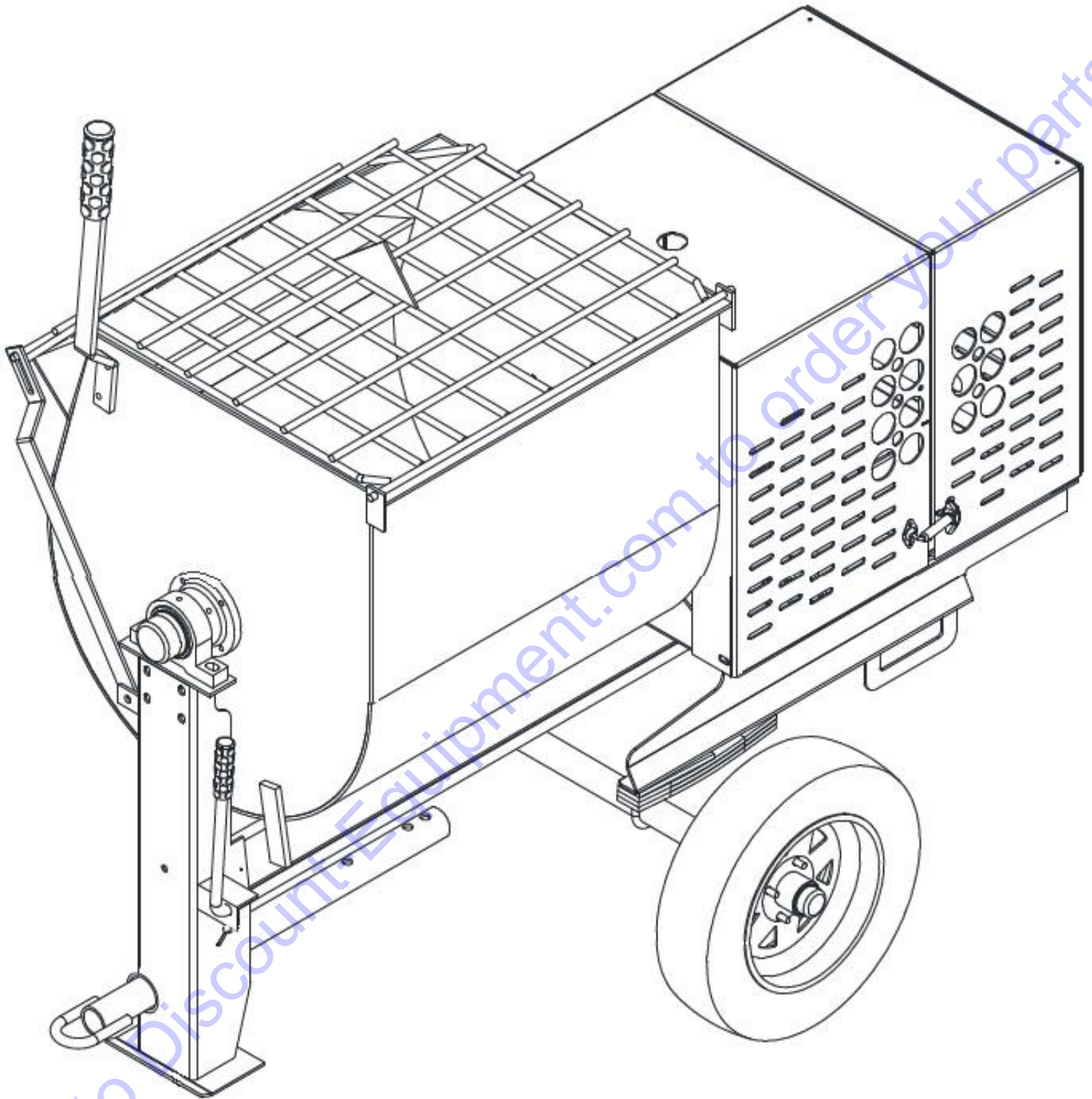


# MM12G - 2020

## PARTS BREAKDOWN



[www.discount-equipment.com](http://www.discount-equipment.com)

# PARTS FINDER

**Search Website  
by Part Number**



**Search Manual  
Library For Parts  
Manual & Lookup Part  
Numbers – Purchase  
or Request Quote**

**Search Manuals**

Enter your information to help us find the right parts manual for your machine.

\* Brand:

\* Model:

\* Serial:

\* Part Number:

SEARCH

**Can't Find Part or  
Manual? Request Help  
by Manufacturer,  
Model & Description**

**Parts Order Form**

Please fill in the following information to help us find the right part for your machine.

MANUFACTURER:

MODEL:

DESCRIPTION:

DATE:

TIME:

PHONE:

EMAIL:

ADDRESS:

CITY:

STATE:

ZIP:

NAME:

PHONE:

EMAIL:

REQUEST FOR QUOTE

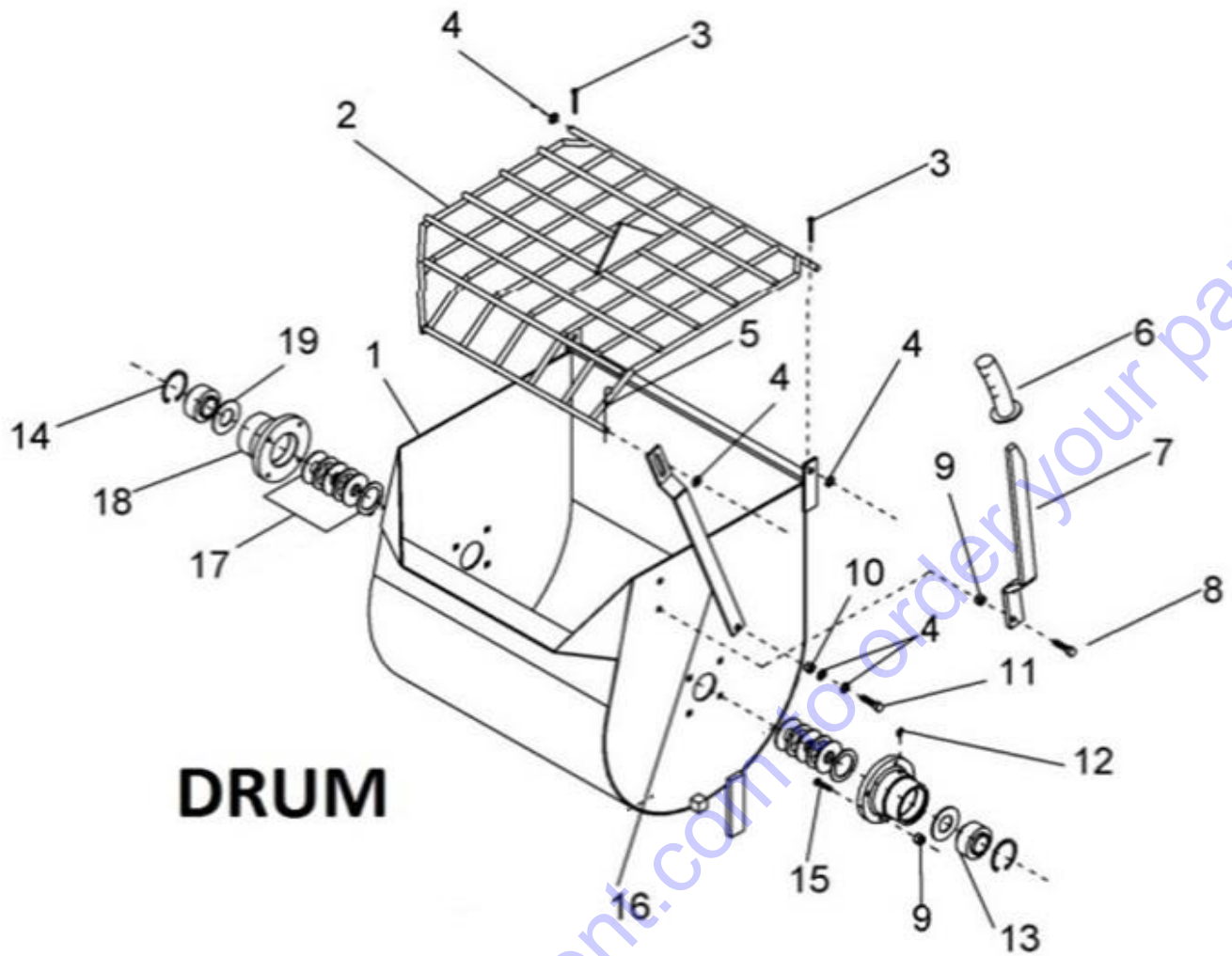
Discount-Equipment.com is your online resource for quality parts & equipment.

Florida: **561-964-4949** Outside Florida TOLL FREE: **877-690-3101**

**Need parts?**

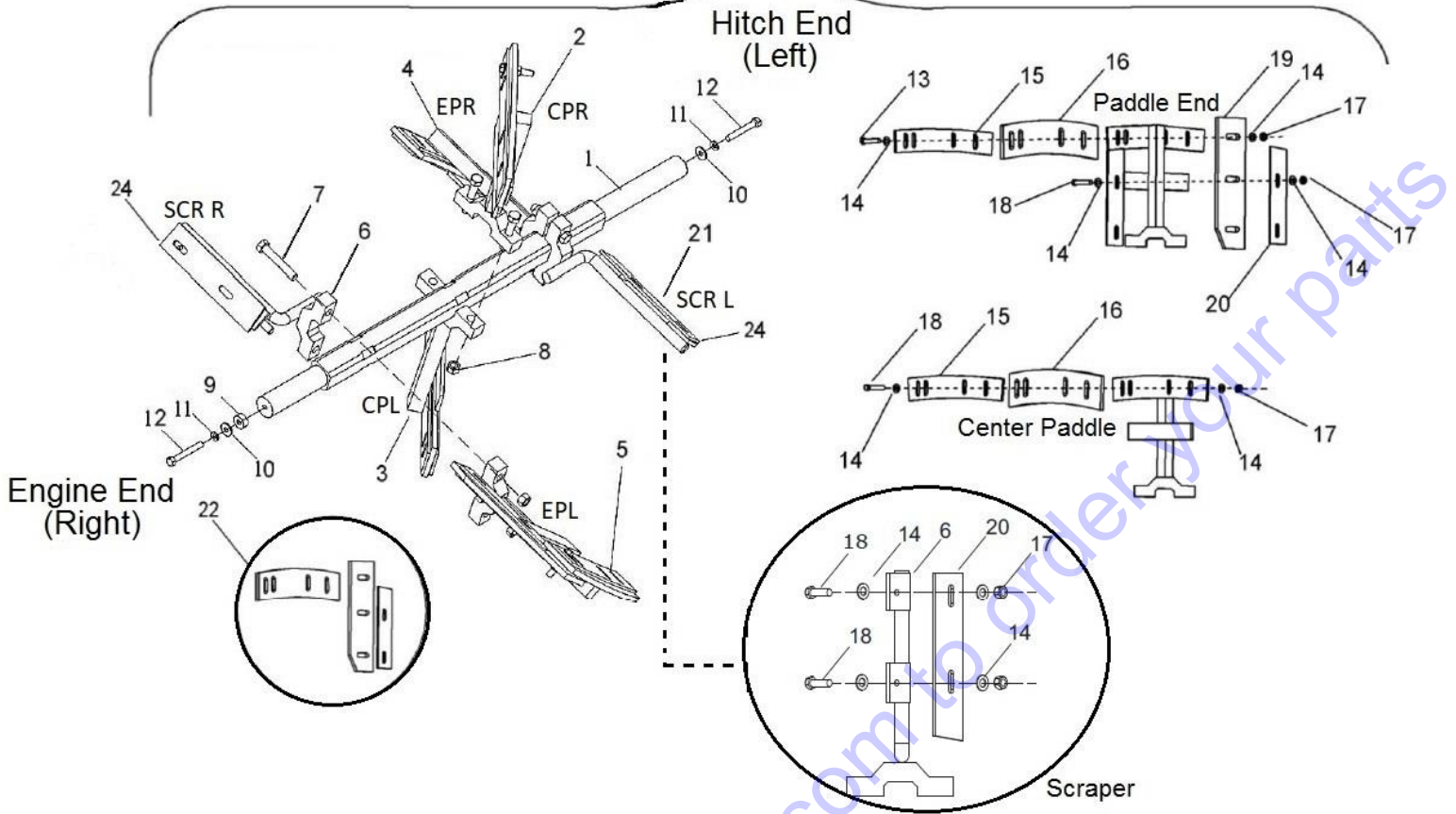
Click on this link: <http://www.discount-equipment.com/category/5443-parts/> and choose one of the options to help get the right parts and equipment you are looking for. Please have the machine model and serial number available in order to help us get you the correct parts. If you don't find the part on the website or on one of the online manuals, please fill out the request form and one of our experienced staff members will get back to you with a quote for the right part that your machine needs.

We sell worldwide for the brands: Genie, Terex, JLG, MultiQuip, Mikasa, Essick, Whiteman, Mayco, Toro Stone, Diamond Products, Generac Magnum, Airman, Haulotte, Barreto, Power Blanket, Nifty Lift, Atlas Copco, Chicago Pneumatic, Allmand, Miller Curber, Skyjack, Lull, Skytrak, Tsurumi, Husquvarna Target, Stow, Wacker, Sakai, Mi-T-M, Sullair, Basic, Dynapac, MBW, Weber, Bartell, Bennar Newman, Haulotte, Ditch Runner, Menegotti, Morrison, Contec, Buddy, Crown, Edco, Wyco, Bomag, Laymor, EZ Trench, Bil-Jax, F.S. Curtis, Gehl Pavers, Heli, Honda, ICS/PowerGrit, IHI, Partner, Imer, Clipper, MMD, Koshin, Rice, CH&E, General Equipment, Amida, Coleman, NAC, Gradall, Square Shooter, Kent, Stanley, Tamco, Toku, Hatz, Kohler, Robin, Wisconsin, Northrock, Oztec, Toker TK, Rol-Air, APT, Wylie, Ingersoll Rand / Doosan, Innovatech, Con X, Ammann, Mecalac, Makinex, Smith Surface Prep, Small Line, Wanco, Yanmar



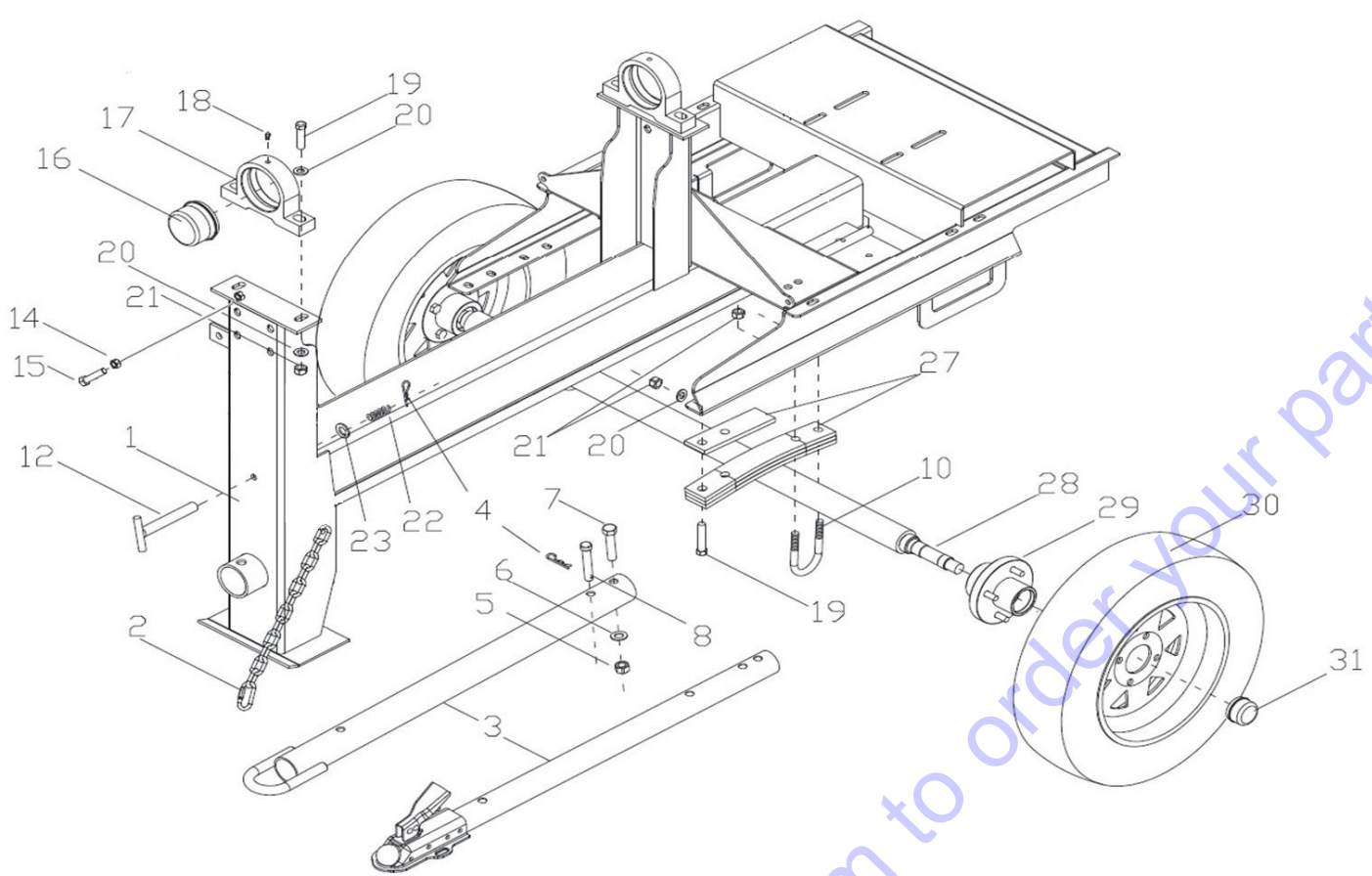
# DRUM

DRUM ASSEMBLY BREAK DOWN				
ITEM	SKU #	PART #	DESCRIPTION	MM12G
1	ASK FOR #	N/A	DRUM MM12G	1
1		T602-G	DRUM ASSEY COMPLETE MM12G	
2	0204CO01RJ	T603	DRUM GRID W/ BAG CUTTER MM12/MM12G - T603	1
3	CHA 316 2	T111	GRID PIN COTTER, 3/16" X 2" - SC3116200GAL - T111	2
4	RNPX012GAL	T105	PLAIN WASHER 1/2" - T105	5
5	0111SR01LZ	T110	GRID/HITCH HAIR LOCK PIN 3/16" - T110	3
*6	0000RF01RJ	T166	CONTROL & DUMPING HANDLE GRIPS - 139350 - T166 <b>(ROUND)</b>	1
6	0000RF01RJ-1	T166-1	DRUM DUMPING HANDLE GRIP - 139350 - T166-1 <b>(FLAT)</b>	1
7	0200CO01TQ	T168	DRUM DUMPING HANDLE W/ GRIP - T168	1
8	TOCD038112	T176	HEX BOLT 3/8" X 1-1/2" - T176 - C141 - 226230	2
9	TCCS038GAL	T114	HEX LOCK NUT 3/8" - 227830 - T114 - C142	10
10	TCCS012GAL	T106	HEX LOCK NUT 1/2" - T106 - 227854 - C304	1
11	TOCD012134	T189	HEX BOLT HD 1/2" X 1 3/4" - T189 - 226660	1
12	0000GRH045	T102	DRUM BEARING, GREASE FITTING 45 DEG - T102 - 110689	2
13	0000BA20824	T175	BALL BEARING, 1746208-108 - 110450 - T175 (W/O GRS FITTING)	2
14	SMQ0300INT	T177	DRUM TRUNNION RETAINING RING 3" - T177	2
15	TOCL038112	T174	CARRIAGE BOLT 3/8" X 1-1/2" GR2 ZP - 117771 - 117771 - T174	8
16	0204SO01RJ	T589	MM12 DRUM DUMPING LOCK BAR - T589	1
17	0200KI01TN	T172	DRUM HUB SEALS KIT (ONE END) - T172	2
18	0200CO01TN	T173-2	TRUNNION 4 HOLES FOR 3/8" SCREWS - T173-2	1
19	0200LA01TN	T169	DRUM HUB STEEL SPACER - T169	2



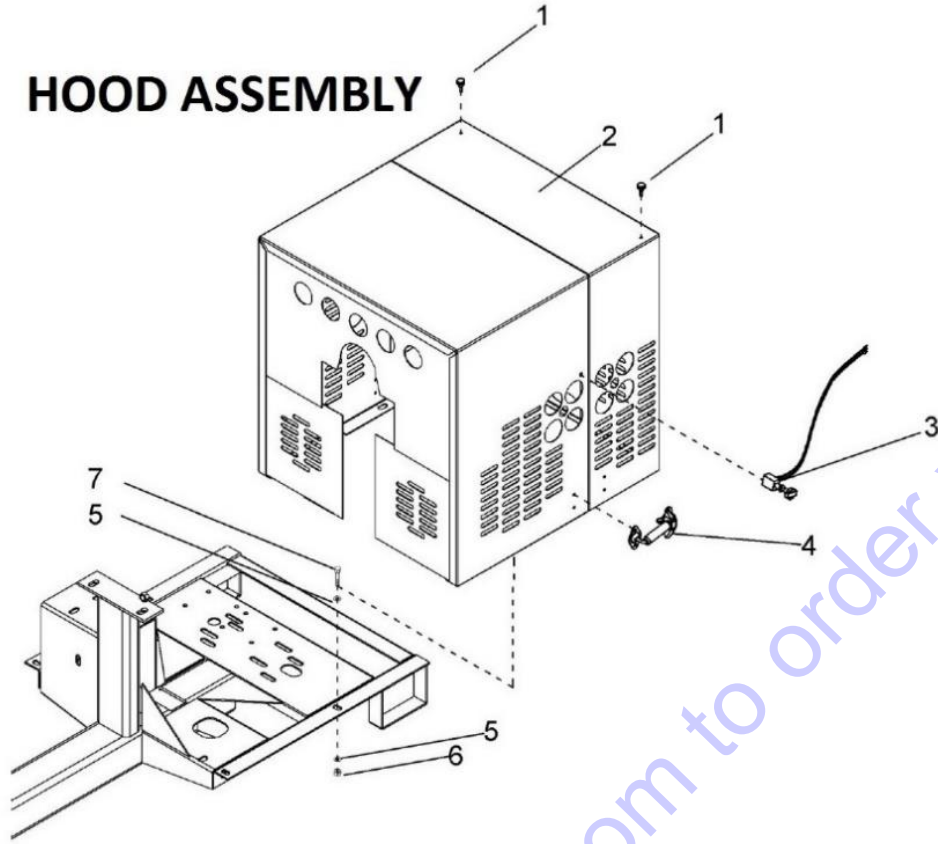
PADDLE ASSEMBLY				
ITEM	SKU #	PART #	DESCRIPTION	MM12G
1	0220CR01FC	T654	SQUARE MAIN SHAFT MM12G 1-3/4" X ##-##/## MM12G - T654	1
2	0204CO01AS-1	T606-2	PADDLE CENTER RIGHT MM12 -MM12G (1" GRIP) - T606-2	1
3	0204CO02AS-1	T408-2	CENTER PADDLE LEFT MM12 - MM12G (1" GRIP) - T408-2	1
4	0204CO04AS-1	T614-2	HITCH END, END PADDLE RIGHT ARM MM12 - MM12G (1" GRIP) T614-2	1
5	0204CO03AS-1	T609-2	ENGINE END, END PADDLE LEFT ARM MM12 - MM12G (1" GRIP) T609-2	1
6	0202CO02RP	T600	ENGINE END, END SCRAPER LEFT MM12 (1" GRIP) - T600	1
7	TOCD012312	N/A	HEX BOLT HD 1/2 X 3-1/2 (1" GRIP PADDLES) - 120520 - 226745	6*
8	TCCS012GAL	T106	HEX LOCK NUT 1/2" - T106 - 227854 - C304	6
9	0200TU01FC	T413	MAIN SHAFT BUSHING - T413	N/A
10	0200PL01FC	T152	MM PADDLE SHAFT PLAIN WASHER 3/16" - T152 - T162	N/A
11	RNRX038GAL	T113	LOCK WASHER 3/8 T113 - C144 -176230	N/A
12	TOFD038100	T116	HEX BOLT 3/8 X 1 NF - 226210 - T116	N/A
13	TOCD038200	T145	HEX BOLT HD, GR5 3/8" X 2" - 226250 - T145- C158	4
14	RNPX038GAL	T112	PLAIN WASHER 3/8" - T112 - C139 - 174986 - 701032 - C140	40
15	0201RF01AS	T180	CENTER PADDLE RUBBER BLADE MM6-MM12 - T186 - T307 - T312	4
16	0200SO01AS	T181	CENTER PADDLE STEEL BLADE MM6 - MM12 - T181 - T187 - T313	4
17	TCCS038GAL	T114	HEX LOCK NUT 3/8" - 227830 - T114 - C142	20
18	TOCD038112	T176	HEX BOLT 3/8" X 1-1/2" - T176 - C141 - 226230	18
19	0200RF02AS	T310	END PADDLE SIDE RUBBER BLADE MM8/MM10/HM12/HM16 - T310	2
20	0200SO02AS	T311	END PADDLE SIDE STEEL BLADE MM80/MM12 - T311	2
21	0202CO01RP	T598	HITCH END, END SCRAPER RIGHT MM12/MM12G (1" GRIP) - T598	1
22	0200KI03AS	T301	RUBBER BLADE KIT MM8-MM12-HM12	1

COMPLETE PADDLE/RUBBER KITS				
#	SKU #	PART #	DESCRIPTION	MM12G
23	0204KI01AS-1	T606-3	COMPLETE PADDLE SET MM12 -MM12G (1" GRIP) - T606-3	1
24		496242	LEFT/RIGHT & STEEL PLATE SCRAPERS MM12 - MM12G	2
25	0204KI01ES	T206-3	MM12S SPIRAL BLADE KIT - T206-3	1

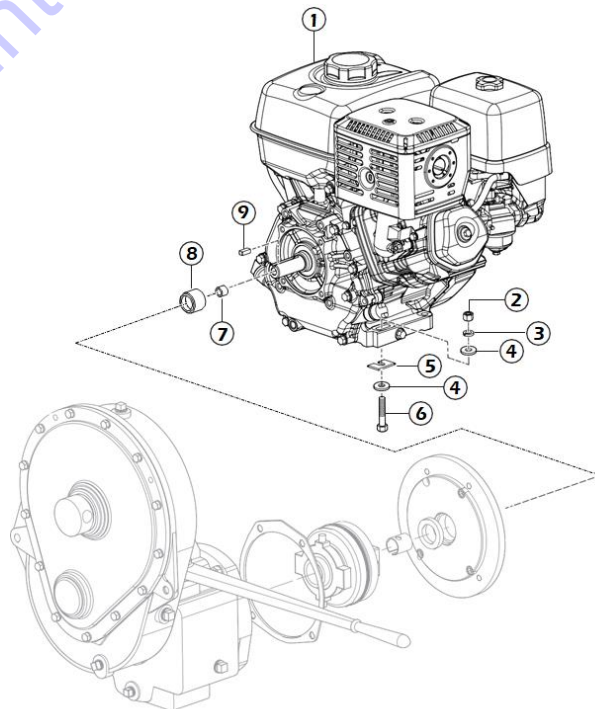


MMG FRAME ASSEY				
#	MANUF. #	PART #	DESCRIPTION ENGLISH	MM12G
1G	0220CO01CH	T675	FRAME MM12G 2020 - T675	1
*	0220CO01CH-1	T675-1	FRAME & DRUM ASSEY MM12G 2020 – (NO ENGINE NOR G.BOX)	1
2G	CAD3516GAL	T501	5/16 SAFETY CHAIN W/ OVAL SNAPS T501 - 609686 - 701012 - CA03316GAL	1
3G	0000CO03LZ	T118-V	PINTLE HITCH VERTICAL HOLE - 702069 - T118 - C193	1
3G	0000CO04LZ	T119-V	2" BALL HITCH VERTICAL HOLE - 702070 - T119	1
4G	0111SR01LZ	T110	3/6" COTTER PIN CP-85H - SR00036EXT - T110 - 134955	1
5G*	TCFN034GAL	T124	TOWING HITCH, HEX NUT, 3/4 NF - 701028 - T124 - C179 (OBSOLETE)	1
5G	TCFN058GAL	T124-1	TOWING HITCH, HEX NUT, 5/8 NF - T124-1 - 701033	1
6G*	RNRX034GAL	T123	TOWING HITCH, SPRING WASHER 3/4" - 174510 - T123 (OBSOLETE)	1
6G	RNRX058GAL	T123-1	TOWING HITCH, SPRING WASHER 5/8" - T123-1 - 701032	1
7G*	TOFD034312	T122	TOWING HITCH, HEX HEAD SCREW 3/4" X 3-1/2" - T122 - C148 - 226272 - 701001 (OBSOLETE)	1
7G	TOFD058312	T122-1	TOWING HITCH, HEX HEAD SCREW 5/8" X 3-1/2" - T122-1 - 701035	1
8G*	0000CR01LZ	T121	TOWING HITCH, LOCK PIN - T121 - C169 - 496088 - 702078 (OBSOLETE)	1
8G	TOFD058312-A	T121-1	TOWING HITCH, LOCK PIN - T121-1 - 701031	1
12G	0200CO01CH	T107	TOWING/DUMPING LOCK PIN - T107	1
14G	TCCN012GAL	T190	HEX LOCK NUT 1/2" - T190 - C178 (WELDED TO THE FRAME)	3
15G	0220FG02AC	T684	ARM, LEVER 6SR-S12S/MM12G (R3) LEVER ARM - T684 - 496049	1
16G	00PE056112	T683	PIN SPR SL STD 5/16 X 1 - 1/2" - 135282 - T683	1
17G	00CHPI2300	T101	3" DRUM PILLOW BLOCK - T101	2
18G	0000GRH045	T102	DRUM BEARING, GREASE FITTING 45 DEG - T102 - 110689	2
19G	TOCD012212	T104	HEX BOLT HD 1/2" X 2-1/2" - T104 - C146 - 226690	4
20G	RNPX012GAL	T105	PLAIN WASHER 1/2" - T105 - C172 - 174470	6
21G	TCCS012GAL	T106	HEX LOCK NUT 1/2" - T106 - 227854 - C304	12
22G	0000RF01CH	T109	TOWING/DUMPING, LOCK PIN SPRING - T109	1
23G	RNPX034GAL	T108	PLAIN WASHER 3/4" X 1-1/2" - 174996 - T108 - 248277	1
27G	0000RF03CH	C165	SET AXLE LEIFS SPRINGS FOR CM - C165	2
28G	0222CO01RD	T381	AXLE MM12G NO HUBS	1
28G	0222CO01RD-1	T381-1	AXLE ASSEMBLY MM12G W/HUBS	1
29G	0200KI03RD	T129-1	WHEEL HUB W/ 1" BRG L44643 & DUST CAP - 702071 - T129 - C135 (NEW STYLE)	2
30G	0000CO01RD	T137	WHEEL & TIRE ASSY 165-80 R13" - T137 - 431081 - C136	2
31G	0000RF10RD	T136-1	HIGH SPEED WHEELS HUB, DUST CAP (NEW STYLE) - T136-1	2

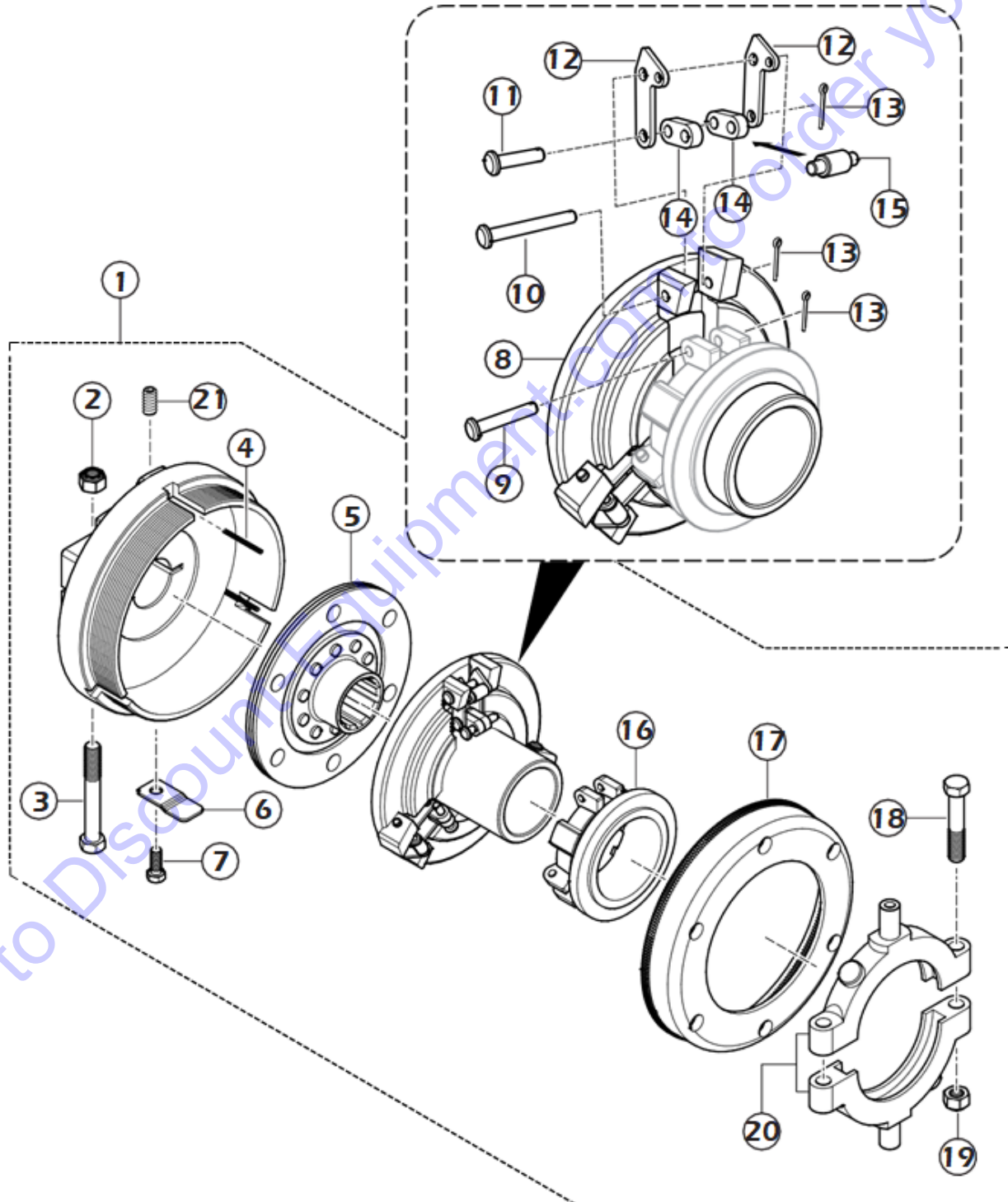
# HOOD ASSEMBLY



HOOD ASSEMBLY					
#	MANUF. #	PART #	DESCRIPTION	MM12	MM12G
1	0000RF01GA	T158	RUBBER SCREW 1/4" FOR SHROUD - T158 - C159 - 201544	2	2
2	0221CO01GA	T601	MM12 SQUARE SHROUD ASSEY (BLACK) - T601 - T157-12	1	
2	0220CO01GA	T601G	MM12G SQUARE SHROUD ASSEY (BLACK) - T601G		1
3	0200KI01GA	T193	ENGINE KILL SWITCH ASSEY <b>RED</b> (WITH HARNESS) 701007 - T193	1	1
3	0200KI01GA	T195-1	ENGINE N.O KILL SWITCH <b>RED</b> (NO HARNESS) - 816769AS - 112500 - T195-1 - 290100	1	1
4	0000RF02GA	T160	SHROUD HOOK ASSEMBLY - T160 - C161 - 701004 - 201543	2	2
5	RNPX038GAL	T112	PLAIN WASHER 3/8" - T112 - C139 - 174986 - 701032 - C140	8	8
6	TCCS038GAL	T114	HEX LOCK NUT 3/8" - 227830 - T114 - C142	4	4
7	TOCD038112	T176	HEX BOLT 3/8" X 1-1/2" - T176 - C141 - 226230	4	4
8G	ASK FOR #		ENGINE SHROUD SERVICE LID	N/A	1



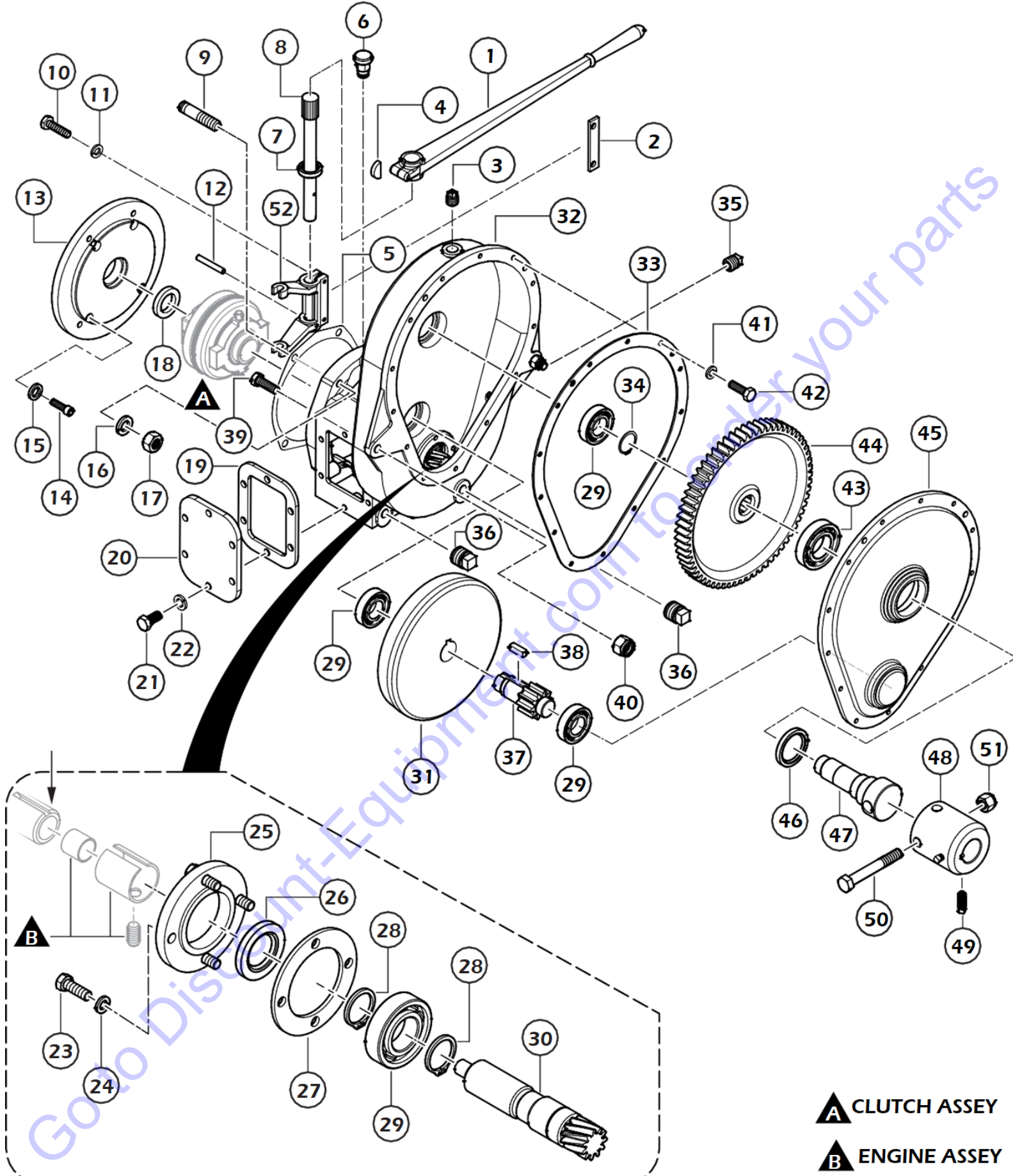
ENGINE ASSEY MMG				
#	SKU #	PART #	DESCRIPTION	MM12G
1G	202018M		ENGINE, HONDA GX390U1QA2 13HP MODIFIED FOR MM12G	1
2G	CALL FOR #		NUT, HEX 3/8"	4
3G	CALL FOR #		WASHER, LOCK 3/8" DIA	4
4G	CALL FOR #		WASHER, FLAT 3/8"	8
5G	TK511122		FITTING, ENGINE	2
6G	CALL FOR #		SCREW CAP 3/8"	4
7G	TK801570		BRONZE PILOT BUSHING FOR MM12G ENGINE	1
8G	TK203040		13376 ENGINE SLEEVES FOR MM12G	1
9G	CALL FOR #		KEY, 1/4" X 5/16" X 1"	1



CLUTCH ASSEY MMG				
#	SKU #	PART #	DESCRIPTION	MM12G
1G	TK934022		MM12G CLUTCH ASSEMBLY	1
2G	CALL FOR #		NUT, NYLOC 5/16-24	1
3G	CALL FOR #		BOLT, 5/16-24 X 1-3/4" HEX	1
4G	TK918009		SPRING, RELEASE	3
5G	TK934041		SPLINDER DRIVEN MEMBER	1
6G	TK934040		LOCK, ADJUSTING	1
7G	CALL FOR #		BOLT HHCS 1/4-20 X 1/2"	1
8G	TK934042		PRESSURE PLATE	1
9G	TK925013		PIN 3/16 X 1-3/8	3
10G	TK925016		PIN 3/15 X1	3
11G	TK925018		PIN 3/16 X 3/4	3
12G	TK959012		CLUTCH LEVER	6
13G	CALL FOR #		COTTER PIN 1/16D X 1/2	9
14G	TK934053		CONNECTING LINK	6
15G	TK934054		CLUTCH ROLLER	3
16G	TK934032		RELEASE SLEEVE	1
17G	TK934045		ADJUSTING RING	1
18G	CALL FOR #		BOLT 5/16-24 X 1-3/4 HEX	2
19G	CALL FOR #		NUT, NYLOC 5/16-24	2
20G	TK934044		RELEASE BEARING ASSEMBLY	1
21G	CALL FOR #		SET SCREW 5/16-18 1/2	1

Go to Discount-Equipment.com to order your parts





**A** CLUTCH ASSEY

**B** ENGINE ASSEY

TRANSM. ASSEY MM12G				
#	SKU #	PART #	DESCRIPTION	MM12G
G	TK600000		COMP. TRANSMISSION ASSY	1
1G	TK600018		SHIFTER LEVER FOR MM12G	1
2G	TK600024		LOCK PLATE	1
3G	TK922356		GEARBOX CASE BREATHER	1
4G	TK927048		KEY, WOODRUFF (NOT SAME AS EM12)	1
5G	TK801965		GASKET	1
6G	TK511233		BREATHER	1
7G	TK914005		OIL SEAL	1
8G	TK600029		SHIFTER SHAFT	1
9G	TK300999		GEARBOX HOUSING STUD	4
10G	CALL FOR #		HHCS 1/4-20X1	2
11G	CALL FOR #		LOCK, WASHER 1/4	2
12G	1729		ROLL PIN 1729	1
13G	TK203038		ADAPTER PLATE KIT, HONDA	1
14G	CALL FOR #		SCREW, SHCS 3/8-16 X 1-1/4 PLTD	4
15G	CALL FOR #		WASHER, COPPER	4
16G	CALL FOR #		LOCK, WASHER 1/16-14	4
17G	CALL FOR #		HHCS 1/4-14	4
18G	TK13377		OIL SEAL 13377	1
19G	TK600026		SHIFTER COVER GASKET	1
20G	TK931233		COVER PLATE	1
21G	CALL FOR #		HHCS 3/8-16 X 3/4	4
22G	CALL FOR #		LOCK, WASHER 3/8	4
23G	CALL FOR #		HHCS 5/16-18X1	4
24G	CALL FOR #		LOCK, WASHER 5/16	4
25G	TK600023		BEARING RETAINER	1
26G	TK914209		OIL SEAL	1
27G	TK600022		GASKET, RETAINER	1
28G	CALL FOR #		SNAP RING	2
29G	TK902091		BALL BEARING	4
30G	TK600016		INPUT SHAFT	1
31G	TK600020		INTERNAL GEAR	1
32G	TK600012		TRANSMISSION HOUSING	1
33G	TK600021		TRANSM. GASKET COVER	1
34G	TK926036		SNAP RING	1
35G	TK511064		SQUARE HEAD PLUG 1/2"	1
36G	TK911329		SQUARE PIPE PLUG 3/8"	2
37G	TK600131		OUTPUT DRIVE PINION	1
38G	TK010062		SQUARE KEY 3/8" X 3/8"	1
39G	CALL FOR #		HHCS 1/2-13 X 1-1/2	1
40G	CALL FOR #		1/2-13 NYLOC NUT	1
41G	CALL FOR #		LOCK, WASHER 5/16	17
42G	TK0202		HHCS 5/16-18 X 1	17
43G	TK902161		BALL BEARING	1
44G	TK600133		OUTPUT SHAFT GEAR	1
45G	TK600014		TRANSMISSION COVER	1
46G	TK914207		OIL SEAL	1
47G	TK600015		OUTPUT SHAFT	1
48G	TK200255		PADDLE SHAFT CONNECTOR FOR TK MM12G (NOT SAME AS EM12)	1
49G	TK961019		SQUARE HHS 3/8 X 1-1/4	2
50G	TK963157		BOLT, 5/8 G5 ONLY (SHEAR PIN)	1
51G	TK969085		NUT, NYLOC 5/8	1
52G	TK600028		CLUTCH YOKE	1



# PARTS FINDER

**Search Website  
by Part Number**



**Search Manual  
Library For Parts  
Manual & Lookup Part  
Numbers – Purchase  
or Request Quote**

**Search Manuals**

Enter your information to help us find the right parts manual for your machine.

\* Brand:

\* Model:

\* Serial:

\* Part Number:

SEARCH

**Can't Find Part or  
Manual? Request Help  
by Manufacturer,  
Model & Description**

**Parts Order Form**

Please fill in the following information to help us find the right part for your machine.

Manufacturer:	<input type="text"/>
Model:	<input type="text"/>
Description:	<input type="text"/>
Part Number:	<input type="text"/>
Quantity:	<input type="text"/>
Notes:	<input type="text"/>

Submit

Discount-Equipment.com is your online resource for quality parts & equipment.

Florida: **561-964-4949** Outside Florida TOLL FREE: **877-690-3101**

**Need parts?**

Click on this link: <http://www.discount-equipment.com/category/5443-parts/> and choose one of the options to help get the right parts and equipment you are looking for. Please have the machine model and serial number available in order to help us get you the correct parts. If you don't find the part on the website or on one of the online manuals, please fill out the request form and one of our experienced staff members will get back to you with a quote for the right part that your machine needs.

We sell worldwide for the brands: Genie, Terex, JLG, MultiQuip, Mikasa, Essick, Whiteman, Mayco, Toro Stone, Diamond Products, Generac Magnum, Airman, Haulotte, Barreto, Power Blanket, Nifty Lift, Atlas Copco, Chicago Pneumatic, Allmand, Miller Curber, Skyjack, Lull, Skytrak, Tsurumi, Husquvarna Target, Stow, Wacker, Sakai, Mi-T-M, Sullair, Basic, Dynapac, MBW, Weber, Bartell, Bennar Newman, Haulotte, Ditch Runner, Menegotti, Morrison, Contec, Buddy, Crown, Edco, Wyco, Bomag, Laymor, EZ Trench, Bil-Jax, F.S. Curtis, Gehl Pavers, Heli, Honda, ICS/PowerGrit, IHI, Partner, Imer, Clipper, MMD, Koshin, Rice, CH&E, General Equipment, Amida, Coleman, NAC, Gradall, Square Shooter, Kent, Stanley, Tamco, Toku, Hatz, Kohler, Robin, Wisconsin, Northrock, Oztec, Toker TK, Rol-Air, APT, Wylie, Ingersoll Rand / Doosan, Innovatech, Con X, Ammann, Mecalac, Makinex, Smith Surface Prep, Small Line, Wanco, Yanmar