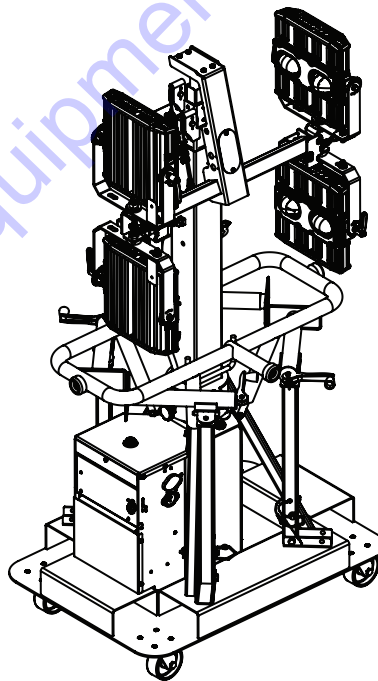


(en) **Parts Manual**
NIGHT-LITE™ E-SERIES



www.discount-equipment.com



PARTS FINDER

**Search Website
by Part Number**



**Search Manual
Library For Parts
Manual & Lookup Part
Numbers – Purchase
or Request Quote**

Search Manuals

Enter your information to help us find the right parts manual for your machine.

* Brand:

* Model:

* Serial:

* Part Number:

SEARCH

**Can't Find Part or
Manual? Request Help
by Manufacturer,
Model & Description**

Parts Order Form

Please fill in the following information to help us find the right part for your machine.

Manufacturer:	<input type="text"/>
Model:	<input type="text"/>
Description:	<input type="text"/>
Part Number:	<input type="text"/>
Quantity:	<input type="text"/>
Notes:	<input type="text"/>

Submit

Discount-Equipment.com is your online resource for quality parts & equipment.

Florida: **561-964-4949** Outside Florida TOLL FREE: **877-690-3101**

Need parts?

Click on this link: <http://www.discount-equipment.com/category/5443-parts/> and choose one of the options to help get the right parts and equipment you are looking for. Please have the machine model and serial number available in order to help us get you the correct parts. If you don't find the part on the website or on one of the online manuals, please fill out the request form and one of our experienced staff members will get back to you with a quote for the right part that your machine needs.

We sell worldwide for the brands: Genie, Terex, JLG, MultiQuip, Mikasa, Essick, Whiteman, Mayco, Toro Stone, Diamond Products, Generac Magnum, Airman, Haulotte, Barreto, Power Blanket, Nifty Lift, Atlas Copco, Chicago Pneumatic, Allmand, Miller Curber, Skyjack, Lull, Skytrak, Tsurumi, Husquvarna Target, Stow, Wacker, Sakai, Mi-T-M, Sullair, Basic, Dynapac, MBW, Weber, Bartell, Bennar Newman, Haulotte, Ditch Runner, Menegotti, Morrison, Contec, Buddy, Crown, Edco, Wyco, Bomag, Laymor, EZ Trench, Bil-Jax, F.S. Curtis, Gehl Pavers, Heli, Honda, ICS/PowerGrit, IHI, Partner, Imer, Clipper, MMD, Koshin, Rice, CH&E, General Equipment, Amida, Coleman, NAC, Gradall, Square Shooter, Kent, Stanley, Tamco, Toku, Hatz, Kohler, Robin, Wisconsin, Northrock, Oztec, Toker TK, Rol-Air, APT, Wylie, Ingersoll Rand / Doosan, Innovatech, Con X, Ammann, Mecalac, Makinex, Smith Surface Prep, Small Line, Wanco, Yanmar

TABLE OF CONTENTS

1.0 TOWER BASE GROUP

Outriggers	(1.1)
Tube Handle and Casters	(1.2)
Tower Base Pedestal and Covers	(1.3)

2.0 TOWER GROUP

C1000 Electric Winch Vertical Tower Section 1	(2.1)
SH 1000 Electric Winch Vertical Tower Section 1	(2.2)
Vertical Tower Section 2	(2.3)
Vertical Tower Section 2	(2.4)
Vertical Tower Section 2	(2.5)
Vertical Tower Round Section and Light Bar	(2.6)

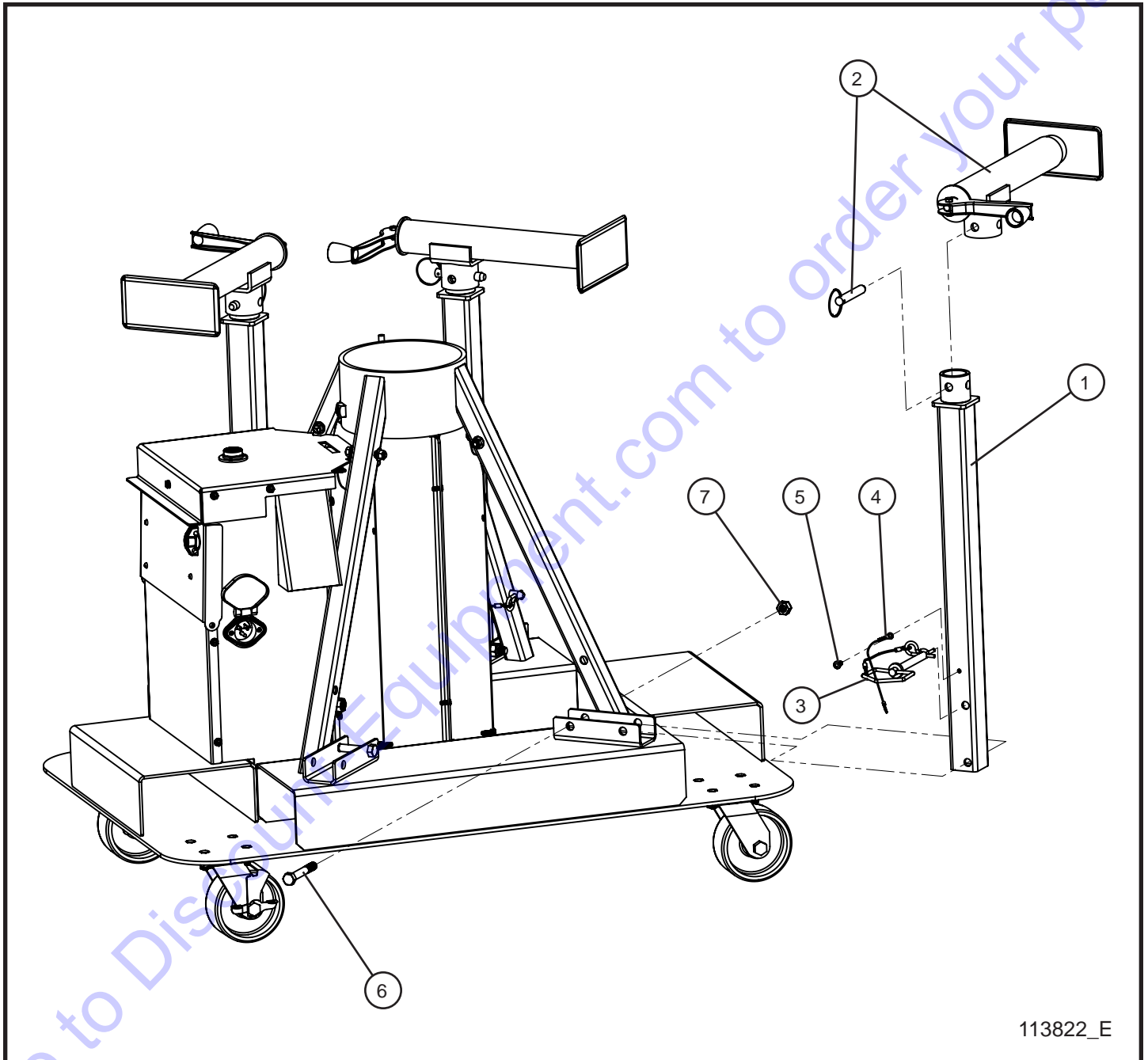
3.0 ELECTRICAL AND LIGHTING GROUP

Component Box	(3.1)
Tower Cord and Light Bar Cord Grips	(3.2)

4.0 DECALS

Control Box Front and Door Decals	(4.1)
Outlet Side and Light Bar Decals	(4.2)
Opposite Side and Winch Cable Cover Decals	(4.3)
Top View Decals	(4.4)

1.1 - Outriggers



113822_E

NIGHT-LITE™ E-SERIES

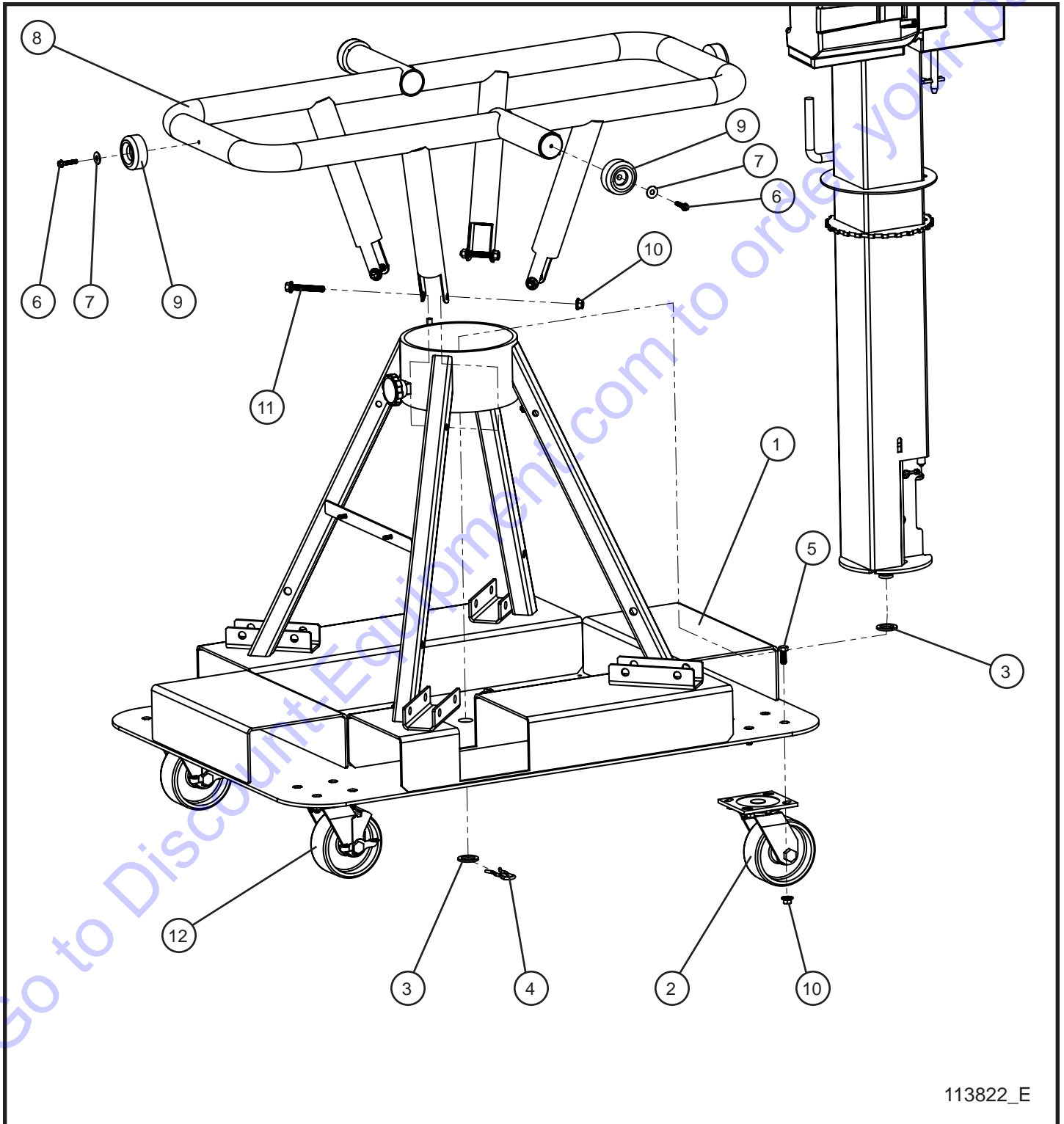
SN 45-000001 and UP

1.1 - Outriggers

Item	Part No.	Part Description	Qty.
1	112350P	OUTRIGGER WELDMENT NLE	4
2	108726	TOP CRANK TUBE MOUNT JACK	4
3	107385	HITCH PIN	4
4	712061	STEEL LANYARD SAFETY PIN	4
5	110256	TRIM PANEL RETAINER	4
6	046215	1/2-13 x 3 1/2 HEX HEAD	4
7	044048	1/2-13 NYLOCK HEX NUT	4

Go to Discount-Equipment.com to order your parts

1.2 - Tube Handle and Casters



113822_E

NIGHT-LITE™ E-SERIES

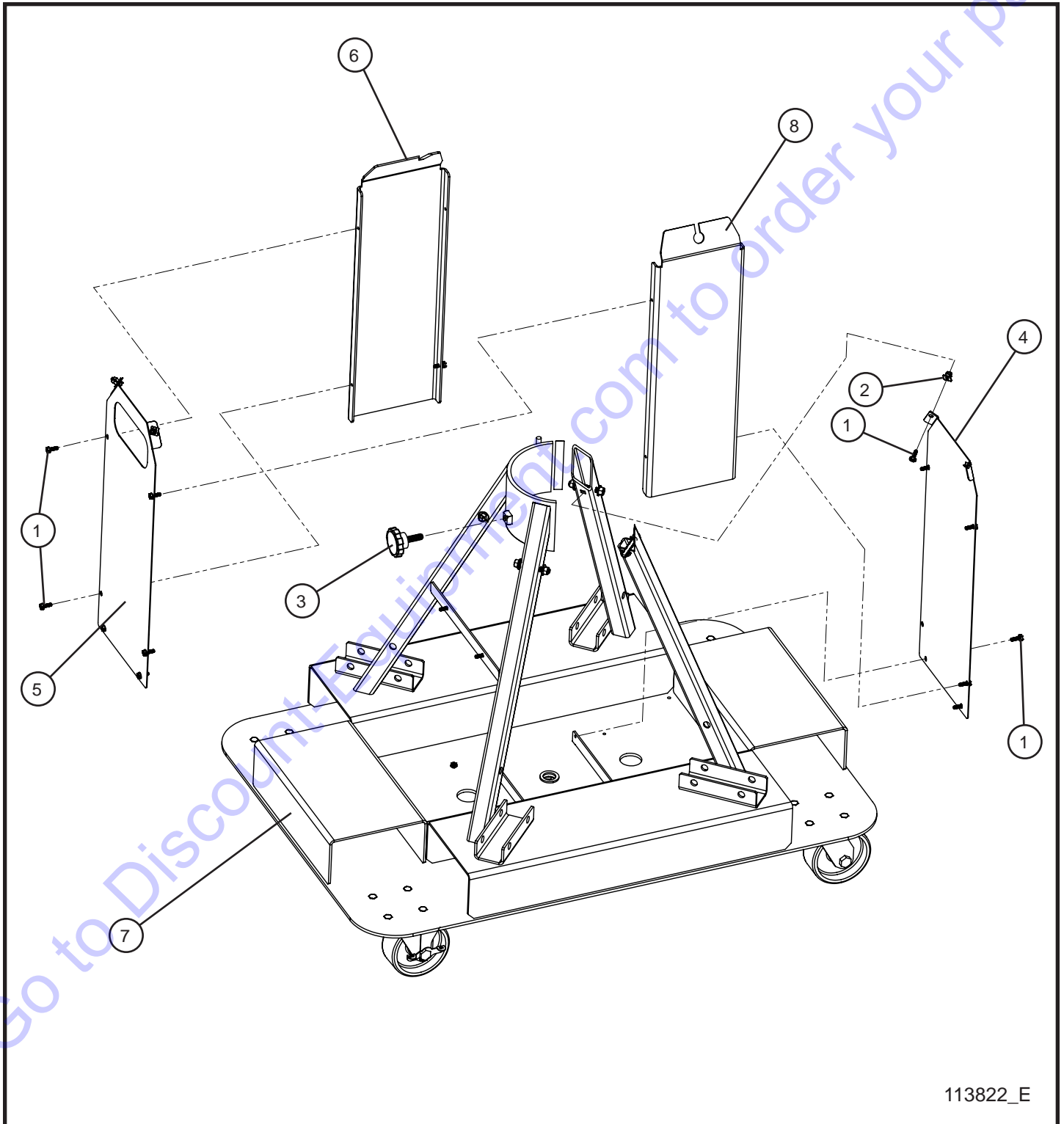
SN 45-000001 and UP

1.2 - Tube Handle and Casters

Item	Part No.	Part Description	Qty.
1	112344P	FRAME BASE	1
2	113331	5 INCH CASTER SEALED BEARINGS	2
3	047055	1" ID NARROW RIM PLATED MACHINE BUSHING	2
4	620545	3/4 HAIR PIN CLIP PLATED	1
5	046110	3/8-16 x 1 HEX HEAD	16
6	041072	1/4-20 x 1 1/4 SLOTTED HEX WASHER HEAD	4
7	047010	5/16 FLAT WASHER	4
8	113374P	TUBE HANDLE WELDMENT	1
9	711032	BUMPER RUBBER SIGN REST	4
10	044029	3/8-16 SERRATED FLANGE NUT	20
11	056011	3/8-16 x 2 1/2 SERRATED FLANGE HEX HEAD SCREW	4
12	114848	5 INCH BRAKE CASTER SEALED BEARING	2

Go to Discount-Equipment.com to order your parts

1.3 - Tower Base Pedestal and Covers



NIGHT-LITE™ E-SERIES

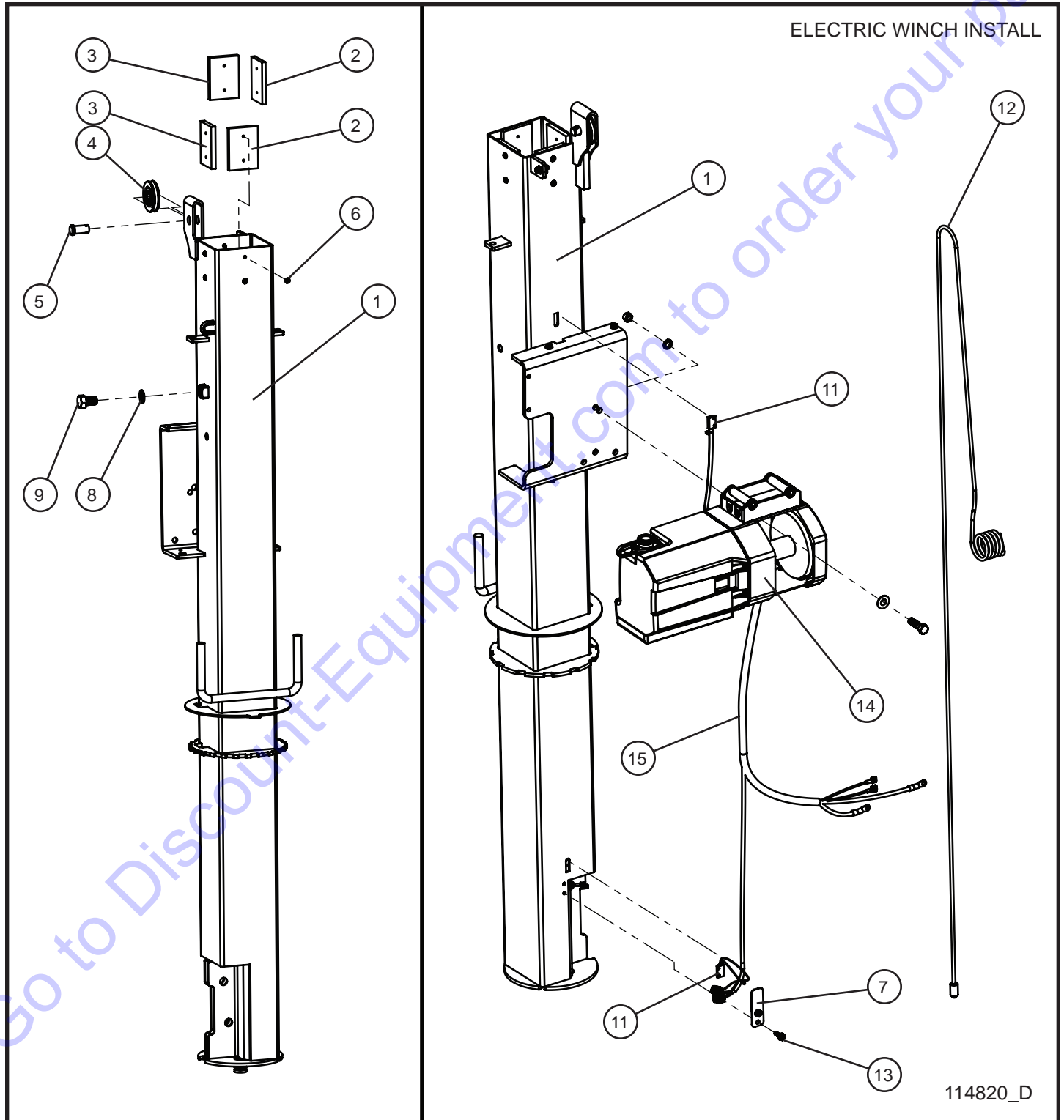
SN 45-000001 and UP

1.3 - Tower Base Pedestal and Covers

Item	Part No.	Part Description	Qty.
1	041070	1/4-20 x 3/4 SLOTTED HEX WASHER HEAD	20
2	105408	GROMMET NUT DOUBLE SPLIT	4
3	620550	LOCKING KNOB	1
4	113270P	BACK COVER TOWER PEDESTAL	1
5	113269P	FRONT COVER TOWER PEDESTAL	1
6	113272P	SIDE COVER TOWER PEDESTAL	1
7	112344P	FRAME BASE	1
8	113271P	CORD SIDE COVER TOWER PEDESTAL	1

Go to Discount-Equipment.com to order your parts

2.1 - C1000 Electric Winch Vertical Tower Section 1 (1 of 2)



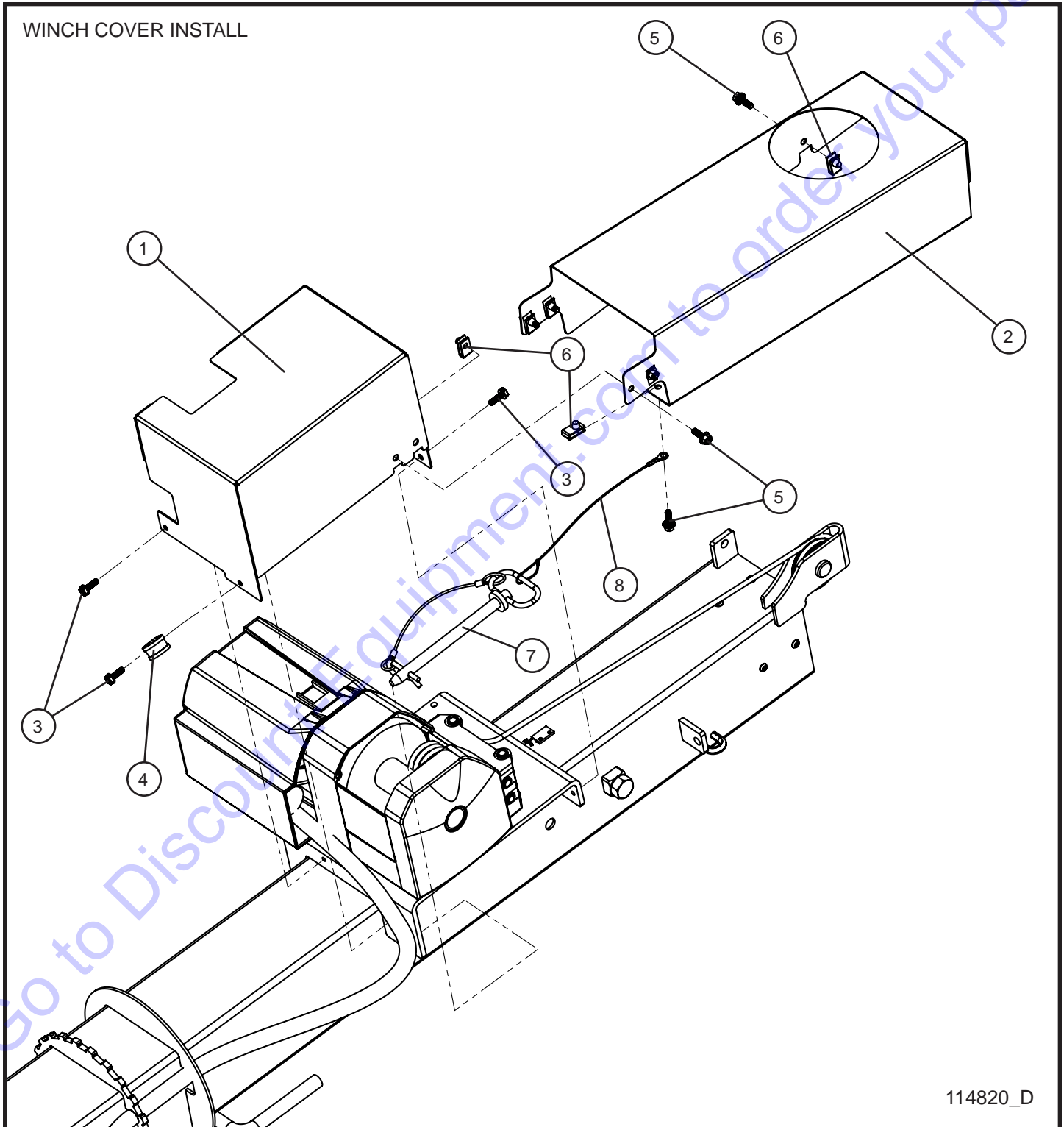
NIGHT-LITE™ E-SERIES

SN 45-000001 and UP

2.1 - C1000 Electric Winch Vertical Tower Section 1 (1 of 2)

Item	Part No.	Part Description	Qty.
1	111086P	ELECTRIC WINCH TOWER 5 INCH SECTION	1
2	650110	.312 TOWER PAD	2
3	650109	.375 TOWER PAD	2
4	100160	2 1/2 PULLEY BALL BEARING	1
5	033000	5/8 x 1 SLIC PIN	1
6	041023	#10 x 3/8 PH-ROUND HEAD MS PL	8
7	115136P	LOWER LIMIT SWITCH HOLD DOWN	1
8	043100	5/8 INTL TOOTHLOCK WASHER PL	1
9	046242	5/8-11 x HEX HEAD CS GR5 PL	1
11	109993	MAGNETIC LIMIT SWITCH	1
12	109998	ELECTRIC WINCH CABLE	1
13	041070	1/4-20 x 3/4 SLOTTED HEX WASHER HEAD	2
14	114869	ELECTRIC WINCH ASSEMBLY	1
	109992	ELECTRIC WINCH C1000 (WINCH ONLY)	1
15	114860	NLE /NLV ELECTRIC WINCH HARNESS	1
NS	112290	50AMP SHORT SHOP BREAKER	1
NS	115148	MOUNTING HARDWARE	1
NS	115322	FILLER BLOCK	1
NS	115323	M4 x 0.7 x 8mm SCREW-STPH	1
NS	115324	8-16 x 1/2 BLACK SCREW	1
NS	115325	TYPE 6 W/S BRK CONTACTOR ASSY	1
NS	115326	MOTOR COVER	1
NS	115327	SET CUP POINT SCREW	1
NS	115328	12V DC66P CONTACTOR RELAY	1
NS	116380	M6-1.0 SPACER TERMINAL SOLENOID	1
NS	117470	NLE ELECTRIC WINCH C1000 SCHEMATIC	1

2.1 - C1000 Electric Winch Vertical Tower Section 1 (2 of 2)



NIGHT-LITE™ E-SERIES

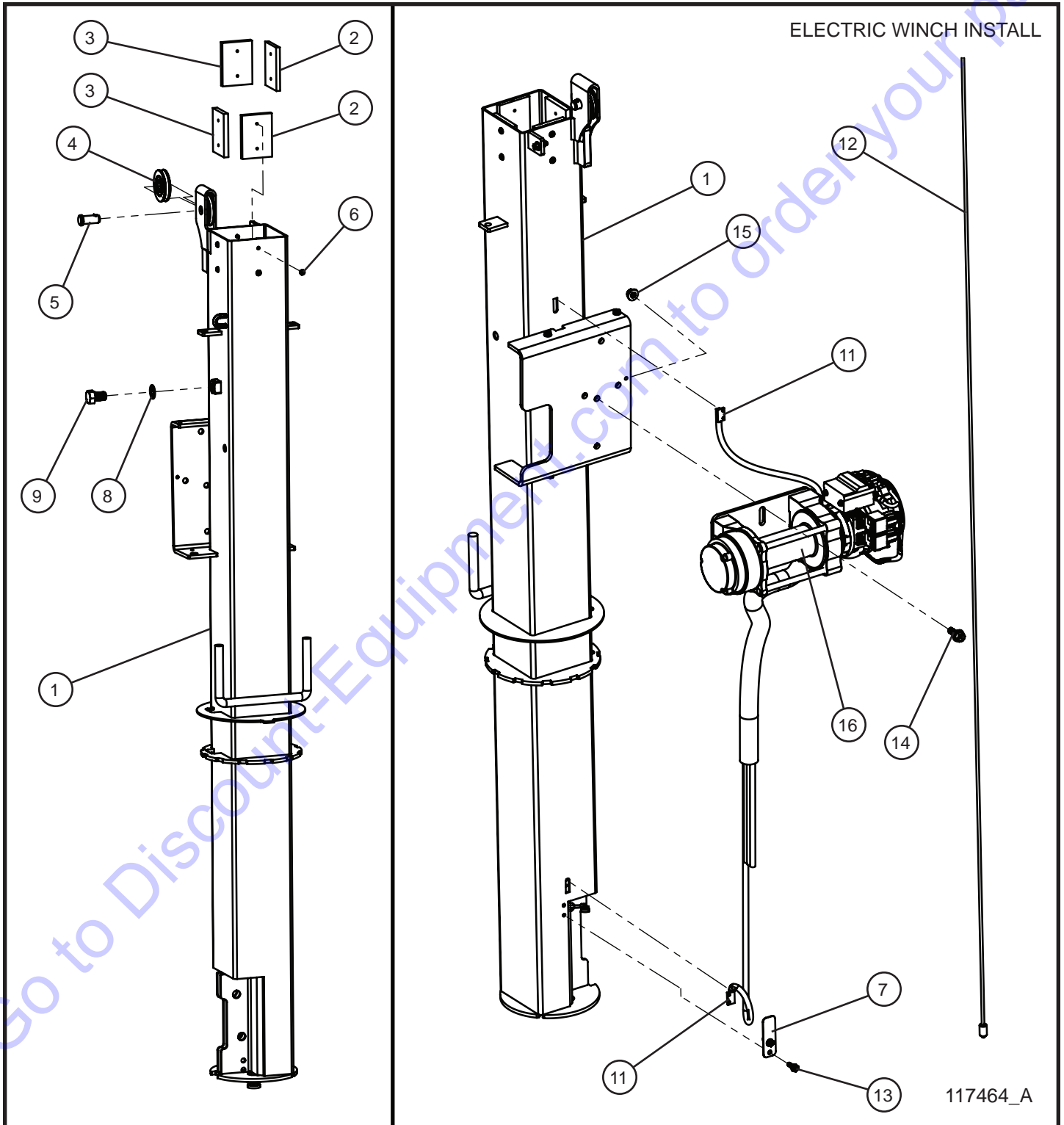
SN 45-000001 and UP

2.1 - C1000 Electric Winch Vertical Tower Section 1 (2 of 2)

Item	Part No.	Part Description	Qty.
1	110214P	ELECTRIC WINCH COVER PLATE	1
2	113174P	ELECTRIC WINCH CABLE COVER	1
3	041070	1/4-20 x 3/4 SLOTTED HEX WASHER HEAD	4
4	022024	#12 CUSHION CLAMP	1
5	056002	1/4-20 x 3/4 HEX SERRATED FLANGE SCREW	6
6	044106	1/4-20 EXTRUDED U NUT	6
7	113336	6-1/2 INCH HITCH PIN	1
8	712061	STEEL LANYARD SAFETY PIN	1

Go to Discount-Equipment.com to order your parts

2.2 - SH 1000 Electric Winch Vertical Tower Section 1 (1 of 2)



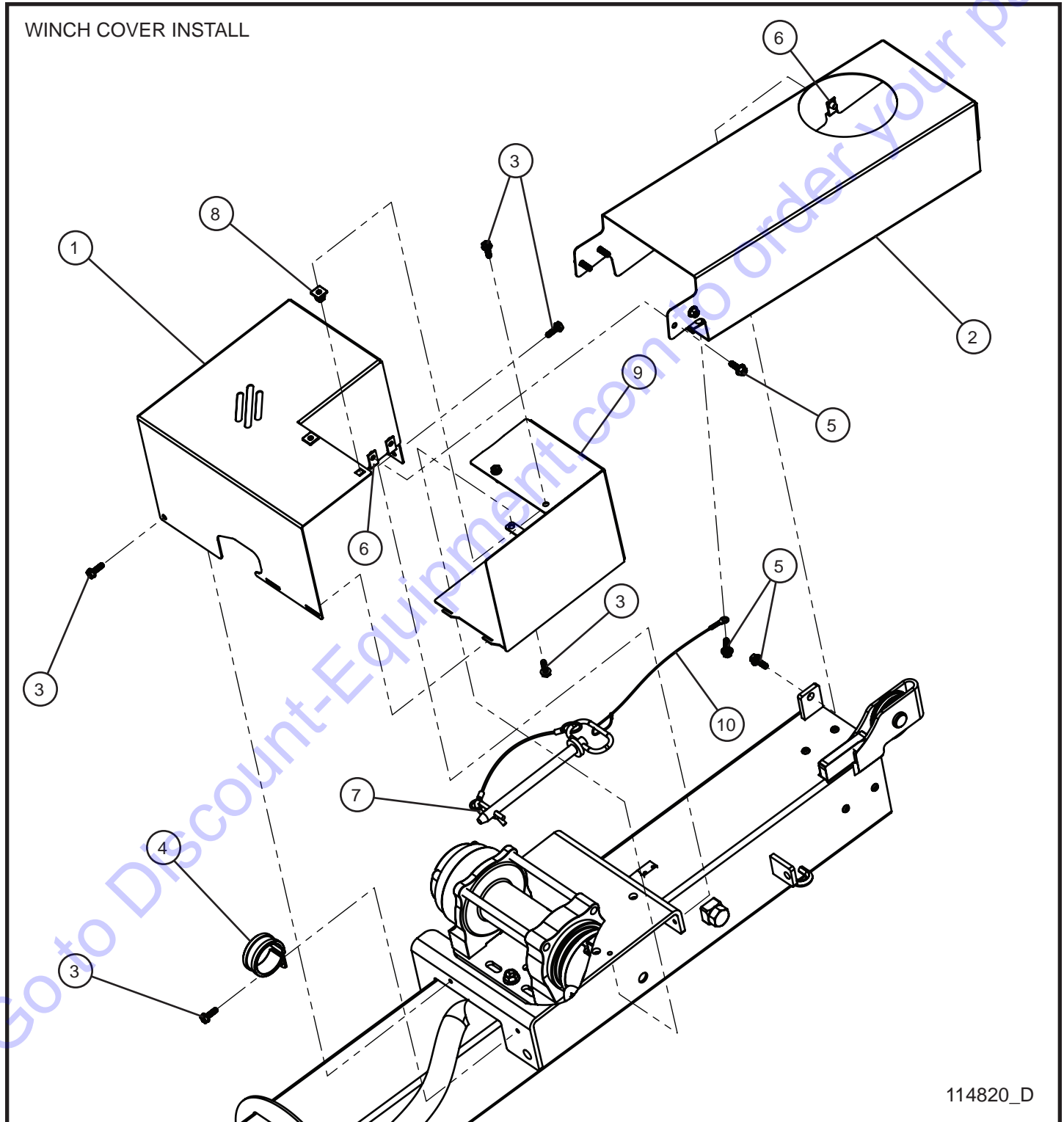
NIGHT-LITE™ E-SERIES

SN 45-000001 and UP

2.2 - SH 1000 Electric Winch Vertical Tower Section 1 (1 of 2)

Item	Part No.	Part Description	Qty.
1	111086P	ELECTRIC WINCH TOWER 5 INCH SECTION	1
2	650110	.312 TOWER PAD	2
3	650109	.375 TOWER PAD	2
4	100160	2 1/2 PULLEY BALL BEARING	1
5	033000	5/8 x 1 SLIC PIN	1
6	041023	#10 x 3/8 PH-ROUND HEAD MS PL	8
7	115136P	LOWER LIMIT SWITCH HOLD DOWN	1
8	043100	5/8 INTL TOOTHLOCK WASHER PL	1
9	046242	5/8-11 x HEX HEAD CS GR5 PL	1
11	109993	MAGNETIC LIMIT SWITCH	2
12	620076	TOP CABLE	1
13	041070	1/4-20 x 3/4 SLOTTED HEX WASHER HEAD	2
14	056010	3/8-16 x 1 SERRATED FLANGE HEX SCREW	2
15	057007	3/8-16 HEX NYLOCK FLANGE NUT	2
16	117467	ELECTRIC WINCH ASSEMBLY	1
	116699	ELECTRIC WINCH SH 1000 (WINCH ONLY)	1
NS	116672	ELECTRIC WINCH SH 1000 HARNESS	1
NS	104431	12V 40AMP RELAY	2
NS	115328	12V DC66P CONTACTOR RELAY	1
NS	117538	NLE SH 1000 ELECTRIC WINCH SCHEMATIC	1

2.2 - SH 1000 Electric Winch Vertical Tower Section 1 (2 of 2)



NIGHT-LITE™ E-SERIES

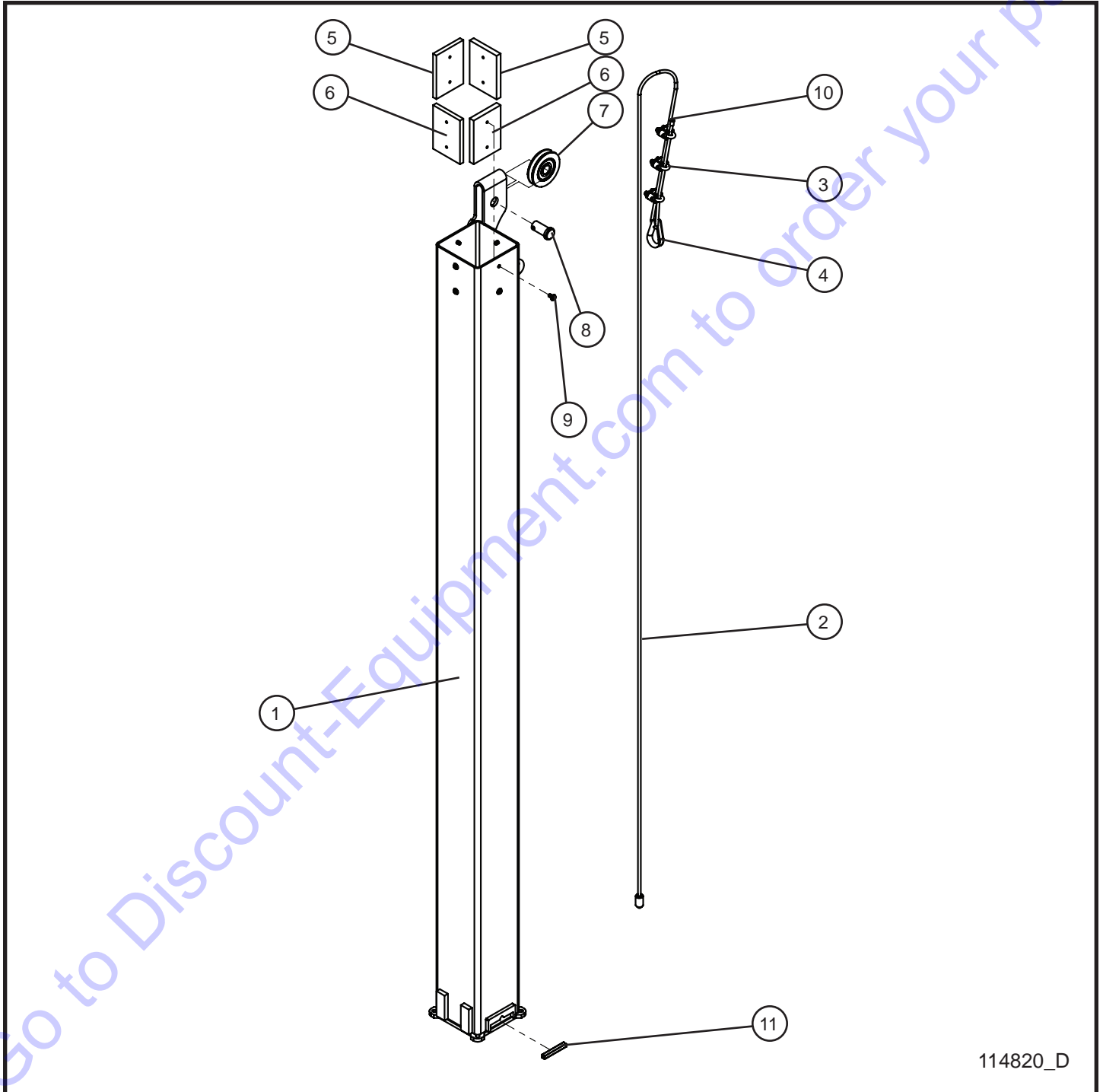
SN 45-000001 and UP

2.2 - SH 1000 Electric Winch Vertical Tower Section 1 (2 of 2)

Item	Part No.	Part Description	Qty.
1	117299P	SH 1000 ELECTRIC WINCH COVER PLATE	1
2	113174P	ELECTRIC WINCH CABLE COVER	1
3	041070	1/4-20 x 3/4 SLOTTED HEX WASHER HEAD	7
4	106144	#2013 CUSHION CLAMP	1
5	056002	1/4-20 x 3/4 HEX SERRATED FLANGE SCREW	6
6	044106	1/4-20 EXTRUDED U NUT	6
7	113336	6-1/2 INCH HITCH PIN	1
8	105408	SQUARE HEAD DOUBLE SPLIT GROMMET NUT	2
9	117466P	WINCH ELECTRICAL BOX TOP COVER	1
10	712061	STEEL LANYARD SAFETY PIN	1

Go to Discount-Equipment.com to order your parts

2.3 - Vertical Tower Section 2



114820_D

NIGHT-LITE™ E-SERIES

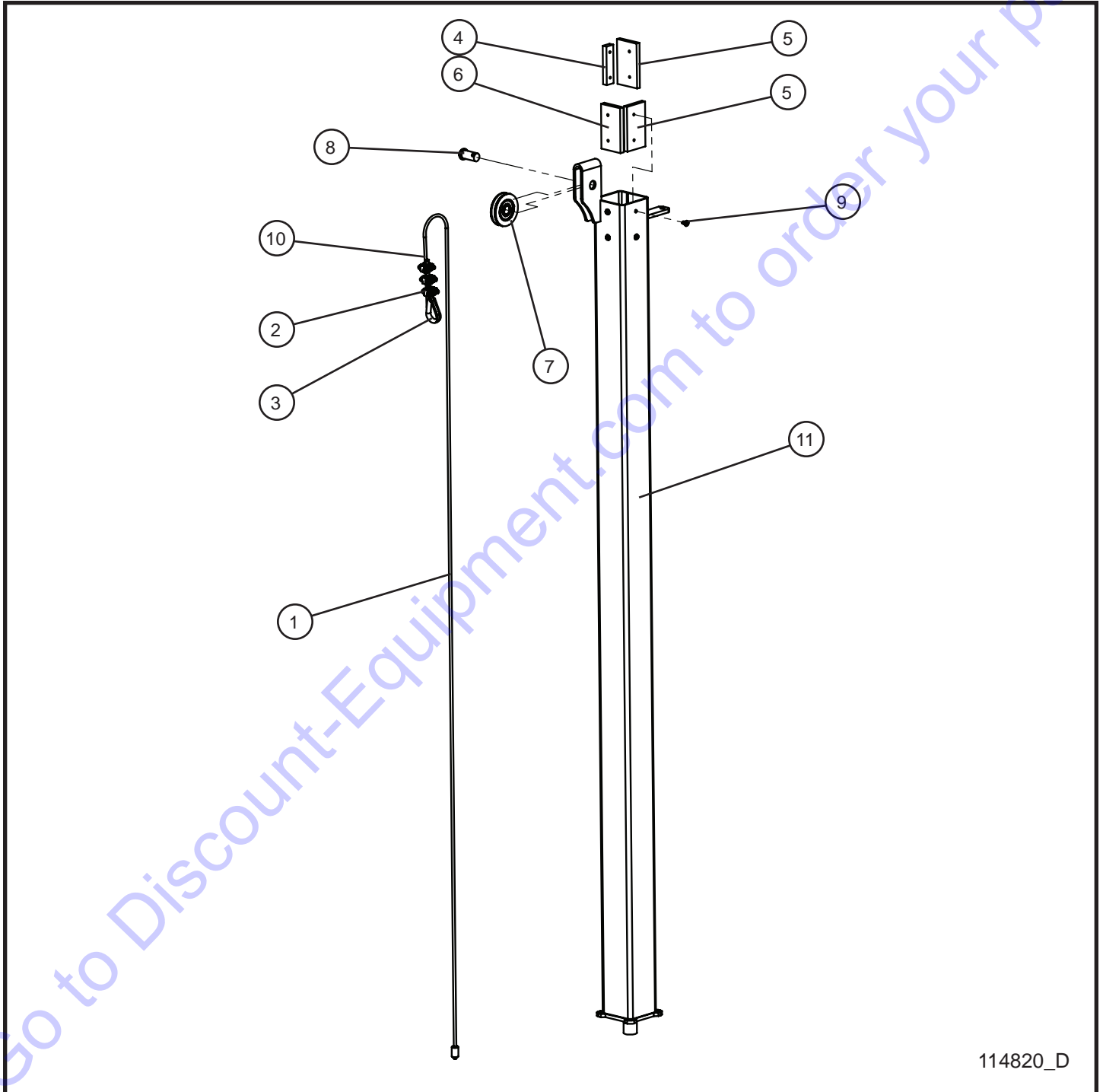
SN 45-000001 and UP

2.3 - Vertical Tower Section 2

Item	Part No.	Part Description	Qty.
1	110352P	TOWER WELDMENT 4 INCH SECTION	1
2	320185	CABLE 3/16 STEEL 10'	1
3	620084	3/16 CABLE CLIP	3
4	045040	3/16 CABLE THIMBLE 3/16 WIRE ROPE	1
5	650110	.312 TOWER PAD	2
6	650109	.375 TOWER PAD	2
7	100160	2 1/2 PULLEY BALL BEARING	1
8	033000	5/8 x 1 SLIC PIN	1
9	041023	#10 x 3/8 PH-ROUND HEAD MS PL	8
10	022150	FERRULE 10-12 AWG	1
11	109988	MAGNET 1/4 x 1/4 x 2	1

Go to Discount-Equipment.com to order your parts

2.4 - Vertical Tower Section 3



114820_D

NIGHT-LITE™ E-SERIES

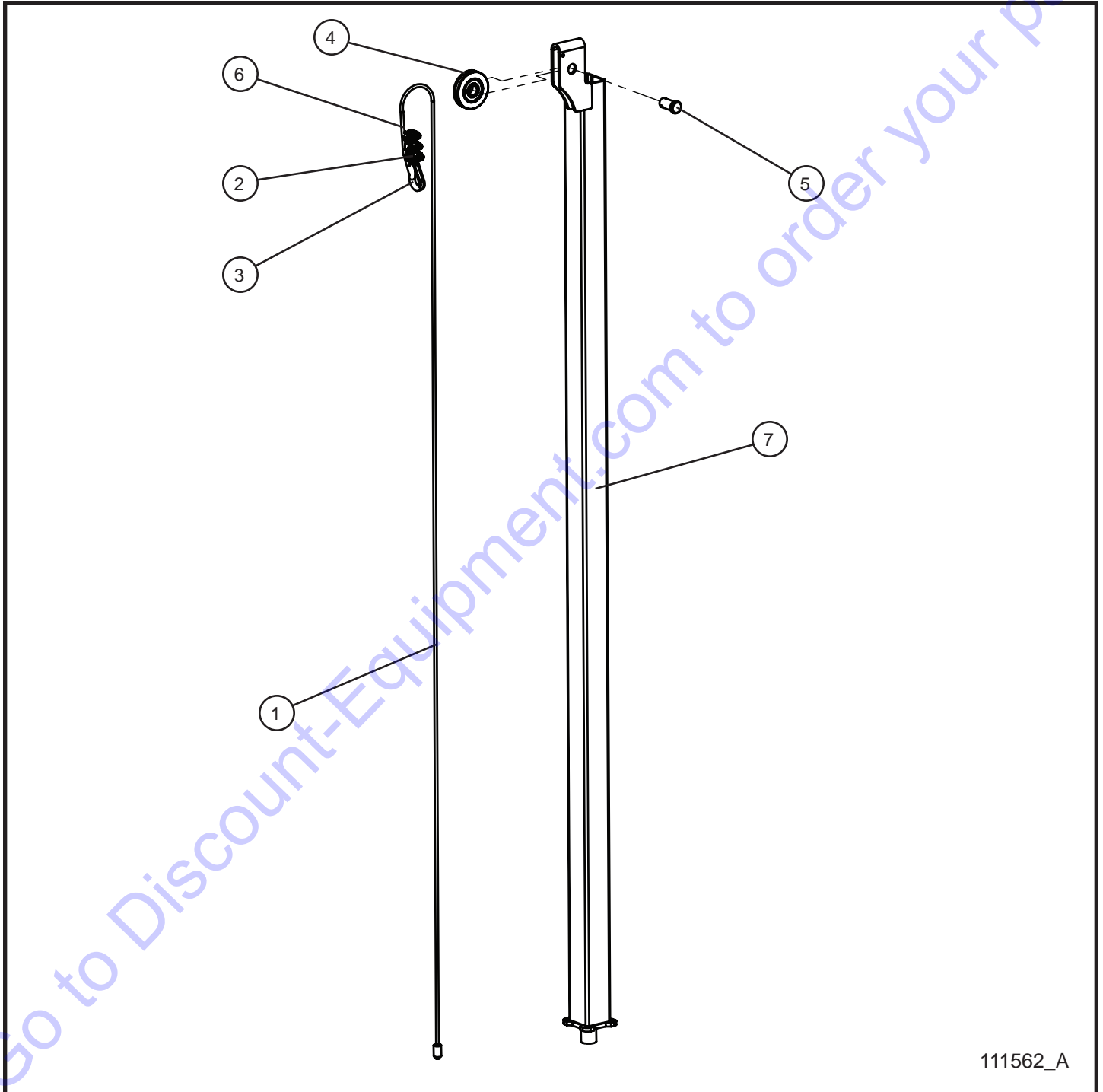
SN 45-000001 and UP

2.4 - Vertical Tower Section 3

Item	Part No.	Part Description	Qty.
1	320185	CABLE 3/16 STEEL 10'	1
2	620084	3/16 CABLE CLIP	3
3	045040	3/16 CABLE THIMBLE 3/16 WIRE ROPE	1
4	100062	3/8 UHMW SPACER	1
5	352280	PLASTIC TOWER PAD	2
6	100446	3/8 PAD SMALL	1
7	100160	2 1/2 PULLEY BALL BEARING	1
8	033000	5/8 x 1 SLIC PIN	1
9	041023	#10 x 3/8 PH-ROUND HEAD MS PL	8
10	022150	FERRULE 10-12 AWG	1
11	110353P	TOWER WELDMENT 3 INCH SECTION	1

Go to Discount-Equipment.com to order your parts

2.5 - Vertical Tower Section 4



111562_A

NIGHT-LITE™ E-SERIES

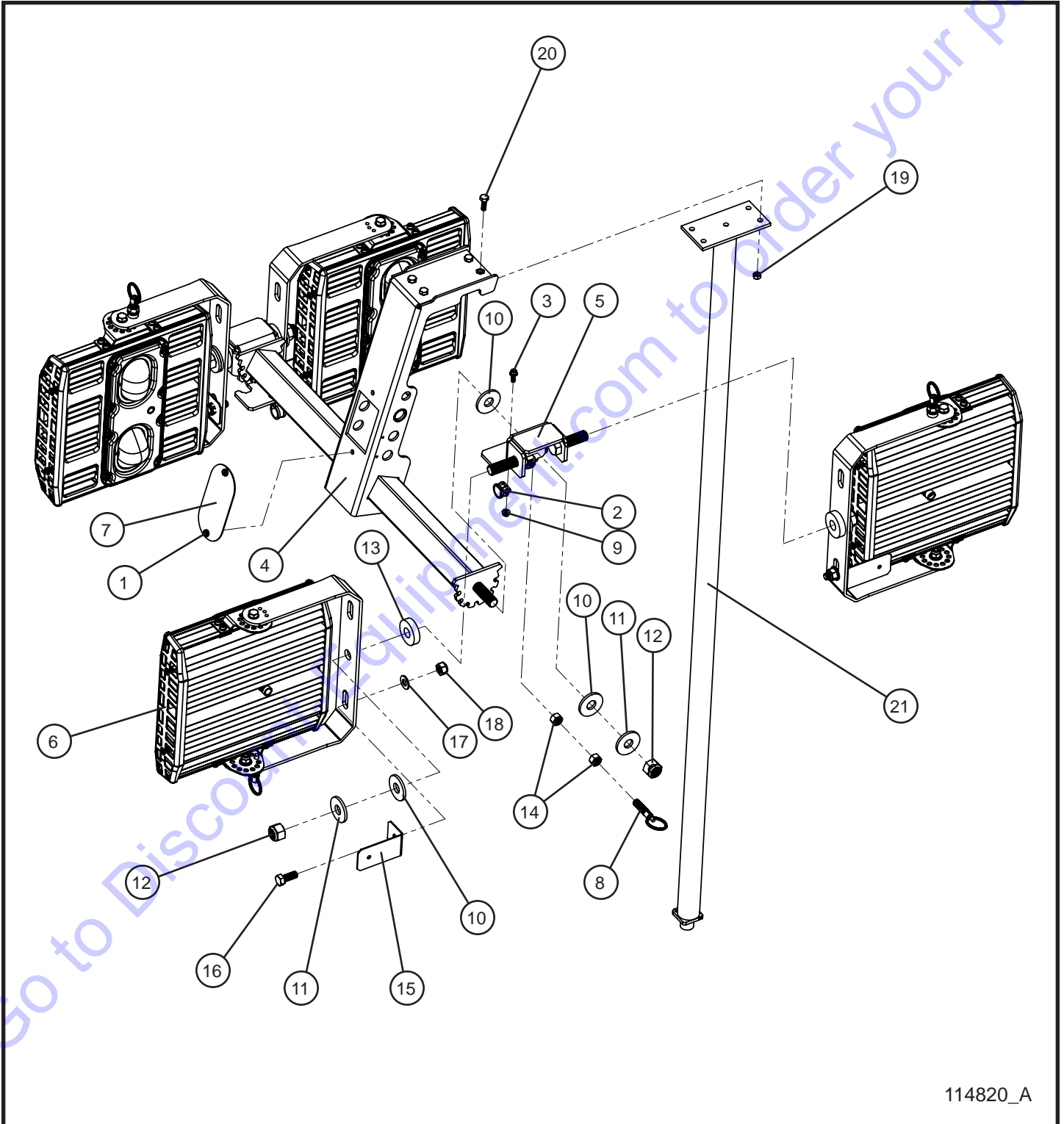
SN 45-000001 and UP

2.5 - Vertical Tower Section 4

Item	Part No.	Part Description	Qty.
1	320185	CABLE 3/16 STEEL 10'	1
2	620084	3/16 CABLE CLIP	3
3	045040	3/16 CABLE THIMBLE 3/16 WIRE ROPE	1
4	100160	2 1/2 PULLEY BALL BEARING	1
5	033000	5/8 x 1 SLIC PIN	1
6	022150	FERRULE 10-12 AWG	1
7	110355P	TOWER WELDMENT 2 INCH SECTION	1

Go to Discount-Equipment.com to order your parts

2.6 - Vertical Tower Round Section and Light Bar



114820_A

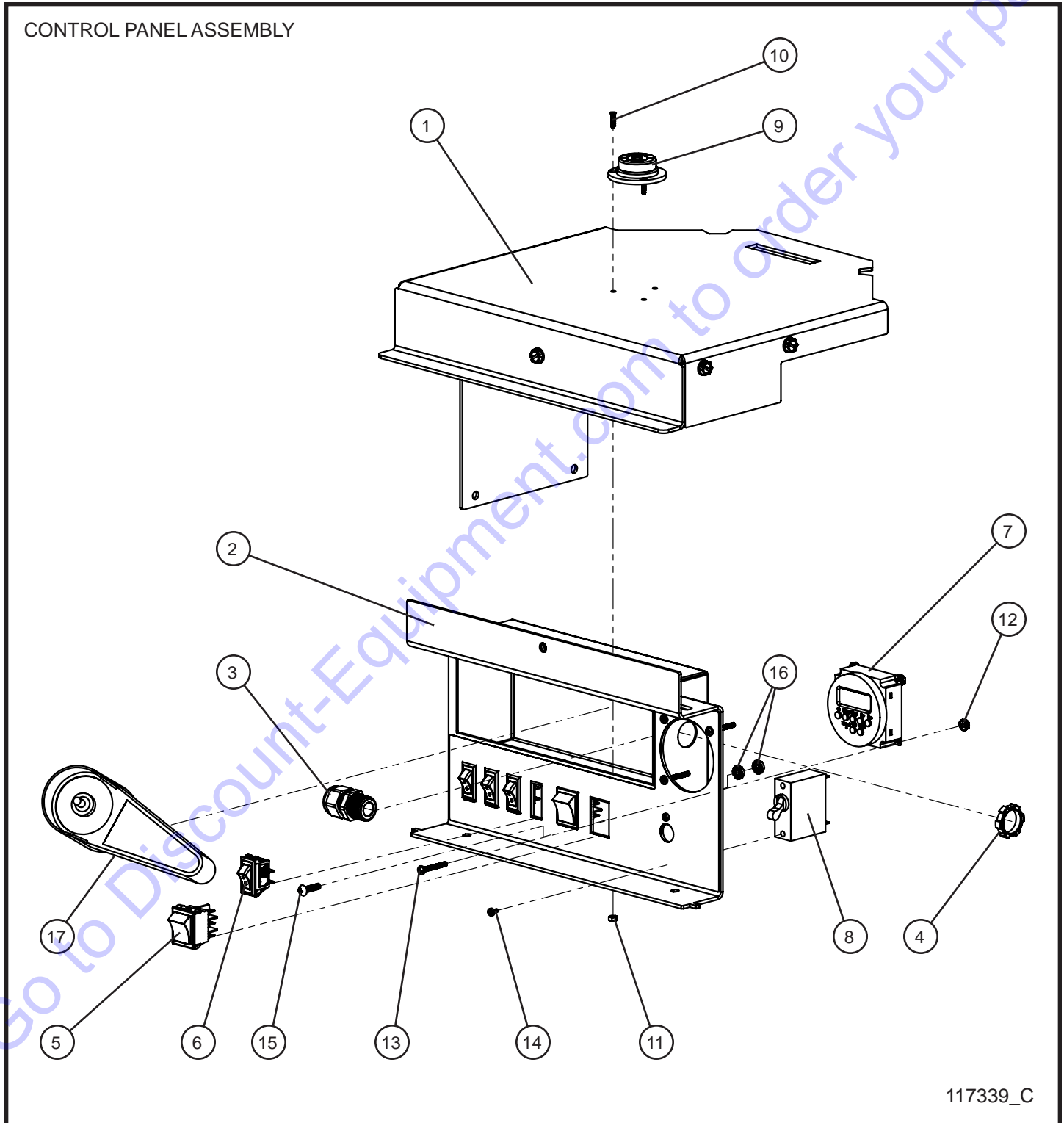
NIGHT-LITE™ E-SERIES

SN 45-000001 and UP

2.6 - Vertical Tower Round Section and Light Bar

Item	Part No.	Part Description	Qty.
1	041070	1/4-20 x 3/4 SLOTTED HEX WASHER HEAD	2
2	022024	#12 CUSHION CLAMP	2
3	056002	1/4-20 x 3/4 HEX SERRATED FLANGE SCREW	2
4	112352P	LIGHT BAR WELDMENT	1
5	112354P	LIGHT BAR ROTATION MOUNT WELDMENT	2
6	114075	CONSSIN KUEM2-320 ALLMAND LED LIGHT	4
7	108933P	LIGHT BAR FRONT COVER	1
8	100148	SPRING LOCK 1/2-13 UNC x 1.4	2
9	057001	1/4-20 HEX NYLOCK FLANGE NUT	2
10	650550	.785" x 2" HDPE WASHER	8
11	047035	3/4 FLAT WASHER	6
12	044058	3/4-10 NYLOCK HEX NUT PL	6
13	101813	.781 ID x 2 OD x 1/2 HDPE WASHER	4
14	044045	1/2-13 HEX NUT PL	4
15	111975P	LED CONSSIN CSA STOP	4
16	046180	1/2-13 x 1 1/4 HEX HEAD CS GR5 PL	4
17	047025	1/2 FLAT WASHER PL	4
18	044048	1/2-13 NYLOCK HEX NUT PL	4
19	044033	5/16-18 NYLOCK HEX NUT PL	4
20	046050	5/16-18 x 1 HEX HEAD	4
21	110357P	WELDMENT TOWER ROUND SECTION	1

3.1 - Component Box (1 of 3)



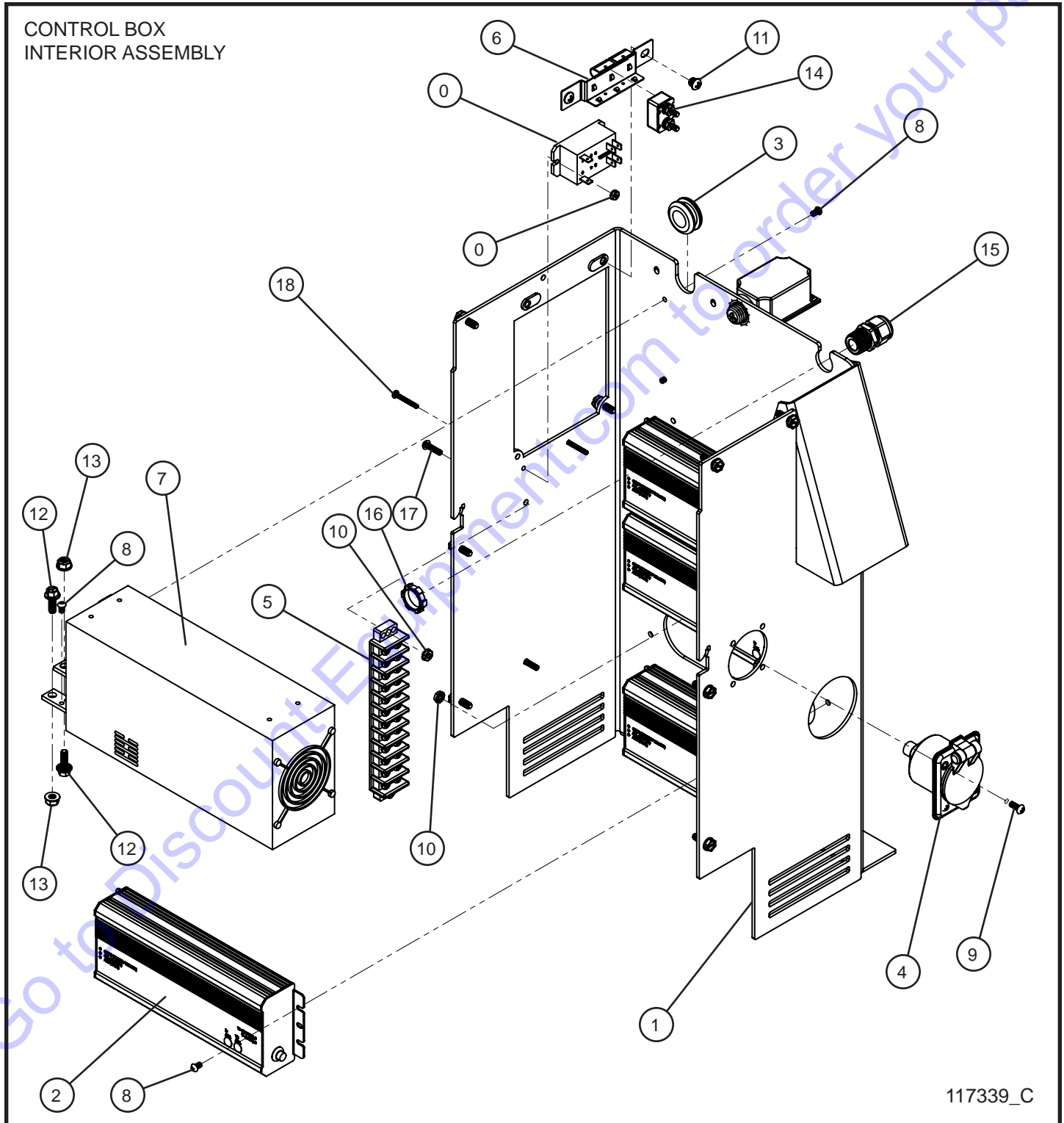
NIGHT-LITE™ E-SERIES

SN 45-000001 and UP

3.1 - Component Box (1 of 3)

Item	Part No.	Part Description	Qty.
1	114494P	TOP COVER CORNER SEAL	1
2	114493P	PANEL WELDMENT	1
3	105626	1/2 CORD GRIP NYLON BLACK	1
4	022035	1/2 CORD GRIP NUT	1
5	113553	ROCKER SWITCH DPDT ON-ON CONCAVE	2
6	113541	ROCKER SWITCH SPST ON-OFF	4
7	113639	120V AC TIMER PROGRAMMABLE	1
8	330458	15A SPST BREAKER SWITCH	1
9	113335	BULLSEYE LEVEL	1
10	041260	#4-40 x 1/2 PH-FLAT HEAD MACHINE SCREW	3
11	044002	#4-40 NYLOCK HEX NUT	3
12	044004	#6-32 KEPS HEX NUT	4
13	041003	#6-32 x 1 1/4 SL-ROUND HEAD MACHINE SCREW	4
14	041018	#6-32 x 1/4 PH-ROUND HEAD MACHINE SCREW	2
15	041027	#10-24 x 3/4 PH-ROUND HEAD MACHINE SCREW	1
16	044016	#10-24 KEPS HEX NUT	2
17	117345	ELECTRIC WINCH HANDHELD CONTROL	1
NS	117469	DRIVER AC SIDE SCHEMATIC	1
NS	114212	DRIVER DC SIDE SCHEMATIC	1
NS	117468	FRONT PANEL SCHEMATIC	1
NS	116666	MAIN HARNESS DC WINCH NLE	1

3.1 - Component Box (2 of 3)



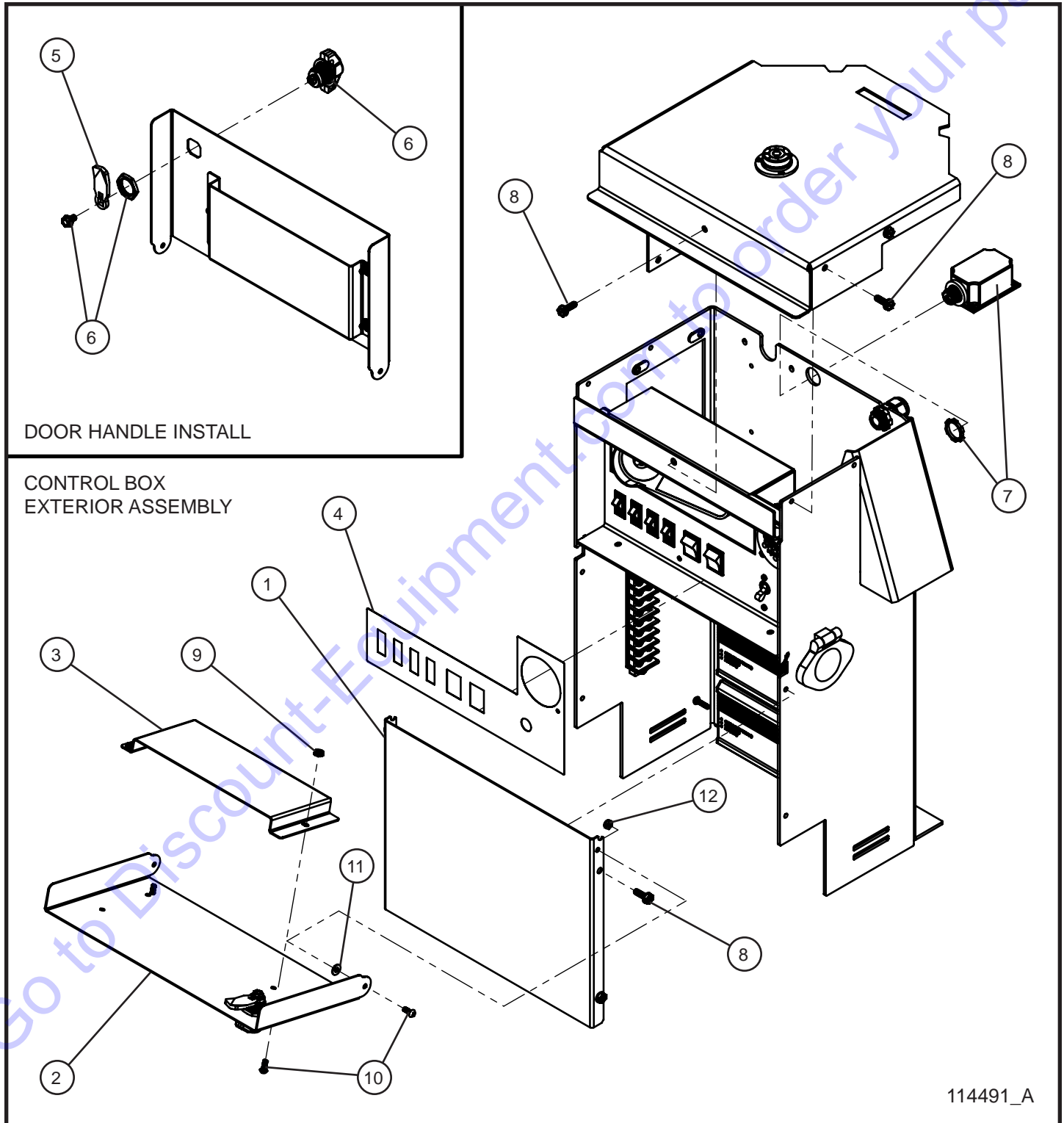
NIGHT-LITE™ E-SERIES

SN 45-000001 and UP

3.1 - Component Box (2 of 3)

Item	Part No.	Part Description	Qty.
1	117341P	NLE COMPONENT BOX WELDMENT	1
2	113646	CONSSIN LED DRIVER ASSEMBLY	4
3	330463	11/16 RUBBER GROMMET	1
4	117348	NLE RECESSED PLUG ASSEMBLY	1
5	106734	SCREW TERMINAL BLOCK 12 GANG	1
6	112292	SHORT STOP BRACKET	1
7	114823	POWER OUTPUT RSP-1500-12 MEANWELL	1
8	041090	M4 x 8 PHILLIPS MACHINE SCREW	17
9	041021	#10-24 x 1/2 PH-ROUND HEAD MACHINE SCREW	4
10	044016	#10-24 KEPS HEX NUT	6
11	041065	1/4-20 x 1/4 PH-ROUND HEAD MACHINE SCREW	2
12	056002	1/4-20 x 3/4 HEX SERRATED FLANGE SCREW	2
13	057001	1/4-20 HEX NYLOCK FLANGE NUT	2
14	112290	50AMP 12V SHORT STOP CIRCUIT BREAKER	1
15	105626	1/2 CORD GRIP NYLON BLACK	1
16	022035	1/2 CORD GRIP NUT	1
17	041027	#10-24 x 3/4 PH-ROUND HEAD MACHINE SCREW	2
18	041003	#6-32 x 1 1/4 SL-ROUND HEAD MACHINE SCREW	2
19	044004	#6-32 KEPS HEX NUT	2
20	105219	30AMP RELAY	1
NS	105837	DEUTSCH/MOLEX 8-WAY PLUG WEDGELOCK	1
NS	105833	DEUTSCH/MOLEX 8-WAY PLUG	1
NS	117469	DRIVER AC SIDE SCHEMATIC	1
NS	114212	DRIVER DC SIDE SCHEMATIC	1
NS	117468	FRONT PANEL SCHEMATIC	1
NS	116666	MAIN HARNESS DC WINCH NLE	1

3.1 - Component Box (3 of 3)



114491_A

NIGHT-LITE™ E-SERIES

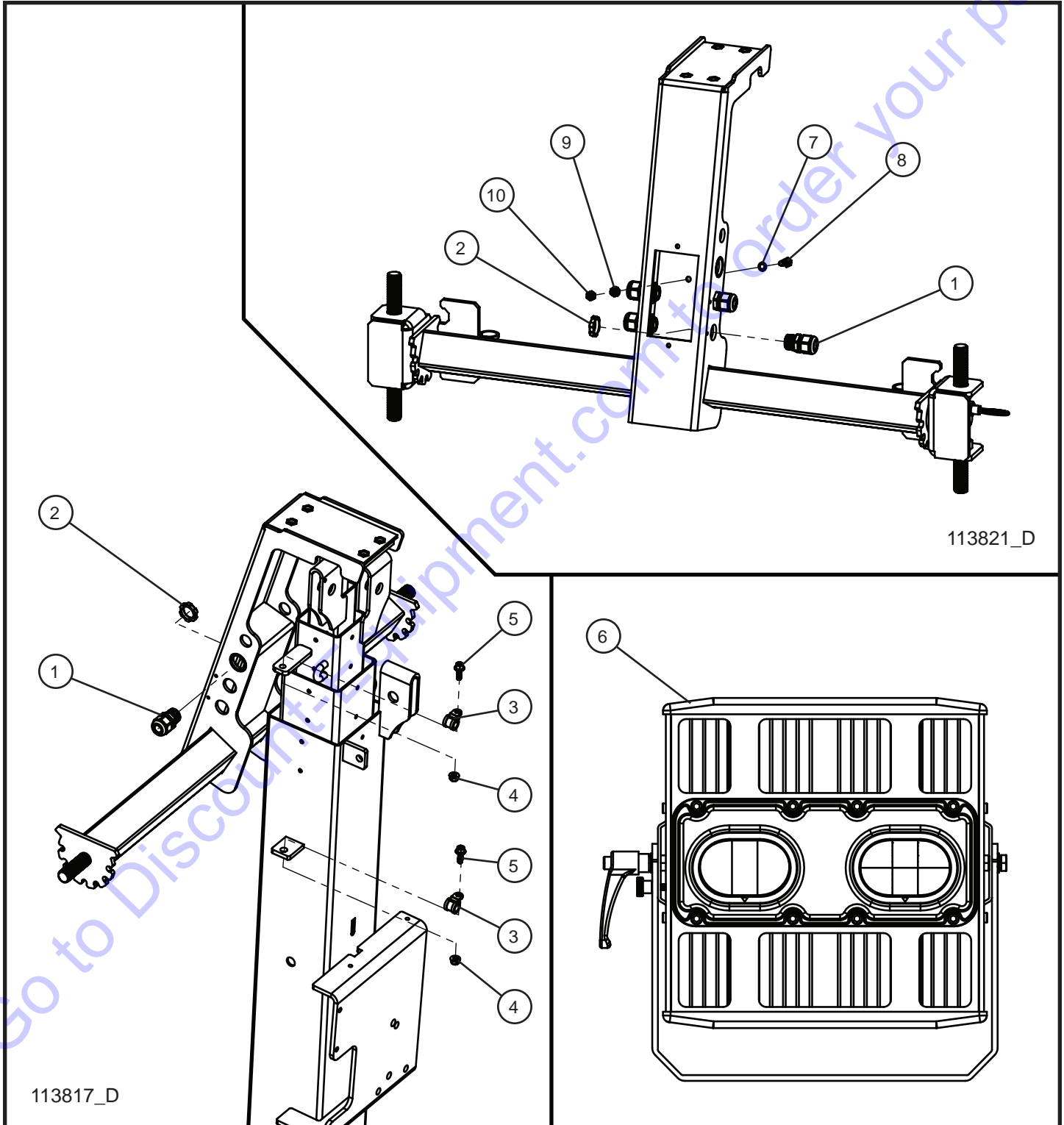
SN 45-000001 and UP

3.1 - Component Box (3 of 3)

Item	Part No.	Part Description	Qty.
1	114492P	LOWER PANEL CONTROL BOX	1
2	114496P	CONTROL BOX DOOR PANEL	1
3	114067P	USER MANUAL DOOR HOLDER	1
4	112144	CONTROL PANEL STANDARD DECAL	1
5	111482	LATCH CAM STRAIGHT	1
6	111481	WINGKNOB PADLOCKABLE	1
7	117346	WEATHERPROOF PHOTOCONTROL	1
8	041070	1/4-20 x 3/4 SLOTTED HEX WASHER HEAD MACHINE SCREW	10
9	044016	#10-24 KEPS HEX NUT	9
10	041021	#10-24 x 1/2 PH-ROUND HEAD MACHINE SCREW	5
11	047003	#10 FLAT WASHER	2
12	044018	#10-24 NYLOCK HEX NUT	2
NS	030052	TRIMLOK END BEAK x 1.50	1

Go to Discount-Equipment.com to order your parts

3.2 - Tower Cord and Light Bar Cord Grips



NIGHT-LITE™ E-SERIES

SN 45-000001 and UP

3.2 - Tower Cord and Light Bar Cord Grips

Item	Part No.	Part Description	Qty.
1	114886	CORD GRIP 1/2" NYLON BLACK	5
2	022035	1/2 CORD GRIP NUT	5
3	022022	#8 CUSH CLAMP 1/4 HOLE	2
4	057001	1/4-20 HEX NYLOCK FLANGE NUT	2
5	056002	1/4-20 x 3/4 HEX SERRATED FLANGE SCREW	2
6	114075	CONSSIN KUEM2-320 ALLMAND LED LIGHT	4
7	043050	1/4 INTL TOOTHLOCK WASHER	1
8	046015	1/4-20 x 1 HEX HEAD CAP SCREW	1
9	044021	1/4-20 KEPS HEX NUT	1
10	044023	1/4-20 NYLOCK HEX NUT	1
NS	114104	YOKE, BRACKETS, AND HARDWARE CONSSIN KIT	1
NS	117154	TOWER CORD ASSEMBLY	1
NS	114821	SCHEMATIC LED LIGHT BAR	1

Go to Discount-Equipment.com to order your parts

4.1 - Control Box Front and Door Decals

112169

112153

CONTROL BOX FRONT

DOOR INTERIOR

DOOR EXTERIOR

113824_A

NIGHT-LITE™ E-SERIES

SN 45-000001 and UP

4.1 - Control Box Front and Door Decals

Item	Part No.	Part Description	Qty.
1	113933	NLE ALLMAND DIE-CUT BASE DECAL	1
2	112153	INTERIOR NLE DOOR WARNING DECAL	1
3	112169	OPERATOR WARNING DECAL	1
4	112144	CONTROL PANEL STANDARD DECAL	1

Go to Discount-Equipment.com to order your parts

4.2 - Outlet Side and Light Bar Decals

60Hz
110V
15A
112158

3

6

DANGER

Entering electrical compartment while equipment is in operation will result in death or serious injury.

Shut down equipment before entering electrical compartment.

109011

6

1

LIGHT BAR

5

WARNING

Standing under light tower mast and fixtures during lowering operation could result in death or serious injury.

Keep bystanders away from light tower during lowering and raising operations.

WARNING

Handling light fixtures when they are hot could result in death or serious injury.

Keep clear of light fixtures when illuminated or hot.

WARNING

Looking at illuminated light fixtures could result in serious injury.

Do not look directly at illuminated light fixtures.

112148

5

2

3

4

TOWER BASE/CONTROL BOX OUTLET SIDE

112154

4

113824_C

NIGHT-LITE™ E-SERIES

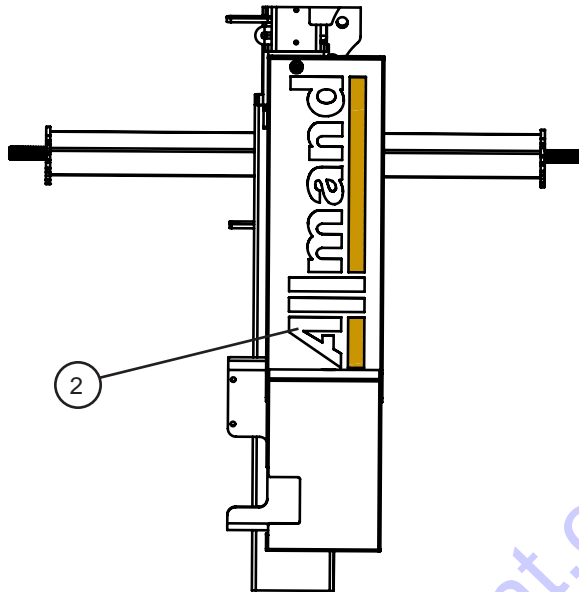
SN 45-000001 and UP

4.2 - Control Box Front and Door Decals

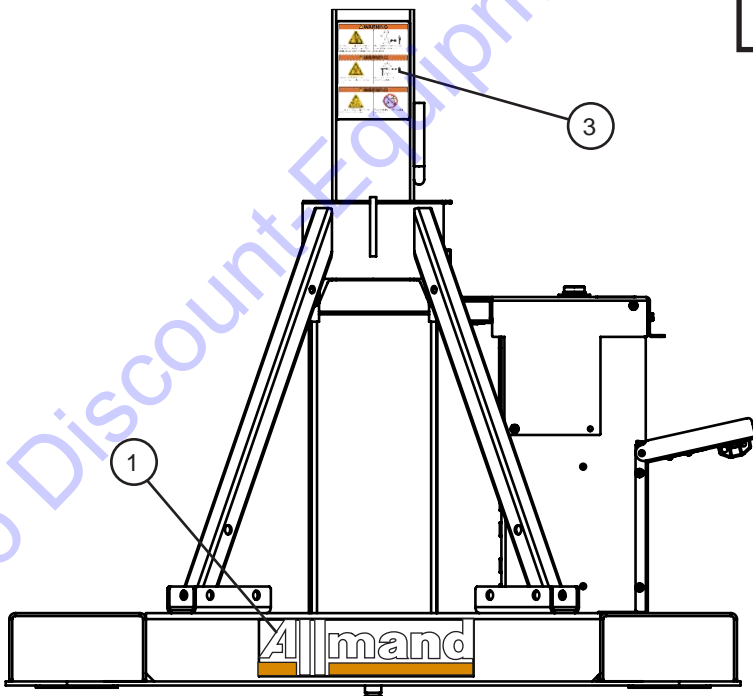
Item	Part No.	Part Description	Qty.
1	107459	TOWER ALIGNMENT DECAL	1
2	112134	ALLMAND WHITE BRANDING DECAL	1
3	112158	60Hz ELECTRICAL SPECIFICATIONS DECAL	1
4	112154	NLE OUTLET DECAL	1
5	112148	NLE 3 PANEL TOWER WARNING DECAL	1
6	109011	VERTICAL HAZARDOUS VOLTAGE DECAL	1

Go to Discount-Equipment.com to order your parts

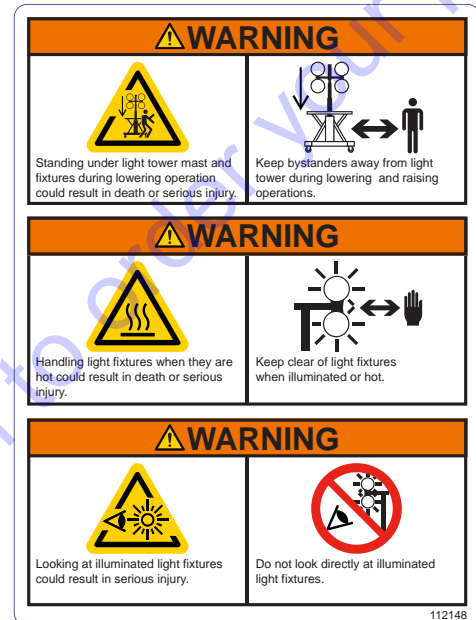
4.3 - Opposite Side and Winch Cable Cover Decals



WINCH CABLE COVER



TOWER BASE OPPOSITE SIDE



112148

3

NIGHT-LITE™ E-SERIES

SN 45-000001 and UP

4.3 - Control Box Front and Door Decals

Item	Part No.	Part Description	Qty.
1	112134	ALLMAND WHITE BRANDING DECAL	1
2	113932	NLE ALLMAND MAST DECAL	1
3	112148	NLE 3 PANEL TOWER WARNING DECAL	1

Go to Discount-Equipment.com to order your parts

4.4 - Top View Decals

112171

107254

3

2

1

2

3

2

2

2

TOWER BASE TOP VIEW

113824_C

NIGHT-LITE™ E-SERIES

SN 45-000001 and UP

4.4 - Control Box Front and Door Decals

Item	Part No.	Part Description	Qty.
1	113933	NLE ALLMAND DIE-CUT BASE DECAL	1
2	107254	FORKLIFT DECAL	4
3	112171	WORDLESS NLE SETUP INSTRUCTIONS DECAL	1

Go to Discount-Equipment.com to order your parts

NIGHT-LITE™ E-SERIES

Allmand®

**Discount
Equipment**

www.discount-equipment.com

Go to Discount-Equipment.com to order your parts

PARTS FINDER

**Search Website
by Part Number**



**Search Manual
Library For Parts
Manual & Lookup Part
Numbers – Purchase
or Request Quote**

Search Manuals

Enter your information to help us find the right parts manual for your machine.

* Brand:

* Model:

* Serial:

* Part Number:

SEARCH

**Can't Find Part or
Manual? Request Help
by Manufacturer,
Model & Description**

Parts Order Form

Please fill in the following information to help us find the right part for your machine.

Manufacturer:	<input type="text"/>
Model:	<input type="text"/>
Description:	<input type="text"/>
Part Number:	<input type="text"/>
Quantity:	<input type="text"/>
Notes:	<input type="text"/>

Submit

Discount-Equipment.com is your online resource for quality parts & equipment.

Florida: **561-964-4949** Outside Florida TOLL FREE: **877-690-3101**

Need parts?

Click on this link: <http://www.discount-equipment.com/category/5443-parts/> and choose one of the options to help get the right parts and equipment you are looking for. Please have the machine model and serial number available in order to help us get you the correct parts. If you don't find the part on the website or on one of the online manuals, please fill out the request form and one of our experienced staff members will get back to you with a quote for the right part that your machine needs.

We sell worldwide for the brands: Genie, Terex, JLG, MultiQuip, Mikasa, Essick, Whiteman, Mayco, Toro Stone, Diamond Products, Generac Magnum, Airman, Haulotte, Barreto, Power Blanket, Nifty Lift, Atlas Copco, Chicago Pneumatic, Allmand, Miller Curber, Skyjack, Lull, Skytrak, Tsurumi, Husquvarna Target, Stow, Wacker, Sakai, Mi-T-M, Sullair, Basic, Dynapac, MBW, Weber, Bartell, Bennar Newman, Haulotte, Ditch Runner, Menegotti, Morrison, Contec, Buddy, Crown, Edco, Wyco, Bomag, Laymor, EZ Trench, Bil-Jax, F.S. Curtis, Gehl Pavers, Heli, Honda, ICS/PowerGrit, IHI, Partner, Imer, Clipper, MMD, Koshin, Rice, CH&E, General Equipment, Amida, Coleman, NAC, Gradall, Square Shooter, Kent, Stanley, Tamco, Toku, Hatz, Kohler, Robin, Wisconsin, Northrock, Oztec, Toker TK, Rol-Air, APT, Wylie, Ingersoll Rand / Doosan, Innovatech, Con X, Ammann, Mecalac, Makinex, Smith Surface Prep, Small Line, Wanco, Yanmar