

YANMAR

PARTS CATALOG



www.discount-equipment.com

0CS10-M59200EN

Last update Jan., 2020

Go to Discount-Equipment.com to order your parts

PARTS FINDER

**Search Website
by Part Number**



**Search Manual
Library For Parts
Manual & Lookup Part
Numbers – Purchase
or Request Quote**

Search Manuals

Enter your information to help us find the right parts manual for your machine.

* Brand:

* Model:

* Serial:

* Part Number:

SEARCH

**Can't Find Part or
Manual? Request Help
by Manufacturer,
Model & Description**

Parts Order Form

Please fill in the following information to help us find the right part for your machine.

Manufacturer:	<input type="text"/>
Model:	<input type="text"/>
Description:	<input type="text"/>
Part Number:	<input type="text"/>
Quantity:	<input type="text"/>
Notes:	<input type="text"/>

Submit

Discount-Equipment.com is your online resource for quality parts & equipment.

Florida: **561-964-4949** Outside Florida TOLL FREE: **877-690-3101**

Need parts?

Click on this link: <http://www.discount-equipment.com/category/5443-parts/> and choose one of the options to help get the right parts and equipment you are looking for. Please have the machine model and serial number available in order to help us get you the correct parts. If you don't find the part on the website or on one of the online manuals, please fill out the request form and one of our experienced staff members will get back to you with a quote for the right part that your machine needs.

We sell worldwide for the brands: Genie, Terex, JLG, MultiQuip, Mikasa, Essick, Whiteman, Mayco, Toro Stone, Diamond Products, Generac Magnum, Airman, Haulotte, Barreto, Power Blanket, Nifty Lift, Atlas Copco, Chicago Pneumatic, Allmand, Miller Curber, Skyjack, Lull, Skytrak, Tsurumi, Husquvarna Target, Stow, Wacker, Sakai, Mi-T-M, Sullair, Basic, Dynapac, MBW, Weber, Bartell, Bennar Newman, Haulotte, Ditch Runner, Menegotti, Morrison, Contec, Buddy, Crown, Edco, Wyco, Bomag, Laymor, EZ Trench, Bil-Jax, F.S. Curtis, Gehl Pavers, Heli, Honda, ICS/PowerGrit, IHI, Partner, Imer, Clipper, MMD, Koshin, Rice, CH&E, General Equipment, Amida, Coleman, NAC, Gradall, Square Shooter, Kent, Stanley, Tamco, Toku, Hatz, Kohler, Robin, Wisconsin, Northrock, Oztec, Toker TK, Rol-Air, APT, Wylie, Ingersoll Rand / Doosan, Innovatech, Con X, Ammann, Mecalac, Makinex, Smith Surface Prep, Small Line, Wanco, Yanmar

P R E F A C E

1 . This Parts Catalog carries Yanmar excavator (crawler back-hoe) VI045-6A for U.S.A..
(M/# 60501 ~)

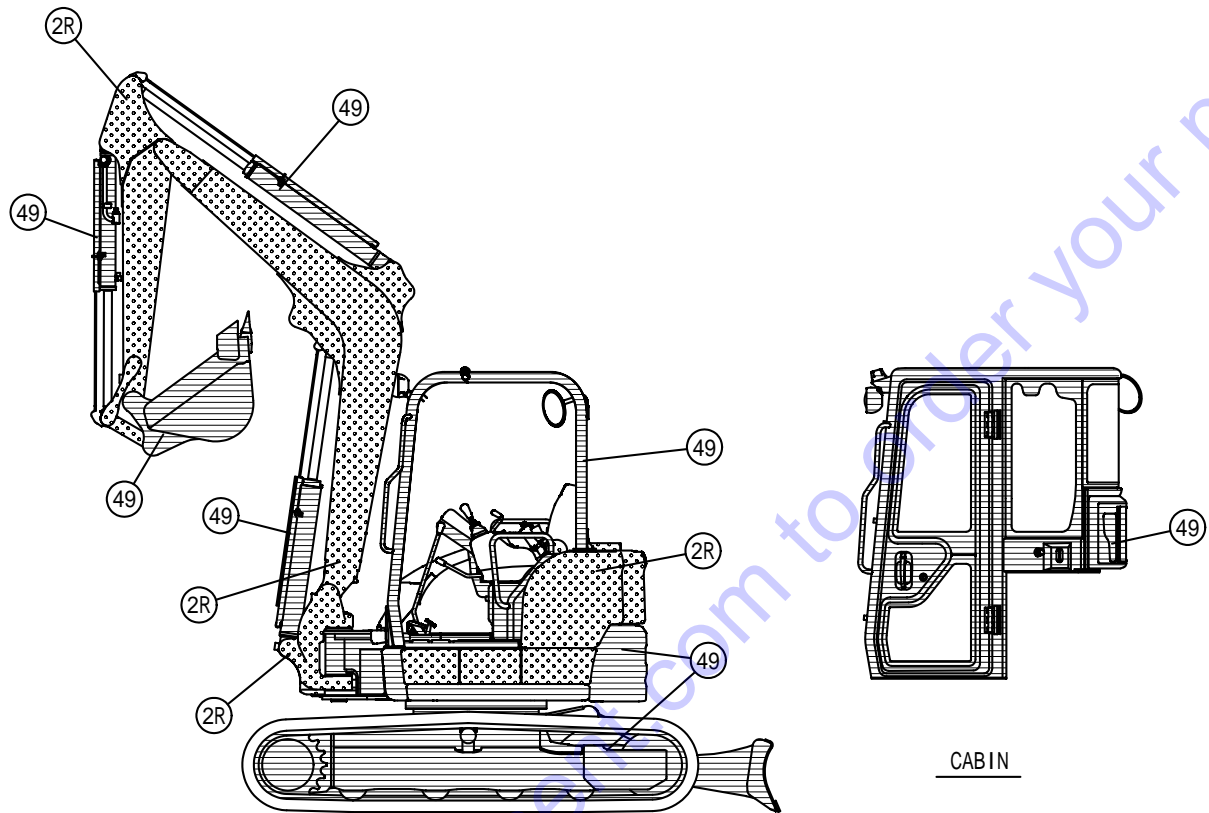
2 . Parts catalog history



		Model	Published	Remarks
1st edition	Vehicle	VI045-6A(US)	Nov. ,2013	
	Engine	4TNV88C-PBV		

3 . Your understanding is asking that this parts catalog is not a technical data manual setting forth as servicing procedures, This parts catalog is using simplified illustration.

Be sure to use Yanmar Genuine Parts in your maintenance servicing of Yanmar products. Be careful not to use the simple parts available in the market, otherwise their use in repairing causes such as an early breakage, for instance.

VEHICLE PAINTED COLOR



Color Code	Description	Painted Color	Paint Part No.		
			16L Can	4L Can	SPRAY
2R		YANMAR Turmeric Yellow	-----	977620-41001	977620-41002
49		YANMAR Navy Gray	-----	TOR-91390000	TOR-94800490

PICTURESQUE INDEX (1) ■ ■ ■ MAIN PARTS

1. LABEL & ACCESSORY

Fig. 1 to 6, 174, 175, 204 to 208, 210

16. OPTIONAL & KIT

Fig. 158, 166 to 170, 202, 209

14. HYDRAULIC OIL PIPING

Fig. 130 to 150, 193 to 200

3. ELECTRICAL PARTS

Fig. 19 to 38, 176, 177, 211

4. AIR CONDITIONER & HEATER

Fig. 39 to 48

11. CANOPY

Fig. 94, 95

12. CABIN

Fig. 96 to 108

9. AROUND SEAT

Fig. 78 to 89

2. ENGINE RELATED

Fig. 7 to 18

10. BONNET

Fig. 90 to 93

6. CONTROL EQUIPMENT

Fig. 54 to 63, 178, 203

15. IMPLEMENT

Fig. 151 to 157, 172, 173, 201

7. FRAME

Fig. 64 to 68

8. COVER

Fig. 69 to 77

5. TRAVELING

Fig. 49 to 53, 171, 212

13. HYDRAULIC OIL EQUIPMENT

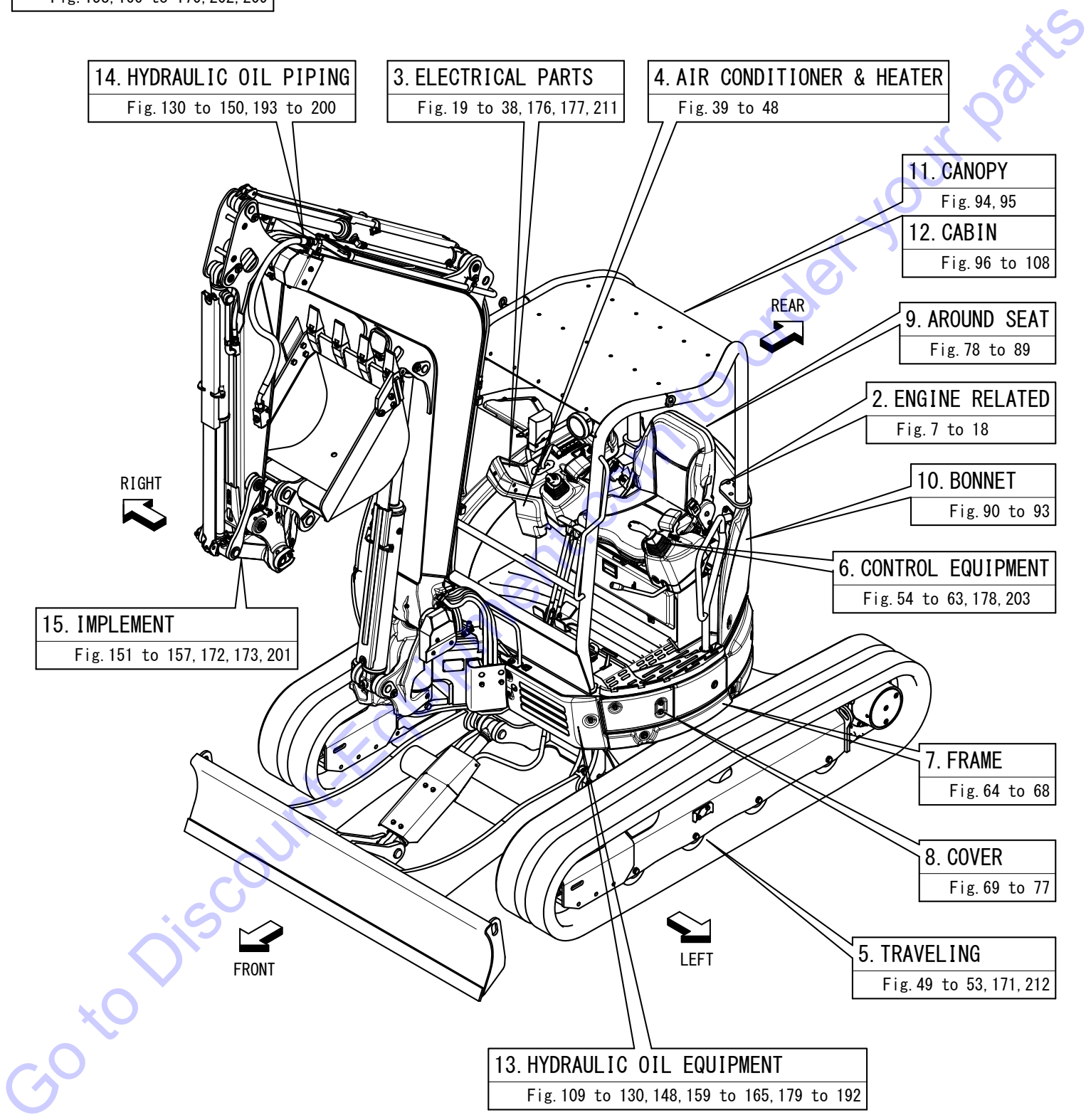
Fig. 109 to 130, 148, 159 to 165, 179 to 192

RIGHT
↗

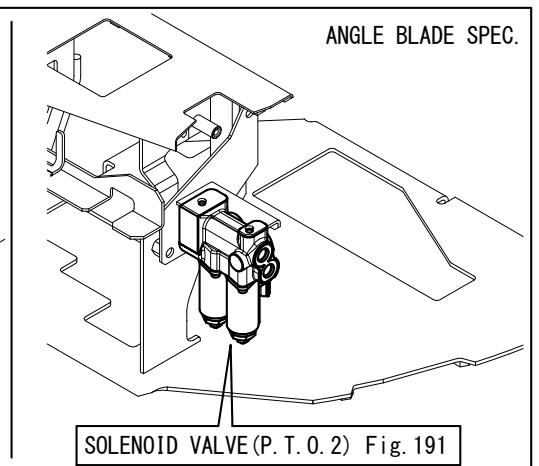
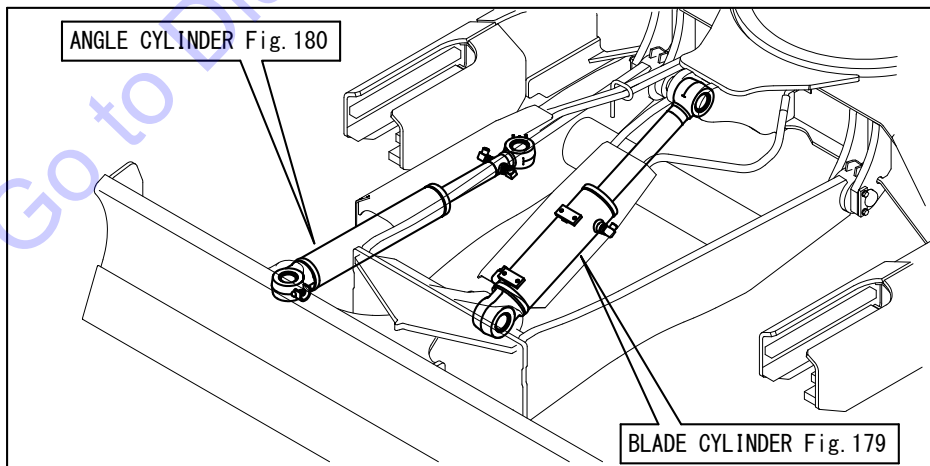
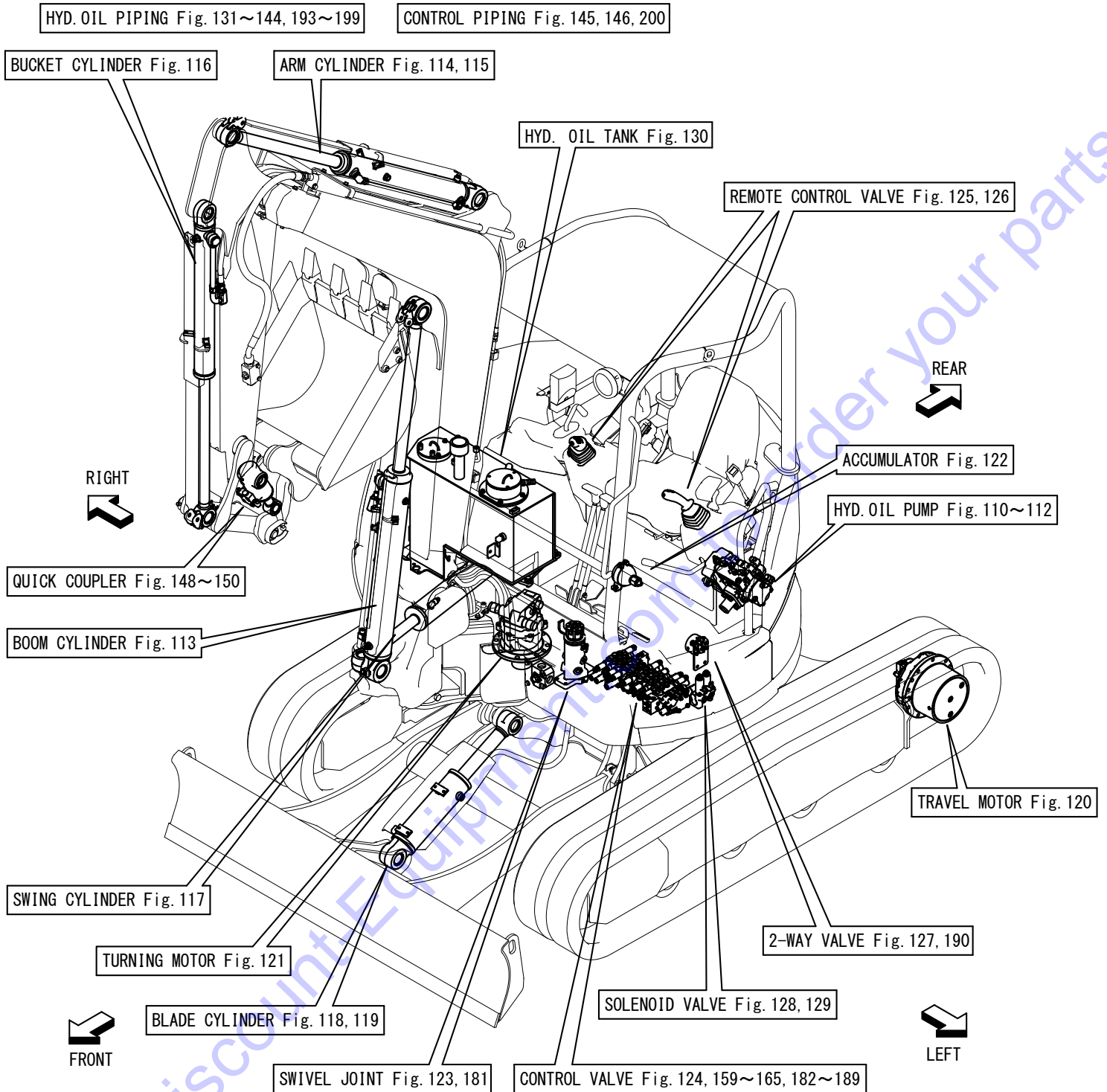
REAR
↘

FRONT
↙

LEFT
↖



PICTURESQUE INDEX (2) ■ ■ ■ HYDRAULIC SECTION



Contents

OCS10-M59200

Fig. No. Fig. Name

LABEL & ACCESSORY

1. LABEL(EXTERIOR)(TO MAF000)
204. (1A)LABEL(EXTERIOR)(FROM MAF001)
2. LABEL(BONNET INSIDE)
3. LABEL(CANOPY)(TO MAF000)
205. (3A)LABEL(CANOPY)(FROM MAF001)
174. (3B)LABEL(CANOPY)(ANGLE BLADE SPEC.)(TO MAF000)
206. (3C)LABEL(CANOPY)(ANGLE BLADE SPEC.)(FROM MAF001)
4. LABEL(CABIN)(TO MAF000)
207. (4A)LABEL(CABIN)(FROM MAF001)
175. (4B)LABEL(CABIN)(ANGLE BLADE SPEC.)(TO MAF000)
208. (4C)LABEL(CABIN)(ANGLE BLADE SPEC.)(FROM MAF001)
5. LABEL(QUICK COUPLER)
6. TOOL CASE(METAL)
210. (6A)TOOL CASE(RESIN)

ENGINE RELATED

7. MUFFLER
8. AIR CLEANER
9. MUFFLER COVER
10. ACCELERATOR
11. ENGINE MOUNT
12. ENGINE MOUNT(AIR CONDITIONER SPEC.)
13. RADIATOR SHROUD
14. RADIATOR & SUB TANK

Fig. No. Fig. Name

15. RADIATOR HOSE
16. DUCT
17. FUEL TANK
18. FUEL PIPING

ELECTRICAL PARTS

19. AROUND THE ENGINE
20. HARNESS SUPPORT
21. BATTERY(MINUS CABLE)
22. HORN
23. HARNESS GUIDE
24. STARTER SWITCH
25. AROUND THE SEAT
26. PRESSURE SWITCH
27. TRAVEL BUZZER
28. QUICK COUPLER(SWITCH BOX)
29. CONTROLLER
30. WORK LAMP
31. CANOPY LAMP
32. INSTRUMENT PANEL(CANOPY)
33. INSTRUMENT PANEL(CABIN)(HEATER SPEC.)
34. INSTRUMENT PANEL(CABIN)(AIR CONDITIONER SPEC.)
35. HARNESS(AIR HEATER)
36. WORK CONTROL
211. (36A)E.S.S.

Contents

OCS10-M59200

Fig. No. Fig. Name

37. RELAY BRACKET

38. HARNESS MOUNT

176. (38A)P.T.O.(ANGLE BLADE SPEC.)

177. (38B)ANGLE BLADE LEVER(ANGLE BLADE SPEC.)

AIR CONDITIONER & HEATER

39. AIR CONDITIONER(UNIT)

40. AIR CONDITIONER(UNIT)(INNER PARTS)

41. AIR CONDITIONER(PIPING)

42. AIR CONDITIONER(ENGINE RELATED)

43. AIR CONDITIONER(CONDENSER RELATED)

44. AIR CONDITIONER(ELECTRIC PARTS)

45. HEATER(UNIT)

46. HEATER(UNIT)(INNER PARTS)

47. HEATER(PIPING)

48. DUCT(AIR CONDITIONER & HEATER)

TRAVELING

49. SPROCKET

50. IDLER & ADJUST

51. TRACK ROLLER(S SPEC.)(TO MAF204)

212. (51A)TRACK ROLLER(H SPEC.)(FROM MAF205)

52. CARRIER ROLLER

53. CRAWLER

171. (53A)CRAWLER(T SPEC.)

Fig. No. Fig. Name

CONTROL EQUIPMENT

54. VALVE MOUNT

55. TRAVEL PEDAL(FIXED TYPE)

203. (55A)TRAVEL PEDAL(FOLDING TYPE)

56. TRAVEL LEVER

57. SWING PEDAL

58. LINK COVER

59. PEDAL COVER

60. LEVER SPACER

61. BLADE LEVER

178. (61A)BLADE LEVER(ANGLE BLADE SPEC.)

62. ARMREST

63. LOCK LEVER & STAND

FRAME

64. TRACK FRAME

65. CRAWLER GUARD(IRON CRAWLER SPEC.)

66. COUNTER WEIGHT

67. TURNING FRAME

68. TURNING BEARING

COVER

69. COVER(MULTI)

70. UPPER COVER(1)

Contents

OCS10-M59200

Fig. No. Fig. Name

- 71. UPPER COVER(2)
- 72. COVER(TURNING FRAME)
- 73. COVER(TRAVEL FRAME)
- 74. FRAME GUARD(LEFT)
- 75. FRAME GUARD(RIGHT)
- 76. COVER(TURNING FRAME)(FRONT - LEFT)
- 77. COVER(TURNING FRAME)(FRONT - RIGHT)

AROUND SEAT

- 78. STEP(CABIN)
- 79. STEP(CANOPY)
- 80. COVER(LEVER)
- 81. COVER(MONITOR)(CANOPY)
- 82. COVER(MONITOR)(CABIN)(AIR CONDITIONER SPEC.)
- 83. COVER(MONITOR)(CABIN)(HEATER SPEC.)
- 84. SEAT MOUNT
- 85. COVER(SEAT MOUNT)
- 86. SEAT
- 87. SEAT(INNER PARTS)
- 88. HANDRAIL(LEFT)
- 89. HANDRAIL(RIGHT)

BONNET

- 90. BONNET(REAR)
- 91. BONNET(FRONT)

Fig. No. Fig. Name

- 92. BONNET(LEFT)
- 93. BONNET(RIGHT)

CANOPY

- 94. CANOPY
- 95. CANOPY MOUNT

CABIN

- 96. WINDOW WASHER
- 97. CABIN(ASSEMBLY)
- 98. CABIN DOOR(1)
- 99. CABIN DOOR(2)
- 100. CABIN(FRONT WINDOW)(1)
- 101. CABIN(FRONT WINDOW)(2)
- 102. CABIN(GLASS)
- 103. CABIN(REAR COVER)
- 104. CABIN(ELECTRIC PARTS)
- 105. CABIN(ACCESSORY)
- 106. REARVIEW MIRROR
- 107. CABIN MOUNT
- 108. BOX(CABIN HEATER SPEC.)

HYDRAULIC OIL EQUIPMENT

- 109. HYDRAULIC PUMP MOUNT
- 110. HYDRAULIC PUMP(QUICK COUPLER SPEC.)

Go to Discount-Equipment.com to order your parts

Contents

OCS10-M59200

Fig. No. Fig. Name

- 111. HYDRAULIC PUMP(E.S.S. SPEC.)
- 112. HYDRAULIC PUMP(E.S.S. & QUICK COUPLER SPEC.)
- 113. BOOM CYLINDER
- 114. ARM CYLINDER
- 115. ARM CYLINDER(QUICK COUPLER SPEC.)
- 116. BUCKET CYLINDER
- 117. SWING CYLINDER
- 118. BLADE CYLINDER
- 119. BLADE CYLINDER(QUICK COUPLER SPEC.)
- 179. (119A)BLADE CYLINDER(ANGLE BLADE SPEC.)
- 180. (119B)ANGLE CYLINDER(ANGLE BLADE SPEC.)
- 120. TRAVEL MOTOR
- 121. TURNING MOTOR
- 122. ACCUMULATOR
- 123. SWIVEL JOINT
- 181. (123A)SWIVEL JOINT(ANGLE BLADE SPEC.)
- 124. CONTROL VALVE(1/8)
- 159. (124A)CONTROL VALVE(2/8)
- 160. (124B)CONTROL VALVE(3/8)
- 161. (124C)CONTROL VALVE(4/8)
- 162. (124D)CONTROL VALVE(5/8)
- 163. (124E)CONTROL VALVE(6/8)
- 164. (124F)CONTROL VALVE(7/8)
- 165. (124G)CONTROL VALVE(8/8)
- 182. (124H)CONTROL VALVE(1/8)(ANGLE BLADE SPEC.)

Fig. No. Fig. Name

- 183. (124I)CONTROL VALVE(2/8)(ANGLE BLADE SPEC.)
- 184. (124J)CONTROL VALVE(3/8)(ANGLE BLADE SPEC.)
- 185. (124K)CONTROL VALVE(4/8)(ANGLE BLADE SPEC.)
- 186. (124L)CONTROL VALVE(5/8)(ANGLE BLADE SPEC.)
- 187. (124M)CONTROL VALVE(6/8)(ANGLE BLADE SPEC.)
- 188. (124N)CONTROL VALVE(7/8)(ANGLE BLADE SPEC.)
- 189. (124O)CONTROL VALVE(8/8)(ANGLE BLADE SPEC.)
- 125. REMOTE CONTROL VALVE(RIGHT)
- 126. REMOTE CONTROL VALVE(LEFT)
- 127. 2-WAY VALVE
- 190. (127A)2-WAY VALVE(ANGLE BLADE SPEC.)
- 128. SOLENOID VALVE(P.T.O.)(E.S.S. SPEC.)
- 129. SOLENOID VALVE(P.T.O.)
- 191. (129A)SOLENOID VALVE(P.T.O. 2)(ANGLE BLADE SPEC.)
- 192. (129B)SOLENOID VALVE BRACKET(P.T.O. 2)(ANGLE BLADE SPEC.)
- 130. HYD. OIL TANK
- 148. QUICK COUPLER(HITCH CYLINDER)

HYDRAULIC OIL PIPING

- 131. TANK - PUMP & CONTROL VALVE
- 132. CONTROL VALVE - TURNING MOTOR
- 133. CONTROL VALVE(FITTING)(1)
- 193. (133A)CONTROL VALVE(FITTING)(1)(ANGLE BLADE SPEC.)
- 134. CONTROL VALVE(FITTING)(2)
- 194. (134A)CONTROL VALVE(FITTING)(2)(ANGLE BLADE SPEC.)

Contents

OCS10-M59200

Fig. No. Fig. Name

- 135. CONTROL VALVE - RETURN & DRAIN
- 136. CONTROL VALVE - BOOM BULKHEAD & SWING
- 137. CONTROL VALVE - BOOM CYLINDER
- 138. CONTROL VALVE - SWIVEL JOINT
- 195. (138A)CONTROL VALVE - SWIVEL JOINT(ANGLE BLADE SPEC.)
- 139. TRAVEL FRAME
- 196. (139A)TRAVEL FRAME(ANGLE BLADE SPEC.)
- 140. ARM CYLINDER & BUCKET CYLINDER
- 141. P.T.O.(CONTROL VALVE - BOOM)
- 142. P.T.O.(BOOM - ARM END)
- 143. P.T.O.(SOLENOID VALVE)
- 197. (143A)P.T.O.(SOLENOID VALVE)(ANGLE BLADE SPEC.)
- 144. P.T.O.(SOLENOID VALVE & E.S.S.)
- 198. (144A)P.T.O.(SOLENOID VALVE & E.S.S.)(ANGLE BLADE SPEC.)
- 199. (144B)P.T.O.2(ANGLE BLADE)(ANGLE BLADE SPEC.)
- 145. CONTROL PIPING(1)
- 200. (145A)CONTROL PIPING(1)(ANGLE BLADE SPEC.)
- 146. CONTROL PIPING(2)
- 147. GREASING
- 149. QUICK COUPLER(HYD. OIL PIPING)(1)
- 150. QUICK COUPLER(HYD. OIL PIPING)(2)

IMPLEMENT

- 151. QUICK COUPLER(BODY)
- 152. BOOM BRACKET

Fig. No. Fig. Name

- 153. BOOM
- 154. ARM
- 155. BUCKET ARM & LINK
- 156. BLADE
- 157. BLADE(QUICK COUPLER SPEC.)
- 201. (157A)BLADE(ANGLE BLADE SPEC.)
- 172. BUCKET PIN
- 173. BUCKET

OPTIONAL & KIT

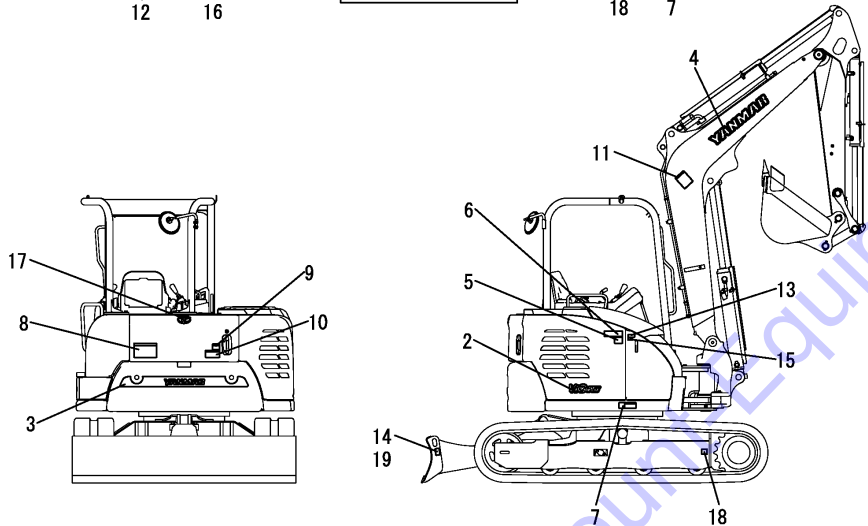
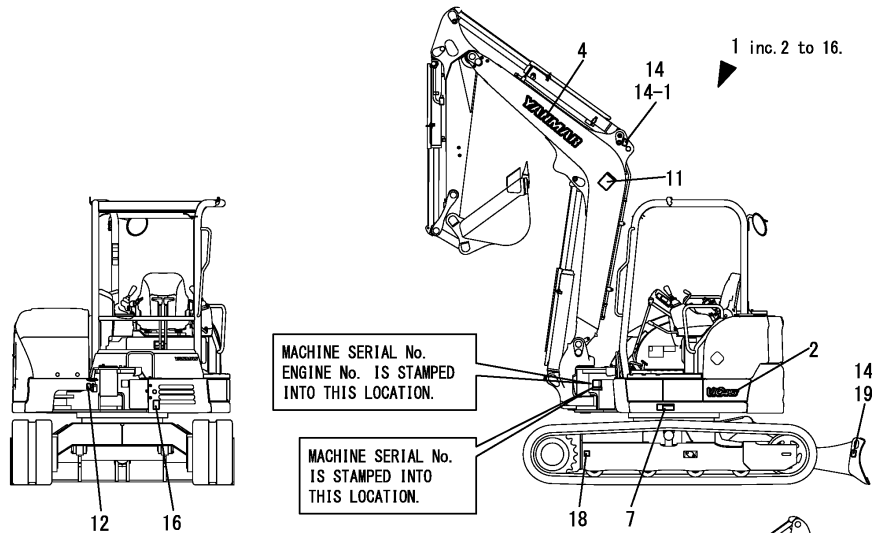
- 158. LABEL KIT(FOR CANADA)(OPTIONAL)
- 202. (158A)LABEL KIT(FOR CANADA)(ANGLE BLADE SPEC.)(OPTIONAL)
- 166. P.T.O. STOP VALVE CONNECTER KIT(OPTIONAL)
- 167. REMOTE CONTROLLER KIT(OPTIONAL)
- 168. RADIO KIT(OPTIONAL)NO RADIO
- 169. P.T.O. OVER LOAD VALVE KIT(OPTIONAL)
- 170. ADDITIONAL WEIGHT KIT(OPTIONAL)(TO MBF191)
- 209. (170A)ADDITIONAL WEIGHT KIT(OPTIONAL)(FROM MBF192)

Fig.1. LABEL(EXTERIOR)(TO MAF000)

(A)=VIO45-6A P(US)
 (B)=VIO45-6A C(US)
 (C)=

(D)=
 (E)=
 (F)=

No.	Lev.	Parts No.	Description	Q'ty						I	R
				(A)	(B)	(C)	(D)	(E)	(F)		
1	1	172B04-08120	LABEL SET,OUT EX	1	1						
2	2	172B04-03150	LABEL, MODEL L R 45	2	2						
3	2	172B04-03160	LABEL,REAR 45 55	1	1						
4	2	172A65-03230	LABEL, YANMAR 627	2	2						
5	2	172463-03290	LABEL, HYD.OIL	1	1						
6	2	172437-03322	LABEL, RESEVOIR	1	1						
7	2	172437-03352	LABEL, CYLINDER	2	2						
8	2	172437-03381	LABEL, SWING AREA	1	1						
9	2	172437-03402	LABEL, ENGINE COVER	1	1						
10	2	172A36-03411	LABEL, ENGINE ROOM	1	1						
11	2	172437-03461	LABEL, BOOM	2	2						
12	2	172B03-03460	LABEL, GREASE US	1	1						
13	2	172437-03501	LABEL, FUEL	1	1						
14	2	172437-03511	LABEL, LIFTING	3	3						
14-1	2	172437-03511	LABEL, LIFTING	1	1						K
		(A=M6G829) (B=M6G829)									
15	2	114110-07761	LABEL, FUEL OIL CAUT	1	1						
16	2	172B04-03250	LABEL,PTO SELECT EX	1	1						
17	1	41800-310040	EMBLEM, L 04	1	1						
18	1	172B03-03930	LABEL,TIE-DOWN	2	2						W
		(A=M6G829) (B=M6G829)									
19	1	172B03-03940	LABEL,LIFTING & TIE	2	2						W
		(A=M6G829) (B=M6G829)									



SAFETY LABEL

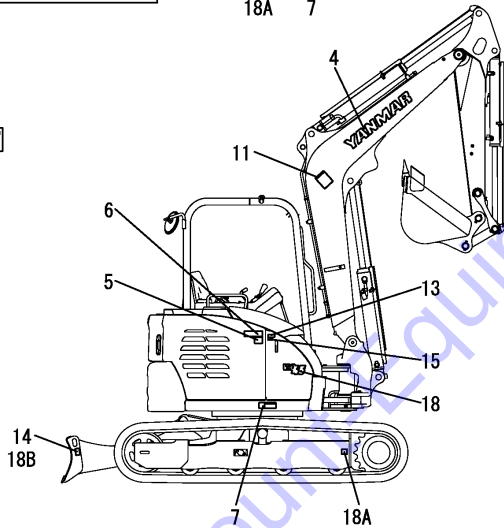
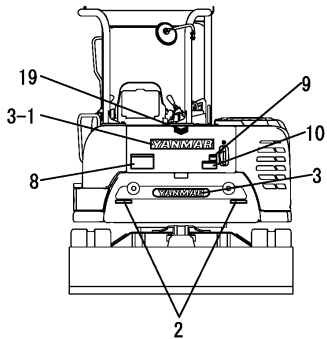
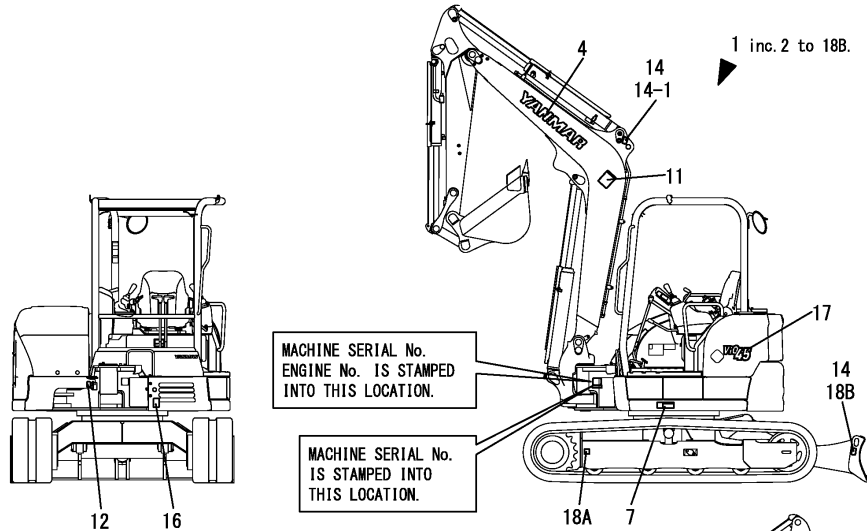
6	7	8	9	10	11

Fig.204. (1A)LABEL(EXTERIOR)(FROM MAF001)

(A)=VIO45-6A P(US)
 (B)=VIO45-6A C(US)
 (C)=

(D)=
 (E)=
 (F)=

No.	Lev.	Parts No.	Description	Q'ty						I	R
				(A)	(B)	(C)	(D)	(E)	(F)		
1	1	172B04-08121	LABEL SET,OUT EX D	1	1						
1-1	1	172B04-08122	LABEL SET,OUT EX D	1	1						S
		(A=MAF192) (B=MAF192)									
2	2	172B04-03980	LABEL, REFLECTOR M	2	2						
3	2	172B04-04790	LABEL,REAR 45	1	1						
3-1	2	172A86-03820	LABEL, YANMAR 560 B	1	1						S
		(A=MAF192) (B=MAF192)									
4	2	172A86-03830	LABEL, YANMAR 710 B	2	2						
5	2	172463-03290	LABEL, HYD.OIL	1	1						
6	2	172437-03322	LABEL, RESEVOIR	1	1						
7	2	172437-03352	LABEL, CYLINDER	2	2						
8	2	172437-03381	LABEL, SWING AREA	1	1						
8-1	2	172A64-03380	LABEL, SWING AREA US	1	1						N
		(A=MAF192) (B=MAF192)									
9	2	172437-03402	LABEL, ENGINE COVER	1	1						
10	2	172A36-03411	LABEL, ENGINE ROOM	1	1						
11	2	172437-03461	LABEL, BOOM	2	2						
12	2	172B03-03460	LABEL, GREASE US	1	1						
13	2	172437-03501	LABEL, FUEL	1	1						
14	2	172437-03511	LABEL, LIFTING	3	3						
14-1	2	172437-03511	LABEL, LIFTING	1	1						K
		(A=M6G829) (B=M6G829)									
15	2	114110-07761	LABEL, FUEL OIL CAUT	1	1						
16	2	172B04-03250	LABEL,PTO SELECT EX	1	1						
17	2	172B04-04470	LABEL,MODEL VIO45 L	1	1						
18	2	172B04-04480	LABEL,MODEL VIO45 R	1	1						
18A	2	172B03-03930	LABEL,TIE-DOWN	2	2						W
		(A=M6G829) (B=M6G829)									
18B	2	172B03-03940	LABEL,LIFTING & TIE	2	2						W
		(A=M6G829) (B=M6G829)									
19	1	172B04-03650	EMBLEM ASSY,FY L4 Y	1	1						



SAFETY LABEL

6

7

8

9

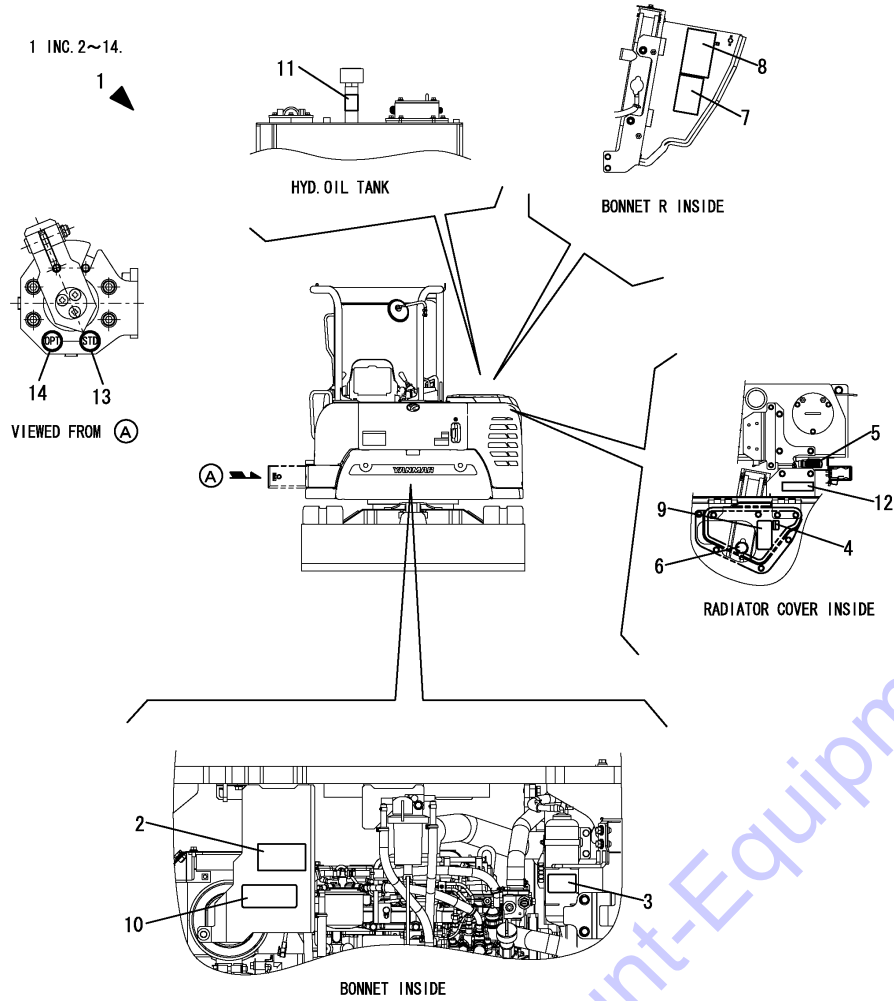
10

11

Fig.2. LABEL(BONNET INSIDE)

(A)=VIO45-6A P(US)
 (B)=VIO45-6A C(US)
 (C)=

(D)=
 (E)=
 (F)=



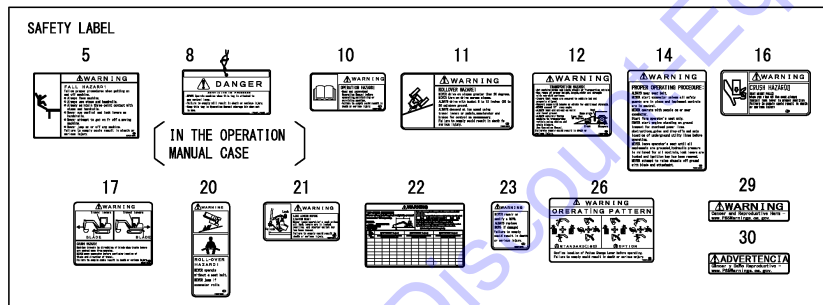
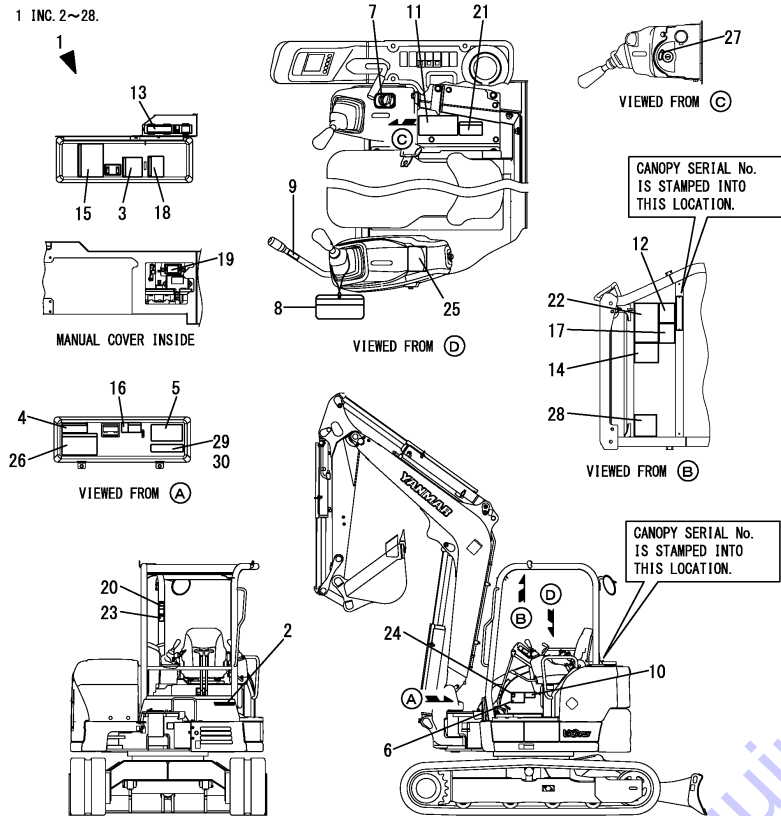
No.	Lev.	Parts No.	Description	Q'ty						I	R
				(A)	(B)	(C)	(D)	(E)	(F)		
1	1	172B04-08170	LABEL SET,IN US	1	1						
2	2	172A07-03160	LABEL	1	1						
3	2	172A38-03201	LABEL, SUB TANK	1	1						
4	2	172A38-03211	LABEL, ANTI-FREEZING	1	1						
5	2	172B04-03260	LABEL,FUSE	1	1						
6	2	172462-03320	LABEL, RADIATOR	1	1						
7	2	172A69-03350	LABEL,BATTERY COVER	1	1						
8	2	172437-03361	LABEL, BATTERY	1	1						
9	2	172437-03391	LABEL, RADIATOR	1	1						
10	2	172B03-03390	LABEL,SILENCER EX	1	1						
11	2	172B04-03490	LABEL,RESERVOIR EX	1	1						
12	2	172125-03951	LABEL, AIR CLEANER	1	1						
13	2	172437-03610	LABEL	1	1						
14	2	172437-03620	LABEL	1	1						

SAFETY LABEL

Fig.3. LABEL(CANOPY)(TO MAF000)

(A)=VIO45-6A P(US)
 (B)=VIO45-6A C(US)
 (C)=

(D)=
 (E)=
 (F)=



No.	Lev.	Parts No.	Description	Q'ty						I	R
				(A)	(B)	(C)	(D)	(E)	(F)		
1	1	172B04-08240	LABEL SET,4P US	1							
2	2	172B03-03181	LABEL,BRANDLOGO 200	1							
3	2	172437-03242	LABEL, CRAWLER	1							1
4	2	172B04-03110	LABEL,SPEC US	1							
5	2	172472-03141	LABEL, SUPPORT	1							
6	2	172B03-03200	LABEL, OPERATION	1							
7	2	172A69-03220	LABEL,ACCELERATOR	1							
8	2	172437-03252	TAG ASSY, CAUTION	1							
9	2	172183-03280	LABEL, LOCK	1							
10	2	172437-03302	LABEL, MANUAL	1							
11	2	172437-03312	LABEL, SLOPE	1							
12	2	172437-03343	LABEL, TRANSPORT	1							
13	2	172B04-03350	LABEL,RELAY BOX STD	1							
14	2	172437-03372	LABEL, NEUTRAL	1							
15	2	172B04-03380	LABEL,OIL/WATER US	1							
16	2	172B03-03410	LABEL,SEAT TILT UP	1							
17	2	172437-03432	LABEL, STEERING	1							
18	2	172B04-03430	LABEL,GREASING EX	1							
19	2	172B04-03440	LABEL,FUSE BOX US	1							
20	2	172437-03451	LABEL, SEAT BELT	1							
21	2	172437-03471	LABEL, LEVER LOCK	1							
22	2	172B04-03480	LABEL,LIFT EX	1							
23	2	172437-03441	LABEL, ROPS	1							
24	2	172A79-03150	LABEL,PTO SWITCH	1							
24-1	2	172B04-03270	LABEL, PTO SWITCH	1							N
		(A=M60585)									
25	2	172A47-03371	LABEL,PTO EX	1							
26	2	172437-03601	LABEL, 2-WAY US	1							
27	2	172B03-03220	LABEL,SW	1							
28	2	172B04-03370	LABEL, DPF EX	1							
29	1	172B03-03800	LABEL,CAL P65 US	1							W 2
		(A=MAF205)									
30	1	172B03-03810	LABEL,CAL P65 SP	1							W 2
		(A=MAF205)									

Remarks

* DPF: DPF stands for DIESEL PARTICULATE FILTER.

* Not applied for angle blade specification.

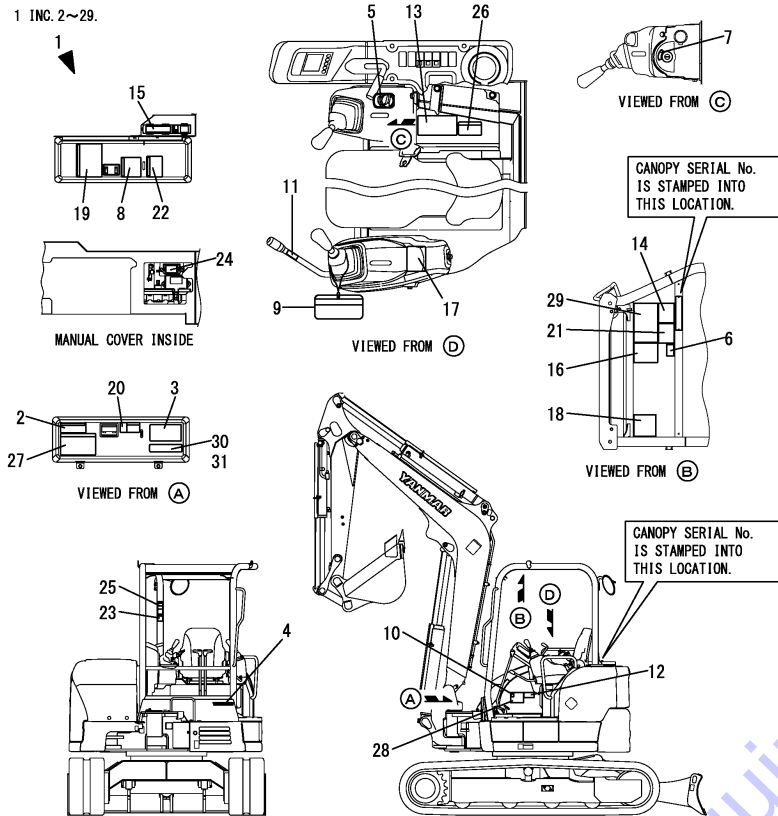
(1)Rubber crawler specification.

(2)Optional : CALIFORNIA

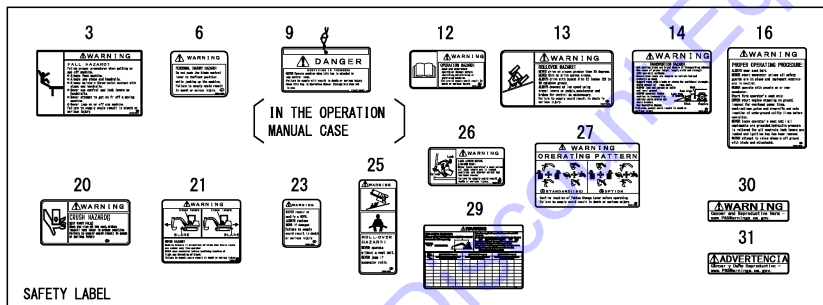
Fig.174. (3B)LABEL(CANOPY)(ANGLE BLADE SPEC.)(TO MAF000)

(A)=VIO45-6A P(US)
 (B)=VIO45-6A C(US)
 (C)=

(D)=
 (E)=
 (F)=



No.	Lev.	Parts No.	Description	Q'ty						I	R
				(A)	(B)	(C)	(D)	(E)	(F)		
1	1	172B04-08220	LABEL SET,4P US ANG	1							
2	2	172B04-03070	LABEL, SPEC US ANGLE	1							
3	2	172472-03141	LABEL,SUPPORT US	1							
4	2	172B03-03181	LABEL,BRANDLOGO 200	1							
5	2	172A69-03220	LABEL,ACCELERATOR	1							
6	2	172A79-03220	LABEL,WARNING ANGLE	1							
7	2	172B03-03220	LABEL,SW	1							
8	2	172437-03242	LABEL,ADJUST CRAWLER	1							1
9	2	172437-03252	TAG ASSY, CAUTION	1							
10	2	172B04-03270	LABEL, PTO SWITCH	1							
11	2	172183-03280	LABEL,LOCK	1							
12	2	172437-03302	LABEL,MANUAL US	1							
13	2	172437-03312	LABEL,SLOPE US	1							
14	2	172437-03343	LABEL,TRANSPORT US	1							
15	2	172B04-03350	LABEL,RELAY BOX STD	1							
16	2	172437-03372	LABEL,NEWTRAL US	1							
17	2	172A47-03371	LABEL,PTO EX	1							
18	2	172B04-03370	LABEL, DPF EX	1							
19	2	172B04-03380	LABEL,OIL/WATER US	1							
20	2	172B03-03410	LABEL,SEAT TILT UP	1							
21	2	172437-03432	LABEL,STERRING US	1							
22	2	172B04-03430	LABEL,GREASING EX	1							
23	2	172437-03441	LABEL,ROPS US	1							
24	2	172B04-03440	LABEL,FUSE BOX US	1							
25	2	172437-03451	LABEL,SEAT BELT US	1							
26	2	172437-03471	LABEL,LEVER LOCK US	1							
27	2	172437-03601	LABEL,2 WAY US	1							
28	2	172B03-03670	LABEL, OPERATION ANG	1							
29	2	172B04-03680	LABEL,LIFT ANGLE	1							
30	1	172B03-03800	LABEL,CAL P65 US	1							W 2
		(A=MAF205)									
31	1	172B03-03810	LABEL,CAL P65 SP	1							W 2
		(A=MAF205)									



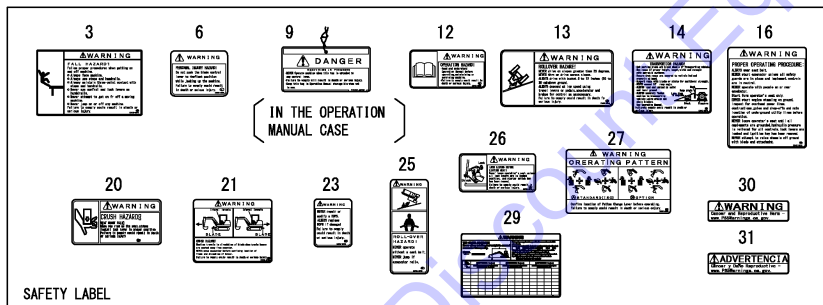
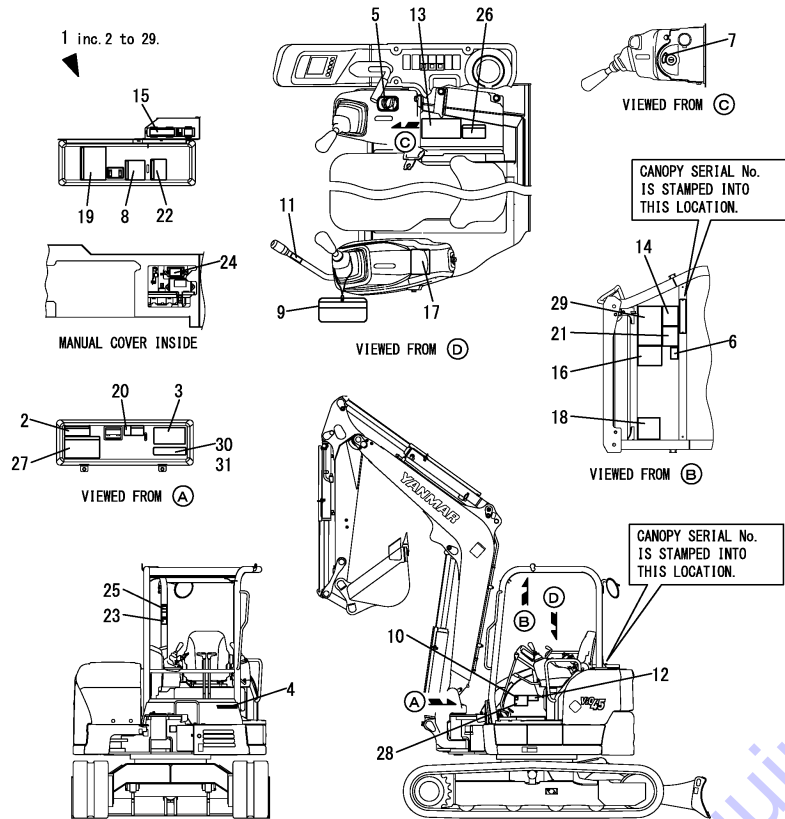
Remarks

- * Exclusive figure for angle blade specification.
- * DPF: DPF stands for DIESEL PARTICULATE FILTER.
- (1)Rubber crawler specification.
- (2)Optional : CALIFORNIA

Fig.206. (3C)LABEL(CANOPY)(ANGLE BLADE SPEC.)(FROM MAF001)

(A)=VIO45-6A P(US)
 (B)=VIO45-6A C(US)
 (C)=

(D)=
 (E)=
 (F)=



No.	Lev.	Parts No.	Description	Q'ty						I	R
				(A)	(B)	(C)	(D)	(E)	(F)		
1	1	172B04-08221	LABEL SET,4P US ANG	1							
2	2	172B04-03070	LABEL, SPEC US ANGLE	1							
3	2	172472-03141	LABEL,SUPPORT US	1							
4	2	172B16-03180	LABEL,BRANDLOGO 200	1							
5	2	172A69-03220	LABEL,ACCELERATOR	1							
6	2	172A79-03220	LABEL,WARNING ANGLE	1							
7	2	172B03-03220	LABEL,SW	1							
8	2	172437-03242	LABEL,ADJUST CRAWLER	1							1
9	2	172437-03252	TAG ASSY, CAUTION	1							
10	2	172B04-03270	LABEL, PTO SWITCH	1							
10-1	2	172B04-03730	LABEL, PTO SWITCH HD	1							N
(A=MAF204)											
11	2	172183-03280	LABEL,LOCK	1							
12	2	172437-03302	LABEL,MANUAL US	1							
13	2	172437-03312	LABEL,SLOPE US	1							
14	2	172437-03343	LABEL,TRANSPORT US	1							
15	2	172B04-03350	LABEL,RELAY BOX STD	1							
16	2	172437-03372	LABEL,NEWTRAL US	1							
17	2	172A47-03371	LABEL,PTO EX	1							
18	2	172B04-03370	LABEL, DPF EX	1							
19	2	172B04-03380	LABEL,OIL/WATER US	1							
20	2	172B03-03410	LABEL,SEAT TILT UP	1							
21	2	172437-03432	LABEL,STERRING US	1							
22	2	172B04-03430	LABEL,GREASING EX	1							
23	2	172437-03441	LABEL,ROPS US	1							
24	2	172B04-03440	LABEL,FUSE BOX US	1							
25	2	172437-03451	LABEL,SEAT BELT US	1							
26	2	172437-03471	LABEL,LEVER LOCK US	1							
27	2	172437-03601	LABEL,2 WAY US	1							
28	2	172B03-03670	LABEL, OPERATION ANG	1							
29	2	172B04-03680	LABEL,LIFT ANGLE	1							
30	1	172B03-03800	LABEL,CAL P65 US	1							W 2
(A=MAF205)											
31	1	172B03-03810	LABEL,CAL P65 SP	1							W 2
(A=MAF205)											

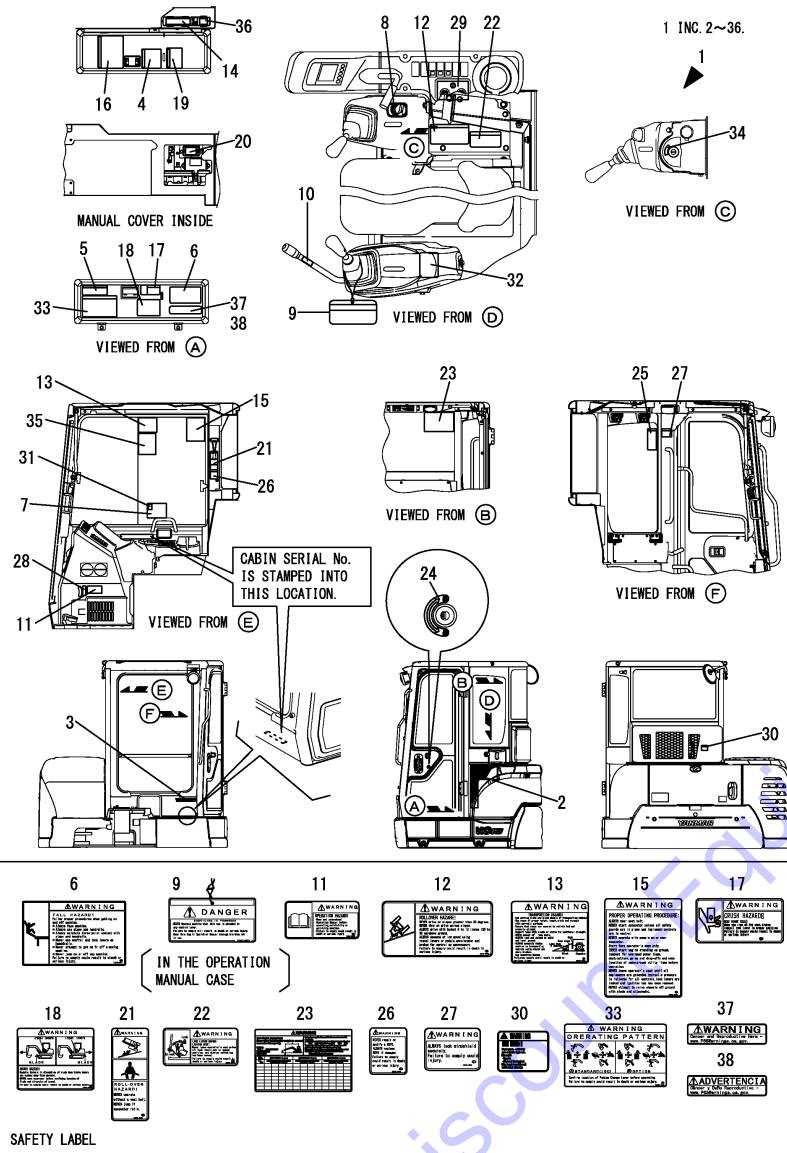
Remarks

- * Exclusive figure for angle blade specification.
- * DPF: DPF stands for DIESEL PARTICULATE FILTER.
- (1)Rubber crawler specification.
- (2)Optional : CALIFORNIA

Fig.4. LABEL(CABIN)(TO MAF000)

(A)=VIO45-6A P(US)
 (B)=VIO45-6A C(US)
 (C)=

(D)=
 (E)=
 (F)=



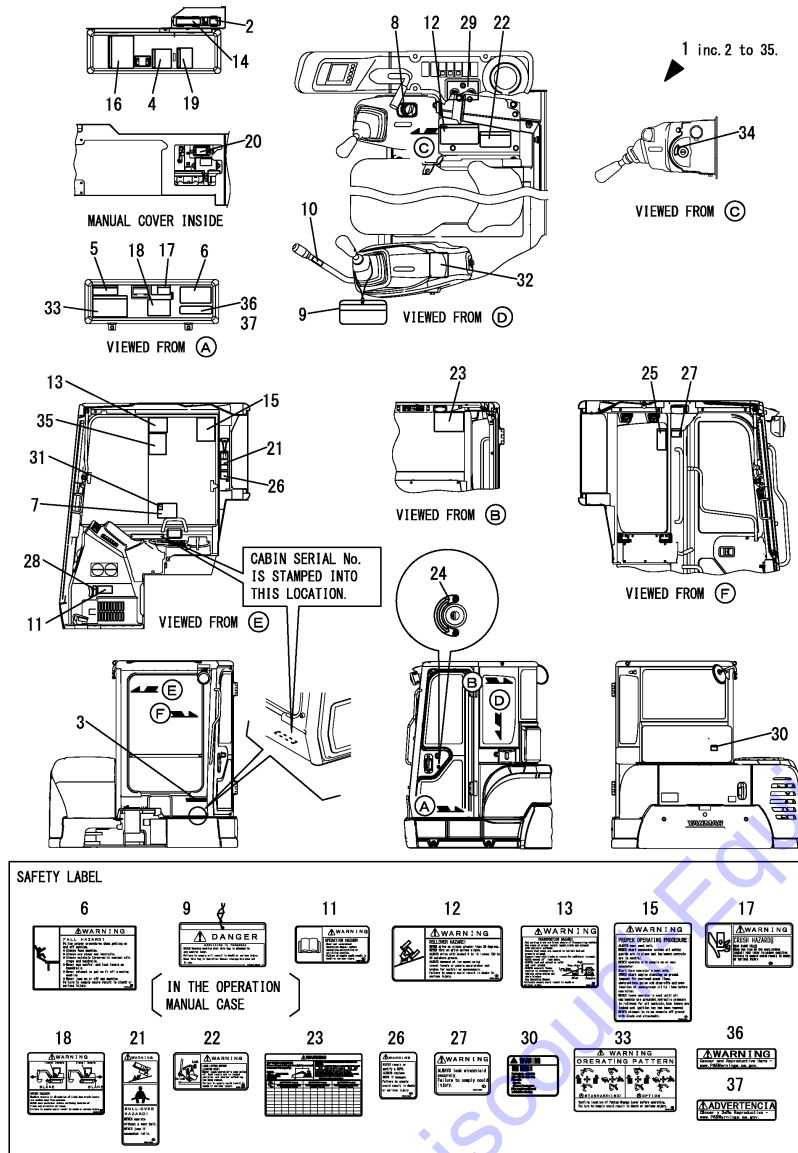
No.	Lev.	Parts No.	Description	Q'ty						I	R
				(A)	(B)	(C)	(D)	(E)	(F)		
1	1	172B04-08270	LABEL SET,CAB US	1							
2	2	172B03-03170	LABEL,CAB L		1						
3	2	172B03-03181	LABEL,BRANDLOGO 200	1							
4	2	172437-03242	LABEL, CRAWLER		1						1
5	2	172B04-03110	LABEL,SPEC US	1							
6	2	172472-03141	LABEL, SUPPORT	1							
7	2	172B03-03200	LABEL, OPERATION	1							
8	2	172A69-03220	LABEL,ACCELERATOR	1							
9	2	172437-03252	TAG ASSY, CAUTION	1							
10	2	172183-03280	LABEL, LOCK	1							
11	2	172437-03302	LABEL, MANUAL	1							
12	2	172437-03312	LABEL, SLOPE	1							
13	2	172437-03343	LABEL, TRANSPORT	1							
14	2	172B04-03350	LABEL,RELAY BOX STD	1							
15	2	172437-03372	LABEL, NEUTRAL	1							
16	2	172B04-03380	LABEL,OIL/WATER US	1							
17	2	172B03-03410	LABEL,SEAT TILT UP	1							
18	2	172437-03432	LABEL, STEERING	1							
19	2	172B04-03430	LABEL,GREASING EX	1							
20	2	172B04-03440	LABEL,FUSE BOX US	1							
21	2	172437-03451	LABEL, SEAT BELT	1							
22	2	172437-03471	LABEL, LEVER LOCK	1							
23	2	172B04-03480	LABEL,LIFT EX	1							
24	2	172B03-03280	LABEL,DOOR KEY LOCK	1							
25	2	172463-03320	LABEL,F/W LOWER US	1							
26	2	172437-03441	LABEL, ROPS	1							
27	2	172437-03551	LABEL, WINDOW US	1							
28	2	172B03-03240	LABEL,AIR SELECT	1							
29	2	172B03-03250	LABEL,SW A/C	1							2
30	2	172B03-03420	LABEL,WARNING A/C US	1							2
31	2	172A79-03150	LABEL,PTO SWITCH	1							
31-1	2	172B04-03270 (B=M60585)	LABEL, PTO SWITCH	1							N
32	2	172A47-03371	LABEL,PTO EX	1							
33	2	172437-03601	LABEL, 2-WAY US	1							
34	2	172B03-03220	LABEL,SW	1							
35	2	172B04-03370	LABEL, DPF EX	1							
36	2	172B04-03360	LABEL,RELAY BOX OP	1							2
37	1	172B03-03800 (B=MAF205)	LABEL,CAL P65 US	1							W 3
38	1	172B03-03810 (B=MAF205)	LABEL,CAL P65 SP	1							W 3

Remarks
 * DPF: DPF stands for DIESEL PARTICULATE FILTER.
 * Not applied for angle blade specification.
 (1)Rubber crawler specification.
 (2)Air Conditioner specification.
 (3)Optional : CALIFORNIA

Fig.207. (4A)LABEL(CABIN)(FROM MAF001)

(A)=VIO45-6A P(US)
 (B)=VIO45-6A C(US)
 (C)=

(D)=
 (E)=
 (F)=



No.	Lev.	Parts No.	Description	Q'ty						I	R
				(A)	(B)	(C)	(D)	(E)	(F)		
1	1	172B04-08271	LABEL SET,CAB US D	1							
2	2	172B04-03360	LABEL,RELAY BOX OP (B=M6G084)	1							Z
3	2	172B16-03180	LABEL,BRANDLOGO 200		1						
4	2	172437-03242	LABEL, CRAWLER		1						1
5	2	172B04-03110	LABEL,SPEC US	1							
6	2	172472-03141	LABEL, SUPPORT	1							
7	2	172B03-03200	LABEL, OPERATION	1							
8	2	172A69-03220	LABEL,ACCELERATOR	1							
9	2	172437-03252	TAG ASSY, CAUTION	1							
10	2	172183-03280	LABEL, LOCK	1							
11	2	172437-03302	LABEL, MANUAL	1							
12	2	172437-03312	LABEL, SLOPE	1							
13	2	172437-03343	LABEL, TRANSPORT	1							
14	2	172B04-03350	LABEL,RELAY BOX STD	1							
15	2	172437-03372	LABEL, NEUTRAL	1							
16	2	172B04-03380	LABEL,OIL/WATER US	1							
17	2	172B03-03410	LABEL,SEAT TILT UP	1							
18	2	172437-03432	LABEL, STEERING	1							
19	2	172B04-03430	LABEL,GREASING EX	1							
20	2	172B04-03440	LABEL,FUSE BOX US	1							
21	2	172437-03451	LABEL, SEAT BELT	1							
22	2	172437-03471	LABEL, LEVER LOCK	1							
23	2	172B04-03480	LABEL,LIFT EX	1							
23-1	2	172B04-03481	LABEL, LIFT EX (B=MAF023)	1							N
23-2	2	172B04-03482	LABEL,LIFT EX (B=MAF192)	1							N
24	2	172B03-03280	LABEL,DOOR KEY LOCK		1						
25	2	172463-03320	LABEL,F/W LOWER US	1							
26	2	172437-03441	LABEL, ROPS	1							
27	2	172437-03551	LABEL, WINDOW US	1							
28	2	172B03-03240	LABEL,AIR SELECT	1							
29	2	172B03-03250	LABEL,SW A/C	1							2
30	2	172B03-03420	LABEL,WARNING A/C US	1							2
31	2	172B04-03270	LABEL, PTO SWITCH	1							
31-1	2	172B04-03730	LABEL, PTO SWITCH HD (B=MAF204)	1							N
32	2	172A47-03371	LABEL,PTO EX		1						
33	2	172437-03601	LABEL, 2-WAY US	1							
34	2	172B03-03220	LABEL,SW	1							
35	2	172B04-03370	LABEL, DPF EX	1							
36	1	172B03-03800	LABEL,CAL P65 US (B=MAF205)	1							W 3
37	1	172B03-03810	LABEL,CAL P65 SP (B=MAF205)	1							W 3

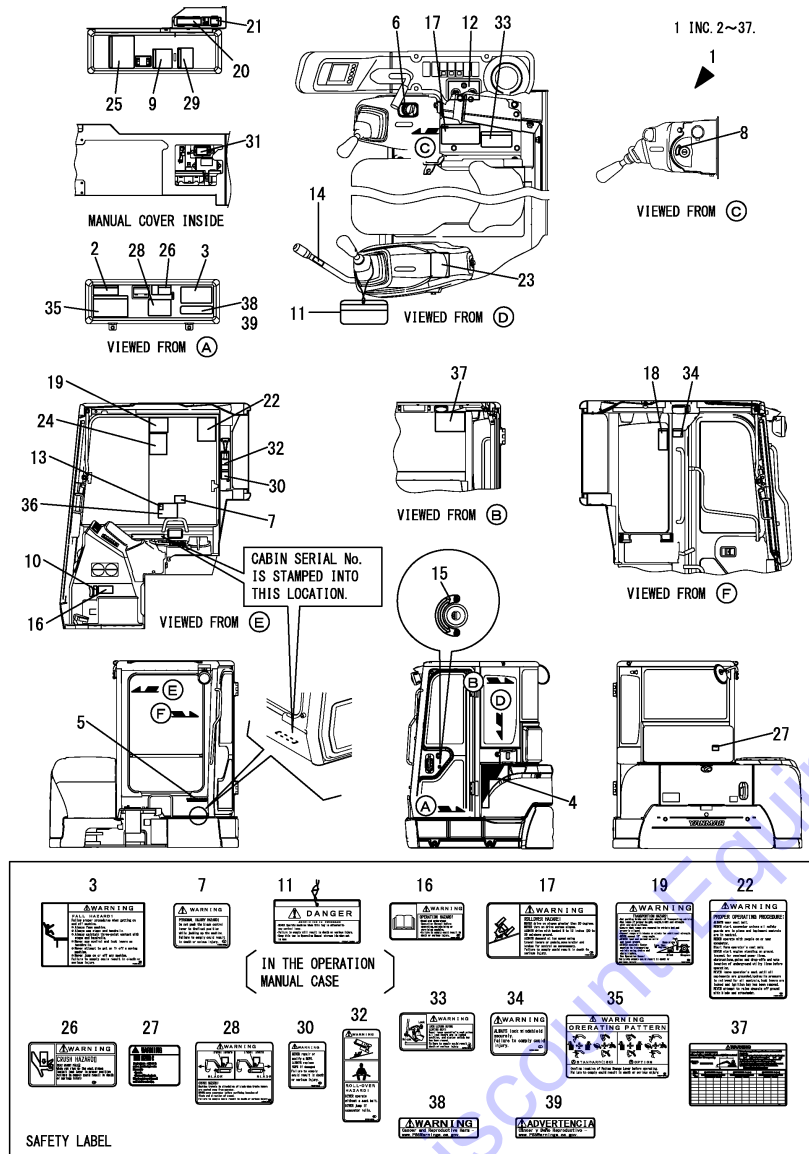
Remarks

- * DPF: DPF stands for DIESEL PARTICULATE FILTER.
- * Not applied for angle blade specification.
- (1)Rubber crawler specification.
- (2)Air Conditioner specification.
- (3)Optional : CALIFORNIA

Fig.175. (4B)LABEL(CABIN)(ANGLE BLADE SPEC.)(TO MAF000)

(A)=VIO45-6A P(US)
 (B)=VIO45-6A C(US)
 (C)=

(D)=
 (E)=
 (F)=



No.	Lev.	Parts No.	Description	Q'ty						I	R
				(A)	(B)	(C)	(D)	(E)	(F)		
1	1	172B04-08280	LABEL SET,CAB US ANG	1							
2	2	172B04-03070	LABEL, SPEC US ANGLE	1							
3	2	172472-03141	LABEL,SUPPORT US	1							
4	2	172B03-03170	LABEL,CAB L	1							
5	2	172B03-03181	LABEL,BRANDLOGO 200	1							
6	2	172A69-03220	LABEL,ACCELERATOR	1							
7	2	172A79-03220	LABEL,WARNING ANGLE	1							
8	2	172B03-03220	LABEL,SW	1							
9	2	172437-03242	LABEL,ADJUST CRAWLER	1							1
10	2	172B03-03240	LABEL,AIR SELECT	1							
11	2	172437-03252	TAG ASSY, CAUTION	1							
12	2	172B03-03250	LABEL,SW A/C	1							2
13	2	172B04-03270	LABEL, PTO SWITCH	1							
14	2	172183-03280	LABEL,LOCK	1							
15	2	172B03-03280	LABEL,DOOR KEY LOCK	1							
16	2	172437-03302	LABEL,MANUAL US	1							
17	2	172437-03312	LABEL,SLOPE US	1							
18	2	172463-03320	LABEL,F/W LOWER US	1							
19	2	172437-03343	LABEL,TRANSPORT US	1							
20	2	172B04-03350	LABEL,RELAY BOX STD	1							
21	2	172B04-03360	LABEL,RELAY BOX OP	1							2
22	2	172437-03372	LABEL,NEWTRAL US	1							
23	2	172A47-03371	LABEL,PTO EX	1							
24	2	172B04-03370	LABEL, DPF EX	1							
25	2	172B04-03380	LABEL,OIL/WATER US	1							
26	2	172B03-03410	LABEL,SEAT TILT UP	1							
27	2	172B03-03420	LABEL,WARNING A/C US	1							2
28	2	172437-03432	LABEL,STERRING US	1							
29	2	172B04-03430	LABEL,GREASING EX	1							
30	2	172437-03441	LABEL,ROPS US	1							
31	2	172B04-03440	LABEL,FUSE BOX US	1							
32	2	172437-03451	LABEL,SEAT BELT US	1							
33	2	172437-03471	LABEL,LEVER LOCK US	1							
34	2	172437-03551	LABEL,WINDOW US	1							
35	2	172437-03601	LABEL,2 WAY US	1							
36	2	172B03-03670	LABEL, OPERATION ANG	1							
37	2	172B04-03680	LABEL,LIFT ANGLE	1							
38	1	172B03-03800	LABEL,CAL P65 US (B=MAF205)	1							W 3
39	1	172B03-03810	LABEL,CAL P65 SP (B=MAF205)	1							W 3

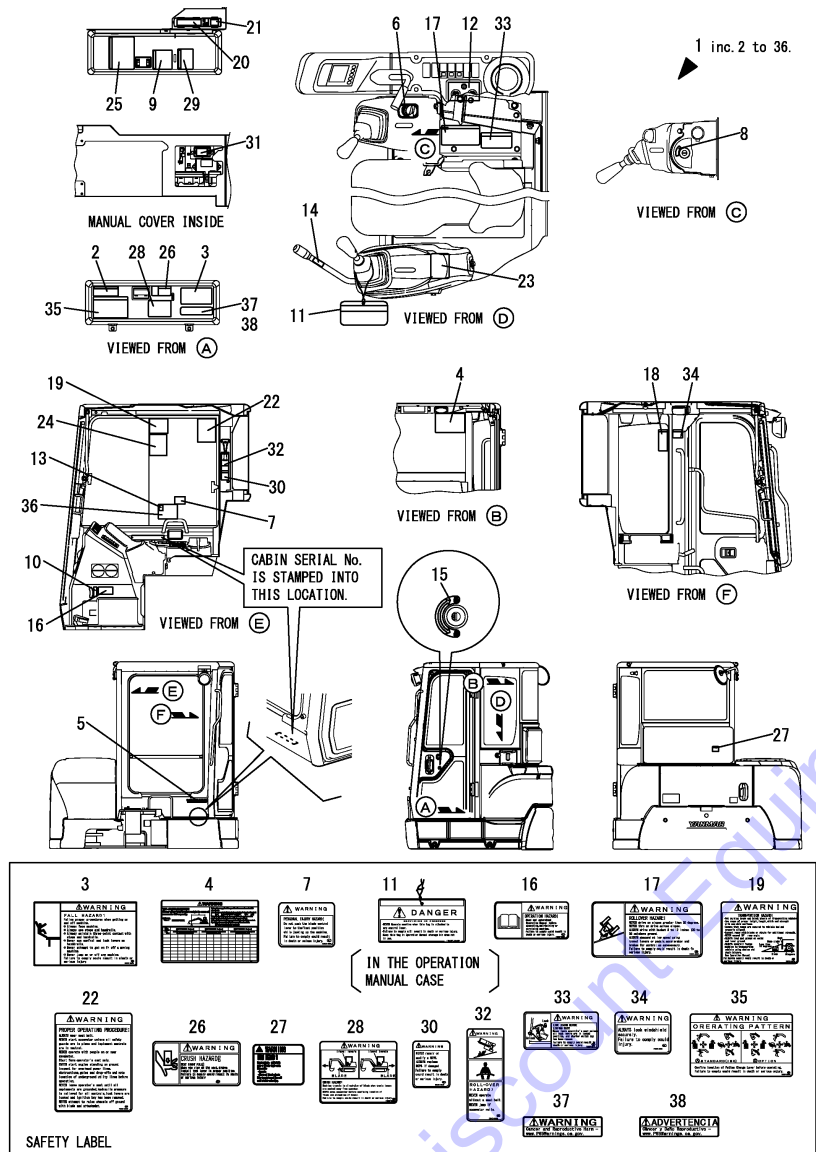
Remarks

- * Exclusive figure for angle blade specification.
- * DPF: DPF stands for DIESEL PARTICULATE FILTER.
- (1)Rubber crawler specification.
- (2)Air Conditioner specification.
- (3)Optional : CALIFORNIA

Fig.208. (4C)LABEL(CABIN)(ANGLE BLADE SPEC.)(FROM MAF001)

(A)=VIO45-6A P(US)
 (B)=VIO45-6A C(US)
 (C)=

(D)=
 (E)=
 (F)=



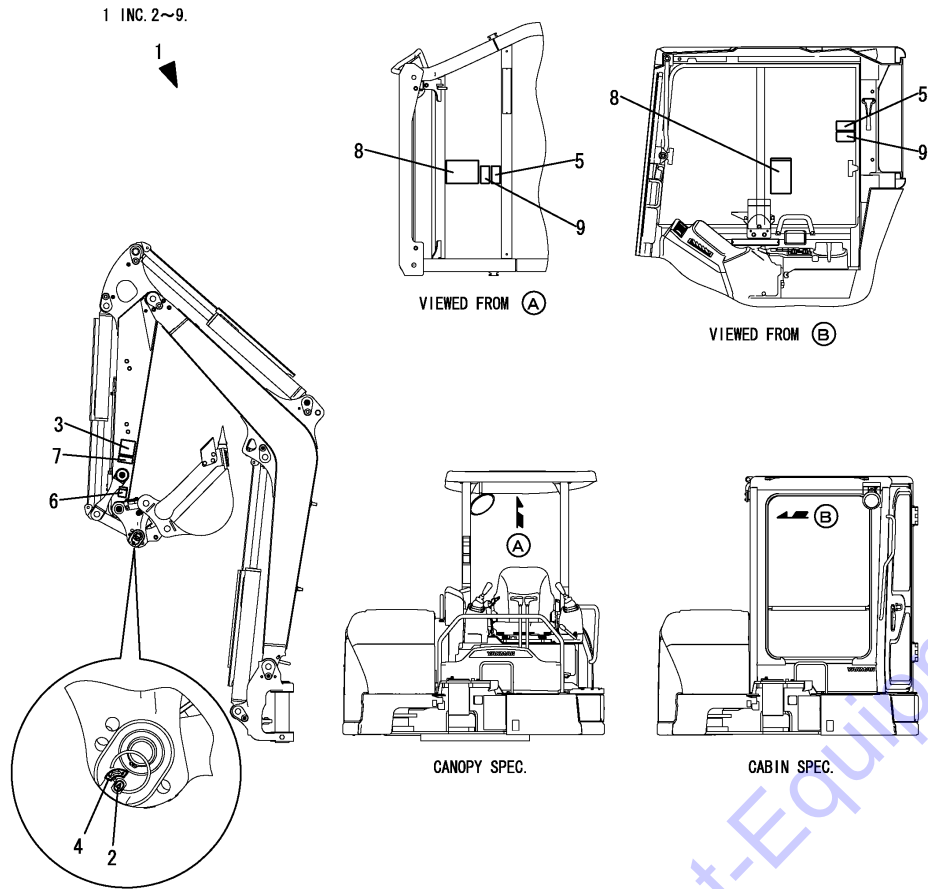
No.	Lev.	Parts No.	Description	Q'ty						I	R
				(A)	(B)	(C)	(D)	(E)	(F)		
1	1	172B04-08281	LABEL SET,CAB US ANG	1							
2	2	172B04-03070	LABEL, SPEC US ANGLE	1							
3	2	172472-03141	LABEL,SUPPORT US	1							
4	2	172B04-03680	LABEL,LIFT ANGLE	1							
5	2	172B16-03180	LABEL,BRANDLOGO 200	1							
6	2	172A69-03220	LABEL,ACCELERATOR	1							
7	2	172A79-03220	LABEL,WARNING ANGLE	1							
8	2	172B03-03220	LABEL,SW	1							
9	2	172437-03242	LABEL,ADJUST CRAWLER	1							1
10	2	172B03-03240	LABEL,AIR SELECT	1							
11	2	172437-03252	TAG ASSY, CAUTION	1							
12	2	172B03-03250	LABEL,SW A/C	1							2
13	2	172B04-03270	LABEL, PTO SWITCH	1							
13-1	2	172B04-03730	LABEL, PTO SWITCH HD	1							N
			(B=MAF204)								
14	2	172183-03280	LABEL,LOCK	1							
15	2	172B03-03280	LABEL,DOOR KEY LOCK	1							
16	2	172437-03302	LABEL,MANUAL US	1							
17	2	172437-03312	LABEL,SLOPE US	1							
18	2	172463-03320	LABEL,F/W LOWER US	1							
19	2	172437-03343	LABEL,TRANSPORT US	1							
20	2	172B04-03350	LABEL,RELAY BOX STD	1							
21	2	172B04-03360	LABEL,RELAY BOX OP	1							Z
			(B=M6G084)								
22	2	172437-03372	LABEL,NEWTRAL US	1							
23	2	172A47-03371	LABEL,PTO EX	1							
24	2	172B04-03370	LABEL, DPF EX	1							
25	2	172B04-03380	LABEL,OIL/WATER US	1							
26	2	172B03-03410	LABEL,SEAT TILT UP	1							
27	2	172B03-03420	LABEL,WARNING A/C US	1							2
28	2	172437-03432	LABEL,STERRING US	1							
29	2	172B04-03430	LABEL,GREASING EX	1							
30	2	172437-03441	LABEL,ROPS US	1							
31	2	172B04-03440	LABEL,FUSE BOX US	1							
32	2	172437-03451	LABEL,SEAT BELT US	1							
33	2	172437-03471	LABEL,LEVER LOCK US	1							
34	2	172437-03551	LABEL,WINDOW US	1							
35	2	172437-03601	LABEL,2 WAY US	1							
36	2	172B03-03670	LABEL, OPERATION ANG	1							
37	1	172B03-03800	LABEL,CAL P65 US	1							W 3
			(B=MAF205)								
38	1	172B03-03810	LABEL,CAL P65 SP	1							W 3
			(B=MAF205)								

Remarks
 * Exclusive figure for angle blade specification.
 * DPF: DPF stands for DIESEL PARTICULATE FILTER.
 (1)Rubber crawler specification.
 (2)Air Conditioner specification.
 (3)Optional : CALIFORNIA

Fig.5. LABEL(QUICK COUPLER)

(A)=VIO45-6A P(US)
 (B)=VIO45-6A C(US)
 (C)=

(D)=
 (E)=
 (F)=



No.	Lev.	Parts No.	Description	Q'ty						I	R
				(A)	(B)	(C)	(D)	(E)	(F)		
1	1	172B03-08200	LABEL SET,Q EX	1	1						
2	2	172958-03160	LABEL	1	1						
3	2	172472-03230	LABEL, OPERATION	1	1						
4	2	172458-03240	LABEL, LOCK	1	1						
5	2	172472-03241	LABEL, PIN US	1	1						
6	2	172472-03261	LABEL, FINGER	1	1						
7	2	172472-03330	LABEL, LOCK PIN	1	1						
8	2	172B03-04400	LABEL,WARNING HITCH	1	1						
9	2	172B03-04410	LABEL,SAND US	1	1						

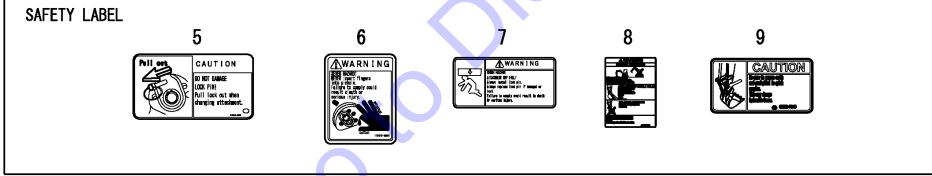
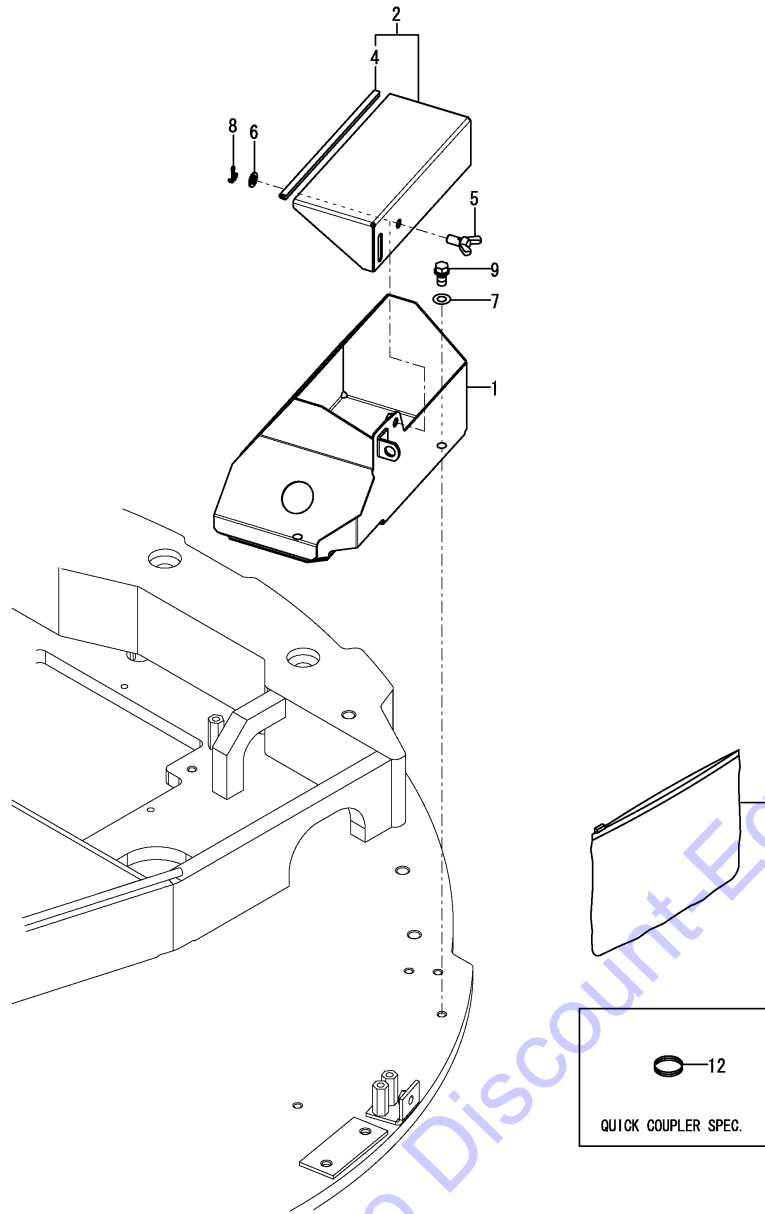


Fig.6. TOOL CASE(METAL)



(A)=VIO45-6A P(US)
 (B)=VIO45-6A C(US)
 (C)=

(D)=
 (E)=
 (F)=

No.	Lev.	Parts No.	Description	Q'ty						I	R
				(A)	(B)	(C)	(D)	(E)	(F)		
1	1	172B03-05310	BOX ASSY, TOOL	1	1						
2	1	172B03-05360	PLATE ASSY, UP BOX	1	1						
4	2	172434-61200	TRIM, 245	1	1						
5	1	172142-62301	BOLT, WING	1	1						
6	1	22117-100000	WASHER, 10	1	1						
7	1	22137-100000	WASHER, 10	2	2						
8	1	22417-250200	PIN, COTTER 2.5X20	1	1						
9	1	26013-100202	BOLT, M10X 20	2	2						
10	1	172176-07330	BAG, MANUAL	1	1						
10-1	1	172958-07330	CASE, MANUAL	1	1						N
		(A=M60592) (B=M60592)									
12	1	1C7100-99650	RING	1	1						

Remarks

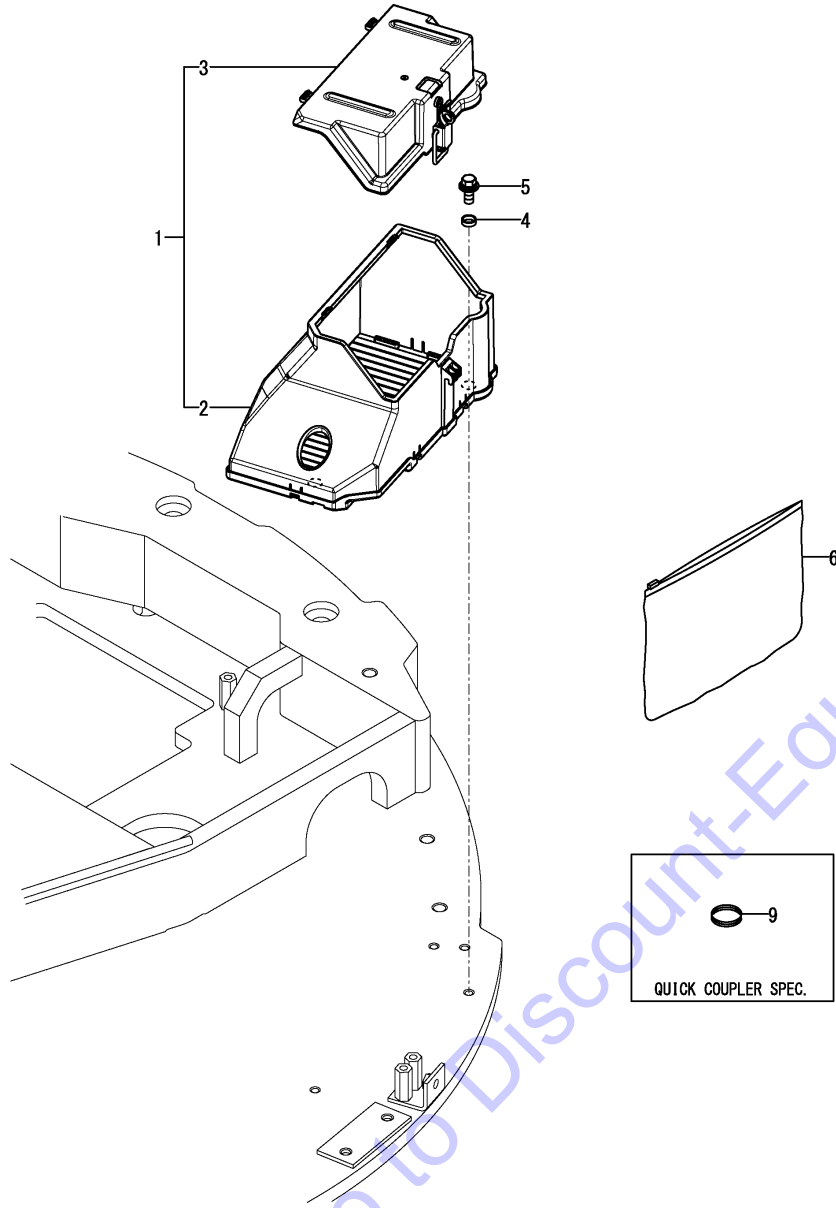
* No.1, 2, 4, 5, 6, 7, 8 & 9 is interchangeable with a set of Fig.210 No.1, 2, 3, 4 & 5.

N:Old $\xrightarrow{\text{Yes}}$ New, Q:Old $\xrightarrow{\text{No}}$ New, R:Old $\xrightarrow{\text{Yes}}$ New, S:Old $\xrightarrow{\text{No}}$ New, W:Add, Z:Discontinued, F:Interchangeable by set, K:Q'ty Change

Fig.210. (6A)TOOL CASE(RE SIN)

(A)=VIO45-6A P(US)
 (B)=VIO45-6A C(US)
 (C)=

(D)=
 (E)=
 (F)=

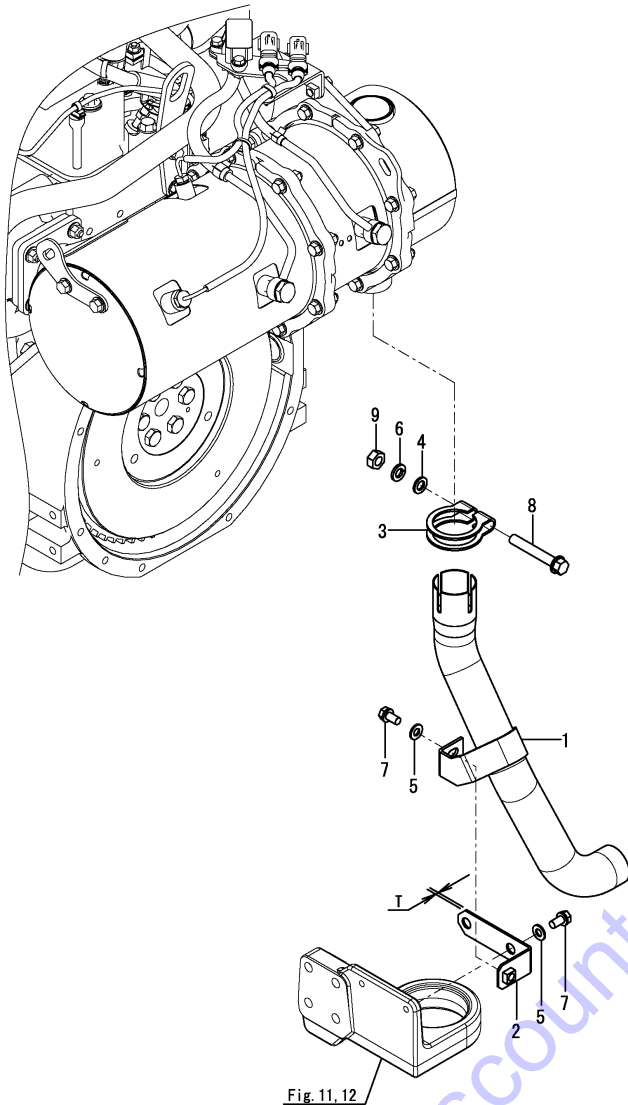


No.	Lev.	Parts No.	Description	Q'ty						I	R
				(A)	(B)	(C)	(D)	(E)	(F)		
1	1	172B03-05400	TOOLBOX ASSY	1	1						
2	2	172B03-05500	TOOLBOX ASSY,FRAME	1	1						
3	2	172B03-05600	TOOLBOX ASSY,COVER	1	1						
4	1	172A47-65550	COLLAR, 13X16X5	2	2						
5	1	26014-100252	BOLT, M10X 25	2	2						
6	1	172958-07330	CASE, MANUAL	1	1						
9	1	1C7100-99650	RING	1	1						

Fig.7. MUFFLER

(A)=VIO45-6A P(US)
 (B)=VIO45-6A C(US)
 (C)=

(D)=
 (E)=
 (F)=



No.	Lev.	Parts No.	Description	Q'ty						I	R
				(A)	(B)	(C)	(D)	(E)	(F)		
1	1	172B04-11310	PIPE ASSY, EXHAUST C	1	1						
2	1	172B04-11380	BRACKET ASSY,EXHAUST	1	1						
2-1	1	172B04-11381	BRACKET ASSY,EXHAUST	1	1						S 1
3	1	121120-13580	CLAMP	1	1						
4	1	22117-100000	WASHER, 10	1	1						
5	1	22137-080000	WASHER, 8	3	3						Z
6	1	22217-100000	WASHER, SPRING 10	1	1						
7	1	26013-080162	BOLT, M8X 16	3	3						
7-1	1	26014-080202	BOLT, M8X 20	3	3						S
8	1	26106-100652	BOLT, M10X 65 PLATED	1	1						
9	1	26706-100002	NUT, M10	1	1						

Fig. 11, 12

Remarks

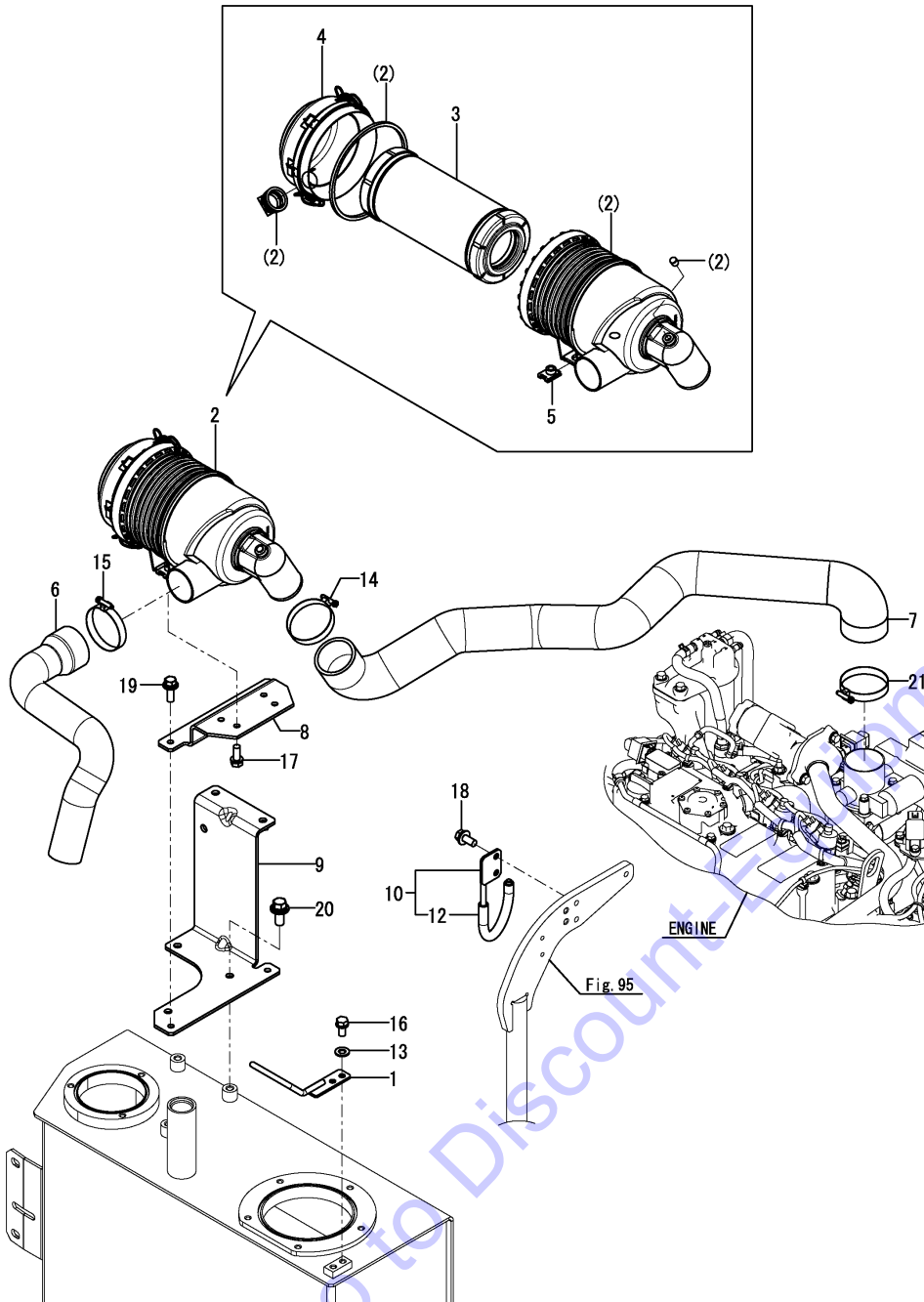
(1)T=No.2 : 2.3mm, No.2-1 : 4.5mm.

N:Old $\xrightarrow{\text{Yes}}$ New, Q:Old $\xrightarrow{\text{No}}$ New, R:Old $\xrightarrow{\text{Yes}}$ New, S:Old $\xrightarrow{\text{No}}$ New, W:Add, Z:Discontinued, F:Interchangeable by set, K:Q'ty Change

Fig.8. AIR CLEANER

(A)=VIO45-6A P(US)
 (B)=VIO45-6A C(US)
 (C)=

(D)=
 (E)=
 (F)=

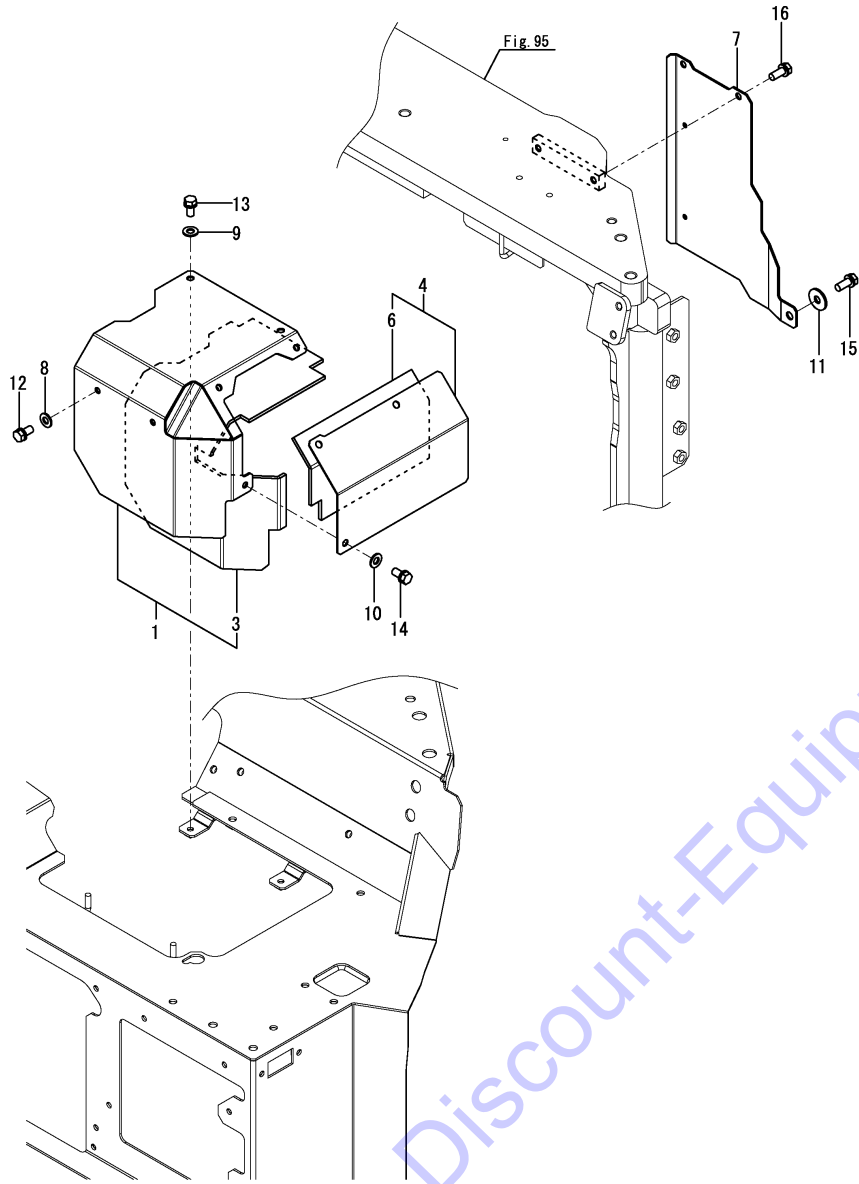


No.	Lev.	Parts No.	Description	Q'ty						I	R
				(A)	(B)	(C)	(D)	(E)	(F)		
1	1	172B04-11450	GUIDE ASSY, HOSE B	1	1						
2	1	172B04-11500	AIR CLEANER ASSY	1	1						
3	2	172B03-11540	ELEMENT	1	1						
4	2	172B03-11551	COVER ASSY,AIRCLEANE	1	1						
5	2	172B03-11571	NUT,AIR CLEANER	2	2						
6	1	172B04-11510	HOSE, AIRCLEANER A-C	1	1						
7	1	172B04-11520	HOSE, AIR CLEANER B	1	1						
8	1	172B04-11561	BRACKET, AIR CLEANER	1	1						
9	1	172B04-11580	BRACKET ASSY, A/C B	1	1						
10	1	172B04-11900	GUIDE ASSY,HOSE A	1	1						
12	2	172B04-11940	HOSE,9X190	1	1						
13	1	22137-080000	WASHER, 8	2	2						
14	1	23000-070000	CLAMP, 70	1	1						
15	1	23000-070000	CLAMP, 70	1	1						
16	1	26013-080162	BOLT, M8X 16	2	2						
17	1	26013-080202	BOLT, M8X 20	2	2						
18	1	26014-080202	BOLT, M8X 20	2	2						
19	1	26014-080252	BOLT, M8X 25	2	2						
20	1	26014-100252	BOLT, M10X 25	3	3						
21	1	23000-080000	CLAMP, 80	1	1						

Fig.9. MUFFLER COVER

(A)=VIO45-6A P(US)
 (B)=VIO45-6A C(US)
 (C)=

(D)=
 (E)=
 (F)=



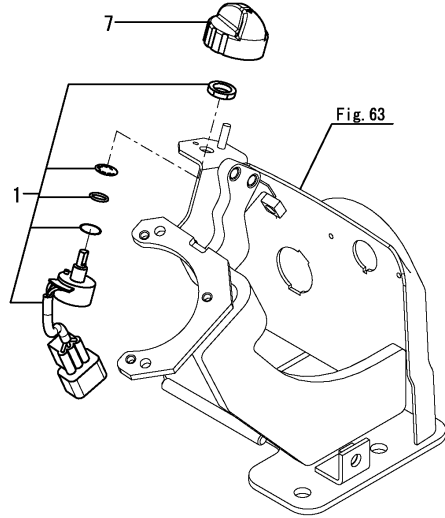
No.	Lev.	Parts No.	Description	Q'ty						I	R
				(A)	(B)	(C)	(D)	(E)	(F)		
1	1	172B04-11600	COVER ASSY,MUFFLER A	1	1						
3	2	172B04-11650	SHEET,INSULATION A	1	1						
4	1	172B04-11660	COVER ASSY,MUFFLER B	1	1						
6	2	172B04-11680	SHEET,INSULATION B	1	1						
7	1	172B04-11710	COVER MUFFLER C	1	1						1
7A	1	172B03-03390	LABEL,SILENCER EX	1	1						2
8	1	22137-080000	WASHER, 8	2	2						
9	1	22137-080000	WASHER, 8	2	2						
10	1	22137-080000	WASHER, 8	3	3						
11	1	22157-080000	WASHER, 8	1	1						
12	1	26013-080162	BOLT, M8X 16	2	2						
13	1	26013-080162	BOLT, M8X 16	2	2						
14	1	26013-080162	BOLT, M8X 16	3	3						
15	1	26013-080202	BOLT, M8X 20	1	1						
16	1	26013-080202	BOLT, M8X 20	2	2						

Remarks
 (1)Attach the No.7A label to this part.
 (2)Label is not illustrated.

Fig.10. ACCELERATOR

(A)=VIO45-6A P(US)
 (B)=VIO45-6A C(US)
 (C)=

(D)=
 (E)=
 (F)=



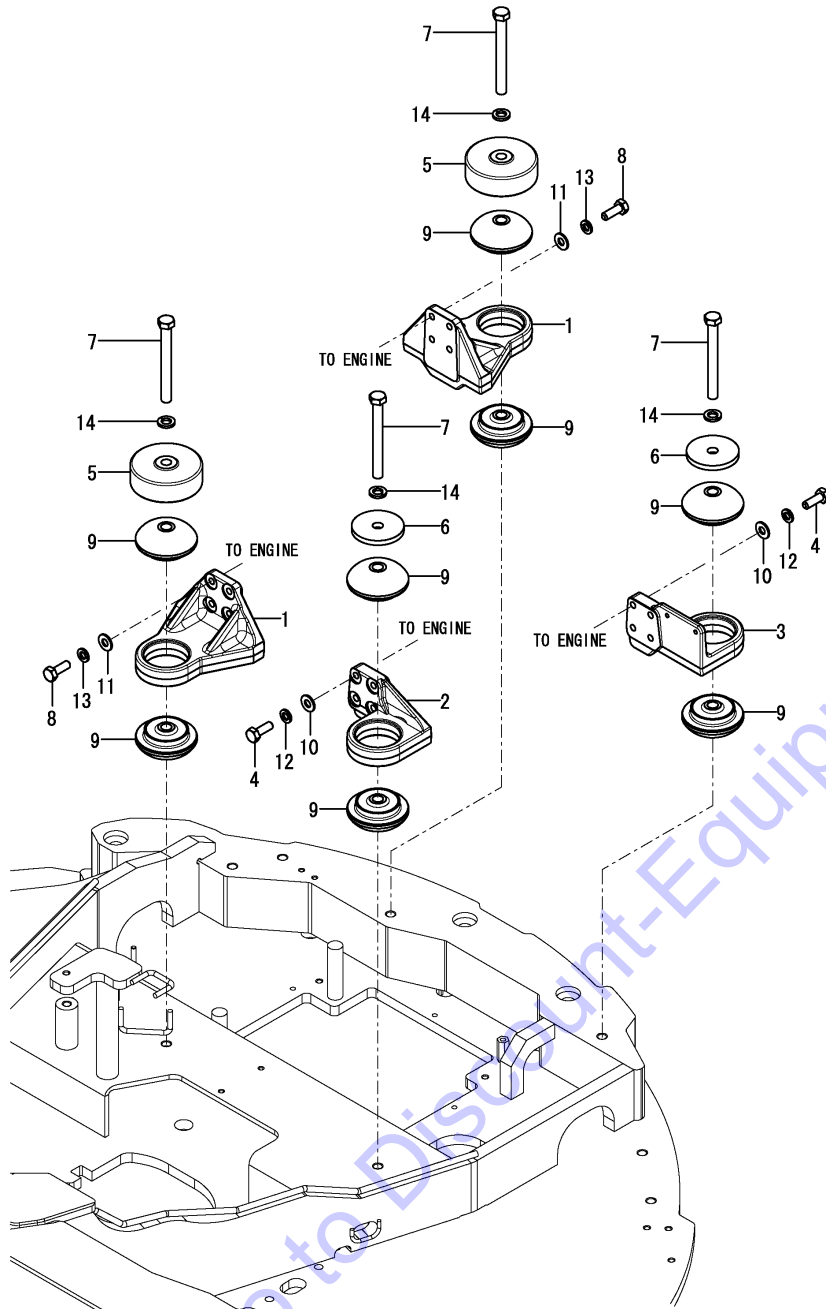
No.	Lev.	Parts No.	Description	Q'ty						I	R
				(A)	(B)	(C)	(D)	(E)	(F)		
1	1	172A69-12100	VOLUME, ACCEL ASSY	1	1						
7	1	172A69-12120	KNOB ASSY	1	1						

Go to Discount-Equipment.com to order your parts

Fig.11. ENGINE MOUNT

(A)=VIO45-6A P(US)
 (B)=VIO45-6A C(US)
 (C)=

(D)=
 (E)=
 (F)=

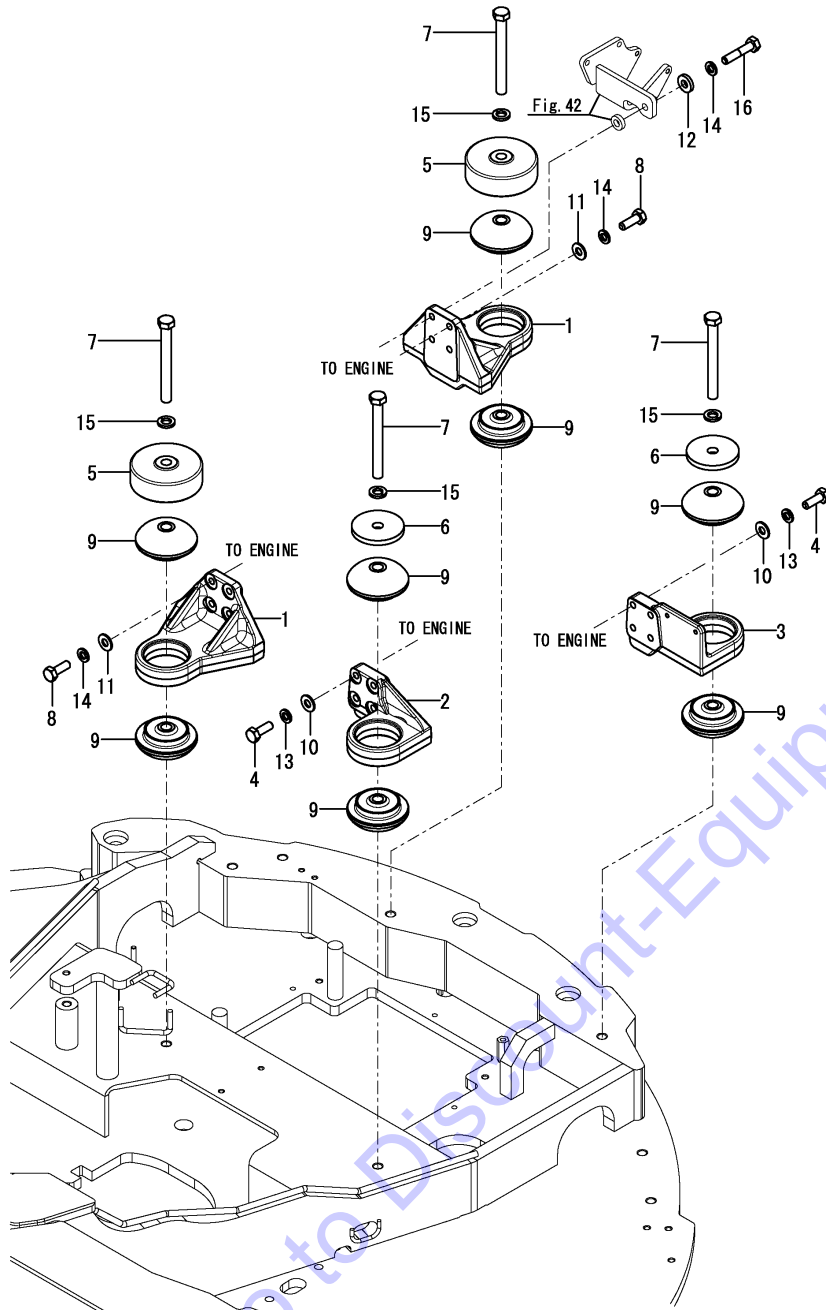


No.	Lev.	Parts No.	Description	Q'ty						I	R
				(A)	(B)	(C)	(D)	(E)	(F)		
1	1	172B04-13110	MOUNT, ENGINE RR	2	2						
2	1	172B04-13120	MOUNT, ENGINE LF	1	1						
3	1	172B04-13130	MOUNT, ENGINE LR	1	1						
4	1	172461-13140	BOLT	8	8						
5	1	172A69-13150	STOPPER	2	2						
6	1	172162-13170	WASHER	2	2						
7	1	172162-13190	BOLT	4	4						
8	1	172162-13200	BOLT	8	8						
9	1	172165-13270-2	MOUNT,ENGINE	8	8						
10	1	172137-46042	SEAT, SPRING	8	8						
11	1	172137-46042	SEAT, SPRING	8	8						
12	1	22217-100000	WASHER, SPRING 10	8	8						
13	1	22217-100000	WASHER, SPRING 10	8	8						
14	1	22217-160000	WASHER, SPRING 16	4	4						

Fig.12. ENGINE MOUNT(AIR CONDITIONER SPEC.)

(A)=VIO45-6A P(US)
 (B)=VIO45-6A C(US)
 (C)=

(D)=
 (E)=
 (F)=



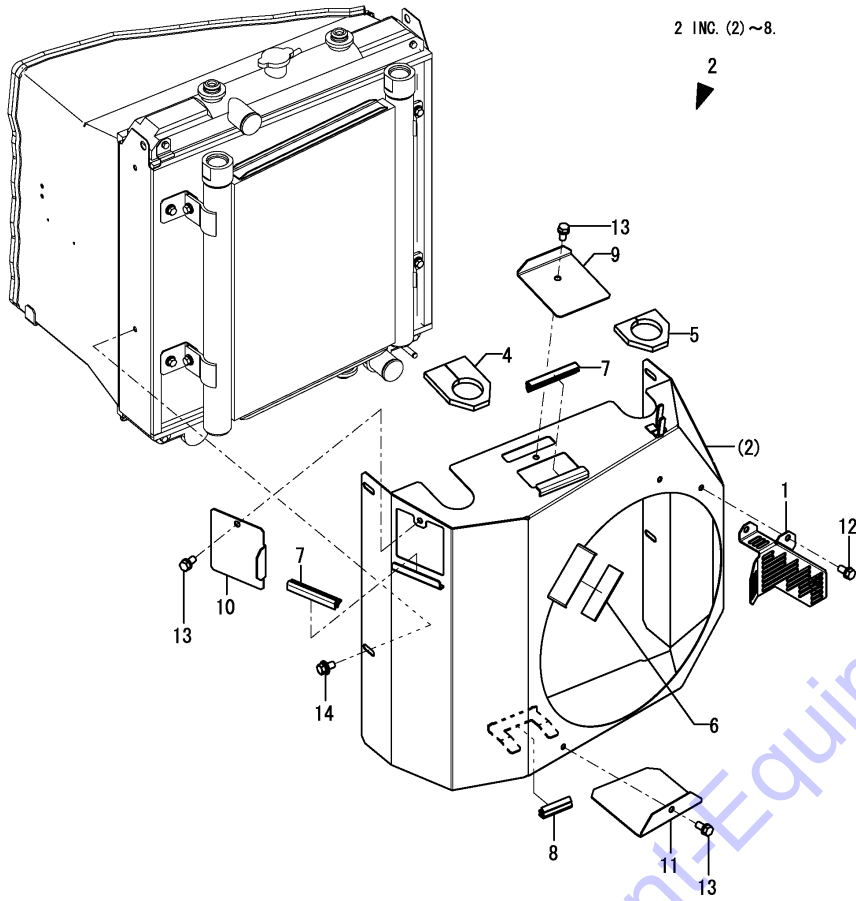
No.	Lev.	Parts No.	Description	Q'ty						I	R
				(A)	(B)	(C)	(D)	(E)	(F)		
1	1	172B04-13110	MOUNT, ENGINE RR		2						
2	1	172B04-13120	MOUNT, ENGINE LF		1						
3	1	172B04-13130	MOUNT, ENGINE LR		1						
4	1	172461-13140	BOLT		8						
5	1	172A69-13150	STOPPER		2						
6	1	172162-13170	WASHER		2						
7	1	172162-13190	BOLT		4						
8	1	172162-13200	BOLT		7						
9	1	172165-13270-2	MOUNT,ENGINE		8						
10	1	172137-46042	SEAT, SPRING		8						
11	1	172137-46042	SEAT, SPRING		7						
12	1	172A79-72570	WASHER		1						
13	1	22217-100000	WASHER, SPRING 10		8						
14	1	22217-100000	WASHER, SPRING 10		8						
15	1	22217-160000	WASHER, SPRING 16		4						
16	1	26076-100502	BOLT, 10.910X 50		1						

Fig.13. RADIATOR SHROUD

(A)=VIO45-6A P(US)
 (B)=VIO45-6A C(US)
 (C)=

(D)=
 (E)=
 (F)=

No.	Lev.	Parts No.	Description	Q'ty						I	R
				(A)	(B)	(C)	(D)	(E)	(F)		
1	1	172B04-13480	GUARD,FAN	1	1						
2	1	172B04-13500	SHROUD ASSY	1	1						
4	2	172A89-13550	SPONGE	1	1						
5	2	172A89-13560	SPONGE	1	1						
6	2	172447-14330	RUBBER PLATE-B,FUEL	1	1						
7	2	172456-61480	RUBBER, SEAL 95	2	2						
8	2	172458-61510	RUBBER, SEAL	1	1						
9	1	172B04-13900	COVER, A SHROUD	1	1						
10	1	172B04-13910	COVER, B SHROUD	1	1						
11	1	172B04-13920	COVER, C SHROUD	1	1						
12	1	26013-080162	BOLT, M8X 16	2	2						
13	1	26013-080162	BOLT, M8X 16	3	3						
14	1	26014-080162	BOLT, M8X 16	4	4						

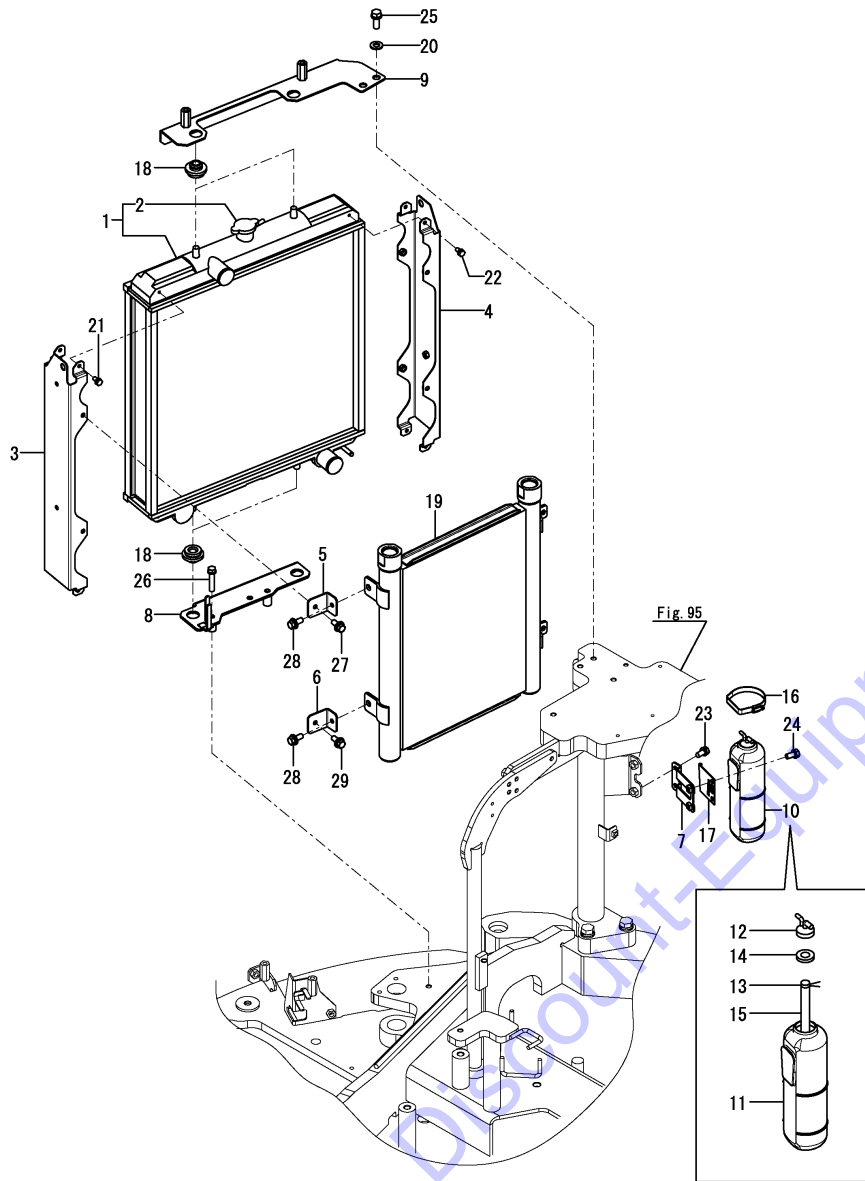


Go to Discount-Equipment.com to buy your parts

Fig.14. RADIATOR & SUB TANK

(A)=VIO45-6A P(US)
 (B)=VIO45-6A C(US)
 (C)=

(D)=
 (E)=
 (F)=



No.	Lev.	Parts No.	Description	Q'ty						I	R
				(A)	(B)	(C)	(D)	(E)	(F)		
1	1	172A89-13310	RADIATOR SUB ASSY	1	1						
2	2	129107-44590	CAP, RADIATOR	1	1						
3	1	172B04-13330	SUPPORT ASSY, RAD	1	1						
4	1	172B04-13330	SUPPORT ASSY, RAD	1	1						
5	1	172B04-13350	BRACKET ASSY, OC	1	1						
6	1	172B04-13350	BRACKET ASSY, OC	1	1						
7	1	172B04-13380	BRACKET ASSY, S TANK	1	1						
8	1	172B04-13410	BRACKET ASSY, L RAD	1	1						
9	1	172B04-13450	BRACKET ASSY, U RAD	1	1						
10	1	171064-44510	TANK ASSY, SUB	1	1						1
11	2	171064-44520	BODY, SUB-TANK	1	1						
12	2	121450-44531	CAP	1	1						
13	2	124450-44560	CLAMP, HOSE	1	1						
14	2	121470-44581	GASKET	1	1						
15	2	23065-070225	HOSE 7X 225	1	1						
15A	1	172A38-03201	LABEL, SUB TANK	1	1						2
16	1	124450-44550	BAND, SUB-TANK	1	1						
17	1	121256-44600-3	BRACKET, SUB TANK	1	1						
18	1	184015-44680	ABSORBER, SHOCK	4	4						
19	1	172B04-74800	COOLER ASSY, OIL	1	1						
20	1	22137-100000	WASHER, 10	2	2						
21	1	26013-060122	BOLT, M6X 12	4	4						
22	1	26013-060122	BOLT, M6X 12	4	4						
23	1	26013-080162	BOLT, M8X 16	2	2						
24	1	26013-080162	BOLT, M8X 16	2	2						
25	1	26013-100252	BOLT, M10X 25	2	2						
26	1	26013-100502	BOLT, M10X 50	2	2						
27	1	26014-080202	BOLT, M8X 20	1	1						
28	1	26014-080202	BOLT, M8X 20	4	4						
29	1	26014-080202	BOLT, M8X 20	1	1						

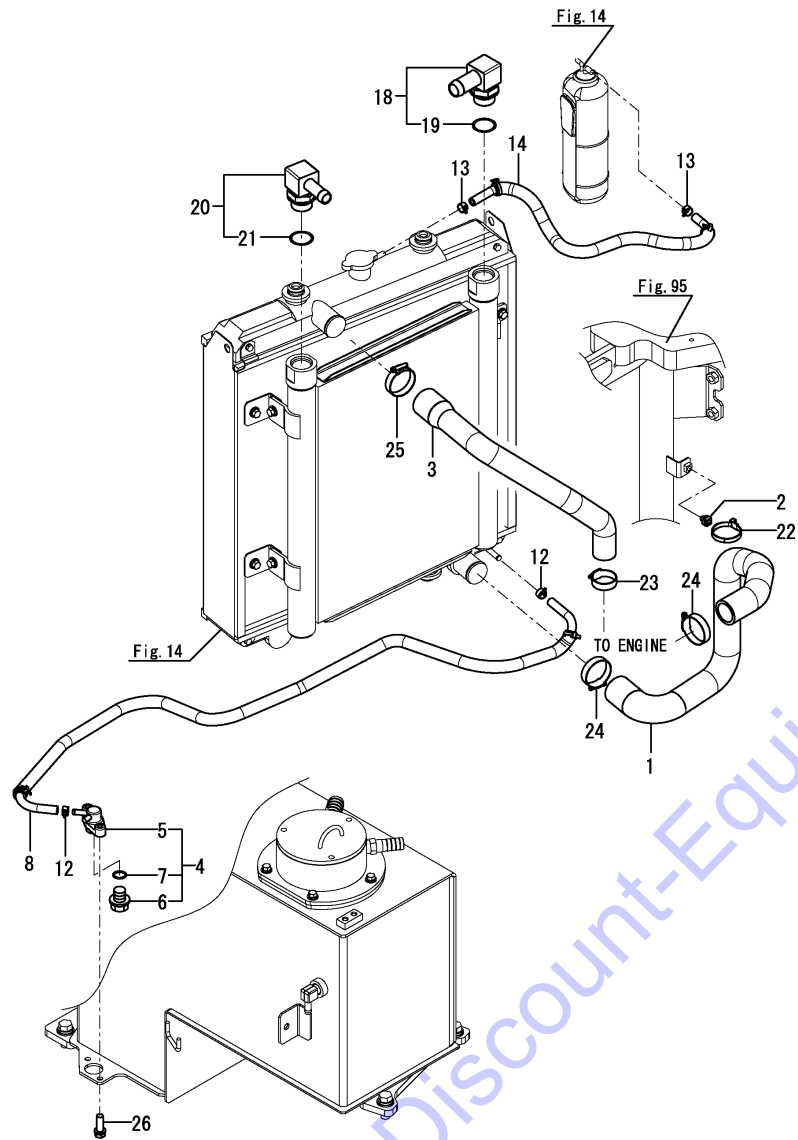
Remarks

- (1) Attach the No.15A label to this part.
- (2) Label is not illustrated.

Fig.15. RADIATOR HOSE

(A)=VIO45-6A P(US)
 (B)=VIO45-6A C(US)
 (C)=

(D)=
 (E)=
 (F)=

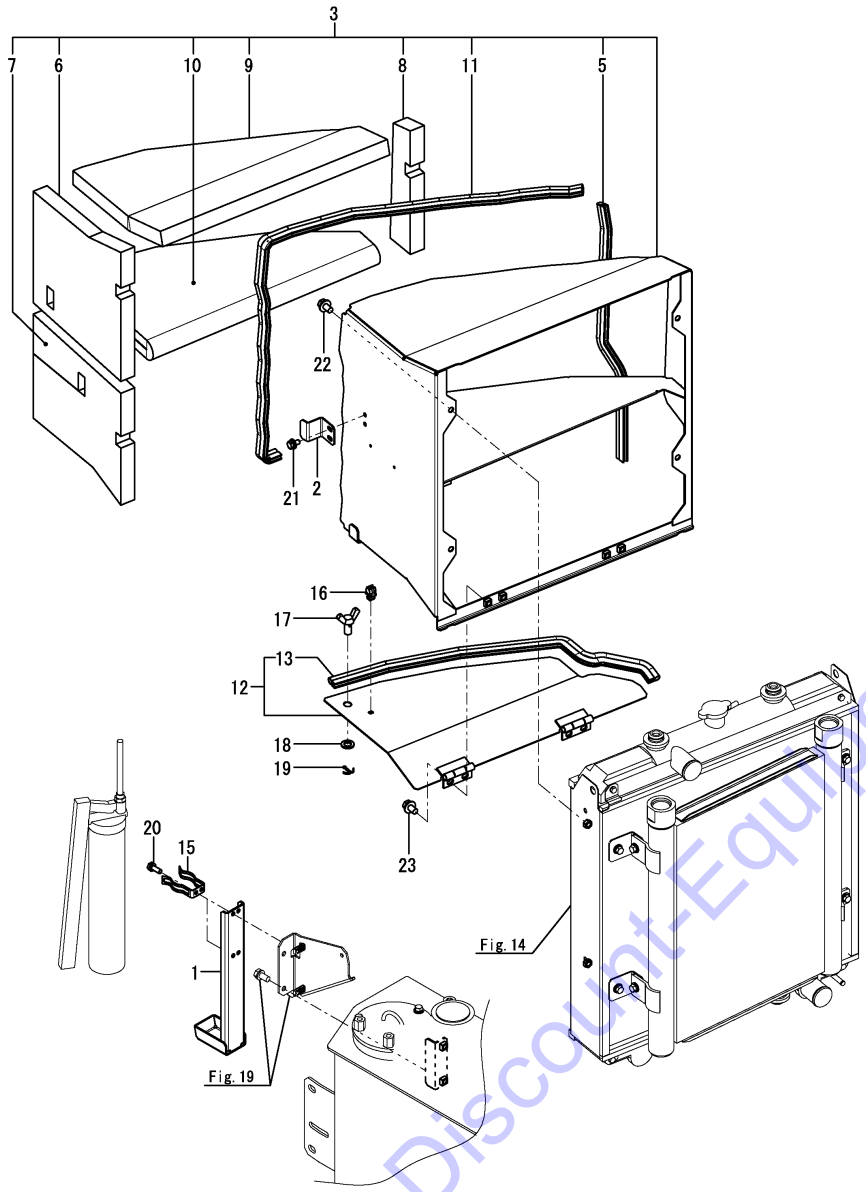


No.	Lev.	Parts No.	Description	Q'ty						I	R
				(A)	(B)	(C)	(D)	(E)	(F)		
1	1	172B04-13020	HOSE, CW-T A	1	1						
2	1	172B04-13040	CLIP, TREE	1	1						
3	1	172B04-13050	HOSE, CW-T B	1	1						
4	1	172444-13210	COCK ASSY, 2-WAY	1	1						
5	2	172444-13220	BODY	1	1						
6	2	121250-49121	PLUG, DRAIN M16	1	1						
7	2	24311-000160	O-RING, 1AP16.0	1	1						
8	1	172A47-14220	HOSE ASSY,FO 1360	1	1						
12	1	124766-59050	CLAMP, HOSE 11.5	2	2						
13	1	124766-59050	CLAMP, HOSE 11.5	2	2						
14	1	184014-59450	PIPE ASSY, FUEL	1	1						
18	1	172B04-76780	ELBOW, 90 G1-25	1	1						
19	2	172A65-76790	O-RING	1	1						
20	1	172B04-76900	ELBOW, 90 G1-19	1	1						
21	2	172A65-76790	O-RING	1	1						
22	1	172122-79930	CLAMP, HOSE	1	1						
23	1	23001-041000	CLAMP, HOSE 41	1	1						
24	1	23001-048000	CLAMP, HOSE 48	2	2						
25	1	23001-048000	CLAMP, HOSE 48	1	1						
26	1	26013-080252	BOLT, M8X 25	2	2						

Fig.16. DUCT

(A)=VIO45-6A P(US)
 (B)=VIO45-6A C(US)
 (C)=

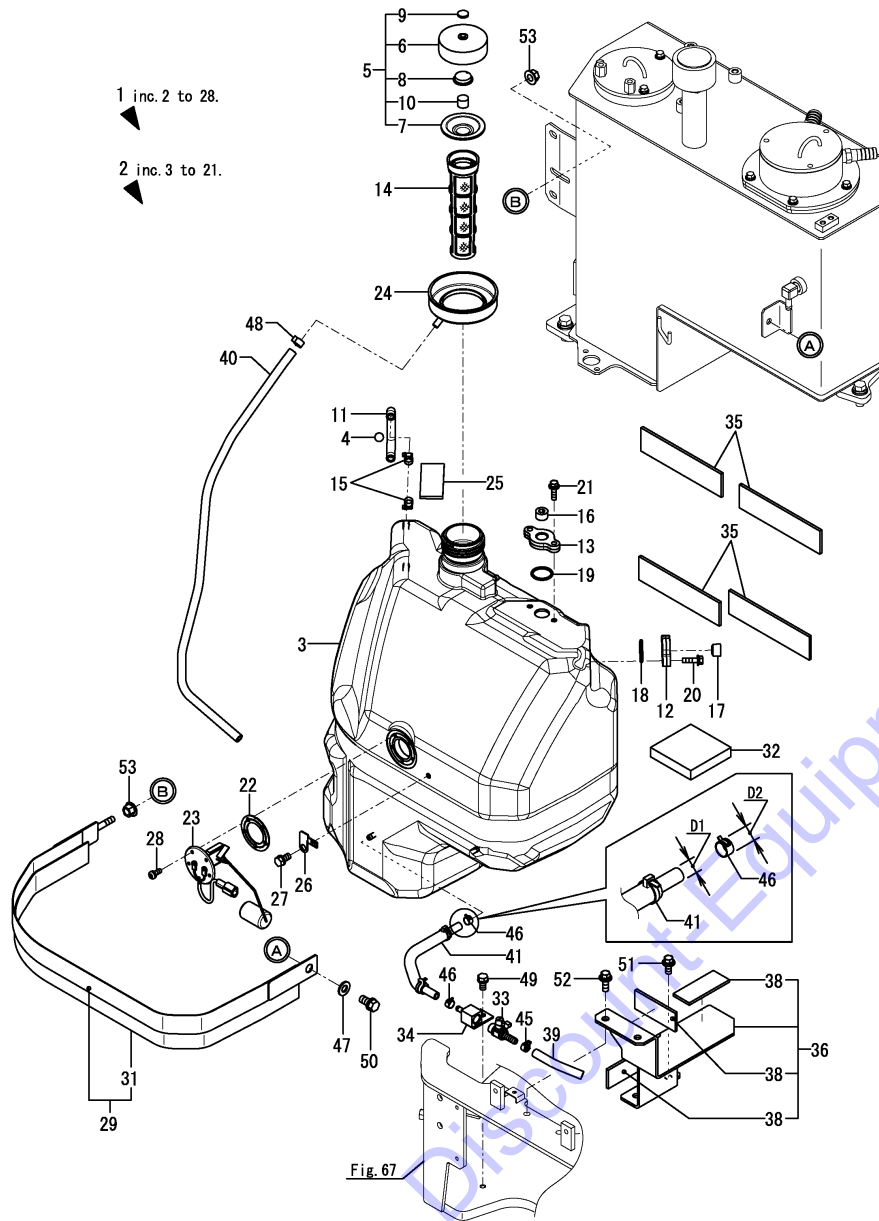
(D)=
 (E)=
 (F)=



No.	Lev.	Parts No.	Description	Q'ty						I	R
				(A)	(B)	(C)	(D)	(E)	(F)		
1	1	172B04-05200	HOLDER ASSY, GREASE	1	1						
2	1	172B04-05260	PLATE, GREASE GUN	1	1						
3	1	172B04-13600	DUCT ASSY, RADIATOR	1	1						
5	2	172A69-13690	SEAL	1	1						
6	2	172B04-13720	SPONGE, A DUCT	1	1						
7	2	172B04-13730	SPONGE, B DUCT	1	1						
8	2	172B04-13740	SPONGE, C DUCT	1	1						
9	2	172B04-13750	SPONGE, D DUCT	1	1						
10	2	172B04-13760	SPONGE, E DUCT	1	1						
11	2	172B04-13780	SEAL, 1095	1	1						
12	1	172B04-13800	COVER ASSY, DUCT	1	1						1
13	2	172A69-13680	SEAL	1	1						
14A	1	172A69-03350	LABEL, BATTERY COVER	1	1						2
14B	1	172437-03361	LABEL, BATTERY	1	1						2
15	1	172122-55061	BRACKET, PUMP	2	2						
16	1	1A7400-61250	HOLDER, ROD 8	1	1						
17	1	172142-62301	BOLT, WING	1	1						
18	1	22117-100000	WASHER, 10	1	1						
19	1	22417-250200	PIN, COTTER 2.5X20	1	1						
20	1	26013-060162	BOLT, M6X 16	4	4						
21	1	26014-060122	BOLT, M6X 12	2	2						
22	1	26014-080162	BOLT, M8X 16	4	4						
23	1	26014-080162	BOLT, M8X 16	4	4						

Remarks
 (1) Attach the No.14A & 14B label to this part.
 (2) Label is not illustrated.

Fig.17. FUEL TANK



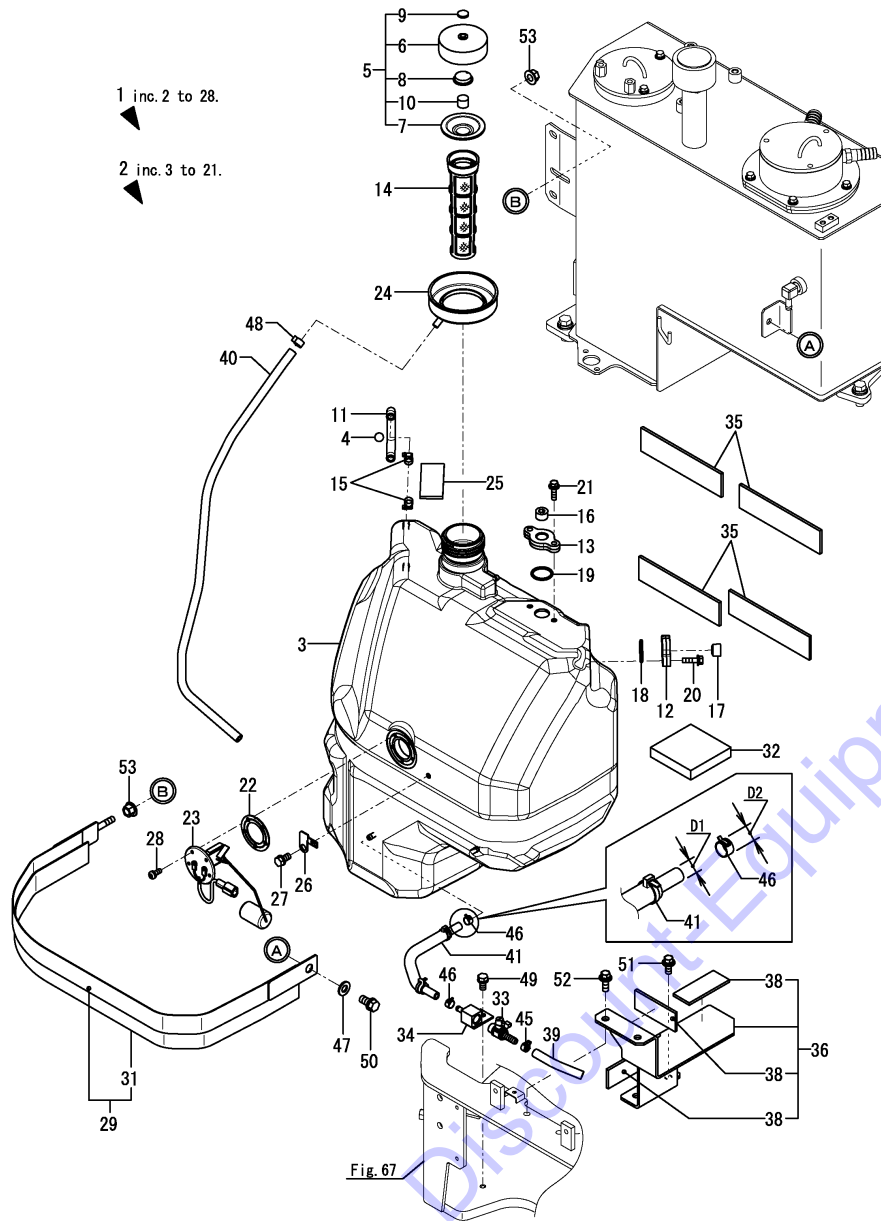
Remarks
(1)D1=No.41 : 11.5mm, No.41-1 : 13.5mm.
(2)D2=No.46 : 11.5mm, No.46-1 : 12.5mm.

(A)=VIO45-6A P(US)
(B)=VIO45-6A C(US)
(C)=

(D)=
(E)=
(F)=

No.	Lev.	Parts No.	Description	(A)	(B)	Qty						I	R	
				(C)	(D)	(E)	(F)							
1	1	172B04-08390	TANK KIT,FUEL	1	1									
2	2	172B04-14110	TANK ASSY, FUEL OIL	1	1									
2-1	2	172B04-14111	TANK ASSY, FUEL OIL	1	1								N	
		(A=M6G052)	(B=M6G052)											
3	3	172B04-14120	TANK ASSY, FUEL OIL	1	1									
4	3	172447-14160	FLOAT	1	1									
5	3	172444-14200	CAP, FUEL	1	1									
6	4	172444-14450	CAP	1	1									
7	4	172444-14460	PACKING, RUBBER	1	1									
8	4	172444-14470	PACKING, RUBBER	1	1									
9	4	172444-14480	WASHER	1	1									
10	4	172444-14490	SPONGE	1	1									
11	3	172458-14203	HOSE, FUEL GAUGE	1	1									
12	3	172A69-14240	PLATE	1	1									
13	3	172A69-14240	PLATE	1	1									
14	3	172B03-14250	STRAINER	1	1									
15	3	23000-013000	CLAMP, 13	2	2									
16	3	23871-040000	PLUG, R04	1	1									
17	3	23871-040000	PLUG, R04	1	1									
18	3	24311-000320	O-RING, 1AP32.0	1	1									
18-1	3	24316-000320	O-RING, 4DP32.0	1	1								N	
		(A=M6G052)	(B=M6G052)											
19	3	24311-000320	O-RING, 1AP32.0	1	1									
19-1	3	24316-000320	O-RING, 4DP32.0	1	1								N	
		(A=M6G052)	(B=M6G052)											
20	3	26014-080302	BOLT, M8X 30	2	2									
21	3	26014-080302	BOLT, M8X 30	2	2									
22	2	172162-14200	GASKET	1	1									
23	2	172B04-14220	GAUGE, FUEL	1	1									
24	2	172458-14370	SUMP, FUEL	1	1									
25	2	172B04-14420	RUBBER,A FO.STAY	1	1									
26	2	172A69-16700	BRACKET	1	1									
27	2	26013-080162	BOLT, M8X 16	1	1									
28	2	26022-050122	SCREW, M5X12	5	5									
29	1	172B04-14150	CLAMP ASSY, FO	1	1									
31	2	172B04-14200	RUBBER, CLAMP	1	1									
32	1	172B04-14210	RUBBER,FO TANK	1	1									
33	1	172A69-14230	VALVE, FUEL DRAIN	1	1									
34	1	172B03-14270	JOINT ASSY, DRAIN	1	1									
35	1	172458-14340	PLATE, RUBBER	4	4									
36	1	172B04-14400	STAY ASSY,FO STAY	1	1									
38	2	172B04-14420	RUBBER,A FO.STAY	3	3									
39	1	172444-14410	HOSE, DRAIN	1	1									
40	1	172A47-14520	HOSE	1	1									
41	1	172B04-14950	HOSE ASSY,240	1	1									
41-1	1	172B04-15950	HOSE ASSY,260	1	1								S	1
		(A=M6G052)	(B=M6G052)											
45	1	106990-44660	CLAMP, HOSE 12.5	1	1									
46	1	124766-59050	CLAMP, HOSE 11.5	2	2									
46-1	1	106990-44660	CLAMP, HOSE 12.5	2	2								S	2
		(A=M6G052)	(B=M6G052)											

Fig.17. FUEL TANK



(A)=VIO45-6A P(US)
(B)=VIO45-6A C(US)
(C)=

(D)=
(E)=
(F)=

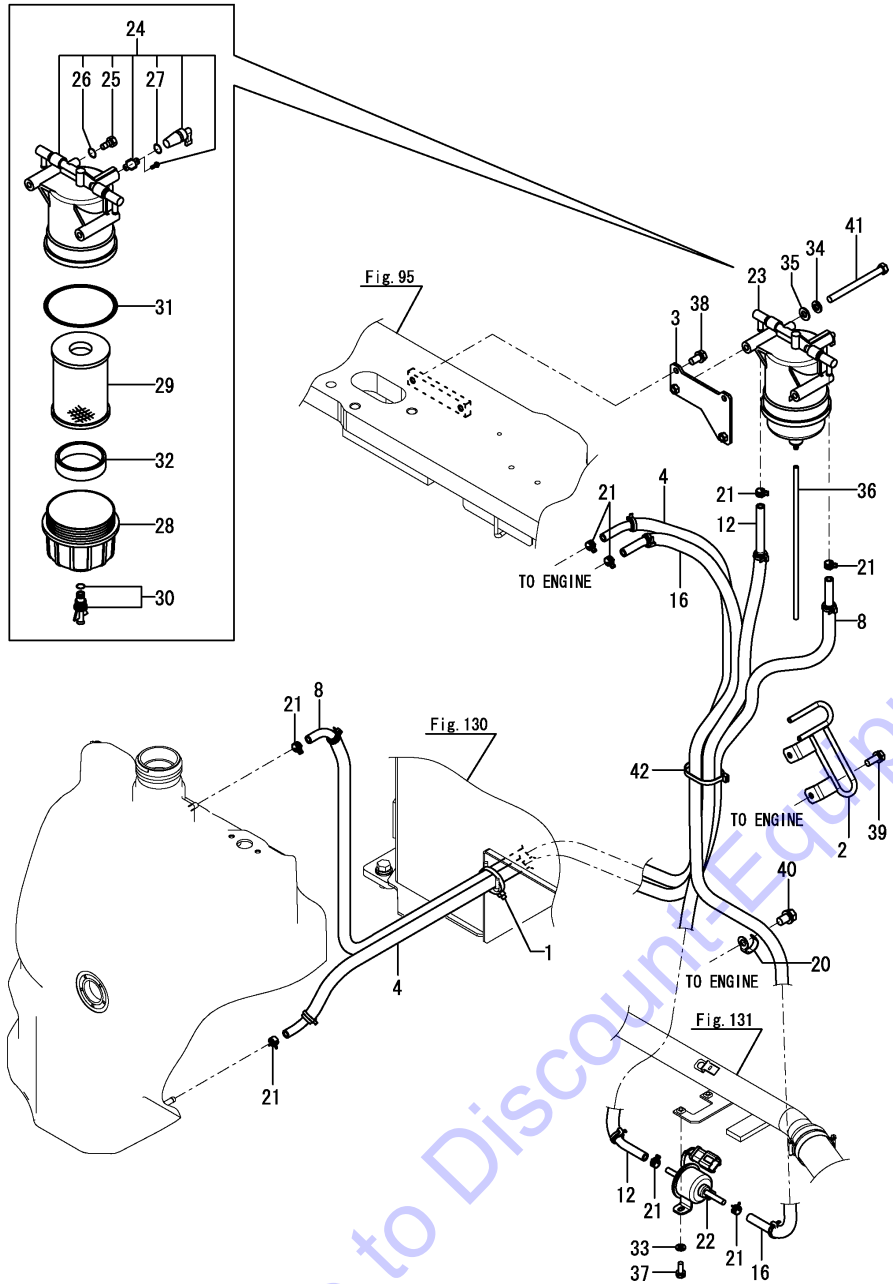
No.	Lev.	Parts No.	Description	Q'ty						I	R
				(A)	(B)	(C)	(D)	(E)	(F)		
47	1	22137-100000	WASHER, 10	1	1						
48	1	23080-013000	CLAMP, 13	1	1						
49	1	26013-080162	BOLT, M8X 16	1	1						
50	1	26013-100202	BOLT, M10X 20	1	1						
51	1	26014-100252	BOLT, M10X 25	2	2						
52	1	26014-100302	BOLT, M10X 30	2	2						
53	1	26367-100002	NUT, M10	2	2						

Remarks

- (1)D1=No.41 : 11.5mm, No.41-1 : 13.5mm.
- (2)D2=No.46 : 11.5mm, No.46-1 : 12.5mm.

N:Old $\xrightarrow{\text{Yes}}$ New, Q:Old $\xrightarrow{\text{No}}$ New, R:Old $\xrightarrow{\text{Yes}}$ New, S:Old $\xrightarrow{\text{No}}$ New, W:Add, Z:Discontinued, F:Interchangeable by set, K:Q'ty Change

Fig.18. FUEL PIPING



(A)=VIO45-6A P(US)
 (B)=VIO45-6A C(US)
 (C)=

(D)=
 (E)=
 (F)=

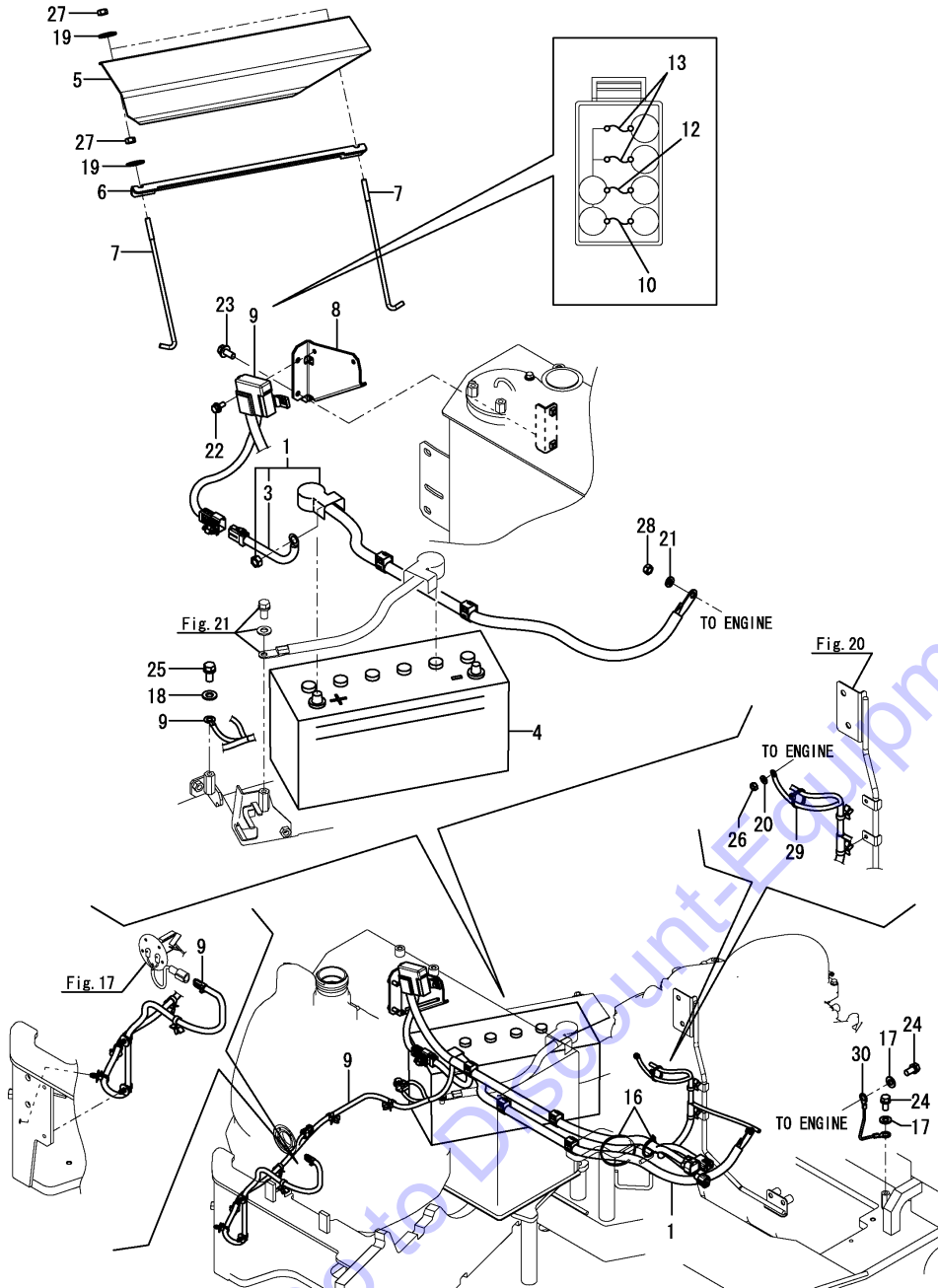
No.	Lev.	Parts No.	Description	Q'ty						I	R
				(A)	(B)	(C)	(D)	(E)	(F)		
1	1	172126-11510	BAND	1	1						
2	1	172B04-14260	GUIDE ASSY, FO HOSE	1	1						
3	1	172B04-14600	BRACKET ASSY, WS	1	1						
4	1	172B04-14650	HOSE ASSY,FO 2530 CR	1	1						
8	1	172B04-14700	HOSE ASSY,FO 2140 CR	1	1						
12	1	172B11-14700	HOSE ASSY, 850	1	1						
16	1	172B04-14750	HOSE ASSY,FO 1180 CR	1	1						
20	1	172126-16540	CLAMP	1	1						
21	1	106990-44660	CLAMP, HOSE 12.5	8	8						
22	1	129612-52100	PUMP, FUEL FEED	1	1						
23	1	129E22-55700	FILTER ASSY, FUEL	1	1						
24	2	129E00-55710	BODY ASSY	1	1						
25	3	129A00-55750	PLUG,BREATHER	1	1						
26	3	129A00-55760	O-RING	1	1						
27	3	24311-000110	O-RING, 1AP11.0	1	1						
28	2	129A00-55720	CUP(CLEAR	1	1						
29	2	129A00-55730	ELEMENT	1	1						
30	2	129242-55740	PLUG, DRAIN	1	1						
31	2	129A00-55740	O-RING	1	1						
32	2	129A00-55770	FLOAT	1	1						
33	1	22137-060000	WASHER, 6	2	2						
34	1	22137-080000	WASHER, 8	2	2						
35	1	22217-080000	WASHER, SPRING 8	2	2						
36	1	23061-050300	PIPE, 5X 300	1	1						
37	1	26013-060162	BOLT, M6X 16	2	2						
38	1	26013-080162	BOLT, M8X 16	2	2						
39	1	26013-080202	BOLT, M8X 20	2	2						
40	1	26013-100162	BOLT, M10X 16	1	1						
41	1	26116-080952	BOLT, M8X 95 PLATED	2	2						
42	1	172126-11510	BAND	1	1						W

(A)=*2013.10) (B)=*2013.10)

Fig.19. AROUND THE ENGINE

(A)=VIO45-6A P(US)
 (B)=VIO45-6A C(US)
 (C)=

(D)=
 (E)=
 (F)=

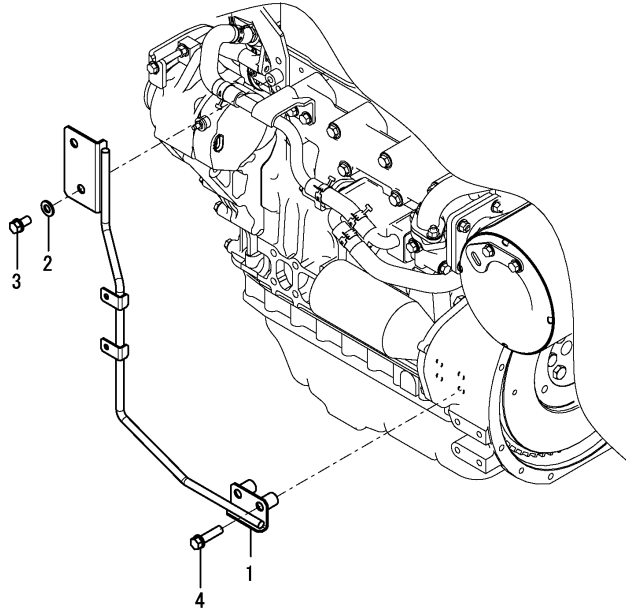


No.	Lev.	Parts No.	Description	Q'ty						I	R
				(A)	(B)	(C)	(D)	(E)	(F)		
1	1	172B04-16100	CABLE ASSY,BATTERY +	1	1						
3	2	172B04-16110	HARNESS, BATTERY SLO	1	1						
4	1	172187-16150	BATTERY	1	1						
5	1	172B04-16180	COVER,BATTERY CR	1	1						
6	1	172112-16201	RETAINER, BATTERY	1	1						
7	1	172164-16370	ROD	2	2						
8	1	172B04-16380	BRACKET ASSY, FUSE	1	1						
9	1	172B04-16500	HARNESS ASSY,POWERS	1	1						
10	2	1C6900-06180	FUSE, SLOW BLOW 80A	1	1						
12	2	1A7611-52720	FUSE, 100A SLOW BLOW	1	1						
13	2	1A7000-52820	FUSE, SLOW BLOW 60A	2	2						
16	1	172126-11510	BAND	2	2						
17	1	22137-100000	WASHER, 10	2	2						
18	1	22137-100000	WASHER, 10	1	1						
19	1	22157-080000	WASHER, 8	4	4						
20	1	22217-060000	WASHER, SPRING 6	1	1						
21	1	22217-080000	WASHER, SPRING 8	1	1						
22	1	26014-060162	BOLT, M6X 16	2	2						
23	1	26013-080162	BOLT, M8X 16	2	2						
24	1	26013-100202	BOLT, M10X 20	2	2						
25	1	26013-100202	BOLT, M10X 20	1	1						
26	1	26716-060002	NUT, M6	1	1						
27	1	26716-080002	NUT, M8	4	4						
28	1	26716-080002	NUT, M8	1	1						
29	1	933168-55770	BAND	1	1						
30	1	933171-15801	CORD, ENGINE EARTH	1	1						

Fig.20. HARNESS SUPPORT

(A)=VIO45-6A P(US)
 (B)=VIO45-6A C(US)
 (C)=

(D)=
 (E)=
 (F)=



No.	Lev.	Parts No.	Description	Q'ty						I	R
				(A)	(B)	(C)	(D)	(E)	(F)		
1	1	172B04-16400	SUPPORT ASSY,HARNESS	1	1						
2	1	22137-100000	WASHER, 10	1	1						
3	1	26013-100202	BOLT, M10X 20	1	1						
4	1	26013-100402	BOLT, M10X 40	2	2						

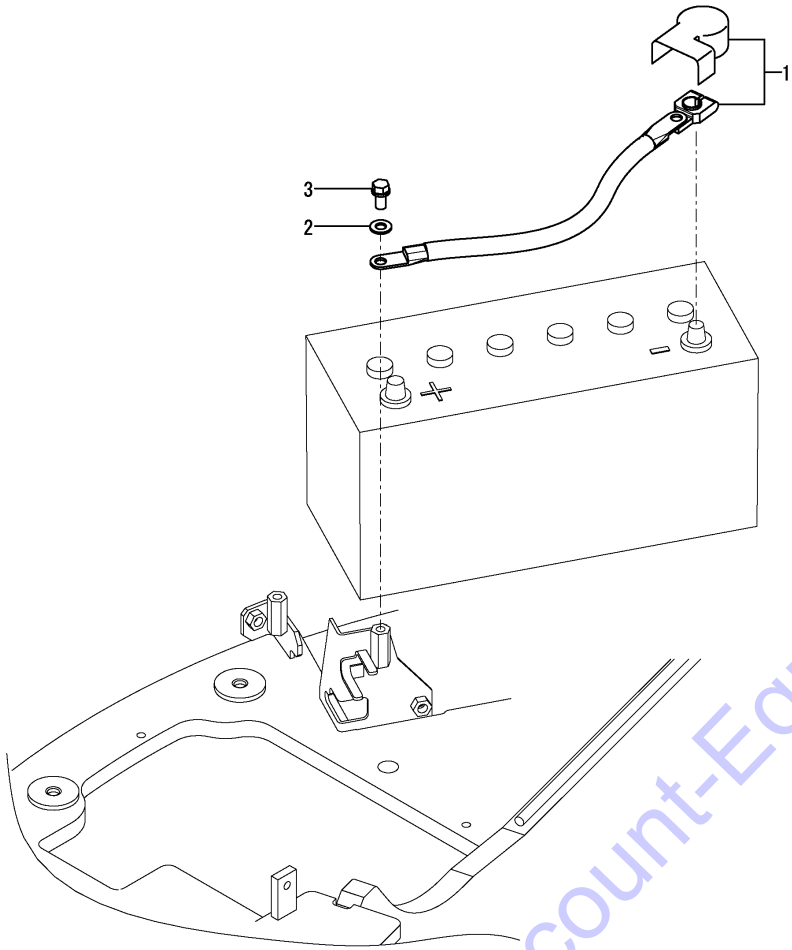
Go to Discount-Equipment.com to order your parts

Fig.21. BATTERY(MINUS CABLE)

(A)=VIO45-6A P(US)
 (B)=VIO45-6A C(US)
 (C)=

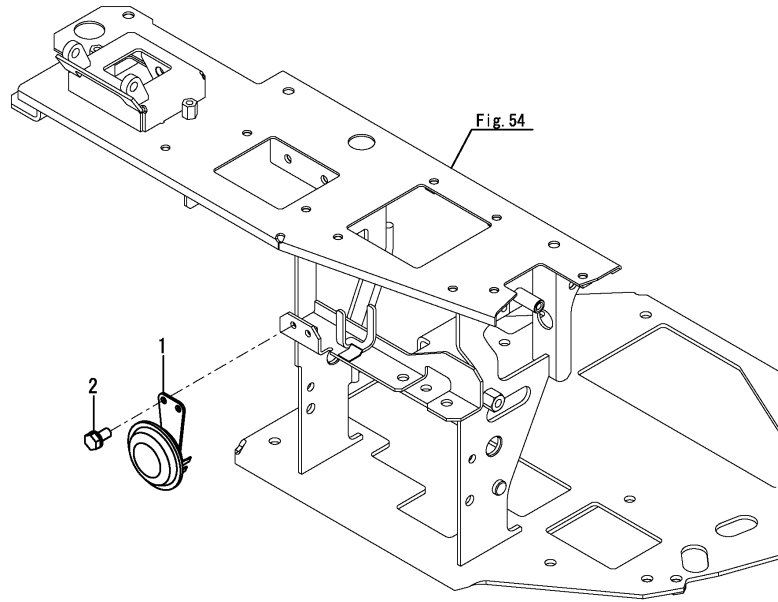
(D)=
 (E)=
 (F)=

No.	Lev.	Parts No.	Description	Q'ty						I	R
				(A)	(B)	(C)	(D)	(E)	(F)		
1	1	172B04-16120	CABLE,BATTERY MINUS	1	1						
2	1	22137-100000	WASHER, 10	1	1						
3	1	26013-100202	BOLT, M10X 20	1	1						



Go to Discount-Equipment.com to order your parts

Fig.22. HORN



(A)=VIO45-6A P(US)
 (B)=VIO45-6A C(US)
 (C)=

(D)=
 (E)=
 (F)=

No.	Lev.	Parts No.	Description	Q'ty						I	R
				(A)	(B)	(C)	(D)	(E)	(F)		
1	1	194151-57100	HORN	1	1						
2	1	26013-060122	BOLT, M6X 12	2	2						

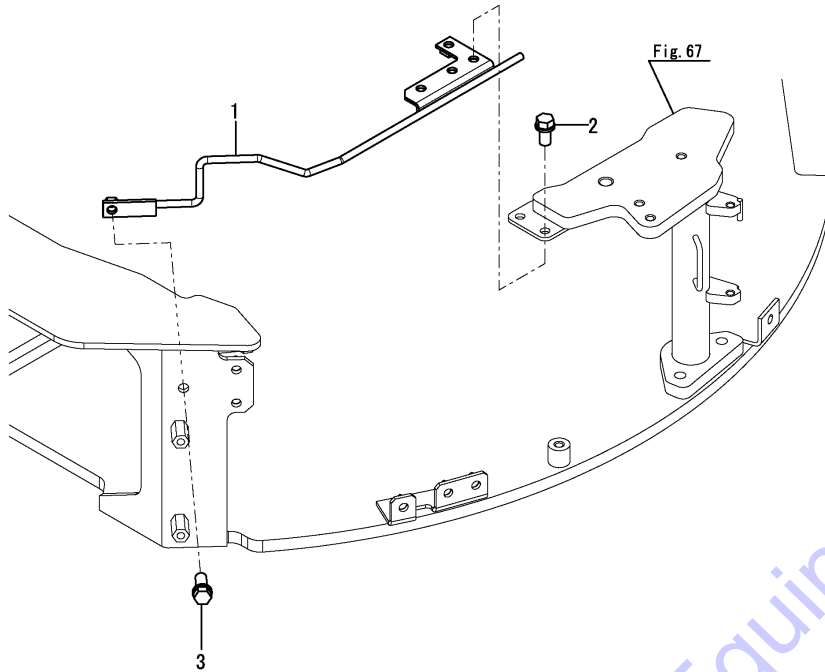
Go to Discount-Equipment.com to order your parts

Fig.23. HARNESS GUIDE

(A)=VIO45-6A P(US)
 (B)=VIO45-6A C(US)
 (C)=

(D)=
 (E)=
 (F)=

No.	Lev.	Parts No.	Description	Q'ty						I	R
				(A)	(B)	(C)	(D)	(E)	(F)		
1	1	172B03-16950	GUIDE ASSY, HARNESS	1	1						
2	1	26013-100202	BOLT, M10X 20	2	2						
3	1	26013-100252	BOLT, M10X 25	1	1						

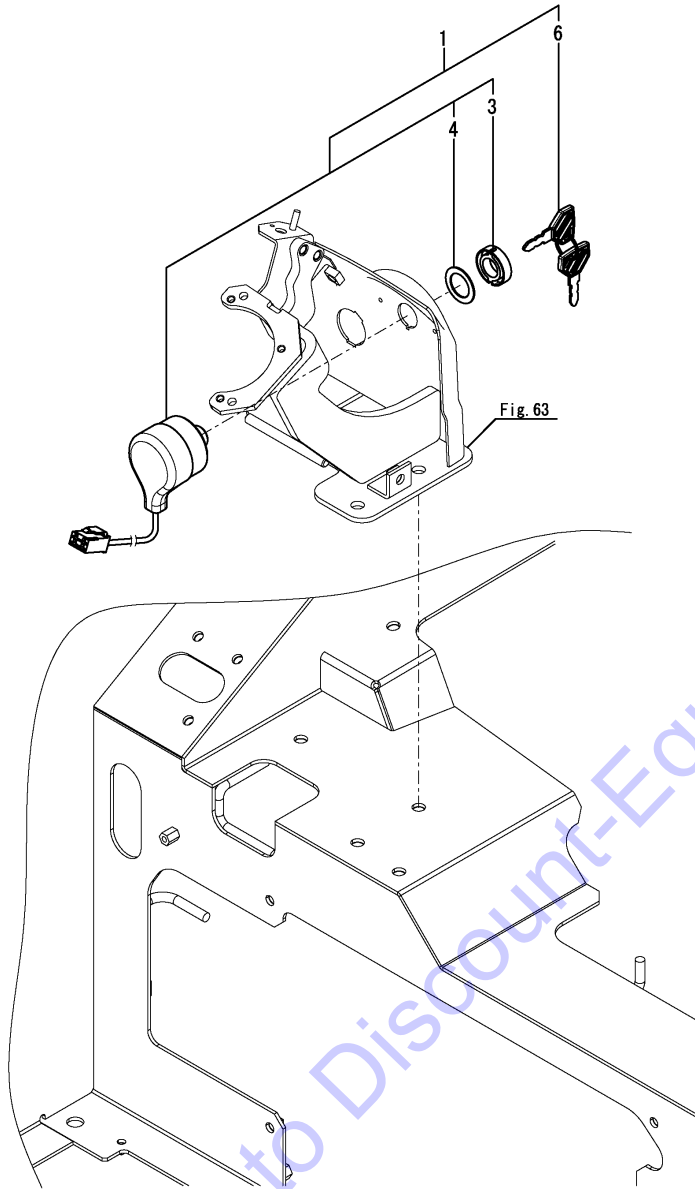


Go to Discount-Equipment.com to order your parts

Fig.24. STARTER SWITCH

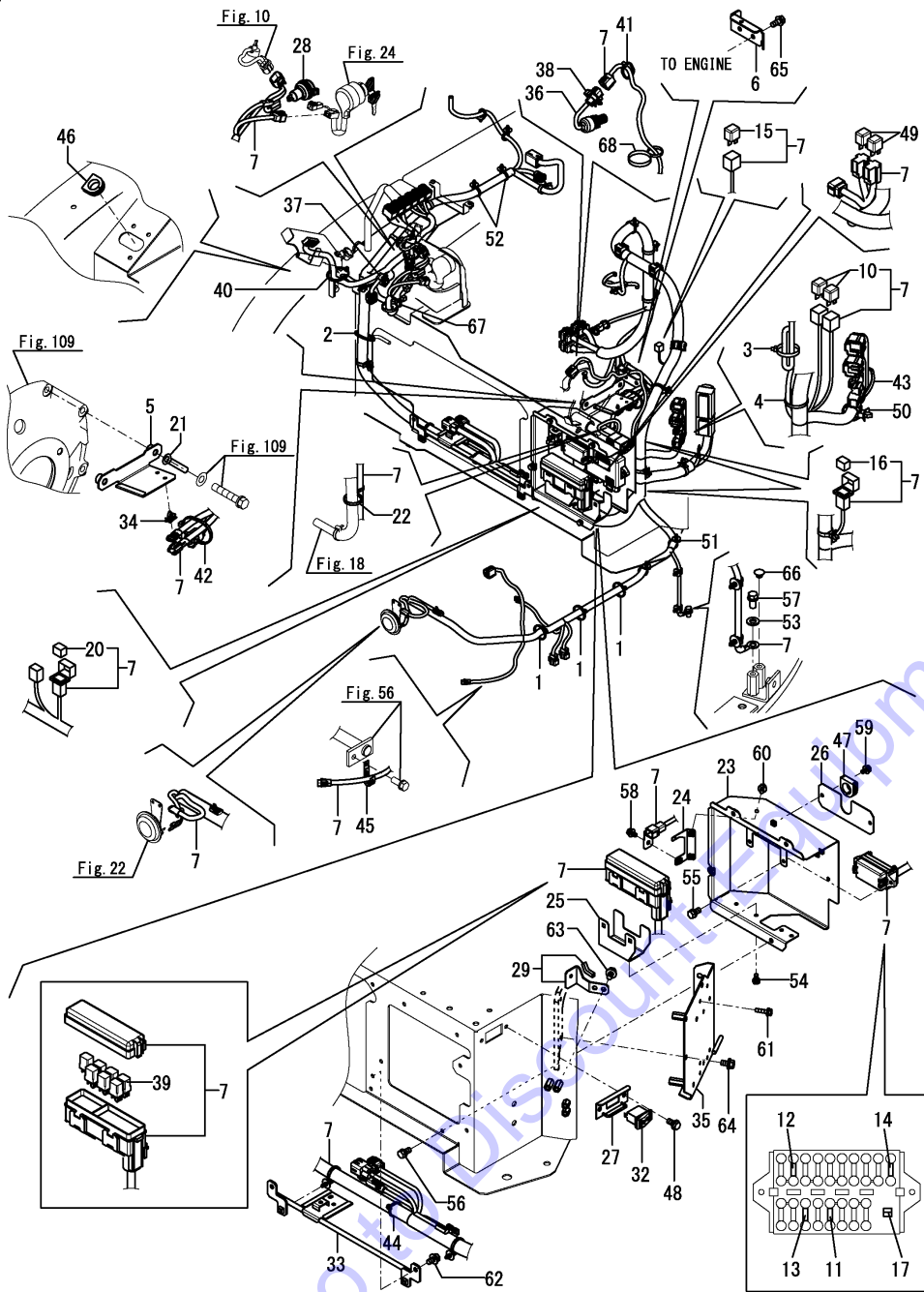
(A)=VIO45-6A P(US)
 (B)=VIO45-6A C(US)
 (C)=

(D)=
 (E)=
 (F)=



No.	Lev.	Parts No.	Description	Q'ty						I	R
				(A)	(B)	(C)	(D)	(E)	(F)		
1	1	194940-52110	SWITCH, STARTING	1	1						
3	3	198360-52320	NUT, RING	1	1						
4	3	198360-52330	WASHER	1	1						
6	2	198360-52160	KEY ASSY, SPARE	1	1						

Fig.25. AROUND THE SEAT



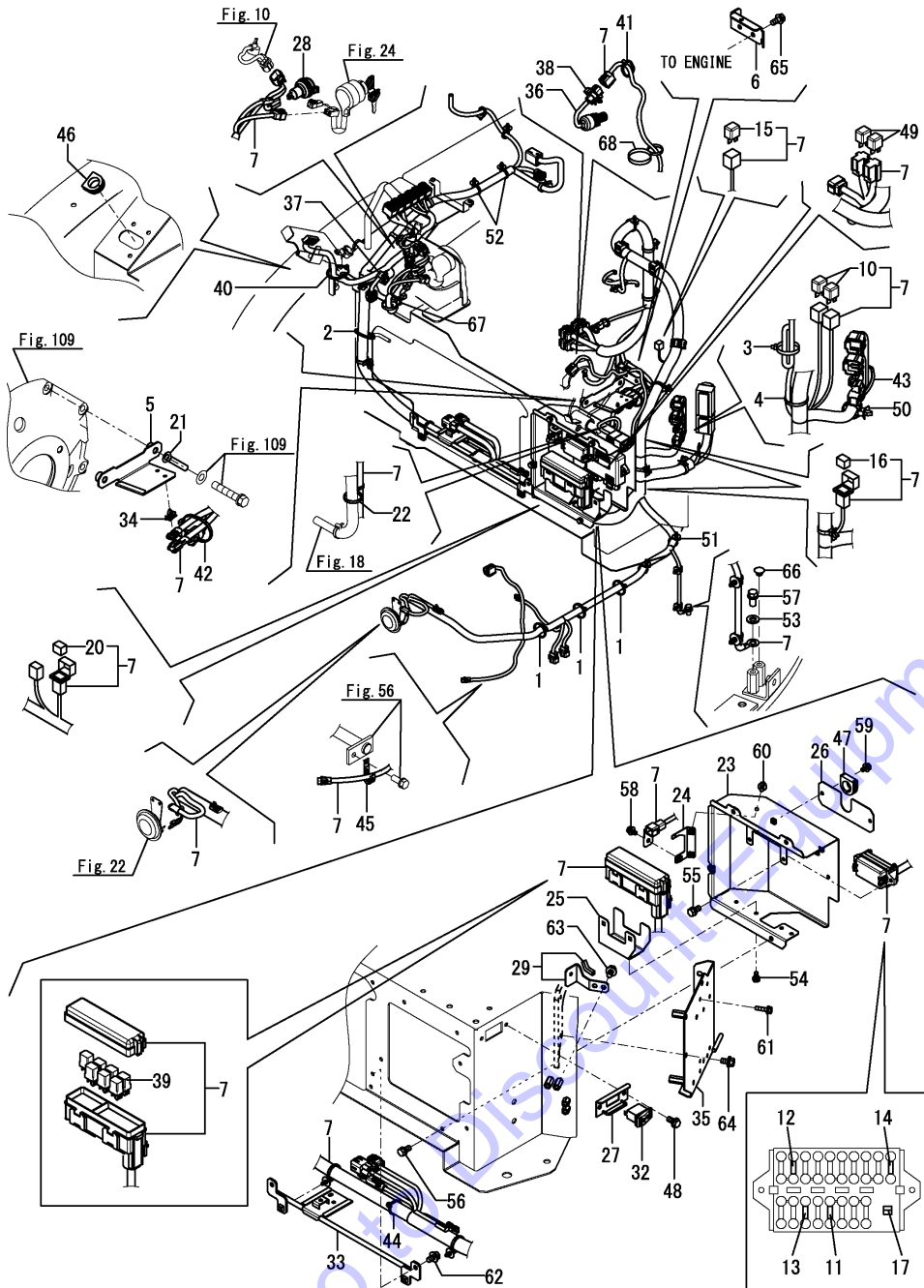
(A)=VIO45-6A P(US)
 (B)=VIO45-6A C(US)
 (C)=

(D)=
 (E)=
 (F)=

No.	Lev.	Parts No.	Description	Q'ty						I	R
				(A)	(B)	(C)	(D)	(E)	(F)		
1	1	172126-11510	BAND, BINDING 300	3	3						
2	1	172126-11510	BAND, BINDING 300	1	1						
3	1	172126-11510	BAND, BINDING 300	1	1						
4	1	172126-11510	BAND, BINDING 300	1	1						
5	1	172B04-16431	PLATE ASSY,CONNECTOR	1	1						
6	1	172B04-16460	MOUNT, HARNESS S	1	1						
7	1	172B04-16520	HARNESS ASSY,S.M.	1	1						
7-1	1	172B04-16521 (A=M60556) (B=M60556)	HARNESS ASSY, WIRE	1	1						N
7-2	1	172B04-16522 (A=M60629) (B=M60629)	HARNESS ASSY, MOUNT	1	1						N
7-3	1	172B04-16523 (A=M6G598) (B=M6G598)	HARNESS ASSY,S.M.	1	1						N
10	2	1A6382-51510	RESISTANCE, 2W R120	2	2						
11	2	198535-52110	FUSE, 5A	6	6						
12	2	198535-52120	FUSE, 10A	4	4						
13	2	198535-52140	FUSE, 20A	6	6						
14	2	1A7450-52180	FUSE, 25A	6	6						
15	2	1E8460-83120	DIODE, 090,1.5A	1	1						
16	2	1E8465-83170	DIODE, 090,1.5A	2	2						
17	2	1E9570-83900	PULLER, MINI FUSE	1	1						
20	2	1E8235-84910	DIODE, 090 31	4	4						
21	1	172126-16540	CLAMP, 10X70	1	1						
22	1	172137-16560	BAND, BINDING W	1	1						
23	1	172B04-17000	BOX ASSY, ELECTRIC	1	1						
24	1	172B03-17051	STAY ASSY, CONNECTOR	1	1						
25	1	172B04-17050	STAY ASSY, RELAY 10	1	1						
26	1	172B03-17100	COVER, FUSE	1	1						
27	1	172A89-17180	PLATE ASSY, SWITCH	1	1						
28	1	172A64-17250	SOCKET ASSY	1	1						
29	1	172B04-17250	STAY ASSY, HARNESS	1	1						
32	1	172A69-17260	SWITCH, ENGINE STOP	1	1						
33	1	172B04-17650	SUPPORT ASSY,HARNESS	1	1						
34	1	172B04-17790	CLIP, CONNECTOR	1	1						
35	1	172B04-17830	PLATE ASSY, GPS	1	1						
36	1	1D4103-18300	SWITCH, PUSH	1	1						
37	1	194440-51620	CLAMP, B	1	1						
37-1	1	1A1686-57850 (A=*2015.03.) (B=*2015.03.)	CLAMP, 80	1	1						N
38	1	194680-51670	BAND, CLIP	1	1						
39	1	1A7522-52950	RELAY, ACM13221M19	7	7						
40	1	194202-56460	BAND, BINDING 200	1	1						
41	1	194202-56460	BAND, BINDING 200	1	1						
42	1	194202-56460	BAND, BINDING 200	1	1						
43	1	194202-56460	BAND, BINDING 200	1	1						
44	1	194202-56460	BAND, BINDING 200	1	1						
45	1	1A1686-57850	CLAMP, 80	1	1						
46	1	172165-62800	GROMMET, 26	1	1						
47	1	172165-62800	GROMMET, 26	1	1						
48	1	172519-63240	BOLT, M8X16	2	2						
49	1	129927-77920	RELAY, ISO 70A	2	2						

N:Old \xrightarrow{Yes} New, Q:Old \xrightarrow{No} New, R:Old \xrightarrow{Yes} New, S:Old \xrightarrow{No} New, W:Add, Z:Discontinued, F:Interchangeable by set, K:Q'ty Change
 ++ CONTINUE ++
 Copyright (C) 2013 YANMAR CO., LTD. All Rights Reserved.

Fig.25. AROUND THE SEAT



(A)=VIO45-6A P(US)
 (B)=VIO45-6A C(US)
 (C)=

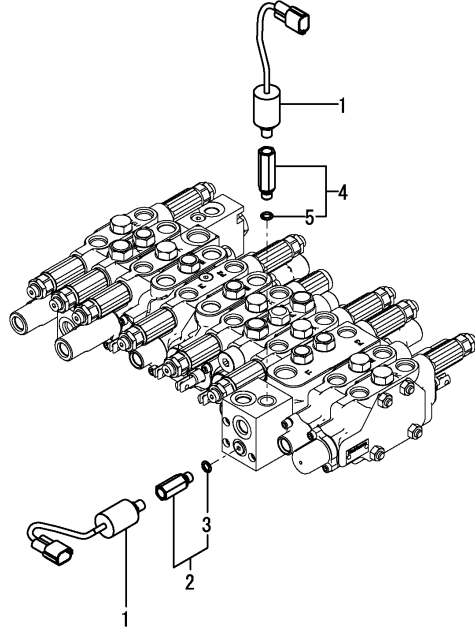
(D)=
 (E)=
 (F)=

No.	Lev.	Parts No.	Description	Q'ty						I	R
				(A)	(B)	(C)	(D)	(E)	(F)		
50	1	1E8775-84120	CLAMP, BAND B	1	1						
51	1	1E8915-84120	CLAMP, BAND C	1	1						
52	1	1E8915-84120	CLAMP, BAND C	2	2						
53	1	22137-100000	WASHER, 10	1	1						
54	1	26013-060122	BOLT, M6X 12	2	2						
55	1	26013-060202	BOLT, M6X 20	2	2						
56	1	26013-080162	BOLT, M8X 16	4	4						
57	1	26013-100202	BOLT, M10X 20	1	1						
58	1	26014-060122	BOLT, M6X 12	1	1						
59	1	26014-060122	BOLT, M6X 12	2	2						
60	1	26014-060122	BOLT, M6X 12	2	2						
61	1	26014-060252	BOLT, M6X 25	4	4						
62	1	26014-080162	BOLT, M8X 16	2	2						
63	1	26014-080162	BOLT, M8X 16	2	2						
64	1	26014-080162	BOLT, M8X 16	3	3						
65	1	26106-080162	BOLT, M8X 16 PLATED	2	2						
66	1	172183-81160	CLIP, TREE 9.5	1	1						
67	1	172187-78580	BAND, BINDING W 397	1	1						W
(A=*2017.10.) (B=*2017.10.)											
68	1	172187-78580	BAND, BINDING W 397	1	1						W
(A=M6F558) (B=M6F558)											

Fig.26. PRESSURE SWITCH

(A)=VIO45-6A P(US)
 (B)=VIO45-6A C(US)
 (C)=

(D)=
 (E)=
 (F)=



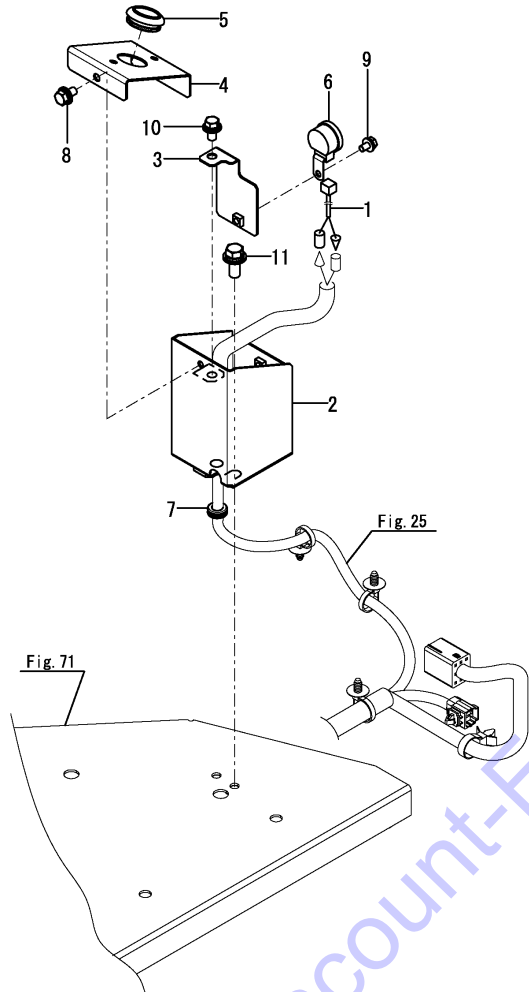
No.	Lev.	Parts No.	Description	Q'ty						I	R
				(A)	(B)	(C)	(D)	(E)	(F)		
1	1	172478-17201	SWITCH, PRESSURE	2	2						
2	1	172A47-76111	CONNECTOR, G1/8XR1/8	1	1						
3	2	24315-000080	O-RING, 1BP8.0	1	1						
4	1	172A79-76110	CONNECTOR, G1/8XR1/8	1	1						
5	2	24315-000080	O-RING, 1BP8.0	1	1						

Go to Discount-Equipment.com to order your parts

Fig.27. TRAVEL BUZZER

(A)=VIO45-6A P(US)
 (B)=VIO45-6A C(US)
 (C)=

(D)=
 (E)=
 (F)=



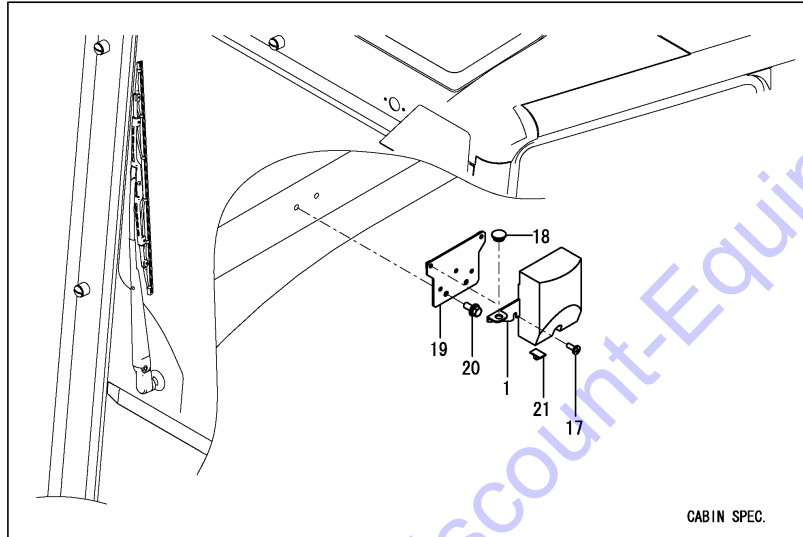
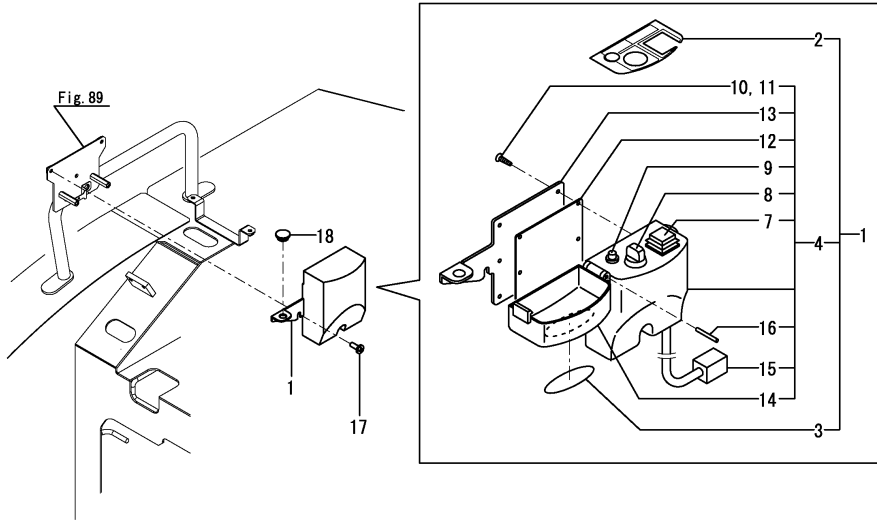
No.	Lev.	Parts No.	Description	Q'ty						I	R
				(A)	(B)	(C)	(D)	(E)	(F)		
1	1	172B03-16570	HARNES, BUZZER	1	1						
2	1	172B03-16740	BRACKET ASSY, BUZZUR	1	1						
3	1	172B03-16760	BRACKET ASSY	1	1						
4	1	172B03-16890	PLATE, TRAVEL	1	1						
5	1	172456-53700	GROMMET	1	1						
6	1	198071-57110	BUZZER, BACK	1	1						
7	1	172162-61850	GROMMET	1	1						
8	1	26014-060122	BOLT, M6X 12	2	2						
9	1	26014-060162	BOLT, M6X 16	1	1						
10	1	26014-080162	BOLT, M8X 16	1	1						
11	1	26014-080202	BOLT, M8X 20	2	2						

Go to Discount-Equipment.com to order your parts

Fig.28. QUICK COUPLER(SWITCH BOX)

(A)=VIO45-6A P(US)
 (B)=VIO45-6A C(US)
 (C)=

(D)=
 (E)=
 (F)=



No.	Lev.	Parts No.	Description	Q'ty						I	R
				(A)	(B)	(C)	(D)	(E)	(F)		
1	1	172958-17111	BOX, SWITCH EX	1	1						1
1-1	1	172958-17410	BOX, SWITCH EX D	1	1						S 2
		(A=MAF001) (B=MAF001)									
2	2	172472-03290	LABEL, SWITCH	1	1						
3	2	172472-03300	LABEL, COVER	1	1						
4	2	172958-17102	BOX, SWITCH	1	1						1
4-1	2	172958-17400	BOX, SWITCH D	1	1						S 2
		(A=MAF001) (B=MAF001)									
7	3	172958-17140	SWITCH ASSY	1	1						
8	3	172958-17150	SWITCH ASSY	1	1						
9	3	172958-17160	LAMP, INDICATOR	1	1						
10	3	172958-17170	SCREW, TAPPING	6	6						
11	3	172958-17180	SCREW, TAPPING	2	2						
12	3	172958-17190	PACKING	1	1						
13	3	172958-17200	BRACKET	1	1						
14	3	172958-17210	CASE	1	1						1
14-1	3	172958-17230	CASE, UPPER	1	1						S 2
		(A=MAF001) (B=MAF001)									
15	3	172958-17220	CORD	1	1						
16	3	22351-030028	PIN, SPRING 3.0X28	1	1						
17	1	172137-46210	SCREW	3	3						
18	1	172187-64900	PLUG	1	1						
19	1	172B03-17900	STAY ASSY		1						
20	1	26014-080202	BOLT, M8X 20		2						
21	1	933169-15231	STEP		1						

Remarks

- (1)Color = DARK OLIVE GRAY.
- (2)Color = PANTONE 425C.

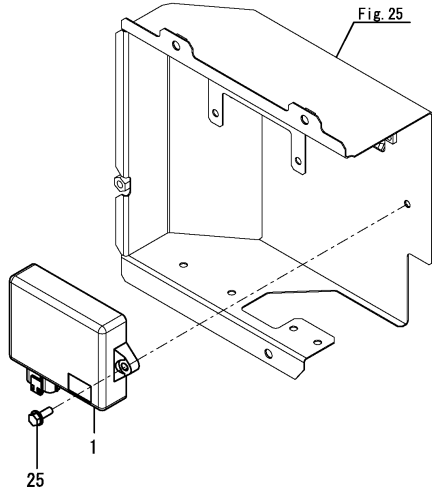
Fig.29. CONTROLLER

(A)=VIO45-6A P(US)
 (B)=VIO45-6A C(US)
 (C)=

(D)=
 (E)=
 (F)=

No.	Lev.	Parts No.	Description	Q'ty						I	R
				(A)	(B)	(C)	(D)	(E)	(F)		
1	1	1A8280-50900	CONTROLLER		1						1
25	1	26106-060162	BOLT, M6X 16 PLATED		2						
25-1	1	26014-060202	BOLT, M6X 20		2						R

(B)*2015.09.)

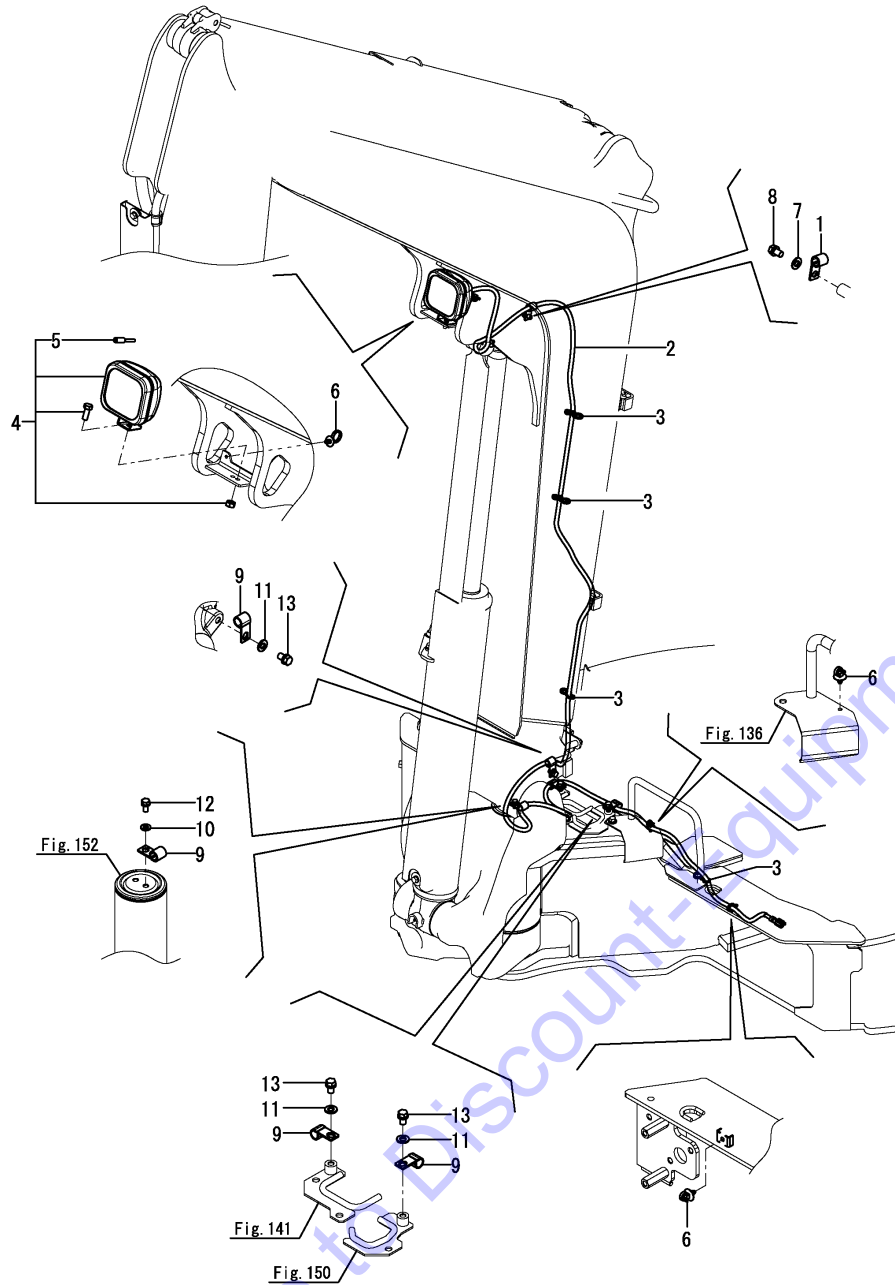


Remarks
 (1)Spare parts.
 To install proper information, go to an authorized distributor.

Fig.30. WORK LAMP

(A)=VIO45-6A P(US)
 (B)=VIO45-6A C(US)
 (C)=

(D)=
 (E)=
 (F)=



No.	Lev.	Parts No.	Description	Q'ty						I	R
				(A)	(B)	(C)	(D)	(E)	(F)		
1	1	172B03-16130	CLAMP	1	1						
2	1	172B04-16550	HARNES,WORK LAMP	1	1						
3	1	172137-16560	BAND	4	4						
4	1	172B03-17460	LAMP ASSY,WORK	1	1						
5	2	172B03-17470	BULB, 12V 55W	1	1						
6	1	1E8915-84120	CLAMP, BAND	4	4						
7	1	22137-100000	WASHER, 10	1	1						
8	1	26013-100162	BOLT, M10X 16	1	1						
9	1	172B03-16130	CLAMP	4	4						
10	1	22137-080000	WASHER, 8	1	1						
11	1	22137-100000	WASHER, 10	3	3						
12	1	26013-080162	BOLT, M8X 16	1	1						
13	1	26013-100162	BOLT, M10X 16	3	3						

Fig.31. CANOPY LAMP

(A)=VIO45-6A P(US)
 (B)=VIO45-6A C(US)
 (C)=

(D)=
 (E)=
 (F)=

No.	Lev.	Parts No.	Description	Q'ty						I	R
				(A)	(B)	(C)	(D)	(E)	(F)		
1	1	172126-11510	BAND	1							
2	1	172B03-16650	HARNESS,LAMP B	1							
3	1	172B04-16660	HARNESS,LAMP A	1							
4	1	1A7611-86351	LAMP, WORK 55W	1							
5	2	1A7611-86270	BULB, 12V-55W	1							
7	1	22137-100000	WASHER, 10	1							
8	1	26013-100202	BOLT, M10X 20	1							

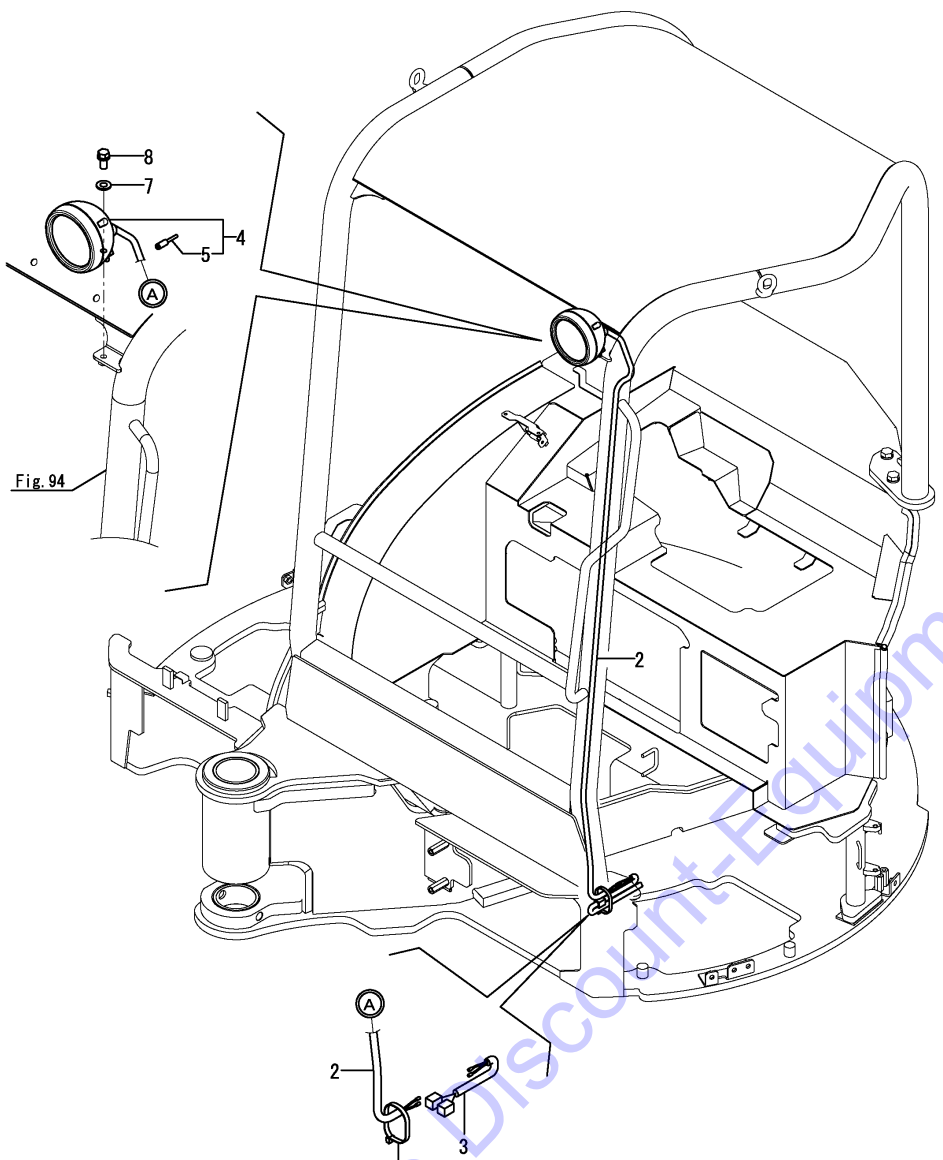
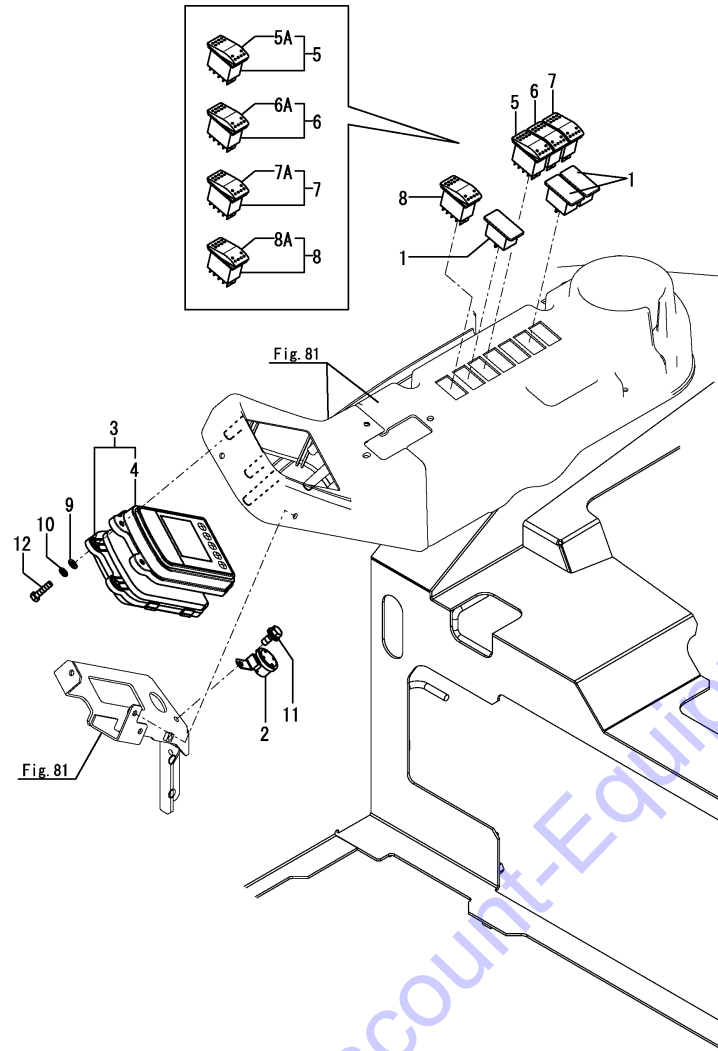


Fig.32. INSTRUMENT PANEL(CANOPY)

(A)=VIO45-6A P(US)
 (B)=VIO45-6A C(US)
 (C)=

(D)=
 (E)=
 (F)=



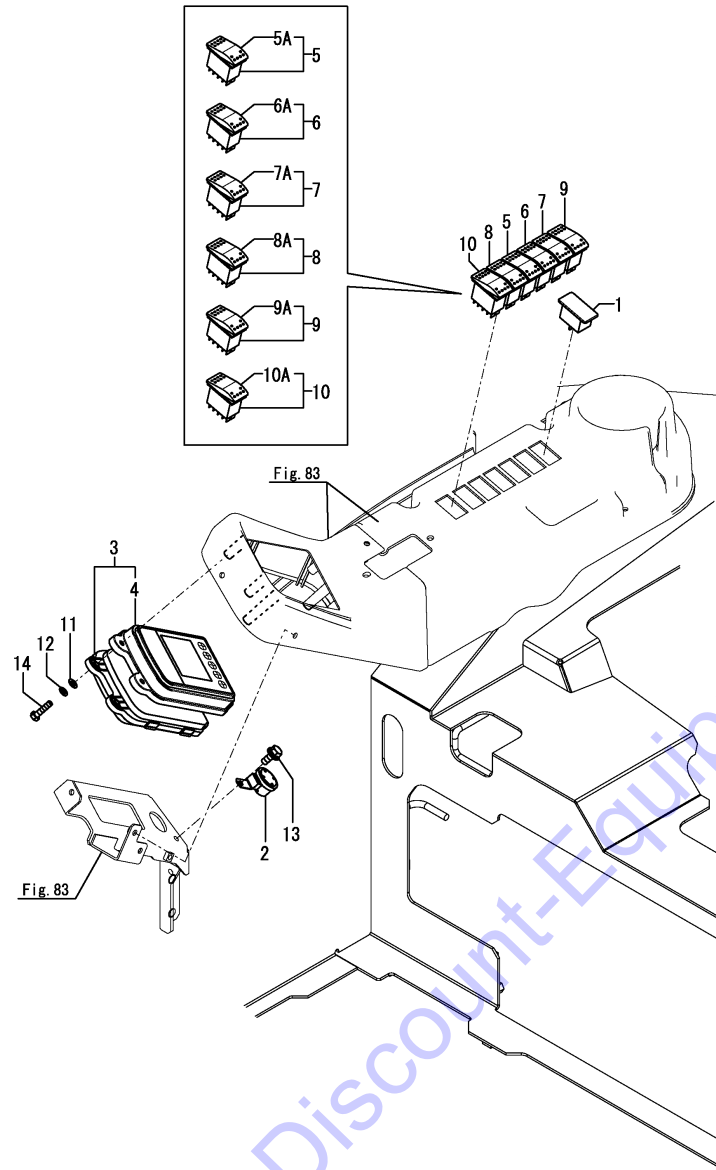
No.	Lev.	Parts No.	Description	Q'ty						I	R
				(A)	(B)	(C)	(D)	(E)	(F)		
1	1	172538-17100	PLUG, PANEL	3							
2	1	172141-17150	BUZZER	1							
3	1	172B03-17254	MONITOR ASSY	1							
3-1	1	172B03-17259 (A=M6F740)	MONITOR ASSY	1							N
4	2	172B03-17261	MONITOR ASSY,UPPER	1							
5	1	172B03-17301	SWITCH,LIGHT	1							
5A	2	172B03-17350	COVER,SWITCH LIGHT	1							
6	1	172B03-17310	SWITCH, ECO	1							
6A	2	172B03-17360	COVER,SWITCH ECO	1							
7	1	172B03-17320	SWITCH, AUTO DECEL	1							
7A	2	172B03-17370	COVER,SWITCH A/D	1							
8	1	172B04-17990	SWITCH, DPF	1							
8A	2	172B04-17740	COVER,SWITCH DPF	1							
9	1	22137-050000	WASHER, 5	4							
10	1	22217-050000	WASHER, SPRING 5	4							
11	1	26014-060122	BOLT, M6X 12	1							
12	1	26116-050202	BOLT, M5X 20 PLATED	4							

Remarks
 * DPF: DPF stands for DIESEL PARTICULATE FILTER.

Fig.33. INSTRUMENT PANEL(CABIN)(HEATER SPEC.)

(A)=VIO45-6A P(US)
 (B)=VIO45-6A C(US)
 (C)=

(D)=
 (E)=
 (F)=



No.	Lev.	Parts No.	Description	Q'ty						I	R
				(A)	(B)	(C)	(D)	(E)	(F)		
1	1	172538-17100	PLUG, PANEL		1						
2	1	172141-17150	BUZZER		1						
3	1	172B03-17254	MONITOR ASSY		1						
3-1	1	172B03-17259 (B=M6F740)	MONITOR ASSY		1						N
4	2	172B03-17261	MONITOR ASSY,UPPER		1						
5	1	172B03-17301	SWITCH,LIGHT		1						
5A	2	172B03-17350	COVER,SWITCH LIGHT		1						
6	1	172B03-17310	SWITCH, ECO		1						
6A	2	172B03-17360	COVER,SWITCH ECO		1						
7	1	172B03-17320	SWITCH, AUTO DECEL		1						
7A	2	172B03-17370	COVER,SWITCH A/D		1						
8	1	172B03-17331	SWITCH,WIPER		1						
8A	2	172B03-17380	COVER,SWITCH WIPER		1						
9	1	172B03-17341	SWITCH,HEATER		1						
9A	2	172B03-17390	COVER,SWITCH HEATER		1						
10	1	172B04-17990	SWITCH, DPF		1						
10A	2	172B04-17740	COVER,SWITCH DPF		1						
11	1	22137-050000	WASHER, 5		4						
12	1	22217-050000	WASHER, SPRING 5		4						
13	1	26014-060162	BOLT, M6X 16		1						
14	1	26116-050202	BOLT, M5X 20 PLATED		4						

Remarks

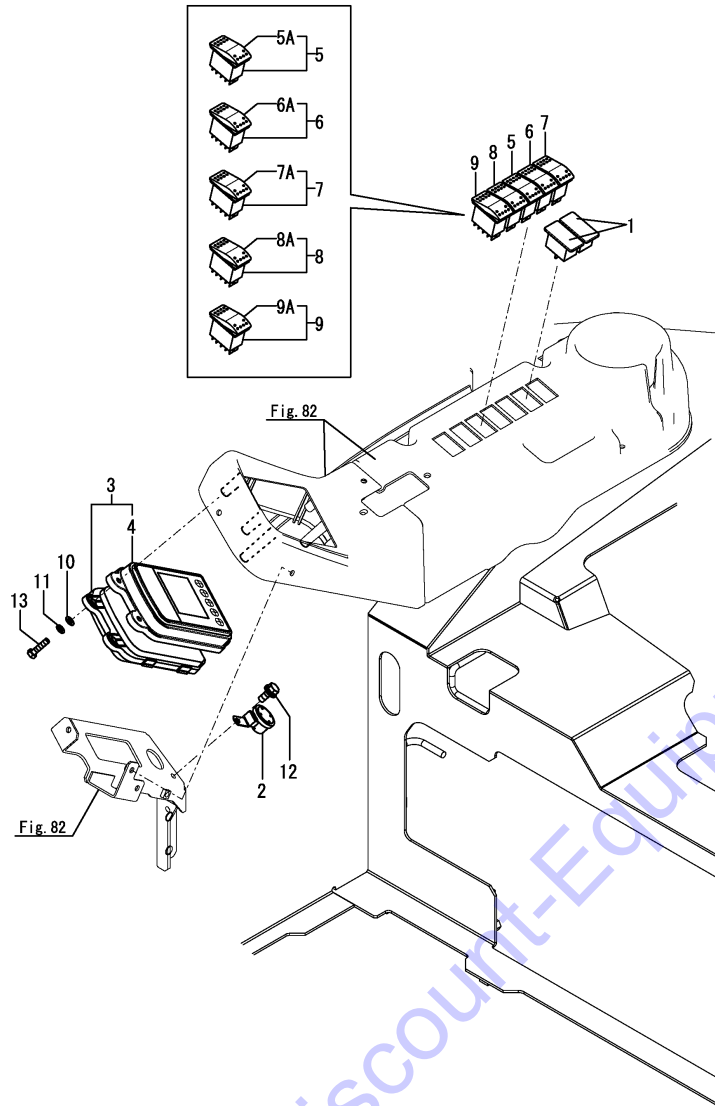
* DPF: DPF stands for DIESEL PARTICULATE FILTER.

N:Old $\begin{matrix} \leftarrow \text{Yes} \\ \text{No} \end{matrix}$ New, Q:Old $\begin{matrix} \leftarrow \text{No} \\ \text{Yes} \end{matrix}$ New, R:Old $\begin{matrix} \leftarrow \text{Yes} \\ \text{Yes} \end{matrix}$ New, S:Old $\begin{matrix} \leftarrow \text{No} \\ \text{No} \end{matrix}$ New, W:Add, Z:Discontinued, F:Interchangeable by set, K:Q'ty Change

Fig.34. INSTRUMENT PANEL(CABIN)(AIR CONDITIONER SPEC.)

(A)=VIO45-6A P(US)
 (B)=VIO45-6A C(US)
 (C)=

(D)=
 (E)=
 (F)=



No.	Lev.	Parts No.	Description	Q'ty						I	R
				(A)	(B)	(C)	(D)	(E)	(F)		
1	1	172538-17100	PLUG, PANEL		2						
2	1	172141-17150	BUZZER		1						
3	1	172B03-17254	MONITOR ASSY		1						
3-1	1	172B03-17259 (B=M6F740)	MONITOR ASSY		1						N
4	2	172B03-17261	MONITOR ASSY,UPPER		1						
5	1	172B03-17301	SWITCH,LIGHT		1						
5A	2	172B03-17350	COVER,SWITCH LIGHT		1						
6	1	172B03-17310	SWITCH, ECO		1						
6A	2	172B03-17360	COVER,SWITCH ECO		1						
7	1	172B03-17320	SWITCH, AUTO DECEL		1						
7A	2	172B03-17370	COVER,SWITCH A/D		1						
8	1	172B03-17331	SWITCH,WIPER		1						
8A	2	172B03-17380	COVER,SWITCH WIPER		1						
9	1	172B04-17990	SWITCH, DPF		1						
9A	2	172B04-17740	COVER,SWITCH DPF		1						
10	1	22137-050000	WASHER, 5		4						
11	1	22217-050000	WASHER, SPRING 5		4						
12	1	26014-060122	BOLT, M6X 12		1						
13	1	26116-050202	BOLT, M5X 20 PLATED		4						

Remarks

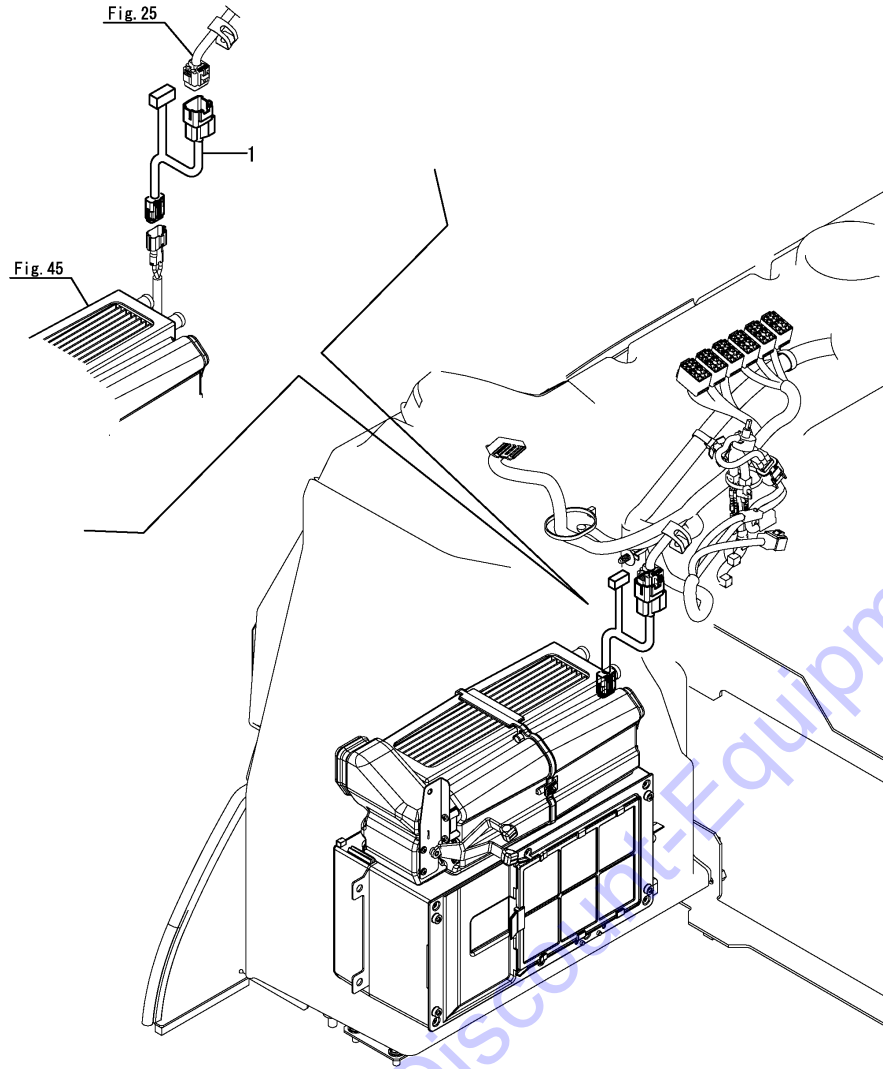
* DPF: DPF stands for DIESEL PARTICULATE FILTER.

N:Old $\xrightarrow{\text{Yes}}$ New, Q:Old $\xrightarrow{\text{No}}$ New, R:Old $\xrightarrow{\text{Yes}}$ New, S:Old $\xrightarrow{\text{No}}$ New, W:Add, Z:Discontinued, F:Interchangeable by set, K:Q'ty Change

Fig.35. HARNESS(AIR HEATER)

(A)=VIO45-6A P(US)
 (B)=VIO45-6A C(US)
 (C)=

(D)=
 (E)=
 (F)=

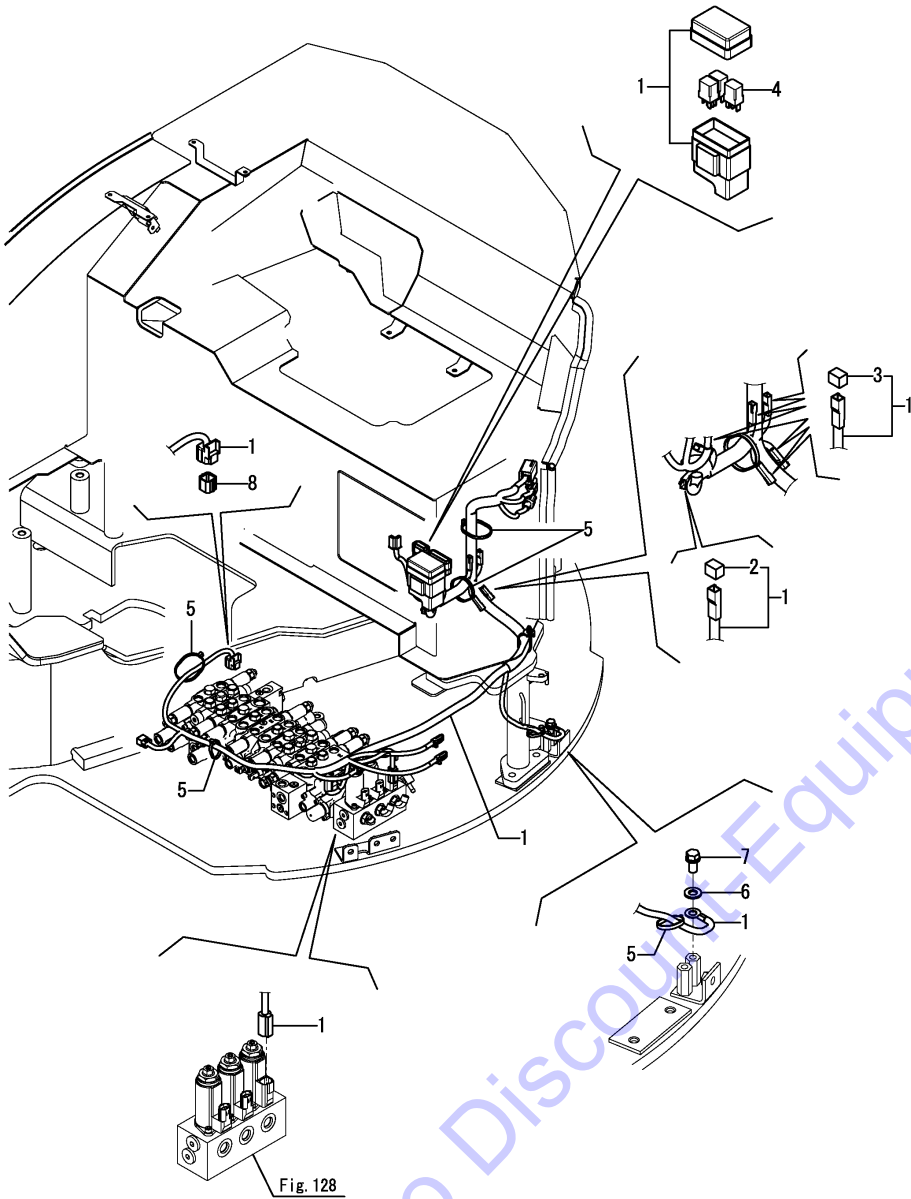


No.	Lev.	Parts No.	Description	Q'ty						I	R	
				(A)	(B)	(C)	(D)	(E)	(F)			
1	1	172B04-16870	HARNESS,HEATER		1							

Fig.36. WORK CONTROL

(A)=VIO45-6A P(US)
 (B)=VIO45-6A C(US)
 (C)=

(D)=
 (E)=
 (F)=

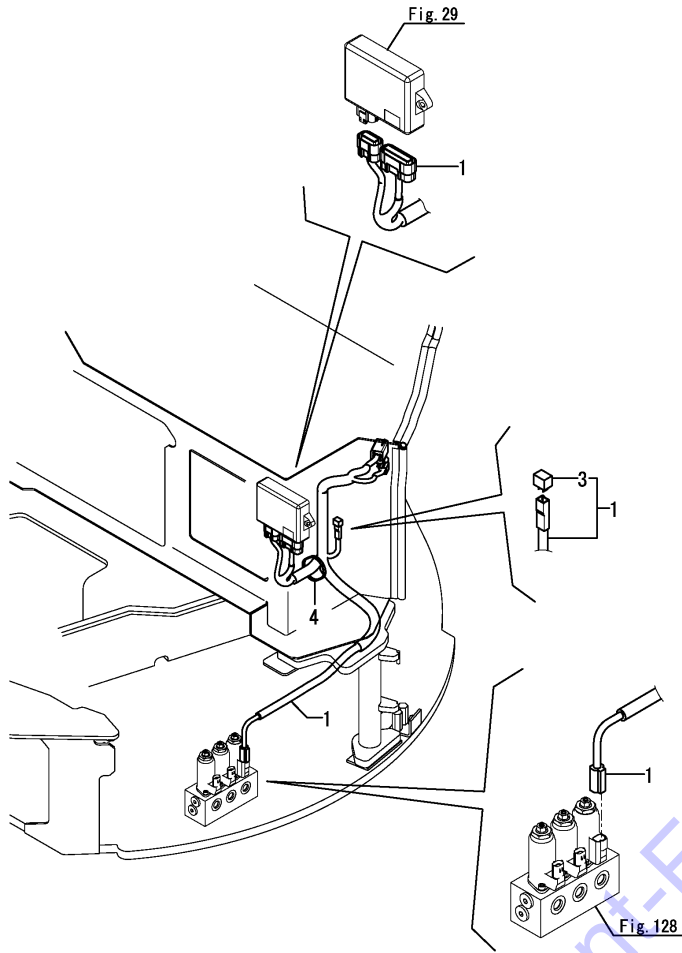


No.	Lev.	Parts No.	Description	Q'ty						I	R	
				(A)	(B)	(C)	(D)	(E)	(F)			
1	1	172B04-16700 (B=M6G084)	HARNES ASSY,WORKCTL		1						Z	
2	2	1E8460-83120	DIODE, 090,1.5A		1							
3	2	1E8235-84910	DIODE, 090 31		5							
4	1	1A7522-52950 (B=M6G084)	RELAY, ACM13221M19		3						Z	
5	1	194202-56460	BAND, 200		2							
5-1	1	194202-56460 (B=M60506)	BAND, 200		5							K
5-2	1	194202-56460 (B=M6G084)	BAND, BINDING 200		5						Z	
6	1	22137-100000 (B=M6G084)	WASHER, 10		1						Z	
7	1	26013-100202 (B=M6G084)	BOLT, M10X 20		1						Z	
8	1	172B03-16070 (B=M60611)	CONNECTOR,CAP		1							W
8-1	1	172B03-16070 (B=M6G084)	CONNECTOR, CAP		1							Z

Fig.211. (36A)E.S.S.

(A)=VIO45-6A P(US)
 (B)=VIO45-6A C(US)
 (C)=

(D)=
 (E)=
 (F)=



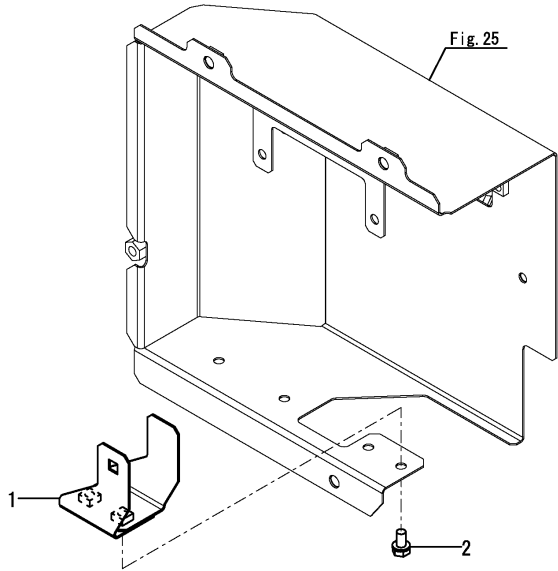
No.	Lev.	Parts No.	Description	Q'ty						I	R	
				(A)	(B)	(C)	(D)	(E)	(F)			
1	1	172845-16640	HARNESS ASSY,GRA ESS		1							
3	2	1E8235-84910	DIODE, 090 31		1							
4	1	194202-56460	BAND, BINDING 200		1							

Go to Discount-Equipment.com to order your parts

Fig.37. RELAY BRACKET

(A)=VIO45-6A P(US)
 (B)=VIO45-6A C(US)
 (C)=

(D)=
 (E)=
 (F)=



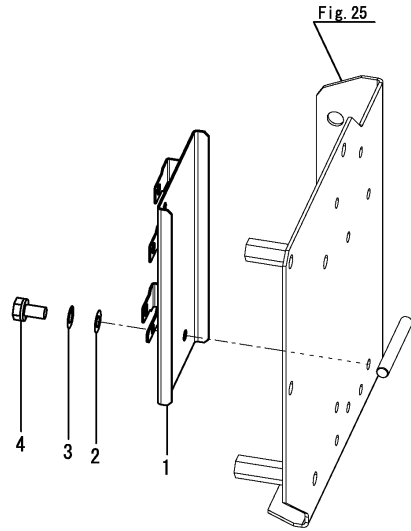
No.	Lev.	Parts No.	Description	Q'ty						I	R
				(A)	(B)	(C)	(D)	(E)	(F)		
1	1	172B04-17110 (B=M6G084)	STAY ASSY, RELAY4		1						Z
2	1	26013-060122 (B=M6G084)	BOLT, M6X 12		2						Z

Go to Discount-Equipment.com to order your parts

Fig.38. HARNESS MOUNT

(A)=VIO45-6A P(US)
 (B)=VIO45-6A C(US)
 (C)=

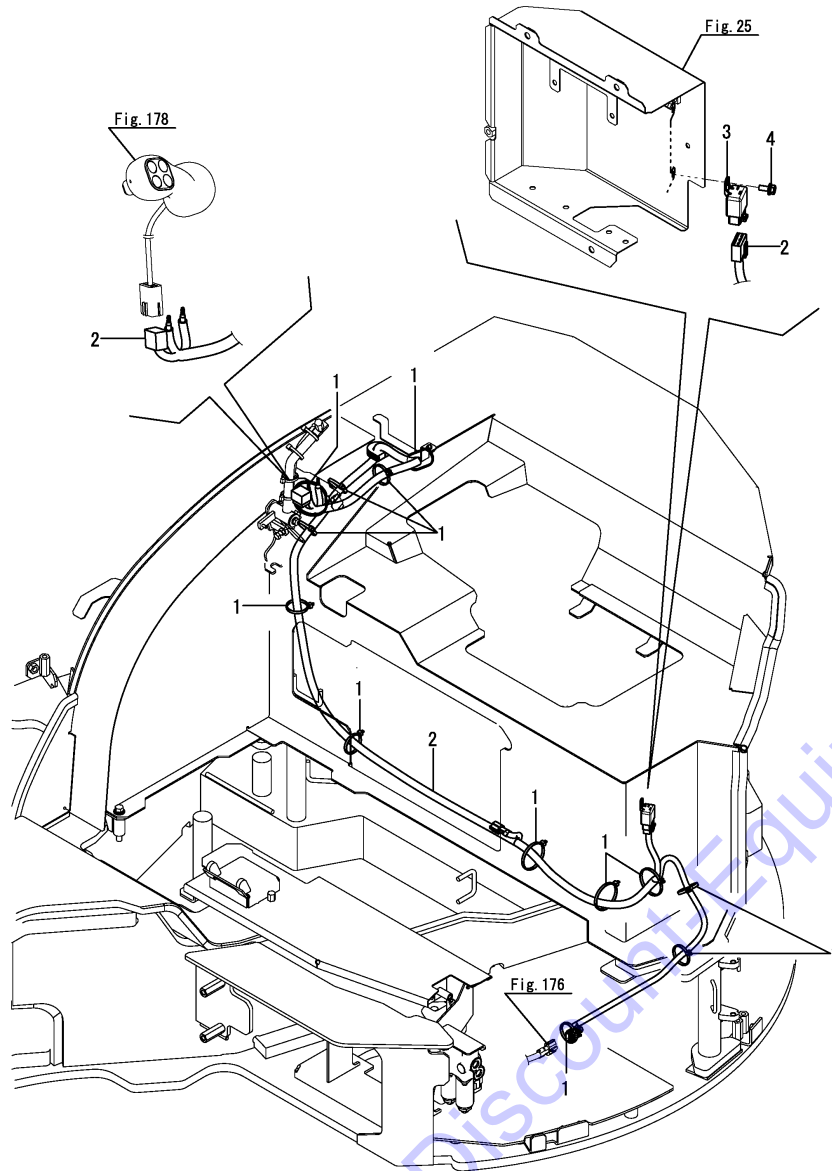
(D)=
 (E)=
 (F)=



No.	Lev.	Parts No.	Description	Q'ty						I	R
				(A)	(B)	(C)	(D)	(E)	(F)		
1	1	172B04-17750	MOUNT ASSY,HNS T	1	1						
2	1	22137-060000	WASHER, 6	2	2						Z
		(A=*2013.10)	(B=*2013.10)								
3	1	22217-060000	WASHER, SPRING 6	2	2						Z
		(A=*2013.10)	(B=*2013.10)								
4	1	26116-060162	BOLT, M6X 16 PLATED	2	2						
4-1	1	26013-060122	BOLT, M6X 12	2	2						N
		(A=*2013.10)	(B=*2013.10)								

Go to Discount-Equipment.com to order your parts

Fig.177. (38B)ANGLE BLADE LEVER(ANGLE BLADE SPEC.)



(A)=VIO45-6A P(US)
 (B)=VIO45-6A C(US)
 (C)=

(D)=
 (E)=
 (F)=

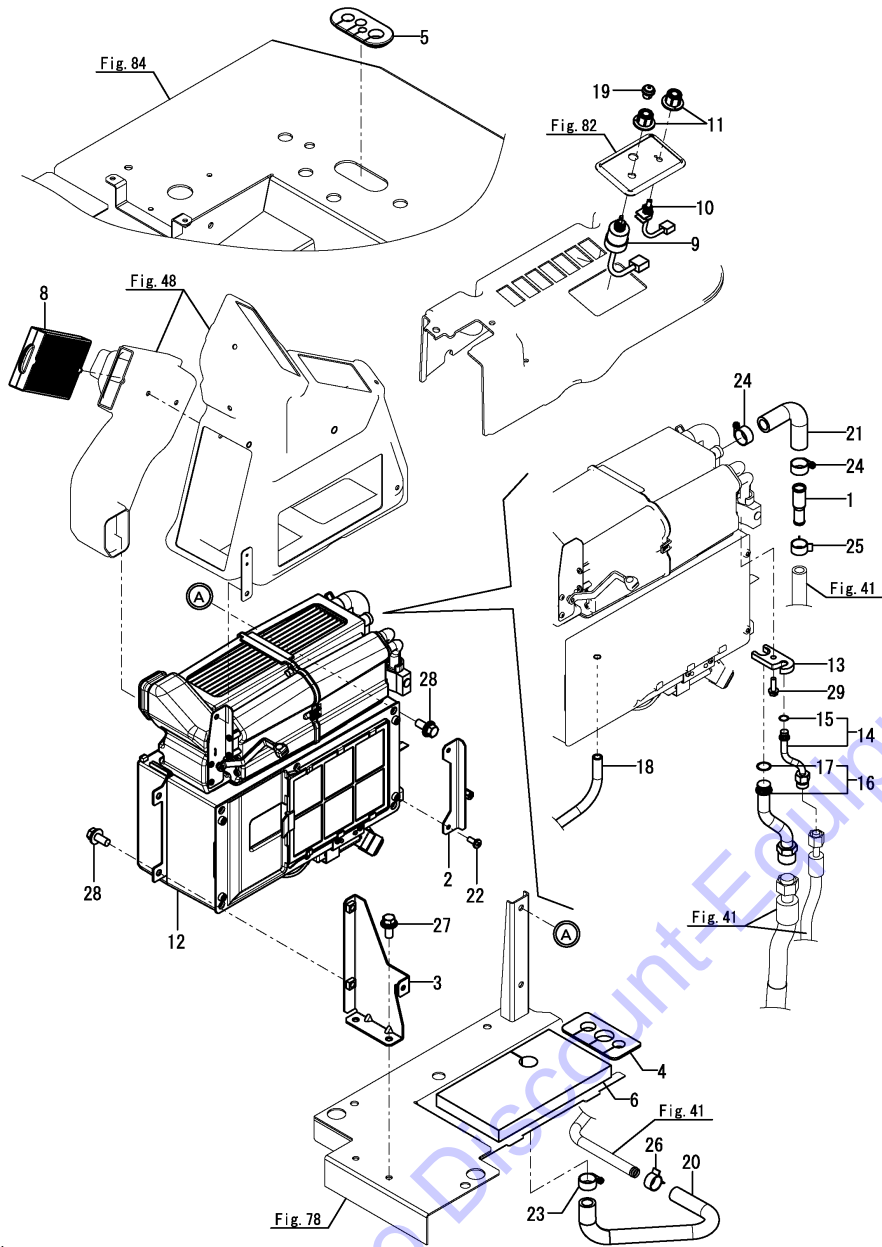
No.	Lev.	Parts No.	Description	Q'ty						I	R
				(A)	(B)	(C)	(D)	(E)	(F)		
1	1	172126-11510	BAND, 300	13	13						
2	1	172B05-16340	HARNES,ANGLE BLADE	1	1						
3	1	172B02-17150	RELAY,CA C TYPE	1	1						
4	1	26014-060162	BOLT, 6 X 16	1	1						

Remarks
 * Exclusive figure for angle blade specification.

Fig.39. AIR CONDITIONER(UNIT)

(A)=VIO45-6A P(US)
 (B)=VIO45-6A C(US)
 (C)=

(D)=
 (E)=
 (F)=



No.	Lev.	Parts No.	Description	Q'ty						I	R
				(A)	(B)	(C)	(D)	(E)	(F)		
1	1	172455-17930	JOINT, HOSE		1						
2	1	172B03-18310	STAY ASSY		1						
3	1	172B03-18350	BRACKET ASSY, AC F		1						
4	1	172B04-18550	GROMMET, HOSE-AC		1						
5	1	172B03-18570	GROMMET		1						
6	1	172B04-18580	SPONGE, PARTITION		1						
8	1	172B06-18420	FILTER, AIR		1						
9	1	172B06-18560	SWITCH, BLOWER		1						
10	1	172B06-18570	SWITCH, THERMO		1						
11	1	172B06-18580	KNOB		2						
12	1	172B03-19100	CONDITIONER, AIR		1						1
13	1	172B03-19110	PLATE, FLANGE		1						
14	1	172B04-19650	PIPE, HVAC IN		1						
15	2	172B06-18700	O-RING		1						
16	1	172B04-19660	PIPE, HVAC OUT		1						
17	2	172B06-18690	O-RING		1						
18	1	172B04-19840	HOSE, DRAIN AC		1						
19	1	172B03-19160	SWITCH ASSY		1						
20	1	172B04-19890	HOSE, HEATER IN		1						
21	1	172B03-19920	HOSE, HEATER ELBOW		1						
22	1	22877-500120	SCREW, 5X12		2						
23	1	23001-022000	CLAMP, HOSE 22		1						
24	1	23001-022000	CLAMP, HOSE 22		2						
25	1	23080-018000	CLAMP, 18		1						
26	1	23080-018000	CLAMP, 18		1						
27	1	26014-080202	BOLT, M8X 20		2						
28	1	26014-080202	BOLT, M8X 20		4						
29	1	26106-060202	BOLT, M6X 20 PLATED		1						

Remarks

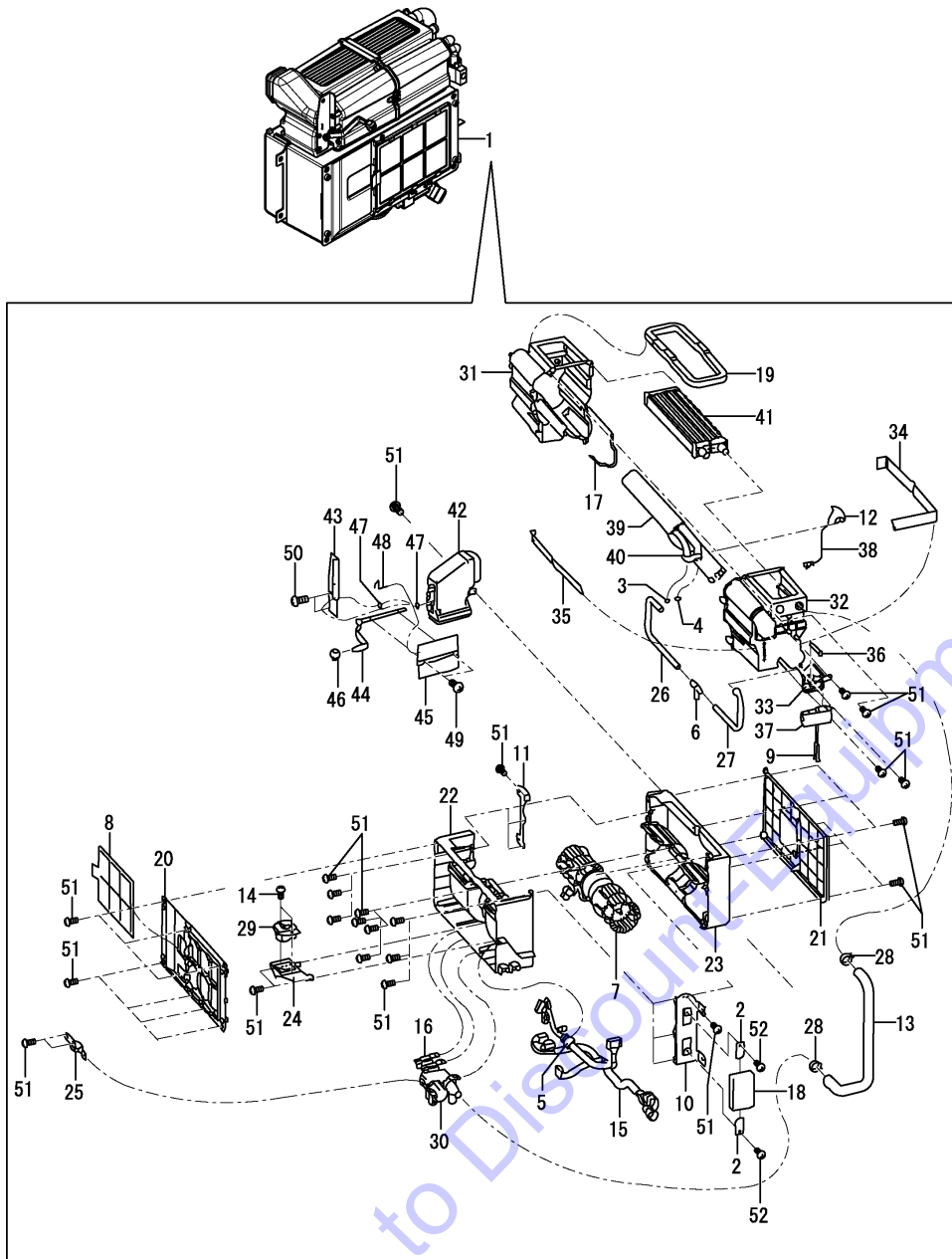
(1) Inner parts are shown in Fig.40.

N:Old $\begin{matrix} \leftarrow \text{Yes} \\ \text{No} \end{matrix}$ New, Q:Old $\begin{matrix} \leftarrow \text{No} \\ \text{Yes} \end{matrix}$ New, R:Old $\begin{matrix} \leftarrow \text{Yes} \\ \text{Yes} \end{matrix}$ New, S:Old $\begin{matrix} \leftarrow \text{No} \\ \text{No} \end{matrix}$ New, W:Add, Z:Discontinued, F:Interchangeable by set, K:Q'ty Change

Fig.40. AIR CONDITIONER(UNIT)(INNER PARTS)

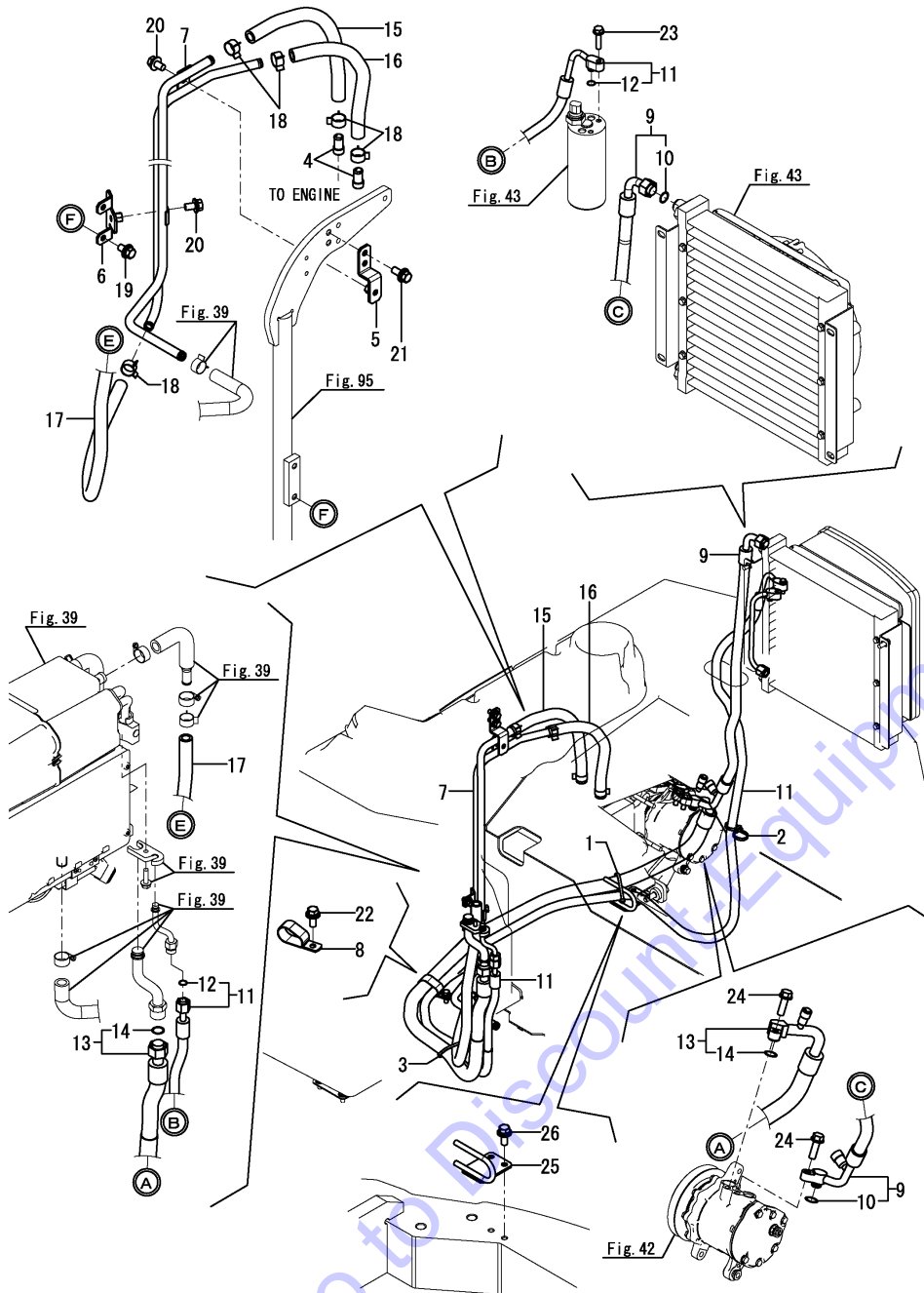
(A)=VIO45-6A P(US)
 (B)=VIO45-6A C(US)
 (C)=

(D)=
 (E)=
 (F)=



No.	Lev.	Parts No.	Description	Q'ty						I	R
				(A)	(B)	(C)	(D)	(E)	(F)		
1	1	172B03-19100	CONDITIONER, AIR		1						
2	2	172B06-18550	BRACKET,AMP		2						
3	2	172B06-18680	O-RING		1						
4	2	172B06-18690	O-RING		1						
5	2	172B06-18930	INSULATOR,HARNES		1						
6	2	172B06-18960	ELBOW,DRAIN		1						
7	2	172B06-18970	MOTOR ASSY,BLOWER		1						
8	2	172B03-19120	FILTER, REC		1						
9	2	172B06-19120	BOLT, SOCKET M5X40		2						
10	2	172B03-19130	BRACKET, 1		1						
11	2	172B03-19140	BRACKET, 2		1						
12	2	172B06-19140	HOLDER,THERMISTOR		1						
13	2	172B03-19150	HOSE, HEATER		1						
14	2	172B06-19150	SCREW, PAN HEAD		2						
15	2	172B03-19190	HARNES ASSY, HVAC		1						
16	2	172B03-19200	RELAY		2						
17	2	172B06-19200	SEAL,CASE		1						
18	2	172B03-19210	CONTROLLER, HVAC		1						
19	2	172B03-19220	SEAL, OUTLET		1						
20	2	172B03-19230	COVER, FRONT		1						
21	2	172B03-19240	COVER, BACK		1						
22	2	172B03-19250	CASE ASSY, LOW FRONT		1						
23	2	172B03-19260	CASE ASSY, LOW BACK		1						
24	2	172B03-19270	MOUNT, RESISTOR		1						
25	2	172B03-19280	RETAINER, VALVE		1						
26	2	172B03-19290	HOSE, DRAIN 1		1						
27	2	172B03-19300	HOSE, DRAIN 2		1						
28	2	172B03-19310	CLAMP, HOSE		2						
29	2	172B03-19320	RESISTOR		1						
30	2	172B03-19330	VALVE ASSY, WATER		1						
31	2	172B03-19340	CASE ASSY, UP FEMALE		1						
32	2	172B03-19350	CASE ASSY, UP MALE		1						
33	2	172B03-19360	COVER ASSY, PAF		1						
34	2	172B03-19370	SEAL, AC-UNIT 1		1						
35	2	172B03-19380	SEAL, AC-UNIT 2		1						
36	2	172B03-19390	RETAINER, TXV		1						
37	2	172B03-19400	VALVE, EXPANSION		1						
38	2	172B03-19410	SENSOR, TEMPERATURE		1						
39	2	172B03-19420	EVAPORATOR ASSY		1						
40	2	172B03-19430	STAY		1						
41	2	172B03-19440	HEATER ASSY		1						
42	2	172B03-19450	DUCT ASSY		1						
43	2	172B03-19460	BRACKET, DUCT		1						
44	2	172B03-19470	LEVER ASSY, DOOR		1						
45	2	172B03-19480	DOOR ASSY		1						
46	2	172B03-19490	KNOB		1						
47	2	172B03-19500	SPACER, C		2						
48	2	172B03-19510	SPRING		1						
49	2	172B03-19520	SCREW, 3X6		2						
50	2	172B03-19530	SCREW, 4X10		2						
51	2	172B03-19540	SCREW, 4X16		36						

Fig.41. AIR CONDITIONER(PIPING)



(A)=VIO45-6A P(US)
 (B)=VIO45-6A C(US)
 (C)=

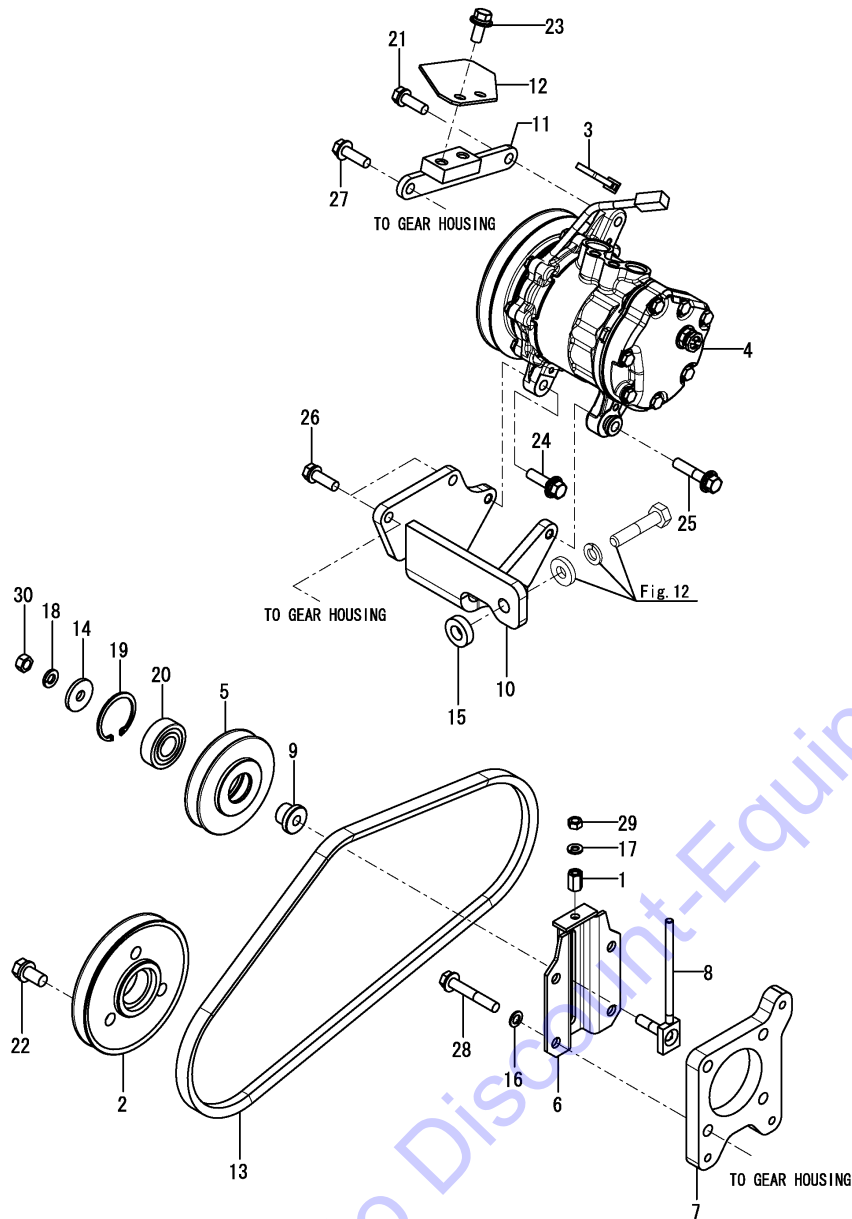
(D)=
 (E)=
 (F)=

No.	Lev.	Parts No.	Description	Q'ty						I	R
				(A)	(B)	(C)	(D)	(E)	(F)		
1	1	172126-11510	BAND		1						
2	1	172137-16560	BAND		1						
3	1	172183-16560	CLIP, HOSE		1						
4	1	172124-17640	JOINT, PIPE		2						
5	1	172B04-18600	STAY ASSY, H-PIPE A		1						
6	1	172B04-18640	STAY ASSY, H-PIPE B		1						
7	1	172B04-19710	PIPE ASSY, HEATER		1						
8	1	172B03-19750	CLAMP, HOSE		1						
9	1	172B04-19760	HOSE ASSY, COMP-COND		1						
10	2	172B06-18680	O-RING		2						
11	1	172B04-19800	HOSE ASSY, R/D-UNIT		1						
12	2	172B06-18700	O-RING		2						
13	1	172B04-19820	HOSE ASSY, UNIT-COMP		1						
14	2	172B06-18690	O-RING		2						
15	1	172B04-19860	HOSE, HEATER 340		1						
16	1	172B04-19860	HOSE, HEATER 340		1						
17	1	172B03-19950	HOSE, HEATER 640		1						
18	1	23080-018000	CLAMP, 18		5						
19	1	26014-080162	BOLT, M8X 16		2						
20	1	26014-080162	BOLT, M8X 16		2						
21	1	26014-080202	BOLT, M8X 20		2						
22	1	26014-080202	BOLT, M8X 20		1						
23	1	26106-060252	BOLT, M6X 25 PLATED		1						
24	1	26106-080252	BOLT, M8X 25 PLATED		2						
25	1	172B04-18400	GUIDE ASSY, HOSE		1						
26	1	26014-080202	BOLT, M8X 20		2						

Fig.42. AIR CONDITIONER(ENGINE RELATED)

(A)=VIO45-6A P(US)
 (B)=VIO45-6A C(US)
 (C)=

(D)=
 (E)=
 (F)=

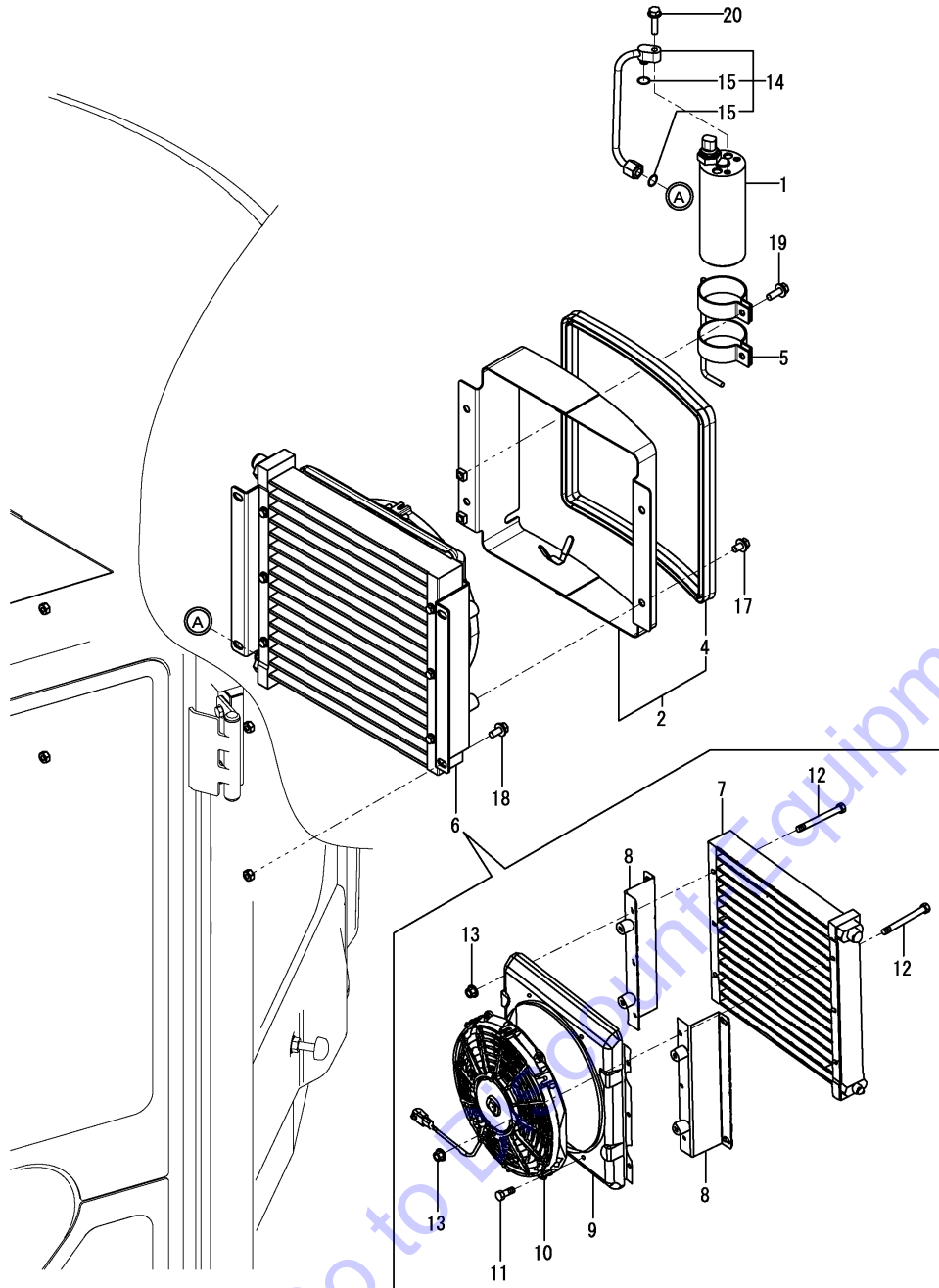


No.	Lev.	Parts No.	Description	Q'ty						I	R
				(A)	(B)	(C)	(D)	(E)	(F)		
1	1	1A7550-08811	NUT, M6X15		1						
2	1	172A47-11200	PULLEY		1						
3	1	172137-16560	BAND		1						
4	1	172B03-18100	COMPRESSOR ASSY		1						
5	1	172445-18131	PULLEY, TENSION		1						
6	1	172B05-18400	BRACKET ASSY, PULLY		1						
7	1	172B05-18450	PLATE, PULLY		1						
8	1	172165-18630	ADJUSTER ASSY		1						
9	1	172165-18670	BOSS		1						
10	1	172B05-18810	BRACKET ASSY, COMP-A		1						
11	1	172B05-18880	BRACKET ASSY, COMP-B		1						
12	1	172B04-18900	COVER, COMPRESSOR		1						
13	1	172445-18960	V-BELT		1						
14	1	1A1040-43900	WASHER, SPRING		1						
15	1	172156-61320	COLLAR		1						
16	1	22190-080002	WASHER, SEAL 8		4						
17	1	22217-060000	WASHER, SPRING 6		1						
18	1	22217-080000	WASHER, SPRING 8		1						
19	1	22252-000400	RING, 40		1						
20	1	24104-062030	BEARING, 6203UUC3		1						
21	1	26013-080252	BOLT, M8X 25		1						
22	1	26013-100202	BOLT, M10X 20		3						
23	1	26014-080202	BOLT, M8X 20		2						
24	1	26014-080302	BOLT, M8X 30		1						
25	1	26014-080402	BOLT, M8X 40		1						
26	1	26106-080252	BOLT, M8X 25 PLATED		2						
27	1	26106-080252	BOLT, M8X 25 PLATED		1						
28	1	26106-080352	BOLT, M8X 35 PLATED		4						
29	1	26716-060002	NUT, M6		1						
30	1	26716-080002	NUT, M8		1						

Fig.43. AIR CONDITIONER(CONDENSER RELATED)

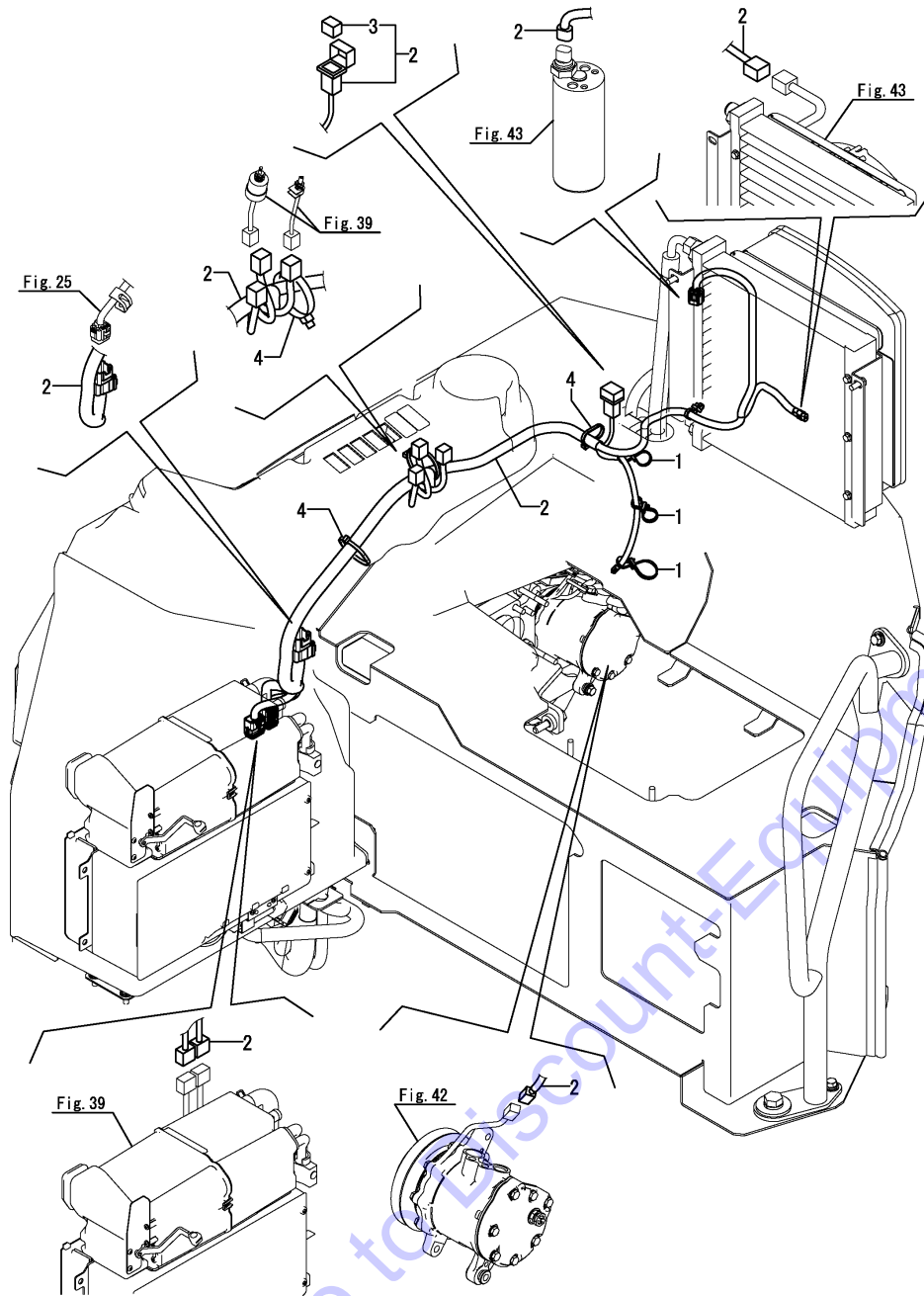
(A)=VIO45-6A P(US)
 (B)=VIO45-6A C(US)
 (C)=

(D)=
 (E)=
 (F)=



No.	Lev.	Parts No.	Description	Q'ty						I	R
				(A)	(B)	(C)	(D)	(E)	(F)		
1	1	172B06-18450	DRIER, RECEIVER		1						
2	1	172B03-18940	DUCT ASSY		1						
4	2	172A64-65160	SEAL, 1170		1						
5	1	172B03-18950	BRACKET ASSY, R/D		1						
6	1	172B03-19680	CONDENSER ASSY		1						
7	2	172B06-19260	CONDENSER		1						
8	2	172B03-19650	BRACKET ASSY, COND		2						
9	2	172B03-19660	COVER ASSY, COND FAN		1						
10	2	172B03-19670	MOTOR ASSY, FAN		1						
11	2	26106-060162	BOLT, M6X 16 PLATED		4						
12	2	26106-060602	BOLT, M6X 60 PLATED		6						
13	2	26366-060002	NUT, M6		6						
14	1	172B03-19780	PIPE ASSY		1						
15	2	172B06-18700	O-RING		2						
17	1	26014-080162	BOLT, M8X 16		4						
18	1	26014-080202	BOLT, M8X 20		4						
19	1	26014-080252	BOLT, M8X 25		2						
20	1	26106-060252	BOLT, M6X 25 PLATED		1						

Fig.44. AIR CONDITIONER(ELECTRIC PARTS)



(A)=VIO45-6A P(US)
 (B)=VIO45-6A C(US)
 (C)=

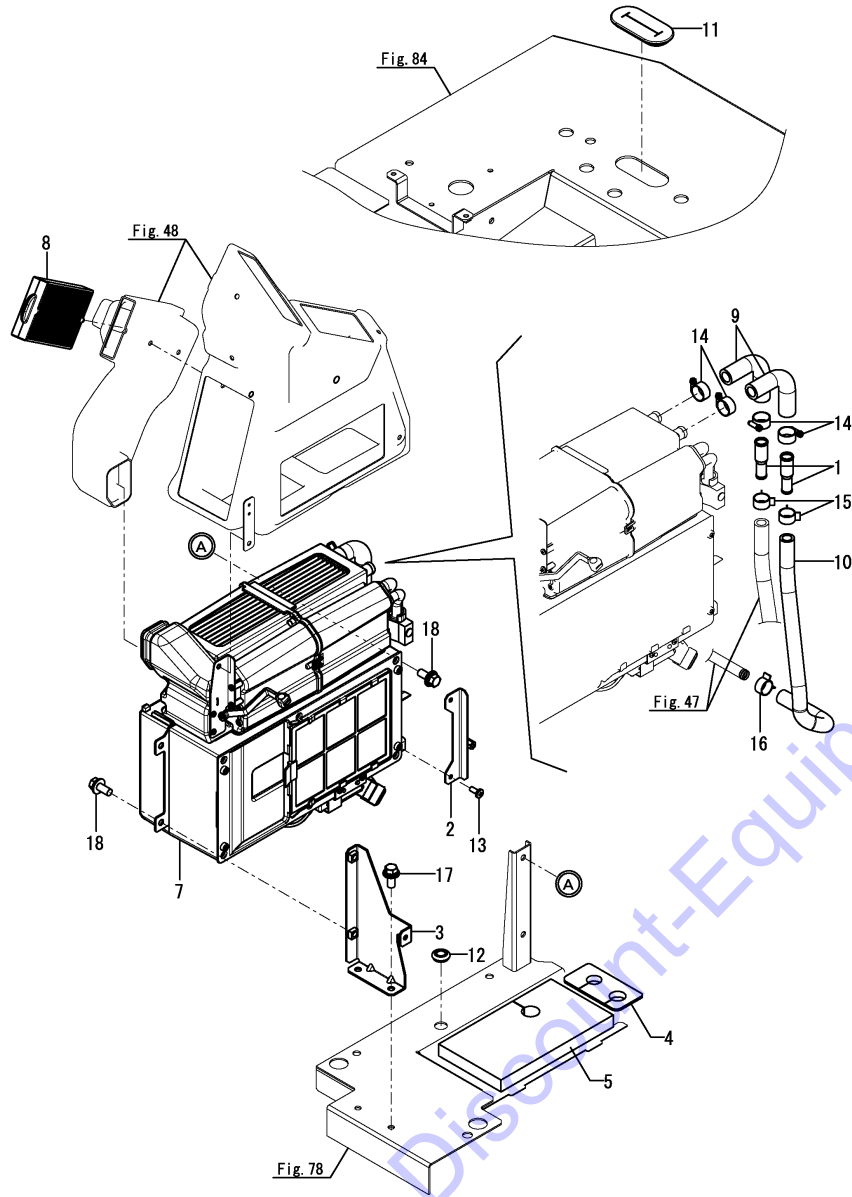
(D)=
 (E)=
 (F)=

No.	Lev.	Parts No.	Description	Q'ty						I	R
				(A)	(B)	(C)	(D)	(E)	(F)		
1	1	172137-16560	BAND		6						
1-1	1	172137-16560	BAND		4						K
				(B=*2013.10)							
2	1	172B04-16850	HARNES ASSY,A/C		1						
3	2	1E8235-84910	DIODE, 090 31		1						
4	1	194202-56460	BAND, 200		7						
4-1	1	194202-56460	BAND, 200		3						K
				(B=*2013.10)							

Fig.45. HEATER(UNIT)

(A)=VIO45-6A P(US)
 (B)=VIO45-6A C(US)
 (C)=

(D)=
 (E)=
 (F)=



No.	Lev.	Parts No.	Description	Q'ty						I	R
				(A)	(B)	(C)	(D)	(E)	(F)		
1	1	172455-17930	JOINT, HOSE		2						
2	1	172B03-18310	STAY ASSY		1						
3	1	172B03-18350	BRACKET ASSY, AC F		1						
4	1	172B04-18560	GROMMET, HOSE-HEATER		1						
5	1	172B04-18580	SPONGE, PARTITION		1						
7	1	172B03-17600	HEATER ASSY		1						
8	1	172B06-18420	FILTER, AIR		1						
9	1	172B03-19920	HOSE, HEATER ELBOW		2						
10	1	172B04-19980	HOSE, HEATER IN		1						
11	1	172B03-63450	GROMMET		1						
12	1	172183-76210	GROMMET		1						
13	1	22877-500120	SCREW, 5X12		2						
14	1	23001-022000	CLAMP, HOSE 22		4						
15	1	23080-018000	CLAMP, 18		2						
16	1	23080-018000	CLAMP, 18		1						
17	1	26014-080202	BOLT, M8X 20		2						
18	1	26014-080202	BOLT, M8X 20		4						

Remarks

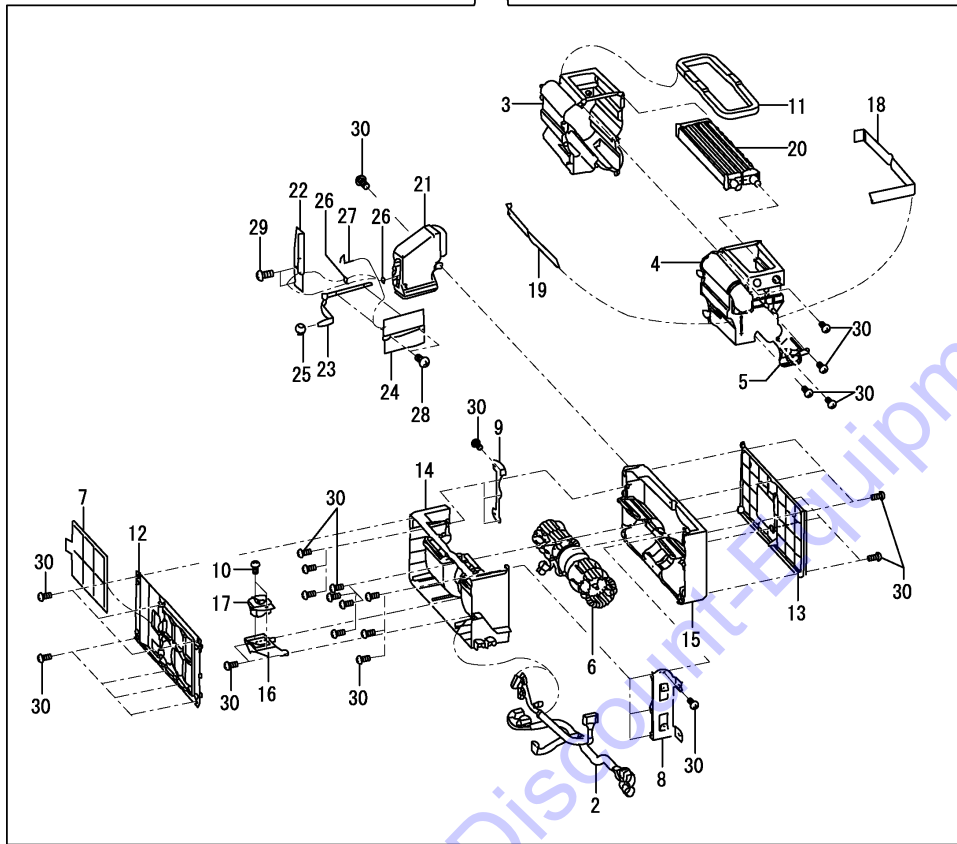
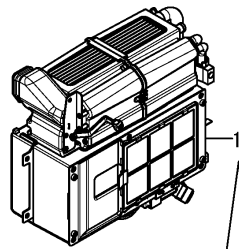
(1) Inner parts are shown in Fig.46.

N:Old $\xrightarrow{\text{Yes}}$ New, Q:Old $\xrightarrow{\text{No}}$ New, R:Old $\xrightarrow{\text{Yes}}$ New, S:Old $\xrightarrow{\text{No}}$ New, W:Add, Z:Discontinued, F:Interchangeable by set, K:Q'ty Change

Fig.46. HEATER(UNIT)(INNER PARTS)

(A)=VIO45-6A P(US)
 (B)=VIO45-6A C(US)
 (C)=

(D)=
 (E)=
 (F)=

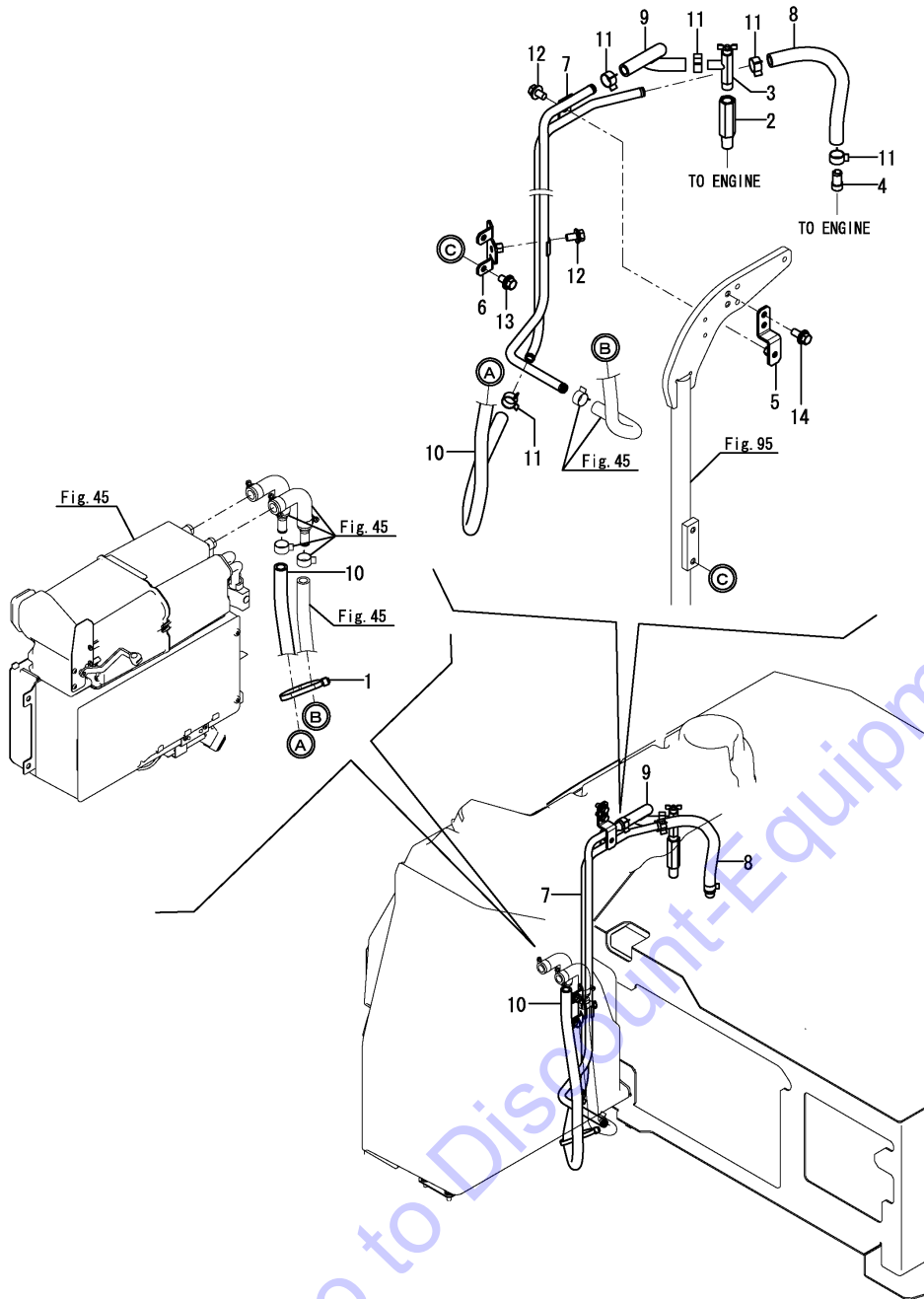


No.	Lev.	Parts No.	Description	Q'ty						I	R
				(A)	(B)	(C)	(D)	(E)	(F)		
1	1	172B03-17600	HEATER ASSY		1						
2	2	172B03-17610	HARNES ASSY, HEATER		1						
3	2	172B03-17620	CASE, UPPER FEMALE		1						
4	2	172B03-17630	CASE, UPPER MALE		1						
5	2	172B03-17640	COVER, HEATER		1						
6	2	172B06-18970	MOTOR ASSY,BLOWER		1						
7	2	172B03-19120	FILTER, REC		1						
8	2	172B03-19130	BRACKET, 1		1						
9	2	172B03-19140	BRACKET, 2		1						
10	2	172B06-19150	SCREW, PAN HEAD		2						
11	2	172B03-19220	SEAL, OUTLET		1						
12	2	172B03-19230	COVER, FRONT		1						
13	2	172B03-19240	COVER, BACK		1						
14	2	172B03-19250	CASE ASSY, LOW FRONT		1						
15	2	172B03-19260	CASE ASSY, LOW BACK		1						
16	2	172B03-19270	MOUNT, RESISTOR		1						
17	2	172B03-19320	RESISTOR		1						
18	2	172B03-19370	SEAL, AC-UNIT 1		1						
19	2	172B03-19380	SEAL, AC-UNIT 2		1						
20	2	172B03-19440	HEATER ASSY		1						
21	2	172B03-19450	DUCT ASSY		1						
22	2	172B03-19460	BRACKET, DUCT		1						
23	2	172B03-19470	LEVER ASSY, DOOR		1						
24	2	172B03-19480	DOOR ASSY		1						
25	2	172B03-19490	KNOB		1						
26	2	172B03-19500	SPACER, C		2						
27	2	172B03-19510	SPRING		1						
28	2	172B03-19520	SCREW, 3X6		2						
29	2	172B03-19530	SCREW, 4X10		2						
30	2	172B03-19540	SCREW, 4X16		34						

Fig.47. HEATER(PIPING)

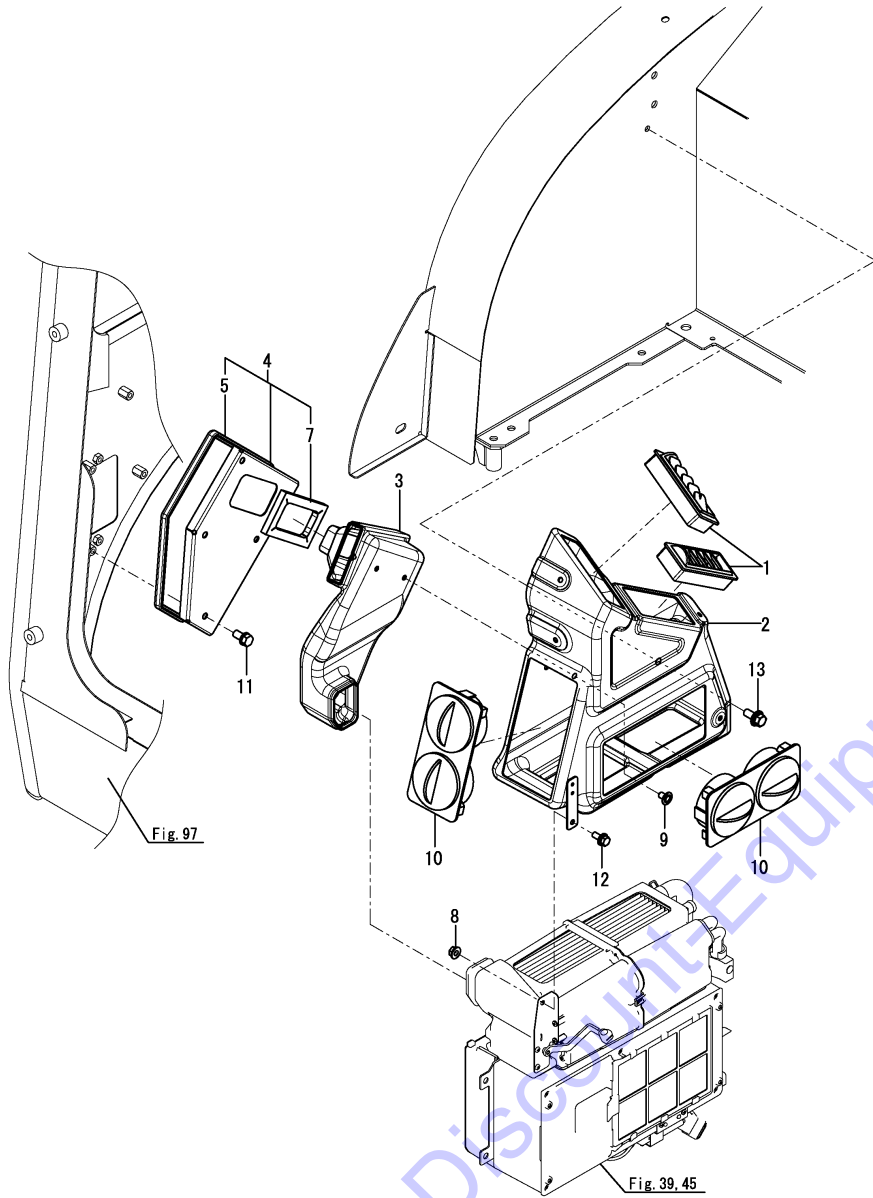
(A)=VIO45-6A P(US)
 (B)=VIO45-6A C(US)
 (C)=

(D)=
 (E)=
 (F)=



No.	Lev.	Parts No.	Description	Q'ty						I	R
				(A)	(B)	(C)	(D)	(E)	(F)		
1	1	172126-11510	BAND		1						
2	1	172B04-17620	CONNECTOR, HEATER 90		1						
3	1	172425-17630	VALVE ASSY, HEATER		1						
4	1	172124-17640	JOINT, PIPE		1						
5	1	172B04-18600	STAY ASSY, H-PIPE A		1						
6	1	172B04-18640	STAY ASSY, H-PIPE B		1						
7	1	172B04-19710	PIPE ASSY, HEATER		1						
8	1	172B04-19860	HOSE, HEATER 340		1						
9	1	172B04-19870	HOSE, HEATER ENG-T4		1						
10	1	172B03-19950	HOSE, HEATER 640		1						
11	1	23080-018000	CLAMP, 18		5						
12	1	26014-080162	BOLT, M8X 16		2						
13	1	26014-080162	BOLT, M8X 16		2						
14	1	26014-080202	BOLT, M8X 20		2						

Fig.48. DUCT(AIR CONDITIONER & HEATER)



(A)=VIO45-6A P(US)
 (B)=VIO45-6A C(US)
 (C)=

(D)=
 (E)=
 (F)=

No.	Lev.	Parts No.	Description	Q'ty						I	R
				(A)	(B)	(C)	(D)	(E)	(F)		
1	1	172458-17700	GRILLE		2						
2	1	172B03-18700	DUCT ASSY		1						
3	1	172B03-18740	DUCT		1						
4	1	172B03-18760	DUCT ASSY, INTAKE		1						
5	2	172A65-13290	TRIM		1						
7	2	172B03-18780	SEAL, DUCT		1						
8	1	194990-22130	NUT, M6		1						
9	1	1A8110-84210	RIVET		2						1
9-1	1	1A8060-84280	RIVET, PUSH		2						S 2
(B=MAF001)											
10	1	1A7030-87411	GRILLE ASSY, FRONT		2						
11	1	26013-080162	BOLT, M8X 16		4						
12	1	26014-060162	BOLT, M6X 16		1						
13	1	26014-080202	BOLT, M8X 20		1						

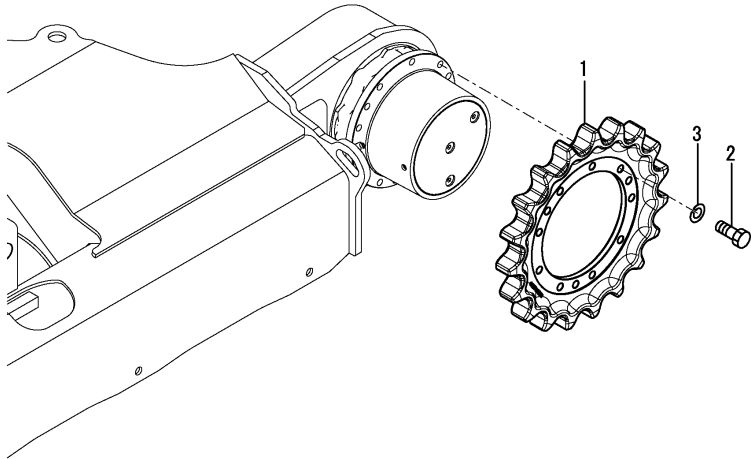
Remarks
 (1)Color = LIGHT GRAY.
 (2)Color = BLACK.

Fig.49. SPROCKET

(A)=VIO45-6A P(US)
 (B)=VIO45-6A C(US)
 (C)=

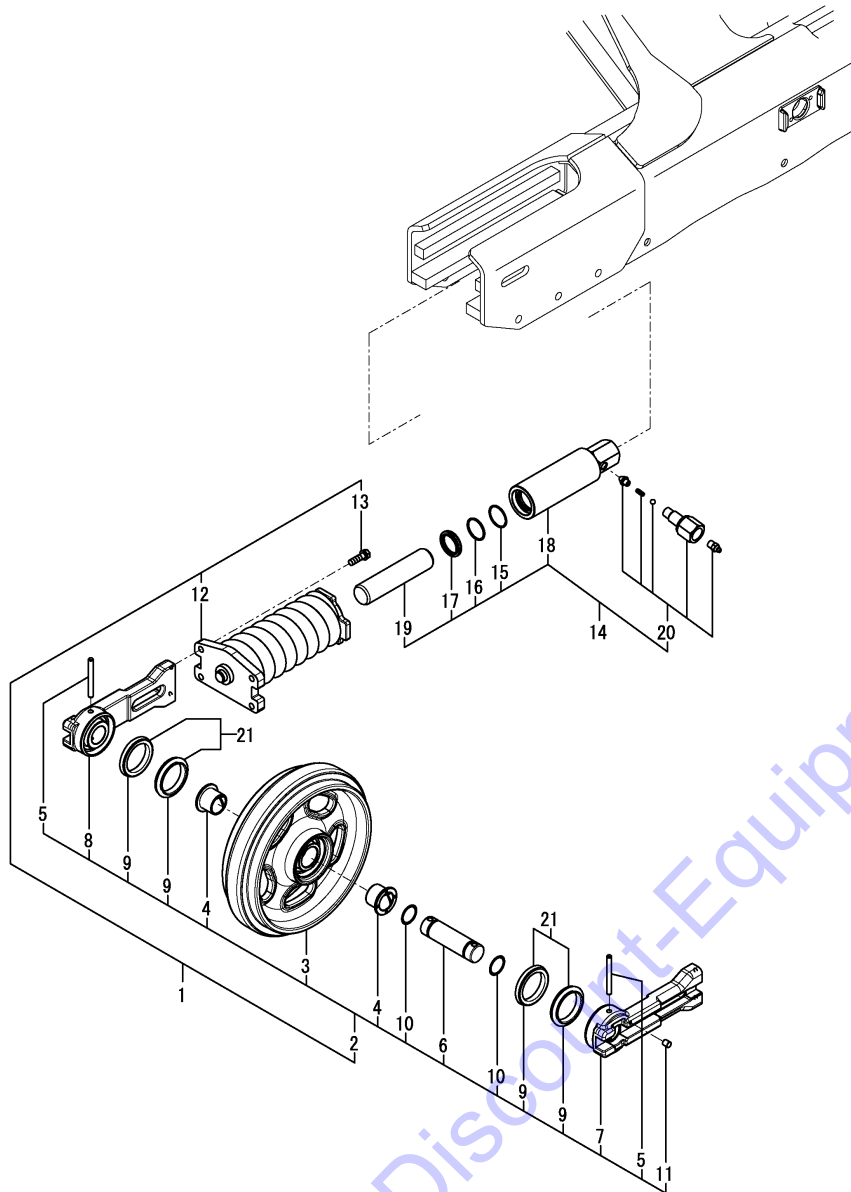
(D)=
 (E)=
 (F)=

No.	Lev.	Parts No.	Description	Q'ty						I	R
				(A)	(B)	(C)	(D)	(E)	(F)		
1	1	172B04-29100	SPROCKET, 19	2	2						
2	1	172455-29140	BOLT	24	24						
3	1	22217-140000	WASHER, SPRING 14	24	24						



Go to Discount-Equipment.com to order your parts

Fig.50. IDLER & ADJUST



(A)=VIO45-6A P(US)
 (B)=VIO45-6A C(US)
 (C)=

(D)=
 (E)=
 (F)=

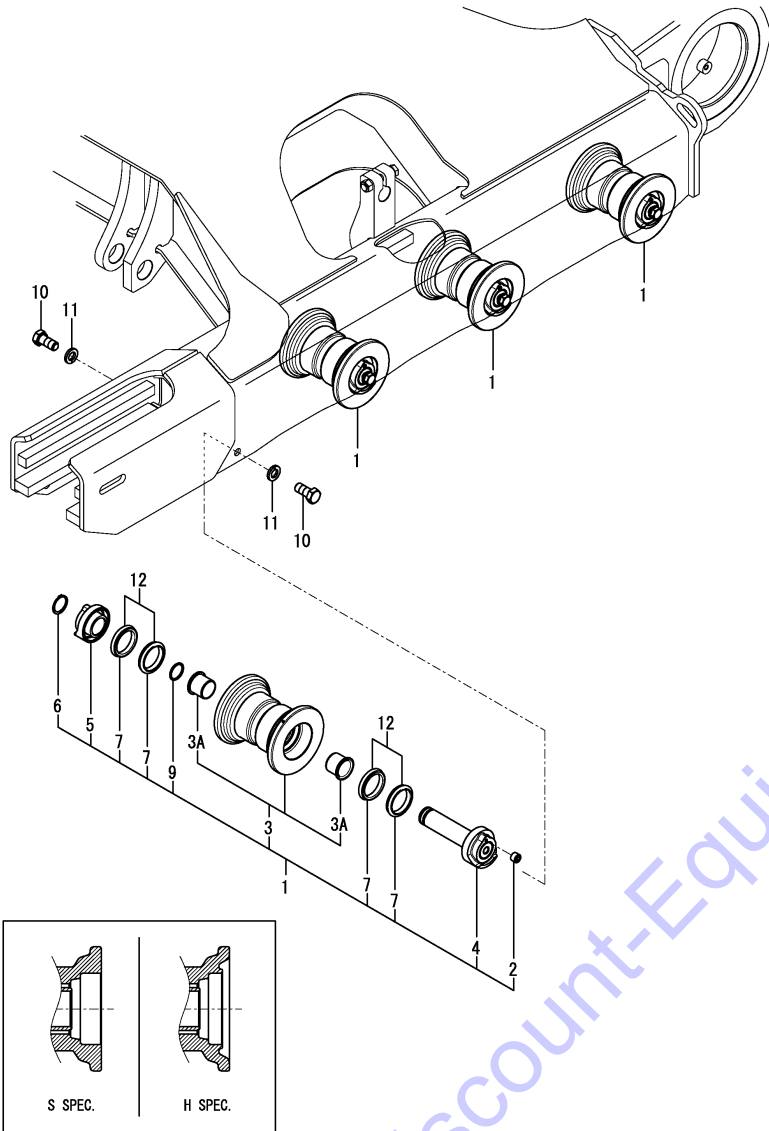
No.	Lev.	Parts No.	Description	Q'ty						I	R
				(A)	(B)	(C)	(D)	(E)	(F)		
1	1	172B04-37090	IDLER ASSY	2	2						
2	2	172B06-37100	IDLER ASSY,340	2	2						
3	3	172B06-37110	IDLER,340	2	2						
4	3	172B06-37120	BUSH,IDLER	4	4						
5	3	172B06-37130	PIN,10X95	4	4						
6	3	172B06-37140	SHAFT,IDLER	2	2						
7	3	172B06-37150	SEAL,COVER IDLER A	2	2						
8	3	172B06-37160	SEAL,COVERIDLER B	2	2						
9	3	172B06-37170	SEAL, FLOATING	8	8						
10	3	172B06-37180	O-RING	4	4						
11	3	172B06-37190	PLUG	2	2						
12	2	172B06-37700	SPRING ASSY, CRAWL	2	2						
13	2	26013-120402	BOLT, M12X 40	8	8						
14	1	172B06-37901	CYLINDER ASSY, ADJUS	2	2						
15	2	172B06-37870	O-RING	2	2						
16	2	172B06-37880	RING, BACK UP	2	2						
17	2	172B06-37890	SEAL, DUST	2	2						
18	2	172B06-37911	TUBE ASSY,ADJUST	2	2						
19	2	172B06-37940	PISTON	2	2						
20	2	172B06-37951	NIPPLE,VALVE	2	2						
21	1	172B04-37200	SEAL KIT, IDLER	4	4						1

Remarks
 (1)Repair kit.

Fig.51. TRACK ROLLER(S SPEC.)(TO MAF204)

(A)=VIO45-6A P(US)
 (B)=VIO45-6A C(US)
 (C)=

(D)=
 (E)=
 (F)=



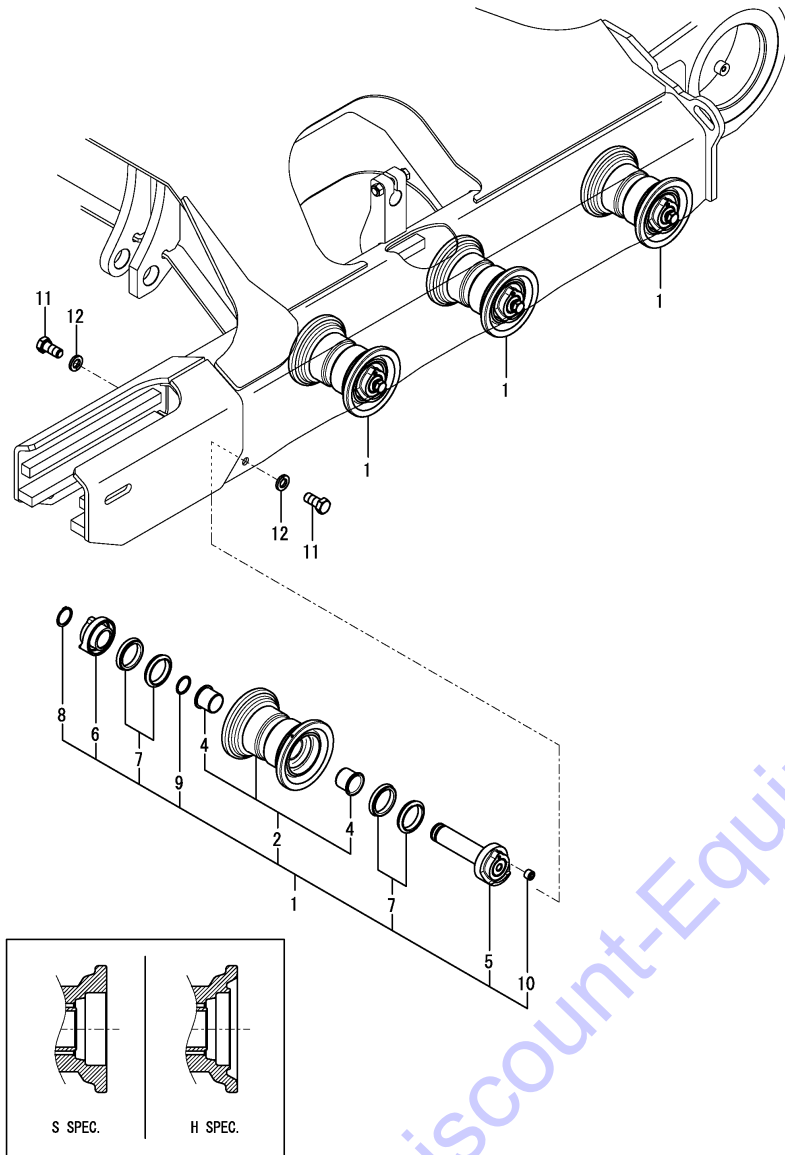
No.	Lev.	Parts No.	Description	Q'ty						I	R	
				(A)	(B)	(C)	(D)	(E)	(F)			
1	1	172B04-37300 (A=MAF205) (B=MAF205)	ROLLER ASSY, TRACK	8	8						Z	2
2	2	172B06-37190	PLUG	8	8							
3	2	172B04-37320	ROLLER ASSY, LOWER	8	8							
3A	3	172B06-37390 (A=*2019.11) (B=*2019.11)	BUSH, TRUCK ROLLER	16	16							W
4	2	172B06-37320	SHAFT ASSY	8	8							
5	2	172B06-37350	COVER, SEAL B	8	8							
6	2	172B06-37360	RING, SNAP	8	8							
7	2	172B06-37370	SEAL, FLOATING	32	32							
9	2	172B06-37400	O-RING	8	8							
10	1	172490-37320	BOLT	16	16							
11	1	22217-160000	WASHER, SPRING 16	16	16							
12	1	172B04-37220	SEAL KIT, TRACK	16	16							1

Remarks
 (1)Repair kit.
 (2)S specification.
 Interchangeable by Fig.212(51A) No.1.
 The inner parts are not compatible.

Fig.212. (51A)TRACK ROLLER(H SPEC.)(FROM MAF205)

(A)=VIO45-6A P(US)
 (B)=VIO45-6A C(US)
 (C)=

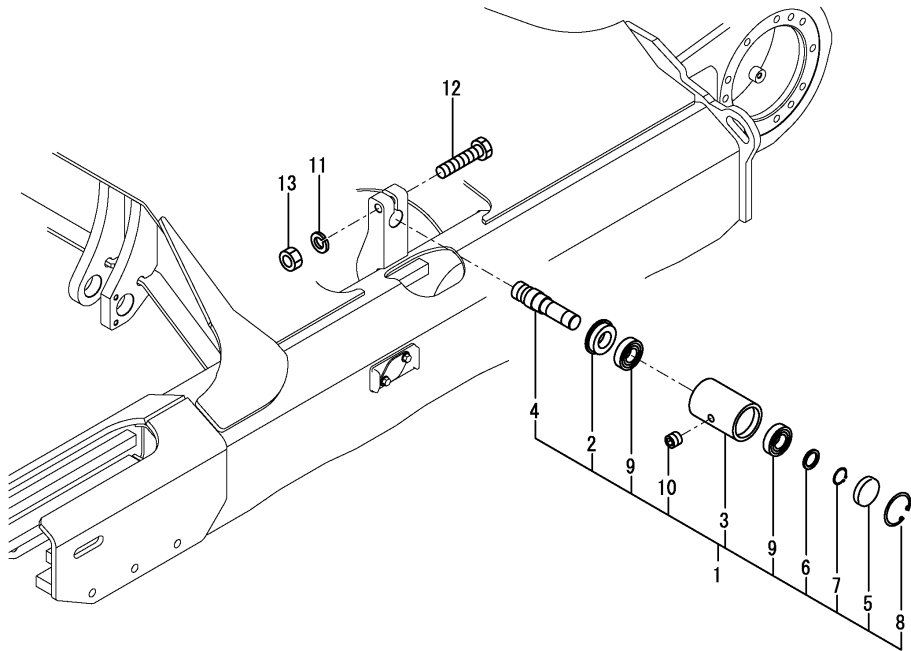
(D)=
 (E)=
 (F)=



No.	Lev.	Parts No.	Description	Q'ty						I	R	
				(A)	(B)	(C)	(D)	(E)	(F)			
1	1	172B34-37300 (A=MAF205) (B=MAF205)	ROLLER ASSY,LOWER	8	8						W	1
2	2	172B34-37310	ROLLER ASSY, LOWER	8	8							
4	3	172B34-37330	BUSH	16	16							
5	2	172B34-37340	SHAFT ASSY	8	8							
6	2	172B34-37370	COVER, SEAL R	8	8							
7	2	172A81-37380	SEAL, FLOATING	16	16							
8	2	172B34-37400	RING, C38	8	8							
9	2	24321-000350	O-RING, 1AG35.0	8	8							
10	2	933171-13691	PLUG, PT1/8	8	8							
11	1	172490-37320	BOLT, M16X35	16	16							
12	1	22217-160000	WASHER, SPRING 16	16	16							

Remarks
 (1)H specification.
 Interchangeable by replacement with Assembly from S specification to H specification.
 The inner parts are not compatible.

Fig.52. CARRIER ROLLER



(A)=VIO45-6A P(US)
 (B)=VIO45-6A C(US)
 (C)=

(D)=
 (E)=
 (F)=

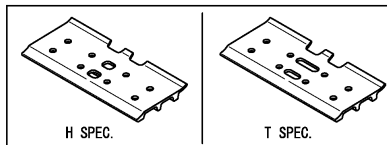
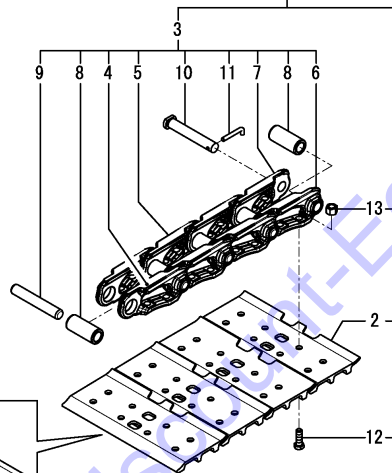
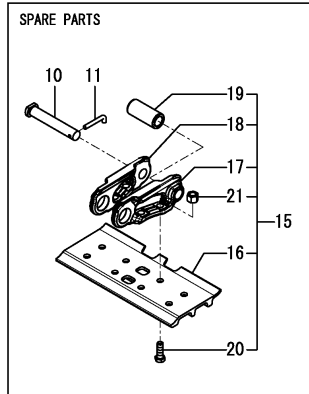
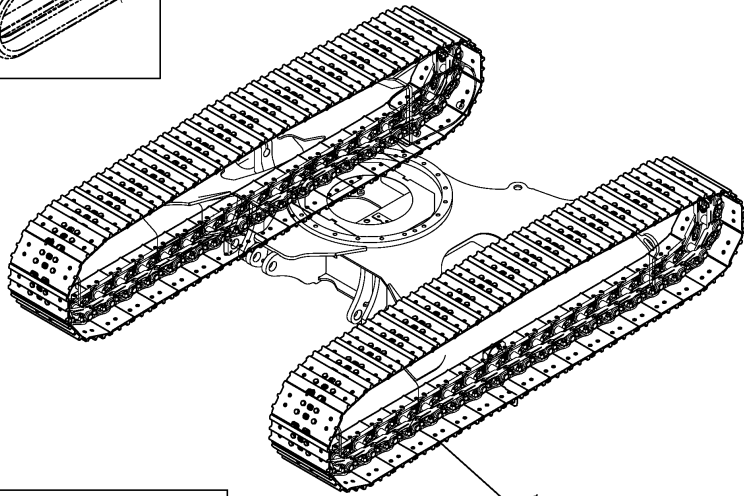
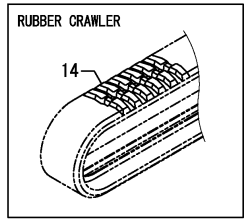
No.	Lev.	Parts No.	Description	Q'ty						I	R
				(A)	(B)	(C)	(D)	(E)	(F)		
1	1	172478-37501	ROLLER ASSY, CARRIER	2	2						
2	2	172164-37351	SEAL, OIL	2	2						
3	2	172478-37511	ROLLER, CARRIER	2	2						
4	2	172478-37521	SHAFT,CARRIER ROLLER	2	2						
5	2	172478-37540	CAP, ROLLER	2	2						
6	2	172478-37550	WASHER, CARRIER	2	2						
7	2	22242-000300	RING, 30	2	2						
8	2	22252-000621	RING, 62	2	2						
9	2	24105-062064	BEARING, BALL 6206Z	4	4						
10	2	933171-13691	PLUG	2	2						
11	1	22217-160000	WASHER, SPRING 16	2	2						
12	1	26116-160852	BOLT, M16X 85 PLATED	2	2						
13	1	26716-160002	NUT, M16	2	2						

Go to Discount-Equipment.com to buy auto parts

Fig.53. CRAWLER

(A)=VIO45-6A P(US)
 (B)=VIO45-6A C(US)
 (C)=

(D)=
 (E)=
 (F)=



No.	Lev.	Parts No.	Description	Q'ty						I	R	
				(A)	(B)	(C)	(D)	(E)	(F)			
1	1	172B04-38100 (A=M60639) (B=M60639)	SHOE ASSY, TRACK 350	2	2						Z	2
2	2	172B04-38110	SHOE, TRACK 350	80	80							
3	2	172B04-38120	LINK ASSY, TRACK 350	2	2							
4	3	172B04-38130	LINK, TRACK L	78	78							
5	3	172B04-38140	LINK, TRACK R	78	78							
6	3	172B04-38150	LINK, MASTER L	2	2							
7	3	172B04-38160	LINK, MASTER R	2	2							
8	3	172B04-38170	BUSH, TRACK	80	80							
9	3	172B04-38180	PIN, TRACK	78	78							
10	3	172B04-38190	PIN, MASTER	2	2							
11	3	172B04-38200	PIN, CLAMPING	2	2							
12	2	172B04-38210	BOLT, SHOE	320	320							
13	2	172460-38560	NUT, SHOE	320	320							
14	1	172B04-38600	CRAWLER, RUBBER 350	2	2							
15	1	172B04-38300	TRACK, MASTER 350	1	1							1
16	2	172B04-38110	SHOE, TRACK 350	1	1							
17	2	172B04-38150	LINK, MASTER L	1	1							
18	2	172B04-38160	LINK, MASTER R	1	1							
19	2	172B04-38170	BUSH, TRACK	1	1							
20	2	172B04-38210	BOLT, SHOE	4	4							
21	2	172460-38560	NUT, SHOE	4	4							

Remarks

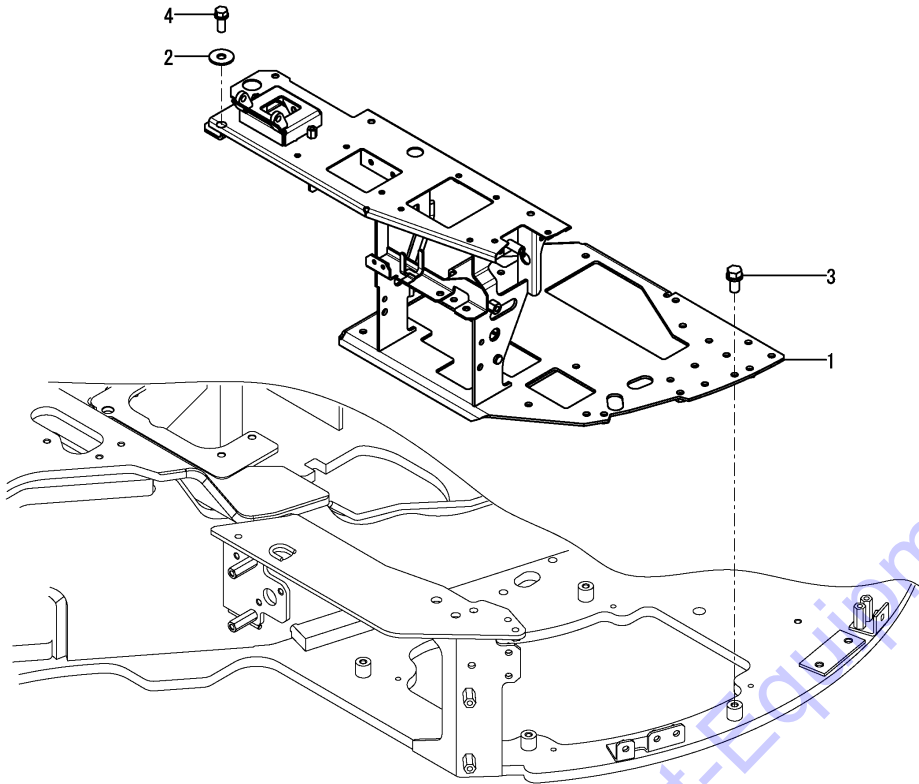
- (1) Spare parts.
- (2) H specification. : Interchangeable by Fig.171(53A) No.1(T specification).
 The inner parts are not compatible.

Fig.54. VALVE MOUNT

(A)=VIO45-6A P(US)
 (B)=VIO45-6A C(US)
 (C)=

(D)=
 (E)=
 (F)=

No.	Lev.	Parts No.	Description	Q'ty						I	R
				(A)	(B)	(C)	(D)	(E)	(F)		
1	1	172B03-45601	MOUNT ASSY, LINK	1	1						
2	1	22157-100000	WASHER, 10	2	2						
3	1	26013-100202	BOLT, M10X 20	4	4						
4	1	26013-100252	BOLT, M10X 25	2	2						



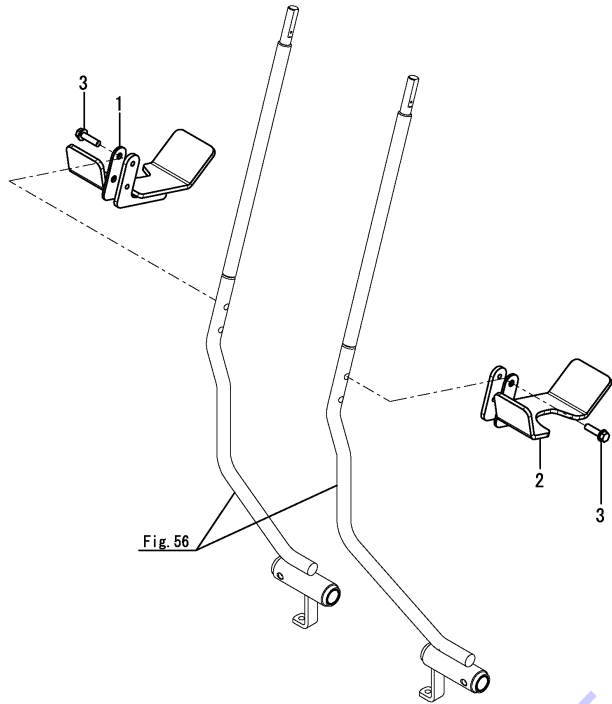
Go to Discount-Equipment.com to order your parts

Fig.55. TRAVEL PEDAL(FIXED TYPE)

(A)=V1O45-6A P(US)
 (B)=V1O45-6A C(US)
 (C)=

(D)=
 (E)=
 (F)=

No.	Lev.	Parts No.	Description	Q'ty						I	R
				(A)	(B)	(C)	(D)	(E)	(F)		
1	1	172B03-44201	PEDAL ASSY, TRACK R	1	1						
2	1	172B03-44231	PEDAL ASSY, TRACK L	1	1						
3	1	26106-080302	BOLT, M8X 30 PLATED	4	4						

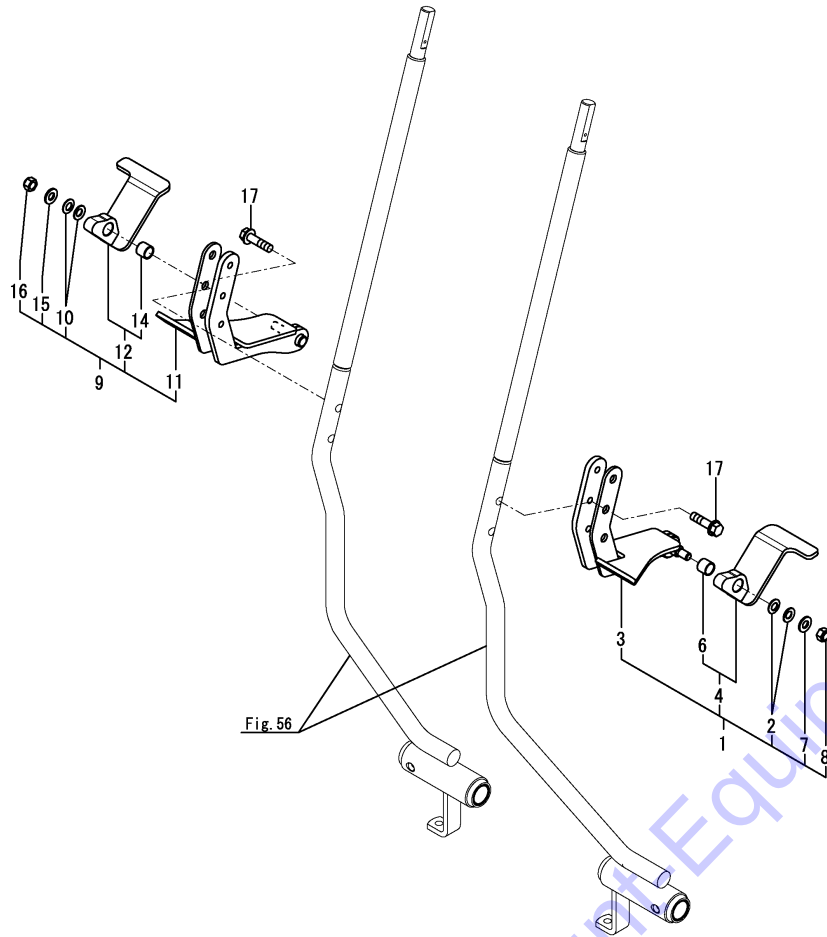


Remarks
 * Folding type travel pedal are shown in Fig.203(55A).

Fig.203. (55A)TRAVEL PEDAL(FOLDING TYPE)

(A)=VIO45-6A P(US)
 (B)=VIO45-6A C(US)
 (C)=

(D)=
 (E)=
 (F)=



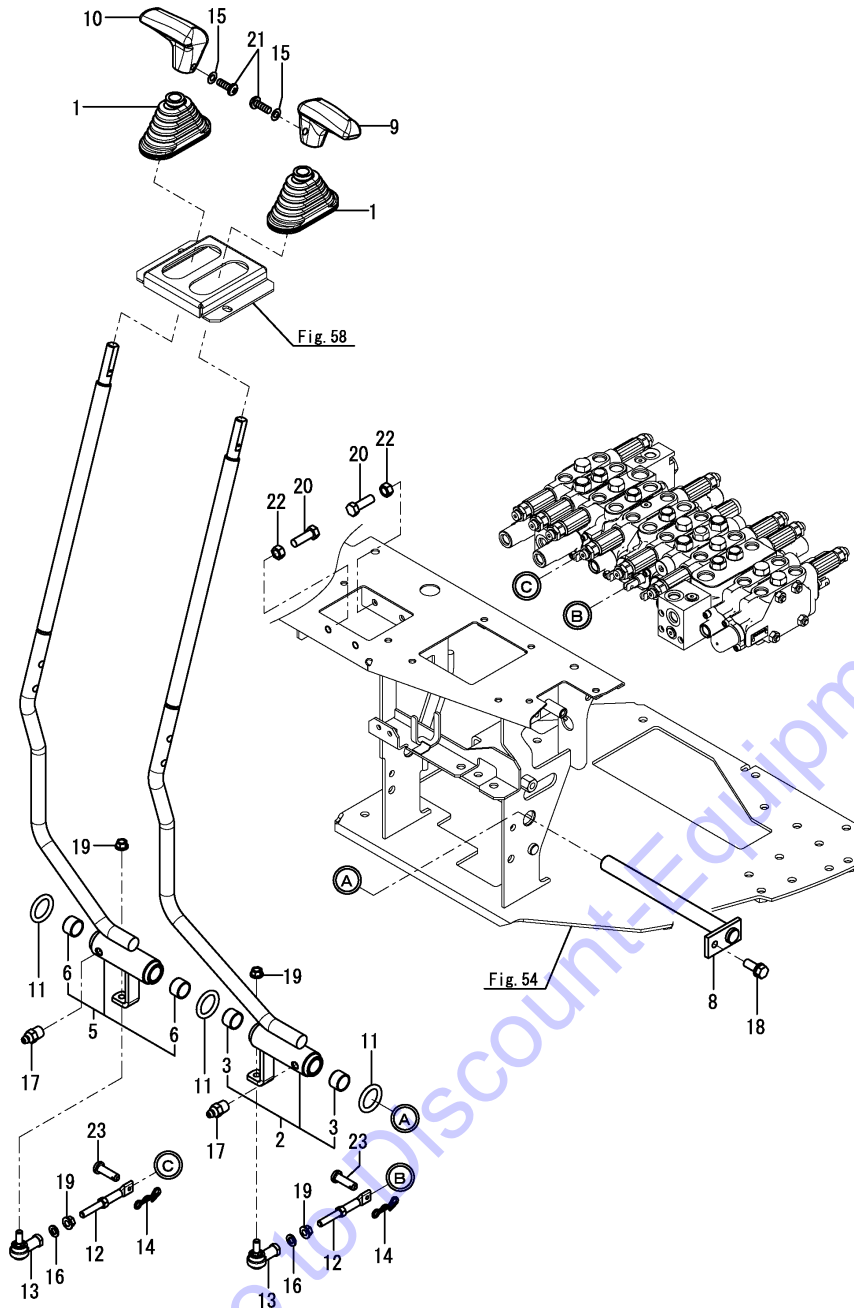
No.	Lev.	Parts No.	Description	Q'ty						I	R
				(A)	(B)	(C)	(D)	(E)	(F)		
1	1	172B03-44600	PEDAL ASSY, TRACK L	1	1						
2	2	172068-28490	SPRING	2	2						
3	2	172B03-44610	PEDAL ASSY, TRACK FL	1	1						
4	2	172B03-44650	PEDAL ASSY, TRACK RL	1	1						
6	3	172110-45050	BUSH	1	1						
7	2	22137-080000	WASHER, 8	1	1						
8	2	26347-080002	NUT, M8	1	1						
9	1	172B03-44700	PEDAL ASSY, TRACK R	1	1						
10	2	172068-28490	SPRING	2	2						
11	2	172B03-44710	PEDAL ASSY, TRACK FR	1	1						
12	2	172B03-44750	PEDAL ASSY, TRACK RR	1	1						
14	3	172110-45050	BUSH	1	1						
15	2	22137-080000	WASHER, 8	1	1						
16	2	26347-080002	NUT, M8	1	1						
17	1	26106-080302	BOLT, M8X 30 PLATED	4	4						

Remarks
 * Fixed type travel pedal are shown in Fig.55.

Fig.56. TRAVEL LEVER

(A)=VIO45-6A P(US)
 (B)=VIO45-6A C(US)
 (C)=

(D)=
 (E)=
 (F)=

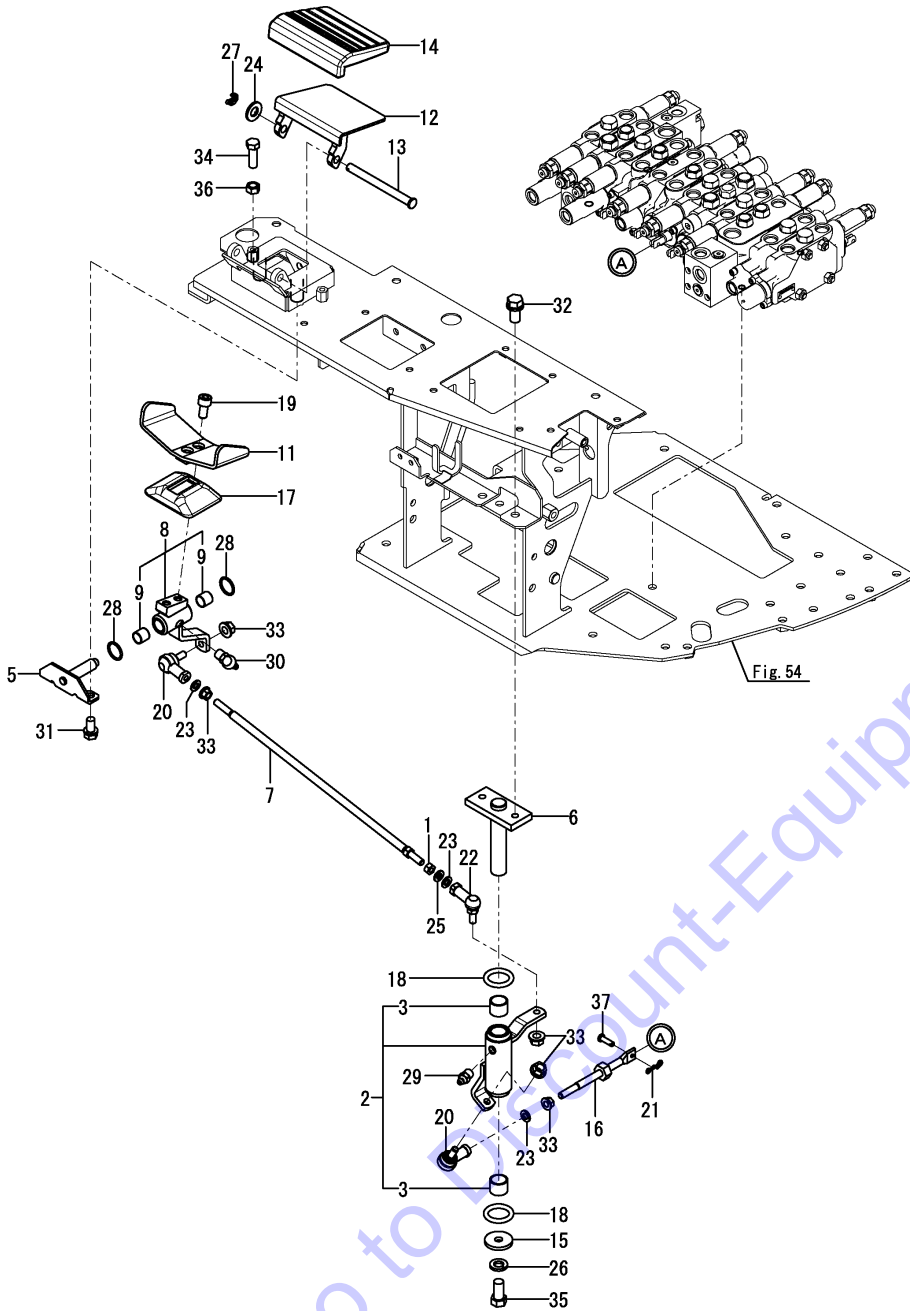


No.	Lev.	Parts No.	Description	Q'ty						I	R
				(A)	(B)	(C)	(D)	(E)	(F)		
1	1	172141-41340	BOOT	2	2						
2	1	172B03-45100	LEVER ASSY, TRACK L	1	1						
3	2	172141-41370	BUSH	2	2						
5	1	172B03-45150	LEVER ASSY, TRACK R	1	1						
6	2	172141-41370	BUSH	2	2						
8	1	172B03-45400	SHAFT ASSY	1	1						
9	1	172187-45870	GRIP, DRIVE	1	1						
10	1	172187-45880	GRIP, DRIVE	1	1						
11	1	172124-46200	O-RING	3	3						
12	1	172124-46340-1	ROD ASSY, SPOOL A	2	2						
13	1	172122-46590	ELBOW	2	2						
14	1	1C6281-52310	PIN, SNAP 6	2	2						
15	1	22117-040000	WASHER, 4	2	2						
16	1	22117-080000	WASHER, 8	2	2						
17	1	24761-020000	NIPPLE, GREASE PT1/8	2	2						
18	1	26013-080202	BOLT, M8X 20	1	1						
19	1	26051-080002	NUT, M8	4	4						
20	1	26116-080304	BOLT, M8X 30 PLATED	4	4						
21	1	26587-040122	SCREW, M4X12	2	2						
22	1	26716-080002	NUT, M8	4	4						
23	1	933110-54100	PIN	2	2						

Fig.57. SWING PEDAL

(A)=VIO45-6A P(US)
 (B)=VIO45-6A C(US)
 (C)=

(D)=
 (E)=
 (F)=

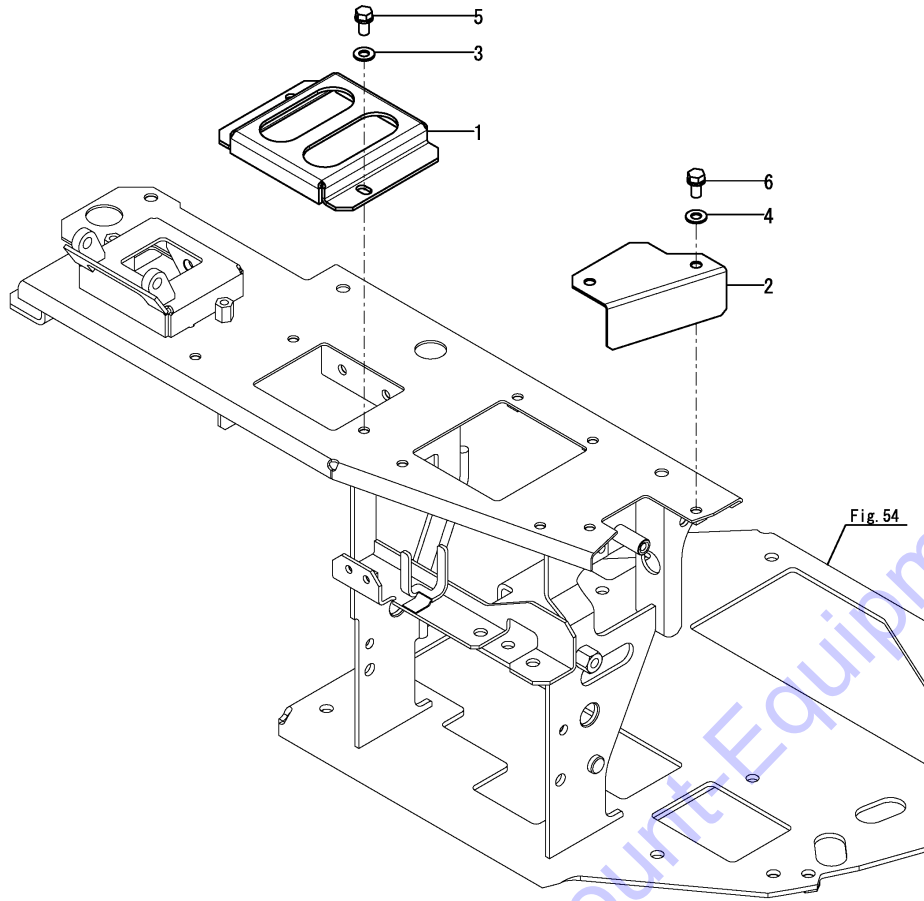


No.	Lev.	Parts No.	Description	Q'ty						I	R
				(A)	(B)	(C)	(D)	(E)	(F)		
1	1	194200-37780	NUT, M8	1	1						
2	1	172B03-45200	LINK ASSY, SWING	1	1						
3	2	172141-41370	BUSH	2	2						
5	1	172458-45230-1	SHAFT, PEDAL	1	1						
6	1	172B03-45250	BRACKET, SWING	1	1						
7	1	172B03-45300	ROD ASSY, 420	1	1						
8	1	172B03-45320	LINK ASSY, PEDAL	1	1						
9	2	172141-41360	BUSH	2	2						
11	1	172458-45521-1	PEDAL, SWING	1	1						
12	1	172458-45540-1	COVER, PEDAL	1	1						
13	1	172187-45651	SHAFT	1	1						
14	1	172187-45760	PAD	1	1						
15	1	1A1040-45890	WASHER, 10X36X4.5	1	1						
16	1	172823-45940	ROD ASSY	1	1						
17	1	172157-45990	BOOT, PEDAL	1	1						
18	1	172124-46200	O-RING	2	2						
19	1	172165-46340	BOLT	2	2						
20	1	172122-46590	ELBOW	2	2						
21	1	1C6281-52310	PIN, SNAP 6	1	1						
22	1	1E6740-64200	BALL, LINK BL8DL	1	1						
23	1	22117-080000	WASHER, 8	3	3						
24	1	22137-100000	WASHER, 10	1	1						
25	1	22217-080000	WASHER, SPRING 8	1	1						
26	1	22217-100000	WASHER, SPRING 10	1	1						
27	1	22417-250200	PIN, COTTER 2.5X20	1	1						
28	1	24311-000210	O-RING, 1AP21.0	2	2						
29	1	24761-020000	NIPPLE, GREASE PT1/8	1	1						
30	1	24761-040000	NIPPLE, GREASE B	1	1						
31	1	26013-080162	BOLT, M8X 16	2	2						
32	1	26013-100202	BOLT, M10X 20	2	2						
33	1	26051-080002	NUT, M8	5	5						
34	1	26116-080254	BOLT, M8X 25 PLATED	2	2						
35	1	26116-100202	BOLT, M10X 20 PLATED	1	1						
36	1	26716-080002	NUT, M8	2	2						
37	1	933110-54100	PIN	1	1						

Fig.58. LINK COVER

(A)=VIO45-6A P(US)
 (B)=VIO45-6A C(US)
 (C)=

(D)=
 (E)=
 (F)=



No.	Lev.	Parts No.	Description	Q'ty						I	R
				(A)	(B)	(C)	(D)	(E)	(F)		
1	1	172458-45510-1	BRACKET, BOOT	1	1						
2	1	172B03-45580	COVER, NO 2ND	1	1						
3	1	22137-080000	WASHER, 8	2	2						
4	1	22137-080000	WASHER, 8	2	2						
5	1	26013-080162	BOLT, M8X 16	2	2						
6	1	26013-080162	BOLT, M8X 16	2	2						

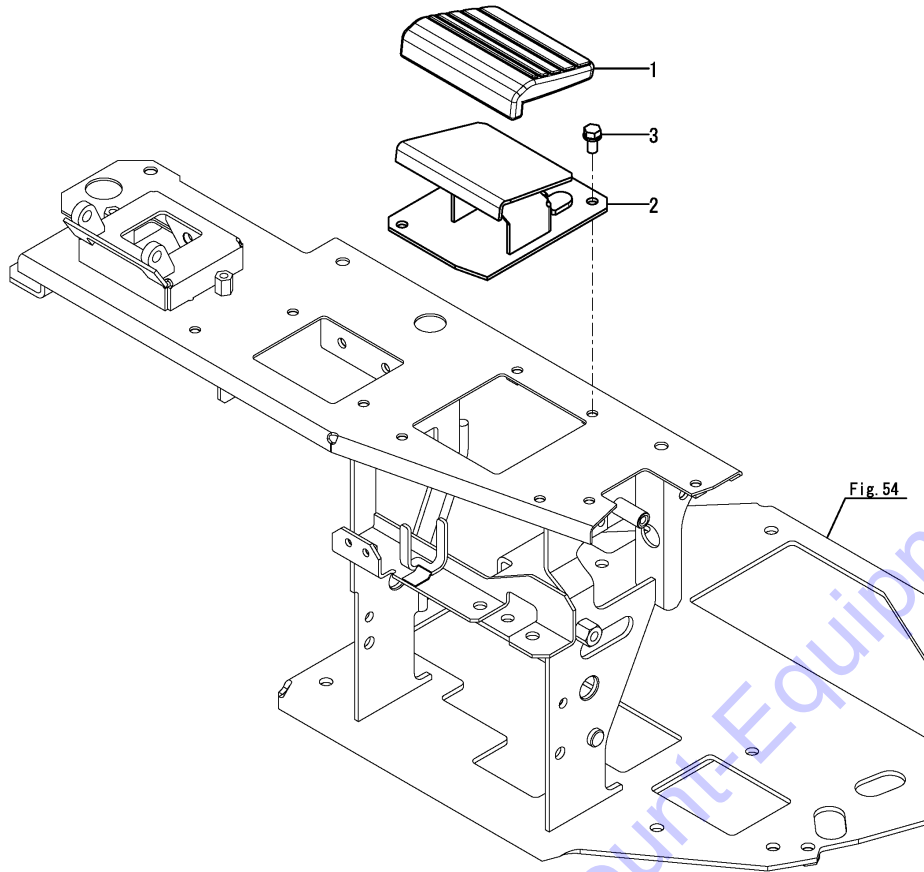
Fig. 54

Fig.59. PEDAL COVER

(A)=VIO45-6A P(US)
 (B)=VIO45-6A C(US)
 (C)=

(D)=
 (E)=
 (F)=

No.	Lev.	Parts No.	Description	Q'ty						I	R
				(A)	(B)	(C)	(D)	(E)	(F)		
1	1	172187-45760	PAD	1	1						
2	1	172B03-46810	COVER ASSY	1	1						
3	1	26013-080162	BOLT, M8X 16	3	3						



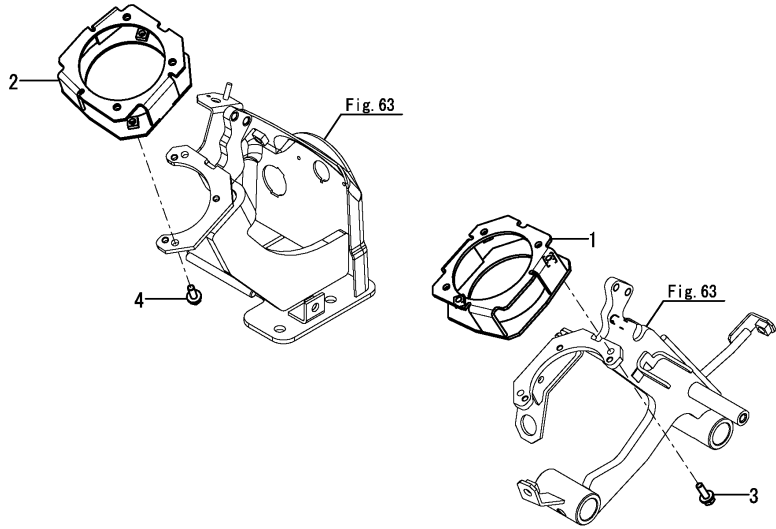
Go to DiscountEquipment.com to order your parts

Fig.60. LEVER SPACER

(A)=VIO45-6A P(US)
 (B)=VIO45-6A C(US)
 (C)=

(D)=
 (E)=
 (F)=

No.	Lev.	Parts No.	Description	Q'ty						I	R
				(A)	(B)	(C)	(D)	(E)	(F)		
1	1	172B03-46010	SPACER ASSY, L	1	1						
2	1	172B03-46060	SPACER ASSY, R	1	1						
3	1	26014-060202	BOLT, M6X 20	2	2						
4	1	26014-060202	BOLT, M6X 20	2	2						

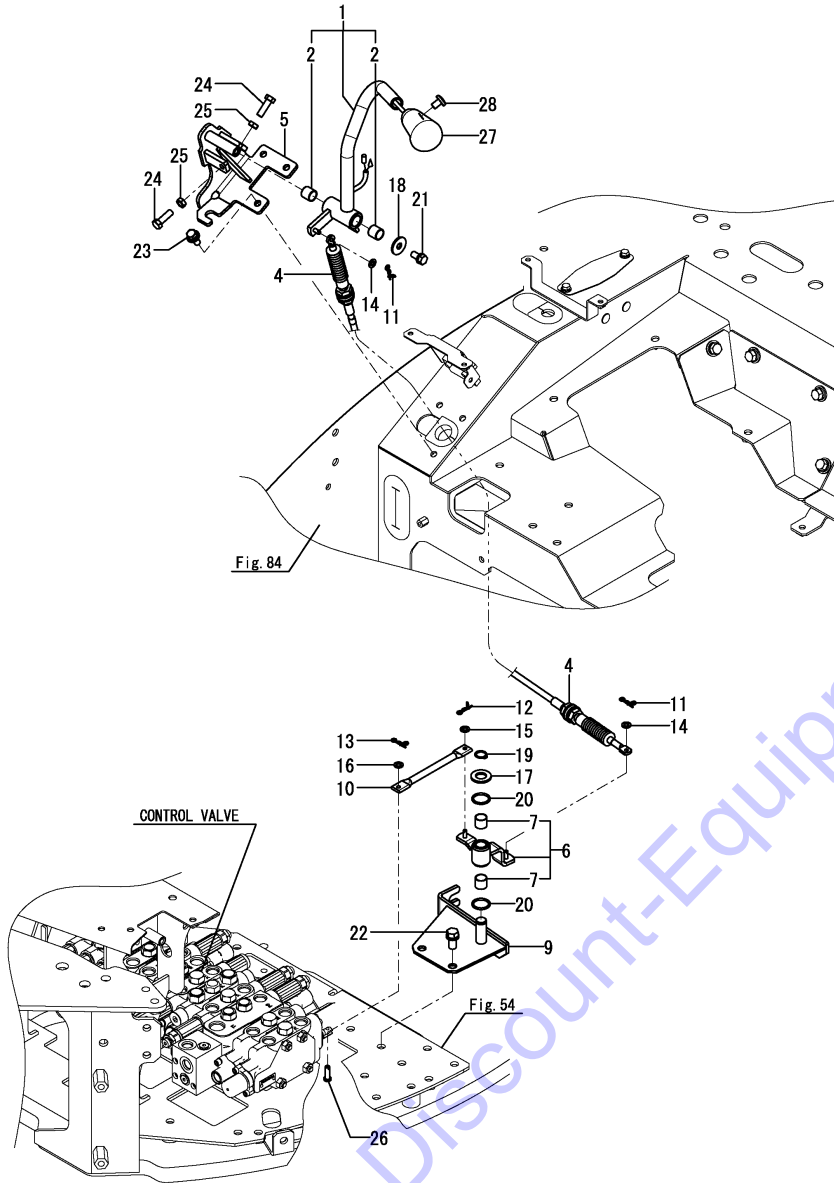


Go to Discount-Equipment.com to order your parts

Fig.61. BLADE LEVER

(A)=VIO45-6A P(US)
 (B)=VIO45-6A C(US)
 (C)=

(D)=
 (E)=
 (F)=



No.	Lev.	Parts No.	Description	Q'ty						I	R
				(A)	(B)	(C)	(D)	(E)	(F)		
1	1	172B03-45450	LEVER ASSY, BLADE EX	1	1						
2	2	172141-41360	BUSH	2	2						
4	1	172B03-45800	CABLE, BLADE	1	1						
5	1	172B03-45850	BRACKET ASSY, BLADE	1	1						
6	1	172B03-45900	BOSS ASSY, LINK	1	1						
7	2	172141-41360	BUSH	2	2						
9	1	172B03-45950	SHAFT ASSY, LINK	1	1						
10	1	172B03-45990	ROD, 130	1	1						
11	1	1C6281-52310	PIN, SNAP 6	2	2						
12	1	1C6281-52310	PIN, SNAP 6	1	1						
13	1	1C6281-52310	PIN, SNAP 6	1	1						
14	1	22137-050000	WASHER, 5	2	2						
15	1	22137-050000	WASHER, 5	1	1						
16	1	22137-050000	WASHER, 5	1	1						
17	1	22137-140000	WASHER, 14	1	1						
18	1	22157-080000	WASHER, 8	1	1						
19	1	22242-000140	RING, 14	1	1						
20	1	24311-000210	O-RING, 1AP21.0	2	2						
21	1	26013-080162	BOLT, M8X 16	1	1						
22	1	26013-100202	BOLT, M10X 20	2	2						
23	1	26014-080202	BOLT, M8X 20	3	3						
24	1	26116-080252	BOLT, M8X 25 PLATED	2	2						
25	1	26756-080002	NUT, LOCK M8	2	2						
26	1	933110-54100	PIN	1	1						
27	1	172B03-17500	KNOB ASSY, BLADE SW	1	1						
28	1	26587-040062	SCREW, M4X 6	1	1						

Remarks

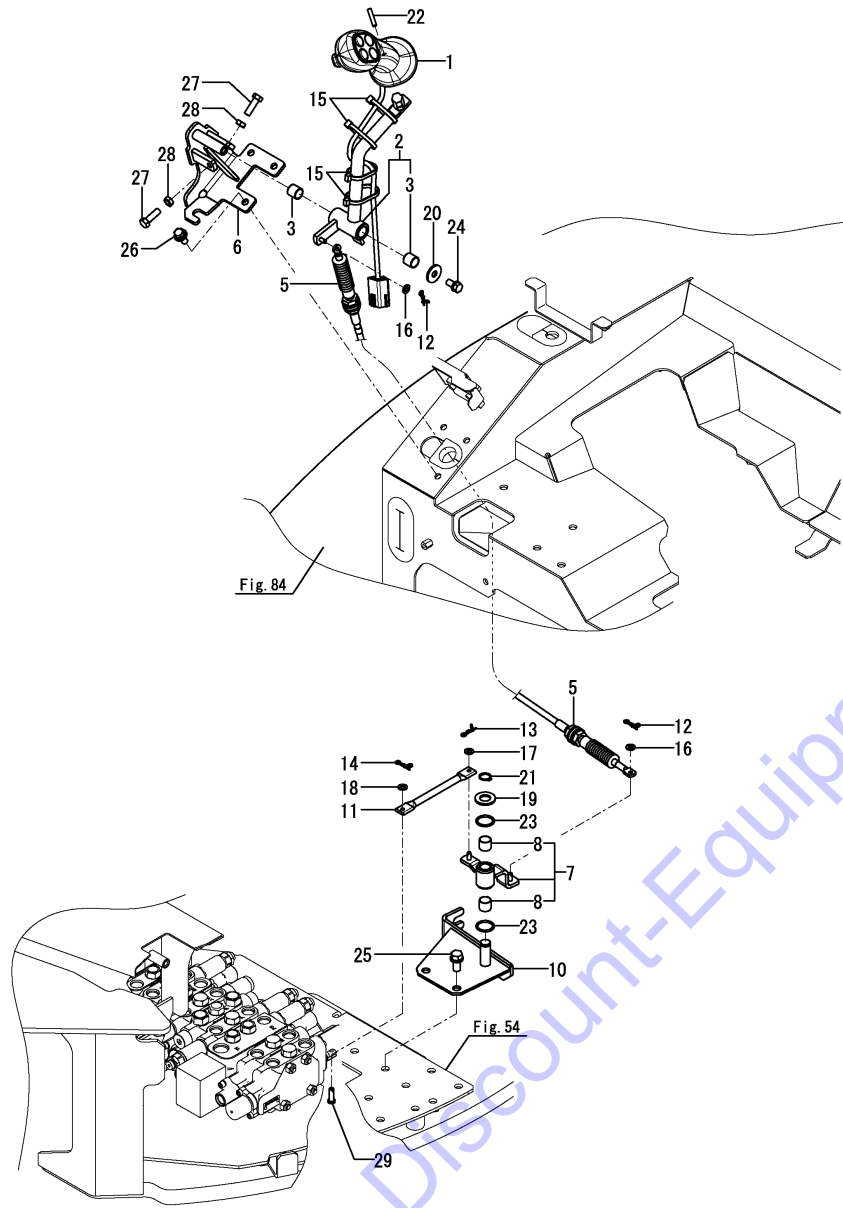
* Not applied for angle blade specification.

N:Old $\begin{matrix} \text{Yes} \\ \text{No} \end{matrix}$ New, Q:Old $\begin{matrix} \text{No} \\ \text{Yes} \end{matrix}$ New, R:Old $\begin{matrix} \text{Yes} \\ \text{Yes} \end{matrix}$ New, S:Old $\begin{matrix} \text{No} \\ \text{No} \end{matrix}$ New, W:Add, Z:Discontinued, F:Interchangeable by set, K:Q'ty Change

Fig.178. (61A)BLADE LEVER(ANGLE BLADE SPEC.)

(A)=VIO45-6A P(US)
 (B)=VIO45-6A C(US)
 (C)=

(D)=
 (E)=
 (F)=



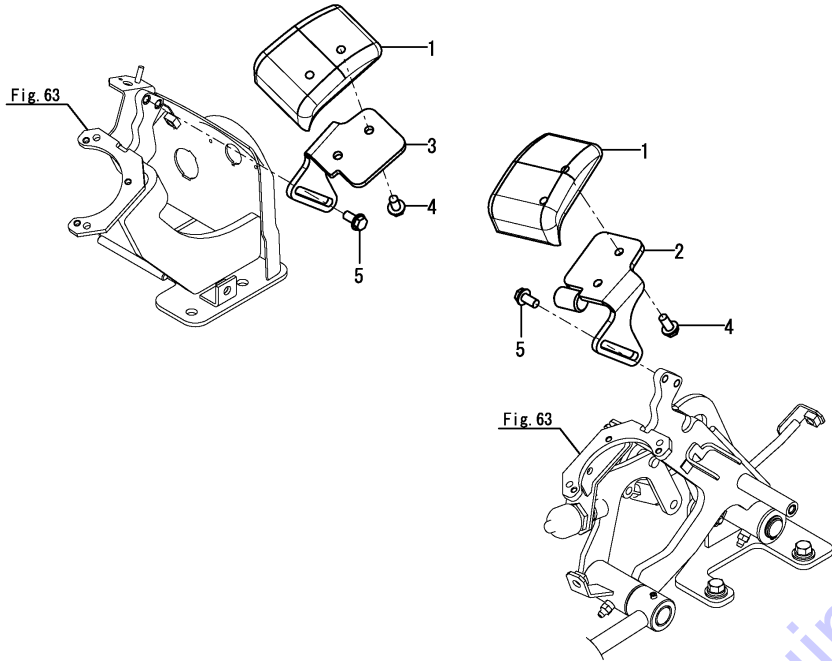
No.	Lev.	Parts No.	Description	Q'ty						I	R
				(A)	(B)	(C)	(D)	(E)	(F)		
1	1	172B05-45350	GRIP, ANGLE BLADE	1	1						
2	1	172B05-45450	LEVER ASSY, ANGLE	1	1						
3	2	172141-41360	BUSH, 14 15	2	2						
5	1	172B03-45800	CABLE, BLADE	1	1						
6	1	172B03-45850	BRACKET ASSY, BLADE	1	1						
7	1	172B03-45900	BOSS ASSY, LINK	1	1						
8	2	172141-41360	BUSH, 14 15	2	2						
10	1	172B03-45950	SHAFT ASSY, LINK	1	1						
11	1	172B03-45990	ROD, 130	1	1						
12	1	1C6281-52310	PIN, SNAP 6	2	2						
13	1	1C6281-52310	PIN, SNAP 6	1	1						
14	1	1C6281-52310	PIN, SNAP 6	1	1						
15	1	194202-56460	CLAMP, SIDE LINE 200	4	4						
16	1	22137-050000	WASHER, 5	2	2						
17	1	22137-050000	WASHER, 5	1	1						
18	1	22137-050000	WASHER, 5	1	1						
19	1	22137-140000	WASHER, 14	1	1						
20	1	22157-080000	WASHER, 8	1	1						
21	1	22242-000140	RING, 14	1	1						
22	1	22351-050025	PIN, 5.0A X 25	1	1						
23	1	24311-000210	PACKING, P 21.0	2	2						
24	1	26013-080162	BOLT, 8 X 16	1	1						
25	1	26013-100202	BOLT, 10 X 20	2	2						
26	1	26014-080202	BOLT, 8 X 20	3	3						
27	1	26116-080252	BOLT, 8 X 25	2	2						
28	1	26756-080002	NUT, 8	2	2						
29	1	933110-54100	PIN	1	1						

Remarks
 * Exclusive figure for angle blade specification.

Fig.62. ARMREST

(A)=VIO45-6A P(US)
 (B)=VIO45-6A C(US)
 (C)=

(D)=
 (E)=
 (F)=



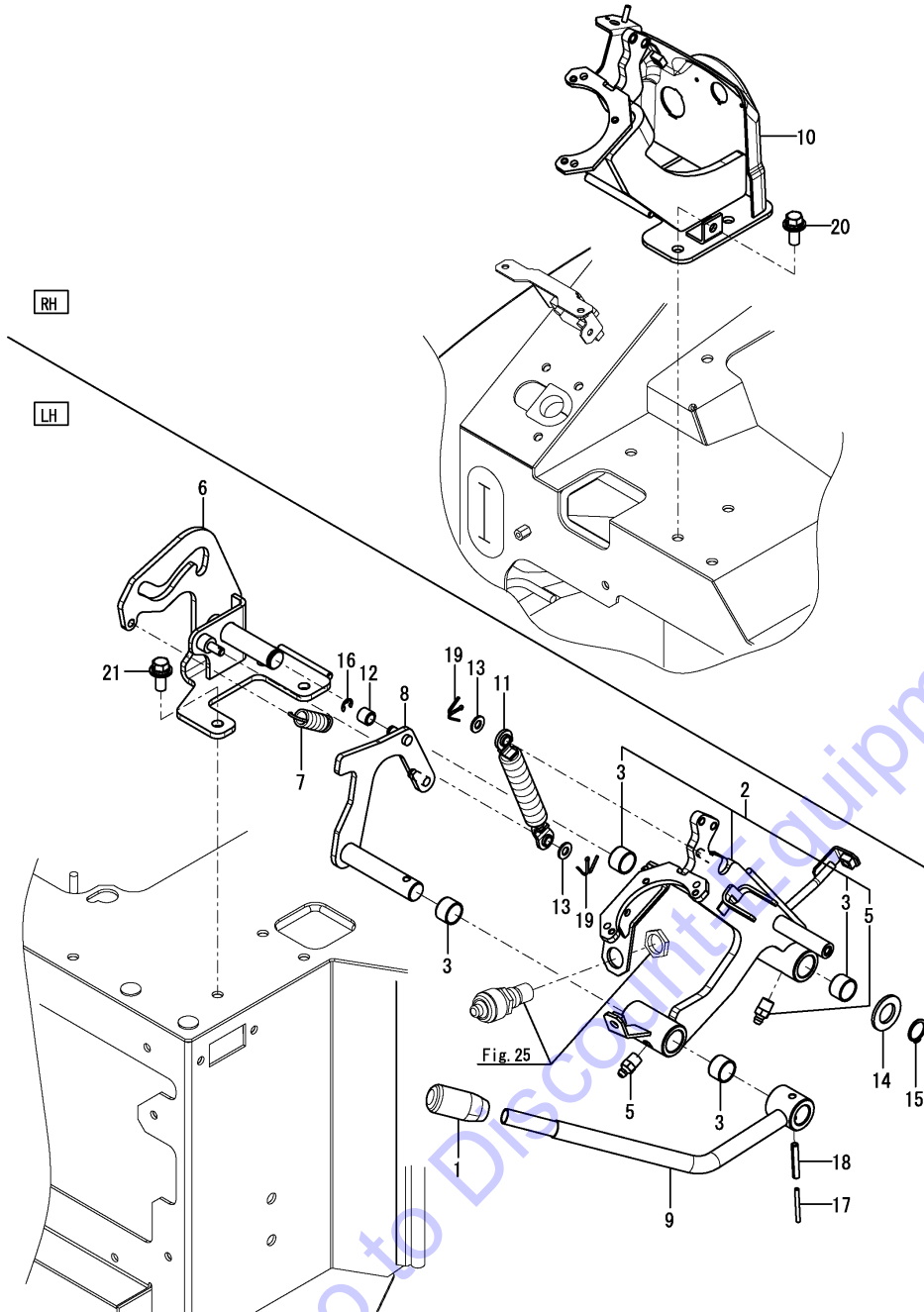
No.	Lev.	Parts No.	Description	Q'ty						I	R
				(A)	(B)	(C)	(D)	(E)	(F)		
1	1	172441-44320	ARMREST	2	2						
2	1	172A46-46500	GUIDE ASSY	1	1						
3	1	172A46-46530	PLATE, GUIDE	1	1						
4	1	172519-63240	BOLT	4	4						
5	1	172519-63240	BOLT	4	4						

Go to Discount-Equipment.com to order your parts

Fig.63. LOCK LEVER & STAND

(A)=VIO45-6A P(US)
 (B)=VIO45-6A C(US)
 (C)=

(D)=
 (E)=
 (F)=



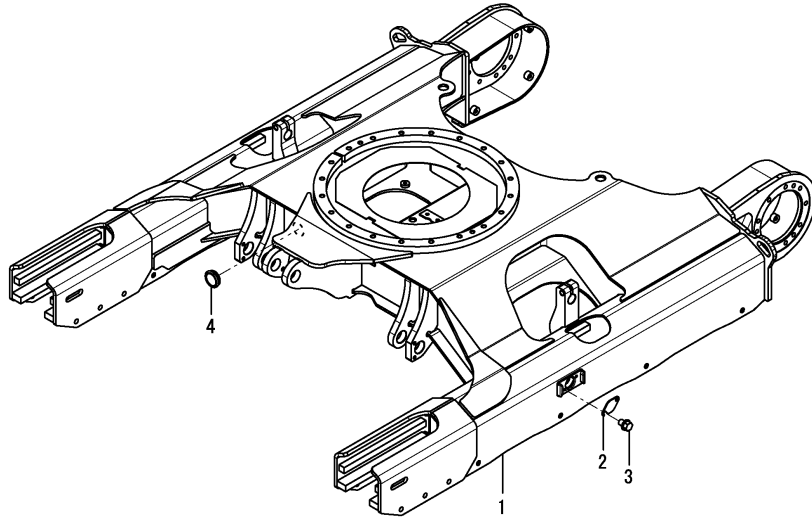
No.	Lev.	Parts No.	Description	Q'ty						I	R
				(A)	(B)	(C)	(D)	(E)	(F)		
1	1	172A77-46050	GRIP	1	1						
2	1	172B03-46100	STAND ASSY, LEVER	1	1						
3	2	172141-41370	BUSH	4	4						
5	2	24761-020000	NIPPLE, GREASE PT1/8	2	2						
6	1	172B03-46200	BASE ASSY, LEVER L	1	1						
7	1	172A69-46270	SPRING	1	1						
8	1	172B03-46310	ROD ASSY, GUIDE	1	1						
9	1	172B03-46350	LEVER ASSY, LOCK L	1	1						
10	1	172B03-46400	STAND ASSY, LEVER	1	1						
11	1	172455-46890	SPRING, GAS	1	1						
12	1	172165-47550	BUSH	1	1						
13	1	22137-080000	WASHER, 8	2	2						
14	1	22137-200000	WASHER, 20	1	1						
15	1	22242-000200	RING, 20	1	1						
16	1	22272-000070	RING, E- 7	1	1						
17	1	22351-035040	PIN, SPRING 3.5X40	1	1						
18	1	22351-060040	PIN, SPRING 6.0X40	1	1						
19	1	22417-200200	PIN, COTTER 2.0X20	2	2						
20	1	26014-100252	BOLT, M10X 25	3	3						
21	1	26014-100252	BOLT, M10X 25	3	3						

Fig.64. TRACK FRAME

(A)=VIO45-6A P(US)
 (B)=VIO45-6A C(US)
 (C)=

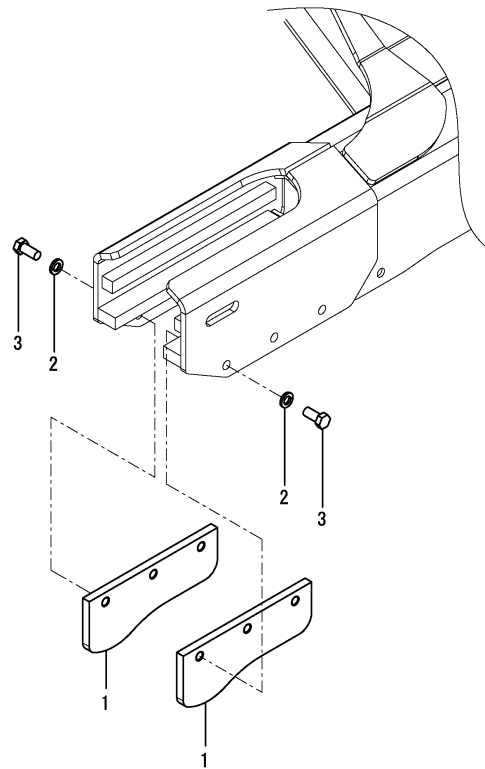
(D)=
 (E)=
 (F)=

No.	Lev.	Parts No.	Description	Q'ty						I	R
				(A)	(B)	(C)	(D)	(E)	(F)		
1	1	172B04-50100	FRAME ASSY, LOWER	1	1						
2	1	172458-50480-2	COVER, FRAME	2	2						
3	1	26106-100122	BOLT, M10X 12 PLATED	4	4						
4	1	172141-50890	GROMMET	1	1						1



Remarks
 * Not applied for angle blade specification.

Fig.65. CRAWLER GUARD(IRON CRAWLER SPEC.)



(A)=VIO45-6A P(US)
 (B)=VIO45-6A C(US)
 (C)=

(D)=
 (E)=
 (F)=

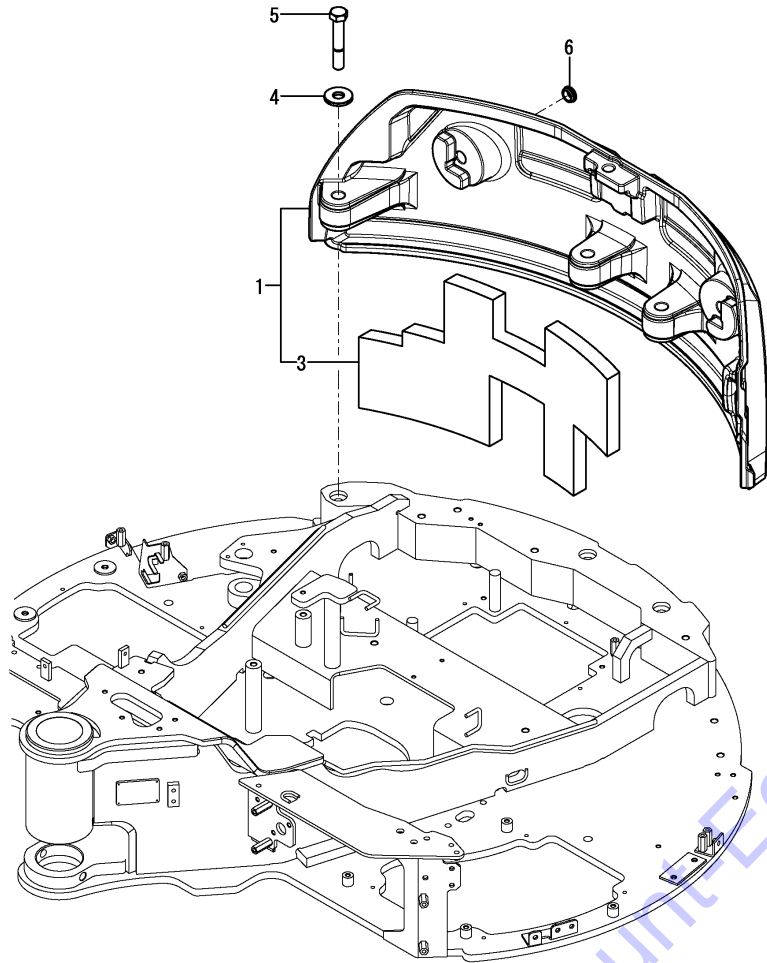
No.	Lev.	Parts No.	Description	Q'ty						I	R
				(A)	(B)	(C)	(D)	(E)	(F)		
1	1	172423-50810-3	GUARD, CRAWLER	4	4						1
2	1	22217-160000	WASHER, SPRING 16	12	12						1
3	1	26116-160352	BOLT, M16X 35 PLATED	12	12						1

Remarks
 (1)Iron crawler specification.

Fig.66. COUNTER WEIGHT

(A)=VIO45-6A P(US)
 (B)=VIO45-6A C(US)
 (C)=

(D)=
 (E)=
 (F)=



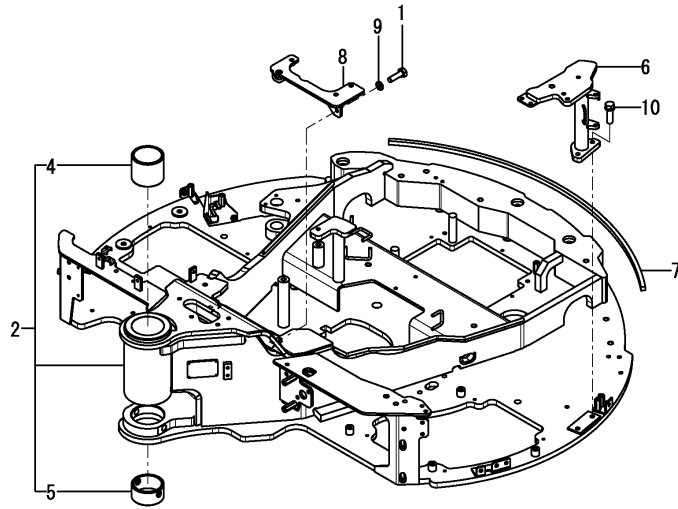
No.	Lev.	Parts No.	Description	Q'ty						I	R
				(A)	(B)	(C)	(D)	(E)	(F)		
1	1	172B04-53300	WEIGHT ASSY,1550	1	1						
3	2	172B04-53330	SPONGE,WEIGHT	1	1						
4	1	172187-53321	WASHER	3	3						
5	1	172455-53331	BOLT	3	3						
6	1	172456-53700	GROMMET	2	2						

Go to DiscountEquipment.com to order your parts

Fig.67. TURNING FRAME

(A)=VIO45-6A P(US)
 (B)=VIO45-6A C(US)
 (C)=

(D)=
 (E)=
 (F)=



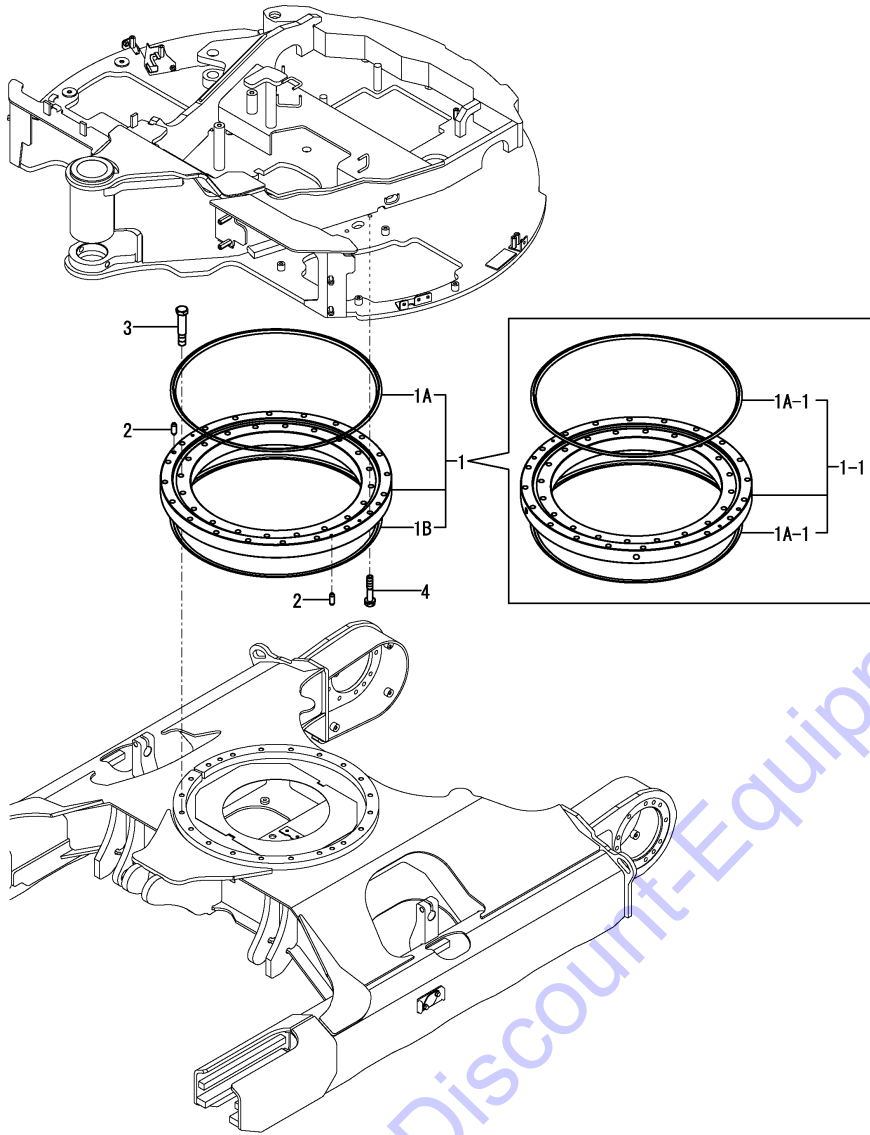
No.	Lev.	Parts No.	Description	Q'ty						I	R
				(A)	(B)	(C)	(D)	(E)	(F)		
1	1	172A21-13100	BOLT	2	2						
2	1	172B04-54100	FRAME ASSY, TURNING	1	1						
4	2	172B04-54900	BUSH, 90X90	1	1						
5	2	172B04-54910	BUSH, 90X51	1	1						
6	1	172B04-54800	MOUNT ASSY, FRAME	1	1						
7	1	172B05-54810	SEAL, 1540	1	1						
8	1	172B04-54950	BRACKET ASSY	1	1						
9	1	22217-100000	WASHER, SPRING 10	2	2						
10	1	26013-120402	BOLT, M12X 40	2	2						

Go to Discount-Equipment.com to order your parts

Fig.68. TURNING BEARING

(A)=VIO45-6A P(US)
 (B)=VIO45-6A C(US)
 (C)=

(D)=
 (E)=
 (F)=



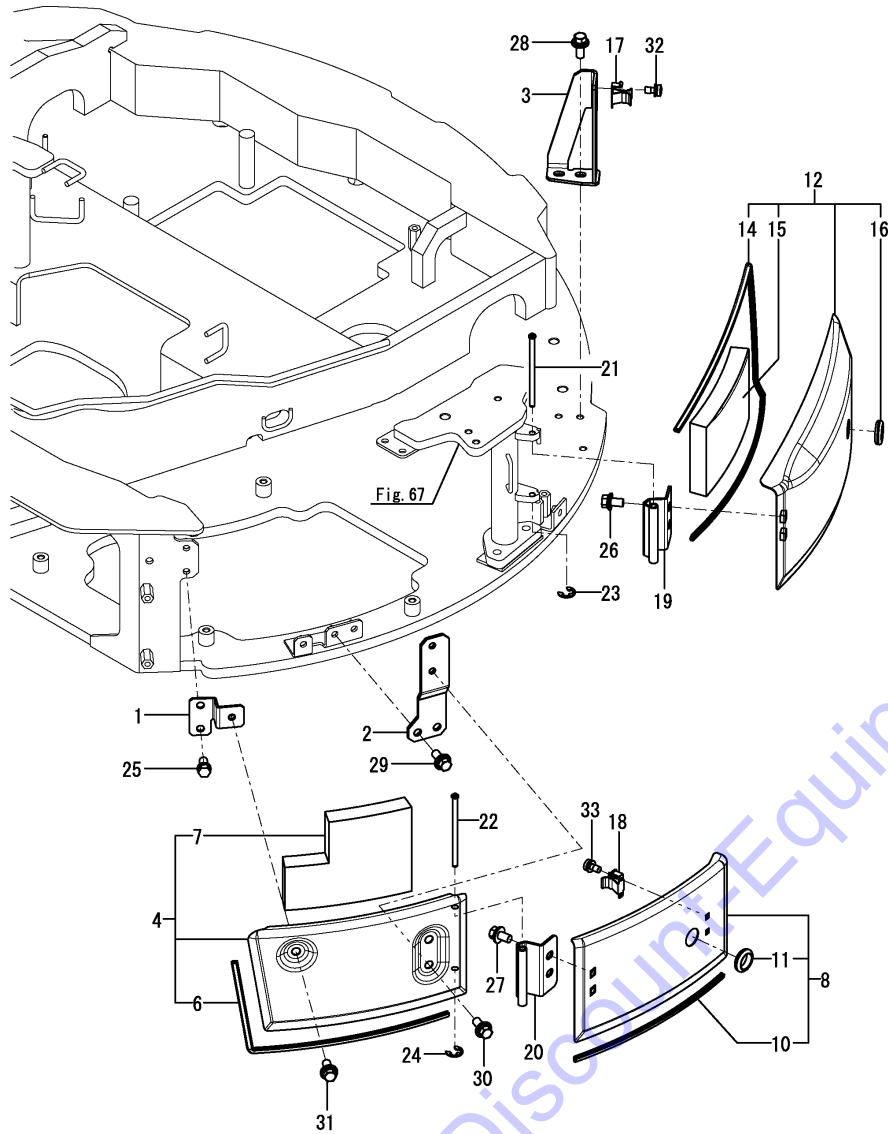
No.	Lev.	Parts No.	Description	Q'ty						I	R
				(A)	(B)	(C)	(D)	(E)	(F)		
1	1	172445-57600	BEARING, SWING	1	1						
1-1	1	172B04-57600	BEARING ASSY,TURNING	1	1						N 1
		(A=M65532) (B=M65532)									
1A	2	172124-57620	SEAL, TURNING	1	1						
1A-1	2	172B04-57610	SEAL, BEARING	2	2						S
		(A=M65532) (B=M65532)									
1B	2	172124-57630	SEAL, TURNING	1	1						Z
		(A=M65532) (B=M65532)									
2	1	172122-57620	PIN, PARALLEL	4	4						
3	1	172455-57650	BOLT	20	20						
4	1	172A79-57660	BOLT	20	20						

Remarks
 (1)With Rc1/8plug on the outer ring side(2 pieces).

Fig.69. COVER(MULTI)

(A)=VIO45-6A P(US)
 (B)=VIO45-6A C(US)
 (C)=

(D)=
 (E)=
 (F)=



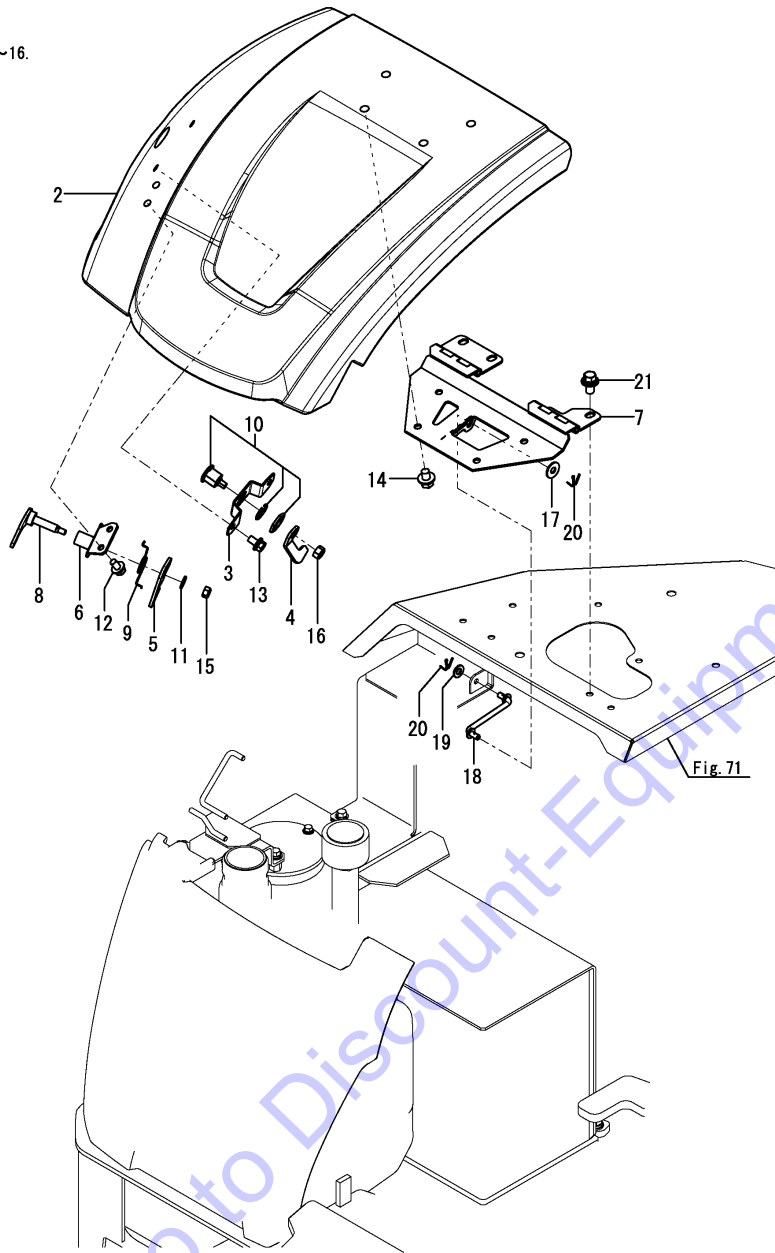
No.	Lev.	Parts No.	Description	Q'ty						I	R
				(A)	(B)	(C)	(D)	(E)	(F)		
1	1	172B03-61050	STAY ASSY, MULTI	1	1						
2	1	172B03-61070	STAY ASSY, MULTI	1	1						
3	1	172B03-61090	STAY, HOLDER	1	1						
4	1	172B03-61200	COVER ASSY, MULTI	1	1						
6	2	172B03-61450	SEAL, MULTI	1	1						
7	2	172B03-61480	SPONGE	1	1						
8	1	172B03-61230	COVER ASSY, MULTI	1	1						
10	2	172B03-61460	SEAL, MULTI	1	1						
11	2	172137-66230	GROMMET	1	1						
12	1	172B03-61260	COVER ASSY, MULTI	1	1						
14	2	172B03-61470	SEAL, MULTI	1	1						
15	2	172B03-61490	SPONGE	1	1						
16	2	172137-66230	GROMMET	1	1						
17	1	198220-61480	HOLDER, ROD	1	1						
18	1	198220-61480	HOLDER, ROD	1	1						
19	1	172B03-61540	HINGE ASSY,MULTI	1	1						
20	1	172B03-61540	HINGE ASSY,MULTI	1	1						
21	1	172448-65490	SHAFT, HINGE	1	1						
22	1	172448-65490	SHAFT, HINGE	1	1						
23	1	22272-000070	RING, E- 7	1	1						
24	1	22272-000070	RING, E- 7	1	1						
25	1	26013-100202	BOLT, M10X 20	2	2						
26	1	26014-100202	BOLT, M10X 20	2	2						
27	1	26014-100202	BOLT, M10X 20	2	2						
28	1	26014-100252	BOLT, M10X 25	2	2						
29	1	26014-100252	BOLT, M10X 25	2	2						
30	1	26014-100252	BOLT, M10X 25	2	2						
31	1	26014-100252	BOLT, M10X 25	1	1						
32	1	26023-050102	SCREW, M5X10	2	2						
33	1	26023-050102	SCREW, M5X10	2	2						

Fig.70. UPPER COVER(1)

(A)=VIO45-6A P(US)
 (B)=VIO45-6A C(US)
 (C)=

(D)=
 (E)=
 (F)=

1 INC. 2~16.

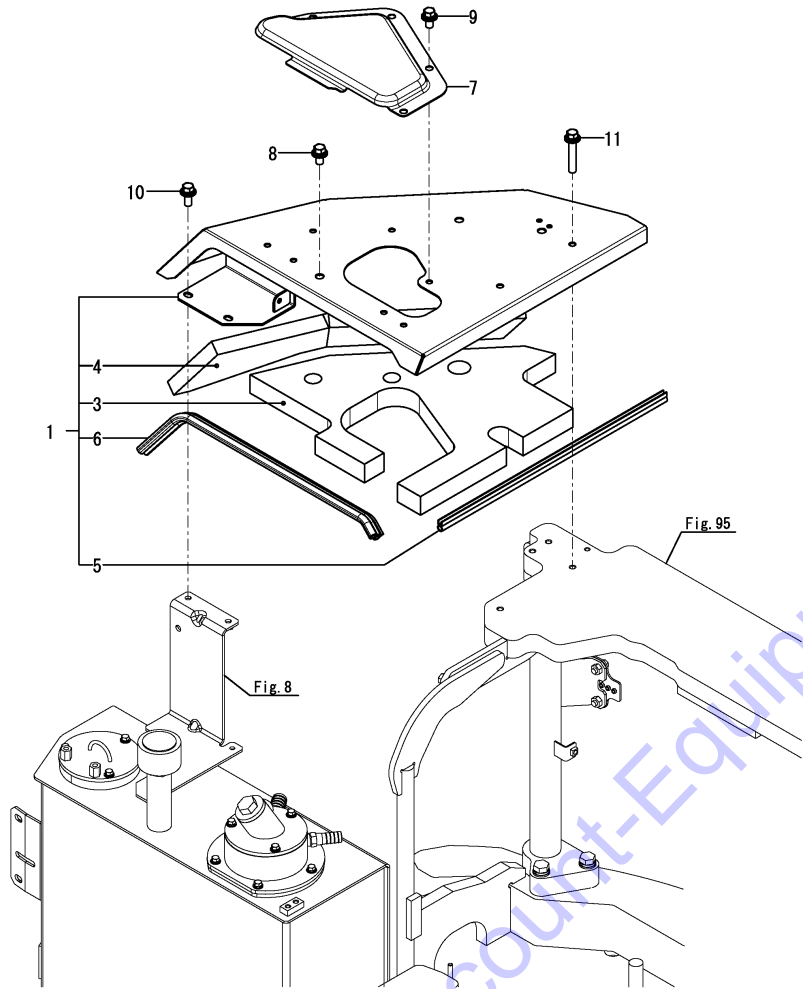


No.	Lev.	Parts No.	Description	Q'ty						I	R
				(A)	(B)	(C)	(D)	(E)	(F)		
1	1	172B04-61810	COVER ASSY,B BLACK	1	1						
2	2	172B04-61820	COVER, B BLACK	1	1						
3	2	172B04-62260	PLATE, LOCK	1	1						
4	2	172B04-62270	STAY, KEY	1	1						
4-1	2	172B04-62271	STAY, KEY	1	1						N
		(A=*2013.10) (B=*2013.10)									
5	2	172A69-62280	PLATE, LOCK	1	1						
6	2	172B04-62300	HOOK ASSY, OP/CL	1	1						
7	2	172B04-62340	PLATE ASSY, HINGE	1	1						
8	2	172A69-62510	LEVER ASSY	1	1						
9	2	172156-65690	SPRING, STOPPER	1	1						
10	2	172B03-66170	CYLINDER ASSY, KEY	1	1						
11	2	22137-080000	WASHER, 8	1	1						
12	2	26014-080162	BOLT, M8X 16	2	2						
13	2	26014-080162	BOLT, M8X 16	2	2						
14	2	26014-100162	BOLT, M10X 16	4	4						
15	2	26347-080002	NUT, M8	1	1						
16	2	26347-100002	NUT, M10	1	1						
17	1	1A1380-62160	WASHER, BELT COVER	1	1						
18	1	172444-65190	ROD ASSY, STOPPER	1	1						
19	1	22137-080000	WASHER, 8	1	1						
20	1	22417-200200	PIN, COTTER 2.0X20	2	2						
21	1	26014-100202	BOLT, M10X 20	3	3						

Fig.71. UPPER COVER(2)

(A)=VIO45-6A P(US)
 (B)=VIO45-6A C(US)
 (C)=

(D)=
 (E)=
 (F)=



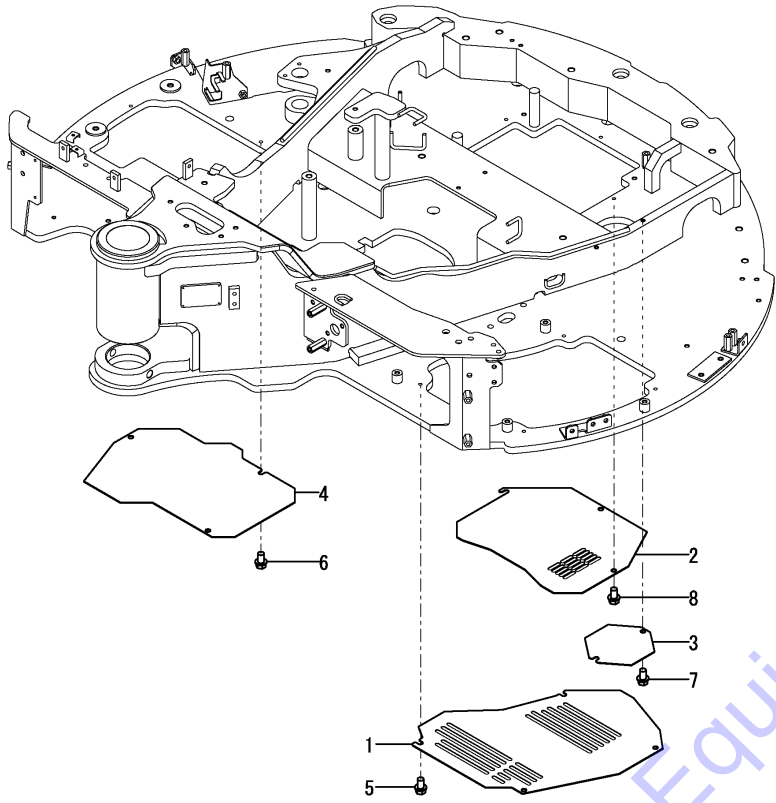
No.	Lev.	Parts No.	Description	Q'ty						I	R
				(A)	(B)	(C)	(D)	(E)	(F)		
1	1	172B04-61901	COVER ASSY, C	1	1						1
3	2	172B04-61980	SPONGE, COVER	1	1						
4	2	172B04-61990	SPONGE,B COVER	1	1						
5	2	172A64-64940	SEAL, 560	1	1						
6	2	172187-66330	RUBBER, SEAL 590	1	1						
6A	1	172A38-03211	LABEL, ANTI-FREEZING	1	1						2
6B	1	172437-03391	LABEL, RADIATOR	1	1						2
6C	1	172125-03951	LABEL, AIR CLEANER	1	1						2
7	1	172A69-62130	COVER	1	1						
7-1	1	172B12-62130	COVER,UPPER	1	1						N
		(A=*2015.02) (B=*2015.02)									
8	1	26014-100202	BOLT, M10X 20	2	2						
9	1	26014-100202	BOLT, M10X 20	4	4						
10	1	26014-100252	BOLT, M10X 25	2	2						
11	1	26014-100602	BOLT, M10X 60	2	2						

Remarks
 (1)Attach the No.6A, 6B & 6C label to this part.
 (2)Label is not illustrated.

Fig.72. COVER(TURNING FRAME)

(A)=VIO45-6A P(US)
 (B)=VIO45-6A C(US)
 (C)=

(D)=
 (E)=
 (F)=



No.	Lev.	Parts No.	Description	Q'ty						I	R
				(A)	(B)	(C)	(D)	(E)	(F)		
1	1	172B04-61410	COVER,VALVE STAND	1	1						
2	1	172B04-61420	COVER,OILPAN	1	1						
3	1	172B03-61430	COVER, PUMP	1	1						
4	1	172B04-61440	COVER,RESERVOIR	1	1						
5	1	26106-100162	BOLT, M10X 16 PLATED	4	4						
6	1	26106-100162	BOLT, M10X 16 PLATED	3	3						
7	1	26106-100162	BOLT, M10X 16 PLATED	2	2						
8	1	26106-100162	BOLT, M10X 16 PLATED	3	3						

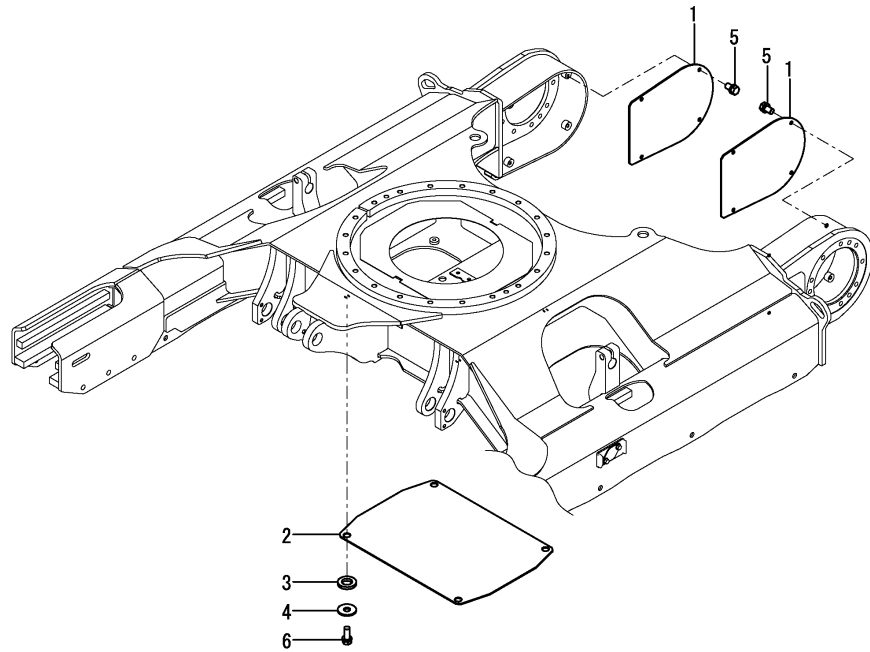
Go to Discount-Equipment.com to order your parts

Fig.73. COVER(TRAVEL FRAME)

(A)=VIO45-6A P(US)
 (B)=VIO45-6A C(US)
 (C)=

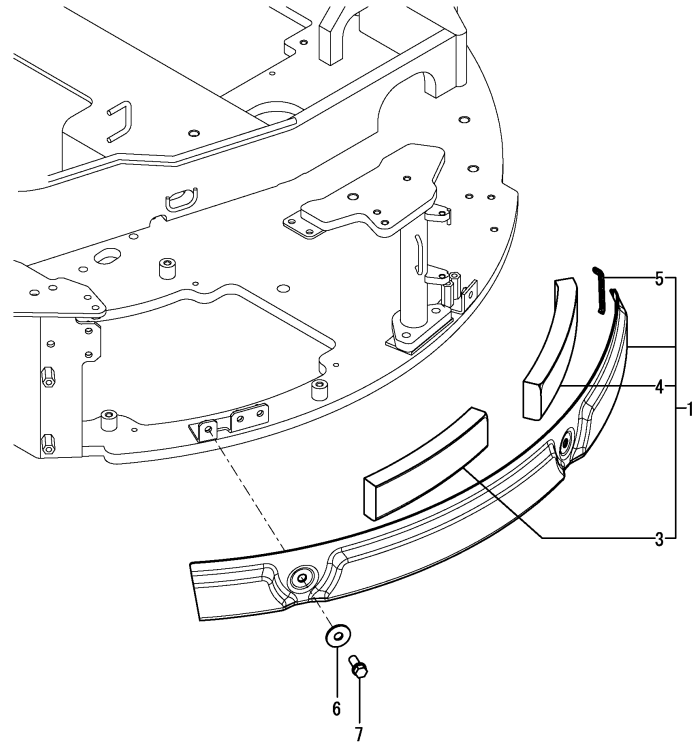
(D)=
 (E)=
 (F)=

No.	Lev.	Parts No.	Description	Q'ty						I	R
				(A)	(B)	(C)	(D)	(E)	(F)		
1	1	172B04-61100	COVER, MOTOR	2	2						
2	1	172460-61121	COVER, UNDER(GRAY:49)	1	1						
3	1	172162-61500	TRIM	4	4						
4	1	22157-120000	WASHER, 12	4	4						
5	1	26013-100202	BOLT, M10X 20	8	8						
6	1	26013-120302	BOLT, M12X 30	4	4						



Go to Discount-Equipment.com to order your parts

Fig.74. FRAME GUARD(LEFT)



(A)=VIO45-6A P(US)
 (B)=VIO45-6A C(US)
 (C)=

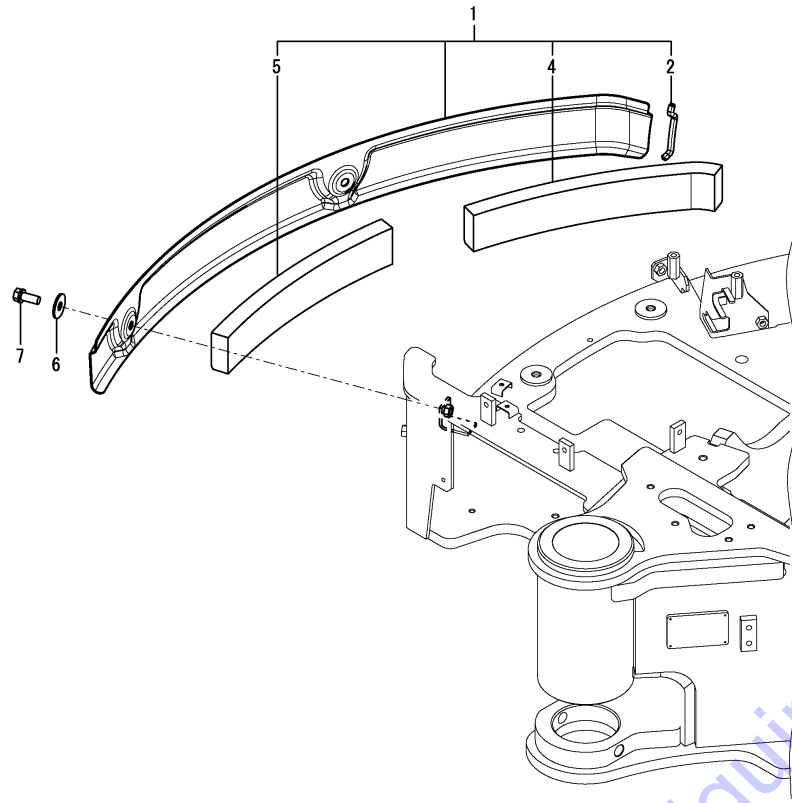
(D)=
 (E)=
 (F)=

No.	Lev.	Parts No.	Description	Q'ty						I	R
				(A)	(B)	(C)	(D)	(E)	(F)		
1	1	172B04-61010	GUARD ASSY, FRAME L	1	1						1
3	2	172B04-61040	SPONGE, GUARD L B	1	1						
4	2	172B04-61040	SPONGE, GUARD L B	1	1						
5	2	172434-61170	TRIM	1	1						
5A	1	172437-03352	LABEL, CYLINDER	1	1						2
6	1	22157-100000	WASHER, 10	2	2						
7	1	26013-100252	BOLT, M10X 25	2	2						

Remarks

- (1) Attach the No.5A label to this part.
- (2) Label is not illustrated.

Fig.75. FRAME GUARD(RIGHT)



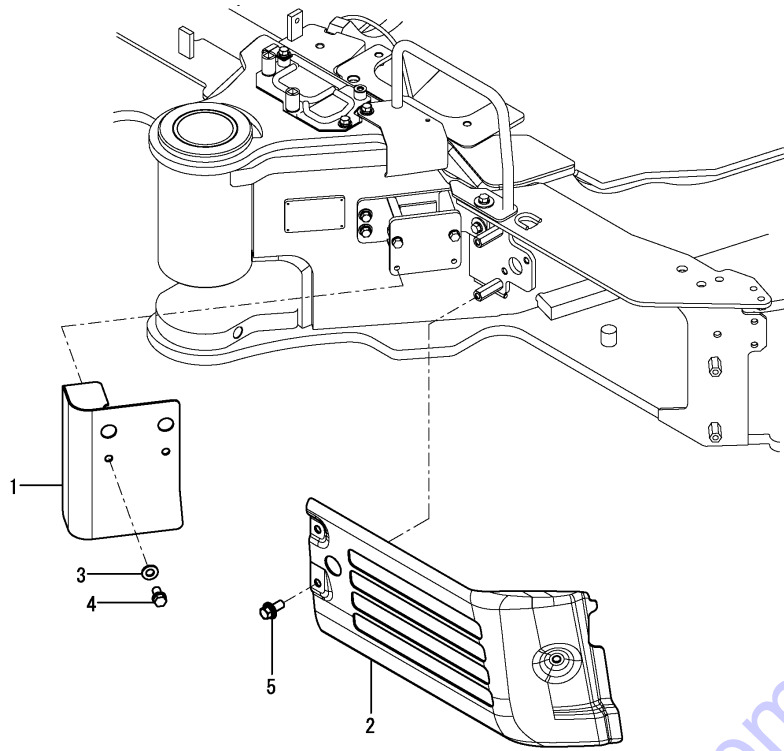
(A)=VIO45-6A P(US)
 (B)=VIO45-6A C(US)
 (C)=

(D)=
 (E)=
 (F)=

No.	Lev.	Parts No.	Description	Q'ty						I	R	
				(A)	(B)	(C)	(D)	(E)	(F)			
1	1	172B04-61110	GUARD ASSY, FRAME R	1	1						1	
2	2	172444-17620	SEAL	1	1							
4	2	172B04-61140	SPONGE, GUARD R B	1	1							
5	2	172B04-61140	SPONGE, GUARD R B	1	1							
5A	1	172437-03352	LABEL, CYLINDER	1	1							2
6	1	22157-100000	WASHER, 10	2	2							
7	1	26013-100252	BOLT, M10X 25	2	2							

Remarks
 (1)Attach the No.5A label to this part.
 (2)Label is not illustrated.

Fig.76. COVER(TURNING FRAME)(FRONT - LEFT)



(A)=VIO45-6A P(US)
 (B)=VIO45-6A C(US)
 (C)=

(D)=
 (E)=
 (F)=

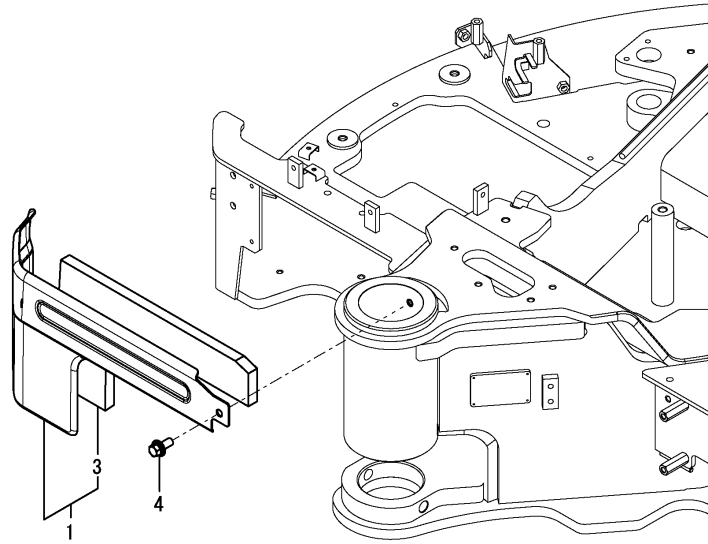
No.	Lev.	Parts No.	Description	Q'ty						I	R
				(A)	(B)	(C)	(D)	(E)	(F)		
1	1	172B04-61210	COVER ASSY, HOSE	1	1						
2	1	172B04-61320	COVER,L T/F	1	1						
3	1	22137-100000	WASHER, 10	2	2						
4	1	26013-100202	BOLT, M10X 20	2	2						
5	1	26014-100252	BOLT, M10X 25	3	3						

Go to Discount-Equipment.com to order your parts

Fig.77. COVER(TURNING FRAME)(FRONT - RIGHT)

(A)=VIO45-6A P(US)
 (B)=VIO45-6A C(US)
 (C)=

(D)=
 (E)=
 (F)=



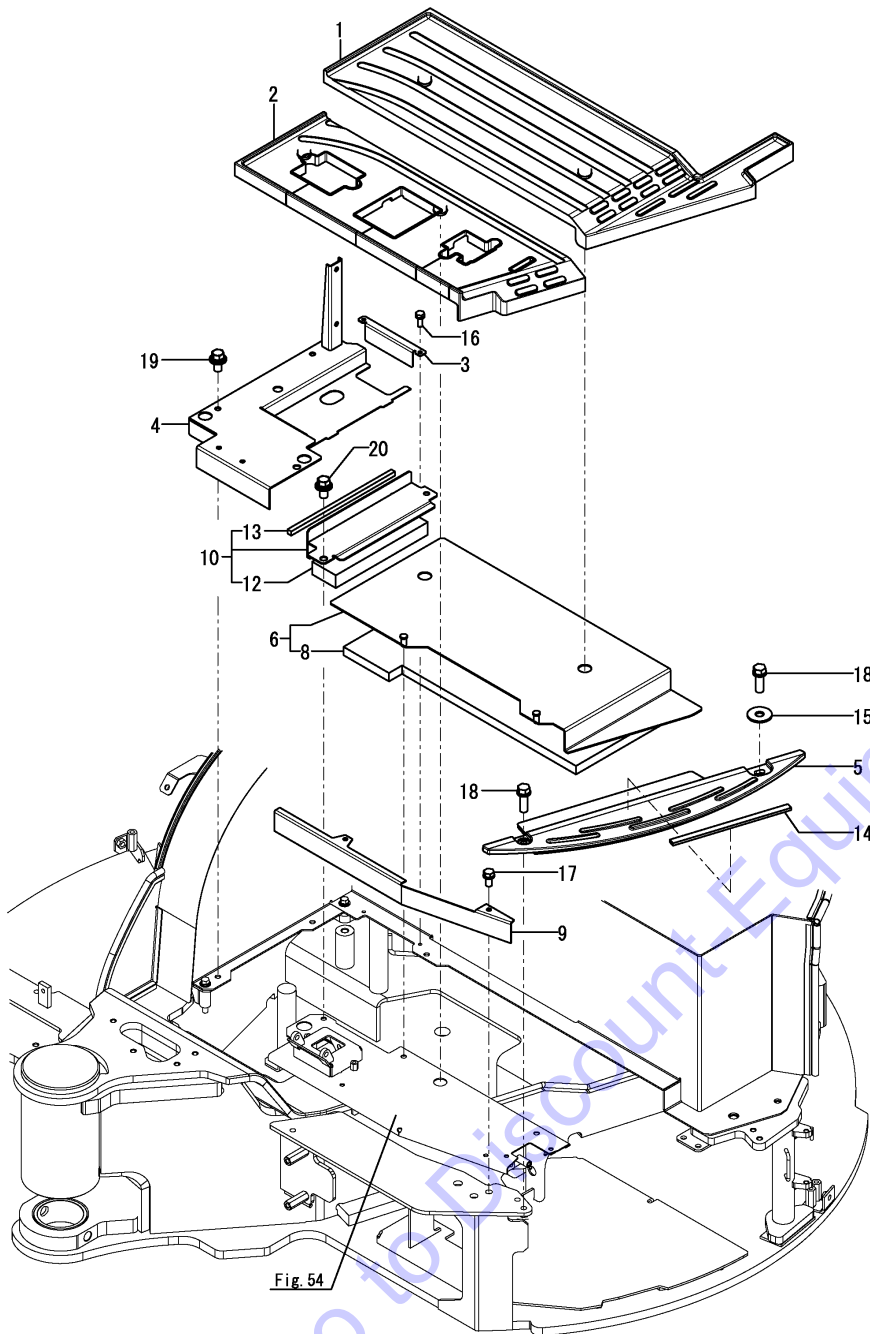
No.	Lev.	Parts No.	Description	Q'ty						I	R
				(A)	(B)	(C)	(D)	(E)	(F)		
1	1	172B04-61370	COVER ASSY,R T/F	1	1						
3	2	172B04-61390	SPONGE, COVER R T/F	1	1						
4	1	26014-100252	BOLT, M10X 25	2	2						

Go to Discount-Equipment.com to order your parts

Fig.78. STEP(CABIN)

(A)=VIO45-6A P(US)
 (B)=VIO45-6A C(US)
 (C)=

(D)=
 (E)=
 (F)=

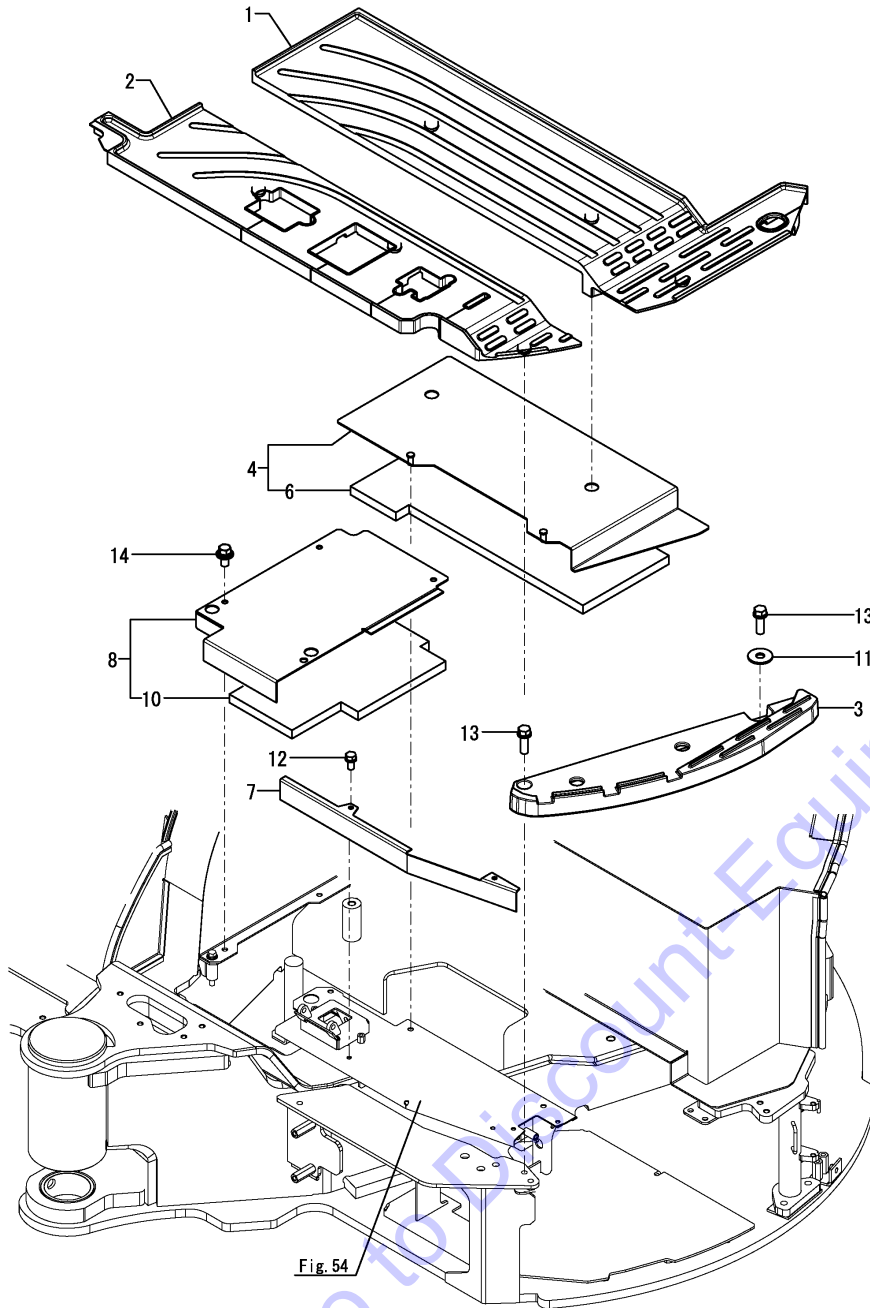


No.	Lev.	Parts No.	Description	Q'ty						I	R
				(A)	(B)	(C)	(D)	(E)	(F)		
1	1	172B03-62150	FLOOR MAT, A CAB		1						
2	1	172B03-62170	FLOOR MAT, B CAB EX		1						
3	1	172B03-62240	PLATE, PARTITION		1						
4	1	172B03-62251	STEP ASSY		1						
5	1	172B03-62520	STEP, NON SLIP		1						
6	1	172B04-62600	STEP ASSY		1						
8	2	172B04-62610	SPONGE, STEP A		1						
9	1	172B03-62750	COVER		1						
10	1	172B04-62850	COVER ASSY, STEP CAB		1						
12	2	172B04-62860	SPONGE, COVER CAB		1						
13	2	172B04-62870	SEAL, STEP COVER CAB		1						
14	1	172538-68450	SHEET, NON SLIP		1						
15	1	22157-100000	WASHER, 10		1						
16	1	26013-060162	BOLT, M6X 16		2						
17	1	26013-080162	BOLT, M8X 16		2						
18	1	26013-100302	BOLT, M10X 30		2						
19	1	26014-100202	BOLT, M10X 20		3						
20	1	26014-100202	BOLT, M10X 20		2						

Fig.79. STEP(CANOPY)

(A)=VIO45-6A P(US)
 (B)=VIO45-6A C(US)
 (C)=

(D)=
 (E)=
 (F)=



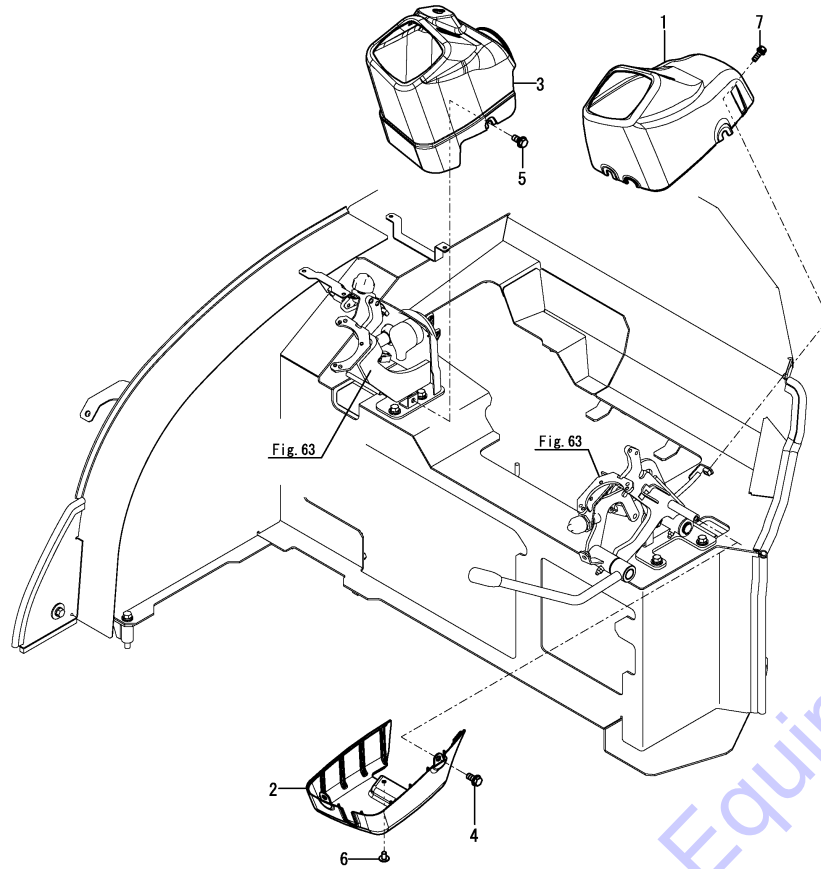
No.	Lev.	Parts No.	Description	Q'ty						I	R
				(A)	(B)	(C)	(D)	(E)	(F)		
1	1	172B03-62100	FLOOR MAT, A P	1							
2	1	172B03-62140	FLOOR MAT, B 4P EX	1							
3	1	172B03-62500	STEP, NON SLIP	1							
4	1	172B04-62600	STEP ASSY	1							
6	2	172B04-62610	SPONGE, STEP A	1							
7	1	172B03-62750	COVER	1							
8	1	172B04-62800	STEP ASSY, R 4P	1							
10	2	172B04-62660	SPONGE, STEP R CNP	1							
11	1	22157-100000	WASHER, 10	1							
12	1	26013-080162	BOLT, M8X 16	2							
13	1	26013-100302	BOLT, M10X 30	2							
14	1	26014-100202	BOLT, M10X 20	4							

OCS10-M59200 AROUND SEAT
Fig.80. COVER(LEVER)

OCS10-M59200 Fig.80

(A)=VIO45-6A P(US)
 (B)=VIO45-6A C(US)
 (C)=

(D)=
 (E)=
 (F)=



No.	Lev.	Parts No.	Description	Q'ty						I	R
				(A)	(B)	(C)	(D)	(E)	(F)		
1	1	172B03-63110	COVER, LEVER	1	1						1
1-1	1	172B03-63610	COVER, LEVER L UP D	1	1						S 4
		(A=MAF001) (B=MAF001)									
2	1	172B03-63120	COVER, LEVER	1	1						2
2-1	1	172B03-63620	COVER, LEVER L LOW D	1	1						S 4
		(A=MAF001) (B=MAF001)									
3	1	172B03-63130	COVER, LEVER	1	1						1
3-1	1	172B03-63630	COVER, LEVER R D	1	1						S 4
		(A=MAF001) (B=MAF001)									
4	1	172519-63240	BOLT	3	3						
4-1	1	172519-63240	BOLT, M8X16	2	2						K
		(A=M6F558) (B=M6F558)									
5	1	172519-63240	BOLT	2	2						
6	1	1A8110-84210	RIVET	1	1						3
6-1	1	1A8060-84280	RIVET, PUSH	1	1						S 5
		(A=MAF001) (B=MAF001)									
7	1	172162-68370	BOLT, M8X12	1	1						W
		(A=M6F558) (B=M6F558)									

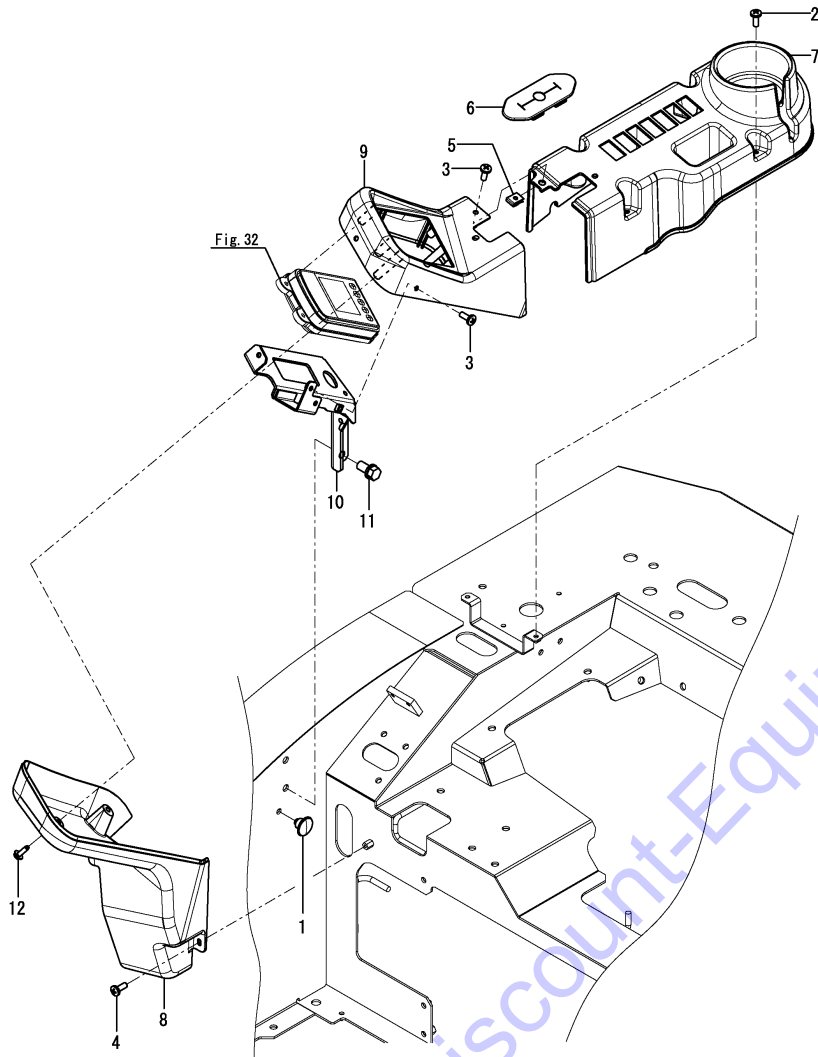
Remarks

- (1)Color = WORM GRAY.
- (2)Color = DARK OLIVE GRAY.
- (3)Color = LIGHT GRAY.
- (4)Color = PANTONE 425C.
- (5)Color = BLACK.

Fig.81. COVER(MONITOR)(CANOPY)

(A)=VIO45-6A P(US)
 (B)=VIO45-6A C(US)
 (C)=

(D)=
 (E)=
 (F)=



No.	Lev.	Parts No.	Description	Q'ty						I	R
				(A)	(B)	(C)	(D)	(E)	(F)		
1	1	172444-17660	CLIP, TREE	1							
2	1	172137-46210	SCREW	4							
3	1	172137-46210	SCREW	3							
4	1	172137-46210	SCREW	1							
5	1	198071-61890	NUT, SPEED M6	1							
6	1	172B03-63050	GROMMET	1							
7	1	172B03-63210	COVER, SWITCH	1							1
7-1	1	172B03-63710	COVER, SWITCH P D	1							S 3
(A=MAF001)											
8	1	172B03-63220	COVER, PANEL	1							2
8-1	1	172B03-63720	COVER, I/P LOW-P D	1							S 4
(A=MAF001)											
9	1	172B03-63270	COVER, PANEL	1							1
9-1	1	172B03-63770	COVER, I/P UP-P D	1							S 3
(A=MAF001)											
10	1	172B03-63500	STAY ASSY, PANEL	1							
10-1	1	172B03-63501	STAY ASSY, INPANE	1							N
(A=M60638)											
11	1	26013-100202	BOLT, M10X 20	2							
12	1	26476-050142	SCREW, TAPPING M5X14	2							

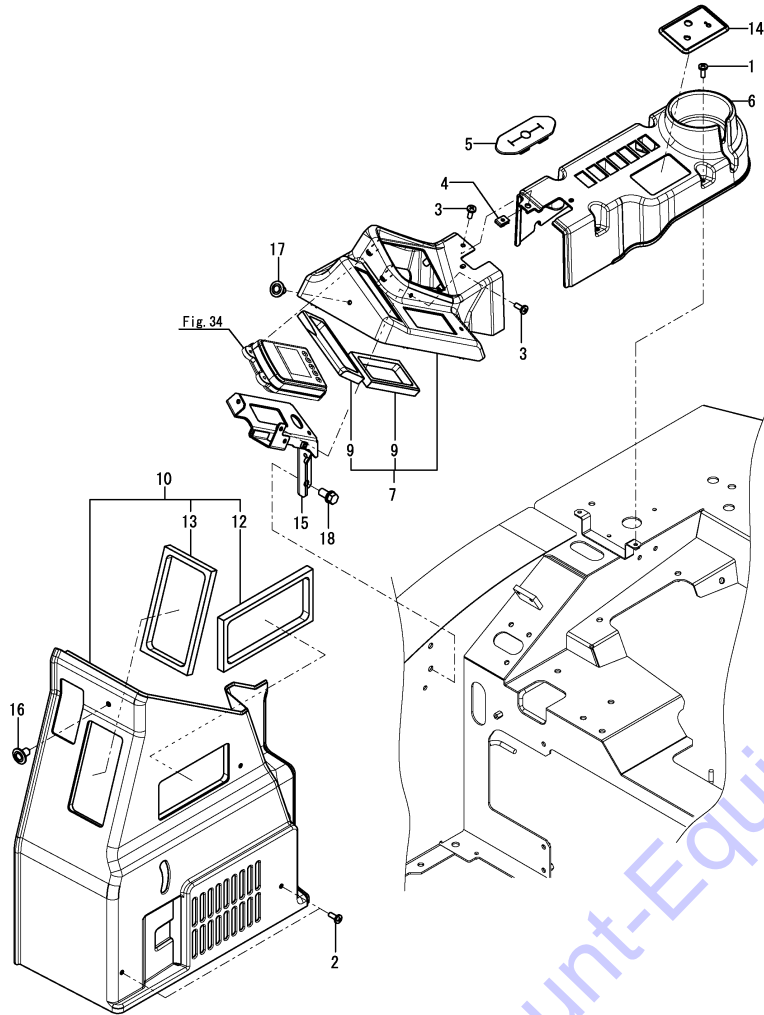
Remarks

- (1)Color = WORM GRAY.
- (2)Color = DARK OLIVE GRAY.
- (3)Color = PANTONE 425C.
- (4)Color = NAVY GRAY.

Fig.82. COVER(MONITOR)(CABIN)(AIR CONDITIONER SPEC.)

(A)=VIO45-6A P(US)
 (B)=VIO45-6A C(US)
 (C)=

(D)=
 (E)=
 (F)=



No.	Lev.	Parts No.	Description	Q'ty						I	R
				(A)	(B)	(C)	(D)	(E)	(F)		
1	1	172137-46210	SCREW		4						
2	1	172137-46210	SCREW		2						
3	1	172137-46210	SCREW		2						
4	1	198071-61890	NUT, SPEED M6		1						
5	1	172B03-63050	GROMMET		1						
6	1	172B03-63200	COVER, SWITCH		1						3
6-1	1	172B03-63700	COVER, SWITCH C D		1						S 5
		(B=MAF001)									
7	1	172B03-63250	COVER ASSY, PANEL		1						3
7-1	1	172B03-63750	COVER ASSY, I/P C D		1						S 5
		(B=MAF001)									
9	2	172B03-63290	SEAL, DUCT		2						
10	1	172B03-63300	COVER ASSY		1						1
10-1	1	172B03-63650	COVER ASSY, AC D		1						S 1
		(B=MAF001)									
12	2	172B03-63320	SEAL, DUCT		1						
13	2	1A7470-87320	SEAL, DUCT SIDE		1						
13A	1	172437-03302	LABEL, MANUAL		1						2
14	1	172B03-63340	PANEL, AC		1						3
14-1	1	172B03-63670	PANEL, AC D		1						S 5
		(B=MAF001)									
15	1	172B03-63500	STAY ASSY, PANEL		1						
15-1	1	172B03-63501	STAY ASSY, INPANE		1						N
		(B=M60638)									
16	1	1A8110-84210	RIVET		2						4
16-1	1	1A8060-84280	RIVET, PUSH		2						S 6
		(B=MBF001)									
17	1	1A8110-84210	RIVET		2						4
17-1	1	1A8060-84280	RIVET, PUSH		2						S 6
		(B=MAF001)									
18	1	26013-100202	BOLT, M10X 20		2						

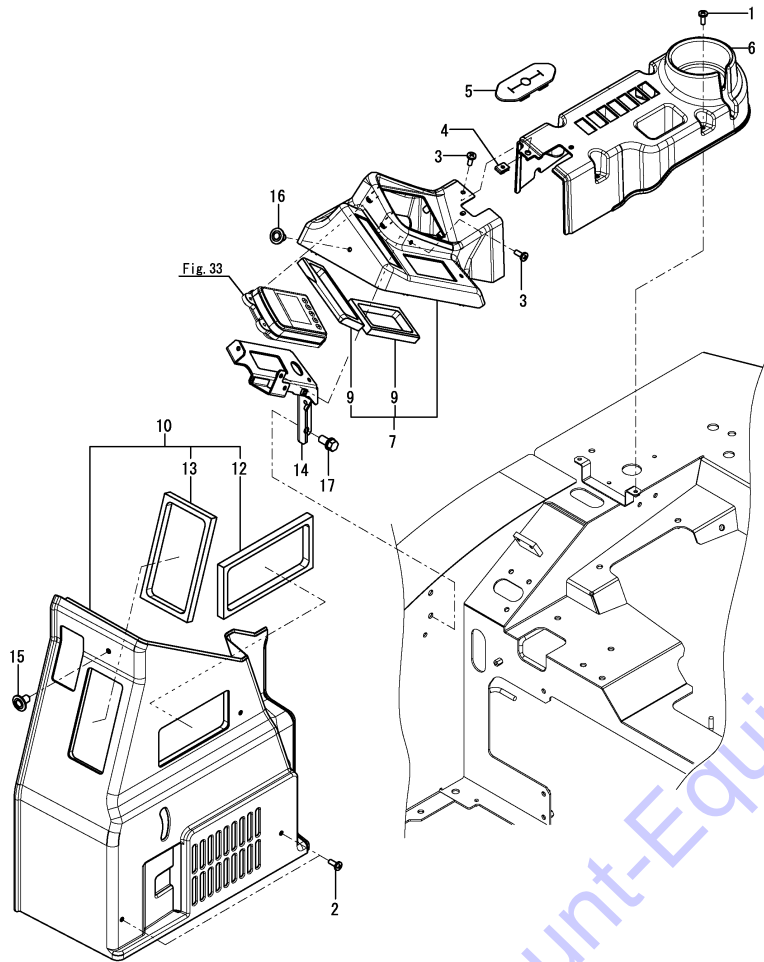
Remarks

- (1) Attach the No.13A label to this part.
- No.10 : Color = DARK OLIVE GRAY.
- No.10-1 : Color = NAVY GRAY.
- (2) Label is not illustrated.
- (3) Color = WORM GRAY.
- (4) Color = LIGHT GRAY.
- (5) Color = PANTONE 425C.
- (6) Color = BLACK.

Fig.83. COVER(MONITOR)(CABIN)(HEATER SPEC.)

(A)=VIO45-6A P(US)
 (B)=VIO45-6A C(US)
 (C)=

(D)=
 (E)=
 (F)=



No.	Lev.	Parts No.	Description	Q'ty						I	R
				(A)	(B)	(C)	(D)	(E)	(F)		
1	1	172137-46210	SCREW		4						
2	1	172137-46210	SCREW		2						
3	1	172137-46210	SCREW		2						
4	1	198071-61890	NUT, SPEED M6		1						
5	1	172B03-63050	GROMMET		1						
6	1	172B03-63210	COVER, SWITCH		1						3
6-1	1	172B03-63710 (B=MAF001)	COVER, SWITCH P D		1						S 5
7	1	172B03-63250	COVER ASSY, PANEL		1						3
7-1	1	172B03-63750 (B=MAF001)	COVER ASSY, I/P C D		1						S 5
9	2	172B03-63290	SEAL, DUCT		2						
10	1	172B03-63300	COVER ASSY		1						1
10-1	1	172B03-63650 (B=MAF001)	COVER ASSY, AC D		1						S 1
12	2	172B03-63320	SEAL, DUCT		1						
13	2	1A7470-87320	SEAL, DUCT SIDE		1						
13A	1	172437-03302	LABEL, MANUAL		1						2
14	1	172B03-63500	STAY ASSY, PANEL		1						
14-1	1	172B03-63501 (B=M60638)	STAY ASSY, INPANE		1						N
15	1	1A8110-84210	RIVET		2						4
15-1	1	1A8060-84280 (B=MAF001)	RIVET, PUSH		2						S 6
16	1	1A8110-84210	RIVET		2						4
16-1	1	1A8060-84280 (B=MAF001)	RIVET, PUSH		2						S 6
17	1	26013-100202	BOLT, M10X 20		2						

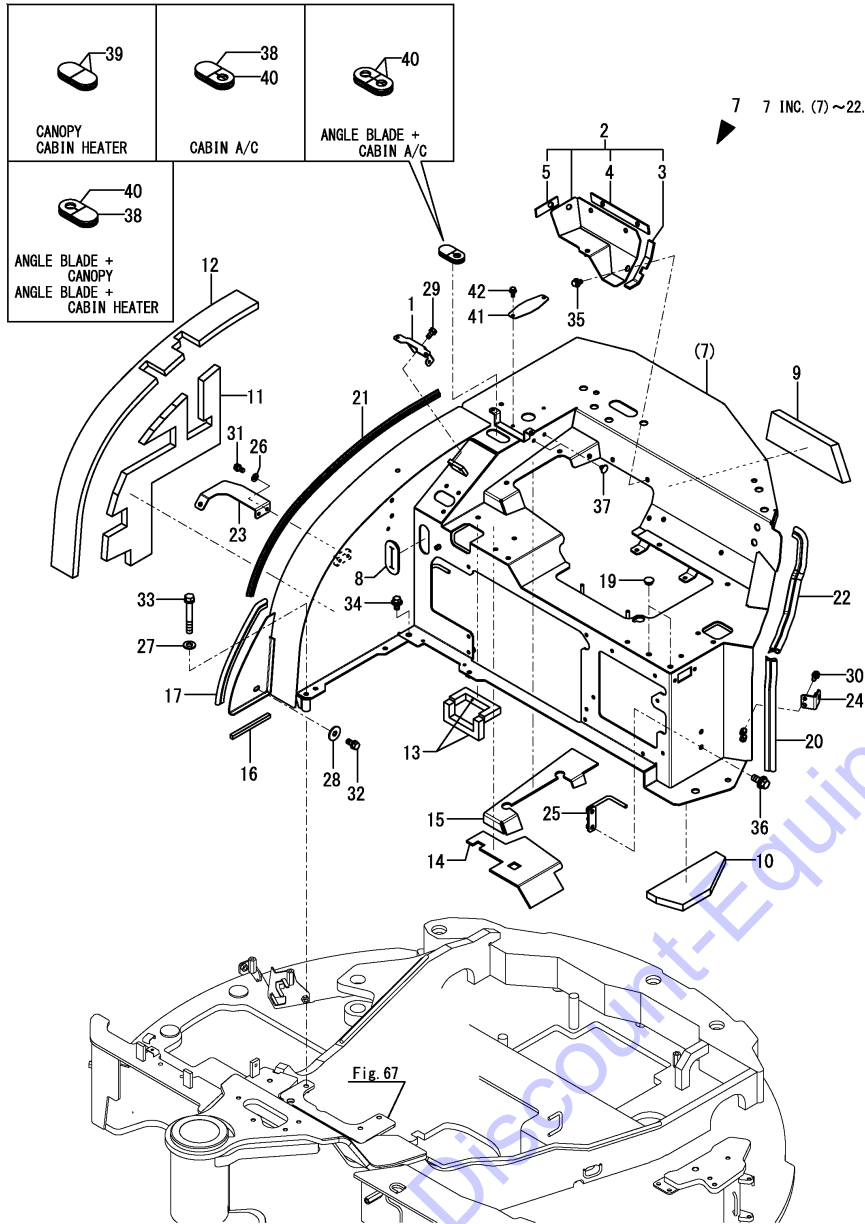
Remarks

- (1) Attach the No.13A label to this part.
- No.10 : Color = DARK OLIVE GRAY.
- No.10-1 : Color = NAVY GRAY.
- (2) Label is not illustrated.
- (3) Color = WORM GRAY.
- (4) Color = LIGHT GRAY.
- (5) Color = PANTONE 425C.
- (6) Color = BLACK.

Fig.84. SEAT MOUNT

(A)=VIO45-6A P(US)
 (B)=VIO45-6A C(US)
 (C)=

(D)=
 (E)=
 (F)=



No.	Lev.	Parts No.	Description	Q'ty						I	R
				(A)	(B)	(C)	(D)	(E)	(F)		
1	1	172B03-63400	STAY ASSY, COVER	1	1						
2	1	172B04-64110	COVER ASSY, REAR	1	1						
3	2	172B04-64120	SEAL, COVER A	1	1						
4	2	172B04-64130	SEAL, COVER B	1	1						
5	2	172B04-64140	SEAL, COVER C	1	1						
7	1	172B04-64200	MOUNT ASSY, SEAT	1	1						1
7-1	1	172B04-64201	MOUNT ASSY, SEAT	1	1						N 1
		(A=M6G598) (B=M6G598)									
8	2	172B03-63450	GROMMET	1	1						
9	2	172B05-64010	SPONGE, REAR	1	1						
10	2	172B05-64020	SPONGE, L	1	1						
11	2	172B05-64030	SPONGE, SIDE	1	1						
12	2	172B05-64040	SPONGE, UP	1	1						
13	2	172B05-64050	SPONGE, PARTITION	2	2						
14	2	172B05-64060	SHEET, INSULATION F	1	1						
15	2	172B05-64070	SHEET, INSULATION R	1	1						
16	2	172B05-64080	SEAL, 10X10X140	1	1						
17	2	172B05-64090	SEAL, 310	1	1						
19	2	172187-64900	PLUG	2	2						
20	2	172141-65330	RUBBER	1	1						
21	2	172183-65530	RUBBER, SEAL	1	1						
22	2	172164-66640	RUBBER, SEAL	1	1						
22A	1	172437-03302	LABEL, MANUAL	1							2
23	1	172B04-64380	STAY ASSY, BONNET B	1	1						
24	1	172B03-64450	STAY ASSY, BONNET	1	1						
25	1	172B03-78050	GUIDE ASSY, HOSE	1	1						
26	1	22137-080000	WASHER, 8	2	2						
27	1	22137-100000	WASHER, 10	1	1						
28	1	22157-100000	WASHER, 10	1	1						
29	1	26013-080162	BOLT, M8X 16	2	2						
30	1	26013-080162	BOLT, M8X 16	2	2						
31	1	26013-080162	BOLT, M8X 16	2	2						
32	1	26013-100202	BOLT, M10X 20	1	1						
33	1	26013-100702	BOLT, M10X 70	1	1						
34	1	26014-100202	BOLT, M10X 20	1	1						
35	1	26014-100202	BOLT, M10X 20	4	4						
36	1	26014-100252	BOLT, M10X 25	2	2						
37	1	172444-17660	CLIP, TREE	2	2						
38	1	172165-62830	GROMMET	1	1						
39	1	172165-62830	GROMMET	2	2						
40	1	172491-62830	GROMMET	1	1						
41	1	172B03-64990	PLATE, COVER	1	1						
42	1	26014-060162	BOLT, M6X 16	2	2						

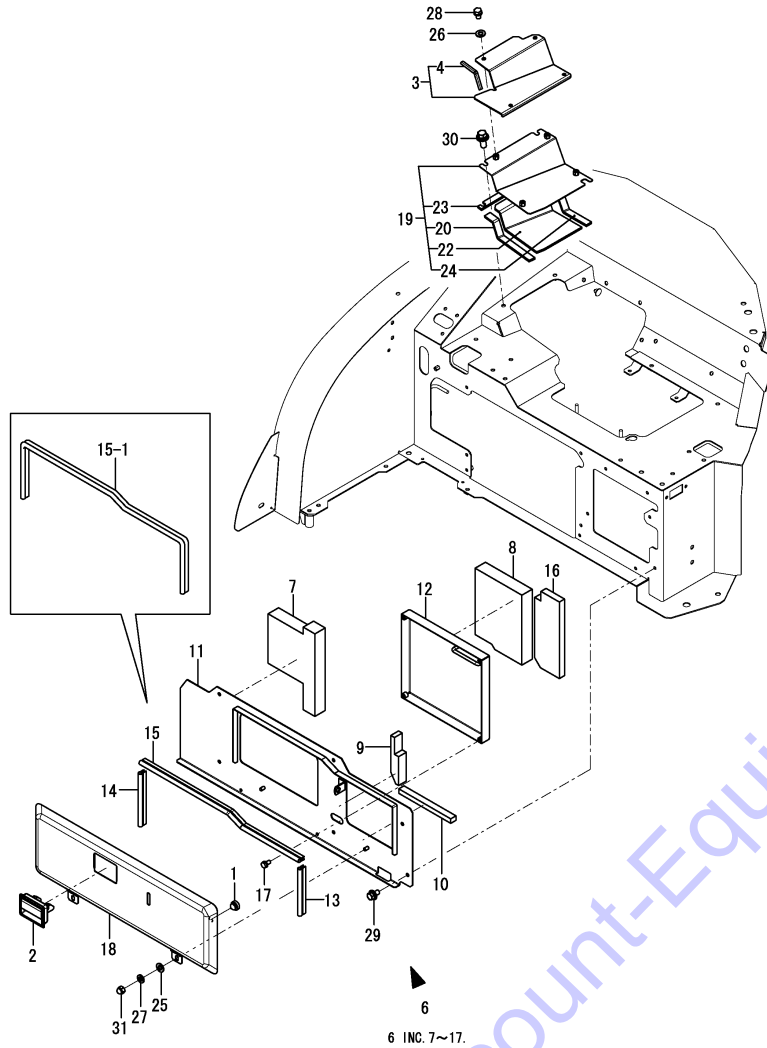
Remarks

- (1) Canopy specification. : Attach the No.22A label to this part.
- (2) Label is not illustrated.

Fig.85. COVER(SEAT MOUNT)

(A)=VIO45-6A P(US)
 (B)=VIO45-6A C(US)
 (C)=

(D)=
 (E)=
 (F)=



No.	Lev.	Parts No.	Description	Q'ty						I	R
				(A)	(B)	(C)	(D)	(E)	(F)		
1	1	1N1730-61190	RUBBER, CONTACT	1	1						
2	1	172187-61421	HANDLE, LOCK	1	1						4
2-1	1	172B02-69040	HANDLE, LOCK BLACK	1	1						S 5
		(A=MAF001) (B=MAF001)									
3	1	172B04-61650	PLATE ASSY, LABEL	1	1						1
4	2	172458-18850	TRIM	1	1						
5A	1	172437-03312	LABEL, SLOPE	1	1						3
5B	1	172437-03471	LABEL, LEVER LOCK	1	1						3
6	1	172B04-64500	COVER ASSY, MANUAL A	1	1						
7	2	172B04-64070	SPONGE, COVER A	1	1						
8	2	172B04-64080	SPONGE, COVER B	1	1						
9	2	172B04-64090	SEAL, COVER M	1	1						
10	2	172B04-64100	SEAL, 200	1	1						
11	2	172B04-64510	COVER ASSY, MANUAL A	1	1						
12	2	172B03-64570	BOX ASSY, MANUAL	1	1						
13	2	172B03-64680	SEAL, 155	1	1						Z
		(A=M60565) (B=M60565)									
14	2	172B03-64690	SEAL, 175	1	1						Z
		(A=M60565) (B=M60565)									
15	2	172A64-64910	SEAL, 600	1	1						
15-1	2	172458-65070	SEAL	1	1						N
		(A=M60565) (B=M60565)									
16	2	172B04-64990	SPONGE, COVER C	1	1						
17	2	26013-060122	BOLT, M6X 12	4	4						
18	1	172B03-64601	COVER ASSY, MANUAL B	1	1						2
18A	1	172472-03141	LABEL, SUPPORT	1	1						3
18B	1	172B03-03410	LABEL, SEAT TILT UP	1	1						3
18C	1	172437-03432	LABEL, STEERING		1						3
18D	1	172437-03601	LABEL, 2-WAY US	1	1						3
19	1	172B04-64650	COVER ASSY, ENG	1	1						
20	2	172458-63650	SEAL, SPONGE	1	1						
22	2	172B04-64670	SHEET, INSULATION	1	1						
23	2	172B04-64680	SEAL, COVER ENG	1	1						
24	2	172B04-64690	SEAL, 220	1	1						
25	1	22137-080000	WASHER, 8	2	2						
26	1	22137-080000	WASHER, 8	4	4						
27	1	22217-080000	WASHER, SPRING 8	2	2						
28	1	26013-080122	BOLT, M8X 12	4	4						
29	1	26014-080162	BOLT, M8X 16	6	6						
30	1	26014-100252	BOLT, M10X 25	2	2						
30-1	1	26014-100202	BOLT, M10X 20	2	2						N
		(A=*2014.03.) (B=*2014.03.)									
31	1	26657-080002	NUT, CAP M8	2	2						

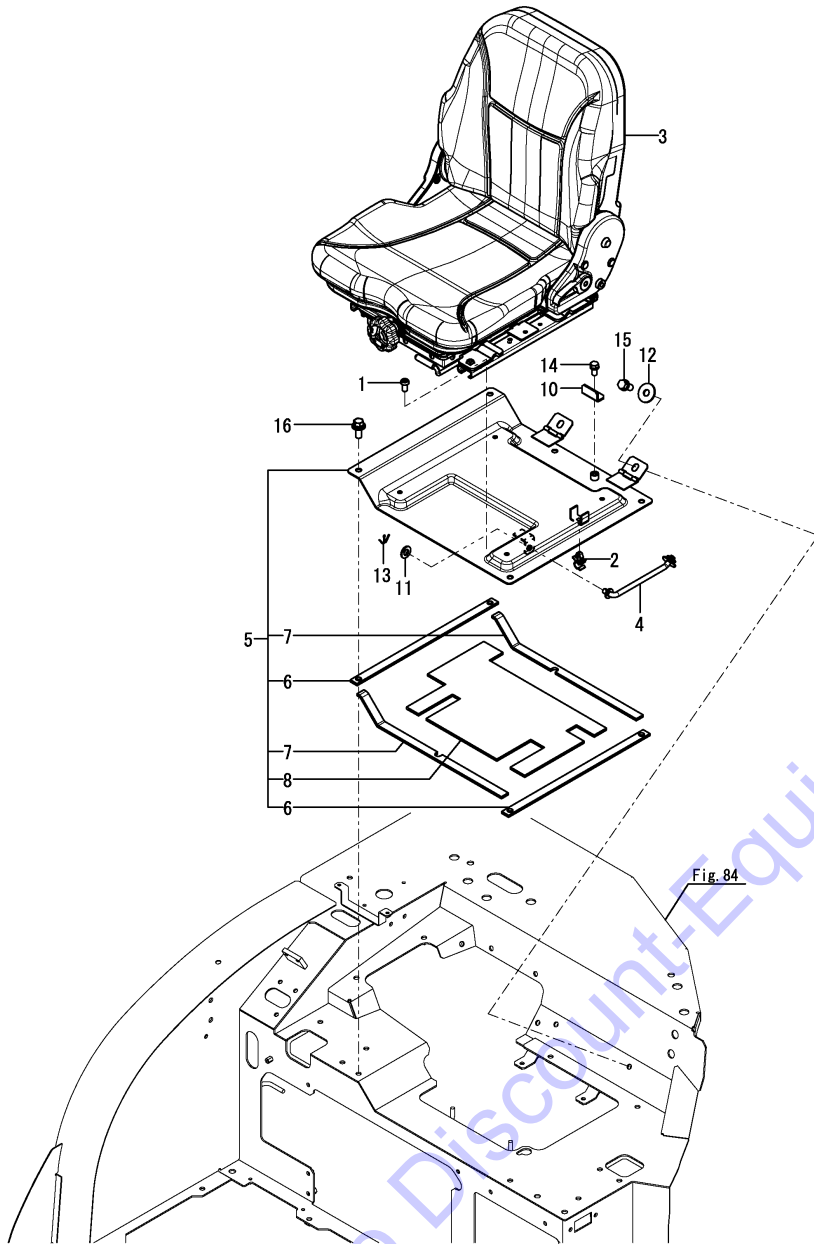
Remarks

- (1) Attach the No.5A & 5B label to this part.
- (2) Please use this part with following label at the same time.
 Canopy specification. : No.18A, 18B & 18D .
 Cabin specification. : No.18A, 18B, 18C & 18D .
- (3) Label is not illustrated.
- (4) Color = DARK OLIVE GRAY.
- (5) Color = BLACK.

Fig.86. SEAT

(A)=VIO45-6A P(US)
 (B)=VIO45-6A C(US)
 (C)=

(D)=
 (E)=
 (F)=



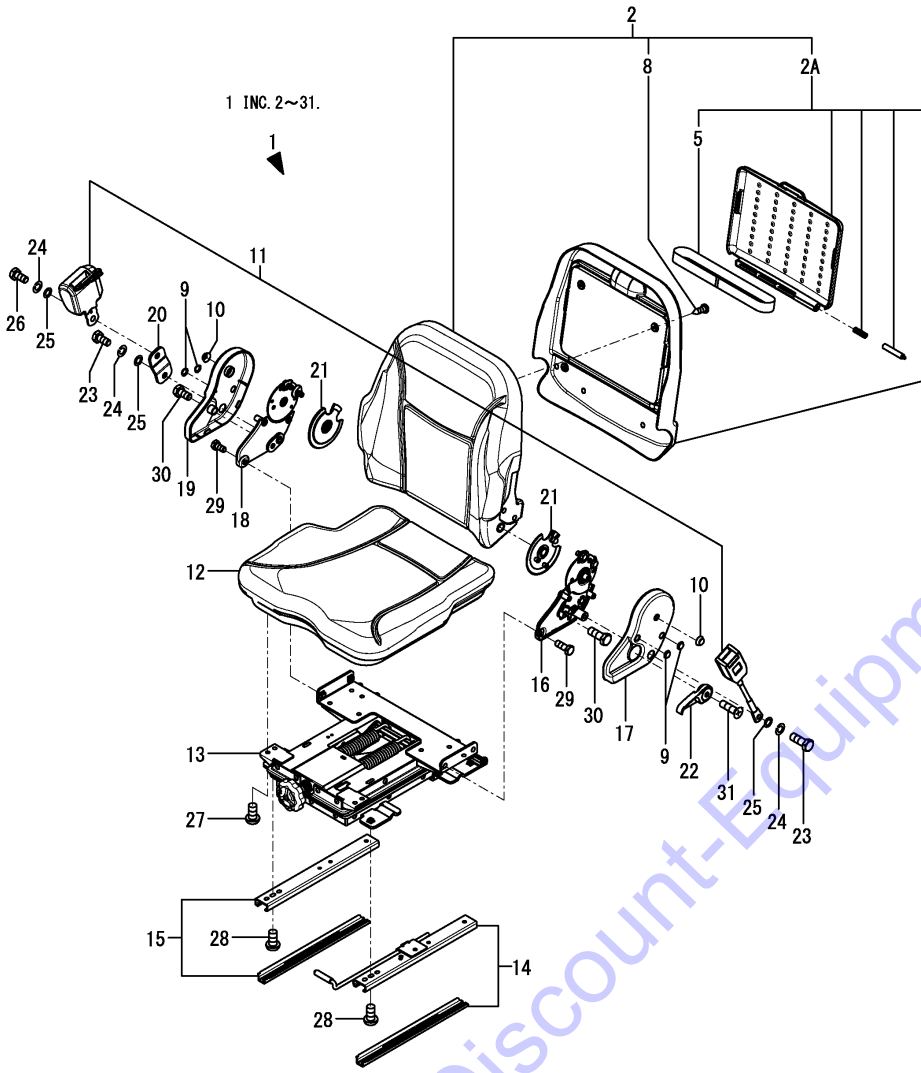
No.	Lev.	Parts No.	Description	Q'ty						I	R
				(A)	(B)	(C)	(D)	(E)	(F)		
1	1	172455-61710	BOLT M 8X 16	4	4						
2	1	1A7610-62250	HOLDER, ROD 10	1	1						
3	1	172B02-64800	SEAT ASSY,SUS	1	1						1
4	1	172B03-64831	ROD ASSY, STOPPER	1	1						
5	1	172B04-64850	PLATE ASSY, SEAT SUS	1	1						
6	2	172B04-64010	SEAL, SEAT A	2	2						
7	2	172B03-64020	SEAL, SEAT	2	2						
8	2	172B04-64030	SHEET, INSULATION	1	1						
10	1	172B03-64960	PLATE, STOPPER	1	1						
11	1	22137-100000	WASHER, 10	1	1						
12	1	22157-100000	WASHER, 10	2	2						
13	1	22417-200200	PIN, COTTER 2.0X20	1	1						
14	1	26013-080162	BOLT, M8X 16	1	1						
15	1	26013-100202	BOLT, M10X 20	2	2						
16	1	26014-100252	BOLT, M10X 25	5	5						

Remarks
 (1) Inner parts are shown in Fig.87.

Fig.87. SEAT(INNER PARTS)

(A)=VIO45-6A P(US)
 (B)=VIO45-6A C(US)
 (C)=

(D)=
 (E)=
 (F)=



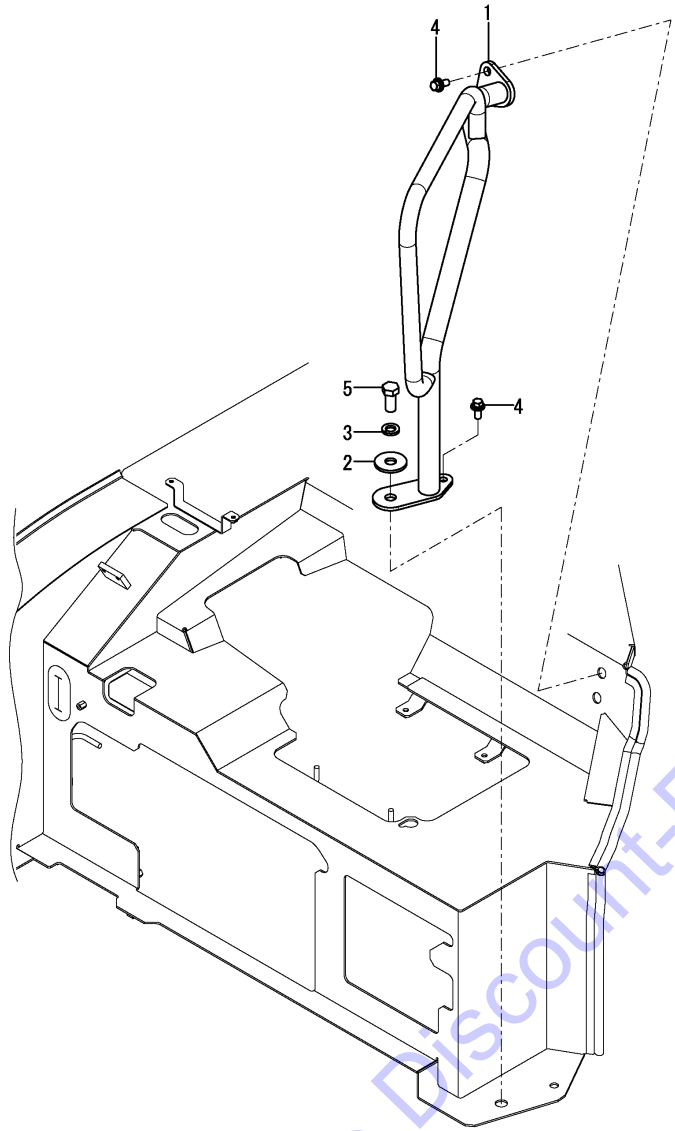
No.	Lev.	Parts No.	Description	Q'ty						I	R
				(A)	(B)	(C)	(D)	(E)	(F)		
1	1	172B02-64800	SEAT ASSY,SUS	1	1						
2	2	172B02-64210	SEAT ASSY, BACK	1	1						
2A	3	172B02-64270	BOX ASSY,MANUAL	1	1						W
5	4	172A89-64950	BAND	1	1						
8	3	22859-500160	SCREW, 5X16	4	4						
8-1	3	22859-500200	SCREW, 5.0 X 20	4	4						N
9	2	172B02-64250	CAP	4	4						
10	2	172B02-64260	CAP	2	2						
11	2	172A89-64740	SEAT BELT ASSY	1	1						
12	2	172A89-64780	SEAT, CUSHION	1	1						
13	2	172A89-64790	SEAT, SPRING	1	1						
14	2	172A89-64800	RAIL ASSY, TL	1	1						
15	2	172A89-64810	RAIL ASSY, TR	1	1						
16	2	172A89-64820	HINGE ASSY	1	1						
17	2	172A89-64830	COVER	1	1						
18	2	172A89-64840	HINGE ASSY	1	1						
19	2	172A89-64850	COVER	1	1						
20	2	172A89-64860	BRACKET ASSY	1	1						
21	2	172A89-64870	COVER	2	2						
22	2	172A89-64880	LEVER	1	1						
23	2	172A89-64890	BOLT	2	2						
24	2	172A89-64900	SPRING	3	3						
25	2	172A89-64910	WASHER	3	3						
26	2	172A89-64920	BOLT	1	1						
27	2	26106-080162	BOLT, M8X 16 PLATED	4	4						
28	2	26106-080162	BOLT, M8X 16 PLATED	4	4						
29	2	26106-100162	BOLT, M10X 16 PLATED	6	6						
30	2	26106-100252	BOLT, M10X 25 PLATED	2	2						
31	2	26559-050202	SCREW, M5X20	1	1						

Go to Discount-Equipment.com for your parts

Fig.88. HANDRAIL(LEFT)

(A)=VIO45-6A P(US)
 (B)=VIO45-6A C(US)
 (C)=

(D)=
 (E)=
 (F)=



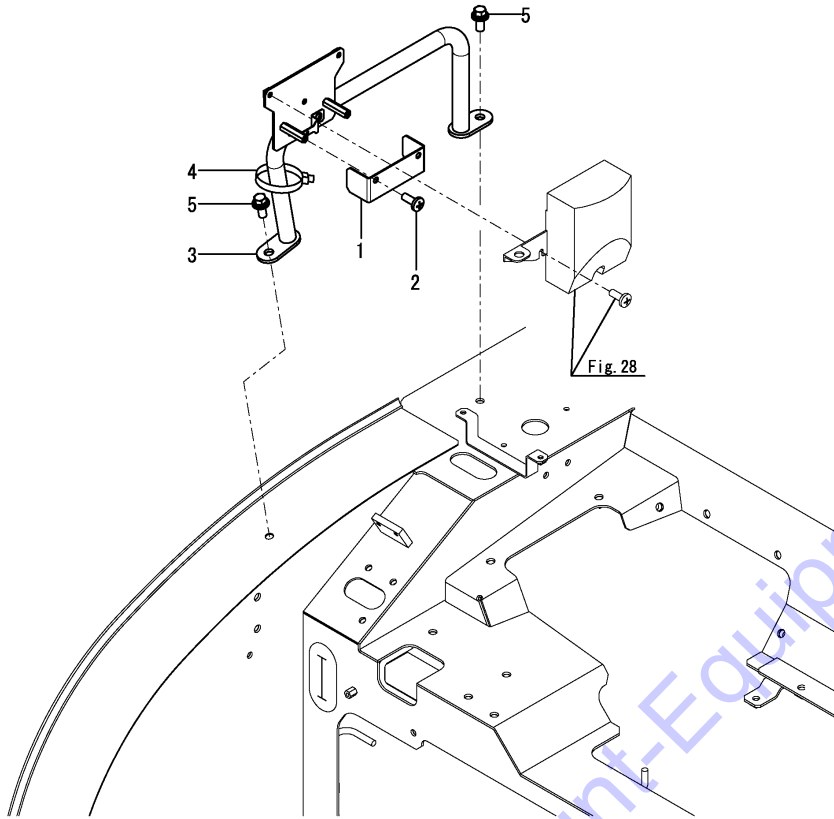
No.	Lev.	Parts No.	Description	Q'ty						I	R
				(A)	(B)	(C)	(D)	(E)	(F)		
1	1	172B03-64700	HANDRAIL ASSY	1							
2	1	22157-160000	WASHER, 16	1							
3	1	22217-160000	WASHER, SPRING 16	1							
4	1	26014-100252	BOLT, M10X 25	3							
5	1	26116-160352	BOLT, M16X 35 PLATED	1							

Fig.89. HANDRAIL(RIGHT)

(A)=VIO45-6A P(US)
 (B)=VIO45-6A C(US)
 (C)=

(D)=
 (E)=
 (F)=

No.	Lev.	Parts No.	Description	Q'ty						I	R
				(A)	(B)	(C)	(D)	(E)	(F)		
1	1	172B03-17990	COVER, CONNECTOR	1							
2	1	172137-46210	SCREW	2							
3	1	172B03-64780	HANDRAIL ASSY	1							
4	1	172122-79940	CLIP, HOSE	1							
5	1	26014-100252	BOLT, M10X 25	2							

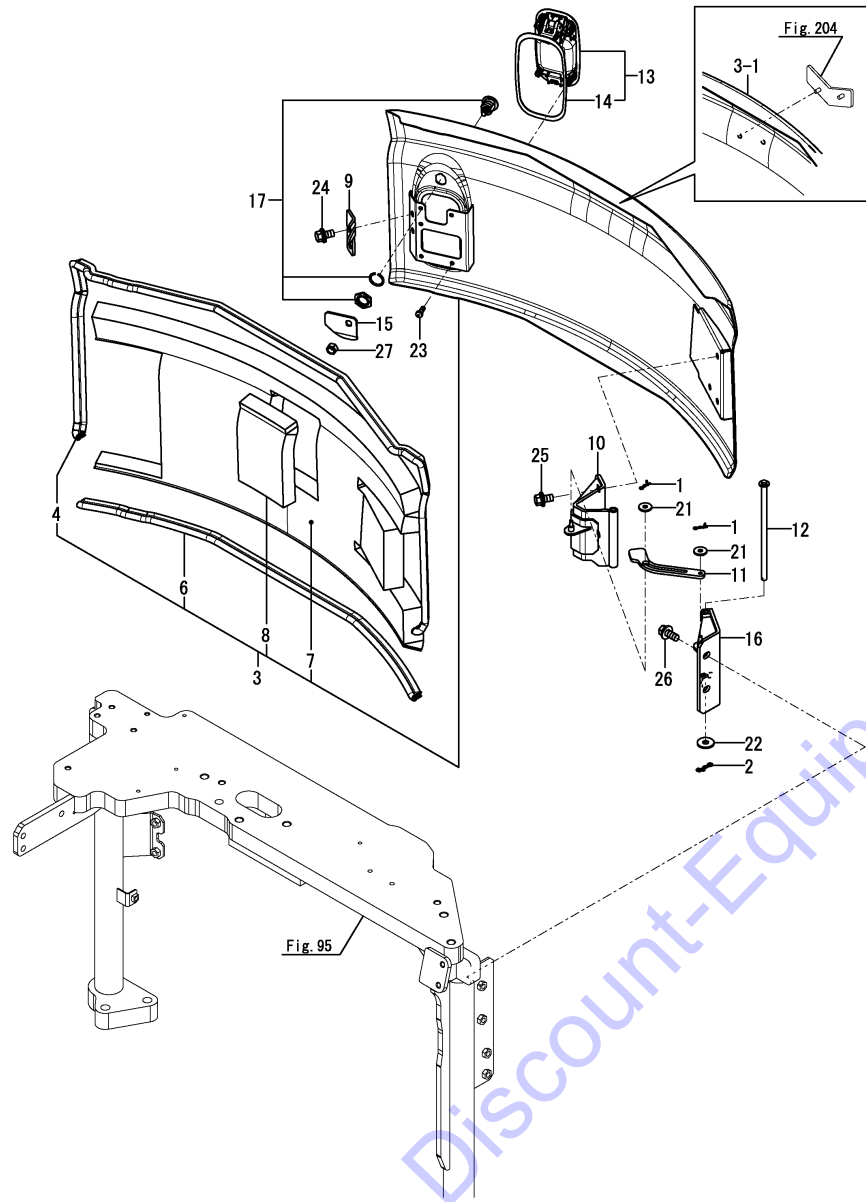


Go to Discount-Equipment.com to order your parts

Fig.90. BONNET(REAR)

(A)=VIO45-6A P(US)
 (B)=VIO45-6A C(US)
 (C)=

(D)=
 (E)=
 (F)=



No.	Lev.	Parts No.	Description	Q'ty						I	R
				(A)	(B)	(C)	(D)	(E)	(F)		
1	1	1C6281-52310	PIN, SNAP 6	2	2						
2	1	1C6281-52320	PIN, SNAP 8	1	1						
3	1	172B04-65100	BONNET ASSY, A	1	1						1
3-1	1	172B05-65100 (A=MAF001) (B=MAF001)	BONNET ASSY, A-FY	1	1						S 1
4	2	172A46-13780	SEAL	1	1						
6	2	172B04-65190	SEAL, 980	1	1						
7	2	172B04-65340	SPONGE, BONNET A A	1	1						
8	2	172B04-65350	SPONGE, BONNET A B	1	1						
8A	1	172437-03381	LABEL, SWING AREA	1	1						2
8B	1	172437-03402	LABEL, ENGINE COVER	1	1						2
8C	1	172A36-03411	LABEL, ENGINE ROOM	1	1						2
9	1	172B03-65170	GUIDE, BONNET	1	1						
10	1	172B04-65201	HINGE ASSY, B	1	1						
11	1	172B04-65290	GUIDE, BON.A LOCK	1	1						
12	1	172B04-65300	SHAFT ASSY, HINGE	1	1						
13	1	172B03-65310	HANDLE, LOCK	1	1						
14	2	172B02-65350	SEAL	1	1						
15	1	172B04-65390	PLATE, KEY LOCK	1	1						
16	1	172B04-65950	HINGE ASSY, A	1	1						
17	1	172B03-66170	CYLINDER ASSY, KEY	1	1						
21	1	22157-060000	WASHER, 6	2	2						
22	1	22157-080000	WASHER, 8	1	1						
23	1	22857-600160	SCREW, 6X16	4	4						
24	1	26014-100202	BOLT, M10X 20	2	2						
25	1	26014-100252	BOLT, M10X 25	2	2						
26	1	26014-100252	BOLT, M10X 25	2	2						
27	1	26347-100002	NUT, M10	1	1						

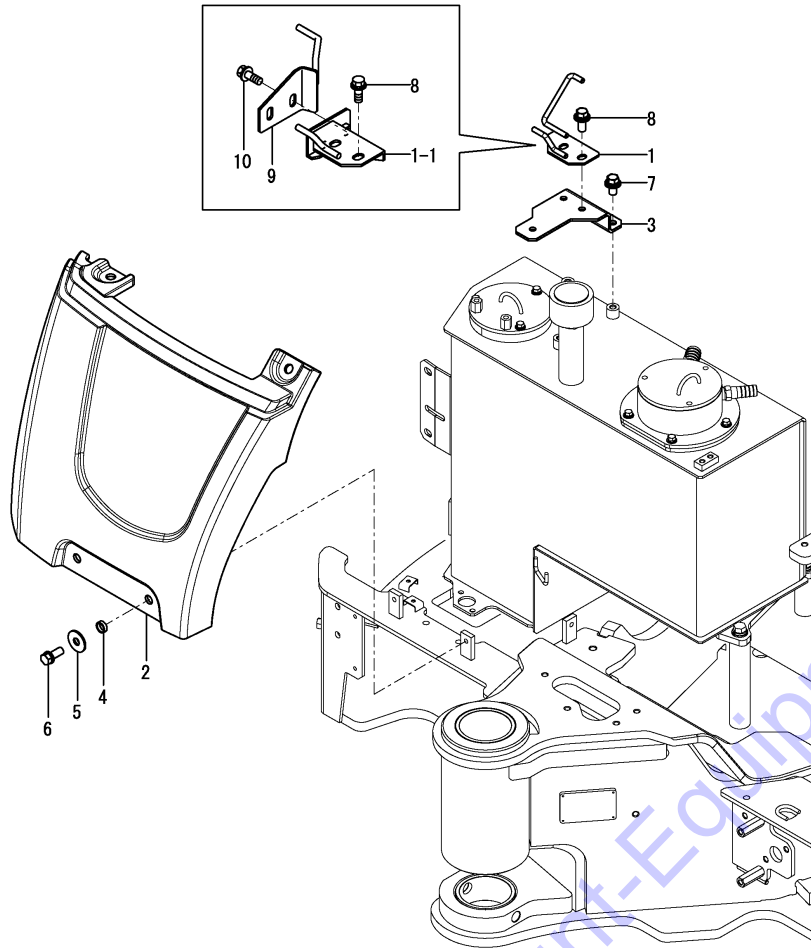
Remarks

- (1) Attach the No.8A, 8B & 8C label to this part.
- (2) Label is not illustrated.

Fig.91. BONNET(FRONT)

(A)=VIO45-6A P(US)
 (B)=VIO45-6A C(US)
 (C)=

(D)=
 (E)=
 (F)=



No.	Lev.	Parts No.	Description	Q'ty						I	R
				(A)	(B)	(C)	(D)	(E)	(F)		
1	1	172B04-61850	LOCK ASSY, COVER B	1	1						
1-1	1	172B04-61851	LOCK ASSY, COVER B	1	1						S 1
		(A=*2013.10) (B=*2013.10)									
2	1	172B04-65410	BONNET, B BLACK	1	1						
3	1	172B04-65450	STAY ASSY, BONNET B	1	1						
4	1	172A47-65550	COLLAR	4	4						
5	1	22157-100000	WASHER, 10	4	4						
6	1	26013-100252	BOLT, M10X 25	4	4						
7	1	26014-100202	BOLT, M10X 20	2	2						
8	1	26014-100252	BOLT, M10X 25	2	2						
9	1	172B04-61600	LOCK ASSY,KEY	1	1						W
		(A=*2013.10) (B=*2013.10)									
10	1	26014-100252	BOLT, M10X 25	2	2						W
		(A=*2013.10) (B=*2013.10)									

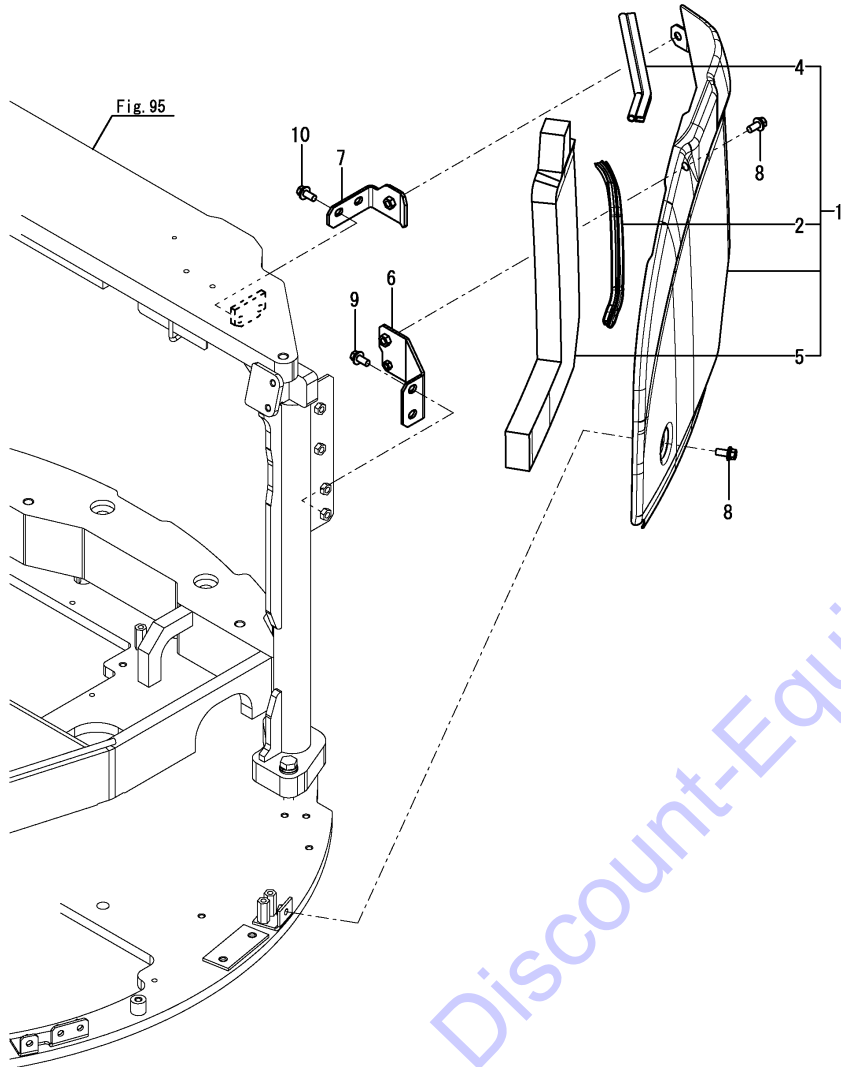
Remarks
 (1)No.9, 10 & Fig.70 No.4-1 interchangeable by set.

Fig.92. BONNET(LEFT)

(A)=VIO45-6A P(US)
 (B)=VIO45-6A C(US)
 (C)=

(D)=
 (E)=
 (F)=

No.	Lev.	Parts No.	Description	Q'ty						I	R
				(A)	(B)	(C)	(D)	(E)	(F)		
1	1	172B04-65600	BONNET ASSY, L	1	1						
2	2	172186-13660	RUBBER	1	1						
4	2	172B04-65650	SEAL, 290	1	1						
5	2	172B04-65670	SPONGE, BONNET L A	1	1						
6	1	172B04-65700	STAY ASSY, BON.L LOW	1	1						
7	1	172B04-65730	STAY ASSY, BON.L UP	1	1						
8	1	26014-100252	BOLT, M10X 25	3	3						
9	1	26014-100252	BOLT, M10X 25	2	2						
10	1	26014-100252	BOLT, M10X 25	2	2						

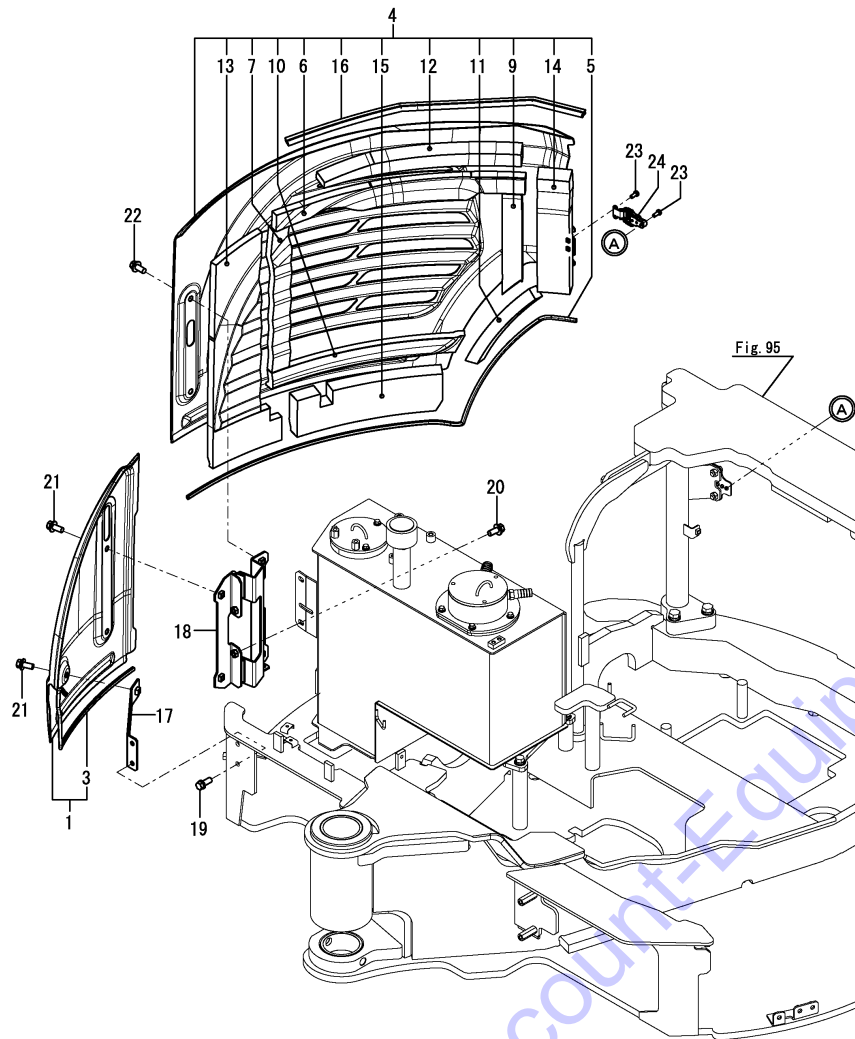


Go to Discount-Equipment.com to order your parts

Fig.93. BONNET(RIGHT)

(A)=VIO45-6A P(US)
 (B)=VIO45-6A C(US)
 (C)=

(D)=
 (E)=
 (F)=



No.	Lev.	Parts No.	Description	Q'ty						I	R
				(A)	(B)	(C)	(D)	(E)	(F)		
1	1	172B04-65800	BONNET ASSY,R FRONT	1	1						
3	2	172B05-65910	SEAL, 640	1	1						
4	1	172B04-65820	BONNET ASSY,R RR	1	1						1
5	2	172538-61250	SEAL, 1250	1	1						
6	2	172B05-65810	SEAL, A BON.R	1	1						
7	2	172B05-65820	SEAL, B BON.R	1	1						
9	2	172B05-65830	SEAL, C BON.R	1	1						
10	2	172B05-65840	SEAL, D BON.R	1	1						
11	2	172B05-65851	SEAL, E BON.R	1	1						
12	2	172B05-65860	SPONGE, A BON.R	1	1						
13	2	172B05-65870	SPONGE, B BON.R	1	1						
14	2	172B05-65880	SPONGE, C BON.R	1	1						
15	2	172B05-65890	SPONGE, D BON.R	1	1						
16	2	172B05-65930	SEAL, 765	1	1						
16A	1	172437-03322	LABEL, RESEVOIR	1	1						2
17	1	172B04-65900	STAY ASSY, BONNET RF	1	1						
18	1	172B03-65950	HINGE ASSY, BON. R	1	1						
19	1	26013-100252	BOLT, M10X 25	2	2						
20	1	26014-100252	BOLT, M10X 25	2	2						
21	1	26014-100252	BOLT, M10X 25	3	3						
22	1	26014-100252	BOLT, M10X 25	2	2						
23	1	26557-050122	SCREW, M5X12	5	5						
24	1	933171-18750	CLIP, CATCH	1	1						

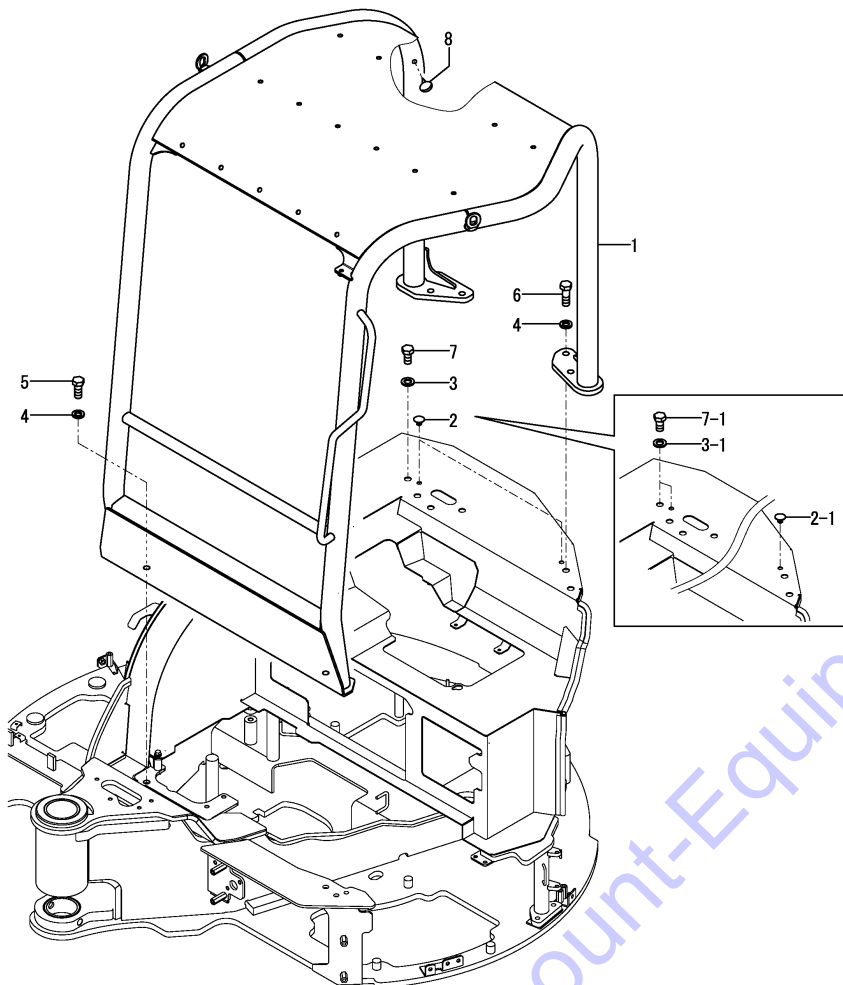
Remarks

- (1)Attach the No.16A label to this part.
- (2)Label is not illustrated.

Fig.94. CANOPY

(A)=VIO45-6A P(US)
 (B)=VIO45-6A C(US)
 (C)=

(D)=
 (E)=
 (F)=



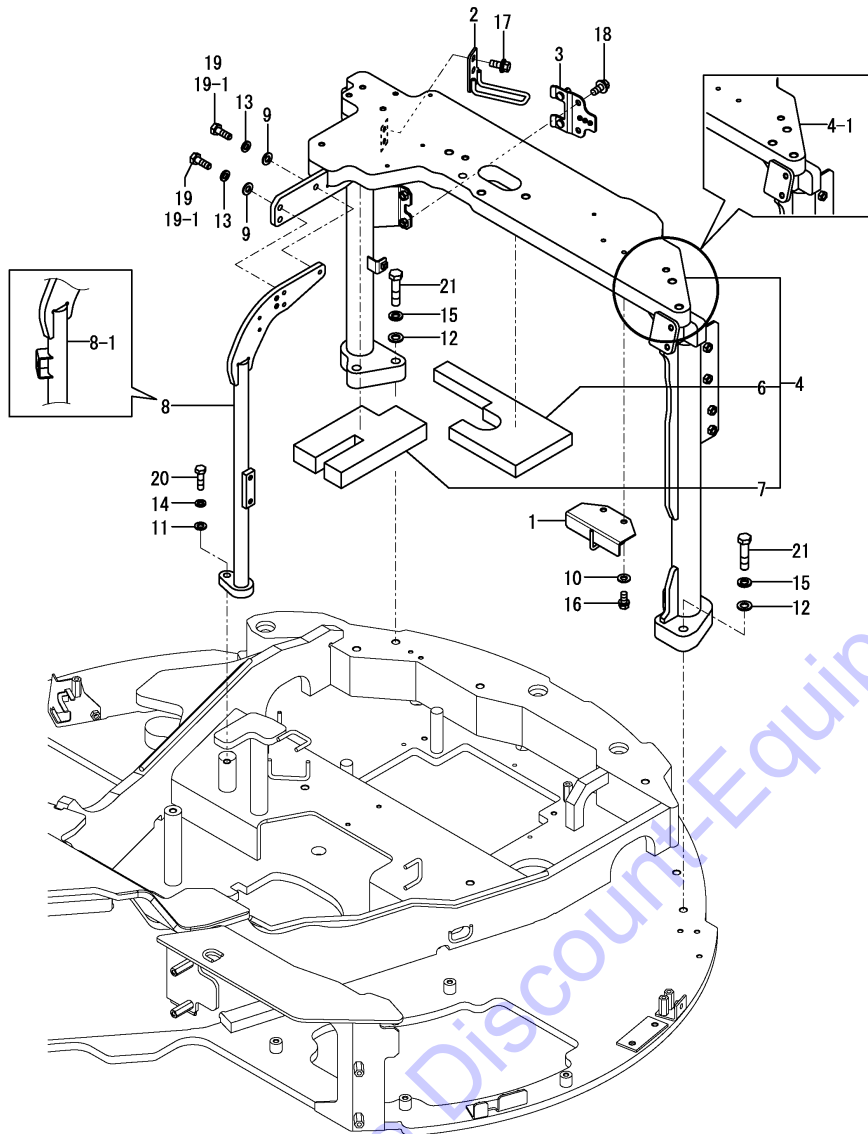
No.	Lev.	Parts No.	Description	Q'ty						I	R
				(A)	(B)	(C)	(D)	(E)	(F)		
1	1	172B03-66300	CANOPY ASSY, ROPS	1							1
1A	1	172472-03241	LABEL, PIN US	1							2
1B	1	172437-03343	LABEL, TRANSPORT	1							2
1C	1	172437-03372	LABEL, NEUTRAL	1							2
1D	1	172437-03432	LABEL, STEERING	1							2
1E	1	172437-03451	LABEL, SEAT BELT	1							2
1F	1	172B04-03480	LABEL, LIFT EX	1							2
1G	1	172437-03441	LABEL, ROPS	1							2
1H	1	172B03-04400	LABEL, WARNING HITCH	1							2
1I	1	172B03-04410	LABEL, SAND US	1							2
1J	1	172A79-03220	LABEL, WARNING ANGLE	1							2
1K	1	172B04-03680	LABEL, LIFT ANGLE	1							2
2	1	172176-68210	CLIP, TREE	2							
2-1	1	172176-68210	CLIP, TREE D25XL15	1							K
(A=M6G598)											
3	1	22137-160000	WASHER, 16	1							
3-1	1	22137-160000	WASHER, 16	2							K
(A=M6G598)											
4	1	22217-160000	WASHER, SPRING 16	6							
5	1	26076-160402	BOLT, 10.916X 40	2							
6	1	26076-160502	BOLT, 10.916X 50	4							
7	1	26116-160302	BOLT, M16X 30 PLATED	1							
7-1	1	26116-160302	BOLT, M16X 30 PLATED	2							K
(A=M6G598)											
8	1	1E8080-78890	PLUG 14,BLIND	1							W
(A=M60539)											

Remarks
 (1) Please use this part with following labels at the same time.
 Standard specification : No.1A, 1B, 1C, 1D, 1E, 1F, 1G, 1H & 1I.
 Angle blade specification : No.1A, 1B, 1C, 1D, 1E, 1G, 1H, 1I, 1J & 1K.
 (2) Label is not illustrated.

Fig.95. CANOPY MOUNT

(A)=VIO45-6A P(US)
 (B)=VIO45-6A C(US)
 (C)=

(D)=
 (E)=
 (F)=



No.	Lev.	Parts No.	Description	Q'ty						I	R
				(A)	(B)	(C)	(D)	(E)	(F)		
1	1	172B04-17350	BRACKET ASSY,HNS MNT	1	1						
2	1	172B03-65350	CATCH ASSY, BONNET	1	1						
3	1	172B03-65920	BRACKET ASSY,BON.R	1	1						
4	1	172B04-67500	MOUNT ASSY,A CANOPY	1	1						
4-1	1	172B04-67501	MOUNT ASSY,A CANOPY	1	1						S 1
		(A=M6G598) (B=M6G598)									
6	2	172B04-67780	SPONGE, MOUNT A	1	1						
7	2	172B04-67790	SPONGE, MOUNT B	1	1						
8	1	172B04-67810	MOUNT ASSY, B	1	1						
8-1	1	172B04-67811	MOUNT ASSY, B	1	1						S
		(A=M60533) (B=M60533)									
9	1	22137-100000	WASHER, 10	3	3						
10	1	22137-100000	WASHER, 10	2	2						
11	1	22137-120000	WASHER, 12	1	1						
12	1	22137-160000	WASHER, 16	4	4						
13	1	22217-100000	WASHER, SPRING 10	3	3						
14	1	22217-120000	WASHER, SPRING 12	1	1						
15	1	22217-160000	WASHER, SPRING 16	4	4						
16	1	26013-100202	BOLT, M10X 20	2	2						
17	1	26014-100252	BOLT, M10X 25	2	2						
18	1	26014-100252	BOLT, M10X 25	2	2						
19	1	26076-100302	BOLT, 10.910X 30	3	3						
19-1	1	26076-100352	BOLT, 10.910X 35	3	3						S
		(A=M6G598) (B=M6G598)									
20	1	26076-120452	BOLT, 10.912X 45	1	1						
21	1	26076-160702	BOLT, 10.916X 70	4	4						

Remarks

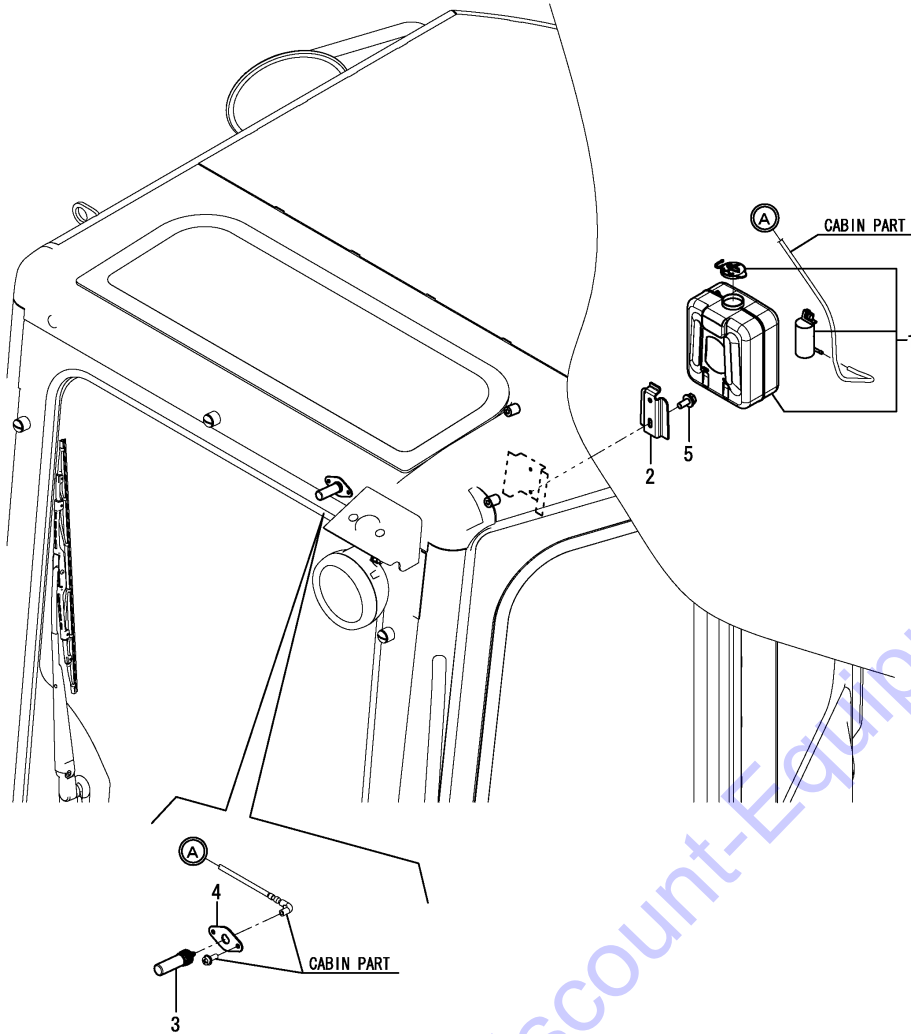
(1)Interchangeable by simultaneous replacement with No.19-1.

N:Old $\xrightarrow{\text{Yes}}$ New, Q:Old $\xrightarrow{\text{No}}$ New, R:Old $\xrightarrow{\text{Yes}}$ New, S:Old $\xrightarrow{\text{No}}$ New, W:Add, Z:Discontinued, F:Interchangeable by set, K:Q'ty Change

Fig.96. WINDOW WASHER

(A)=VIO45-6A P(US)
 (B)=VIO45-6A C(US)
 (C)=

(D)=
 (E)=
 (F)=



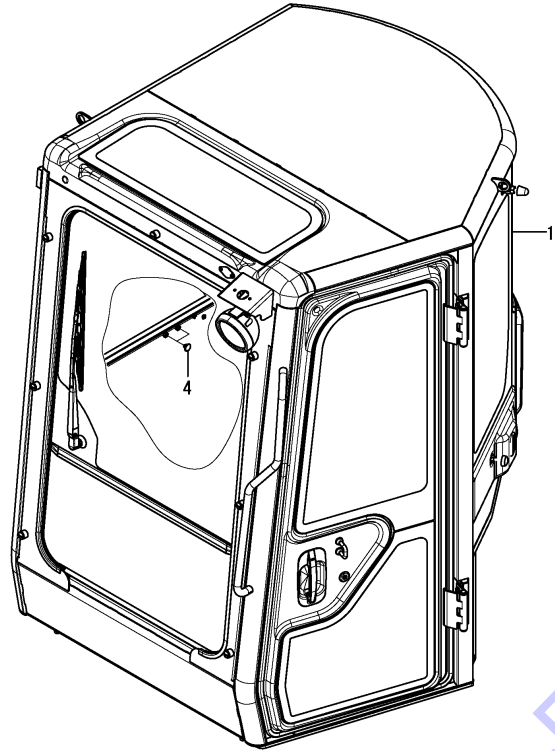
No.	Lev.	Parts No.	Description	Q'ty						I	R
				(A)	(B)	(C)	(D)	(E)	(F)		
1	1	172472-17611	TANK ASSY, WASHER		1						
2	1	120147-44810	BRACKET		1						
3	1	172538-66510	NOZZLE, WASHER		1						
4	1	172B02-67910	PLATE, NOZZLE		1						
5	1	26014-060162	BOLT, M6X 16		2						

Fig.97. CABIN(ASSEMBLY)

(A)=VIO45-6A P(US)
 (B)=VIO45-6A C(US)
 (C)=

(D)=
 (E)=
 (F)=

CABIN ASSY
 Fig. 97 Ref. No. 1
 INC. Fig. 98~105.



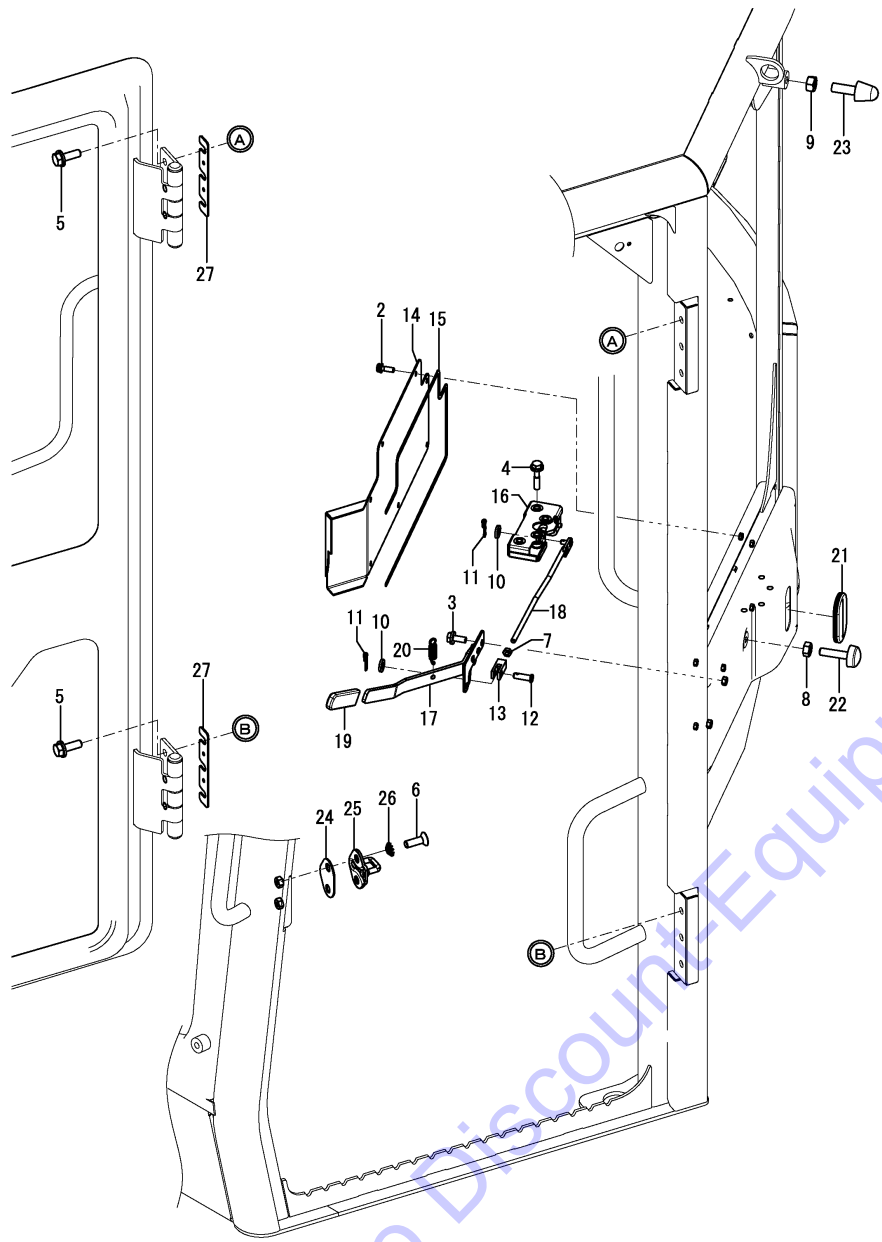
No.	Lev.	Parts No.	Description	Q'ty						I	R	
				(A)	(B)	(C)	(D)	(E)	(F)			
1	1	172B02-68001	CABIN ASSY		1							1
1-1	1	172B02-68002 (B=*2014.06)	CABIN ASSY		1							R 1
3A	1	172437-03551	LABEL, WINDOW US		1							2
4	1	172444-17660	CLIP, TREE		2							3

Remarks
 (1)Attach the No.3A label to this part.
 (2)Label is not illustrated.
 (3)Not applied for quick coupler specification.

Fig.98. CABIN DOOR(1)

(A)=VIO45-6A P(US)
 (B)=VIO45-6A C(US)
 (C)=

(D)=
 (E)=
 (F)=



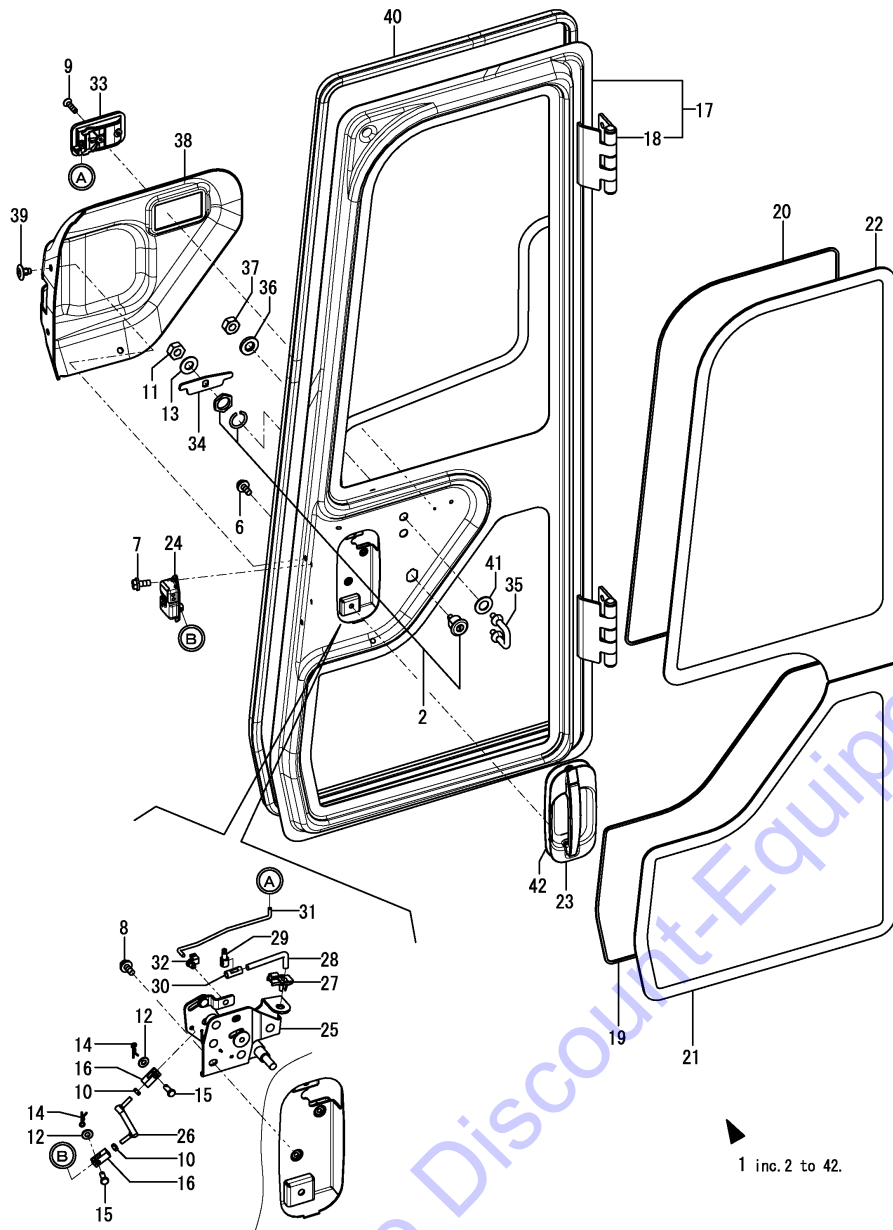
No.	Lev.	Parts No.	Description	Q'ty						I	R
				(A)	(B)	(C)	(D)	(E)	(F)		
2	3	172B02-67100	SCREW, SEMS 5X16 B		7						
3	3	172B02-67160	BOLT, SEMS 6X16		2						
4	3	172B02-67180	BOLT, SEMS 6X30		4						
5	3	172B02-67210	BOLT, SEMS 8X20		6						
6	3	172B02-67390	SCREW, SOCKET 8X25		2						
7	3	172B02-67410	NUT, M6		1						
8	3	172B02-67430	NUT, M10		1						
9	3	172B02-67440	NUT, M12		1						
10	3	172B02-67550	WASHER, 6		2						
11	3	172B02-67620	PIN, SNAP 6		2						
12	3	172B02-67670	PIN, FLAT HEAD 6X20		1						
13	3	172B02-67710	YOKE, 6		1						
14	3	172B02-69610	COVER, CAB L		1						
15	3	172B02-69620	SEAL, COVER L		1						
16	3	172B02-69630	CATCH ASSY, DOOR		1						
17	3	172B02-69640	LEVER ASSY, DOOR		1						
18	3	172B02-69650	ROD ASSY, OPEN LOCK		1						
19	3	172B02-69660	COVER, LEVER		1						
20	3	172B02-69670	SPRING, LOCK LEVER		1						
21	3	172B02-69680	GROMMET, CATCH		1						
22	3	172B02-69690	STOPPER, DOOR		1						
23	3	172B02-69700	STOPPER, DOOR		1						
24	3	172B02-69850	SHIM, STRIKER DOOR		1						
25	3	172B02-69860	STRIKER, DOOR		1						
26	3	172B02-69870	WASHER, TOOTHED LOCK		2						
27	3	172B02-69970	SHIM, HINGE DOOR		2						

Remarks
 * Cabin assy is shown in Fig.97.

Fig.99. CABIN DOOR(2)

(A)=VIO45-6A P(US)
 (B)=VIO45-6A C(US)
 (C)=

(D)=
 (E)=
 (F)=



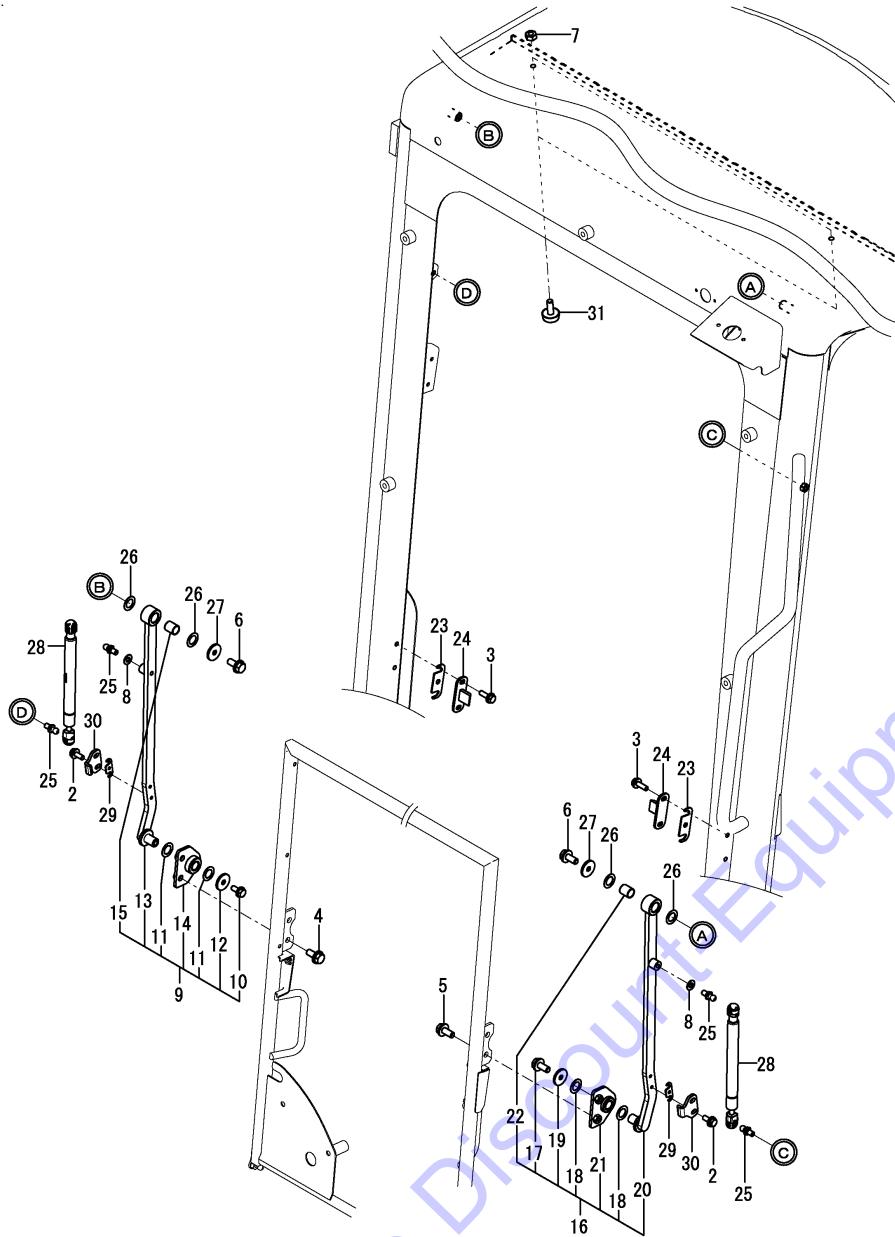
No.	Lev.	Parts No.	Description	Q'ty						I	R
				(A)	(B)	(C)	(D)	(E)	(F)		
1	3	172B02-68200	DOOR ASSY, CABIN		1						
2	4	172B03-66170	CYLINDER ASSY, KEY		1						
6	4	172B02-67150	BOLT, SEMS 6X12		2						
7	4	172B02-67160	BOLT, SEMS 6X16		2						
8	4	172B02-67160	BOLT, SEMS 6X16		2						
9	4	172B02-67350	SCREW, FLAT 4X14 B		1						
10	4	172B02-67400	NUT, M4		2						
11	4	172B02-67430	NUT, M10		1						
11-1	4	26347-100002	NUT, M10		1						N
(B=MAG840)											
12	4	172B02-67500	WASHER, 4		2						
13	4	172B02-67530	WASHER, 10		1						
14	4	172B02-67600	PIN, SNAP 4		2						
15	4	172B02-67650	PIN, FLAT HEAD 4X12		2						
16	4	172B02-67700	YOKE, 4		2						
17	4	172B02-68210	FRAME ASSY, DOOR		1						
18	5	172B02-68220	HINGE, DOOR		2						
19	4	172B02-68230	DAM,1800		1						
20	4	172B02-68240	DAM, 2150		1						
21	4	172B02-68250	GLASS,DOOR LOW		1						
22	4	172B02-68260	GLASS, DOOR UP		1						
23	4	172B02-68270	HANDLE ASSY, OUTER		1						
24	4	172B02-68280	LOCK ASSY, DOOR		1						
25	4	172B02-68290	CONTROLLER ASSY,RMT		1						
26	4	172B02-68300	ROD ASSY, LINK LOCK		1						
27	4	172B02-68310	CLIP, ROD 6		1						
28	4	172B02-68320	ROD ASSY, LINK O/H		1						
29	4	172B02-68330	PIN, REGULATE		1						
30	4	172B02-68340	TUBE, ROD 6		1						
31	4	172B02-68350	ROD, LINK I/H-R/M		1						
32	4	172B02-68360	CLIP, ROD 3.5		1						
33	4	172B02-68370	HANDLE, DOOR INNER		1						
34	4	172B02-68380	PLATE, KEY LOCK DOOR		1						
35	4	172B02-68390	STRIKER ASSY, DOOR		1						
36	4	172B02-68400	WASHER, 10 BK		2						
37	4	172B02-68410	NUT, M10 BK		2						
38	4	172B02-68420	COVER,DOOR INNER		1						
39	4	172B02-68430	RIVET, 8		4						
39-1	4	172B02-68431	RIVET, 8		4						R
(B=MG215)											
40	4	172B02-68440	SEAL, DOOR		1						
41	4	172B02-68450	WASHER, SEAL 12		2						
42	4	172B02-69620	SEAL, COVER L		1						

Remarks
 * Cabin assy is shown in Fig.97.

Fig.100. CABIN(FRONT WINDOW)(1)

(A)=VIO45-6A P(US)
 (B)=VIO45-6A C(US)
 (C)=

(D)=
 (E)=
 (F)=



No.	Lev.	Parts No.	Description	Q'ty						I	R
				(A)	(B)	(C)	(D)	(E)	(F)		
2	3	172B02-67250	BOLT, SEMS 6X16 B		4						
3	3	172B02-67260	BOLT, SEMS 6X20 B		4						
4	3	172B02-67280	BOLT, SEMS 8X20 B		2						
5	3	172B02-67280	BOLT, SEMS 8X20 B		2						
6	3	172B02-67280	BOLT, SEMS 8X20 B		2						
7	3	172B02-67430	NUT, M10		2						
8	3	172B02-67520	WASHER, 8		2						
9	3	172B02-69120	ARM ASSY, R F/W		1						
10	4	172B02-67280	BOLT, SEMS 8X20 B		1						
11	4	172B02-69170	WASHER, THRUST 16		2						
12	4	172B02-69180	WASHER, 8.5X30X3.2		1						
13	4	172B02-69260	ARM ASSY, R		1						
14	4	172B02-69280	BRACKET ASSY, ARM		1						
15	4	172B02-69290	BUSH, 17X20		1						
16	3	172B02-69130	ARM ASSY, L F/W		1						
17	4	172B02-67280	BOLT, SEMS 8X20 B		1						
18	4	172B02-69170	WASHER, THRUST 16		2						
19	4	172B02-69180	WASHER, 8.5X30X3.2		1						
20	4	172B02-69270	ARM ASSY, L		1						
21	4	172B02-69280	BRACKET ASSY, ARM		1						
22	4	172B02-69290	BUSH, 17X20		1						
23	3	172B02-69140	SHIM, LOCK PLATE		2						
24	3	172B02-69150	STRIKER ASSY, F/W		2						
25	3	172B02-69160	BALL, STUD		4						
26	3	172B02-69170	WASHER, THRUST 16		4						
27	3	172B02-69180	WASHER, 8.5X30X3.2		2						
28	3	172B02-69190	SPRING, GAS FRONT G		2						
29	3	172B02-69200	SHIM, STRIKER ARM		2						
30	3	172B02-69210	STRIKER, ARM		2						
31	3	172B02-69220	STOPPER, F/W		2						

Remarks

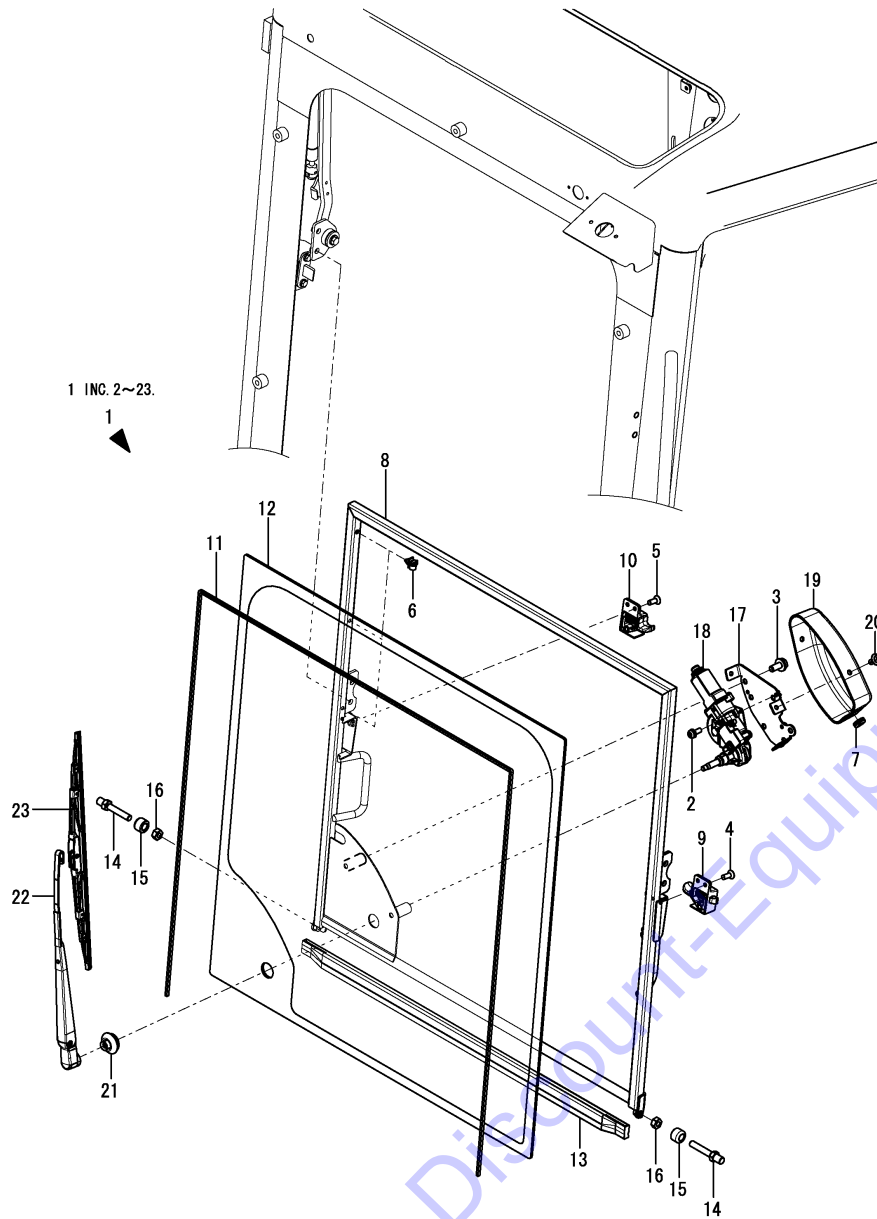
* Cabin assy is shown in Fig.97.

N:Old $\begin{matrix} \leftarrow \text{Yes} \\ \text{No} \end{matrix}$ New, Q:Old $\begin{matrix} \leftarrow \text{No} \\ \text{Yes} \end{matrix}$ New, R:Old $\begin{matrix} \leftarrow \text{Yes} \\ \text{Yes} \end{matrix}$ New, S:Old $\begin{matrix} \leftarrow \text{No} \\ \text{No} \end{matrix}$ New, W:Add, Z:Discontinued, F:Interchangeable by set, K:Q'ty Change

Fig.101. CABIN(FRONT WINDOW)(2)

(A)=VIO45-6A P(US)
 (B)=VIO45-6A C(US)
 (C)=

(D)=
 (E)=
 (F)=



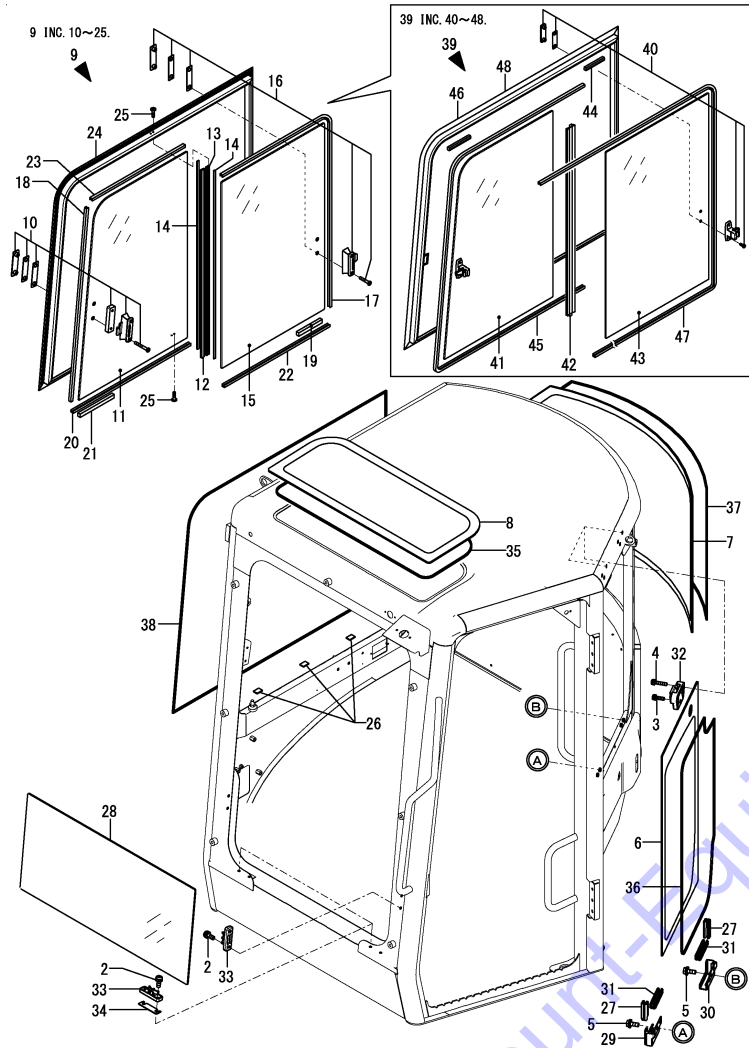
No.	Lev.	Parts No.	Description	Q'ty						I	R
				(A)	(B)	(C)	(D)	(E)	(F)		
1	3	172B02-68500	WINDOW ASSY, FRONT		1						
2	4	172B02-67020	SCREW, SEMS 5X12							3	
3	4	172B02-67200	BOLT, SEMS 8X16							2	
4	4	172B02-67380	SCREW, SOCKET 6X16							2	
5	4	172B02-67380	SCREW, SOCKET 6X16							2	
6	4	172B02-67870	CLAMP, CABLE 5							3	
7	4	172B02-67950	CAP, 10							1	
8	4	172B02-68510	FRAME ASSY, FRONT							1	
8-1	4	172B02-68511	FRAME ASSY, FRONT							1	R
(B=M6G215)											
9	4	172B02-68520	LOCK ASSY, L F/W							1	
10	4	172B02-68530	LOCK ASSY, R F/W							1	
11	4	172B02-68540	DAM, 2450							1	
12	4	172B02-68550	GLASS, FRONT UP							1	
13	4	172B02-68560	SEAL, FRONT GLASS							1	
14	4	172B02-68570	BOLT, ROLLER							2	
15	4	172B02-68580	ROLLER, 18X13							2	
16	4	172B02-68590	NUT, M8 BK							2	
17	4	172B02-68600	BRACKET ASSY,W-MOTOR							1	
18	4	172B02-68610	MOTOR, WIPER							1	
19	4	172B02-68620	COVER, WIPER MOTOR							1	
20	4	172B02-68630	RIVET, 7							3	
21	4	172B02-68640	CAP, WIPER							1	
22	4	172B02-68650	ARM, WIPER							1	
23	4	172B02-68660	BLADE, WIPER							1	

Remarks
 * Cabin assy is shown in Fig.97.

Fig.102. CABIN(GLASS)

(A)=VIO45-6A P(US)
 (B)=VIO45-6A C(US)
 (C)=

(D)=
 (E)=
 (F)=



No.	Lev.	Parts No.	Description	(A)	(B)	(C)	Q'ty	(D)	(E)	(F)	I	R
2	3	172B02-67060	SCREW, SEMS 6X16		8							
3	3	172B02-67120	SCREW, SEMS 6X20 B		2							
4	3	172B02-67140	SCREW, SEMS 6X30 B		4							
5	3	172B02-67250	BOLT, SEMS 6X16 B		4							
6	3	172B02-69230	GLASS, SIDE L		1							
7	3	172B02-69240	GLASS, REAR		1							1
8	3	172B02-69250	ROOF, POLYCARBONATE		1							
9	3	172B02-69300	SASH ASSY (B=M60841)		1						Z	4
10	4	172B02-69310	LOCK ASSY, SASH 37 (B=M60841)		1							Z
11	4	172B02-69320	GLASS, SASH FRONT (B=M60841)		1							Z
12	4	172B02-69330	RUBBER, SASH (B=M60841)		1							Z
13	4	172B02-69340	BAR, CENTER (B=M60841)		1							Z
14	4	172B02-69350	SEAL, SASH (B=M60841)		2							Z
15	4	172B02-69360	GLASS, SASH REAR (B=M60841)		1							Z 2
16	4	172B02-69370	LOCK ASSY, SASH 26 (B=M60841)		1							Z
17	4	172B02-69380	GLASSRUN, 1612 (B=M60841)		1							Z
18	4	172B02-69390	GLASSRUN, 752 (B=M60841)		1							Z
19	4	172B02-69400	STOPPER, SASH A (B=M60841)		1							Z
20	4	172B02-69410	GLASSRUN, 844 (B=M60841)		1							Z
21	4	172B02-69420	STOPPER, SASH B (B=M60841)		1							Z
22	4	172B02-69430	GLASSRUN, 784 (B=M60841)		1							Z
23	4	172B02-69440	GLASSRUN, 809 (B=M60841)		1							Z
24	4	172B02-69450	FRAME ASSY, SASH (B=M60841)		1							Z
25	4	26557-030122	SCREW, M3X12 (B=M60841)		4							Z
26	3	172B02-69460	SHEET, STOPPER		3							
27	3	172B02-69490	GLASSRUN, 40		2							
28	3	172B02-69500	GLASS, FRONT LOWER		1							
29	3	172B02-69510	HOLDER ASSY, GLASS R		1							
30	3	172B02-69520	HOLDER ASSY, GLASS L		1							
31	3	172B02-69530	GLASSRUN, 80		2							
32	3	172B02-69540	HOLDER, GLASS		2							
33	3	172B02-69550	SEAT, GLASS		4							
34	3	172B02-69560	SHIM, SEAT GLASS		2							
35	3	172B02-69570	DAM, 1900		1							

Remarks

* Cabin assy is shown in Fig.97.

(1) Please use this part with following label at the same time.

Standard blade specification : No.49A.

Angle blade specification : No.49B.

(2) Please use this part with following label at the same time.

Standard blade specification : No.50A & 50B.

Standard blade with quick coupler specification : No.50A, 50B, 50C, 50D & 50E.

Angle blade specification : No.50A, 50B, 50C, 50D, 50E & 50F.

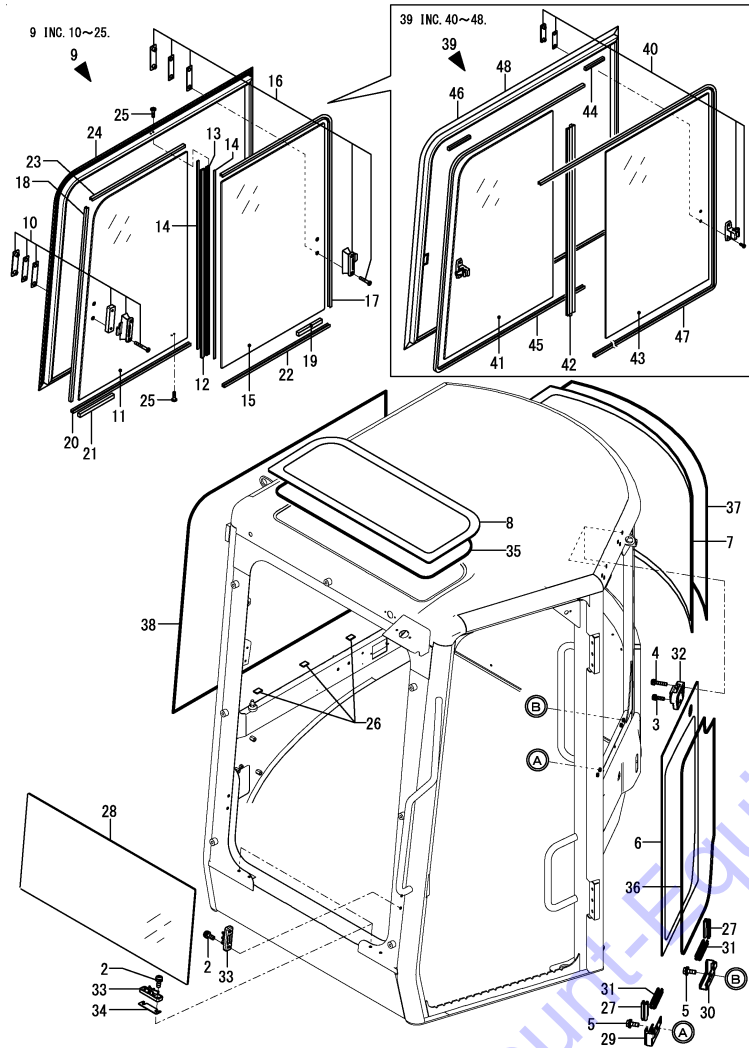
(3) Label is not illustrated.

(4) Interchangeable by No.39.

Fig.102. CABIN(GLASS)

(A)=VIO45-6A P(US)
 (B)=VIO45-6A C(US)
 (C)=

(D)=
 (E)=
 (F)=



No.	Lev.	Parts No.	Description	Q'ty						I	R
				(A)	(B)	(C)	(D)	(E)	(F)		
36	3	172B02-69580	DAM, 2300		1						
37	3	172B02-69590	DAM,2900		1						
38	3	172B02-69600	DAM, 3550		1						
39	3	172B02-69301 (B=M60841)	SASH ASSY		1						W
40	4	172B02-69311	LOCK ASSY, SASH 28		2						
41	4	172B02-69321	GLASS, SASH FRONT		1						
42	4	172B02-69351	SEAL, SASH		1						
43	4	172B02-69361	GLASS, SASH REAR		1						
44	4	172B02-69401	STOPPER, SASH A		1						
45	4	172B02-69411	GLASSRUN, 2471		1						
46	4	172B02-69421	STOPPER, SASH B		1						
47	4	172B02-69431	GLASSRUN, 2500		1						
48	4	172B02-69451	FRAME ASSY, SASH		1						
49A	1	172B04-03480	LABEL,LIFT EX		1						3
49B	1	172B04-03680	LABEL,LIFT ANGLE		1						3
50A	1	172437-03343	LABEL, TRANSPORT		1						3
50B	1	172437-03372	LABEL, NEUTRAL		1						3
50C	1	172472-03241	LABEL, PIN US		1						3
50D	1	172B03-04400	LABEL,WARNING HITCH		1						3
50E	1	172B03-04410	LABEL,SAND US		1						3
50F	1	172A79-03220	LABEL,WARNING ANGLE		1						3

Remarks

* Cabin assy is shown in Fig.97.

(1)Please use this part with following label at the same time.

Standard blade specification : No.49A.

Angle blade specification : No.49B.

(2)Please use this part with following label at the same time.

Standard blade specification : No.50A & 50B.

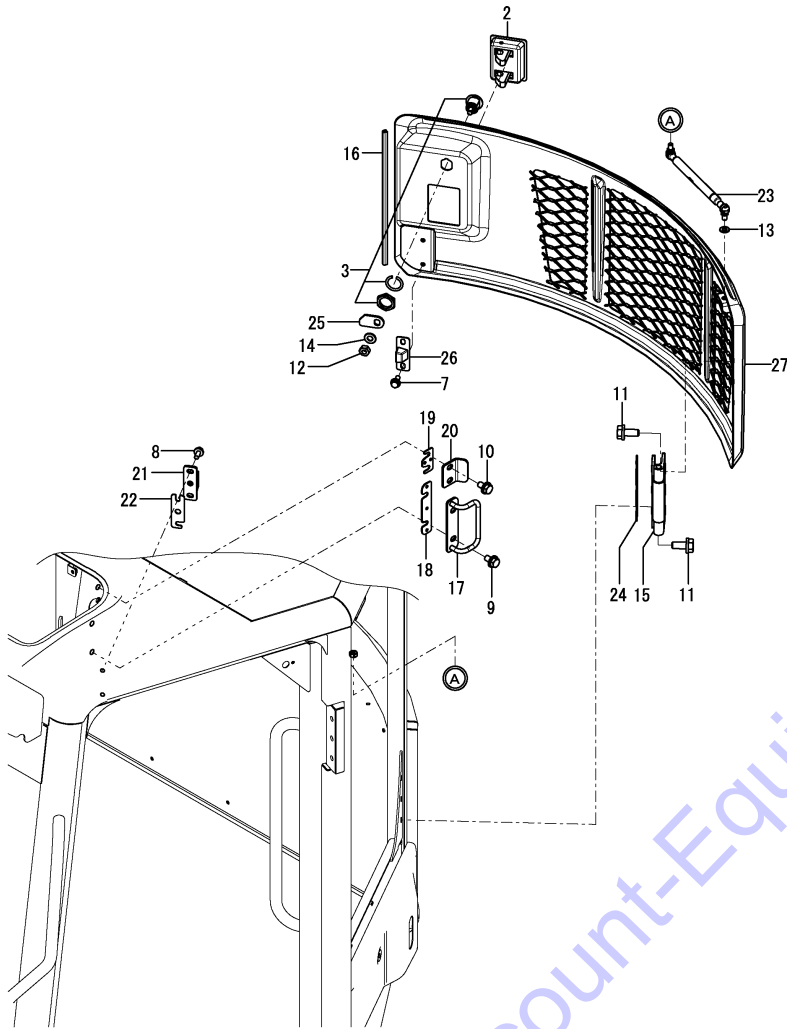
Standard blade with quick coupler specification : No.50A, 50B, 50C, 50D & 50E.

Angle blade specification : No.50A, 50B, 50C, 50D, 50E & 50F.

(3)Label is not illustrated.

(4)Interchangeable by No.39.

Fig.103. CABIN(REAR COVER)



(A)=VIO45-6A P(US)
 (B)=VIO45-6A C(US)
 (C)=

(D)=
 (E)=
 (F)=

No.	Lev.	Parts No.	Description	Q'ty						I	R
				(A)	(B)	(C)	(D)	(E)	(F)		
2	3	172187-61421	HANDLE, LOCK		1						3
2-1	3	172B02-69040 (B=MAG840)	HANDLE, LOCK BLACK		1						S 4
3	3	172B03-66170	CYLINDER ASSY, KEY		1						
7	3	172B02-67160	BOLT, SEMS 6X16		2						
8	3	172B02-67170	BOLT, SEMS 6X20		2						
9	3	172B02-67200	BOLT, SEMS 8X16		2						
10	3	172B02-67200	BOLT, SEMS 8X16		2						
11	3	172B02-67230	BOLT, SEMS 10X25		6						
12	3	172B02-67430	NUT, M10		1						
12-1	3	26347-100002 (B=MAG840)	NUT, M10		1						N
13	3	172B02-67520	WASHER, 8		1						
14	3	172B02-67530	WASHER, 10		1						
15	3	172527-68980	HINGE, DOOR		1						
16	3	172B02-69010	TRIM, REAR COVER		1						
17	3	172B02-69710	CATCH ASSY, COVER R		1						
18	3	172B02-69720	SHIM, CATCH R COVER		1						
19	3	172B02-69730	SHIM, LOCK PLATE		1						
20	3	172B02-69740	PLATE, LOCK		1						
21	3	172B02-69750	CATCH, DOVE TAIL B		1						
22	3	172B02-69760	SHIM, DOVE TAIL		1						
23	3	172B02-69770	SPRING, GAS REAR COV		1						
24	3	172B02-69780	SHIM, HINGE REAR		1						
25	3	172B02-69790	PLATE, KEY LOCK		1						
26	3	172B02-69800	CATCH, DOVE TAIL A		1						
27	3	172B02-69810	COVER ASSY, REAR		1						1
28A	1	172B03-03420	LABEL, WARNING A/C US		1						2

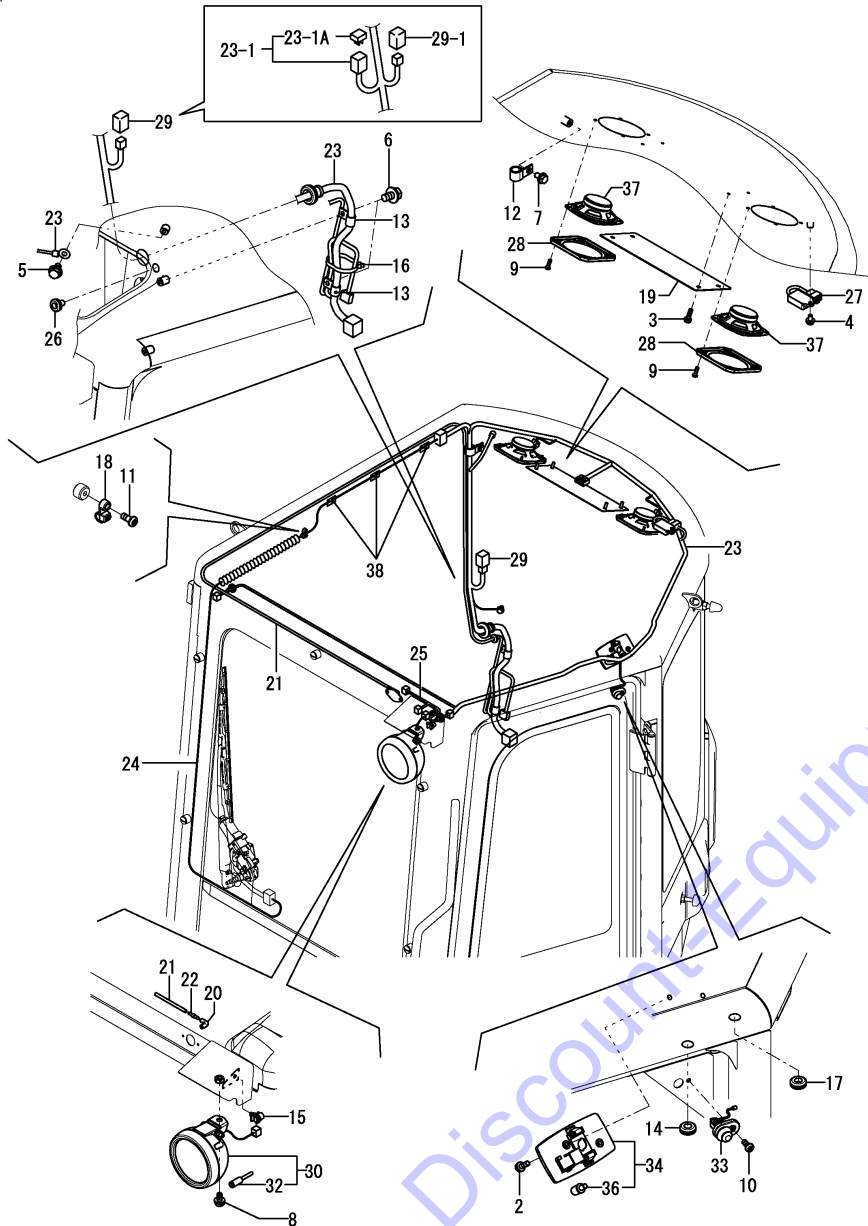
Remarks

- * Cabin assy is shown in Fig.97.
- (1) Attach the No.28A label to this part.
- (2) Label is not illustrated.
- (3) Color = DARK OLIVE GRAY.
- (4) Color = BLACK.

Fig.104. CABIN(ELECTRIC PARTS)

(A)=VIO45-6A P(US)
 (B)=VIO45-6A C(US)
 (C)=

(D)=
 (E)=
 (F)=



No.	Lev.	Parts No.	Description	Q'ty						I	R
				(A)	(B)	(C)	(D)	(E)	(F)		
2	3	172B02-67040	SCREW, SEMS 5X16		2						
3	3	172B02-67120	SCREW, SEMS 6X20 B		4						
4	3	172B02-67150	BOLT, SEMS 6X12		1						
5	3	172B02-67190	BOLT, SEMS 8X12		1						
6	3	172B02-67200	BOLT, SEMS 8X16		2						
7	3	172B02-67200	BOLT, SEMS 8X16		1						
8	3	172B02-67290	BOLT, SEMS 10X20 B		1						
9	3	172B02-67300	SCREW, PAN 4X12 B		8						
10	3	172B02-67310	SCREW, PAN 5X12 B		1						
11	3	172B02-67310	SCREW, PAN 5X12 B		1						
12	3	172B02-67750	CLIP, HOSE 14		1						
13	3	172B02-67760	CLIP, HOSE 17		2						
14	3	172B02-67800	GROMMET, 10		1						
15	3	172B02-67850	CLAMP, CABLE 3		1						
16	3	172B02-67870	CLAMP, CABLE 5		1						
17	3	172B02-67950	CAP, 10		1						
18	3	172B02-68750	CLIP, HARNESS		1						
19	3	172B02-68820	COVER, RADIO LESS		1						
19-1	3	172B02-68821	COVER, RADIO LESS (B=M6G215)		1						R
20	3	172B02-68850	JOINT, WASHER		1						
21	3	172B02-68860	HOSE, WASHER		1						
22	3	172B02-68870	VALVE, CHECK WASHER		1						
23	3	172B02-69101	HARNESS, CAB MAIN		1						
23-1	3	172B02-69102	HARNESS, CAB MAIN (B=M60597)		1						N
23-1A	4	172648-16600	DIODE, 1.5-2P (B=M60597)		1						W
24	3	172B02-69110	HARNESS, WIPER MOTOR		1						
25	3	172B02-69980	HARNESS, WORK LAMP		1						
26	3	172B02-69990	GROMMET, 15X 21X 8		1						
27	3	128300-77920	TIMER		1						
28	3	1E9535-79420	COVER, SPEAKER		2						
29	3	1E6910-82500	RELAY, CA-1A		1						
29-1	3	172B02-17160	RELAY,CAA TYPE (B=M60597)		1						S 1
30	3	1A7611-86251	LAMP, WORK 55W		1						
32	4	1A7611-86270	BULB, 12V-55W		1						
33	3	198463-86440	SWITCH, DOOR LAMP		1						
34	3	1A7470-86750	LAMP ASSY, ROOM		1						
36	4	1A7470-86770	BULB, 12V/5W		1						
37	3	1A8110-86920	SPEAKER		2						
38	3	933169-15231	STEP		3						

Remarks

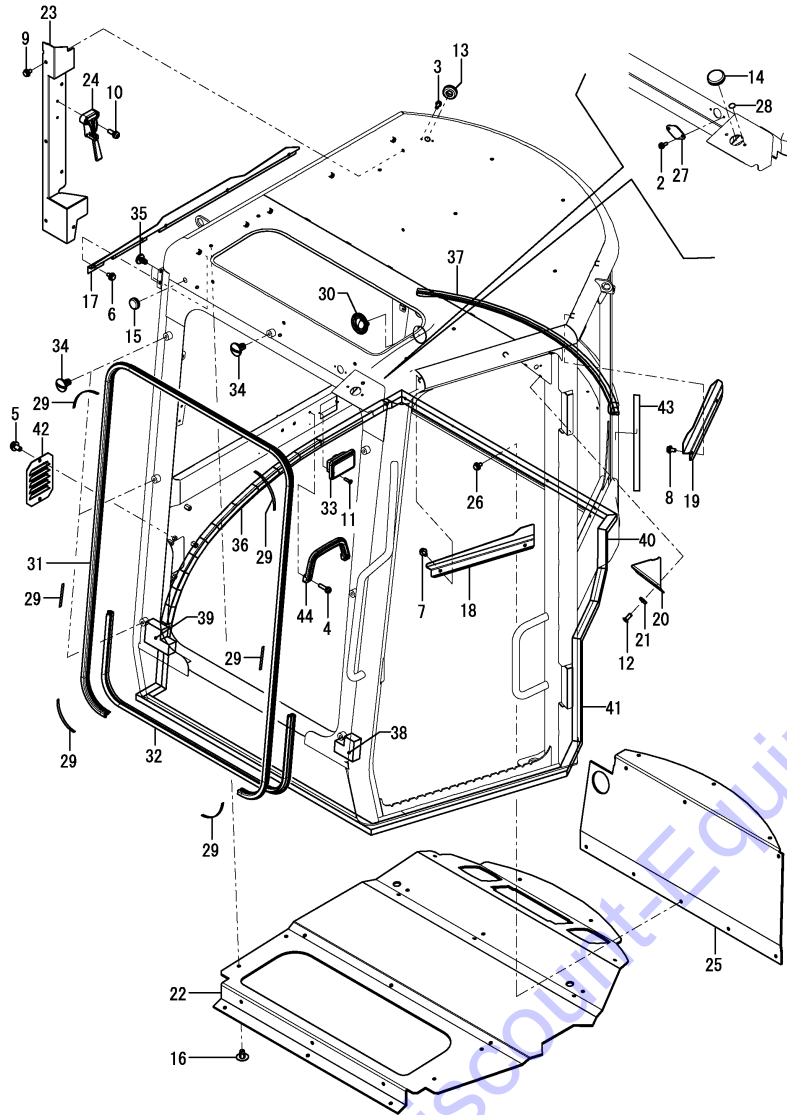
* Cabin assy is shown in Fig.97.

(1)Body color = No.29 : RED, No.29-1 : BLACK.

Fig.105. CABIN(Accessory)

(A)=VIO45-6A P(US)
 (B)=VIO45-6A C(US)
 (C)=

(D)=
 (E)=
 (F)=



No.	Lev.	Parts No.	Description	Q'ty						I	R
				(A)	(B)	(C)	(D)	(E)	(F)		
2	3	172B02-67080	SCREW, SEMS 4X12 B		2						
3	3	172B02-67090	SCREW, SEMS 4X16 B		2						
4	3	172B02-67130	SCREW, SEMS 6X25 B		2						
5	3	172B02-67200	BOLT, SEMS 8X16		2						
6	3	172B02-67240	BOLT, SEMS 6X12 B		5						
7	3	172B02-67240	BOLT, SEMS 6X12 B		2						
8	3	172B02-67240	BOLT, SEMS 6X12 B		2						
9	3	172B02-67240	BOLT, SEMS 6X12 B		6						
10	3	172B02-67320	SCREW, PAN 5X16 B		2						
11	3	172B02-67340	SCREW, FLAT 4X16		2						
12	3	172B02-67360	SCREW, ROUND 6X16		2						
13	3	172B02-67950	CAP, 10		1						
14	3	172B02-67960	CAP, 25		1						
15	3	172B02-67970	CAP, 16		1						
16	3	172B02-68430	RIVET, 8		23						
16-1	3	172B02-68431	RIVET, 8 (B=M6G215)		23						R
17	3	172B02-68700	COVER, CAB TOP R		1						
18	3	172B02-68710	COVER, CAB TOP LF		1						
19	3	172B02-68720	COVER, CAB TOP LR		1						
20	3	172B02-68730	COVER, DOOR SWITCH		1						
21	3	172B02-68740	WASHER, 6 DRESSING		2						
22	3	172B02-68760	PAD, ROOF		1						
22-1	3	172B02-68761	PAD, ROOF (B=M6G215)		1						R
23	3	172B02-68780	COVER ASSY, HARNESS (B=M6G215)		1						1
24	3	172B02-68790	HAMMER		1						
25	3	172B02-68800	PAD, REAR		1						
26	3	172B02-68810	CLIP, TREE 6		11						
27	3	172B02-68840	PLATE, NOZZLE LESS		1						
28	3	172B02-68880	SEAL, 14 GRAY		2						
29	3	172B02-68890	TAPE, BUTYL		6						
30	3	172B02-69020	GROMMET, VALVE		1						
31	3	172B02-69820	SEAL, 3450		1						
32	3	172B02-69830	SEAL, 1570		1						
33	3	172B02-69840	ASHTRAY		1						3
33-1	3	172B02-69841	ASHTRAY, BLACK (B=MAF001)		1						S 4
34	3	172B02-69880	PLUG, M10		7						
35	3	172B02-69880	PLUG, M10		2						
36	3	172B02-69890	SEAL, CABIN 1360		1						
37	3	172B02-69900	SEAL, 950		1						
38	3	172B02-69910	SEAL, FRONT R		1						
39	3	172B02-69920	SEAL, FRONT L		1						
40	3	172B02-69930	SEAL, CABIN 500		1						
41	3	172B02-69940	SEAL, CABIN 430		1						
42	3	172B02-69950	LOUVER		1						
43	3	172B02-69960	TAPE, REAR COVER		1						
44	3	198094-82540	GRIP		1						3
44-1	3	172B02-69030	GRIP, BLACK (B=MAF001)		1						S 4

Remarks

* Cabin assy is shown in Fig.97.

(1) Attach the No.45A & 45B label to this part.

(2) Label is not illustrated.

(3) Color = GRAY.

(4) Color = BLACK.

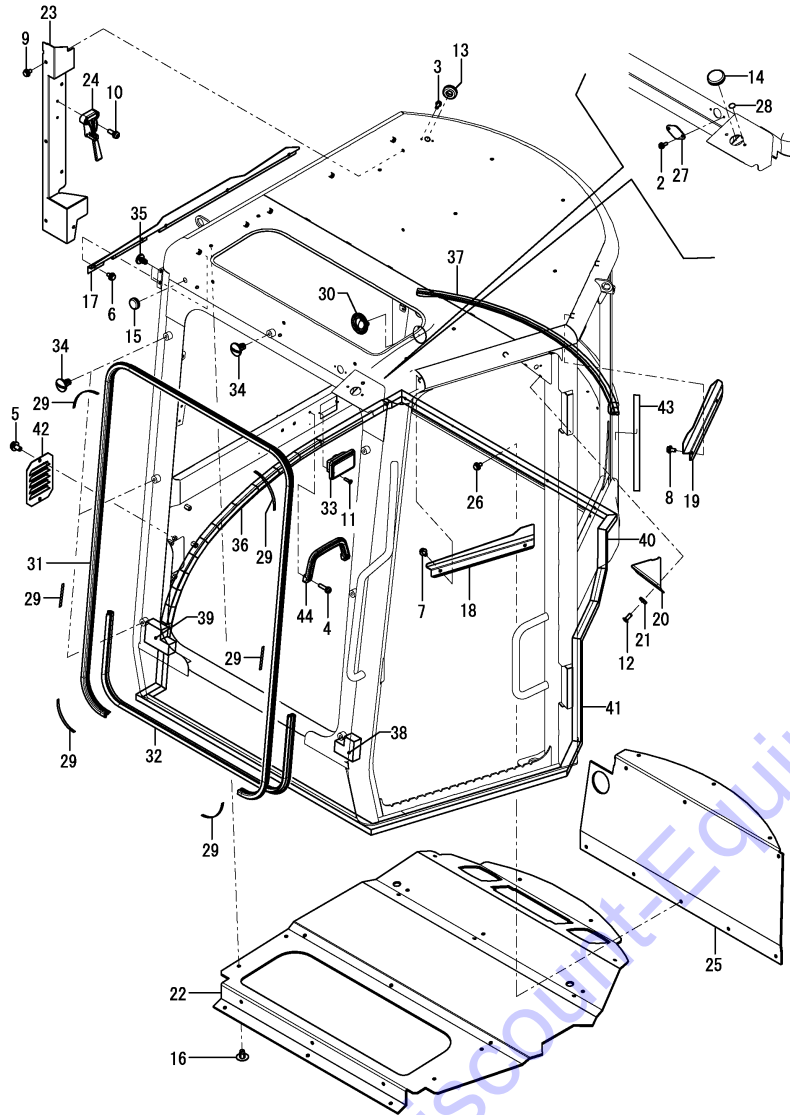
N:Old \xrightarrow{Yes} New, Q:Old \xrightarrow{No} New, R:Old \xrightarrow{Yes} New, S:Old \xrightarrow{No} New, W:Add, Z:Discontinued, F:Interchangeable by set, K:Q'ty Change

++ CONTINUE ++

Fig.105. CABIN(Accessory)

(A)=VIO45-6A P(US)
 (B)=VIO45-6A C(US)
 (C)=

(D)=
 (E)=
 (F)=



No.	Lev.	Parts No.	Description	Q'ty						I	R
				(A)	(B)	(C)	(D)	(E)	(F)		
45A	1	172437-03451	LABEL, SEAT BELT		1						2
45B	1	172437-03441	LABEL, ROPS		1						2

Remarks

* Cabin assy is shown in Fig.97.

(1) Attach the No.45A & 45B label to this part.

(2) Label is not illustrated.

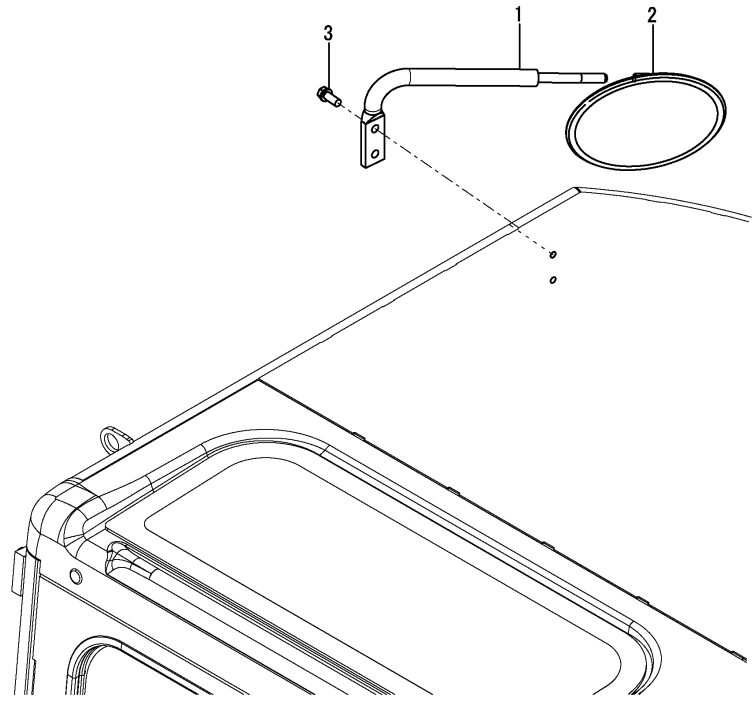
(3) Color = GRAY.

(4) Color = BLACK.

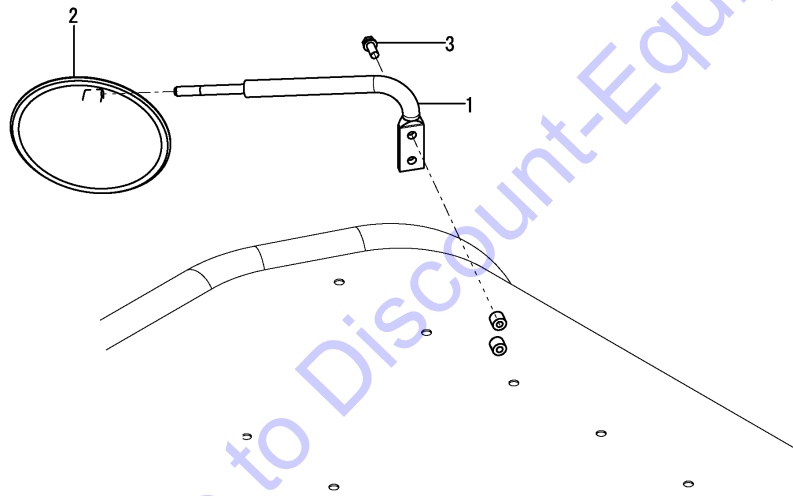
Fig.106. REARVIEW MIRROR

(A)=VIO45-6A P(US)
 (B)=VIO45-6A C(US)
 (C)=

(D)=
 (E)=
 (F)=



CABIN



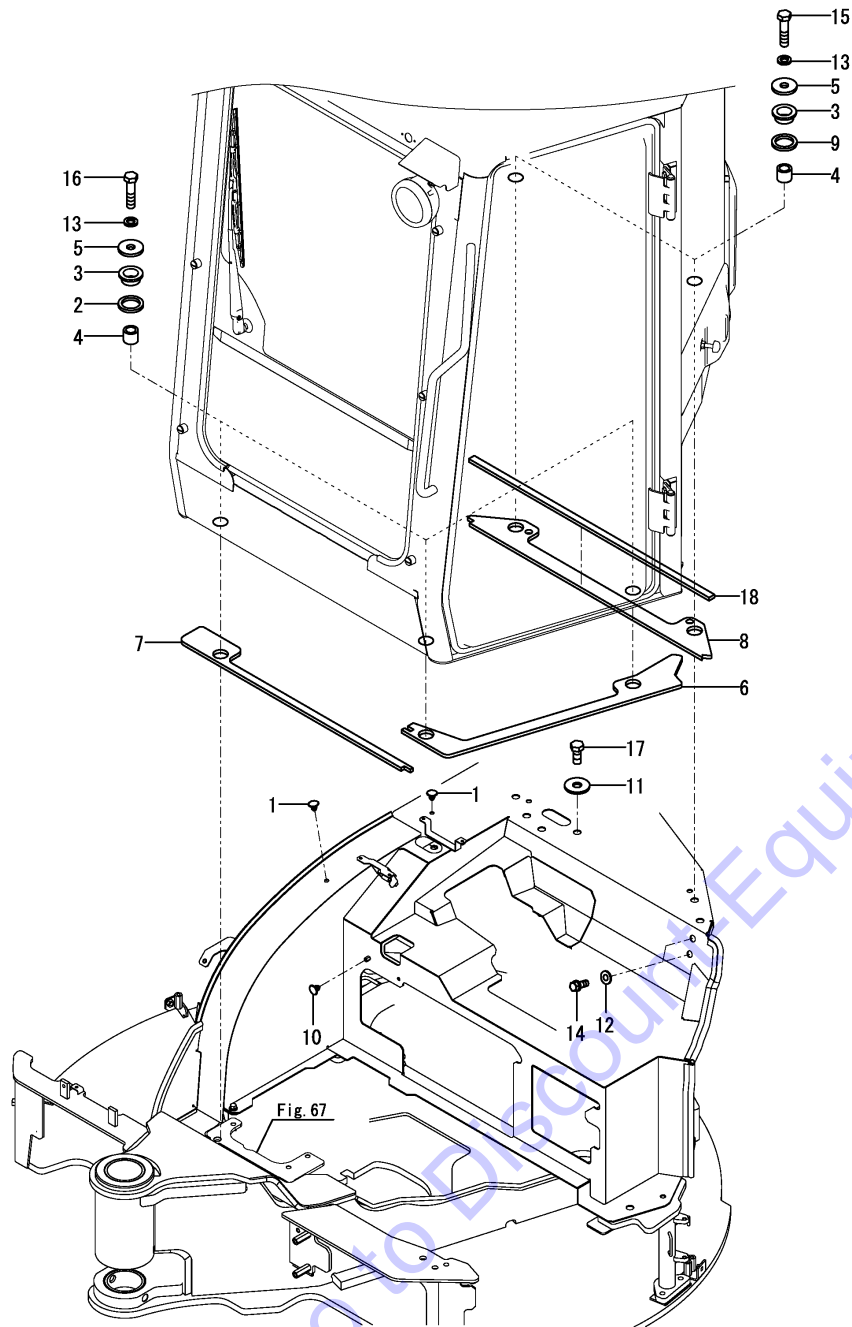
CANOPY

No.	Lev.	Parts No.	Description	Q'ty						I	R
				(A)	(B)	(C)	(D)	(E)	(F)		
1	1	172A25-68301-2	BRACKET ASSY_MIRROR	1	1						
2	1	172A25-68500	MIRROR, REARVIEW	1	1						
3	1	26013-100252	BOLT, M10X 25	2	2						

Fig.107. CABIN MOUNT

(A)=VIO45-6A P(US)
 (B)=VIO45-6A C(US)
 (C)=

(D)=
 (E)=
 (F)=



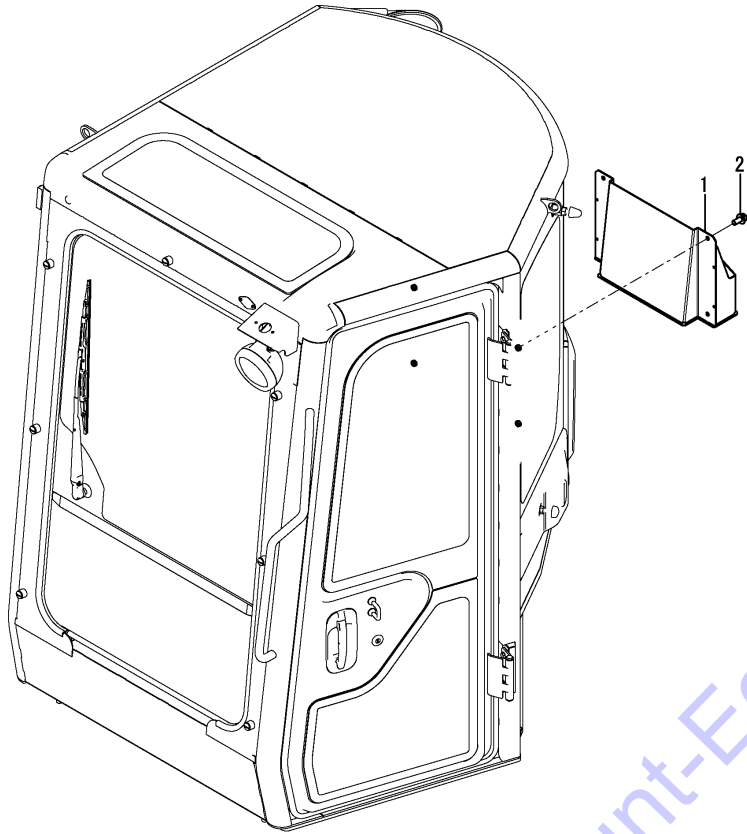
No.	Lev.	Parts No.	Description	Q'ty						I	R
				(A)	(B)	(C)	(D)	(E)	(F)		
1	1	172122-17190	CLIP, TREE		2						
2	1	172A47-68860	WASHER		3						
3	1	172A47-68870	GROMMET		5						
4	1	172A47-68880	COLLAR		5						
5	1	172A47-68890	WASHER		5						
6	1	172B02-68900	PAD, CAB SIDE		1						
7	1	172B02-68910	PAD, CAB FRONT		1						
8	1	172B02-68920	PAD, CAB REAR		1						
9	1	172B02-68940	WASHER, 39X52X3.2		2						
10	1	183341-91800	CLIP, TREE 5		1						
11	1	22137-160000	WASHER, 16		1						
12	1	22157-100000	WASHER, 10		2						
13	1	22217-160000	WASHER, SPRING 16		5						
14	1	26013-100162	BOLT, M10X 16		2						
15	1	26076-160552	BOLT, 10.916X 55		2						
16	1	26076-160702	BOLT, 10.916X 70		3						
17	1	26116-160302	BOLT, M16X 30 PLATED		1						
18	1	172B02-68930	SEAL, 10X20X880		1						W

(B=M60638)

Fig.108. BOX(CABIN HEATER SPEC.)

(A)=VIO45-6A P(US)
 (B)=VIO45-6A C(US)
 (C)=

(D)=
 (E)=
 (F)=



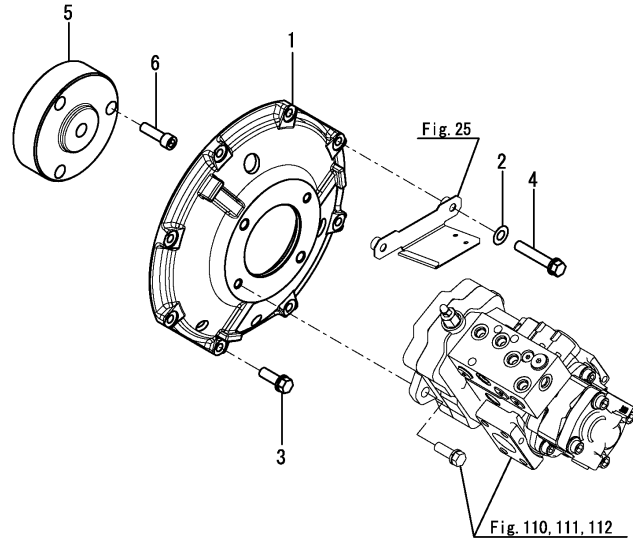
No.	Lev.	Parts No.	Description	Q'ty						I	R	
				(A)	(B)	(C)	(D)	(E)	(F)			
1	1	172B02-68950	BOX ASSY		1							
2	1	26014-080202	BOLT, M8X 20		4							

Go to Discount-Equipment.com to order your parts

Fig.109. HYDRAULIC PUMP MOUNT

(A)=VIO45-6A P(US)
 (B)=VIO45-6A C(US)
 (C)=

(D)=
 (E)=
 (F)=



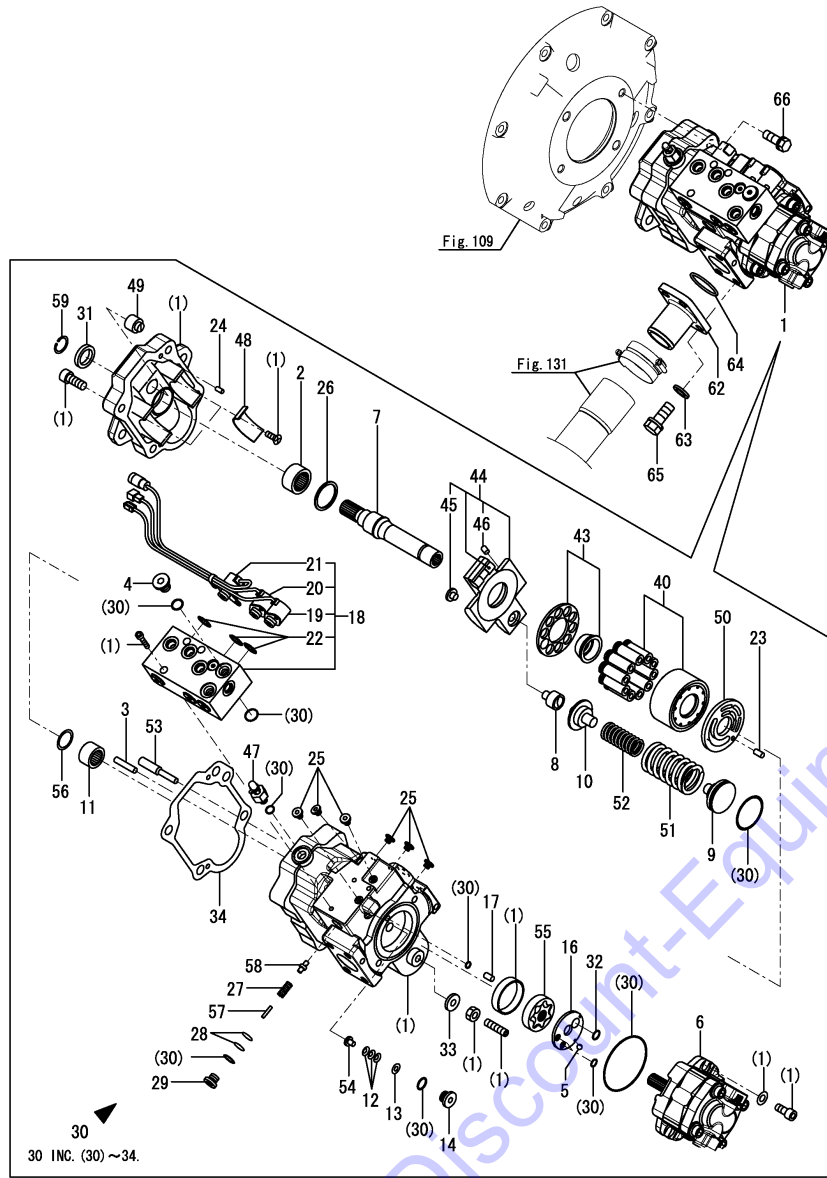
No.	Lev.	Parts No.	Description	Q'ty						I	R
				(A)	(B)	(C)	(D)	(E)	(F)		
1	1	172B04-71100	COVER, FLYWHEEL	1	1						
2	1	22137-100000	WASHER, 10	2	2						
3	1	26013-100302	BOLT, M10X 30	6	6						
4	1	26013-100502	BOLT, M10X 50	2	2						
5	1	172165-71200	COUPLING	1	1						
6	1	26450-120402	BOLT, M12X 40	3	3						

Go to Discount-Equipment.com to order your parts

Fig.110. HYDRAULIC PUMP(QUICK COUPLER SPEC.)

(A)=VIO45-6A P(US)
 (B)=VIO45-6A C(US)
 (C)=

(D)=
 (E)=
 (F)=



No.	Lev.	Parts No.	Description	Q'ty						I	R
				(A)	(B)	(C)	(D)	(E)	(F)		
1	1	172B04-73110	PUMP ASSY,3SOL	1	1						
2	2	172B06-70120	BEARING, NEEDLE	1	1						
3	2	172B06-70191	PIN	1	1						
4	2	172148-70301	PLUG	2	2						
5	2	172122-70350	BALL, STEEL	1	1						
6	2	172461-73132	PUMP ASSY, GEAR	1	1						
6-1	2	172B04-73240	PUMP KIT, GEAR	1	1					N	4
		(A=M6F740) (B=M6F740)									
7	2	172176-73240	SHAFT	1	1						
8	2	172460-73240	HOLDER	1	1						
9	2	172461-73270	SEAT, SPRING	1	1						
10	2	172176-73290	SEAT, SPRING	1	1						
11	2	172460-73330	BEARING, NEEDLE	1	1						
12	2	172460-73350	SPRING, DISK	3	3						
13	2	172460-73360	WASHER	1	1						
14	2	172460-73370	PLUG	1	1						
16	2	172460-73390	PLATE	1	1						
17	2	172460-73420	PIN	1	1						
18	2	172960-73431	VALVE, S/A	1	1						
19	3	172460-73900	VALVE, SOLENOID	1	1						1
20	3	172460-73910	VALVE, SOLENOID	1	1						2
21	3	172460-73920	VALVE, SOLENOID	1	1						3
22	3	24352-190110	O-RING, 219011	3	3						
23	2	172122-73480	PIN	1	1						
24	2	172122-73480	PIN	2	2						
25	2	172452-73480	PLUG	6	6						
26	2	172176-73540	THRUST WASHER	1	1						
27	2	172176-73560	SPRING	1	1						
28	2	172176-73590	SHIM	2	2						
29	2	172176-73600	PLUG	1	1						
30	2	172B04-73610	SEAL KIT,STD	1	1						
31	3	172176-73271	SEAL, OIL	1	1						
32	3	172176-73471	O-RING	1	1						
33	3	172457-73570	SEAL WASHER	1	1						
34	3	172B04-73710	GASKET	1	1						
40	2	172B04-73630	REPAIR KIT,CYL BLOCK	1	1						
43	2	172B04-73640	RETAINER KIT	1	1						
44	2	172B04-73650	REPAIR KIT,SW PLATE	1	1						
45	3	172452-73480	PLUG	2	2						
46	3	172312-74790	ORIFICE	2	2						
47	2	172176-73690	BREEDER, AIR	1	1						
48	2	172B04-73720	BUSH	2	2						
49	2	172B04-73730	STOPPER,MIN	1	1						
50	2	172B04-73750	PLATE,VALVE	1	1						
51	2	172B04-73760	SPRING,OUT	1	1						
52	2	172B04-73770	SPRING,IN	1	1						
53	2	172B04-73780	PIN	1	1						
54	2	172B04-73810	STOPPER,MAX	1	1						
55	2	172176-73880	PUMP ASSY, TROCHOID	1	1						
56	2	172176-73910	WASHER, THRUST	1	1						
57	2	172176-73930	PIN	1	1						

Remarks

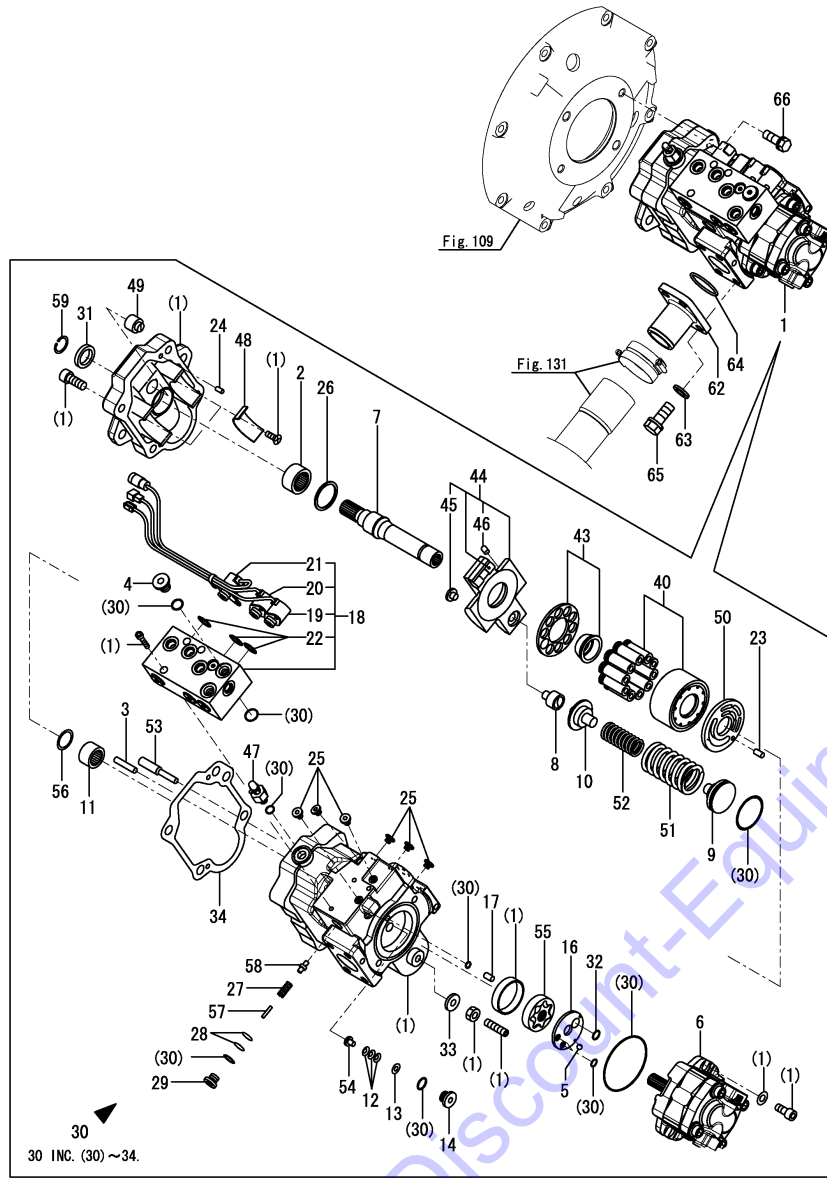
- (1)For safety lock.
- (2)For second gear traveling.
- (3)For quick coupler.
- (4)No.6 : Iron, No.6-1 : Aluminum.

Fig.110. HYDRAULIC PUMP(QUIK COUPLER SPEC.)

(A)=VIO45-6A P(US)
 (B)=VIO45-6A C(US)
 (C)=

(D)=
 (E)=
 (F)=

No.	Lev.	Parts No.	Description	Q'ty						I	R
				(A)	(B)	(C)	(D)	(E)	(F)		
58	2	172176-73940	POPPET	1	1						
59	2	22252-000420	RING, 42	1	1						
62	1	172165-76860	FLANGE	1	1						
63	1	22117-120000	WASHER, 12	4	4						
64	1	24321-000450	O-RING, 1AG45.0	1	1						
65	1	26013-120302	BOLT, M12X 30	4	4						
66	1	26013-120352	BOLT, M12X 35	2	2						

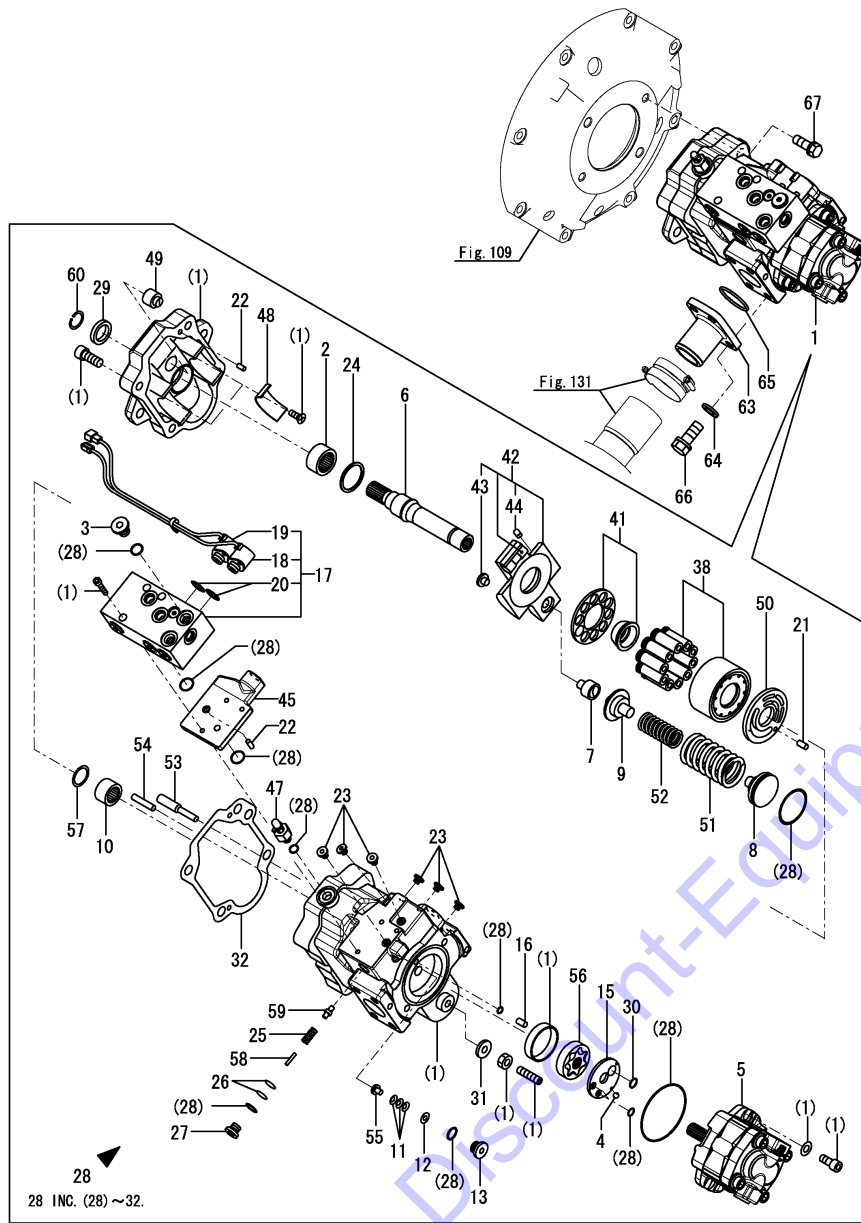


Remarks
 (1)For safety lock.
 (2)For second gear traveling.
 (3)For quick coupler.
 (4)No.6 : Iron, No.6-1 : Aluminum.

Fig.111. HYDRAULIC PUMP(E.S.S. SPEC.)

(A)=VIO45-6A P(US)
 (B)=VIO45-6A C(US)
 (C)=

(D)=
 (E)=
 (F)=



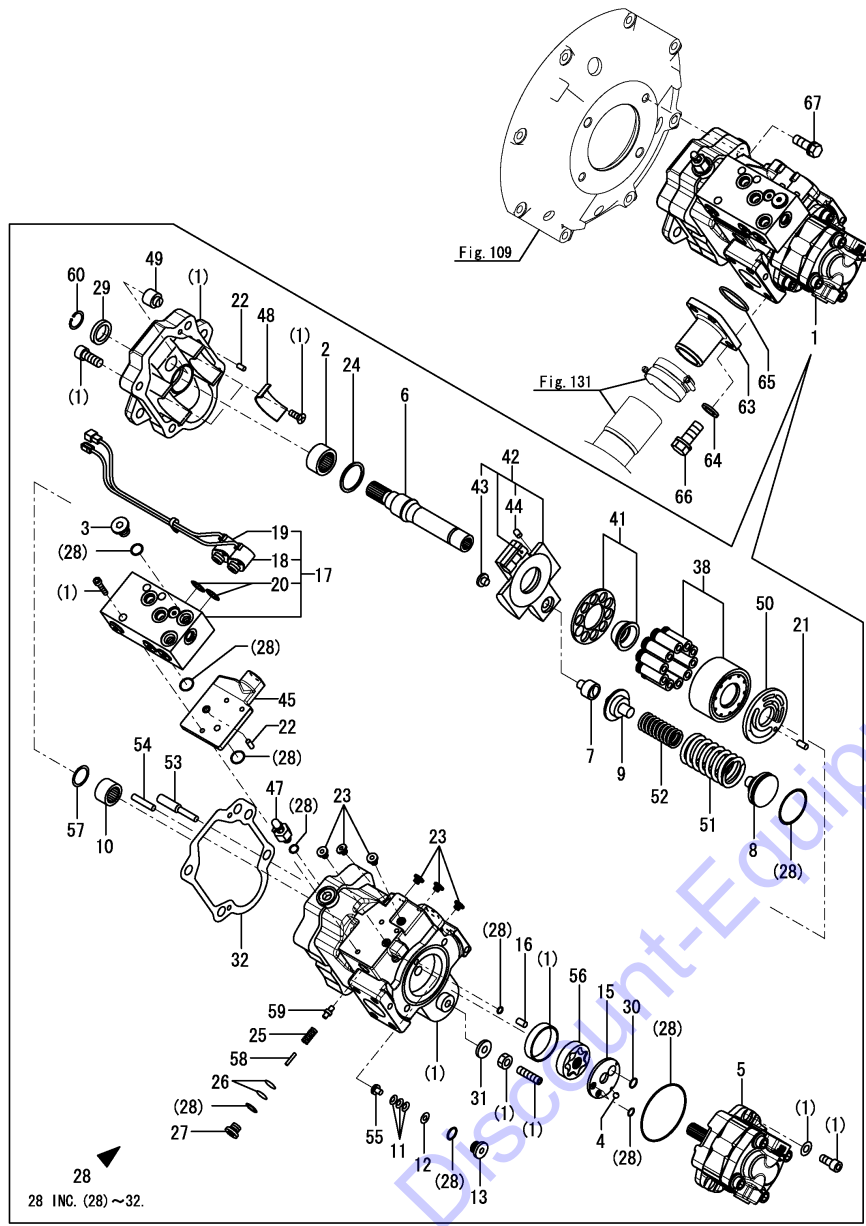
No.	Lev.	Parts No.	Description	Q'ty						I	R
				(A)	(B)	(C)	(D)	(E)	(F)		
1	1	172B04-73120	PUMP ASSY,2SOL AC	1							
2	2	172B06-70120	BEARING, NEEDLE	1							
3	2	172148-70301	PLUG	2							
4	2	172122-70350	BALL, STEEL	1							
5	2	172461-73132	PUMP ASSY, GEAR	1							
6	2	172176-73240	SHAFT	1							
7	2	172460-73240	HOLDER	1							
8	2	172461-73270	SEAT, SPRING	1							
9	2	172176-73290	SEAT, SPRING	1							
10	2	172460-73330	BEARING, NEEDLE	1							
11	2	172460-73350	SPRING, DISK	3							
12	2	172460-73360	WASHER	1							
13	2	172460-73370	PLUG	1							
15	2	172460-73390	PLATE	1							
16	2	172460-73420	PIN	1							
17	2	172460-73431	VALVE, S/A	1							
18	3	172460-73900	VALVE, SOLENOID	1							1
19	3	172460-73910	VALVE, SOLENOID	1							2
20	3	24352-190110	O-RING, 219011	2							
21	2	172122-73480	PIN	1							
22	2	172122-73480	PIN	4							
23	2	172452-73480	PLUG	6							
24	2	172176-73540	THRUST WASHER	1							
25	2	172176-73560	SPRING	1							
26	2	172176-73590	SHIM	2							
27	2	172176-73600	PLUG	1							
28	2	172B04-73620	SEAL KIT,AC	1							
29	3	172176-73271	SEAL, OIL	1							
30	3	172176-73471	O-RING	1							
31	3	172457-73570	SEAL WASHER	1							
32	3	172B04-73710	GASKET	1							
38	2	172B04-73630	REPAIR KIT,CYL BLOCK	1							
41	2	172B04-73640	RETAINER KIT	1							
42	2	172B04-73650	REPAIR KIT,SW PLATE	1							
43	3	172452-73480	PLUG	2							
44	3	172312-74790	ORIFICE	2							
45	2	172B04-73660	REPAIR KIT,SUB-BODY	1							
47	2	172176-73690	BREEDER, AIR	1							
48	2	172B04-73720	BUSH	2							
49	2	172B04-73740	STOPPER,MIN AC	1							
50	2	172B04-73750	PLATE, VALVE	1							
51	2	172B04-73760	SPRING,OUT	1							
52	2	172B04-73770	SPRING,IN	1							
53	2	172B04-73780	PIN	1							
54	2	172B04-73800	PIN,P3 AC	1							
55	2	172B04-73810	STOPPER,MAX	1							
56	2	172176-73880	PUMP ASSY, TROCHOID	1							
57	2	172176-73910	WASHER, THRUST	1							
58	2	172176-73930	PIN	1							
59	2	172176-73940	POPPET	1							
60	2	22252-000420	RING, 42	1							

Remarks
 (1)For safety lock.
 (2)For second gear traveling.

Fig.111. HYDRAULIC PUMP(E.S.S. SPEC.)

(A)=VIO45-6A P(US)
 (B)=VIO45-6A C(US)
 (C)=

(D)=
 (E)=
 (F)=



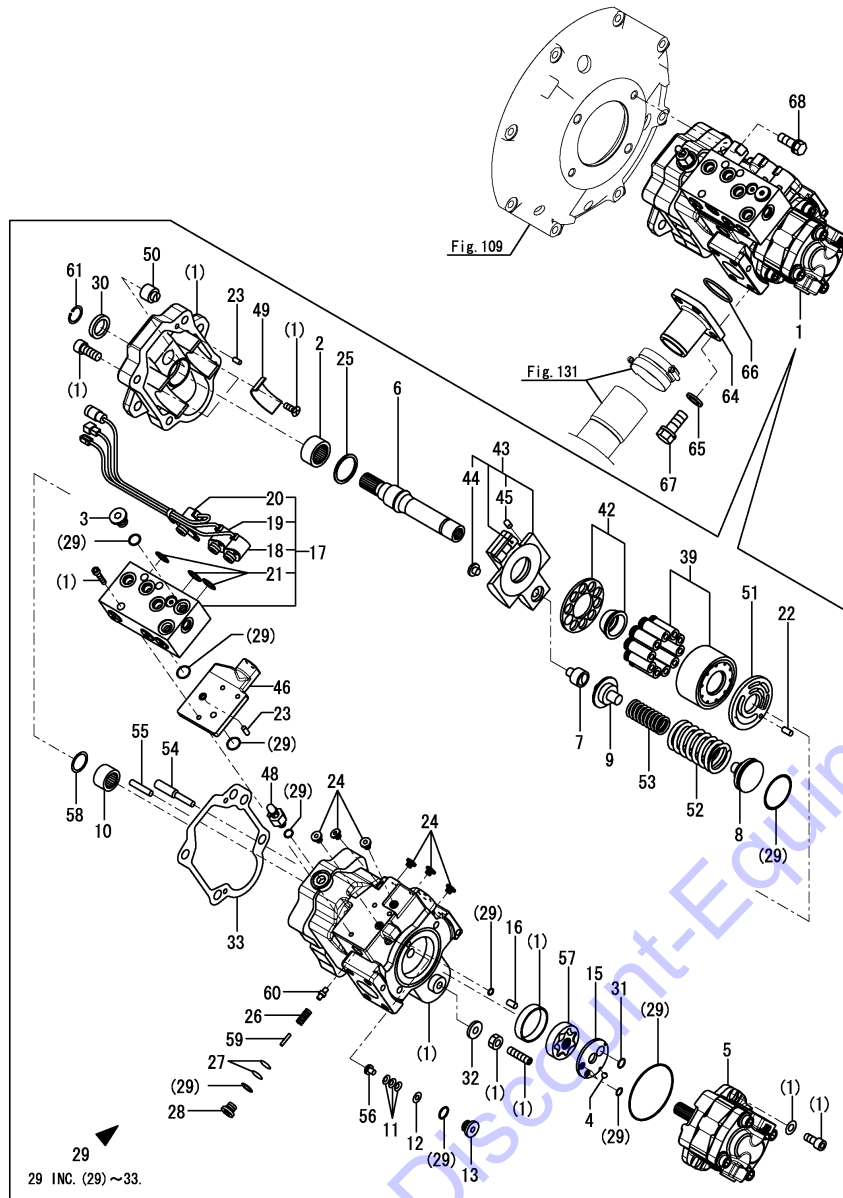
No.	Lev.	Parts No.	Description	Q'ty						I	R
				(A)	(B)	(C)	(D)	(E)	(F)		
63	1	172165-76860	FLANGE		1						
64	1	22117-120000	WASHER, 12		4						
65	1	24321-000450	O-RING, 1AG45.0		1						
66	1	26013-120302	BOLT, M12X 30		4						
67	1	26013-120352	BOLT, M12X 35		2						

Remarks
 (1)For safety lock.
 (2)For second gear traveling.

Fig.112. HYDRAULIC PUMP(E.S.S. & QUICK COUPLER SPEC.)

(A)=VIO45-6A P(US)
 (B)=VIO45-6A C(US)
 (C)=

(D)=
 (E)=
 (F)=



No.	Lev.	Parts No.	Description	Q'ty						I	R
				(A)	(B)	(C)	(D)	(E)	(F)		
1	1	172B04-73130	PUMP ASSY,3SOL AC	1							
2	2	172B06-70120	BEARING, NEEDLE	1							
3	2	172148-70301	PLUG	2							
4	2	172122-70350	BALL, STEEL	1							
5	2	172461-73132	PUMP ASSY, GEAR	1							
6	2	172176-73240	SHAFT	1							
7	2	172460-73240	HOLDER	1							
8	2	172461-73270	SEAT, SPRING	1							
9	2	172176-73290	SEAT, SPRING	1							
10	2	172460-73330	BEARING, NEEDLE	1							
11	2	172460-73350	SPRING, DISK	3							
12	2	172460-73360	WASHER	1							
13	2	172460-73370	PLUG	1							
15	2	172460-73390	PLATE	1							
16	2	172460-73420	PIN	1							
17	2	172960-73431	VALVE, S/A	1							
18	3	172460-73900	VALVE, SOLENOID	1							1
19	3	172460-73910	VALVE, SOLENOID	1							2
20	3	172460-73920	VALVE, SOLENOID	1							3
21	3	24352-190110	O-RING, 219011	3							
22	2	172122-73480	PIN	1							
23	2	172122-73480	PIN	4							
24	2	172452-73480	PLUG	6							
25	2	172176-73540	THRUST WASHER	1							
26	2	172176-73560	SPRING	1							
27	2	172176-73590	SHIM	2							
28	2	172176-73600	PLUG	1							
29	2	172B04-73620	SEAL KIT,AC	1							
30	3	172176-73271	SEAL, OIL	1							
31	3	172176-73471	O-RING	1							
32	3	172457-73570	SEAL WASHER	1							
33	3	172B04-73710	GASKET	1							
39	2	172B04-73630	REPAIR KIT,CYL BLOCK	1							
42	2	172B04-73640	RETAINER KIT	1							
43	2	172B04-73650	REPAIR KIT,SW PLATE	1							
44	3	172452-73480	PLUG	2							
45	3	172312-74790	ORIFICE	2							
46	2	172B04-73660	REPAIR KIT,SUB-BODY	1							
48	2	172176-73690	BREEDER, AIR	1							
49	2	172B04-73720	BUSH	2							
50	2	172B04-73740	STOPPER,MIN AC	1							
51	2	172B04-73750	PLATE,VALVE	1							
52	2	172B04-73760	SPRING,OUT	1							
53	2	172B04-73770	SPRING,IN	1							
54	2	172B04-73780	PIN	1							
55	2	172B04-73800	PIN,P3 AC	1							
56	2	172B04-73810	STOPPER,MAX	1							
57	2	172176-73880	PUMP ASSY, TROCHOID	1							
58	2	172176-73910	WASHER, THRUST	1							
59	2	172176-73930	PIN	1							
60	2	172176-73940	POPPET	1							

Remarks

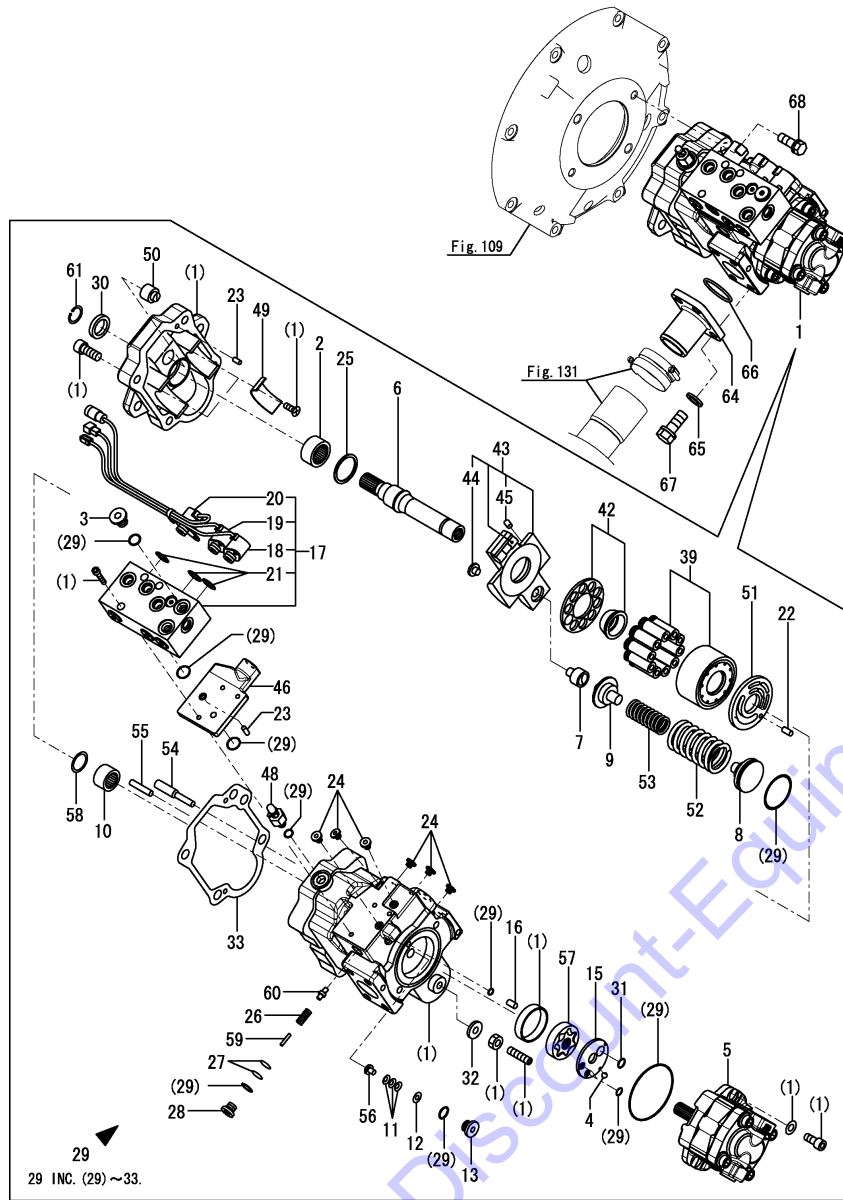
- (1)For safety lock.
- (2)For second gear traveling.
- (3)For quick coupler.

Fig.112. HYDRAULIC PUMP(E.S.S. & QUICK COUPLER SPEC.)

(A)=VIO45-6A P(US)
 (B)=VIO45-6A C(US)
 (C)=

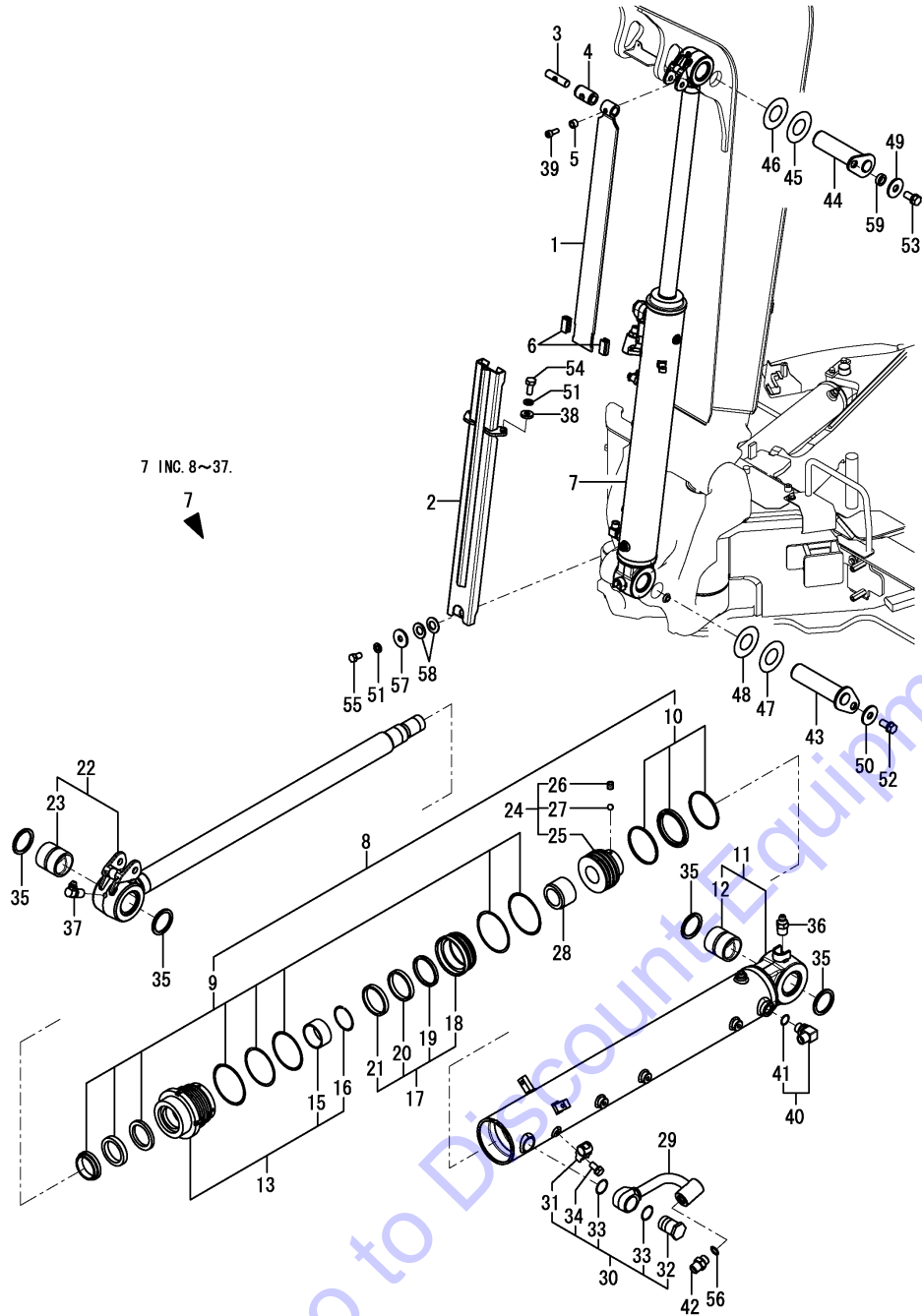
(D)=
 (E)=
 (F)=

No.	Lev.	Parts No.	Description	Q'ty						I	R
				(A)	(B)	(C)	(D)	(E)	(F)		
61	2	22252-000420	RING, 42		1						
64	1	172165-76860	FLANGE		1						
65	1	22117-120000	WASHER, 12		4						
66	1	24321-000450	O-RING, 1AG45.0		1						
67	1	26013-120302	BOLT, M12X 30		4						
68	1	26013-120352	BOLT, M12X 35		2						



Remarks
 (1)For safety lock.
 (2)For second gear traveling.
 (3)For quick coupler.

Fig.113. BOOM CYLINDER

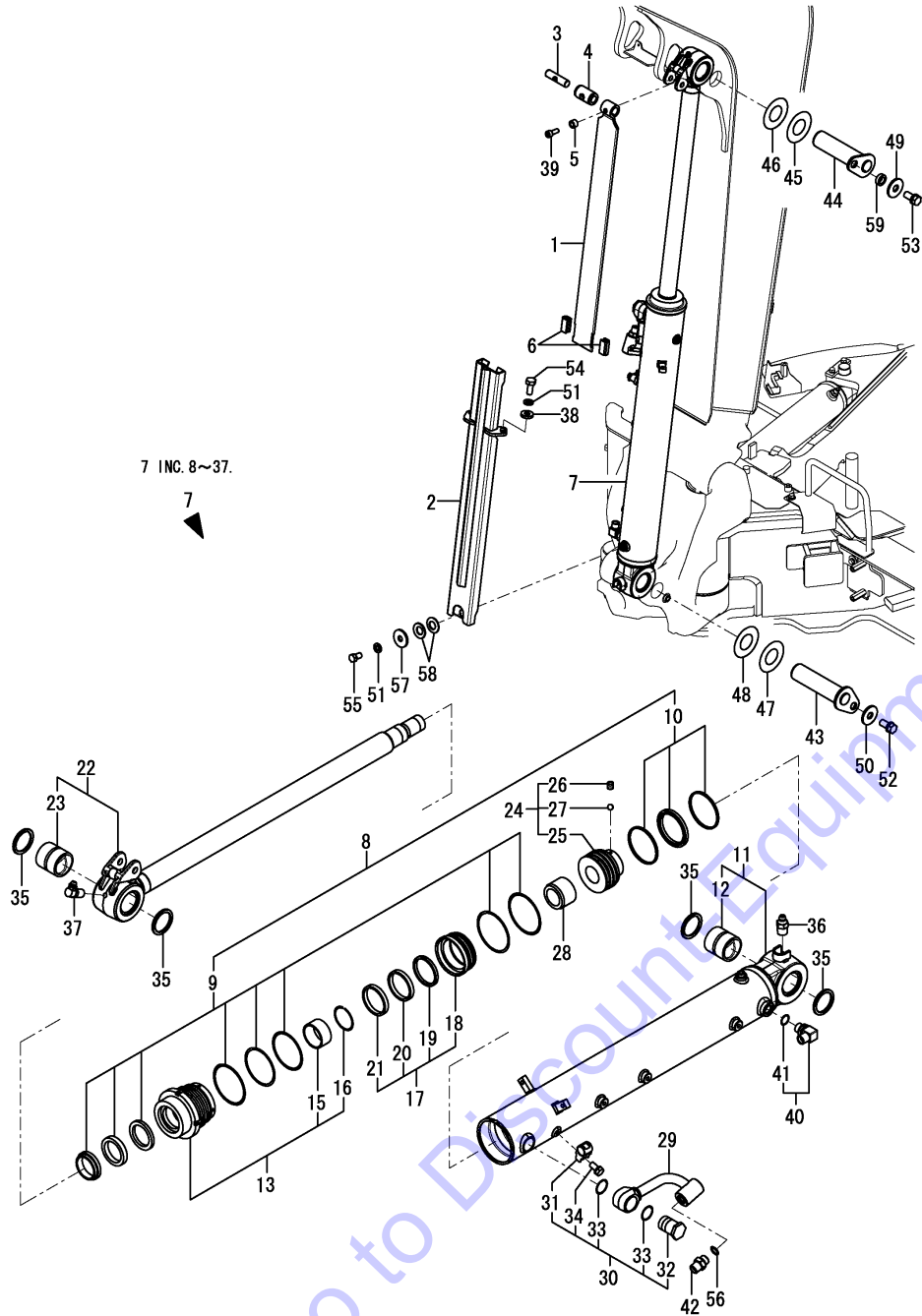


(A)=VIO45-6A P(US)
 (B)=VIO45-6A C(US)
 (C)=

(D)=
 (E)=
 (F)=

No.	Lev.	Parts No.	Description	Q'ty						I	R
				(A)	(B)	(C)	(D)	(E)	(F)		
1	1	172B04-71890	PLATE,SLIDE 810	1	1						
2	1	172B04-71900	GUIDE ASSY, 860	1	1						
3	1	172A23-72043	SHAFT	1	1						
4	1	172A23-72052	GROMMET	1	1						
5	1	172A46-72070	SPACER	1	1						
6	1	172A23-72081	GUIDE, SLIDE	2	2						
7	1	172B04-72100	CYLINDER ASSY, BOOM	1	1						
8	2	172B04-72010	SEAL KIT, CYL.95X50	1	1						
9	3	172B04-72280	SEAL SET, HEAD 95X50	1	1						
10	3	172B04-72290	SEAL SET,PISTON 95	1	1						
11	2	172B04-72110	TUBE ASSY, BOOM	1	1						
12	3	172B04-72120	BUSH, 50X60X75	1	1						
13	2	172B04-72130	HEAD ASSY, 95 50	1	1						
15	3	172A79-72970	BUSH,HEAD	1	1						
16	3	172A79-72980	RING, SNAP	1	1						
17	2	172B04-72150	HOLDER ASSY	1	1						
18	3	172B04-72160	HOLDER	1	1						
19	3	172B04-72170	SPACER	1	1						
20	3	172B04-72180	SEAL,CUSHION	1	1						
21	3	172B04-72190	COLLAR	1	1						
22	2	172B04-72200	ROD ASSY, BOOM	1	1						
23	3	172B04-72120	BUSH, 50X60X75	1	1						
24	2	172B04-72210	PISTON ASSY	1	1						
25	3	172B04-72220	PISTON	1	1						
26	3	172A79-72870	SCREW,M8	1	1						
27	3	24190-070002	BALL, STEEL 7/32	1	1						
28	2	172B04-72230	CUSHION,BEARING	1	1						
29	2	172B04-72240	PIPE ASSY, BOOM	1	1						
30	2	172B04-72250	PLUG ASSY	1	1						
31	3	172B04-72260	HOLDER,TUBE	1	1						
32	3	172B04-72470	PLUG	1	1						
33	3	24315-000260	O-RING, 1BP26.0	2	2						
34	3	26013-080162	BOLT, M8X 16	1	1						
35	2	172A79-72760	SEAL,DUST	4	4						
36	2	24761-020000	NIPPLE, GREASE PT1/8	1	1						
37	2	24761-050000	NIPPLE, GREASE C	1	1						
38	1	172A79-72570	WASHER	2	2						
39	1	172A47-72840	BOLT	1	1						
40	1	172141-76900	CONNECTOR ASSY	1	1						
41	2	24315-000180	O-RING, 1BP18.0	1	1						
42	1	172112-77361	CONNECTOR	1	1						
43	1	172B04-81820	PIN ASSY, 50X194	1	1						
44	1	172B04-81820	PIN ASSY, 50X194	1	1						
45	1	172165-82520	SHIM	1	1						
46	1	172165-82530	SHIM	1	1						
47	1	172162-83540	SHIM	1	1						
48	1	172162-83550	SHIM	1	1						
49	1	22157-120000	WASHER, 12	1	1						
50	1	22157-120000	WASHER, 12	1	1						
51	1	22217-100000	WASHER, SPRING 10	3	3						
52	1	26013-120252	BOLT, M12X 25	1	1						

Fig.113. BOOM CYLINDER

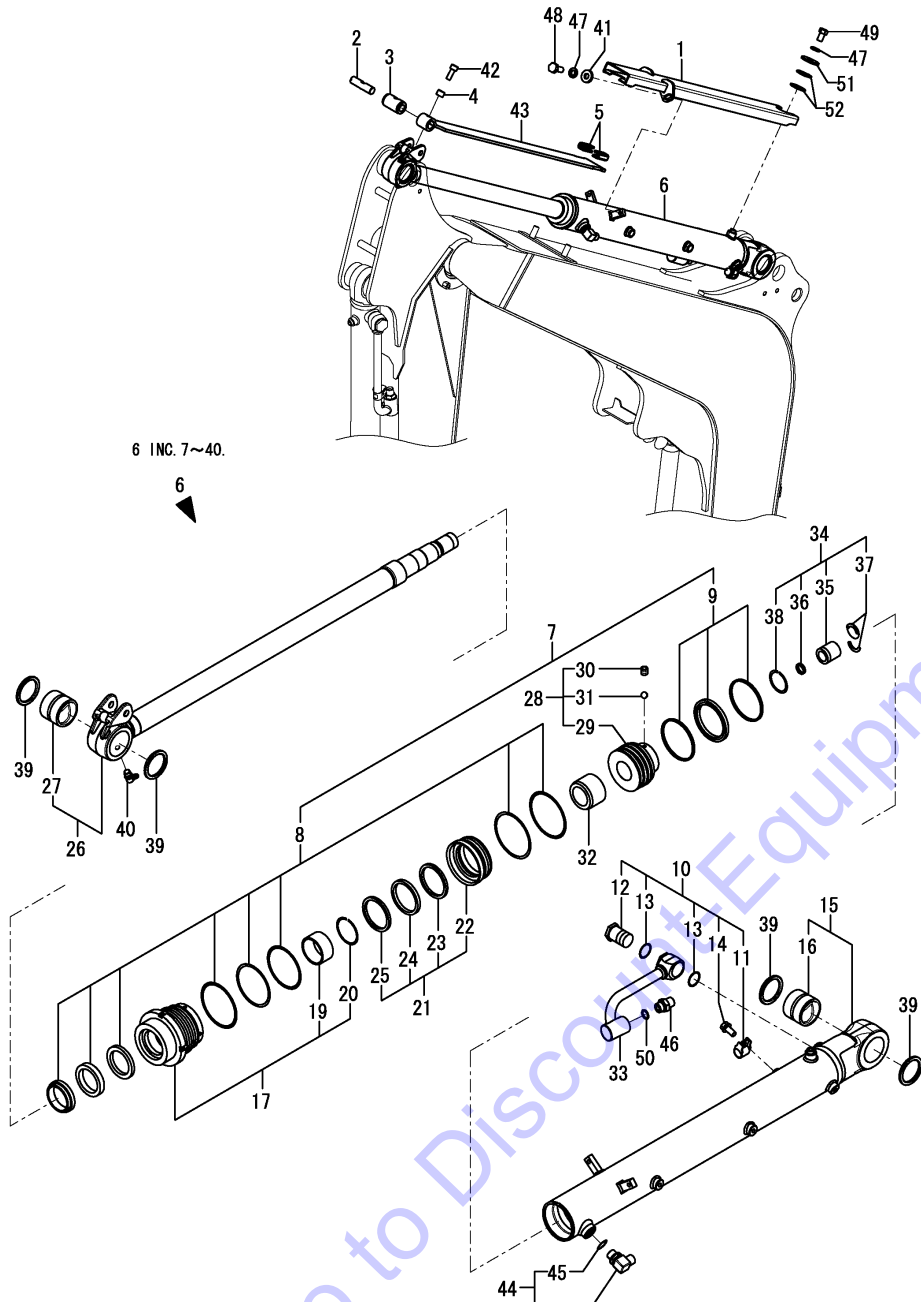


(A)=VIO45-6A P(US)
 (B)=VIO45-6A C(US)
 (C)=

(D)=
 (E)=
 (F)=

No.	Lev.	Parts No.	Description	Q'ty						I	R
				(A)	(B)	(C)	(D)	(E)	(F)		
53	1	26013-120252	BOLT, M12X 25	1	1						
54	1	26076-100252	BOLT, 10.910X 25	2	2						
55	1	26116-100162	BOLT, M10X 16 PLATED	1	1						
56	1	41851-000180	O-RING	1	1						
57	1	933147-03400	WASHER, BRAKE ARM	1	1						
58	1	933168-14170	SPRING	2	2						
59	1	172164-81670	SPACER	1	1						

Fig.114. ARM CYLINDER



(A)=VIO45-6A P(US)

(B)=VIO45-6A C(US)

(C)=

(D)=

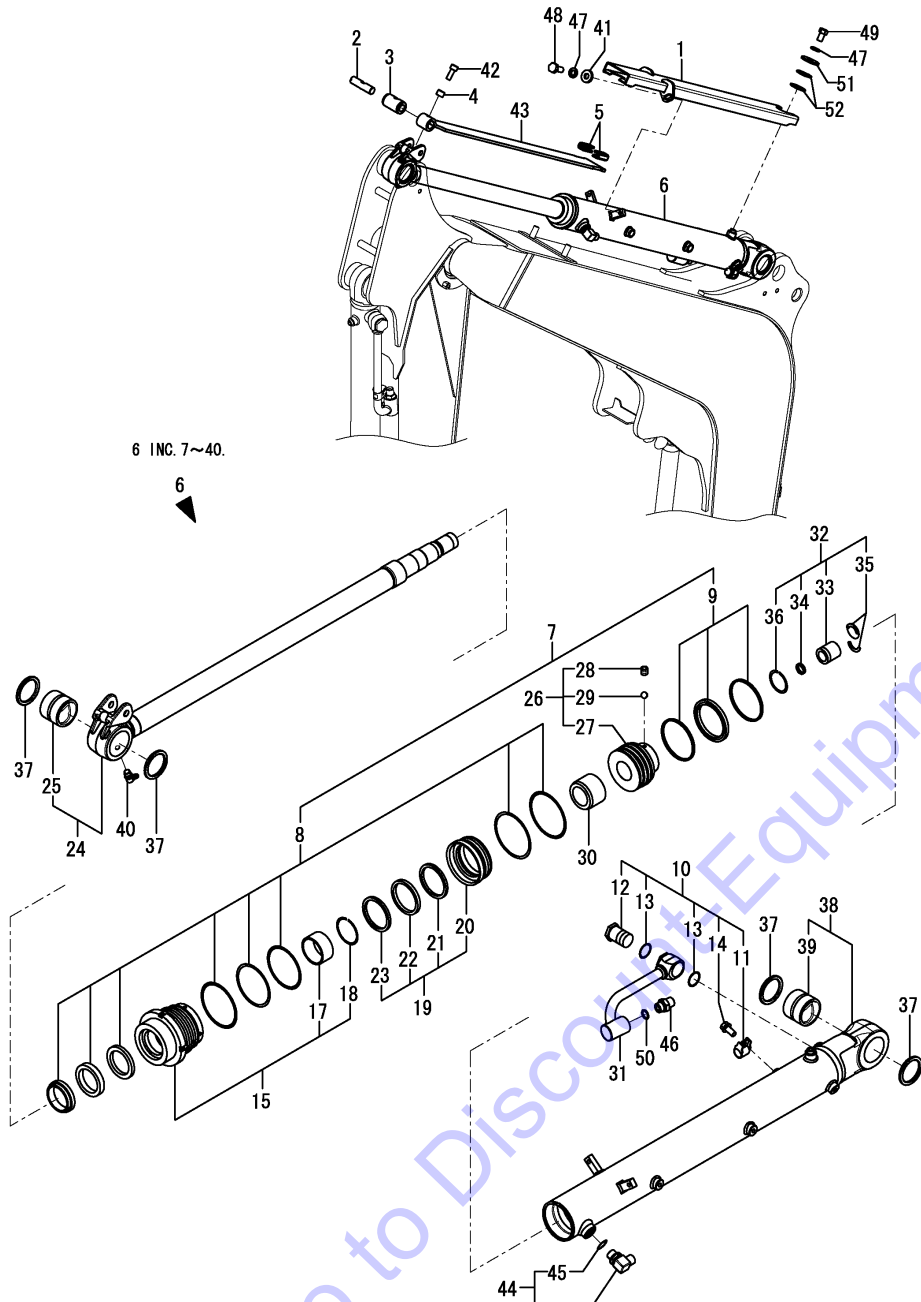
(E)=

(F)=

No.	Lev.	Parts No.	Description	Q'ty						I	R
				(A)	(B)	(C)	(D)	(E)	(F)		
1	1	172B04-71950	GUIDE ASSY, 860 A		1						
2	1	172A23-72043	SHAFT		1						
3	1	172A23-72052	GROMMET		1						
4	1	172A46-72070	SPACER		1						
5	1	172A23-72081	GUIDE, SLIDE		2						
6	1	172B04-72300	CYLINDER ASSY, ARM		1						
7	2	172B04-72030	SEAL KIT, CYL.80X50		1						
8	3	172B04-72480	SEAL SET, HEAD 80X50		1						
9	3	172B04-72490	SEAL SET,PISTON 80		1						
10	2	172B04-72250	PLUG ASSY		1						
11	3	172B04-72260	HOLDER,TUBE		1						
12	3	172B04-72470	PLUG		1						
13	3	24315-000260	O-RING, 1BP26.0		2						
14	3	26013-080162	BOLT, M8X 16		1						
15	2	172B04-72310	TUBE ASSY, ARM		1						
16	3	172A79-72920	BUSH,PIN 50		1						
17	2	172B04-72330	HEAD ASSY, 80 50		1						
19	3	172A79-72970	BUSH,HEAD		1						
20	3	172A79-72980	RING, SNAP		1						
21	2	172B04-72350	HOLDER ASSY		1						
22	3	172B04-72360	HOLDER		1						
23	3	172B04-72370	SPACER		1						
24	3	172B04-72380	SEAL,CUSHION		1						
25	3	172B04-72390	COLLAR		1						
26	2	172B04-72400	ROD ASSY, ARM		1						
27	3	172A79-72920	BUSH,PIN 50		1						
28	2	172B04-72410	PISTON ASSY		1						
29	3	172B04-72420	PISTON		1						
30	3	172A79-72870	SCREW,M8		1						
31	3	24190-070002	BALL, STEEL 7/32		1						
32	2	172B04-72430	CUSHION,BEARING		1						
33	2	172B04-72440	PIPE ASSY, ARM		1						
34	2	172A79-72700	CUSHION ASSY,ARM		1						
35	3	172A79-72710	PLUNGER,CUSHION		1						
36	3	172A79-72720	SEAL,CUSHION		1						
37	3	172A79-72730	STOPPER,CUSHION		2						
38	3	172A79-72740	RING, SNAP		1						
39	2	172A79-72760	SEAL,DUST		4						
40	2	24761-050000	NIPPLE, GREASE C		1						
41	1	172A79-72570	WASHER		2						
42	1	172A47-72840	BOLT		1						
43	1	172A27-72951-N	PLATE, SLIDE		1						
44	1	172141-76900	CONNECTOR ASSY		1						
45	2	24315-000180	O-RING, 1BP18.0		1						
46	1	172112-77361	CONNECTOR		1						
47	1	22217-100000	WASHER, SPRING 10		3						
48	1	26076-100252	BOLT, 10.910X 25		2						
49	1	26116-100162	BOLT, M10X 16 PLATED		1						
50	1	41851-000180	O-RING		1						
51	1	933147-03400	WASHER, BRAKE ARM		1						
52	1	933168-14170	SPRING		2						

N:Old $\frac{Yes}{No}$ New, Q:Old $\frac{No}{Yes}$ New, R:Old $\frac{Yes}{Yes}$ New, S:Old $\frac{No}{No}$ New, W:Add, Z:Discontinued, F:Interchangeable by set, K:Q'ty Change

Fig.115. ARM CYLINDER(QUICK COUPLER SPEC.)



(A)=VIO45-6A P(US)
 (B)=VIO45-6A C(US)
 (C)=

(D)=
 (E)=
 (F)=

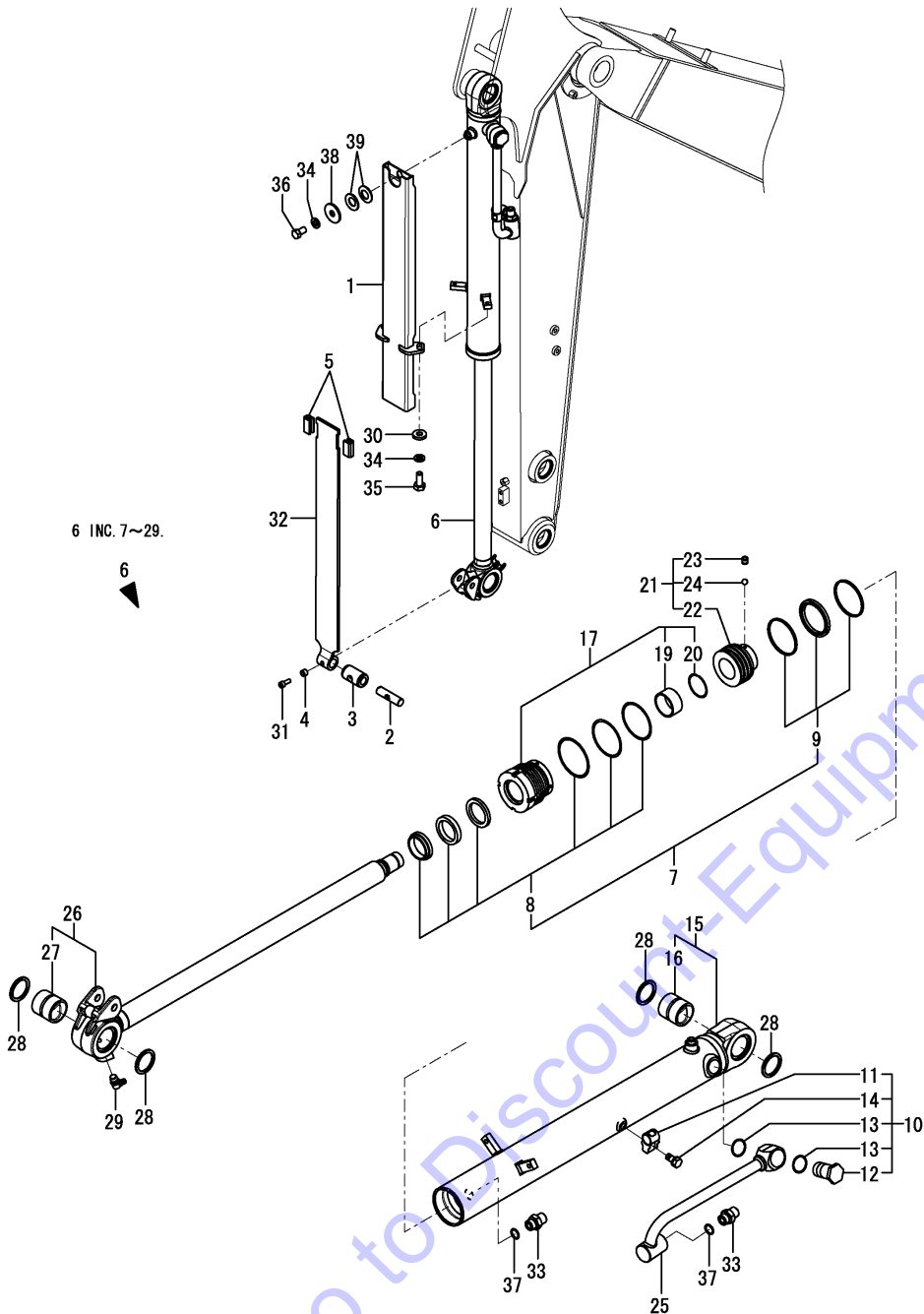
No.	Lev.	Parts No.	Description	Q'ty						I	R
				(A)	(B)	(C)	(D)	(E)	(F)		
1	1	172B04-71950	GUIDE ASSY, 860 A	1	1						
2	1	172A23-72043	SHAFT	1	1						
3	1	172A23-72052	GROMMET	1	1						
4	1	172A46-72070	SPACER	1	1						
5	1	172A23-72081	GUIDE, SLIDE	2	2						
6	1	172B04-72450	CYLINDER ASSY,ARM Q	1	1						
7	2	172B04-72030	SEAL KIT, CYL.80X50	1	1						
8	3	172B04-72480	SEAL SET, HEAD 80X50	1	1						
9	3	172B04-72490	SEAL SET,PISTON 80	1	1						
10	2	172B04-72250	PLUG ASSY	1	1						
11	3	172B04-72260	HOLDER,TUBE	1	1						
12	3	172B04-72470	PLUG	1	1						
13	3	24315-000260	O-RING, 1BP26.0	2	2						
14	3	26013-080162	BOLT, M8X 16	1	1						
15	2	172B04-72330	HEAD ASSY, 80 50	1	1						
17	3	172A79-72970	BUSH,HEAD	1	1						
18	3	172A79-72980	RING, SNAP	1	1						
19	2	172B04-72350	HOLDER ASSY	1	1						
20	3	172B04-72360	HOLDER	1	1						
21	3	172B04-72370	SPACER	1	1						
22	3	172B04-72380	SEAL,CUSHION	1	1						
23	3	172B04-72390	COLLAR	1	1						
24	2	172B04-72400	ROD ASSY, ARM	1	1						
25	3	172A79-72920	BUSH,PIN 50	1	1						
26	2	172B04-72410	PISTON ASSY	1	1						
27	3	172B04-72420	PISTON	1	1						
28	3	172A79-72870	SCREW,M8	1	1						
29	3	24190-070002	BALL, STEEL 7/32	1	1						
30	2	172B04-72430	CUSHION,BEARING	1	1						
31	2	172B04-72440	PIPE ASSY, ARM	1	1						
32	2	172A79-72700	CUSHION ASSY,ARM	1	1						
33	3	172A79-72710	PLUNGER,CUSHION	1	1						
34	3	172A79-72720	SEAL,CUSHION	1	1						
35	3	172A79-72730	STOPPER,CUSHION	2	2						
36	3	172A79-72740	RING, SNAP	1	1						
37	2	172A79-72760	SEAL,DUST	4	4						
38	2	172B04-72910	TUBE ASSY, ARM Q	1	1						
39	3	172A79-72920	BUSH,PIN 50	1	1						
40	2	24761-050000	NIPPLE, GREASE C	1	1						
41	1	172A79-72570	WASHER	2	2						
42	1	172A47-72840	BOLT	1	1						
43	1	172A27-72951-N	PLATE, SLIDE	1	1						
44	1	172141-76900	CONNECTOR ASSY	1	1						
45	2	24315-000180	O-RING, 1BP18.0	1	1						
46	1	172112-77361	CONNECTOR	1	1						
47	1	22217-100000	WASHER, SPRING 10	3	3						
48	1	26076-100252	BOLT, 10.910X 25	2	2						
49	1	26116-100162	BOLT, M10X 16 PLATED	1	1						
50	1	41851-000180	O-RING	1	1						
51	1	933147-03400	WASHER, BRAKE ARM	1	1						
52	1	933168-14170	SPRING	2	2						

N:Old $\begin{matrix} \leftarrow \text{Yes} \\ \text{No} \end{matrix}$ New, Q:Old $\begin{matrix} \leftarrow \text{No} \\ \text{Yes} \end{matrix}$ New, R:Old $\begin{matrix} \text{Yes} \\ \leftarrow \end{matrix}$ New, S:Old $\begin{matrix} \text{No} \\ \leftarrow \end{matrix}$ New, W:Add, Z:Discontinued, F:Interchangeable by set, K:Q'ty Change

Fig.116. BUCKET CYLINDER

(A)=VIO45-6A P(US)
 (B)=VIO45-6A C(US)
 (C)=

(D)=
 (E)=
 (F)=



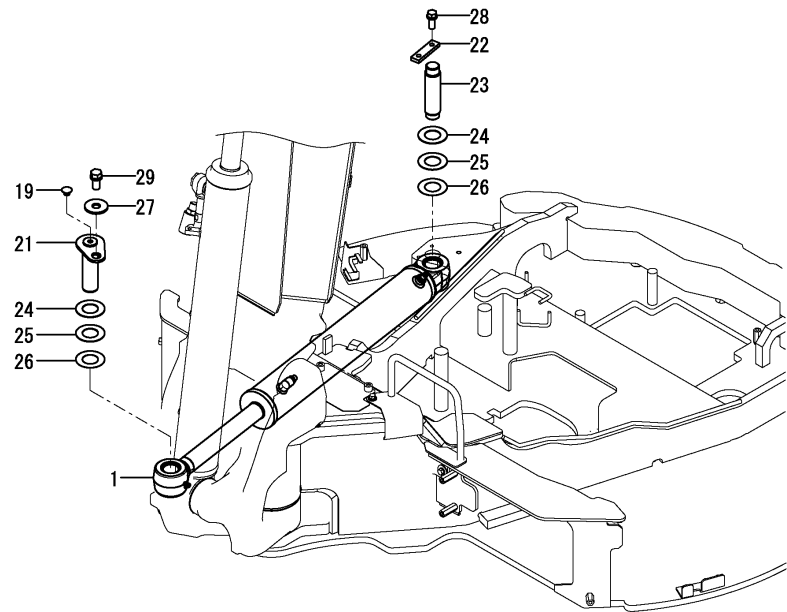
No.	Lev.	Parts No.	Description	Q'ty						I	R
				(A)	(B)	(C)	(D)	(E)	(F)		
1	1	172B04-71960	GUIDE ASSY, 747 A	1	1						
2	1	172A23-72043	SHAFT	1	1						
3	1	172A23-72052	GROMMET	1	1						
4	1	172A46-72070	SPACER	1	1						
5	1	172A23-72081	GUIDE, SLIDE	2	2						
6	1	172B04-72500	CYLINDER ASSY,BUCKET	1	1						
7	2	172B04-72050	SEAL KIT, CYL.70X45	1	1						
8	3	172B04-72680	SEAL SET, HEAD 70X45	1	1						
9	3	172B04-72690	SEAL SET,PISTON 70	1	1						
10	2	172B04-72250	PLUG ASSY	1	1						
11	3	172B04-72260	HOLDER,TUBE	1	1						
12	3	172B04-72470	PLUG	1	1						
13	3	24315-000260	O-RING, 1BP26.0	2	2						
14	3	26013-080162	BOLT, M8X 16	1	1						
15	2	172B04-72510	TUBE ASSY,BUCKET	1	1						
16	3	172B04-72520	BUSH, 45X55X40	1	1						
17	2	172B04-72530	HEAD ASSY, 70 45	1	1						
19	3	172B04-72550	BUSH, 45	1	1						
20	3	172B04-72560	RING, SNAP	1	1						
21	2	172B04-72570	PISTON ASSY	1	1						
22	3	172B04-72580	PISTON	1	1						
23	3	172A79-72870	SCREW,M8	1	1						
24	3	24190-070002	BALL, STEEL 7/32	1	1						
25	2	172B04-72590	PIPE ASSY,BUCKET	1	1						
26	2	172B04-72600	ROD ASSY, BUCKET	1	1						
27	3	172B04-72610	BUSH, 45X55X50	1	1						
28	2	172B04-72620	SEAL, DUST 45	4	4						
29	2	24761-050000	NIPPLE, GREASE C	1	1						
30	1	172A79-72570	WASHER	2	2						
31	1	172A47-72840	BOLT	1	1						
32	1	172A47-72881-N	PLATE, SLIDE	1	1						
33	1	172112-77361	CONNECTOR	2	2						
34	1	22217-100000	WASHER, SPRING 10	3	3						
35	1	26076-100252	BOLT, 10.910X 25	2	2						
36	1	26116-100162	BOLT, M10X 16 PLATED	1	1						
37	1	41851-000180	O-RING	2	2						
38	1	933147-03400	WASHER, BRAKE ARM	1	1						
39	1	933168-14170	SPRING	2	2						

Fig.117. SWING CYLINDER

(A)=VIO45-6A P(US)
 (B)=VIO45-6A C(US)
 (C)=

(D)=
 (E)=
 (F)=

No.	Lev.	Parts No.	Description	Q'ty						I	R
				(A)	(B)	(C)	(D)	(E)	(F)		
1	1	172B04-72700	CYLINDER ASSY, SWING	1	1						
2	2	172B04-72070	SEAL KIT, CYL.90X45	1	1						
3	3	172B04-72780	SEAL SET, HEAD 90X45	1	1						
4	3	172B04-72790	SEAL SET,PISTON 90	1	1						
5	2	172B04-72650	PISTON ASSY	1	1						
6	3	172B04-72460	PISTON	1	1						
7	3	172A79-72870	SCREW,M8	1	1						
8	3	24190-070002	BALL, STEEL 7/32	1	1						
9	2	172B04-72710	TUBE ASSY, SWING	1	1						
10	3	172B04-72720	BUSH, 40X50X55 S	1	1						
11	2	172B04-72730	ROD ASSY, SWING	1	1						
12	3	172B04-72740	BUSH, 40X50X55	1	1						
13	2	172B04-72750	HEAD ASSY, 90 45	1	1						
14	3	172B04-72270	BUSH, 45	1	1						
16	2	172B04-72770	SEAL,DUST 40	4	4						
17	2	24761-050000	NIPPLE, GREASE C	1	1						
18	1	172123-76121	ADAPTER	2	2						
19	1	172183-81160	CLIP, TREE	1	1						
20	1	172183-81160	CLIP, TREE	2	2						
21	1	172B04-81950	PIN ASSY, 40X132	1	1						
22	1	172A47-81980	PLATE, LOCK	1	1						
23	1	172B04-81980	PIN, 40X126	1	1						
24	1	172165-82580	SHIM	4	4						
25	1	172165-82590	SHIM	4	4						
26	1	172165-82600	SHIM	4	4						
27	1	22157-120000	WASHER, 12	1	1						
28	1	26013-100252	BOLT, M10X 25	2	2						
29	1	26013-120252	BOLT, M12X 25	1	1						
30	1	41851-000110	O-RING	2	2						



1 INC. 2~17.

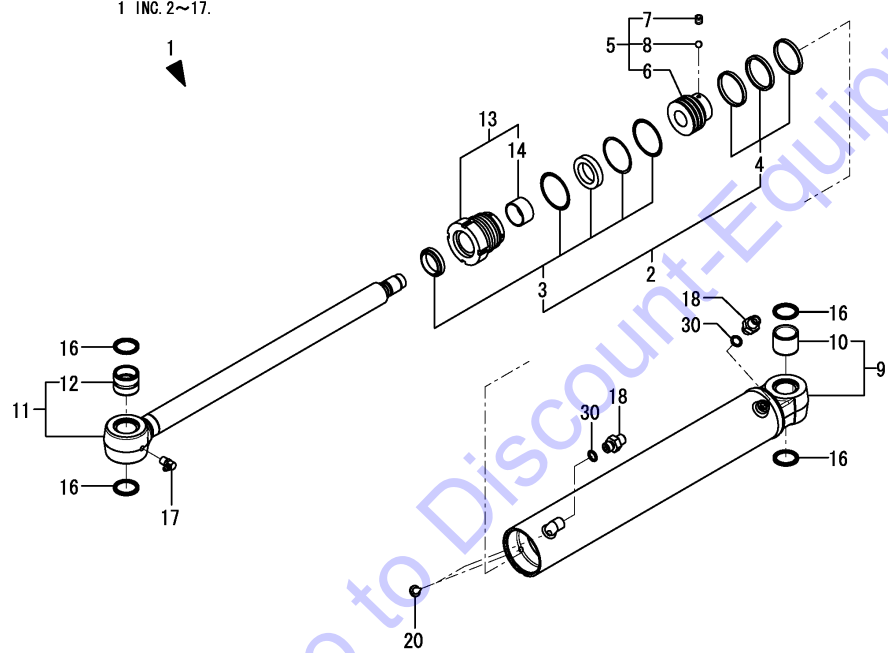
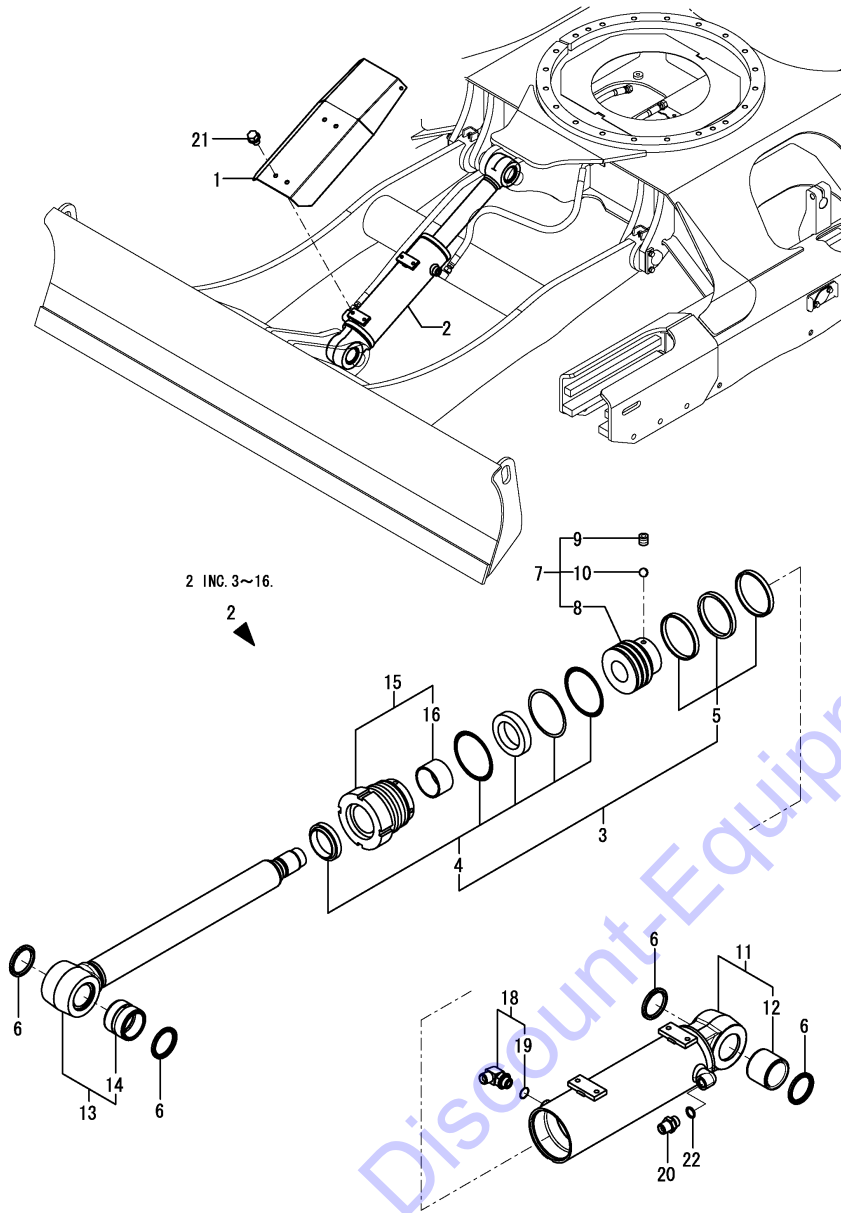


Fig.118. BLADE CYLINDER

(A)=VIO45-6A P(US)
 (B)=VIO45-6A C(US)
 (C)=

(D)=
 (E)=
 (F)=



No.	Lev.	Parts No.	Description	Q'ty						I	R
				(A)	(B)	(C)	(D)	(E)	(F)		
1	1	172B04-71980	COVER ASSY, BLADE		1						
2	1	172B04-72800	CYLINDER ASSY, BLADE		1						
3	2	172B04-72080	SEAL KIT, CYL.95X55		1						
4	3	172B04-72880	SEAL SET, HEAD 95X55		1						
5	3	172B04-72890	SEAL SET,PISTON 95		1						
6	2	172B04-72320	SEAL,DUST 45		4						
7	2	172B04-72630	PISTON ASSY		1						
8	3	172B04-72640	PISTON		1						
9	3	172B04-72870	SCREW		1						
10	3	24190-080002	BALL, STEEL 1/4		1						
11	2	172B04-72810	TUBE ASSY, BLADE		1						
12	3	172B04-72820	BUSH, 45X55X60		1						
13	2	172B04-72830	ROD ASSY, BLADE		1						
14	3	172B04-72820	BUSH, 45X55X60		1						
15	2	172B04-72850	HEAD ASSY, 95 55		1						
16	3	172B04-72840	BUSH, 55		1						
18	1	172142-76181	JOINT ASSY		1						
19	2	24315-000140	O-RING, 1BP14.0		1						
20	1	172186-76410	ADAPTER		1						
21	1	26106-100122	BOLT, M10X 12 PLATED		4						
22	1	41851-000140	O-RING		1						

Remarks

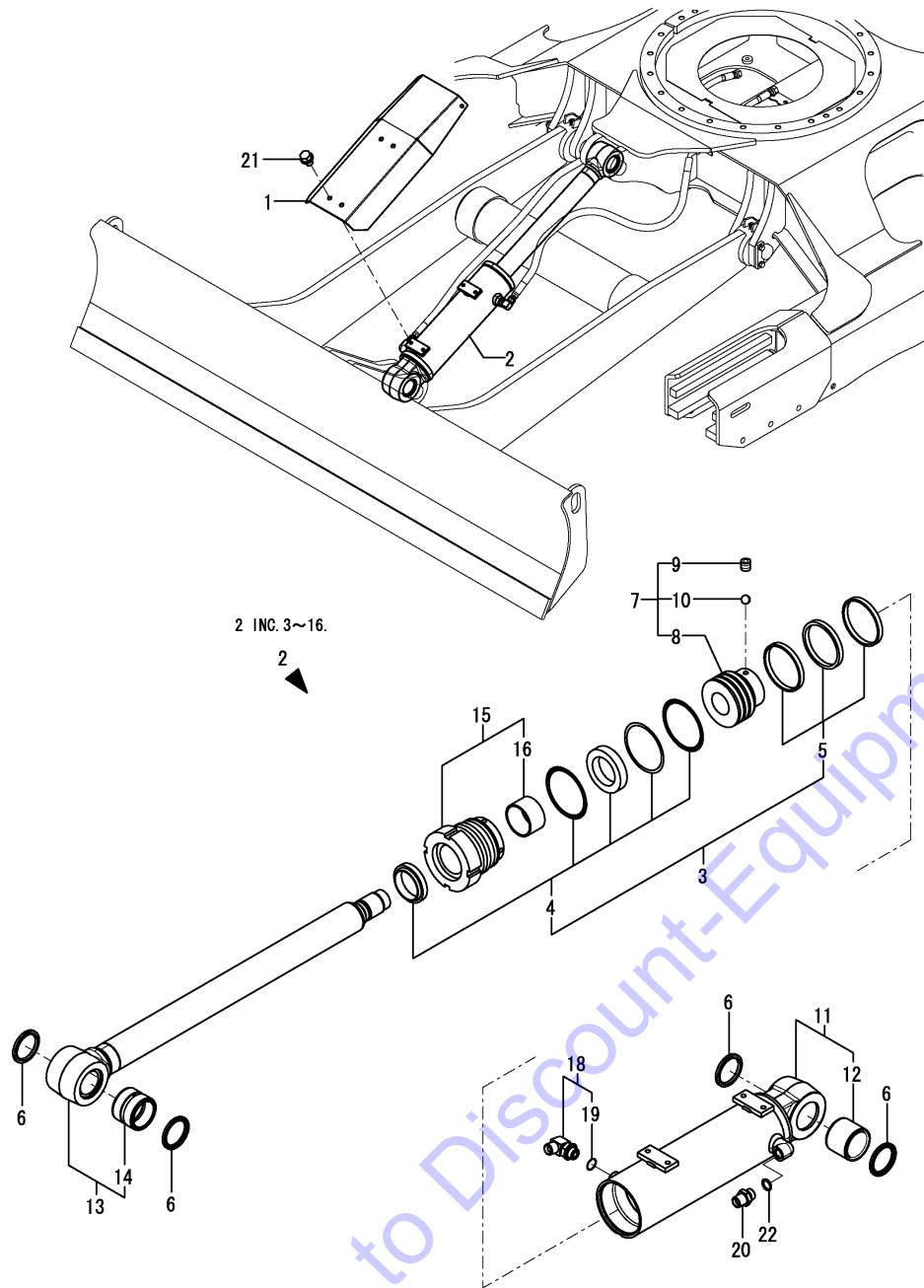
* Not applied for angle blade specification.

N:Old $\xrightarrow{\text{Yes}}$ New, Q:Old $\xrightarrow{\text{No}}$ New, R:Old $\xrightarrow{\text{Yes}}$ New, S:Old $\xrightarrow{\text{No}}$ New, W:Add, Z:Discontinued, F:Interchangeable by set, K:Q'ty Change

Fig.119. BLADE CYLINDER(QUICK COUPLER SPEC.)

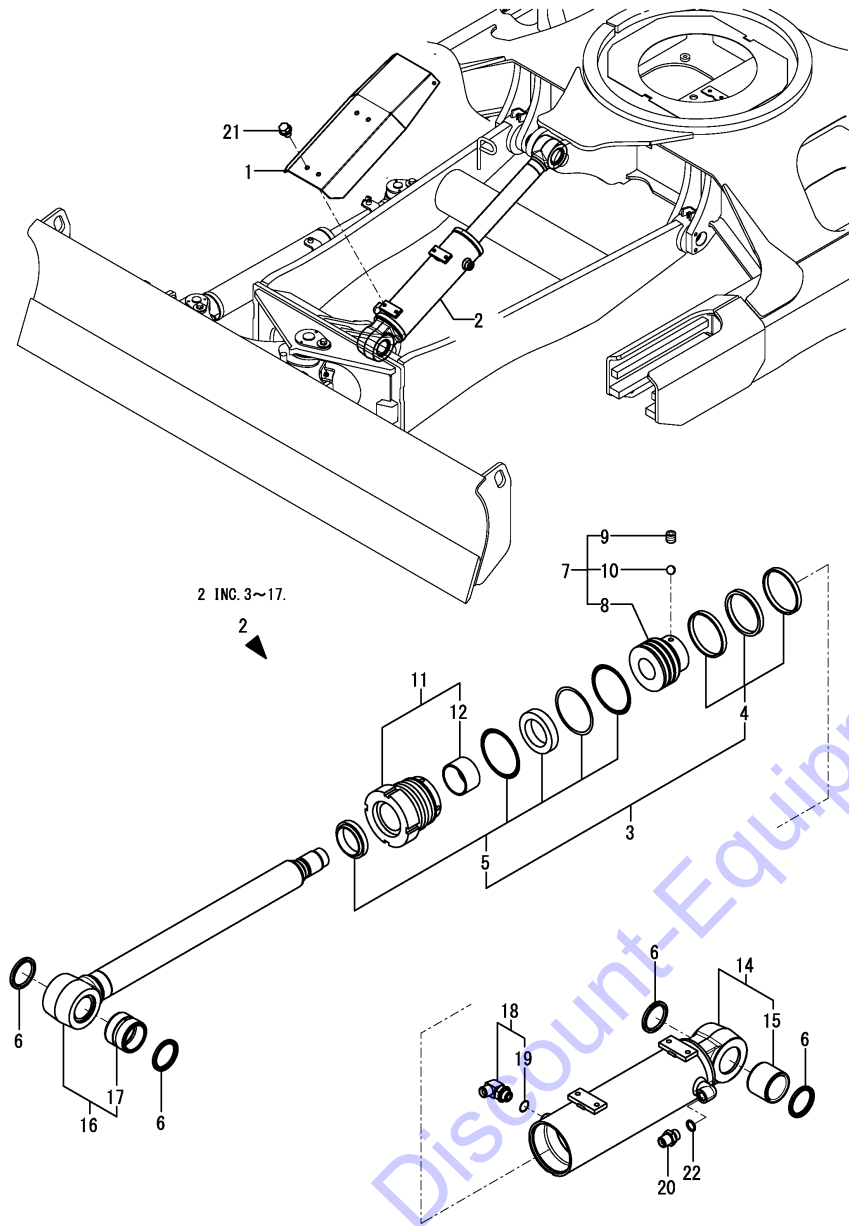
(A)=VIO45-6A P(US)
 (B)=VIO45-6A C(US)
 (C)=

(D)=
 (E)=
 (F)=



No.	Lev.	Parts No.	Description	Q'ty						I	R
				(A)	(B)	(C)	(D)	(E)	(F)		
1	1	172B04-71980	COVER ASSY, BLADE	1	1						
2	1	172B05-72800	CYLINDER ASSY, BLADE Q	1	1						
3	2	172B04-72080	SEAL KIT, CYL.95X55	1	1						
4	3	172B04-72880	SEAL SET, HEAD 95X55	1	1						
5	3	172B04-72890	SEAL SET, PISTON 95	1	1						
6	2	172B04-72320	SEAL, DUST 45	4	4						
7	2	172B04-72630	PISTON ASSY	1	1						
8	3	172B04-72640	PISTON	1	1						
9	3	172B04-72870	SCREW	1	1						
10	3	24190-080002	BALL, STEEL 1/4	1	1						
11	2	172B05-72810	TUBE ASSY, BLADE Q	1	1						
12	3	172B04-72820	BUSH, 45X55X60	1	1						
13	2	172B05-72830	ROD ASSY, BLADE Q	1	1						
14	3	172B04-72820	BUSH, 45X55X60	1	1						
15	2	172B04-72850	HEAD ASSY, 95 55	1	1						
16	3	172B04-72840	BUSH, 55	1	1						
18	1	172142-76181	JOINT ASSY	1	1						
19	2	24315-000140	O-RING, 1BP14.0	1	1						
20	1	172186-76410	ADAPTER	1	1						
21	1	26106-100122	BOLT, M10X 12 PLATED	4	4						
22	1	41851-000140	O-RING	1	1						

Fig.179. (119A)BLADE CYLINDER(ANGLE BLADE SPEC.)



(A)=VIO45-6A P(US)
 (B)=VIO45-6A C(US)
 (C)=

(D)=
 (E)=
 (F)=

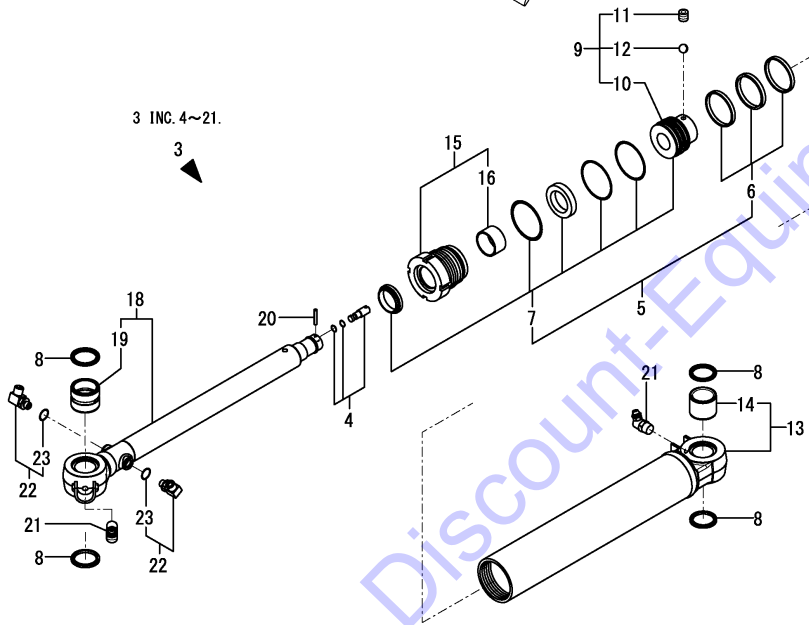
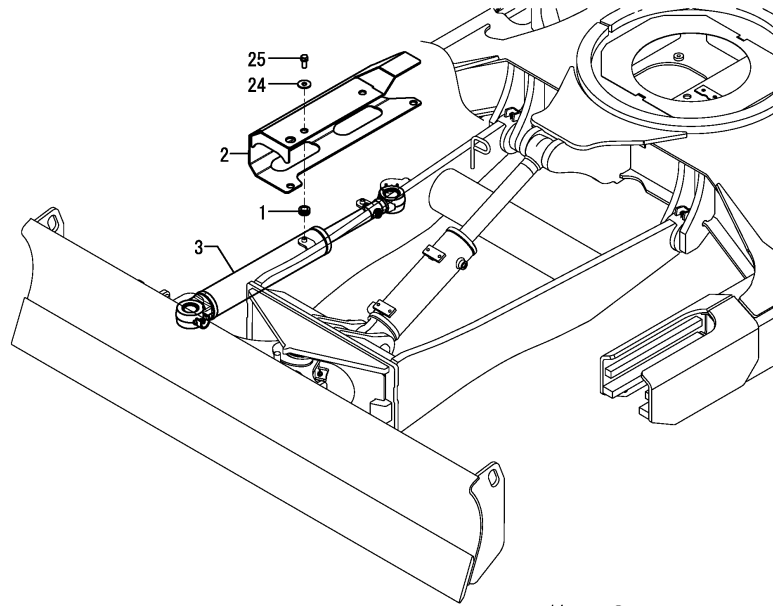
No.	Lev.	Parts No.	Description	Q'ty						I	R
				(A)	(B)	(C)	(D)	(E)	(F)		
1	1	172B04-71980	COVER ASSY, BLADE	1	1						
2	1	172B05-72900	CYLINDER ASSY, BLADEA	1	1						
3	2	172B04-72080	SEAL KIT, CYL.95X55	1	1						
4	3	172B04-72290	SEAL SET, PISTON 95	1	1						
5	3	172B04-72880	SEAL SET, HEAD 95X55	1	1						
6	2	172B05-72490	SEAL, DUST 45	4	4						
7	2	172B04-72630	PISTON ASSY	1	1						
8	3	172B04-72640	PISTON	1	1						
9	3	172B04-72870	SCREW	1	1						
10	3	24190-080002	BALL, 1/4	1	1						
11	2	172B04-72850	HEAD ASSY, 95 55	1	1						
12	3	172B04-72840	BUSH, 55	1	1						
14	2	172B05-72920	TUBE ASSY, BLADE ANG	1	1						
15	3	172B05-72840	BUSH, 45X55X60	1	1						
16	2	172B05-72930	ROD ASSY, BLADE ANG	1	1						
17	3	172B05-72840	BUSH, 45X55X60	1	1						
18	1	172142-76181	JOINT, 90-3/8	1	1						
19	2	24315-000140	PACKING, P 14.0	1	1						
20	1	172186-76410	ADAPTER, MALE/MALE	1	1						
21	1	26106-100122	BOLT, 10 X 12	4	4						
22	1	41851-000140	PACKING, 14.0	1	1						

Remarks
 * Exclusive figure for angle blade specification.

Fig.180. (119B)ANGLE CYLINDER(ANGLE BLADE SPEC.)

(A)=VIO45-6A P(US)
 (B)=VIO45-6A C(US)
 (C)=

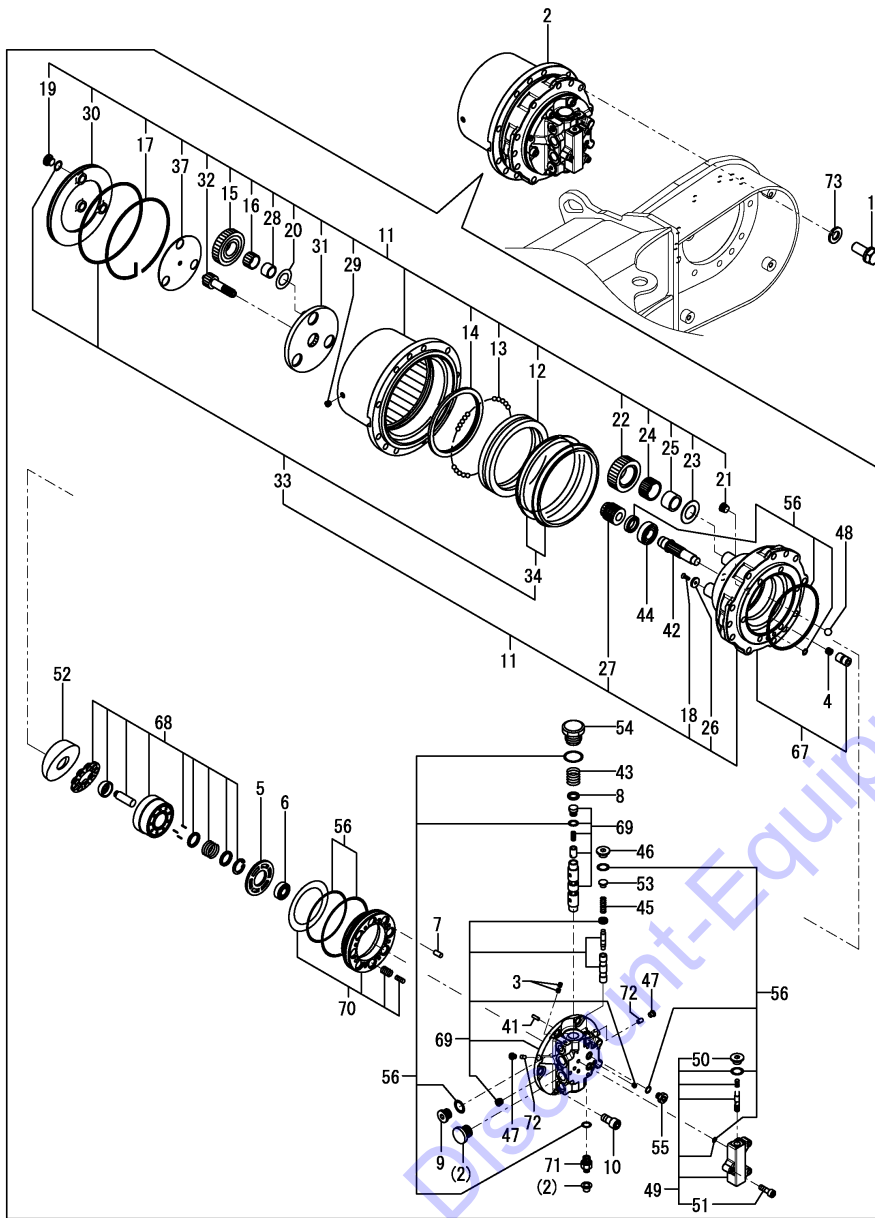
(D)=
 (E)=
 (F)=



No.	Lev.	Parts No.	Description	Q'ty						I	R
				(A)	(B)	(C)	(D)	(E)	(F)		
1	1	1A1380-58050	GROMMET, 16X20X4.5	4	4						
2	1	172B05-72850	COVER ASSY, ANGLE	1	1						
3	1	172B05-72950	CYLINDER ASSY,ANGLE	1	1						
4	2	172B03-71590	PLUG ASSY	1	1						
5	2	172B05-72090	SEAL KIT, CYL.75X45	1	1						
6	3	172B05-72690	SEAL SET,PISTON 75	1	1						
7	3	172B05-72940	SEAL SET, HEAD 75X45	1	1						
8	2	172B05-72440	SEAL,DUST 40	4	4						
9	2	172B05-72571	PISTON ASSY	1	1						
10	3	172B05-72581	PISTON	1	1						
11	3	172A79-72870	SCREW,M8	1	1						
12	3	24190-070002	BALL, 7/32	1	1						
13	2	172B05-72960	TUBE ASSY,ANGLE	1	1						
14	3	172A23-70120	BUSH, PIN 40	1	1						
15	2	172B05-72970	HEAD ASSY, 75 45	1	1						
16	3	172B04-72270	BUSH, 45	1	1						
18	2	172B05-72990	ROD ASSY, ANGLE	1	1						
19	3	172A23-70120	BUSH, PIN 40	1	1						
20	2	22351-025022	PIN, 2.5A X 22	1	1						
21	2	24761-040000	FITTING, PT 1/8	2	2						
22	1	172173-76121	CONNECTOR 1/4-3/8 AS	2	2						
23	2	24315-000110	PACKING, P 11.0	2	2						
24	1	22157-100000	WASHER, 10	4	4						
25	1	26013-100252	BOLT, 10 X 25	4	4						

Remarks
 * Exclusive figure for angle blade specification.

Fig.120. TRAVEL MOTOR



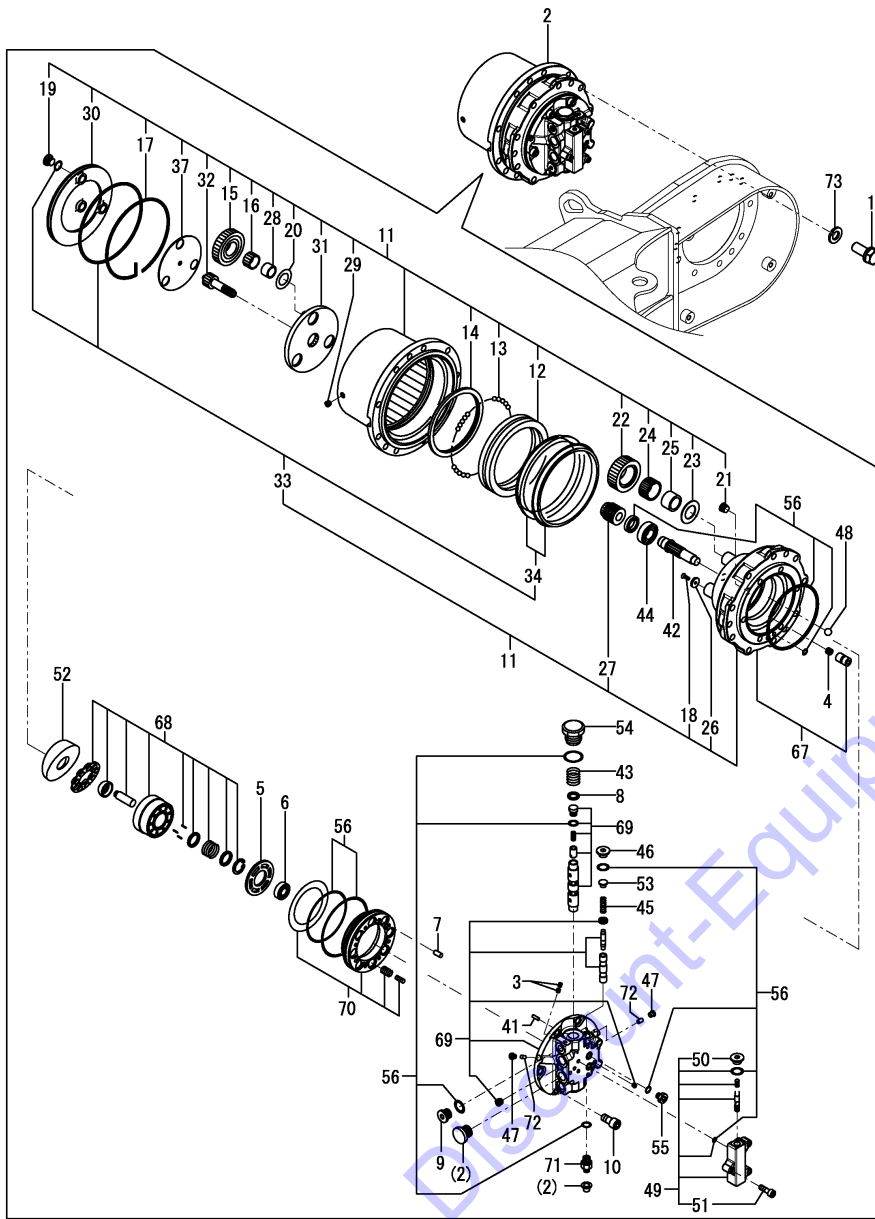
(A)=VIO45-6A P(US)
 (B)=VIO45-6A C(US)
 (C)=

(D)=
 (E)=
 (F)=

No.	Lev.	Parts No.	Description	Q'ty						I	R
				(A)	(B)	(C)	(D)	(E)	(F)		
1	1	172455-29140	BOLT	24	24						
2	1	172B04-73300	MOTOR ASSY, TRAVEL	2	2						
3	2	172148-70340	ORIFICE	8	8						
4	2	172147-70361	SPRING	4	4						
5	2	172147-70371	PLATE, VALVE	2	2						
5-1	2	172B04-73290	PLATE, VALVE	2	2						R
		(A=M65532) (B=M65532)									
6	2	172147-70390	BEARING, BALL	2	2						
7	2	172122-70410	PIN	8	8						
8	2	172122-70460	SEAT, SPRING	4	4						
9	2	172147-70500	PLUG	4	4						
10	2	172147-70540	BOLT, SOCKET HEAD	12	12						
11	2	172B04-73350	GEAR ASSY,REDUCTION	2	2						
12	3	172124-70010	BEARING, ANGULAR	2	2						
13	3	172124-70030	BALL, STEEL	198	198						
14	3	172124-70051	NUT, RING	2	2						
15	3	172147-70111	GEAR, PLANETARY	6	6						
16	3	172147-70120	GAUGE ASSY	6	6						
17	3	172147-70210	WIRE	2	2						
18	3	172162-70290	SCREW	8	8						
19	3	172147-70500	PLUG	6	6						
20	3	172A47-73310	WASHER, THRUST	6	6						
21	3	172423-73330	PLUG	4	4						
22	3	172B05-73360	GEAR, PLANETARY	8	8						
23	3	172423-73370	WASHER, THRUST	8	8						
24	3	172B05-73370	BEARING, NEEDLE	8	8						
25	3	172B05-73380	RING, INNER	8	8						
26	3	172B05-73390	PLATE, THRUST	2	2						
27	3	172B05-73400	GEAR, SUN	2	2						
28	3	172423-73410	RACE, INNER	6	6						
29	3	172122-73430	PLUG	4	4						
30	3	172B05-73440	COVER	2	2						
31	3	172460-73511	HOLDER	2	2						
32	3	172460-73531	GEAR, DRIVE	2	2						
33	3	172B05-73610	SEAL KIT,REDUCTION	2	2						
34	4	172147-70020	SEAL, FLOATING	2	2						1
37	3	172460-73631	PLATE KIT, THRUST	2	2						
41	2	172122-73470	PIN	2	2						
42	2	172423-73470	SHAFT	2	2						
43	2	172B05-73470	SPRING, RETURN	4	4						
44	2	172423-73480	BEARING, BALL	2	2						
45	2	172B05-73480	SPRING	2	2						
46	2	172B05-73490	PLUG	2	2						
47	2	172B05-73500	PLUG ASSY	6	6						
48	2	172423-73510	BALL, STEEL	4	4						
49	2	172B05-73510	VALVE ASSY	2	2						
50	3	172147-70500	PLUG	4	4						
51	3	172A47-73320	BOLT, SOCKET HEAD	6	6						
52	2	172460-73551	PLATE,SWASH	2	2						
53	2	172B05-73560	SEAT, SPRING	2	2						
54	2	172460-73570	CAP	4	4						

Remarks
 (1)A package contains 2 floating seals.
 1 package par 1 travel motor.

Fig.120. TRAVEL MOTOR



(A)=VIO45-6A P(US)
 (B)=VIO45-6A C(US)
 (C)=

(D)=
 (E)=
 (F)=

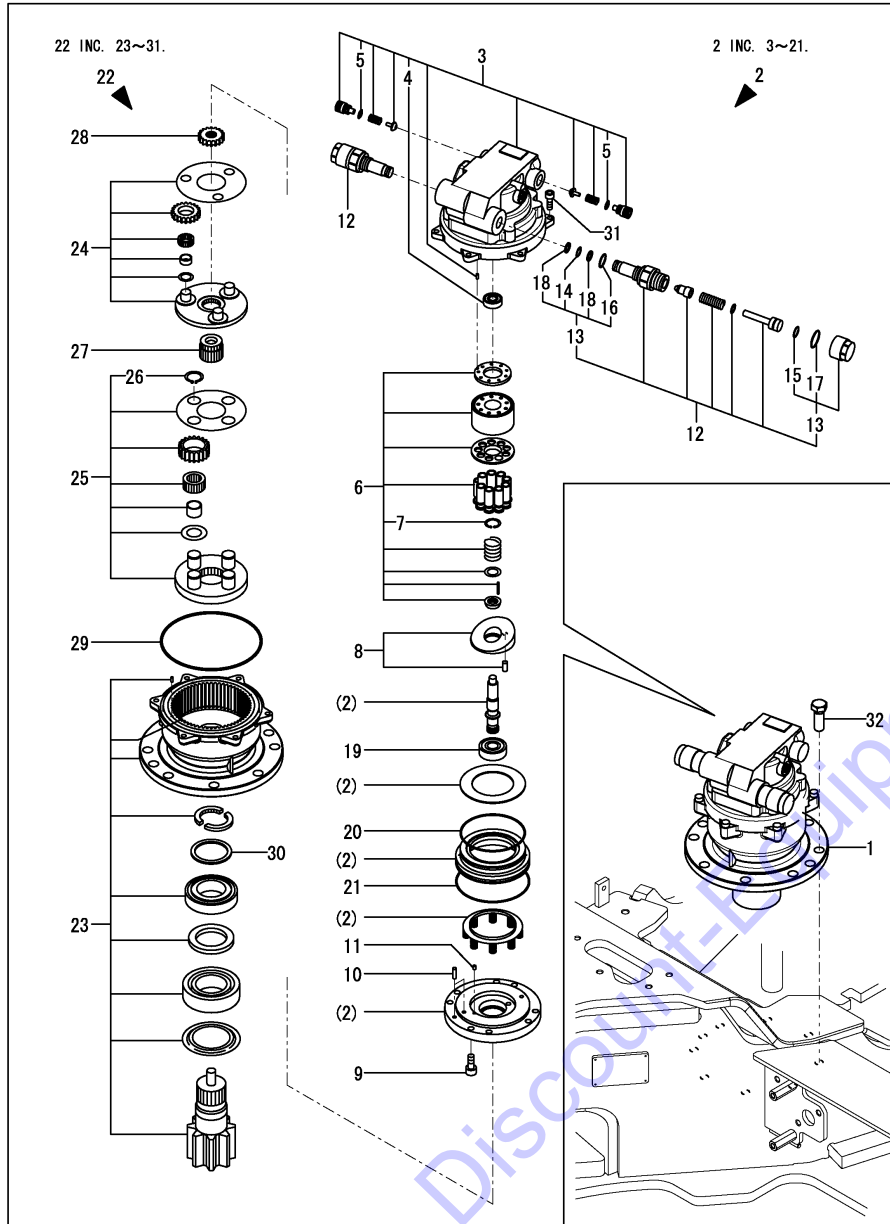
No.	Lev.	Parts No.	Description	Q'ty						I	R
				(A)	(B)	(C)	(D)	(E)	(F)		
55	2	172460-73590	PLUG	4	4						
56	2	172B05-73620	SEAL KIT, TRAVEL M	2	2						
67	2	172B05-73630	REPAIR KIT, HOLDER	2	2						
68	2	172B05-73640	REPAIR KIT,CYL BLOCK	2	2						
69	2	172B05-73650	REPAIR KIT, BASE P	2	2						
70	2	172B05-73660	SEAL KIT, BRAKE	2	2						
71	2	172458-73830	PLUG	2	2						
72	2	172312-74790	ORIFICE	12	12						
73	1	22217-140000	WASHER, SPRING 14	24	24						

Remarks
 (1)A package contains 2 floating seals.
 1 package par 1 travel motor.

Fig.121. TURNING MOTOR

(A)=VIO45-6A P(US)
 (B)=VIO45-6A C(US)
 (C)=

(D)=
 (E)=
 (F)=



No.	Lev.	Parts No.	Description	Q'ty						I	R
				(A)	(B)	(C)	(D)	(E)	(F)		
1	1	172B06-73310	MOTOR ASSY,SWING	1	1						
1-1	1	172B04-73310	MOTOR ASSY,SWING	1	1						N 1
		(A=*2014.03) (B=*2014.03)									
2	2	172B06-73490	MOTOR ASSY	1	1						
3	3	172B06-73320	BODY ASSY,H	1	1						
4	4	24101-062014	BEARING, BALL 6201	1	1						
5	4	24315-000110	O-RING, 1BP11.0	2	2						
6	3	172B06-73330	CYLINDER ASSY	1	1						
7	4	172126-73400	SNAP RING	1	1						
8	3	172B06-73340	PLATE ASSY,SWASH	1	1						
9	3	172B06-73460	SCREW	8	8						
10	3	172B06-73470	PIN	3	3						
11	3	172425-73530	FILTER	1	1						
12	3	172461-73770	VALVE ASSY, RELIEF	2	2						
13	4	172460-73780	SEAL SET, VALVE	2	2						
14	5	24315-000140	O-RING, 1BP14.0	2	2						
15	5	24315-000180	O-RING, 1BP18.0	2	2						
16	5	24315-000220	O-RING, 1BP22.0	2	2						
17	5	24315-000280	O-RING, 1BP28.0	2	2						
18	5	24372-000140	RING, BACK UP T2P14	4	4						
19	3	24105-062044	BEARING, BALL 6204Z	1	1						
20	3	24325-001100	O-RING, 1BG110.0	1	1						
21	3	24325-001250	O-RING, 1BG125.0	1	1						
22	2	172B06-73500	GEAR ASSY,REDUCTION	1	1						
22-1	2	172B04-73500	GEAR ASSY,REDUCTION	1	1						N 1
		(A=*2014.03) (B=*2014.03)									
23	3	172B06-73350	PINION KIT	1	1						
23-1	3	172B04-73380	PINION KIT	1	1						N 1
		(A=*2014.03) (B=*2014.03)									
24	3	172B06-73360	CARRIER KIT,2	1	1						
24-1	3	172B04-73360	CARRIER KIT,2	1	1						N 1
		(A=*2014.03) (B=*2014.03)									
25	3	172B06-73370	CARRIER KIT,1	1	1						
25-1	3	172B04-73370	CARRIER KIT,1	1	1						N 1
		(A=*2014.03) (B=*2014.03)									
26	4	22252-000220	RING, 22	4	4						
27	3	172B06-73390	GEAR,S1	1	1						
27-1	3	172B04-73390	GEAR,S1	1	1						N 1
		(A=*2014.03) (B=*2014.03)									
28	3	172B06-73400	GEAR,S2	1	1						
28-1	3	172B04-73400	GEAR,S2	1	1						N 1
		(A=*2014.03) (B=*2014.03)									
29	3	172B06-73420	O-RING	1	1						
30	3	172425-73520	RING	1	1						
30-1	3	172B06-73480	RING	1	1						N 1
		(A=*2014.03) (B=*2014.03)									
31	3	26450-080252	BOLT, M8X 25	6	6						
32	1	172460-73320	BOLT	10	10						

Remarks

(1)The part itself is the same; only the part number has changed.

N:Old $\begin{matrix} \leftarrow \text{Yes} \\ \text{No} \end{matrix}$ New, Q:Old $\begin{matrix} \leftarrow \text{No} \\ \text{Yes} \end{matrix}$ New, R:Old $\begin{matrix} \leftarrow \text{Yes} \\ \text{Yes} \end{matrix}$ New, S:Old $\begin{matrix} \leftarrow \text{No} \\ \text{No} \end{matrix}$ New, W:Add, Z:Discontinued, F:Interchangeable by set, K:Q'ty Change

Fig.122. ACCUMULATOR

(A)=VIO45-6A P(US)
 (B)=VIO45-6A C(US)
 (C)=

(D)=
 (E)=
 (F)=

No.	Lev.	Parts No.	Description	Q'ty						I	R
				(A)	(B)	(C)	(D)	(E)	(F)		
1	1	172B11-73600	ACCUMULATOR	1	1						
2	1	172B11-73630	CLAMP	1	1						
3	1	172423-76120	CONNECTOR, PF1/2X1/4	1	1						
4	1	26014-080202	BOLT, M8X 20	2	2						
4-1	1	26014-080162	BOLT, M8X 16	2	2						N
		(A=M6G193) (B=M6G193)									
5	1	41851-000180	O-RING	1	1						

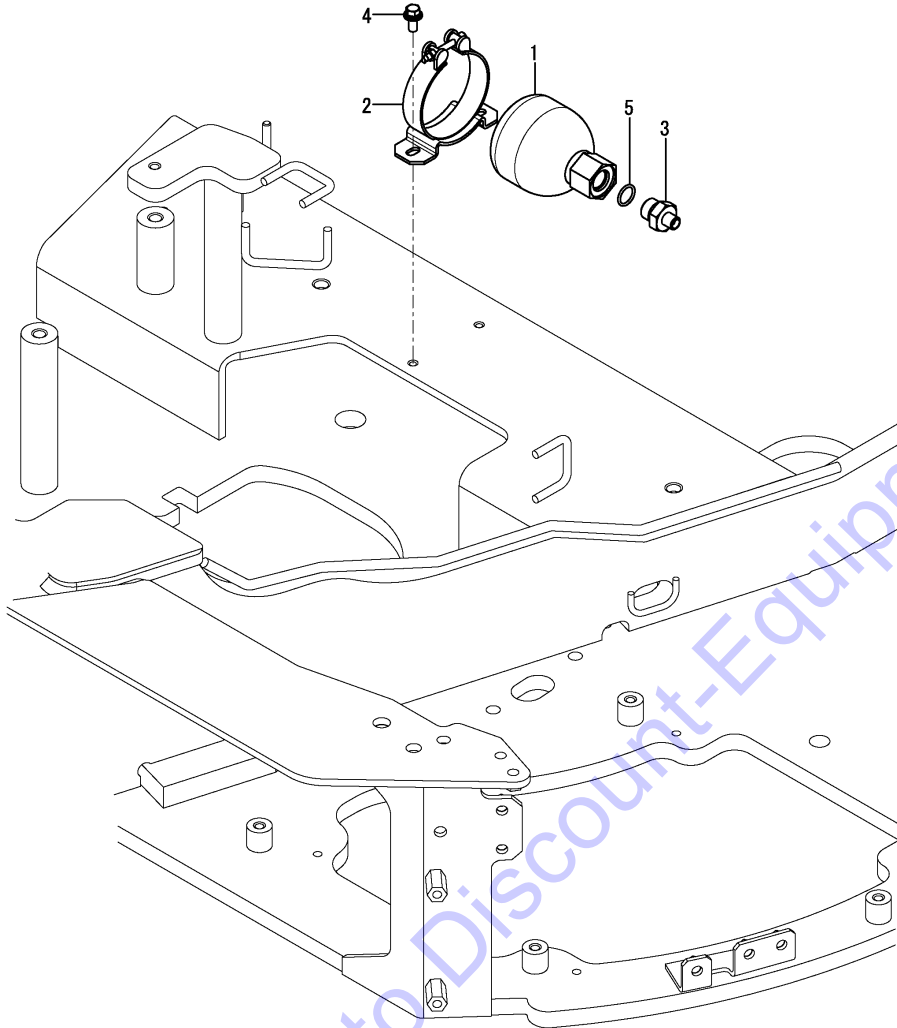
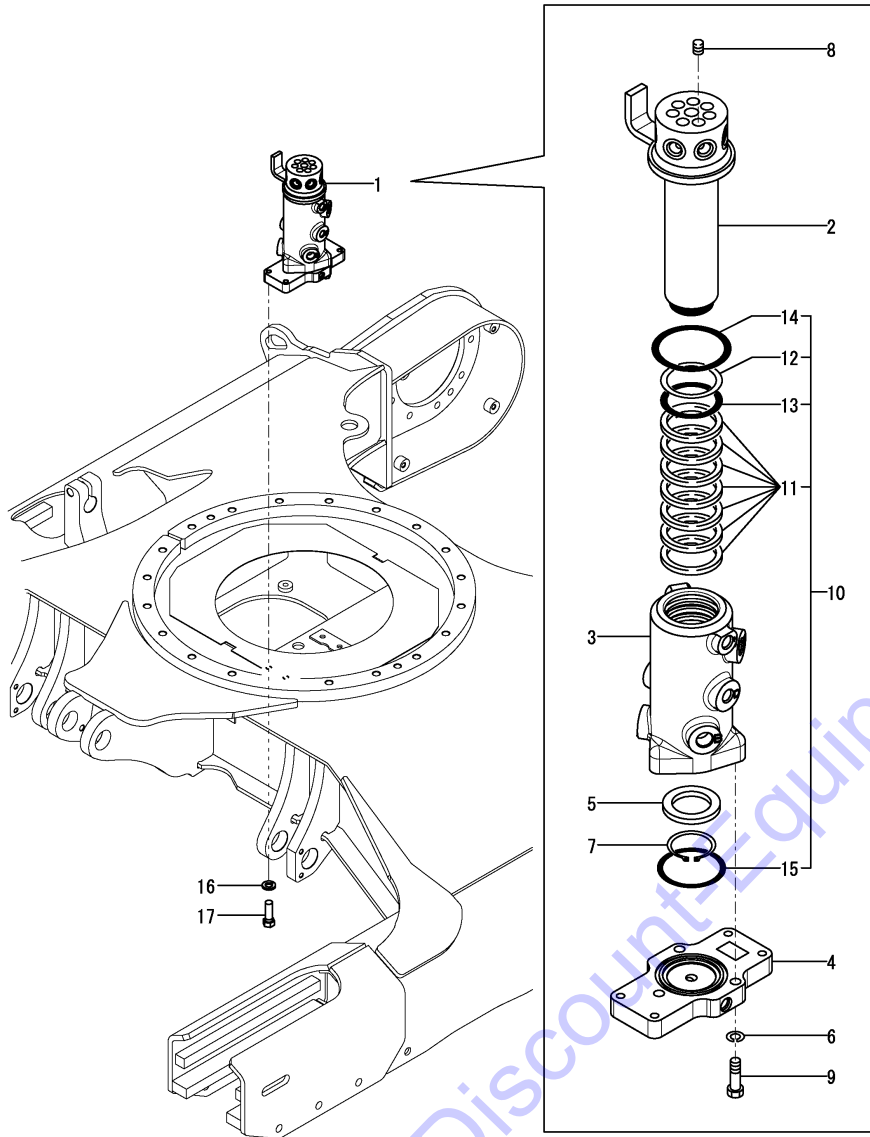


Fig.123. SWIVEL JOINT

(A)=VIO45-6A P(US)
 (B)=VIO45-6A C(US)
 (C)=

(D)=
 (E)=
 (F)=



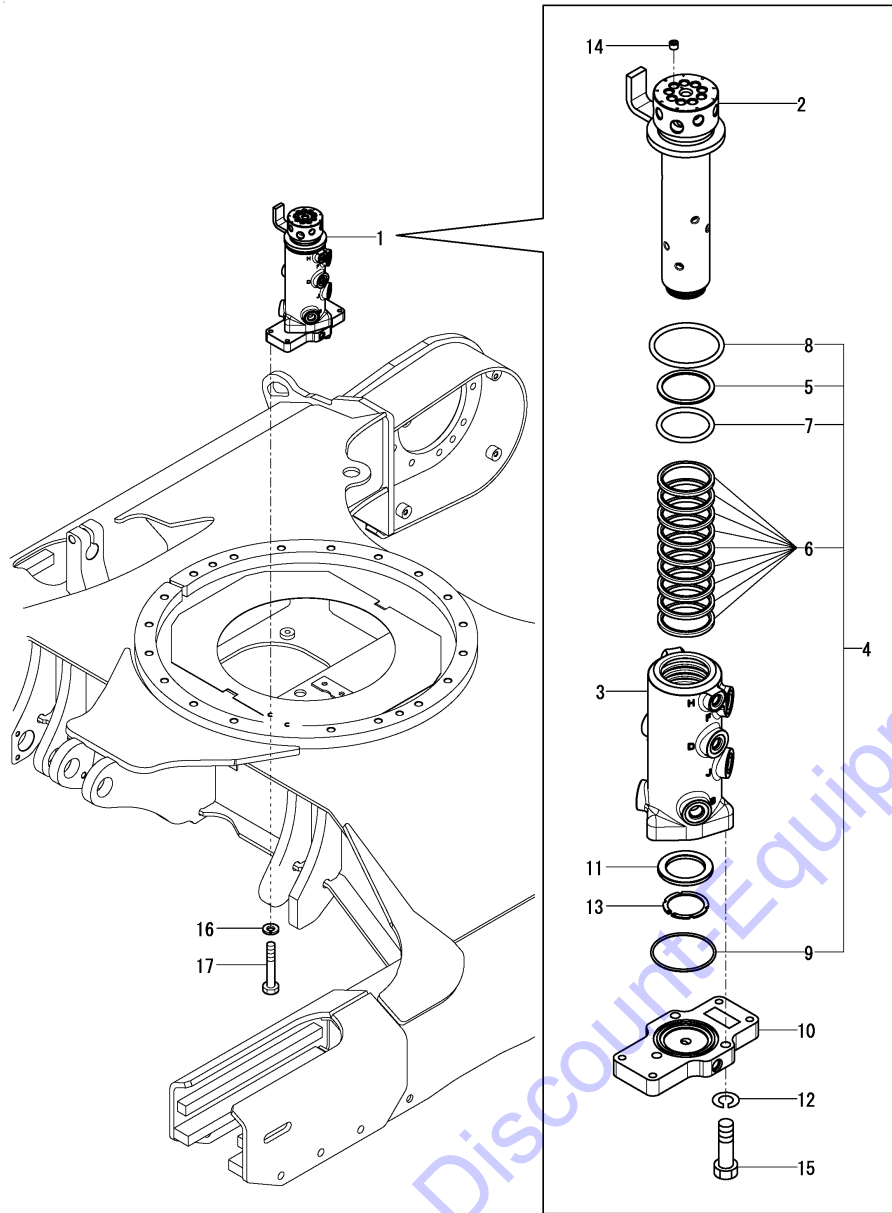
No.	Lev.	Parts No.	Description	Q'ty						I	R
				(A)	(B)	(C)	(D)	(E)	(F)		
1	1	172B02-73800	JOINT ASSY, SWIVEL	1	1						
2	2	172B02-73810	SHAFT ASSY, SWIVEL	1	1						
3	2	172B02-73840	HUB, SWIVEL	1	1						
4	2	172B02-73850	FLANGE, SWIVEL	1	1						
5	2	172B02-73860	SPACER, SWIVEL	1	1						
6	2	22217-100000	WASHER, SPRING 10	3	3						
7	2	22242-000451	RING, 45	1	1						
8	2	23871-020000	PLUG, R02	7	7						
9	2	26076-100352	BOLT, 10.910X 35	3	3						
10	2	172B02-73900	SEAL KIT, SWIVEL	1	1						
10-1	2	172B02-73910	SEAL KIT, SWIVEL	1	1						N
		(A=M60564) (B=M60564)									
11	3	172B02-73870	SEAL, SWIVEL	7	7						
11-1	3	172B02-73890	SEAL, SWIVEL	7	7						N
		(A=M60564) (B=M60564)									
12	3	172B02-73880	RING, BACKUP T3 55	1	1						
13	3	24315-000560	O-RING, 1BP56.0	1	1						
14	3	24315-000750	O-RING, 1BP75.0	1	1						
15	3	24325-000700	O-RING, 1BG70.0	1	1						
16	1	22217-100000	WASHER, SPRING 10	4	4						
17	1	26116-100302	BOLT, M10X 30 PLATED	4	4						

Remarks
 * Not applied for angle blade specification.

Fig.181. (123A)SWIVEL JOINT(ANGLE BLADE SPEC.)

(A)=VIO45-6A P(US)
 (B)=VIO45-6A C(US)
 (C)=

(D)=
 (E)=
 (F)=



No.	Lev.	Parts No.	Description	Q'ty						I	R
				(A)	(B)	(C)	(D)	(E)	(F)		
1	1	172A79-73700	JOINT ASSY, SWIVEL	1	1						
2	2	172A79-73710	SHAFT ASSY,SWIVEL	1	1						
3	2	172A79-73720	ROTOR	1	1						
4	2	172A79-73790	SEAL KIT, SWIVEL	1	1						
5	3	172B02-73880	RING, BACKUP T3 55	1	1						
6	3	172B02-73890	SEAL, SWIVEL	9	9						
7	3	24315-000560	PACKING, P 56.0	1	1						
8	3	24315-000750	PACKING, P 75.0	1	1						
9	3	24325-000700	PACKING, G 70.0	1	1						
10	2	172B02-73850	FLANGE, SWIVEL	1	1						
11	2	172B02-73860	SPACER, SWIVEL	1	1						
12	2	22217-100000	WASHER, 10	3	3						
13	2	22242-000451	RING, 45	1	1						
14	2	23871-010000	PLUG, R01	9	9						
15	2	26076-100352	BOLT, 10 X 35	3	3						
16	1	22217-100000	WASHER, 10	4	4						
17	1	26116-100302	BOLT, 10 X 30	4	4						

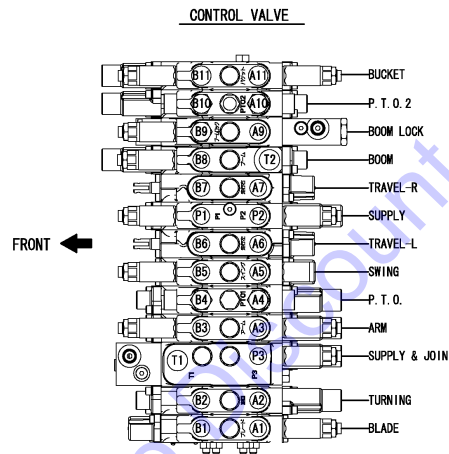
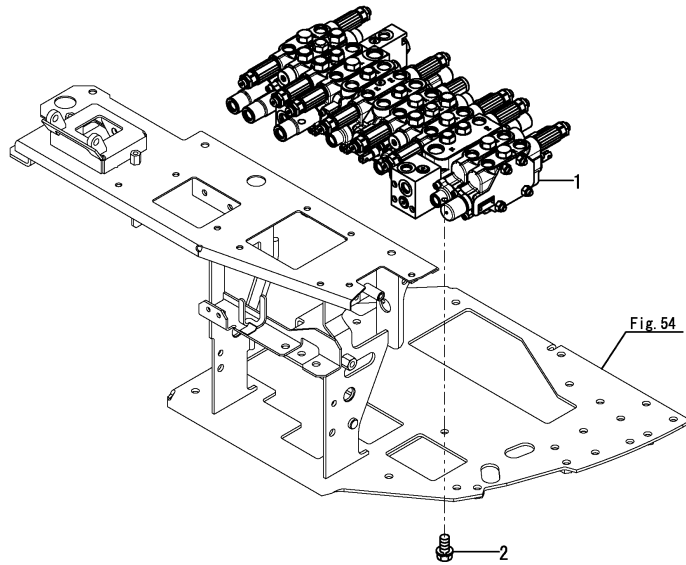
Remarks
 * Exclusive figure for angle blade specification.

Fig.124. CONTROL VALVE(1/8)

(A)=VIO45-6A P(US)
 (B)=VIO45-6A C(US)
 (C)=

(D)=
 (E)=
 (F)=

No.	Lev.	Parts No.	Description	Q'ty						I	R
				(A)	(B)	(C)	(D)	(E)	(F)		
1	1	172B04-74120	VALVE ASSY,CV EX	1	1						
2	1	26013-100162	BOLT, M10X 16	3	3						

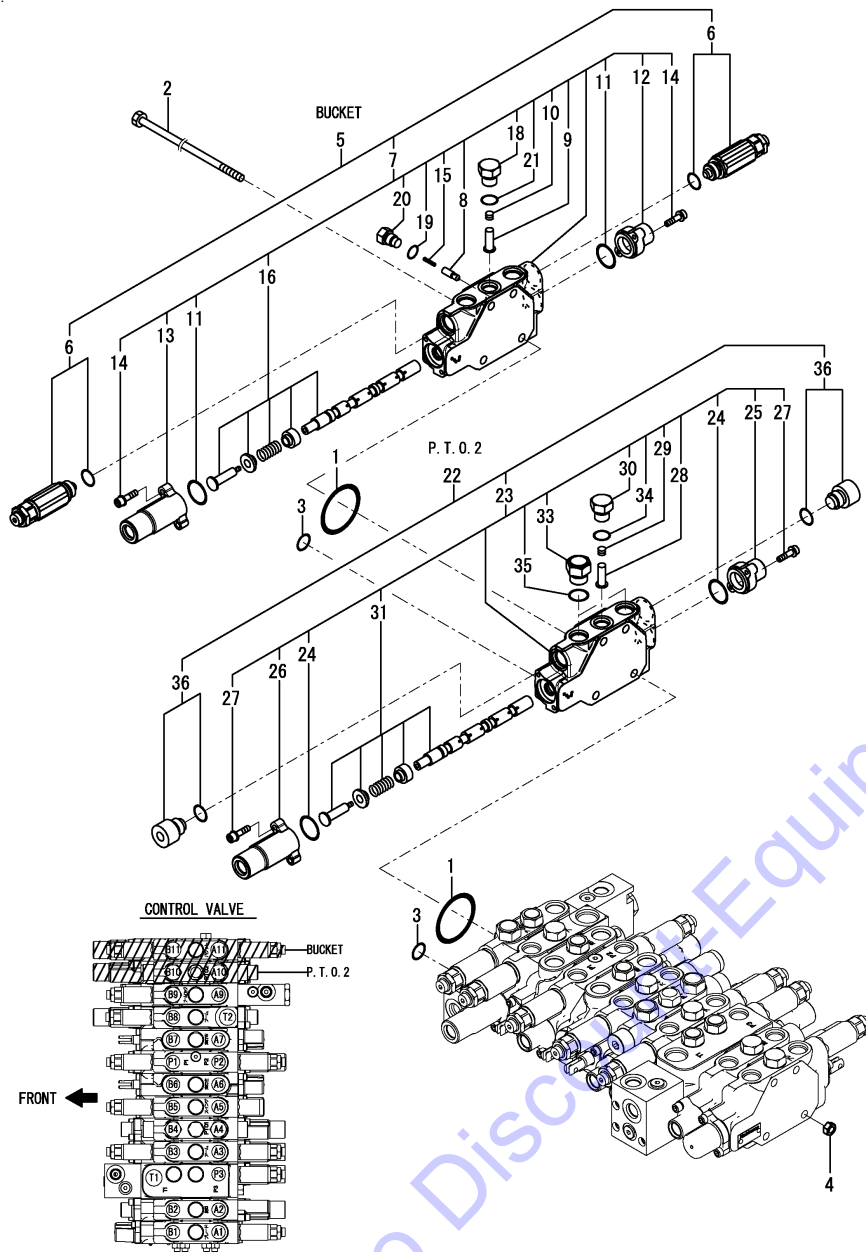


Remarks
 * Not applied for angle blade specification.

Fig.159. (124A)CONTROL VALVE(2/8)

(A)=VIO45-6A P(US)
 (B)=VIO45-6A C(US)
 (C)=

(D)=
 (E)=
 (F)=



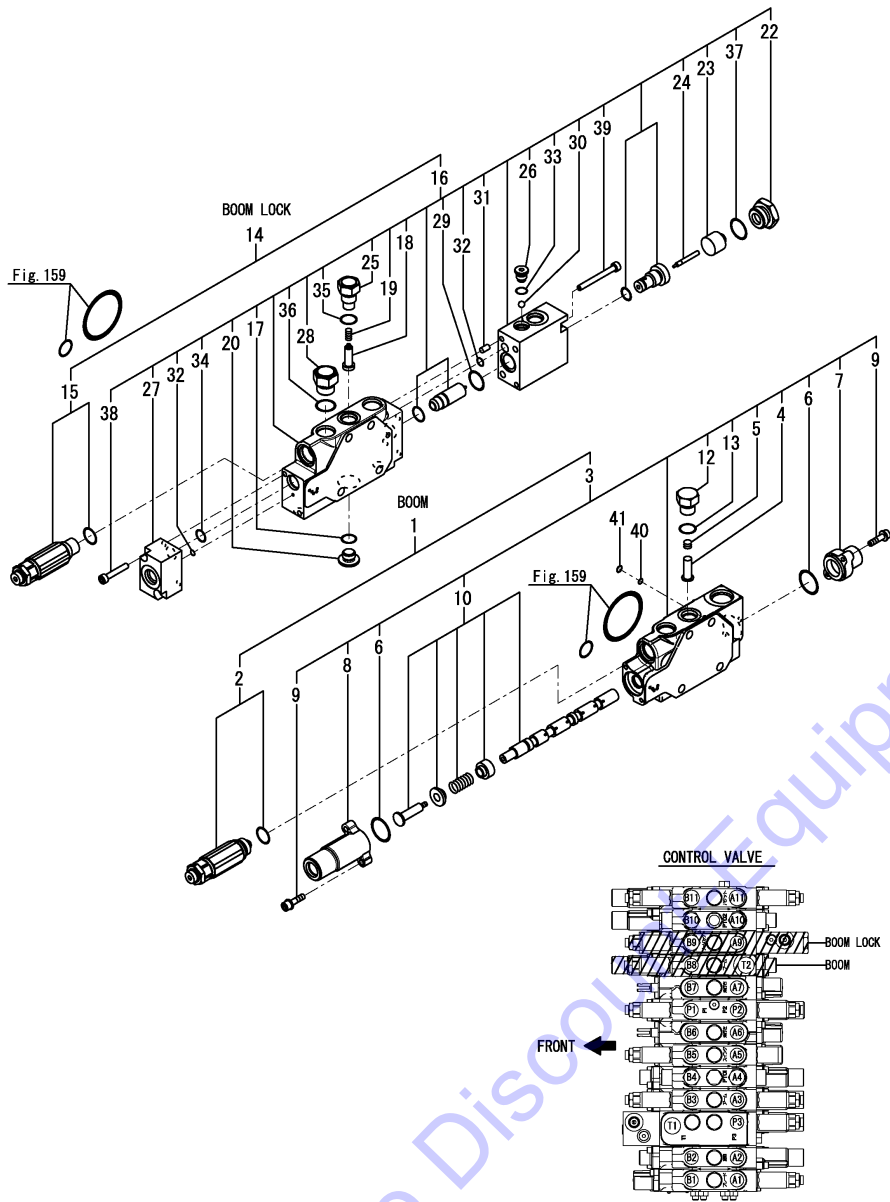
No.	Lev.	Parts No.	Description	Q'ty						I	R
				(A)	(B)	(C)	(D)	(E)	(F)		
1	2	172458-74720	O-RING	12	12						
2	2	172A47-75450	BOLT	4	4						
3	2	24311-000200	O-RING, 1AP20.0	12	12						
4	2	26716-080002	NUT, M8	4	4						
5	2	172B04-74390	VALVE ASSY, BUCKET	1	1						
6	3	172A48-74200	VALVE ASSY, OVERLOAD	2	2						
7	3	172B04-74400	SECTION ASSY, BUCKET	1	1						
8	4	172499-70180	VALVE ASSY, REVERSE	1	1						
9	4	172458-74150	VALVE, REVERSE	1	1						
10	4	172458-74160	SPRING, VALVE	1	1						
11	4	172458-74230	O-RING	2	2						
12	4	172458-74240	COVER, PILOT	1	1						
13	4	172458-74250	COVER, PILOT	1	1						
14	4	172458-74260	BOLT	4	4						
15	4	172173-74280	SPRING	1	1						
16	4	172A78-74370	SPOOL ASSY, BUCKET	1	1						
18	4	172458-74630	STAY, VALVE	1	1						
19	4	172A47-74950	O-RING	1	1						
20	4	172A47-74970	STAY, VALVE	1	1						
21	4	24315-000110	O-RING, 1BP11.0	1	1						
22	2	172A78-74590	SECTION ASSY, PTO	1	1						
23	3	172A78-74490	SECTION ASSY, PTO	1	1						
24	4	172458-74230	O-RING	2	2						
25	4	172458-74240	COVER, PILOT	1	1						
26	4	172458-74250	COVER, PILOT	1	1						
27	4	172458-74260	BOLT	4	4						
28	4	172490-74310	VALVE, REVERSE	1	1						
29	4	172490-74320	SPRING, VALVE	1	1						
30	4	172490-74330	STAY, VALVE	1	1						
31	4	172A78-74360	SPOOL ASSY, PTO	1	1						
33	4	172A47-75620	STAY, VALVE	2	2						
34	4	24315-000110	O-RING, 1BP11.0	1	1						
35	4	24315-000140	O-RING, 1BP14.0	2	2						
36	3	172A47-75460	PLUG ASSY, VALVE	2	2						

Remarks
 * Not applied for angle blade specification.

Fig.160. (124B)CONTROL VALVE(3/8)

(A)=VIO45-6A P(US)
 (B)=VIO45-6A C(US)
 (C)=

(D)=
 (E)=
 (F)=



No.	Lev.	Parts No.	Description	Q'ty						I	R
				(A)	(B)	(C)	(D)	(E)	(F)		
1	2	172B04-74350	VALVE ASSY, BOOM	1	1						
2	3	172A48-74200	VALVE ASSY, OVERLOAD	1	1						
3	3	172B04-74360	SECTION ASSY, BOOM	1	1						
4	4	172458-74150	VALVE, REVERSE	1	1						
5	4	172458-74160	SPRING, VALVE	1	1						
6	4	172458-74230	O-RING	2	2						
7	4	172458-74240	COVER, PILOT	1	1						
8	4	172458-74250	COVER, PILOT	1	1						
9	4	172458-74260	BOLT	4	4						
10	4	172B04-74370	SPOOL ASSY, BOOM	1	1						
12	4	172458-74630	STAY, VALVE	1	1						
13	4	24315-000110	O-RING, 1BP11.0	1	1						
14	2	172B02-74890	VALVE ASSY, LOCK	1	1						
15	3	172456-74440	VALVE, RELIEF	1	1						
16	3	172B02-74450	SECTION ASSY, LOCK	1	1						
17	4	172A47-74270	O-RING	1	1						
18	4	172458-74290	VALVE, REVERSE	1	1						
19	4	172458-74360	SPRING, VALVE	1	1						
20	4	172A47-74460	PLUG	1	1						
22	4	172A47-74560	BUSH PF1/2X1/4	1	1						
23	4	172A47-74570	PISTON B	1	1						
24	4	172A47-74580	PISTON A1	1	1						
25	4	172458-74640	STAY, VALVE	1	1						
26	4	172A47-74920	HOLDER, BALL	1	1						
27	4	172A47-74930	BODY, DISCHARGE	1	1						
28	4	172A47-75620	STAY, VALVE	1	1						
29	4	172A47-75680	O-RING	1	1						
30	4	172A47-75690	BALL, STEEL	1	1						
31	4	22312-050100	PIN, PARALLEL M5X10	2	2						
32	4	24311-000060	O-RING, 1AP6.0	2	2						
33	4	24315-000080	O-RING, 1BP8.0	1	1						
34	4	24315-000100	O-RING, 1BP10.0	1	1						
35	4	24315-000110	O-RING, 1BP11.0	1	1						
36	4	24315-000140	O-RING, 1BP14.0	1	1						
37	4	24315-000180	O-RING, 1BP18.0	1	1						
38	4	26450-050302	BOLT, M5X 30	2	2						
39	4	26450-060652	BOLT, M6X 65	2	2						
40	2	24315-000090	O-RING, 1BP9.0	1	1						
41	2	24315-000100	O-RING, 1BP10.0	1	1						

Remarks

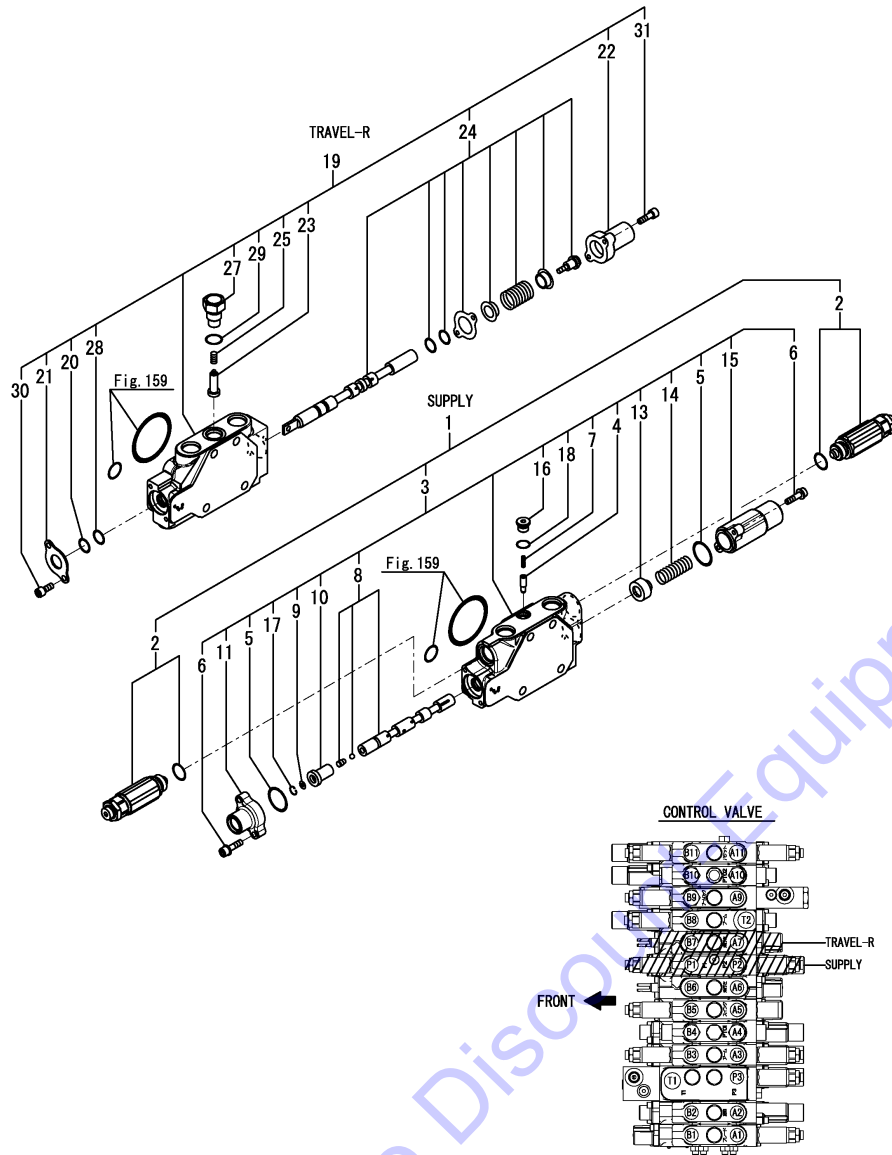
* Not applied for angle blade specification.

N:Old $\begin{matrix} \text{Yes} \\ \text{No} \end{matrix}$ New, Q:Old $\begin{matrix} \text{No} \\ \text{Yes} \end{matrix}$ New, R:Old $\begin{matrix} \text{Yes} \\ \text{No} \end{matrix}$ New, S:Old $\begin{matrix} \text{No} \\ \text{Yes} \end{matrix}$ New, W:Add, Z:Discontinued, F:Interchangeable by set, K:Q'ty Change

Fig.161. (124C)CONTROL VALVE(4/8)

(A)=VIO45-6A P(US)
 (B)=VIO45-6A C(US)
 (C)=

(D)=
 (E)=
 (F)=



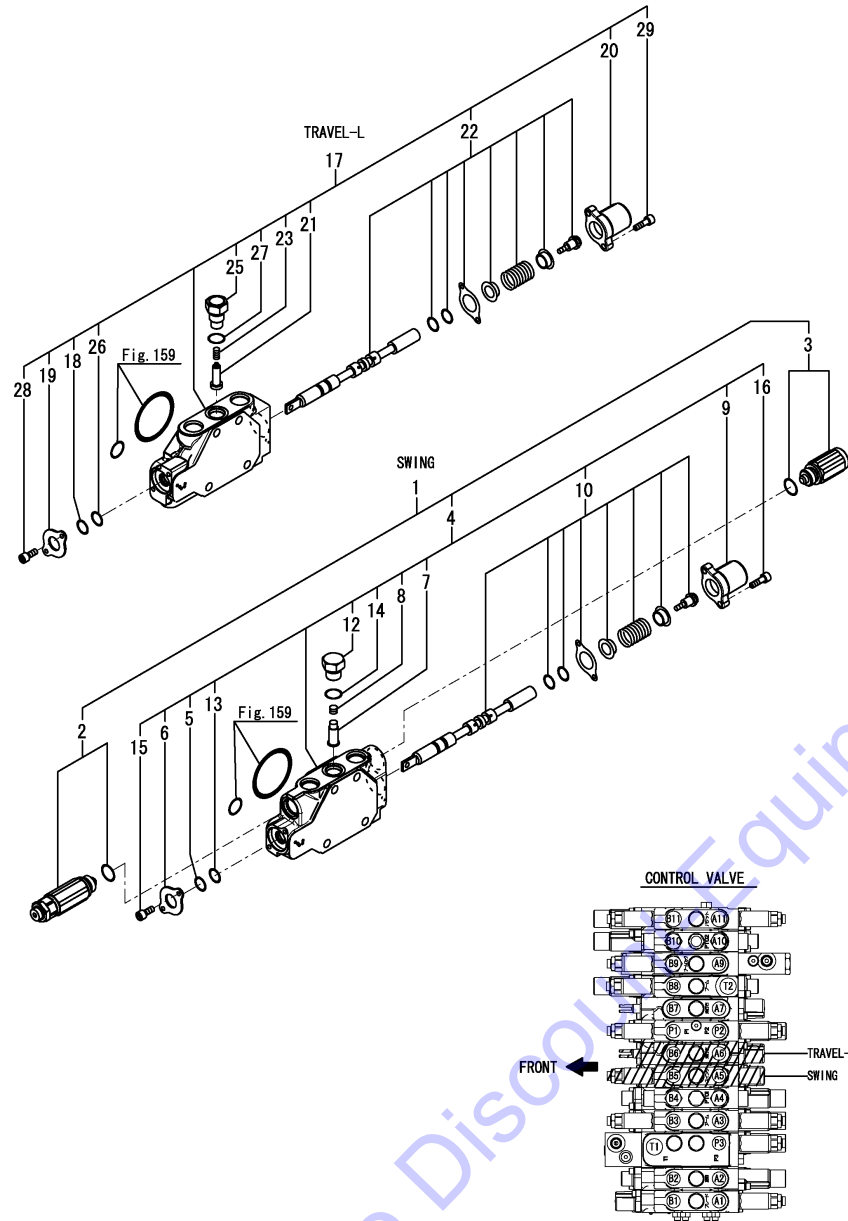
No.	Lev.	Parts No.	Description	Q'ty						I	R
				(A)	(B)	(C)	(D)	(E)	(F)		
1	2	172A79-74240	SECTION ASSY, INLET	1	1						
2	3	172A48-74210	VALVE ASSY, RELIEF	2	2						
3	3	172A78-74450	SECTION ASSY, INLET	1	1						
4	4	172499-70180	VALVE ASSY, REVERSE	1	1						
5	4	172458-74230	O-RING	2	2						
6	4	172458-74260	BOLT	4	4						
7	4	172173-74280	SPRING	1	1						
8	4	172A47-74350	SPOOL ASSY,INLET	1	1						
9	4	172A47-74360	FILTER	1	1						
10	4	172A47-74370	PISTON	1	1						
11	4	172A47-74380	COVER, PILOT	1	1						
13	4	172458-74530	SEAT, SPRING	1	1						
14	4	172458-74540	SPRING, RETURN	1	1						
15	4	172458-74550	COVER, PILOT	1	1						
16	4	172458-74670	PLUG	1	1						
17	4	172A47-74980	CIRCLIP	1	1						
18	4	24315-000080	O-RING, 1BP8.0	1	1						
19	2	172B04-74320	SECTION ASSY,TRAVEL2	1	1						
20	3	172458-74130	WIPER, DUST	1	1						
21	3	172458-74140	RETAINER, SEAL	1	1						
22	3	172458-74170	CAP, SPRING	1	1						
23	3	172458-74290	VALVE, REVERSE	1	1						
24	3	172B04-74330	SPOOL ASSY, TRAVEL	1	1						
25	3	172458-74360	SPRING, VALVE	1	1						
27	3	172458-74640	STAY, VALVE	1	1						
28	3	24311-000120	O-RING, 1AP12.0	1	1						
29	3	24315-000110	O-RING, 1BP11.0	1	1						
30	3	26450-050102	BOLT, M5X 10	2	2						
31	3	26450-050182	BOLT, M5X 18	2	2						

Remarks
 * Not applied for angle blade specification.

Fig.162. (124D)CONTROL VALVE(5/8)

(A)=VIO45-6A P(US)
 (B)=VIO45-6A C(US)
 (C)=

(D)=
 (E)=
 (F)=



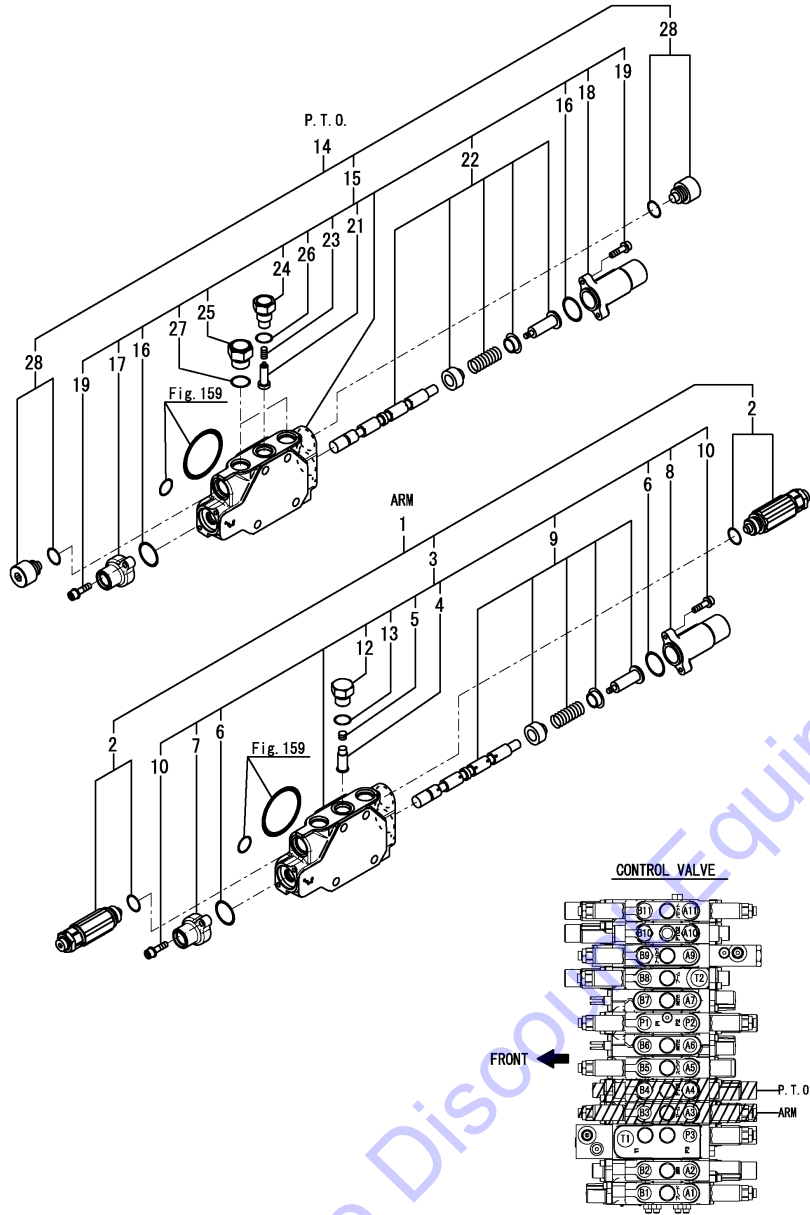
No.	Lev.	Parts No.	Description	Q'ty						I	R
				(A)	(B)	(C)	(D)	(E)	(F)		
1	2	172B04-74270	VALVE ASSY, B SWING	1	1						
2	3	172A48-74200	VALVE ASSY, OVERLOAD	1	1						
3	3	172447-74230	ANTI-CAVITATION	1	1						
4	3	172B04-74280	SECTION ASSY,B SWING	1	1						
5	4	172458-74130	WIPER, DUST	1	1						
6	4	172458-74140	RETAINER, SEAL	1	1						
7	4	172458-74150	VALVE, REVERSE	1	1						
8	4	172458-74160	SPRING, VALVE	1	1						
9	4	172458-74170	CAP, SPRING	1	1						
10	4	172A78-74330	SPOOL ASSY, SWING	1	1						
12	4	172458-74630	STAY, VALVE	1	1						
13	4	24311-000120	O-RING, 1AP12.0	1	1						
14	4	24315-000110	O-RING, 1BP11.0	1	1						
15	4	26450-050102	BOLT, M5X 10	2	2						
16	4	26450-050182	BOLT, M5X 18	2	2						
17	2	172B04-74310	SECTION ASSY,TRAVEL1	1	1						
18	3	172458-74130	WIPER, DUST	1	1						
19	3	172458-74140	RETAINER, SEAL	1	1						
20	3	172458-74170	CAP, SPRING	1	1						
21	3	172458-74290	VALVE, REVERSE	1	1						
22	3	172B04-74330	SPOOL ASSY, TRAVEL	1	1						
23	3	172458-74360	SPRING, VALVE	1	1						
25	3	172458-74640	STAY, VALVE	1	1						
26	3	24311-000120	O-RING, 1AP12.0	1	1						
27	3	24315-000110	O-RING, 1BP11.0	1	1						
28	3	26450-050102	BOLT, M5X 10	2	2						
29	3	26450-050182	BOLT, M5X 18	2	2						

Remarks
 * Not applied for angle blade specification.

Fig.163. (124E)CONTROL VALVE(6/8)

(A)=VIO45-6A P(US)
 (B)=VIO45-6A C(US)
 (C)=

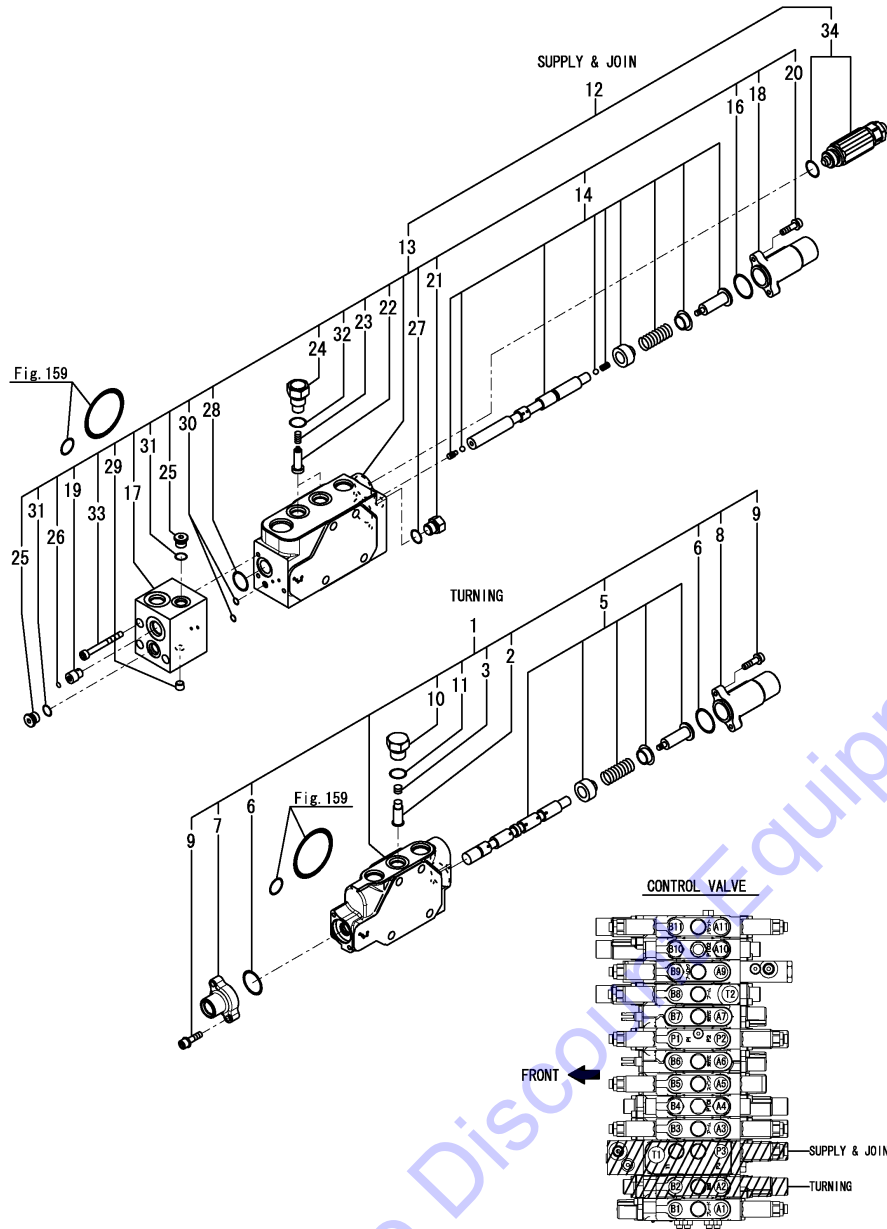
(D)=
 (E)=
 (F)=



No.	Lev.	Parts No.	Description	Q'ty						I	R
				(A)	(B)	(C)	(D)	(E)	(F)		
1	2	172B04-74230	VALVE ASSY, ARM	1	1						
2	3	172A48-74200	VALVE ASSY, OVERLOAD	2	2						
3	3	172B04-74240	SECTION ASSY, ARM	1	1						
4	4	172458-74150	VALVE, REVERSE	1	1						
5	4	172458-74160	SPRING, VALVE	1	1						
6	4	172458-74230	O-RING	2	2						
7	4	172458-74240	COVER, PILOT	1	1						
8	4	172458-74250	COVER, PILOT	1	1						
9	4	172B04-74250	SPOOL ASSY, ARM	1	1						
10	4	172458-74260	BOLT	4	4						
12	4	172458-74630	STAY, VALVE	1	1						
13	4	24315-000110	O-RING, 1BP11.0	1	1						
14	2	172B02-74850	VALVE ASSY, PTO	1	1						
15	3	172B02-74290	SECTION ASSY, PTO	1	1						
16	4	172458-74230	O-RING	2	2						
17	4	172458-74240	COVER, PILOT	1	1						
18	4	172458-74250	COVER, PILOT	1	1						
19	4	172458-74260	BOLT	4	4						
21	4	172490-74310	VALVE, REVERSE	1	1						
22	4	172B02-74310	SPOOL ASSY, PTO	1	1						
23	4	172490-74320	SPRING, VALVE	1	1						
24	4	172490-74330	STAY, VALVE	1	1						
25	4	172A47-75620	STAY, VALVE	2	2						
26	4	24315-000110	O-RING, 1BP11.0	1	1						
27	4	24315-000140	O-RING, 1BP14.0	2	2						
28	3	172A47-75460	PLUG ASSY, VALVE	2	2						

Remarks
 * Not applied for angle blade specification.

Fig.164. (124F)CONTROL VALVE(7/8)



(A)=VIO45-6A P(US)
 (B)=VIO45-6A C(US)
 (C)=

(D)=
 (E)=
 (F)=

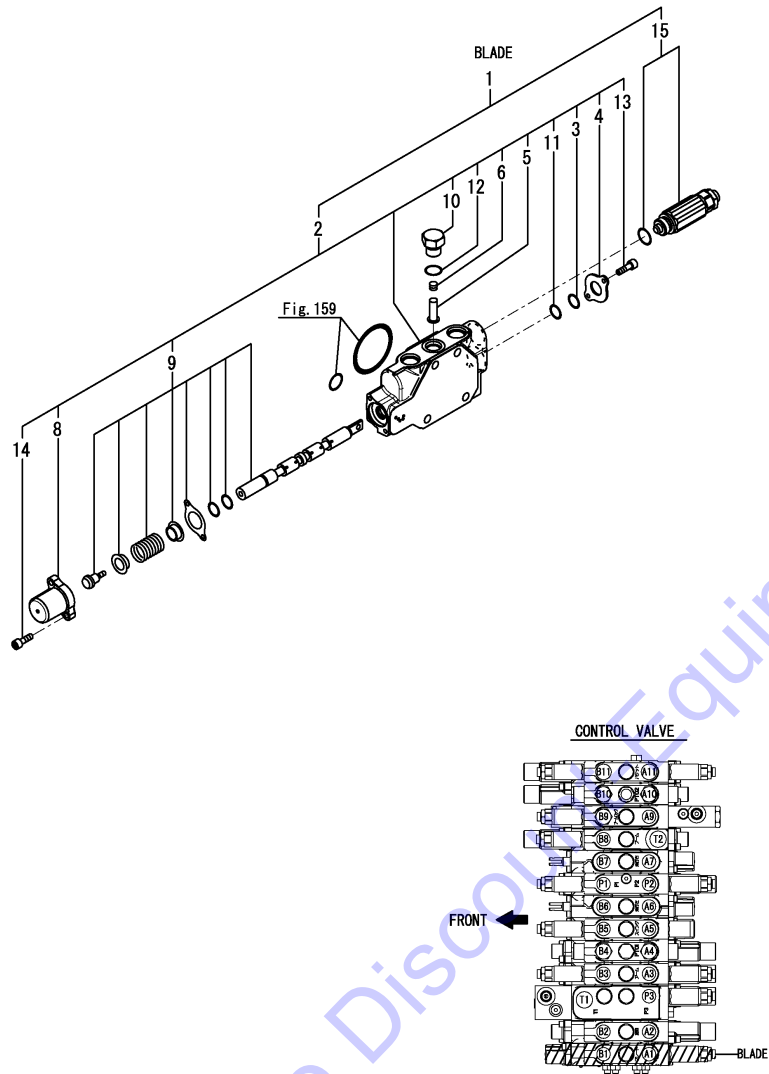
No.	Lev.	Parts No.	Description	Q'ty						I	R
				(A)	(B)	(C)	(D)	(E)	(F)		
1	2	172B04-74190	SECTION ASSY, SWING	1	1						
2	3	172458-74150	VALVE, REVERSE	1	1						
3	3	172458-74160	SPRING, VALVE	1	1						
5	3	172B04-74200	SPOOL ASSY, SWING	1	1						
6	3	172458-74230	O-RING	2	2						
7	3	172458-74240	COVER, PILOT	1	1						
8	3	172458-74250	COVER, PILOT	1	1						
9	3	172458-74260	BOLT	4	4						
10	3	172458-74630	STAY, VALVE	1	1						
11	3	24315-000110	O-RING, 1BP11.0	1	1						
12	2	172B04-74210	VALVE ASSY, CONFLUX	1	1						
13	3	172B03-74160	SECTION ASSY, CONFLUX	1	1						
14	4	172B03-74170	SPOOL ASSY, CONFLUX	1	1						
16	4	172458-74230	O-RING	1	1						
17	4	172B02-74240	BLOCK, PILOT	1	1						
18	4	172458-74250	COVER, PILOT	1	1						
19	4	172B02-74250	PLUG, THROTTLE	1	1						
20	4	172458-74260	BOLT	2	2						
21	4	172A47-74260	PLUG	1	1						
22	4	172458-74290	VALVE, REVERSE	2	2						
23	4	172458-74360	SPRING, VALVE	2	2						
24	4	172458-74640	STAY, VALVE	2	2						
25	4	172458-74670	PLUG	2	2						
26	4	172499-74860	FILTER	1	1						
27	4	172A47-74950	O-RING	1	1						
28	4	172A47-75680	O-RING	1	1						
29	4	172A47-75720	PLUG NPT1/16	1	1						
30	4	24315-000050	O-RING, 1BP5.0	2	2						
31	4	24315-000080	O-RING, 1BP8.0	2	2						
32	4	24315-000110	O-RING, 1BP11.0	2	2						
33	4	26450-050502	BOLT, M5X 50	3	3						
34	3	172B04-74460	RELIEF ASSY, 21.6	1	1						

Remarks
 * Not applied for angle blade specification.

Fig.165. (124G)CONTROL VALVE(8/8)

(A)=VIO45-6A P(US)
 (B)=VIO45-6A C(US)
 (C)=

(D)=
 (E)=
 (F)=



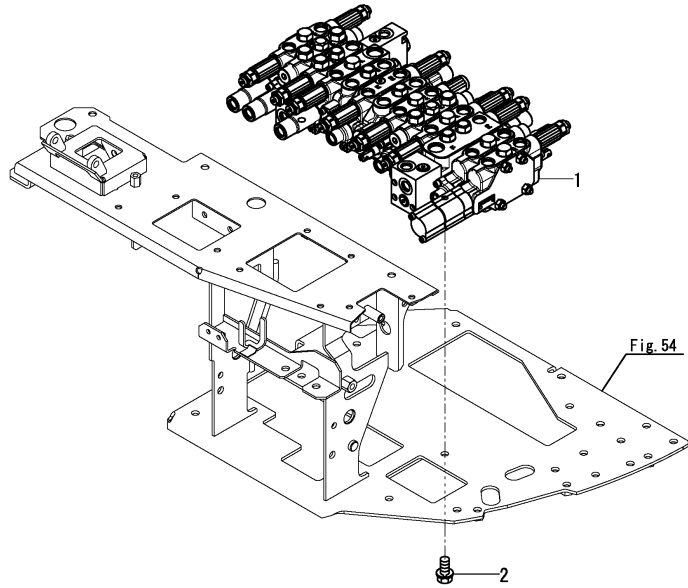
No.	Lev.	Parts No.	Description	Q'ty						I	R
				(A)	(B)	(C)	(D)	(E)	(F)		
1	2	172B04-74150	VALVE ASSY, BLADE	1	1						
2	3	172B04-74160	SECTION ASSY, BLADE	1	1						
3	4	172458-74130	WIPER, DUST	1	1						
4	4	172458-74140	RETAINER, SEAL	1	1						
5	4	172458-74150	VALVE, REVERSE	1	1						
6	4	172458-74160	SPRING, VALVE	1	1						
8	4	172458-74170	CAP, SPRING	1	1						
9	4	172B04-74170	SPOOL ASSY, BLADE	1	1						
10	4	172458-74630	STAY, VALVE	1	1						
11	4	24311-000120	O-RING, 1AP12.0	1	1						
12	4	24315-000110	O-RING, 1BP11.0	1	1						
13	4	26450-050102	BOLT, M5X 10	2	2						
14	4	26450-050182	BOLT, M5X 18	2	2						
15	3	172A47-75480	VALVE ASSY, OVERLOAD	1	1						

Remarks
 * Not applied for angle blade specification.

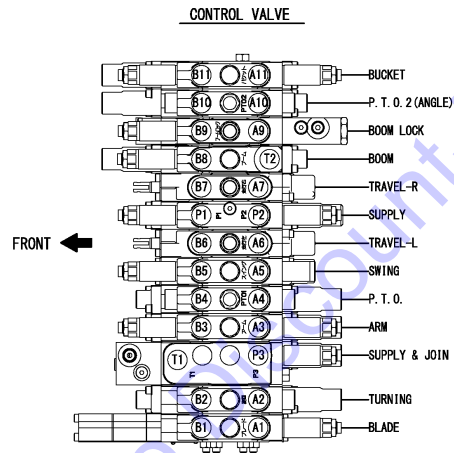
Fig.182. (124H)CONTROL VALVE(1/8)(ANGLE BLADE SPEC.)

(A)=VIO45-6A P(US)
 (B)=VIO45-6A C(US)
 (C)=

(D)=
 (E)=
 (F)=

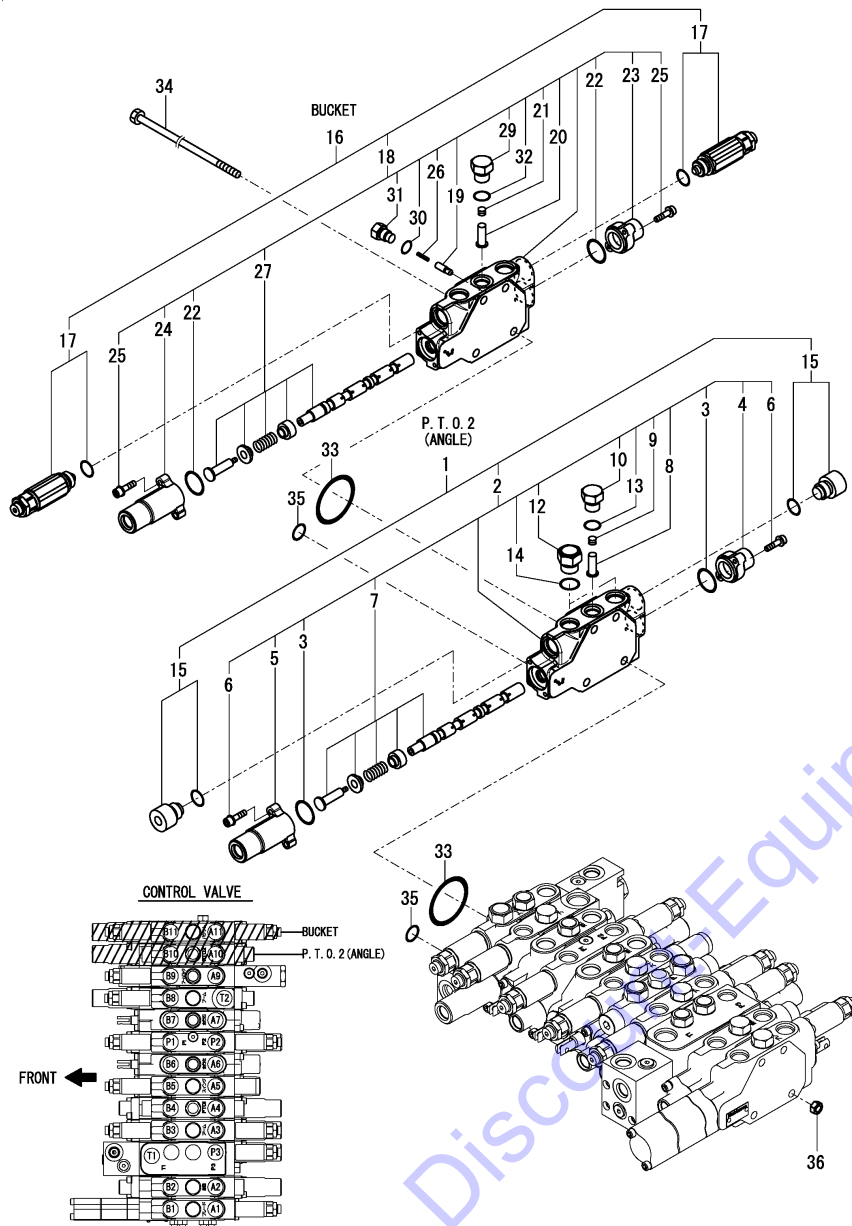


No.	Lev.	Parts No.	Description	Q'ty						I	R
				(A)	(B)	(C)	(D)	(E)	(F)		
1	1	172B04-74130	VALVE ASSY,CV ANGLE	1	1						
2	1	26013-100162	BOLT, M10X 16	3	3						



Remarks
 * Exclusive figure for angle blade specification.

Fig.183. (124I)CONTROL VALVE(2/8)(ANGLE BLADE SPEC.)



(A)=VIO45-6A P(US)
 (B)=VIO45-6A C(US)
 (C)=

(D)=
 (E)=
 (F)=

No.	Lev.	Parts No.	Description	Q'ty						I	R
				(A)	(B)	(C)	(D)	(E)	(F)		
1	2	172B05-74250	VALVE ASSY, ANGLE	1	1						
2	3	172B05-74260	SECTION ASSY, ANGLE	1	1						
3	4	172458-74230	O-RING 1B S 22.0	2	2						
4	4	172458-74240	COVER B1, PILOT	1	1						
5	4	172458-74250	COVER A1, PILOT	1	1						
6	4	172458-74260	SWP HEX.BOLT 5X20	4	4						
7	4	172B05-74270	SPOOL ASSY, ANGLE	1	1						
8	4	172490-74310	CHECK VALVE	1	1						
9	4	172490-74320	SPRING, CHECK VALVE	1	1						
10	4	172490-74330	STAY, CHECK VALVE	1	1						
12	4	172A47-75620	STAY,CHECK V(SC3A	2	2						
13	4	24315-000110	PACKING, P 11.0	1	1						
14	4	24315-000140	PACKING, P 14.0	2	2						
15	3	172A47-75460	RELIEF VALVE PLUG AS	2	2						
16	2	172B04-74390	VALVE ASSY, BUCKET	1	1						
17	3	172A48-74200	VALVE ASSY,OVERLOAD	2	2						
18	3	172B04-74400	SECTION ASSY, BUCKET	1	1						
19	4	172499-70180	CHECK VALVE	1	1						
20	4	172458-74150	CHECK VALVE	1	1						
21	4	172458-74160	SPRING, CHECK VALVE	1	1						
22	4	172458-74230	O-RING 1B S 22.0	2	2						
23	4	172458-74240	COVER B1, PILOT	1	1						
24	4	172458-74250	COVER A1, PILOT	1	1						
25	4	172458-74260	SWP HEX.BOLT 5X20	4	4						
26	4	172173-74280	SPRING,CHECK	1	1						
27	4	172A78-74370	SPOOL ASSY, BUCKET	1	1						
29	4	172458-74630	STAY, CHECK VALVE	1	1						
30	4	172A47-74950	O-RING AS568-904	1	1						
31	4	172A47-74970	STAY, CHECK VALVE	1	1						
32	4	24315-000110	PACKING, P 11.0	1	1						
33	2	172458-74720	O-RING 1B W G4	12	12						
34	2	172A47-75450	BOLT L=412	4	4						
35	2	24311-000200	PACKING, P 20.0	12	12						
36	2	26716-080002	NUT, 8	4	4						

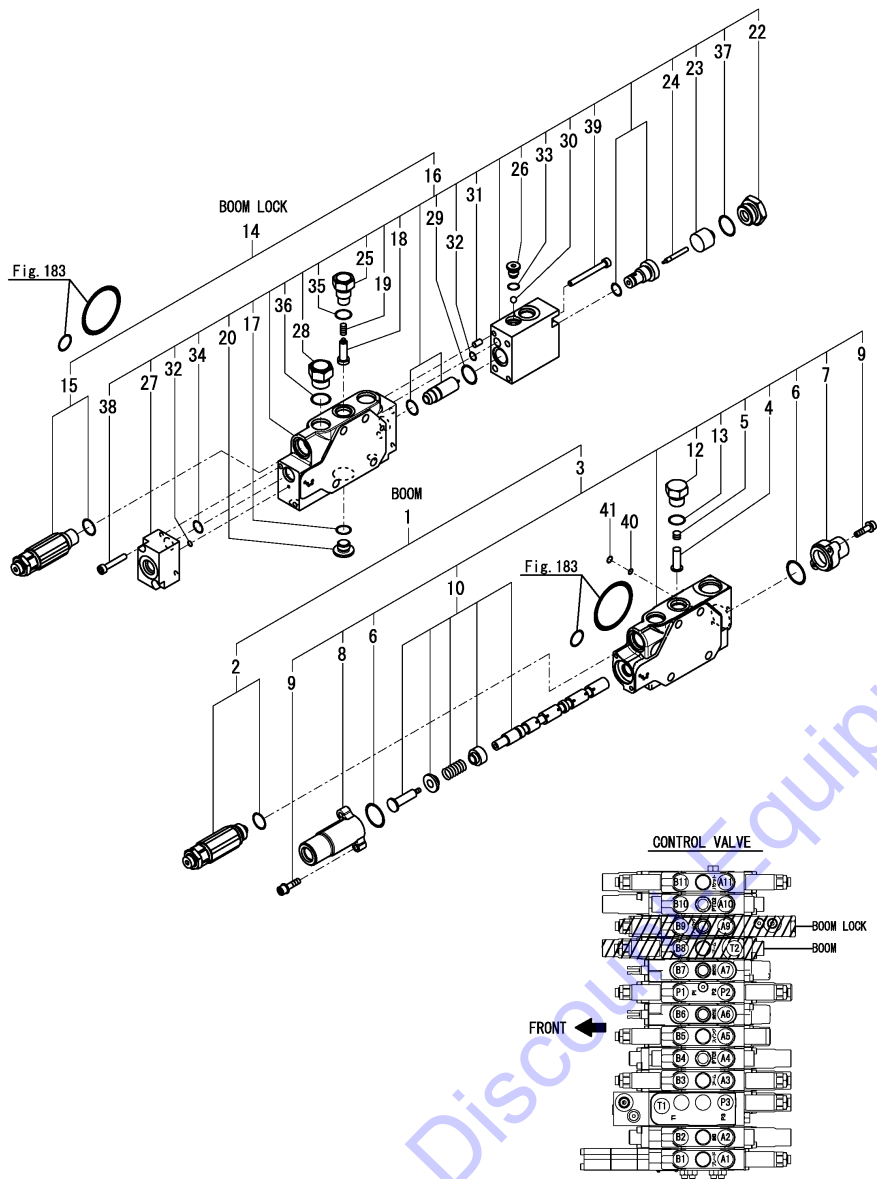
Remarks

* Exclusive figure for angle blade specification.

* Control valve assy is shown in Fig.182.

N:Old $\begin{matrix} \leftarrow \text{Yes} \\ \text{No} \end{matrix}$ New, Q:Old $\begin{matrix} \leftarrow \text{No} \\ \text{Yes} \end{matrix}$ New, R:Old $\begin{matrix} \leftarrow \text{Yes} \\ \text{Yes} \end{matrix}$ New, S:Old $\begin{matrix} \leftarrow \text{No} \\ \text{No} \end{matrix}$ New, W:Add, Z:Discontinued, F:Interchangeable by set, K:Q'ty Change

Fig.184. (124J)CONTROL VALVE(3/8)(ANGLE BLADE SPEC.)



(A)=VIO45-6A P(US)
 (B)=VIO45-6A C(US)
 (C)=

(D)=
 (E)=
 (F)=

No.	Lev.	Parts No.	Description	Q'ty						I	R
				(A)	(B)	(C)	(D)	(E)	(F)		
1	2	172B04-74350	VALVE ASSY, BOOM	1	1						
2	3	172A48-74200	VALVE ASSY,OVERLOAD	1	1						
3	3	172B04-74360	SECTION ASSY, BOOM	1	1						
4	4	172458-74150	CHECK VALVE	1	1						
5	4	172458-74160	SPRING, CHECK VALVE	1	1						
6	4	172458-74230	O-RING 1B S 22.0	2	2						
7	4	172458-74240	COVER B1, PILOT	1	1						
8	4	172458-74250	COVER A1, PILOT	1	1						
9	4	172458-74260	SWP HEX.BOLT 5X20	4	4						
10	4	172B04-74370	SPOOL ASSY, BOOM	1	1						
12	4	172458-74630	STAY, CHECK VALVE	1	1						
13	4	24315-000110	PACKING, P 11.0	1	1						
14	2	172B02-74890	VALVE ASSY, LOCK	1	1						
15	3	172456-74440	OVERLOAD 300/5	1	1						
16	3	172B02-74450	SECTION ASSY, LOCK	1	1						
17	4	172A47-74270	O-RING 1B S16	1	1						
18	4	172458-74290	CHECK VALVE	1	1						
19	4	172458-74360	SPRING, CHECK VALVE	1	1						
20	4	172A47-74460	PLUG,M12X1.25	1	1						
22	4	172A47-74560	BUSH PF1/2X1/4	1	1						
23	4	172A47-74570	PISTON B	1	1						
24	4	172A47-74580	PISTON A1	1	1						
25	4	172458-74640	STAY, CHECK VALVE	1	1						
26	4	172A47-74920	STAY,BALL	1	1						
27	4	172A47-74930	BODY,DISCHARGE	1	1						
28	4	172A47-75620	STAY,CHECK V(SC3A	1	1						
29	4	172A47-75680	O-RING AS 1B17	1	1						
30	4	172A47-75690	STEEL BALE 7MM	1	1						
31	4	22312-050100	PIN, 5 X 10	2	2						
32	4	24311-000060	PACKING, P 6.0	2	2						
33	4	24315-000080	PACKING, P 8.0	1	1						
34	4	24315-000100	PACKING, P 10.0	1	1						
35	4	24315-000110	PACKING, P 11.0	1	1						
36	4	24315-000140	PACKING, P 14.0	1	1						
37	4	24315-000180	PACKING, P 18.0	1	1						
38	4	26450-050302	BOLT, 5 X 30	2	2						
39	4	26450-060652	BOLT, 6 X 65	2	2						
40	2	24315-000090	PACKING, P 9.0	1	1						
41	2	24315-000100	PACKING, P 10.0	1	1						

Remarks

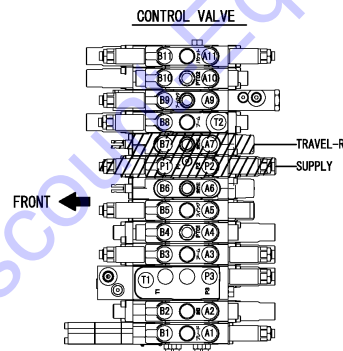
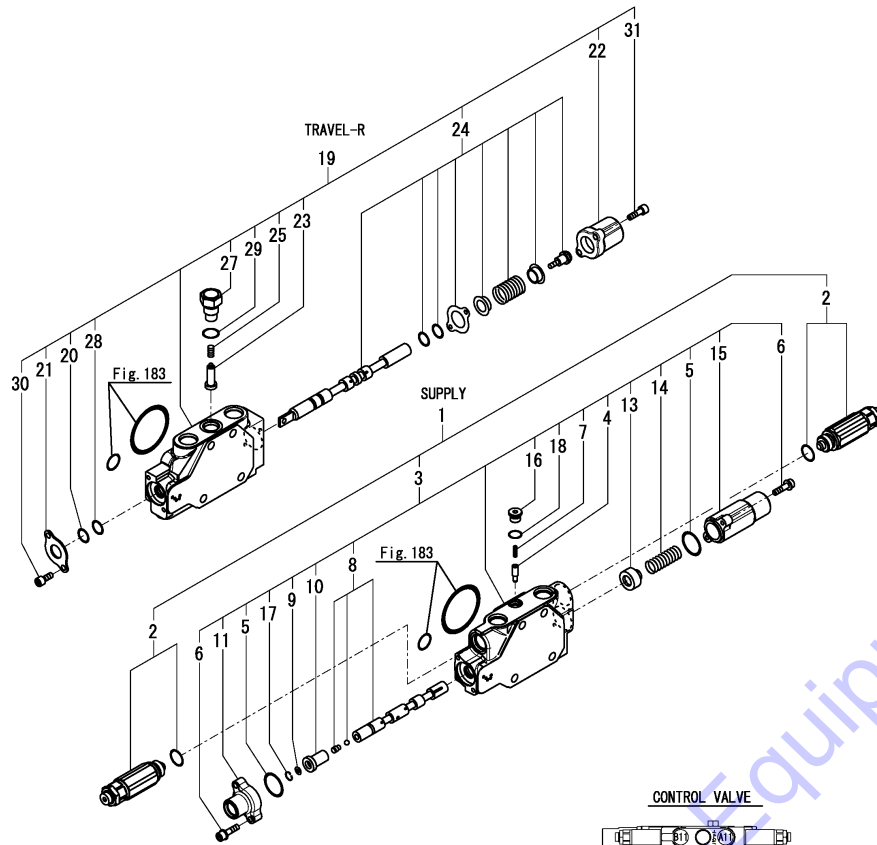
* Exclusive figure for angle blade specification.

* Control valve assy is shown in Fig.182.

Fig.185. (124K)CONTROL VALVE(4/8)(ANGLE BLADE SPEC.)

(A)=VIO45-6A P(US)
 (B)=VIO45-6A C(US)
 (C)=

(D)=
 (E)=
 (F)=



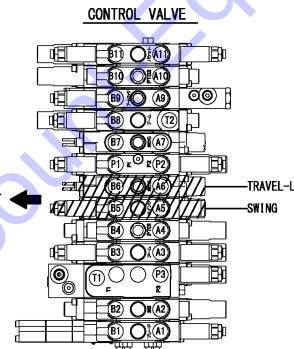
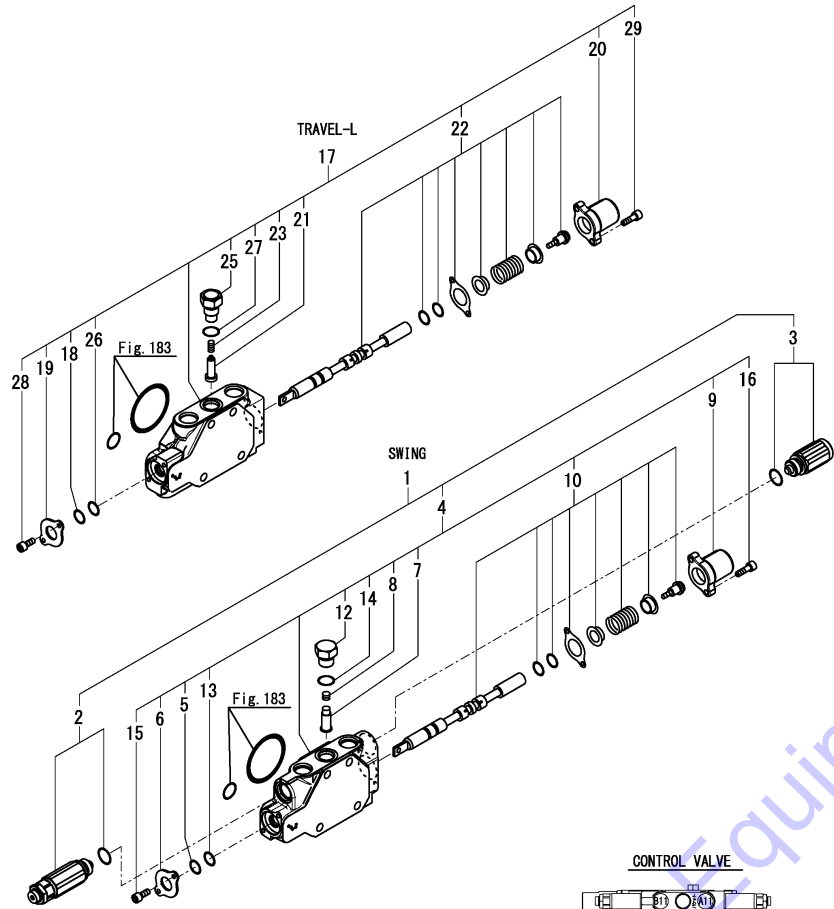
No.	Lev.	Parts No.	Description	Q'ty						I	R
				(A)	(B)	(C)	(D)	(E)	(F)		
1	2	172A79-74240	SECTION ASSY, INLET	1	1						
2	3	172A48-74210	RELIEF VALVE ASSY	2	2						
3	3	172A78-74450	SECTION ASSY, INLET	1	1						
4	4	172499-70180	CHECK VALVE	1	1						
5	4	172458-74230	O-RING 1B S 22.0	2	2						
6	4	172458-74260	SWP HEX.BOLT 5X20	4	4						
7	4	172173-74280	SPRING,CHECK	1	1						
8	4	172A47-74350	SPOOL ASSY,INLET	1	1						
9	4	172A47-74360	FILTER	1	1						
10	4	172A47-74370	PISTON	1	1						
11	4	172A47-74380	COVER B5, PILOT	1	1						
13	4	172458-74530	SEAT, SPRING	1	1						
14	4	172458-74540	SPRING,RETURN	1	1						
15	4	172458-74550	COVER A2, PILOT	1	1						
16	4	172458-74670	PLUG,PF1/8	1	1						
17	4	172A47-74980	CIRCLIP,C	1	1						
18	4	24315-000080	PACKING, P 8.0	1	1						
19	2	172B04-74320	SECTION ASSY,TRAVEL2	1	1						
20	3	172458-74130	DUST WIPER	1	1						
21	3	172458-74140	BRACKET, OIL SEAL	1	1						
22	3	172458-74170	CAP,SPRING	1	1						
23	3	172458-74290	CHECK VALVE	1	1						
24	3	172B04-74330	SPOOL ASSY, TRAVEL	1	1						
25	3	172458-74360	SPRING, CHECK VALVE	1	1						
27	3	172458-74640	STAY, CHECK VALVE	1	1						
28	3	24311-000120	PACKING, P 12.0	1	1						
29	3	24315-000110	PACKING, P 11.0	1	1						
30	3	26450-050102	BOLT, 5 X 10	2	2						
31	3	26450-050182	BOLT, 5 X 18	2	2						

Remarks
 * Exclusive figure for angle blade specification.
 * Control valve assy is shown in Fig.182.

Fig.186. (124L)CONTROL VALVE(5/8)(ANGLE BLADE SPEC.)

(A)=VIO45-6A P(US)
 (B)=VIO45-6A C(US)
 (C)=

(D)=
 (E)=
 (F)=



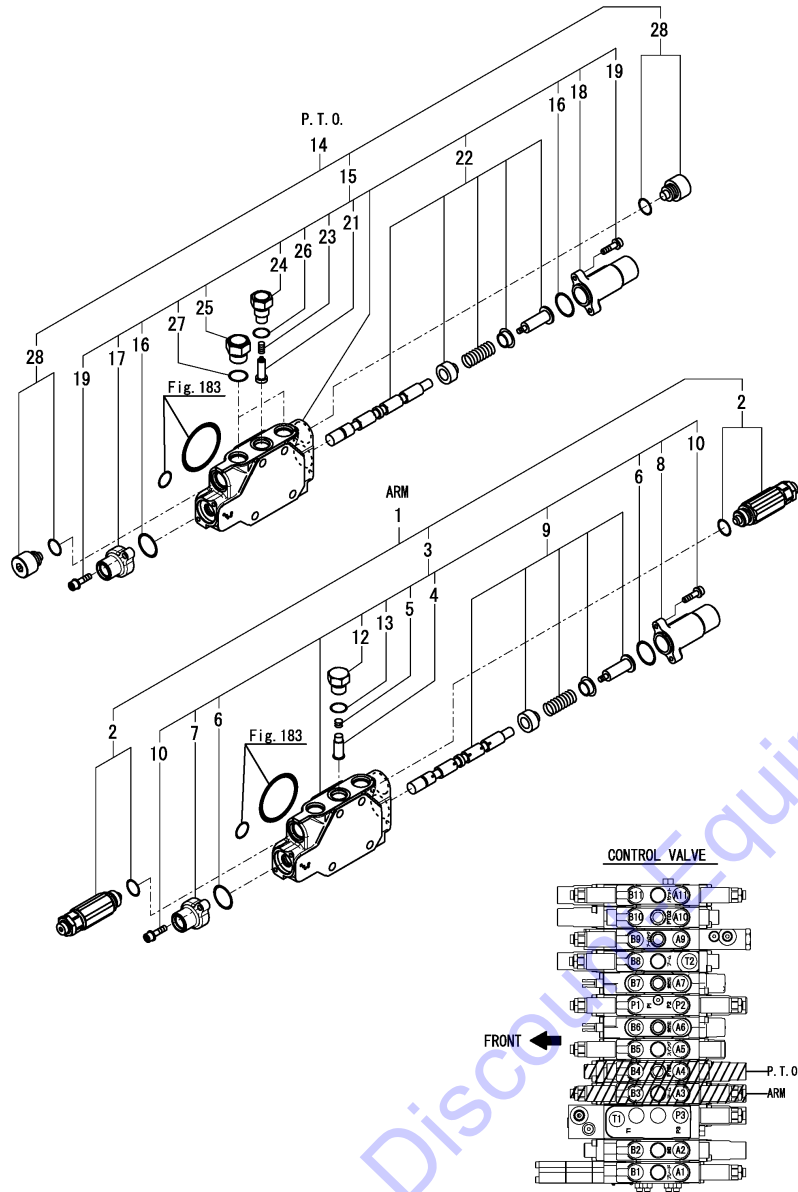
No.	Lev.	Parts No.	Description	Q'ty						I	R
				(A)	(B)	(C)	(D)	(E)	(F)		
1	2	172B04-74270	VALVE ASSY, B SWING	1	1						
2	3	172A48-74200	VALVE ASSY,OVERLOAD	1	1						
3	3	172447-74230	ANTI CABITATION ASSY	1	1						
4	3	172B04-74280	SECTION ASSY,B SWING	1	1						
5	4	172458-74130	DUST WIPER	1	1						
6	4	172458-74140	BRACKET, OIL SEAL	1	1						
7	4	172458-74150	CHECK VALVE	1	1						
8	4	172458-74160	SPRING, CHECK VALVE	1	1						
9	4	172458-74170	CAP,SPRING	1	1						
10	4	172A78-74330	SPOOL ASSY, SWING	1	1						
12	4	172458-74630	STAY, CHECK VALVE	1	1						
13	4	24311-000120	PACKING, P 12.0	1	1						
14	4	24315-000110	PACKING, P 11.0	1	1						
15	4	26450-050102	BOLT, 5 X 10	2	2						
16	4	26450-050182	BOLT, 5 X 18	2	2						
17	2	172B04-74310	SECTION ASSY,TRAVEL1	1	1						
18	3	172458-74130	DUST WIPER	1	1						
19	3	172458-74140	BRACKET, OIL SEAL	1	1						
20	3	172458-74170	CAP,SPRING	1	1						
21	3	172458-74290	CHECK VALVE	1	1						
22	3	172B04-74330	SPOOL ASSY, TRAVEL	1	1						
23	3	172458-74360	SPRING, CHECK VALVE	1	1						
25	3	172458-74640	STAY, CHECK VALVE	1	1						
26	3	24311-000120	PACKING, P 12.0	1	1						
27	3	24315-000110	PACKING, P 11.0	1	1						
28	3	26450-050102	BOLT, 5 X 10	2	2						
29	3	26450-050182	BOLT, 5 X 18	2	2						

Remarks
 * Exclusive figure for angle blade specification.
 * Control valve assy is shown in Fig.182.

Fig.187. (124M)CONTROL VALVE(6/8)(ANGLE BLADE SPEC.)

(A)=VIO45-6A P(US)
 (B)=VIO45-6A C(US)
 (C)=

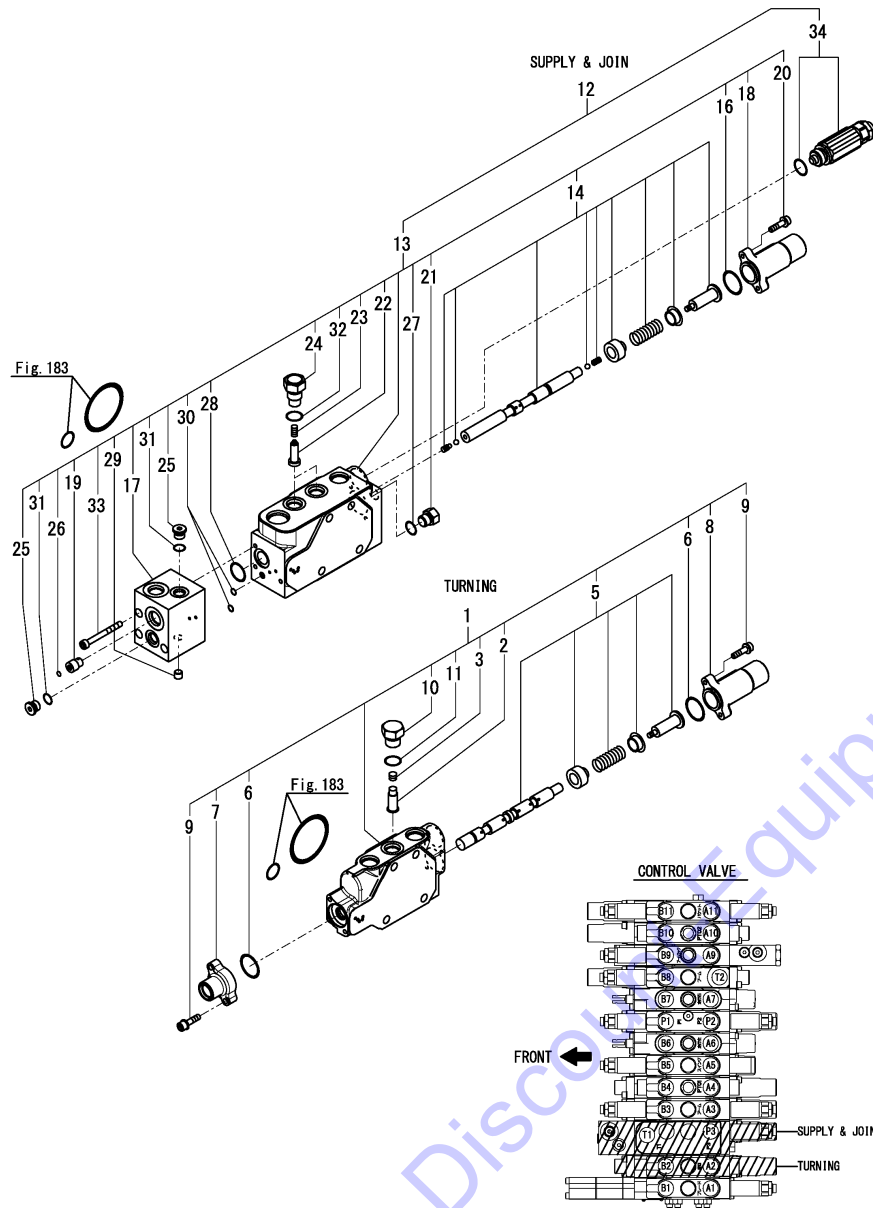
(D)=
 (E)=
 (F)=



No.	Lev.	Parts No.	Description	Q'ty						I	R
				(A)	(B)	(C)	(D)	(E)	(F)		
1	2	172B04-74230	VALVE ASSY, ARM	1	1						
2	3	172A48-74200	VALVE ASSY,OVERLOAD	2	2						
3	3	172B04-74240	SECTION ASSY, ARM	1	1						
4	4	172458-74150	CHECK VALVE	1	1						
5	4	172458-74160	SPRING, CHECK VALVE	1	1						
6	4	172458-74230	O-RING 1B S 22.0	2	2						
7	4	172458-74240	COVER B1, PILOT	1	1						
8	4	172458-74250	COVER A1, PILOT	1	1						
9	4	172B04-74250	SPOOL ASSY, ARM	1	1						
10	4	172458-74260	SWP HEX.BOLT 5X20	4	4						
12	4	172458-74630	STAY, CHECK VALVE	1	1						
13	4	24315-000110	PACKING, P 11.0	1	1						
14	2	172B02-74850	VALVE ASSY, PTO	1	1						
15	3	172B02-74290	SECTION ASSY, PTO	1	1						
16	4	172458-74230	O-RING 1B S 22.0	2	2						
17	4	172458-74240	COVER B1, PILOT	1	1						
18	4	172458-74250	COVER A1, PILOT	1	1						
19	4	172458-74260	SWP HEX.BOLT 5X20	4	4						
21	4	172490-74310	CHECK VALVE	1	1						
22	4	172B02-74310	SPOOL ASSY, PTO	1	1						
23	4	172490-74320	SPRING, CHECK VALVE	1	1						
24	4	172490-74330	STAY, CHECK VALVE	1	1						
25	4	172A47-75620	STAY,CHECK V(SC3A	2	2						
26	4	24315-000110	PACKING, P 11.0	1	1						
27	4	24315-000140	PACKING, P 14.0	2	2						
28	3	172A47-75460	RELIEF VALVE PLUG AS	2	2						

Remarks
 * Exclusive figure for angle blade specification.
 * Control valve assy is shown in Fig.182.

Fig.188. (124N)CONTROL VALVE(7/8)(ANGLE BLADE SPEC.)



(A)=VIO45-6A P(US)
 (B)=VIO45-6A C(US)
 (C)=

(D)=
 (E)=
 (F)=

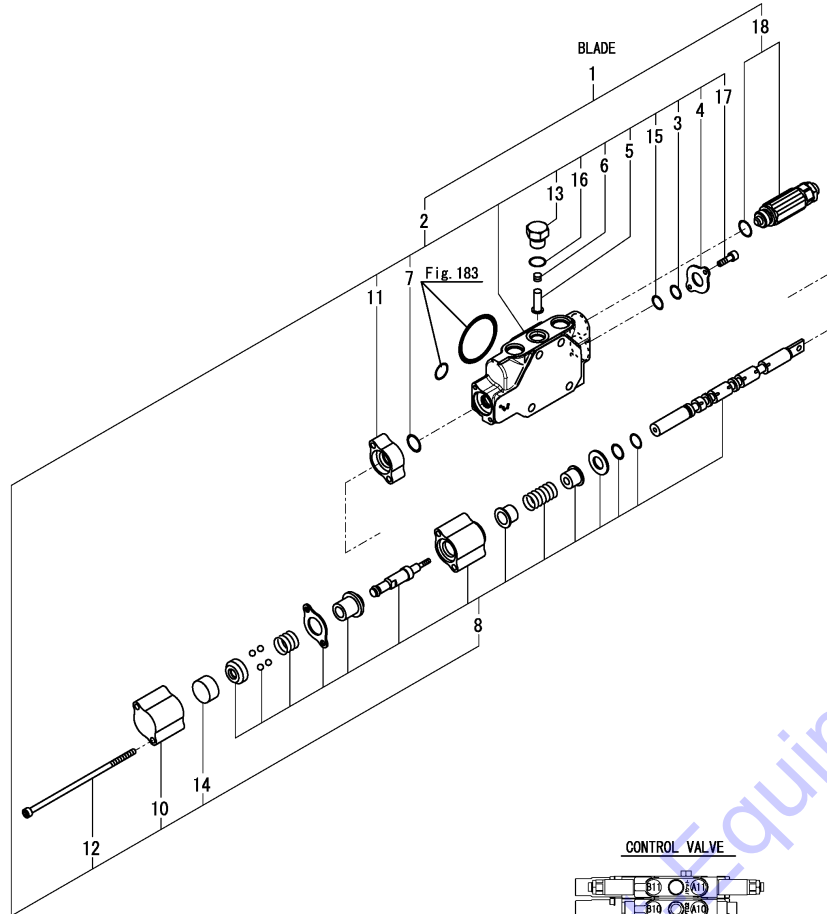
No.	Lev.	Parts No.	Description	Q'ty						I	R
				(A)	(B)	(C)	(D)	(E)	(F)		
1	2	172B05-74180	SECTION ASSY,SWING F	1	1						
2	3	172458-74150	CHECK VALVE	1	1						
3	3	172458-74160	SPRING, CHECK VALVE	1	1						
5	3	172B04-74200	SPOOL ASSY, SWING	1	1						
6	3	172458-74230	O-RING 1B S 22.0	2	2						
7	3	172458-74240	COVER B1, PILOT	1	1						
8	3	172458-74250	COVER A1, PILOT	1	1						
9	3	172458-74260	SWP HEX.BOLT 5X20	4	4						
10	3	172458-74630	STAY, CHECK VALVE	1	1						
11	3	24315-000110	PACKING, P 11.0	1	1						
12	2	172B04-74210	VALVE ASSY, CONFLUX	1	1						
13	3	172B03-74160	SECTION ASSY,CONFLUX	1	1						
14	4	172B03-74170	SPOOL ASSY, CONFLUX	1	1						
16	4	172458-74230	O-RING 1B S 22.0	1	1						
17	4	172B02-74240	BLOCK, PILOT	1	1						
18	4	172458-74250	COVER A1, PILOT	1	1						
19	4	172B02-74250	PLUG, THROTTLE	1	1						
20	4	172458-74260	SWP HEX.BOLT 5X20	2	2						
21	4	172A47-74260	PLUG (SAE1/4)	1	1						
22	4	172458-74290	CHECK VALVE	2	2						
23	4	172458-74360	SPRING, CHECK VALVE	2	2						
24	4	172458-74640	STAY, CHECK VALVE	2	2						
25	4	172458-74670	PLUG,PF1/8	2	2						
26	4	172499-74860	FILTER	1	1						
27	4	172A47-74950	O-RING AS568-904	1	1						
28	4	172A47-75680	O-RING AS 1B17	1	1						
29	4	172A47-75720	PLUG NPT1/16	1	1						
30	4	24315-000050	PACKING, P 5.0	2	2						
31	4	24315-000080	PACKING, P 8.0	2	2						
32	4	24315-000110	PACKING, P 11.0	2	2						
33	4	26450-050502	BOLT, 5 X 50	3	3						
34	3	172B04-74460	RELIEF ASSY, 21.6	1	1						

Remarks
 * Exclusive figure for angle blade specification.
 * Control valve assy is shown in Fig.182.

Fig.189. (1240)CONTROL VALVE(8/8)(ANGLE BLADE SPEC.)

(A)=VIO45-6A P(US)
 (B)=VIO45-6A C(US)
 (C)=

(D)=
 (E)=
 (F)=



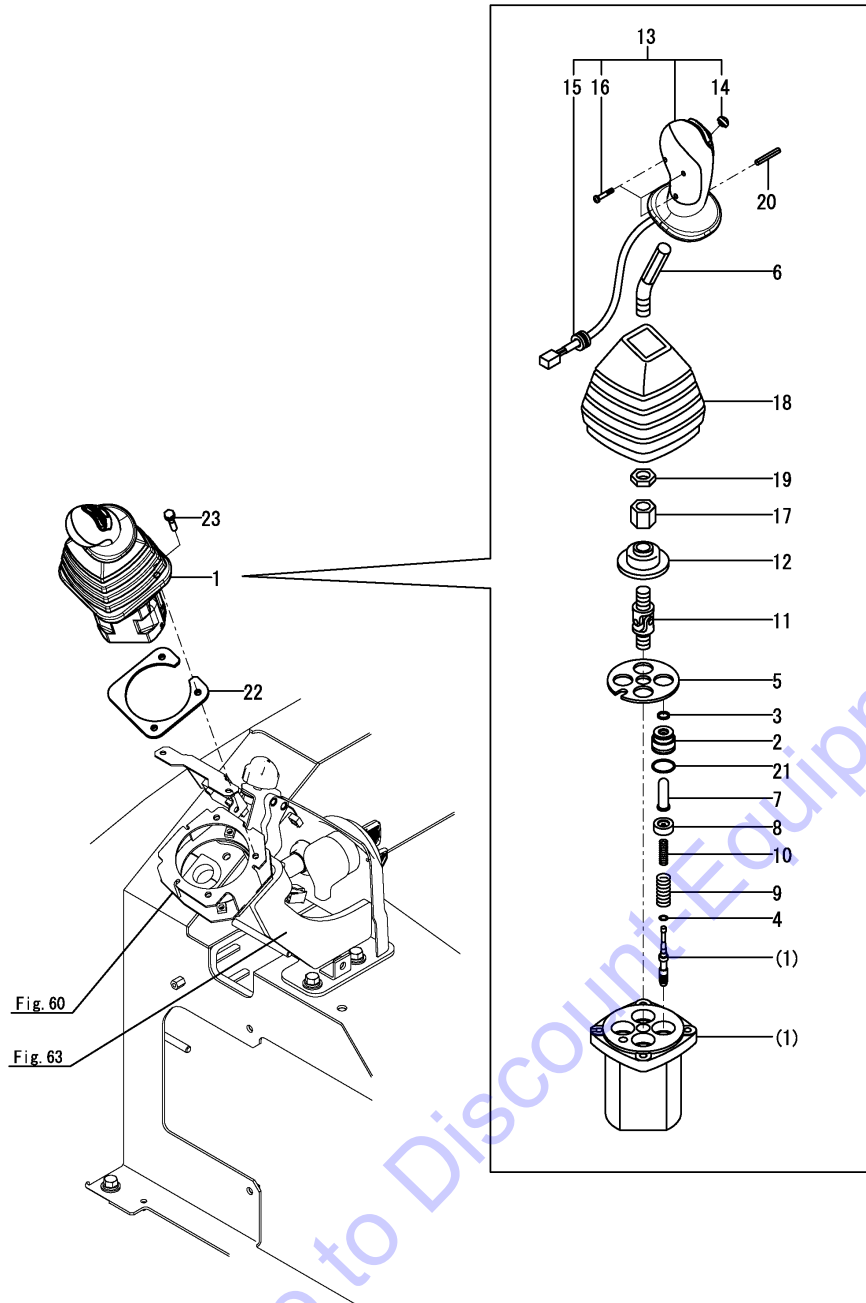
No.	Lev.	Parts No.	Description	Q'ty						I	R
				(A)	(B)	(C)	(D)	(E)	(F)		
1	2	172B05-74310	VALVE ASSY, BLADE FL	1	1						
2	3	172B05-74320	SECTION ASSY, BLADE F	1	1						
3	4	172458-74130	DUST WIPER	1	1						
4	4	172458-74140	BRACKET, OIL SEAL	1	1						
5	4	172458-74150	CHECK VALVE	1	1						
6	4	172458-74160	SPRING, CHECK VALVE	1	1						
7	4	172458-74230	O-RING 1B S 22.0	1	1						
8	4	172B05-74330	SPOOL ASSY, BLADE FL	1	1						
10	4	172B05-74350	COVER, RETURN SPRING	1	1						
11	4	172B05-74360	CASE, SEAL	1	1						
12	4	172B05-74370	BOLT, SOCKET M5X100	2	2						
13	4	172458-74630	STAY, CHECK VALVE	1	1						
14	4	172531-74710	STOPPER	1	1						
15	4	24311-000120	PACKING, P 12.0	1	1						
16	4	24315-000110	PACKING, P 11.0	1	1						
17	4	26450-050102	BOLT, 5 X 10	2	2						
18	3	172A47-75480	VALVE ASSY, OVERLOAD	1	1						

Remarks
 * Exclusive figure for angle blade specification.
 * Control valve assy is shown in Fig.182.

Fig.125. REMOTE CONTROL VALVE(RIGHT)

(A)=VIO45-6A P(US)
 (B)=VIO45-6A C(US)
 (C)=

(D)=
 (E)=
 (F)=



No.	Lev.	Parts No.	Description	Q'ty						I	R
				(A)	(B)	(C)	(D)	(E)	(F)		
1	1	172B03-74530	VALVE ASSY,R-PB	1	1						
2	2	172151-73400	PLUG	4	4						
3	2	172151-73420	SEAL	4	4						
4	2	172151-73450	WASHER	4	4						
5	2	172A64-74590	PLATE	1	1						
6	2	172B03-74590	LEVER	1	1						
7	2	172A64-74600	ROD,PUSH	4	4						
8	2	172A64-74610	SEAT, SPRING	4	4						
9	2	172A64-74620	SPRING	4	4						
10	2	172A64-74630	SPRING	4	4						
11	2	172A64-74640	JOINT	1	1						
12	2	172A64-74650	PLATE	1	1						
13	2	172B03-74650	HANDLE ASSY,PB	1	1						
14	3	172B03-74660	COVER, SWITCH	1	1						
15	3	172A64-74670	BUSH	1	1						
16	3	22853-300161	SCREW, 3.0 X 16	3	3						
17	2	172A64-74660	NUT	1	1						
18	2	172A64-74680	BELLOWS	1	1						
19	2	172A64-74900	NUT, LOCK	1	1						
20	2	172A64-74930	PIN,SPRING	1	1						
21	2	24315-000200	O-RING, 1BP20.0	4	4						
22	1	172A78-74650	PLATE ASSY,VALVE	1	1						
23	1	26013-060302	BOLT, M6X 30	3	3						

Fig.126. REMOTE CONTROL VALVE(LEFT)

(A)=VIO45-6A P(US)
 (B)=VIO45-6A C(US)
 (C)=

(D)=
 (E)=
 (F)=

No.	Lev.	Parts No.	Description	Q'ty						I	R
				(A)	(B)	(C)	(D)	(E)	(F)		
1	1	172B03-74560	VALVE ASSY,L-N	1	1						
2	2	172151-73400	PLUG	4	4						
3	2	172151-73420	SEAL	4	4						
4	2	172151-73450	WASHER	4	4						
5	2	172A64-74590	PLATE	1	1						
6	2	172B03-74590	LEVER	1	1						
7	2	172A64-74600	ROD,PUSH	4	4						
8	2	172A64-74610	SEAT, SPRING	4	4						
9	2	172A64-74620	SPRING	4	4						
10	2	172A64-74630	SPRING	4	4						
11	2	172A64-74640	JOINT	1	1						
12	2	172A64-74650	PLATE	1	1						
13	2	172A64-74660	NUT	1	1						
14	2	172A64-74680	BELLOWS	1	1						
15	2	172B03-74680	HANDLE ASSY,N	1	1						
16	3	22853-300161	SCREW, 3.0 X 16	3	3						
17	2	172A64-74900	NUT, LOCK	1	1						
18	2	172A64-74930	PIN,SPRING	1	1						
19	2	24315-000200	O-RING, 1BP20.0	4	4						
20	1	172A78-74650	PLATE ASSY,VALVE	1	1						
21	1	26013-060302	BOLT, M6X 30	3	3						

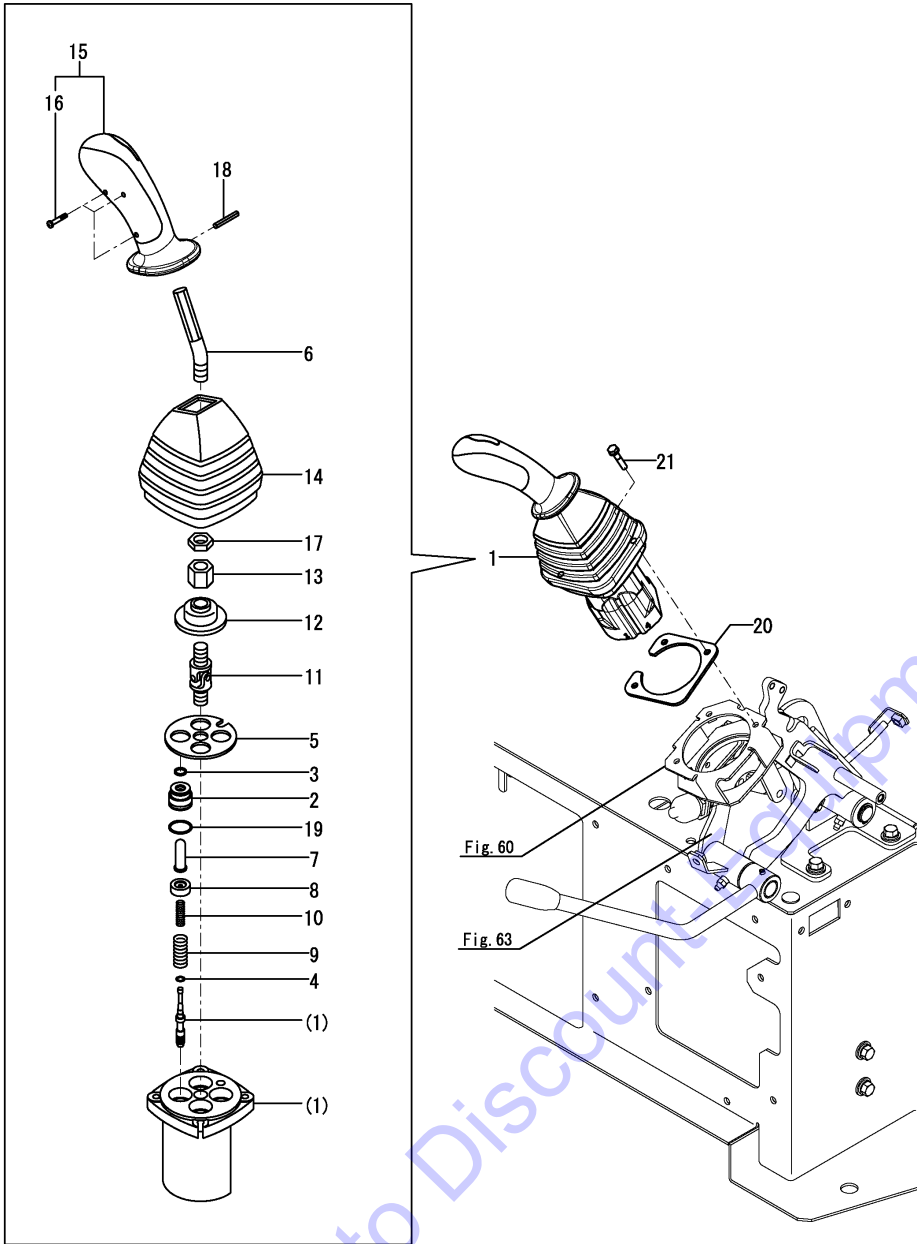
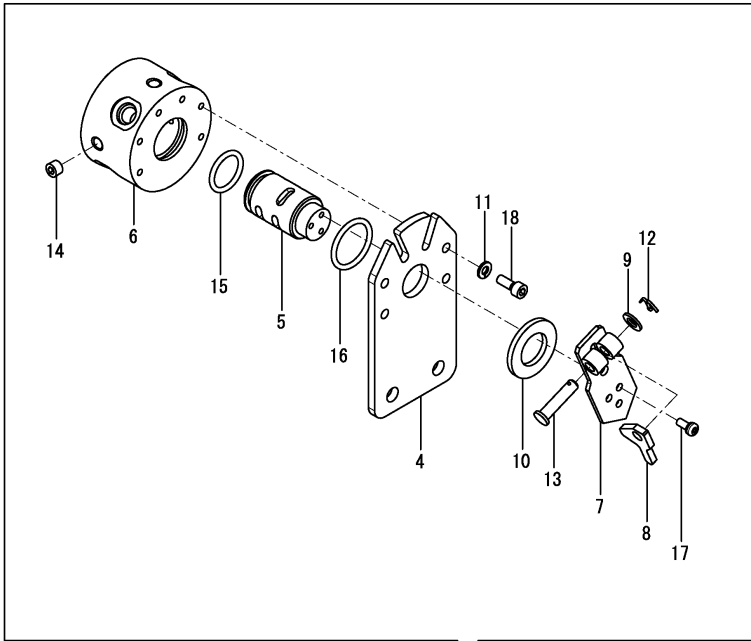


Fig.127. 2-WAY VALVE

(A)=VIO45-6A P(US)
 (B)=VIO45-6A C(US)
 (C)=

(D)=
 (E)=
 (F)=



No.	Lev.	Parts No.	Description	Q'ty						I	R
				(A)	(B)	(C)	(D)	(E)	(F)		
1	1	172157-58830	KNOB, 6.5X18X35	1	1						
2	1	172B03-74370	BRACKET ASSY, 2WAY	1	1						
3	1	172B03-74700	VALVE ASSY, 2-WAY	1	1						
4	2	172B03-74420	STAY, 2WAY	1	1						
5	2	172437-74711	SHAFT	1	1						
6	2	172437-74720	BLOCK, VALVE	1	1						
7	2	172A36-74750	LEVER	1	1						
8	2	172A36-74780	PLATE, LOCK	1	1						
9	2	22117-080000	WASHER, 8	1	1						
10	2	22137-240000	WASHER, 24	1	1						
11	2	22217-060000	WASHER, SPRING 6	4	4						
12	2	22417-200160	PIN, COTTER 2.0X16	1	1						
13	2	22487-080300	PIN, H 8X 30	1	1						
14	2	23871-010000	PLUG, R01	4	4						
15	2	24311-000250	O-RING, 1AP25.0	1	1						
16	2	24311-000320	O-RING, 1AP32.0	1	1						
17	2	26022-050122	SCREW, M5X12	3	3						
18	2	26450-060162	BOLT, M6X 16	4	4						
19	1	26013-100202	BOLT, M10X 20	2	2						
20	1	26013-100202	BOLT, M10X 20	3	3						

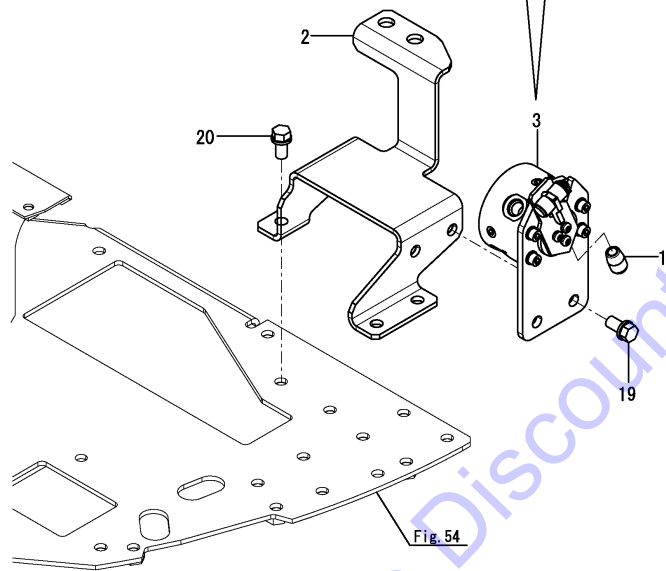


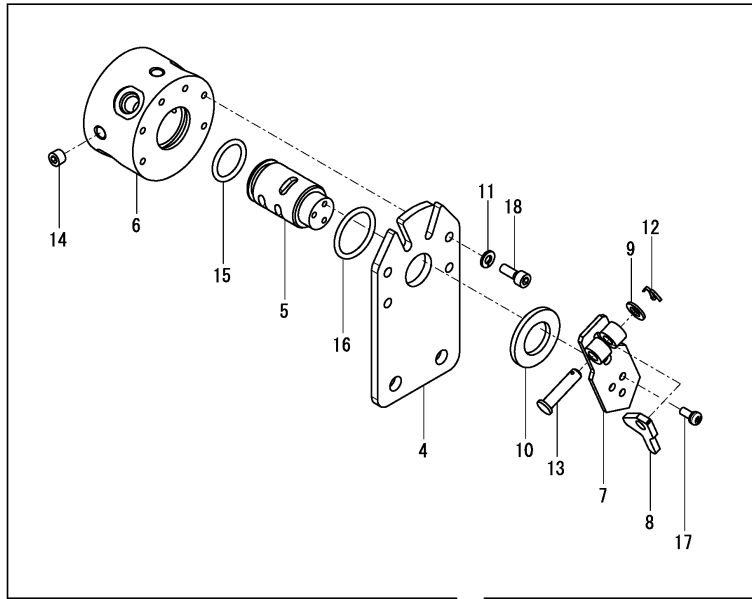
Fig. 54

Remarks
 * Not applied for angle blade specification.

Fig.190. (127A)2-WAY VALVE(ANGLE BLADE SPEC.)

(A)=VIO45-6A P(US)
 (B)=VIO45-6A C(US)
 (C)=

(D)=
 (E)=
 (F)=



No.	Lev.	Parts No.	Description	Q'ty						I	R
				(A)	(B)	(C)	(D)	(E)	(F)		
1	1	172157-58830	KNOB, 6.5X18X35	1	1						
2	1	172B03-74440	BRACKET ASSY,2WAY A	1	1						
3	1	172B03-74700	VALVE ASSY, 2-WAY	1	1						
4	2	172B03-74420	STAY, 2WAY	1	1						
5	2	172437-74711	SHAFT	1	1						
6	2	172437-74720	BLOCK, VALVE	1	1						
7	2	172A36-74750	LEVER ASSY	1	1						
8	2	172A36-74780	PLATE,LOCK	1	1						
9	2	22117-080000	WASHER, 8	1	1						
10	2	22137-240000	WASHER, 24	1	1						
11	2	22217-060000	WASHER, 6	4	4						
12	2	22417-200160	PIN, 2.0 X 16	1	1						
13	2	22487-080300	PIN, 8 X 30	1	1						
14	2	23871-010000	PLUG, R01	4	4						
15	2	24311-000250	PACKING, P 25.0	1	1						
16	2	24311-000320	PACKING, P 32.0	1	1						
17	2	26022-050122	SCREW, 5 X 12	3	3						
18	2	26450-060162	BOLT, 6 X 16	4	4						
19	1	26013-100202	BOLT, 10 X 20	2	2						
20	1	26013-100202	BOLT, 10 X 20	3	3						

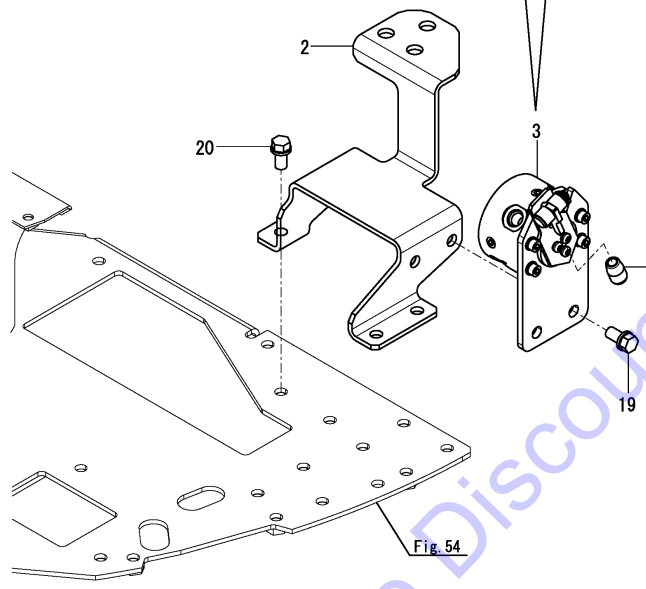


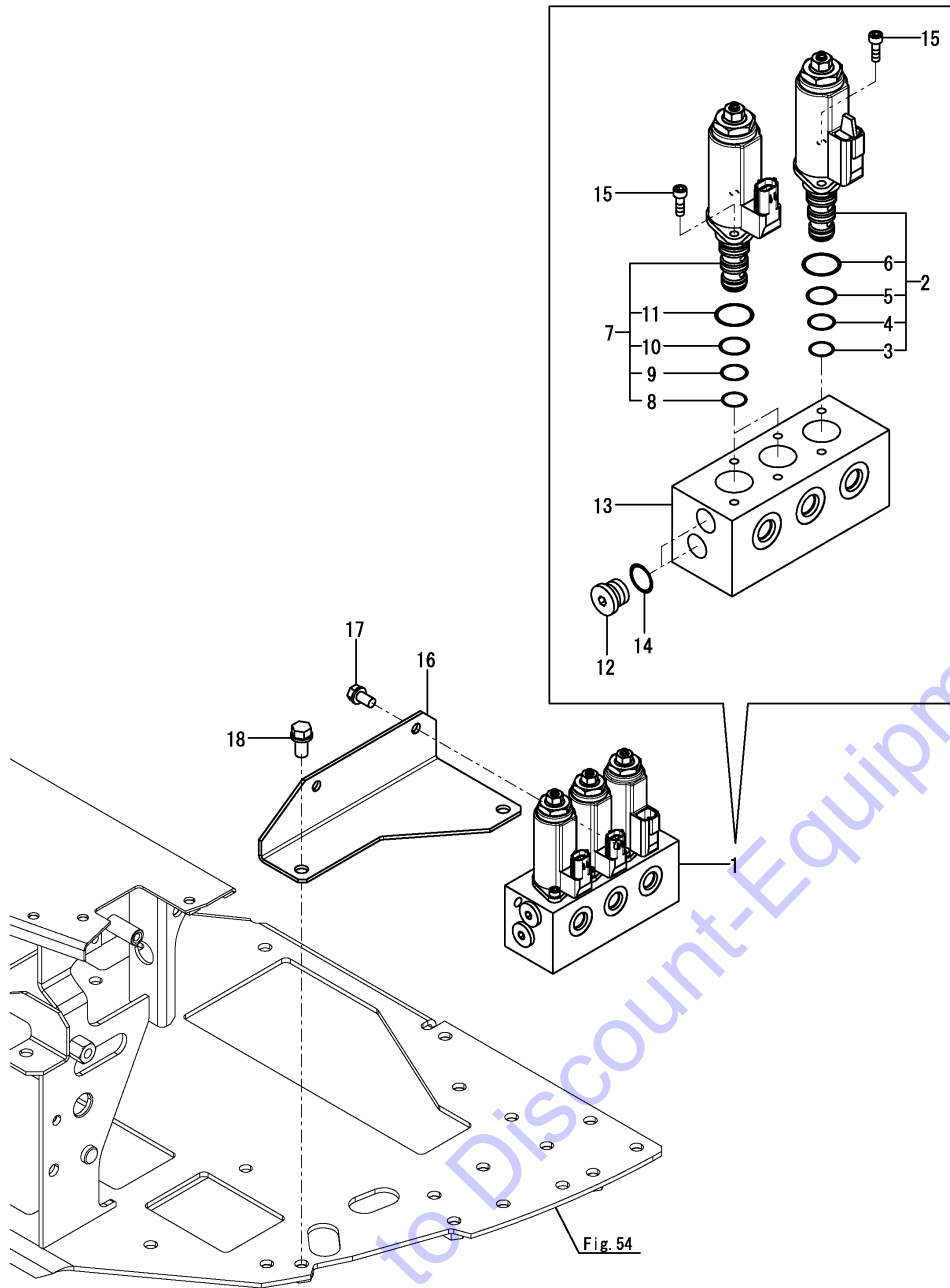
Fig. 54

Remarks
 * Exclusive figure for angle blade specification.

Fig.128. SOLENOID VALVE(P.T.O.)(E.S.S. SPEC.)

(A)=VIO45-6A P(US)
 (B)=VIO45-6A C(US)
 (C)=

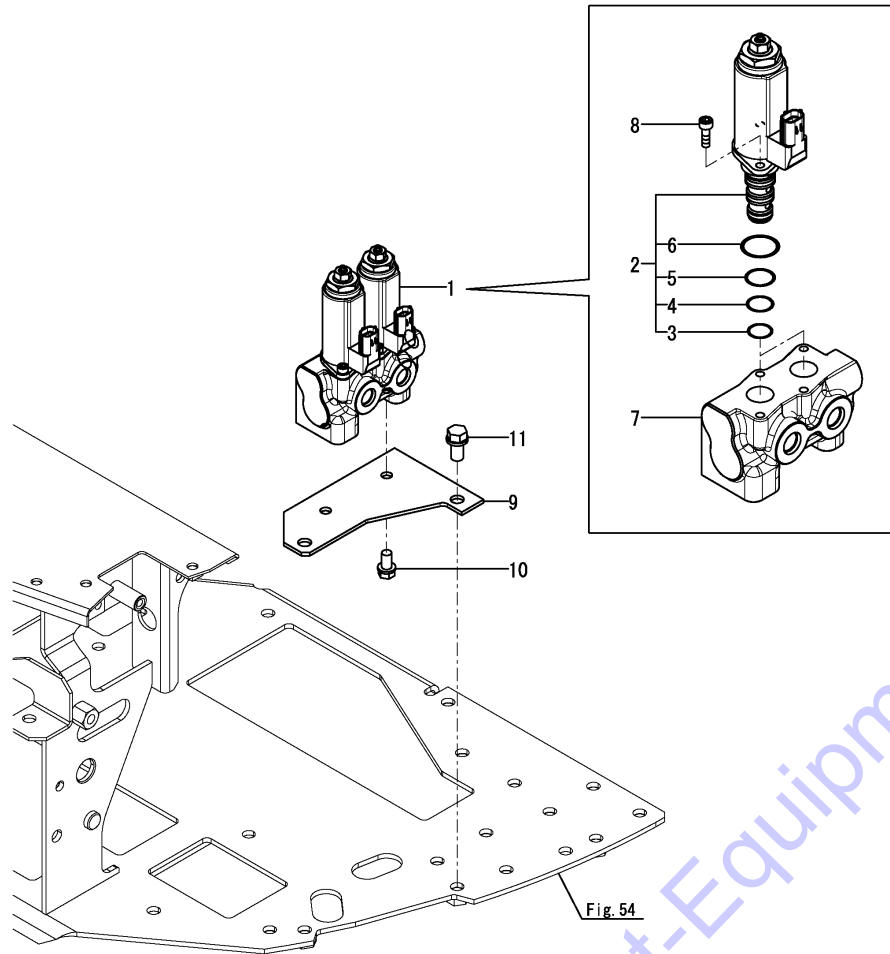
(D)=
 (E)=
 (F)=



No.	Lev.	Parts No.	Description	Q'ty						I	R
				(A)	(B)	(C)	(D)	(E)	(F)		
1	1	172B03-74730	VALVE ASSY,PPP		1						
2	2	172B03-74740	CARTRIDGE ASSY,P0.7A		1						
3	3	172B03-74860	O-RING, 1B AS 013		1						
4	3	172B03-74870	O-RING, 1B AS 014		1						
5	3	172B03-74880	O-RING, 1B AS 015		1						
6	3	24315-000200	O-RING, 1BP20.0		1						
7	2	172B03-74750	CARTRIDGE ASSY,P1.6A		2						
8	3	172B03-74860	O-RING, 1B AS 013		2						
9	3	172B03-74870	O-RING, 1B AS 014		2						
10	3	172B03-74880	O-RING, 1B AS 015		2						
11	3	24315-000200	O-RING, 1BP20.0		2						
12	2	172A47-74770	PLUG		2						
13	2	172B03-74780	BLOCK, 3		1						
14	2	24315-000110	O-RING, 1BP11.0		2						
15	2	26450-050122	BOLT, M5X 12		6						
16	1	172B03-74950	STAY , SOL 3 K		1						
17	1	26013-080162	BOLT, M8X 16		2						
18	1	26013-100202	BOLT, M10X 20		2						

(A)=VIO45-6A P(US)
 (B)=VIO45-6A C(US)
 (C)=

(D)=
 (E)=
 (F)=



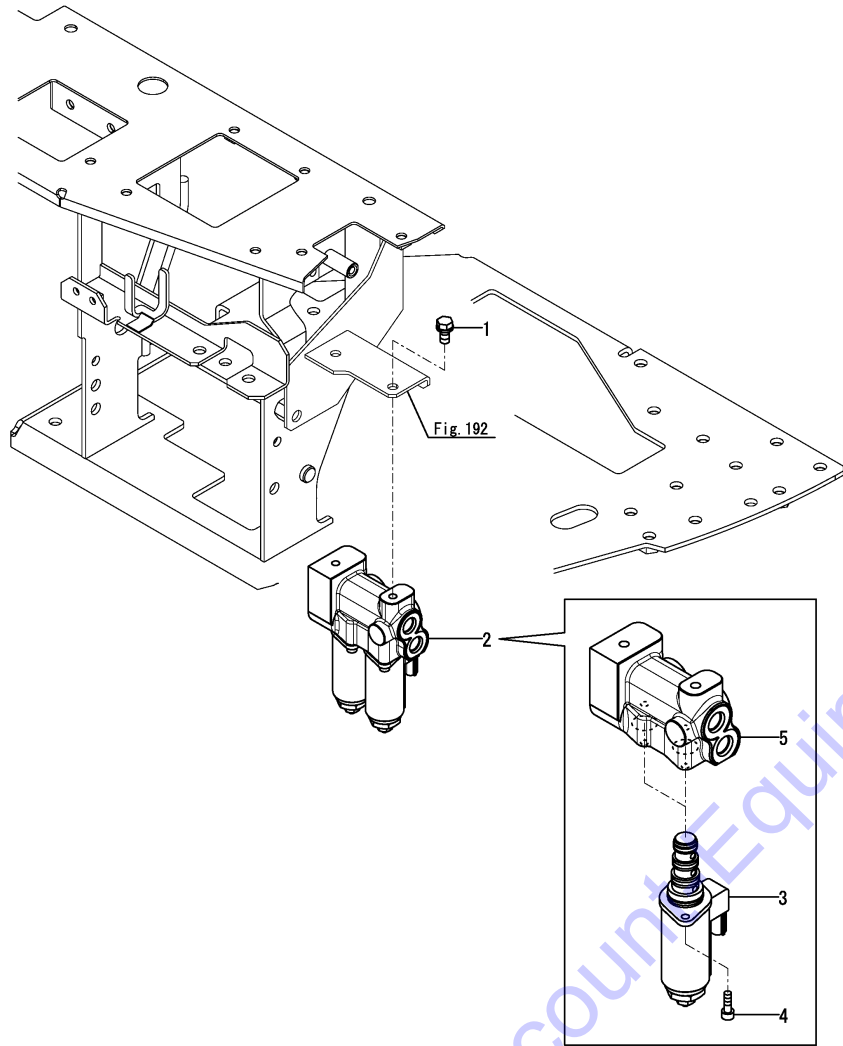
No.	Lev.	Parts No.	Description	Q'ty						I	R
				(A)	(B)	(C)	(D)	(E)	(F)		
1	1	172B03-74720	VALVE ASSY,PP	1	1						
2	2	172B03-74750	CARTRIDGE ASSY,P1.6A	2	2						
3	3	172B03-74860	O-RING, 1B AS 013	2	2						
4	3	172B03-74870	O-RING, 1B AS 014	2	2						
5	3	172B03-74880	O-RING, 1B AS 015	2	2						
6	3	24315-000200	O-RING, 1BP20.0	2	2						
7	2	172B03-74770	BLOCK, 2	1	1						
8	2	172B03-74790	BOLT, 10.9 M5X12	4	4						
8-1	2	172B05-74730	BOLT, SOCKET M5X12	4	4						N
		(A=*2016.06.) (B=*2016.06.)									
9	1	172B03-74930	STAY , SOL 2 K	1	1						
10	1	26013-080162	BOLT, M8X 16	2	2						
11	1	26013-100202	BOLT, M10X 20	2	2						

Go to Discount-Equipment.com to buy your parts

Fig.191. (129A)SOLENOID VALVE(P.T.O. 2)(ANGLE BLADE SPEC.)

(A)=VIO45-6A P(US)
 (B)=VIO45-6A C(US)
 (C)=

(D)=
 (E)=
 (F)=



No.	Lev.	Parts No.	Description	Q'ty						I	R
				(A)	(B)	(C)	(D)	(E)	(F)		
1	1	26013-080162	BOLT, 8 X 16	2	2						
2	1	172B05-74710	VALVE ASSY,CC	1	1						
3	2	172B05-74720	CARTRIDGE ASSY,C	2	2						W
4	2	172B05-74730	BOLT, SOCKET M5X12	4	4						W
5	2	172B03-74770	BLOCK, 2	1	1						W

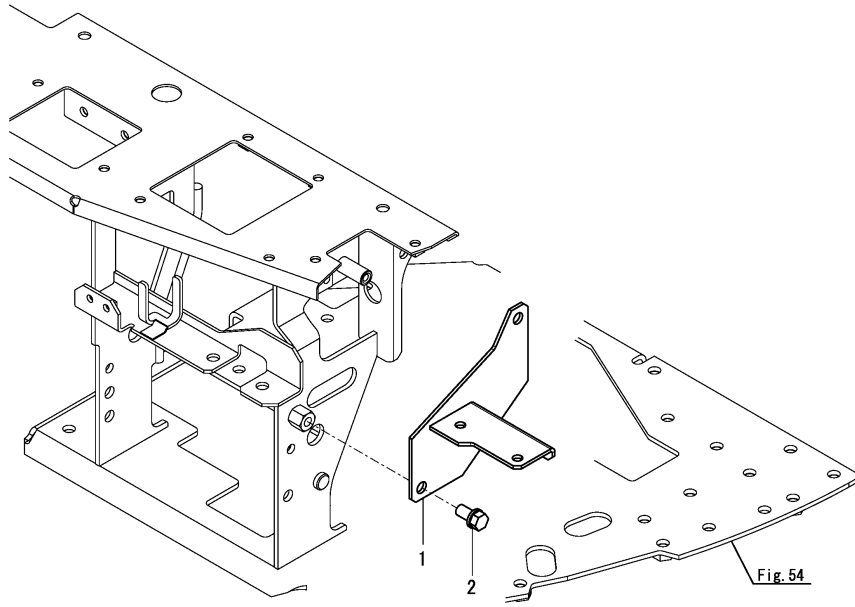
Remarks
 * Exclusive figure for angle blade specification.

Fig.192. (129B)SOLENOID VALVE BRACKET(P.T.O. 2)(ANGLE BLADE SPEC.)

(A)=V1O45-6A P(US)
 (B)=V1O45-6A C(US)
 (C)=

(D)=
 (E)=
 (F)=

No.	Lev.	Parts No.	Description	Q'ty						I	R
				(A)	(B)	(C)	(D)	(E)	(F)		
1	1	172B03-74460	BRACKET ASSY,PTO2	1	1						
2	1	26013-100202	BOLT, 10 X 20	2	2						



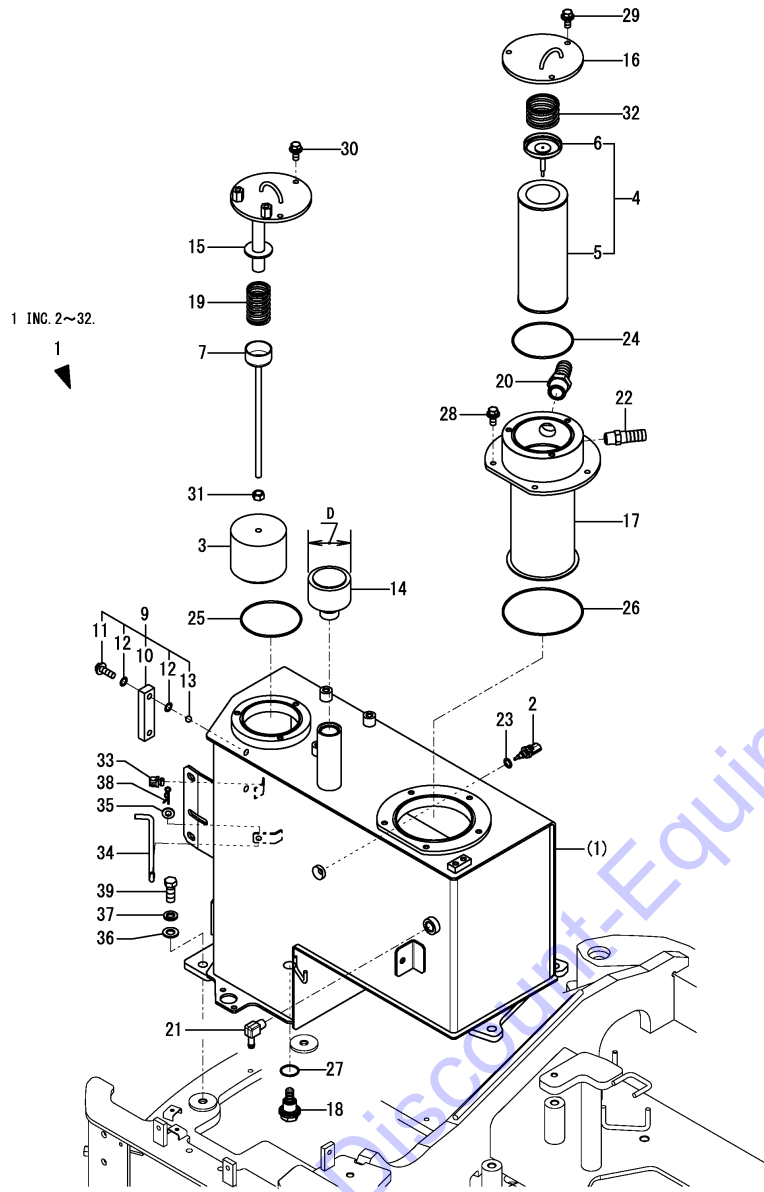
Go to Discount-Equipment.com to order your parts

Remarks
 * Exclusive figure for angle blade specification.

Fig.130. HYD. OIL TANK

(A)=VIO45-6A P(US)
 (B)=VIO45-6A C(US)
 (C)=

(D)=
 (E)=
 (F)=



No.	Lev.	Parts No.	Description	Q'ty						I	R
				(A)	(B)	(C)	(D)	(E)	(F)		
1	1	172B04-08380	RESERVOIR KIT	1	1						1
1-1	1	172B04-08381	RESERVOIR KIT	1	1						N
		(A=M60583) (B=M60583)									
2	2	129927-44900	SENSOR, WATER TEMP.	1	1						
3	2	172137-73700	FILTER, SUCTION	1	1						
4	2	172175-73700	FILTER ASSY, RETURN	1	1						
5	3	172175-73710	ELEMENT, FILTER	1	1						
6	3	172141-73770	VALVE ASSY, BY-PASS	1	1						
7	2	172137-73710	ROD ASSY, FILTER	1	1						
9	2	172455-75270	GAUGE ASSY, OIL	1	1						
10	3	172455-75280	GAUGE	1	1						
11	3	172455-75290	BOLT	2	2						
12	3	172455-75300	O-RING	4	4						
13	3	172455-75310	FLOAT	1	1						
14	2	172B06-75370	BREATHER ASSY	1	1						
14-1	2	172446-75250	CAP, RESERVER	1	1						N 3
		(A=M60583) (B=M60583)									
15	2	172B04-75400	COVER ASSY	1	1						
16	2	172141-75430-5	COVER ASSY, INTAKE	1	1						
17	2	172B04-75450	FLANGE ASSY,RETURN	1	1						
18	2	172187-75500	PLUG	1	1						
19	2	172112-75780	SPRING, FILTER	1	1						
20	2	172187-76180	NIPPLE, HOSE	1	1						
21	2	172168-76370	ELBOW	1	1						
22	2	172438-76460	NIPPLE, HOSE	1	1						
23	2	22190-120002	WASHER, SEAL 12	1	1						
24	2	24321-001050	O-RING, 1AG105.0	1	1						
25	2	24321-001050	O-RING, 1AG105.0	1	1						
26	2	24321-001400	O-RING, 1AG140.0	1	1						
27	2	24341-000300	O-RING, 1AS30.0	1	1						
28	2	26014-080202	BOLT, M8X 20	5	5						
29	2	26014-080202	BOLT, M8X 20	3	3						
30	2	26014-080202	BOLT, M8X 20	3	3						
31	2	26716-100002	NUT, M10	1	1						
32	2	933152-02710	SPRING, CLUTCH	1	1						
32A	1	172B04-03490	LABEL,RESERVOIR EX	1	1						2
33	1	1A7400-61250	HOLDER, ROD 8	1	1						
34	1	172B04-65780	HOOK, BONNET R	1	1						
35	1	22137-080000	WASHER, 8	1	1						
36	1	22137-140000	WASHER, 14	4	4						
37	1	22217-140000	WASHER, SPRING 14	4	4						
38	1	22372-080000	PIN, SNAP 8	1	1						
39	1	26116-140352	BOLT, M14X 35 PLATED	4	4						

Remarks

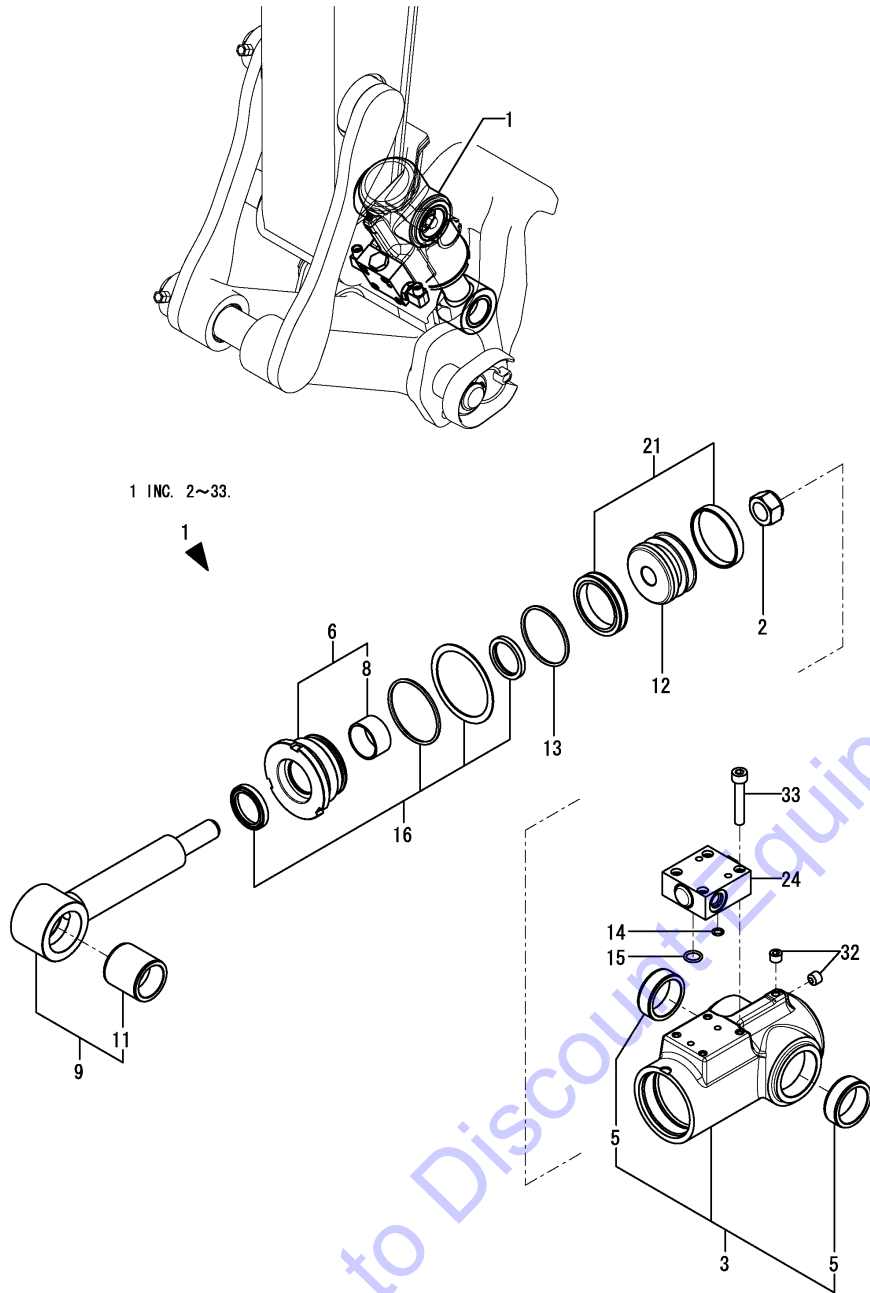
- (1)Attach the No.32A label to this part.
- (2)Label is not illustrated.
- (3)D=No.14 : 76mm, No.14-1 : 42mm.

Fig.148. QUICK COUPLER(HITCH CYLINDER)

(A)=VIO45-6A P(US)
 (B)=VIO45-6A C(US)
 (C)=

(D)=
 (E)=
 (F)=

No.	Lev.	Parts No.	Description	Q'ty						I	R
				(A)	(B)	(C)	(D)	(E)	(F)		
1	1	172960-72800-N	CYLINDER ASSY, HITCH	1	1						
2	2	172141-72580	NUT, M20	1	1						
3	2	172960-72810-N	TUBE, HITCH	1	1						
5	3	172960-72950	BUSH	2	2						
6	2	172960-72860	HEAD	1	1						
8	3	24550-035200	BUSH, 35X20	1	1						
9	2	172960-72880	ROD ASSY, HITCH	1	1						
11	3	172960-72920	BUSH	1	1						
12	2	172960-72890	PISTON	1	1						
13	2	172960-72900	WASHER	1	1						
14	2	172958-72950	O-RING	1	1						
15	2	172958-72960	O-RING	1	1						
16	2	172960-72960	SEAL SET, HEAD	1	1						
21	2	172960-72970	SEAL SET, PISTON	1	1						
24	2	172958-72983-N	VALVE ASSY, OPERATE	1	1						
32	2	23871-005000	PLUG, R005	2	2						
33	2	26450-060302	BOLT, M6X 30	4	4						

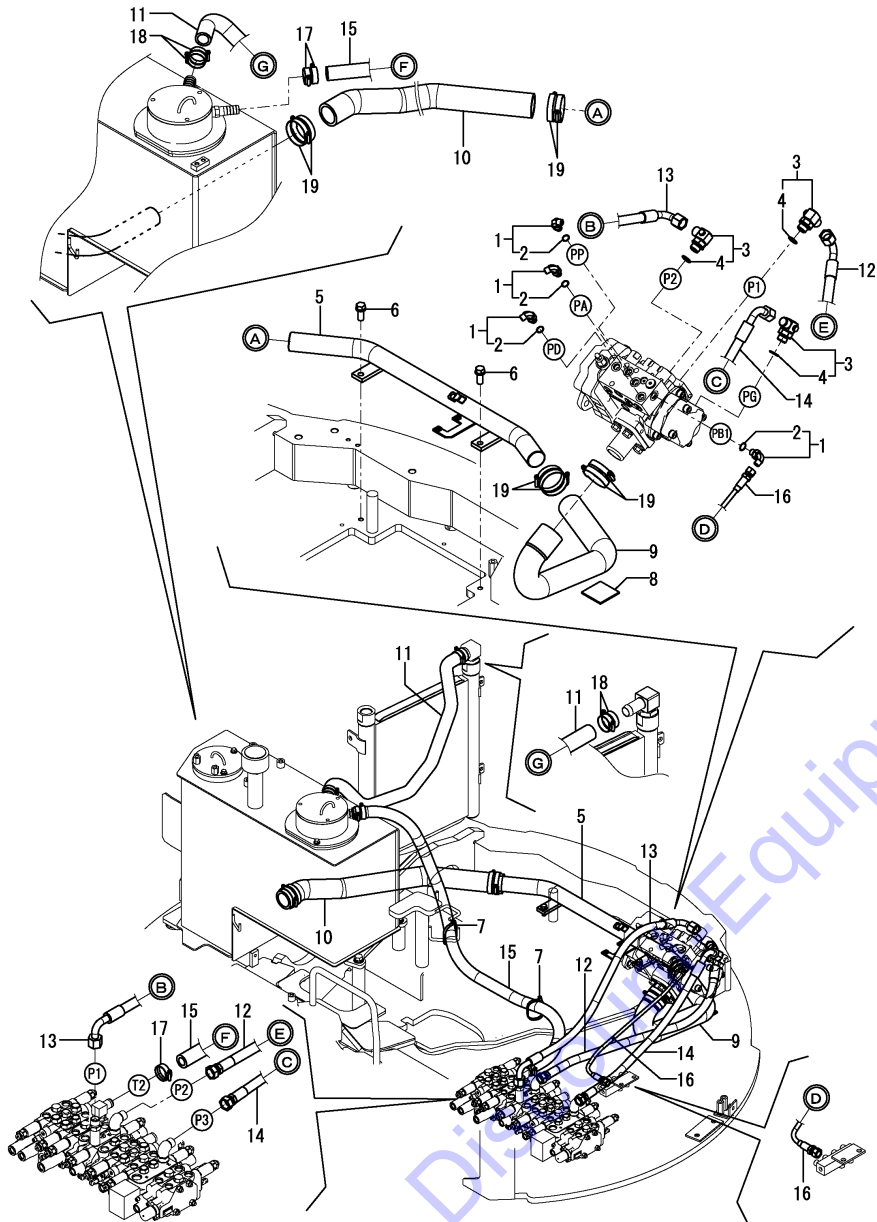


Go to Discover your parts

Fig.131. TANK - PUMP & CONTROL VALVE

(A)=VIO45-6A P(US)
 (B)=VIO45-6A C(US)
 (C)=

(D)=
 (E)=
 (F)=



No.	Lev.	Parts No.	Description	Q'ty						I	R
				(A)	(B)	(C)	(D)	(E)	(F)		
1	1	172B03-76010	ELBOW	4	4						
2	2	41851-000110	O-RING	4	4						
3	1	172A47-76151	ELBOW	3	3						
4	2	41851-000180	O-RING	3	3						
5	1	172B04-76700	TUBE ASSY, SUCTION	1	1						
6	1	26013-100252	BOLT, M10X 25	2	2						
7	1	172126-11510	BAND	2	2						
8	1	172446-14250	PLATE, RUBBER	1	1						
9	1	172B04-78100	HOSE, SUCTION A	1	1						
10	1	172B04-78110	HOSE, SUCTION B	1	1						
11	1	172B04-78120	HOSE, 25.4X35.4	1	1						
12	1	172B04-78130	HOSE, H108BC075S	1	1						
13	1	172B04-78140	HOSE, H108CC077S	1	1						
14	1	172B04-78150	HOSE, H108BC066S	1	1						
15	1	172B04-78310	HOSE, G612YY124S	1	1						
16	1	172B04-78600	HOSE, F403BB060S	1	1						
17	1	23001-035000	CLAMP, HOSE 35	3	3						
18	1	23001-041000	CLAMP, HOSE 41	4	4						
19	1	23001-060000	CLAMP, HOSE 60	8	8						

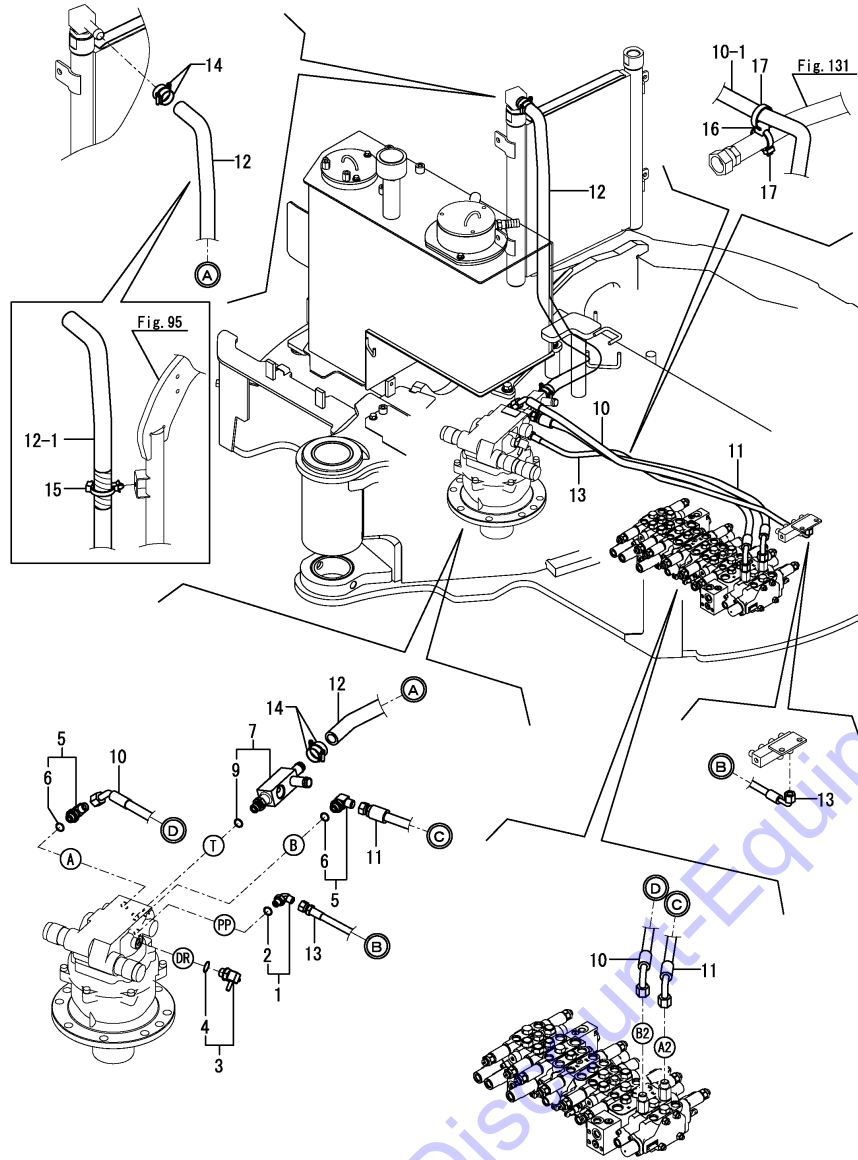
Remarks

* Standard blade specification : Fitting(control valve) is shown in Fig.133 & 134.

* Angle blade specification : Fitting(control valve) is shown in Fig.193 & 194.

N:Old $\begin{matrix} \leftarrow \text{Yes} \\ \text{No} \end{matrix}$ New, Q:Old $\begin{matrix} \leftarrow \text{No} \\ \text{Yes} \end{matrix}$ New, R:Old $\begin{matrix} \leftarrow \text{Yes} \\ \text{Yes} \end{matrix}$ New, S:Old $\begin{matrix} \leftarrow \text{No} \\ \text{No} \end{matrix}$ New, W:Add, Z:Discontinued, F:Interchangeable by set, K:Q'ty Change

Fig.132. CONTROL VALVE - TURNING MOTOR



(A)=VIO45-6A P(US)
 (B)=VIO45-6A C(US)
 (C)=

(D)=
 (E)=
 (F)=

No.	Lev.	Parts No.	Description	Q'ty						I	R
				(A)	(B)	(C)	(D)	(E)	(F)		
1	1	172B03-76010	ELBOW	1	1						
2	2	41851-000110	O-RING	1	1						
3	1	172A52-76110	NIPPLE, TEE	1	1						
4	2	24315-000140	O-RING, 1BP14.0	1	1						
5	1	172142-76181	JOINT ASSY	2	2						
6	2	24315-000140	O-RING, 1BP14.0	2	2						
7	1	172B04-76910	CONNECTOR ASSY	1	1						
9	2	41851-000140	O-RING	1	1						
10	1	172B04-78260	HOSE, F206CE092S	1	1						
10-1	1	172B04-78261	HOSE, F206CE088S	1	1					F	1
		(A=M6F546) (B=M6F546)									
11	1	172B04-78270	HOSE, F206BC084S	1	1						
12	1	172B04-78510	HOSE, 19.0X29.0	1	1						
12-1	1	172B04-78511	HOSE, 19.0X29.0	1	1						S
		(A=M60533) (B=M60533)									
13	1	172B04-78610	HOSE, F403BC088S	1	1						
14	1	23001-035000	CLAMP, HOSE 35	4	4						
15	1	194680-51670	BAND, CLIP	1	1						W
		(A=M60533) (B=M60533)									
16	1	172544-16060	CLIP, CROSS	1	1						W
		(A=M6F546) (B=M6F546)									
17	1	172122-79890	CLAMP, HOSE 350	2	2						W
		(A=M6F546) (B=M6F546)									

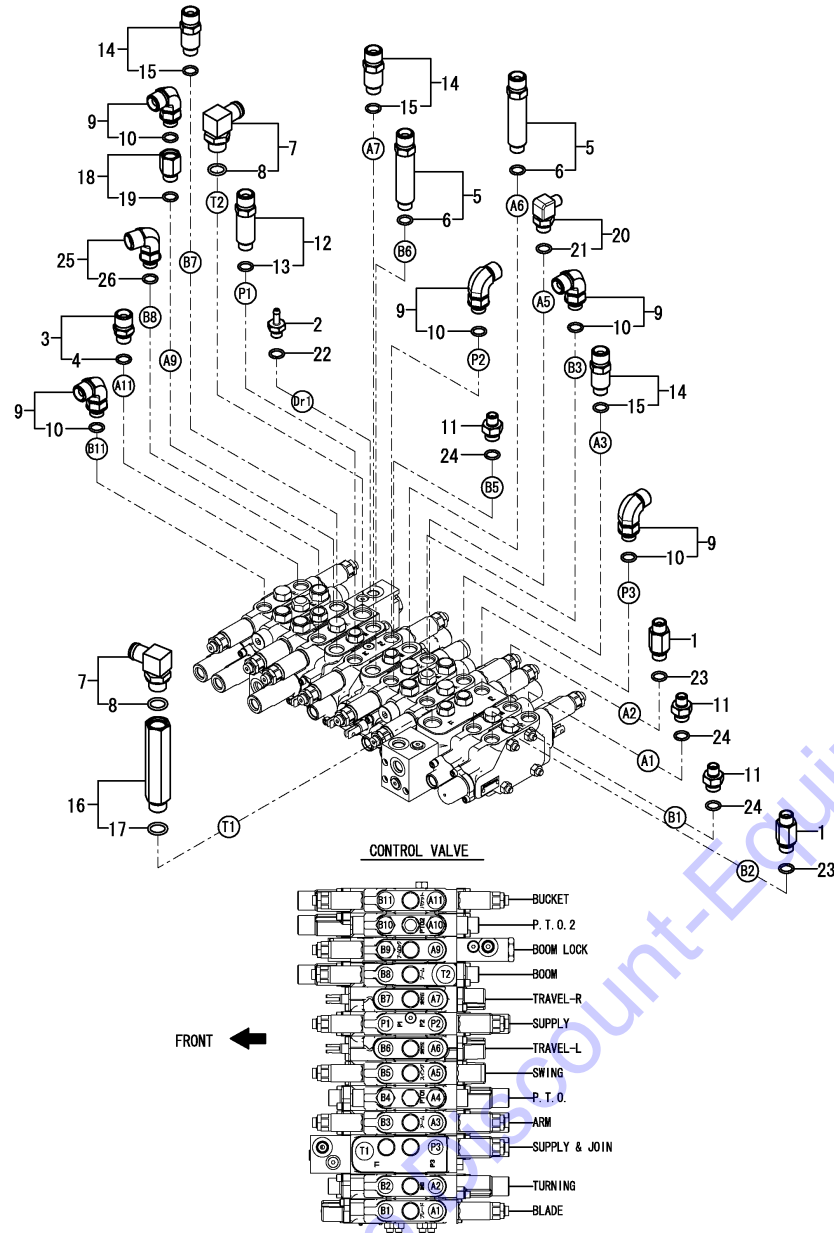
Remarks

- * Standard blade specification : Fitting(control valve) is shown in Fig.133 & 134.
- * Angle blade specification : Fitting(control valve) is shown in Fig.193 & 194.
- (1)Interchangeable by simultaneous replacement with No.16 & 17.

Fig.133. CONTROL VALVE(FITTING)(1)

(A)=VIO45-6A P(US)
 (B)=VIO45-6A C(US)
 (C)=

(D)=
 (E)=
 (F)=



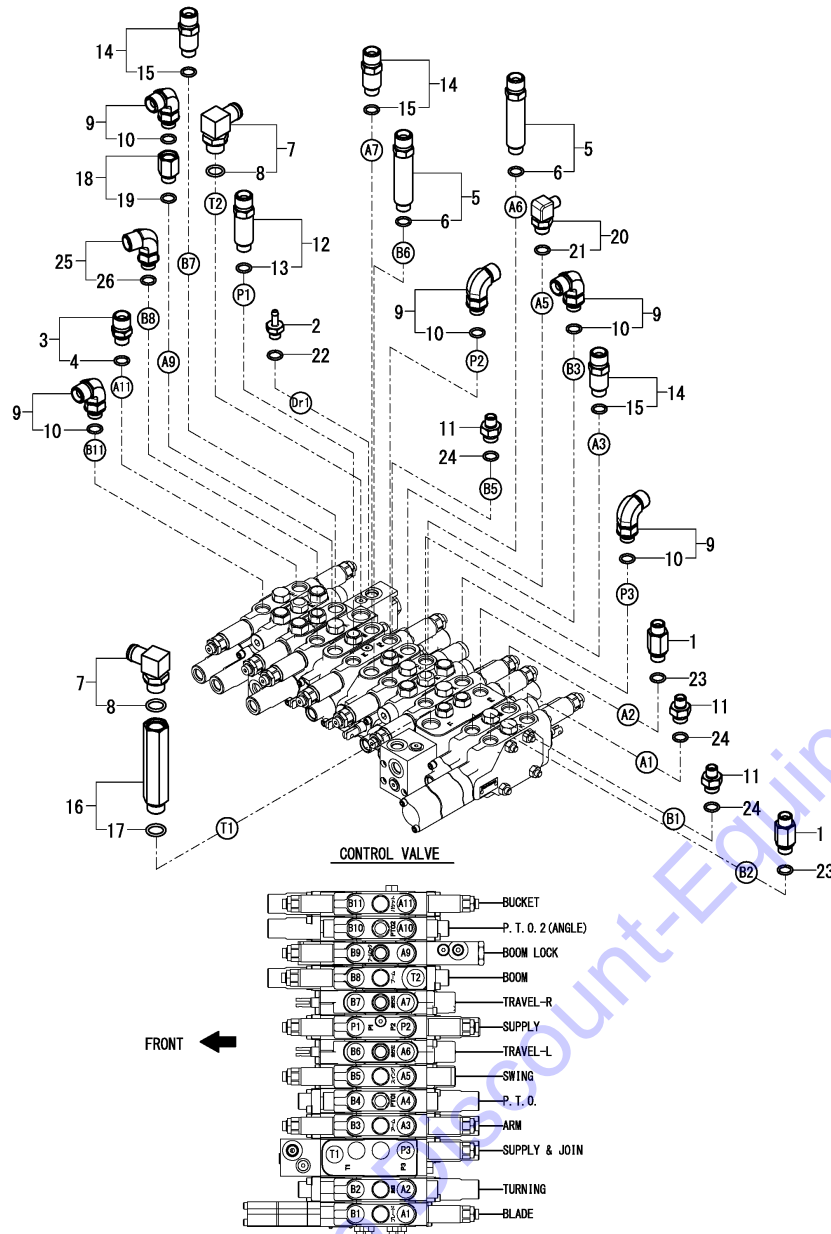
No.	Lev.	Parts No.	Description	Q'ty						I	R
				(A)	(B)	(C)	(D)	(E)	(F)		
1	1	172B03-76070	CONNECTOR, G3/8X3/8	2	2						
2	1	172B03-76080	NIPPLE, G1/4	1	1						
3	1	172B03-76110	CONNECTOR, G1/2X3/8	1	1						
4	2	41851-000140	O-RING	1	1						
5	1	172B03-76120	CONNECTOR, G1/2X3/8L	2	2						
6	2	41851-000140	O-RING	2	2						
7	1	172164-76131	ELBOW	2	2						
8	2	24315-000180	O-RING, 1BP18.0	2	2						
9	1	172B03-76130	ELBOW	5	5						
10	2	41851-000140	O-RING	5	5						
11	1	172124-76160	CONNECTOR	3	3						
12	1	172B03-76160	CONNECTOR, G1/2X3/8M	1	1						
13	2	41851-000140	O-RING	1	1						
14	1	172B03-76170	CONNECTOR, G1/2X3/8S	3	3						
15	2	41851-000140	O-RING	3	3						
16	1	172B03-76190	ADAPTER	1	1						
17	2	41851-000180	O-RING	1	1						
18	1	172B03-76630	ADAPTER	1	1						
19	2	41851-000140	O-RING	1	1						
20	1	172141-76920	CONNECTOR ASSY	1	1						
21	2	24315-000140	O-RING, 1BP14.0	1	1						
22	1	41851-000110	O-RING	1	1						
23	1	41851-000140	O-RING	2	2						
24	1	41851-000140	O-RING	3	3						
25	1	172B03-76130	ELBOW	1	1						
26	2	41851-000140	O-RING	1	1						

Remarks
 * Not applied for angle blade specification.

Fig.193. (133A)CONTROL VALVE(FITTING)(1)(ANGLE BLADE SPEC.)

(A)=VIO45-6A P(US)
 (B)=VIO45-6A C(US)
 (C)=

(D)=
 (E)=
 (F)=



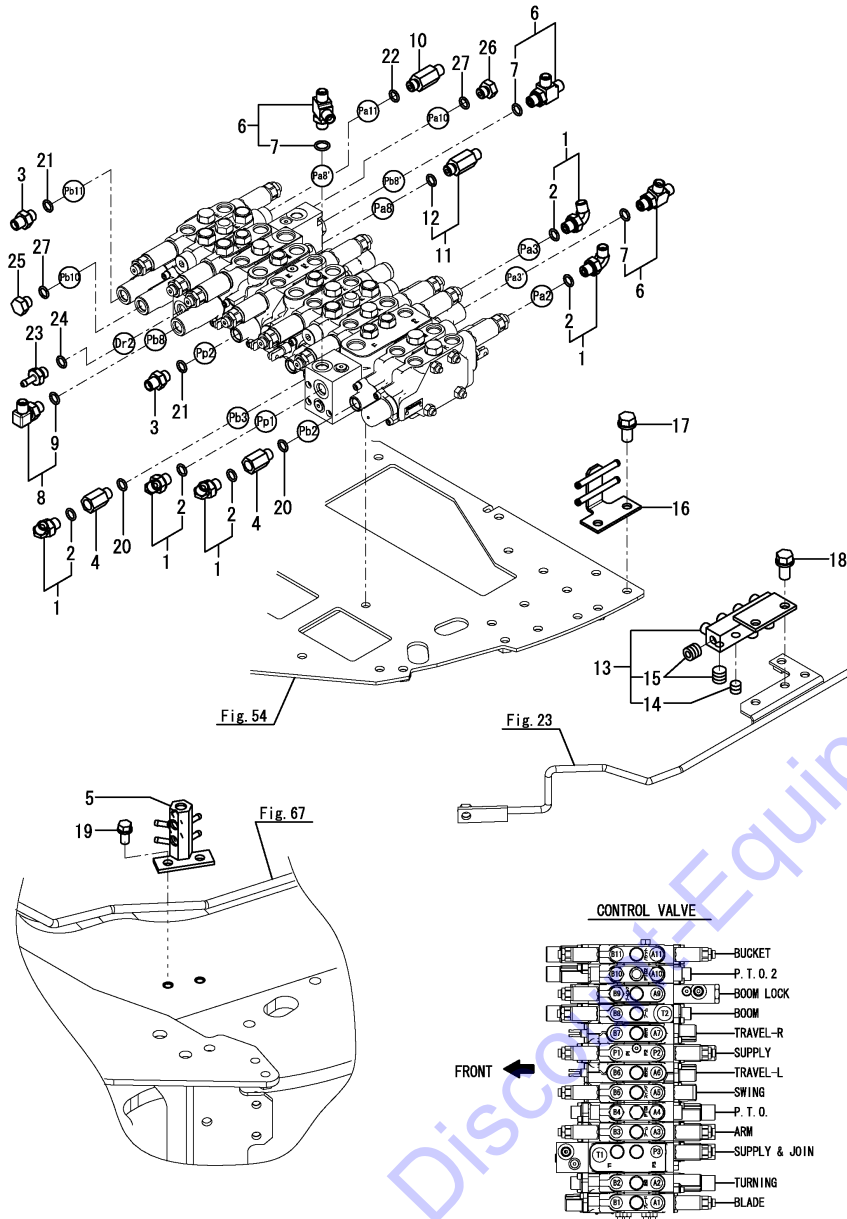
No.	Lev.	Parts No.	Description	Q'ty						I	R
				(A)	(B)	(C)	(D)	(E)	(F)		
1	1	172B03-76070	CONNECTOR, G3/8-3/8	2	2						
2	1	172B03-76080	NIPPLE, G1/4	1	1						
3	1	172B03-76110	CONNECTOR, G1/2-3/8	1	1						
4	2	41851-000140	PACKING, 14.0	1	1						
5	1	172B03-76120	CONNECTOR, L G1/2-3/8	2	2						
6	2	41851-000140	PACKING, 14.0	2	2						
7	1	172164-76131	ELBOW, 90 3/4-1/2	2	2						
8	2	24315-000180	PACKING, P 18.0	2	2						
9	1	172B03-76130	ELBOW, G1/2-3/8	5	5						
10	2	41851-000140	PACKING, 14.0	5	5						
11	1	172124-76160	CONNECTOR	3	3						
12	1	172B03-76160	CONNECTOR, M G1/2-3/8	1	1						
13	2	41851-000140	PACKING, 14.0	1	1						
14	1	172B03-76170	CONNECTOR, S G1/2-3/8	3	3						
15	2	41851-000140	PACKING, 14.0	3	3						
16	1	172B03-76190	ADAPTER, G1/2	1	1						
17	2	41851-000180	PACKING, 18.0	1	1						
18	1	172B03-76630	ADAPTER, G3/8	1	1						
19	2	41851-000140	PACKING, 14.0	1	1						
20	1	172141-76920	CONNECTOR ASSY	1	1						
21	2	24315-000140	PACKING, P 14.0	1	1						
22	1	41851-000110	PACKING, 11.0	1	1						
23	1	41851-000140	PACKING, 14.0	2	2						
24	1	41851-000140	PACKING, 14.0	3	3						
25	1	172B03-76130	ELBOW, G1/2-3/8	1	1						
26	2	41851-000140	PACKING, 14.0	1	1						

Remarks
 * Exclusive figure for angle blade specification.

Fig.134. CONTROL VALVE(FITTING)(2)

(A)=VIO45-6A P(US)
 (B)=VIO45-6A C(US)
 (C)=

(D)=
 (E)=
 (F)=



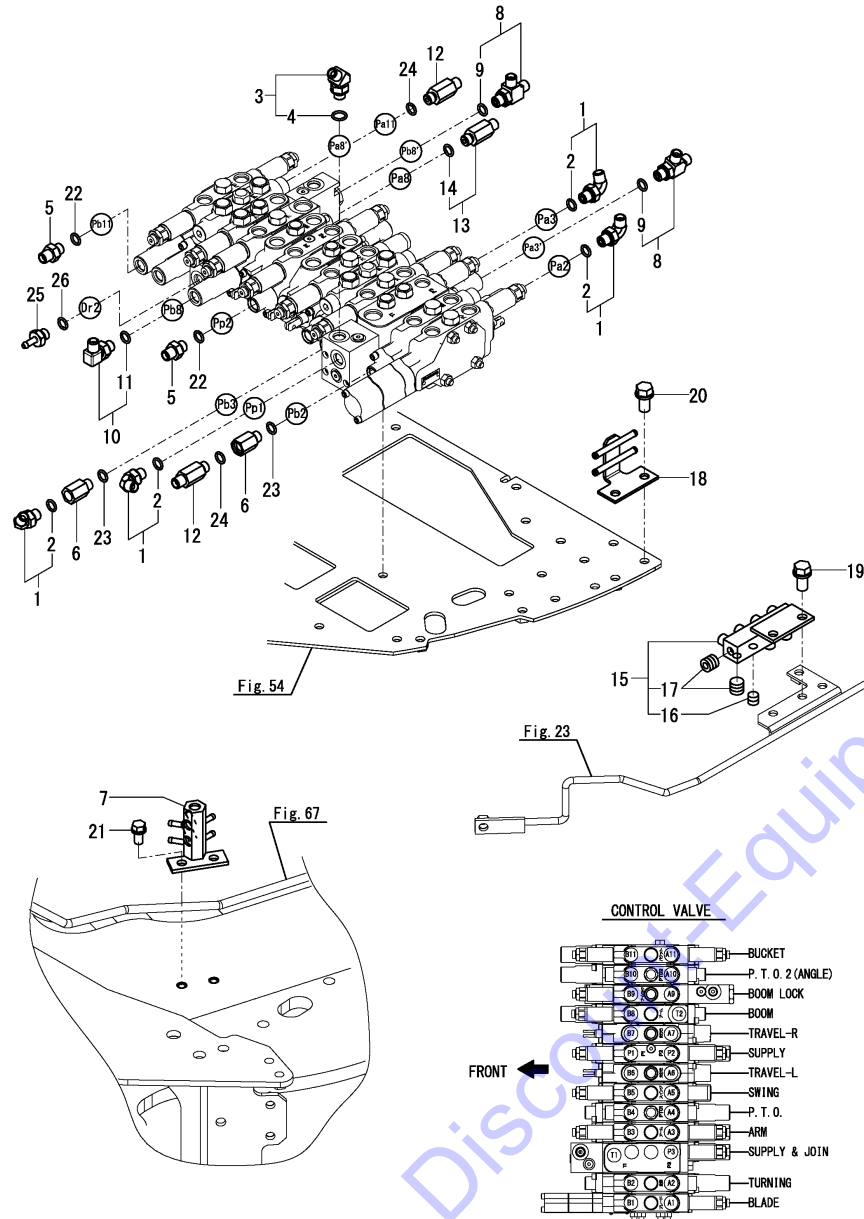
No.	Lev.	Parts No.	Description	Q'ty						I	R
				(A)	(B)	(C)	(D)	(E)	(F)		
1	1	172B03-76010	ELBOW	5	5						
2	2	41851-000110	O-RING	5	5						
3	1	172123-76121	ADAPTER	2	2						
4	1	172422-76140	CONNECTOR	2	2						
5	1	172445-76153	BLOCK, DRAIN	1	1						
6	1	172162-76181	JOINT ASSY	3	3						
7	2	41851-000110	O-RING	3	3						
8	1	172A47-76180	ELBOW	1	1						
9	2	41851-000110	O-RING	1	1						
10	1	172183-76200	CONNECTOR	1	1						
11	1	172A47-76290	CONNECTOR	1	1						
12	2	41851-000110	O-RING	1	1						
13	1	172A47-76310	BLOCK, PILOT	1	1						
14	2	23871-010000	PLUG, R01	1	1						
15	2	23871-020000	PLUG, R02	2	2						
16	1	172B03-76310	CONNECTOR ASSY	1	1						
17	1	26013-100202	BOLT, M10X 20	2	2						
18	1	26013-100202	BOLT, M10X 20	2	2						
19	1	26013-100202	BOLT, M10X 20	2	2						
20	1	41851-000110	O-RING	2	2						
21	1	41851-000110	O-RING	2	2						
22	1	41851-000110	O-RING	1	1						
23	1	172B03-76080	NIPPLE, G1/4	1	1						
24	1	41851-000110	O-RING	1	1						
25	1	172A47-76270	PLUG, PILOT	1	1						
26	1	172A47-76280	PLUG, PILOT	1	1						
27	1	41851-000110	O-RING	2	2						

Remarks
 * Not applied for angle blade specification.

Fig.194. (134A)CONTROL VALVE(FITTING)(2)(ANGLE BLADE SPEC.)

(A)=VIO45-6A P(US)
 (B)=VIO45-6A C(US)
 (C)=

(D)=
 (E)=
 (F)=



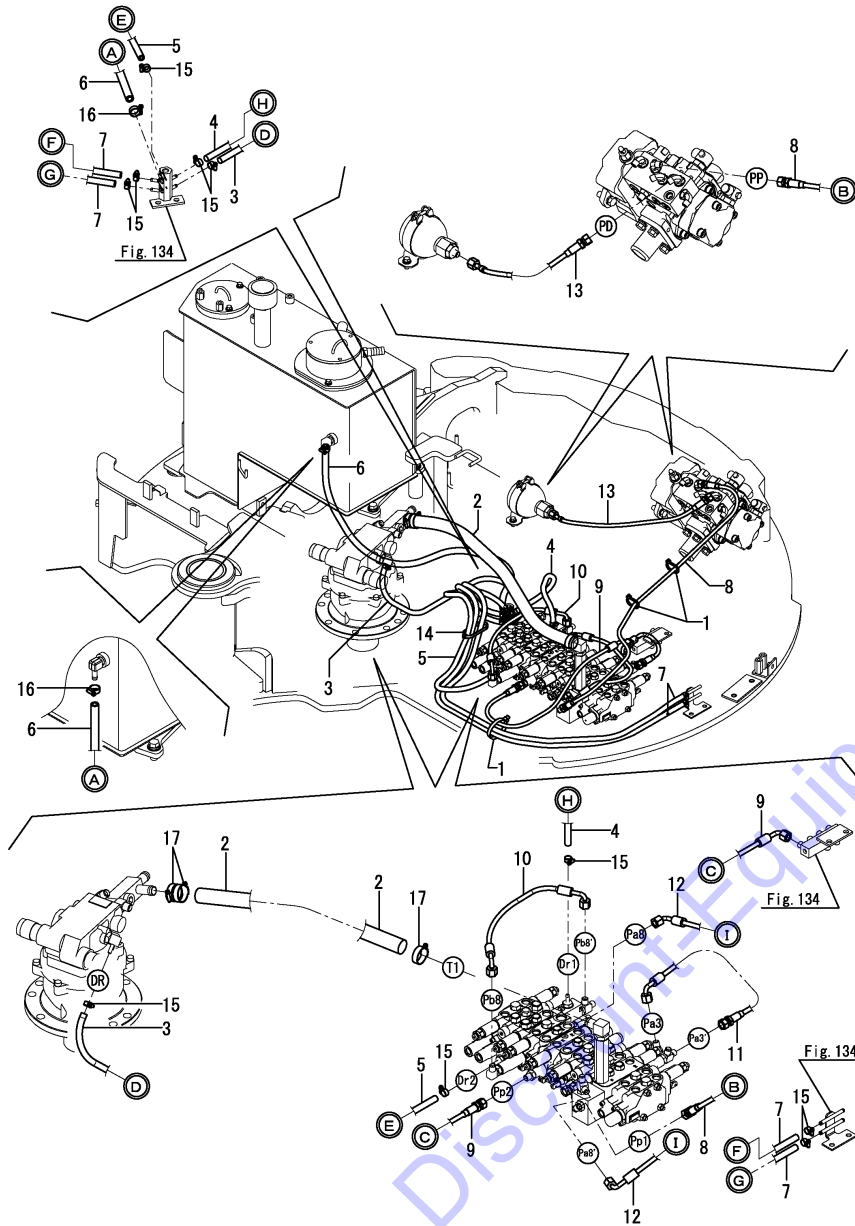
No.	Lev.	Parts No.	Description	Q'ty						I	R
				(A)	(B)	(C)	(D)	(E)	(F)		
1	1	172B03-76010	ELBOW,G1/4	4	4						
2	2	41851-000110	PACKING, 11.0	4	4						
3	1	172173-76102	CONNECTOR PF1/4-45 A	1	1						
4	2	41851-000110	PACKING, 11.0	1	1						
5	1	172123-76121	ADAPTER PF1/2	2	2						
6	1	172422-76140	ADAPTER PF1/4, M.&F.	2	2						
7	1	172445-76153	BLOCK, DRAIN	1	1						
8	1	172162-76181	JOINT 3-1/4 ASSY	2	2						
9	2	41851-000110	PACKING, 11.0	2	2						
10	1	172A47-76180	ELBOE,90G1/4-0.6	1	1						
11	2	41851-000110	PACKING, 11.0	1	1						
12	1	172183-76200	CONNECTOR 1/4-1/4	2	2						
13	1	172A47-76290	CONNECTOR G1/4L-0.6	1	1						
14	2	41851-000110	PACKING, 11.0	1	1						
15	1	172A47-76310	PILOT BLOCK	1	1						
16	2	23871-010000	PLUG, R01	1	1						
17	2	23871-020000	PLUG, R02	2	2						
18	1	172B03-76310	CONNECTOR ASSY	1	1						
19	1	26013-100202	BOLT, 10 X 20	2	2						
20	1	26013-100202	BOLT, 10 X 20	2	2						
21	1	26013-100202	BOLT, 10 X 20	2	2						
22	1	41851-000110	PACKING, 11.0	2	2						
23	1	41851-000110	PACKING, 11.0	2	2						
24	1	41851-000110	PACKING, 11.0	2	2						
25	1	172B03-76080	NIPPLE, G1/4	1	1						
26	1	41851-000110	PACKING, 11.0	1	1						

Remarks
 * Exclusive figure for angle blade specification.

Fig.135. CONTROL VALVE - RETURN & DRAIN

(A)=VIO45-6A P(US)
 (B)=VIO45-6A C(US)
 (C)=

(D)=
 (E)=
 (F)=



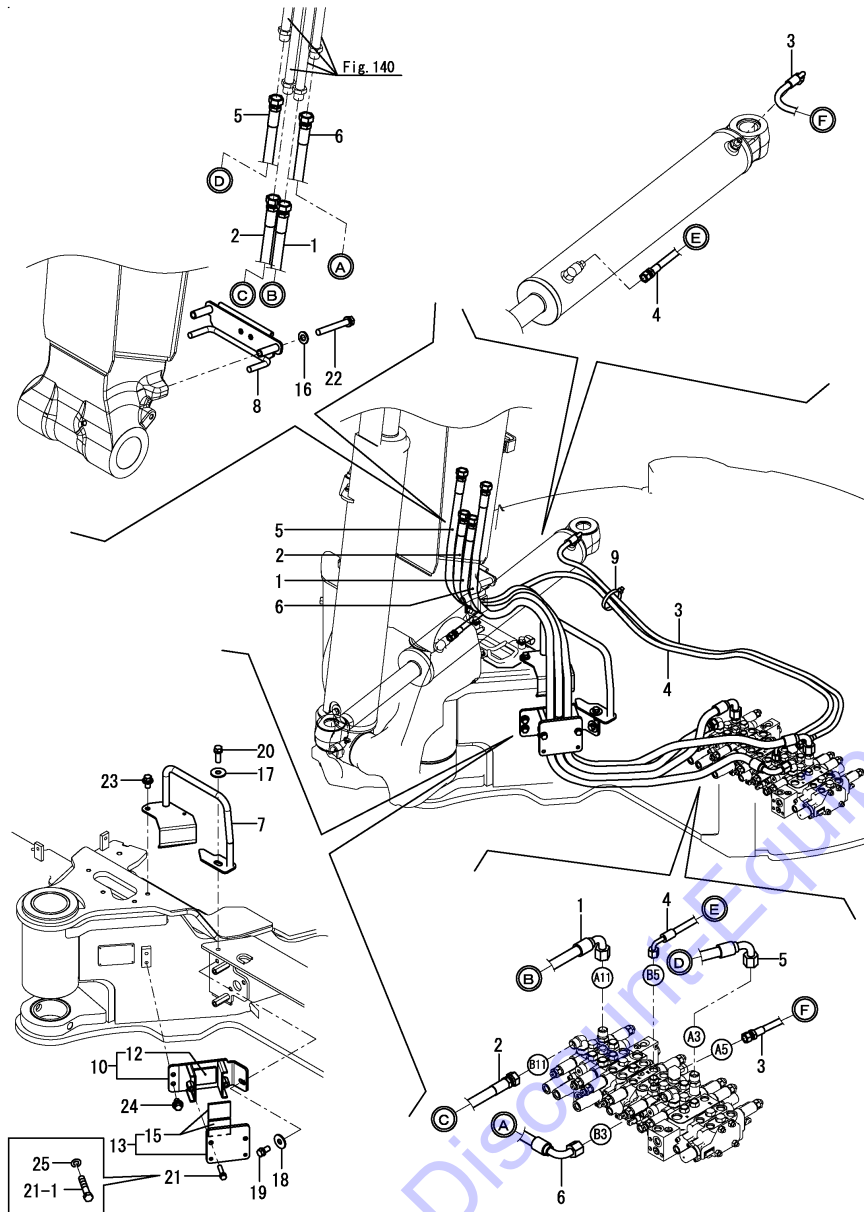
No.	Lev.	Parts No.	Description	Q'ty						I	R
				(A)	(B)	(C)	(D)	(E)	(F)		
1	1	194202-56460	BAND, 200	3	3						
2	1	172B04-78300	HOSE, G612YY077S	1	1						
3	1	172B04-78530	HOSE, G804YY057	1	1						
4	1	172B04-78540	HOSE, G804YY060S	1	1						
5	1	172B04-78550	HOSE, G804YY117S	1	1						
6	1	172B04-78560	HOSE, G806YY099S	1	1						
7	1	172B04-78570	HOSE, G804YY152S	2	2						
8	1	172B04-78620	HOSE, F403BB102S	1	1						
9	1	172B04-78640	HOSE, F403BC080S	1	1						
10	1	172B03-78650	HOSE, F403CC040S	1	1						
11	1	172B03-78701	HOSE, H603BC023S	1	1						
12	1	172B03-78720	HOSE, F403CC056	1	1						
13	1	172B04-78760	HOSE, F403BB057S	1	1						
14	1	172126-11510	BAND	1	1						
15	1	23000-013000	CLAMP, 13	10	10						
16	1	23001-019000	CLAMP, HOSE 19	2	2						
17	1	23001-035000	CLAMP, HOSE 35	3	3						

Remarks

* Standard blade specification : Fitting(control valve) is shown in Fig.133 & 134.

* Angle blade specification : Fitting(control valve) is shown in Fig.193 & 194.

Fig.136. CONTROL VALVE - BOOM BULKHEAD & SWING



(A)=VIO45-6A P(US)
 (B)=VIO45-6A C(US)
 (C)=

(D)=
 (E)=
 (F)=

No.	Lev.	Parts No.	Description	Q'ty						I	R
				(A)	(B)	(C)	(D)	(E)	(F)		
1	1	172B04-78161	HOSE, H108BC167K	1	1						
2	1	172B04-78171	HOSE, H108BB159K	1	1						
3	1	172B04-78220	HOSE, H104BC138S	1	1						
4	1	172B04-78230	HOSE, H104BC170S	1	1						
5	1	172B04-78241	HOSE, H108BC201K	1	1						
6	1	172B04-78251	HOSE, H108BC192K	1	1						
7	1	172B04-79720	GUIDE ASSY,HOSE	1	1						
8	1	172B04-79800	GUIDE ASSY, HOSE	1	1						
9	1	172126-11510	BAND	1	1						
10	1	172B04-79900	SUPPORT ASSY, HOSE	1	1						
12	2	172B03-79970	CLAMP, HOSE	1	1						
13	1	172B04-79950	PLATE ASSY, HOSE	1	1						
15	2	172B03-79970	CLAMP, HOSE	2	2						
16	1	22137-100000	WASHER, 10	2	2						
17	1	22157-100000	WASHER, 10	1	1						
18	1	22157-100000	WASHER, 10	1	1						
19	1	26013-100202	BOLT, M10X 20	1	1						
20	1	26013-100302	BOLT, M10X 30	1	1						
21	1	26013-100452	BOLT, M10X 45	2	2						
21-1	1	26116-100454	BOLT, M10X 45 PLATED	2	2						F 1
		(A=*2014.01) (B=*2014.01)									
22	1	26013-100752	BOLT, M10X 75	2	2						
23	1	26014-100202	BOLT, M10X 20	1	1						
24	1	26014-100202	BOLT, M10X 20	2	2						
25	1	22212-100000	SPRING WASHER 10	2	2						W
		(A=*2014.01) (B=*2014.01)									

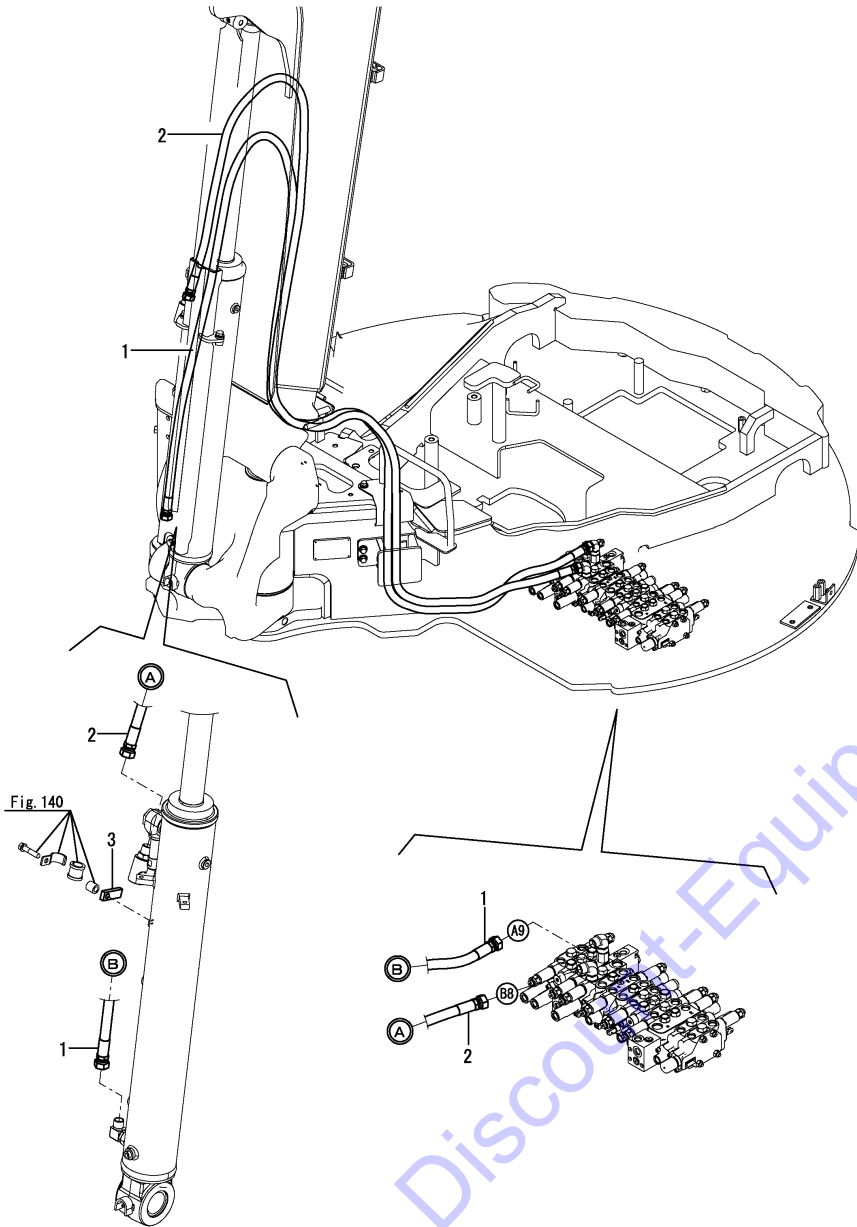
Remarks

- * Standard blade specification : Fitting(control valve) is shown in Fig.133 & 134.
- * Angle blade specification : Fitting(control valve) is shown in Fig. 193 & 194.
- (1)Interchangeable by simultaneous replacement with No.25.

Fig.137. CONTROL VALVE - BOOM CYLINDER

(A)=V1O45-6A P(US)
 (B)=V1O45-6A C(US)
 (C)=

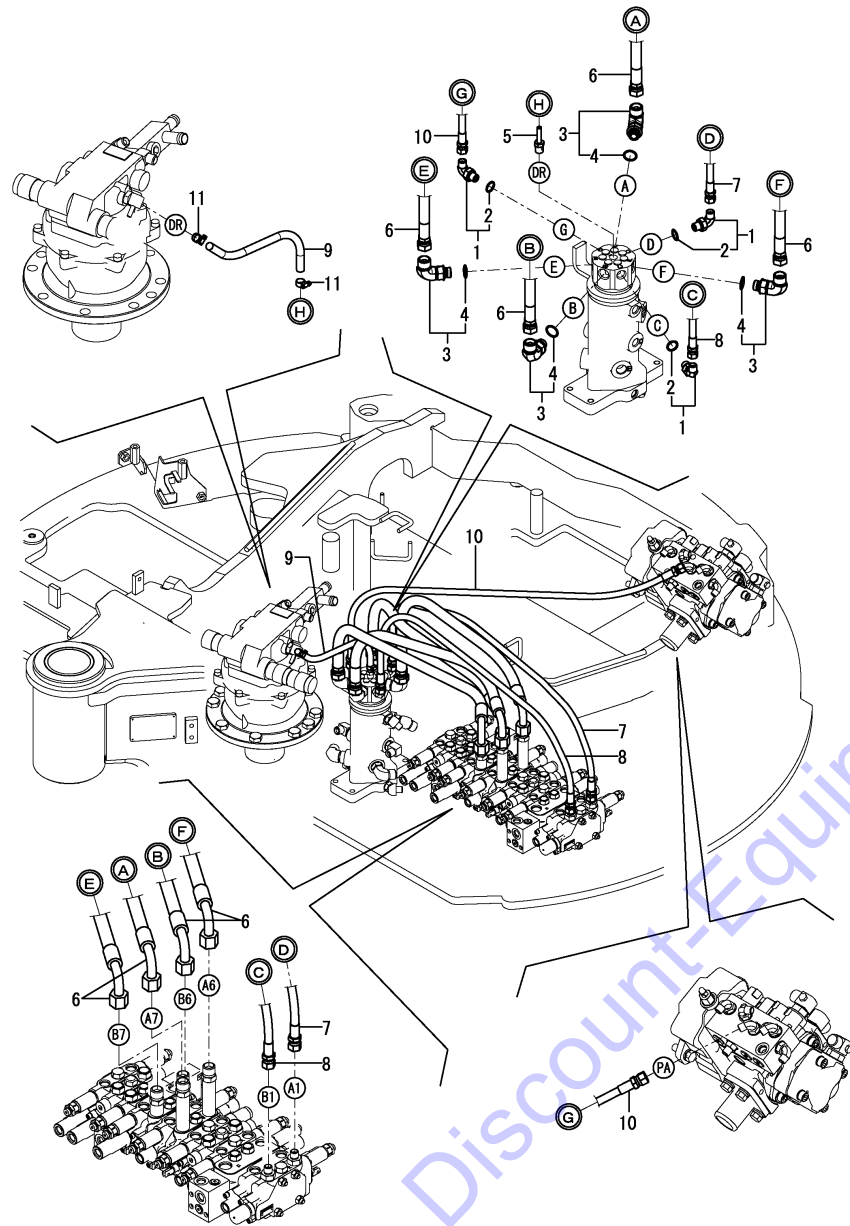
(D)=
 (E)=
 (F)=



No.	Lev.	Parts No.	Description	Q'ty						I	R
				(A)	(B)	(C)	(D)	(E)	(F)		
1	1	172B04-78181	HOSE, H108BB355K	1	1						
2	1	172B04-78191	HOSE, H108BB301K	1	1						
3	1	172B03-79880	PLATE,HOSE CLAMP	1	1						

Remarks
 * Standard blade specification : Fitting(control valve) is shown in Fig.133 & 134.
 * Angle blade specification : Fitting(control valve) is shown in Fig.193 & 194.

Fig.138. CONTROL VALVE - SWIVEL JOINT



(A)=VIO45-6A P(US)
 (B)=VIO45-6A C(US)
 (C)=

(D)=
 (E)=
 (F)=

No.	Lev.	Parts No.	Description	Q'ty						I	R
				(A)	(B)	(C)	(D)	(E)	(F)		
1	1	172B03-76010	ELBOW	3	3						
2	2	41851-000110	O-RING	3	3						
3	1	172B03-76130	ELBOW	4	4						
4	2	41851-000140	O-RING	4	4						
5	1	172141-76220	NIPPLE, 02	1	1						
6	1	172B04-78200	HOSE, H108BC069S	4	4						
7	1	172B04-78280	HOSE, F204BB102S	1	1						
8	1	172B04-78290	HOSE, F204BB097S	1	1						
9	1	172B04-78520	HOSE, G804YY037	1	1						
10	1	172B04-78630	HOSE, F403BB089S	1	1						
11	1	23000-013000	CLAMP, 13	2	2						

Remarks

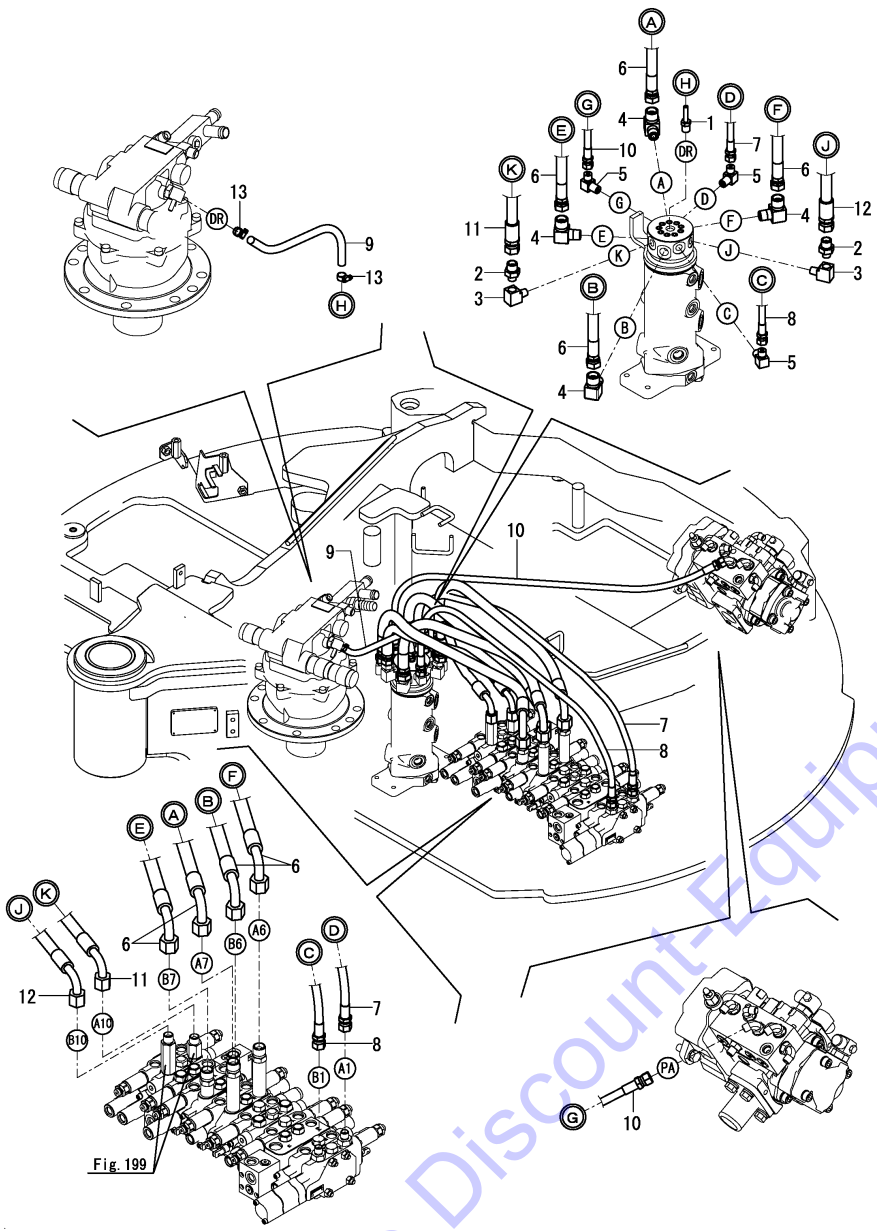
- * Fitting(control valve) is shown in Fig.133 & 134.
- * Not applied for angle blade specification.

Fig.195. (138A)CONTROL VALVE - SWIVEL JOINT(ANGLE BLADE SPEC.)

(A)=VIO45-6A P(US)
 (B)=VIO45-6A C(US)
 (C)=

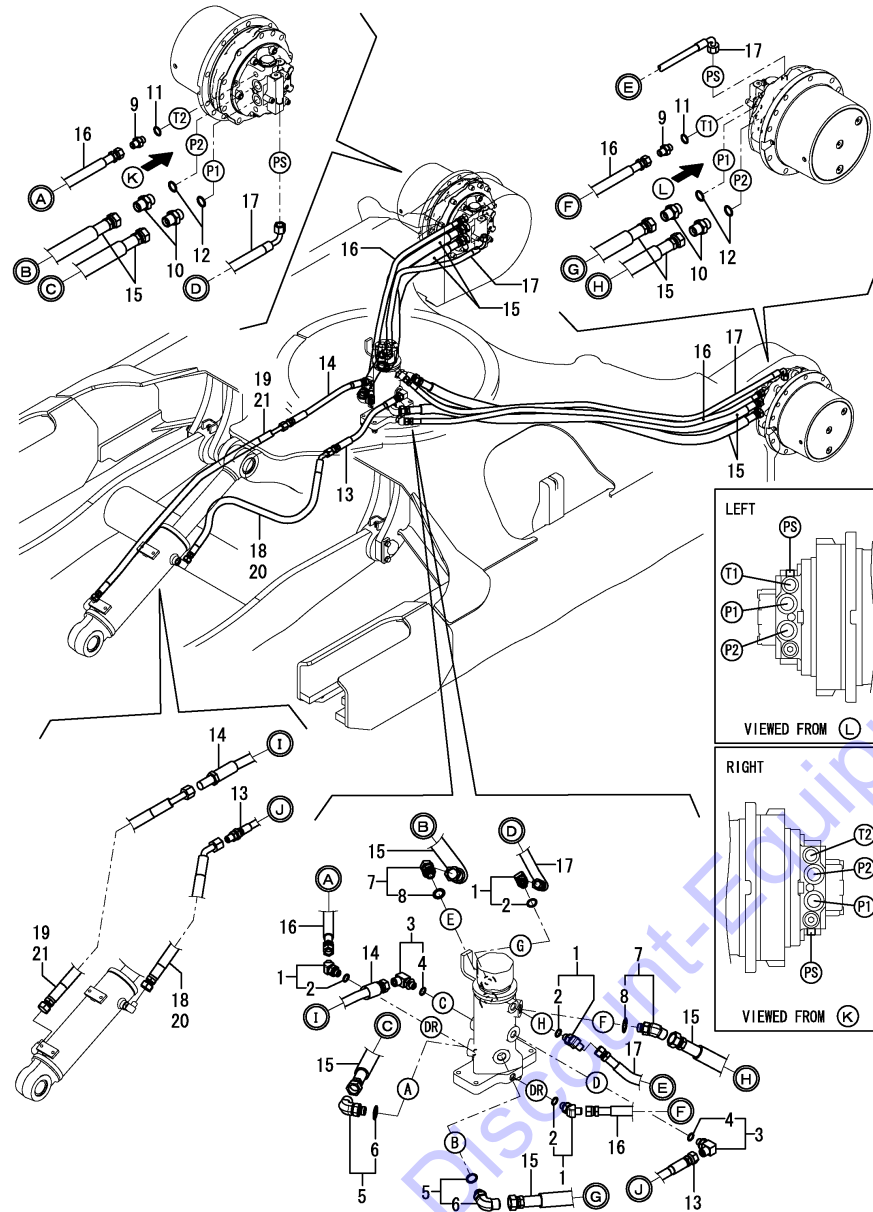
(D)=
 (E)=
 (F)=

No.	Lev.	Parts No.	Description	Q'ty						I	R
				(A)	(B)	(C)	(D)	(E)	(F)		
1	1	172141-76220	NIPPLE, 02	1	1						
2	1	172312-76240	NIPPLE, 1/4-3/8	2	2						
3	1	172312-76250	ADAPTER PT1/4, M.&F.	2	2						
4	1	172141-76990	ELBOW, 90 1/2-3/8	4	4						
5	1	23393-020000	JOINT, 90 RGI 1/4	3	3						
6	1	172B04-78200	HOSE, H108BC069S	4	4						
7	1	172B04-78280	HOSE, F204BB102S	1	1						
8	1	172B04-78290	HOSE, F204BB097S	1	1						
9	1	172B04-78520	HOSE, G804YY037	1	1						
10	1	172B04-78630	HOSE, F403BB089S	1	1						
11	1	172B05-79060	HOSE, F206BC055S	1	1						
12	1	172B05-79070	HOSE, F206BC053S	1	1						
13	1	23000-013000	CLAMP, HOSE 13	2	2						



Remarks
 * Exclusive figure for angle blade specification.
 * Fitting(control valve) is shown in Fig.193 & 194.

Fig.139. TRAVEL FRAME



(A)=VIO45-6A P(US)
 (B)=VIO45-6A C(US)
 (C)=

(D)=
 (E)=
 (F)=

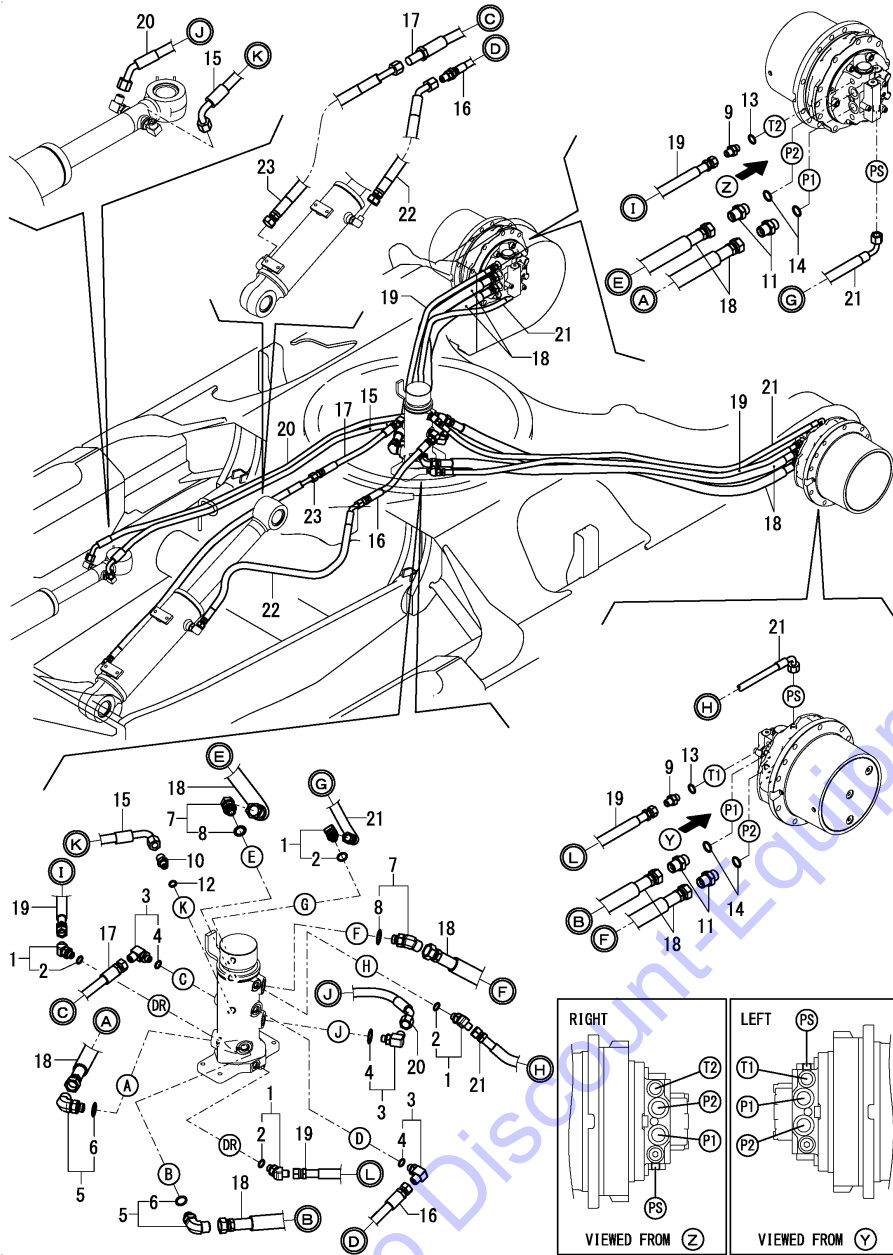
No.	Lev.	Parts No.	Description	Q'ty						I	R
				(A)	(B)	(C)	(D)	(E)	(F)		
1	1	172173-76102	CONNECTOR ASSY	4	4						
2	2	41851-000110	O-RING	4	4						
3	1	172173-76121	CONNECTOR ASSY	2	2						
4	2	24315-000110	O-RING, 1BP11.0	2	2						
5	1	172B03-76130	ELBOW	2	2						
6	2	41851-000140	O-RING	2	2						
7	1	172B03-76150	ELBOW	2	2						
8	2	41851-000140	O-RING	2	2						
9	1	172124-76160	CONNECTOR	2	2						
10	1	172112-77361	CONNECTOR	4	4						
11	1	41851-000140	O-RING	2	2						
12	1	41851-000180	O-RING	4	4						
13	1	172B04-78320	HOSE, H106BX037	1	1						
14	1	172B04-78350	HOSE, H206BX035	1	1						
15	1	172B04-78360	HOSE, H108BB126W	4	4						
16	1	172B04-78380	HOSE, F204BB123W	2	2						
17	1	172B04-78390	HOSE, F204BC140W	2	2						
18	1	172B04-78330	HOSE, F206BE077W								1
19	1	172B04-78340	HOSE, H106BE105W								1
20	1	172B05-78330	HOSE, F206BE094W	1	1						1
21	1	172B05-78340	HOSE, H106BE120W	1	1						1

Remarks

(1)Quick coupler specification.

* Not applied for angle blade specification.

Fig.196. (139A)TRAVEL FRAME(ANGLE BLADE SPEC.)



(A)=VIO45-6A P(US)
 (B)=VIO45-6A C(US)
 (C)=

(D)=
 (E)=
 (F)=

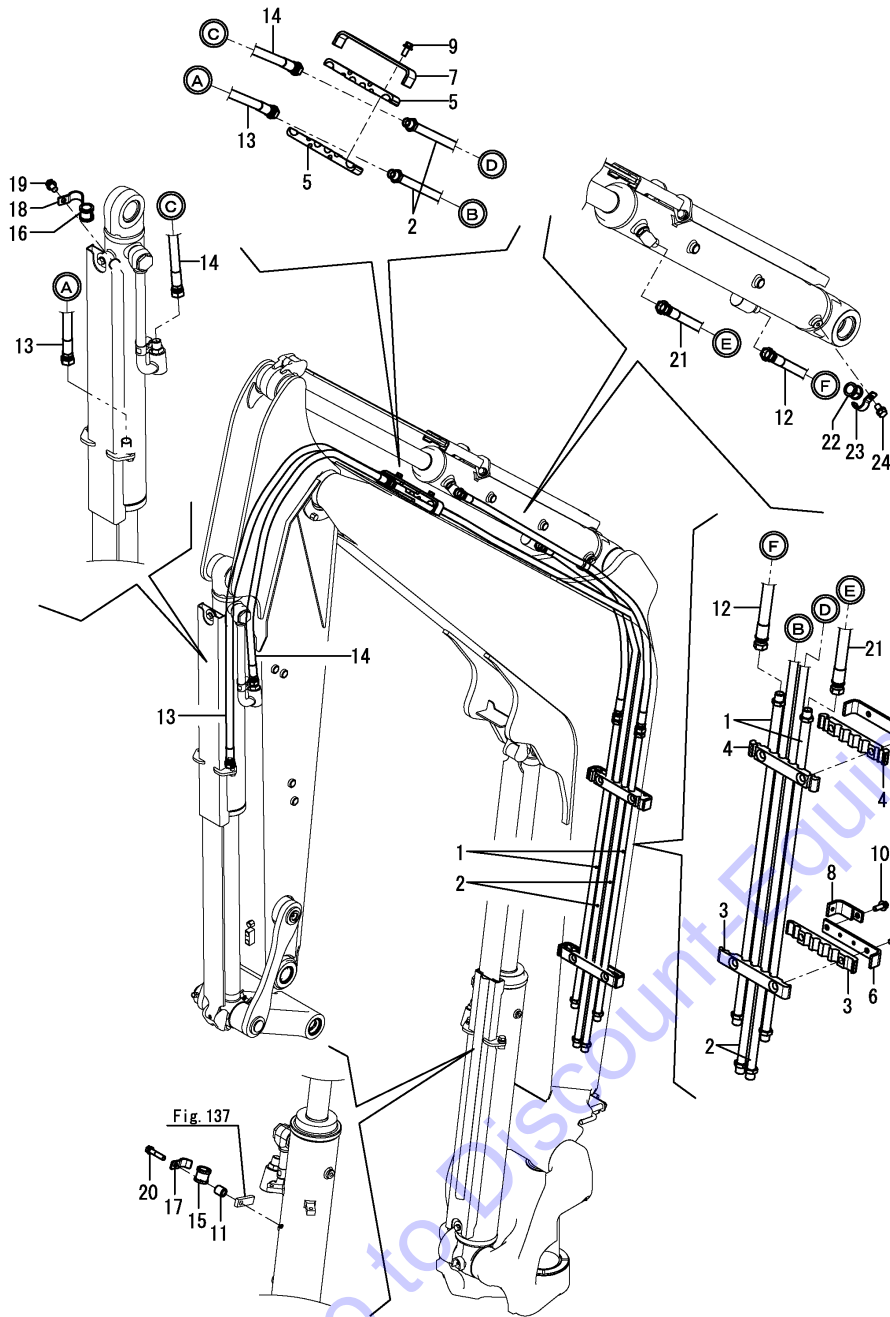
No.	Lev.	Parts No.	Description	Q'ty						I	R
				(A)	(B)	(C)	(D)	(E)	(F)		
1	1	172173-76102	CONNECTOR PF1/4-45 A	4	4						
2	2	41851-000110	O-RING	4	4						
3	1	172173-76121	CONNECTOR 1/4-3/8 AS	3	3						
4	2	24315-000110	PACKING, P 11.0	3	3						
5	1	172B03-76130	ELBOW,G1/2-3/8	2	2						
6	2	41851-000140	PACKING, 14.0	2	2						
7	1	172B03-76150	ELBOW,45 G1/2-3/8	2	2						
8	2	41851-000140	PACKING, 14.0	2	2						
9	1	172124-76160	CONNECTOR	2	2						
10	1	172638-76190	CONNECTOR PF1/4-PF3/	1	1						
11	1	172112-77361	CONNECTOR, PF1/2-1/2	4	4						
12	1	41851-000110	PACKING, 11.0	1	1						
13	1	41851-000140	PACKING, 14.0	2	2						
14	1	41851-000180	PACKING, 18.0	4	4						
15	1	172A79-78220	HOSE F206CC116W	1	1						
16	1	172B04-78320	HOSE, H106BX037	1	1						
17	1	172B04-78350	HOSE, H206BX035	1	1						
18	1	172B04-78360	HOSE, H108BB126W	4	4						
19	1	172B04-78380	HOSE, F204BB123W	2	2						
20	1	172B05-79090	HOSE, F206EE142W	1	1						
21	1	172B05-79100	HOSE, F204CE150W	2	2						
22	1	172B05-78790	HOSE, F206BE084W	1	1						
23	1	172B05-78800	HOSE, H106BE112W	1	1						

Remarks
 * Exclusive figure for angle blade specification.

Fig.140. ARM CYLINDER & BUCKET CYLINDER

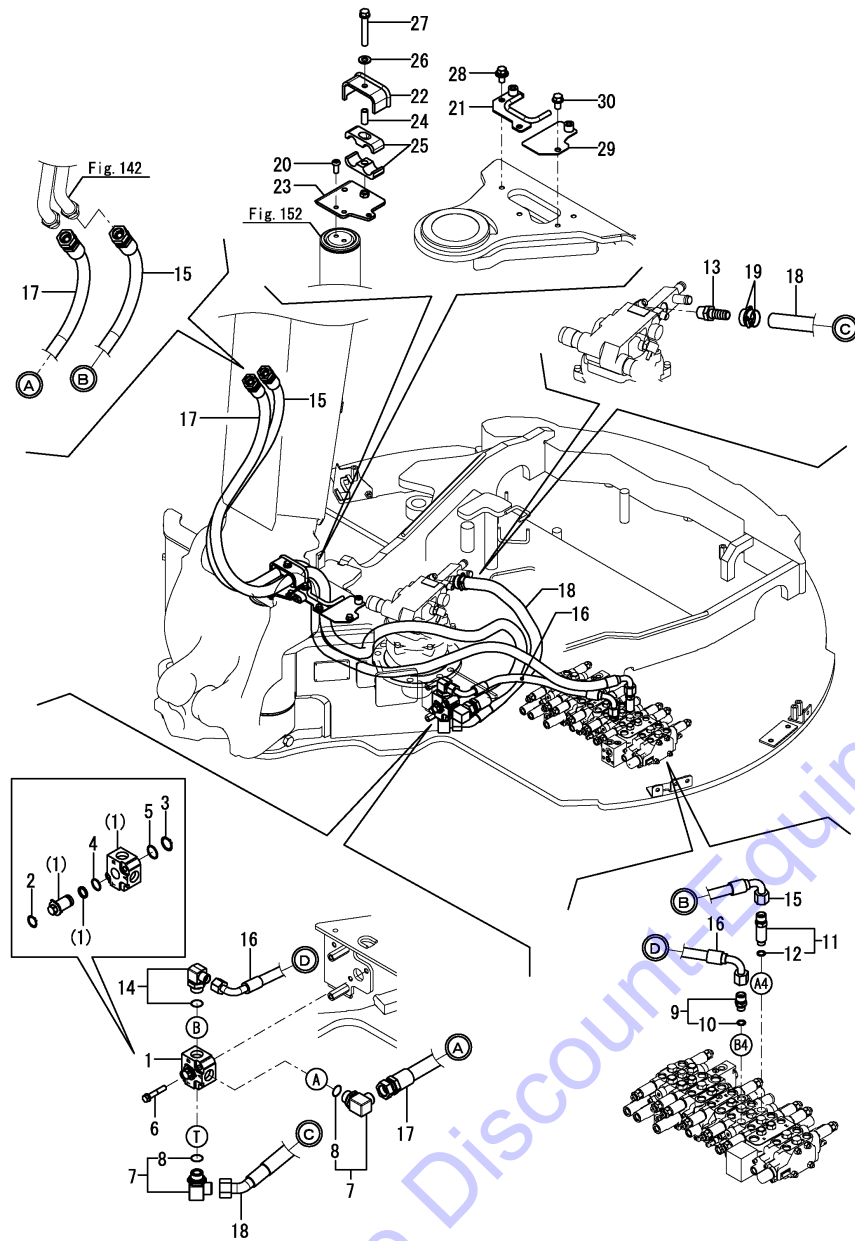
(A)=VIO45-6A P(US)
 (B)=VIO45-6A C(US)
 (C)=

(D)=
 (E)=
 (F)=



No.	Lev.	Parts No.	Description	Q'ty						I	R
				(A)	(B)	(C)	(D)	(E)	(F)		
1	1	172B04-76220	TUBE ASSY,ARM	2	2						
2	1	172B04-76250	TUBE ASSY,BUCKET	2	2						
3	1	172B03-76400	RUBBER, CLAMP	2	2						
4	1	172B03-76410	RUBBER, CLAMP	2	2						
5	1	172B04-76420	RUBBER,CLAMP C	2	2						
6	1	172B03-76440	CLAMP, TUBE	1	1						
7	1	172B03-76450	CLAMP, TUBE	2	2						
8	1	172B03-76470	CLAMP ASSY, BOOM	1	1						
9	1	26014-100252	BOLT, M10X 25	5	5						
10	1	26014-100302	BOLT, M10X 30	1	1						
11	1	172A47-76460	COLLAR	1	1						
12	1	172B04-78400	HOSE, H108BB078K	1	1						
13	1	172B04-78420	HOSE, H108BB138K	1	1						
14	1	172B04-78430	HOSE, H108BB103K	1	1						
15	1	172B03-79861	RUBBER,HOSE CLAMP	1	1						
16	1	172B03-79861	RUBBER,HOSE CLAMP	1	1						
17	1	172B03-79871	CLAMP,HOSE	1	1						
18	1	172B03-79871	CLAMP,HOSE	1	1						
19	1	26013-100162	BOLT, M10X 16	1	1						
20	1	26013-100452	BOLT, M10X 45	1	1						
21	1	172B04-78410	HOSE, H108BB143K	1	1						
22	1	172B03-79861	RUBBER,HOSE CLAMP	1	1						
23	1	172B03-79871	CLAMP,HOSE	1	1						
24	1	26013-100162	BOLT, M10X 16	1	1						

Fig.141. P.T.O.(CONTROL VALVE - BOOM)



(A)=VIO45-6A P(US)
 (B)=VIO45-6A C(US)
 (C)=

(D)=
 (E)=
 (F)=

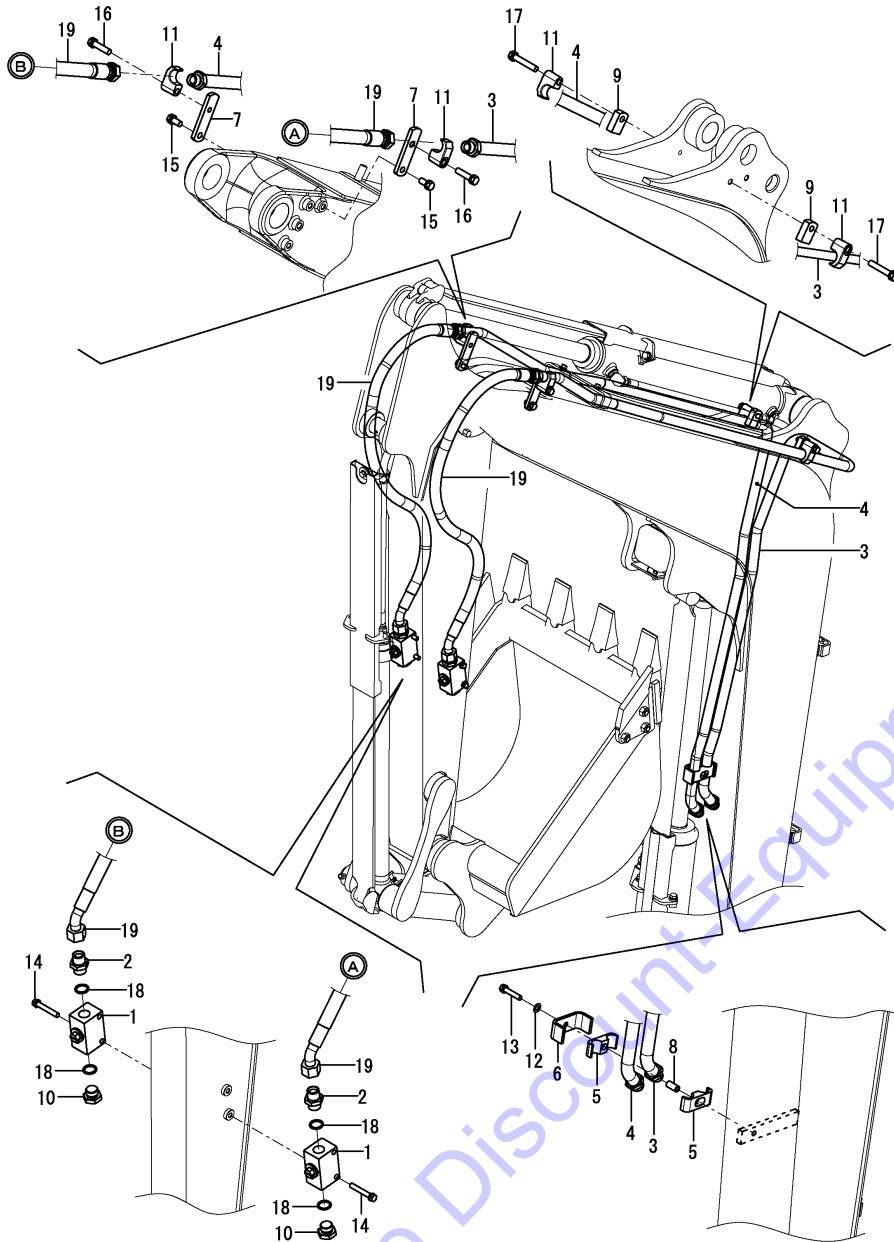
No.	Lev.	Parts No.	Description	Q'ty						I	R
				(A)	(B)	(C)	(D)	(E)	(F)		
1	1	172A47-74121	VALVE ASSY, SELECOR	1	1						
2	2	22242-000210	RING, 21	1	1						
3	2	22242-000250	RING, 25	1	1						
4	2	24315-000210	O-RING, 1BP21.0	1	1						
5	2	24315-000250	O-RING, 1BP25.0	1	1						
6	1	26013-100552	BOLT, M10X 55	2	2						
7	1	172141-76090	CONNECTOR, PF3/4L	2	2						
8	2	24315-000240	O-RING, 1BP24.0	2	2						
9	1	172B03-76110	CONNECTOR, G1/2X3/8	1	1						
10	2	41851-000140	O-RING	1	1						
11	1	172B03-76160	CONNECTOR, G1/2X3/8M	1	1						
12	2	41851-000140	O-RING	1	1						
13	1	172165-76220	NIPPLE	1	1						
14	1	172534-76760	ELBOW	1	1						
15	1	172B04-79110	HOSE, G110BC237K	1	1						
16	1	172B04-79120	HOSE, H108CC053S	1	1						
17	1	172B04-79130	HOSE, G112BB269K	1	1						
18	1	172B04-79140	HOSE, G612EY069S	1	1						
19	1	23001-035000	CLAMP, HOSE 35	2	2						
20	1	172458-46720	BOLT	2	2						
21	1	172B04-77600	GUIDE ASSY,PTO	1	1						
22	1	172B04-77650	CLAMP ASSY,HOSE PTO	1	1						
23	1	172B04-77850	CLAMP ASSY, PTO	1	1						
24	1	172455-79140	COLLAR, CLAMP	1	1						
25	1	172455-79180	RUBBER, CLAMP	2	2						
26	1	22137-100000	WASHER, 10	1	1						
27	1	26013-100652	BOLT, M10X 65	1	1						
28	1	26014-100202	BOLT, M10X 20	2	2						
29	1	172B04-77750	COVER ASSY,NO Q K								1
30	1	26106-100162	BOLT, M10X 16 PLATED								1

Remarks

(1)Not applied for quick coupler specification.

N:Old $\begin{matrix} \text{Yes} \\ \text{No} \end{matrix}$ New, Q:Old $\begin{matrix} \text{No} \\ \text{Yes} \end{matrix}$ New, R:Old $\begin{matrix} \text{Yes} \\ \text{No} \end{matrix}$ New, S:Old $\begin{matrix} \text{No} \\ \text{Yes} \end{matrix}$ New, W:Add, Z:Discontinued, F:Interchangeable by set, K:Q'ty Change

Fig.142. P.T.O.(BOOM - ARM END)



(A)=VIO45-6A P(US)
 (B)=VIO45-6A C(US)
 (C)=

(D)=
 (E)=
 (F)=

No.	Lev.	Parts No.	Description	Q'ty						I	R
				(A)	(B)	(C)	(D)	(E)	(F)		
1	1	172B04-74900	VALVE ASSY,STOP G3/4	2	2						
2	1	172142-76240	JOINT	2	2						
3	1	172B04-76350	TUBE ASSY,PTO L	1	1						
4	1	172B04-76370	TUBE ASSY,PTO R	1	1						
5	1	172A69-76410	CLAMP, RUBBER	2	2						
6	1	172A69-76440-Y	CLAMP, TUBE	1	1						
7	1	172B03-76511	STAY, CLAMP PTO	2	2						
8	1	172187-76520	COLLAR, CLAMP	1	1						
9	1	172187-76690-Y	PLATE	2	2						
10	1	172162-76850	PLUG PF3/4	2	2						1
11	1	172142-76940-Y	CLAMP	4	4						
12	1	22137-100000	WASHER, 10	1	1						
13	1	26013-100502	BOLT, M10X 50	1	1						
14	1	26013-100652	BOLT, M10X 65	4	4						
15	1	26013-120252	BOLT, M12X 25	2	2						
16	1	26013-120502	BOLT, M12X 50	2	2						
16-1	1	26014-120552	BOLT, M12X 55	2	2						N
(A=*2016.05.) (B=*2016.05.)											
17	1	26013-120702	BOLT, M12X 70	2	2						
17-1	1	26014-120752	BOLT, 12 X 75	2	2						N
(A=*2016.05.) (B=*2016.05.)											
18	1	41851-000240	O-RING	4	4						
19	1	172B04-79170	HOSE, H112BE122W	2	2						

Remarks

(1)Refer to Fig.166 when installing a device with the cap diameter R(PT)1/2.

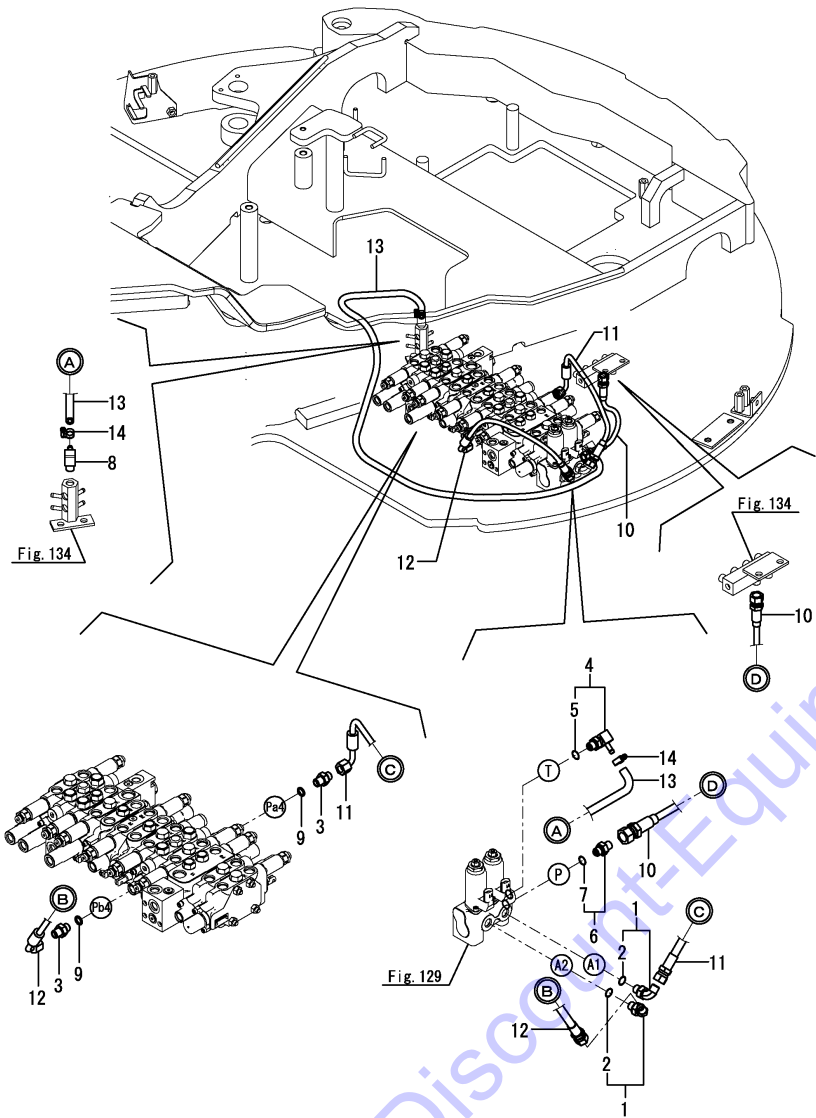
N:Old $\begin{matrix} \text{Yes} \\ \text{No} \end{matrix}$ New, Q:Old $\begin{matrix} \text{No} \\ \text{Yes} \end{matrix}$ New, R:Old $\begin{matrix} \text{Yes} \\ \text{No} \end{matrix}$ New, S:Old $\begin{matrix} \text{No} \\ \text{Yes} \end{matrix}$ New, W:Add, Z:Discontinued, F:Interchangeable by set, K:Q'ty Change

Fig.143. P.T.O.(SOLENOID VALVE)

(A)=VIO45-6A P(US)
 (B)=VIO45-6A C(US)
 (C)=

(D)=
 (E)=
 (F)=

No.	Lev.	Parts No.	Description	Q'ty						I	R
				(A)	(B)	(C)	(D)	(E)	(F)		
1	1	172B03-76010	ELBOW	2	2						
2	2	41851-000110	O-RING	2	2						
3	1	172123-76121	ADAPTER	2	2						
4	1	172458-76150	NIPPLE, ELBOW	1	1						
5	2	24315-000110	O-RING, 1BP11.0	1	1						
6	1	172B03-76180	CONNECTOR, FILT G1/4	1	1						
7	2	41851-000110	O-RING	1	1						
8	1	172186-76390	NIPPLE, ELBOW	1	1						
9	1	41851-000110	O-RING	2	2						
10	1	172B03-79211	HOSE, H603BB029S	1	1						
11	1	172B03-79230	HOSE, F403BC041S	1	1						
12	1	172B03-79240	HOSE, F403BC047S	1	1						
13	1	172B04-79250	HOSE, G804YY155S	1	1						
14	1	23000-013000	CLAMP, 13	2	2						



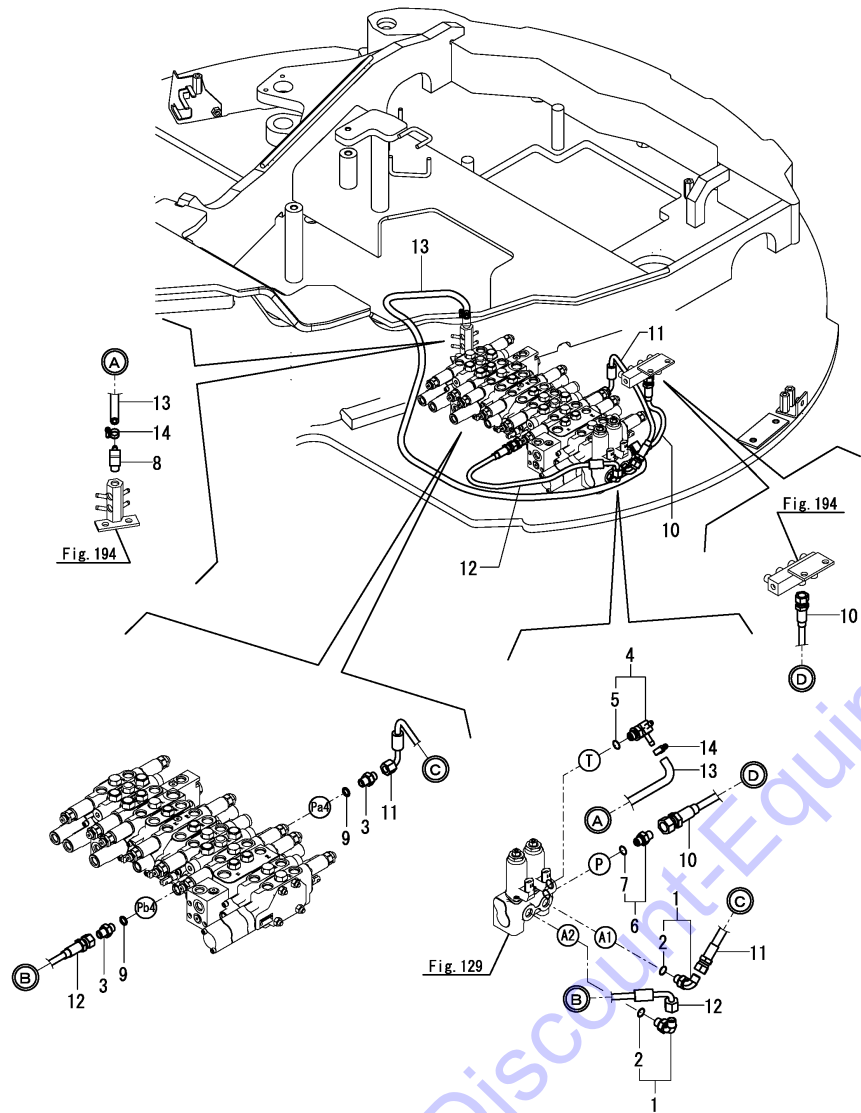
Remarks
 * Not applied for angle blade specification.

Fig.197. (143A)P.T.O.(SOLENOID VALVE)(ANGLE BLADE SPEC.)

(A)=VIO45-6A P(US)
 (B)=VIO45-6A C(US)
 (C)=

(D)=
 (E)=
 (F)=

No.	Lev.	Parts No.	Description	Q'ty						I	R
				(A)	(B)	(C)	(D)	(E)	(F)		
1	1	172B03-76010	ELBOW,G1/4	2							
2	2	41851-000110	PACKING, 11.0	2							
3	1	172123-76121	ADAPTER PF1/2	2							
4	1	172A79-76140	T-NIPPLE G1/4	1							
5	2	41851-000110	PACKING, 11.0	1							
6	1	172B03-76180	CONNECTOR,FILT G1/4	1							
7	2	41851-000110	PACKING, 11.0	1							
8	1	172186-76390	NIPPLE, ELBOW 1/4	1							
9	1	41851-000110	PACKING, 11.0	2							
10	1	172B03-79211	HOSE, H603BB029S	1							
11	1	172B03-79230	HOSE, F403BC041S	1							
12	1	172B03-79241	HOSE, F403BC050S	1							
13	1	172B04-79250	HOSE, G804YY155S	1							
14	1	23000-013000	CLAMP, HOSE 13	2							

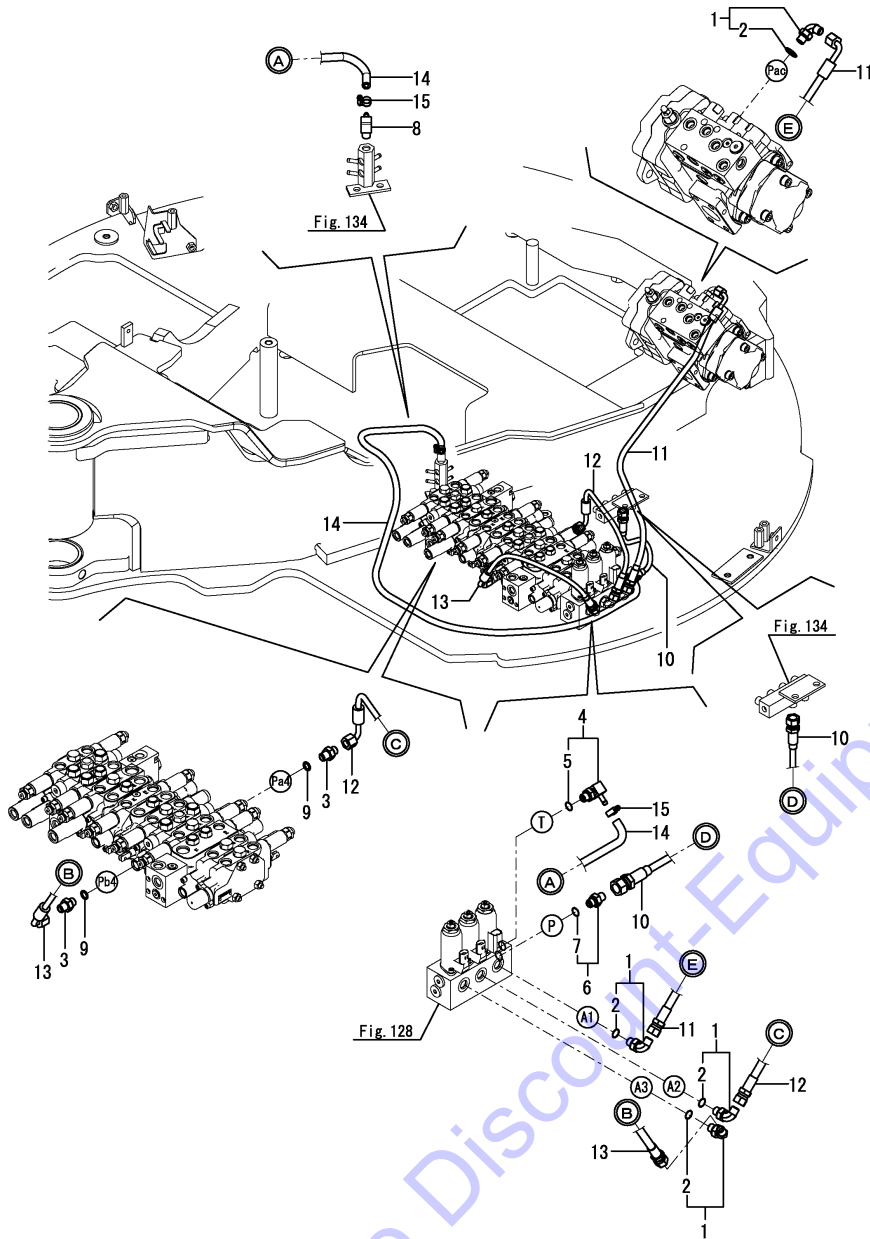


Remarks
 * Exclusive figure for angle blade specification.

Fig.144. P.T.O.(SOLENOID VALVE & E.S.S.)

(A)=VIO45-6A P(US)
 (B)=VIO45-6A C(US)
 (C)=

(D)=
 (E)=
 (F)=



No.	Lev.	Parts No.	Description	Q'ty						I	R
				(A)	(B)	(C)	(D)	(E)	(F)		
1	1	172B03-76010	ELBOW		4						
2	2	41851-000110	O-RING		4						
3	1	172123-76121	ADAPTER		2						
4	1	172458-76150	NIPPLE, ELBOW		1						
5	2	24315-000110	O-RING, 1BP11.0		1						
6	1	172B03-76180	CONNECTOR, FILT G1/4		1						
7	2	41851-000110	O-RING		1						
8	1	172186-76390	NIPPLE, ELBOW		1						
9	1	41851-000110	O-RING		2						
10	1	172B03-79211	HOSE, H603BB029S		1						
11	1	172B04-79220	HOSE, F403BC081S		1						
12	1	172B03-79230	HOSE, F403BC041S		1						
13	1	172B03-79240	HOSE, F403BC047S		1						
14	1	172B04-79250	HOSE, G804YY155S		1						
15	1	23000-013000	CLAMP, 13		2						

Remarks

* Not applied for angle blade specification.

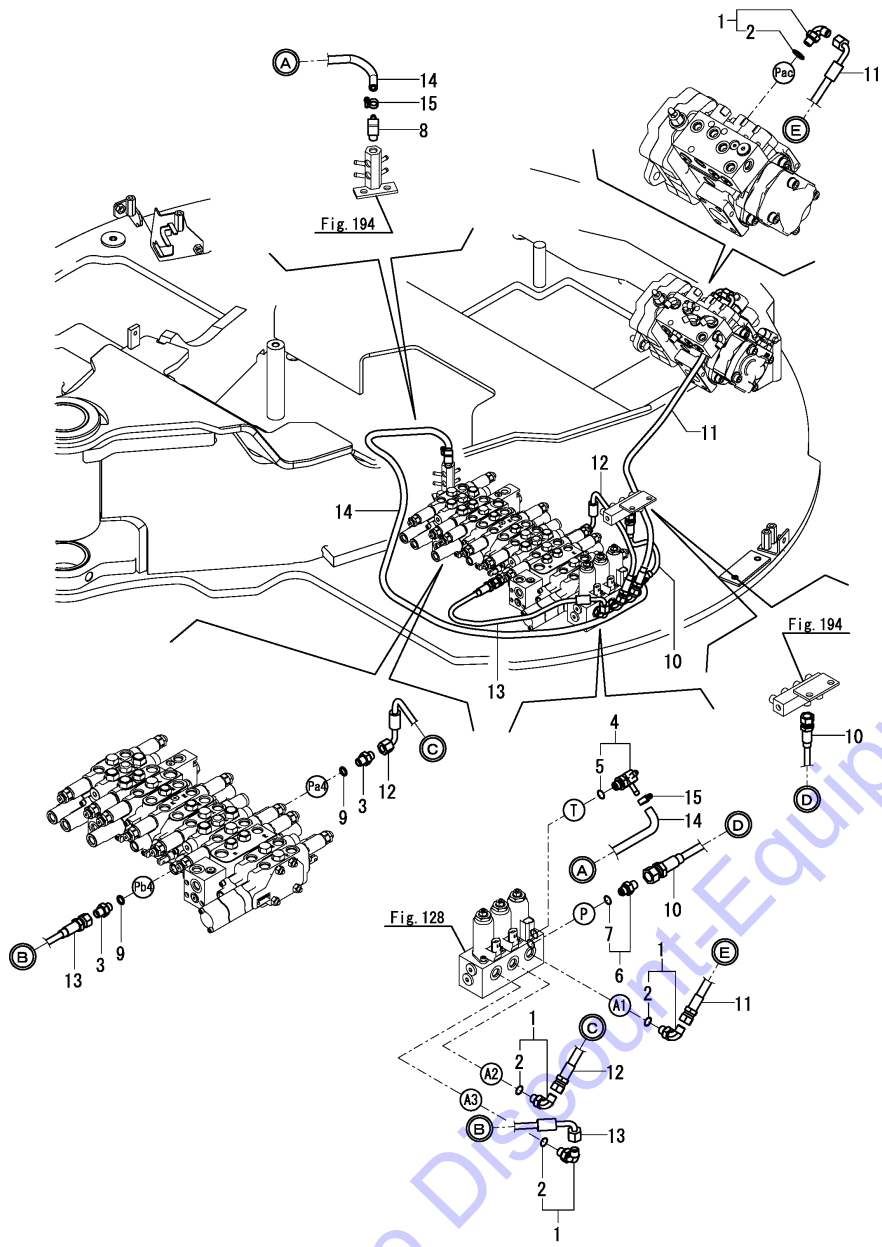
N:Old $\begin{matrix} \text{Yes} \\ \text{No} \end{matrix}$ New, Q:Old $\begin{matrix} \text{No} \\ \text{Yes} \end{matrix}$ New, R:Old $\begin{matrix} \text{Yes} \\ \text{No} \end{matrix}$ New, S:Old $\begin{matrix} \text{No} \\ \text{Yes} \end{matrix}$ New, W:Add, Z:Discontinued, F:Interchangeable by set, K:Q'ty Change

Fig.198. (144A)P.T.O.(SOLENOID VALVE & E.S.S.)(ANGLE BLADE SPEC.)

(A)=VIO45-6A P(US)
 (B)=VIO45-6A C(US)
 (C)=

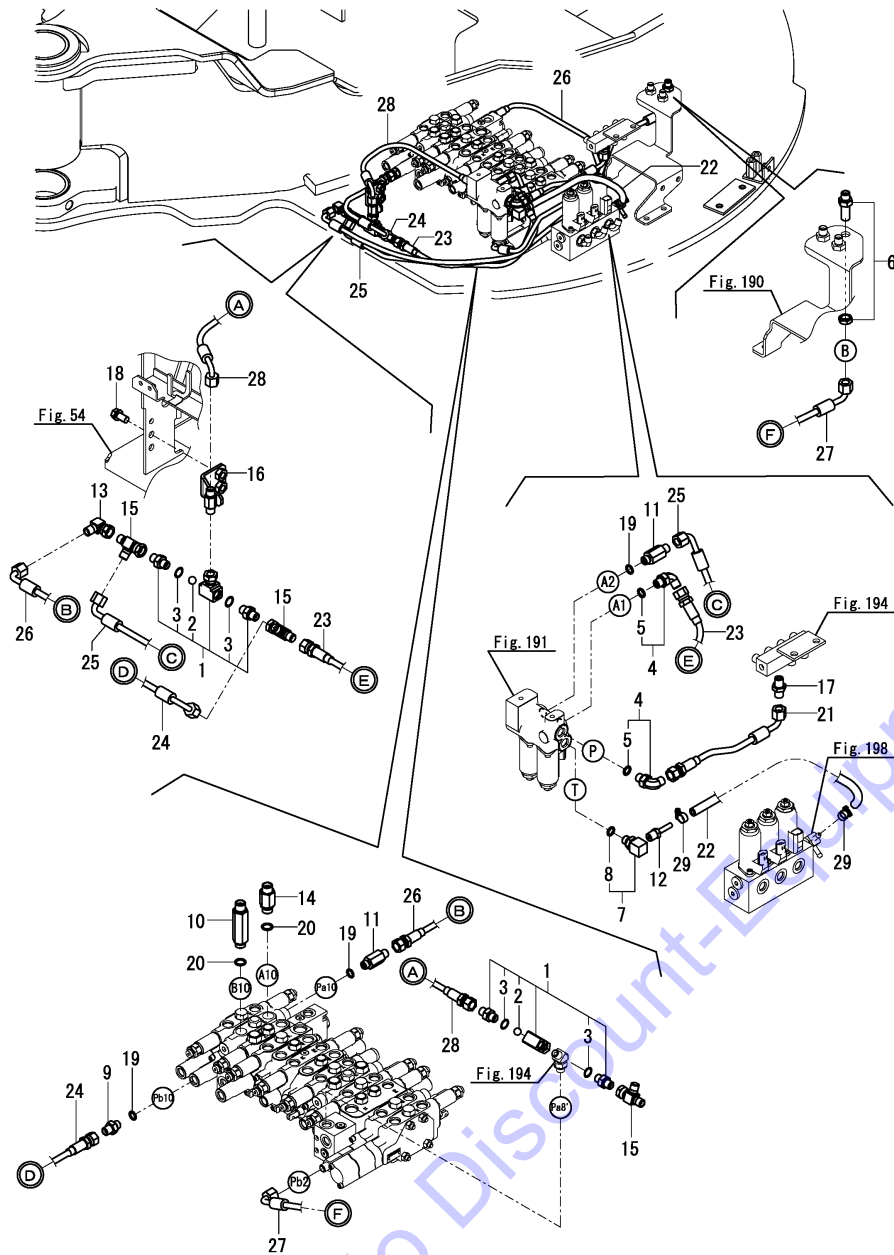
(D)=
 (E)=
 (F)=

No.	Lev.	Parts No.	Description	Q'ty						I	R
				(A)	(B)	(C)	(D)	(E)	(F)		
1	1	172B03-76010	ELBOW,G1/4		4						
2	2	41851-000110	PACKING, 11.0		4						
3	1	172123-76121	ADAPTER PF1/2		2						
4	1	172A79-76140	T-NIPPLE G1/4		1						
5	2	41851-000110	PACKING, 11.0		1						
6	1	172B03-76180	CONNECTOR,FILT G1/4		1						
7	2	41851-000110	PACKING, 11.0		1						
8	1	172186-76390	NIPPLE, ELBOW 1/4		1						
9	1	41851-000110	PACKING, 11.0		2						
10	1	172B03-79211	HOSE, H603BB029S		1						
11	1	172B04-79221	HOSE, F403BC081S		1						
12	1	172B03-79230	HOSE, F403BC041S		1						
13	1	172B03-79241	HOSE, F403BC050S		1						
14	1	172B04-79250	HOSE, G804YY155S		1						
15	1	23000-013000	CLAMP, HOSE 13		2						



Remarks
 * Exclusive figure for angle blade specification.

Fig.199. (144B)P.T.O.2(ANGLE BLADE)(ANGLE BLADE SPEC.)



(A)=VIO45-6A P(US)
 (B)=VIO45-6A C(US)
 (C)=

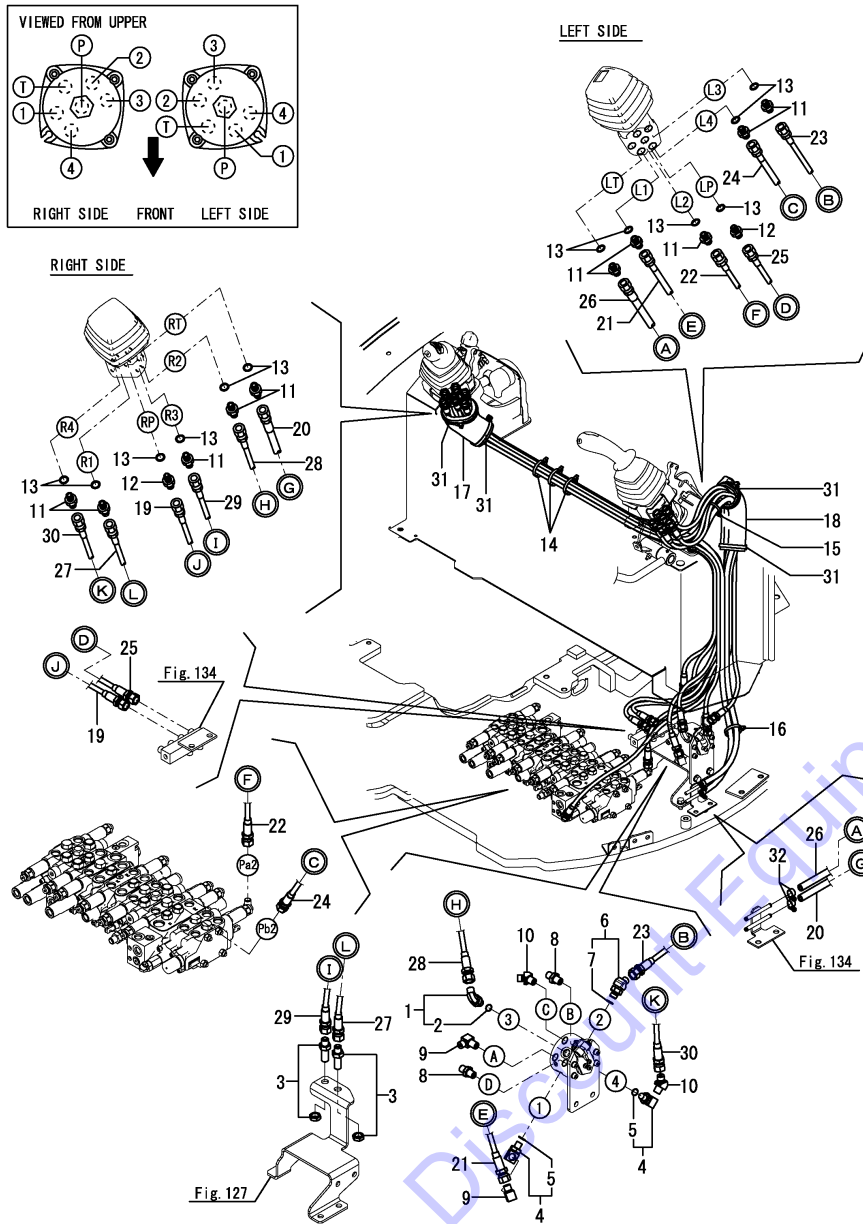
(D)=
 (E)=
 (F)=

No.	Lev.	Parts No.	Description	Q'ty						I	R
				(A)	(B)	(C)	(D)	(E)	(F)		
1	1	172A86-74500	VALVE,SHUTTLE	2	2						
2	2	24190-140001	BALL, 7/16	2	2						
3	2	41851-000110	PACKING, 11.0	4	4						
4	1	172B03-76010	ELBOW,G1/4	2	2						
5	2	41851-000110	PACKING, 11.0	2	2						
6	1	172151-76050	JOINT	1	1						
7	1	172137-76100	ELBOW, PT, PF1/4	1	1						
8	2	24315-000110	PACKING, P 11.0	1	1						
9	1	172123-76121	ADAPTER PF1/2	1	1						
10	1	172162-76131	ADAPTER, MALE/MALE	1	1						
11	1	172183-76200	CONNECTOR 1/4-1/4	2	2						
12	1	172141-76220	NIPPLE, 02	1	1						
13	1	172828-76330	CONNECTOR 1/4X1/4	1	1						
14	1	172116-76381	ADAPTER 64	1	1						
15	1	172B03-76620	CONNECTOR,3-G1/4	3	3						
16	1	172B03-76650	STAY ASSY, SHUTTLE V	1	1						
17	1	23391-020000	JOINT, RGI 1/4	1	1						
18	1	26013-100202	BOLT, 10 X 20	2	2						
19	1	41851-000110	PACKING, 11.0	3	3						
20	1	41851-000140	PACKING, 14.0	1	1						
21	1	172B03-79280	HOSE, F403BC026S	1	1						
22	1	172B03-79290	HOSE, G804YY034S	1	1						
23	1	172B03-79360	HOSE, F403BB042S	1	1						
24	1	172B03-79370	HOSE, F403BC028S	1	1						
25	1	172B03-79380	HOSE, F403CC062S	1	1						
26	1	172B03-79390	HOSE, F403BC137S	1	1						
27	1	172B03-79590	HOSE, F403CC065S	1	1						
28	1	172B05-79790	HOSE, F403BC043S	1	1						
29	1	23000-013000	CLAMP, HOSE 13	2	2						

Remarks
 * Exclusive figure for angle blade specification.

(A)=VIO45-6A P(US)
 (B)=VIO45-6A C(US)
 (C)=

(D)=
 (E)=
 (F)=



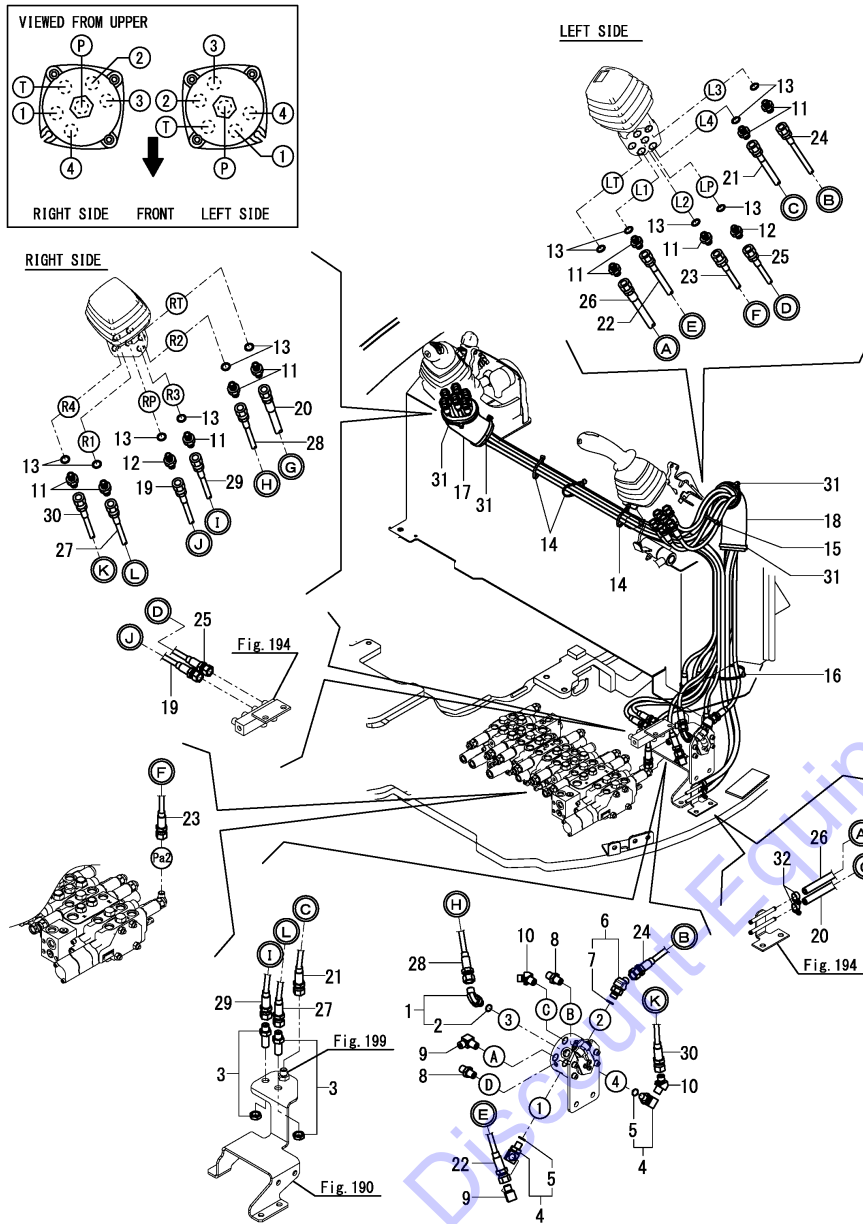
No.	Lev.	Parts No.	Description	Q'ty						I	R
				(A)	(B)	(C)	(D)	(E)	(F)		
1	1	172B03-76010	ELBOW	1	1						
2	2	41851-000110	O-RING	1	1						
3	1	172151-76050	JOINT	2	2						
4	1	172137-76100	ELBOW	2	2						
5	2	24315-000110	O-RING, 1BP11.0	2	2						
6	1	172173-76102	CONNECTOR ASSY	1	1						
7	2	41851-000110	O-RING	1	1						
8	1	23391-020000	JOINT, RGI-1/4	2	2						
9	1	23393-020000	JOINT, 90RGI-1/4	2	2						
10	1	23394-020000	JOINT, 45RGI-1/4	2	2						
11	1	172123-76121	ADAPTER	10	10						
12	1	172455-76220	CONNECTOR	2	2						
13	1	41851-000110	O-RING	12	12						
14	1	172126-11510	BAND	3	3						
15	1	172126-11510	BAND	1	1						
16	1	172183-16560	CLIP, HOSE	1	1						
17	1	172458-63641	SPONGE, HOSE	1	1						
18	1	172458-78571	SPONGE, HOSE	1	1						
19	1	172B03-78910	HOSE, F403BB165S	1	1						
20	1	172B03-78920	HOSE, G804BY165S	1	1						
21	1	172B03-79610	HOSE, F403BB110S	1	1						
22	1	172B03-79620	HOSE, F403BB113S	1	1						
23	1	172B03-79630	HOSE, F403BB095S	1	1						
24	1	172B03-79640	HOSE, F403BB138S	1	1						
25	1	172B03-79650	HOSE, F403BB110S	1	1						
26	1	172B03-79660	HOSE, G804BY115S	1	1						
27	1	172B03-79670	HOSE, F403BB140S	1	1						
28	1	172B03-79680	HOSE, F403BB148S	1	1						
29	1	172B03-79690	HOSE, F403BB136S	1	1						
30	1	172B03-79700	HOSE, F403BB148S	1	1						
31	1	172122-79930	CLAMP, HOSE	4	4						
32	1	23000-013000	CLAMP, 13	2	2						

Remarks
 * Fitting(control valve) is shown in Fig.133 & 134.
 * Not applied for angle blade specification.

Fig.200. (145A)CONTROL PIPING(1)(ANGLE BLADE SPEC.)

(A)=VIO45-6A P(US)
 (B)=VIO45-6A C(US)
 (C)=

(D)=
 (E)=
 (F)=

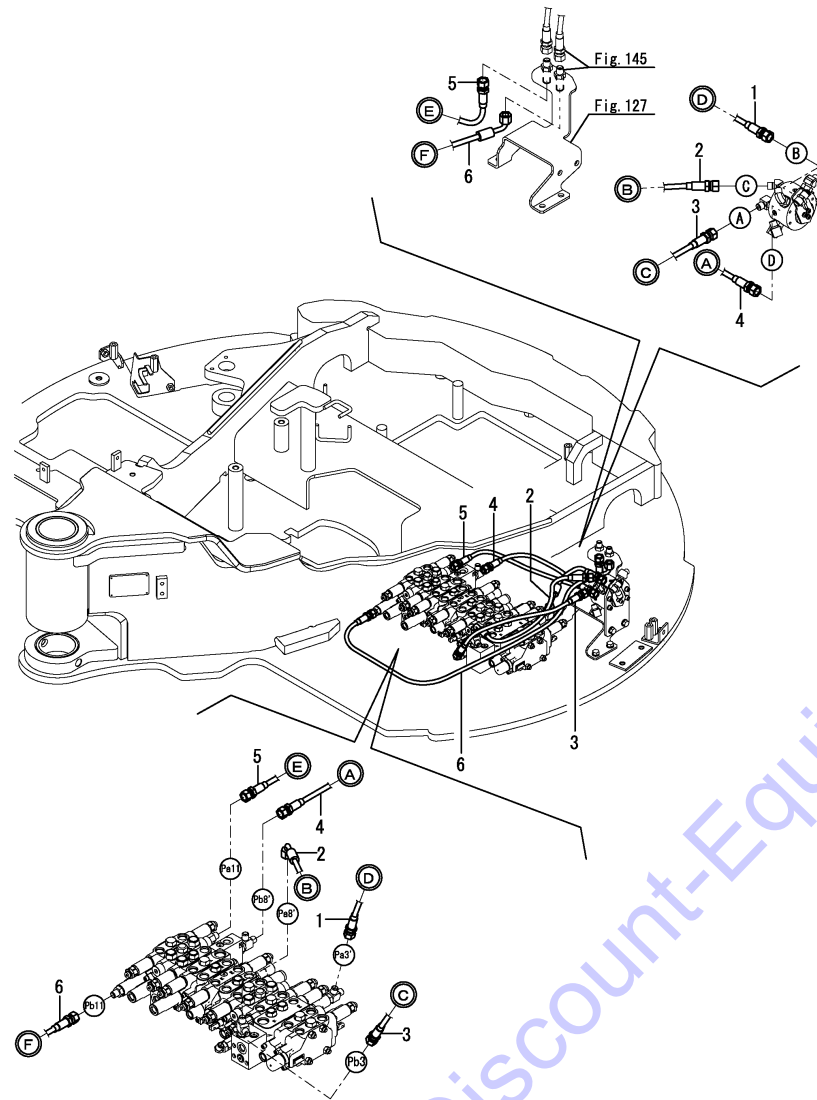


No.	Lev.	Parts No.	Description	(A)	(B)	Q'ty	(D)	(E)	(F)	I	R
1	1	172B03-76010	ELBOW,G1/4	1	1						
2	2	41851-000110	PACKING, 11.0	1	1						
3	1	172151-76050	JOINT	2	2						
4	1	172137-76100	ELBOW, PT, PF1/4	2	2						
5	2	24315-000110	PACKING, P 11.0	2	2						
6	1	172173-76102	CONNECTOR PF1/4-45 A	1	1						
7	2	41851-000110	PACKING, 11.0	1	1						
8	1	23391-020000	JOINT, RGI 1/4	2	2						
9	1	23393-020000	JOINT, 90 RGI 1/4	2	2						
10	1	23394-020000	JOINT, 45 RGI 1/4	2	2						
11	1	172123-76121	ADAPTER PF1/2	10	10						
12	1	172455-76220	CONNECTOR PF1/4	2	2						
13	1	41851-000110	PACKING, 11.0	12	12						
14	1	172126-11510	BAND, 300	3	3						
15	1	172126-11510	BAND, 300	1	1						
16	1	172183-16560	CLIP 400, HOSE	1	1						
17	1	172458-63641	SOUND SHIELD,HOSE	1	1						
18	1	172458-78571	SOUND SHIELD,HOSE	1	1						
19	1	172B03-78910	HOSE, F403BB165S	1	1						
20	1	172B03-78920	HOSE, G804BY165S	1	1						
21	1	172B03-79580	HOSE, F403BB083S	1	1						
22	1	172B03-79610	HOSE, F403BB110S	1	1						
23	1	172B03-79620	HOSE, F403BB113S	1	1						
24	1	172B03-79630	HOSE, F403BB095S	1	1						
25	1	172B03-79650	HOSE, F403BB110S	1	1						
26	1	172B03-79660	HOSE, G804BY115S	1	1						
27	1	172B03-79670	HOSE, F403BB140S	1	1						
28	1	172B03-79680	HOSE, F403BB148S	1	1						
29	1	172B03-79690	HOSE, F403BB136S	1	1						
30	1	172B03-79700	HOSE, F403BB148S	1	1						
31	1	172122-79930	CLIP B, HOSE	4	4						
32	1	23000-013000	CLAMP, HOSE 13	2	2						

Remarks
 * Exclusive figure for angle blade specification.
 * Fitting(control valve) is shown in Fig.193 & 194.

(A)=VIO45-6A P(US)
 (B)=VIO45-6A C(US)
 (C)=

(D)=
 (E)=
 (F)=



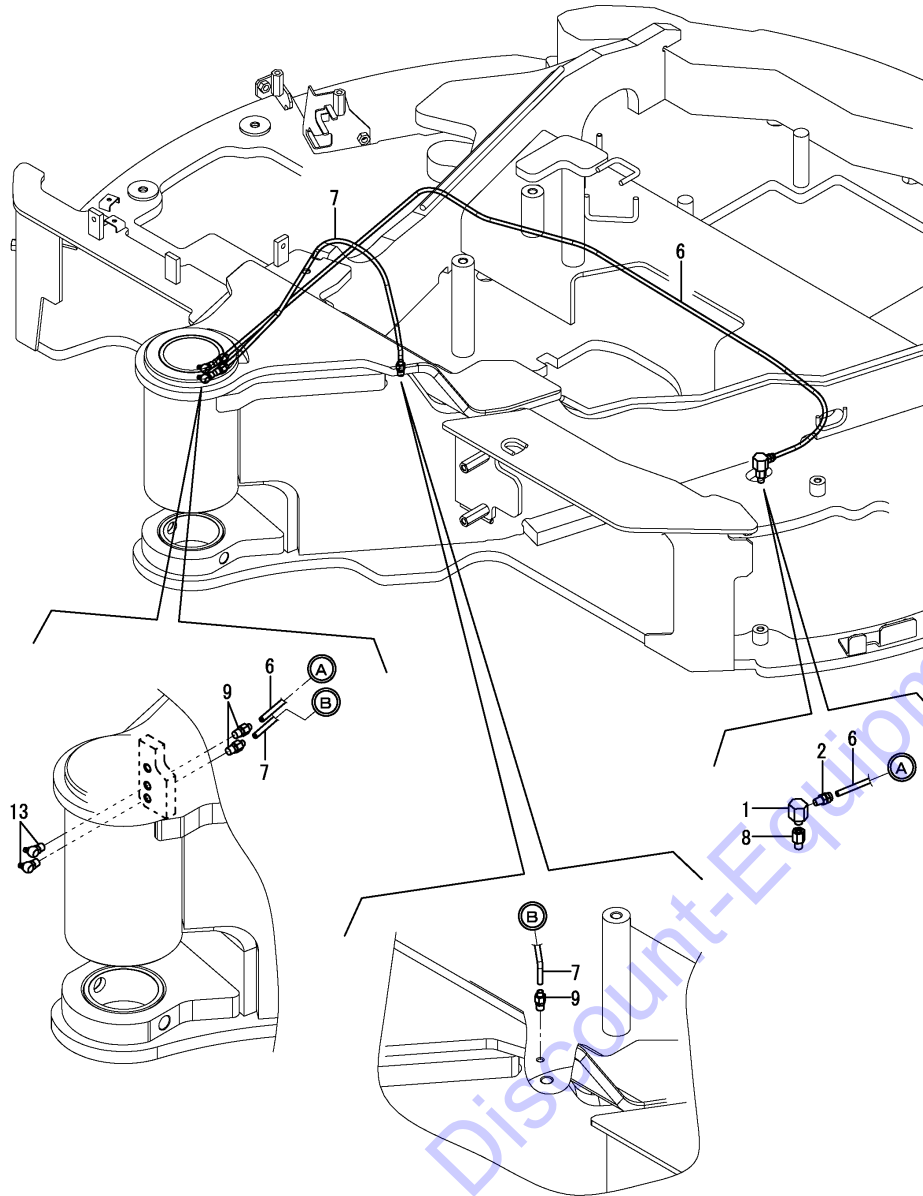
No.	Lev.	Parts No.	Description	Q'ty						I	R
				(A)	(B)	(C)	(D)	(E)	(F)		
1	1	172B03-79510	HOSE, F403BC023	1	1						
2	1	172B03-79520	HOSE, F403BC045S	1	1						
3	1	172B03-79530	HOSE, F403BB047S	1	1						
4	1	172B03-79540	HOSE, F403BB047S	1	1						
5	1	172B03-79550	HOSE, F403BB050S	1	1						
6	1	172B03-79560	HOSE, F403BC111S	1	1						

Remarks
 * Standard blade specification : Fitting(control valve) is shown in Fig.133 & 134.
 * Angle blade specification : Fitting(control valve) is shown in Fig.193 & 194.

Fig.147. GREASING

(A)=VIO45-6A P(US)
 (B)=VIO45-6A C(US)
 (C)=

(D)=
 (E)=
 (F)=

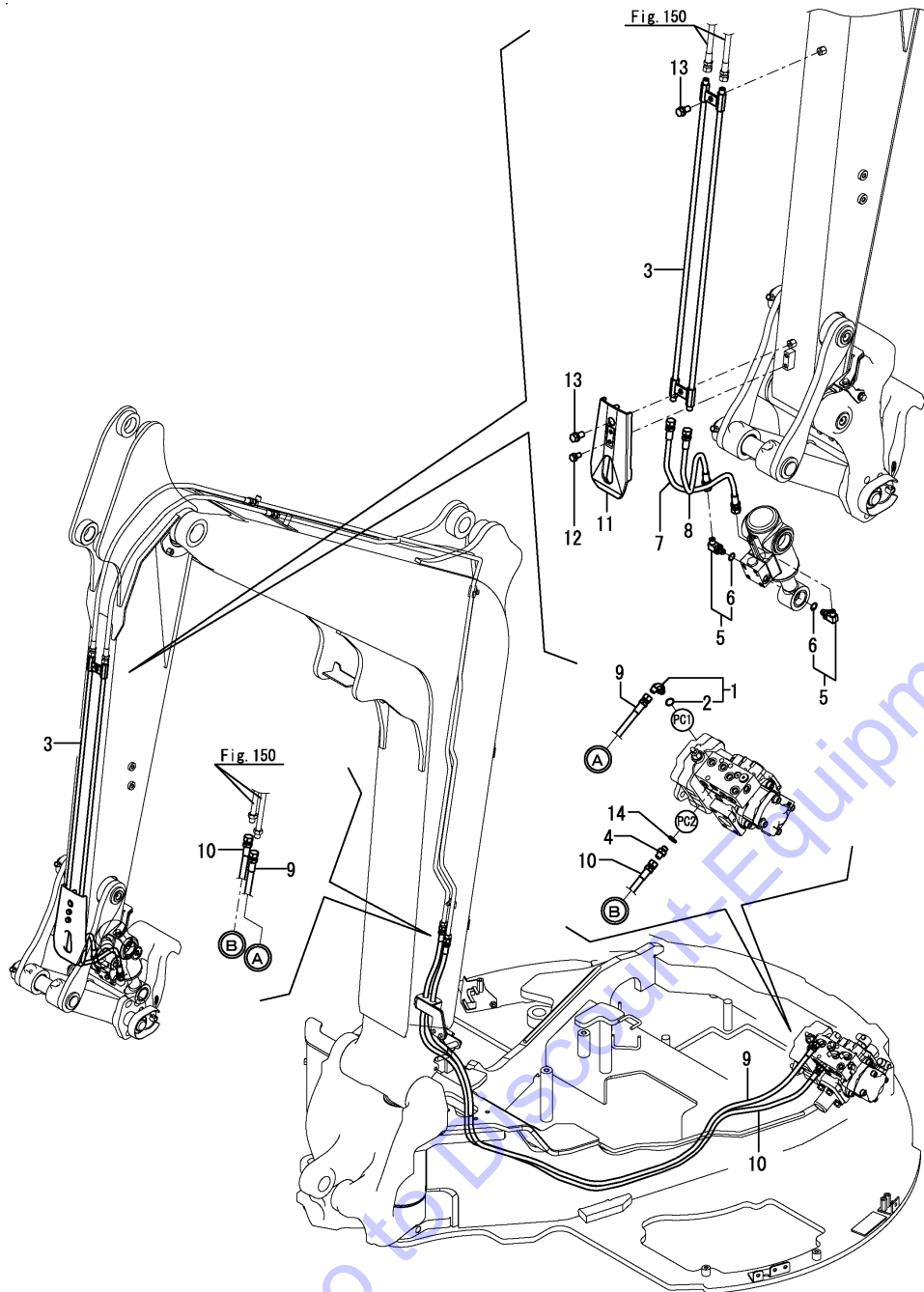


No.	Lev.	Parts No.	Description	Q'ty						I	R
				(A)	(B)	(C)	(D)	(E)	(F)		
1	1	172112-77480	ELBOW	1	1						
2	1	172A47-77820	JOINT, GREASE	1	1						
6	1	172B04-77800	HOSE, P602YY150	1	1						
7	1	172B04-77810	HOSE, P602YY061	1	1						
8	1	172312-77820	FITTING, GREASE	1	1						
9	1	172A47-77820	JOINT, GREASE	3	3						
13	1	24761-040000	NIPPLE, GREASE B	2	2						

Fig.149. QUICK COUPLER(HYD. OIL PIPING)(1)

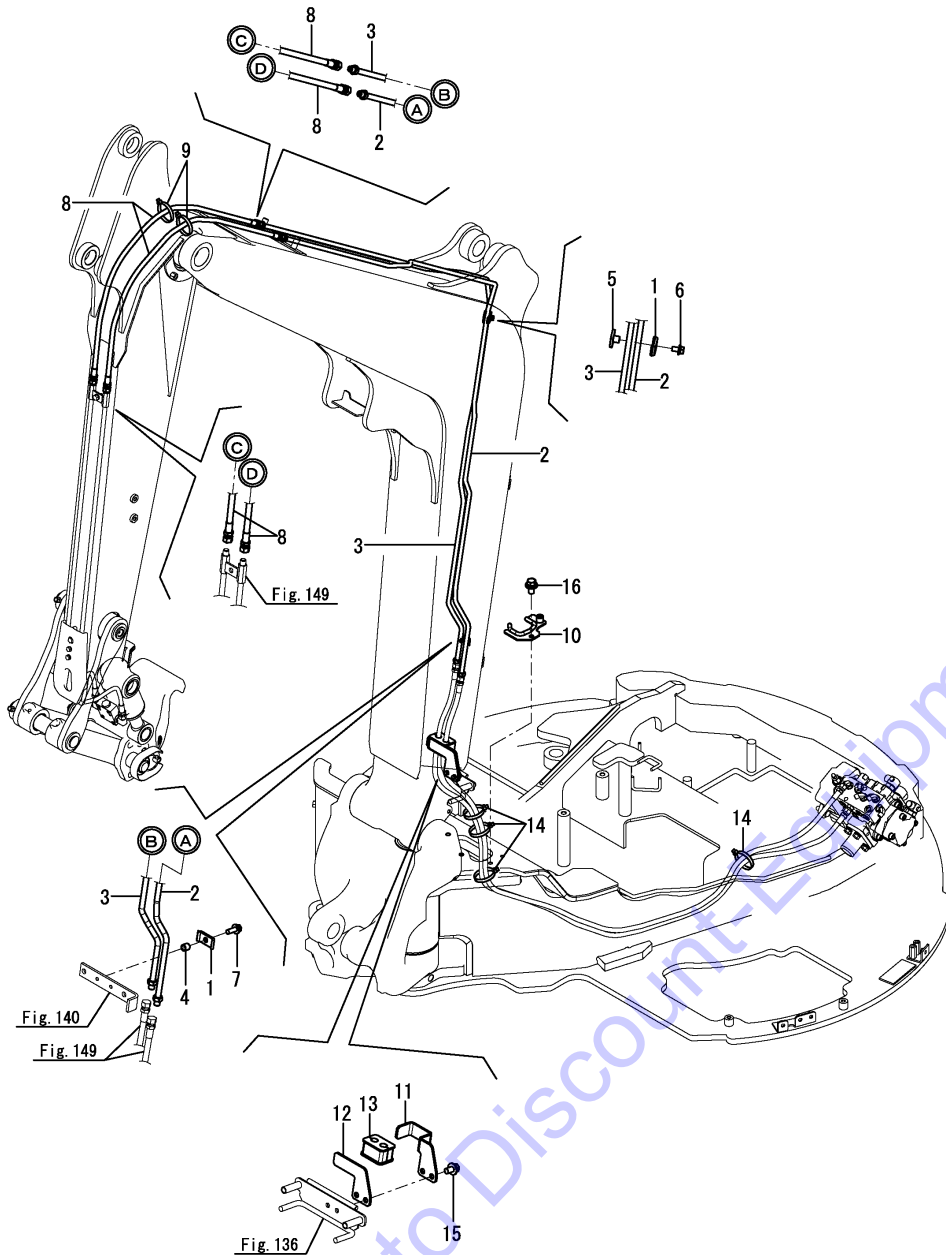
(A)=VIO45-6A P(US)
 (B)=VIO45-6A C(US)
 (C)=

(D)=
 (E)=
 (F)=



No.	Lev.	Parts No.	Description	Q'ty						I	R
				(A)	(B)	(C)	(D)	(E)	(F)		
1	1	172B03-76010	ELBOW	1	1						
2	2	41851-000110	O-RING	1	1						
3	1	172960-76100-Y	TUBE, HITCH	1	1						
4	1	172123-76121	ADAPTER	1	1						
5	1	172958-76130	ELBOW	2	2						
6	2	24315-000110	O-RING, 1BP11.0	2	2						
7	1	172958-78120	HOSE	1	1						
8	1	172958-78160	HOSE	1	1						
9	1	172B04-79011	HOSE, H604BB261K	1	1						
10	1	172B04-79021	HOSE, H604BB268K	1	1						
11	1	172960-81953-Y	COVER ASSY	1	1						
11-1	1	172Q04-81950-Y	COVER,ARM	1	1						N
				(A=M6F690)		(B=M6F690)					
12	1	26013-080162	BOLT, M8X 16	2	2						
13	1	26013-100202	BOLT, M10X 20	2	2						
14	1	41851-000110	O-RING	1	1						

Fig.150. QUICK COUPLER(HYD. OIL PIPING)(2)



(A)=VIO45-6A P(US)
 (B)=VIO45-6A C(US)
 (C)=

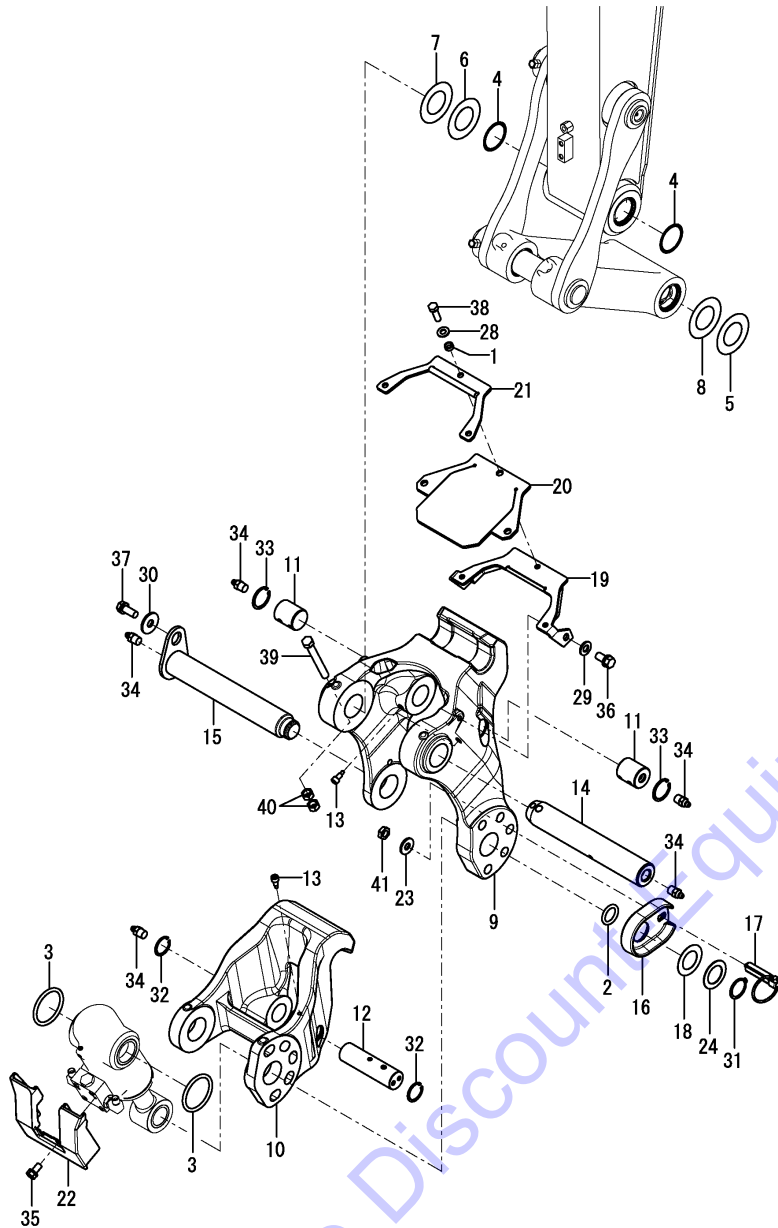
(D)=
 (E)=
 (F)=

No.	Lev.	Parts No.	Description	Q'ty						I	R
				(A)	(B)	(C)	(D)	(E)	(F)		
1	1	172110-76170	PLATE	2	2						
2	1	172B04-76550	TUBE ASSY,L QH	1	1						
3	1	172B04-76570	TUBE ASSY,R QH	1	1						
4	1	172137-76580	COLLAR	1	1						
5	1	172B04-77400	CLAMP ASSY,TUBE	1	1						
6	1	26014-080162	BOLT, M8X 16	1	1						
7	1	26014-080252	BOLT, M8X 25	1	1						
8	1	172B04-79030	HOSE, H604BB104K	2	2						
9	1	172122-79930	CLAMP, HOSE	2	2						
9-1	1	172122-79890	CLAMP, HOSE	2	2						N
		(A=M60587) (B=M60587)									
10	1	172B04-77700	GUIDE ASSY,Q-K	1	1						
11	1	172B04-79650	PLATE,CLAMP A	1	1						
12	1	172B04-79660	PLATE,CLAMP B	1	1						
13	1	172B04-79680	RUBBER, CLAMP Q	1	1						
14	1	172122-79890	CLAMP, HOSE	4	4						
15	1	26014-100202	BOLT, M10X 20	2	2						
16	1	26014-100202	BOLT, M10X 20	1	1						

Fig.151. QUICK COUPLER(BODY)

(A)=VIO45-6A P(US)
 (B)=VIO45-6A C(US)
 (C)=

(D)=
 (E)=
 (F)=

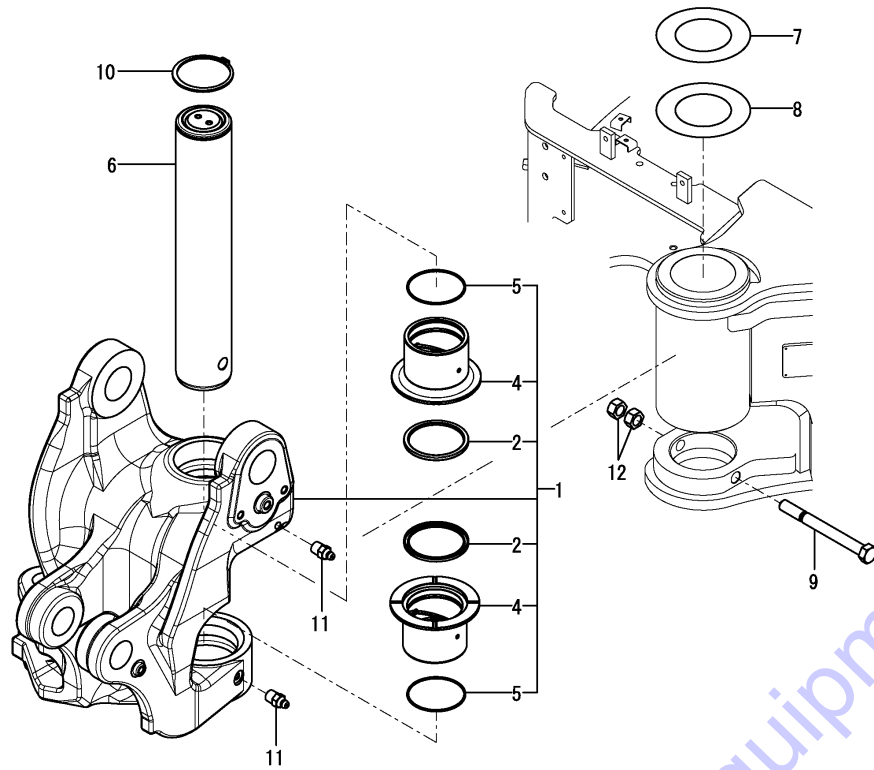


No.	Lev.	Parts No.	Description	Q'ty						I	R
				(A)	(B)	(C)	(D)	(E)	(F)		
1	1	172958-17121	COLLAR, 9X4	3	3						
2	1	172124-46200	O-RING	1	1						
3	1	172171-81270	O-RING, 61X6.0	2	2						
4	1	172125-81280	O-RING	2	2						
5	1	172165-82550	SHIM	1	1						
6	1	172165-82550	SHIM	1	1						
7	1	172165-82560	SHIM	1	1						
8	1	172165-82560	SHIM	1	1						
9	1	172960-83102-Y	BRACKET,A	1	1						
10	1	172960-83113-Y	BRACKET,B	1	1						
11	1	172960-83121	PIN, 40X45.5	2	2						
12	1	172960-83131	PIN, 35X166	1	1						
13	1	172958-83140	BOLT	3	3						
14	1	172960-83141	PIN, 45X261	1	1						
15	1	172960-83152	PIN ASSY, 45X299	1	1						
16	1	172958-83171-Y	PLATE, LOCK	1	1						
17	1	172960-83192	PIN ASSY, LOCK	1	1						
18	1	172960-83210	COLLAR	1	1						
19	1	172960-83252-Y	GUARD ASSY	1	1						
20	1	172960-83282	PLATE, RUBBER	1	1						
21	1	172960-83292-Y	PLATE ASSY	1	1						
22	1	172960-83312-Y	COVER ASSY	1	1						
23	1	172958-83330	WASHER	1	1						
24	1	172141-84601	SHIM	1	1						
28	1	22137-080000	WASHER, 8	3	3						
29	1	22137-100000	WASHER, 10	2	2						
30	1	22157-120000	WASHER, 12	1	1						
31	1	22242-000350	RING, 35	1	1						
32	1	22252-000350	RING, 35	2	2						
33	1	22252-000400	RING, 40	2	2						
34	1	24761-020000	NIPPLE, GREASE PT1/8	5	5						
35	1	26013-080162	BOLT, M8X 16	2	2						
36	1	26013-100202	BOLT, M10X 20	2	2						
37	1	26013-120302	BOLT, M12X 30	1	1						
38	1	26116-080252	BOLT, M8X 25 PLATED	3	3						
39	1	26116-100802	BOLT, M10X 80 PLATED	1	1						
40	1	26716-100002	NUT, M10	2	2						
41	1	26756-060002	NUT, LOCK M6	1	1						

Fig.152. BOOM BRACKET

(A)=VIO45-6A P(US)
 (B)=VIO45-6A C(US)
 (C)=

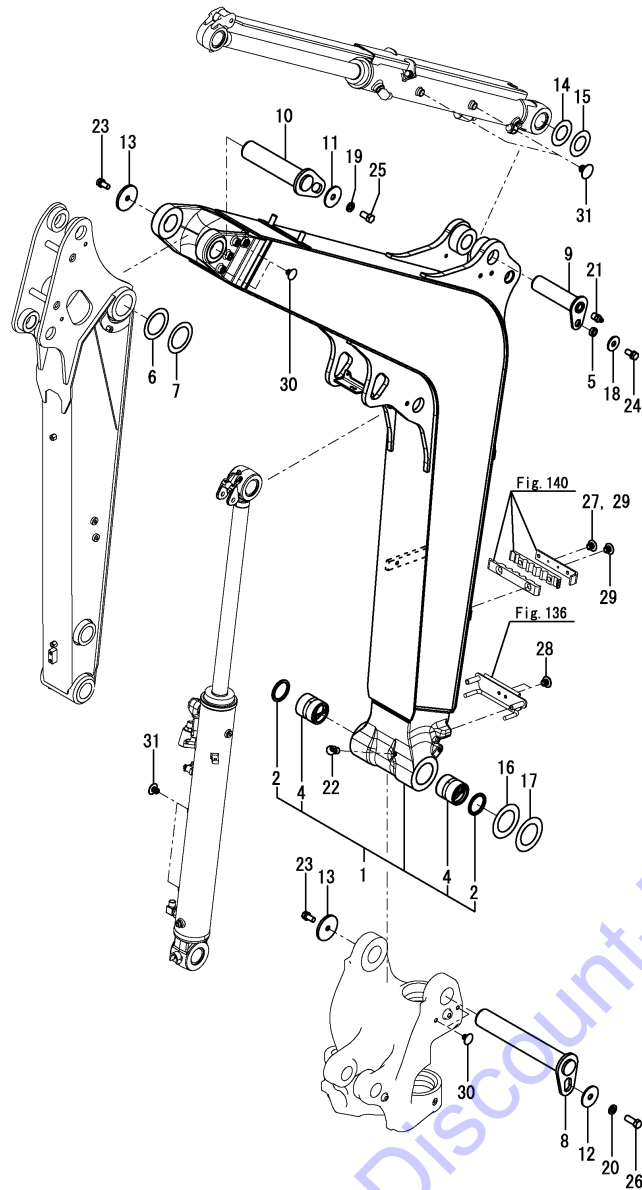
(D)=
 (E)=
 (F)=



No.	Lev.	Parts No.	Description	Q'ty						I	R
				(A)	(B)	(C)	(D)	(E)	(F)		
1	1	172B04-82300	BRACKET ASSY, BOOM	1	1						
2	2	172455-81380	SEAL, DUST 90X105X6	2	2						
4	2	172B04-82320	BUSH, 105X90	2	2						
5	2	24321-000900	O-RING, 1AG90.0	2	2						
6	1	172B04-82350	PIN ASSY, 90X507	1	1						
7	1	172B04-82380	SHIM, 90X150X0.5	1	1						
8	1	172B04-82390	SHIM, 90X150X0.8	1	1						
9	1	172455-83480	BOLT 18X190	1	1						
10	1	22242-000900	RING, 90	1	1						
11	1	24761-020000	NIPPLE, GREASE PT1/8	2	2						
12	1	26716-180002	NUT, M18	2	2						

Go to Discount-Equipment.com to order your parts

Fig.153. BOOM



(A)=VIO45-6A P(US)
 (B)=VIO45-6A C(US)
 (C)=

(D)=
 (E)=
 (F)=

No.	Lev.	Parts No.	Description	Q'ty						I	R
				(A)	(B)	(C)	(D)	(E)	(F)		
1	1	172B04-81100	BOOM ASSY	1	1						2
2	2	172020-10620	SEAL, DUST	2	2						
4	2	172460-81400	BUSH	2	2						
4A	1	172437-03461	LABEL, BOOM	2	2						3
5	1	172164-81670	SPACER	1	1						
6	1	172175-81700	SHIM	1	1						
7	1	172175-81710	SHIM	1	1						
8	1	172B04-81800	PIN ASSY, 60X385	1	1						
9	1	172B04-81840	PIN ASSY, 50X189	1	1						
10	1	172A47-81921	PIN ASSY, 60X255	1	1						
11	1	172187-81970	WASHER	1	1						
12	1	172187-81970	WASHER	1	1						
13	1	172147-82140	WASHER	2	2						
14	1	172165-82520	SHIM	1	1						
15	1	172165-82530	SHIM	1	1						
16	1	172162-83560	SHIM	1	1						
17	1	172162-83570	SHIM	1	1						
18	1	22157-120000	WASHER, 12	1	1						
19	1	22217-140000	WASHER, SPRING 14	1	1						
20	1	22217-140000	WASHER, SPRING 14	1	1						
21	1	24761-020000	NIPPLE, GREASE PT1/8	1	1						
22	1	24761-040000	NIPPLE, GREASE B	1	1						
23	1	26013-120252	BOLT, M12X 25	2	2						
24	1	26013-120252	BOLT, M12X 25	1	1						
25	1	26116-140252	BOLT, M14X 25 PLATED	1	1						
26	1	26116-140352	BOLT, M14X 35 PLATED	1	1						
27	1	172444-17660	CLIP, TREE			1					1
27-1	1	172B11-76900 (B=M6F546)	CLIP, TREE 8			1					N 1
28	1	172183-81160	CLIP, TREE			2					1
29	1	172444-17660	CLIP, TREE			2	2				
29-1	1	172B11-76900 (A=M6F546) (B=M6F546)	CLIP, TREE 8			2	2				N
30	1	172176-68210	CLIP, TREE	4	4						
31	1	172183-81160	CLIP, TREE	4	4						

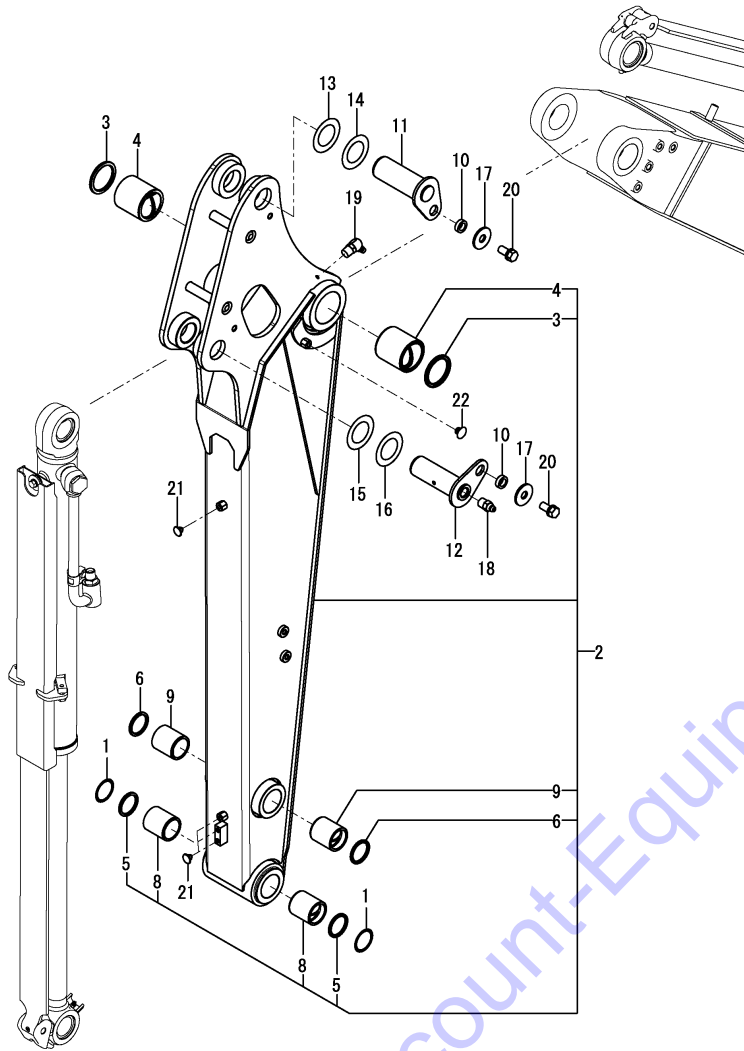
Remarks

- (1)Not applied for quick coupler specification.
- (2)Attach the No.4A label to this part.
- (3)Label is not illustrated.

Fig.154. ARM

(A)=VIO45-6A P(US)
 (B)=VIO45-6A C(US)
 (C)=

(D)=
 (E)=
 (F)=



No.	Lev.	Parts No.	Description	Q'ty						I	R
				(A)	(B)	(C)	(D)	(E)	(F)		
1	1	172125-81280	O-RING	2	2						
2	1	172B04-81500	ARM ASSY, 1450	1	1						2
3	2	172020-10620	SEAL, DUST	2	2						
4	2	172445-81360	BUSH	2	2						
5	2	172168-81410	SEAL, DUST	2	2						
6	2	172168-81410	SEAL, DUST	2	2						
8	2	172112-83500	BUSH, PIN	2	2						
9	2	172112-83500	BUSH, PIN	2	2						
9A	1	172472-03261	LABEL, FINGER	1	1						3
9B	1	172472-03330	LABEL, LOCK PIN	1	1						3
10	1	172164-81670	SPACER	2	2						
11	1	172B04-81870	PIN ASSY, 50X135	1	1						
12	1	172B04-81920	PIN ASSY, 45X135	1	1						
13	1	172165-82520	SHIM	1	1						
14	1	172165-82530	SHIM	1	1						
15	1	172165-82550	SHIM	1	1						
16	1	172165-82560	SHIM	1	1						
17	1	22157-120000	WASHER, 12	2	2						
18	1	24761-020000	NIPPLE, GREASE PT1/8	1	1						
19	1	24761-040000	NIPPLE, GREASE B	1	1						
20	1	26013-120252	BOLT, M12X 25	2	2						
21	1	172444-17660	CLIP, TREE		4						1
22	1	172183-81160	CLIP, TREE	1	1						

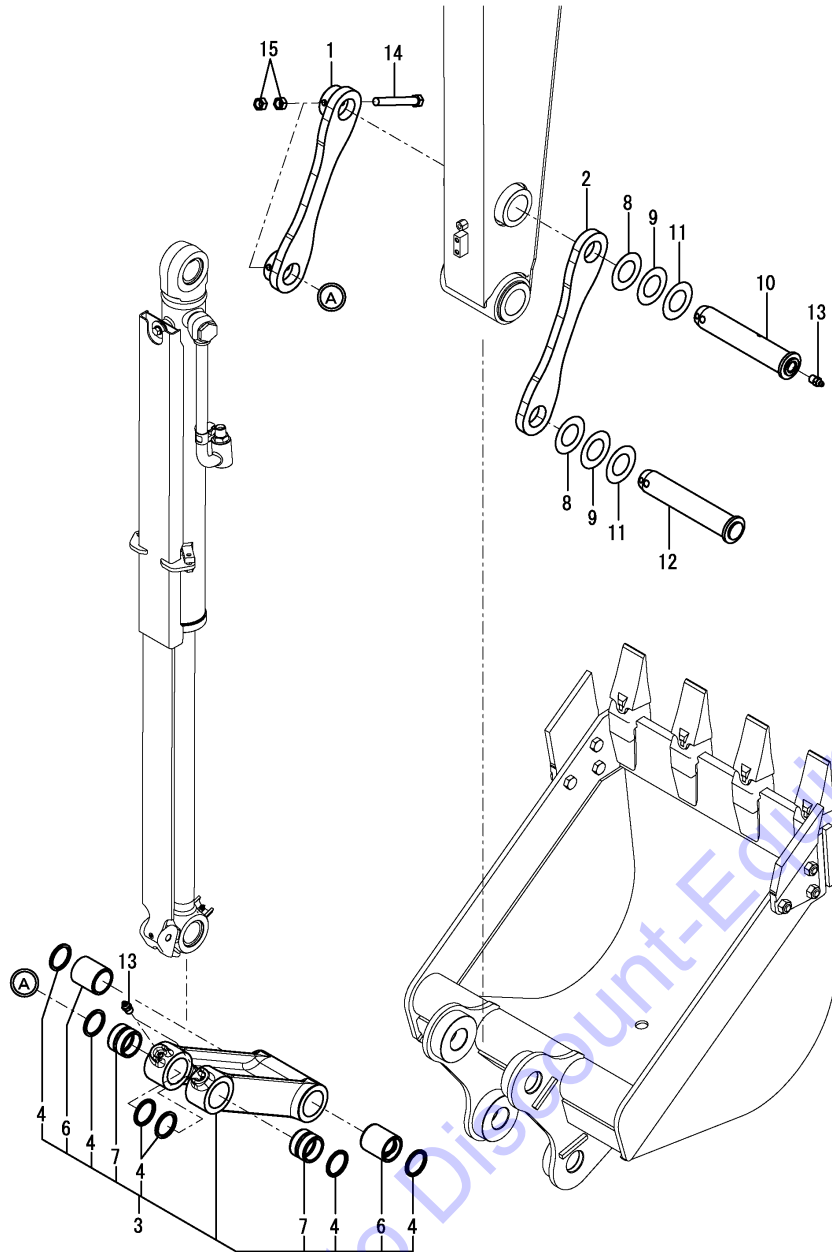
Remarks

- (1)Not applied for quick coupler specification.
- (2)Attach the No.9A & 9B label to this part.
- (3)Label is not illustrated.

Fig.155. BUCKET ARM & LINK

(A)=VIO45-6A P(US)
 (B)=VIO45-6A C(US)
 (C)=

(D)=
 (E)=
 (F)=

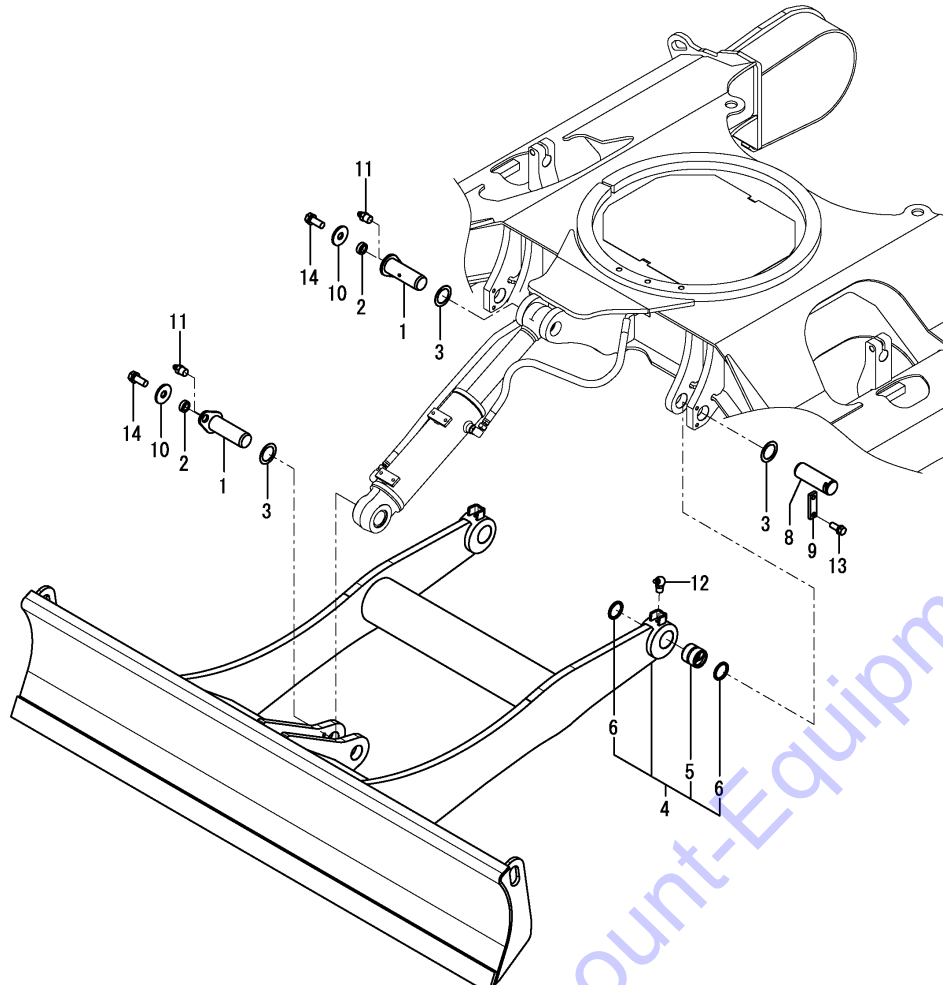


No.	Lev.	Parts No.	Description	Q'ty						I	R
				(A)	(B)	(C)	(D)	(E)	(F)		
1	1	172460-82350-Y	ARM, BUCKET	1	1						
2	1	172460-82360-Y	ARM, BUCKET	1	1						
3	1	172460-82380-Y	LINK, BUCKET	1	1						
4	2	172168-81410	SEAL, DUST	6	6						
6	2	172112-83500	BUSH, PIN	2	2						
7	2	172112-86250	BUSH, PIN	2	2						
8	1	172165-82550	SHIM	2	2						
9	1	172165-82560	SHIM	2	2						
10	1	172460-82561	PIN ASSY, 45X217 A	1	1						
11	1	172165-82570	SHIM	2	2						
12	1	172460-82591	PIN ASSY, 45X217B	1	1						
13	1	24761-020000	NIPPLE, GREASE PT1/8	3	3						
14	1	26116-100802	BOLT, M10X 80 PLATED	2	2						
15	1	26716-100002	NUT, M10	4	4						

Fig.156. BLADE

(A)=VIO45-6A P(US)
 (B)=VIO45-6A C(US)
 (C)=

(D)=
 (E)=
 (F)=

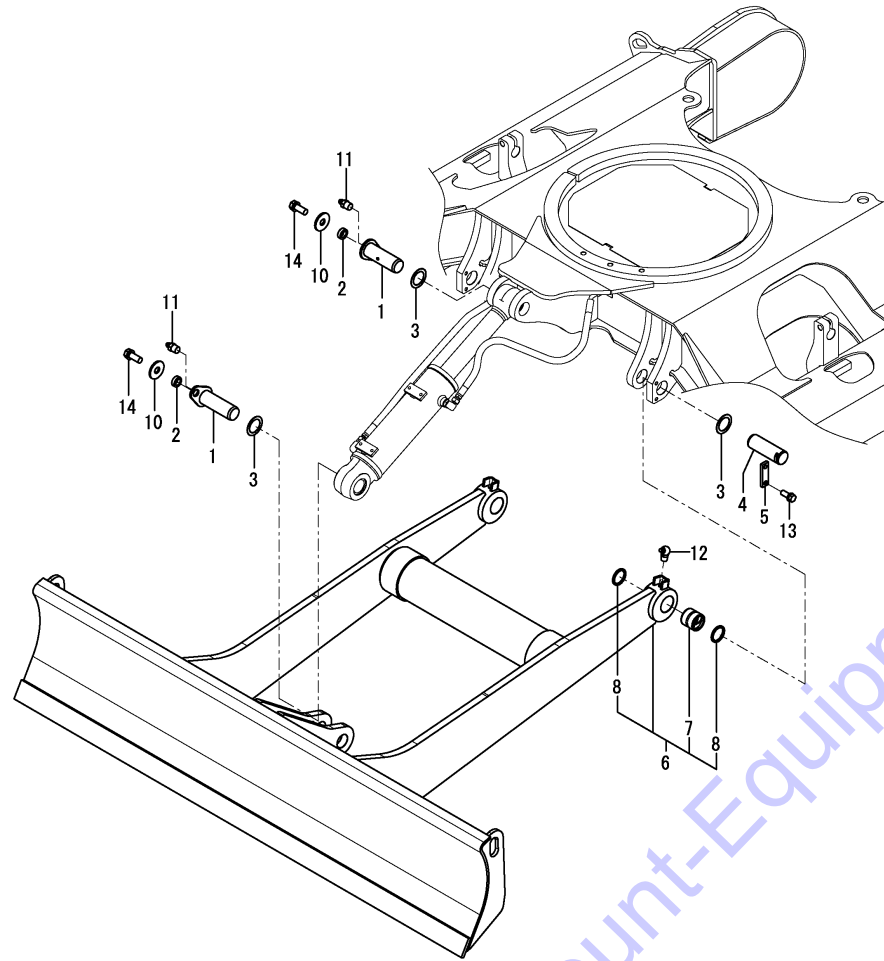


No.	Lev.	Parts No.	Description	Q'ty						I	R
				(A)	(B)	(C)	(D)	(E)	(F)		
1	1	172B04-81650	PIN ASSY, 45X132		2						
2	1	172164-81670	SPACER		2						
3	1	172112-87840	SHIM		4						
4	1	172B04-94100	BLADE ASSY, 1970		1						
5	2	172A79-72240	BUSH,45X55X50		2						
6	2	172168-81410	SEAL, DUST		4						
8	1	172423-94211	PIN, 45X120		2						
9	1	172124-94310-5	PLATE, LOCK		2						
10	1	22157-120000	WASHER, 12		2						
11	1	24761-020000	NIPPLE, GREASE PT1/8		2						
12	1	24761-040000	NIPPLE, GREASE B		2						
13	1	26013-100252	BOLT, M10X 25		4						
14	1	26013-120302	BOLT, M12X 30		2						

Fig.157. BLADE(QUICK COUPLER SPEC.)

(A)=VIO45-6A P(US)
 (B)=VIO45-6A C(US)
 (C)=

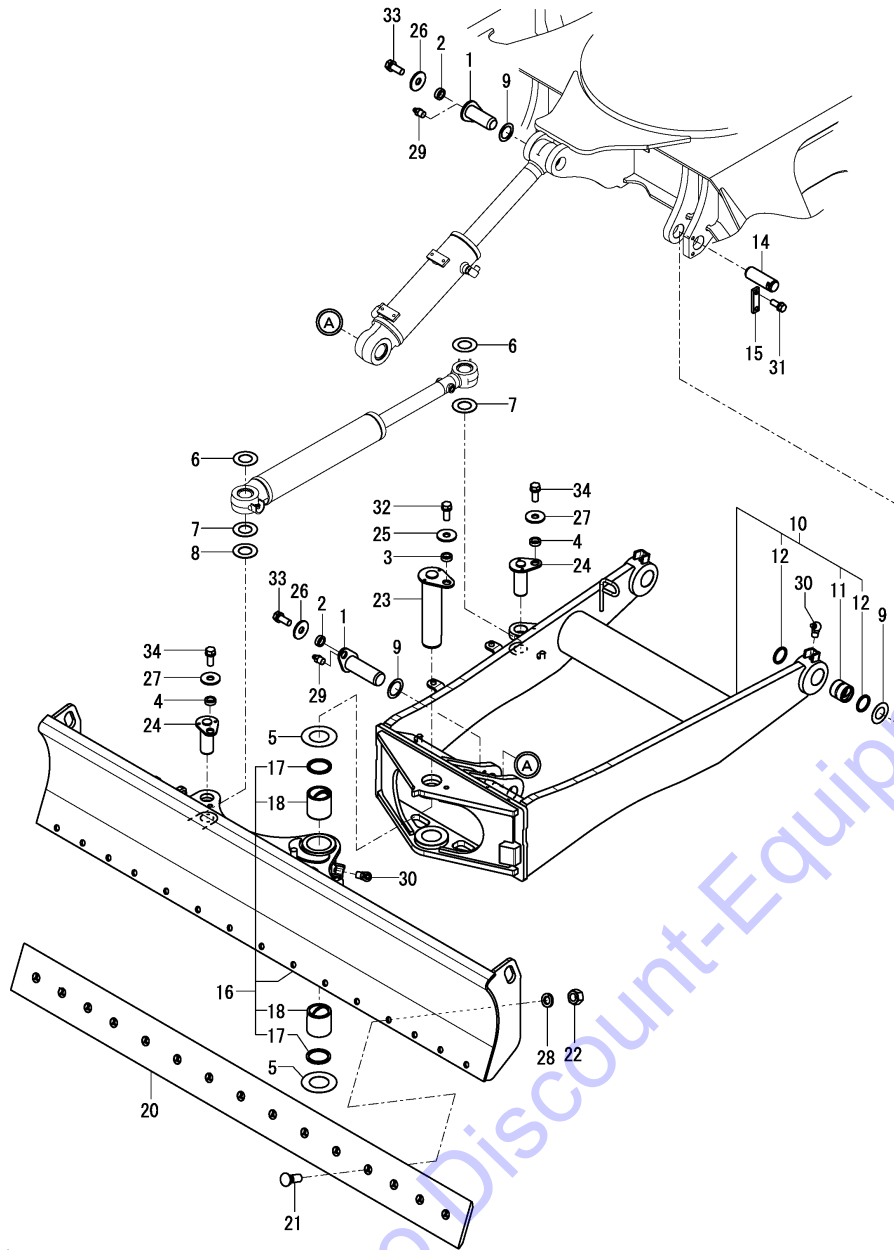
(D)=
 (E)=
 (F)=



No.	Lev.	Parts No.	Description	Q'ty						I	R
				(A)	(B)	(C)	(D)	(E)	(F)		
1	1	172B04-81650	PIN ASSY, 45X132	2	2						
2	1	172164-81670	SPACER	2	2						
3	1	172112-87840	SHIM	4	4						
4	1	172423-94211	PIN, 45X120	2	2						
5	1	172124-94310-5	PLATE, LOCK	2	2						
6	1	172B04-94500	BLADE ASSY, 1970 Q	1	1						
7	2	172A79-72240	BUSH, 45X55X50	2	2						
8	2	172168-81410	SEAL, DUST	4	4						
10	1	22157-120000	WASHER, 12	2	2						
11	1	24761-020000	NIPPLE, GREASE PT1/8	2	2						
12	1	24761-040000	NIPPLE, GREASE B	2	2						
13	1	26013-100252	BOLT, M10X 25	4	4						
14	1	26013-120302	BOLT, M12X 30	2	2						

Remarks
 * Not applied for angle blade specification.

Fig.201. (157A)BLADE(ANGLE BLADE SPEC.)



(A)=VIO45-6A P(US)
 (B)=VIO45-6A C(US)
 (C)=

(D)=
 (E)=
 (F)=

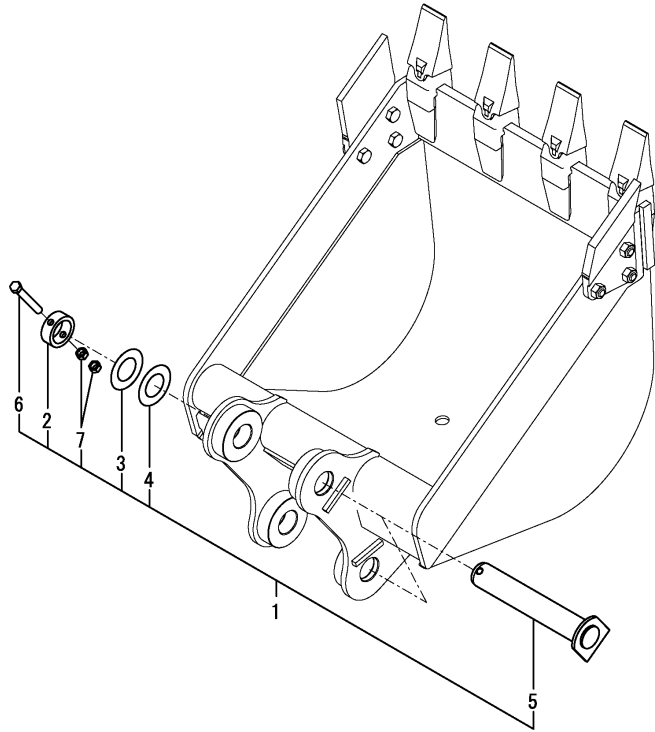
No.	Lev.	Parts No.	Description	Q'ty						I	R
				(A)	(B)	(C)	(D)	(E)	(F)		
1	1	172B04-81650	PIN ASSY, 45X132	2	2						
2	1	172164-81670	SPACER	2	2						
3	1	172164-81670	SPACER	1	1						
4	1	172164-81670	SPACER	2	2						
5	1	172175-81700	SHIM 60X110X0.8	2	2						
6	1	172165-82580	SHIM 40X75X0.5	2	2						
7	1	172165-82590	SHIM 40X75X1.2	2	2						
8	1	172165-82600	SHIM 40X75X1.6	1	1						
9	1	172112-87840	SHIM 45X1	4	4						
10	1	172B05-94100	BLADE ASSY, ANGLE R	1	1						
11	2	172A79-72240	BUSH,45X55X50	2	2						
12	2	172168-81410	DUST SEAL 45X55X4	4	4						
14	1	172423-94211	PIN, 45X120	2	2						
15	1	172124-94310-5	PLATE, LOCK	2	2						
16	1	172B05-94500	BLADE ASSY, ANGLE F	1	1						
17	2	172020-10620	DUST SEAL 60X75X5	2	2						
18	2	172445-81360	BUSH, 60X75	2	2						
20	1	172A79-94800	PLATE,CUTTING EX	1	1						
21	1	172A79-94810	BOLT,5/8-11 UNC	15	15						
22	1	172A79-94820	NUT,5/8-11 UNC	15	15						
23	1	172A79-95101	PIN ASSY,60X253	1	1						
24	1	172A79-95301	PIN ASSY,40X102	2	2						
25	1	22157-120000	WASHER, 12	1	1						
26	1	22157-120000	WASHER, 12	2	2						
27	1	22157-120000	WASHER, 12	2	2						
28	1	22217-160000	WASHER, 16	15	15						
29	1	24761-020000	FITTING, PT 1/8	2	2						
30	1	24761-040000	FITTING, PT 1/8	3	3						
31	1	26013-100252	BOLT, 10 X 25	4	4						
32	1	26013-120302	BOLT, 12 X 30	1	1						
33	1	26013-120302	BOLT, 12 X 30	2	2						
34	1	26013-120302	BOLT, 12 X 30	2	2						

Remarks

* Exclusive figure for angle blade specification.

(A)=VIO45-6A P(US)
 (B)=VIO45-6A C(US)
 (C)=

(D)=
 (E)=
 (F)=



No.	Lev.	Parts No.	Description	Q'ty						I	R
				(A)	(B)	(C)	(D)	(E)	(F)		
1	1	172960-81600	BUCKET PIN KIT Q	2	2						
2	2	172176-81640	COLLAR	2	2						
3	2	172165-82550	SHIM	1	1						
4	2	172165-82560	SHIM	1	1						
5	2	172960-83170	PIN 45X271Q	2	2						
6	2	26116-100752	BOLT, M10X 75 PLATED	2	2						
7	2	26716-100002	NUT, M10	4	4						

Go to Discount-Equipment.com to order your parts

Fig.173. BUCKET

(A)=VIO45-6A P(US)
 (B)=VIO45-6A C(US)
 (C)=

(D)=
 (E)=
 (F)=

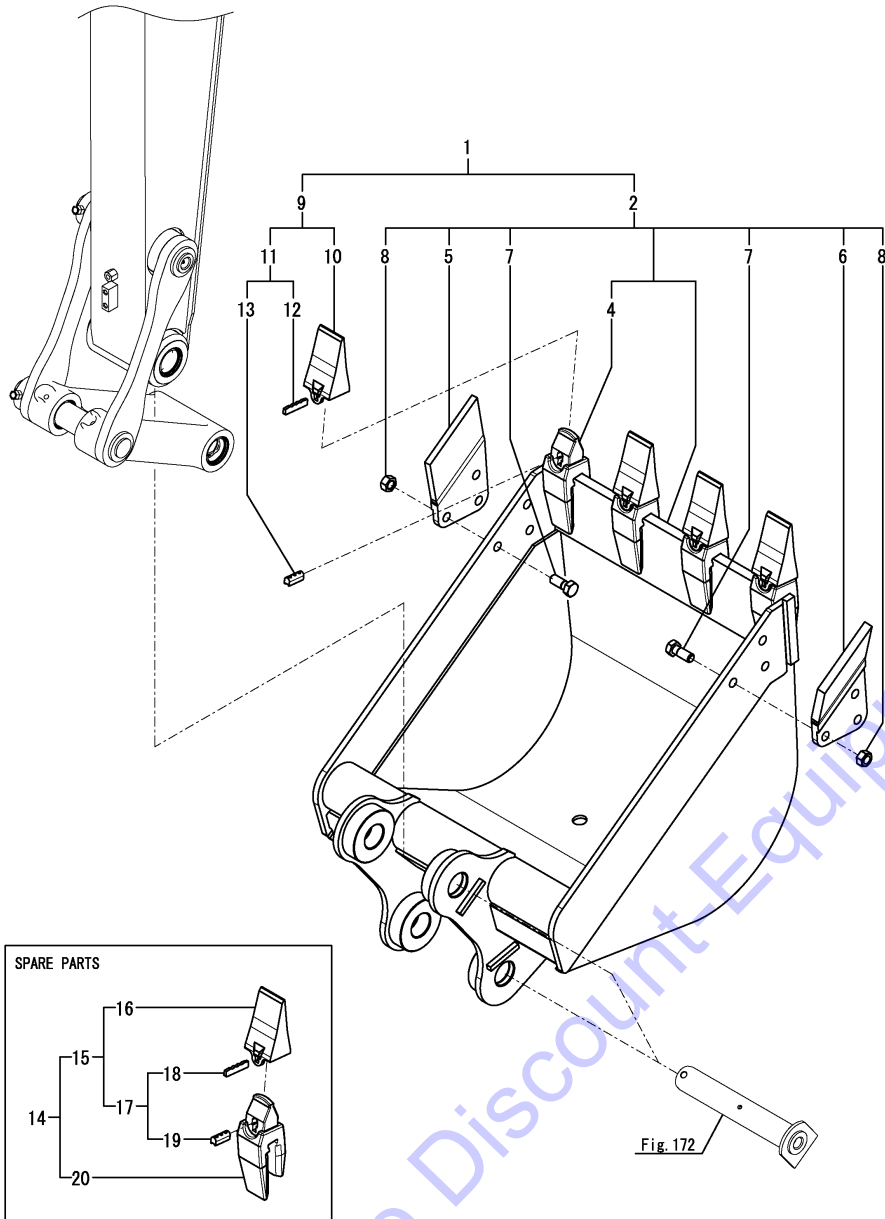


Fig. 172

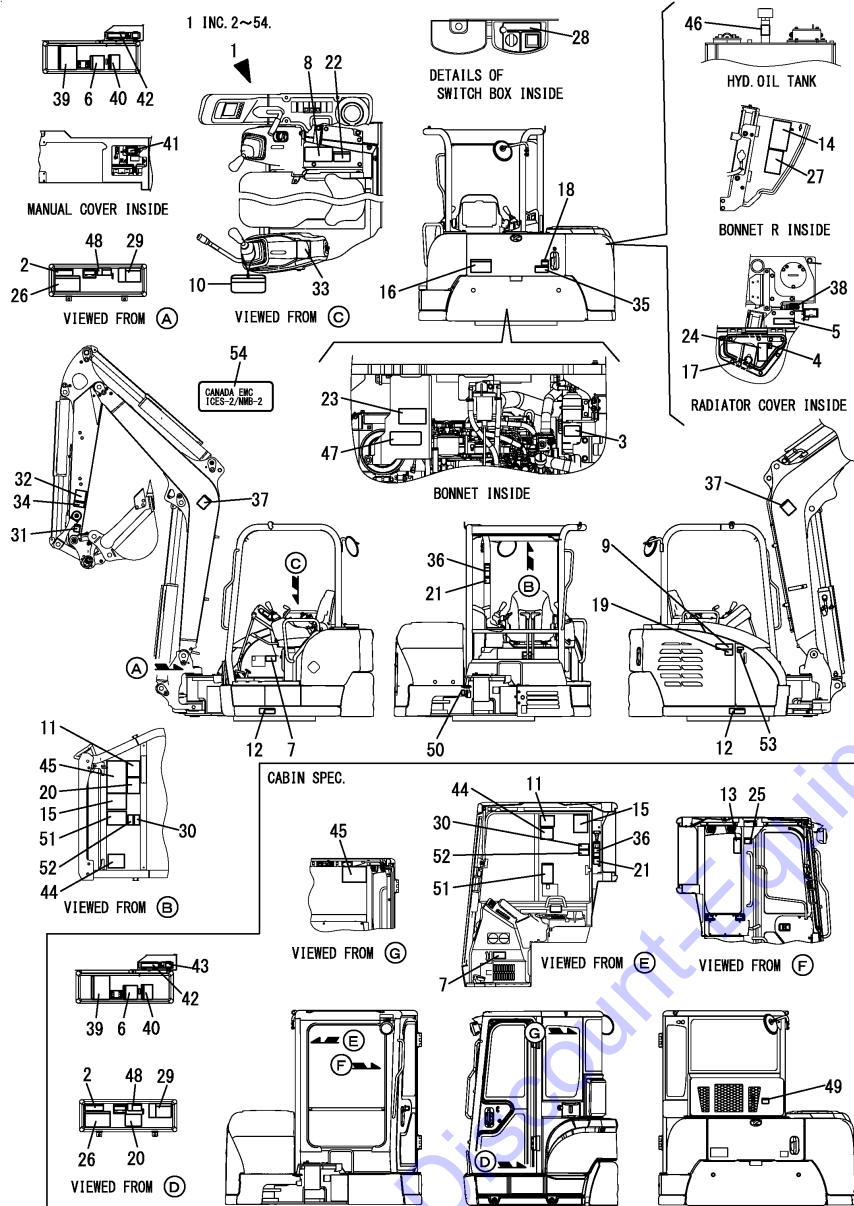
No.	Lev.	Parts No.	Description	Q'ty						I	R
				(A)	(B)	(C)	(D)	(E)	(F)		
1	1	172B04-82100	BUCKET ASSY, 650S	1	1						
2	2	172B04-82110	BUCKET ASSY, 650S	1	1						
4	4	172151-81611-W	ADAPTER	4	4						
5	3	172B04-82210	CUTTER, SIDE R	1	1						
6	3	172B04-82240	CUTTER, SIDE L	1	1						
7	3	172B04-82250	BOLT, M16X40 1.5	6	6						
8	3	172B04-82260	NUT, M16X1.5	6	6						
9	2	172448-82950	TOOTH KIT, POINT	4	4						
10	3	172448-82570	TOOTH, POINT	4	4						
11	3	172448-82960	PIN ASSY, LOCK	4	4						
12	4	172448-82580	PIN, LOCK	4	4						
13	4	172448-82590	RUBBER, PIN	4	4						
14	1	772151-81611-W	TOOTH ASSY	4	4						1
15	2	172448-82950	TOOTH KIT, POINT	4	4						1
16	3	172448-82570	TOOTH, POINT	4	4						1
17	3	172448-82960	PIN ASSY, LOCK	4	4						1
18	4	172448-82580	PIN, LOCK	4	4						1
19	4	172448-82590	RUBBER, PIN	4	4						1
20	2	172151-81611-W	ADAPTER	4	4						1

Remarks
 (1) Spare parts.

Fig.158. LABEL KIT(FOR CANADA)(OPTIONAL)

(A)=VIO45-6A P(US)
 (B)=VIO45-6A C(US)
 (C)=

(D)=
 (E)=
 (F)=



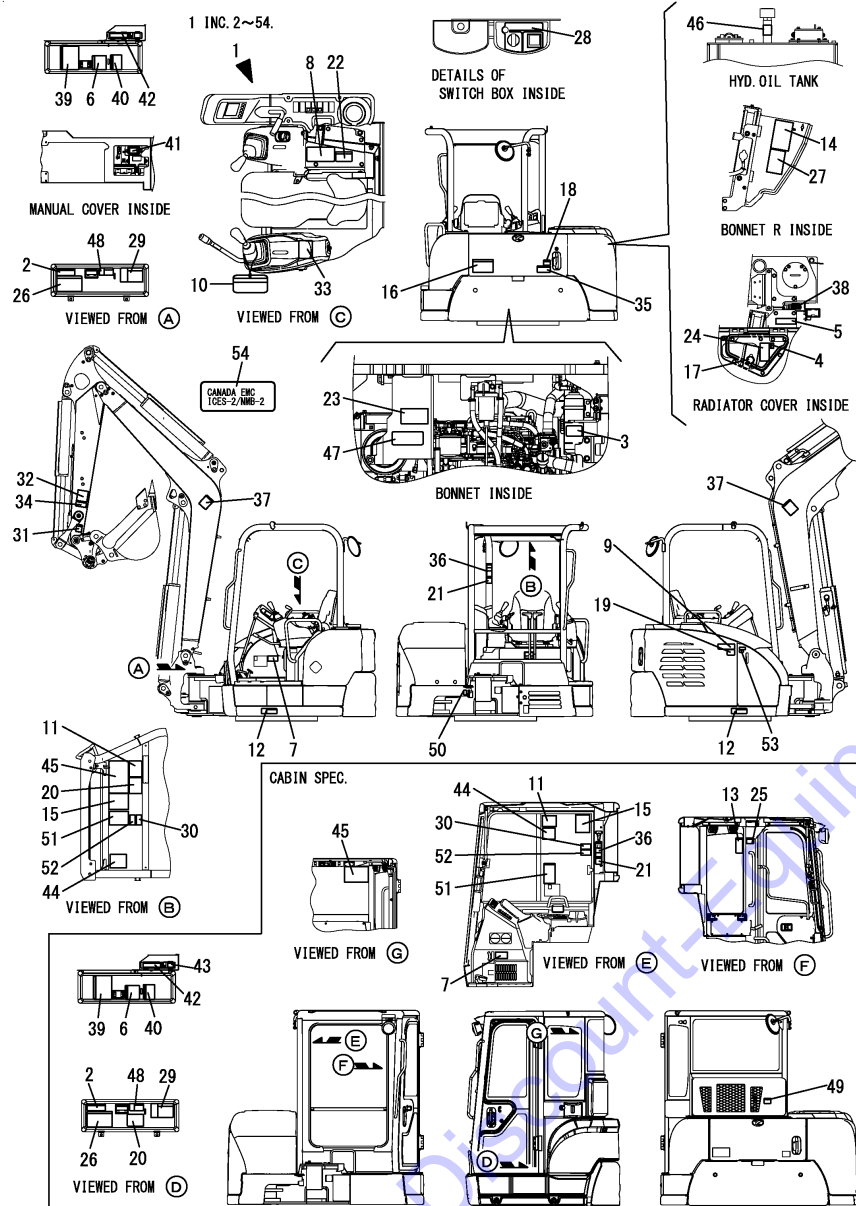
No.	Lev.	Parts No.	Description	Q'ty						I	R
				(A)	(B)	(C)	(D)	(E)	(F)		
1	1	172B04-03020	LABEL KIT,CA VIO45-6	1	1						
2	2	172B04-03080	LABEL, SPEC CA	1	1						
3	2	172A37-03150	LABEL,SUB-TANK CA	1	1						
4	2	172A37-03160	LABEL,ANTI-FREEZE CA	1	1						
5	2	172A37-03180	LABEL J, AIR CLEANER	1	1						
6	2	172A37-03220	LABEL,ADJUST CRAWLER	1	1						
7	2	172A37-03231	LABEL,MANUAL CA.	1	1						
8	2	172A37-03241	LABEL,SLOPE CA.	1	1						
9	2	172A37-03250	LABEL,RESERVOIR CA	1	1						
10	2	172469-03261	TAG ASSY, SERVICING	1	1						
11	2	172A37-03271	LABEL,TRANSPORT CA.	1	1						
12	2	172A37-03280	LABEL,GREASE CYL CA	2	2						
13	2	172478-03290	LABEL,F/W LOWER	1	1						1
14	2	172A37-03290	LABEL,BATTERY CA	1	1						
15	2	172A37-03300	LABEL,NEWTRAL CA	1	1						
16	2	172A37-03310	LABEL,SWING AREA CA	1	1						
16-1	2	172A64-03390	LABEL, SWING AREA CA	1	1						N
(A=*2017.08.) (B=*2017.08.)											
17	2	172469-03320	LABEL,RADIATOR CAP	1	1						
18	2	172A37-03330	LABEL,ENGINE COVER	1	1						
19	2	172469-03360	LABEL,OIL	1	1						
20	2	172A37-03360	LABEL,STERRING CA	1	1						
21	2	172A37-03370	LABEL,ROPS CA	1	1						
22	2	172A37-03400	LABEL,LEVER LOCK CA	1	1						
23	2	172A07-03410	LABEL,WATER DRAIN	1	1						
24	2	172A37-03410	LABEL,RADIATOR CA	1	1						
25	2	172A37-03420	LABEL,WINDOW CA	1	1						1
26	2	172A37-03430	LABEL,2 WAY CA	1	1						
27	2	172A69-03450	LABEL,BATTERY COVER	1	1						
28	2	172469-03480	LABEL,SWITCH	1	1						
29	2	172A37-03500	LABEL,SUPPORT CA	1	1						
30	2	172A37-03520	LABEL,PIN CA	1	1						
31	2	172A37-03530	LABEL,FINGER CA	1	1						
32	2	172469-03540	LABEL,OPERATION PIN	1	1						
33	2	172A47-03651	LABEL,PTO CA	1	1						
34	2	172A37-03680	LABEL,LOCK PIN CA	1	1						
35	2	172A37-03710	LABEL,ENGROOM CA	1	1						
36	2	172A37-03720	LABEL,SEAT BELT CA	1	1						
37	2	172A37-03730	LABEL,BOOM CA	2	2						
38	2	172B04-03800	LABEL,FUSE CA	1	1						
39	2	172B04-03810	LABEL,OIL/WATER CA	1	1						
40	2	172B04-03820	LABEL,GREASING CA	1	1						
41	2	172B04-03830	LABEL,FUSE BOX CA	1	1						
42	2	172B04-03840	LABEL,RELAY BOX S CA	1	1						
43	2	172B04-03850	LABEL,RELAY BOX O CA	1	1						1
44	2	172B04-03860	LABEL, DPF CA	1	1						
45	2	172B04-03870	LABEL,LIFT CA	1	1						
46	2	172B04-03880	LABEL,RESERVOIR CA	1	1						
47	2	172B03-04530	LABEL,SILENCER CA	1	1						
48	2	172B03-04540	LABEL,SEAT TILT UP	1	1						
49	2	172B03-04550	LABEL,WARNING A/C CA	1	1						1

Remarks
 * DPF: DPF stands for DIESEL PARTICULATE FILTER.
 * Not applied for angle blade specification.
 (1)Cabin specification.

Fig.158. LABEL KIT(FOR CANADA)(OPTIONAL)

(A)=VIO45-6A P(US)
 (B)=VIO45-6A C(US)
 (C)=

(D)=
 (E)=
 (F)=



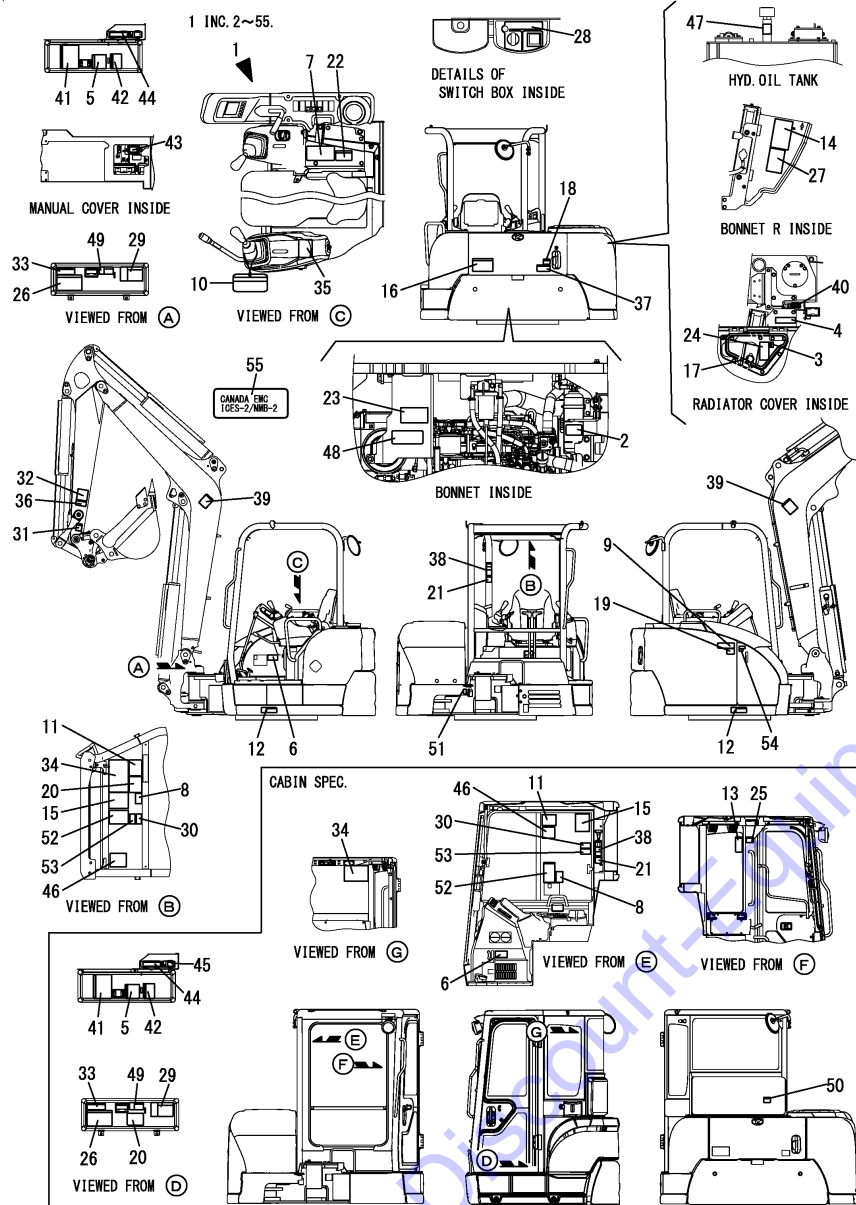
No.	Lev.	Parts No.	Description	Q'ty						I	R
				(A)	(B)	(C)	(D)	(E)	(F)		
50	2	172B03-04580	LABEL, GREASE CA	1	1						
51	2	172B03-04600	LABEL, WARNING HITCH	1	1						
52	2	172B03-04610	LABEL, SAND CA	1	1						
53	2	129942-07761	LABEL, FUEL OIL CAUT	1	1						
54	2	172B03-03230	LABEL, EMC	1	1						W
		(A)*2016.10.)	(B)*2016.10.)								

Remarks
 * DPF: DPF stands for DIESEL PARTICULATE FILTER.
 * Not applied for angle blade specification.
 (1)Cabin specification.

Fig.202. (158A)LABEL KIT(FOR CANADA)(ANGLE BLADE SPEC.)(OPTIONAL)

(A)=VIO45-6A P(US)
 (B)=VIO45-6A C(US)
 (C)=

(D)=
 (E)=
 (F)=



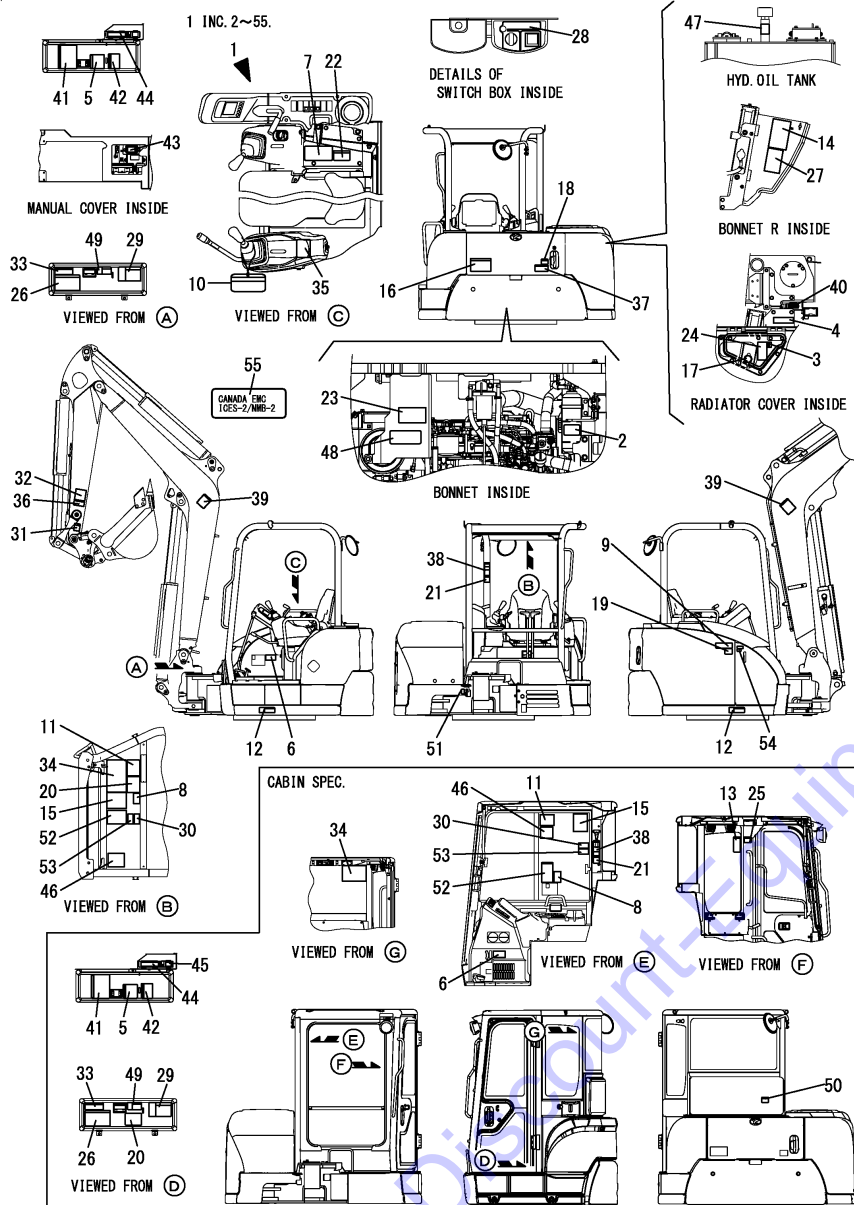
No.	Lev.	Parts No.	Description	Q'ty						I	R
				(A)	(B)	(C)	(D)	(E)	(F)		
1	1	172B04-03030	LABEL KIT,CA ANGLE	1	1						
2	2	172A37-03150	LABEL,SUB-TANK CA	1	1						
3	2	172A37-03160	LABEL,ANTI-FREEZE CA	1	1						
4	2	172A37-03180	LABEL J, AIR CLEANER	1	1						
5	2	172A37-03220	LABEL,ADJUST CRAWLER	1	1						
6	2	172A37-03231	LABEL,MANUAL CA.	1	1						
7	2	172A37-03241	LABEL,SLOPE CA.	1	1						
8	2	172A79-03240	LABEL,WARNING ANG CA	1	1						
9	2	172A37-03250	LABEL,RESERVOIR CA	1	1						
10	2	172469-03261	TAG,SERVICING ASSY	1	1						
11	2	172A37-03271	LABEL,TRANSPORT CA.	1	1						
12	2	172A37-03280	LABEL,GREASE CYL CA	2	2						
13	2	172478-03290	LABEL,F/W LOWER	1	1						1
14	2	172A37-03290	LABEL,BATTERY CA	1	1						
15	2	172A37-03300	LABEL,NEWTRAL CA	1	1						
16	2	172A37-03310	LABEL,SWING AREA CA	1	1						
16-1	2	172A64-03390	LABEL, SWING AREA CA	1	1						N
(A=*2017.08.) (B=*2017.08.)											
17	2	172469-03320	LABEL,RADIATOR CAP	1	1						
18	2	172A37-03330	LABEL,ENGINE COVER	1	1						
19	2	172469-03360	LABEL,OIL	1	1						
20	2	172A37-03360	LABEL,STERRING CA	1	1						
21	2	172A37-03370	LABEL,ROPS CA	1	1						
22	2	172A37-03400	LABEL,LEVER LOCK CA	1	1						
23	2	172A07-03410	LABEL,WATER DRAIN	1	1						
24	2	172A37-03410	LABEL,RADIATOR CA	1	1						
25	2	172A37-03420	LABEL,WINDOW CA	1	1						1
26	2	172A37-03430	LABEL,2 WAY CA	1	1						
27	2	172A69-03450	LABEL,BATTERY COVER	1	1						
28	2	172469-03480	LABEL,SWITCH	1	1						
29	2	172A37-03500	LABEL,SUPPORT CA	1	1						
30	2	172A37-03520	LABEL,PIN CA	1	1						
31	2	172A37-03530	LABEL,FINGER CA	1	1						
32	2	172469-03540	LABEL,OPERATION PIN	1	1						
33	2	172B04-03630	LABEL,SPEC US ANG CA	1	1						
34	2	172B04-03640	LABEL,LIFT ANGLE CA	1	1						
35	2	172A47-03651	LABEL,PTO CA	1	1						
36	2	172A37-03680	LABEL,LOCK PIN CA	1	1						
37	2	172A37-03710	LABEL,ENGROOM CA	1	1						
38	2	172A37-03720	LABEL,SEAT BELT CA	1	1						
39	2	172A37-03730	LABEL,BOOM CA	2	2						
40	2	172B04-03800	LABEL,FUSE CA	1	1						
41	2	172B04-03810	LABEL,OIL/WATER CA	1	1						
42	2	172B04-03820	LABEL,GREASING CA	1	1						
43	2	172B04-03830	LABEL,FUSE BOX CA	1	1						
44	2	172B04-03840	LABEL,RELAY BOX S CA	1	1						
45	2	172B04-03850	LABEL,RELAY BOX O CA	1	1						1
46	2	172B04-03860	LABEL, DPF CA	1	1						
47	2	172B04-03880	LABEL,RESERVOIR CA	1	1						
48	2	172B03-04530	LABEL,SILENCER CA	1	1						
49	2	172B03-04540	LABEL,SEAT TILT UP	1	1						

Remarks
 * Exclusive figure for angle blade specification.
 * DPF: DPF stands for DIESEL PARTICULATE FILTER.
 (1)Cabin specification.

Fig.202. (158A)LABEL KIT(FOR CANADA)(ANGLE BLADE SPEC.)(OPTIONAL)

(A)=VIO45-6A P(US)
 (B)=VIO45-6A C(US)
 (C)=

(D)=
 (E)=
 (F)=



No.	Lev.	Parts No.	Description	Q'ty						I	R
				(A)	(B)	(C)	(D)	(E)	(F)		
50	2	172B03-04550	LABEL,WARNING A/C CA	1	1						1
51	2	172B03-04580	LABEL, GREASE CA	1	1						
52	2	172B03-04600	LABEL,WARNING HITCH	1	1						
53	2	172B03-04610	LABEL,SAND CA	1	1						
54	2	129942-07761	LABEL, FUEL OIL CAUT	1	1						
55	2	172B03-03230	LABEL,EMC	1	1						W

(A)=*2016.10.) (B)=*2016.10.)

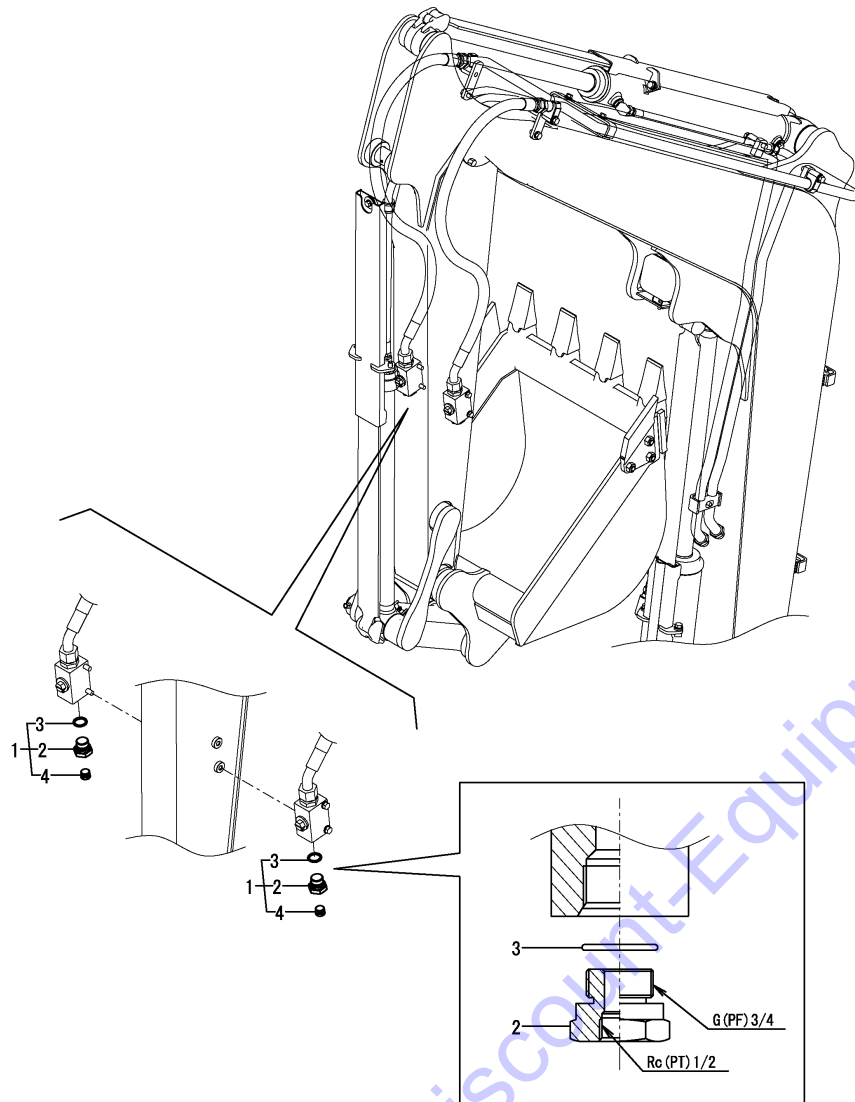
Remarks

- * Exclusive figure for angle blade specification.
- * DPF: DPF stands for DIESEL PARTICULATE FILTER.
- (1)Cabin specification.

Fig.166. P.T.O. STOP VALVE CONNECTER KIT(OPTIONAL)

(A)=V1O45-6A P(US)
 (B)=V1O45-6A C(US)
 (C)=

(D)=
 (E)=
 (F)=



No.	Lev.	Parts No.	Description	Q'ty						I	R
				(A)	(B)	(C)	(D)	(E)	(F)		
1	1	172B04-08740	FITTING SET,STOP V	2	2						1
2	2	172B04-76930	CONNECTOR,G3/4-R1/2	2	2						
3	2	41851-000240	O-RING	2	2						
4	2	23871-040000	PLUG, R04	1	1						W
		(A=*2014.03)	(B=*2014.03)								

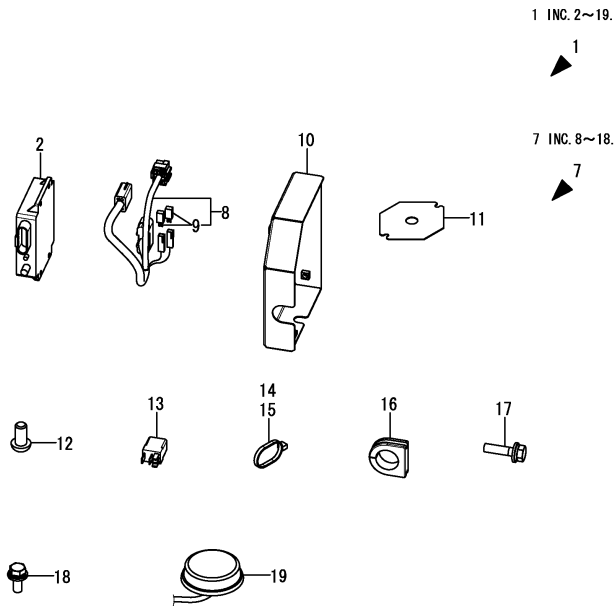
Remarks

(1)The cap diameter of the installation device is for R(PT)1/2.

Fig.167. REMOTE CONTROLLER KIT(OPTIONAL)

(A)=VIO45-6A P(US)
 (B)=VIO45-6A C(US)
 (C)=

(D)=
 (E)=
 (F)=



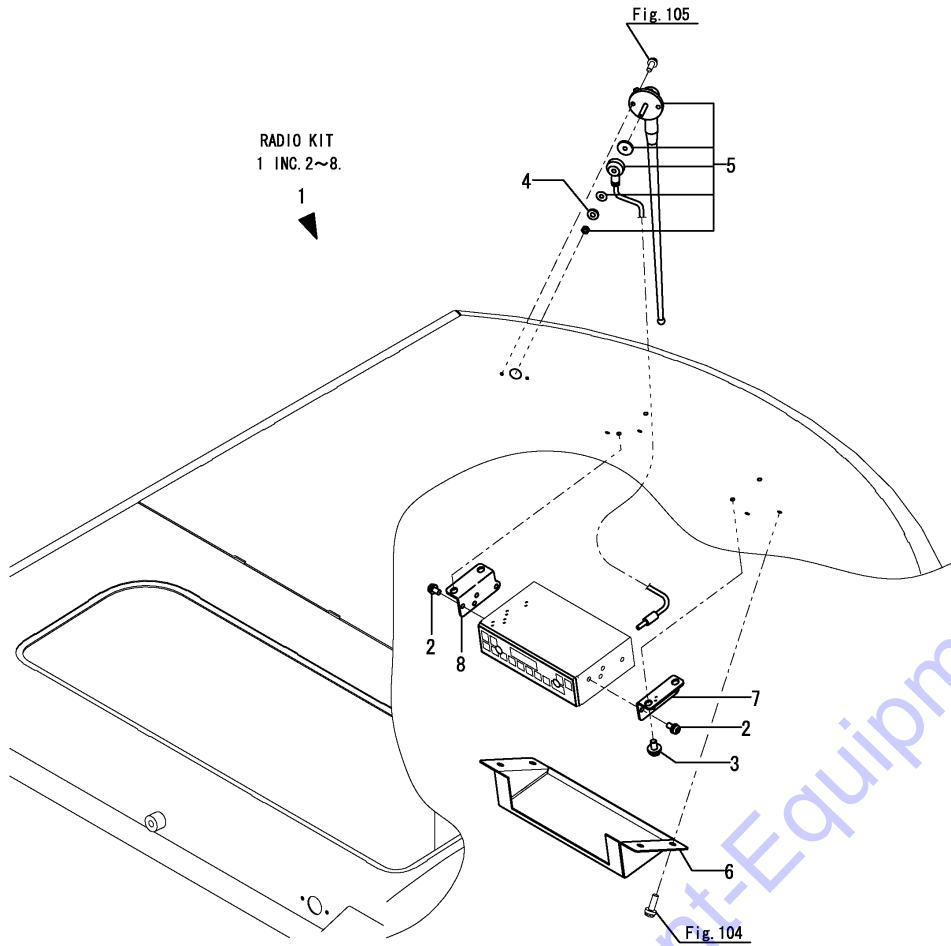
No.	Lev.	Parts No.	Description	Q'ty						I	R
				(A)	(B)	(C)	(D)	(E)	(F)		
1	1	172B04-08310	CONTROLLER KIT,RM EX	1	1						1
2	2	1RF001-00022	CONTROLLER,MOBILE,O	1	1						1
7	2	172B04-16000	PARTS ASSY, GPS	1	1						
8	3	172B04-16620	HARNES ASSY,GPS	1	1						
9	4	1E8235-84910	DIODE, 090 31	2	2						
10	3	172B04-17800	COVER ASSY,GPS	1	1						
11	3	172B03-17980	PLATE, ANTENNA	1	1						
12	3	172186-45840	BOLT	5	5						
13	3	1A7522-52950	RELAY, ACM13221M19	1	1						
14	3	194202-56460	BAND, 200	8	8						
15	3	194202-56460	BAND, 200	2	2						
16	3	172165-62800	GROMMET	1	1						
17	3	26014-060162	BOLT, M6X 16	4	4						
18	3	26014-060162	BOLT, M6X 16	2	2						
19	2	172B11-16590	ANTENNA ASSY,MOBILE	1	1						

Remarks
 (1)To install proper information, go to an authorized distributor.
 Note : Carrier registration is required when replacing this part.
 * For more information, contact the service department of the dealer you purchased from.
 Note : Registration is required when replacing this part.
 * For more information, contact the service department of the dealer you purchased from.

Fig.168. RADIO KIT(OPTIONAL)NO RADIO

(A)=VIO45-6A P(US)
 (B)=VIO45-6A C(US)
 (C)=

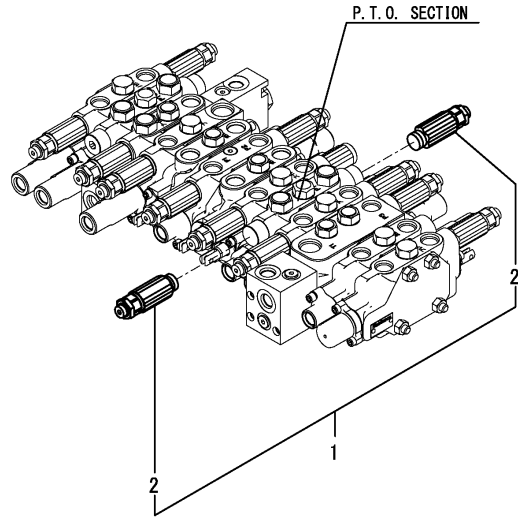
(D)=
 (E)=
 (F)=



No.	Lev.	Parts No.	Description	Q'ty						I	R	
				(A)	(B)	(C)	(D)	(E)	(F)			
1	1	172B02-08180	RADIO KIT, ANTENNA		1							
2	2	172B02-67010	SCREW, SEMS 5X10		4							
3	2	172B02-67160	BOLT, SEMS 6X16		4							
4	2	172B02-67550	WASHER, 6		1							
5	2	172B02-67900	ANTENNA, RADIO		1							
6	2	172B02-67920	COVER, RADIO		1							
7	2	172B02-67930	BRACKET, RADIO L		1							
8	2	172B02-67940	BRACKET, RADIO R		1							

Go to Discount-Equipment.com to order your parts

Fig.169. P.T.O. OVER LOAD VALVE KIT(OPTIONAL)



(A)=V1O45-6A P(US)
 (B)=V1O45-6A C(US)
 (C)=

(D)=
 (E)=
 (F)=

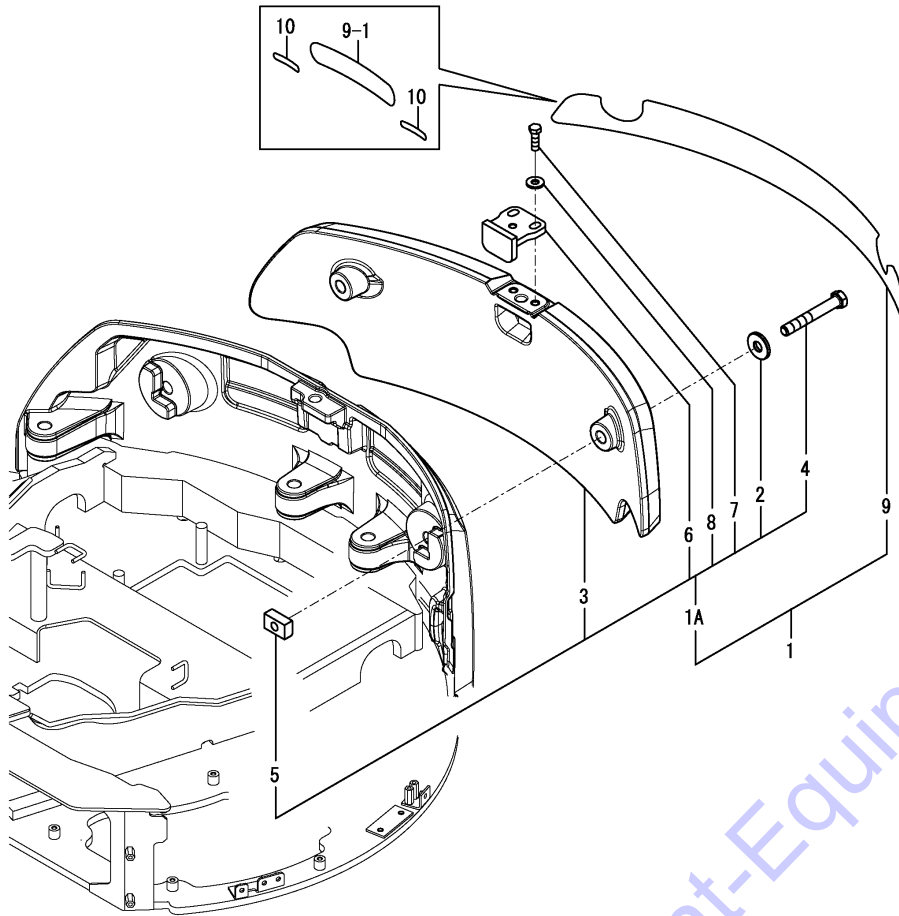
No.	Lev.	Parts No.	Description	Q'ty						I	R
				(A)	(B)	(C)	(D)	(E)	(F)		
1	1	172B03-08590	VALVE ASSY,PTO O L	1	1						
2	2	172A47-75480	VALVE ASSY, OVERLOAD	2	2						

Go to Discount-Equipment.com to order your parts

Fig.170. ADDITIONAL WEIGHT KIT(OPTIONAL)(TO MBF191)

(A)=VIO45-6A P(US)
 (B)=VIO45-6A C(US)
 (C)=

(D)=
 (E)=
 (F)=



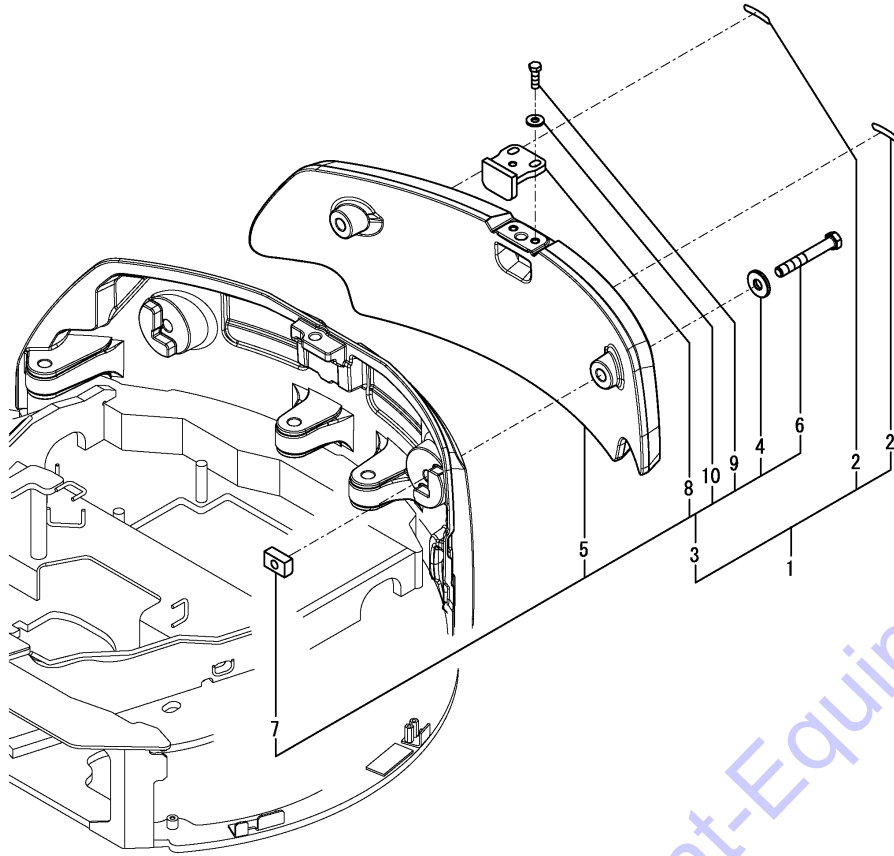
No.	Lev.	Parts No.	Description	Q'ty						I	R
				(A)	(B)	(C)	(D)	(E)	(F)		
1	1	172B04-08680	WEIGHT KIT,ADD	1	1						
1-1	1	172B04-08681	WEIGHT KIT,ADD D	1	1						S
		(A=MAF001) (B=MAF001)									
1A	2	172B04-09200	WEIGHT ASSY, ADD	1	1						
2	3	172187-53321	WASHER	2	2						
3	3	172B04-53320	WEIGHT, ADD 195	1	1						
4	3	172455-53331	BOLT	2	2						
5	3	172A46-53360	NUT	2	2						
6	3	172B03-53410	BRACKET ASSY,WEIGHT	1	1						
7	3	26116-160502	BOLT, M16X 50 PLATED	2	2						
8	3	933147-08501	WASHER	2	2						
9	2	172B04-03160	LABEL,REAR 45 55	1	1						
9-1	2	172B04-04790	LABEL,REAR 45	1	1						S
		(A=MAF001) (B=MAF001)									
10	2	172B04-03980	LABEL, REFLECTOR M	2	2						W
		(A=MAF001) (B=MAF001)									

Go to Discount-Equipment.com to get your parts

Fig.209. (170A)ADDITIONAL WEIGHT KIT(OPTIONAL)(FROM MBF192)

(A)=VIO45-6A P(US)
 (B)=VIO45-6A C(US)
 (C)=

(D)=
 (E)=
 (F)=



No.	Lev.	Parts No.	Description	Q'ty						I	R
				(A)	(B)	(C)	(D)	(E)	(F)		
1	1	172B04-08880 (A=MBF192) (B=MBF192)	WEIGHT KIT,ADD EX D	1	1						W
2	2	172B04-03980	LABEL, REFLECTOR M	2	2						
3	2	172B04-09200	WEIGHT ASSY, ADD	1	1						
4	3	172187-53321	WASHER	2	2						
5	3	172B04-53320	WEIGHT, ADD 195	1	1						
6	3	172455-53331	BOLT	2	2						
7	3	172A46-53360	NUT	2	2						
8	3	172B03-53410	BRACKET ASSY,WEIGHT	1	1						
9	3	26116-160502	BOLT, M16X 50 PLATED	2	2						
10	3	933147-08501	WASHER	2	2						

Go to Discount-Equipment.com to order your parts

Parts No. Index

Parts No.	Fig. No.	Ref. No.
106990-44660	17	45
		46 -1
	18	21
114110-07761	1	15
	204	15
120147-44810	96	2
121120-13580	7	3
121250-49121	15	6
121256-44600-3	14	17
121450-44531	14	12
121470-44581	14	14
124450-44550	14	16
124450-44560	14	13
124766-59050	15	12
		13
	17	46
128300-77920	104	27
129107-44590	14	2
129242-55740	18	30
129612-52100	18	22
129927-44900	130	2
129927-77920	25	49
129942-07761	158	53
	202	54
129A00-55720	18	28
129A00-55730	18	29
129A00-55740	18	31
129A00-55750	18	25
129A00-55760	18	26
129A00-55770	18	32
129E00-55710	18	24
129E22-55700	18	23
171064-44510	14	10
171064-44520	14	11
172020-10620	153	2
	154	3
	201	17
172068-28490	203	2
		10
172110-45050	203	6
		14
172110-76170	150	1
172112-16201	19	6
172112-75780	130	19
172112-77361	113	42
	114	46
	115	46
	116	33
	139	10
	196	11

Parts No.	Fig. No.	Ref. No.
172112-77480	147	1
172112-83500	154	8
		9
	155	6
172112-86250	155	7
172112-87840	156	3
	157	3
	201	9
172116-76381	199	14
172122-17190	107	1
172122-46590	56	13
	57	20
172122-55061	16	15
172122-57620	68	2
172122-70350	110	5
	111	4
	112	4
172122-70410	120	7
172122-70460	120	8
172122-73430	120	29
172122-73470	120	41
172122-73480	110	23
		24
	111	21
		22
	112	22
		23
172122-79890	132	17
	150	9 -1
		14
172122-79930	15	22
	145	31
	150	9
	200	31
172122-79940	89	4
172123-76121	117	18
	134	3
	143	3
	144	3
	145	11
	149	4
	194	5
	197	3
	198	3
	199	9
	200	11
172124-17640	41	4
	47	4
172124-46200	56	11
	57	18

Parts No.	Fig. No.	Ref. No.
172124-46200	151	2
172124-46340-1	56	12
172124-57620	68	1 A
172124-57630	68	1 B
172124-70010	120	12
172124-70030	120	13
172124-70051	120	14
172124-76160	133	11
	139	9
	193	11
	196	9
172124-94310-5	156	9
	157	5
	201	15
172125-03951	2	12
	71	6 C
172125-81280	151	4
	154	1
172126-11510	18	1
		42
	19	16
	25	1
		2
		3
		4
	31	1
	41	1
	47	1
	131	7
	135	14
	136	9
	145	14
		15
	177	1
	200	14
		15
172126-16540	18	20
	25	21
172126-73400	121	7
172137-16560	25	22
	30	3
	41	2
	42	3
	44	1
		1 -1
172137-46042	11	10
		11
	12	10
		11
172137-46210	28	17

Parts No.	Fig. No.	Ref. No.
172137-46210	81	2
		3
		4
	82	1
		2
		3
	83	1
		2
		3
	89	2
172137-66230	69	11
		16
172137-73700	130	3
172137-73710	130	7
172137-76100	145	4
	199	7
	200	4
172137-76580	150	4
172141-17150	32	2
	33	2
	34	2
172141-41340	56	1
172141-41360	57	9
	61	2
		7
	178	3
		8
172141-41370	56	3
		6
	57	3
	63	3
172141-50890	64	4
172141-65330	84	20
172141-72580	148	2
172141-73770	130	6
172141-75430-5	130	16
172141-76090	141	7
172141-76220	138	5
	195	1
	199	12
172141-76900	113	40
	114	44
	115	44
172141-76920	133	20
	193	20
172141-76990	195	4
172141-84601	151	24
172142-62301	6	5
	16	17
172142-76181	118	18

Parts No. Index

Parts No.	Fig. No.	Ref. No.
172142-76181	119	18
	132	5
	179	18
172142-76240	142	2
172142-76940-Y	142	11
172147-70020	120	34
172147-70111	120	15
172147-70120	120	16
172147-70210	120	17
172147-70361	120	4
172147-70371	120	5
172147-70390	120	6
172147-70500	120	9
		19
		50
172147-70540	120	10
172147-82140	153	13
172148-70301	110	4
	111	3
	112	3
172148-70340	120	3
172151-73400	125	2
	126	2
172151-73420	125	3
	126	3
172151-73450	125	4
	126	4
172151-76050	145	3
	199	6
	200	3
172151-81611-W	173	4
		20
172156-61320	42	15
172156-65690	70	9
172157-45990	57	17
172157-58830	127	1
	190	1
172162-13170	11	6
	12	6
172162-13190	11	7
	12	7
172162-13200	11	8
	12	8
172162-14200	17	22
172162-61500	73	3
172162-61850	27	7
172162-68370	80	7
172162-70290	120	18
172162-76131	199	10
172162-76181	134	6

Parts No.	Fig. No.	Ref. No.
172162-76181	194	8
172162-76850	142	10
172162-83540	113	47
172162-83550	113	48
172162-83560	153	16
172162-83570	153	17
172164-16370	19	7
172164-37351	52	2
172164-66640	84	22
172164-76131	133	7
	193	7
172164-81670	113	59
	153	5
	154	10
	156	2
	157	2
	201	2
		3
		4
172165-13270-2	11	9
	12	9
172165-18630	42	8
172165-18670	42	9
172165-46340	57	19
172165-47550	63	12
172165-62800	25	46
		47
	167	16
172165-62830	84	38
		39
172165-71200	109	5
172165-76220	141	13
172165-76860	110	62
	111	63
	112	64
172165-82520	113	45
	153	14
	154	13
172165-82530	113	46
	153	15
	154	14
172165-82550	151	5
		6
	154	15
	155	8
	172	3
172165-82560	151	7
		8
	154	16
	155	9

Parts No.	Fig. No.	Ref. No.
172165-82560	172	4
172165-82570	155	11
172165-82580	117	24
	201	6
172165-82590	117	25
	201	7
172165-82600	117	26
	201	8
172168-76370	130	21
172168-81410	154	5
		6
	155	4
	156	6
	157	8
	201	12
172171-81270	151	3
172173-74280	159	15
	161	7
	183	26
	185	7
172173-76102	139	1
	145	6
	194	3
	196	1
	200	6
172173-76121	139	3
	180	22
	196	3
172175-73700	130	4
172175-73710	130	5
172175-81700	153	6
	201	5
172175-81710	153	7
172176-07330	6	10
172176-68210	94	2
		2 -1
	153	30
172176-73240	110	7
	111	6
	112	6
172176-73271	110	31
	111	29
	112	30
172176-73290	110	10
	111	9
	112	9
172176-73471	110	32
	111	30
	112	31
172176-73540	110	26

Parts No.	Fig. No.	Ref. No.
172176-73540	111	24
	112	25
172176-73560	110	27
	111	25
	112	26
172176-73590	110	28
	111	26
	112	27
172176-73600	110	29
	111	27
	112	28
172176-73690	110	47
	111	47
	112	48
172176-73880	110	55
	111	56
	112	57
172176-73910	110	56
	111	57
	112	58
172176-73930	110	57
	111	58
	112	59
172176-73940	110	58
	111	59
	112	60
172176-81640	172	2
172183-03280	3	9
	4	10
	174	11
	175	14
	205	9
	206	11
	207	10
	208	14
172183-16560	41	3
	145	16
	200	16
172183-65530	84	21
172183-76200	134	10
	194	12
	199	11
172183-76210	45	12
172183-81160	25	66
	117	19
		20
	153	28
		31
	154	22
172186-13660	92	2

Parts No. Index

Parts No.	Fig. No.	Ref. No.
172186-45840	167	12
172186-76390	143	8
	144	8
	197	8
	198	8
172186-76410	118	20
	119	20
	179	20
172187-16150	19	4
172187-45651	57	13
172187-45760	57	14
	59	1
172187-45870	56	9
172187-45880	56	10
172187-53321	66	4
	170	2
	209	4
172187-61421	85	2
	103	2
172187-64900	28	18
	84	19
172187-66330	71	6
172187-75500	130	18
172187-76180	130	20
172187-76520	142	8
172187-76690-Y	142	9
172187-78580	25	67
		68
172187-81970	153	11
		12
172312-74790	110	46
	111	44
	112	45
	120	72
172312-76240	195	2
172312-76250	195	3
172312-77820	147	8
172422-76140	134	4
	194	6
172423-50810-3	65	1
172423-73330	120	21
172423-73370	120	23
172423-73410	120	28
172423-73470	120	42
172423-73480	120	44
172423-73510	120	48
172423-76120	122	3
172423-94211	156	8
	157	4
	201	14

Parts No.	Fig. No.	Ref. No.
172425-17630	47	3
172425-73520	121	30
172425-73530	121	11
172434-61170	74	5
172434-61200	6	4
172437-03242	3	3
	4	4
	174	8
	175	9
	205	3
	206	8
	207	4
	208	9
172437-03252	3	8
	4	9
	174	9
	175	11
	205	8
	206	9
	207	9
	208	11
172437-03302	3	10
	4	11
	82	13 A
	83	13 A
	84	22 A
	174	12
	175	16
	205	10
	206	12
	207	11
	208	16
172437-03312	3	11
	4	12
	85	5 A
	174	13
	175	17
	205	11
	206	13
	207	12
	208	17
172437-03322	1	6
	93	16 A
	204	6
172437-03343	3	12
	4	13
	94	1 B
	102	50 A
	174	14
	175	19

Parts No.	Fig. No.	Ref. No.
172437-03343	205	12
	206	14
	207	13
	208	19
172437-03352	1	7
	74	5 A
	75	5 A
	204	7
172437-03361	2	8
	16	14 B
172437-03372	3	14
	4	15
	94	1 C
	102	50 B
	174	16
	175	22
	205	14
	206	16
	207	15
	208	22
172437-03381	1	8
	90	8 A
	204	8
172437-03391	2	9
	71	6 B
172437-03402	1	9
	90	8 B
	204	9
172437-03432	3	17
	4	18
	85	18 C
	94	1 D
	174	21
	175	28
	205	17
	206	21
	207	18
	208	28
172437-03441	3	23
	4	26
	94	1 G
	105	45 B
	174	23
	175	30
	205	23
	206	23
	207	26
	208	30
172437-03451	3	20
	4	21

Parts No.	Fig. No.	Ref. No.
172437-03451	94	1 E
	105	45 A
	174	25
	175	32
	205	20
	206	25
	207	21
	208	32
172437-03461	1	11
	153	4 A
	204	11
172437-03471	3	21
	4	22
	85	5 B
	174	26
	175	33
	205	21
	206	26
	207	22
	208	33
172437-03501	1	13
	204	13
172437-03511	1	14
		14 -1
	204	14
		14 -1
172437-03551	4	27
	97	3 A
	175	34
	207	27
	208	34
172437-03601	3	26
	4	33
	85	18 D
	174	27
	175	35
	205	26
	206	27
	207	33
	208	35
172437-03610	2	13
172437-03620	2	14
172437-74711	127	5
	190	5
172437-74720	127	6
	190	6
172438-76460	130	22
172441-44320	62	1
172444-13210	15	4
172444-13220	15	5

Parts No. Index

Parts No.	Fig. No.	Ref. No.
172444-14200	17	5
172444-14410	17	39
172444-14450	17	6
172444-14460	17	7
172444-14470	17	8
172444-14480	17	9
172444-14490	17	10
172444-17620	75	2
172444-17660	81	1
	84	37
	97	4
	153	27
		29
	154	21
172444-65190	70	18
172445-18131	42	5
172445-18960	42	13
172445-57600	68	1
172445-76153	134	5
	194	7
172445-81360	154	4
	201	18
172446-14250	131	8
172446-75250	130	14 -1
172447-14160	17	4
172447-14330	13	6
172447-74230	162	3
	186	3
172448-65490	69	21
		22
172448-82570	173	10
		16
172448-82580	173	12
		18
172448-82590	173	13
		19
172448-82950	173	9
		15
172448-82960	173	11
		17
172452-73480	110	25
		45
	111	23
		43
	112	24
		44
172455-17930	39	1
	45	1
172455-29140	49	2
	120	1

Parts No.	Fig. No.	Ref. No.
172455-46890	63	11
172455-53331	66	5
	170	4
	209	6
172455-57650	68	3
172455-61710	86	1
172455-75270	130	9
172455-75280	130	10
172455-75290	130	11
172455-75300	130	12
172455-75310	130	13
172455-76220	145	12
	200	12
172455-79140	141	24
172455-79180	141	25
172455-81380	152	2
172455-83480	152	9
172456-53700	27	5
	66	6
172456-61480	13	7
172456-74440	160	15
	184	15
172457-73570	110	33
	111	31
	112	32
172458-03240	5	4
172458-14203	17	11
172458-14340	17	35
172458-14370	17	24
172458-17700	48	1
172458-18850	85	4
172458-45230-1	57	5
172458-45510-1	58	1
172458-45521-1	57	11
172458-45540-1	57	12
172458-46720	141	20
172458-50480-2	64	2
172458-61510	13	8
172458-63641	145	17
	200	17
172458-63650	85	20
172458-65070	85	15 -1
172458-73830	120	71
172458-74130	161	20
	162	5
		18
	165	3
	185	20
	186	5
		18

Parts No.	Fig. No.	Ref. No.
172458-74130	189	3
172458-74140	161	21
	162	6
		19
	165	4
	185	21
	186	6
		19
	189	4
172458-74150	159	9
	160	4
	162	7
	163	4
	164	2
	165	5
	183	20
	184	4
	186	7
	187	4
	188	2
	189	5
172458-74160	159	10
	160	5
	162	8
	163	5
	164	3
	165	6
	183	21
	184	5
	186	8
	187	5
	188	3
	189	6
172458-74170	161	22
	162	9
		20
	165	8
	185	22
	186	9
		20
172458-74230	159	11
		24
	160	6
	161	5
	163	6
		16
	164	6
		16
	183	3
		22

Parts No.	Fig. No.	Ref. No.
172458-74230	184	6
	185	5
	187	6
		16
	188	6
		16
	189	7
172458-74240	159	12
		25
	160	7
	163	7
		17
	164	7
	183	4
		23
	184	7
	187	7
		17
	188	7
172458-74250	159	13
		26
	160	8
	163	8
		18
	164	8
		18
	183	5
		24
	184	8
	187	8
		18
	188	8
		18
172458-74260	159	14
		27
	160	9
	161	6
	163	10
		19
	164	9
		20
	183	6
		25
	184	9
	185	6
	187	10
		19
	188	9
		20
172458-74290	160	18

Parts No. Index

Parts No.	Fig. No.	Ref. No.	
172458-74290	161	23	
	162	21	
	164	22	
	184	18	
	185	23	
	186	21	
	188	22	
	172458-74360	160	19
		161	25
162		23	
164		23	
184		19	
185		25	
186		23	
188		23	
172458-74530		161	13
	185	13	
172458-74540	161	14	
	185	14	
172458-74550	161	15	
	185	15	
172458-74630	159	18	
	160	12	
	162	12	
	163	12	
	164	10	
	165	10	
	183	29	
	184	12	
	186	12	
	187	12	
	188	10	
	189	13	
	172458-74640	160	25
161		27	
162		25	
164		24	
184		25	
185		27	
186		25	
188		24	
172458-74670		161	16
		164	25
		185	16
		188	25
172458-74720		159	1
	183	33	
172458-76150	143	4	
	144	4	
172458-78571	145	18	

Parts No.	Fig. No.	Ref. No.
172458-78571	200	18
172460-38560	53	13
		21
172460-61121	73	2
172460-73240	110	8
	111	7
	112	7
	121	32
172460-73320	121	32
172460-73330	110	11
	111	10
	112	10
172460-73350	110	12
	111	11
	112	11
	110	13
172460-73360	111	12
	112	12
	110	14
172460-73370	111	13
	112	13
172460-73390	110	16
	111	15
	112	15
172460-73420	110	17
	111	16
	112	16
172460-73431	111	17
172460-73511	120	31
172460-73531	120	32
172460-73551	120	52
172460-73570	120	54
172460-73590	120	55
172460-73631	120	37
172460-73780	121	13
172460-73900	110	19
	111	18
	112	18
172460-73910	110	20
	111	19
	112	19
172460-73920	110	21
	112	20
172460-81400	153	4
172460-82350-Y	155	1
172460-82360-Y	155	2
172460-82380-Y	155	3
172460-82561	155	10
172460-82591	155	12
172461-13140	11	4
	12	4

Parts No.	Fig. No.	Ref. No.
172461-73132	110	6
	111	5
	112	5
172461-73270	110	9
	111	8
	112	8
	121	12
172461-73770	121	12
172462-03320	2	6
172463-03290	1	5
	204	5
172463-03320	4	25
	175	18
	207	25
	208	18
172469-03261	158	10
	202	10
172469-03320	158	17
	202	17
172469-03360	158	19
	202	19
	158	28
172469-03480	202	28
	158	32
172469-03540	202	32
	3	5
172472-03141	4	6
	85	18 A
	174	3
	175	3
	205	5
	206	3
	207	6
	208	3
172472-03230	5	3
172472-03241	5	5
	94	1 A
	102	50 C
172472-03261	5	6
	154	9 A
	28	2
172472-03290	28	3
172472-03300	5	7
	154	9 B
172472-03330	96	1
	158	13
172472-17611	202	13
172478-03290	26	1
172478-17201	52	1
172478-37501	52	3
172478-37511	52	3
172478-37521	52	4

Parts No.	Fig. No.	Ref. No.
172478-37540	52	5
172478-37550	52	6
172490-37320	51	10
	212	11
172490-74310	159	28
	163	21
	183	8
172490-74320	187	21
	159	29
	163	23
	183	9
172490-74330	187	23
	159	30
	163	24
172491-62830	183	10
	187	24
	84	40
172499-70180	159	8
	161	4
172499-74860	183	19
	185	4
	164	26
	188	26
172519-63240	25	48
	62	4
		5
	80	4
	4	-1
	5	5
172527-68980	103	15
172531-74710	189	14
172534-76760	141	14
172538-17100	32	1
	33	1
	34	1
172538-61250	93	5
172538-66510	96	3
172538-68450	78	14
172544-16060	132	16
172638-76190	196	10
172648-16600	104	23 -1A
172823-45940	57	16
172828-76330	199	13
172845-16640	211	1
172958-03160	5	2
172958-07330	6	10 -1
	210	6
172958-17102	28	4
172958-17111	28	1
172958-17121	151	1

Parts No. Index

Parts No.	Fig. No.	Ref. No.
172958-17140	28	7
172958-17150	28	8
172958-17160	28	9
172958-17170	28	10
172958-17180	28	11
172958-17190	28	12
172958-17200	28	13
172958-17210	28	14
172958-17220	28	15
172958-17230	28	14 -1
172958-17400	28	4 -1
172958-17410	28	1 -1
172958-72950	148	14
172958-72960	148	15
172958-72983-N	148	24
172958-76130	149	5
172958-78120	149	7
172958-78160	149	8
172958-83140	151	13
172958-83171-Y	151	16
172958-83330	151	23
172960-72800-N	148	1
172960-72810-N	148	3
172960-72860	148	6
172960-72880	148	9
172960-72890	148	12
172960-72900	148	13
172960-72920	148	11
172960-72950	148	5
172960-72960	148	16
172960-72970	148	21
172960-73431	110	18
	112	17
172960-76100-Y	149	3
172960-81600	172	1
172960-81953-Y	149	11
172960-83102-Y	151	9
172960-83113-Y	151	10
172960-83121	151	11
172960-83131	151	12
172960-83141	151	14
172960-83152	151	15
172960-83170	172	5
172960-83192	151	17
172960-83210	151	18
172960-83252-Y	151	19
172960-83282	151	20
172960-83292-Y	151	21
172960-83312-Y	151	22
172A07-03160	2	2

Parts No.	Fig. No.	Ref. No.
172A07-03410	158	23
	202	23
172A21-13100	67	1
172A23-70120	180	14
		19
172A23-72043	113	3
	114	2
	115	2
	116	2
172A23-72052	113	4
	114	3
	115	3
	116	3
172A23-72081	113	6
	114	5
	115	5
	116	5
172A25-68301-2	106	1
172A25-68500	106	2
172A27-72951-N	114	43
	115	43
172A36-03411	1	10
	90	8 C
	204	10
172A36-74750	127	7
	190	7
172A36-74780	127	8
	190	8
172A37-03150	158	3
	202	2
172A37-03160	158	4
	202	3
172A37-03180	158	5
	202	4
172A37-03220	158	6
	202	5
172A37-03231	158	7
	202	6
172A37-03241	158	8
	202	7
172A37-03250	158	9
	202	9
172A37-03271	158	11
	202	11
172A37-03280	158	12
	202	12
172A37-03290	158	14
	202	14
172A37-03300	158	15
	202	15

Parts No.	Fig. No.	Ref. No.
172A37-03310	158	16
	202	16
172A37-03330	158	18
	202	18
172A37-03360	158	20
	202	20
172A37-03370	158	21
	202	21
172A37-03400	158	22
	202	22
172A37-03410	158	24
	202	24
172A37-03420	158	25
	202	25
172A37-03430	158	26
	202	26
172A37-03500	158	29
	202	29
172A37-03520	158	30
	202	30
172A37-03530	158	31
	202	31
172A37-03680	158	34
	202	36
172A37-03710	158	35
	202	37
172A37-03720	158	36
	202	38
172A37-03730	158	37
	202	39
172A38-03201	2	3
	14	15 A
172A38-03211	2	4
	71	6 A
172A46-13780	90	4
172A46-46500	62	2
172A46-46530	62	3
172A46-53360	170	5
	209	7
172A46-72070	113	5
	114	4
	115	4
	116	4
172A47-03371	3	25
	4	32
	174	17
	175	23
	205	25
	206	17
	207	32

Parts No.	Fig. No.	Ref. No.
172A47-03371	208	23
172A47-03651	158	33
	202	35
172A47-11200	42	2
172A47-14220	15	8
172A47-14520	17	40
172A47-65550	91	4
	210	4
172A47-68860	107	2
172A47-68870	107	3
172A47-68880	107	4
172A47-68890	107	5
172A47-72840	113	39
	114	42
	115	42
	116	31
172A47-72881-N	116	32
172A47-73310	120	20
172A47-73320	120	51
172A47-74121	141	1
172A47-74260	164	21
	188	21
172A47-74270	160	17
	184	17
172A47-74350	161	8
	185	8
172A47-74360	161	9
	185	9
172A47-74370	161	10
	185	10
172A47-74380	161	11
	185	11
172A47-74460	160	20
	184	20
172A47-74560	160	22
	184	22
172A47-74570	160	23
	184	23
172A47-74580	160	24
	184	24
172A47-74770	128	12
172A47-74920	160	26
	184	26
172A47-74930	160	27
	184	27
172A47-74950	159	19
	164	27
	183	30
	188	27
172A47-74970	159	20

Parts No. Index

Parts No.	Fig. No.	Ref. No.
172A47-74970	183	31
172A47-74980	161	17
	185	17
172A47-75450	159	2
	183	34
172A47-75460	159	36
	163	28
	183	15
	187	28
172A47-75480	165	15
	169	2
	189	18
172A47-75620	159	33
	160	28
	163	25
	183	12
	184	28
	187	25
172A47-75680	160	29
	164	28
	184	29
	188	28
172A47-75690	160	30
	184	30
172A47-75720	164	29
	188	29
172A47-76111	26	2
172A47-76151	131	3
172A47-76180	134	8
	194	10
172A47-76270	134	25
172A47-76280	134	26
172A47-76290	134	11
	194	13
172A47-76310	134	13
	194	15
172A47-76460	140	11
172A47-77820	147	2
		9
172A47-81921	153	10
172A47-81980	117	22
172A48-74200	159	6
	160	2
	162	2
	163	2
	183	17
	184	2
	186	2
	187	2
172A48-74210	161	2

Parts No.	Fig. No.	Ref. No.
172A48-74210	185	2
172A52-76110	132	3
172A64-03380	204	8 -1
172A64-03390	158	16 -1
	202	16 -1
172A64-17250	25	28
172A64-64910	85	15
172A64-64940	71	5
172A64-65160	43	4
172A64-74590	125	5
	126	5
172A64-74600	125	7
	126	7
172A64-74610	125	8
	126	8
172A64-74620	125	9
	126	9
172A64-74630	125	10
	126	10
172A64-74640	125	11
	126	11
172A64-74650	125	12
	126	12
172A64-74660	125	17
	126	13
172A64-74670	125	15
172A64-74680	125	18
	126	14
172A64-74900	125	19
	126	17
172A64-74930	125	20
	126	18
172A65-03230	1	4
172A65-13290	48	5
172A65-76790	15	19
		21
172A69-03220	3	7
	4	8
	174	5
	175	6
	205	7
	206	5
	207	8
	208	6
172A69-03350	2	7
	16	14 A
172A69-03450	158	27
	202	27
172A69-12100	10	1
172A69-12120	10	7

Parts No.	Fig. No.	Ref. No.
172A69-13150	11	5
	12	5
172A69-13680	16	13
172A69-13690	16	5
172A69-14230	17	33
172A69-14240	17	12
		13
172A69-16700	17	26
172A69-17260	25	32
172A69-46270	63	7
172A69-62130	71	7
172A69-62280	70	5
172A69-62510	70	8
172A69-76410	142	5
172A69-76440-Y	142	6
172A77-46050	63	1
172A78-74330	162	10
	186	10
172A78-74360	159	31
172A78-74370	159	16
	183	27
172A78-74450	161	3
	185	3
172A78-74490	159	23
172A78-74590	159	22
172A78-74650	125	22
	126	20
172A79-03150	3	24
	4	31
172A79-03220	94	1 J
	102	50 F
	174	6
	175	7
	206	6
	208	7
172A79-03240	202	8
172A79-57660	68	4
172A79-72240	156	5
	157	7
	201	11
172A79-72570	12	12
	113	38
	114	41
	115	41
	116	30
172A79-72700	114	34
	115	32
172A79-72710	114	35
	115	33
172A79-72720	114	36

Parts No.	Fig. No.	Ref. No.
172A79-72720	115	34
172A79-72730	114	37
	115	35
172A79-72740	114	38
	115	36
172A79-72760	113	35
	114	39
	115	37
172A79-72870	113	26
	114	30
	115	28
	116	23
	117	7
	180	11
172A79-72920	114	16
		27
	115	25
		39
172A79-72970	113	15
	114	19
	115	17
172A79-72980	113	16
	114	20
	115	18
172A79-73700	181	1
172A79-73710	181	2
172A79-73720	181	3
172A79-73790	181	4
172A79-74240	161	1
	185	1
172A79-76110	26	4
172A79-76140	197	4
	198	4
172A79-78220	196	15
172A79-94800	201	20
172A79-94810	201	21
172A79-94820	201	22
172A79-95101	201	23
172A79-95301	201	24
172A81-37380	212	7
172A86-03820	204	3 -1
172A86-03830	204	4
172A86-74500	199	1
172A89-13310	14	1
172A89-13550	13	4
172A89-13560	13	5
172A89-17180	25	27
172A89-64740	87	11
172A89-64780	87	12
172A89-64790	87	13

Parts No. Index

Parts No.	Fig. No.	Ref. No.
172A89-64800	87	14
172A89-64810	87	15
172A89-64820	87	16
172A89-64830	87	17
172A89-64840	87	18
172A89-64850	87	19
172A89-64860	87	20
172A89-64870	87	21
172A89-64880	87	22
172A89-64890	87	23
172A89-64900	87	24
172A89-64910	87	25
172A89-64920	87	26
172A89-64950	87	5
172B02-08180	168	1
172B02-17150	177	3
172B02-17160	104	29 -1
172B02-64210	87	2
172B02-64250	87	9
172B02-64260	87	10
172B02-64270	87	2 A
172B02-64800	86	3
	87	1
172B02-65350	90	14
172B02-67010	168	2
172B02-67020	101	2
172B02-67040	104	2
172B02-67060	102	2
172B02-67080	105	2
172B02-67090	105	3
172B02-67100	98	2
172B02-67120	102	3
	104	3
172B02-67130	105	4
172B02-67140	102	4
172B02-67150	99	6
	104	4
172B02-67160	98	3
	99	7
		8
	103	7
	168	3
172B02-67170	103	8
172B02-67180	98	4
172B02-67190	104	5
172B02-67200	101	3
	103	9
		10
	104	6
		7

Parts No.	Fig. No.	Ref. No.
172B02-67200	105	5
172B02-67210	98	5
172B02-67230	103	11
172B02-67240	105	6
		7
		8
		9
172B02-67250	100	2
	102	5
172B02-67260	100	3
172B02-67280	100	4
		5
		6
		10
		17
172B02-67290	104	8
172B02-67300	104	9
172B02-67310	104	10
		11
172B02-67320	105	10
172B02-67340	105	11
172B02-67350	99	9
172B02-67360	105	12
172B02-67380	101	4
		5
172B02-67390	98	6
172B02-67400	99	10
172B02-67410	98	7
172B02-67430	98	8
	99	11
	100	7
	103	12
172B02-67440	98	9
172B02-67500	99	12
172B02-67520	100	8
	103	13
172B02-67530	99	13
	103	14
172B02-67550	98	10
	168	4
172B02-67600	99	14
172B02-67620	98	11
172B02-67650	99	15
172B02-67670	98	12
172B02-67700	99	16
172B02-67710	98	13
172B02-67750	104	12
172B02-67760	104	13
172B02-67800	104	14
172B02-67850	104	15

Parts No.	Fig. No.	Ref. No.
172B02-67870	101	6
	104	16
172B02-67900	168	5
172B02-67910	96	4
172B02-67920	168	6
172B02-67930	168	7
172B02-67940	168	8
172B02-67950	101	7
	104	17
	105	13
172B02-67960	105	14
172B02-67970	105	15
172B02-68001	97	1
172B02-68002	97	1 -1
172B02-68200	99	1
172B02-68210	99	17
172B02-68220	99	18
172B02-68230	99	19
172B02-68240	99	20
172B02-68250	99	21
172B02-68260	99	22
172B02-68270	99	23
172B02-68280	99	24
172B02-68290	99	25
172B02-68300	99	26
172B02-68310	99	27
172B02-68320	99	28
172B02-68330	99	29
172B02-68340	99	30
172B02-68350	99	31
172B02-68360	99	32
172B02-68370	99	33
172B02-68380	99	34
172B02-68390	99	35
172B02-68400	99	36
172B02-68410	99	37
172B02-68420	99	38
172B02-68430	99	39
	105	16
172B02-68431	99	39 -1
	105	16 -1
172B02-68440	99	40
172B02-68450	99	41
172B02-68500	101	1
172B02-68510	101	8
172B02-68511	101	8 -1
172B02-68520	101	9
172B02-68530	101	10
172B02-68540	101	11
172B02-68550	101	12

Parts No.	Fig. No.	Ref. No.
172B02-68560	101	13
172B02-68570	101	14
172B02-68580	101	15
172B02-68590	101	16
172B02-68600	101	17
172B02-68610	101	18
172B02-68620	101	19
172B02-68630	101	20
172B02-68640	101	21
172B02-68650	101	22
172B02-68660	101	23
172B02-68700	105	17
172B02-68710	105	18
172B02-68720	105	19
172B02-68730	105	20
172B02-68740	105	21
172B02-68750	104	18
172B02-68760	105	22
172B02-68761	105	22 -1
172B02-68780	105	23
172B02-68790	105	24
172B02-68800	105	25
172B02-68810	105	26
172B02-68820	104	19
172B02-68821	104	19 -1
172B02-68840	105	27
172B02-68850	104	20
172B02-68860	104	21
172B02-68870	104	22
172B02-68880	105	28
172B02-68890	105	29
172B02-68900	107	6
172B02-68910	107	7
172B02-68920	107	8
172B02-68930	107	18
172B02-68940	107	9
172B02-68950	108	1
172B02-69010	103	16
172B02-69020	105	30
172B02-69030	105	44 -1
172B02-69040	85	2 -1
	103	2 -1
172B02-69101	104	23
172B02-69102	104	23 -1
172B02-69110	104	24
172B02-69120	100	9
172B02-69130	100	16
172B02-69140	100	23
172B02-69150	100	24
172B02-69160	100	25

Parts No. Index

Parts No.	Fig. No.	Ref. No.
172B02-69170	100	11
		18
		26
172B02-69180	100	12
		19
		27
172B02-69190	100	28
172B02-69200	100	29
172B02-69210	100	30
172B02-69220	100	31
172B02-69230	102	6
172B02-69240	102	7
172B02-69250	102	8
172B02-69260	100	13
172B02-69270	100	20
172B02-69280	100	14
		21
172B02-69290	100	15
		22
172B02-69300	102	9
172B02-69301	102	39
172B02-69310	102	10
172B02-69311	102	40
172B02-69320	102	11
172B02-69321	102	41
172B02-69330	102	12
172B02-69340	102	13
172B02-69350	102	14
172B02-69351	102	42
172B02-69360	102	15
172B02-69361	102	43
172B02-69370	102	16
172B02-69380	102	17
172B02-69390	102	18
172B02-69400	102	19
172B02-69401	102	44
172B02-69410	102	20
172B02-69411	102	45
172B02-69420	102	21
172B02-69421	102	46
172B02-69430	102	22
172B02-69431	102	47
172B02-69440	102	23
172B02-69450	102	24
172B02-69451	102	48
172B02-69460	102	26
172B02-69490	102	27
172B02-69500	102	28
172B02-69510	102	29
172B02-69520	102	30

Parts No.	Fig. No.	Ref. No.
172B02-69530	102	31
172B02-69540	102	32
172B02-69550	102	33
172B02-69560	102	34
172B02-69570	102	35
172B02-69580	102	36
172B02-69590	102	37
172B02-69600	102	38
172B02-69610	98	14
172B02-69620	98	15
	99	42
172B02-69630	98	16
172B02-69640	98	17
172B02-69650	98	18
172B02-69660	98	19
172B02-69670	98	20
172B02-69680	98	21
172B02-69690	98	22
172B02-69700	98	23
172B02-69710	103	17
172B02-69720	103	18
172B02-69730	103	19
172B02-69740	103	20
172B02-69750	103	21
172B02-69760	103	22
172B02-69770	103	23
172B02-69780	103	24
172B02-69790	103	25
172B02-69800	103	26
172B02-69810	103	27
172B02-69820	105	31
172B02-69830	105	32
172B02-69840	105	33
172B02-69841	105	33 -1
172B02-69850	98	24
172B02-69860	98	25
172B02-69870	98	26
172B02-69880	105	34
		35
172B02-69890	105	36
172B02-69900	105	37
172B02-69910	105	38
172B02-69920	105	39
172B02-69930	105	40
172B02-69940	105	41
172B02-69950	105	42
172B02-69960	105	43
172B02-69970	98	27
172B02-69980	104	25
172B02-69990	104	26

Parts No.	Fig. No.	Ref. No.
172B02-73800	123	1
172B02-73810	123	2
172B02-73840	123	3
172B02-73850	123	4
	181	10
172B02-73860	123	5
	181	11
172B02-73870	123	11
172B02-73880	123	12
	181	5
172B02-73890	123	11 -1
	181	6
172B02-73900	123	10
172B02-73910	123	10 -1
172B02-74240	164	17
	188	17
172B02-74250	164	19
	188	19
172B02-74290	163	15
	187	15
172B02-74310	163	22
	187	22
172B02-74450	160	16
	184	16
172B02-74850	163	14
	187	14
172B02-74890	160	14
	184	14
172B03-03170	4	2
	175	4
172B03-03181	3	2
	4	3
	174	4
	175	5
172B03-03200	3	6
	4	7
	205	6
	207	7
172B03-03220	3	27
	4	34
	174	7
	175	8
	205	27
	206	7
	207	34
	208	8
172B03-03230	158	54
	202	55
172B03-03240	4	28
	175	10

Parts No.	Fig. No.	Ref. No.
172B03-03240	207	28
	208	10
172B03-03250	4	29
	175	12
	207	29
	208	12
172B03-03280	4	24
	175	15
	207	24
	208	15
172B03-03390	2	10
	9	7 A
172B03-03410	3	16
	4	17
	85	18 B
	174	20
	175	26
	205	16
	206	20
	207	17
	208	26
172B03-03420	4	30
	103	28 A
	175	27
	207	30
	208	27
172B03-03460	1	12
	204	12
172B03-03670	174	28
	175	36
	206	28
	208	36
172B03-03800	3	29
	4	37
	174	30
	175	38
	205	29
	206	30
	207	36
	208	37
172B03-03810	3	30
	4	38
	174	31
	175	39
	205	30
	206	31
	207	37
	208	38
172B03-03930	1	18
	204	18 A

Parts No. Index

Parts No.	Fig. No.	Ref. No.
172B03-03940	1	19
	204	18 B
172B03-04400	5	8
	94	1 H
	102	50 D
172B03-04410	5	9
	94	1 I
	102	50 E
172B03-04530	158	47
	202	48
172B03-04540	158	48
	202	49
172B03-04550	158	49
	202	50
172B03-04580	158	50
	202	51
172B03-04600	158	51
	202	52
172B03-04610	158	52
	202	53
172B03-05310	6	1
172B03-05360	6	2
172B03-05400	210	1
172B03-05500	210	2
172B03-05600	210	3
172B03-08200	5	1
172B03-08590	169	1
172B03-11540	8	3
172B03-11551	8	4
172B03-11571	8	5
172B03-14250	17	14
172B03-14270	17	34
172B03-16070	36	8
		8 -1
172B03-16130	30	1
		9
172B03-16570	27	1
172B03-16650	31	2
172B03-16740	27	2
172B03-16760	27	3
172B03-16890	27	4
172B03-16950	23	1
172B03-17051	25	24
172B03-17100	25	26
172B03-17254	32	3
	33	3
	34	3
172B03-17259	32	3 -1
	33	3 -1
	34	3 -1

Parts No.	Fig. No.	Ref. No.
172B03-17261	32	4
	33	4
	34	4
172B03-17301	32	5
	33	5
	34	5
172B03-17310	32	6
	33	6
	34	6
172B03-17320	32	7
	33	7
	34	7
172B03-17331	33	8
	34	8
172B03-17341	33	9
172B03-17350	32	5 A
	33	5 A
	34	5 A
172B03-17360	32	6 A
	33	6 A
	34	6 A
172B03-17370	32	7 A
	33	7 A
	34	7 A
172B03-17380	33	8 A
	34	8 A
172B03-17390	33	9 A
172B03-17460	30	4
172B03-17470	30	5
172B03-17500	61	27
172B03-17600	45	7
	46	1
172B03-17610	46	2
172B03-17620	46	3
172B03-17630	46	4
172B03-17640	46	5
172B03-17900	28	19
172B03-17980	167	11
172B03-17990	89	1
172B03-18100	42	4
172B03-18310	39	2
	45	2
172B03-18350	39	3
	45	3
	45	3
172B03-18570	39	5
172B03-18700	48	2
172B03-18740	48	3
172B03-18760	48	4
172B03-18780	48	7
172B03-18940	43	2

Parts No.	Fig. No.	Ref. No.
172B03-18950	43	5
172B03-19100	39	12
	40	1
172B03-19110	39	13
172B03-19120	40	8
	46	7
172B03-19130	40	10
	46	8
172B03-19140	40	11
	46	9
172B03-19150	40	13
172B03-19160	39	19
172B03-19190	40	15
172B03-19200	40	16
172B03-19210	40	18
172B03-19220	40	19
	46	11
172B03-19230	40	20
	46	12
172B03-19240	40	21
	46	13
172B03-19250	40	22
	46	14
172B03-19260	40	23
	46	15
172B03-19270	40	24
	46	16
172B03-19280	40	25
172B03-19290	40	26
172B03-19300	40	27
172B03-19310	40	28
172B03-19320	40	29
	46	17
172B03-19330	40	30
172B03-19340	40	31
172B03-19350	40	32
172B03-19360	40	33
172B03-19370	40	34
	46	18
172B03-19380	40	35
	46	19
172B03-19390	40	36
172B03-19400	40	37
172B03-19410	40	38
172B03-19420	40	39
172B03-19430	40	40
172B03-19440	40	41
	46	20
172B03-19450	40	42
	46	21

Parts No.	Fig. No.	Ref. No.
172B03-19460	40	43
	46	22
172B03-19470	40	44
	46	23
172B03-19480	40	45
	46	24
172B03-19490	40	46
	46	25
172B03-19500	40	47
	46	26
172B03-19510	40	48
	46	27
172B03-19520	40	49
	46	28
172B03-19530	40	50
	46	29
172B03-19540	40	51
	46	30
172B03-19550	40	52
172B03-19650	43	8
172B03-19660	43	9
172B03-19670	43	10
172B03-19680	43	6
172B03-19750	41	8
172B03-19780	43	14
172B03-19920	39	21
	45	9
172B03-19950	41	17
	47	10
172B03-44201	55	1
172B03-44231	55	2
172B03-44600	203	1
172B03-44610	203	3
172B03-44650	203	4
172B03-44700	203	9
172B03-44710	203	11
172B03-44750	203	12
172B03-45100	56	2
172B03-45150	56	5
172B03-45200	57	2
172B03-45250	57	6
172B03-45300	57	7
172B03-45320	57	8
172B03-45400	56	8
172B03-45450	61	1
172B03-45580	58	2
172B03-45601	54	1
172B03-45800	61	4
	178	5
172B03-45850	61	5

Parts No. Index

Parts No.	Fig. No.	Ref. No.
172B03-45850	178	6
172B03-45900	61	6
	178	7
172B03-45950	61	9
	178	10
172B03-45990	61	10
	178	11
172B03-46010	60	1
172B03-46060	60	2
172B03-46100	63	2
172B03-46200	63	6
172B03-46310	63	8
172B03-46350	63	9
172B03-46400	63	10
172B03-46810	59	2
172B03-53410	170	6
	209	8
172B03-61050	69	1
172B03-61070	69	2
172B03-61090	69	3
172B03-61200	69	4
172B03-61230	69	8
172B03-61260	69	12
172B03-61430	72	3
172B03-61450	69	6
172B03-61460	69	10
172B03-61470	69	14
172B03-61480	69	7
172B03-61490	69	15
172B03-61540	69	19
		20
172B03-62100	79	1
172B03-62140	79	2
172B03-62150	78	1
172B03-62170	78	2
172B03-62240	78	3
172B03-62251	78	4
172B03-62500	79	3
172B03-62520	78	5
172B03-62750	78	9
	79	7
172B03-63050	81	6
	82	5
	83	5
172B03-63110	80	1
172B03-63120	80	2
172B03-63130	80	3
172B03-63200	82	6
172B03-63210	81	7
	83	6

Parts No.	Fig. No.	Ref. No.
172B03-63220	81	8
172B03-63250	82	7
	83	7
172B03-63270	81	9
172B03-63290	82	9
	83	9
172B03-63300	82	10
	83	10
172B03-63320	82	12
	83	12
172B03-63340	82	14
172B03-63400	84	1
172B03-63450	45	11
	84	8
172B03-63500	81	10
	82	15
	83	14
172B03-63501	81	10 -1
	82	15 -1
	83	14 -1
172B03-63610	80	1 -1
172B03-63620	80	2 -1
172B03-63630	80	3 -1
172B03-63650	82	10 -1
	83	10 -1
172B03-63670	82	14 -1
172B03-63700	82	6 -1
172B03-63710	81	7 -1
	83	6 -1
172B03-63720	81	8 -1
172B03-63750	82	7 -1
	83	7 -1
172B03-63770	81	9 -1
172B03-64020	86	7
172B03-64450	84	24
172B03-64570	85	12
172B03-64601	85	18
172B03-64680	85	13
172B03-64690	85	14
172B03-64700	88	1
172B03-64780	89	3
172B03-64831	86	4
172B03-64960	86	10
172B03-64990	84	41
172B03-65170	90	9
172B03-65310	90	13
172B03-65350	95	2
172B03-65920	95	3
172B03-65950	93	18
172B03-66170	70	10

Parts No.	Fig. No.	Ref. No.
172B03-66170	90	17
	99	2
	103	3
172B03-66300	94	1
172B03-71590	180	4
172B03-74160	164	13
	188	13
172B03-74170	164	14
	188	14
172B03-74370	127	2
172B03-74420	127	4
	190	4
172B03-74440	190	2
172B03-74460	192	1
172B03-74530	125	1
172B03-74560	126	1
172B03-74590	125	6
	126	6
172B03-74650	125	13
172B03-74660	125	14
172B03-74680	126	15
172B03-74700	127	3
	190	3
172B03-74720	129	1
172B03-74730	128	1
172B03-74740	128	2
172B03-74750	128	7
	129	2
172B03-74770	129	7
	191	5
172B03-74780	128	13
172B03-74790	129	8
172B03-74860	128	3
		8
	129	3
172B03-74870	128	4
		9
	129	4
172B03-74880	128	5
		10
	129	5
172B03-74930	129	9
172B03-74950	128	16
172B03-76010	131	1
	132	1
	134	1
	138	1
	143	1
	144	1
	145	1

Parts No.	Fig. No.	Ref. No.
172B03-76010	149	1
	194	1
	197	1
	198	1
	199	4
	200	1
172B03-76070	133	1
	193	1
172B03-76080	133	2
	134	23
	193	2
	194	25
172B03-76110	133	3
	141	9
	193	3
172B03-76120	133	5
	193	5
172B03-76130	133	9
		25
	138	3
	139	5
	193	9
		25
	196	5
172B03-76150	139	7
	196	7
172B03-76160	133	12
	141	11
	193	12
172B03-76170	133	14
	193	14
172B03-76180	143	6
	144	6
	197	6
	198	6
172B03-76190	133	16
	193	16
172B03-76310	134	16
	194	18
172B03-76400	140	3
172B03-76410	140	4
172B03-76440	140	6
172B03-76450	140	7
172B03-76470	140	8
172B03-76511	142	7
172B03-76620	199	15
172B03-76630	133	18
	193	18
172B03-76650	199	16
172B03-78050	84	25

Parts No. Index

Parts No.	Fig. No.	Ref. No.
172B03-78650	135	10
172B03-78701	135	11
172B03-78720	135	12
172B03-78910	145	19
	200	19
172B03-78920	145	20
	200	20
172B03-79211	143	10
	144	10
	197	10
	198	10
172B03-79230	143	11
	144	12
	197	11
	198	12
172B03-79240	143	12
	144	13
172B03-79241	197	12
	198	13
172B03-79280	199	21
172B03-79290	199	22
172B03-79360	199	23
172B03-79370	199	24
172B03-79380	199	25
172B03-79390	199	26
172B03-79510	146	1
172B03-79520	146	2
172B03-79530	146	3
172B03-79540	146	4
172B03-79550	146	5
172B03-79560	146	6
172B03-79580	200	21
172B03-79590	199	27
172B03-79610	145	21
	200	22
172B03-79620	145	22
	200	23
172B03-79630	145	23
	200	24
172B03-79640	145	24
172B03-79650	145	25
	200	25
172B03-79660	145	26
	200	26
172B03-79670	145	27
	200	27
172B03-79680	145	28
	200	28
172B03-79690	145	29
	200	29

Parts No.	Fig. No.	Ref. No.
172B03-79700	145	30
	200	30
172B03-79861	140	15
		16
		22
172B03-79871	140	17
		18
		23
172B03-79880	137	3
172B03-79970	136	12
		15
172B04-03020	158	1
172B04-03030	202	1
172B04-03070	174	2
	175	2
	206	2
	208	2
172B04-03080	158	2
172B04-03110	3	4
	4	5
	205	4
	207	5
172B04-03150	1	2
172B04-03160	1	3
	170	9
172B04-03250	1	16
	204	16
172B04-03260	2	5
172B04-03270	3	24 -1
	4	31 -1
	174	10
	175	13
	205	24
	206	10
	207	31
	208	13
172B04-03350	3	13
	4	14
	174	15
	175	20
	205	13
	206	15
	207	14
	208	20
172B04-03360	4	36
	175	21
	207	2
	208	21
172B04-03370	3	28
	4	35

Parts No.	Fig. No.	Ref. No.
172B04-03370	174	18
	175	24
	205	28
	206	18
	207	35
	208	24
172B04-03380	3	15
	4	16
	174	19
	175	25
	205	15
	206	19
	207	16
	208	25
172B04-03430	3	18
	4	19
	174	22
	175	29
	205	18
	206	22
	207	19
	208	29
172B04-03440	3	19
	4	20
	174	24
	175	31
	205	19
	206	24
	207	20
	208	31
172B04-03480	3	22
	4	23
	94	1 F
	102	49 A
	205	22
	207	23
172B04-03481	205	22 -1
	207	23 -1
172B04-03482	205	22 -2
	207	23 -2
172B04-03490	2	11
	130	32 A
172B04-03630	202	33
172B04-03640	202	34
172B04-03650	204	19
172B04-03680	94	1 K
	102	49 B
	174	29
	175	37
	206	29

Parts No.	Fig. No.	Ref. No.
172B04-03680	208	4
172B04-03730	205	24 -1
	206	10 -1
	207	31 -1
	208	13 -1
172B04-03800	158	38
	202	40
172B04-03810	158	39
	202	41
172B04-03820	158	40
	202	42
172B04-03830	158	41
	202	43
172B04-03840	158	42
	202	44
172B04-03850	158	43
	202	45
172B04-03860	158	44
	202	46
172B04-03870	158	45
172B04-03880	158	46
	202	47
172B04-03980	170	10
	204	2
	209	2
172B04-04470	204	17
172B04-04480	204	18
172B04-04790	170	9 -1
	204	3
172B04-05200	16	1
172B04-05260	16	2
172B04-08120	1	1
172B04-08121	204	1
172B04-08122	204	1 -1
172B04-08170	2	1
172B04-08220	174	1
172B04-08221	206	1
172B04-08240	3	1
172B04-08241	205	1
172B04-08270	4	1
172B04-08271	207	1
172B04-08280	175	1
172B04-08281	208	1
172B04-08310	167	1
172B04-08380	130	1
172B04-08381	130	1 -1
172B04-08390	17	1
172B04-08680	170	1
172B04-08681	170	1 -1
172B04-08740	166	1

Parts No. Index

Parts No.	Fig. No.	Ref. No.
172B04-08880	209	1
172B04-09200	170	1 A
	209	3
172B04-11310	7	1
172B04-11380	7	2
172B04-11381	7	2 -1
172B04-11450	8	1
172B04-11500	8	2
172B04-11510	8	6
172B04-11520	8	7
172B04-11561	8	8
172B04-11580	8	9
172B04-11600	9	1
172B04-11650	9	3
172B04-11660	9	4
172B04-11680	9	6
172B04-11710	9	7
172B04-11900	8	10
172B04-11940	8	12
172B04-13020	15	1
172B04-13040	15	2
172B04-13050	15	3
172B04-13110	11	1
	12	1
172B04-13120	11	2
	12	2
172B04-13130	11	3
	12	3
172B04-13330	14	3
		4
172B04-13350	14	5
		6
172B04-13380	14	7
172B04-13410	14	8
172B04-13450	14	9
172B04-13480	13	1
172B04-13500	13	2
172B04-13600	16	3
172B04-13720	16	6
172B04-13730	16	7
172B04-13740	16	8
172B04-13750	16	9
172B04-13760	16	10
172B04-13780	16	11
172B04-13800	16	12
172B04-13900	13	9
172B04-13910	13	10
172B04-13920	13	11
172B04-14110	17	2
172B04-14111	17	2 -1

Parts No.	Fig. No.	Ref. No.
172B04-14120	17	3
172B04-14150	17	29
172B04-14200	17	31
172B04-14210	17	32
172B04-14220	17	23
172B04-14260	18	2
172B04-14400	17	36
172B04-14420	17	25
		38
172B04-14600	18	3
172B04-14650	18	4
172B04-14700	18	8
172B04-14750	18	16
172B04-14950	17	41
172B04-15950	17	41 -1
172B04-16000	167	7
172B04-16100	19	1
172B04-16110	19	3
172B04-16120	21	1
172B04-16180	19	5
172B04-16380	19	8
172B04-16400	20	1
172B04-16431	25	5
172B04-16460	25	6
172B04-16500	19	9
172B04-16520	25	7
172B04-16521	25	7 -1
172B04-16522	25	7 -2
172B04-16523	25	7 -3
172B04-16550	30	2
172B04-16620	167	8
172B04-16660	31	3
172B04-16700	36	1
172B04-16850	44	2
172B04-16870	35	1
172B04-17000	25	23
172B04-17050	25	25
172B04-17110	37	1
172B04-17250	25	29
172B04-17350	95	1
172B04-17620	47	2
172B04-17650	25	33
172B04-17740	32	8 A
	33	10 A
	34	9 A
172B04-17750	38	1
172B04-17790	25	34
172B04-17800	167	10
172B04-17830	25	35
172B04-17990	32	8

Parts No.	Fig. No.	Ref. No.
172B04-17990	33	10
	34	9
172B04-18400	41	25
172B04-18550	39	4
172B04-18560	45	4
172B04-18580	39	6
	45	5
172B04-18600	41	5
	47	5
172B04-18640	41	6
	47	6
172B04-18900	42	12
172B04-19650	39	14
172B04-19660	39	16
172B04-19710	41	7
	47	7
172B04-19760	41	9
172B04-19800	41	11
172B04-19820	41	13
172B04-19840	39	18
172B04-19860	41	15
		16
	47	8
172B04-19870	47	9
172B04-19890	39	20
172B04-19980	45	10
172B04-29100	49	1
172B04-37090	50	1
172B04-37200	50	21
172B04-37220	51	12
172B04-37300	51	1
172B04-37320	51	3
172B04-38100	53	1
172B04-38110	53	2
		16
172B04-38120	53	3
172B04-38130	53	4
172B04-38140	53	5
172B04-38150	53	6
		17
172B04-38160	53	7
		18
172B04-38170	53	8
		19
172B04-38180	53	9
172B04-38190	53	10
172B04-38200	53	11
172B04-38210	53	12
		20
172B04-38300	53	15

Parts No.	Fig. No.	Ref. No.
172B04-38400	171	1
172B04-38410	171	13
		20
172B04-38500	171	14
172B04-38600	53	14
172B04-50100	64	1
172B04-53300	66	1
172B04-53320	170	3
	209	5
172B04-53330	66	3
172B04-54100	67	2
172B04-54800	67	6
172B04-54900	67	4
172B04-54910	67	5
172B04-54950	67	8
172B04-57600	68	1 -1
172B04-57610	68	1 A-1
172B04-61010	74	1
172B04-61040	74	3
		4
172B04-61100	73	1
172B04-61110	75	1
172B04-61140	75	4
		5
172B04-61210	76	1
172B04-61320	76	2
172B04-61370	77	1
172B04-61390	77	3
172B04-61410	72	1
172B04-61420	72	2
172B04-61440	72	4
172B04-61600	91	9
172B04-61650	85	3
172B04-61810	70	1
172B04-61820	70	2
172B04-61850	91	1
172B04-61851	91	1 -1
172B04-61901	71	1
172B04-61980	71	3
172B04-61990	71	4
172B04-62260	70	3
172B04-62270	70	4
172B04-62271	70	4 -1
172B04-62300	70	6
172B04-62340	70	7
172B04-62600	78	6
	79	4
172B04-62610	78	8
	79	6
172B04-62660	79	10

Parts No. Index

Parts No.	Fig. No.	Ref. No.
172B04-62800	79	8
172B04-62850	78	10
172B04-62860	78	12
172B04-62870	78	13
172B04-64010	86	6
172B04-64030	86	8
172B04-64070	85	7
172B04-64080	85	8
172B04-64090	85	9
172B04-64100	85	10
172B04-64110	84	2
172B04-64120	84	3
172B04-64130	84	4
172B04-64140	84	5
172B04-64200	84	7
172B04-64201	84	7 -1
172B04-64380	84	23
172B04-64500	85	6
172B04-64510	85	11
172B04-64650	85	19
172B04-64670	85	22
172B04-64680	85	23
172B04-64690	85	24
172B04-64850	86	5
172B04-64990	85	16
172B04-65100	90	3
172B04-65190	90	6
172B04-65201	90	10
172B04-65290	90	11
172B04-65300	90	12
172B04-65340	90	7
172B04-65350	90	8
172B04-65390	90	15
172B04-65410	91	2
172B04-65450	91	3
172B04-65600	92	1
172B04-65650	92	4
172B04-65670	92	5
172B04-65700	92	6
172B04-65730	92	7
172B04-65780	130	34
172B04-65800	93	1
172B04-65820	93	4
172B04-65900	93	17
172B04-65950	90	16
172B04-67500	95	4
172B04-67501	95	4 -1
172B04-67780	95	6
172B04-67790	95	7
172B04-67810	95	8

Parts No.	Fig. No.	Ref. No.
172B04-67811	95	8 -1
172B04-71100	109	1
172B04-71890	113	1
172B04-71900	113	2
172B04-71950	114	1
	115	1
172B04-71960	116	1
172B04-71980	118	1
	119	1
	179	1
172B04-72010	113	8
172B04-72030	114	7
	115	7
172B04-72050	116	7
172B04-72070	117	2
172B04-72080	118	3
	119	3
	179	3
172B04-72100	113	7
172B04-72110	113	11
172B04-72120	113	12
	23	23
172B04-72130	113	13
172B04-72150	113	17
172B04-72160	113	18
172B04-72170	113	19
172B04-72180	113	20
172B04-72190	113	21
172B04-72200	113	22
172B04-72210	113	24
172B04-72220	113	25
172B04-72230	113	28
172B04-72240	113	29
172B04-72250	113	30
	114	10
	115	10
	116	10
172B04-72260	113	31
	114	11
	115	11
	116	11
172B04-72270	117	14
	180	16
172B04-72280	113	9
172B04-72290	113	10
	179	4
172B04-72300	114	6
172B04-72310	114	15
172B04-72320	118	6
	119	6

Parts No.	Fig. No.	Ref. No.
172B04-72330	114	17
	115	15
172B04-72350	114	21
	115	19
172B04-72360	114	22
	115	20
172B04-72370	114	23
	115	21
172B04-72380	114	24
	115	22
172B04-72390	114	25
	115	23
172B04-72400	114	26
	115	24
172B04-72410	114	28
	115	26
172B04-72420	114	29
	115	27
172B04-72430	114	32
	115	30
172B04-72440	114	33
	115	31
172B04-72450	115	6
172B04-72460	117	6
172B04-72470	113	32
	114	12
	115	12
	116	12
172B04-72480	114	8
	115	8
172B04-72490	114	9
	115	9
172B04-72500	116	6
172B04-72510	116	15
172B04-72520	116	16
172B04-72530	116	17
172B04-72550	116	19
172B04-72560	116	20
172B04-72570	116	21
172B04-72580	116	22
172B04-72590	116	25
172B04-72600	116	26
172B04-72610	116	27
172B04-72620	116	28
172B04-72630	118	7
	119	7
	179	7
172B04-72640	118	8
	119	8
	179	8

Parts No.	Fig. No.	Ref. No.
172B04-72650	117	5
172B04-72680	116	8
172B04-72690	116	9
172B04-72700	117	1
172B04-72710	117	9
172B04-72720	117	10
172B04-72730	117	11
172B04-72740	117	12
172B04-72750	117	13
172B04-72770	117	16
172B04-72780	117	3
172B04-72790	117	4
172B04-72800	118	2
172B04-72810	118	11
172B04-72820	118	12
		14
	119	12
		14
172B04-72830	118	13
172B04-72840	118	16
	119	16
	179	12
172B04-72850	118	15
	119	15
	179	11
172B04-72870	118	9
	119	9
	179	9
172B04-72880	118	4
	119	4
	179	5
172B04-72890	118	5
	119	5
172B04-72910	115	38
172B04-73110	110	1
172B04-73120	111	1
172B04-73130	112	1
172B04-73240	110	6 -1
172B04-73290	120	5 -1
172B04-73300	120	2
172B04-73310	121	1 -1
172B04-73350	120	11
172B04-73360	121	24 -1
172B04-73370	121	25 -1
172B04-73380	121	23 -1
172B04-73390	121	27 -1
172B04-73400	121	28 -1
172B04-73500	121	22 -1
172B04-73610	110	30
172B04-73620	111	28

Parts No. Index

Parts No.	Fig. No.	Ref. No.
172B04-73620	112	29
172B04-73630	110	40
	111	38
	112	39
172B04-73640	110	43
	111	41
	112	42
172B04-73650	110	44
	111	42
	112	43
172B04-73660	111	45
	112	46
172B04-73710	110	34
	111	32
	112	33
172B04-73720	110	48
	111	48
	112	49
172B04-73730	110	49
172B04-73740	111	49
	112	50
172B04-73750	110	50
	111	50
	112	51
172B04-73760	110	51
	111	51
	112	52
172B04-73770	110	52
	111	52
	112	53
172B04-73780	110	53
	111	53
	112	54
172B04-73800	111	54
	112	55
172B04-73810	110	54
	111	55
	112	56
172B04-74120	124	1
172B04-74130	182	1
172B04-74150	165	1
172B04-74160	165	2
172B04-74170	165	9
172B04-74190	164	1
172B04-74200	164	5
	188	5
172B04-74210	164	12
	188	12
172B04-74230	163	1
	187	1

Parts No.	Fig. No.	Ref. No.
172B04-74240	163	3
	187	3
172B04-74250	163	9
	187	9
172B04-74270	162	1
	186	1
172B04-74280	162	4
	186	4
172B04-74310	162	17
	186	17
172B04-74320	161	19
	185	19
172B04-74330	161	24
	162	22
	185	24
	186	22
172B04-74350	160	1
	184	1
172B04-74360	160	3
	184	3
172B04-74370	160	10
	184	10
172B04-74390	159	5
	183	16
172B04-74400	159	7
	183	18
172B04-74460	164	34
	188	34
172B04-74800	14	19
172B04-74900	142	1
172B04-75400	130	15
172B04-75450	130	17
172B04-76220	140	1
172B04-76250	140	2
172B04-76350	142	3
172B04-76370	142	4
172B04-76420	140	5
172B04-76550	150	2
172B04-76570	150	3
172B04-76700	131	5
172B04-76780	15	18
172B04-76900	15	20
172B04-76910	132	7
172B04-76930	166	2
172B04-77400	150	5
172B04-77600	141	21
172B04-77650	141	22
172B04-77700	150	10
172B04-77750	141	29
172B04-77800	147	6

Parts No.	Fig. No.	Ref. No.
172B04-77810	147	7
172B04-77850	141	23
172B04-78100	131	9
172B04-78110	131	10
172B04-78120	131	11
172B04-78130	131	12
172B04-78140	131	13
172B04-78150	131	14
172B04-78161	136	1
172B04-78171	136	2
172B04-78181	137	1
172B04-78191	137	2
172B04-78200	138	6
	195	6
172B04-78220	136	3
172B04-78230	136	4
172B04-78241	136	5
172B04-78251	136	6
172B04-78260	132	10
172B04-78261	132	10 -1
172B04-78270	132	11
172B04-78280	138	7
	195	7
172B04-78290	138	8
	195	8
172B04-78300	135	2
172B04-78310	131	15
172B04-78320	139	13
	196	16
172B04-78330	139	18
172B04-78340	139	19
172B04-78350	139	14
	196	17
172B04-78360	139	15
	196	18
172B04-78380	139	16
	196	19
172B04-78390	139	17
172B04-78400	140	12
172B04-78410	140	21
172B04-78420	140	13
172B04-78430	140	14
172B04-78510	132	12
172B04-78511	132	12 -1
172B04-78520	138	9
	195	9
172B04-78530	135	3
172B04-78540	135	4
172B04-78550	135	5
172B04-78560	135	6

Parts No.	Fig. No.	Ref. No.
172B04-78570	135	7
172B04-78600	131	16
172B04-78610	132	13
172B04-78620	135	8
172B04-78630	138	10
	195	10
172B04-78640	135	9
172B04-78760	135	13
172B04-79011	149	9
172B04-79021	149	10
172B04-79030	150	8
172B04-79110	141	15
172B04-79120	141	16
172B04-79130	141	17
172B04-79140	141	18
172B04-79170	142	19
172B04-79220	144	11
172B04-79221	198	11
172B04-79250	143	13
	144	14
	197	13
	198	14
172B04-79650	150	11
172B04-79660	150	12
172B04-79680	150	13
172B04-79720	136	7
172B04-79800	136	8
172B04-79900	136	10
172B04-79950	136	13
172B04-81100	153	1
172B04-81500	154	2
172B04-81650	156	1
	157	1
	201	1
172B04-81800	153	8
172B04-81820	113	43
		44
172B04-81840	153	9
172B04-81870	154	11
172B04-81920	154	12
172B04-81950	117	21
172B04-81980	117	23
172B04-82100	173	1
172B04-82110	173	2
172B04-82210	173	5
172B04-82240	173	6
172B04-82250	173	7
172B04-82260	173	8
172B04-82300	152	1
172B04-82320	152	4

Parts No. Index

Parts No.	Fig. No.	Ref. No.
172B04-82350	152	6
172B04-82380	152	7
172B04-82390	152	8
172B04-94100	156	4
172B04-94500	157	6
172B05-16340	177	2
172B05-16610	176	1
172B05-18400	42	6
172B05-18450	42	7
172B05-18810	42	10
172B05-18880	42	11
172B05-38120	171	2
172B05-38130	171	3
172B05-38140	171	4
172B05-38150	171	5
		15
172B05-38160	171	6
		16
172B05-38170	171	7
		17
172B05-38180	171	8
172B05-38190	171	9
172B05-38200	171	10
172B05-38210	171	11
		18
172B05-38220	171	12
		19
172B05-45350	178	1
172B05-45450	178	2
172B05-54810	67	7
172B05-64010	84	9
172B05-64020	84	10
172B05-64030	84	11
172B05-64040	84	12
172B05-64050	84	13
172B05-64060	84	14
172B05-64070	84	15
172B05-64080	84	16
172B05-64090	84	17
172B05-65100	90	3 -1
172B05-65810	93	6
172B05-65820	93	7
172B05-65830	93	9
172B05-65840	93	10
172B05-65851	93	11
172B05-65860	93	12
172B05-65870	93	13
172B05-65880	93	14
172B05-65890	93	15
172B05-65910	93	3

Parts No.	Fig. No.	Ref. No.
172B05-65930	93	16
172B05-72090	180	5
172B05-72440	180	8
172B05-72490	179	6
172B05-72571	180	9
172B05-72581	180	10
172B05-72690	180	6
172B05-72800	119	2
172B05-72810	119	11
172B05-72830	119	13
172B05-72840	179	15
		17
172B05-72850	180	2
172B05-72900	179	2
172B05-72920	179	14
172B05-72930	179	16
172B05-72940	180	7
172B05-72950	180	3
172B05-72960	180	13
172B05-72970	180	15
172B05-72990	180	18
172B05-73360	120	22
172B05-73370	120	24
172B05-73380	120	25
172B05-73390	120	26
172B05-73400	120	27
172B05-73440	120	30
172B05-73470	120	43
172B05-73480	120	45
172B05-73490	120	46
172B05-73500	120	47
172B05-73510	120	49
172B05-73560	120	53
172B05-73610	120	33
172B05-73620	120	56
172B05-73630	120	67
172B05-73640	120	68
172B05-73650	120	69
172B05-73660	120	70
172B05-74180	188	1
172B05-74250	183	1
172B05-74260	183	2
172B05-74270	183	7
172B05-74310	189	1
172B05-74320	189	2
172B05-74330	189	8
172B05-74350	189	10
172B05-74360	189	11
172B05-74370	189	12
172B05-74710	191	2

Parts No.	Fig. No.	Ref. No.
172B05-74720	191	3
172B05-74730	129	8 -1
	191	4
172B05-78330	139	20
172B05-78340	139	21
172B05-78790	196	22
172B05-78800	196	23
172B05-79060	195	11
172B05-79070	195	12
172B05-79090	196	20
172B05-79100	196	21
172B05-79790	199	28
172B05-94100	201	10
172B05-94500	201	16
172B06-18420	39	8
	45	8
172B06-18450	43	1
172B06-18550	40	2
172B06-18560	39	9
172B06-18570	39	10
172B06-18580	39	11
172B06-18680	40	3
	41	10
172B06-18690	39	17
	40	4
	41	14
172B06-18700	39	15
	41	12
	43	15
172B06-18930	40	5
172B06-18960	40	6
172B06-18970	40	7
	46	6
172B06-19120	40	9
172B06-19140	40	12
172B06-19150	40	14
	46	10
172B06-19200	40	17
172B06-19260	43	7
172B06-37100	50	2
172B06-37110	50	3
172B06-37120	50	4
172B06-37130	50	5
172B06-37140	50	6
172B06-37150	50	7
172B06-37160	50	8
172B06-37170	50	9
172B06-37180	50	10
172B06-37190	50	11
	51	2

Parts No.	Fig. No.	Ref. No.
172B06-37320	51	4
172B06-37350	51	5
172B06-37360	51	6
172B06-37370	51	7
172B06-37390	51	3 A
172B06-37400	51	9
172B06-37700	50	12
172B06-37870	50	15
172B06-37880	50	16
172B06-37890	50	17
172B06-37901	50	14
172B06-37911	50	18
172B06-37940	50	19
172B06-37951	50	20
172B06-70120	110	2
	111	2
	112	2
172B06-70191	110	3
172B06-73310	121	1
172B06-73320	121	3
172B06-73330	121	6
172B06-73340	121	8
172B06-73350	121	23
172B06-73360	121	24
172B06-73370	121	25
172B06-73390	121	27
172B06-73400	121	28
172B06-73420	121	29
172B06-73460	121	9
172B06-73470	121	10
172B06-73480	121	30 -1
172B06-73490	121	2
172B06-73500	121	22
172B06-75370	130	14
172B11-14700	18	12
172B11-16590	167	19
172B11-73600	122	1
172B11-73630	122	2
172B11-76900	153	27 -1
		29 -1
172B12-62130	71	7 -1
172B16-03180	205	2
	206	4
	207	3
	208	5
172B34-37300	212	1
172B34-37310	212	2
172B34-37330	212	4
172B34-37340	212	5
172B34-37370	212	6

Parts No. Index

Parts No.	Fig. No.	Ref. No.
172B34-37400	212	8
172Q04-81950-Y	149	11 -1
183341-91800	107	10
184014-59450	15	14
184015-44680	14	18
194151-57100	22	1
194200-37780	57	1
194202-56460	25	40
		41
		42
		43
		44
	36	5
		5 -1
		5 -2
	44	4
		4 -1
	135	1
	167	14
		15
	178	15
	211	4
194440-51620	25	37
194680-51670	25	38
	132	15
194940-52110	24	1
194990-22130	48	8
198071-57110	27	6
198071-61890	81	5
	82	4
	83	4
198094-82540	105	44
198220-61480	69	17
		18
198360-52160	24	6
198360-52320	24	3
198360-52330	24	4
198463-86440	104	33
198535-52110	25	11
198535-52120	25	12
198535-52140	25	13
1A1040-43900	42	14
1A1040-45890	57	15
1A1380-58050	180	1
1A1380-62160	70	17
1A1686-57850	25	37 -1
		45
1A6382-51510	25	10
1A7000-52820	19	13
1A7030-87411	48	10

Parts No.	Fig. No.	Ref. No.
1A7400-61250	16	16
	130	33
1A7450-52180	25	14
1A7470-86750	104	34
1A7470-86770	104	36
1A7470-87320	82	13
	83	13
1A7522-52950	25	39
	36	4
	167	13
1A7550-08811	42	1
1A7610-62250	86	2
1A7611-52720	19	12
1A7611-86251	104	30
1A7611-86270	31	5
	104	32
1A7611-86351	31	4
1A8060-84280	48	9 -1
	80	6 -1
	82	16 -1
		17 -1
	83	15 -1
		16 -1
1A8110-84210	48	9
	80	6
	82	16
		17
	83	15
		16
1A8110-86920	104	37
1A8280-50900	29	1
1C6281-52310	56	14
	57	21
	61	11
		12
		13
	90	1
	178	12
		13
		14
1C6281-52320	90	2
1C6900-06180	19	10
1C7100-99650	6	12
	210	9
1D4103-18300	25	36
1E6740-64200	57	22
1E6910-82500	104	29
1E8080-78890	94	8
1E8235-84910	25	20
	36	3

Parts No.	Fig. No.	Ref. No.
1E8235-84910	44	3
	167	9
	211	3
1E8460-83120	25	15
	36	2
1E8465-83170	25	16
1E8775-84120	25	50
1E8915-84120	25	51
		52
	30	6
1E9535-79420	104	28
1E9570-83900	25	17
1N1730-61190	85	1
1RF001-00022	167	2
22117-040000	56	15
22117-080000	56	16
	57	23
	127	9
	190	9
22117-100000	6	6
	7	4
	16	18
22117-120000	110	63
	111	64
	112	65
22137-050000	32	9
	33	11
	34	10
	61	14
		15
		16
	178	16
		17
		18
22137-060000	18	33
	38	2
22137-080000	7	5
	8	13
	9	8
		9
		10
	18	34
	30	10
	58	3
		4
	63	13
	70	11
		19
	84	26
	85	25

Parts No.	Fig. No.	Ref. No.
22137-080000	85	26
	130	35
	151	28
	203	7
		15
22137-100000	6	7
	14	20
	17	47
	19	17
		18
	20	2
	21	2
	25	53
	30	7
		11
	31	7
	36	6
	57	24
	76	3
	84	27
	86	11
	95	9
		10
	109	2
	136	16
	141	26
	142	12
	151	29
22137-120000	95	11
22137-140000	61	17
	130	36
	178	19
22137-160000	94	3
		3 -1
	95	12
	107	11
22137-200000	63	14
22137-240000	127	10
	190	10
22157-060000	90	21
22157-080000	9	11
	19	19
	61	18
	90	22
	178	20
22157-100000	54	2
	74	6
	75	6
	78	15
	79	11

Parts No. Index

Parts No.	Fig. No.	Ref. No.	
22157-100000	84	28	
	86	12	
	91	5	
	107	12	
	136	17	
22157-120000	180	18	
	180	24	
	73	4	
	113	49	
		50	
	117	27	
	151	30	
	153	18	
	154	17	
	156	10	
	157	10	
	201	25	
22157-160000	88	2	
	22190-080002	42	16
	22190-120002	130	23
	22212-100000	136	25
	22217-050000	32	10
		33	12
	22217-060000	34	11
		19	20
		38	3
		42	17
127		11	
22217-080000	190	11	
	18	35	
	19	21	
	42	18	
	57	25	
22217-100000	85	27	
	7	6	
	11	12	
		13	
	12	13	
		14	
	57	26	
	67	9	
	95	13	
	113	51	
	114	47	
	115	47	
116	34		
123	6		
	16		

Parts No.	Fig. No.	Ref. No.	
22217-100000	181	12	
		16	
	22217-120000	95	14
		22217-140000	49
		120	73
	130	37	
	153	19	
22217-160000		20	
	11	14	
	12	15	
	51	11	
	52	11	
	65	2	
	88	3	
	94	4	
	95	15	
	107	13	
	201	28	
	212	12	
22242-000140	61	19	
	178	21	
22242-000200	63	15	
	22242-000210	141	2
	22242-000250	141	3
	22242-000300	52	7
	22242-000350	151	31
	22242-000451	123	7
		181	13
	22242-000900	152	10
	22252-000220	121	26
	22252-000350	151	32
22252-000400	42	19	
	151	33	
	110	59	
22252-000420	111	60	
	112	61	
	22252-000621	52	8
22272-000070	63	16	
	69	23	
22312-050100		24	
	160	31	
	184	31	
22351-025022	180	20	
22351-030028	28	16	
22351-035040	63	17	
22351-050025	178	22	
22351-060040	63	18	
22372-080000	130	38	
22417-200160	127	12	
	190	12	

Parts No.	Fig. No.	Ref. No.
22417-200200	63	19
	70	20
	86	13
22417-250200	6	8
	16	19
	57	27
22487-080300	127	13
	190	13
	22853-300161	125
	126	16
22857-600160	90	23
	22859-500160	87
22859-500200	87	8 -1
22877-500120	39	22
	45	13
23000-013000	17	15
	135	15
	138	11
	143	14
	144	15
	145	32
	195	13
	197	14
	198	15
	199	29
	200	32
	23000-070000	8
		15
23000-080000	8	21
23001-019000	135	16
23001-022000	39	23
		24
	45	14
23001-035000	131	17
	132	14
	135	17
	141	19
23001-041000	15	23
	131	18
23001-048000	15	24
		25
23001-060000	131	19
23061-050300	18	36
23065-070225	14	15
23080-013000	17	48
23080-018000	39	25
		26
	41	18
	45	15
		16

Parts No.	Fig. No.	Ref. No.
23080-018000	47	11
23391-020000	145	8
	199	17
	200	8
23393-020000	145	9
	195	5
	200	9
23394-020000	145	10
	200	10
23871-005000	148	32
	23871-010000	127
	134	14
	181	14
	190	14
	194	16
23871-020000	123	8
	134	15
	194	17
23871-040000	17	16
		17
	166	4
24101-062014	121	4
24104-062030	42	20
24105-062044	121	19
24105-062064	52	9
24190-070002	113	27
	114	31
	115	29
	116	24
	117	8
	180	12
24190-080002	118	10
	119	10
	179	10
24190-140001	199	2
24311-000060	160	32
	184	32
24311-000110	18	27
	161	28
24311-000120	162	13
		26
	165	11
	185	28
	186	13
		26
	189	15
24311-000160	15	7
24311-000200	159	3
	183	35
24311-000210	57	28

Parts No. Index

Parts No.	Fig. No.	Ref. No.
24311-000210	61	20
	178	23
24311-000250	127	15
	190	15
24311-000320	17	18
		19
	127	16
	190	16
24315-000050	164	30
	188	30
24315-000080	26	3
		5
	160	33
	161	18
	164	31
	184	33
	185	18
	188	31
24315-000090	160	40
	184	40
24315-000100	160	34
		41
	184	34
	41	41
24315-000110	121	5
	128	14
	139	4
	143	5
	144	5
	145	5
	149	6
	159	21
		34
	160	13
		35
	161	29
	162	14
		27
	163	13

Parts No.	Fig. No.	Ref. No.	
24315-000110	186	27	
	187	13	
	26		
	188	11	
	32		
	189	16	
	196	4	
	199	8	
	200	5	
24315-000140	118	19	
	119	19	
	121	14	
	132	4	
	6		
	133	21	
	159	35	
	160	36	
	163	27	
	179	19	
	183	14	
	184	36	
	187	27	
	193	21	
24315-000180	113	41	
	114	45	
	115	45	
	121	15	
	133	8	
	160	37	
	184	37	
	193	8	
	24315-000200	125	21
		126	19
128		6	
	11		
	129	6	
24315-000210	141	4	
24315-000220	121	16	
24315-000240	141	8	
24315-000250	141	5	
24315-000260	113	33	
	114	13	
	115	13	
	116	13	
24315-000280	121	17	
24315-000560	123	13	
	181	7	
24315-000750	123	14	
	181	8	
24316-000320	17	18 -1	

Parts No.	Fig. No.	Ref. No.	
24316-000320	17	19 -1	
24321-000350	212	9	
24321-000450	110	64	
	111	65	
	112	66	
	152	5	
24321-000900	130	24	
24321-001050	130	25	
24321-001400	130	26	
24325-000700	123	15	
	181	9	
24325-001100	121	20	
24325-001250	121	21	
24341-000300	130	27	
24352-190110	110	22	
	111	20	
	112	21	
	121	18	
24372-000140	148	8	
24550-035200	56	17	
24761-020000	57	29	
	63	5	
	113	36	
	151	34	
	152	11	
	153	21	
	154	18	
	155	13	
	156	11	
	157	11	
	201	29	
	24761-040000	57	30
		147	13
		153	22
		154	19
156		12	
157		12	
180		21	
24761-050000	201	30	
	113	37	
	114	40	
	115	40	
	116	29	
	117	17	
	117	17	
26013-060122	14	21	
		22	
	22	2	
	25	54	
	37	2	
	38	4 -1	

Parts No.	Fig. No.	Ref. No.
26013-060122	85	17
26013-060162	16	20
	18	37
	78	16
	25	55
26013-060202	125	23
26013-060302	126	21
	85	28
26013-080122	7	7
26013-080162	8	16
	9	12
		13
		14
	13	12
		13
	14	23
		24
	17	27
		49
	18	38
	19	23
	25	56
	30	12
	48	11
	57	31
	58	5
		6
	59	3
	61	21
	78	17
	79	12
	84	29
		30
		31
	86	14
	113	34
	114	14
	115	14
	116	14
	128	17
	129	10
	149	12
	151	35
	178	24
	191	1
26013-080202	8	17
	9	15
		16
	18	39
	56	18

Parts No. Index

Parts No.	Fig. No.	Ref. No.
26013-080252	15	26
	42	21
26013-100162	18	40
	30	8
		13
	107	14
	124	2
	140	19
		24
26013-100202	182	2
	6	9
	17	50
	19	24
		25
	20	3
	21	3
	23	2
	25	57
	31	8
	36	7
	42	22
	54	3
	57	32
	61	22
	69	25
	73	5
	76	4
	81	11
	82	18
	83	17
	84	32
	86	15
	95	16
	127	19
		20
	128	18
	129	11
	134	17
		18
		19
	136	19
	149	13
	151	36
	178	25
	190	19
		20
	192	2
	194	19
		20
		21

Parts No.	Fig. No.	Ref. No.
26013-100202	199	18
26013-100252	14	25
	23	3
	54	4
	74	7
	75	7
	91	6
	93	19
	106	3
	117	28
	131	6
	156	13
	157	13
	180	25
	201	31
26013-100302	78	18
	79	13
	109	3
	136	20
26013-100402	20	4
26013-100452	136	21
	140	20
26013-100502	14	26
	109	4
	142	13
26013-100552	141	6
26013-100652	141	27
	142	14
26013-100702	84	33
26013-100752	136	22
26013-120252	113	52
		53
	117	29
	142	15
	153	23
		24
	154	20
26013-120302	73	6
	110	65
	111	66
	112	67
	151	37
	156	14
	157	14
	201	32
		33
		34
26013-120352	110	66
	111	67
	112	68

Parts No.	Fig. No.	Ref. No.
26013-120402	50	13
	67	10
26013-120502	142	16
26013-120702	142	17
26014-060122	16	21
	25	58
		59
		60
	27	8
	32	11
	34	12
26014-060162	19	22
	27	9
	33	13
	48	12
	84	42
	96	5
	167	17
		18
	177	4
26014-060202	29	25 -1
	60	3
		4
26014-060252	25	61
26014-080162	13	14
	16	22
		23
	25	62
		63
		64
	27	10
	41	19
		20
	43	17
	47	12
		13
	70	12
		13
	85	29
	122	4 -1
	150	6
26014-080202	7	7 -1
	8	18
	14	27
		28
		29
	27	11
	28	20
	39	27
		28

Parts No.	Fig. No.	Ref. No.
26014-080202	41	21
		22
		26
	42	23
	43	18
	45	17
		18
	47	14
	48	13
	61	23
	108	2
	122	4
	130	28
		29
		30
	178	26
26014-080252	8	19
	43	19
	150	7
26014-080302	17	20
		21
	42	24
26014-080402	42	25
26014-100162	70	14
26014-100202	69	26
		27
	70	21
	71	8
		9
	78	19
		20
	79	14
	84	34
		35
	85	30 -1
	90	24
	91	7
	136	23
		24
	141	28
	150	15
		16
26014-100252	8	20
	17	51
	63	20
		21
	69	28
		29
		30
		31

Parts No. Index

Parts No.	Fig. No.	Ref. No.
26014-100252	71	10
	76	5
	77	4
	84	36
	85	30
	86	16
	88	4
	89	5
	90	25
		26
	91	8
		10
	92	8
		9
		10
	93	20
		21
		22
	95	17
		18
	140	9
	210	5
26014-100302	17	52
	140	10
26014-100602	71	11
26014-120552	142	16 -1
26014-120752	142	17 -1
26022-050122	17	28
	127	17
	190	17
26023-050102	69	32
		33
26051-080002	56	19
	57	33
26076-100252	113	54
	114	48
	115	48
	116	35
26076-100302	95	19
26076-100352	95	19 -1
	123	9
	181	15
26076-100502	12	16
26076-120452	95	20
26076-160402	94	5
26076-160502	94	6
26076-160552	107	15
26076-160702	95	21
	107	16
26106-060162	29	25

Parts No.	Fig. No.	Ref. No.
26106-060162	43	11
26106-060202	39	29
26106-060252	41	23
	43	20
26106-060602	43	12
26106-080162	25	65
	87	27
		28
26106-080252	41	24
	42	26
		27
26106-080302	55	3
	203	17
26106-080352	42	28
26106-100122	64	3
	118	21
	119	21
	179	21
26106-100162	72	5
		6
		7
		8
	87	29
	141	30
26106-100252	87	30
26106-100652	7	8
26116-050202	32	12
	33	14
	34	13
26116-060162	38	4
26116-080252	61	24
	151	38
	178	27
26116-080254	57	34
26116-080304	56	20
26116-080952	18	41
26116-100162	113	55
	114	49
	115	49
	116	36
26116-100202	57	35
26116-100302	123	17
	181	17
26116-100454	136	21 -1
26116-100752	172	6
26116-100802	151	39
	155	14
26116-140252	153	25
26116-140352	130	39
	153	26

Parts No.	Fig. No.	Ref. No.
26116-160302	94	7
		7 -1
	107	17
26116-160352	65	3
	88	5
26116-160502	170	7
	209	9
26116-160852	52	12
26347-080002	70	15
	203	8
		16
26347-100002	70	16
	90	27
	99	11 -1
	103	12 -1
26366-060002	43	13
26367-100002	17	53
26450-050102	161	30
	162	15
		28
	165	13
	185	30
	186	15
		28
	189	17
26450-050122	128	15
26450-050182	161	31
	162	16
		29
	165	14
	185	31
	186	16
		29
26450-050302	160	38
	184	38
26450-050502	164	33
	188	33
26450-060162	127	18
	190	18
26450-060302	148	33
26450-060652	160	39
	184	39
26450-080252	121	31
26450-120402	109	6
26476-050142	81	12
26557-030122	102	25
26557-050122	93	23
26559-050202	87	31
26587-040062	61	28
26587-040122	56	21

Parts No.	Fig. No.	Ref. No.
26657-080002	85	31
26706-100002	7	9
26716-060002	19	26
	42	29
26716-080002	19	27
		28
	42	30
	56	22
	57	36
	159	4
	183	36
26716-100002	130	31
	151	40
	155	15
	172	7
26716-160002	52	13
26716-180002	152	12
26756-060002	151	41
26756-080002	61	25
	178	28
41800-310040	1	17
41851-000110	117	30
	131	2
	132	2
	133	22
	134	2
		7
		9
		12
		20
		21
		22
		24
		27
	138	2
	139	2
	143	2
		7
		9
	144	2
		7
		9
	145	2
		7
		13
	149	2
		14
	193	22
	194	2
		4

Parts No. Index

Parts No.	Fig. No.	Ref. No.
41851-000110	194	9
		11
		14
		22
		23
		24
		26
		196
		2
		12
	197	2
		5
		7
		9
		198
	198	2
		5
		7
		9
	199	3
5		
19		
200	2	
	7	
41851-000140	118	22
		119
		22
		132
		9
		133
		4
		6
		10
		13
	138	15
		19
		23
		24
	139	26
		4
	141	6
		8
		11
	179	10
12		
193	22	
	4	
	6	
	10	
	13	
	15	
	19	
	23	
	24	

Parts No.	Fig. No.	Ref. No.
41851-000140	193	26
	196	
41851-000180	199	20
	113	
	56	
	114	
	50	
	115	
	50	
	116	
	37	
	122	
41851-000240	5	
	131	
	4	
	133	
	17	
	139	
	12	
	193	
	17	
	196	
41851-000240	142	18
	166	
	3	
772151-81611-W	173	14
933110-54100	56	23
	57	
	37	
	61	
933147-03400	26	
	178	
	29	
	113	
	57	
933147-08501	114	51
	115	
	51	
	116	
	38	
933152-02710	170	8
	209	
	10	
933168-14170	130	32
933168-55770	113	58
	114	
	52	
	115	
933169-15231	52	39
	19	
933171-13691	29	
	28	
	21	
933171-15801	104	38
	52	
933171-18750	10	
	212	
933171-18750	19	30
	93	
933171-18750	24	

Parts No.	Fig. No.	Ref. No.
-----------	----------	----------

Parts No.	Fig. No.	Ref. No.
-----------	----------	----------

Go to Discount-Equipment.com to order your parts

PARTS FINDER

**Search Website
by Part Number**



**Search Manual
Library For Parts
Manual & Lookup Part
Numbers – Purchase
or Request Quote**

Search Manuals

Enter your information to help us find the right parts manual for your machine.

* Brand:

* Model:

* Serial:

* Part Number:

SEARCH

**Can't Find Part or
Manual? Request Help
by Manufacturer,
Model & Description**

Parts Order Form

Please fill in the following information to help us find the right part for your machine.

Manufacturer:	<input type="text"/>
Model:	<input type="text"/>
Description:	<input type="text"/>
Part Number:	<input type="text"/>
Quantity:	<input type="text"/>
Notes:	<input type="text"/>

Submit

Discount-Equipment.com is your online resource for quality parts & equipment.

Florida: **561-964-4949** Outside Florida TOLL FREE: **877-690-3101**

Need parts?

Click on this link: <http://www.discount-equipment.com/category/5443-parts/> and choose one of the options to help get the right parts and equipment you are looking for. Please have the machine model and serial number available in order to help us get you the correct parts. If you don't find the part on the website or on one of the online manuals, please fill out the request form and one of our experienced staff members will get back to you with a quote for the right part that your machine needs.

We sell worldwide for the brands: Genie, Terex, JLG, MultiQuip, Mikasa, Essick, Whiteman, Mayco, Toro Stone, Diamond Products, Generac Magnum, Airman, Haulotte, Barreto, Power Blanket, Nifty Lift, Atlas Copco, Chicago Pneumatic, Allmand, Miller Curber, Skyjack, Lull, Skytrak, Tsurumi, Husquvarna Target, Stow, Wacker, Sakai, Mi-T-M, Sullair, Basic, Dynapac, MBW, Weber, Bartell, Bennar Newman, Haulotte, Ditch Runner, Menegotti, Morrison, Contec, Buddy, Crown, Edco, Wyco, Bomag, Laymor, EZ Trench, Bil-Jax, F.S. Curtis, Gehl Pavers, Heli, Honda, ICS/PowerGrit, IHI, Partner, Imer, Clipper, MMD, Koshin, Rice, CH&E, General Equipment, Amida, Coleman, NAC, Gradall, Square Shooter, Kent, Stanley, Tamco, Toku, Hatz, Kohler, Robin, Wisconsin, Northrock, Oztec, Toker TK, Rol-Air, APT, Wylie, Ingersoll Rand / Doosan, Innovatech, Con X, Ammann, Mecalac, Makinex, Smith Surface Prep, Small Line, Wanco, Yanmar