

YANMAR

PARTS CATALOG



www.discount-equipment.com

0CS10-M44703EN

Last update Oct., 2019

Go to Discount-Equipment.com to order your parts

PARTS FINDER

**Search Website
by Part Number**



**Search Manual
Library For Parts
Manual & Lookup Part
Numbers – Purchase
or Request Quote**

Search Manuals

Enter your information to help us find the right parts manual for your machine.

* Brand:

* Model:

* Serial:

* Part Number:

SEARCH

**Can't Find Part or
Manual? Request Help
by Manufacturer,
Model & Description**

Parts Order Form

Please fill in the following information to help us find the right part for your machine.

Manufacturer:	<input type="text"/>
Model:	<input type="text"/>
Description:	<input type="text"/>
Part Number:	<input type="text"/>
Quantity:	<input type="text"/>
Notes:	<input type="text"/>
Submit	<input type="button" value="Submit"/>

Discount-Equipment.com is your online resource for quality parts & equipment.

Florida: **561-964-4949** Outside Florida TOLL FREE: **877-690-3101**

Need parts?

Click on this link: <http://www.discount-equipment.com/category/5443-parts/> and choose one of the options to help get the right parts and equipment you are looking for. Please have the machine model and serial number available in order to help us get you the correct parts. If you don't find the part on the website or on one of the online manuals, please fill out the request form and one of our experienced staff members will get back to you with a quote for the right part that your machine needs.

We sell worldwide for the brands: Genie, Terex, JLG, MultiQuip, Mikasa, Essick, Whiteman, Mayco, Toro Stone, Diamond Products, Generac Magnum, Airman, Haulotte, Barreto, Power Blanket, Nifty Lift, Atlas Copco, Chicago Pneumatic, Allmand, Miller Curber, Skyjack, Lull, Skytrak, Tsurumi, Husquvarna Target, Stow, Wacker, Sakai, Mi-T-M, Sullair, Basic, Dynapac, MBW, Weber, Bartell, Bennar Newman, Haulotte, Ditch Runner, Menegotti, Morrison, Contec, Buddy, Crown, Edco, Wyco, Bomag, Laymor, EZ Trench, Bil-Jax, F.S. Curtis, Gehl Pavers, Heli, Honda, ICS/PowerGrit, IHI, Partner, Imer, Clipper, MMD, Koshin, Rice, CH&E, General Equipment, Amida, Coleman, NAC, Gradall, Square Shooter, Kent, Stanley, Tamco, Toku, Hatz, Kohler, Robin, Wisconsin, Northrock, Oztec, Toker TK, Rol-Air, APT, Wylie, Ingersoll Rand / Doosan, Innovatech, Con X, Ammann, Mecalac, Makinex, Smith Surface Prep, Small Line, Wanco, Yanmar

P R E F A C E

1. This Parts Catalog carries Yanmar excavator (crawler back-hoe) Vio20-3 for U.S.A.

2. Parts catalog history

		Parts catalog NO.	Published	Remarks
1st edition	Vehicle	OCS10-G44700	Sep., 2004	Disuse old edition
	Engine	OCB10-G71400		
1st revised	Vehicle	OCS10-G44701	Jun., 2006	Disuse old edition
	Engine	OCB10-G71401		
2nd revised	Vehicle	OCS10-G44702	Feb., 2007	Disuse old edition
	Engine	OCB10-G71401		
3rd revised	Vehicle	OCS10-G44703	Nov., 2010	
	Engine	OCB10-G71401		

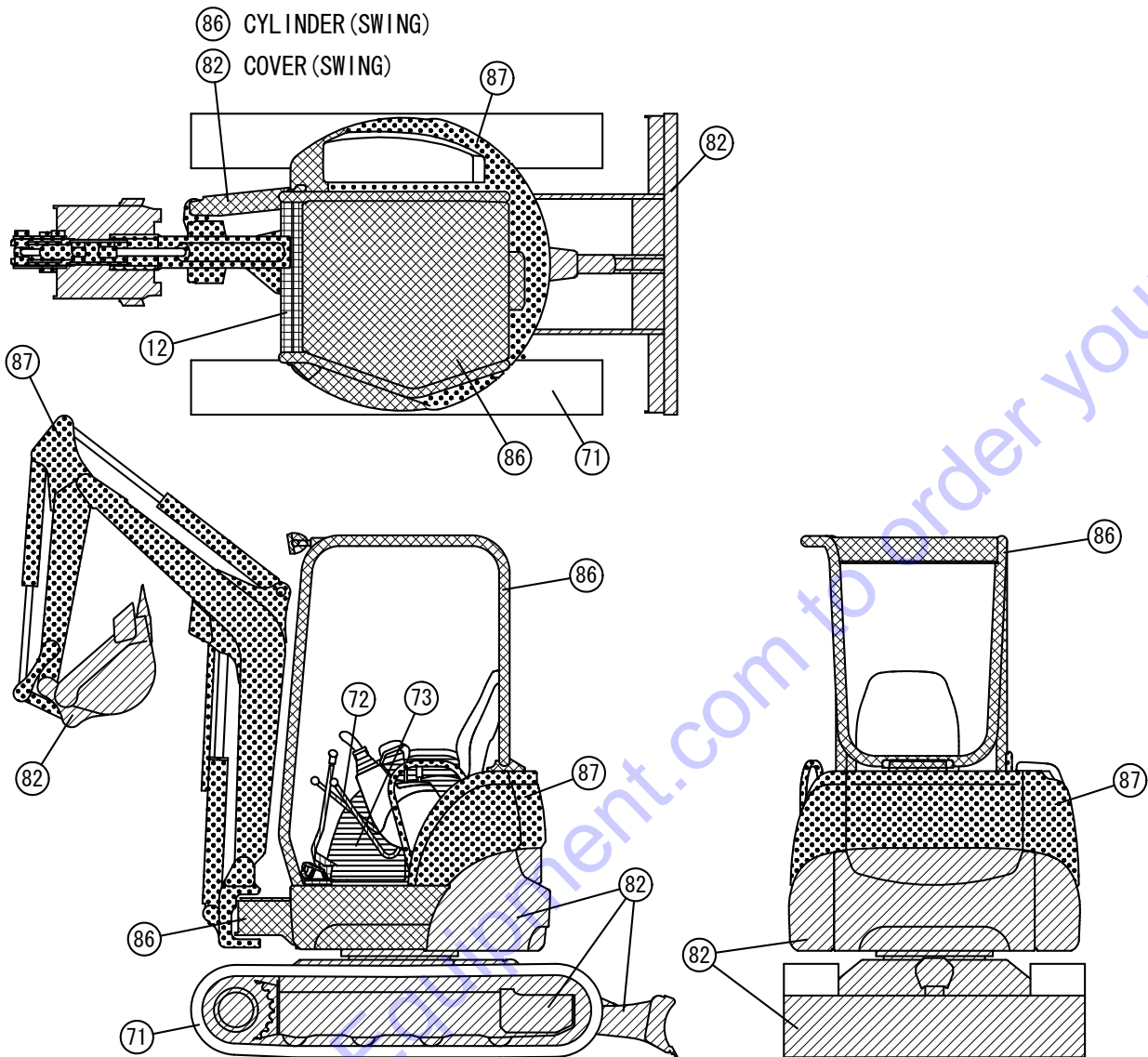
3. Model name






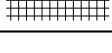
SECTION	Column	Model name	M/#	Manufactured
I (Vehicle)	(A)	Vio20-3 (US)	30506~	2004/05~
	(B)	Vio20-3 (AS)		
	(C)	Vio20-3 (NZ)		
II (Engine)	(A)	3TNV76-PBV	04372~	2004/04~

4. Your understanding is asking that this parts catalog is not a technical data manual setting forth as servicing procedures, This parts catalog is using simplified illustration.

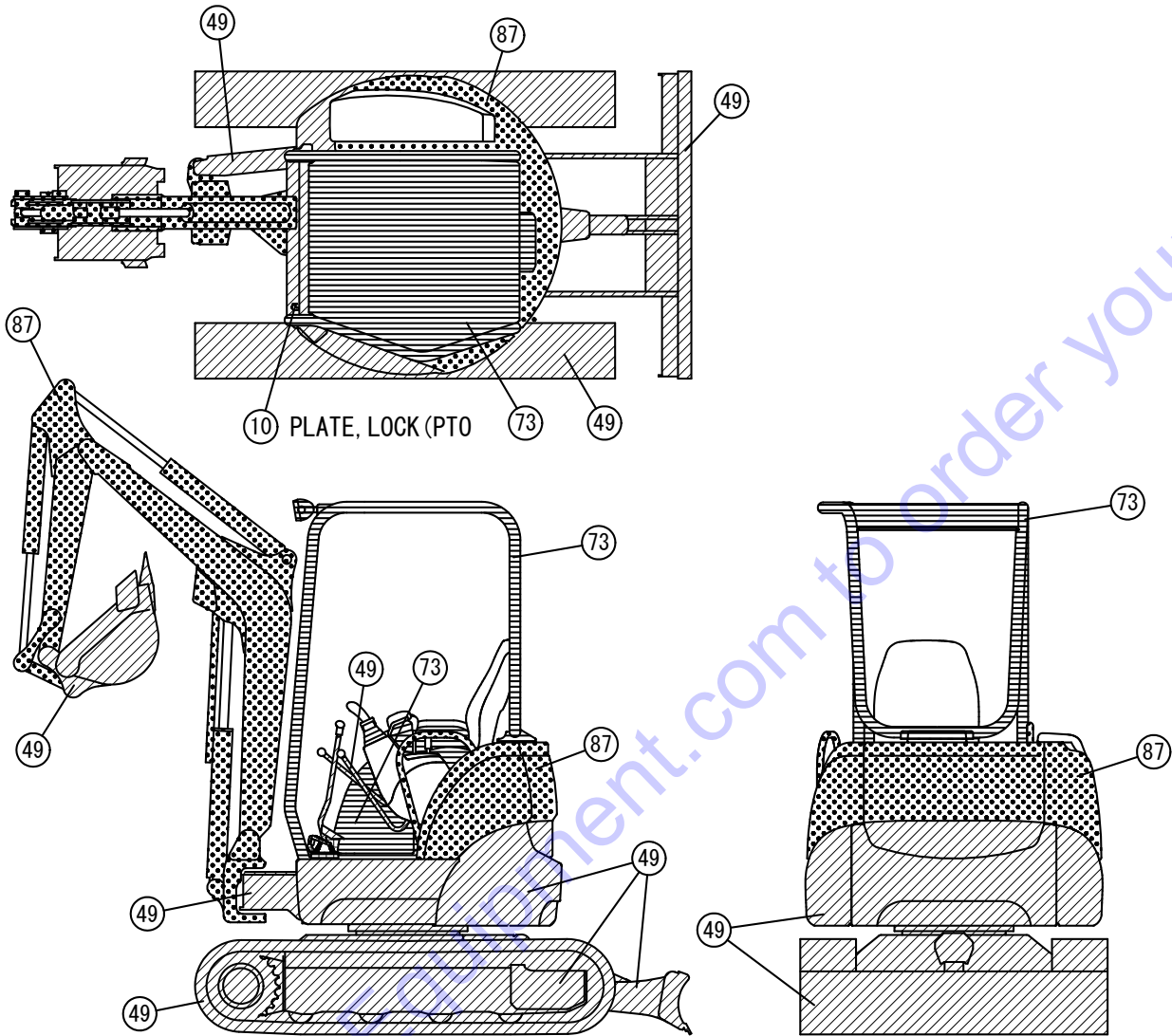
Be sure to use Yanmar Genuine Parts in your maintenance servicing of Yanmar products. Be careful not to use the simple parts available in the market, otherwise their use in repairing causes such as an early breakage, for instance.

VEHICLE PAINTED COLOR (TO M32642)



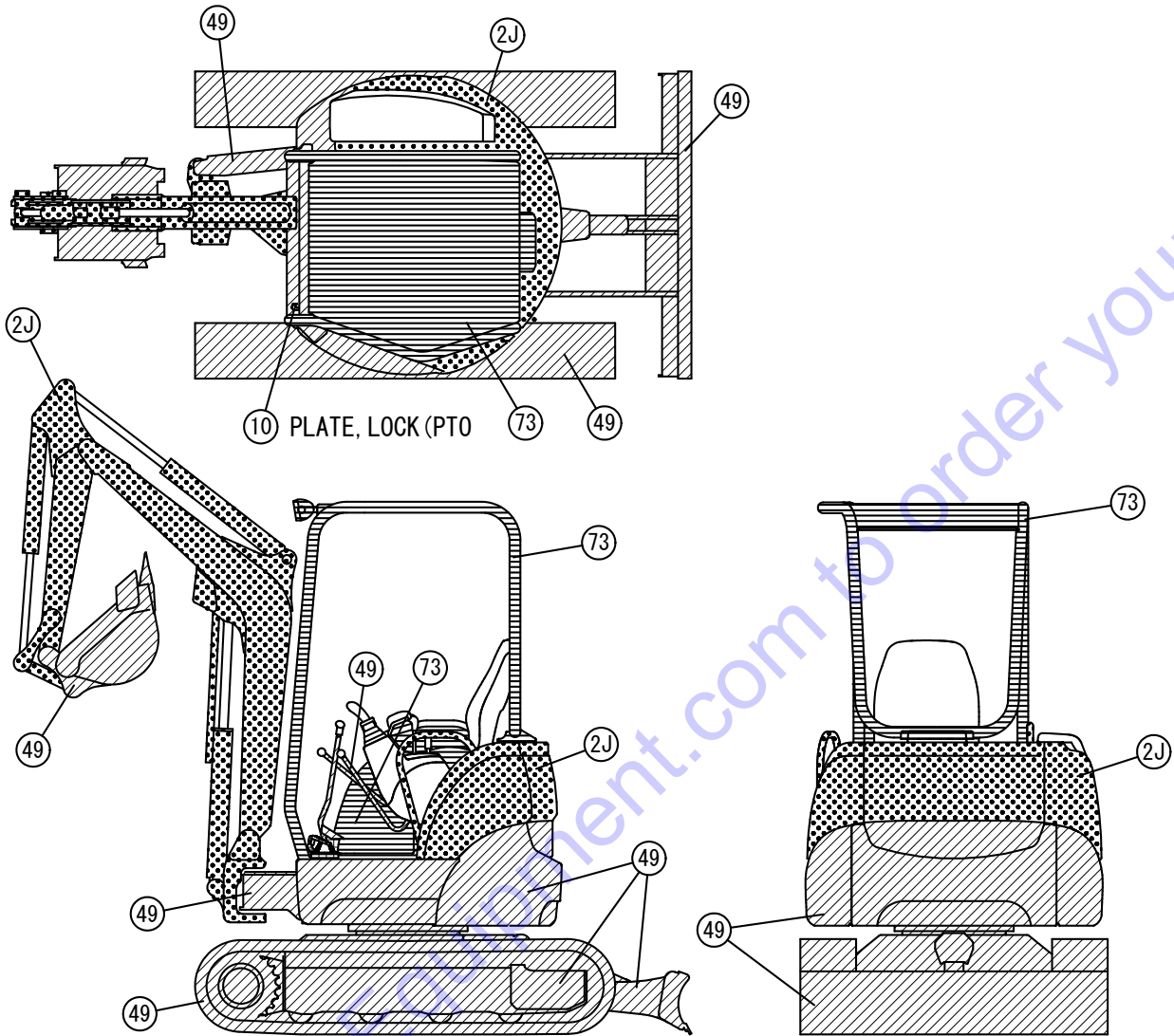
Color Code	Description	Painted Color	Paint Part No.		
			16L Can	4L Can	SPRAY
82		YANMAR Deep Green	981101-09517	977620-40820	977620-30N31
87		YANMAR New Permanent Yellow	981101-09519	977620-40870	977620-30871
86		YANMAR New Grayish Green	981101-09616	977620-40860	977620-30861
72		YANMAR Dark Olive Gray	-----	977620-40720	TOR-94800720
73		YANMAR Warm Gray	-----	-----	TOR-94800730
12		YANMAR Black	-----	TOR-91220001	TOR-94800120
71		YANMAR Charcoal Gray	981101-09516	977620-40710	977620-30371





VEHICLE PAINTED COLOR (FROM M32643 TO M34344)



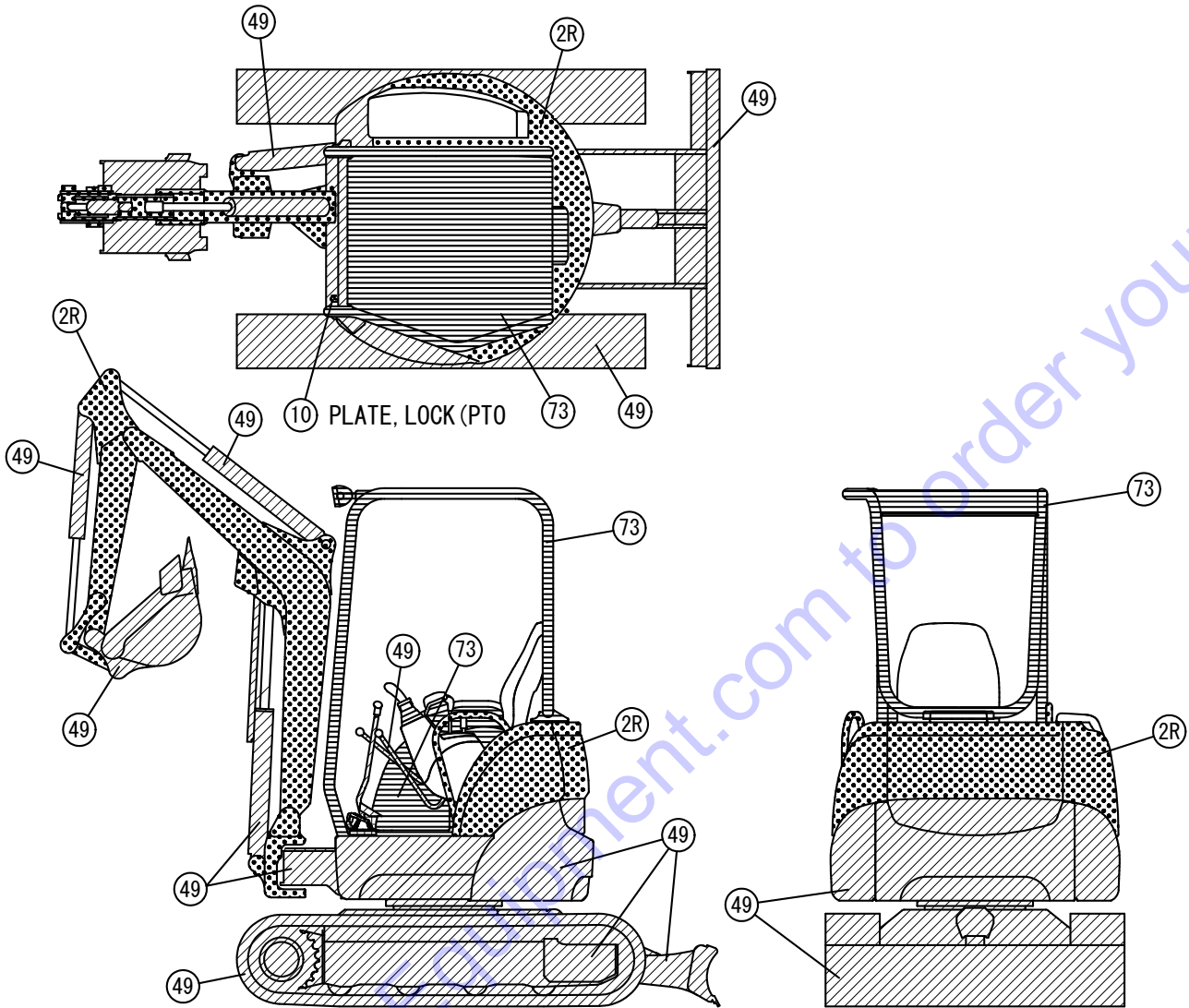
Color Code	Description	Painted Color	Paint Part No.		
			16L Can	4L Can	SPRAY
49		YANMAR Navy Gray	-----	TOR-91390000	TOR-94800490
87		YANMAR New Permanent Yellow	981101-09519	977620-40870	977620-30871
73		YANMAR Warm Gray	-----	-----	TOR-94800730
10		YANMAR Red 2	-----	TOR-91000002	TOR-94800100





VEHICLE PAINTED COLOR (FROM M34345 TO M45500)



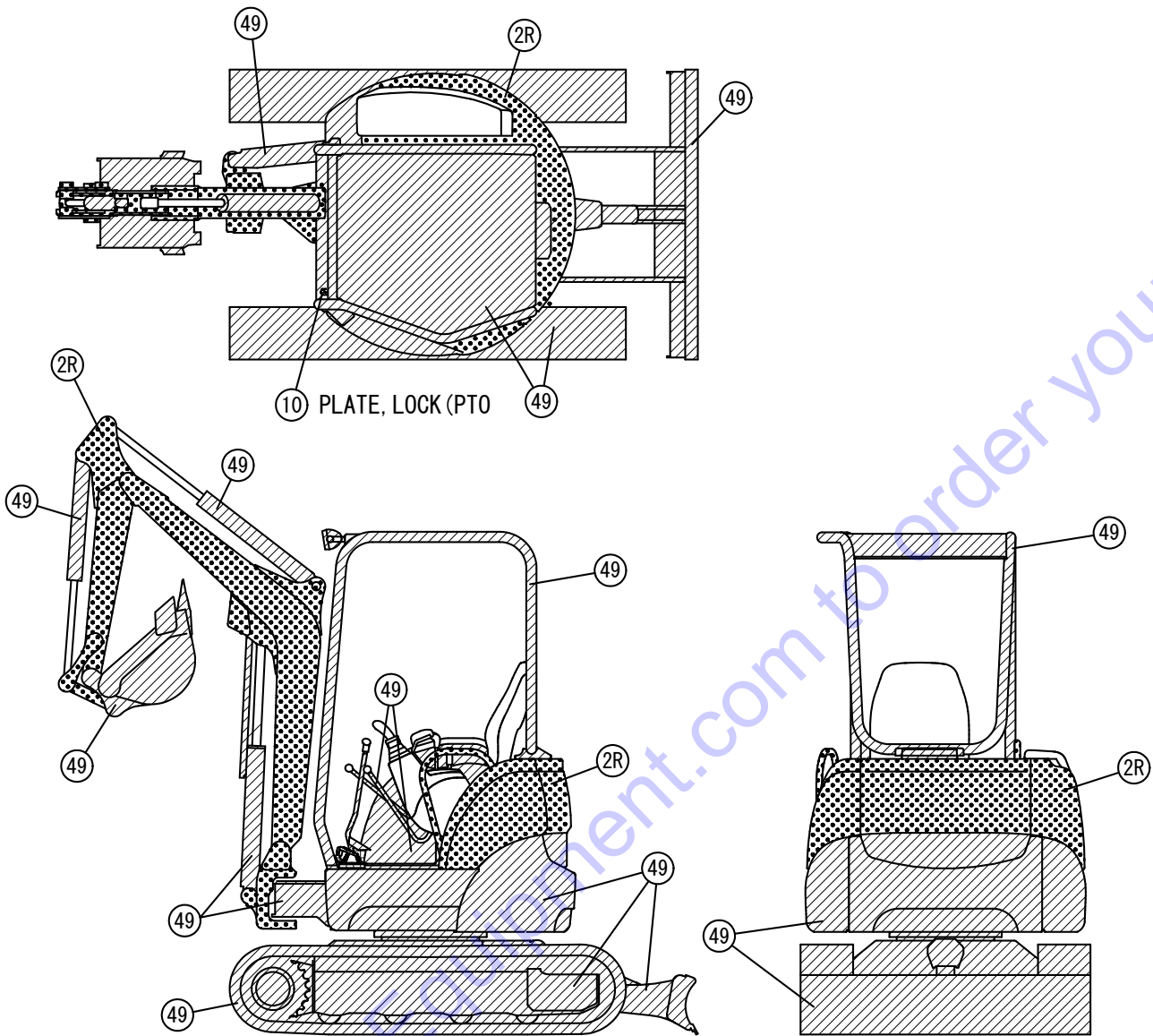
Color Code	Description	Painted Color	Paint Part No.		
			16L Can	4L Can	SPRAY
49		YANMAR Navy Gray	-----	TOR-91390000	TOR-94800490
2J		YANMAR New Permanent Yellow 2	981101-09520	977620-40871	977620-30872
73		YANMAR Warm Gray	-----	-----	TOR-94800730
10		YANMAR Red 2	-----	TOR-91000002	TOR-94800100




VEHICLE PAINTED COLOR (FROM M45501 TO MEF000)



Color Code	Description	Painted Color	Paint Part No.		
			16L Can	4L Can	SPRAY
49		YANMAR Navy Gray	-----	TOR-91390000	TOR-94800490
2R		YANMAR Turmeric Yellow	-----	977620-41001	977620-41002
73		YANMAR Warm Gray	-----	-----	TOR-94800730
10		YANMAR Red 2	-----	TOR-91000002	TOR-94800100

VEHICLE PAINTED COLOR (FROM MEF001)



Color Code	Description	Painted Color	Paint Part No.		
			16L Can	4L Can	SPRAY
49		YANMAR Navy Gray	-----	TOR-91390001	TOR-94800491
2R		YANMAR Turmeric Yellow	-----	977620-41001	977620-41002
10		YANMAR Red 2	-----	TOR-91000002	TOR-94800100

PICTURESQUE INDEX (1) ■ ■ ■ MAIN PARTS

1. LABEL & ACCESSORY

Fig. 1~4, 94

14. OPTIONAL & KIT

Fig. 85, 98~100

3. ELECTRICAL PARTS

Fig. 11~16

REAR

10. CANOPY

Fig. 40

8. AROUND SEAT

Fig. 34~36, 95~97

2. ENGINE RELATED

Fig. 5~10, 39

9. BONNET

Fig. 37, 38

5. CONTROL EQUIPMENT

Fig. 20~27

12. HYDRAULIC OIL PIPING

Fig. 63~74, 92

RIGHT

6. FRAME

Fig. 28, 29

13. IMPLEMENT

Fig. 75~82

FRONT

7. COVER

Fig. 30~33

4. TRAVELING

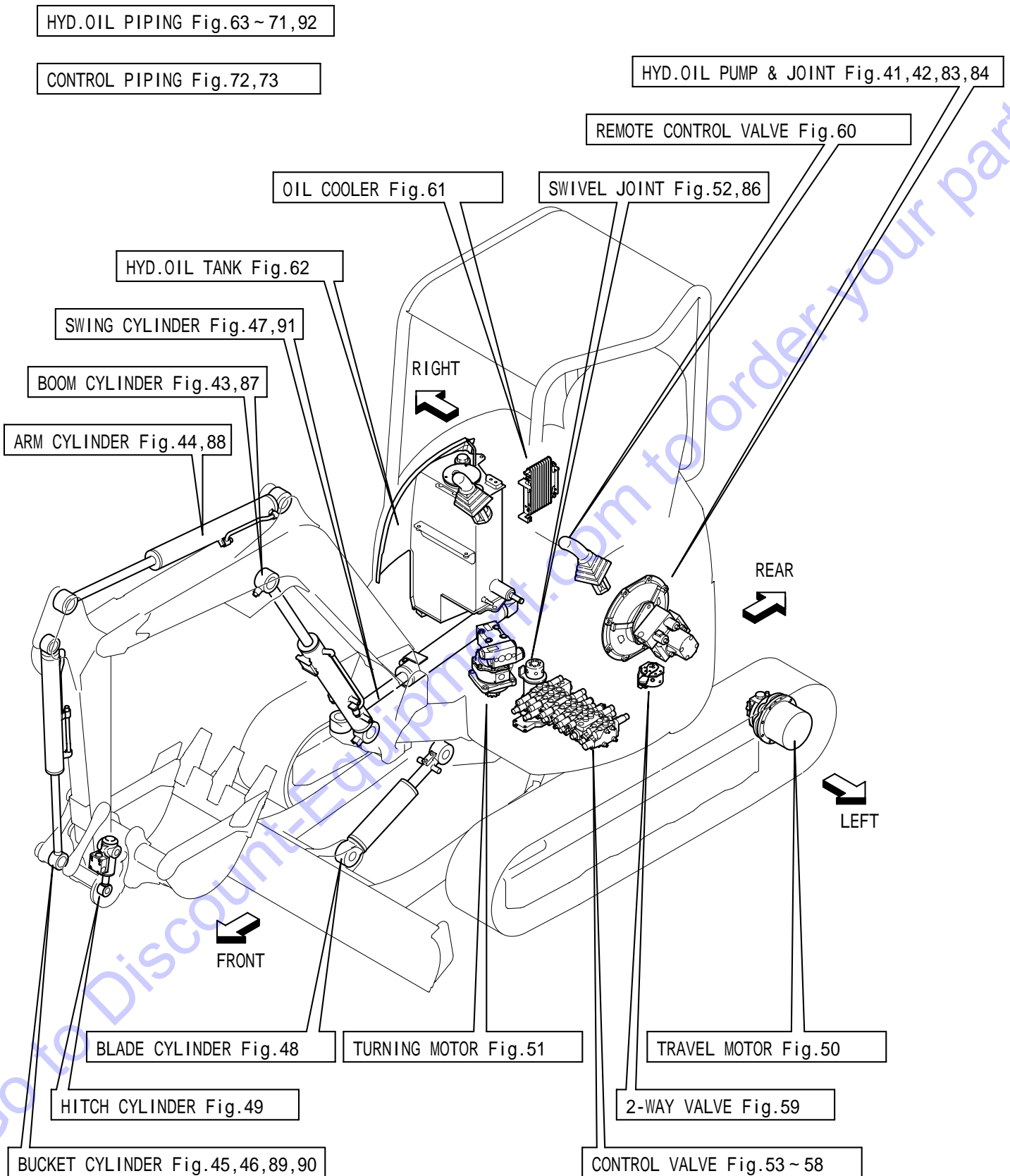
Fig. 17~19, 93

LEFT

11. HYDRAULIC OIL EQUIPMENT

Fig. 41~62, 83, 84, 86~91

PICTURESQUE INDEX(2) • • • HYDRAULIC SECTION



Contents

OCS10-M44703

Fig. No. Fig. Name

LABEL & ACCESSORY

1. LABEL(TO MEF000)
94. (1A)LABEL(FROM MEF001)
2. LABEL(QUICK COUPLER)(Y SPEC.)
3. LABEL(SAFETY)
4. LABEL(SAFETY)(QUICK COUPLER)(Y SPEC.)

ENGINE RELATED

5. MUFFLER & AIR CLEANER
6. ACCELERATOR LEVER
7. ENGINE MOUNT
8. RADIATOR & MOUNT
9. FUEL TANK
10. FUEL PIPING
39. DUCT

ELECTRICAL PARTS

11. BATTERY
12. WIRING
13. EQUIPMENT
14. TRAVEL ALARM
15. QUICK COUPLER(SWITCH BOX)
16. WORK LAMP & CANOPY LAMP

Fig. No. Fig. Name

TRAVELING

17. SPROCKET & ROLLER
93. (17A)TRACK ROLLER(S SPEC.)
18. IDLER & ADJUST
19. CRAWLER

CONTROL EQUIPMENT

20. LOCK LEVER & STAND(RIGHT)
21. LOCK LEVER & STAND(LEFT)
22. TRAVEL LEVER
23. BLADE LEVER
24. SWING PEDAL
25. LOW-HIGH PEDAL
26. P.T.O. PEDAL
27. CONTROL VALVE PLATE

FRAME

28. TURNING FRAME
29. TRAVEL FRAME & TURNING BEARING

COVER

30. COVER(FRAME)
31. COVER(AROUND THE CONTROL)
32. COVER(BOOM)
33. COVER(CANOPY)

Go to Discount-Equipment.com to order your parts

Contents

OCS10-M44703

Fig. No. Fig. Name

AROUND SEAT

- 34. STEP
- 35. INSTRUMENT PANEL & ARMREST
- 36. SEAT & SEAT MOUNT(TO MEF098)
- 95. (36A)SEAT(FROM MEF099)
- 96. (36B)SEAT MOUNT(FROM MEF099)
- 97. (36C)SEAT BELT(FROM MEF099)

BONNET

- 37. BONNET(1)
- 38. BONNET(2)

CANOPY

- 40. CANOPY

HYDRAULIC OIL EQUIPMENT

- 41. HYDRAULIC PUMP & JOINT(TO M36239)
- 83. (41A)HYDRAULIC PUMP & JOINT(FROM M36240)
- 42. HYDRAULIC PUMP & JOINT(QUICK COUPLER SPEC.)(TO M36239)
- 84. (42A)HYDRAULIC PUMP & JOINT(QUICK COUPLER SPEC.)(FROM M36240)
- 43. BOOM CYLINDER(Y SPEC.)
- 87. (43A)BOOM CYLINDER(K SPEC.)
- 44. ARM CYLINDER(Y SPEC.)
- 88. (44A)ARM CYLINDER(K SPEC.)

Fig. No. Fig. Name

- 45. BUCKET CYLINDER(Y SPEC.)
- 89. (45A)BUCKET CYLINDER(K SPEC.)
- 46. BUCKET CYLINDER(QUICK COUPLER SPEC.)(Y SPEC.)
- 90. (46A)BUCKET CYLINDER(QUICK COUPLER SPEC.)(K SPEC.)
- 47. SWING CYLINDER(Y SPEC.)
- 91. (47A)SWING CYLINDER(K SPEC.)
- 48. BLADE CYLINDER
- 49. HITCH CYLINDER(QUICK COUPLER)(Y SPEC.)
- 50. TRAVEL MOTOR
- 51. TURNING MOTOR
- 52. SWIVEL JOINT(Y SPEC.)TO M39318
- 86. (52A)SWIVEL JOINT(N SPEC.)(FROM M39319)
- 53. CONTROL VALVE(1/6)
- 54. CONTROL VALVE(2/6)
- 55. CONTROL VALVE(3/6)
- 56. CONTROL VALVE(4/6)
- 57. CONTROL VALVE(5/6)
- 58. CONTROL VALVE(6/6)
- 59. 2-WAY VALVE
- 60. REMOTE CONTROL VALVE
- 61. OIL COOLER
- 62. HYD.OIL.TANK

HYDRAULIC OIL PIPING

- 63. TANK - PUMP & CONTROL VALVE

Contents

0CS10-M44703

Fig. No. Fig. Name

- 64. PUMP & CONTROL VALVE - TURNING MOTOR
- 65. CONTROL VALVE - SWIVEL JOINT & SWING CYLINDER
- 66. RETURN
- 67. P.T.O.(FRAME END)
- 68. TRAVEL FRAME
- 69. CONTROL VALVE - BOOM, ARM & BUCKET
- 70. P.T.O.(ARM END)
- 71. QUICK COUPLER(Y SPEC.)
- 92. (71A)QUICK COUPLER(EXCEPT Y SPEC.)
- 72. CONTROL PIPING(PUMP - CONTROL VALVE - RETURN)
- 73. CONTROL PIPING(REMOTE CONTROL VALVE - 2WAY VALVE - CONTROL VALVE)
- 74. GREASING

Fig. No. Fig. Name

- 98. SEAT KIT(OPTIONAL)(REPAIR PARTS)
- 99. SEAT KIT(OPTIONAL)
- 100. SEAT KIT(OPTIONAL)

IMPLEMENT

- 75. BOOM BRACKET
- 76. BOOM
- 77. ARM
- 78. ARM(QUICK COUPLER SPEC.)
- 79. BUCKET ARM & LINK
- 80. BUCKET
- 81. QUICK COUPLER(Y SPEC.)
- 82. BLADE

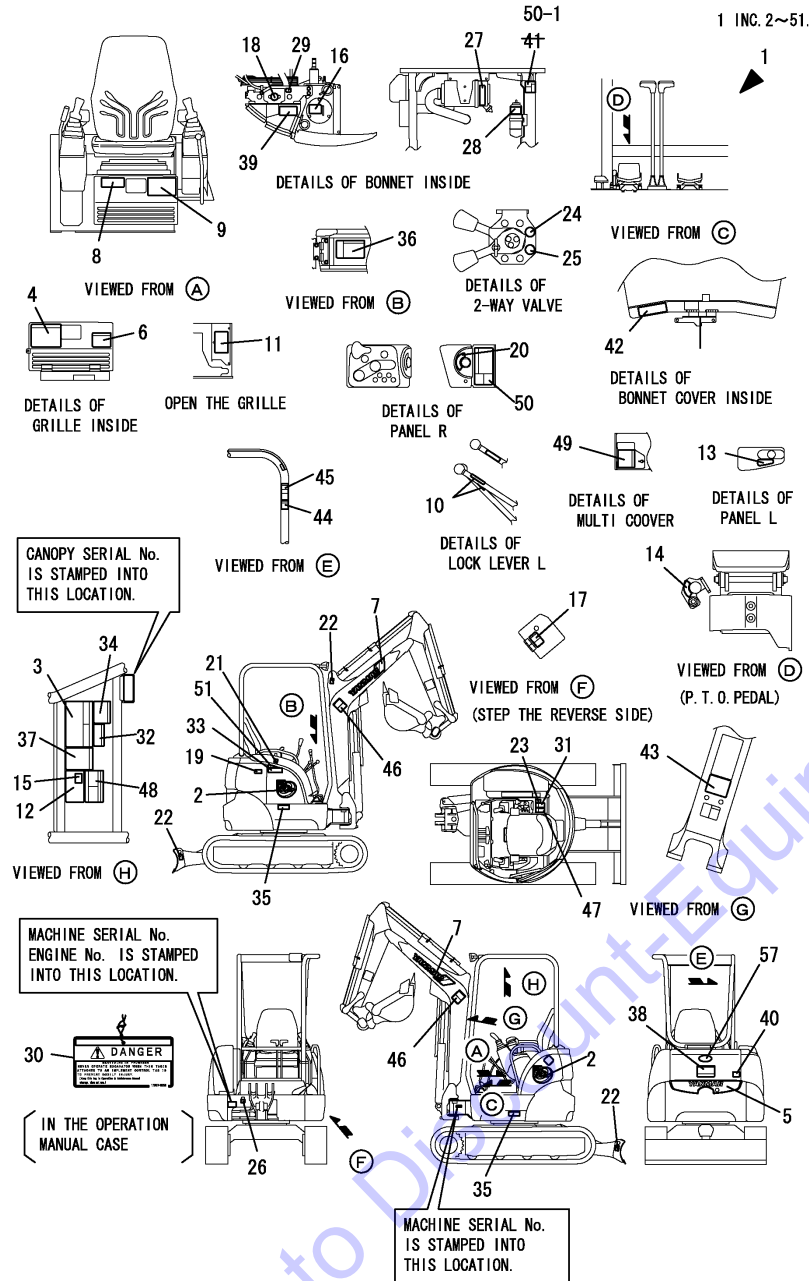
OPTIONAL & KIT

- 85. LABEL KIT FOR CANADA(OPTIONAL)

Fig.1. LABEL(TO MEF000)

(A)=VIO20-3(US)
(B)=VIO20-3(AS)
(C)=VIO20-3(NZ)

(D)=
(E)=
(F)=



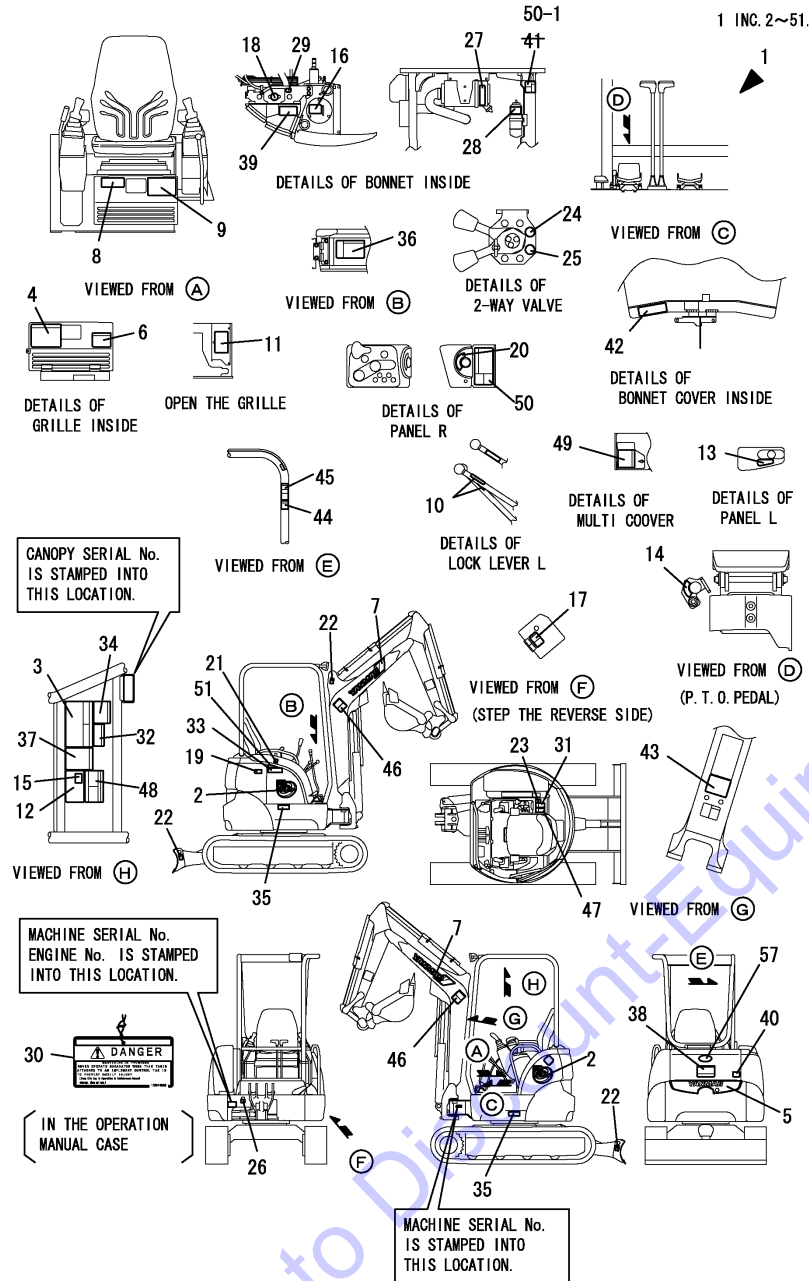
No.	Lev.	Parts No.	Description	Q'ty						I	R
				(A)	(B)	(C)	(D)	(E)	(F)		
1	1	772A36-03110	LABEL SET,VIO20-3 US	1	1	1					
1-1	1	172A36-03500	SET,LABEL VIO20-3US	1	1	1					S
		(A=M45019) (B=M45019) (C=M45019)									
1-2	1	172A36-03501	SET,LABEL VIO20-3US	1	1	1					S
		(A=M45501) (B=M45501) (C=M45501)									
2	2	172469-03121	LABEL, MODEL	2	2	2					
2-1	2	172A23-03120	LABEL,MODEL	2	2	2					N
		(A=M45501) (B=M45501) (C=M45501)									
3	2	172469-03131	LABEL, LIFT US	1	1	1					
3-1	2	172469-03132	LABEL, LIFT US	1	1	1					N
		(A=M33952) (B=M33952) (C=M33952)									
4	2	172469-03140	LABEL,OIL&WATER	1	1	1					
5	2	172458-03160	LABEL, REAR	1	1	1					
6	2	172472-03160	LABEL,GREASE	1	1	1					
7	2	172524-03271	LABEL, REAR	2	2	2					
7-1	2	172A55-03310	LABEL, BRAND 450	2	2	2					N
		(A=M/#32637) (B=M/#32637) (C=M/#32637)									
7-2	2	172A86-03310	LABEL, YANMAR	2	2	2					N
		(A=M45501) (B=M45501) (C=M45501)									
8	2	172A36-03110	LABEL,SPECIFICATION	1	1	1					
8-1	2	172A36-03111	LABEL, SPECIFICATION	1	1	1					N
		(A=M/#31177) (B=M/#31177) (C=M/#31177)									
8-2	2	172A36-03112	LABEL,SPEC US	1	1	1					S
		(A=M45019) (B=M45019) (C=M45019)									
9	2	172472-03140	LABEL,SUPORT US	1	1	1					
9-1	2	172472-03141	LABEL, SUPPORT	1	1	1					N
		(A=M/#31399) (B=M/#31399) (C=M/#31399)									
10	2	172183-03280	LABEL, LOCK	2	2	2					
11	2	172472-03171	LABEL,FUSE US	1	1	1					
12	2	172490-03200	LABEL, OPERATION	1	1	1					
13	2	172458-03220	LABEL, ACCELERATOR	1	1	1					
14	2	172458-03240	LABEL, LOCK	1	1	1					
15	2	172496-03250	LABEL, PTO	1	1	1					
16	2	172463-03290	LABEL, HYD.OIL	1	1	1					
17	2	172438-03300	LABEL, PTO SELECT	1	1	1					
18	2	172462-03320	LABEL, RADIATOR	1	1	1					
19	2	172463-03330	LABEL,COVER	1	1	1					
20	2	172141-03360	LABEL, START SWITCH	1	1	1					
20-1	2	172A64-03700	LABEL, START SWITCH	1	1	1					R
		(A=M34222) (B=M34222) (C=M34222)									
21	2	172437-03500	LABEL, FUEL	1	1	1					
21-1	2	172437-03501	LABEL, FUEL	1	1	1					N
		(A=M/#31399) (B=M/#31399) (C=M/#31399)									
22	2	172437-03510	LABEL, HOOK	4	4	4					
22-1	2	172437-03511	LABEL, HOOK	4	4	4					N
		(A=M/#31399) (B=M/#31399) (C=M/#31399)									
22-2	2	172437-03511	LABEL, HOOK	3	3	3					K
		(A=M/#31553) (B=M/#31553) (C=M/#31553)									
23	2	172437-03530	LABEL,RE-START	1							Z
		(A=M30506)									
24	2	172437-03610	LABEL	1	1	1					

Remarks
(1)Rubber crawler specification.

Fig.1. LABEL(TO MEF000)

(A)=VIO20-3(US)
 (B)=VIO20-3(AS)
 (C)=VIO20-3(NZ)

(D)=
 (E)=
 (F)=



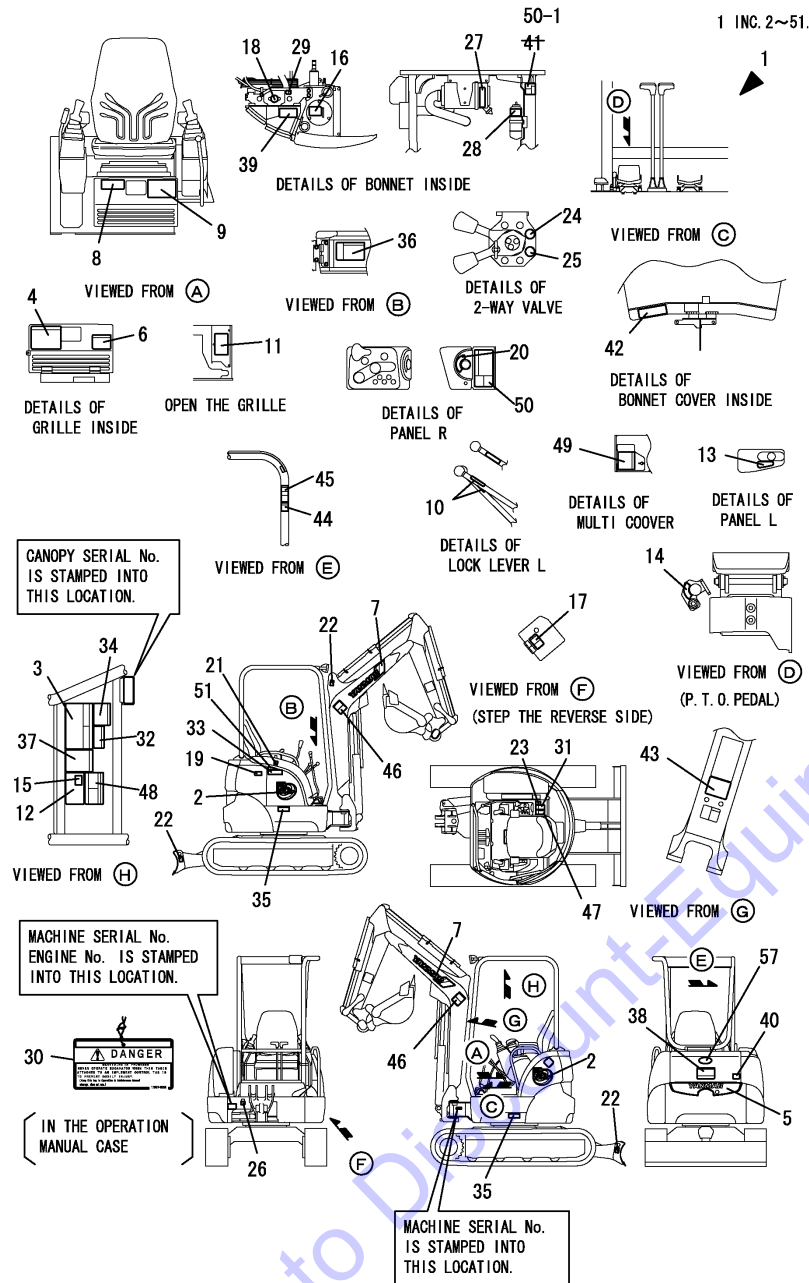
No.	Lev.	Parts No.	Description	Q'ty						I	R
				(A)	(B)	(C)	(D)	(E)	(F)		
25	2	172437-03620	LABEL	1	1	1					
26	2	172157-03740	LABEL	1	1	1					
26-1	2	172157-03741	LABEL, GREASE US	1	1	1					N
		(A=M/#31399) (B=M/#31399) (C=M/#31399)									
27	2	172125-03950	LABEL, AIR CLEANER	1	1	1					
27-1	2	172125-03951	LABEL, AIR CLEANER	1	1	1					N
		(A=M/#31399) (B=M/#31399) (C=M/#31399)									
28	2	124764-44810	LABEL, SUB TANK	1	1	1					
28-1	2	172A38-03200	LABEL, SUB-TANK US	1	1	1					N
		(A=M/#31399) (B=M/#31399) (C=M/#31399)									
28-2	2	172A38-03201	LABEL, SUB TANK	1	1	1					N
		(A=M/#32637) (B=M/#32637) (C=M/#32637)									
29	2	124764-44920	LABEL, ANTI-FREEZING	1	1	1					
29-1	2	172A38-03210	LABEL, ANTI-FREEZING	1	1	1					N
		(A=M/#31399) (B=M/#31399) (C=M/#31399)									
29-2	2	172A38-03211	LABEL, ANTI-FREEZING	1	1	1					N
		(A=M/#32637) (B=M/#32637) (C=M/#32637)									
30	2	172437-03250	TAG ASSY, CAUTION	1	1	1					
30-1	2	172437-03251	TAG ASSY, CAUTION	1	1	1					N
		(A=M/#32044) (B=M/#32044) (C=M/#32044)									
30-2	2	172437-03252	TAG ASSY, CAUTION	1	1	1					N
		(A=M/#32637) (B=M/#32637) (C=M/#32637)									
31	2	172437-03300	LABEL, MANUAL	1	1	1					
31-1	2	172437-03301	LABEL, MANUAL US	1	1	1					N
		(A=M/#31399) (B=M/#31399) (C=M/#31399)									
31-2	2	172437-03302	LABEL, MANUAL	1	1	1					N
		(A=M/#32637) (B=M/#32637) (C=M/#32637)									
32	2	172437-03310	LABEL, SLOPE	1	1	1					
32-1	2	172437-03311	LABEL, SLOPE US	1	1	1					N
		(A=M/#31399) (B=M/#31399) (C=M/#31399)									
32-2	2	172437-03312	LABEL, SLOPE	1	1	1					N
		(A=M/#32044) (B=M/#32044) (C=M/#32044)									
33	2	172437-03321	LABEL, HYD. OIL TANK	1	1	1					
33-1	2	172437-03322	LABEL, RESEVOIR	1	1	1					N
		(A=M/#31399) (B=M/#31399) (C=M/#31399)									
34	2	172437-03341	LABEL, TRANSPORT	1	1	1					
34-1	2	172437-03342	LABEL, TRANSPORT US	1	1	1					N
		(A=M/#31399) (B=M/#31399) (C=M/#31399)									
34-2	2	172437-03343	LABEL, TRANSPORT	1	1	1					N
		(A=M/#32637) (B=M/#32637) (C=M/#32637)									
35	2	172437-03351	LABEL, GREASE CYL.	2	2	2					
35-1	2	172437-03352	LABEL, CYLINDER	2	2	2					N
		(A=M/#31399) (B=M/#31399) (C=M/#31399)									
36	2	172437-03360	LABEL, BATTERY	1	1	1					
36-1	2	172437-03361	LABEL, BATTERY	1	1	1					N
		(A=M/#31399) (B=M/#31399) (C=M/#31399)									
37	2	172437-03371	LABEL	1	1	1					
37-1	2	172437-03372	LABEL, NEUTRAL	1	1	1					N
		(A=M/#31399) (B=M/#31399) (C=M/#31399)									
38	2	172437-03380	LABEL, SWING AREA	1	1	1					
38-1	2	172437-03381	LABEL, SWING AREA	1	1	1					N

Remarks
 (1)Rubber crawler specification.

Fig.1. LABEL(TO MEF000)

(A)=VIO20-3(US)
 (B)=VIO20-3(AS)
 (C)=VIO20-3(NZ)

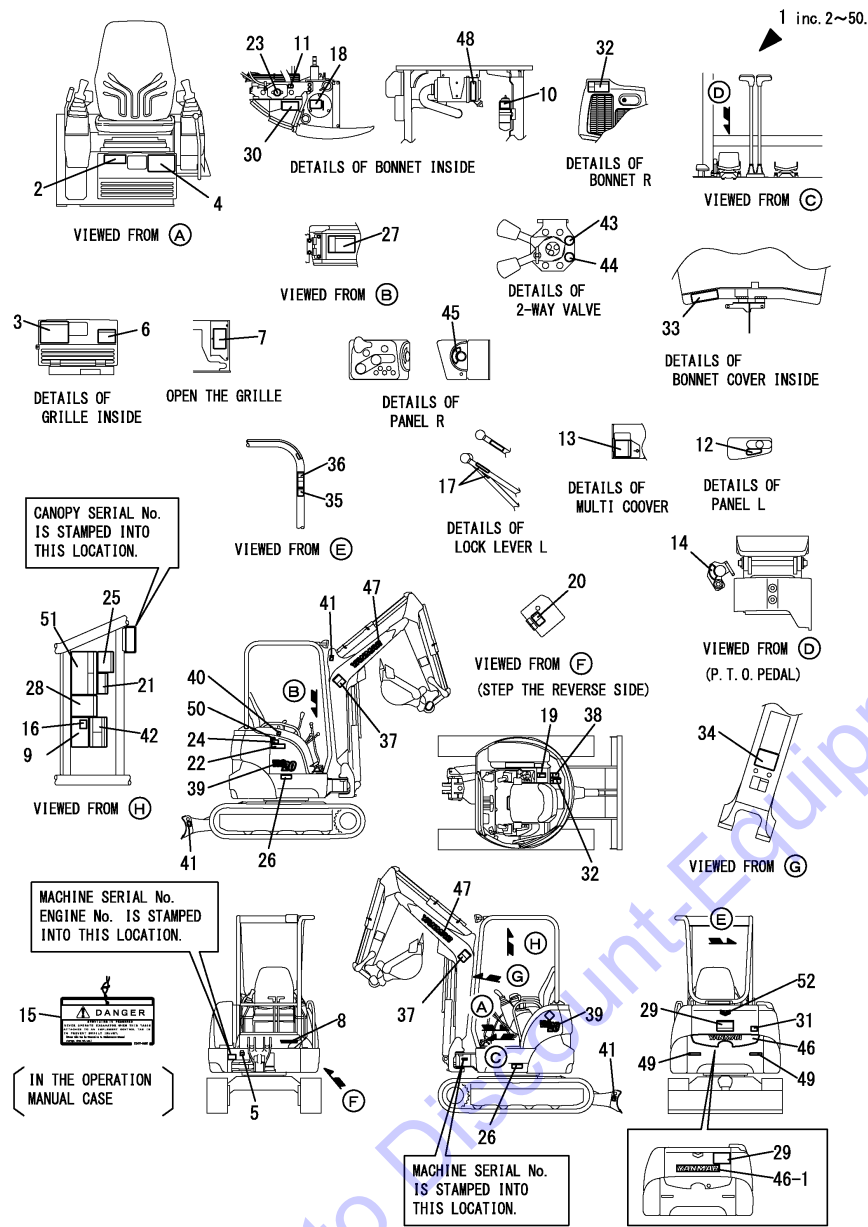
(D)=
 (E)=
 (F)=



No.	Lev.	Parts No.	Description	Q'ty						I	R
				(A)	(B)	(C)	(D)	(E)	(F)		
39	2	(A=M/#31399) 172437-03390	(B=M/#31399) LABEL,RADIATOR								
39-1	2	(C=M/#31399) 172437-03391	(A=M/#31399) LABEL, RADIATOR	1	1	1					N
40	2	(A=M/#31399) 172437-03401	(B=M/#31399) LABEL (ENG COVER US								
40-1	2	(C=M/#31399) 172437-03402	(A=M/#31399) LABEL, ENGINE COVER	1	1	1					N
41	2	(A=M/#31399) 172437-03411	(B=M/#31399) LABEL (ENG ROOM US								
41-1	2	(C=M/#31399) 172437-03411	(A=M/#30501) LABEL (ENG ROOM US	1							Z
42	2	(A=M/#31399) 172437-03421	(B=M/#31399) LABEL,MUFFLER								
42-1	2	(C=M/#31399) 172437-03422	(A=M/#31399) LABEL, MUFFLER	1	1	1					N
43	2	(A=M/#31399) 172437-03431	(B=M/#31399) LABEL,STEERING								
43-1	2	(C=M/#31399) 172437-03432	(A=M/#31399) LABEL, STEERING	1	1	1					N
44	2	(A=M/#31399) 172437-03440	(B=M/#31399) LABEL,ROPS								
44-1	2	(C=M/#31399) 172437-03441	(A=M/#31399) LABEL, ROPS	1	1	1					N
45	2	(A=M/#31399) 172437-03450	(B=M/#31399) LABEL,SEAT BELT								
45-1	2	(C=M/#31399) 172437-03451	(A=M/#31399) LABEL, SEAT BELT	1	1	1					N
46	2	(A=M/#31399) 172437-03460	(B=M/#31399) LABEL, BOOM								
46-1	2	(C=M/#31399) 172437-03461	(A=M/#31399) LABEL, BOOM	2	2	2					N
47	2	(A=M/#31399) 172437-03470	(B=M/#31399) LABEL,LEVER LOCK								
47-1	2	(C=M/#31399) 172437-03471	(A=M/#31399) LABEL, LEVER LOCK	1	1	1					N
48	2	(A=M/#31399) 172437-03600	(B=M/#31399) LABEL								
48-1	2	(C=M/#31399) 172437-03601	(A=M/#31399) LABEL, 2-WAY US	1	1	1					N
49	2	(A=M/#31399) 172437-03241	(B=M/#31399) LABEL,CRAWLER								
49-1	2	(C=M/#31399) 172437-03242	(A=M/#31399) LABEL, CRAWLER	1	1	1					N 1
50	2	(A=M/#31399) 172A36-03410	(B=M/#31399) LABEL, ENGINE ROOM								
50-1	2	(C=M/#31399) 172A36-03411	(A=M/#30501) LABEL, ENGINE ROOM	1	1	1					N
51	2	(A=M35238) 114110-07760	(B=M35238) LABEL, FUEL CAUTION								
51-1	2	(C=M35238) 114110-07761	(A=M35238) LABEL, FUEL OIL CAUT	1	1	1					N
57	1	(A=M45043) 172A64-03050	(B=M45043) EMBLEM ASSY								
57-1	1	(C=M45043) 172A64-03050	(A=M45501) EMBLEM ASSY	1	1	1					W

Remarks
 (1)Rubber crawler specification.

Fig.94. (1A)LABEL(FROM MEF001)



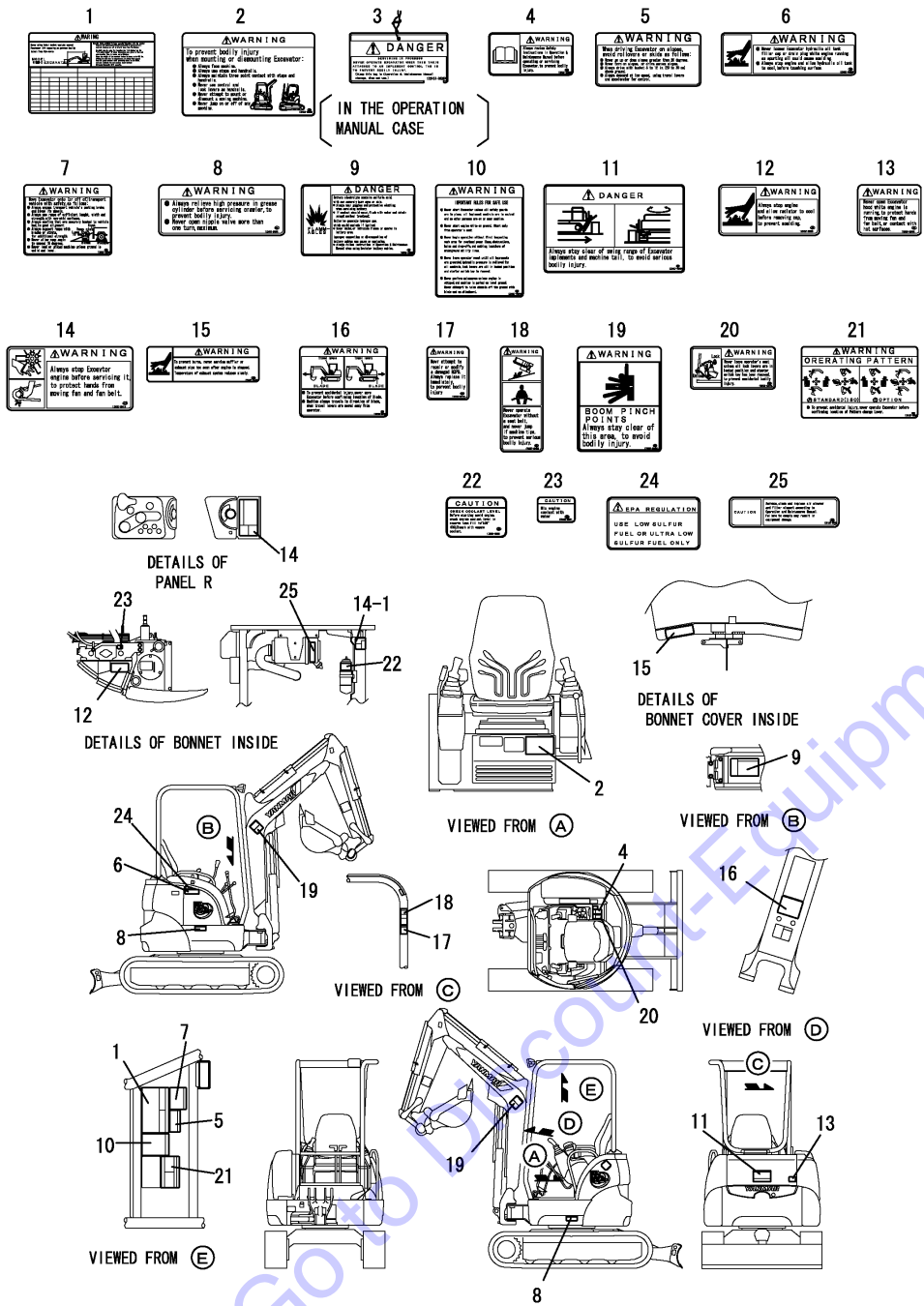
(A)=VIO20-3(US)
(B)=VIO20-3(AS)
(C)=VIO20-3(NZ)

(D)=
(E)=
(F)=

No.	Lev.	Parts No.	Description	Q'ty						I	R
				(A)	(B)	(C)	(D)	(E)	(F)		
1	1	172A36-03502	LABEL SET,VIO20-3USD	1	1	1					
1-1	1	172A36-03503	LABEL SET,VIO20-3USD	1	1	1					S
		(A=MEF108) (B=MEF108) (C=MEF108)									
2	2	172A36-03112	LABEL,SPEC US	1	1	1					
3	2	172469-03140	LABEL,OIL&WATER	1	1	1					
4	2	172472-03141	LABEL,SUPPORT	1	1	1					
5	2	172A23-03140	LABEL,GREASE	1	1	1					
6	2	172472-03160	LABEL,GREASE	1	1	1					
7	2	172472-03171	LABEL,FUSE US	1	1	1					
8	2	172B16-03180	LABEL,BRANDLOGO 200	1	1	1					
9	2	172490-03200	LABEL, OPERATION	1	1	1					
10	2	172A38-03201	LABEL, SUB TANK	1	1	1					
11	2	172A38-03211	LABEL, ANTI-FREEZING	1	1	1					
12	2	172458-03220	LABEL, ACCELERATOR	1	1	1					
13	2	172437-03242	LABEL, CRAWLER	1	1	1					1
14	2	172458-03240	LABEL, LOCK	1	1	1					
15	2	172437-03252	TAG ASSY, CAUTION	1	1	1					
16	2	172496-03250	LABEL, PTO	1	1	1					
17	2	172183-03280	LABEL, LOCK	2	2	2					
18	2	172463-03290	LABEL, HYD.OIL	1	1	1					
19	2	172437-03302	LABEL, MANUAL	1	1	1					
20	2	172438-03300	LABEL, PTO SELECT	1	1	1					
21	2	172437-03312	LABEL, SLOPE	1	1	1					
22	2	172437-03322	LABEL, RESEVOIR	1	1	1					
23	2	172462-03320	LABEL, RADIATOR	1	1	1					
24	2	172463-03330	LABEL, COVER	1	1	1					
25	2	172437-03343	LABEL, TRANSPORT	1	1	1					
26	2	172437-03352	LABEL, CYLINDER	2	2	2					
27	2	172437-03361	LABEL, BATTERY	1	1	1					
28	2	172437-03372	LABEL, NEUTRAL	1	1	1					
29	2	172437-03381	LABEL, SWING AREA	1	1	1					
29-1	2	172A64-03380	LABEL, SWING AREA US	1	1	1					N
		(A=MEF108) (B=MEF108) (C=MEF108)									
30	2	172437-03391	LABEL, RADIATOR	1	1	1					
31	2	172437-03402	LABEL, ENGINE COVER	1	1	1					
32	2	172A36-03411	LABEL, ENGINE ROOM	2	2	2					
33	2	172437-03422	LABEL, MUFFLER	1	1	1					
34	2	172437-03432	LABEL, STEERING	1	1	1					
35	2	172437-03441	LABEL, ROPS	1	1	1					
36	2	172437-03451	LABEL, SEAT BELT	1	1	1					
37	2	172437-03461	LABEL, BOOM	2	2	2					
38	2	172437-03471	LABEL, LEVER LOCK	1	1	1					
39	2	172A23-03470	LABEL,MODEL VIO20	2	2	2					
40	2	172437-03501	LABEL, FUEL	1	1	1					
41	2	172437-03511	LABEL, HOOK	3	3	3					
42	2	172437-03601	LABEL, 2-WAY US	1	1	1					
43	2	172437-03610	LABEL	1	1	1					
44	2	172437-03620	LABEL	1	1	1					
45	2	172A64-03700	LABEL, START SWITCH	1	1	1					
46	2	172A23-03790	LABEL,REAR	1	1	1					
46-1	2	172A86-03820	LABEL, YANMAR 560 B	1	1	1					S

Remarks
(1)Rubber crawler specification.

Fig.3. LABEL(SAFETY)

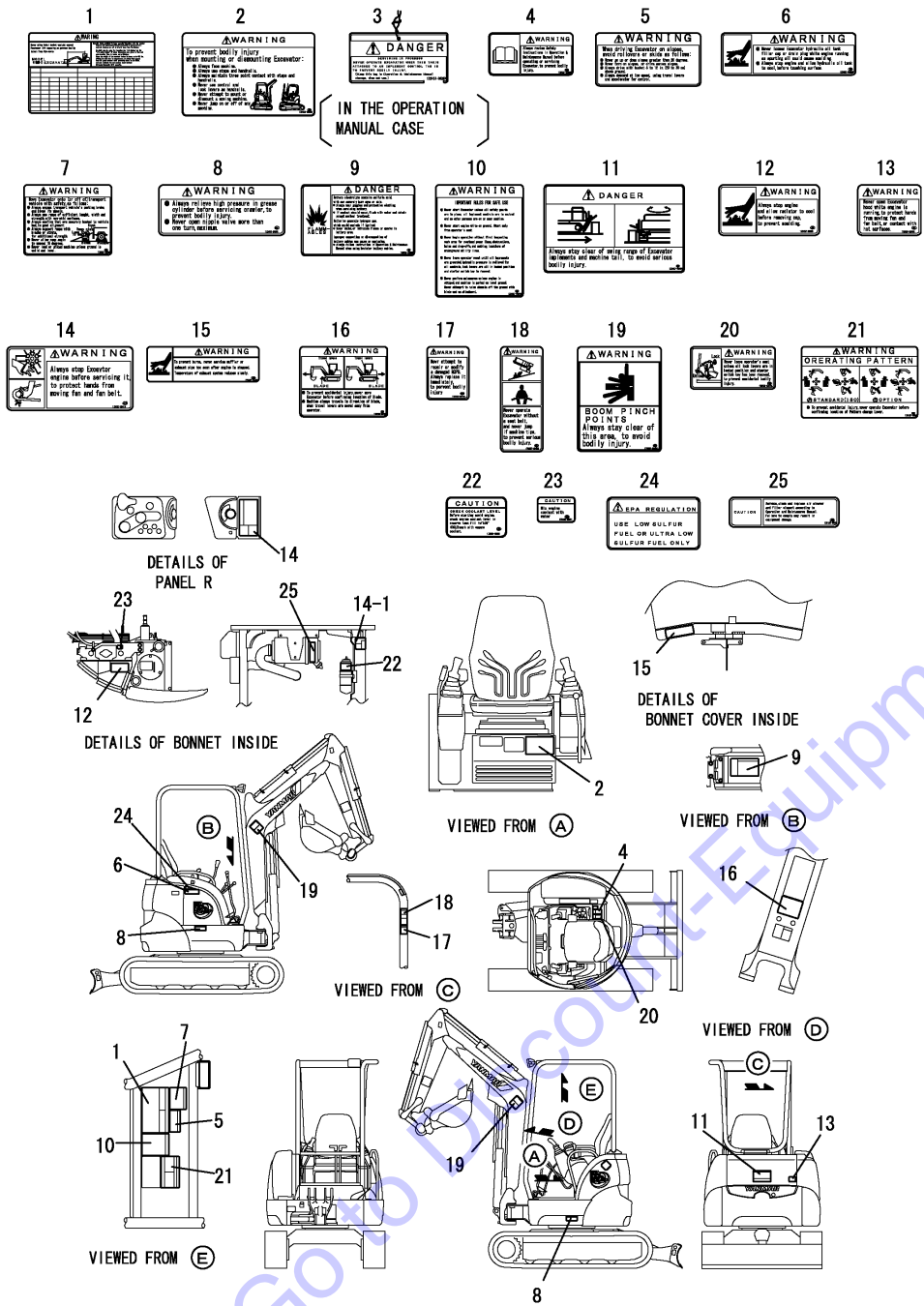


(A)=VIO20-3(US)
(B)=VIO20-3(AS)
(C)=VIO20-3(NZ)

(D)=
(E)=
(F)=

No.	Lev.	Parts No.	Description	Q'ty						I	R
				(A)	(B)	(C)	(D)	(E)	(F)		
1	1	172469-03131	LABEL, LIFT US	1							
1-1	1	172469-03132	LABEL, LIFT US	1							N
(A=M33952)											
2	1	172472-03140	LABEL,SUPPORT US	1	1	1					
2-1	1	172472-03141	LABEL, SUPPORT	1	1	1					N
(A=M#31399) (B=M#31399) (C=M#31399)											
3	1	172437-03250	TAG ASSY, CAUTION	1	1	1					
3-1	1	172437-03251	TAG ASSY, CAUTION	1	1	1					N
(A=M#32044) (B=M#32044) (C=M#32044)											
3-2	1	172437-03252	TAG ASSY, CAUTION	1	1	1					N
(A=M#32637) (B=M#32637) (C=M#32637)											
4	1	172437-03300	LABEL,MANUAL	1	1	1					
4-1	1	172437-03301	LABEL, MANUAL US	1	1	1					N
(A=M#31399) (B=M#31399) (C=M#31399)											
4-2	1	172437-03302	LABEL, MANUAL	1	1	1					N
(A=M#32637) (B=M#32637) (C=M#32637)											
5	1	172437-03310	LABEL,SLOPE	1	1	1					
5-1	1	172437-03311	LABEL, SLOPE US	1	1	1					N
(A=M#31399) (B=M#31399) (C=M#31399)											
5-2	1	172437-03312	LABEL, SLOPE	1	1	1					N
(A=M#32044) (B=M#32044) (C=M#32044)											
6	1	172437-03321	LABEL,HYD.OIL TANK	1	1	1					
6-1	1	172437-03322	LABEL, RESEVOIR	1	1	1					N
(A=M#31399) (B=M#31399) (C=M#31399)											
7	1	172437-03341	LABEL,TRANSPORT	1	1	1					
7-1	1	172437-03342	LABEL, TRANSPORT US	1	1	1					N
(A=M#31399) (B=M#31399) (C=M#31399)											
7-2	1	172437-03343	LABEL, TRANSPORT	1	1	1					N
(A=M#32637) (B=M#32637) (C=M#32637)											
8	1	172437-03351	LABEL,GREASE CYL.	2	2	2					
8-1	1	172437-03352	LABEL, CYLINDER	2	2	2					N
(A=M#31399) (B=M#31399) (C=M#31399)											
9	1	172437-03360	LABEL,BATTERY	1	1	1					
9-1	1	172437-03361	LABEL, BATTERY	1	1	1					N
(A=M#31399) (B=M#31399) (C=M#31399)											
10	1	172437-03371	LABEL	1	1	1					
10-1	1	172437-03372	LABEL, NEUTRAL	1	1	1					N
(A=M#31399) (B=M#31399) (C=M#31399)											
11	1	172437-03380	LABEL,SWING AREA	1	1	1					
11-1	1	172437-03381	LABEL, SWING AREA	1	1	1					N
(A=M#31399) (B=M#31399) (C=M#31399)											
12	1	172437-03390	LABEL,RADIATOR	1	1	1					
12-1	1	172437-03391	LABEL, RADIATOR	1	1	1					N
(A=M#31399) (B=M#31399) (C=M#31399)											
13	1	172437-03401	LABEL (ENG COVER US	1	1	1					
13-1	1	172437-03402	LABEL, ENGINE COVER	1	1	1					N
(A=M#31399) (B=M#31399) (C=M#31399)											
14	1	172437-03411	LABEL (ENG ROOM US	1	1	1					
14-1	1	172A36-03411	LABEL, ENGINE ROOM	2	2	2					N
(A=M#30501) (B=M#30501) (C=M#30501)											
15	1	172437-03421	LABEL,MUFFLER	1	1	1					

Fig.3. LABEL(SAFETY)



(A)=VIO20-3(US)
 (B)=VIO20-3(AS)
 (C)=VIO20-3(NZ)

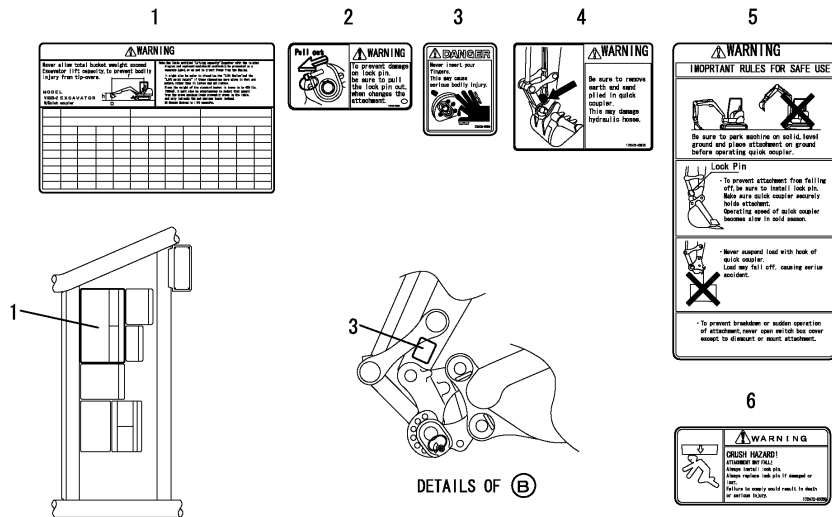
(D)=
 (E)=
 (F)=

No.	Lev.	Parts No.	Description	Q'ty						I	R
				(A)	(B)	(C)	(D)	(E)	(F)		
15-1	1	172437-03422	LABEL, MUFFLER (A=M/#31399) (B=M/#31399) (C=M/#31399)	1	1	1					N
16	1	172437-03431	LABEL, STEERING	1	1	1					
16-1	1	172437-03432	LABEL, STEERING (A=M/#31399) (B=M/#31399) (C=M/#31399)	1	1	1					N
17	1	172437-03440	LABEL, ROPS	1	1	1					
17-1	1	172437-03441	LABEL, ROPS (A=M/#31399) (B=M/#31399) (C=M/#31399)	1	1	1					N
18	1	172437-03450	LABEL, SEAT BELT	1	1	1					
18-1	1	172437-03451	LABEL, SEAT BELT (A=M/#31399) (B=M/#31399) (C=M/#31399)	1	1	1					N
19	1	172437-03460	LABEL, BOOM	2	2	2					
19-1	1	172437-03461	LABEL, BOOM (A=M/#31399) (B=M/#31399) (C=M/#31399)	2	2	2					N
20	1	172437-03470	LABEL, LEVER LOCK	1	1	1					
20-1	1	172437-03471	LABEL, LEVER LOCK (A=M/#31399) (B=M/#31399) (C=M/#31399)	1	1	1					N
21	1	172437-03600	LABEL	1	1	1					
21-1	1	172437-03601	LABEL, 2-WAY US (A=M/#31399) (B=M/#31399) (C=M/#31399)	1	1	1					N
22	1	172A38-03201	LABEL, SUB TANK	1	1	1					
23	1	172A38-03211	LABEL, ANTI-FREEZING	1	1	1					
24	1	114110-07760	LABEL, FUEL CAUTION (A=M35238) (B=M35238) (C=M35238)	1	1	1					W
24-1	1	114110-07761	LABEL, FUEL OIL CAUT (A=M45043) (B=M45043) (C=M45043)	1	1	1					N
25	1	172125-03951	LABEL, AIR CLEANER	1	1	1					

Fig.4. LABEL(SAFETY)(QUICK COUPLER)(Y SPEC.)

(A)=VIO20-3(US)
 (B)=VIO20-3(AS)
 (C)=VIO20-3(NZ)

(D)=
 (E)=
 (F)=



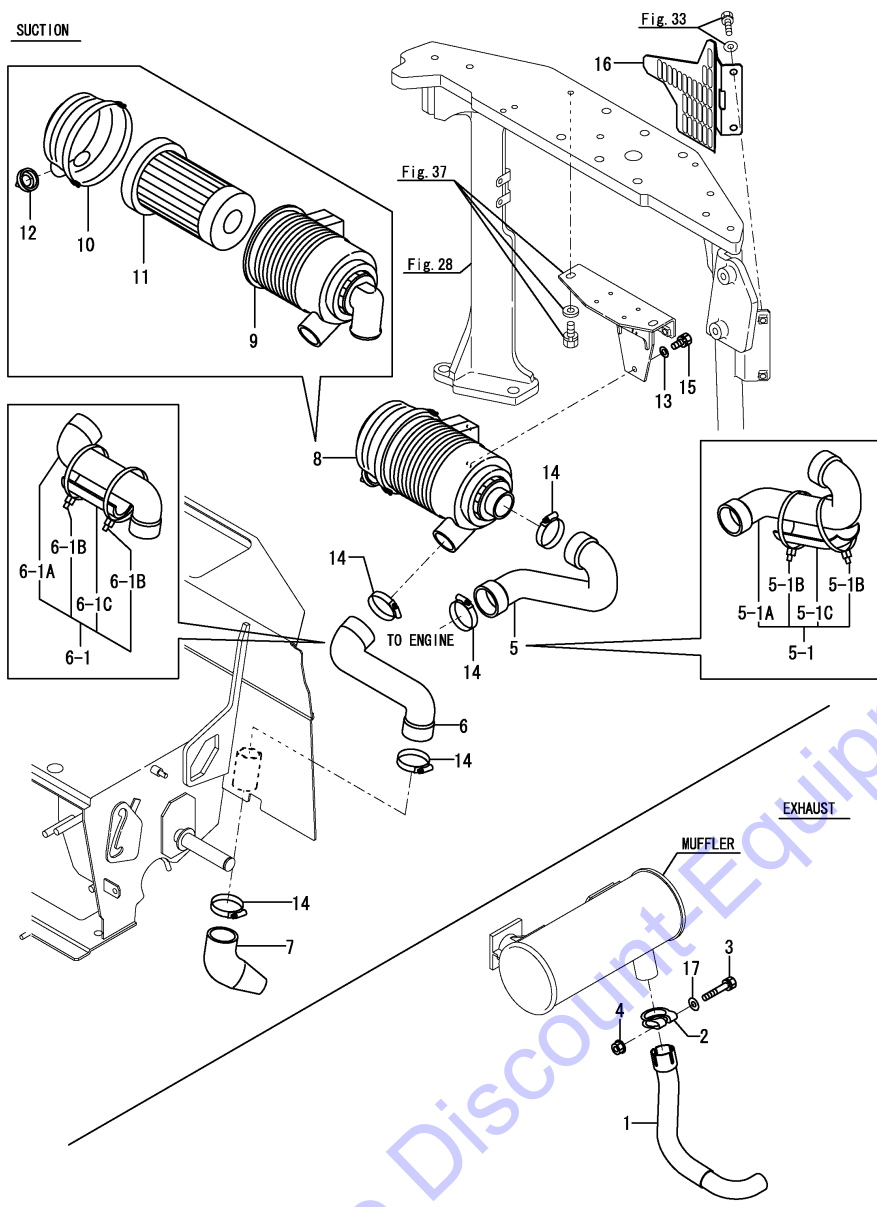
No.	Lev.	Parts No.	Description	Q'ty						I	R
				(A)	(B)	(C)	(D)	(E)	(F)		
1	1	172469-03152	LABEL, LIFT Q US	1	1	1					
1-1	1	172469-03153	LABEL, LIFT Q US	1	1	1					N
		(A=M/#31399) (B=M/#31399) (C=M/#31399)									
1-2	1	172469-03154	LABEL, LIFT Q US	1	1	1					N
		(A=M33952) (B=M33952) (C=M33952)									
2	1	172472-03240	LABEL, PIN US	1	1	1					
2-1	1	172472-03241	LABEL, PIN US	1	1	1					N
		(A=M/#31399) (B=M/#31399) (C=M/#31399)									
3	1	172472-03260	LABEL, FINGER	1	1	1					
3-1	1	172472-03261	LABEL, FINGER	1	1	1					N
		(A=M/#31399) (B=M/#31399) (C=M/#31399)									
4	1	172472-03270	LABEL, SAND US	1	1	1					
4-1	1	172472-03271	LABEL, SANDUS	1	1	1					N
		(A=M/#31399) (B=M/#31399) (C=M/#31399)									
5	1	172472-03280	LABEL	1	1	1					
5-1	1	172472-03281	LABEL, WARNING HITCH	1	1	1					N
		(A=M/#31399) (B=M/#31399) (C=M/#31399)									
6	1	172472-03330	LABEL, LOCK PIN	1	1	1					W
		(A=M/#31474) (B=M/#31474) (C=M/#31474)									

Remarks
 * This figure is applied quick coupler specification made by YANMAR.

Fig.5. MUFFLER & AIR CLEANER

(A)=VIO20-3(US)
 (B)=VIO20-3(AS)
 (C)=VIO20-3(NZ)

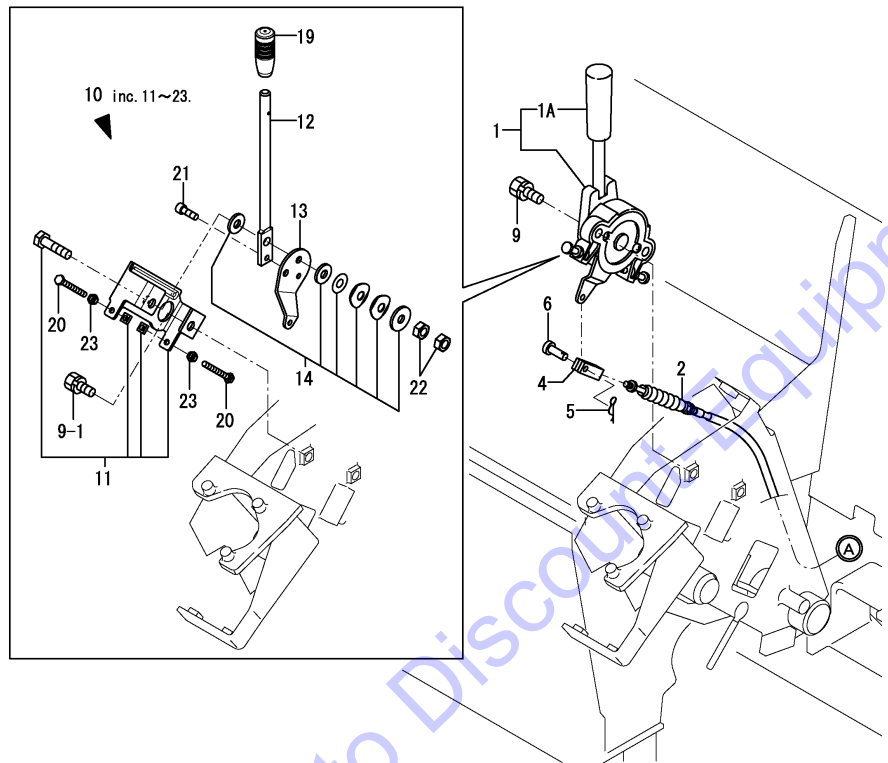
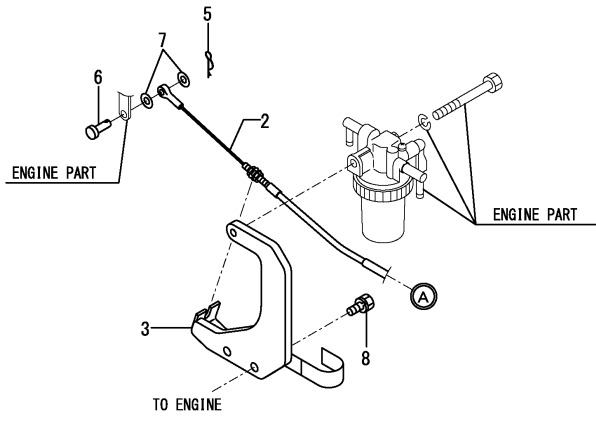
(D)=
 (E)=
 (F)=



No.	Lev.	Parts No.	Description	Q'ty						I	R
				(A)	(B)	(C)	(D)	(E)	(F)		
1	1	172487-11350	PIPE ASSY, EXHAUST	1	1	1					
2	1	172487-11400	CLAMP	1	1	1					
3	1	26013-100552	BOLT, M10X 55	1	1	1					
3-1	1	26013-100602	BOLT, M10X 60	1	1	1					N
		(A=*2016.12.) (B=*2016.12.) (C=*2016.12.)									
4	1	26366-100002	NUT, M10	1	1	1					
5	1	172A23-11490	HOSE A, AIR CLEANER	1	1	1					
5-1	1	172A23-11470	HOSE A ASSY,AIRCLEAN	1	1	1					N
		(A=M33952) (B=M33952) (C=M33952)									
5-1A	2	172A23-11490	HOSE A, AIR CLEANER	1	1	1					
5-1B	2	172126-11510	BAND	2	2	2					
5-1C	2	172A23-11600	INSULATOR	1	1	1					
6	1	172A23-11500	HOSE B, AIR CLEANER	1	1	1					
6-1	1	172A23-11480	HOSE B ASSY,AIRCLEAN	1	1	1					N
		(A=M33952) (B=M33952) (C=M33952)									
6-1A	2	172A23-11500	HOSE B, AIR CLEANER	1	1	1					
6-1B	2	172126-11510	BAND	2	2	2					
6-1C	2	172A23-11600	INSULATOR	1	1	1					
7	1	172456-11500	HOSE C,AIR CLEANER	1	1	1					
8	1	172456-11510	CLEANER ASSY, AIR	1	1	1					1
9	2	172456-11590	BODY	1	1	1					
10	2	172456-11600	COVER ASSY	1	1	1					1
11	2	129619-12520	ELEMENT, OUTER	1	1	1					
12	2	119808-12540	VALVE, UNLOAD	1	1	1					
12A	1	172125-03950	LABEL, AIR CLEANER	1	1	1					2
12A-1	1	172125-03951	LABEL, AIR CLEANER	1	1	1					N 2
		(A=M/#31399) (B=M/#31399) (C=M/#31399)									
13	1	22137-080000	WASHER, 8	2	2	2					
14	1	23000-060000	CLAMP, 60	5	5	5					
15	1	26013-080202	BOLT, M8X 20	2	2	2					
16	1	172487-65160	GUARD, MUFFLER	1	1	1					W
		(A=M33952) (B=M33952) (C=M33952)									
17	1	22137-100000	WASHER, 10	1	1	1					W
		(A=*2014.04) (B=*2014.04) (C=*2014.04)									

Remarks
 (1) Attach the No.12A label to this part.
 (2) Label is not illustrated.

Fig.6. ACCELERATOR LEVER



(A)=VIO20-3(US)
(B)=VIO20-3(AS)
(C)=VIO20-3(NZ)

(D)=
(E)=
(F)=

No.	Lev.	Parts No.	Description	Q'ty						I	R	
				(A)	(B)	(C)	(D)	(E)	(F)			
1	1	172458-12100 (A=M3F055) (B=M3F055) (C=M3F055)	LEVER, ACCELERATOR	1	1	1					Z	1
1A	2	172165-12140	GRIP	1	1	1						W
1A-1	2	172A79-12150 (A=M#32289) (B=M#32289) (C=M#32289) (A=MXXXXX) (B=MXXXXX)	GRIP	1	1							N
2	1	172469-12110	CABLE, ACCELERATOR	1	1	1						
2-1	1	172469-12111 (A=M#32151) (B=M#32151) (C=M#32151)	CABLE, ACCELERATOR	1	1	1						N
3	1	172487-12220	BRACKET	1	1	1						
4	1	172137-12270	JOINT, CABLE	1	1	1						
5	1	1C6281-52310	PIN, SNAP 6	2	2	2						
6	1	1A1040-56900	PIN, FLAT HEAD 6X17	2	2	2						
7	1	22137-060000	WASHER, 6	2	2	2						
8	1	26013-080162	BOLT, M8X 16	2	2	2						
9	1	26013-100252	BOLT, M10X 25	2	2	2						
9-1	1	26013-100202 (A=M3F055) (B=M3F055) (C=M3F055)	BOLT, M10X 20	2	2	2						S
10	1	172458-12101 (A=M3F055) (B=M3F055) (C=M3F055)	LEVER ASSY, ACCEL.	1	1	1						W
11	2	172458-12150	BRACKET ASSY, ACCEL.	1	1	1						
12	2	172458-12170	LEVER, ACCEL	1	1	1						
13	2	172458-12180	PLATE	1	1	1						
14	2	172458-12200	SPRING SET	1	1	1						
19	2	172498-12250	GRIP, ACCELERATOR	1	1	1						
20	2	26117-060554	BOLT M 6X 55	2	2	2						
21	2	26450-060102	BOLT, M6X 10	1	1	1						
22	2	26757-100002	NUT, LOCK M10	2	2	2						
23	2	26857-060002	NUT, M6	2	2	2						

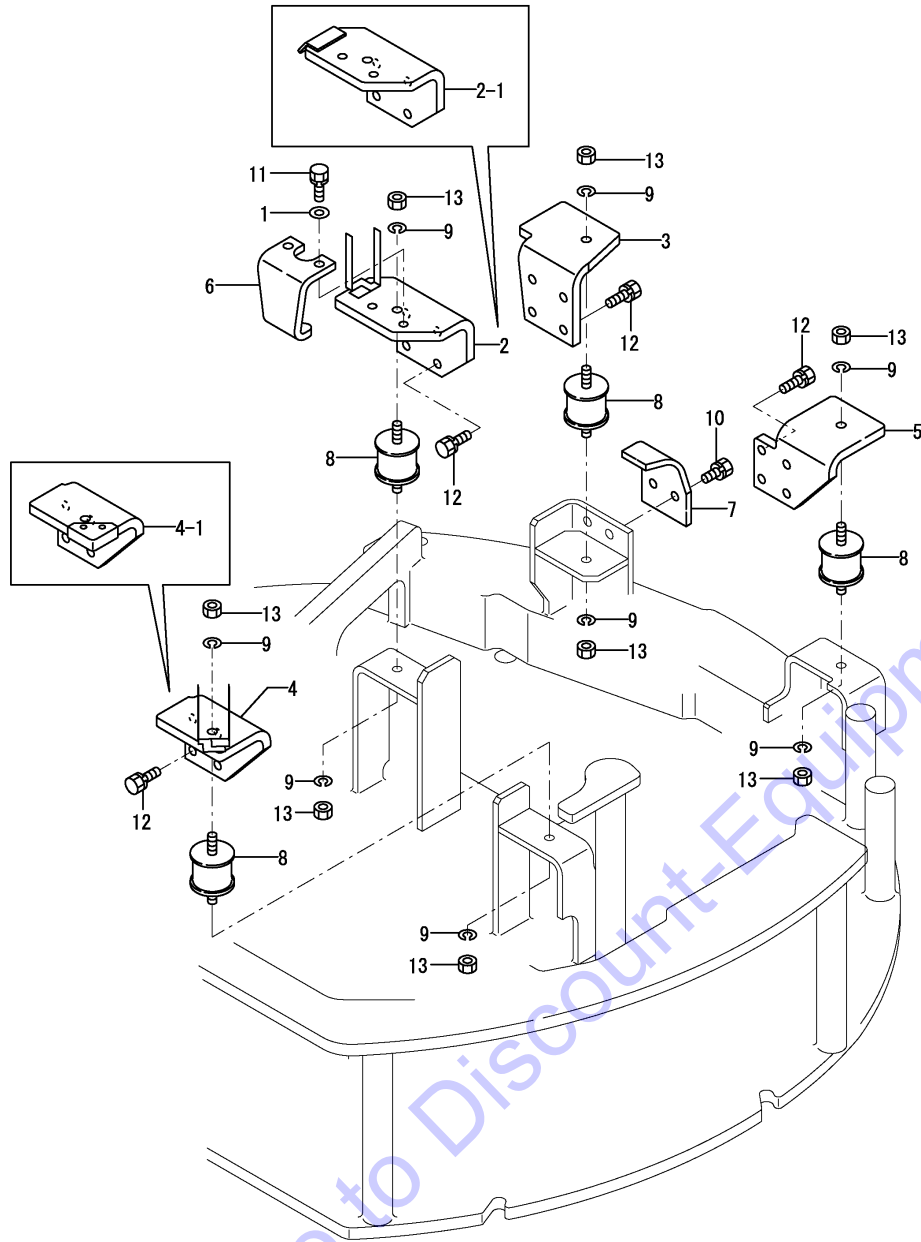
Remarks

(1) Interchangeable by simultaneous replacement with No.9-1 & 10.

Fig.7. ENGINE MOUNT

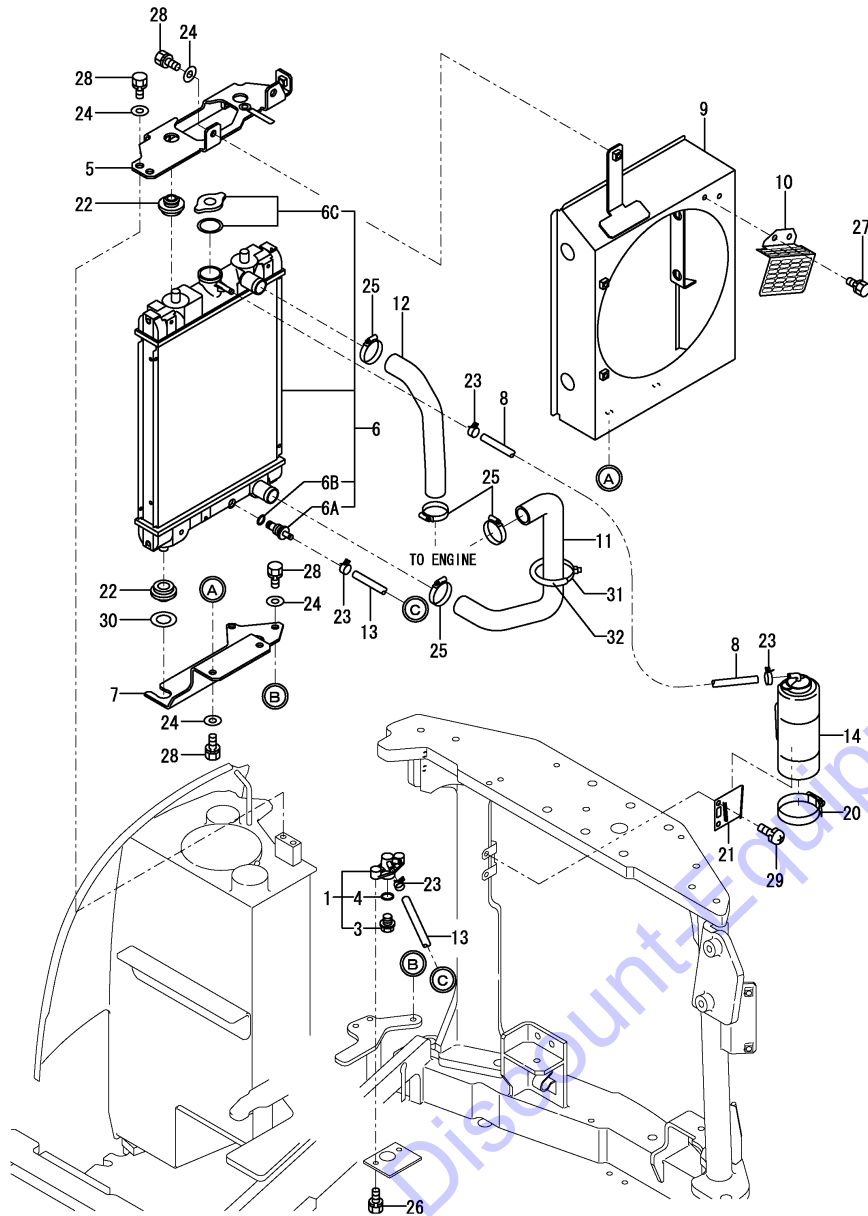
(A)=VIO20-3(US)
 (B)=VIO20-3(AS)
 (C)=VIO20-3(NZ)

(D)=
 (E)=
 (F)=



No.	Lev.	Parts No.	Description	Q'ty						I	R
				(A)	(B)	(C)	(D)	(E)	(F)		
1	1	194145-04810	WASHER, 10	2	2	2					
2	1	172487-13090	MOUNT LF ASSY (ENG	1	1	1					
2-1	1	172487-13091	MOUNT ASSY,ENG LF	1	1	1					S
(A=MZZZZZ) (B=MZZZZZ) (C=MZZZZZ)											
3	1	172487-13100	MOUNT RE,ENG	1	1	1					
3-1	1	172487-13101	MOUNT RF, ENG	1	1	1					N
(A=M35842) (B=M35842) (C=M35842)											
4	1	172A23-13120	MOUNT LR ASSY	1	1	1					
4-1	1	172A23-13121	MOUNT ASSY,ENG LR	1	1	1					S
(A=MZZZZZ) (B=MZZZZZ) (C=MZZZZZ)											
5	1	172456-13120	MOUNT RR,ENG	1	1	1					
6	1	172456-13140	STOPPER	1	1	1					
7	1	172456-13150	STOPPER	1	1	1					
8	1	172179-13211	RUBBER, ANTI VIBRAT.	4	4	4					
9	1	22217-100000	WASHER, SPRING 10	8	8	8					
10	1	26013-100202	BOLT, M10X 20	2	2	2					
11	1	26013-100252	BOLT, M10X 25	2	2	2					
12	1	26013-100252	BOLT, M10X 25	16	16	16					
13	1	26716-100002	NUT, M10	8	8	8					

Fig.8. RADIATOR & MOUNT



(A)=VIO20-3(US)
(B)=VIO20-3(AS)
(C)=VIO20-3(NZ)

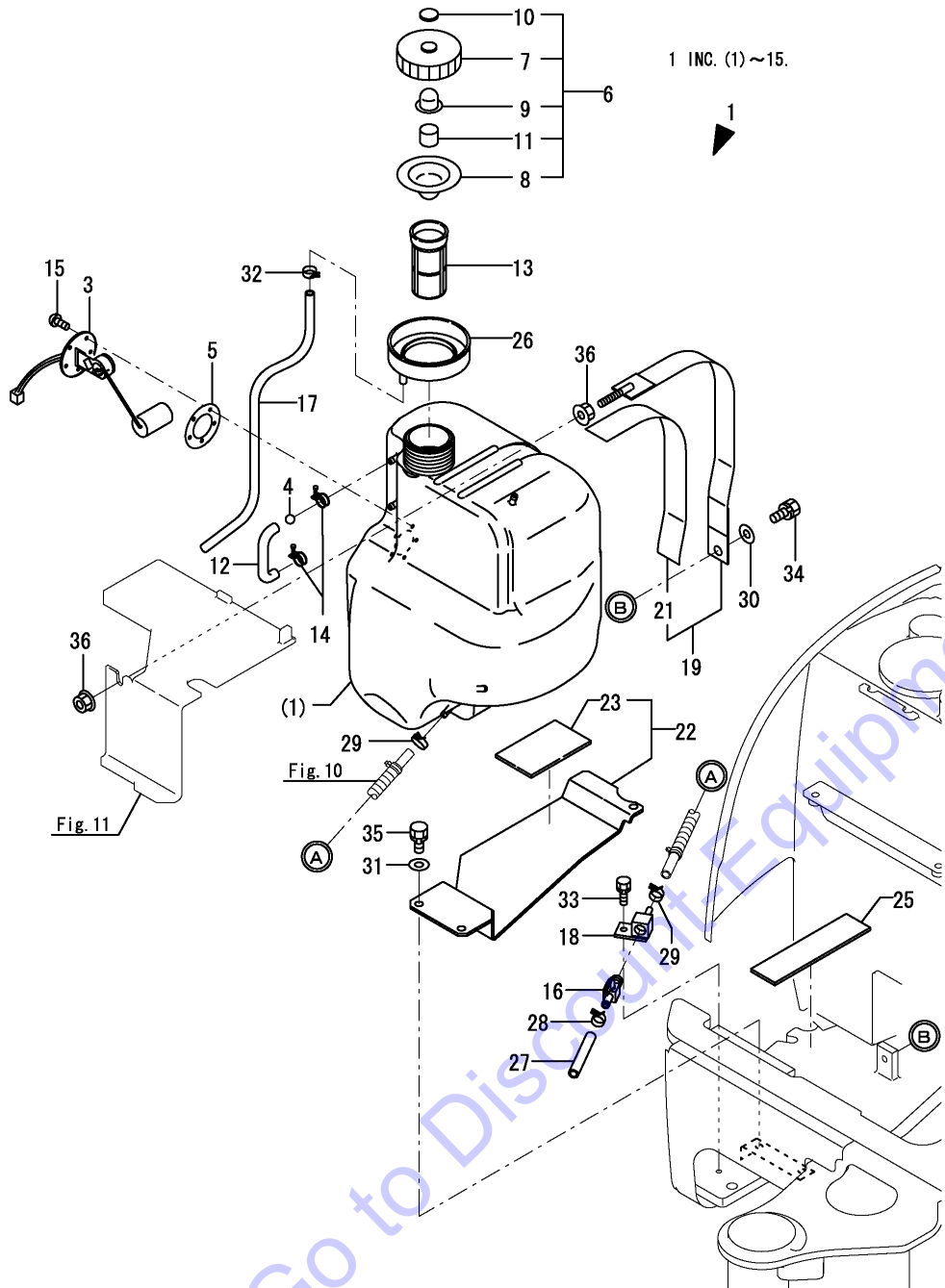
(D)=
(E)=
(F)=

No.	Lev.	Parts No.	Description	Qty						I	R
				(A)	(B)	(C)	(D)	(E)	(F)		
1	1	172444-13210	COCK ASSY, 2-WAY	1	1	1					
3	2	121250-49121	PLUG, DRAIN M16	1	1	1					
4	2	24311-000160	O-RING, 1AP16.0	1	1	1					
5	1	172A23-13320	BRACKET ASSY,RADIATO	1	1	1					2
5A	1	124764-44920	LABEL, ANTI-FREEZING	1	1	1					3
5A-1	1	172A38-03210	LABEL,ANTI-FREEZING	1	1	1					N 3
5A-2	1	(A=M/#31399) (B=M/#31399) (C=M/#31399) 172A38-03211 LABEL, ANTI-FREEZING		1	1	1					N 3
		(A=M/#32637) (B=M/#32637) (C=M/#32637)									
6	1	172482-13300	RADIATOR ASSY	1	1	1					
6A	2	172460-13230	PLUG, DRAIN COCK	1	1	1					
6B	2	172460-13240	O-RING	1	1	1					
6C	2	172456-13310	CAP ASSY	1	1	1					
7	1	172A23-13310	BRACKET,RADIATOR	1	1	1					
8	1	172157-13381	HOSE	1	1	1					
9	1	172A23-13411	SHROUD ASSY	1	1	1					
10	1	172A23-13460	GUARD, FAN	1	1	1					
11	1	172A23-13510	PIPE, WATER	1	1	1					
12	1	172A23-13520	PIPE, WATER	1	1	1					
13	1	172734-14620	HOSE, FUEL	1	1	1					
14	1	119813-44510	TANK ASSY, SUB	1	1	1					1
19A	1	124764-44810	LABEL, SUB TANK	1	1	1					3
19A-1	1	172A38-03200	LABEL, SUB-TANK US	1	1	1					N 3
		(A=M/#31399) (B=M/#31399) (C=M/#31399)									
19A-2	1	172A38-03201	LABEL, SUB TANK	1	1	1					N 3
		(A=M/#32637) (B=M/#32637) (C=M/#32637)									
20	1	124450-44550	BAND, SUB-TANK	1	1	1					
21	1	121256-44600	BRACKET, SUB TANK	1	1	1					
22	1	119255-44660	ABSORBER	4	4	4					
23	1	124766-59050	CLAMP, HOSE 11.5	4	4	4					
24	1	22137-100000	WASHER, 10	8	8	8					
25	1	23001-041000	CLAMP, HOSE 41	4	4	4					
26	1	26013-080162	BOLT, M8X 16	2	2	2					
27	1	26013-080162	BOLT, M8X 16	2	2	2					
28	1	26013-100202	BOLT, M10X 20	8	8	8					
29	1	26022-080162	SCREW, M8X16	2	2	2					
30	1	172156-81430	SHIM	1	1	1					
31	1	172126-11510	BAND	1							W
		(A=M/#30501)									
31-1	1	172126-11510	BAND	2	2	2					K
		(A=MXXXXX) (B=MXXXXX) (C=MXXXXX)									
32	1	172A23-13530	HOSE	1	1	1					W
		(A=M/#30501) (B=M/#30501) (C=M/#30501)									

Remarks

- (1) Attach the No.19A label to this part.
- (2) Attach the No.5A label to this part.
- (3) Label is not illustrated.

Fig.9. FUEL TANK

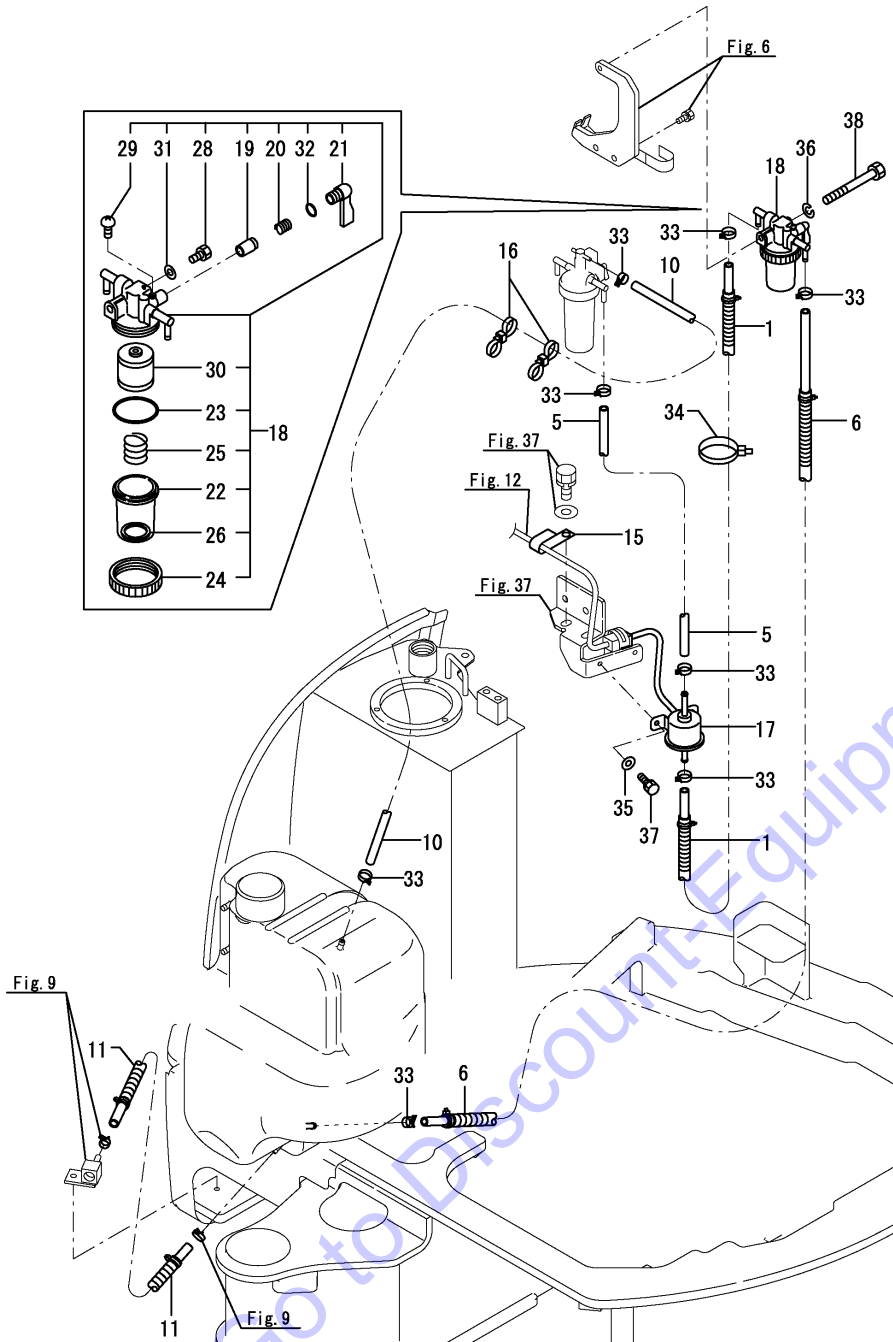


(A)=VIO20-3(US)
 (B)=VIO20-3(AS)
 (C)=VIO20-3(NZ)

(D)=
 (E)=
 (F)=

No.	Lev.	Parts No.	Description	Q'ty						I	R
				(A)	(B)	(C)	(D)	(E)	(F)		
1	1	772456-14111	TANK ASSY, FUEL	1	1	1					
1-1	1	772456-14112	TANK ASSY, FUEL	1	1	1					N
		(A=M36153) (B=M36153) (C=M36153)									
3	2	172456-14151	GAUGE, FUEL	1	1	1					
3-1	2	172456-14152	GAUGE, FUEL	1	1	1					R
		(A=M35336) (B=M35336) (C=M35336)									
4	2	172447-14160	FLOAT	1	1	1					
5	2	172162-14200	GASKET	1	1	1					
6	2	172444-14200	CAP, FUEL	1	1	1					
7	3	172444-14450	CAP	1	1	1					
8	3	172444-14460	PACKING, RUBBER	1	1	1					
9	3	172444-14470	PACKING, RUBBER	1	1	1					
10	3	172444-14480	WASHER	1	1	1					
11	3	172444-14490	SPONGE	1	1	1					
12	2	172458-14202	HOSE, FUEL GAUGE	1	1	1					
12-1	1	172458-14203	HOSE, FUEL GAUGE	1	1	1					N
		(A=M33499) (B=M33499) (C=M33499)									
13	2	172183-14250	FILTER, FUEL	1	1	1					
14	2	23000-013000	CLAMP, 13	2	2	2					
15	2	26022-050122	SCREW, M5X12	5	5	5					
16	1	104200-11920	COCK, WATER	1	1	1					
16-1	1	172A69-14230	VALVE, FUEL DRAIN	1	1	1					N
		(A=M35842) (B=M35842) (C=M35842)									
17	1	172444-14260	HOSE, FUEL	1	1	1					
18	1	172444-14270	JOINT, DRAIN	1	1	1					
19	1	172456-14300	CLAMP ASSY, FUEL	1	1	1					
21	2	172456-14330	RUBBER, CLAMP	1	1	1					
22	1	172456-14340-1	PLATE ASSY	1	1	1					
22-1	1	172456-14340-2	PLATE ASSY	1	1	1					S
		(A=M/#32643) (B=M/#32643) (C=M/#32643)									
22-2	1	172456-14341-1	PLATE ASSY (GRAY:49)	1	1	1					N
		(A=M45001) (B=M45001) (C=M45001)									
23	2	172444-14130	PLATE, RUBBER	1	1	1					
25	1	172458-14340	PLATE, RUBBER	1	1	1					
26	1	172458-14370	SUMP, FUEL	1	1	1					
27	1	172444-14410	HOSE, DRAIN	1	1	1					
28	1	106990-44660	CLAMP, HOSE 12.5	1	1	1					
29	1	124766-59050	CLAMP, HOSE 11.5	2	2	2					
30	1	22137-100000	WASHER, 10	1	1	1					
31	1	22137-100000	WASHER, 10	3	3	3					
32	1	23080-013000	CLAMP, 13	1	1	1					
33	1	26013-080202	BOLT, M8X 20	1	1	1					
34	1	26013-100202	BOLT, M10X 20	1	1	1					
35	1	26013-100202	BOLT, M10X 20	3	3	3					
36	1	26367-100002	NUT, M10	2	2	2					

Fig.10. FUEL PIPING



(A)=VIO20-3(US)
 (B)=VIO20-3(AS)
 (C)=VIO20-3(NZ)

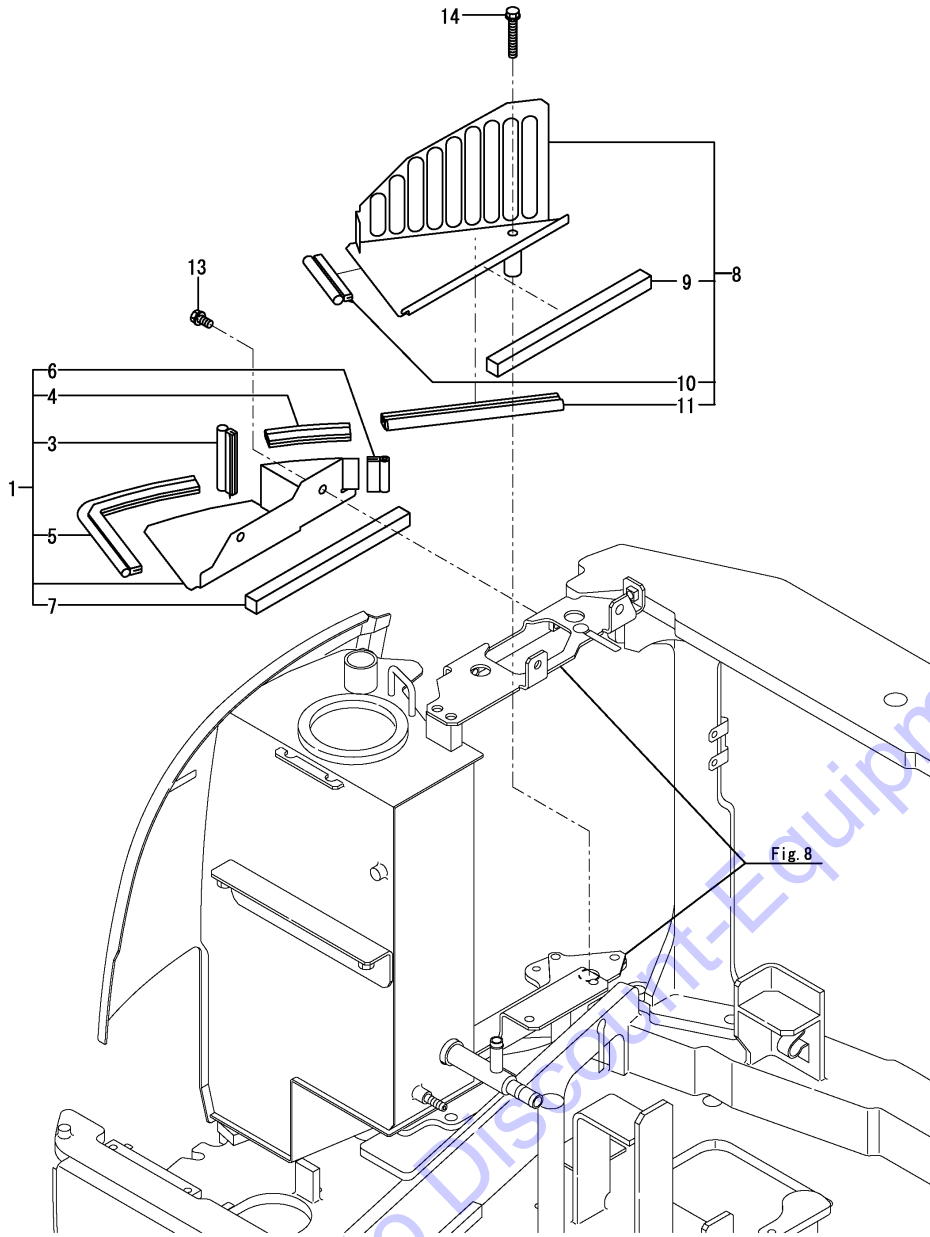
(D)=
 (E)=
 (F)=

No.	Lev.	Parts No.	Description	Q'ty						I	R
				(A)	(B)	(C)	(D)	(E)	(F)		
1	1	172186-13810	HOSE ASSY	1	1	1					
5	1	172171-14610	HOSE, FUEL	1	1	1					
6	1	172456-14610	HOSE,FO1470 ASSY	1	1	1					
10	1	172122-14620	PIPE, FUEL	1	1	1					
10-1	1	172A23-14100	PIPE (C), FUEL	1	1	1					N
		(A=M32861) (B=M32861) (C=M32861)									
10-2	1	172487-14520	HOSE	1	1	1					N
		(A=MZZZZZ)									
11	1	172456-14630	HOSE,FO 150 ASSY	1	1	1					
15	1	172126-16540	CLAMP	1							Z
		(A=M/#31474)									
16	1	172137-16560	BAND	2	2	2					
16-1	1	172126-11510	BAND	5	5	5					N
		(A=MZZZZZ) (B=MZZZZZ) (C=MZZZZZ)									
17	1	129612-52100	PUMP, FUEL FEED	1	1	1					
18	1	129335-55700	SEPARATOR ASSY,WATER	1	1	1					
19	2	104200-55321	VALVE, TAPER	1	1	1					
20	2	104200-55330	SPRING, FUEL VALVE	1	1	1					
21	2	104200-55341	HANDLE, COCK	1	1	1					
22	2	124064-55510	CUP, FUEL STARINER	1	1	1					
23	2	102103-55520	O-RING	1	1	1					
24	2	110250-55610	RING, CUP RETAINING	1	1	1					
25	2	121257-55720	SPRING, FILTER	1	1	1					
26	2	121257-55731	FLOAT	1	1	1					
28	2	101720-55750	PLUG, HEXAGON M6	2	2	2					
29	2	104200-55750	SCREW, PAN M4	1	1	1					
30	2	171081-55910	FILTER, FUEL	1	1	1					
31	2	23418-060000	GASKET, 6X1.0	2	2	2					
32	2	24311-240100	O-RING, 1AP10A	1	1	1					
33	1	124766-59050	CLAMP, HOSE 11.5	8	8	8					
34	1	172122-79930	CLAMP, HOSE	1	1	1					
35	1	22137-060000	WASHER, 6	2	2	2					
36	1	22217-080000	WASHER, SPRING 8	1	1	1					
37	1	26013-060202	BOLT, M6X 20	2	2	2					
37-1	1	26013-060162	BOLT, M6X 16	2	2	2					N
		(A=M/#31474) (B=M/#31474) (C=M/#31474)									
38	1	26116-080702	BOLT, M8X 70 PLATED	1	1	1					

Fig.39. DUCT

(A)=VIO20-3(US)
 (B)=VIO20-3(AS)
 (C)=VIO20-3(NZ)

(D)=
 (E)=
 (F)=



No.	Lev.	Parts No.	Description	Q'ty						I	R
				(A)	(B)	(C)	(D)	(E)	(F)		
1	1	172A23-65700	DUCT ASSY	1	1	1					1
1-1	1	172A23-65700-1	DUCT ASSY	1	1	1					S 1
		(A=M/#32643) (B=M/#32643) (C=M/#32643)									
3	2	172456-65790	RUBBER, SEAL	1	1	1					
4	2	172456-65860	RUBBER, SEAL	1	1	1					
4-1	2	172455-63660	SEAL, RUBBER	1	1	1					N
		(A=MXXXXX) (B=MXXXXX) (C=MXXXXX)									
5	2	172164-66480	RUBBER 340, SEAL	1	1	1					
6	2	172164-66800	RUBBER, SEAL 60	1	1	1					
7	2	172480-75260	SEAL, RESERVER	1	1	1					
7A	1	172437-03390	LABEL,RADIATOR	1	1	1					2
7A-1	1	172437-03391	LABEL, RADIATOR	1	1	1					N 2
		(A=M/#31399) (B=M/#31399) (C=M/#31399)									
8	1	172A23-65750-2	DUCT ASSY	1	1	1					
8-1	1	172A23-65750-3	DUCT ASSY	1	1	1					S
		(A=M/#32643) (B=M/#32643) (C=M/#32643)									
9	2	172480-13520	SEAL	1	1	1					
10	2	172164-61250	RUBBER, SEAL	1	1	1					
11	2	172175-64810	SEAL	1	1	1					
11-1	2	172444-54910	SEAL, WEIGHT	1	1	1					N
		(A=MXXXXX) (B=MXXXXX) (C=MXXXXX)									
13	1	26013-100202	BOLT, M10X 20	2	2	2					
14	1	26013-100752	BOLT, M10X 75	1	1	1					

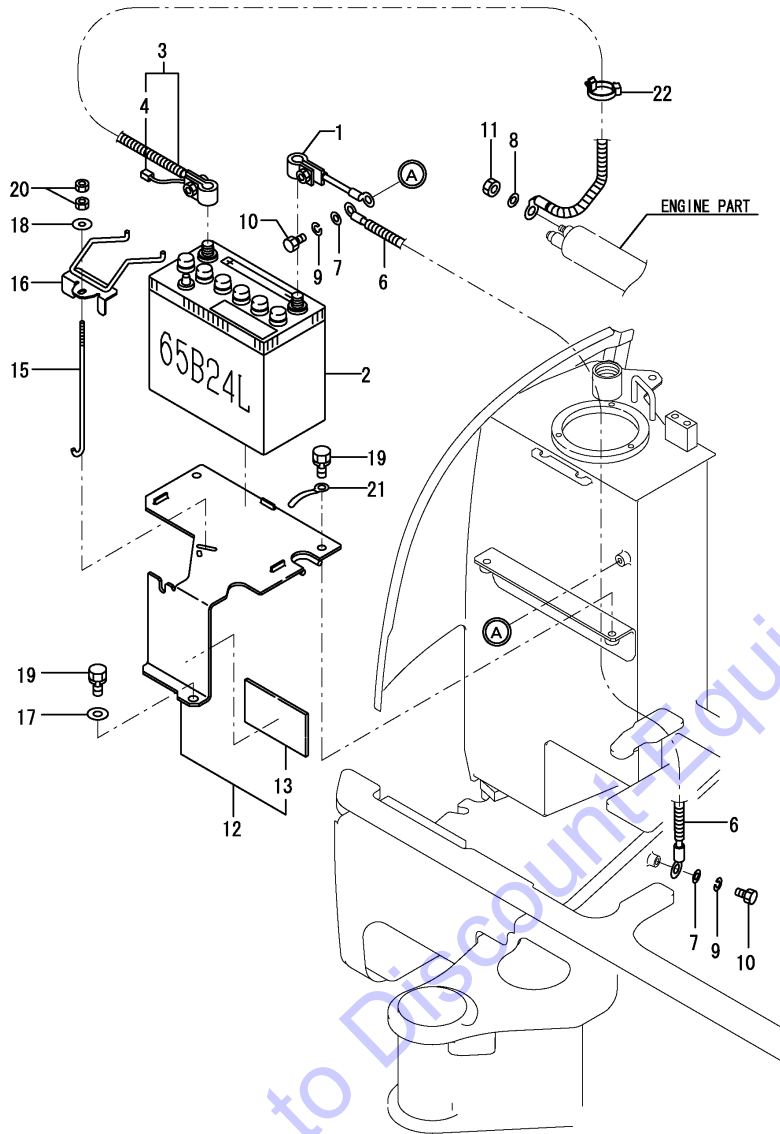
Remarks

- (1)Attach the No.7A label to this part.
- (2)Label is not illustrated.

Fig.11. BATTERY

(A)=VIO20-3(US)
 (B)=VIO20-3(AS)
 (C)=VIO20-3(NZ)

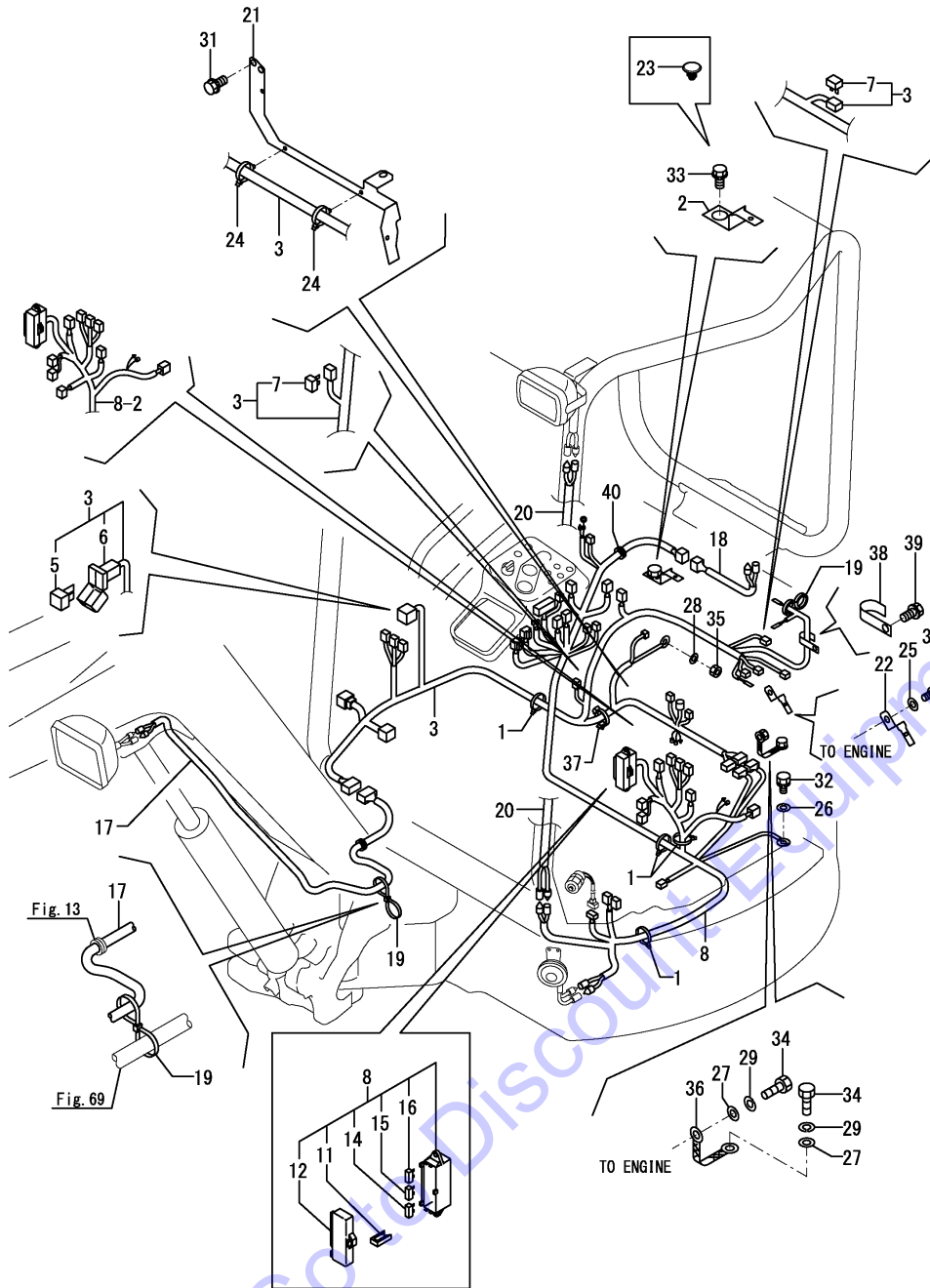
(D)=
 (E)=
 (F)=



No.	Lev.	Parts No.	Description	Q'ty						I	R
				(A)	(B)	(C)	(D)	(E)	(F)		
1	1	172444-16110	HARNES, BATTERY(-)	1	1	1					
2	1	172458-16110	BATTERY	1	1	1					
3	1	172456-16200	CORD, BATTERY	1	1	1					
4	2	172458-16140	HARNES, WIRE	1	1	1					
6	1	172456-16210	CORD, BATTERY	1	1	1					
7	1	22137-080000	WASHER, 8	2	2	2					
8	1	22217-080000	WASHER, SPRING 8	1	1	1					
9	1	22217-080000	WASHER, SPRING 8	2	2	2					
10	1	26116-080162	BOLT, M8X 16 PLATED	2	2	2					
11	1	26716-080002	NUT, M8	1	1	1					
12	1	172456-16100	BRACKT, BATTERY	1	1	1					
12-1	1	172456-16101	BRACKT, BATTERY	1	1	1					N
(A=M45001) (B=M45001) (C=M45001)											
13	2	172444-14130	PLATE, RUBBER	1	1	1					
15	1	172725-16160	ROD, BATTERY CLAMP	1	1	1					
16	1	172458-16300	CLAMP ASSY, BATTERY	1	1	1					
17	1	22137-100000	WASHER, 10	1	1	1					
18	1	22157-060000	WASHER, 6	1	1	1					
19	1	26013-100202	BOLT, M10X 20	3	3	3					
20	1	26716-060002	NUT, M6	2	2	2					
21	1	172126-16540	CLAMP	1	1	1					W
(A=MZZZZZ) (B=MZZZZZ) (C=MZZZZZ)											
22	1	194680-51670	BAND, CLIP	1	1	1					W
(A=MZZZZZ) (B=MZZZZZ) (C=MZZZZZ)											

Go to Discount Equipment.com for parts

Fig.12. WIRING



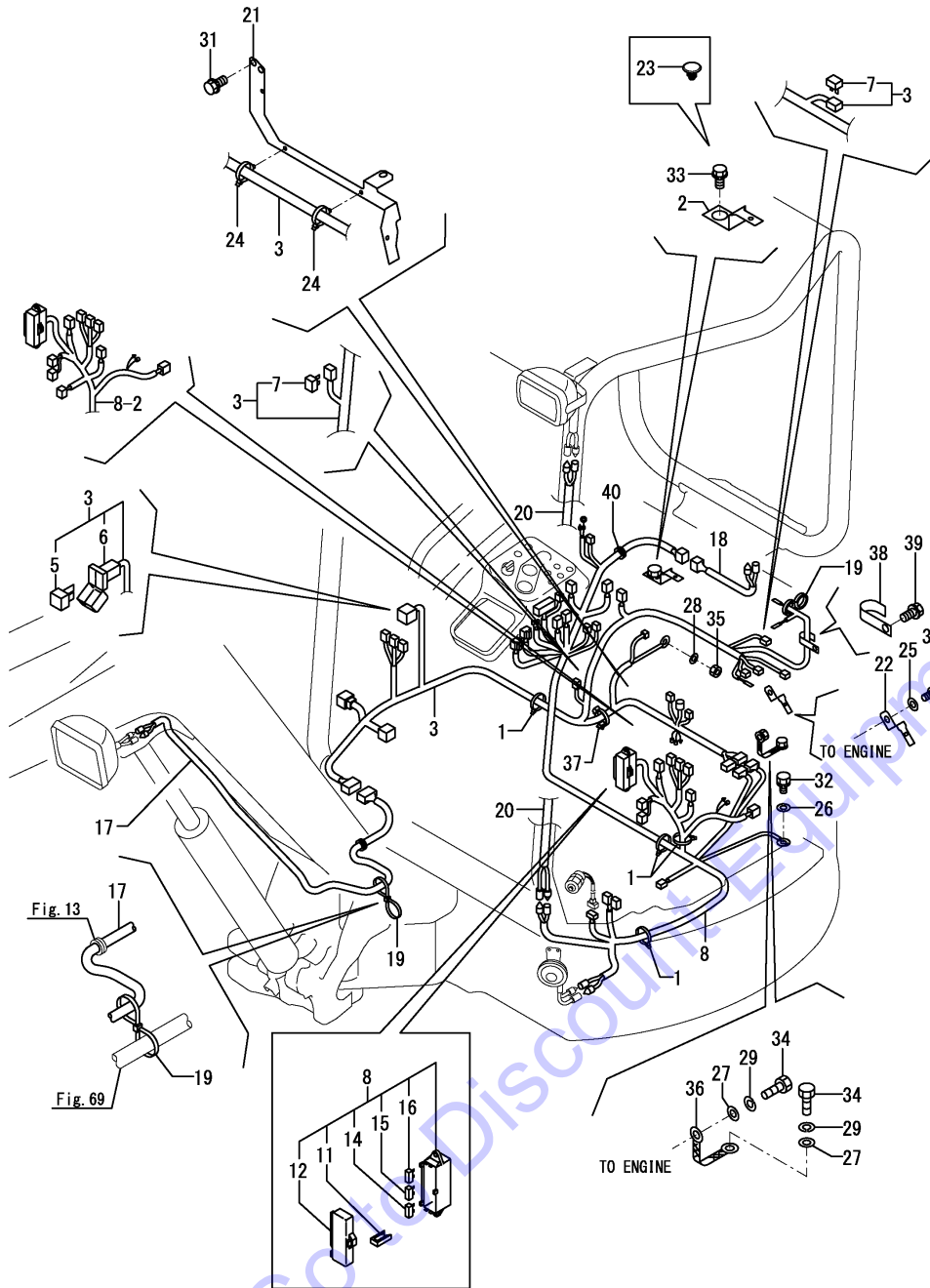
(A)=VIO20-3(US)
(B)=VIO20-3(AS)
(C)=VIO20-3(NZ)

(D)=
(E)=
(F)=

No.	Lev.	Parts No.	Description	Q'ty						I	R
				(A)	(B)	(C)	(D)	(E)	(F)		
1	1	172126-11510	BAND	4	4	4					
1-1	1	172126-11510	BAND	8	8	8					K
		(A=M30919) (B=M30919) (C=M30919)									
2	1	172A23-14200	SUPPORT, CONNECTOR	1	1	1					Z
		(A=*2017.04) (B=*2017.04) (C=*2017.04)									
3	1	172A23-16500	HARNESS ASSY ,A	1	1	1					
5	2	172458-16550	FUSE, SLOWBLOW	1	1	1					
6	2	172447-17140	HOUSING	1	1	1					
7	2	172648-16600	DIODE, 1.5-2P	2	2	2					
8	1	172A36-16520	HARNESS ASSY, B US	1	1	1					
8-1	1	172A36-16521	HARNESS,B,US ASSY	1	1	1					N
		(A=M35469) (B=M35469) (C=M35469)									
8-2	1	172A36-16522	HARNESS ASSY,B US	1	1	1					S
		(A=M37431) (B=M37431) (C=M37431)									
11	2	172175-17120	PULLER	1	1	1					
12	2	172187-17220	COVER	1	1	1					
14	2	29420-050000	FUSE, B 5A	2	2	2					
15	2	29420-150000	FUSE, B 15A	6	6	6					
16	2	29420-300000	FUSE, B 30A	2	2	2					
17	1	172456-16530	HARNESS,BOOM LAMP	1	1	1					
17-1	1	172456-16531	HARNESS, BOOM LAMP	1	1	1					N
		(A=M3A362) (B=M3A362) (C=M3A362)									
18	1	172A23-16540	HARNESS, WIRE	1	1	1					Z
		(A=*2014.03.) (B=*2014.03.) (C=*2014.03.)									
19	1	172137-16560	BAND	2	2	2					
20	1	172458-16561	HARNESS,CANOPY LAMP	1	1	1					
20-1	1	172458-16562	HARNESS, LAMP	1	1	1					N
		(A=M/#30865) (B=M/#30865) (C=M/#30865)									
21	1	172A23-16600	SUPPORT ASSY	1	1	1					
22	1	172460-16700	STAY	1	1	1					
23	1	172122-17190	CLIP, TREE	1	1	1					
23-1	1	172122-17190	CLIP, TREE	2	2	2					K
		(A=*2017.04) (B=*2017.04) (C=*2017.04)									
24	1	194680-51670	BAND, CLIP	4	4	4					
25	1	22137-080000	WASHER, 8	1	1	1					
26	1	22137-100000	WASHER, 10	1	1	1					
27	1	22137-120000	WASHER, 12	2	2	2					
28	1	22217-060000	WASHER, SPRING 6	1	1	1					
29	1	22217-120000	WASHER, SPRING 12	2	2	2					
30	1	26013-080162	BOLT, M8X 16	1	1	1					
31	1	26013-100162	BOLT, M10X 16	2	2	2					
32	1	26013-100202	BOLT, M10X 20	1	1	1					
33	1	26013-100202	BOLT, M10X 20	1	1	1					Z
		(A=*2017.04) (B=*2017.04) (C=*2017.04)									
34	1	26116-120162	BOLT, M12X 16 PLATED	2	2	2					
35	1	26716-060002	NUT, M6	1	1	1					
36	1	933171-15801	CORD, ENGINE EARTH	1	1	1					
37	1	194680-51670	BAND, CLIP	2	2	2					W
		(A=M30909) (B=M30909) (C=M30909)									
38	1	1A1380-59480	CLAMP, CORD	1	1	1					
39	1	26013-100162	BOLT, M10X 16	1	1	1					

N:Old $\frac{Yes}{No}$ New, Q:Old $\frac{No}{Yes}$ New, R:Old $\frac{Yes}{Yes}$ New, S:Old $\frac{No}{No}$ New, W:Add, Z:Discontinued, F:Interchangeable by set, K:Q'ty Change
 ++ CONTINUE ++
 Copyright (C) YANMAR CO., LTD. All Rights Reserved.

Fig.12. WIRING

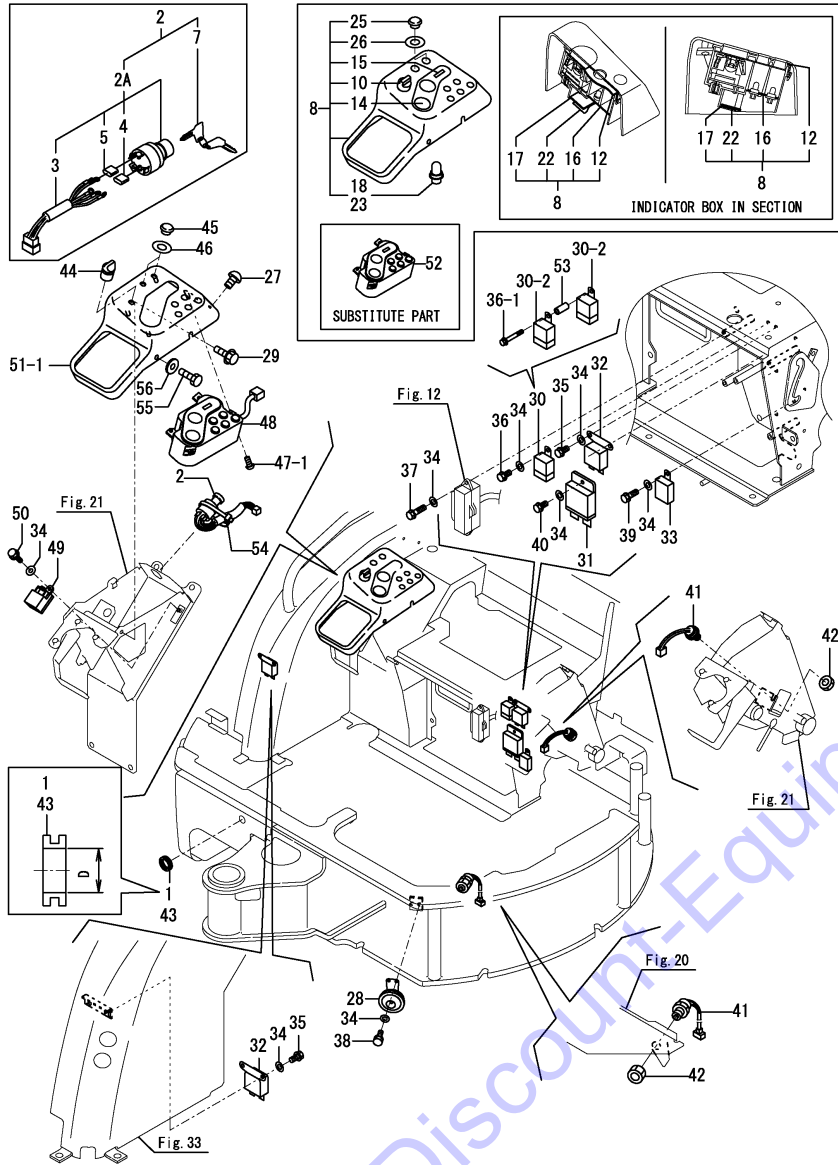


(A)=VIO20-3(US)
 (B)=VIO20-3(AS)
 (C)=VIO20-3(NZ)

(D)=
 (E)=
 (F)=

No.	Lev.	Parts No.	Description	Q'ty						I	R
				(A)	(B)	(C)	(D)	(E)	(F)		
40	1	172A21-61600 (A=*2017.04) (B=*2017.04)	PLUG, 28X3.2 (C=*2017.04)	1	1	1					W

Fig.13. EQUIPMENT



(A)=VIO20-3(US)
 (B)=VIO20-3(AS)
 (C)=VIO20-3(NZ)

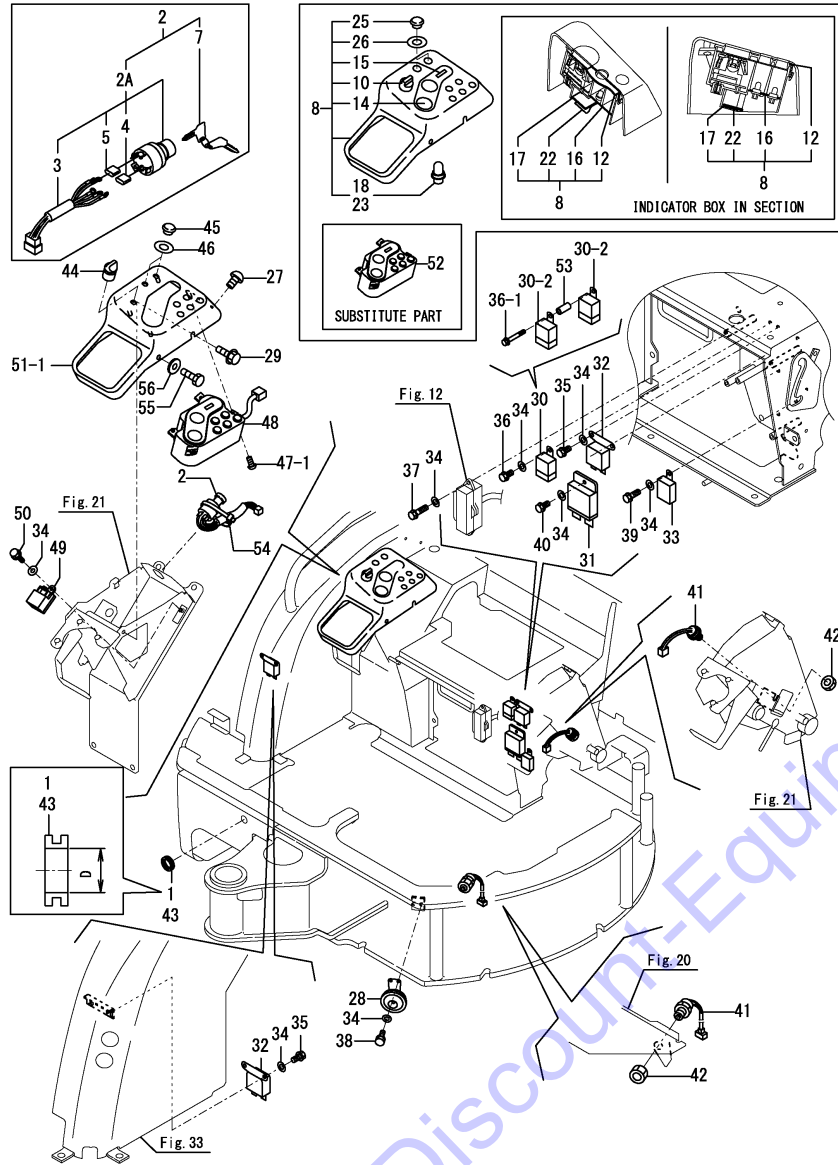
(D)=
 (E)=
 (F)=

No.	Lev.	Parts No.	Description	Q'ty						I	R		
				(A)	(B)	(C)	(D)	(E)	(F)				
1	1	172187-16560	GROMMET	1							Z	1	
		(A=M/#32722)											
2	1	172187-17100	SWITCH ASSY, STARTER	1	1	1							
2-1	1	172187-17101	SWITCH ASSY, STARTER	1	1	1						N	
		(A=M39084) (B=M39084) (C=M39084)											
2-2	1	172527-17101	SWITCH ASSY, STARTER	1	1	1						R	
		(A=*2018.12) (B=*2018.12) (C=*2018.12)											
2A	2	172A47-17210	CYLINDER ASSY, KEY	1	1	1						W	
		(A=M36045) (B=M36045) (C=M36045)											
2A-1	2	172A47-17211	CYLINDER ASSY, KEY	1	1	1						N	
		(A=M39084) (B=M39084) (C=M39084)											
3	3	172187-17070	CORD ASSY	1	1	1							
4	3	172187-17080	COVER	3	3	3							
5	3	172187-17090	COVER	2	2	2							
7	2	933110-00301	KEY ASSY	1	1	1							
7-1	2	172524-17330	KEY ASSY, E	1	1	1						R	
		(A=*2018.12) (B=*2018.12) (C=*2018.12)											
8	1	172458-17501	BOX,INDICATOR(CANOPY)	1								Z	2
		(A=M35469)											
10	2	172187-17280	SWITCH ASSY, LIGHT	1	1	1							
12	2	172187-17320	PACKING	1	1	1							
14	2	172187-17341	GAUGE ASSY	1	1	1							
15	2	172187-17350	METER ASSY, HOUR	1	1	1							
16	2	172187-17360	PRINT, CIRCUIT	1	1	1							
17	2	172187-17371	CIRCUIT ASSY	1	1	1							
18	2	172187-17380	BULB	4	4	4							
22	2	172187-17470	PLATE	1	1	1							
23	2	172187-17480	BULB	2	2	2							
25	2	172187-17560	CAP	2	2	2							
26	2	172187-17570	GASKET	2	2	2							
27	1	172458-46720	BOLT	1	1	1							
27-1	1	172519-63240	BOLT	1	1	1						R	
		(A=*2015.06.) (B=*2015.06.) (C=*2015.06.)											
28	1	194151-57100	HORN	1	1	1							
29	1	172519-63240	BOLT	3	3	3							
29-1	1	172519-63240	BOLT	2	2	2						K	
		(A=*2015.06.) (B=*2015.06.) (C=*2015.06.)											
30	1	119247-77100	RELAY, POWER	1	1	1							
30-1	1	198461-52950	RELAY, CA TYPE C	1	1	1						R	
		(A=*2015.11.) (B=*2015.11.) (C=*2015.11.)											
30-2	1	198461-52950	RELAY, CA TYPE C	2	2	2						K	
		(A=M37431) (B=M37431) (C=M37431)											
31	1	119802-77200	RELAY, SAFETY	1	1	1							
32	1	119650-77910	RELAY ASSY, GLOW	2	2	2							
33	1	129211-77920	TIMER	1	1	1							
34	1	22137-060000	WASHER, 6	12	12	12							
34-1	1	22137-060000	WASHER, 6	10	10	10						K	
		(A=M37431) (B=M37431) (C=M37431)											
35	1	26013-060122	BOLT, M6X 12	4	4	4							
36	1	26013-060122	BOLT, M6X 12	1	1	1							
36-1	1	26014-060402	BOLT, M6X 40	1	1	1						S	

Remarks

- (1)D=No.1 : 15mm, No.43 : 25mm.
- (2)Hour meter = analog type. Only the monitor port copes in No.52.
- (3)Hour meter = L.C.D. type.
- (4)Color = DARK OLIVE GRAY.
- (5)Color = PANTONE 425C.

Fig.13. EQUIPMENT



(A)=VIO20-3(US)
 (B)=VIO20-3(AS)
 (C)=VIO20-3(NZ)

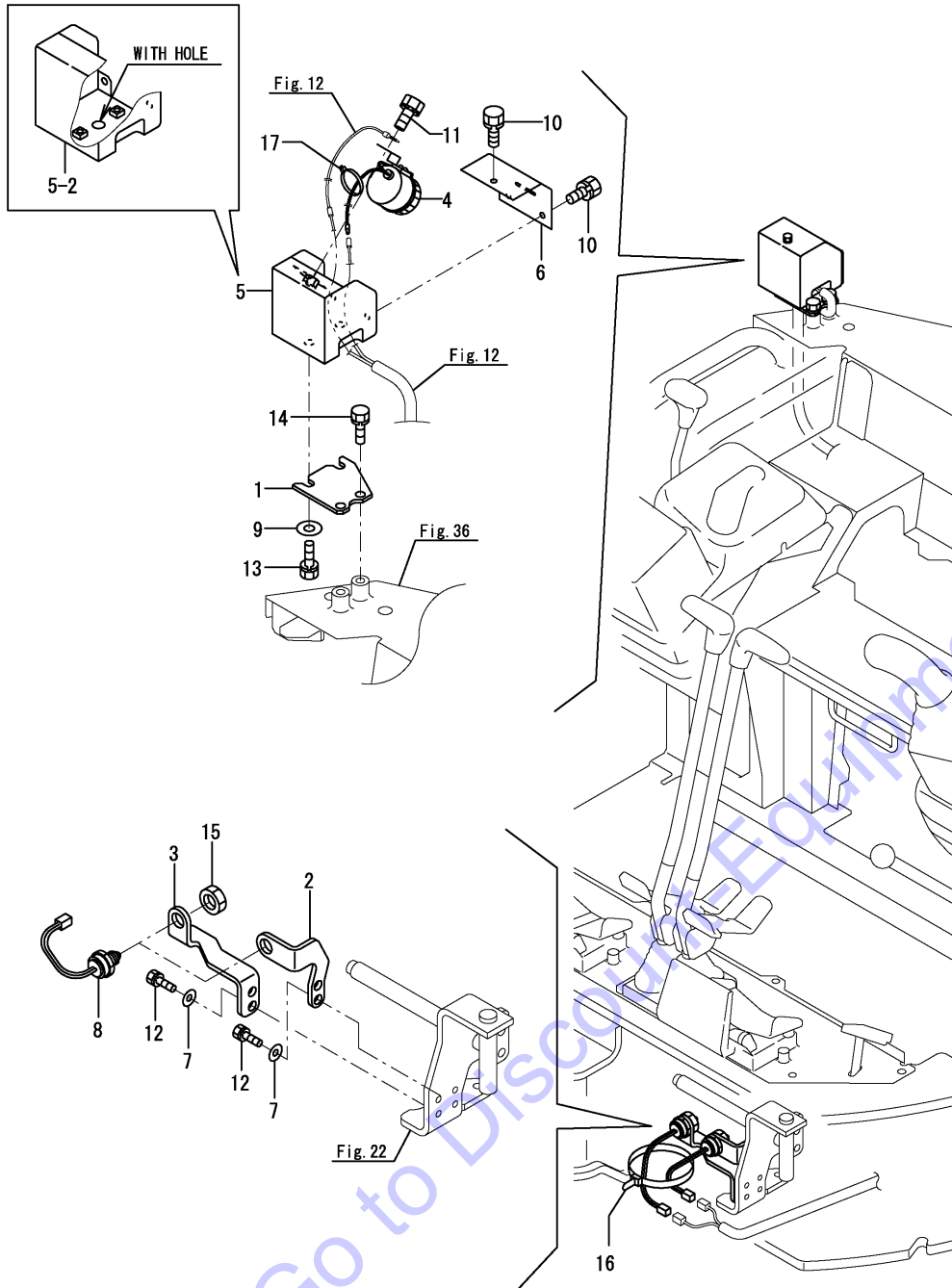
(D)=
 (E)=
 (F)=

No.	Lev.	Parts No.	Description	Q'ty						I	R
				(A)	(B)	(C)	(D)	(E)	(F)		
		(A=M37431) (B=M37431) (C=M37431)									
37	1	26013-060122	BOLT, M6X 12	2	2	2					
38	1	26013-060162	BOLT, M6X 16	2	2	2					
38-1	1	26013-060122	BOLT, M6X 12	2	2	2					N
		(A=M37431) (B=M37431) (C=M37431)									
39	1	26013-060162	BOLT, M6X 16	1	1	1					
40	1	26013-060202	BOLT, M6X 20	2	2	2					
41	1	194464-52190	SWITCH, START	2	2	2					
42	1	26776-180002	NUT, LOCK M18	2	2	2					
43	1	933171-15680	GROMMET	1	1	1					W 1
		(A=M/#32722) (B=M/#32722) (C=M/#32722)									
44	1	172187-17280	SWITCH ASSY, LIGHT	1	1	1					W 4
		(A=M35469) (B=M35469) (C=M35469)									
44-1	1	172187-17760	SWITCH ASSY, LAMP D	1	1	1					S 5
		(A=MEF001) (B=MEF001) (C=MEF001)									
45	1	172187-17560	CAP	2	2	2					W
		(A=M35469) (B=M35469) (C=M35469)									
46	1	172187-17570	GASKET	2	2	2					W
		(A=M35469) (B=M35469) (C=M35469)									
47-1	1	22877-400121	SCREW, 4X12	4	4	4					W
		(A=M35469) (B=M35469) (C=M35469)									
48	1	172A77-17250	MONITOR ASSY	1	1	1					W
		(A=M35469) (B=M35469) (C=M35469)									
49	1	124970-77920	TIMER	1	1	1					W
		(A=M35469) (B=M35469) (C=M35469)									
50	1	26014-060202	BOLT, M6X 20	1	1	1					W
		(A=M35469) (B=M35469) (C=M35469)									
51-1	1	172A25-17200	IN-PANE R,CANOPY	1	1	1					W 4
		(A=M35460) (B=M35460) (C=M35460)									
51-2	1	172A25-17300	COVER, INPANE P D	1	1	1					S 5
		(A=MEF001) (B=MEF001) (C=MEF001)									
52	1	172A77-17500	MONITOR ASSY	1	1	1					3
53	1	172A65-17480	COLLAR	1	1	1					W
		(A=M37431) (B=M37431) (C=M37431)									
54	1	172126-11510	BAND	1	1	1					W
55	1	172487-63500	BOLT,LOW HEAD 8X20	1	1	1					W
		(A=*2015.06.) (B=*2015.06.) (C=*2015.06.)									
56	1	22137-080000	WASHER, 8	1	1	1					W
		(A=*2015.06.) (B=*2015.06.) (C=*2015.06.)									

Remarks

- (1)D=No.1 : 15mm, No.43 : 25mm.
- (2)Hour meter = analog type. Only the monitor port copes in No.52.
- (3)Hour meter = L.C.D. type.
- (4)Color = DARK OLIVE GRAY.
- (5)Color = PANTONE 425C.

Fig.14. TRAVEL ALARM



(A)=VIO20-3(US)
 (B)=VIO20-3(AS)
 (C)=VIO20-3(NZ)

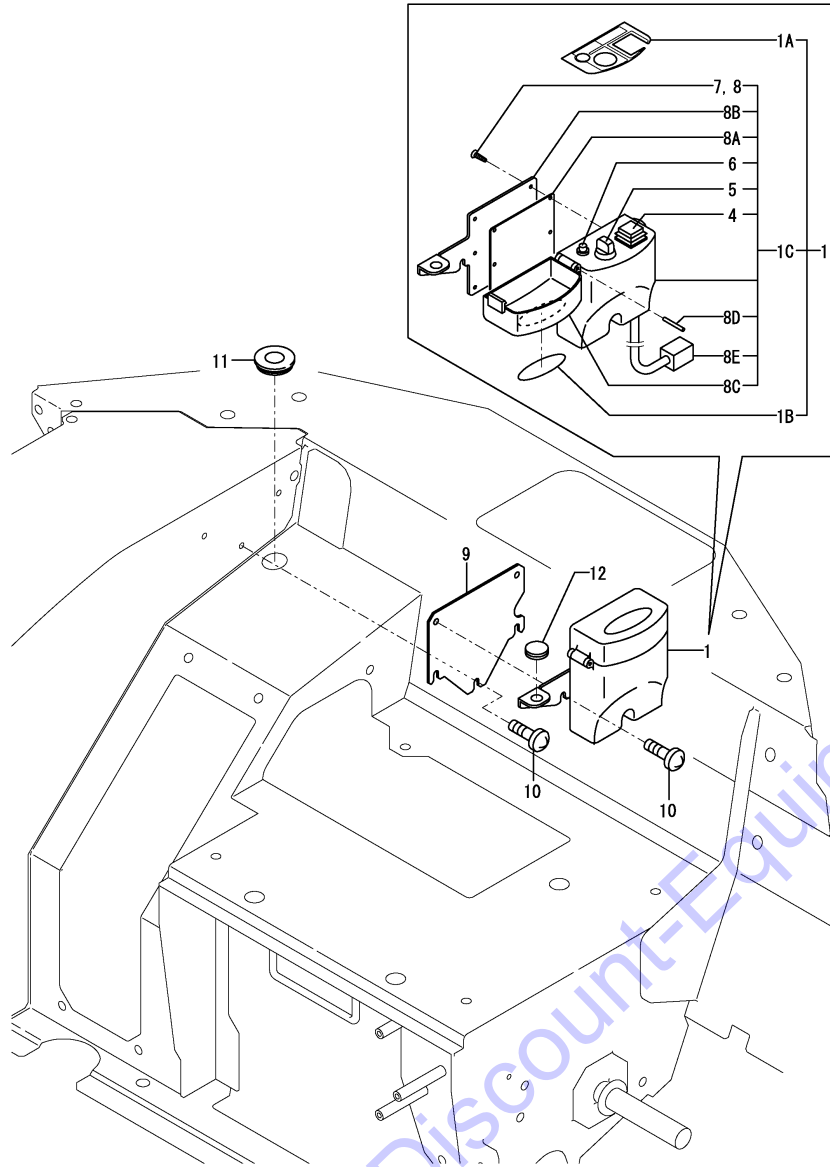
(D)=
 (E)=
 (F)=

No.	Lev.	Parts No.	Description	Q'ty						I	R
				(A)	(B)	(C)	(D)	(E)	(F)		
1	1	172472-17200	PLATE,ALARM	1	1	1					
1-1	1	172472-17200-Y	PLATE,ALARM	1	1	1					S
		(A=M45501) (B=M45501) (C=M45501)									
2	1	172472-17250	BRACKET A SSW	1	1	1					
3	1	172472-17260	BRACKET B SSW	1	1	1					
4	1	172511-17351	BUZZER, BACK	1	1	1					
5	1	172472-17400	CASE ASSY, ALARM	1	1	1					
5-1	1	172472-17400-1	CASE ASSY, ALARM	1	1	1					S
		(A=M34345) (B=M34345) (C=M34345)									
5-2	1	172472-17401-1	CASE ASSY, ALARM	1	1	1					S
		(A=M35234) (B=M35234) (C=M35234)									
5-3	1	172472-17401-Y	CASE ASSY, ALARM	1	1	1					S
		(A=M45501) (B=M45501) (C=M45501)									
6	1	172472-17470	COVER, ALARM CASE	1	1	1					
6-1	1	172472-17470-1	COVER, ALARM CASE	1	1	1					S
		(A=M34345) (B=M34345) (C=M34345)									
6-2	1	172472-17470-Y	COVER, ALARM CASE	1	1	1					S
		(A=M45501) (B=M45501) (C=M45501)									
7	1	172157-45840	WASHER 8X18X4	4	4	4					
8	1	194464-52190	SWITCH, START	2	2	2					
9	1	22137-100000	WASHER, 10	2	2	2					
10	1	26013-060122	BOLT, M6X 12	3	3	3					
11	1	26013-080122	BOLT, M8X 12	1	1	1					
12	1	26013-080252	BOLT, M8X 25	4	4	4					
13	1	26013-100252	BOLT, M10X 25	2	2	2					
14	1	26013-100252	BOLT, M10X 25	2	2	2					
15	1	26776-180002	NUT, LOCK M18	2	2	2					
16	1	933152-09280	BAND	3	3	3					
17	1	933168-55770	BAND	1	1	1					

Fig.15. QUICK COUPLER(SWITCH BOX)

(A)=VIO20-3(US)
 (B)=VIO20-3(AS)
 (C)=VIO20-3(NZ)

(D)=
 (E)=
 (F)=

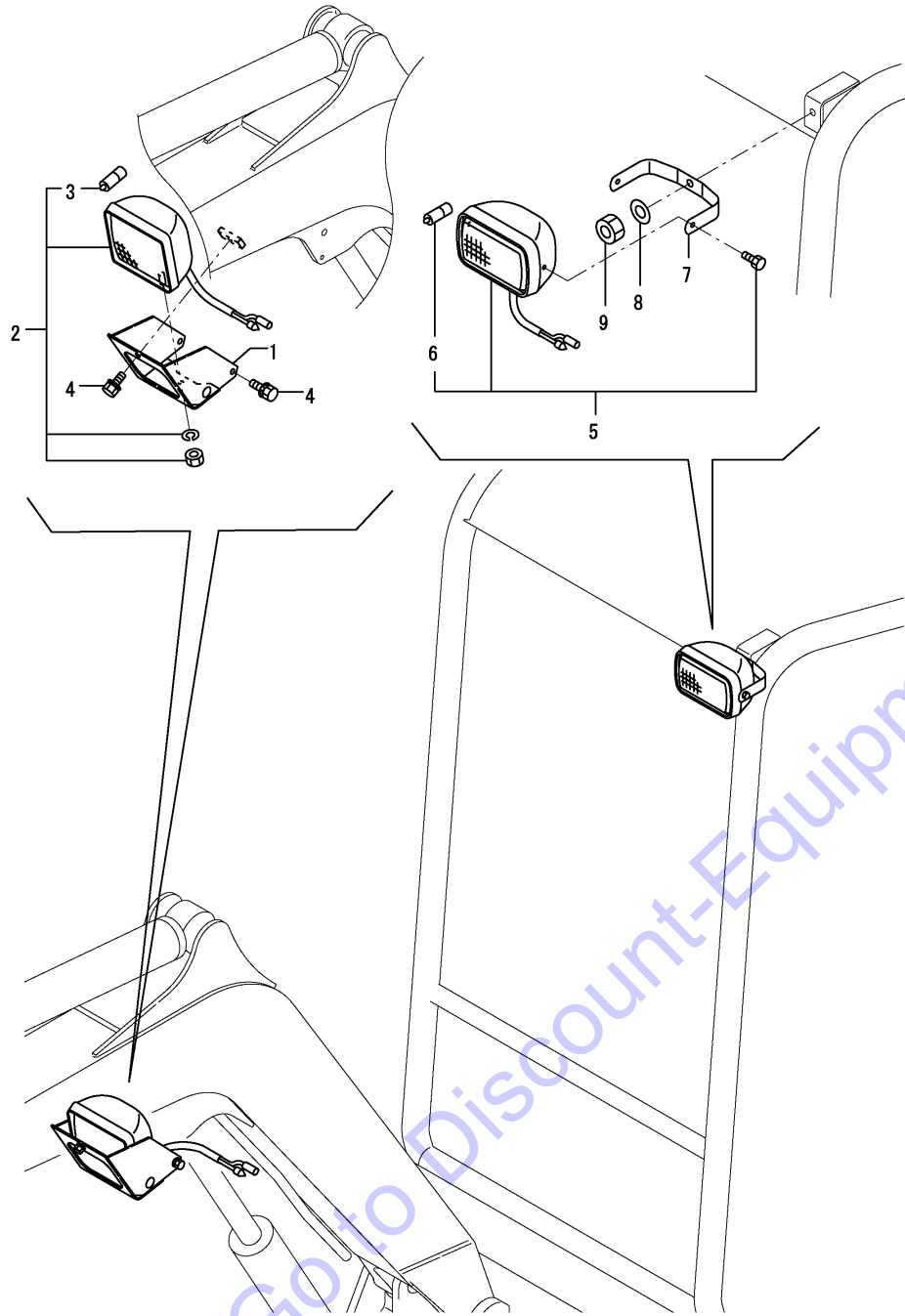


No.	Lev.	Parts No.	Description	Q'ty						I	R
				(A)	(B)	(C)	(D)	(E)	(F)		
1	1	172958-17110	BOX, SWITCH (A=M/#35241) (B=M/#35241) (C=M/#35241)	1	1	1				W	2
1-1	1	172958-17111	BOX, SWITCH EX (A=M45787) (B=M45787) (C=M45787)	1	1	1				N	2
1-2	1	172958-17410	BOX, SWITCH EX D (A=MEF001) (B=MEF001) (C=MEF001)	1	1	1				S	4
1A	2	172472-03290	LABEL, SWITCH (A=M/#35241) (B=M/#35241) (C=M/#35241)	1	1	1					W
1B	2	172472-03300	LABEL, COVER (A=M/#35241) (B=M/#35241) (C=M/#35241)	1	1	1					W
1C	2	172958-17101	BOX, SWITCH (A=M/#35241) (B=M/#35241) (C=M/#35241)	1	1	1				W	2
1C-1	2	172958-17102	BOX, SWITCH (A=M45787) (B=M45787) (C=M45787)	1	1	1				N	2
1C-2	2	172958-17400	BOX, SWITCH D (A=MEF001) (B=MEF001) (C=MEF001)	1	1	1				S	4
4	3	172958-17140	SWITCH ASSY	1	1	1					1
5	3	172958-17150	SWITCH ASSY	1	1	1					1
6	3	172958-17160	LAMP, INDICATOR	1	1	1					1
7	3	172958-17170	SCREW, TAPPING	1	1	1					1
7-1	3	172958-17170	SCREW, TAPPING (A=M/#31849) (B=M/#31849) (C=M/#31849)	6	6	6				K	1
8	3	172958-17180	SCREW, TAPPING	1	1	1					1
8-1	3	172958-17180	SCREW, TAPPING (A=M/#31849) (B=M/#31849) (C=M/#31849)	2	2	2				K	1
8A	3	172958-17190	PACKING	1	1	1					1
8B	3	172958-17200	BRACKET	1	1	1					1
8C	3	172958-17210	CASE	1	1	1					2
8C-1	3	172958-17230	CASE, UPPER (A=MEF001) (B=MEF001) (C=MEF001)	1	1	1				S	4
8D	3	22351-030028	PIN, SPRING 3.0X28	1	1	1					1
8E	3	172958-17220	CORD (A=M/#32563) (B=M/#32563) (C=M/#32563)	1	1	1				W	1
9	1	172A30-17200	BRACKET ASSY, Q HITCH	1	1	1					
10	1	172137-46210	SCREW	5	5	5					
11	1	172958-64500	PLUG	1	1	1					3
11-1	1	172958-64600	PLUG, BLACK 28 (A=MEF001) (B=MEF001) (C=MEF001)	1	1	1				S	5
12	1	172187-64900	PLUG	1	1	1					

Remarks

- (1)Level changed.
- (2)Color = DARK OLIVE GRAY.
- (3)Color = WARM GARY.
- (4)Color = PANTONE 425C.
- (5)Color = BLACK.

Fig.16. WORK LAMP & CANOPY LAMP

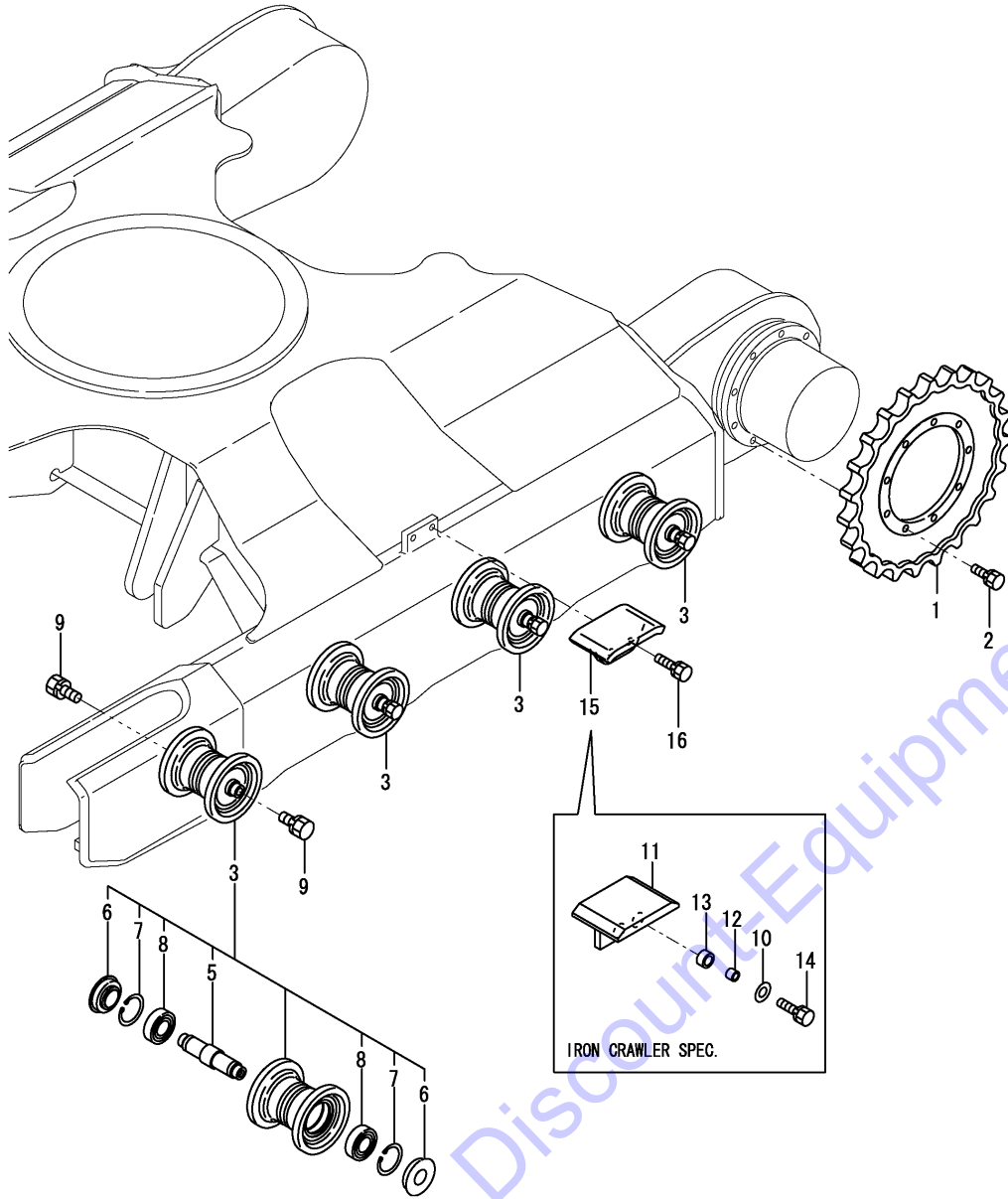


(A)=VIO20-3(US)
 (B)=VIO20-3(AS)
 (C)=VIO20-3(NZ)

(D)=
 (E)=
 (F)=

No.	Lev.	Parts No.	Description	Q'ty						I	R
				(A)	(B)	(C)	(D)	(E)	(F)		
1	1	172456-17400-1	COVER ASSY, LAMP	1	1	1					
1-1	1	172456-17400-2	COVER ASSY, LAMP	1	1	1					S
		(A=M34345) (B=M34345) (C=M34345)									
1-2	1	172456-17401-2	COVER ASSY, LAMP	1	1	1					N
		(A=M45001) (B=M45001) (C=M45001)									
1-3	1	172456-17401-Y	COVER ASSY, LAMP	1	1	1					S
		(A=M45501) (B=M45501) (C=M45501)									
2	1	172458-17450	LAMP, WORK	1	1	1					
3	2	172187-17540	BULB	1	1	1					
4	1	26014-080202	BOLT, M8X 20	3	3	3					
5	1	172458-17400	LAMP	1	1	1					
6	2	172458-17420	BULB	1	1	1					
7	1	172458-17410-1	STAY, LAMP	1	1	1					
7-1	1	172458-17410	STAY, LAMP	1	1	1					S
		(A=M/#32643) (B=M/#32643) (C=M/#32643)									
7-2	1	172458-17410-4	STAY, LAMP	1	1	1					S
		(A=MEF001) (B=MEF001) (C=MEF001)									
8	1	22137-100000	WASHER, 10	1	1	1					
9	1	26346-100002	NUT, M10	1	1	1					

Fig.17. SPROCKET & ROLLER



(A)=VIO20-3(US)
 (B)=VIO20-3(AS)
 (C)=VIO20-3(NZ)

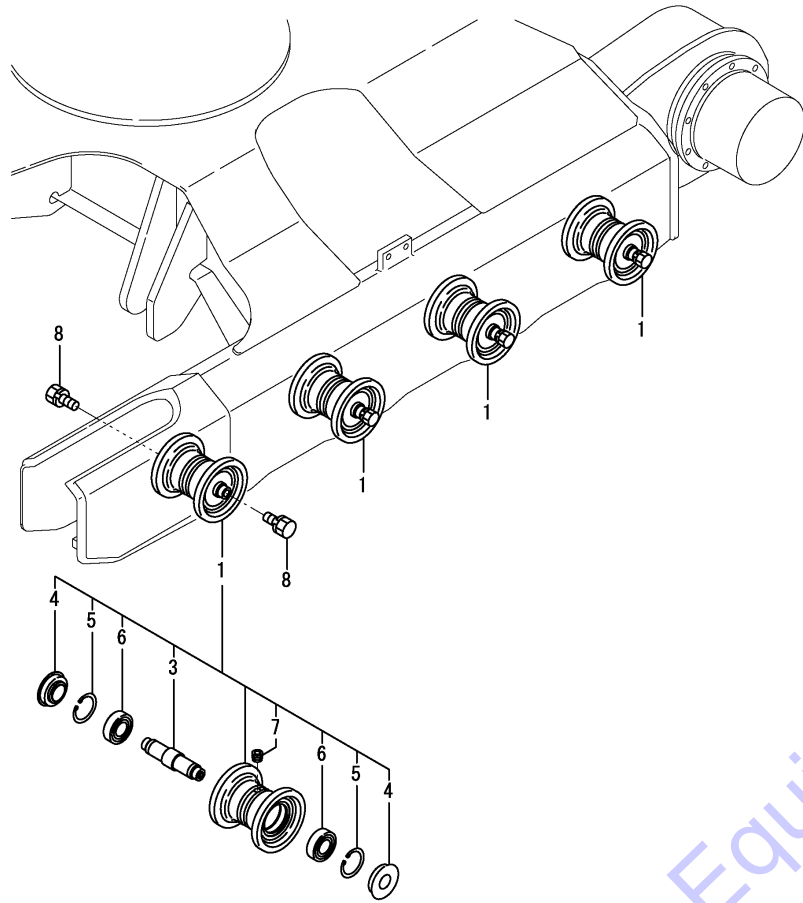
(D)=
 (E)=
 (F)=

No.	Lev.	Parts No.	Description	Q'ty						I	R
				(A)	(B)	(C)	(D)	(E)	(F)		
1	1	172173-29100-1	SPROCKET	2	2	2					
1-1	1	172173-29100-2	SPROCKET, 23	2	2	2					S
		(A=M/#32643) (B=M/#32643) (C=M/#32643)									
2	1	26013-100252	BOLT, M10X 25	18	18	18					
3	1	772456-37301-1	ROLLER ASSY, TRACK	8	8	8					
3-1	1	172487-37050-2	ROLLER ASSY, TRACK	8	8	8					N
		(A=M/#32860) (B=M/#32860) (C=M/#32860)									
3-2	1	172487-37050-1	ROLLER ASSY, TRACK	8	8	8					S
		(A=M/#32643) (B=M/#32643) (C=M/#32643)									
3-3	1	172487-37050-1	ROLLER ASSY, TRACK	8	8	8					Z 3
		(A=M3B855) (B=M3B855) (C=M3B855)									
5	2	172456-37320	SHAFT, ROLLER	8	8	8					
6	2	1E6140-73420	SEAL, OIL 25X52X18	16	16	16					
7	2	22252-000520	RING, 52	16	16	16					
8	2	24101-062054	BEARING, BALL 6205	16	16	16					
9	1	26013-120252	BOLT, M12X 25	16	16	16					
10	1	172110-36010	COLLAR	4	4	4					1
11	1	172173-37500-2	PLATE, SHOE	2	2	2					1
11-1	1	172173-37500-3	PLATE,HOSE BAFFLE(49	2	2	2					S 1
		(A=M/#32643) (B=M/#32643) (C=M/#32643)									
12	1	172183-37510	COLLAR, 11X16X13	4	4	4					1
13	1	172183-37520	COLLAR, 16X24X13	4	4	4					1
14	1	26013-100352	BOLT, M10X 35	4	4	4					1
15	1	172456-37500-1	PLATE, SHOE	2	2	2					2
15-1	1	172456-37500-2	PLATE, SHOE	2	2	2					S 2
		(A=M/#32643) (B=M/#32643) (C=M/#32643)									
16	1	26013-100302	BOLT, M10X 30	4	4	4					2

Remarks

- (1)Iron crawler specification.
- (2)Rubber crawler specification.
- (3)Interchangeable by Fig.93(17A) No.1.

Fig.93. (17A)TRACK ROLLER(S SPEC.)



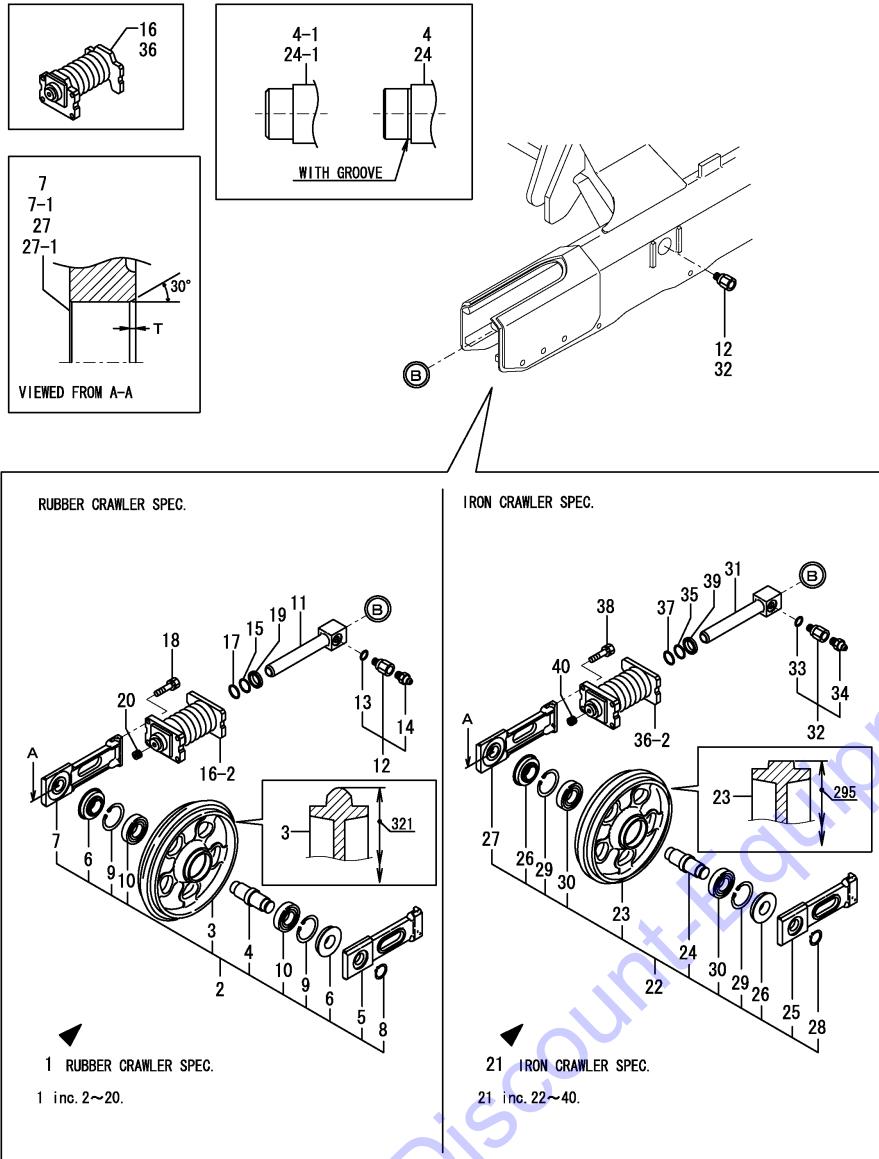
(A)=VIO20-3(US)
 (B)=VIO20-3(AS)
 (C)=VIO20-3(NZ)

(D)=
 (E)=
 (F)=

No.	Lev.	Parts No.	Description	Q'ty						I	R
				(A)	(B)	(C)	(D)	(E)	(F)		
1	1	172A23-37300 (A=M3B855) (B=M3B855) (C=M3B855)	ROLLER ASSY, LOWER	1	1	1					W
3	2	172A23-37320	SHAFT	1	1	1					
4	2	1E6140-73420	SEAL, OIL 25X52X18	2	2	2					
5	2	22252-000520	RING, 52	2	2	2					
6	2	24101-062054	BEARING, BALL 6205	2	2	2					
7	2	933171-13691	PLUG	1	1	1					
8	1	26013-120252	BOLT, M12X 25	2	2	2					

Go to Discount-Equipment.com to order your parts

Fig.18. IDLER & ADJUST



(A)=VIO20-3(US)
(B)=VIO20-3(AS)
(C)=VIO20-3(NZ)

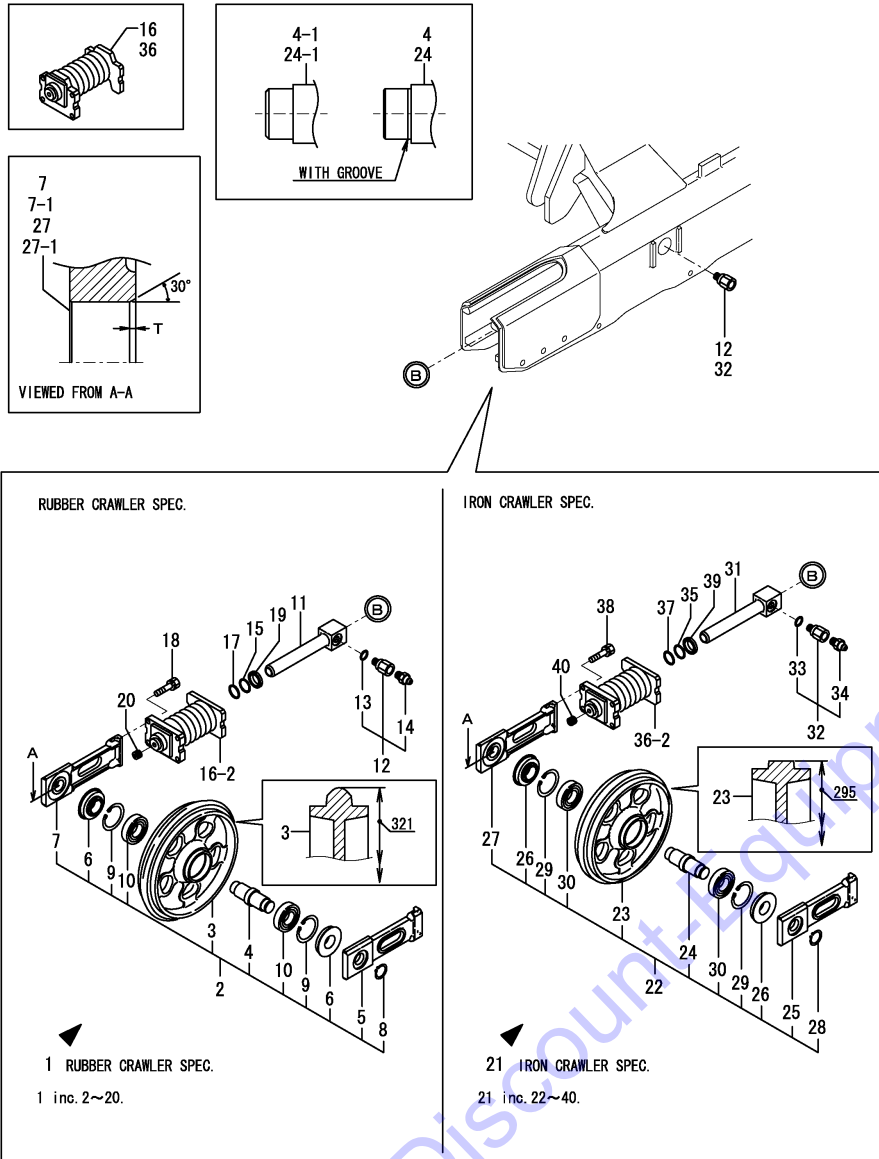
(D)=
(E)=
(F)=

No.	Lev.	Parts No.	Description	Q'ty						I	R
				(A)	(B)	(C)	(D)	(E)	(F)		
1	1	772456-37120-3	IDLER ASSY, RUBBER	2	2	2					1
1-1	1	772456-37120-1	IDLER ASSY, RUBBER	2	2	2					S 1
		(A=M/#32643) (B=M/#32643) (C=M/#32643)									
2	2	772456-37100-1	IDLER ASSY, RUBBER	2	2	2					
2-1	2	772456-37100-2	IDLER ASSY, RUBBER	2	2	2					S
		(A=M/#32643) (B=M/#32643) (C=M/#32643)									
3	3	172456-37100-1	IDLER, 285	2	2	2					
3-1	3	172456-37100-2	IDLER ASSY	2	2	2					S
		(A=M/#32643) (B=M/#32643) (C=M/#32643)									
4	3	172456-37120	SHAFT, IDLER	2	2	2					
4-1	3	172456-37121	SHAFT, IDLER	2	2	2					F 3
		(A=M/#32797) (B=M/#32797) (C=M/#32797)									
5	3	172456-37130	COVER, IDLER SEAL	2	2	2					
6	3	172141-37140	SEAL, 357220	4	4	4					
7	3	172456-37140	COVER, IDLER SEAL	2	2	2					5
7-1	3	172456-37141	COVER, IDLER SEAL	2	2	2					S 5
		(A=M/#32797) (B=M/#32797) (C=M/#32797)									
8	3	22242-000300	RING, 30	2	2	2					
9	3	22252-000720	RING, 72	4	4	4					
10	3	24101-062074	BEARING, BALL 6207	4	4	4					
11	2	172456-37801	TUBE ASSY, ADJUST	2	2	2					
12	2	172122-37844	VALVE ASSY, NIPPLE	2	2	2					
13	3	24315-000140	O-RING, 1BP14.0	2	2	2					
14	3	24761-020000	NIPPLE, GREASE PT1/8	2	2	2					
15	2	172137-37850	RING, BACK UP	2	2	2					
15-1	2	172A23-37750	RING, BACK UP	2	2	2					N
		(A=M/#31944) (B=M/#31944) (C=M/#31944)									
16	2	172421-37851	SPRING ASSY, ADJUST	2	2	2					1
16-1	2	172421-37852	SPRING ASSY, CRAWLER	2	2	2					N 1
		(A=M/#32044) (B=M/#32044) (C=M/#32044)									
16-2	2	172421-37853	SPRING ASSY, CRAWLER	2	2	2					S 1
		(A=M/#32563) (B=M/#32563) (C=M/#32563)									
17	2	24315-000300	O-RING, 1BP30.0	2	2	2					
18	2	26013-100402	BOLT, M10X 40	8	8	8					
19	2	933126-38600	SEAL, DUST	2	2	2					
20	2	933171-13691	PLUG	2	2	2					
21	1	772456-37130-3	IDLER ASSY, IRON	2	2	2					2
21-1	1	772456-37130-1	IDLER ASSY, IRON	2	2	2					S 2
		(A=M/#32643) (B=M/#32643) (C=M/#32643)									
22	2	772456-37110-1	IDLER ASSY, IRON	2	2	2					
22-1	2	772456-37110-2	IDLER ASSY, IRON	2	2	2					S
		(A=M/#32643) (B=M/#32643) (C=M/#32643)									
23	3	172456-37110-1	IDLER ASSY	2	2	2					
23-1	3	172456-37110-2	IDLER ASSY	2	2	2					S
		(A=M/#32643) (B=M/#32643) (C=M/#32643)									
24	3	172456-37120	SHAFT, IDLER	2	2	2					
24-1	3	172456-37121	SHAFT, IDLER	2	2	2					F 4
		(A=M/#32797) (B=M/#32797) (C=M/#32797)									
25	3	172456-37130	COVER, IDLER SEAL	2	2	2					
26	3	172141-37140	SEAL, 357220	4	4	4					
27	3	172456-37140	COVER, IDLER SEAL	2	2	2					5

Remarks

- (1)Rubber crawler specification.
- (2)Iron crawler specification.
- (3)Interchangeable by simultaneous replacement with No.7-1.
- (4)Interchangeable by simultaneous replacement with No.27-1.
- (5)T=No.7, 27 : 1mm, No.7-1, 27-1 : 1.5mm

Fig.18. IDLER & ADJUST



(A)=VIO20-3(US)
 (B)=VIO20-3(AS)
 (C)=VIO20-3(NZ)

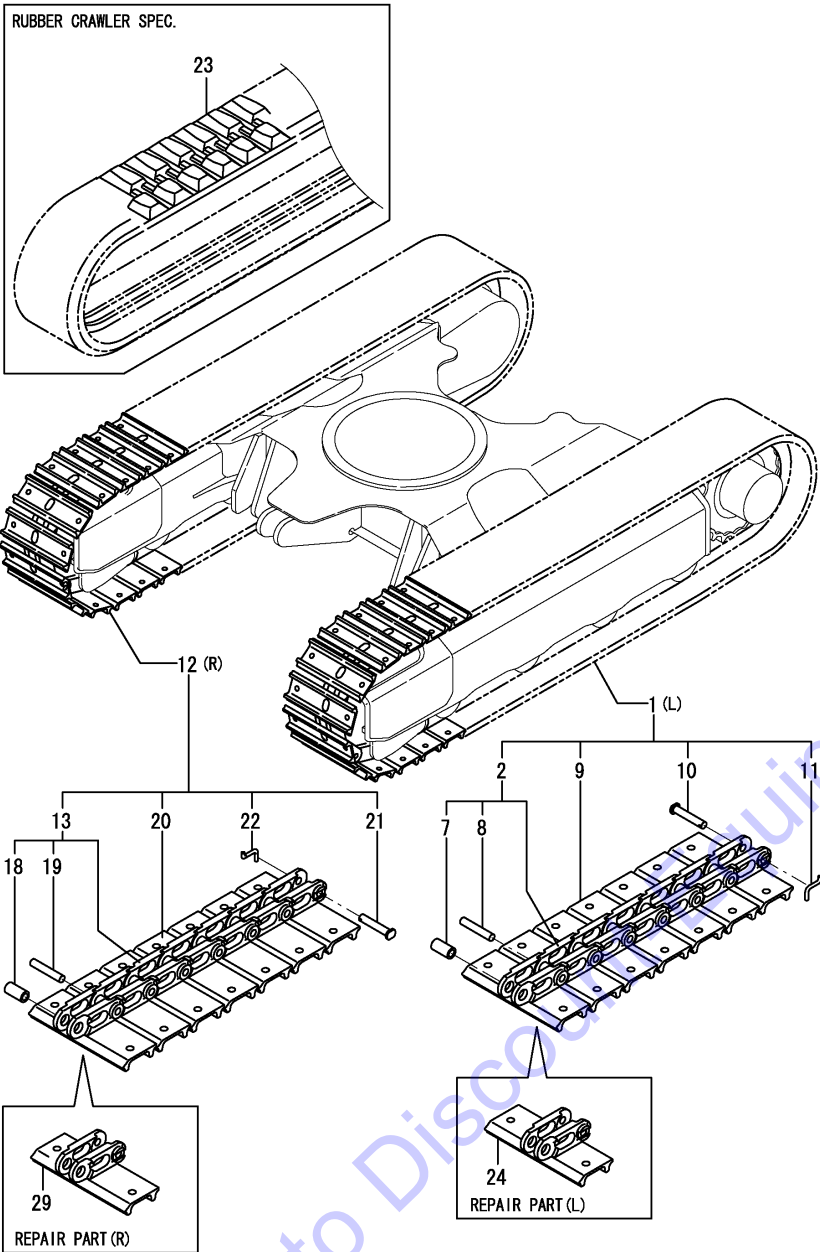
(D)=
 (E)=
 (F)=

No.	Lev.	Parts No.	Description	Qty						I	R		
				(A)	(B)	(C)	(D)	(E)	(F)				
27-1	3	172456-37141 (A=M/#32797) (B=M/#32797) (C=M/#32797)	COVER, IDLER SEAL	2	2	2					S	5	
28	3	22242-000300	RING, 30	2	2	2							
29	3	22252-000720	RING, 72	4	4	4							
30	3	24101-062074	BEARING, BALL 6207	4	4	4							
31	2	172456-37801	TUBE ASSY, ADJUST	2	2	2							
32	2	172122-37844	VALVE ASSY, NIPPLE	2	2	2							
33	3	24315-000140	O-RING, 1BP14.0	2	2	2							
34	3	24761-020000	NIPPLE, GREASE PT1/8	2	2	2							
35	2	172137-37850	RING, BACK UP	2	2	2							
35-1	2	172A23-37750 (A=M/#31944) (B=M/#31944) (C=M/#31944)	RING, BACK UP	2	2	2						N	
36	2	172421-37701	SPRING ASSY, CRAWLER	2	2	2						2	
36-1	2	172421-37702 (A=M/#32044) (B=M/#32044) (C=M/#32044)	SPRING ASSY, CRAWLER	2	2	2						N	2
36-2	2	172421-37703 (A=M/#32563) (B=M/#32563) (C=M/#32563)	SPRING ASSY, CRAWLER	2	2	2						S	2
37	2	24315-000300	O-RING, 1BP30.0	2	2	2							
38	2	26013-100402	BOLT, M10X 40	8	8	8							
39	2	933126-38600	SEAL, DUST	2	2	2							
40	2	933171-13691	PLUG	2	2	2							

Remarks

- (1)Rubber crawler specification.
- (2)Iron crawler specification.
- (3)Interchangeable by simultaneous replacement with No.7-1.
- (4)Interchangeable by simultaneous replacement with No.27-1.
- (5)T=No.7, 27 : 1mm, No.7-1, 27-1 : 1.5mm

Fig.19. CRAWLER



(A)=VIO20-3(US)
 (B)=VIO20-3(AS)
 (C)=VIO20-3(NZ)

(D)=
 (E)=
 (F)=

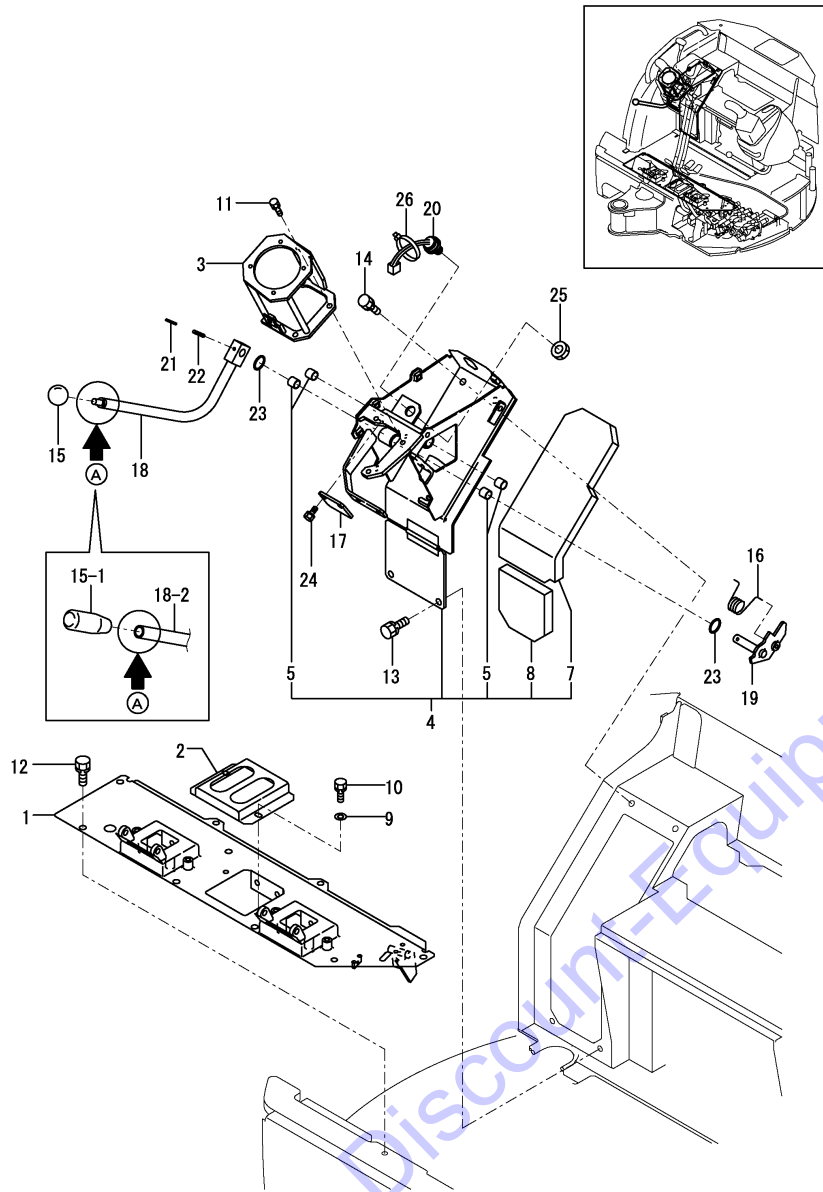
No.	Lev.	Parts No.	Description	Q'ty						I	R
				(A)	(B)	(C)	(D)	(E)	(F)		
1	1	172456-38100-1	SHOE ASSY, TRACK 250	1	1	1					
1-1	1	172456-38100-2	SHOE ASSY, TRACK 250	1	1	1					S
		(A=M/#32643) (B=M/#32643) (C=M/#32643)									
2	2	172421-38110	LINK, CRAWLER	1	1	1					
7	3	172173-38200	BUSH 22.15X43	44	44	44					
8	3	172173-38210	PIN(CRAWLER	43	43	43					
9	2	172456-38110-1	PLATE, SHOE	44	44	44					
9-1	2	172456-38110-2	PLATE, SHOE	44	44	44					S
		(A=M/#32643) (B=M/#32643) (C=M/#32643)									
10	2	172173-38220	PIN,MASTER	1	1	1					
11	2	172173-38300	PIN 4X22,LOCK	1	1	1					
12	1	172456-38120-1	SHOE ASSY, TRACK 250	1	1	1					
12-1	1	172456-38120-2	SHOE ASSY, TRACK 250	1	1	1					S
		(A=M/#32643) (B=M/#32643) (C=M/#32643)									
13	2	172421-38110	LINK, CRAWLER	1	1	1					
18	3	172173-38200	BUSH 22.15X43	44	44	44					
19	3	172173-38210	PIN(CRAWLER	43	43	43					
20	2	172456-38130-1	PLATE, SHOE	44	44	44					
20-1	2	172456-38130-2	PLATE, SHOE	44	44	44					S
		(A=M/#32643) (B=M/#32643) (C=M/#32643)									
21	2	172173-38220	PIN,MASTER	1	1	1					
22	2	172173-38300	PIN 4X22,LOCK	1	1	1					
23	1	172421-38601	CRAWLER, RUBBER	2	2	2					
24	1	172456-38300-1	TRACK ASSY, MASTER	1	1	1					1
24-1	1	172456-38300-2	TRACK ASSY, MASTER	1	1	1					S 1
		(A=M/#32643) (B=M/#32643) (C=M/#32643)									
29	1	172456-38310-1	TRACK ASSY, MASTER	1	1	1					1
29-1	1	172456-38310-2	TRACK ASSY, MASTER	1	1	1					S 1
		(A=M/#32643) (B=M/#32643) (C=M/#32643)									

Remarks
 (1)Repair Part

Fig.20. LOCK LEVER & STAND(RIGHT)

(A)=VIO20-3(US)
 (B)=VIO20-3(AS)
 (C)=VIO20-3(NZ)

(D)=
 (E)=
 (F)=

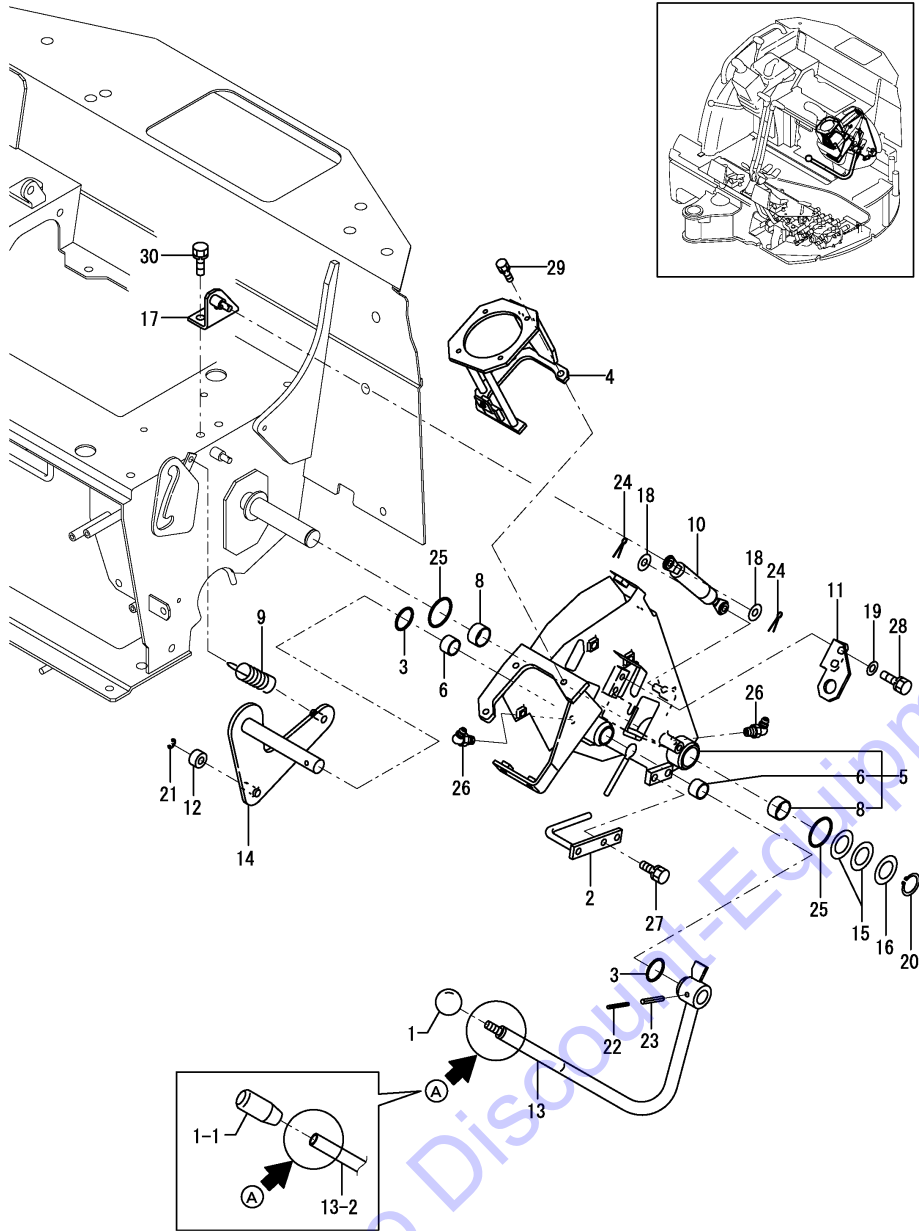


No.	Lev.	Parts No.	Description	Q'ty						I	R
				(A)	(B)	(C)	(D)	(E)	(F)		
1	1	172472-45400	STAND ASSY, LINK	1	1	1					
1-1	1	172472-45400-1	STAND ASSY, LINK	1	1	1					S
		(A=M/#32643) (B=M/#32643) (C=M/#32643)									
1-2	1	172472-45401	STAND ASSY, LINK	1	1	1					N
		(A=M45001) (B=M45001) (C=M45001)									
2	1	172458-45510	BRACKET, BOOM	1	1	1					
2-1	1	172458-45510-1	BRACKET, BOOT	1	1	1					S
		(A=M/#32643) (B=M/#32643) (C=M/#32643)									
3	1	172472-46210	BRACKET ASSY	1	1	1					
4	1	172A36-46800	STAND ASSY, LEVER	1	1	1					
4-1	1	172A36-46801	STAND ASSY, LEVER	1	1	1					N
		(A=M/#31760) (B=M/#31760) (C=M/#31760)									
4-2	1	172A36-46802	STAND ASSY, LEVER	1	1	1					N
		(A=M45001) (B=M45001) (C=M45001)									
5	2	172141-41360	BUSH	4	4	4					
7	2	172A23-46840	SPONGE	1	1	1					
8	2	172A23-46850	SPONGE	1	1	1					
9	1	22137-080000	WASHER, 8	2	2	2					
10	1	26013-080162	BOLT, M8X 16	2	2	2					
11	1	26013-080202	BOLT, M8X 20	3	3	3					
12	1	26013-100202	BOLT, M10X 20	6	6	6					
13	1	26013-100202	BOLT, M10X 20	2	2	2					
14	1	26013-100202	BOLT, M10X 20	3	3	3					
15	1	1D4070-23580	GRIP, ROUND 10	1	1	1					
15-1	1	172A77-46050	GRIP	1	1	1					S
		(A=M36315) (B=M36315) (C=M36315)									
16	1	172165-45970	SPRING	1	1	1					
17	1	172458-46950	PLATE	1	1	1					
18	1	172458-47680	LEVER, LOCK	1	1	1					
18-1	1	172458-47680-1	LEVER, LOCK	1	1	1					S
		(A=M/#32643) (B=M/#32643) (C=M/#32643)									
18-2	1	172458-47681	LOCK LEVER R(GRAY:72)	1	1	1					F 1
		(A=M36315) (B=M36315) (C=M36315)									
19	1	172458-47710	SHAFT ASSY	1	1	1					
20	1	194464-52190	SWITCH, START	1	1	1					
21	1	22351-030032	PIN, SPRING 3.0X32	1	1	1					
22	1	22351-050032	PIN, SPRING 5.0X32	1	1	1					
23	1	24311-000210	O-RING, 1AP21.0	2	2	2					
24	1	26013-080162	BOLT, M8X 16	2	2	2					
25	1	26776-180002	NUT, LOCK M18	1	1	1					
26	1	194202-56460	BAND, 200	1	1	1					W
		(A=M39172) (B=M39172) (C=M39172)									

Remarks

(1)A=No.18 : M10 screw, No.18-1 : no screw.
 Interchangeable by simultaneous replacement with No.15-1.

Fig.21. LOCK LEVER & STAND(LEFT)



(A)=VIO20-3(US)
(B)=VIO20-3(AS)
(C)=VIO20-3(NZ)

(D)=
(E)=
(F)=

No.	Lev.	Parts No.	Description	Q'ty						I	R
				(A)	(B)	(C)	(D)	(E)	(F)		
1	1	1D4070-23580	GRIP, ROUND 10	1	1	1					
1-1	1	172A77-46050	GRIP	1	1	1					S
		(A=M36315) (B=M36315) (C=M36315)									
2	1	172458-45850	GUIDE, HOSE	1	1	1					
3	1	172124-46200	O-RING	2	2	2					
4	1	172472-46220	BRACKET ASSY	1	1	1					
5	1	172472-46600	STAND, LEVER	1	1	1					
6	2	172141-41370	BUSH	2	2	2					
8	2	24550-025150	BUSH, 25X15	2	2	2					
9	1	172162-46690	SPRING	1	1	1					
10	1	172455-46890	SPRING, GAS	1	1	1					
11	1	172455-46950	BRACKET, SWITCH	1	1	1					
12	1	172165-47550	BUSH	1	1	1					
13	1	172472-47620	LEVER, LOCK	1	1	1					
13-1	1	172472-47620-1	LOCK LEVER L-US (49)	1	1	1					S
		(A=M/#32643) (B=M/#32643) (C=M/#32643)									
13-2	1	172472-47621	LOCK LEVER ASSY,L-US	1	1	1					F 1
		(A=M36315) (B=M36315) (C=M36315)									
14	1	172458-47640	ROD ASSY, SPRING	1	1	1					
15	1	172165-47980	SHIM	2	2	2					
16	1	172165-47990	WASHER	1	1	1					
17	1	172472-64600	BRACKET, DAMPER	1	1	1					
18	1	22137-080000	WASHER, 8	2	2	2					
19	1	22137-080000	WASHER, 8	2	2	2					
20	1	22242-000250	RING, 25	1	1	1					
21	1	22272-000070	RING, E- 7	1	1	1					
22	1	22351-035040	PIN, SPRING 3.5X40	1	1	1					
23	1	22351-060040	PIN, SPRING 6.0X40	1	1	1					
24	1	22417-200200	PIN, COTTER 2.0X20	2	2	2					
25	1	24311-000340	O-RING, 1AP34.0	2	2	2					
26	1	24761-050000	NIPPLE, GREASE C	2	2	2					
27	1	26013-080162	BOLT, M8X 16	2	2	2					
28	1	26013-080202	BOLT, M8X 20	2	2	2					
29	1	26013-080202	BOLT, M8X 20	3	3	3					
30	1	26013-100202	BOLT, M10X 20	2	2	2					

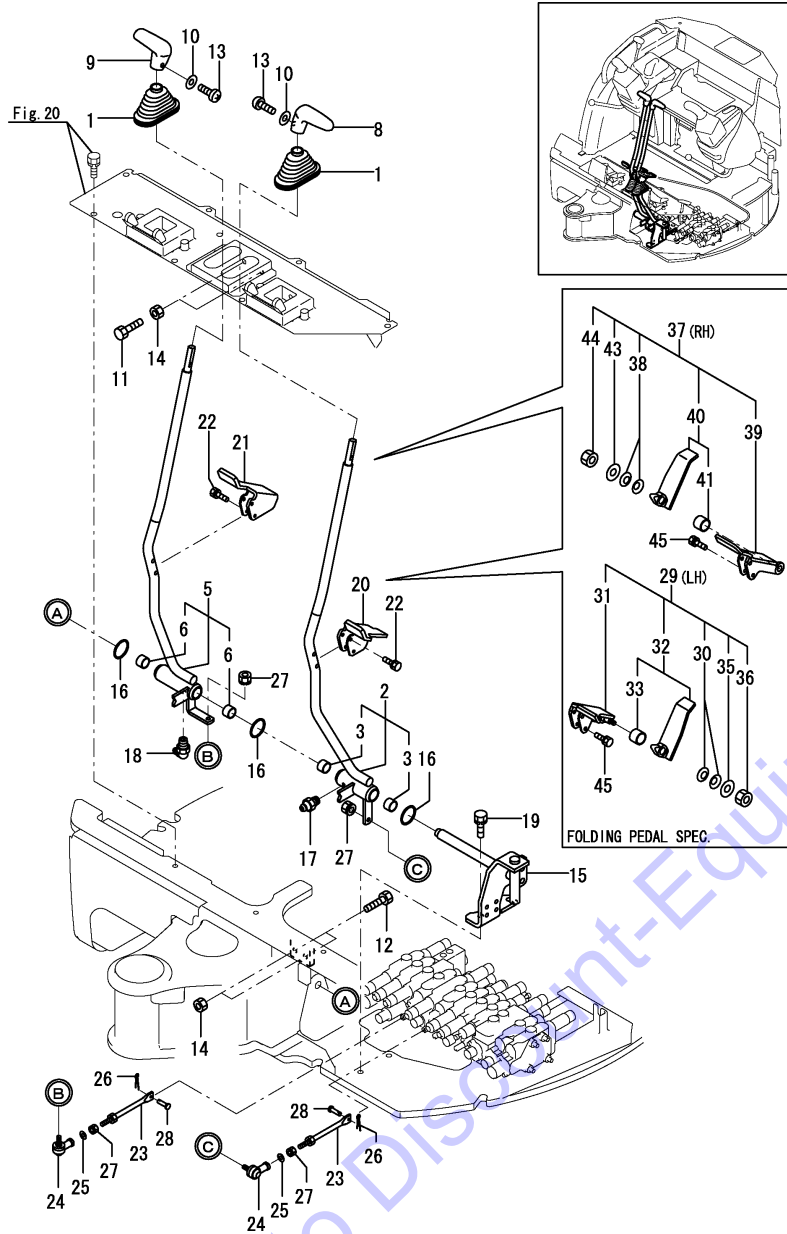
Remarks

(1)A=No.13, 13-1 : M10 screw, No.13-2 : no screw.
Interchangeable by simultaneous replacement with No.1-1.

Fig.22. TRAVEL LEVER

(A)=VIO20-3(US)
(B)=VIO20-3(AS)
(C)=VIO20-3(NZ)

(D)=
(E)=
(F)=



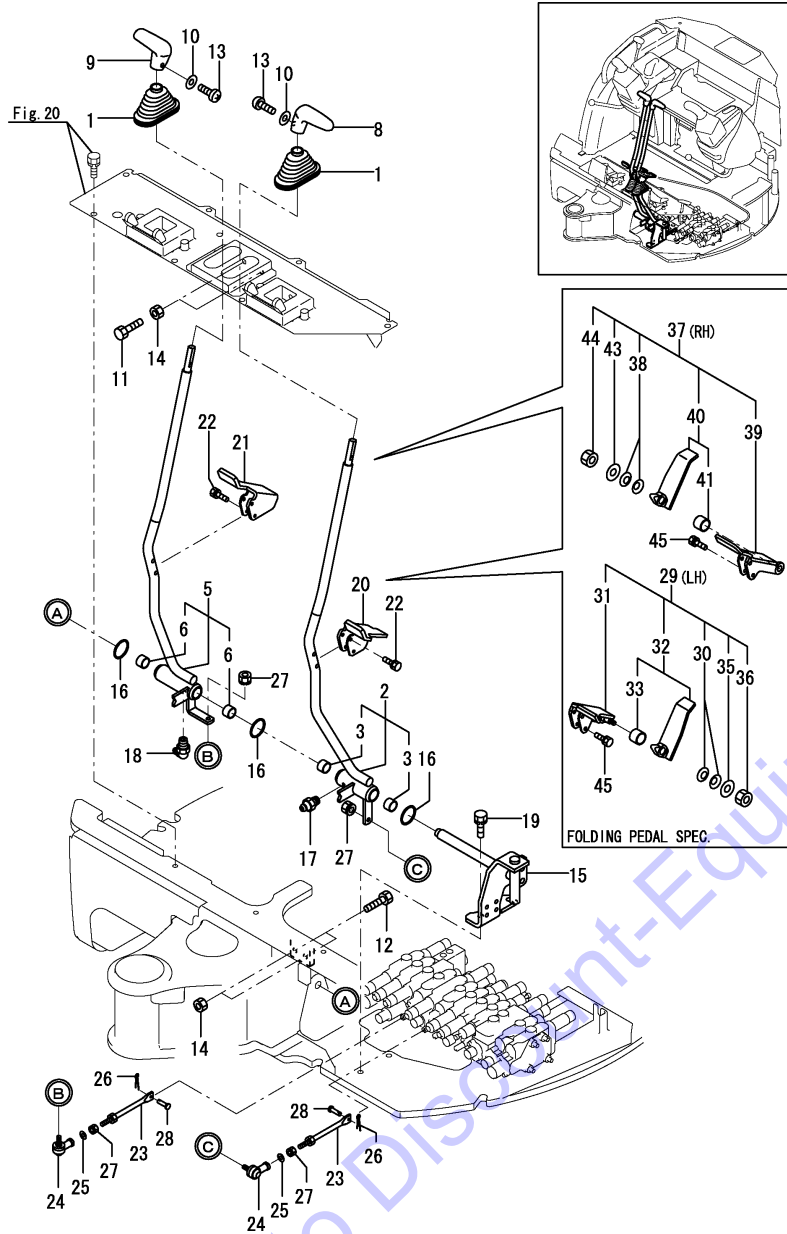
No.	Lev.	Parts No.	Description	Q'ty						I	R
				(A)	(B)	(C)	(D)	(E)	(F)		
1	1	172141-41340	BOOT	2	2	2					
2	1	172469-45100	LEVER, TRACK	1	1	1					
2-1	1	172469-45100-1	LEVER, TRACK	1	1	1					S
3	2	172141-41370	BUSH	2	2	2					
5	1	172469-45140	LEVER, TRACK	1	1	1					
5-1	1	172469-45140-1	LEVER, TRACK	1	1	1					S
6	2	172141-41370	BUSH	2	2	2					
8	1	172187-45870	GRIP, DRIVE	1	1	1					
9	1	172187-45880	GRIP, DRIVE	1	1	1					
10	1	22117-040000	WASHER, 4	2	2	2					
11	1	26116-100404	BOLT, M10X 40 PLATED	2	2	2					
12	1	26116-100604	BOLT, M10X 60 PLATED	2	2	2					
13	1	26587-040122	SCREW, M4X12	2	2	2					
14	1	26716-100002	NUT, M10	4	4	4					
15	1	172472-45661	BRACKET ASSY, TRUCK	1	1	1					
16	1	172124-46200	O-RING	3	3	3					
17	1	24761-020000	NIPPLE, GREASE PT1/8	1	1	1					
18	1	24761-050000	NIPPLE, GREASE C	1	1	1					
19	1	26013-100252	BOLT, M10X 25	2	2	2					
20	1	172472-45600	PEDAL, TRUCK	1	1	1					1
20-1	1	172472-45600-1	PEDAL L, TRACK F (49)	1	1	1					S 1
21	1	172472-45620	PEDAL, TRUCK	1	1	1					1
21-1	1	172472-45620-1	PEDAL R, TRACK F (49)	1	1	1					S 1
22	1	26013-060352	BOLT, M6X 35	4	4	4					
23	1	172458-45250	ROD ASSY	2	2	2					
24	1	172122-46590	ELBOW	2	2	2					
25	1	22117-080000	WASHER, 8	2	2	2					
26	1	22417-160160	PIN, COTTER 1.6X16	2	2	2					
27	1	26051-080002	NUT, M8	4	4	4					
28	1	933110-54100	PIN	2	2	2					
29	1	172472-45601	PEDAL, TRUCK	1	1	1					W 2
29-1	1	172472-45601-1	PEDAL, TRACK	1	1	1					S 2
30	2	172068-28490	SPRING	2	2	2					
31	2	172472-45720	PEDAL ASSY, TRUCK	1	1	1					
32	2	172472-45810	PEDAL ASSY, TRUCK	1	1	1					
32-1	2	172472-45810-1	PEDAL ASSY, TRUCK	1	1	1					S
33	3	172110-45050	BUSH	1	1	1					
35	2	22137-080000	WASHER, 8	1	1	1					
36	2	26347-080002	NUT, M8	1	1	1					
37	1	172472-45621	PEDAL, TRUCK	1	1	1					W 2
37-1	1	172472-45621-1	PEDAL, TRACK	1	1	1					S 2
38	2	172068-28490	SPRING	2	2	2					

Remarks
(1) Interchangeable by simultaneous replacement with No.29, 37 & 45.
(2) Folding pedal specification.

Fig.22. TRAVEL LEVER

(A)=VIO20-3(US)
 (B)=VIO20-3(AS)
 (C)=VIO20-3(NZ)

(D)=
 (E)=
 (F)=



No.	Lev.	Parts No.	Description	Q'ty						I	R
				(A)	(B)	(C)	(D)	(E)	(F)		
39	2	172472-45730	PEDAL ASSY, TRUCK	1	1	1					
40	2	172472-45850	PEDAL ASSY, TRUCK	1	1	1					
40-1	2	172472-45850-1	PEDAL ASSY, TRUCK	1	1	1					S
		(A=M/#32643) (B=M/#32643) (C=M/#32643)									
41	3	172110-45050	BUSH	1	1	1					
43	2	22137-080000	WASHER, 8	1	1	1					
44	2	26347-080002	NUT, M8	1	1	1					
45	1	26013-060302	BOLT, M6X 30	4	4	4					

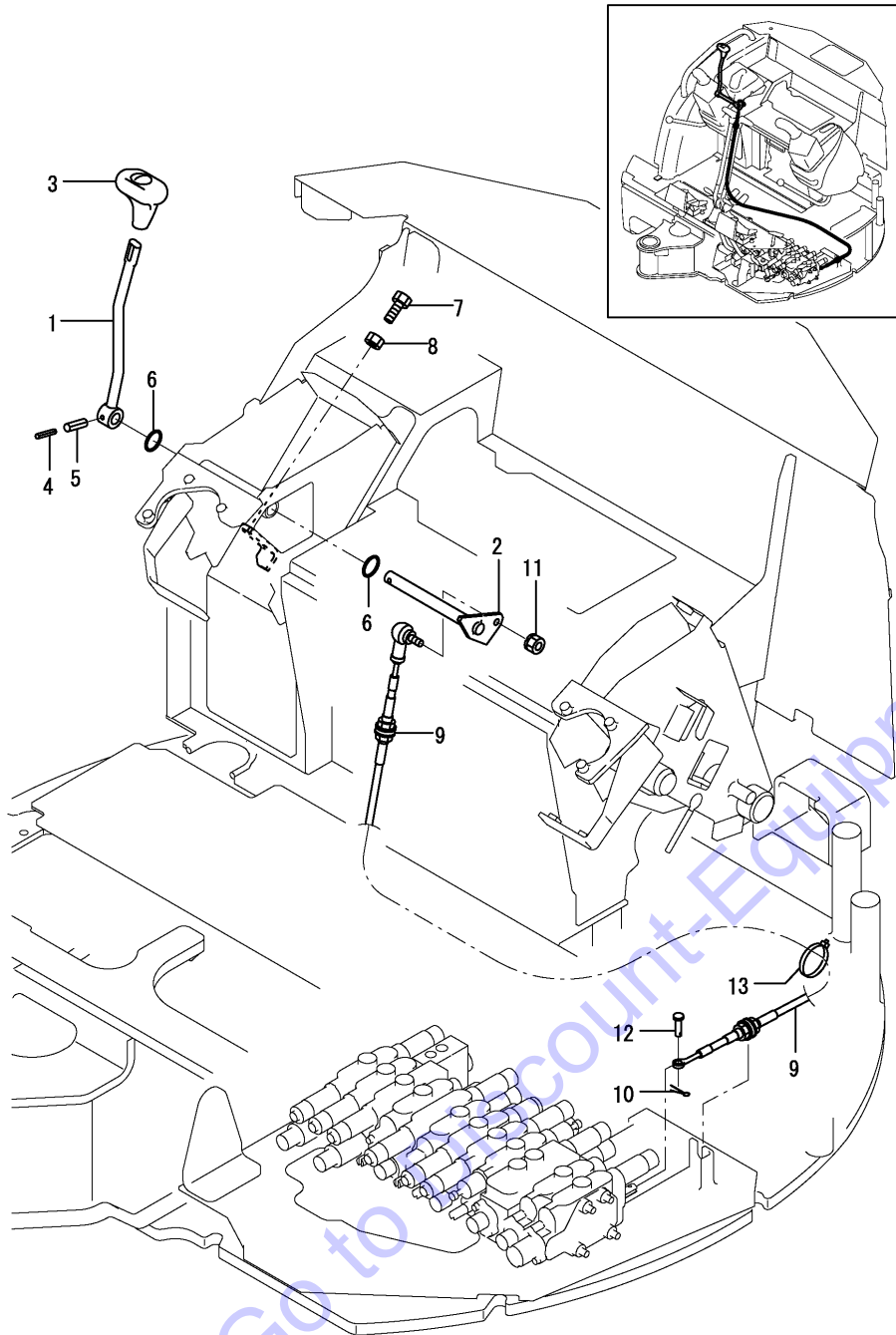
Remarks

- (1) Interchangeable by simultaneous replacement with No.29, 37 & 45.
- (2) Folding pedal specification.

Fig.23. BLADE LEVER

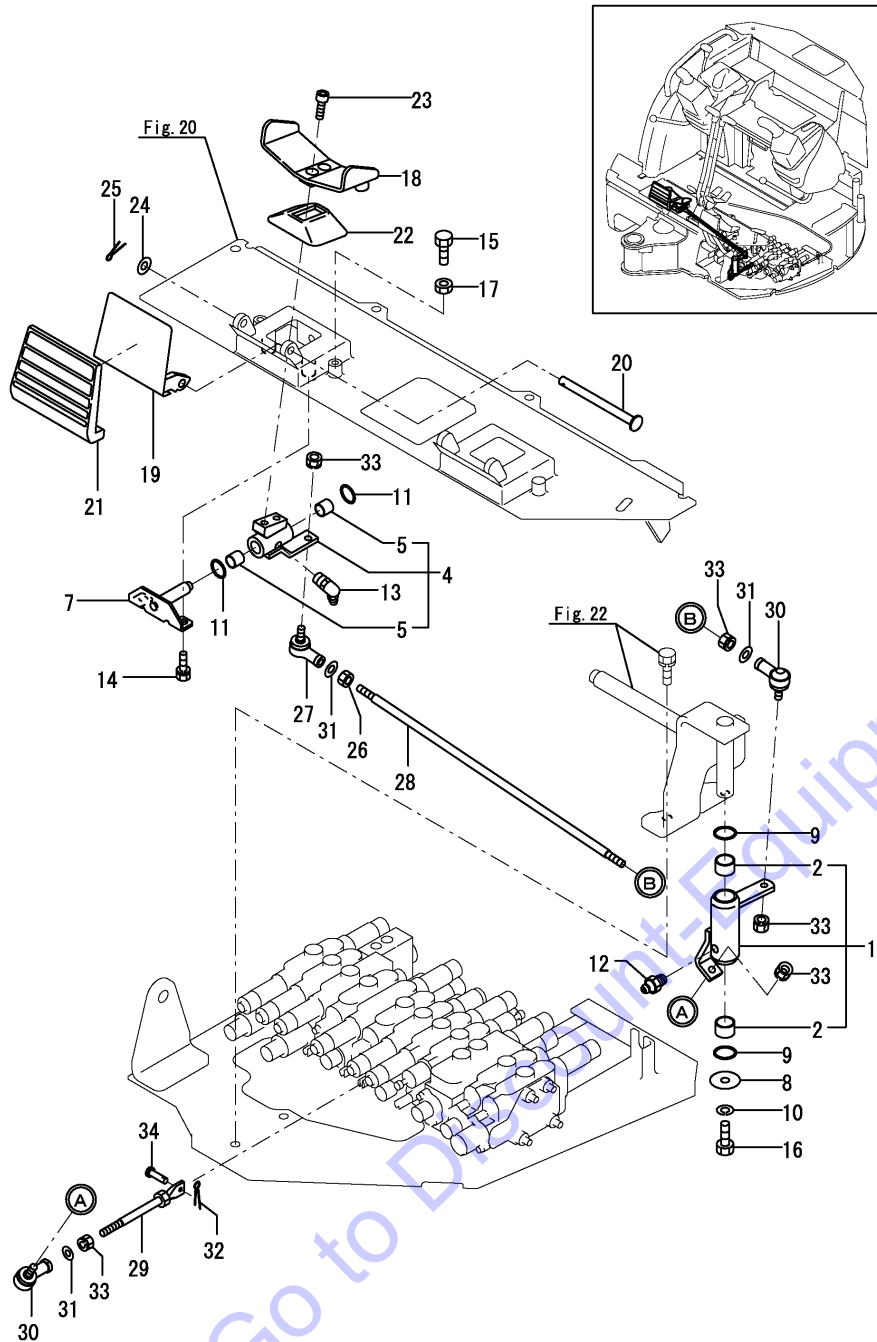
(A)=VIO20-3(US)
 (B)=VIO20-3(AS)
 (C)=VIO20-3(NZ)

(D)=
 (E)=
 (F)=



No.	Lev.	Parts No.	Description	Q'ty						I	R
				(A)	(B)	(C)	(D)	(E)	(F)		
1	1	172472-45700	LEVER, BLADE	1	1	1					
1-1	1	172472-45700-1	LEVER, BLADE (GRAY:49)	1	1	1					S
		(A=M/#32643) (B=M/#32643) (C=M/#32643)									
2	1	172458-45720	SHAFT ASSY	1	1	1					
2-1	1	172458-45720-1	SHAFT ASSY	1	1	1					S
		(A=M/#32643) (B=M/#32643) (C=M/#32643)									
3	1	172164-45970	GRIP, BLADE	1	1	1					
4	1	22351-030032	PIN, SPRING 3.0X32	1	1	1					
5	1	22351-050032	PIN, SPRING 5.0X32	1	1	1					
6	1	24311-000210	O-RING, 1AP21.0	2	2	2					
7	1	26116-080254	BOLT, M8X 25 PLATED	2	2	2					
8	1	26716-080002	NUT, M8	2	2	2					
9	1	172458-45800	CABLE, BLADE	1	1	1					
10	1	22417-160160	PIN, COTTER 1.6X16	1	1	1					
11	1	26051-080002	NUT, M8	1	1	1					
12	1	933110-54100	PIN	1	1	1					
13	1	933168-55770	BAND	1	1	1					

Fig.24. SWING PEDAL

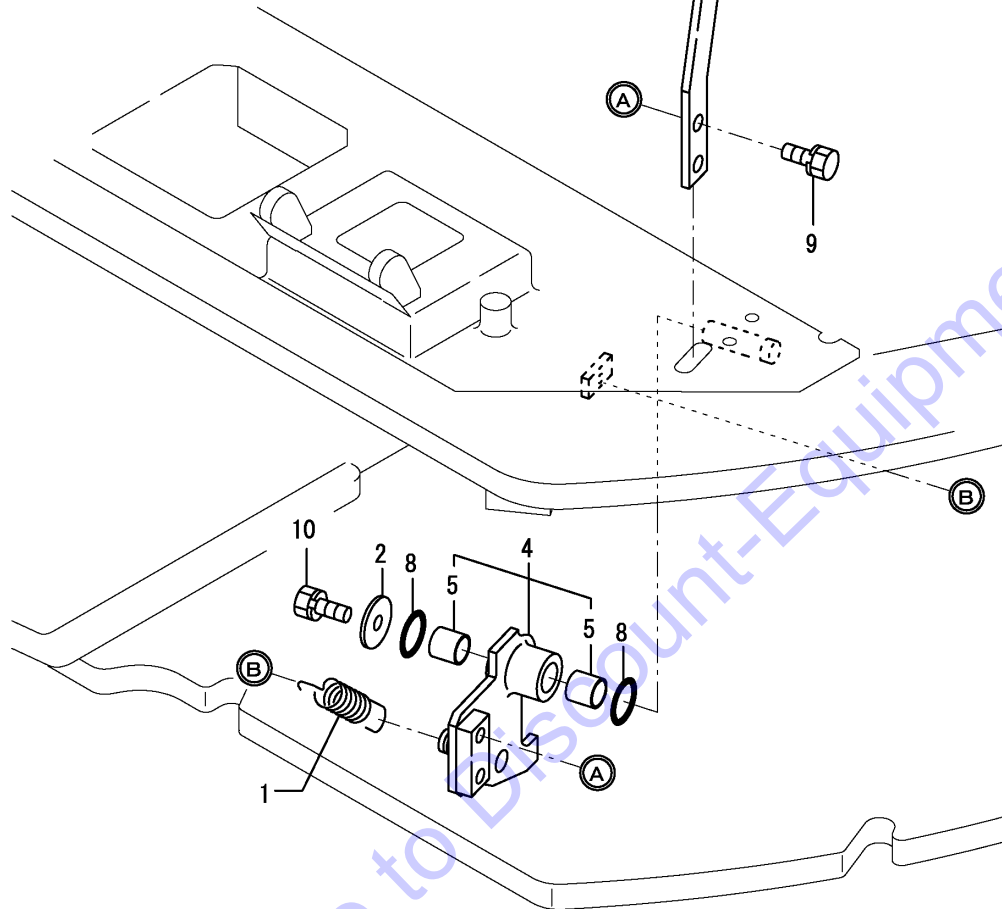
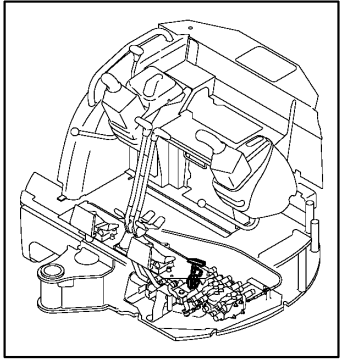


(A)=VIO20-3(US)
 (B)=VIO20-3(AS)
 (C)=VIO20-3(NZ)

(D)=
 (E)=
 (F)=

No.	Lev.	Parts No.	Description	Q'ty						I	R
				(A)	(B)	(C)	(D)	(E)	(F)		
1	1	172458-45180	LINK, SWING	1	1	1					
1-1	1	172458-45180-1	LINK, SWING	1	1	1					S
		(A=M/#32643) (B=M/#32643) (C=M/#32643)									
2	2	172141-41370	BUSH	2	2	2					
4	1	172458-45200	LINK, PEDAL	1	1	1					
4-1	1	172458-45200-1	LINK, PEDAL	1	1	1					S
		(A=M/#32643) (B=M/#32643) (C=M/#32643)									
5	2	172141-41360	BUSH	2	2	2					
7	1	172458-45230	SHAFT, PEDAL	1	1	1					
7-1	1	172458-45230-1	SHAFT, PEDAL	1	1	1					S
		(A=M/#32643) (B=M/#32643) (C=M/#32643)									
8	1	1A1040-45890	WASHER, 10X36X4.5	1	1	1					
9	1	172124-46200	O-RING	2	2	2					
10	1	22217-100000	WASHER, SPRING 10	1	1	1					
11	1	24311-000210	O-RING, 1AP21.0	2	2	2					
12	1	24761-020000	NIPPLE, GREASE PT1/8	1	1	1					
13	1	24761-040000	NIPPLE, GREASE B	1	1	1					
14	1	26013-080162	BOLT, M8X 16	2	2	2					
15	1	26116-080254	BOLT, M8X 25 PLATED	2	2	2					
16	1	26116-100202	BOLT, M10X 20 PLATED	1	1	1					
17	1	26716-080002	NUT, M8	2	2	2					
18	1	172458-45521	PEDAL, SWING	1	1	1					
18-1	1	172458-45521-1	PEDAL, SWING	1	1	1					S
		(A=M/#32643) (B=M/#32643) (C=M/#32643)									
19	1	172458-45540	COVER, PEDAL	1	1	1					
19-1	1	172458-45540-1	COVER, PEDAL	1	1	1					S
		(A=M/#32643) (B=M/#32643) (C=M/#32643)									
20	1	172187-45651	SHAFT	1	1	1					
21	1	172187-45760	PAD	1	1	1					
22	1	172157-45990	BOOT, PEDAL	1	1	1					
23	1	172165-46340	BOLT	2	2	2					
24	1	22137-100000	WASHER, 10	1	1	1					
25	1	22417-250200	PIN, COTTER 2.5X20	1	1	1					
26	1	194200-37780	NUT, M8	1	1	1					
27	1	172734-41300	JOINT, BALL	1	1	1					
27-1	1	1E6740-64200	BALL, LINK BL8DL	1	1	1					R
		(A=M35718) (B=M35718) (C=M35718)									
28	1	172456-45160	LOD, SWING	1	1	1					
29	1	172823-45940	ROD ASSY	1	1	1					
30	1	172122-46590	ELBOW	2	2	2					
31	1	22117-080000	WASHER, 8	3	3	3					
32	1	22417-160160	PIN, COTTER 1.6X16	1	1	1					
33	1	26051-080002	NUT, M8	5	5	5					
34	1	933110-54100	PIN	1	1	1					

Fig.25. LOW-HIGH PEDAL

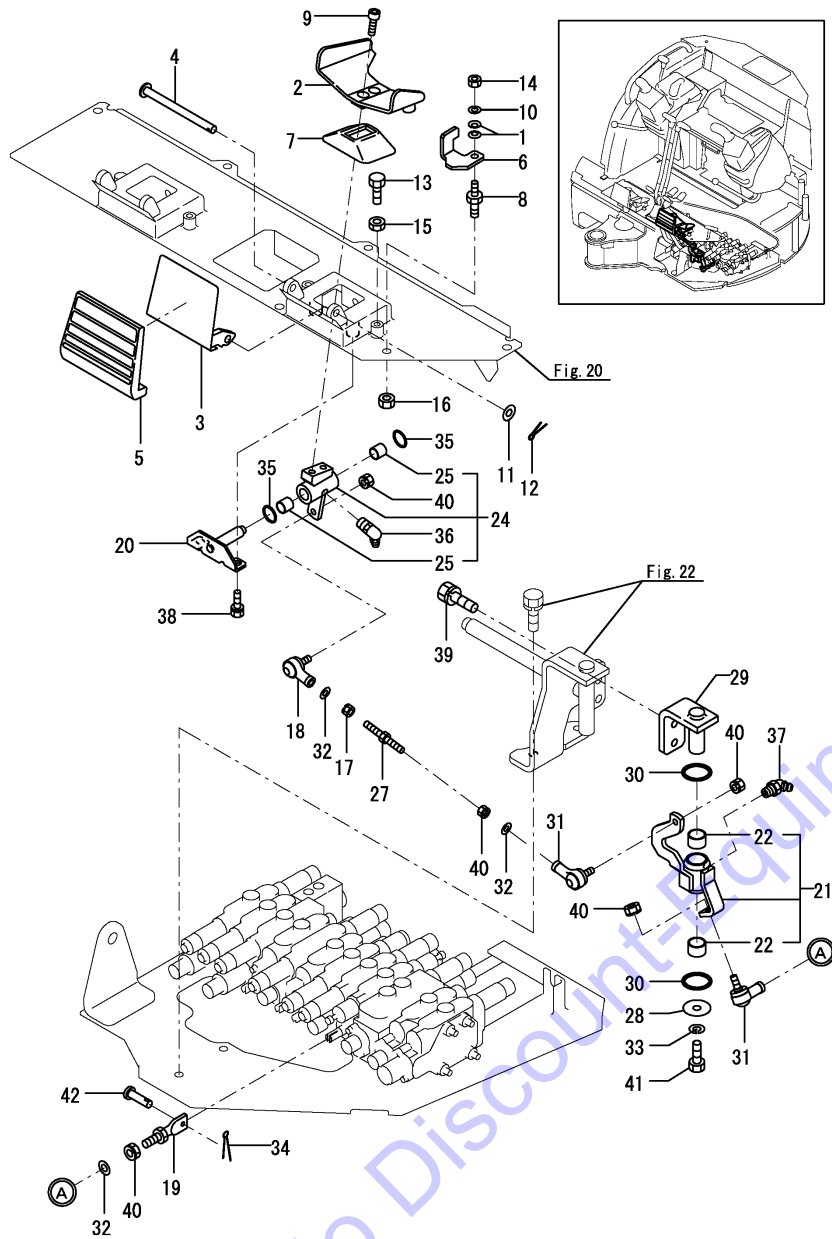


(A)=VIO20-3(US)
 (B)=VIO20-3(AS)
 (C)=VIO20-3(NZ)

(D)=
 (E)=
 (F)=

No.	Lev.	Parts No.	Description	Q'ty						I	R
				(A)	(B)	(C)	(D)	(E)	(F)		
1	1	172162-12480	SPRING, RETURN	1	1	1					
2	1	1A1040-43900	WASHER, SPRING	1	1	1					
3	1	172487-45900	PEDAL, LO-HIGH	1	1	1					
3-1	1	172487-45900-1	PEDAL, LO-HIGH (A=M/#32643) (B=M/#32643) (C=M/#32643)	1	1	1					S
4	1	172458-45920	BRACKET, PEDAL	1	1	1					
4-1	1	172458-45920-1	BRACKET, PEDAL (A=M/#32643) (B=M/#32643) (C=M/#32643)	1	1	1					S
5	2	172141-41360	BUSH	2	2	2					
7	1	172458-45950	PAD, PEDAL	1	1	1					
8	1	24311-000210	O-RING, 1AP21.0	2	2	2					
9	1	26013-080162	BOLT, M8X 16	2	2	2					
10	1	26013-080202	BOLT, M8X 20	1	1	1					

Fig.26. P.T.O. PEDAL



(A)=VIO20-3(US)
 (B)=VIO20-3(AS)
 (C)=VIO20-3(NZ)

(D)=
 (E)=
 (F)=

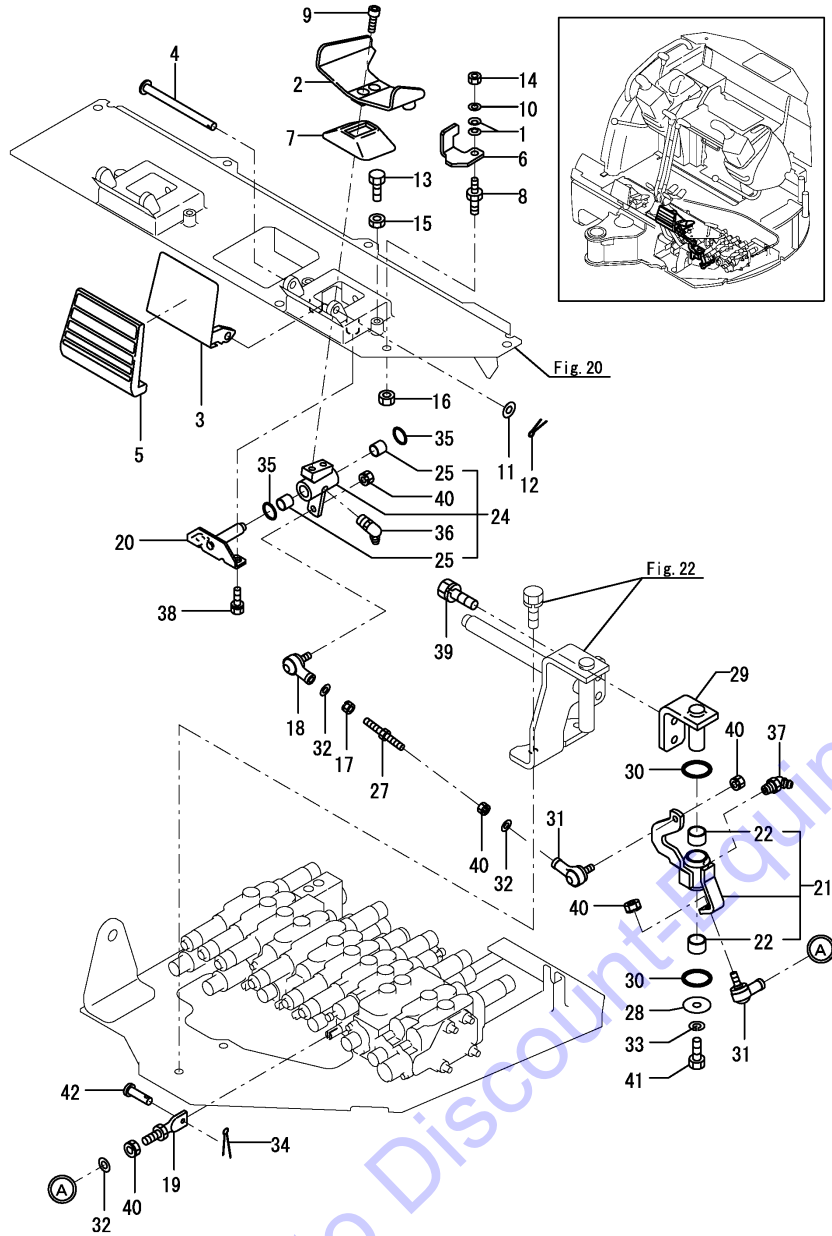
No.	Lev.	Parts No.	Description	Q'ty						I	R
				(A)	(B)	(C)	(D)	(E)	(F)		
1	1	172068-28490	SPRING	2	2	2					
2	1	172472-45500	PEDAL, PTO	1	1	1					
2-1	1	172472-45500-1	PEDAL,P.T.O(GRAY:49)	1	1	1					S
		(A=M/#32643) (B=M/#32643) (C=M/#32643)									
3	1	172458-45540	COVER, PEDAL	1	1	1					
3-1	1	172458-45540-1	COVER, PEDAL	1	1	1					S
		(A=M/#32643) (B=M/#32643) (C=M/#32643)									
4	1	172187-45651	SHAFT	1	1	1					
5	1	172187-45760	PAD	1	1	1					
6	1	172448-45800-1	PLATE, LOCK	1	1	1					1
6-1	1	172448-45800-3	PLATE, PTO LOCK	1	1	1					S 1
		(A=M/#32643) (B=M/#32643) (C=M/#32643)									
6A	1	172458-03240	LABEL, LOCK	1	1	1					2
7	1	172157-45990	BOOT, PEDAL	1	1	1					
8	1	172462-46230	BOLT	1	1	1					
9	1	172165-46340	BOLT	2	2	2					
10	1	22137-080000	WASHER, 8	1	1	1					
11	1	22137-100000	WASHER, 10	1	1	1					
12	1	22417-250200	PIN, COTTER 2.5X20	1	1	1					
13	1	26116-080254	BOLT, M8X 25 PLATED	2	2	2					
14	1	26347-080002	NUT, M8	1	1	1					
15	1	26716-080002	NUT, M8	2	2	2					
16	1	26757-100002	NUT, LOCK M10	1	1	1					
17	1	194200-37780	NUT, M8	1	1	1					
18	1	172734-41300	JOINT, BALL	1	1	1					
18-1	1	1E6740-64200	BALL, LINK BL8DL	1	1	1					R
		(A=M35718) (B=M35718) (C=M35718)									
19	1	172823-45000	ROD, SPOOL	1	1	1					
20	1	172458-45230	SHAFT, PEDAL	1	1	1					
20-1	1	172458-45230-1	SHAFT, PEDAL	1	1	1					S
		(A=M/#32643) (B=M/#32643) (C=M/#32643)									
21	1	172472-45300	LINK, PTO	1	1	1					
21-1	1	172472-45300-1	LINK ASSY, PTO	1	1	1					S
		(A=M/#32643) (B=M/#32643) (C=M/#32643)									
22	2	172141-41370	BUSH	2	2	2					
24	1	172472-45330	LINK ASSY, PTO	1	1	1					
25	2	172141-41370	BUSH	2	2	2					
27	1	172469-45360	ROD 77	1	1	1					
28	1	1A1040-45890	WASHER, 10X36X4.5	1	1	1					
29	1	172458-46150	BRACKET, PTO	1	1	1					
29-1	1	172458-46150-1	BRACKET, PTO	1	1	1					S
		(A=M/#32643) (B=M/#32643) (C=M/#32643)									
30	1	172124-46200	O-RING	2	2	2					
31	1	172122-46590	ELBOW	2	2	2					
32	1	22117-080000	WASHER, 8	3	3	3					
33	1	22217-100000	WASHER, SPRING 10	1	1	1					
34	1	22417-160160	PIN, COTTER 1.6X16	1	1	1					
35	1	24311-000210	O-RING, 1AP21.0	2	2	2					
36	1	24761-040000	NIPPLE, GREASE B	1	1	1					
37	1	24761-050000	NIPPLE, GREASE C	1	1	1					
38	1	26013-080162	BOLT, M8X 16	2	2	2					

Remarks
 (1) Attach the No.6A label to this part.
 (2) Label is not illustrated.

Fig.26. P.T.O. PEDAL

(A)=VIO20-3(US)
 (B)=VIO20-3(AS)
 (C)=VIO20-3(NZ)

(D)=
 (E)=
 (F)=



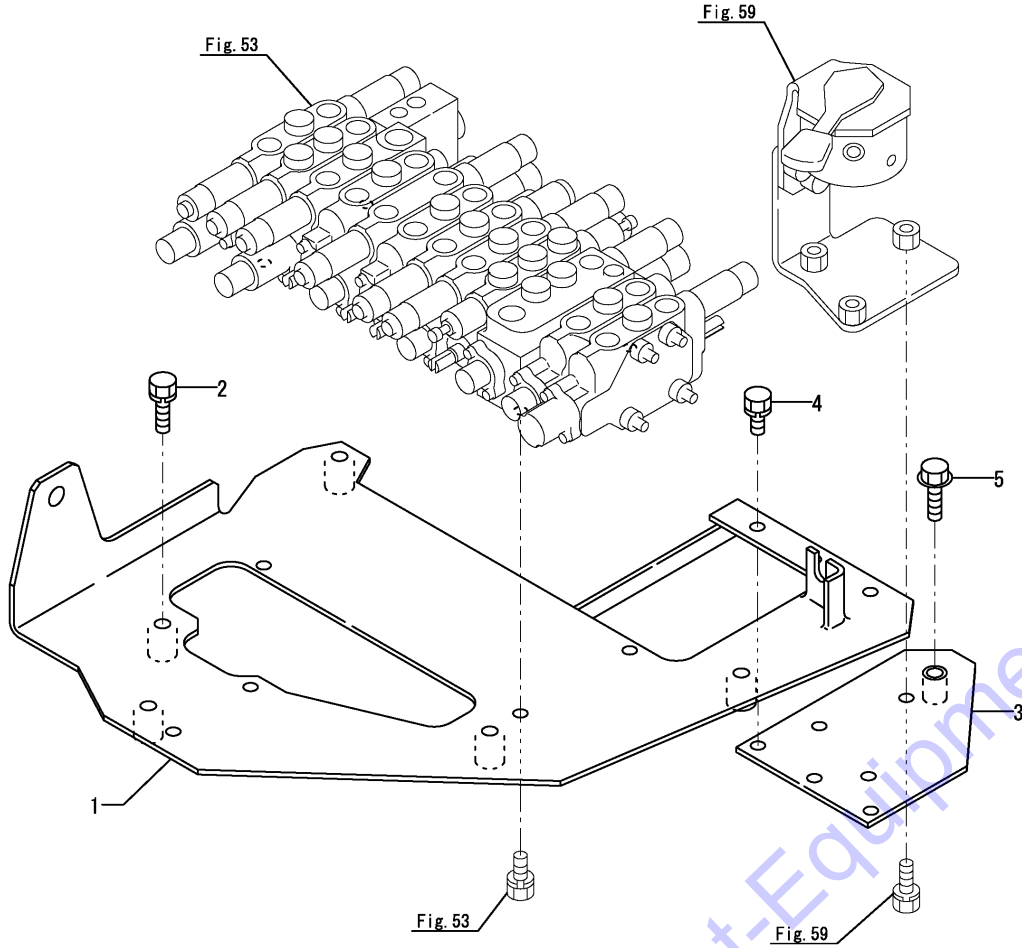
No.	Lev.	Parts No.	Description	Q'ty						I	R
				(A)	(B)	(C)	(D)	(E)	(F)		
39	1	26013-100202	BOLT, M10X 20	2	2	2					
40	1	26051-080002	NUT, M8	5	5	5					
41	1	26116-100202	BOLT, M10X 20 PLATED	1	1	1					
42	1	933110-54100	PIN	1	1	1					

Remarks
 (1) Attach the No.6A label to this part.
 (2) Label is not illustrated.

Fig.27. CONTROL VALVE PLATE

(A)=VIO20-3(US)
 (B)=VIO20-3(AS)
 (C)=VIO20-3(NZ)

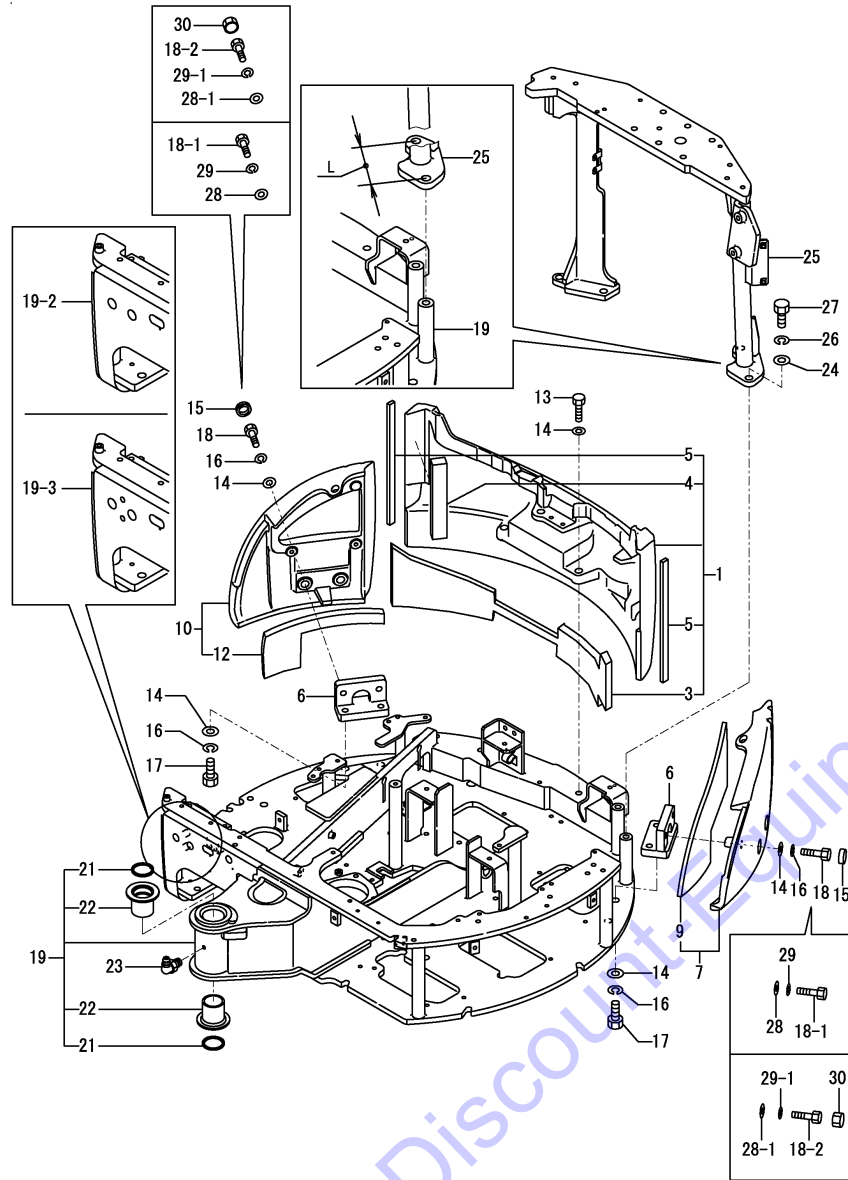
(D)=
 (E)=
 (F)=



No.	Lev.	Parts No.	Description	Q'ty						I	R
				(A)	(B)	(C)	(D)	(E)	(F)		
1	1	172487-45600	PLATE, VALVE	1	1	1					
1-1	1	172487-45600-1	PLATE, VALVE	1	1	1					S
		(A=M/#32643) (B=M/#32643) (C=M/#32643)									
2	1	26013-100402	BOLT, M10X 40	5	5	5					
3	1	172487-74200	BRACKET,MULTI	1	1	1					
4	1	26013-100202	BOLT, M10X 20	3	3	3					
5	1	26013-100352	BOLT, M10X 35	1	1	1					

Go to Discount-Equipment.com to order your parts

Fig.28. TURNING FRAME



(A)=VIO20-3(US)
(B)=VIO20-3(AS)
(C)=VIO20-3(NZ)

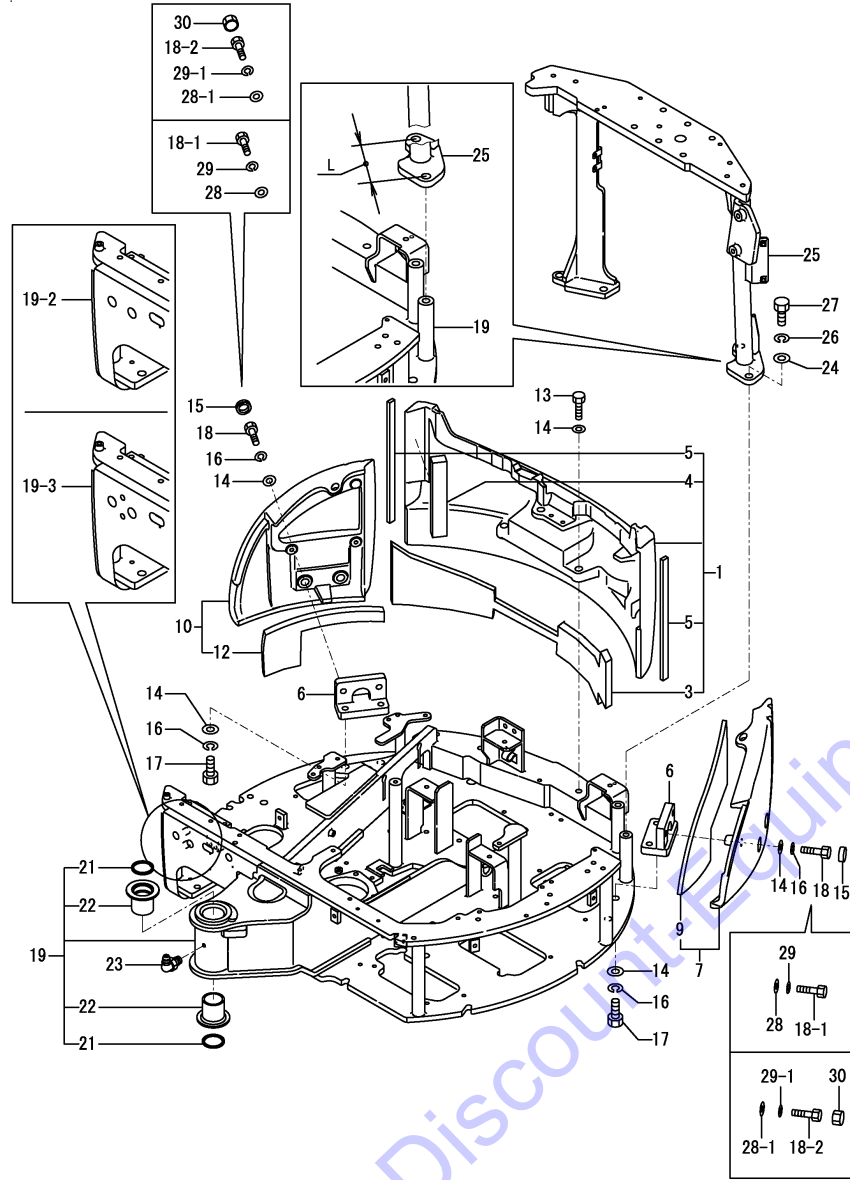
(D)=
(E)=
(F)=

No.	Lev.	Parts No.	Description	Q'ty						I	R
				(A)	(B)	(C)	(D)	(E)	(F)		
1	1	172487-53300-1	WEIGHT, COUNTER	1	1	1					
1-1	1	172487-53300-2	WEIGHT, COUNTER	1	1	1					S
		(A=M/#32643) (B=M/#32643) (C=M/#32643)									
3	2	172487-53320	SEAL A	1	1	1					
4	2	172487-53330	SEAL	1	1	1					
5	2	172458-53370	SEAL, COUNTER	2	2	2					
6	1	172458-53330	BRACKET ASSY	2	2	2					
7	1	172487-53350-1	WEIGHT	1	1	1					
7-1	1	172487-53350-2	WEIGHT	1	1	1					S
		(A=M/#32643) (B=M/#32643) (C=M/#32643)									
9	2	172487-53370	SEAL C	1	1	1					
10	1	172487-53400-1	WEIGHT ASSY	1	1	1					
10-1	1	172487-53400-2	WEIGHT ASSY	1	1	1					S
		(A=M/#32643) (B=M/#32643) (C=M/#32643)									
12	2	172487-53420	SEAL D	1	1	1					
13	1	172165-53480	BOLT	2	2	2					
14	1	172165-53500	WASHER	10	10	10					
14-1	1	172165-53500	WASHER	6	6	6					K
		(A=M46206) (B=M46206) (C=M46206)									
15	1	172456-53700	GROMMET	4	4	4					Z
		(A=M46206) (B=M46206) (C=M46206)									
16	1	22217-160000	WASHER, SPRING 16	8	8	8					
16-1	1	22217-160000	WASHER, SPRING 16	4	4	4					K
		(A=M46206) (B=M46206) (C=M46206)									
17	1	26116-160452	BOLT, M16X 45 PLATED	4	4	4					
18	1	26116-160652	BOLT, M16X 65 PLATED	4	4	4					
18-1	1	172A23-53250	BOLT, M16X65	4	4	4					N
		(A=M46206) (B=M46206) (C=M46206)									
18-2	1	26116-160652	BOLT, M16X 65 PLATED	4	4	4					S
		(A=*2015.01) (B=*2015.01) (C=*2015.01)									
19	1	172A23-54100-1	FRAME ASSY, TURNING	1	1	1					1
19-1	1	172A23-54100-2	FRAME ASSY, TURNING	1	1	1					S 1
		(A=M/#32643) (B=M/#32643) (C=M/#32643)									
19-2	1	172A23-54101	FRAME ASSY,TURNING	1	1	1					S 4
		(A=M36240) (B=M36240) (C=M36240)									
19-3	1	172A23-54102	FRAME ASSY,TURNING	1	1	1					S 1
		(A=M45001) (B=M45001) (C=M45001)									
19-4	1	172A23-54103	FRAME ASSY,TURNING	1	1	1					N 1
		(A=M45019) (B=M45019) (C=M45019)									
20A	1	172157-03740	LABEL	1	1	1					3
20A-1	1	172157-03741	LABEL, GREASE US	1	1	1					N 3
		(A=M/#31399) (B=M/#31399) (C=M/#31399)									
21	2	172448-54120	SEAL, DUST	2	2	2					
22	2	172171-54750	BUSH 50X65	2	2	2					
23	1	24761-040000	NIPPLE, GREASE B	1	1	1					
24	1	172165-53500	WASHER	4	4	4					
25	1	172A23-67210	MOUNT, CANOPY	1	1	1					2
25-1	1	172A23-67210-1	MOUNT, CANOPY	1	1	1					S
		(A=M/#32643) (B=M/#32643) (C=M/#32643)									
25-2	1	172A23-67211-1	MOUNT,CANOPY (49)	1	1	1					S 4
		(A=M36240) (B=M36240) (C=M36240)									

Remarks

- (1) Attach the No.20A label to this part.
- (2) Attach the No.25A label to this part.
- (3) Label is not illustrated.
- (4) L=No.19, 19-1, 25, 25-1 : 143.45mm, No.19-2, 25-2 : 135.23mm

Fig.28. TURNING FRAME



(A)=VIO20-3(US)
 (B)=VIO20-3(AS)
 (C)=VIO20-3(NZ)

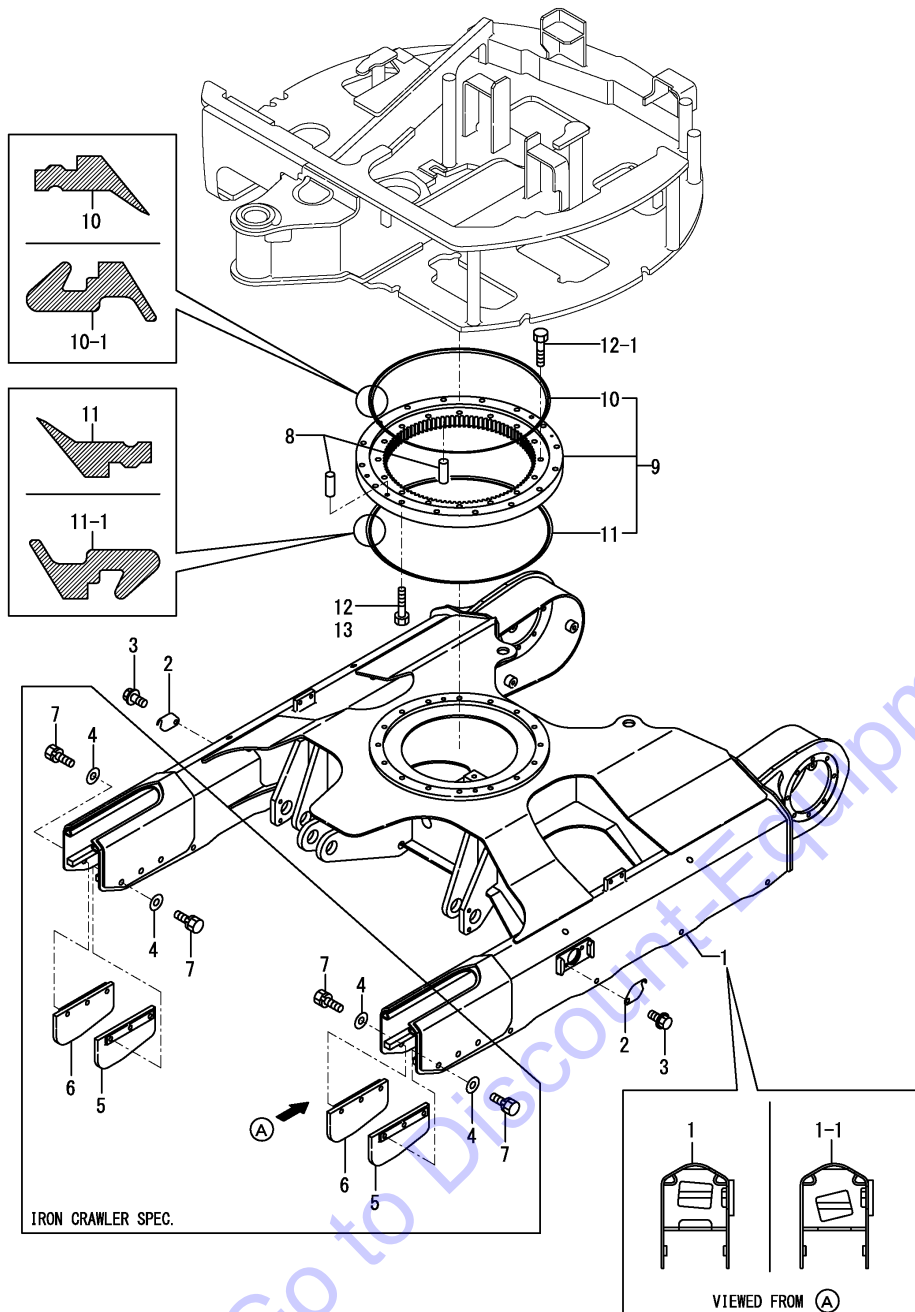
(D)=
 (E)=
 (F)=

No.	Lev.	Parts No.	Description	Q'ty						I	R
				(A)	(B)	(C)	(D)	(E)	(F)		
25A	1	172437-03411	LABEL (ENG ROOM US	1	1	1					3
25A-1	1	172A36-03411	LABEL, ENGINE ROOM	1	1	1					N 3
		(A=M/#30501) (B=M/#30501) (C=M/#30501)									
26	1	22217-160000	WASHER, SPRING 16	4	4	4					
27	1	26116-160452	BOLT, M16X 45 PLATED	4	4	4					
28	1	172A23-53260	WASHER, 16.5X35	4	4	4					W
		(A=M46206) (B=M46206) (C=M46206)									
28-1	1	172165-53500	WASHER	4	4	4					S
		(A=*2015.01) (B=*2015.01) (C=*2015.01)									
29	1	172A23-53270	WASHER, SPRING	4	4	4					W
		(A=M46206) (B=M46206) (C=M46206)									
29-1	1	22217-160000	WASHER, SPRING 16	4	4	4					S
		(A=*2015.01) (B=*2015.01) (C=*2015.01)									
30	1	172A23-53280	CAP,M16	4	4	4					W
		(A=*2015.01) (B=*2015.01) (C=*2015.01)									

Remarks

- (1) Attach the No.20A label to this part.
- (2) Attach the No.25A label to this part.
- (3) Label is not illustrated.
- (4) L=No.19, 19-1, 25, 25-1 : 143.45mm, No.19-2, 25-2 : 135.23mm

Fig.29. TRAVEL FRAME & TURNING BEARING

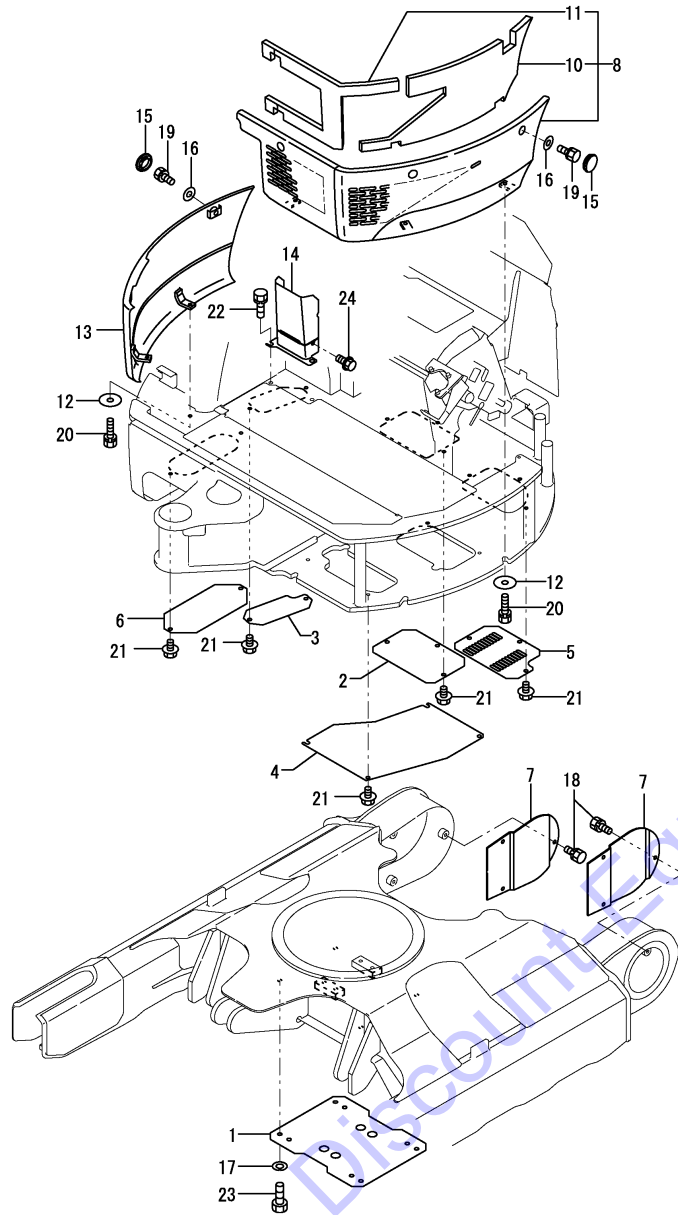


(A)=VIO20-3(US)
 (B)=VIO20-3(AS)
 (C)=VIO20-3(NZ)

(D)=
 (E)=
 (F)=

No.	Lev.	Parts No.	Description	Q'ty						I	R
				(A)	(B)	(C)	(D)	(E)	(F)		
1	1	172456-50102-1	FRAME ASSY, LOWER	1	1	1					
1-1	1	172456-50103-2	FRAME,LOWER (82)	1	1	1					S
		(A=M/#32563) (B=M/#32563) (C=M/#32563)									
1-2	1	172456-50103-1	FRAME ASSY, LOWER	1	1	1					S
		(A=M/#32643) (B=M/#32643) (C=M/#32643)									
1-3	1	172456-50104-1	FRAME ASSY,LOWER(49)	1	1	1					N
		(A=M34222) (B=M34222) (C=M34222)									
1-4	1	172456-50105	FRAME ASSY,LOWER	1	1	1					N
		(A=M45001) (B=M45001) (C=M45001)									
2	1	172458-50480-1	COVER, FRAME	2	2	2					
2-1	1	172458-50480-2	COVER, FRAME	2	2	2					S
		(A=M/#32643) (B=M/#32643) (C=M/#32643)									
3	1	26106-100122	BOLT, M10X 12 PLATED	4	4	4					
4	1	172730-05250	WASHER	12	12	12					
5	1	172456-50800-1	GUARD, SHOE	2	2	2					
5-1	1	172456-50800-2	GUARD, SHOE	2	2	2					S
		(A=M/#32643) (B=M/#32643) (C=M/#32643)									
6	1	172456-50830-1	GUARD, SHOE	2	2	2					
6-1	1	172456-50830-2	GUARD, SHOE	2	2	2					S
		(A=M/#32643) (B=M/#32643) (C=M/#32643)									
7	1	26013-120352	BOLT, M12X 35	12	12	12					
8	1	194940-24350	PIN, PARALLEL 10X28	3	3	3					
9	1	172456-57600	BEARING,TURNING	1	1	1					
9-1	1	172456-57601	BEARING,SWING	1	1	1					N
		(A=M3G542) (B=M3G542) (C=M3G542)									
10	2	172183-57620	SEAL, TURNING	1	1	1					
10-1	2	172B57-57620	SEAL, A	1	1	1					S
		(A=M3G542) (B=M3G542) (C=M3G542)									
11	2	172183-57630	SEAL, TURNING	1	1	1					
11-1	2	172B57-57630	SEAL, B	1	1	1					S
		(A=M3G542) (B=M3G542) (C=M3G542)									
12	1	172141-57650	BOLT M12X 55 PLATED	32	32	32					
12-1	1	172141-57650	BOLT M12X 55 PLATED	16	16	16					K
		(A=M36027) (B=M36027) (C=M36027)									
13	1	172A23-57650	BOLT 10.9 12X55	16	16	16					W
		(A=M36027) (B=M36027) (C=M36027)									

Fig.30. COVER(FRAME)



(A)=VIO20-3(US)
 (B)=VIO20-3(AS)
 (C)=VIO20-3(NZ)

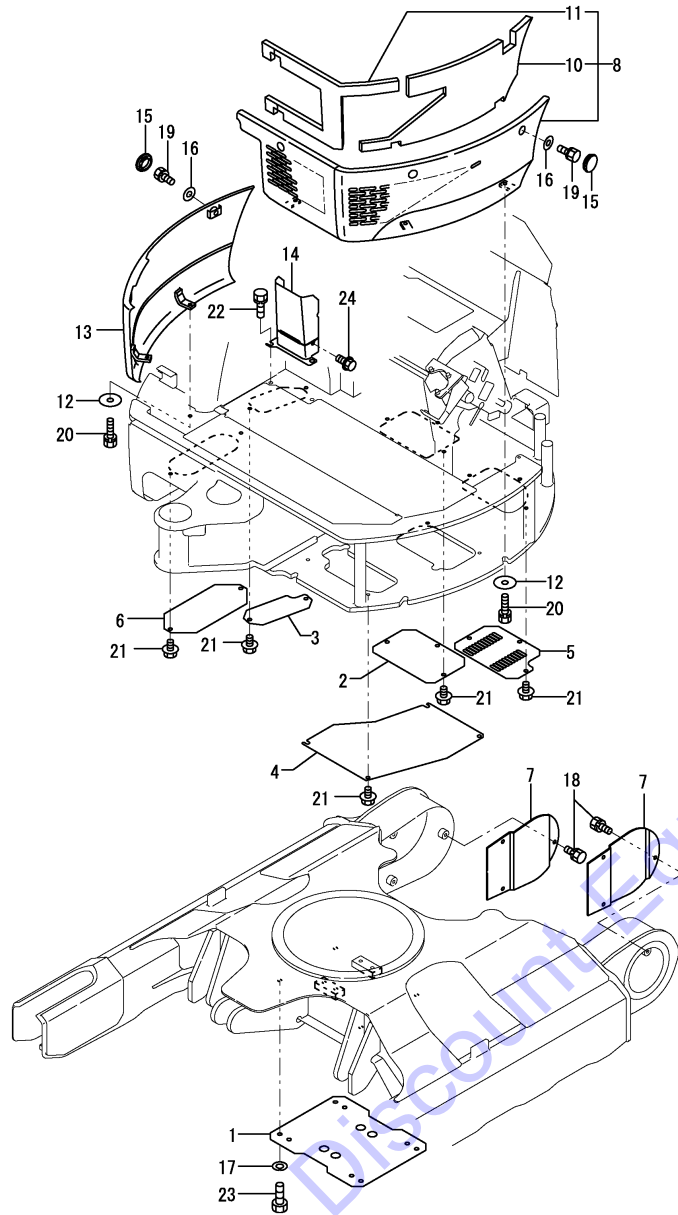
(D)=
 (E)=
 (F)=

No.	Lev.	Parts No.	Description	Q'ty						I	R
				(A)	(B)	(C)	(D)	(E)	(F)		
1	1	172141-50762-2	COVER	1	1	1					
1-1	1	172141-50762-3	COVER	1	1	1					S
		(A=M/#32643) (B=M/#32643) (C=M/#32643)									
1-2	1	172141-50763-1	COVER	1	1	1					N
		(A=M45001) (B=M45001) (C=M45001)									
2	1	172456-61100-1	COVER	1	1	1					
2-1	1	172456-61100-2	COVER	1	1	1					S
		(A=M/#32643) (B=M/#32643) (C=M/#32643)									
3	1	172456-61110-1	COVER	1	1	1					
3-1	1	172456-61110-2	COVER	1	1	1					S
		(A=M/#32643) (B=M/#32643) (C=M/#32643)									
4	1	172458-61110-1	COVER, VALVE	1	1	1					
4-1	1	172458-61110-2	COVER, VALVE	1	1	1					S
		(A=M/#32643) (B=M/#32643) (C=M/#32643)									
5	1	172456-61130-1	PLATE, PUMP	1	1	1					
5-1	1	172456-61130-2	PLATE, PUMP	1	1	1					S
		(A=M/#32643) (B=M/#32643) (C=M/#32643)									
6	1	172458-61150-2	COVER, FUEL	1	1	1					
6-1	1	172458-61150-3	COVER, FUEL	1	1	1					S
		(A=M/#32643) (B=M/#32643) (C=M/#32643)									
7	1	172173-61190-2	COVER, TRAVEL	2	2	2					
7-1	1	172173-61190-3	COVER, TRAVEL	2	2	2					S
		(A=M/#32643) (B=M/#32643) (C=M/#32643)									
7-2	1	172173-61191-1	COVER, TRAVEL	2	2	2					N
		(A=M45001) (B=M45001) (C=M45001)									
8	1	172A23-61200-1	COVER, FRAME	1	1	1					1
8-1	1	172A23-61200-2	COVER, FRAME	1	1	1					S 1
		(A=M/#32643) (B=M/#32643) (C=M/#32643)									
10	2	172487-61240	SEAL, COVER	1	1	1					
11	2	172456-61310	SPONGE	1	1	1					
11A	1	172437-03351	LABEL, GREASE CYL.	1	1	1					3
11A-1	1	172437-03352	LABEL, CYLINDER	1	1	1					N 3
		(A=M/#31399) (B=M/#31399) (C=M/#31399)									
12	1	172458-61261	WASHER	5	5	5					
13	1	172456-61270-1	COVER, FRAME	1	1	1					2
13-1	1	172456-61270-2	COVER, FRAME	1	1	1					S 2
		(A=M/#32643) (B=M/#32643) (C=M/#32643)									
13A	1	172437-03351	LABEL, GREASE CYL.	1	1	1					3
13A-1	1	172437-03352	LABEL, CYLINDER	1	1	1					N 3
		(A=M/#31399) (B=M/#31399) (C=M/#31399)									
14	1	172A36-61410	PLATE ASSY	1	1	1					
15	1	172463-61600	PLUG	5	5	5					
15-1	1	172A21-61600	PLUG	5	5	5					S
		(A=M32643) (B=M32643) (C=M32643)									
16	1	22137-100000	WASHER, 10	5	5	5					
17	1	22217-120000	WASHER, SPRING 12	4	4	4					
18	1	26013-100202	BOLT, M10X 20	6	6	6					
19	1	26013-100202	BOLT, M10X 20	5	5	5					
20	1	26013-100352	BOLT, M10X 35	5	5	5					
21	1	26106-100162	BOLT, M10X 16 PLATED	14	14	14					
22	1	26106-100202	BOLT, M10X 20 PLATED	2	2	2					

Remarks

- (1) Attach the No.11A label to this part.
- (2) Attach the No.13A label to this part.
- (3) Label is not illustrated.

Fig.30. COVER(FRAME)



(A)=VIO20-3(US)
 (B)=VIO20-3(AS)
 (C)=VIO20-3(NZ)

(D)=
 (E)=
 (F)=

No.	Lev.	Parts No.	Description	Q'ty						I	R
				(A)	(B)	(C)	(D)	(E)	(F)		
22-1	1	26106-100162	BOLT, M10X 16 PLATED (A=MXXXXX) (B=MXXXXX) (C=MXXXXX)	2	2	2					N
23	1	26116-120252	BOLT, M12X 25 PLATED	4	4	4					
24	1	26106-100162	BOLT, M10X 16 PLATED (A=MXXXXX) (B=MXXXXX) (C=MXXXXX)	1	1	1					W

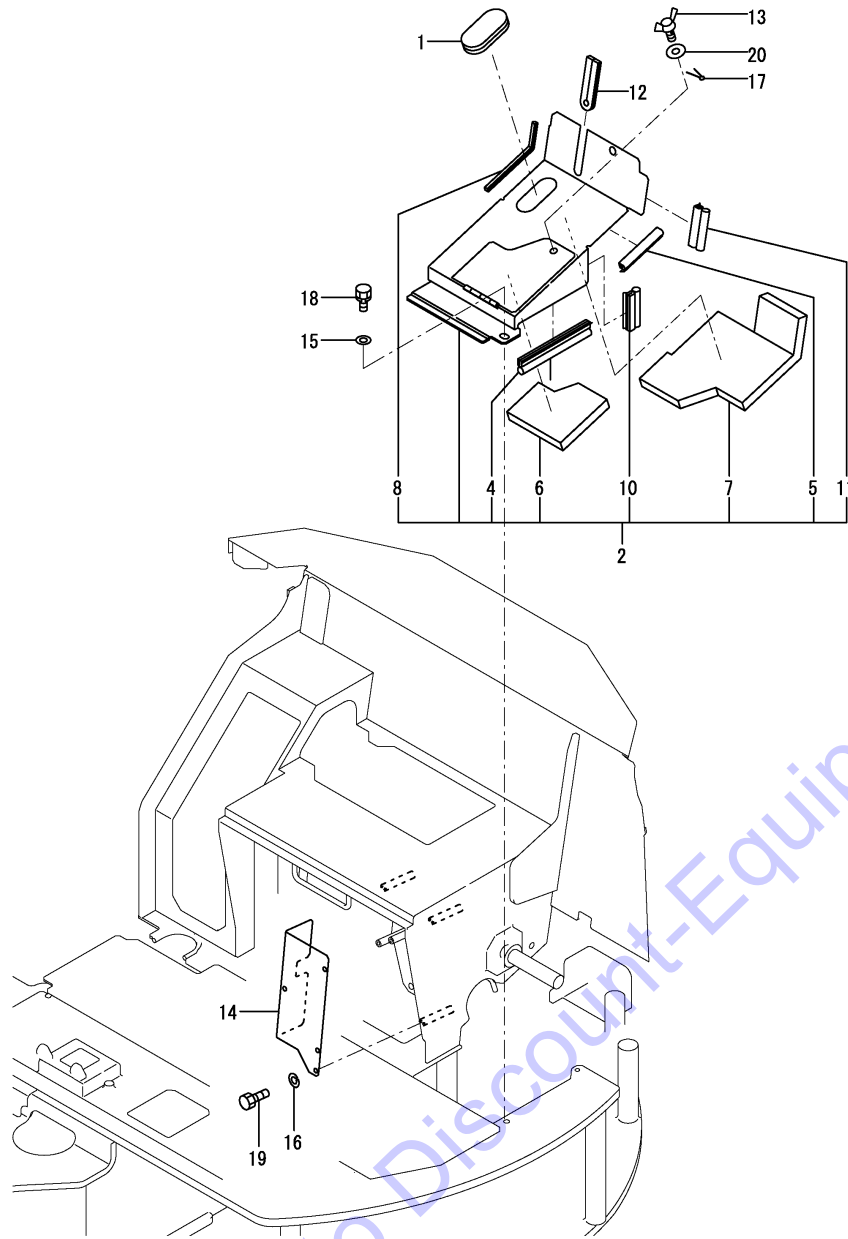
Remarks

- (1) Attach the No.11A label to this part.
- (2) Attach the No.13A label to this part.
- (3) Label is not illustrated.

Fig.31. COVER(AROUND THE CONTROL)

(A)=VIO20-3(US)
 (B)=VIO20-3(AS)
 (C)=VIO20-3(NZ)

(D)=
 (E)=
 (F)=

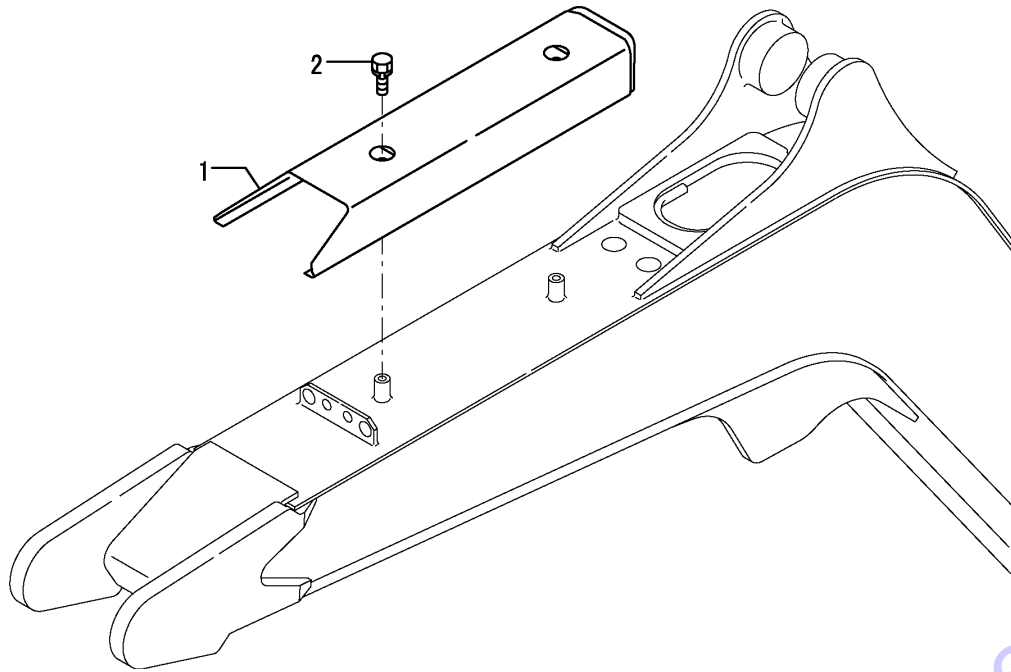


No.	Lev.	Parts No.	Description	Q'ty						I	R
				(A)	(B)	(C)	(D)	(E)	(F)		
1	1	172146-41320	GROMMET	1	1	1					
2	1	172456-61151	COVER ASSY, MULTI	1	1	1					1
2-1	1	172456-61152	COVER ASSY, MULTI	1	1	1					N 1
		(A=M/#31760) (B=M/#31760) (C=M/#31760)									
2-2	1	172456-61152-1	COVER ASSY, MULTI	1	1	1					S 1
		(A=M/#32643) (B=M/#32643) (C=M/#32643)									
2-3	1	172456-61153-1	COVER ASSY, MULTI	1	1	1					N
		(A=M45001) (B=M45001) (C=M45001)									
4	2	172164-61250	RUBBER, SEAL	1	1	1					
5	2	172456-61340	RUBBER, SEAL 105	1	1	1					
6	2	172456-61350	SPONGE	1	1	1					
7	2	172456-61360	SPONGE	1	1	1					
8	2	172146-61370	RUBBER, SEAL	1	1	1					
10	2	172171-65850	RUBBER, SEAL	1	1	1					
11	2	172164-66800	RUBBER, SEAL 60	1	1	1					
11A	1	172437-03241	LABEL, CRAWLER	1	1	1					2
11A-1	1	172437-03242	LABEL, CRAWLER	1	1	1					N 2
		(A=M/#31399) (B=M/#31399) (C=M/#31399)									
12	1	172458-61300	GROMMET	1	1	1					
13	1	172142-62300	BOLT, WING	1	1	1					
13-1	1	172142-62301	BOLT, WING	1	1	1					N
		(A=M35780) (B=M35780) (C=M35780)									
14	1	172456-64640	COVER, ELECTRIC	1	1	1					
15	1	22137-100000	WASHER, 10	2	2	2					
16	1	22217-060000	WASHER, SPRING 6	3	3	3					
17	1	22417-320200	PIN, COTTER 3.2X20	1	1	1					
17-1	1	22417-250200	PIN, COTTER 2.5X20	1	1	1					N
		(A=MXXXXX) (B=MXXXXX) (C=MXXXXX)									
17-2	1	22417-320200	PIN, COTTER 3.2X20	1	1	1					N
		(A=M37415) (B=M37415) (C=M37415)									
18	1	26013-100202	BOLT, M10X 20	2	2	2					
19	1	26116-060122	BOLT, M6X 12 PLATED	3	3	3					
20	1	22117-100000	WASHER, 10	1	1	1					W
		(A=MXXXXX) (B=MXXXXX) (C=MXXXXX)									
20-1	1	22133-100000	WASHER, 10	1	1	1					N
		(A=M37415) (B=M37415) (C=M37415)									

Remarks

- (1) Attach the No.11A label to this part.
- (2) Label is not illustrated.

Fig.32. COVER(BOOM)

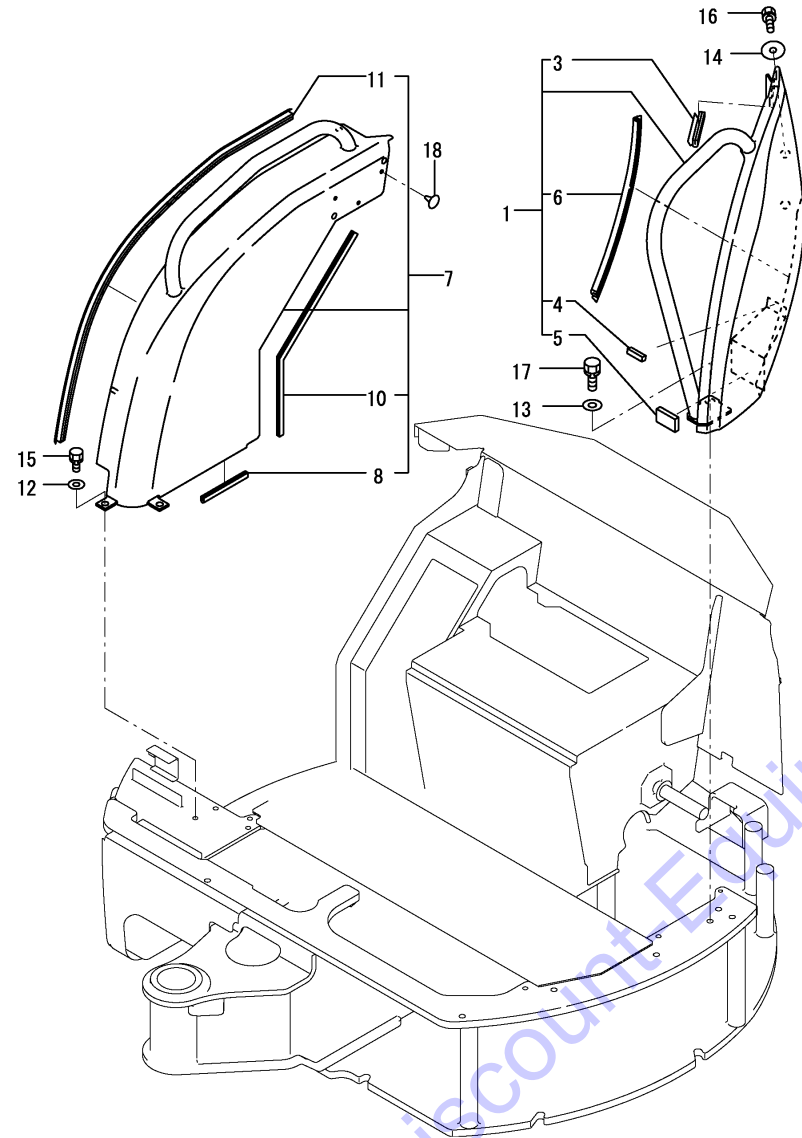


(A)=VIO20-3(US)
 (B)=VIO20-3(AS)
 (C)=VIO20-3(NZ)

(D)=
 (E)=
 (F)=

No.	Lev.	Parts No.	Description	Q'ty						I	R
				(A)	(B)	(C)	(D)	(E)	(F)		
1	1	172456-61963-1	COVER, BOOM	1	1	1					
1-1	1	172456-61963-2	COVER, BOOM	1	1	1					S
		(A=M34345) (B=M34345) (C=M34345)									
1-2	1	172456-61964-2	COVER, BOOM	1	1	1					R
		(A=M35180) (B=M35180) (C=M35180)									
1-3	1	172456-61964-Y	COVER, BOOM	1	1	1					S
		(A=M45501) (B=M45501) (C=M45501)									
2	1	26013-080162	BOLT, M8X 16	2							

Fig.33. COVER(CANOPY)



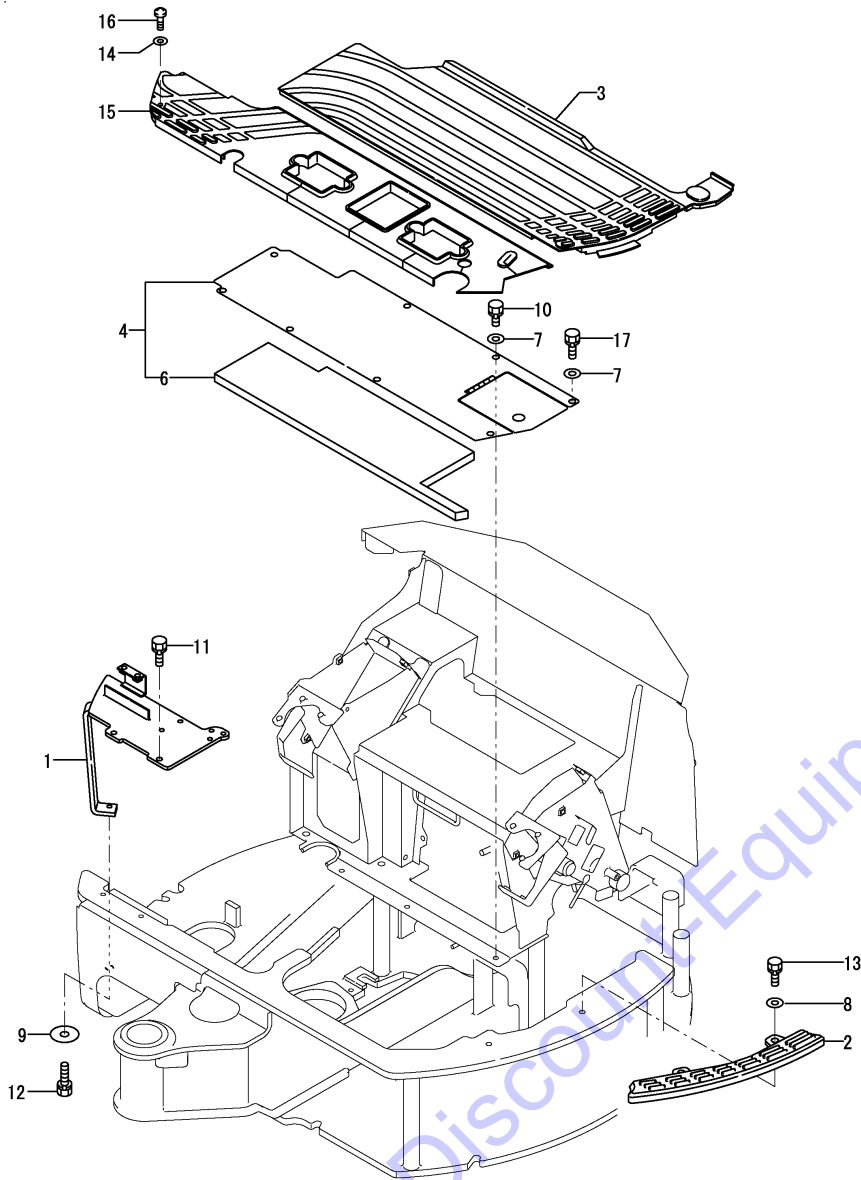
(A)=VIO20-3(US)
 (B)=VIO20-3(AS)
 (C)=VIO20-3(NZ)

(D)=
 (E)=
 (F)=

No.	Lev.	Parts No.	Description	Q'ty						I	R
				(A)	(B)	(C)	(D)	(E)	(F)		
1	1	172456-61400-1	BONNET	1	1	1					1
1-1	1	172456-61400-3	BONNET L ASSY (2J)	1	1	1					S 1
		(A=M34345) (B=M34345) (C=M34345)									
1-2	1	172456-61400-Y	BONNET L	1	1	1					S 1
		(A=M45501) (B=M45501) (C=M45501)									
3	2	172456-61480	RUBBER, SEAL 95	1	1	1					
4	2	172456-61490	SEAL	1	1	1					
5	2	172456-61500	SEAL	1	1	1					
6	2	172183-65560	RUBBER, SEAL 390	1	1	1					
6-1	2	172487-64780	RUBBER, SEAL 365	1	1	1					R
		(A=M35868) (B=M35868) (C=M35868)									
6A	1	172469-03121	LABEL, MODEL	1	1	1					3
6A-1	1	172A23-03120	LABEL,MODEL	1	1	1					N 3
		(A=M45501) (B=M45501) (C=M45501)									
6A-2	1	172A23-03470	LABEL,MODEL VIO20	1	1	1					S 3
		(A=MEF001) (B=MEF001) (C=MEF001)									
7	1	172456-61691	COVER ASSY	1	1	1					2
7-1	1	172456-61691-N	COVER ASSY	1	1	1					S 2
		(A=MEF001) (B=MEF001) (C=MEF001)									
8	2	172156-11150	SEAL, ENGINE	1	1	1					
10	2	172458-64140	SEAL	1	1	1					
11	2	172165-65460	RUBBER, SEAL	1	1	1					
11A	1	172472-03240	LABEL,PIN US	1	1	1					3
11A-1	1	172472-03241	LABEL, PIN US	1	1	1					N 3
		(A=M/#31399) (B=M/#31399) (C=M/#31399)									
11B	1	172472-03250	LABEL, OPERATION	1	1	1					3
12	1	22137-100000	WASHER, 10	4	4	4					
13	1	172730-05250	WASHER	1	1	1					
14	1	22157-100000	WASHER, 10	2	2	2					
15	1	26013-100202	BOLT, M10X 20	4	4	4					
16	1	26013-100252	BOLT, M10X 25	2	2	2					
17	1	26013-120352	BOLT, M12X 35	1	1	1					
18	1	172458-64610	CLIP, TREE	3							4
18-1	1	183341-91800	CLIP, TREE 5	3							S 4
		(A=MEF001)									

Remarks
 (1)Attach the No.6A label to this part.
 (2)Attach the No.11A & 11B label to this part.
 (3)Label is not illustrated.
 (4)Not applied for quick coupler specification.
 No.18 : Color = GRAY.
 No.18-1 : Color = BLACK.

Fig.34. STEP



(A)=VIO20-3(US)
 (B)=VIO20-3(AS)
 (C)=VIO20-3(NZ)

(D)=
 (E)=
 (F)=

No.	Lev.	Parts No.	Description	Q'ty						I	R
				(A)	(B)	(C)	(D)	(E)	(F)		
1	1	172456-62100-1	STEP	1	1	1					
1-1	1	172456-62100-2	STEP	1	1	1					S
		(A=M/#32643) (B=M/#32643) (C=M/#32643)									
2	1	172458-62110	STEP	1	1	1					
2-1	1	172458-62110-1	STEP	1	1	1					S
		(A=M/#32643) (B=M/#32643) (C=M/#32643)									
3	1	172456-62200	MAT A	1	1	1					
4	1	172469-62210	STEP	1	1	1					1
4-1	1	172469-62210-2	STEP ASSY	1	1	1					S 1
		(A=M/#32643) (B=M/#32643) (C=M/#32643)									
6	2	172469-62310	SPONGE	1	1	1					
6A	1	172438-03300	LABEL, PTO SELECT	1	1	1					2
7	1	22137-100000	WASHER, 10	8	8	8					
8	1	22137-120000	WASHER, 12	2	2	2					
9	1	22157-100000	WASHER, 10	1	1	1					
10	1	26013-100202	BOLT, M10X 20	8	8	8					
10-1	1	26013-100202	BOLT, M10X 20	6	6	6					K
		(A=*2014.01) (B=*2014.01) (C=*2014.01)									
11	1	26013-100252	BOLT, M10X 25	2	2	2					
12	1	26013-100352	BOLT, M10X 35	1	1	1					
13	1	26013-120302	BOLT, M12X 30	2	2	2					
14	1	172458-62430	WASHER	1	1	1					
15	1	172469-62500	FLOOR MAT B (CANOPY)	1	1	1					
16	1	172137-69850	SCREW	1	1	1					
17	1	26013-100252	BOLT, M10X 25	2	2	2					W
		(A=*2014.01) (B=*2014.01) (C=*2014.01)									

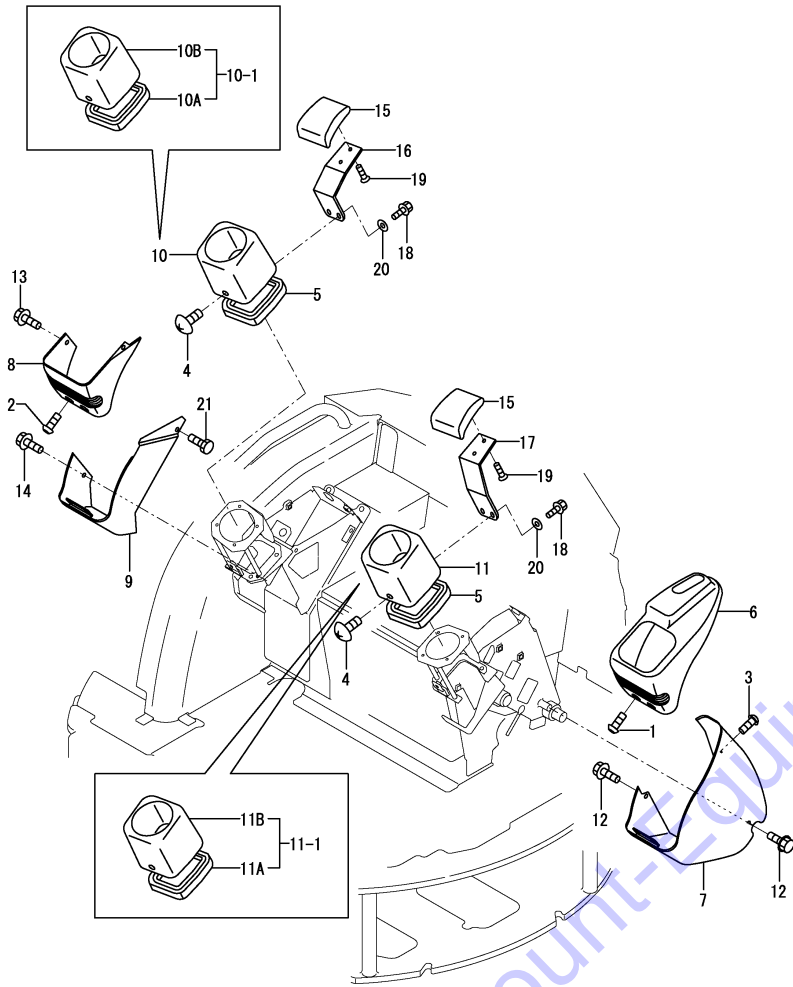
Remarks

- (1) Attach the No.6A label to this part.
- (2) Label is not illustrated.

Fig.35. INSTRUMENT PANEL & ARMREST

(A)=VIO20-3(US)
 (B)=VIO20-3(AS)
 (C)=VIO20-3(NZ)

(D)=
 (E)=
 (F)=



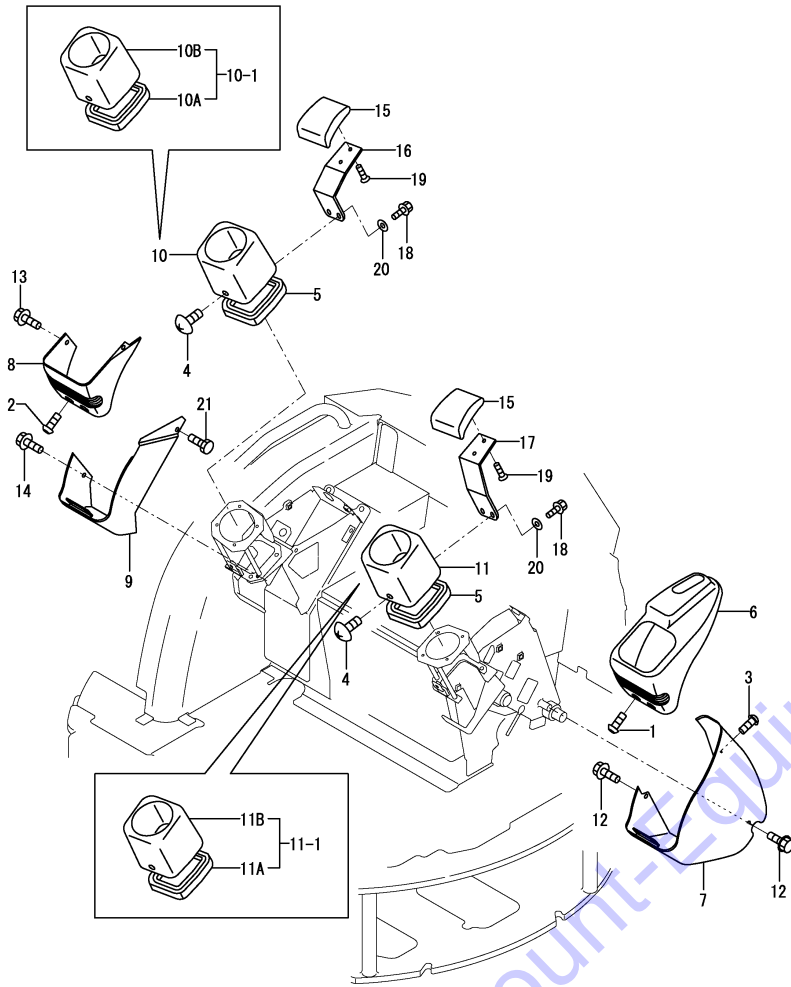
No.	Lev.	Parts No.	Description	Q'ty						I	R
				(A)	(B)	(C)	(D)	(E)	(F)		
1	1	172458-46720	BOLT	3	3	3					
2	1	172458-46720	BOLT	2	2	2					
3	1	172458-46720	BOLT	1	1	1					
4	1	172458-46720	BOLT	2	2	2					
5	1	172162-62540	SEAL, STEP	2	2	2					Z
		(A=M35238) (B=M35238) (C=M35238)									
6	1	172458-63100	PANEL, INSTRUMENT	1	1	1					1
6-1	1	172458-62900	COVER, LEVER LUP STDD	1	1	1					S 1
		(A=MEF001) (B=MEF001) (C=MEF001)									
6A	1	172458-03220	LABEL, ACCELERATOR	1	1	1					2
7	1	172458-63120	PANEL, INSTRUMENT	1	1	1					4
7-1	1	172458-62920	COVER, LEVER L LOW D	1	1	1					S 5
		(A=MEF001) (B=MEF001) (C=MEF001)									
8	1	172458-63130	PANEL, INSTRUMENT	1	1	1					3
8-1	1	172458-62930	COVER, LEVER R UP D	1	1	1					S 5
		(A=MEF001) (B=MEF001) (C=MEF001)									
9	1	172458-63140	PANEL, INSTRUMENT	1	1	1					4
9-1	1	172458-62940	COVER, LEVER R LOW D	1	1	1					S 5
		(A=MEF001) (B=MEF001) (C=MEF001)									
10	1	172472-63210	COVER	1	1	1					Z
		(A=M35238) (B=M35238) (C=M35238)									
10-1	1	172472-63150	COVER	1	1	1					W 3
		(A=M35238) (B=M35238) (C=M35238)									
10-2	1	172472-63550	COVER ASSY, R US D	1	1	1					S 5
		(A=MEF001) (B=MEF001) (C=MEF001)									
10A	2	172162-62540	SEAL, STEP	1	1	1					
10B	2	172472-63210	COVER	1	1	1					3
10B-1	2	172472-63610	COVER, R US D	1	1	1					S 5
		(A=MEF001) (B=MEF001) (C=MEF001)									
11	1	172472-63220	COVER	1	1	1					Z
		(A=M35238) (B=M35238) (C=M35238)									
11-1	1	172472-63160	COVER	1	1	1					W 3
		(A=M35238) (B=M35238) (C=M35238)									
11-2	1	172472-63560	COVER ASSY, L US D	1	1	1					S 5
		(A=MEF001) (B=MEF001) (C=MEF001)									
11A	2	172162-62540	SEAL, STEP	1	1	1					
11B	2	172472-63220	COVER	1	1	1					3
11B-1	2	172472-63620	COVER, L US D	1	1	1					S 5
		(A=MEF001) (B=MEF001) (C=MEF001)									
12	1	172519-63240	BOLT	2	2	2					
13	1	172519-63240	BOLT	1	1	1					
14	1	172519-63240	BOLT	2	2	2					
14-1	1	172519-63240	BOLT	1	1	1					K
		(A=*2015.06.) (B=*2015.06.) (C=*2015.06.)									
15	1	172441-44320	ARMREST	2	2	2					
16	1	172472-64531-1	PLATE, ARMREST	1	1	1					
16-1	1	172472-64532-2	PLATE, ARMREST	1	1	1					N
		(A=M/#30845) (B=M/#30845) (C=M/#30845)									
16-2	1	172472-64532-1	PLATE, ARMREST	1	1	1					S
		(A=M/#32643) (B=M/#32643) (C=M/#32643)									
17	1	172472-64541-1	PLATE, ARMREST	1	1	1					

Remarks
 (1) Attach the No.6A label to this part.
 No.6 : Color = DARK OLIVE GRAY.
 No.6-1 : Color = PANTONE 425C.
 (2) Label is not illustrated.
 (3) Color = DARK OLIVE GRAY.
 (4) Color = WARM GARY.
 (5) Color = PANTONE 425C.

Fig.35. INSTRUMENT PANEL & ARMREST

(A)=VIO20-3(US)
 (B)=VIO20-3(AS)
 (C)=VIO20-3(NZ)

(D)=
 (E)=
 (F)=



No.	Lev.	Parts No.	Description	Q'ty						I	R
				(A)	(B)	(C)	(D)	(E)	(F)		
17-1	1	172472-64542-2	PLATE, ARMREST	1	1	1					N
		(A=M/#30845) (B=M/#30845) (C=M/#30845)									
17-2	1	172472-64542-1	PLATE, ARMREST	1	1	1					S
		(A=M/#32643) (B=M/#32643) (C=M/#32643)									
18	1	172165-66980	BOLT	4	4	4					
19	1	26577-080122	SCREW, M8X12	4	4	4					
20	1	22137-080000	WASHER, 8	4	4	4					W
		(A=M/#30845) (B=M/#30845) (C=M/#30845)									
21	1	172487-63500	BOLT, LOW HEAD 8X20	1	1	1					W
		(A=*2015.06.) (B=*2015.06.) (C=*2015.06.)									

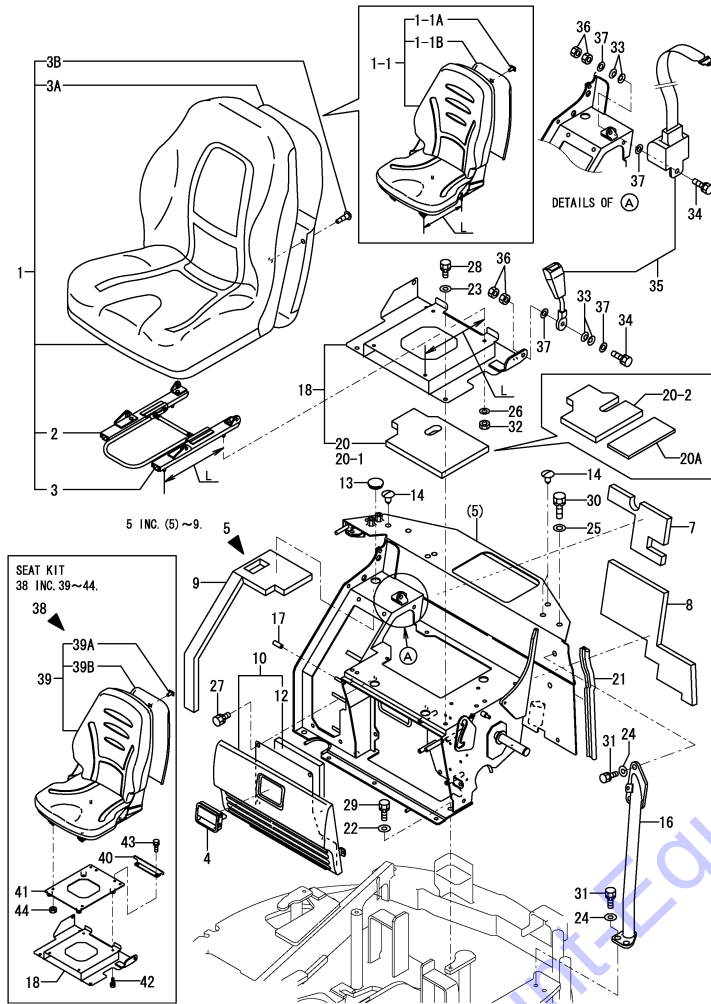
Remarks

- (1) Attach the No.6A label to this part.
- No.6 : Color = DARK OLIVE GRAY.
- No.6-1 : Color = PANTONE 425C.
- (2) Label is not illustrated.
- (3) Color = DARK OLIVE GRAY.
- (4) Color = WARM GARY.
- (5) Color = PANTONE 425C.

Fig.36. SEAT & SEAT MOUNT(TO MEF098)

(A)=VIO20-3(US)
(B)=VIO20-3(AS)
(C)=VIO20-3(NZ)

(D)=
(E)=
(F)=



Remarks

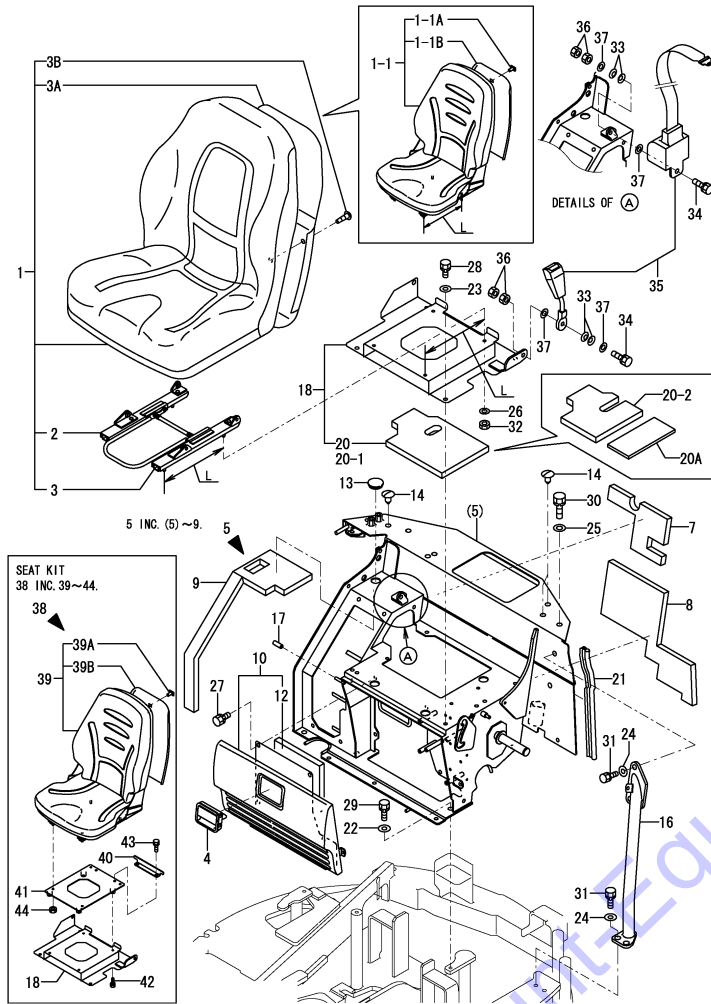
- (1) Attach the No.9A, 9B, 9C & 9D label to this part.
- (2) Attach the No.12A, 12B, 12C & 12D label to this part.
- (3) Label is not illustrated.
- (4) L=No.1, 18 : 255mm, No.1-1, 18-1 : 285mm.
- (5) Interchangeable by simultaneous replacement with No.1-1 & 18-1.
- (6) Interchangeable by simultaneous replacement with No.33-1, 34-1, 36-1 & 37-1.
- (7) Color = DARK OLIVE GRAY.
- (8) Color = WARM GARY.
- (9) Color = BLACK.
- (A) Spare parts is shown in Fig.99 No.1.
- (B) Spare parts is shown in Fig.100 No.1.

No.	Lev.	Parts No.	Description	Q'ty						I	R
				(A)	(B)	(C)	(D)	(E)	(F)		
1	1	172455-64200	SHEET	1	1	1					B
1-1	1	172A46-64200	SEAT, OPERATOR	1	1	1					F 4
		(A=M32796) (B=M32796) (C=M32796)									
1-1A	2	172A46-64180	LOCK-FUSE,LID	1	1	1					W
		(A=M32796) (B=M32796) (C=M32796)									
1-1B	2	172A46-64190	COVER, BACK	1	1	1					W
		(A=M32796) (B=M32796) (C=M32796)									
1-2	1	172A46-64200	SEAT, OPERATOR	1	1	1					Z A
		(A=MEF099) (B=MEF099) (C=MEF099)									
2	2	172455-64600	TRACK ASSY, SEAT	1	1	1					Z
		(A=M32796) (B=M32796) (C=M32796)									
3	2	172455-64610	TRACK ASSY, SEAT	1	1	1					Z
		(A=M32796) (B=M32796) (C=M32796)									
3A	2	172455-64590	BOARD, FR SEAT BACK	1	1	1					W
		(A=M/#31944) (B=M/#31944) (C=M/#31944)									
3A-1	2	172455-64590	BOARD, FR SEAT BACK	1	1	1					Z
		(A=M32796) (B=M32796) (C=M32796)									
3B	2	172455-64710	SCREW	14	14	14					W
		(A=M/#31944) (B=M/#31944) (C=M/#31944)									
3B-1	2	172455-64710	SCREW	14	14	14					Z
		(A=M32796) (B=M32796) (C=M32796)									
4	1	172187-61421	HANDLE, LOCK	1	1	1					7
4-1	1	172B02-69040	HANDLE, LOCK BLACK	1	1	1					S 9
		(A=MEF001) (B=MEF001) (C=MEF001)									
5	1	172A36-64200	MOUNT ASSY, SEAT	1	1	1					1
5-1	1	172A36-64201	MOUNT ASSY, SEAT	1	1	1					N 1
		(A=M33146) (B=M33146) (C=M33146)									
5-2	1	172A36-64201-N	MOUNT ASSY, SEAT	1	1	1					S 1
		(A=MEF001) (B=MEF001) (C=MEF001)									
5-3	1	172A36-64202	MOUNT ASSY, SEAT	1	1	1					N 1
		(A=MEF099) (B=MEF099) (C=MEF099)									
7	2	172A23-64700	SPONGE	1	1	1					
8	2	172456-64710	SPONGE	1	1	1					
9	2	172A23-64720	SPONGE	1	1	1					
9A	1	172472-03171	LABEL, FUSE US	1	1	1					3
9B	1	172437-03530	LABEL, RE-START	1	1	1					3
9C	1	172437-03300	LABEL, MANUAL	1	1	1					3
9C-1	1	172437-03301	LABEL, MANUAL US	1	1	1					N 3
		(A=M/#31399) (B=M/#31399) (C=M/#31399)									
9C-2	1	172437-03302	LABEL, MANUAL	1	1	1					N 3
		(A=M/#32637) (B=M/#32637) (C=M/#32637)									
9D	1	172437-03470	LABEL, LEVER LOCK	1	1	1					3
9D-1	1	172437-03471	LABEL, LEVER LOCK	1	1	1					N 3
		(A=M/#31399) (B=M/#31399) (C=M/#31399)									
10	1	172A23-64460	GRILLE ASSY	1	1	1					2
10-1	1	172A23-64461	GRILLE ASSY	1	1	1					N 2
		(A=M 33952) (B=M 33952) (C=M 33952)									
10-2	1	172A23-64461-N	GRILLE ASSY	1	1	1					S 2
		(A=MEF001) (B=MEF001) (C=MEF001)									
12	2	172A23-64500	SPONGE	1	1	1					
12-1	2	172A23-64501	SPONGE	1	1	1					N

Fig.36. SEAT & SEAT MOUNT(TO MEF098)

(A)=VIO20-3(US)
(B)=VIO20-3(AS)
(C)=VIO20-3(NZ)

(D)=
(E)=
(F)=



Remarks

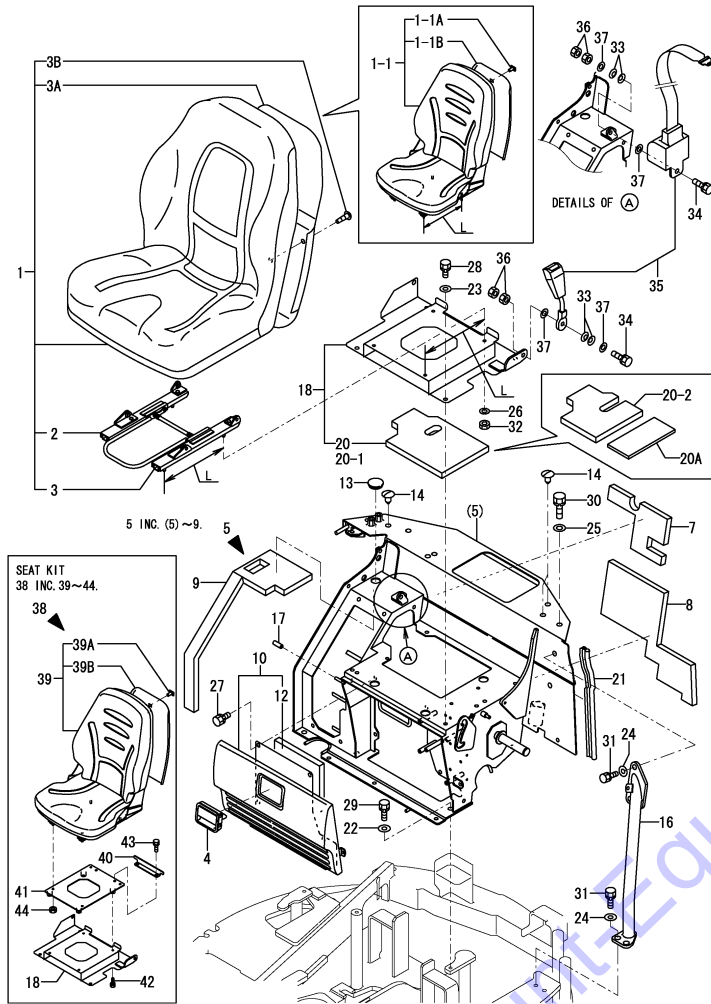
- (1) Attach the No.9A, 9B, 9C & 9D label to this part.
- (2) Attach the No.12A, 12B, 12C & 12D label to this part.
- (3) Label is not illustrated.
- (4) L=No.1, 18 : 255mm, No.1-1, 18-1 : 285mm.
- (5) Interchangeable by simultaneous replacement with No.1-1 & 18-1.
- (6) Interchangeable by simultaneous replacement with No.33-1, 34-1, 36-1 & 37-1.
- (7) Color = DARK OLIVE GRAY.
- (8) Color = WARM GARY.
- (9) Color = BLACK.
- (A) Spare parts is shown in Fig.99 No.1.
- (B) Spare parts is shown in Fig.100 No.1.

No.	Lev.	Parts No.	Description	Q'ty						I	R
				(A)	(B)	(C)	(D)	(E)	(F)		
		(A=M 33952) (B=M 33952) (C=M 33952)									
12A	1	172469-03140	LABEL,OIL&WATER	1	1	1					3
12B	1	172472-03160	LABEL,GREASE	1	1	1					3
12C	1	172A36-03110	LABEL,SPECIFICATION	1	1	1					3
12C-1	1	172A36-03111	LABEL, SPECIFICATION	1	1	1				N	3
		(A=M/#31177) (B=M/#31177) (C=M/#31177)									
12D	1	172472-03140	LABEL,SUPPORT US	1	1	1					3
12D-1	1	172472-03141	LABEL, SUPPORT	1	1	1				N	3
		(A=M/#31399) (B=M/#31399) (C=M/#31399)									
13	1	172458-64590	PLUG	1	1	1					8
13-1	1	172A21-61600	PLUG	1	1	1				S	9
		(A=MEF001) (B=MEF001) (C=MEF001)									
14	1	172458-64600	CLIP, TREE	3	3	3					8
14-1	1	172176-68210	CLIP, TREE	3	3	3				S	9
		(A=MEF001) (B=MEF001) (C=MEF001)									
16	1	172469-64700	PIPE	1	1	1					
16-1	1	172469-64700-N	PIPE	1	1	1					S
		(A=MEF001) (B=MEF001) (C=MEF001)									
17	1	172187-64800	CAP	1	1	1					
18	1	172A36-64850	PLATE ASSY,SEAT (73)	1	1	1					
18-1	1	172A36-64851	PLATE, SEAT	1	1	1				S	4
		(A=M33146) (B=M33146) (C=M33146)									
18-2	1	172A36-64852	PLATE, SEAT	1	1	1					N
		(A=M 33952) (B=M 33952) (C=M 33952)									
18-3	1	172A36-64852-N	PLATE, SEAT	1	1	1					S
		(A=MEF001) (B=MEF001) (C=MEF001)									
20	2	172A23-64880	SPONGE	1	1	1					
20-1	2	172A23-64881	SPONGE	1	1	1					R
		(A=M32769) (B=M32769) (C=M32769)									
20-2	2	172A23-64882	SPONGE	1	1	1					F 5
		(A=M 33952) (B=M 33952) (C=M 33952)									
20A	2	172A23-64930	INSURATOR,SEAT	1	1	1					W
		(A=M 33952) (B=M 33952) (C=M 33952)									
21	1	172164-66480	RUBBER 340, SEAL	1	1	1					
22	1	22137-100000	WASHER, 10	3	3	3					
23	1	22137-100000	WASHER, 10	5	5	5					
24	1	22137-120000	WASHER, 12	4	4	4					
25	1	22137-120000	WASHER, 12	2	2	2					
26	1	22217-080000	WASHER, SPRING 8	4	4	4					
27	1	26013-100202	BOLT, M10X 20	4	4	4					
28	1	26013-100202	BOLT, M10X 20	5	5	5					
29	1	26013-100252	BOLT, M10X 25	3	3	3					
30	1	26013-120252	BOLT, M12X 25	2	2	2					
31	1	26013-120302	BOLT, M12X 30	4	4	4					
32	1	26716-080002	NUT, M8	4	4	4					
33	1	172652-64220	SPRING	4	4	4					
33-1	1	172A77-64270	SPRING	4	4	4					F 6
		(A=M35974) (B=M35974) (C=M35974)									
34	1	172433-64511	BOLT	2	2	2					
34-1	1	26116-100352	BOLT, M10X 35 PLATED	2	2	2					F 6
		(A=M35974) (B=M35974) (C=M35974)									

Fig.36. SEAT & SEAT MOUNT(TO MEF098)

(A)=VIO20-3(US)
(B)=VIO20-3(AS)
(C)=VIO20-3(NZ)

(D)=
(E)=
(F)=



No.	Lev.	Parts No.	Description	Q'ty						I	R
				(A)	(B)	(C)	(D)	(E)	(F)		
35	1	172A23-64770	BELT ASSY, SEAT	1	1	1					
35-1	1	1A8160-63400	BELT ASSY, SEAT	1	1	1					R
		(A=M35974) (B=M35974) (C=M35974)									
36	1	172187-64831	NUT	4	4	4					
36-1	1	26716-100002	NUT, M10	4	4	4					F 6
		(A=M35974) (B=M35974) (C=M35974)									
37	1	22137-120000	WASHER, 12	4	4	4					
37-1	1	22137-100000	WASHER, 10	4	4	4					F 6
		(A=M35974) (B=M35974) (C=M35974)									
37-2	1	22137-100000	WASHER, 10	6	6	6					K
		(A=M35974) (B=M35974) (C=M35974)									
38	1	172456-08600	SEAT KIT	1	1	1					W
		(A=M/#33595) (B=M/#33595) (C=M/#33595)									
38-1	1	172456-08600-N	SEAT KIT	1	1	1					S
		(A=MEF001) (B=MEF001) (C=MEF001)									
38-2	1	172456-08600-N	SEAT KIT	1	1	1					Z A
		(A=MEF099) (B=MEF099) (C=MEF099)									
39	2	172A46-64200	SEAT, OPERATOR	1	1	1					W
		(A=M/#33595) (B=M/#33595) (C=M/#33595)									
39-1	2	172A46-64200	SEAT ASSY, OPERATOR	1	1	1					Z A
		(A=*2017.11.) (B=*2017.11.) (C=*2017.11.)									
39A	3	172A46-64180	LOCK-FUSE,LID	1	1	1					
39B	3	172A46-64190	COVER, BACK	1	1	1					
40	2	172A46-64520	STOPPER ASSY	1	1	1					W
		(A=M/#33595) (B=M/#33595) (C=M/#33595)									
40-1	2	172A46-64520-N	STOPPER ASSY	1	1	1					S
		(A=MEF001) (B=MEF001) (C=MEF001)									
41	2	172A46-64500	PLATE ASSY,SEAT	1	1	1					W
		(A=M/#33595) (B=M/#33595) (C=M/#33595)									
41-1	2	172A46-64500-N	PLATE ASSY,SEAT	1	1	1					S
		(A=MEF001) (B=MEF001) (C=MEF001)									
42	2	26013-080202	BOLT, M8X 20	4	4	4					W
		(A=M/#33595) (B=M/#33595) (C=M/#33595)									
43	2	26013-100202	BOLT, M10X 20	2	2	2					W
		(A=M/#33595) (B=M/#33595) (C=M/#33595)									
44	2	26051-080002	NUT, M8	4	4	4					W
		(A=M/#33595) (B=M/#33595) (C=M/#33595)									

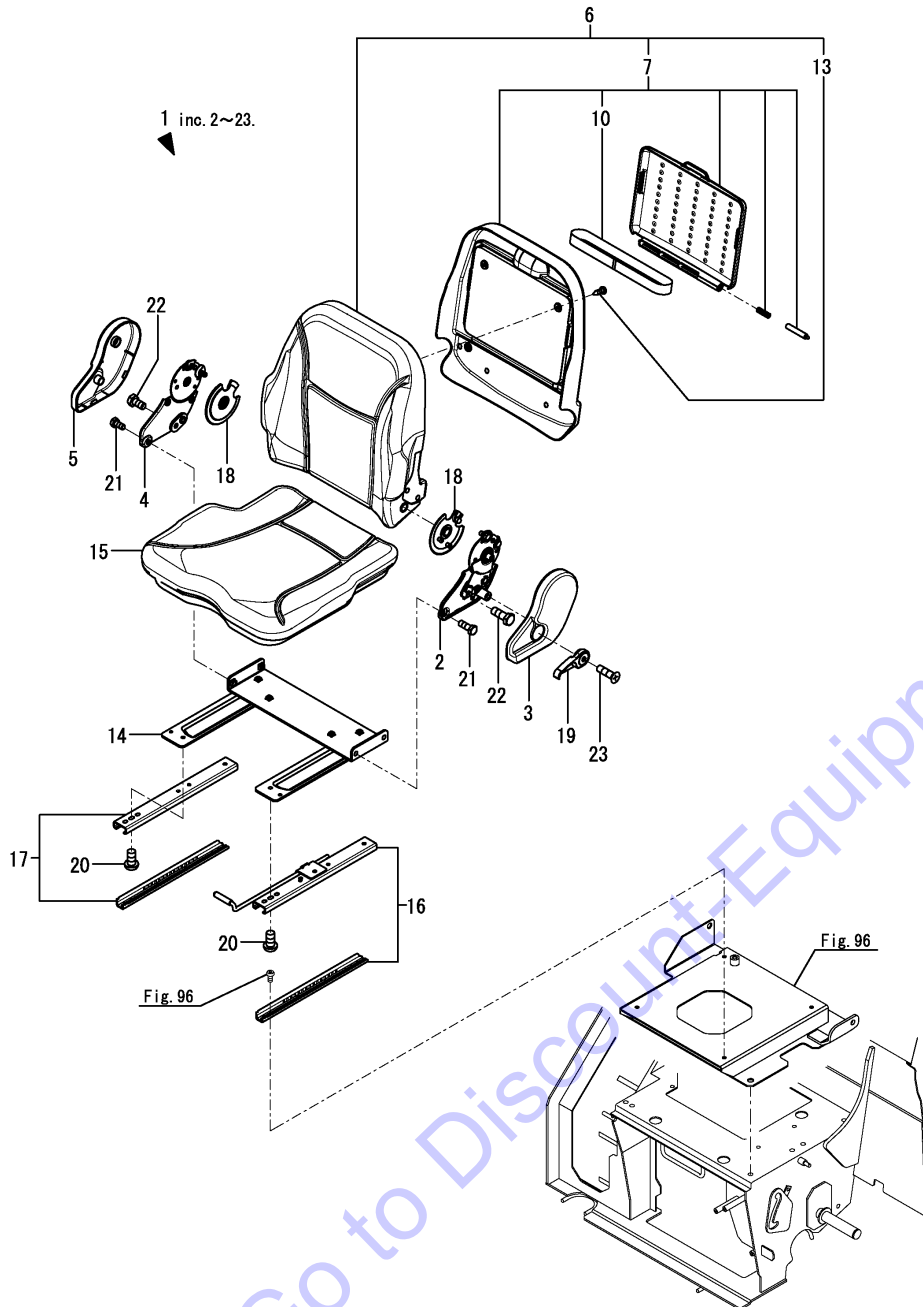
Remarks

- (1) Attach the No.9A, 9B, 9C & 9D label to this part.
- (2) Attach the No.12A, 12B, 12C & 12D label to this part.
- (3) Label is not illustrated.
- (4) L=No.1, 18 : 255mm, No.1-1, 18-1 : 285mm.
- (5) Interchangeable by simultaneous replacement with No.1-1 & 18-1.
- (6) Interchangeable by simultaneous replacement with No.33-1, 34-1, 36-1 & 37-1.
- (7) Color = DARK OLIVE GRAY.
- (8) Color = WARM GARY.
- (9) Color = BLACK.
- (A) Spare parts is shown in Fig.99 No.1.
- (B) Spare parts is shown in Fig.100 No.1.

Fig.95. (36A)SEAT(FROM MEF099)

(A)=VIO20-3(US)
 (B)=VIO20-3(AS)
 (C)=VIO20-3(NZ)

(D)=
 (E)=
 (F)=

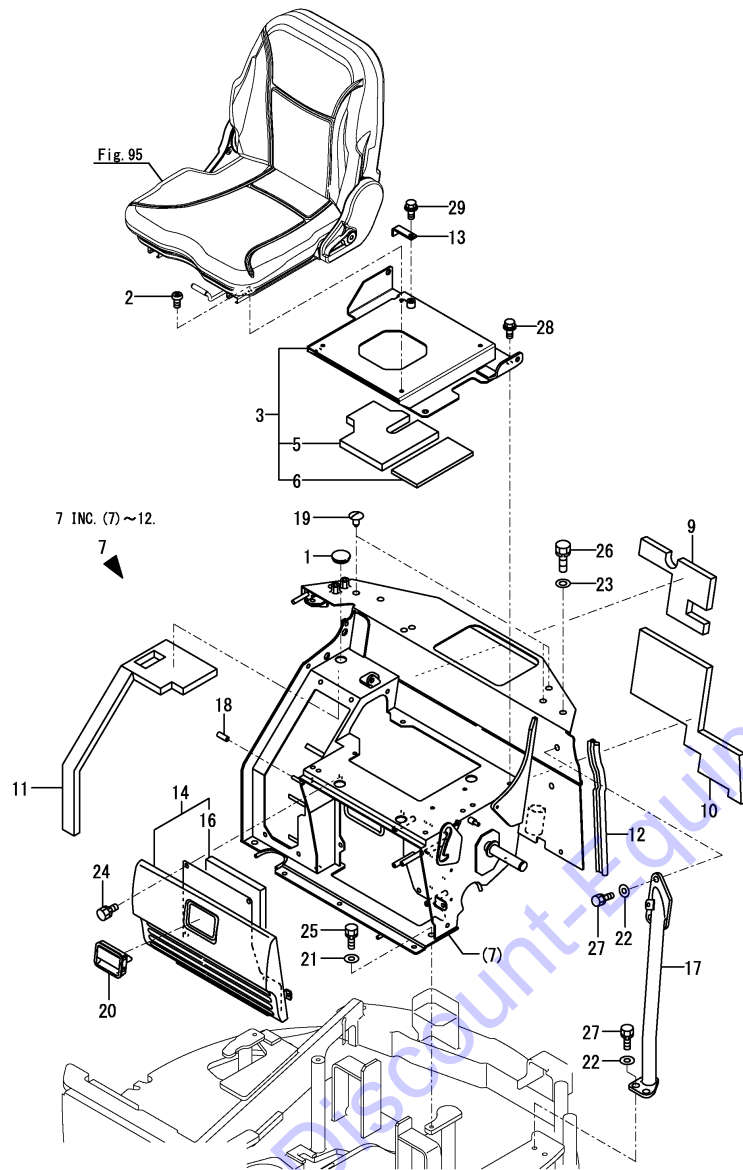


No.	Lev.	Parts No.	Description	Q'ty						I	R
				(A)	(B)	(C)	(D)	(E)	(F)		
1	1	172A64-64070	SEAT ASSY, RECLINING	1	1	1					
2	2	172A64-64040	HINGE ASSY	1	1	1					
3	2	172A64-64060	COVER	1	1	1					
4	2	172A64-64080	HINGE ASSY	1	1	1					
5	2	172A64-64090	COVER	1	1	1					
6	2	172B02-64210	SEAT ASSY, BACK	1	1	1					
7	3	172B02-64270	BOX ASSY, MANUAL	1	1	1					
10	4	172A89-64950	BAND	1	1	1					
13	3	22859-500200	SCREW, 5.0 X 20	4	4	4					
14	2	172B02-64230	BRACKET ASSY, SEAT	1	1	1					
15	2	172A89-64780	SEAT, CUSHION	1	1	1					
16	2	172A89-64800	RAIL ASSY, TL	1	1	1					
17	2	172A89-64810	RAIL ASSY, TR	1	1	1					
18	2	172A89-64870	COVER	2	2	2					
19	2	172A89-64880	LEVER	1	1	1					
20	2	26106-080252	BOLT, M8X 25 PLATED	4	4	4					
21	2	26106-100162	BOLT, M10X 16 PLATED	6	6	6					
22	2	26106-100252	BOLT, M10X 25 PLATED	2	2	2					
23	2	26559-050202	SCREW, M5X20	1	1	1					

Fig.96. (36B)SEAT MOUNT(FROM MEF099)

(A)=VIO20-3(US)
 (B)=VIO20-3(AS)
 (C)=VIO20-3(NZ)

(D)=
 (E)=
 (F)=



No.	Lev.	Parts No.	Description	Q'ty						I	R
				(A)	(B)	(C)	(D)	(E)	(F)		
1	1	172A21-61600	PLUG	1	1	1					
2	1	172455-61710	BOLT M 8X 16	4	4	4					
3	1	172A36-64090	PLATE ASSY, SEAT	1	1	1					
5	2	172A23-64882	SPONGE	1	1	1					
6	2	172A23-64930	INSURATOR, SEAT	1	1	1					
7	1	172A36-64202	MOUNT ASSY, SEAT	1	1	1					1
9	2	172A23-64700	SPONGE	1	1	1					
10	2	172456-64710	SPONGE	1	1	1					
11	2	172A23-64720	SPONGE	1	1	1					
12	2	172164-66480	RUBBER 340, SEAL	1	1	1					
12A	1	172472-03171	LABEL, FUSE US	1	1	1					3
12B	1	172437-03530	LABEL, RE-START	1	1	1					3
12C	1	172437-03302	LABEL, MANUAL	1	1	1					3
12D	1	172437-03471	LABEL, LEVER LOCK	1	1	1					3
13	1	172A36-64450	PLATE, LOCK	1	1	1					
14	1	172A23-64461-N	GRILLE ASSY	1	1	1					2
16	2	172A23-64501	SPONGE	1	1	1					
16A	1	172469-03140	LABEL, OIL&WATER	1	1	1					3
16B	1	172472-03160	LABEL, GREASE	1	1	1					3
16C	1	172A36-03111	LABEL, SPECIFICATION	1	1	1					3
16D	1	172472-03141	LABEL, SUPPORT	1	1	1					3
17	1	172469-64700-N	PIPE ASSY	1	1	1					
18	1	172187-64800	CAP	1	1	1					
19	1	172176-68210	CLIP, TREE D25XL15	3	3	3					
20	1	172B02-69040	HANDLE, LOCK BLACK	1	1	1					
21	1	22137-100000	WASHER, 10	3	3	3					
22	1	22137-120000	WASHER, 12	4	4	4					
23	1	22137-120000	WASHER, 12	2	2	2					
24	1	26013-100202	BOLT, M10X 20	4	4	4					
25	1	26013-100252	BOLT, M10X 25	3	3	3					
26	1	26013-120252	BOLT, M12X 25	2	2	2					
27	1	26013-120302	BOLT, M12X 30	4	4	4					
28	1	26014-100202	BOLT, M10X 20	5	5	5					
29	1	26014-100202	BOLT, M10X 20	1	1	1					

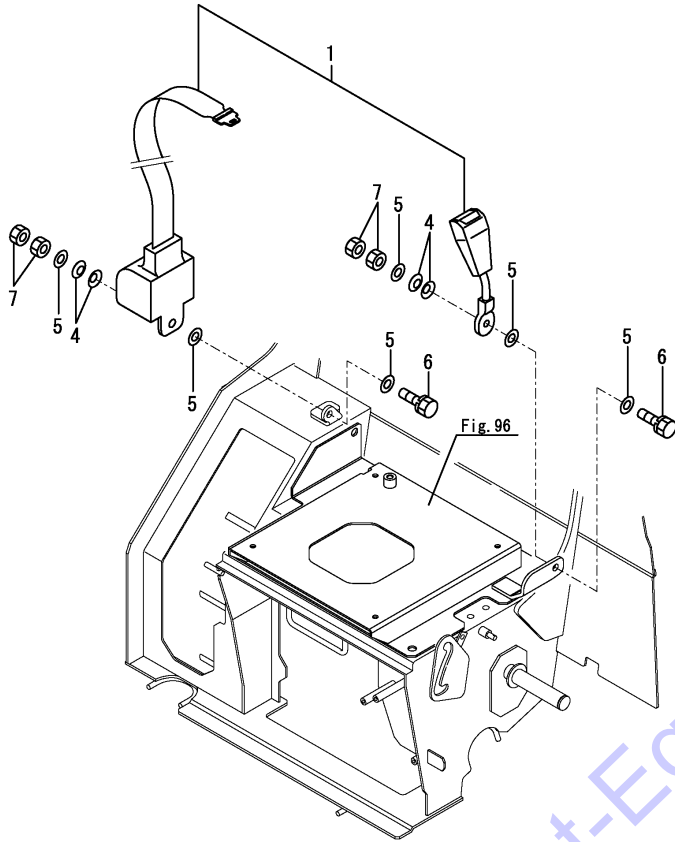
Remarks

- (1) Attach the No.12A, 12B, 12C & 12D label to this part.
- (2) Attach the No.16A, 16B, 16C & 16D label to this part.
- (3) Label is not illustrated.

Fig.97. (36C)SEAT BELT(FROM MEF099)

(A)=VIO20-3(US)
 (B)=VIO20-3(AS)
 (C)=VIO20-3(NZ)

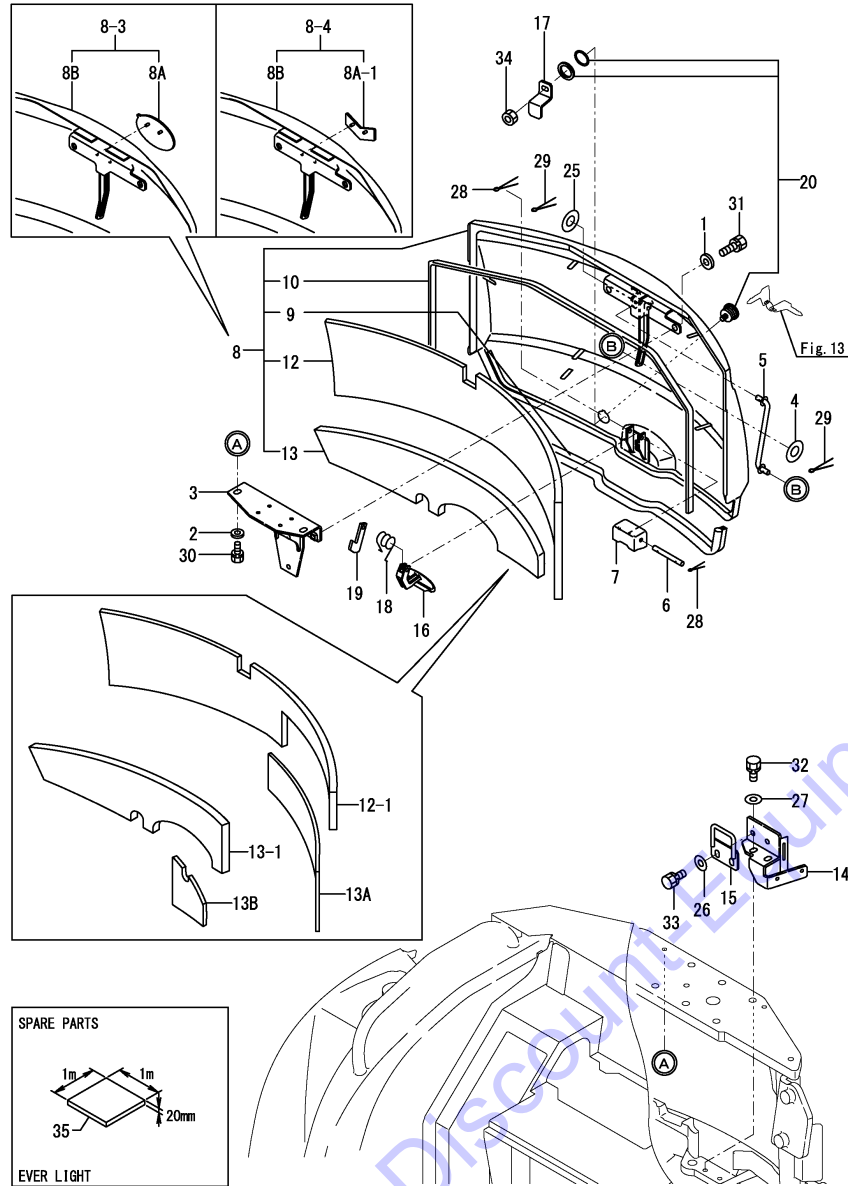
(D)=
 (E)=
 (F)=



No.	Lev.	Parts No.	Description	Q'ty						I	R
				(A)	(B)	(C)	(D)	(E)	(F)		
1	1	1A8160-63401	SEATBELT ASSY	1	1	1					
4	1	172A77-64270	SPRING	4	4	4					
5	1	22137-100000	WASHER, 10	6	6	6					
6	1	26116-100352	BOLT, M10X 35 PLATED	2	2	2					
7	1	26716-100002	NUT, M10	4	4	4					

Go to Discount-Equipment.com to order your parts

Fig.37. BONNET(1)



(A)=VIO20-3(US)
(B)=VIO20-3(AS)
(C)=VIO20-3(NZ)

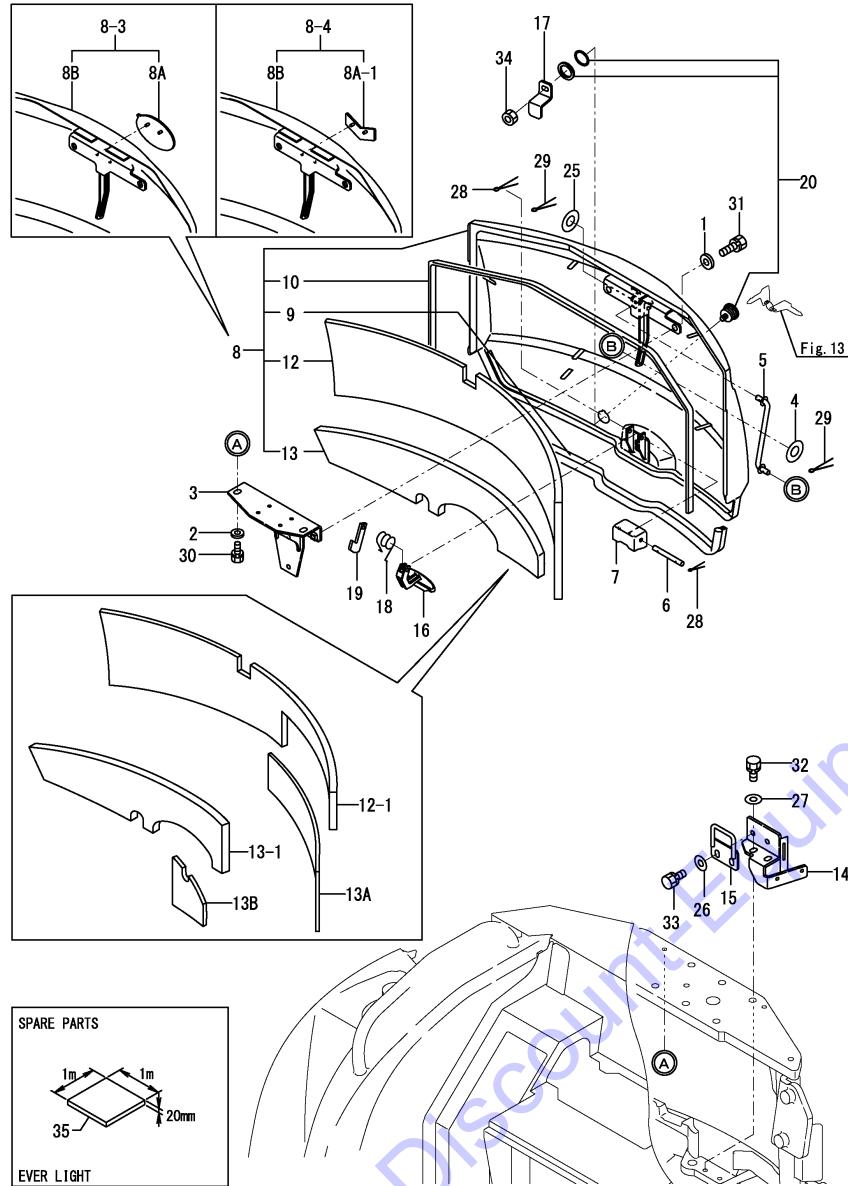
(D)=
(E)=
(F)=

No.	Lev.	Parts No.	Description	Q'ty						I	R
				(A)	(B)	(C)	(D)	(E)	(F)		
1	1	194145-04810	WASHER, 10	2	2	2					
2	1	194145-04810	WASHER, 10	2	2	2					
3	1	172458-11552	BRACKET ASSY	1	1	1					
4	1	1A1380-62160	WASHER, BELT COVER	1	1	1					
5	1	172444-64730	ROD ASSY, STOPPER	1	1	1					
6	1	172458-65050	SHAFT	1	1	1					
7	1	172458-65060	COVER, LOCK	1	1	1					
8	1	172487-65100-1	BONNET	1	1	1					1
8-1	1	172487-65101-1	BONNET	1	1	1					N 1
		(A=M 33952) (B=M 33952) (C=M 33952)									
8-2	1	172487-65101-2	BONNET A ASSY(2J)	1	1	1					S 1
		(A=M34345) (B=M34345) (C=M34345)									
8-3	1	172A23-08450	BONNET KIT, Y	1	1	1					S 1
		(A=M45501) (B=M45501) (C=M45501)									
8-4	1	172A23-08451	BONNET KIT, Y D	1	1	1					S 1
		(A=MEF001) (B=MEF001) (C=MEF001)									
8A	2	172A64-03050	EMBLEM ASSY	1	1	1					W
		(A=M45501) (B=M45501) (C=M45501)									
8A-1	2	172A64-03400	EMBLEM ASSY,FY L2 Y	1	1	1					S
		(A=MEF001) (B=MEF001) (C=MEF001)									
8B	2	172A23-65600	BONNET ASSY	1	1	1					W 1
		(A=M45501) (B=M45501) (C=M45501)									
9	3	172458-65070	SEAL	1	1	1					
10	3	172458-65080	RUBBER, SEAL	1	1	1					
12	3	172487-65110	SEAL	1	1	1					
12-1	3	172487-65111	SEAL A	1	1	1					F 3
		(A=M 33952) (B=M 33952) (C=M 33952)									
13	3	172487-65120	SEAL	1	1	1					
13-1	3	172487-65121	SEAL B	1	1	1					F 4
		(A=M 33952) (B=M 33952) (C=M 33952)									
13A	3	172487-65130	INSURATOR	1	1	1					W
		(A=M 33952) (B=M 33952) (C=M 33952)									
13B	3	172487-65140	INSURATOR	1	1	1					W
		(A=M 33952) (B=M 33952) (C=M 33952)									
13C	1	172458-03160	LABEL, REAR	1	1	1					2
13C-1	1	172A23-03790	LABEL,REAR	1	1	1					S 2
		(A=MEF001) (B=MEF001) (C=MEF001)									
13D	1	172437-03380	LABEL, SWING AREA	1	1	1					2
13D-1	1	172437-03381	LABEL, SWING AREA	1	1	1					N 2
		(A=M/#31399) (B=M/#31399) (C=M/#31399)									
13E	1	172437-03401	LABEL (ENG COVER US	1	1	1					2
13E-1	1	172437-03402	LABEL, ENGINE COVER	1	1	1					N 2
		(A=M/#31399) (B=M/#31399) (C=M/#31399)									
13F	1	172437-03421	LABEL, MUFFLER	1	1	1					2
13F-1	1	172437-03422	LABEL, MUFFLER	1	1	1					N 2
		(A=M/#31399) (B=M/#31399) (C=M/#31399)									
14	1	172456-65150	BRACKET, LOCK	1	1	1					
14-1	1	172456-65150-1	BRACKET, LOCK	1	1	1					S
		(A=M/#32643) (B=M/#32643) (C=M/#32643)									
15	1	172456-65171	BRACKET B, LOCK	1	1	1					
16	1	172187-65210	LEVER ASSY, LOCK	1	1	1					

Remarks

- (1) Attach the No.13C, 13D, 13E & 13F label to this part.
- (2) Label is not illustrated.
- (3) Interchangeable by simultaneous replacement with No.13A.
- (4) Interchangeable by simultaneous replacement with No.13B.

Fig.37. BONNET(1)



(A)=VIO20-3(US)
 (B)=VIO20-3(AS)
 (C)=VIO20-3(NZ)

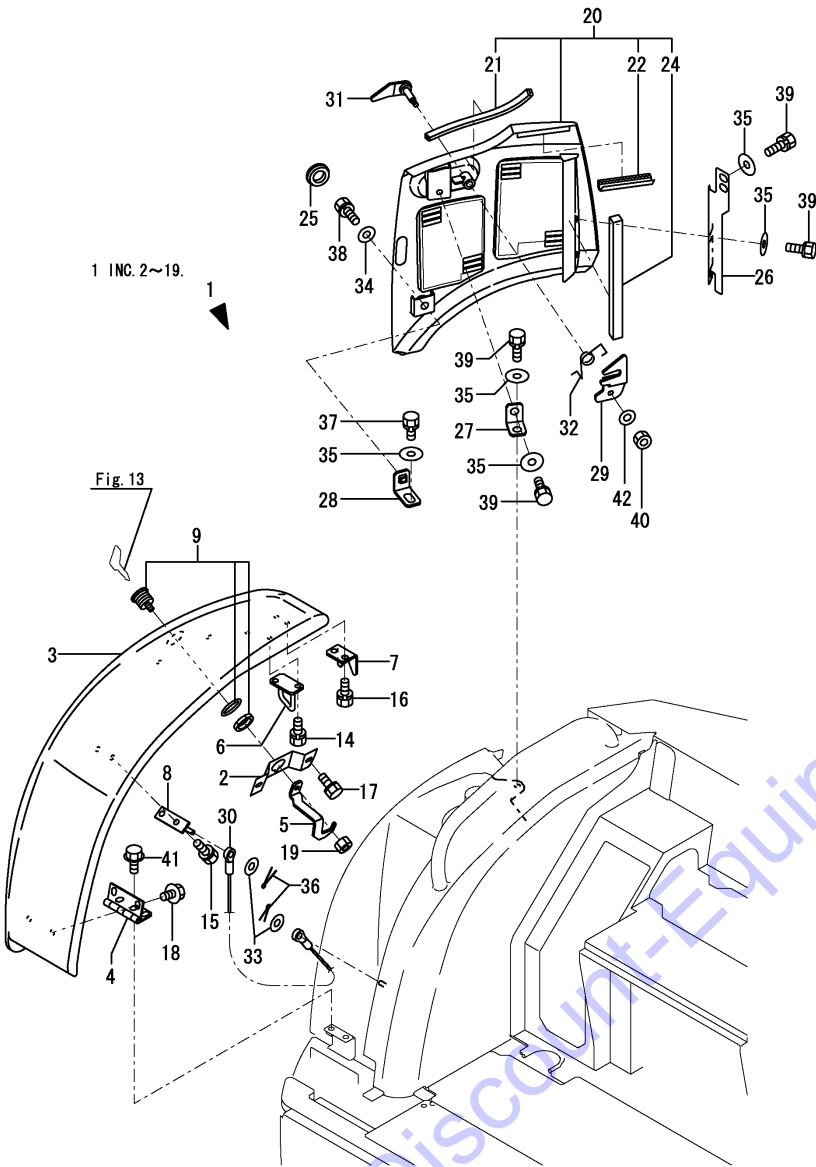
(D)=
 (E)=
 (F)=

No.	Lev.	Parts No.	Description	Q'ty						I	R
				(A)	(B)	(C)	(D)	(E)	(F)		
17	1	172458-65271	PLATE, LOCK	1	1	1					
18	1	172734-65270	SPRING, CATCH	1	1	1					
19	1	172124-65480	CATCHER	1	1	1					
20	1	172164-66170	KEY ASSY, CYLINDER	1	1	1					
25	1	22137-080000	WASHER, 8	1	1	1					
26	1	22137-100000	WASHER, 10	2	2	2					
27	1	22137-100000	WASHER, 10	2	2	2					
28	1	22417-200200	PIN, COTTER 2.0X20	2	2	2					
29	1	22417-200200	PIN, COTTER 2.0X20	2	2	2					
30	1	26013-100252	BOLT, M10X 25	2	2	2					
31	1	26013-100252	BOLT, M10X 25	2	2	2					
32	1	26013-100252	BOLT, M10X 25	2	2	2					
33	1	26013-100252	BOLT, M10X 25	2	2	2					
34	1	26347-100002	NUT, M10	1	1	1					
35	1	172478-65750	SPONGE	1	1	1					

Remarks

- (1) Attach the No.13C, 13D, 13E & 13F label to this part.
- (2) Label is not illustrated.
- (3) Interchangeable by simultaneous replacement with No.13A.
- (4) Interchangeable by simultaneous replacement with No.13B.

Fig.38. BONNET(2)



Remarks

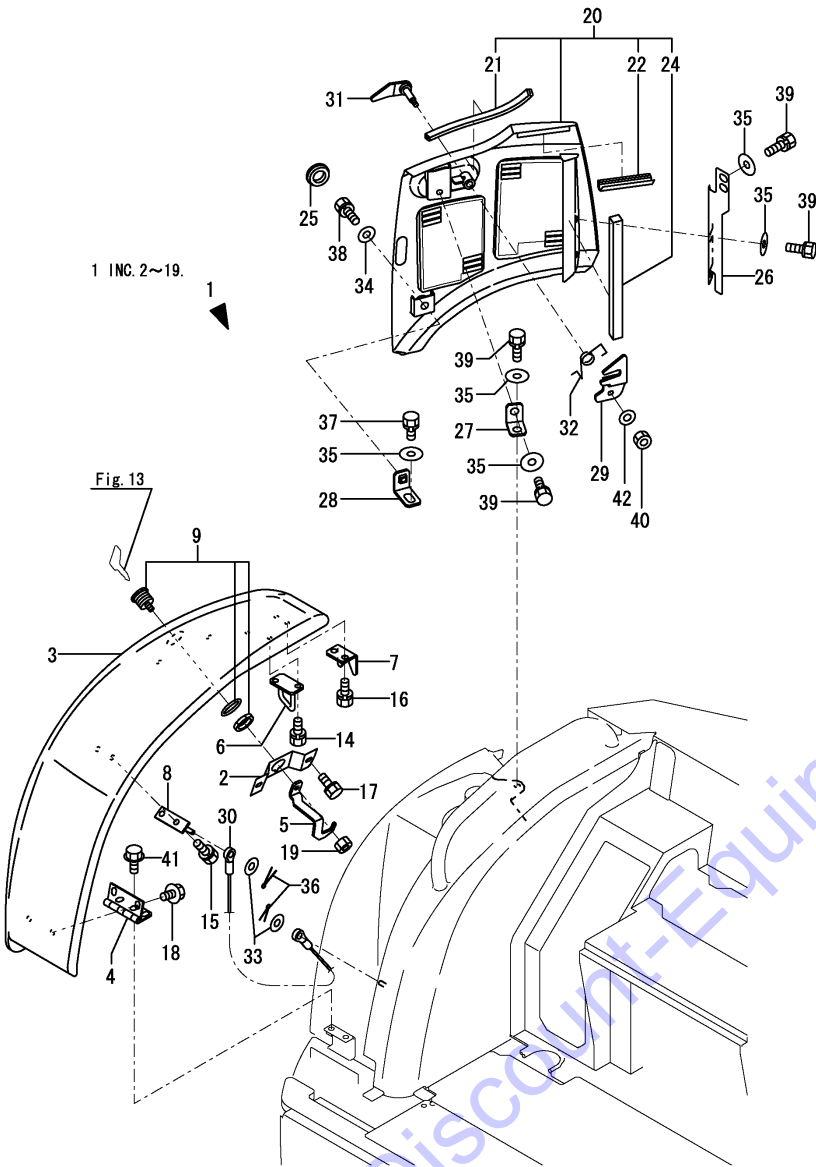
- (1) Attach the No.19A & 19B label to this part.
- (2) Attach the No.24A label to this part.
- No.1, 3 : Color = NEW PERMANENT YELLOW.
- No.1-1, 3-1 : Color = TURMERIC YELLOW.
- No.1-2, 3-2 : Color = BLACK.
- (3) Label is not illustrated.

(A)=VIO20-3(US)
(B)=VIO20-3(AS)
(C)=VIO20-3(NZ)

(D)=
(E)=
(F)=

No.	Lev.	Parts No.	Description	Q'ty						I	R	
				(A)	(B)	(C)	(D)	(E)	(F)			
1	1	172469-65490	BONNET ASSY	1	1	1					W	2
		(A=M/#32722) (B=M/#32722) (C=M/#32722)										
1-1	1	172A23-65490	BONNET ASSY,B TY	1	1	1					S	2
		(A=M45501) (B=M45501) (C=M45501)										
1-2	1	172A36-65530	BONNET ASSY,B BK	1	1	1					S	2
		(A=MEF001) (B=MEF001) (C=MEF001)										
2	2	172455-65230	PLATE, KEY	1	1	1						
3	2	172469-65500	BONNET	1	1	1						2
3-1	2	172A23-65500	BONNET,B Y	1	1	1					S	2
		(A=M45501) (B=M45501) (C=M45501)										
3-2	2	172A36-65540	BONNET B,BLACK	1	1	1					S	2
		(A=MEF001) (B=MEF001) (C=MEF001)										
4	2	172456-65511-1	HINGE, BONNET	1	1	1						
4-1	2	172456-65511-2	HINGE, BONNET	1	1	1					S	
		(A=M/#32643) (B=M/#32643) (C=M/#32643)										
4-2	2	172456-65511-3	HINGE, BONNET	1	1	1						N
		(A=*2005.02.) (B=*2005.02.) (C=*2005.02.)										
5	2	172487-65520	PLATE,HOOK	1	1	1						
6	2	172458-65540	PLATE ASSY, STOPPER	1	1	1						
7	2	172458-65560	PLATE, GUIDE	1	1	1						
8	2	172458-65640	STAY ASSY, WIRE	1	1	1						
9	2	172164-66170	KEY ASSY, CYLINDER	1	1	1						
14	2	26013-100202	BOLT, M10X 20	2	2	2						
15	2	26013-100202	BOLT, M10X 20	2	2	2						
16	2	26013-100202	BOLT, M10X 20	2	2	2						
16-1	2	26014-100202	BOLT, M10X 20	2	2	2						N
		(A=M/#32722) (B=M/#32722) (C=M/#32722)										
17	2	26013-100202	BOLT, M10X 20	2	2	2						
17-1	2	26014-100202	BOLT, M10X 20	2	2	2						N
		(A=M/#32722) (B=M/#32722) (C=M/#32722)										
18	2	26106-100162	BOLT, M10X 16 PLATED	2	2	2						
19	2	26347-100002	NUT, M10	1	1	1						
19A	1	172437-03500	LABEL, FUEL	1	1	1						3
19A-1	1	172437-03501	LABEL, FUEL	1	1	1					N	3
		(A=M/#31399) (B=M/#31399) (C=M/#31399)										
19B	1	172437-03360	LABEL,BATTERY	1	1	1						3
19B-1	1	172437-03361	LABEL, BATTERY	1	1	1					N	3
		(A=M/#31399) (B=M/#31399) (C=M/#31399)										
20	1	172456-65302-1	BONNET	1	1	1						1
20-1	1	172456-65302-3	BONNET R ASSY (2J)	1	1	1					S	1
		(A=M34345) (B=M34345) (C=M34345)										
20-2	1	172456-65302-Y	BONNET R ASSY	1	1	1					S	1
		(A=M45501) (B=M45501) (C=M45501)										
21	2	172434-61190	TRIM	1	1	1						
22	2	172458-61500	RUBBER, SEAL	1	1	1						
24	2	172456-65890	SEAL 20X20	1	1	1						
24A	1	172463-03330	LABEL,COVER	1	1	1						3
25	1	172463-65410	PLUG	1	1	1						
25-1	1	172A21-61600	PLUG	1	1	1						N
		(A=*2012.05.) (B=*2012.05.) (C=*2012.05.)										
26	1	172456-65441	BRACKET A	1	1	1						

Fig.38. BONNET(2)



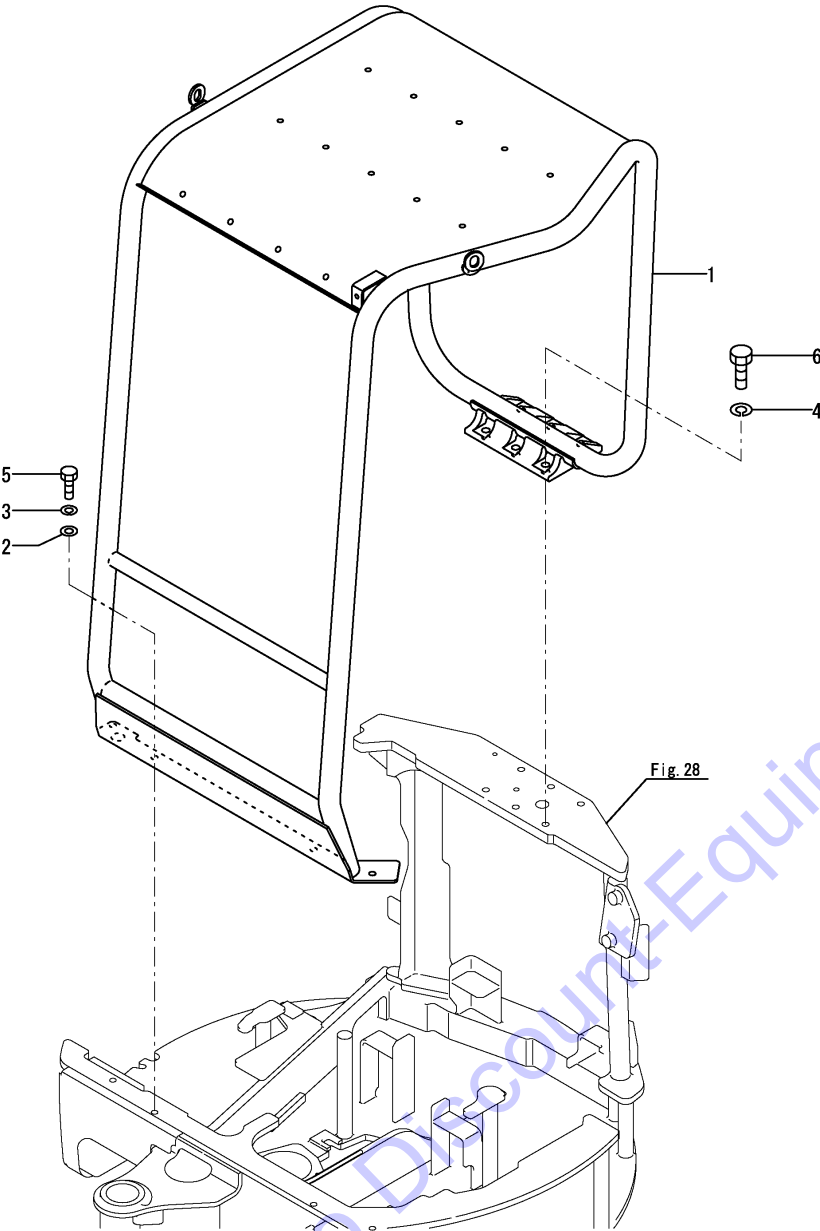
(A)=VIO20-3(US)
(B)=VIO20-3(AS)
(C)=VIO20-3(NZ)

(D)=
(E)=
(F)=

No.	Lev.	Parts No.	Description	Q'ty						I	R
				(A)	(B)	(C)	(D)	(E)	(F)		
27	1	172456-65450	BRACKET B, BONNET R	1	1	1					
28	1	172456-65461	BRACKET ASSY	1	1	1					
29	1	172456-65520	PLATE, HOOK	1	1	1					
30	1	172458-65600	CABLE	1	1	1					
31	1	172458-65610	HOOK ASSY	1	1	1					
32	1	172156-65690	SPRING, STOPPER	1	1	1					
33	1	22137-080000	WASHER, 8	2	2	2					
34	1	22137-100000	WASHER, 10	1	1	1					
35	1	22157-100000	WASHER, 10	7	7	7					
35-1	1	22157-100000	WASHER, 10	6	6	6					K
		(A=M/#32722) (B=M/#32722) (C=M/#32722)									
36	1	22417-200200	PIN, COTTER 2.0X20	2	2	2					
37	1	26013-100202	BOLT, M10X 20	1	1	1					
38	1	26013-100252	BOLT, M10X 25	1	1	1					
39	1	26013-100252	BOLT, M10X 25	6	6	6					
39-1	1	26013-100252	BOLT, M10X 25	5	5	5					K
		(A=M/#32722) (B=M/#32722) (C=M/#32722)									
40	1	26347-080002	NUT, M8	1	1	1					
41	1	26106-100162	BOLT, M10X 16 PLATED	2	2	2					W
		(A=M/#32722) (B=M/#32722) (C=M/#32722)									
42	1	22137-080000	WASHER, 8	1	1	1					W
		(A=*2011.01.) (B=*2011.01.) (C=*2011.01.)									

Remarks
 (1) Attach the No.19A & 19B label to this part.
 (2) Attach the No.24A label to this part.
 No.1, 3 : Color = NEW PERMANENT YELLOW.
 No.1-1, 3-1 : Color = TURMERIC YELLOW.
 No.1-2, 3-2 : Color = BLACK.
 (3) Label is not illustrated.

Fig.40. CANOPY



(A)=VIO20-3(US)
(B)=VIO20-3(AS)
(C)=VIO20-3(NZ)

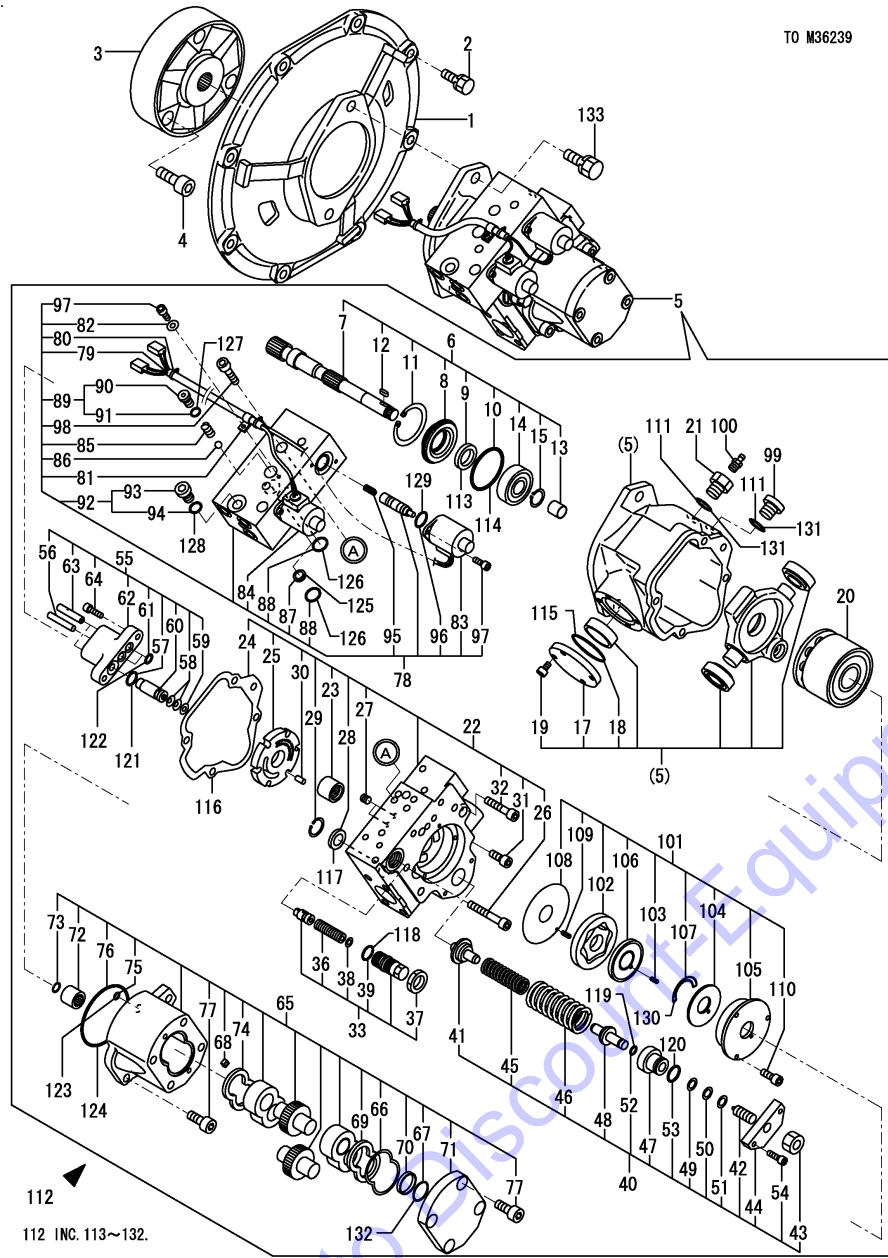
(D)=
(E)=
(F)=

No.	Lev.	Parts No.	Description	Q'ty						I	R
				(A)	(B)	(C)	(D)	(E)	(F)		
1	1	172469-66300	CANOPY ASSY, ROPS	1	1	1					1
1-1	1	172469-66300-1	CANOPY ASSY, ROPS	1	1	1					S 1
		(A=M/#32643) (B=M/#32643) (C=M/#32643)									
1-2	1	172469-66300-N	CANOPY ASSY, ROPS	1	1	1					S 1
		(A=MEF001) (B=MEF001) (C=MEF001)									
1A	1	172469-03131	LABEL, LIFT US	1							2
1A-1	1	172469-03132	LABEL, LIFT US	1							N 2
		(A=M33952)									
1B	1	172490-03200	LABEL, OPERATION	1	1	1					2
1C	1	172437-03310	LABEL,SLOPE	1	1	1					2
1C-1	1	172437-03311	LABEL, SLOPE US	1	1	1					N 2
		(A=M/#31399) (B=M/#31399) (C=M/#31399)									
1C-2	1	172437-03312	LABEL, SLOPE	1	1	1					N 2
		(A=M/#32044) (B=M/#32044) (C=M/#32044)									
1D	1	172437-03341	LABEL,TRANSPORT	1	1	1					2
1D-1	1	172437-03342	LABEL, TRANSPORT US	1	1	1					N 2
		(A=M/#31399) (B=M/#31399) (C=M/#31399)									
1D-2	1	172437-03343	LABEL, TRANSPORT	1	1	1					N 2
		(A=M/#32637) (B=M/#32637) (C=M/#32637)									
1E	1	172437-03371	LABEL	1	1	1					2
1E-1	1	172437-03372	LABEL, NEUTRAL	1	1	1					N 2
		(A=M/#31399) (B=M/#31399) (C=M/#31399)									
1F	1	172437-03440	LABEL,ROPS	1	1	1					2
1F-1	1	172437-03441	LABEL, ROPS	1	1	1					N 2
		(A=M/#31399) (B=M/#31399) (C=M/#31399)									
1G	1	172437-03450	LABEL,SEAT BELT	1	1	1					2
1G-1	1	172437-03451	LABEL, SEAT BELT	1	1	1					N 2
		(A=M/#31399) (B=M/#31399) (C=M/#31399)									
1H	1	172437-03600	LABEL	1	1	1					2
1H-1	1	172437-03601	LABEL, 2-WAY US	1	1	1					N 2
		(A=M/#31399) (B=M/#31399) (C=M/#31399)									
1I	1	172469-03152	LABEL,LIFT Q US	1	1	1					2
1I-1	1	172469-03153	LABEL, LIFT Q US	1	1	1					N 2
		(A=M/#31399) (B=M/#31399) (C=M/#31399)									
1I-2	1	172469-03154	LABEL, LIFT Q US	1	1	1					N 2
		(A=M33952) (B=M33952) (C=M33952)									
1J	1	172B16-03180	LABEL,BRANDLOGO 200	1	1	1					W 2
		(A=MEF001) (B=MEF001) (C=MEF001)									
2	1	172149-66550	WASHER	5	5	5					
2-1	1	172149-66550	WASHER	4	4	4					K
		(A=M/#31474) (B=M/#31474) (C=M/#31474)									
3	1	22217-120000	WASHER, SPRING 12	5	5	5					
3-1	1	22217-120000	WASHER, SPRING 12	4	4	4					K
		(A=M/#31474) (B=M/#31474) (C=M/#31474)									
4	1	22217-160000	WASHER, SPRING 16	6	6	6					
5	1	26076-120402	BOLT, 10.912X 40	5	5	5					
5-1	1	26076-120402	BOLT, 10.912X 40	4	4	4					K
		(A=M/#31474) (B=M/#31474) (C=M/#31474)									
6	1	26076-160402	BOLT, 10.916X 40	6	6	6					

Remarks

- (1) Attach the No.1A, 1B, 1C, 1D, 1E, 1F, 1G, 1H, 1I & 1J label to this part.
- (2) Label is not illustrated.

Fig.41. HYDRAULIC PUMP & JOINT(TO M36239)



TO M36239

(A)=VIO20-3(US)
(B)=VIO20-3(AS)
(C)=VIO20-3(NZ)

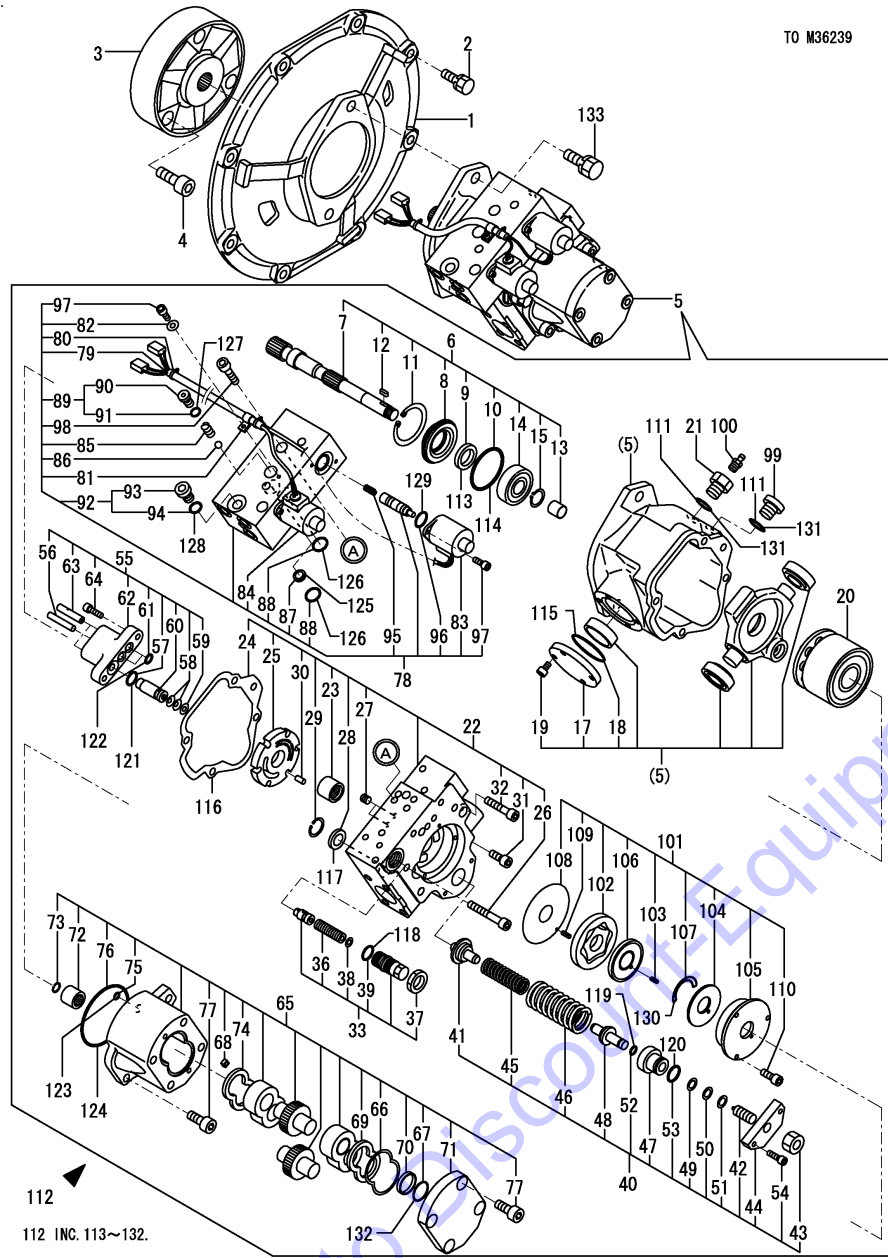
(D)=
(E)=
(F)=

No.	Lev.	Parts No.	Description	Q'ty						I	R
				(A)	(B)	(C)	(D)	(E)	(F)		
1-1	1	172168-71101-3	COVER, FLYWHEEL	1							
1-1	1	172168-71101-4	COVER, FLYWHEEL	1							S
(A=M/#32643)											
2	1	26013-100302	BOLT, M10X 30	8							
3	1	172165-71200	COUPLING	1							
4	1	26450-120402	BOLT, M12X 40	3							
5	1	172456-73100	PUMP ASSY	1							
6	2	172456-73110	SHAFT ASSY	1							
7	3	172456-73120	SHAFT	1							
8	3	172456-73130	SEAL, CASE	1							
9	3	172456-73140	SEAL, OIL	1							
10	3	172456-73150	O-RING	1							
11	3	172456-73160	CIRCLIP	1							
12	3	172456-73170	KEY	1							
13	3	172456-73180	PIN BUSH	1							
14	3	172179-73220	BEARING,	1							
15	3	22242-000200	RING, 20	1							
17	3	172179-73250	COVER	1							
18	3	24321-000450	O-RING, 1AG45.0	1							
19	3	26450-060122	BOLT, M6X 12	4							
20	2	172179-73130	ROTARY SET	1							
21	2	172179-73190	BUSHING	1							
22	2	172456-73280	COVER ASSY	1							
23	3	172179-73270	BEARING	1							
24	3	172179-73280	GASKET	1							
25	3	172456-73290	CONTROL PLATE	1							
26	3	172650-73450	BOLT,8X55HEX SOCKET	2							
27	3	172456-73600	ORIFICE	2							
28	3	172456-73610	FILTER	1							
29	3	172164-73670	CIRCLIP	1							
30	3	22312-060120	PIN, PARALLEL M6X12	2							
31	3	26450-080202	BOLT, M8X 20	2							
32	3	26450-080402	BOLT, M8X 40	1							
33	2	172164-73470	VALVE ASSY, RELIEF	1							
36	3	172164-73380	SPRING	1							
37	3	172164-73390	NUT	1							
38	3	172164-73510	SEAT, SPRING	1							
39	3	172141-74430	O-RING	1							
40	2	172456-73650	SPRING ASSY, CONTROL	1							
41	3	172179-73400	SEAT, SPRING	1							
42	3	172179-73430	ADJUST SCREW	1							
43	3	172179-73460	NUT M 6	1							
44	3	172456-73660	COVER	1							
45	3	172456-73670	SPRING	1							
46	3	172456-73680	SPRING	1							
47	3	172456-73690	SEAT, SPRING	1							
48	3	172456-73700	PLATE, SPRING	1							
49	3	172456-73710	SHIM	1							
50	3	172456-73720	SHIM	1							
51	3	172456-73730	SHIM	1							
52	3	24311-000090	O-RING, 1AP9.0	1							

Remarks

- (1)For second gear traveling.
- (2)For safety lock.

Fig.41. HYDRAULIC PUMP & JOINT(TO M36239)



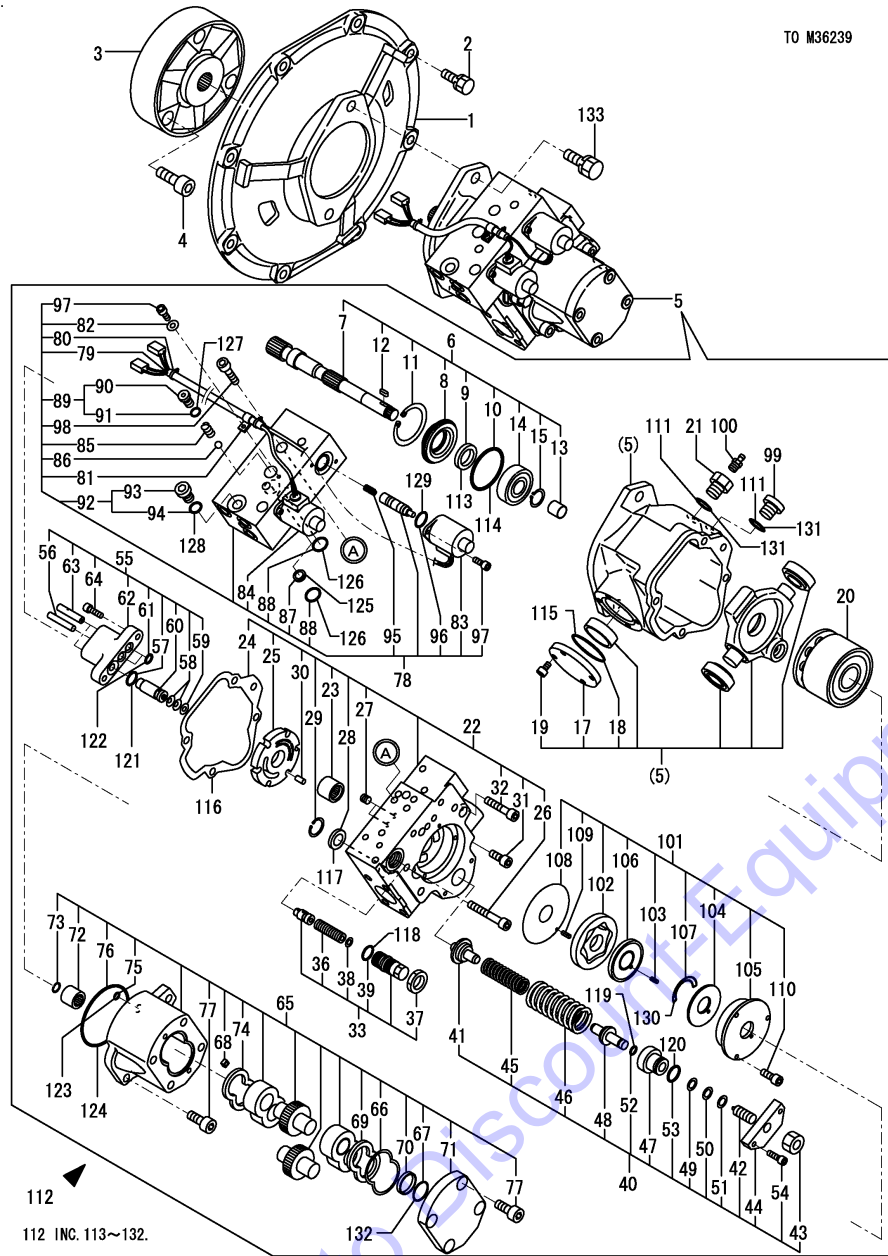
No.	Lev.	Parts No.	Description	Q'ty						I	R
				(A)	(B)	(C)	(D)	(E)	(F)		
53	3	24311-000180	O-RING, 1AP18.0	1							
54	3	26450-060202	BOLT, M6X 20	1							
55	2	172456-73740	PISTON ASSY, CONTROL	1							
56	3	172168-71500	PARALLEL PIN	1							
57	3	172168-71510	O-RING	1							
58	3	172168-71520	SPRING	2							
59	3	172168-71530	RETAINER	1							
60	3	172179-73510	PISTON	1							
61	3	172179-73540	O-RING	2							
62	3	172456-73750	CYLINDER	1							
63	3	172456-73770	PISTON, HYDRAULIC	2							
64	3	26450-060202	BOLT, M6X 20	2							
65	2	172456-73790	PUMP ASSY, GEAR	1							
66	3	172141-71520	RING	1							
67	3	172141-71550	O-RING	2							
68	3	172141-71560	RING	2							
69	3	172141-73220	PLATE	1							
70	3	172141-73230	GUIDE	2							
71	3	172456-73800	COVER	1							
72	3	172456-73810	COUPLING	1							
73	3	172456-73840	CIRCLIP	1							
74	3	172456-73850	PLATE	1							
75	3	24315-000060	O-RING, 1BP6.0	1							
76	3	24321-000900	O-RING, 1AG90.0	1							
77	3	26450-100252	BOLT, M10X 25	6							
78	2	172456-73860	VALVE ASSY	1							
79	3	172164-73030	COVER, SUPPORT	1							
80	3	172164-73040	BAND	2							
81	3	172164-73490	CLUMP	1							
82	3	172164-73500	WASHER	1							
83	3	172456-73580	VALVE, SOLENOID	1							1
83-1	3	172989-73160	VALVE, SOLENOID	1							R 1
(A=MXXXXX)											
84	3	172456-73590	VALVE, SOLENOID	1							2
84-1	3	172989-73150	VALVE, SOLENOID	1							R 2
(A=MXXXXX)											
85	3	172456-73880	SPRING	1							
86	3	172456-73900	BALL, STEEL	1							
87	3	172456-73930	ELEMENT, FILTER	1							
88	3	172456-73960	O-RING	2							
89	3	172142-74590	PLUG	1							
90	4	172142-74650	PLUG	1							
91	4	24315-000080	O-RING, 1BP8.0	1							
92	3	172142-74600	PLUG	1							
93	4	172142-74660	PLUG	1							
94	4	24315-000110	O-RING, 1BP11.0	1							
95	3	172165-74740	SPRING	2							
96	3	24311-000160	O-RING, 1AP16.0	2							
97	3	26450-040102	BOLT, M4X 10	5							
98	3	26450-080302	BOLT, M8X 30	2							
99	2	172142-74670	PLUG	1							

Remarks
 (1)For second gear traveling.
 (2)For safety lock.

Fig.41. HYDRAULIC PUMP & JOINT(TO M36239)

(A)=VIO20-3(US)
 (B)=VIO20-3(AS)
 (C)=VIO20-3(NZ)

(D)=
 (E)=
 (F)=

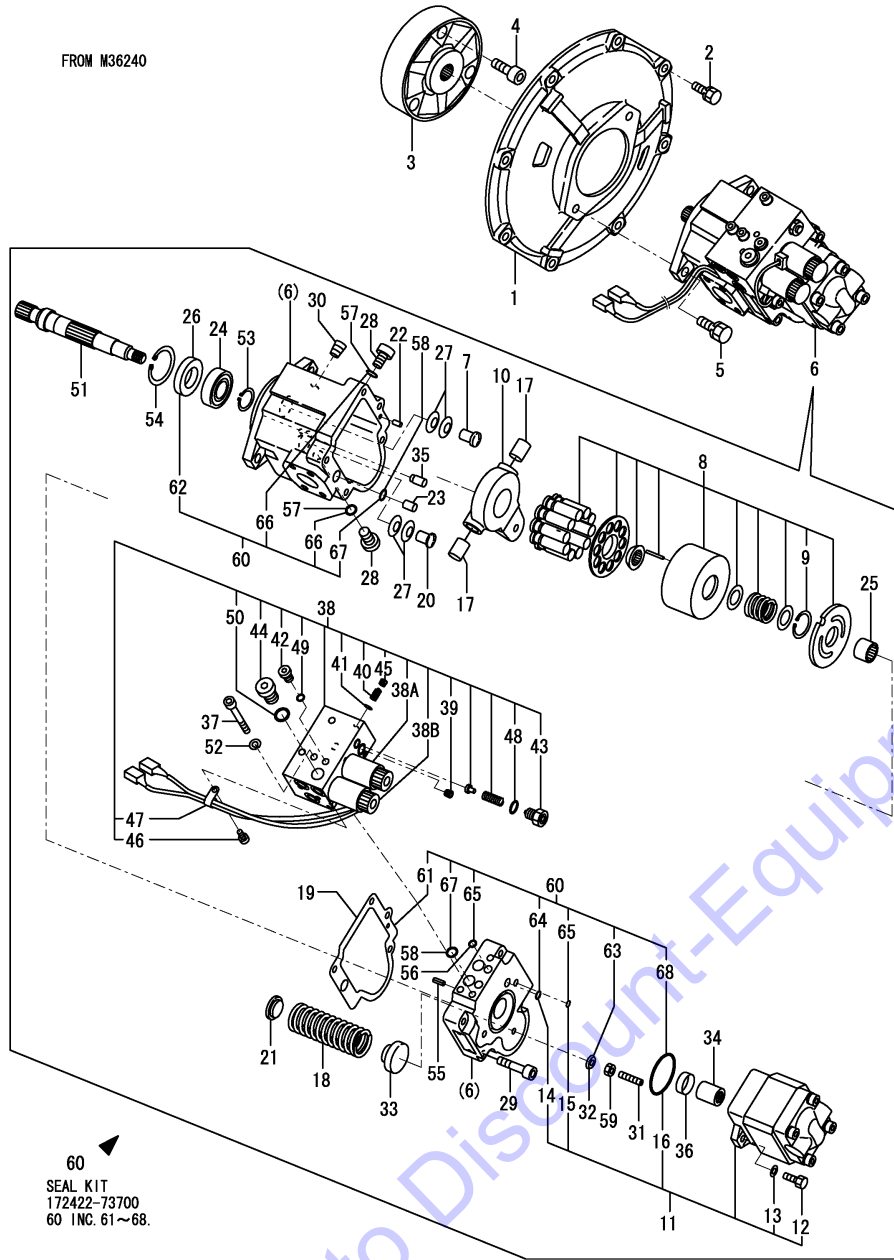


TO M36239

No.	Lev.	Parts No.	Description	Q'ty						I	R
				(A)	(B)	(C)	(D)	(E)	(F)		
100	2	172456-75430	PLUG	1							
101	2	172456-75440	PUMP ASSY, TROCHOID	1							
102	3	172456-75450	GEAR	1							
103	3	172456-75460	PIN, SPRING	1							
104	3	172456-75480	PLATE	1							
105	3	172187-75860	CASE	1							
106	3	172187-75870	PLATE	1							
107	3	172187-75880	O-RING	1							
108	3	172187-75910	PLATE	1							
109	3	172187-75920	PIN, SPRING	1							
110	3	26450-050122	BOLT, M5X 12	3							
111	2	24315-000140	O-RING, 1BP14.0	2							
112	1	172456-73070	SEAL SET	1							
113	2	172456-73140	SEAL, OIL	1							
114	2	172456-73150	O-RING	1							
115	2	24321-000450	O-RING, 1AG45.0	1							
116	2	172179-73280	GASKET	1							
117	2	172456-73610	FILTER	1							
118	2	172141-74430	O-RING	1							
119	2	24311-000090	O-RING, 1AP9.0	1							
120	2	24311-000180	O-RING, 1AP18.0	1							
121	2	172168-71510	O-RING	1							
122	2	172179-73540	O-RING	2							
123	2	24315-000060	O-RING, 1BP6.0	1							
124	2	24321-000900	O-RING, 1AG90.0	1							
125	2	172456-73930	ELEMENT, FILTER	1							
126	2	172456-73960	O-RING	2							
127	2	24315-000080	O-RING, 1BP8.0	1							
128	2	24315-000110	O-RING, 1BP11.0	1							
129	2	24311-000160	O-RING, 1AP16.0	2							
130	2	172187-75880	O-RING	1							
131	2	24315-000140	O-RING, 1BP14.0	2							
132	2	172141-71550	O-RING	2							
133	1	26013-120302	BOLT, M12X 30	2							

Remarks
 (1)For second gear traveling.
 (2)For safety lock.

Fig.83. (41A)HYDRAULIC PUMP & JOINT(FROM M36240)



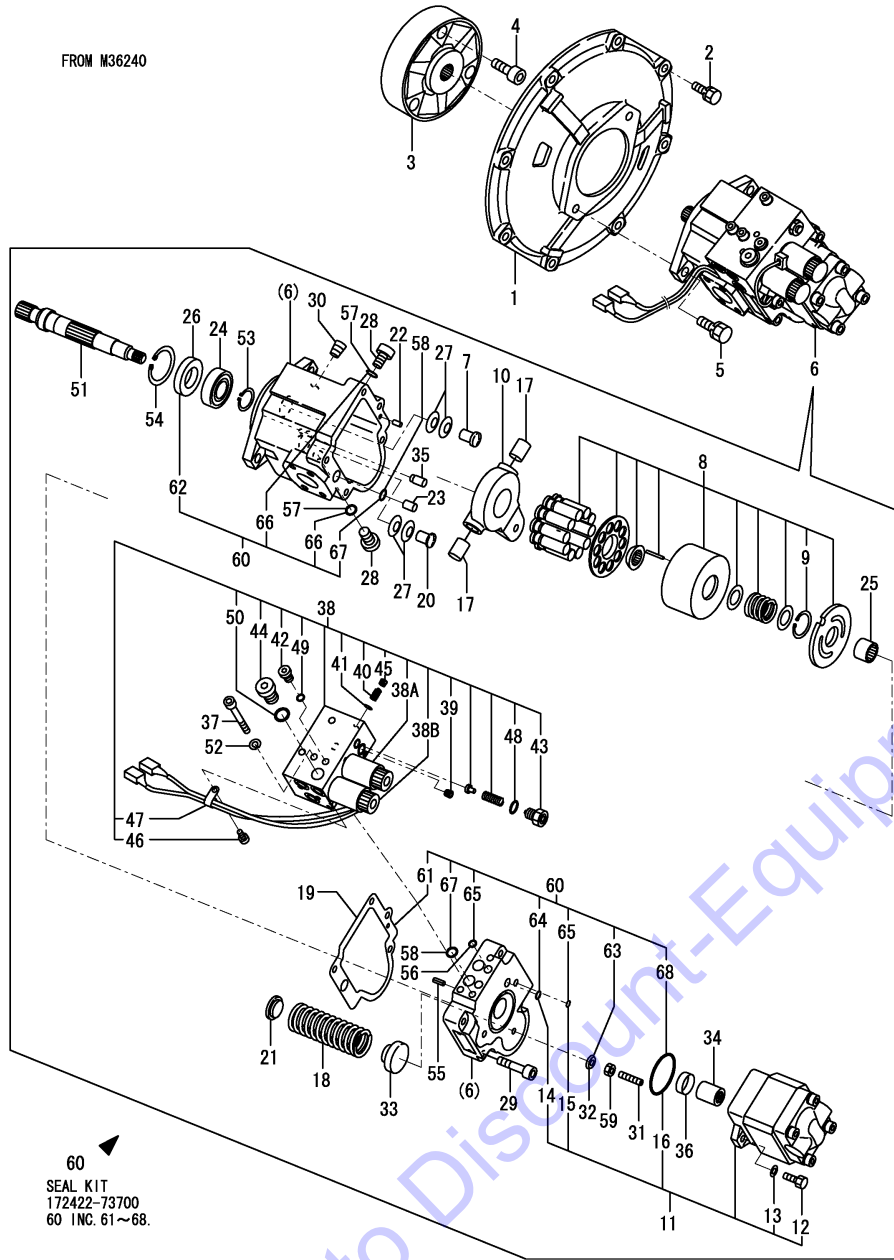
(A)=VIO20-3(US)
 (B)=VIO20-3(AS)
 (C)=VIO20-3(NZ)

(D)=
 (E)=
 (F)=

No.	Lev.	Parts No.	Description	Q'ty						I	R
				(A)	(B)	(C)	(D)	(E)	(F)		
1	1	172168-71101	COVER, FLYWHEEL	1							
2	1	26013-100302	BOLT, M10X 30	8							
3	1	172165-71200	COUPLING	1							
4	1	26450-120402	BOLT, M12X 40	3							
5	1	26013-120302	BOLT, M12X 30	2							
6	1	172A23-73100	PUMP ASSY	1							
7	2	172450-73110	PIN,STOPPER	1							
8	2	172A23-73110	BARREL KIT	1							
9	3	172448-73190	SNAP RING	1							
10	2	172422-73140	PLATE, SWASH	1							
11	2	172A23-73140	PUMP ASSY	1							
12	3	172450-73120	BOLT	2							
13	3	172450-73130	WASHER	2							
14	3	24315-000070	O-RING, 1BP7.0	1							
15	3	24315-000080	O-RING, 1BP8.0	1							
16	3	24325-000550	O-RING, 1BG55.0	1							
17	2	172422-73160	PIN	2							
18	2	172A23-73160	SPRING	1							
19	2	172422-73170	GASKET	1							
20	2	172448-73180	PIN A,STOPPER	1							
21	2	172422-73200	HOLDER	1							
22	2	172422-73220	PIN	1							
23	2	172422-73280	PIN	1							
24	2	172422-73290	BEARING, BALL	1							
25	2	172422-73500	BEARING, NEEDLE	1							
26	2	172422-73510	SEAL, OIL	1							
27	2	172422-73520	SPRING	4							
28	2	172422-73530	PLUG	2							
29	2	172422-73540	BOLT	5							
30	2	172422-73550	PLUG	5							
31	2	172422-73560	SCREW	1							
32	2	172422-73570	WASHER	1							
33	2	172458-73570	GUIDE, SPRING	1							
34	2	172422-73580	COUPLING	1							
35	2	172458-73580	ROD	1							
36	2	172422-73590	COLLAR	1							
37	2	172422-73610	BOLT	3							
38	2	172458-73620	BLOCK ASSY, VALVE	1							
38-1	2	172458-73621	BLOCK ASSY, VALVE	1							N
(A=M46213)											
38A	3	172458-73680	VALVE ASSY	1							1
38B	3	172458-73690	VALVE ASSY	1							2
39	3	172422-73550	PLUG	7							
40	3	172422-73620	SPRING	1							
41	3	172422-73630	FILTER	1							
42	3	172458-73630	PLUG	1							
43	3	172422-73640	ADJUSTER KIT	1							
44	3	172458-73640	PLUG	1							
45	3	172422-73650	PLUG	2							
46	3	172422-73660	BOLT	1							
47	3	172422-73670	CLAMP	1							

Remarks
 (1)For second gear traveling.
 (2)For safety lock.

Fig.83. (41A)HYDRAULIC PUMP & JOINT(FROM M36240)



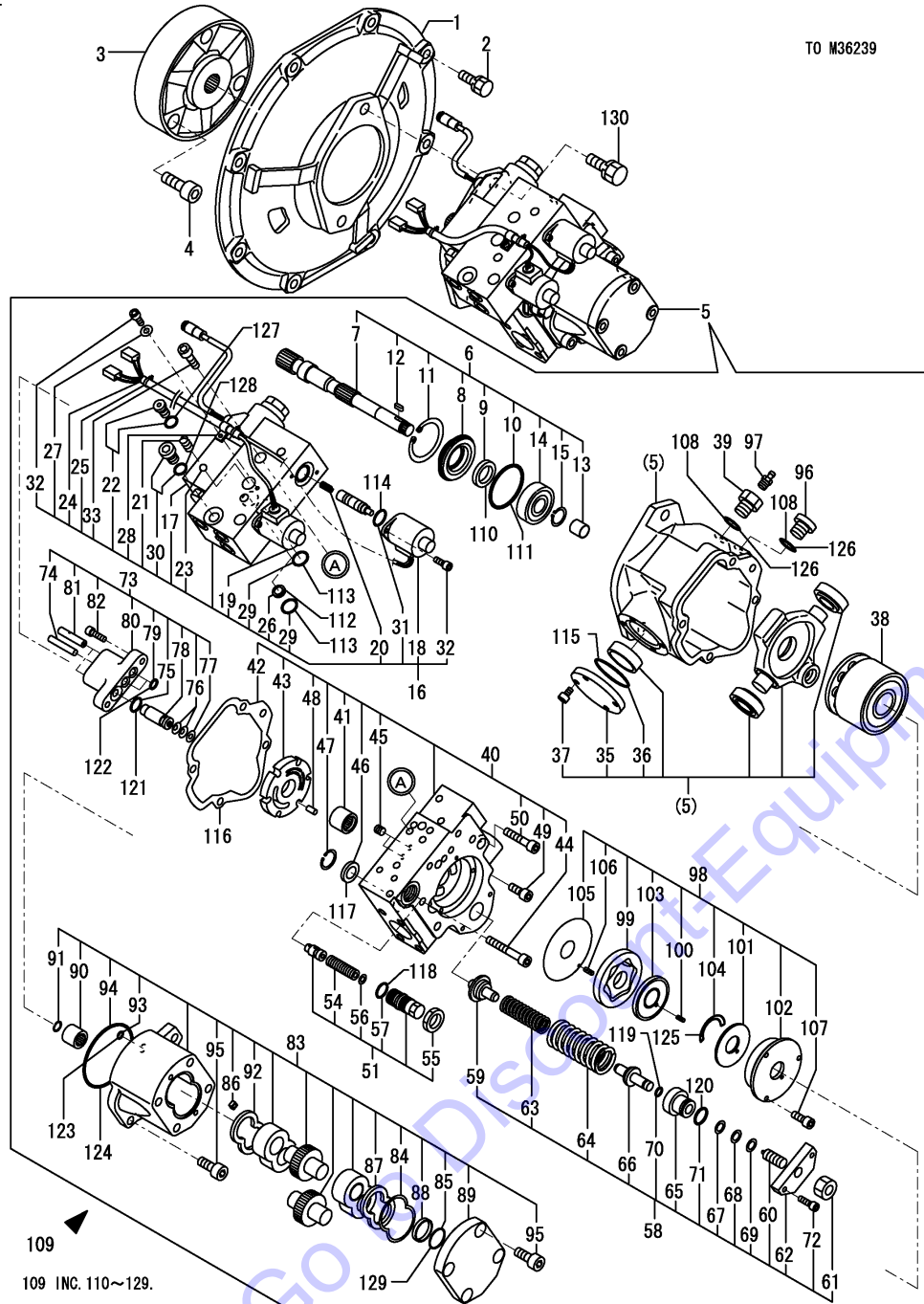
(A)=VIO20-3(US)
(B)=VIO20-3(AS)
(C)=VIO20-3(NZ)

(D)=
(E)=
(F)=

No.	Lev.	Parts No.	Description	Q'ty						I	R
				(A)	(B)	(C)	(D)	(E)	(F)		
48	3	24311-000100	O-RING, 1AP10.0	1							
49	3	24315-000080	O-RING, 1BP8.0	1							
50	3	24315-000140	O-RING, 1BP14.0	1							
51	2	172458-73660	SHAFT	1							
52	2	22212-080000	WASHER 8	3							
53	2	22242-000250	RING, 25	1							
54	2	22252-000520	RING, 52	1							
55	2	22351-060016	PIN, SPRING 6.0X16	1							
56	2	24315-000080	O-RING, 1BP8.0	1							
57	2	24315-000110	O-RING, 1BP11.0	2							
58	2	24315-000120	O-RING, 1BP12.0	3							
59	2	26711-080002	NUT, M8	1							
60	1	172422-73700	SEAL SET, PUMP	1							
61	2	172422-73170	GASKET	1							
62	2	172422-73510	SEAL, OIL	1							
63	2	172422-73570	WASHER	1							
64	2	24315-000070	O-RING, 1BP7.0	1							
65	2	24315-000080	O-RING, 1BP8.0	2							
66	2	24315-000110	O-RING, 1BP11.0	2							
67	2	24315-000120	O-RING, 1BP12.0	3							
68	2	24325-000550	O-RING, 1BG55.0	1							

Remarks
(1)For second gear traveling.
(2)For safety lock.

Fig.42. HYDRAULIC PUMP & JOINT(QUICK COUPLER SPEC.)(TO M36239)



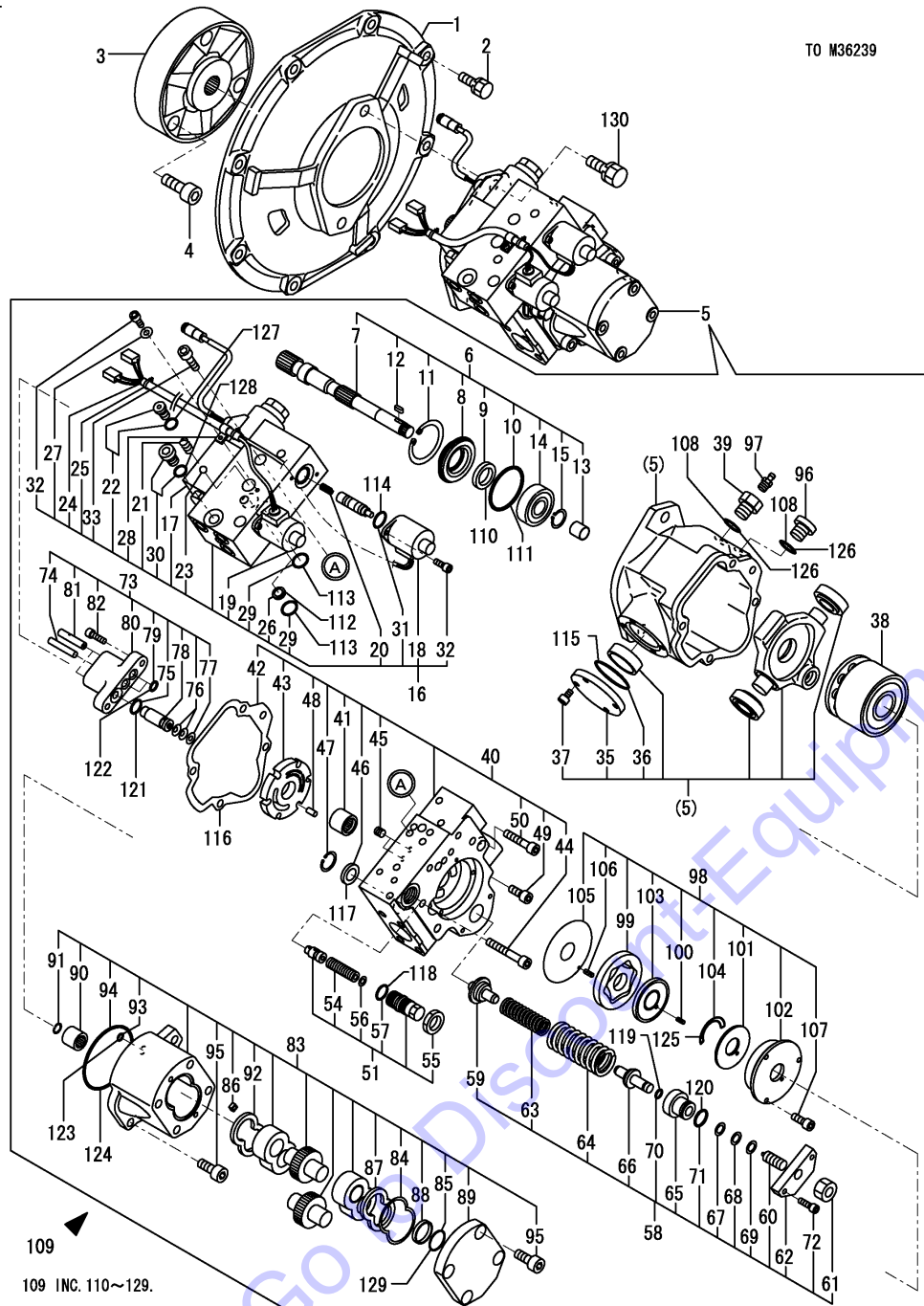
TO M36239

(A)=VIO20-3(US)
(B)=VIO20-3(AS)
(C)=VIO20-3(NZ)

(D)=
(E)=
(F)=

No.	Lev.	Parts No.	Description	Q'ty						I	R
				(A)	(B)	(C)	(D)	(E)	(F)		
1	1	172168-71101-3	COVER, FLYWHEEL	1	1	1					
1-1	1	172168-71101-4	COVER, FLYWHEEL	1	1	1					S
		(A=M/#32643) (B=M/#32643) (C=M/#32643)									
2	1	26013-100302	BOLT, M10X 30	8	8	8					
3	1	172165-71200	COUPLING	1	1	1					
4	1	26450-120402	BOLT, M12X 40	3	3	3					
5	1	172956-73100	PUMP ASSY	1	1	1					
6	2	172456-73110	SHAFT ASSY	1	1	1					
7	3	172456-73120	SHAFT	1	1	1					
8	3	172456-73130	SEAL, CASE	1	1	1					
9	3	172456-73140	SEAL, OIL	1	1	1					
10	3	172456-73150	O-RING	1	1	1					
11	3	172456-73160	CIRCLIP	1	1	1					
12	3	172456-73170	KEY	1	1	1					
13	3	172456-73180	PIN BUSH	1	1	1					
14	3	172179-73220	BEARING,	1	1	1					
15	3	22242-000200	RING, 20	1	1	1					
16	2	172956-73110	VALVE ASSY	1	1	1					
17	3	172956-73121	VALVE, SOLENOID	1	1	1					
18	3	172456-73580	VALVE, SOLENOID	1	1	1					
18-1	3	172989-73160	VALVE, SOLENOID	1	1	1					R
		(A=MXXXXX) (B=MXXXXX) (C=MXXXXX)									
19	3	172456-73590	VALVE, SOLENOID	1	1	1					
19-1	3	172989-73150	VALVE, SOLENOID	1	1	1					R
		(A=MXXXXX) (B=MXXXXX) (C=MXXXXX)									
20	3	172456-73870	SPRING	2	2	2					
21	3	172456-73880	SPRING	1	1	1					
22	3	172456-73890	PLUG ASSY	1	1	1					
23	3	172456-73900	BALL, STEEL	1	1	1					
24	3	172456-73910	COVER	1	1	1					
25	3	172456-73920	BAND	2	2	2					
26	3	172456-73930	ELEMENT, FILTER	1	1	1					
27	3	172456-73940	WASHER	1	1	1					
28	3	172456-73950	CLAMP	1	1	1					
29	3	172456-73960	O-RING	2	2	2					
30	3	172456-73970	PLUG ASSY	1	1	1					
31	3	24311-000160	O-RING, 1AP16.0	2	2	2					
32	3	26450-040102	BOLT, M4X 10	5	5	5					
33	3	26450-080302	BOLT, M8X 30	2	2	2					
35	3	172179-73250	COVER	1	1	1					
36	3	24321-000450	O-RING, 1AG45.0	1	1	1					
37	3	26450-060122	BOLT, M6X 12	4	4	4					
38	2	172179-73130	ROTARY SET	1	1	1					
39	2	172179-73190	BUSHING	1	1	1					
40	2	172456-73280	COVER ASSY	1	1	1					
41	3	172179-73270	BEARING	1	1	1					
42	3	172179-73280	GASKET	1	1	1					
43	3	172456-73290	CONTROL PLATE	1	1	1					
44	3	172650-73450	BOLT,8X55HEX SOCKET	2	2	2					
45	3	172456-73600	ORIFICE	2	2	2					
46	3	172456-73610	FILTER	1	1	1					

Fig.42. HYDRAULIC PUMP & JOINT(QUICK COUPLER SPEC.)(TO M36239)

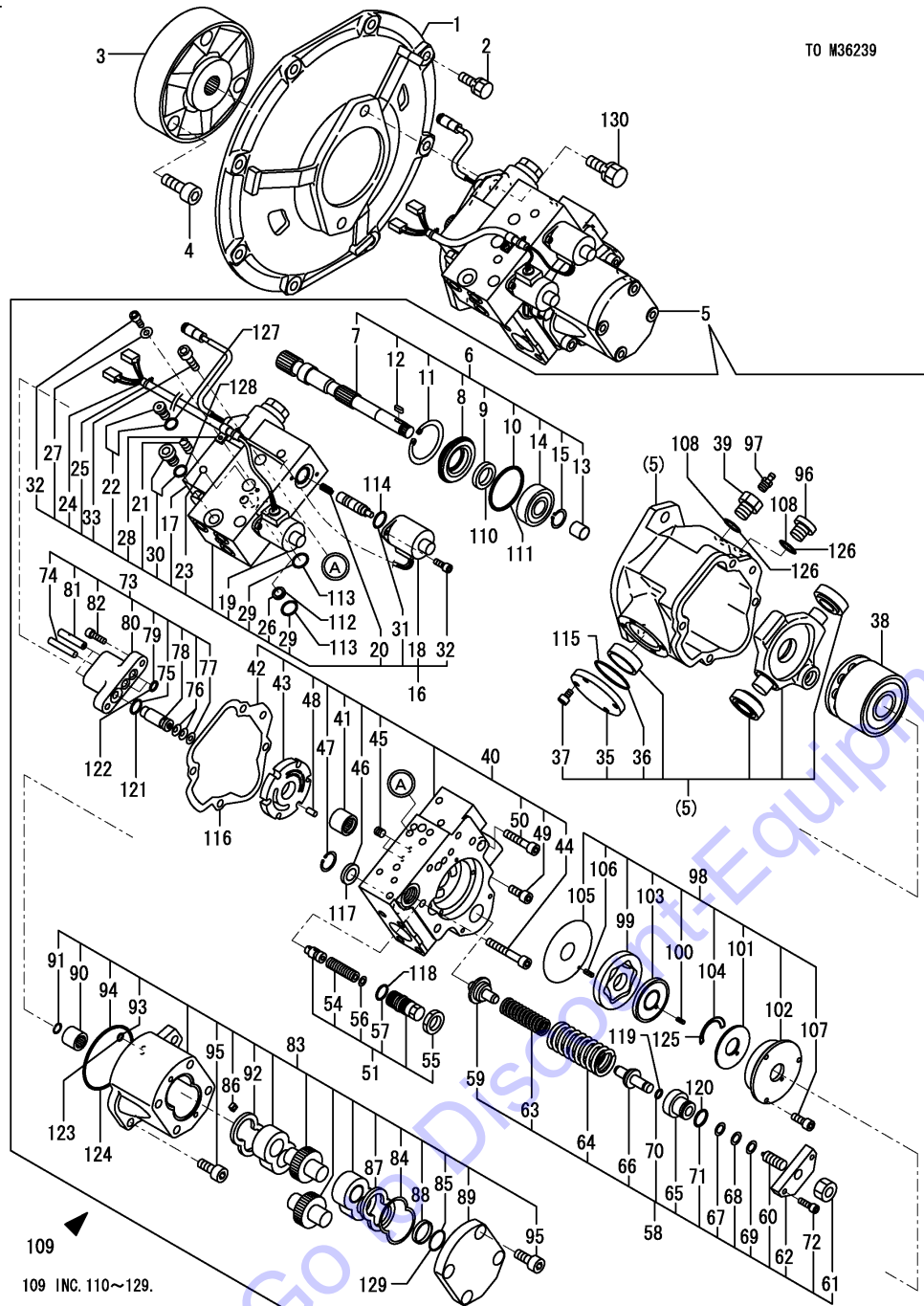


TO M36239

No.	Lev.	Parts No.	Description	Q'ty						I	R
				(A)	(B)	(C)	(D)	(E)	(F)		
47	3	172164-73670	CIRCLIP	1	1	1					
48	3	22312-060120	PIN, PARALLEL M6X12	2	2	2					
49	3	26450-080202	BOLT, M8X 20	2	2	2					
50	3	26450-080402	BOLT, M8X 40	1	1	1					
51	2	172164-73470	VALVE ASSY, RELIEF	1	1	1					
54	3	172164-73380	SPRING	1	1	1					
55	3	172164-73390	NUT	1	1	1					
56	3	172164-73510	SEAT, SPRING	1	1	1					
57	3	172141-74430	O-RING	1	1	1					
58	2	172456-73650	SPRING ASSY, CONTROL	1	1	1					
59	3	172179-73400	SEAT, SPRING	1	1	1					
60	3	172179-73430	ADJUST SCREW	1	1	1					
61	3	172179-73460	NUT M 6	1	1	1					
62	3	172456-73660	COVER	1	1	1					
63	3	172456-73670	SPRING	1	1	1					
64	3	172456-73680	SPRING	1	1	1					
65	3	172456-73690	SEAT, SPRING	1	1	1					
66	3	172456-73700	PLATE, SPRING	1	1	1					
67	3	172456-73710	SHIM	1	1	1					
68	3	172456-73720	SHIM	1	1	1					
69	3	172456-73730	SHIM	1	1	1					
70	3	24311-000090	O-RING, 1AP9.0	1	1	1					
71	3	24311-000180	O-RING, 1AP18.0	1	1	1					
72	3	26450-060202	BOLT, M6X 20	1	1	1					
73	2	172456-73740	PISTON ASSY, CONTROL	1	1	1					
74	3	172168-71500	PARALLEL PIN	1	1	1					
75	3	172168-71510	O-RING	1	1	1					
76	3	172168-71520	SPRING	2	2	2					
77	3	172168-71530	RETAINER	1	1	1					
78	3	172179-73510	PISTON	1	1	1					
79	3	172179-73540	O-RING	2	2	2					
80	3	172456-73750	CYLINDER	1	1	1					
81	3	172456-73770	PISTON, HYDRAULIC	2	2	2					
82	3	26450-060202	BOLT, M6X 20	2	2	2					
83	2	172456-73790	PUMP ASSY, GEAR	1	1	1					
84	3	172141-71520	RING	1	1	1					
85	3	172141-71550	O-RING	2	2	2					
86	3	172141-71560	RING	2	2	2					
87	3	172141-73220	PLATE	1	1	1					
88	3	172141-73230	GUIDE	2	2	2					
89	3	172456-73800	COVER	1	1	1					
90	3	172456-73810	COUPLING	1	1	1					
91	3	172456-73840	CIRCLIP	1	1	1					
92	3	172456-73850	PLATE	1	1	1					
93	3	24315-000060	O-RING, 1BP6.0	1	1	1					
94	3	24321-000900	O-RING, 1AG90.0	1	1	1					
95	3	26450-100252	BOLT, M10X 25	6	6	6					
96	2	172142-74670	PLUG	1	1	1					
97	2	172456-75430	PLUG	1	1	1					
98	2	172456-75440	PUMP ASSY, TROCHOID	1	1	1					
99	3	172456-75450	GEAR	1	1	1					

N:Old $\frac{Yes}{No}$ New, Q:Old $\frac{No}{Yes}$ New, R:Old $\frac{Yes}{Yes}$ New, S:Old $\frac{No}{No}$ New, W:Add, Z:Discontinued, F:Interchangeable by set, K:Q'ty Change
 ++ CONTINUE ++
 Copyright (C) YANMAR CO., LTD. All Rights Reserved.

Fig.42. HYDRAULIC PUMP & JOINT(QUICK COUPLER SPEC.)(TO M36239)

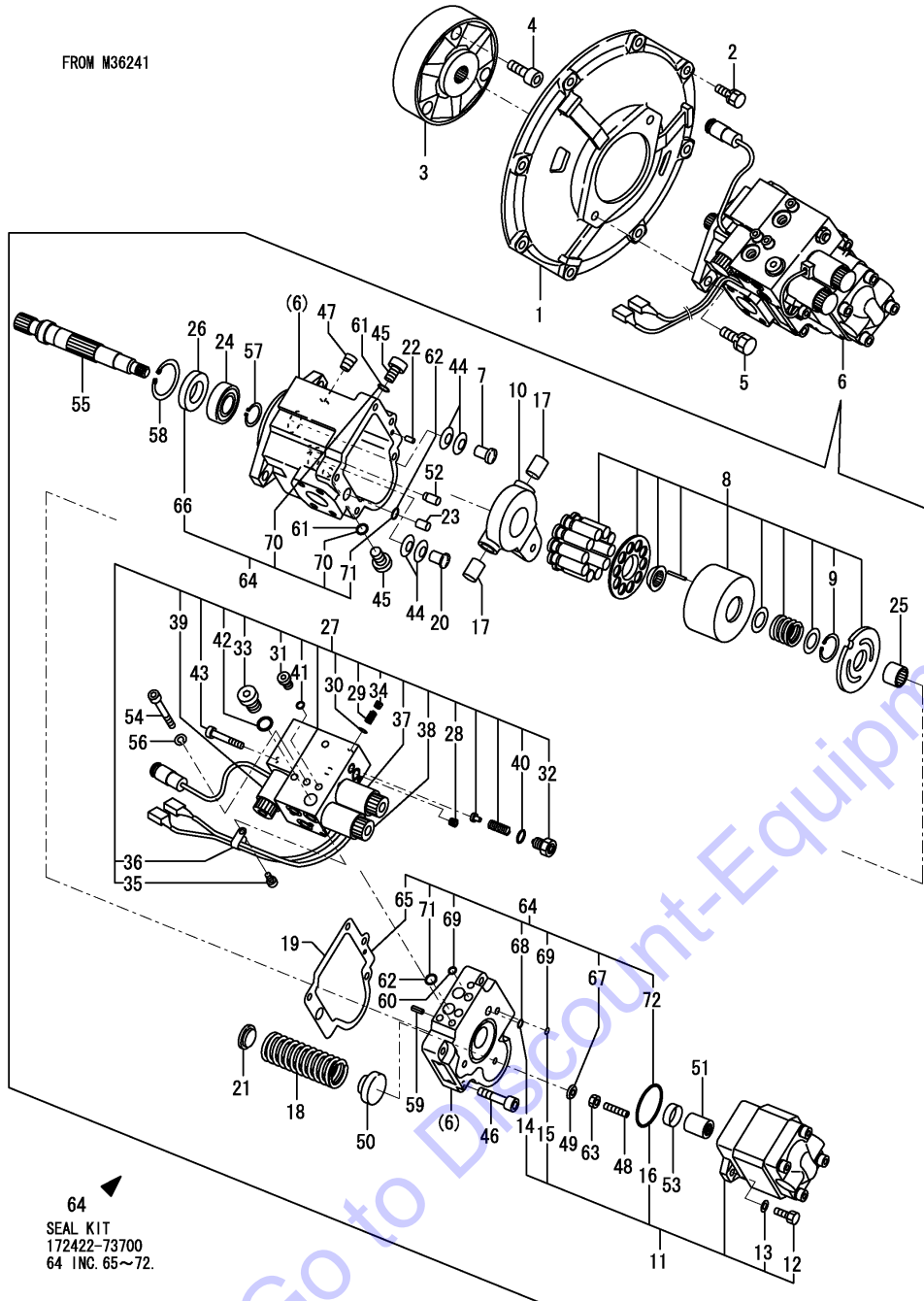


No.	Lev.	Parts No.	Description	Q'ty						I	R
				(A)	(B)	(C)	(D)	(E)	(F)		
100	3	172456-75460	PIN, SPRING	1	1	1					
101	3	172456-75480	PLATE	1	1	1					
102	3	172187-75860	CASE	1	1	1					
103	3	172187-75870	PLATE	1	1	1					
104	3	172187-75880	O-RING	1	1	1					
105	3	172187-75910	PLATE	1	1	1					
106	3	172187-75920	PIN, SPRING	1	1	1					
107	3	26450-050122	BOLT, M5X 12	3	3	3					
108	2	24315-000140	O-RING, 1BP14.0	2	2	2					
109	1	172456-73070	SEAL SET	1	1	1					
110	2	172456-73140	SEAL, OIL	1	1	1					
111	2	172456-73150	O-RING	1	1	1					
112	2	172456-73930	ELEMENT, FILTER	1	1	1					
113	2	172456-73960	O-RING	2	2	2					
114	2	24311-000160	O-RING, 1AP16.0	2	2	2					
115	2	24321-000450	O-RING, 1AG45.0	1	1	1					
116	2	172179-73280	GASKET	1	1	1					
117	2	172456-73610	FILTER	1	1	1					
118	2	172141-74430	O-RING	1	1	1					
119	2	24311-000090	O-RING, 1AP9.0	1	1	1					
120	2	24311-000180	O-RING, 1AP18.0	1	1	1					
121	2	172168-71510	O-RING	1	1	1					
122	2	172179-73540	O-RING	2	2	2					
123	2	24315-000060	O-RING, 1BP6.0	1	1	1					
124	2	24321-000900	O-RING, 1AG90.0	1	1	1					
125	2	172187-75880	O-RING	1	1	1					
126	2	24315-000140	O-RING, 1BP14.0	2	2	2					
127	2	24315-000080	O-RING, 1BP8.0	1	1	1					
128	2	24315-000110	O-RING, 1BP11.0	1	1	1					
129	2	172141-71550	O-RING	2	2	2					
130	1	26013-120302	BOLT, M12X 30	2	2	2					

Fig.84. (42A)HYDRAULIC PUMP & JOINT(QUICK COUPLER SPEC.)(FROM M36240)

(A)=VIO20-3(US)
 (B)=VIO20-3(AS)
 (C)=VIO20-3(NZ)

(D)=
 (E)=
 (F)=

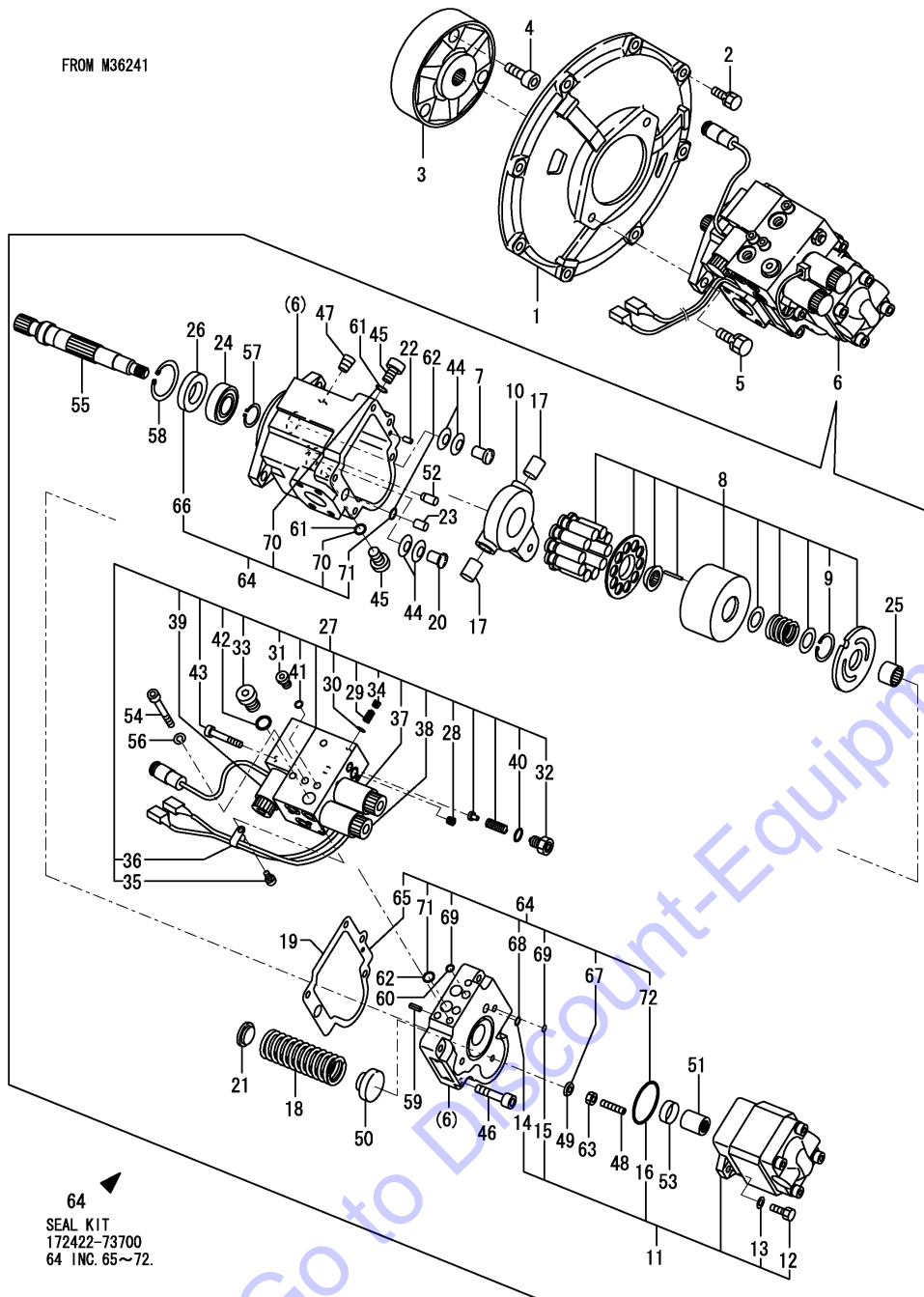


No.	Lev.	Parts No.	Description	Q'ty						I	R
				(A)	(B)	(C)	(D)	(E)	(F)		
1	1	172168-71101	COVER, FLYWHEEL	1	1	1					
2	1	26013-100302	BOLT, M10X 30	8	8	8					
3	1	172165-71200	COUPLING	1	1	1					
4	1	26450-120402	BOLT, M12X 40	3	3	3					
5	1	26013-120302	BOLT, M12X 30	2	2	2					
6	1	172A30-73100	PUMP ASSY	1	1	1					
7	2	172450-73110	PIN,STOPPER	1	1	1					
8	2	172A23-73110	BARREL KIT	1	1	1					
9	3	172448-73190	SNAP RING	1	1	1					
10	2	172422-73140	PLATE, SWASH	1	1	1					
11	2	172A23-73140	PUMP ASSY	1	1	1					
12	3	172450-73120	BOLT	2	2	2					
13	3	172450-73130	WASHER	2	2	2					
14	3	24315-000070	O-RING, 1BP7.0	1	1	1					
15	3	24315-000080	O-RING, 1BP8.0	1	1	1					
16	3	24325-000550	O-RING, 1BG55.0	1	1	1					
17	2	172422-73160	PIN	2	2	2					
18	2	172A23-73160	SPRING	1	1	1					
19	2	172422-73170	GASKET	1	1	1					
20	2	172448-73180	PIN A,STOPPER	1	1	1					
21	2	172422-73200	HOLDER	1	1	1					
22	2	172422-73220	PIN	1	1	1					
23	2	172422-73280	BEARING	1	1	1					
24	2	172422-73290	BEARING, BALL	1	1	1					
25	2	172422-73500	BEARING, NEEDLE	1	1	1					
26	2	172422-73510	SEAL, OIL	1	1	1					
27	2	172958-73510	BLOCK ASSY, VALVE	1	1	1					
27-1	2	172958-73511	BLOCK ASSY, VALVE	1	1	1					N
		(A=M46211) (B=M46211) (C=M46211)									
28	3	172422-73550	PLUG	8	8	8					
29	3	172422-73620	SPRING	1	1	1					
30	3	172422-73630	FILTER	1	1	1					
31	3	172458-73630	PLUG	1	1	1					
32	3	172422-73640	ADJUSTER KIT	1	1	1					
33	3	172458-73640	PLUG	1	1	1					
34	3	172422-73650	PLUG	2	2	2					
35	3	172422-73660	BOLT	1	1	1					
36	3	172422-73670	CLAMP	1	1	1					
37	3	172458-73680	VALVE ASSY	1	1	1					
38	3	172458-73690	VALVE ASSY	1	1	1					
39	3	172458-73790	VALVE,SOLENOID	1	1	1					
40	3	24311-000110	O-RING, 1AP11.0	1	1	1					
41	3	24315-000080	O-RING, 1BP8.0	1	1	1					
42	3	24315-000140	O-RING, 1BP14.0	1	1	1					
43	3	26450-050452	BOLT, M5X 45	4	4	4					
44	2	172422-73520	SPRING	4	4	4					
45	2	172422-73530	PLUG	2	2	2					
46	2	172422-73540	BOLT	5	5	5					
47	2	172422-73550	PLUG	5	5	5					
48	2	172422-73560	SCREW	1	1	1					
49	2	172422-73570	WASHER	1	1	1					

Fig.84. (42A)HYDRAULIC PUMP & JOINT(QUICK COUPLER SPEC.)(FROM M36240)

(A)=VIO20-3(US)
 (B)=VIO20-3(AS)
 (C)=VIO20-3(NZ)

(D)=
 (E)=
 (F)=

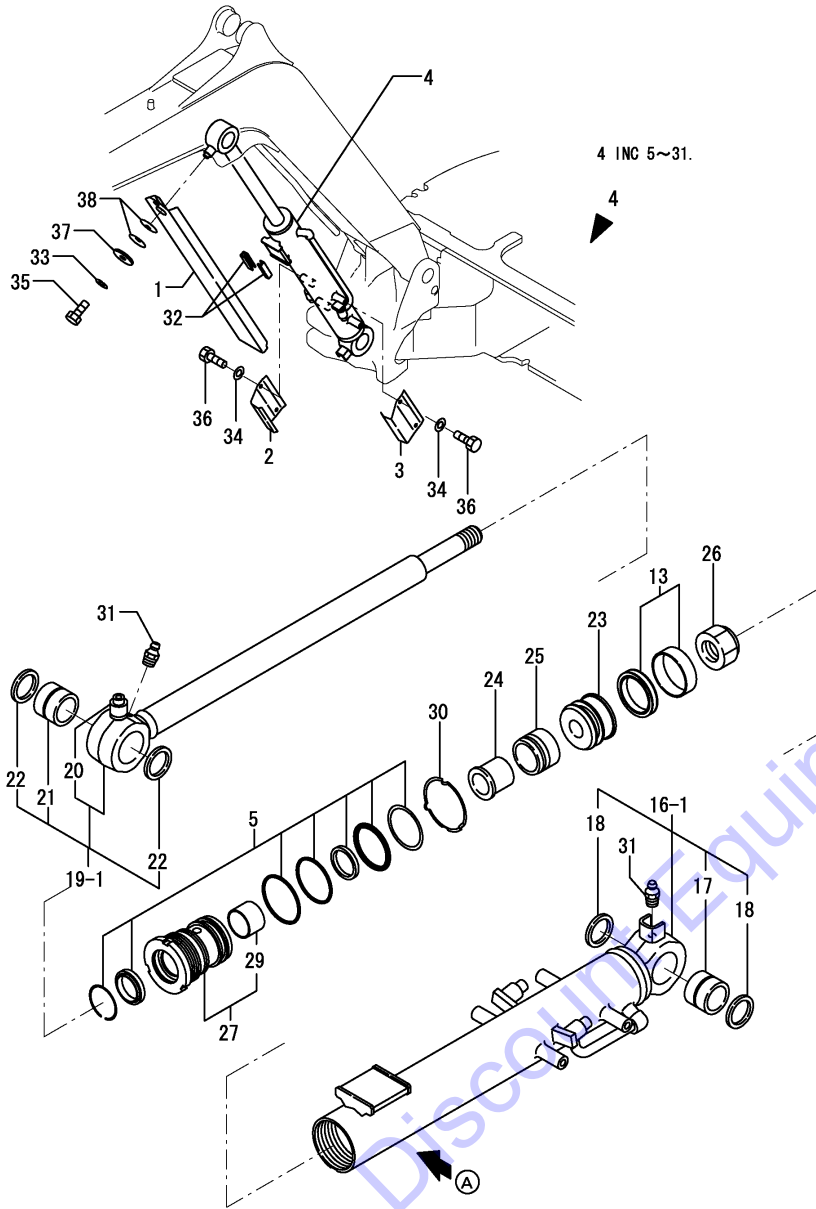


FROM M36241

No.	Lev.	Parts No.	Description	Q'ty						I	R
				(A)	(B)	(C)	(D)	(E)	(F)		
50	2	172458-73570	GUIDE, SPRING	1	1	1					
51	2	172422-73580	COUPLING	1	1	1					
52	2	172458-73580	ROD	1	1	1					
53	2	172422-73590	COLLAR	1	1	1					
54	2	172422-73610	BOLT	3	3	3					
55	2	172458-73660	SHAFT	1	1	1					
56	2	22212-080000	WASHER 8	3	3	3					
57	2	22242-000250	RING, 25	1	1	1					
58	2	22252-000520	RING, 52	1	1	1					
59	2	22351-060016	PIN, SPRING 6.0X16	1	1	1					
60	2	24315-000080	O-RING, 1BP8.0	1	1	1					
61	2	24315-000110	O-RING, 1BP11.0	2	2	2					
62	2	24315-000120	O-RING, 1BP12.0	3	3	3					
63	2	26711-080002	NUT, M8	1	1	1					
64	1	172422-73700	SEAL SET, PUMP	1	1	1					
65	2	172422-73170	GASKET	1	1	1					
66	2	172422-73510	SEAL, OIL	1	1	1					
67	2	172422-73570	WASHER	1	1	1					
68	2	24315-000070	O-RING, 1BP7.0	1	1	1					
69	2	24315-000080	O-RING, 1BP8.0	2	2	2					
70	2	24315-000110	O-RING, 1BP11.0	2	2	2					
71	2	24315-000120	O-RING, 1BP12.0	3	3	3					
72	2	24325-000550	O-RING, 1BG55.0	1	1	1					

64
 SEAL KIT
 172422-73700
 64 INC. 65~72.

Fig.43. BOOM CYLINDER(Y SPEC.)



(A)=VIO20-3(US)
(B)=VIO20-3(AS)
(C)=VIO20-3(NZ)

(D)=
(E)=
(F)=

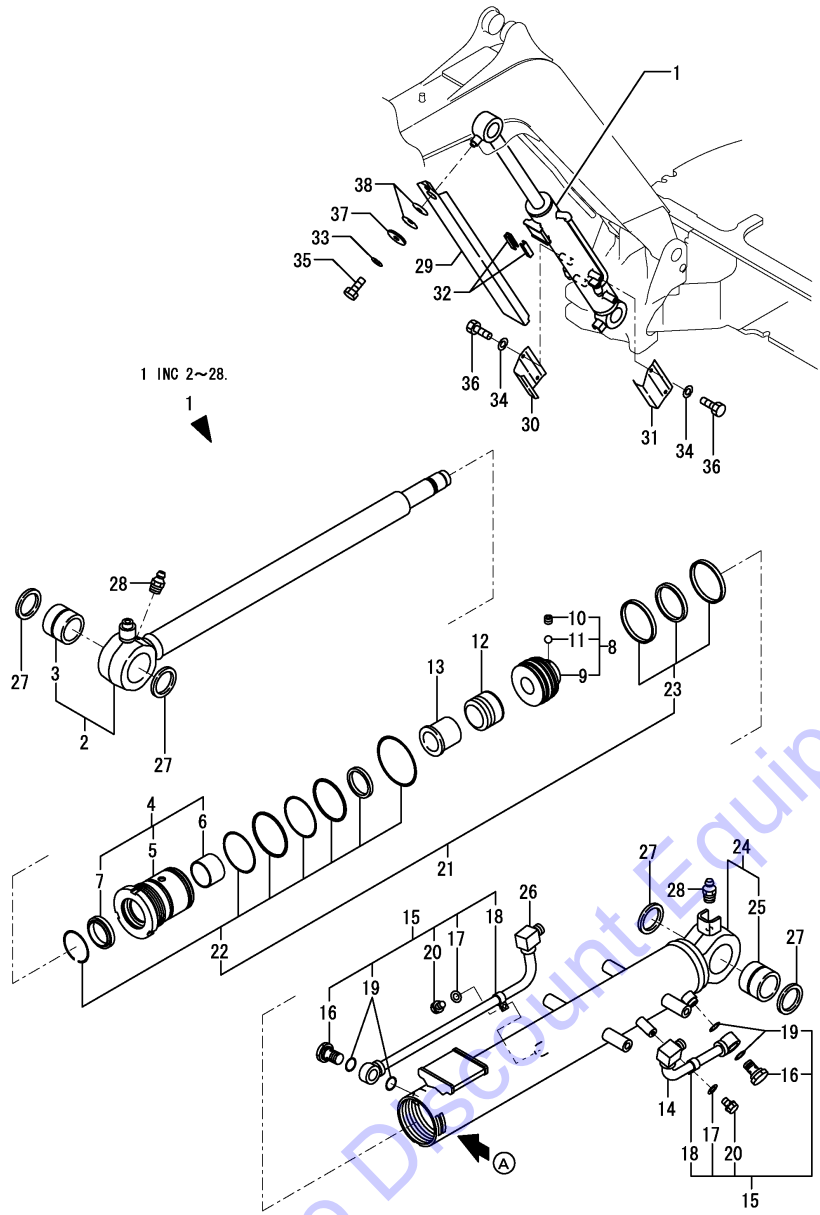
No.	Lev.	Parts No.	Description	Q'ty						I	R
				(A)	(B)	(C)	(D)	(E)	(F)		
1	1	172456-72200-1	COVER, SLIDE	1	1	1					
1-1	1	172456-72200-2	COVER, SLIDE	1	1	1					S
		(A=M34345) (B=M34345) (C=M34345)									
1-2	1	172456-72200-N	COVER, SLIDE	1	1	1					S
		(A=M45501) (B=M45501) (C=M45501)									
2	1	172457-72230-1	COVER ASSY, CYLINDER	1	1	1					
2-1	1	172457-72230-2	COVER ASSY, CYLINDER	1	1	1					S
		(A=M34345) (B=M34345) (C=M34345)									
2-2	1	172457-72230-N	COVER ASSY, CYLINDER	1	1	1					S
		(A=M45501) (B=M45501) (C=M45501)									
3	1	172457-72240-1	COVER, CYLINDER	1	1	1					
3-1	1	172457-72240-2	COVER, CYLINDER	1	1	1					S
		(A=M34345) (B=M34345) (C=M34345)									
3-2	1	172457-72240-N	COVER, CYLINDER	1	1	1					S
		(A=M45501) (B=M45501) (C=M45501)									
4	1	172469-72400-1	CYLINDER ASSY, BOOM	1	1	1					
4-1	1	172469-72400-2	CYLINDER ASSY, BOOM	1	1	1					S
		(A=M34345) (B=M34345) (C=M34345)									
4-2	1	172469-72400-N	CYLINDER ASSY, BOOM	1	1	1					S
		(A=M45501) (B=M45501) (C=M45501)									
4-3	1	172469-72400-N	CYLINDER ASSY, BOOM	1	1	1					Z 2
		(A=M45940) (B=M45940) (C=M45940)									
5	2	172456-72010	SEAL SET, HEAD 70 40	1	1	1					
13	2	172460-72070	SEAL SET, PISTON	1	1	1					
16-1	2	172456-72250-1	TUBE ASSY, BOOM	1	1	1					
16-2	2	172456-72250-3	TUBE ASSY, BOOM	1	1	1					S
		(A=M34345) (B=M34345) (C=M34345)									
16-3	2	172456-72250-N	TUBE ASSY, BOOM	1	1	1					S
		(A=M45501) (B=M45501) (C=M45501)									
17	3	172168-72410	BUSH	1	1	1					
18	3	172448-72650	SEAL, DUST	2	2	2					
19-1	2	172456-72260	ROD ASSY,BOOM	1	1	1					
20	4	172168-72390	SEAT, SCREW M10X34.3	1	1	1					1
21	3	172168-72410	BUSH	1	1	1					
22	3	172448-72650	SEAL, DUST	2	2	2					
23	2	172456-72190	PISTON	1	1	1					
24	2	172457-72190	COLLAR, 27 38	1	1	1					
25	2	172457-72200	PLUNGER 50,CUSHON	1	1	1					
26	2	172141-72250	NUT	1	1	1					
27	2	172469-72410	HEAD ASSY,70 40	1	1	1					
29	3	24550-040300	BUSH, 40X30	1	1	1					
30	2	172141-72420	WASHER, LOCK	1	1	1					
31	2	24761-020000	NIPPLE, GREASE PT1/8	2	2	2					
32	1	172186-72480	GUIDE, SLIDE	2	2	2					
33	1	22217-100000	WASHER, SPRING 10	1	1	1					
34	1	22217-100000	WASHER, SPRING 10	4	4	4					
35	1	26116-100162	BOLT, M10X 16 PLATED	1	1	1					
36	1	26116-100162	BOLT, M10X 16 PLATED	4	4	4					
37	1	933147-03400	WASHER, BRAKE ARM	1	1	1					
38	1	933168-14170	SPRING	2	2	2					

Remarks
(1)Welded part.
(2)A : no mark.
Interchangeable by Fig.87(43A) No.1.

Fig.87. (43A)BOOM CYLINDER(K SPEC.)

(A)=VIO20-3(US)
 (B)=VIO20-3(AS)
 (C)=VIO20-3(NZ)

(D)=
 (E)=
 (F)=



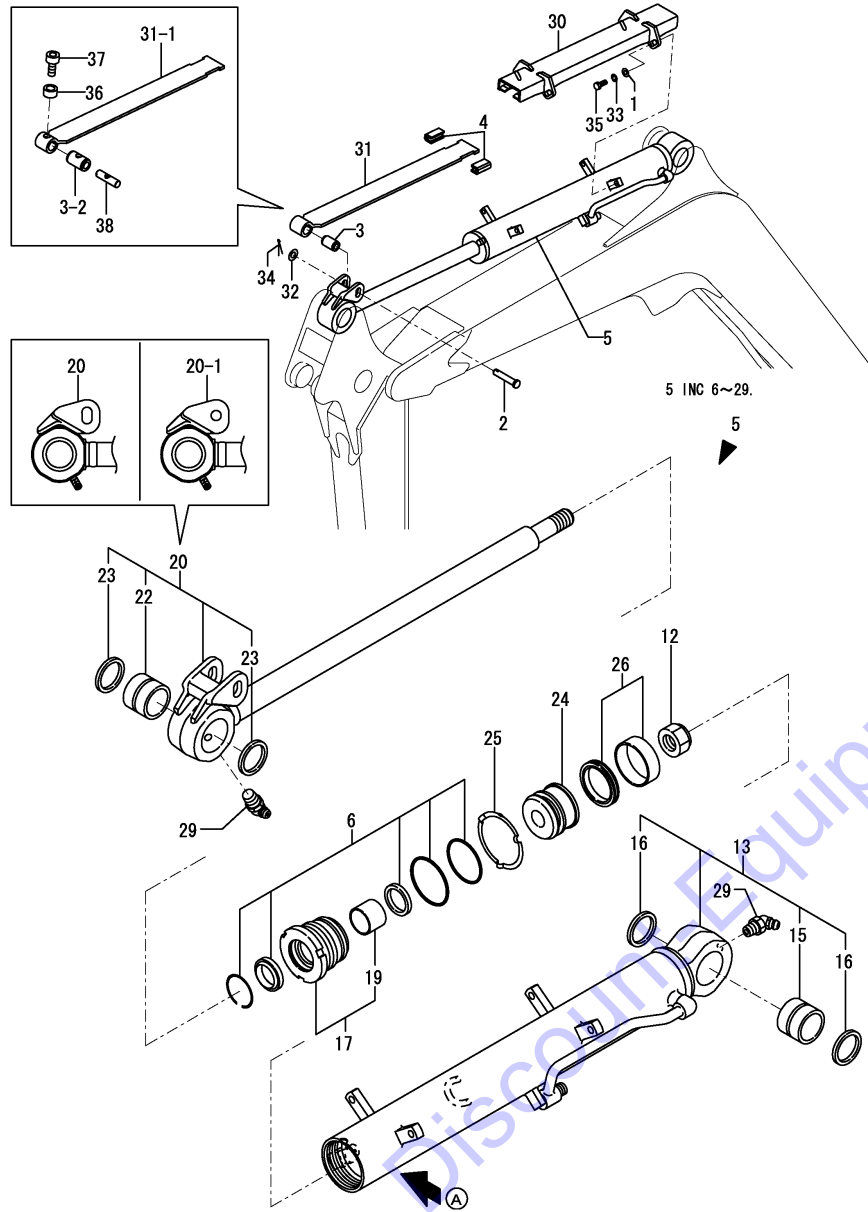
No.	Lev.	Parts No.	Description	Q'ty						I	R
				(A)	(B)	(C)	(D)	(E)	(F)		
1	1	172A23-70400 (A=M45940) (B=M45940) (C=M45940)	CYLINDER ASSY, BM C	1	1	1					W
1-1	1	172A23-70401 (A=M45974) (B=M45974) (C=M45974)	CYLINDER ASSY, BM C	1	1	1					N
2	2	172A23-70130	ROD ASSY	1	1	1					
3	3	172A23-70120	BUSH, PIN 40	1	1	1					
4	2	172A23-70140	HEAD ASSY	1	1	1					
5	3	172A23-70150	HEAD	1	1	1					
6	3	172A23-70160	BEARING, SLEEVE	1	1	1					
7	3	172A23-70210	RING, RETAINING	1	1	1					
8	2	172A23-70220	PISTON ASSY	1	1	1					
9	3	172A23-70230	PISTON	1	1	1					
10	3	172A23-70240	SCREW, M6	1	1	1					
11	3	24190-050002	BALL, STEEL 5/32	1	1	1					
12	2	172A23-70250	PLUNGER, CUSHION	1	1	1					
13	2	172A23-70260	COLLAR, CUSHION	1	1	1					
14	2	172A23-70270	PIPE ASSY	1	1	1					
15	2	172A23-70290	PLUG ASSY	2	2	2					
16	3	172A23-70300	PLUG	2	2	2					
17	3	172A23-70310	WASHER	2	2	2					
18	3	172A23-70320	HOLDER, PIPE	2	2	2					
19	3	24315-000150	O-RING, 1BP15.0	4	4	4					
20	3	26013-080162	BOLT, M8X 16	2	2	2					
21	2	172A23-70330	SEAL KIT	1	1	1					
22	3	172A23-70340	SEAL KIT, HEAD	1	1	1					
23	3	172B04-72690	SEAL SET,PISTON 70	1	1	1					
24	2	172A23-70410	TUBE ASSY	1	1	1					
24-1	2	172A23-70411 (A=M45974) (B=M45974) (C=M45974)	TUBE ASSY	1	1	1					N
25	3	172A23-70120	BUSH, PIN 40	1	1	1					
26	2	172A23-70420	PIPE ASSY	1	1	1					
27	2	172B04-72770	SEAL,DUST 40	4	4	4					
28	2	24761-020000	NIPPLE, GREASE PT1/8	2	2	2					
29	1	172456-72200	COVER, SLIDE	1	1	1					
30	1	172457-72230-N	COVER ASSY, CYLINDER	1	1	1					
31	1	172457-72240-N	COVER, CYLINDER	1	1	1					
32	1	172186-72480	GUIDE, SLIDE	2	2	2					
33	1	22217-100000	WASHER, SPRING 10	1	1	1					
34	1	22217-100000	WASHER, SPRING 10	4	4	4					
35	1	26116-100162	BOLT, M10X 16 PLATED	1	1	1					
36	1	26116-100162	BOLT, M10X 16 PLATED	4	4	4					
37	1	933147-03400	WASHER, BRAKE ARM	1	1	1					
38	1	933168-14170	SPRING	2	2	2					

Remarks

* A : There is parts No. & serial No.(172A23-70400, YSXXX).

N:Old $\frac{Yes}{No}$ New, Q:Old $\frac{No}{Yes}$ New, R:Old $\frac{Yes}{Yes}$ New, S:Old $\frac{No}{No}$ New, W:Add, Z:Discontinued, F:Interchangeable by set, K:Q'ty Change

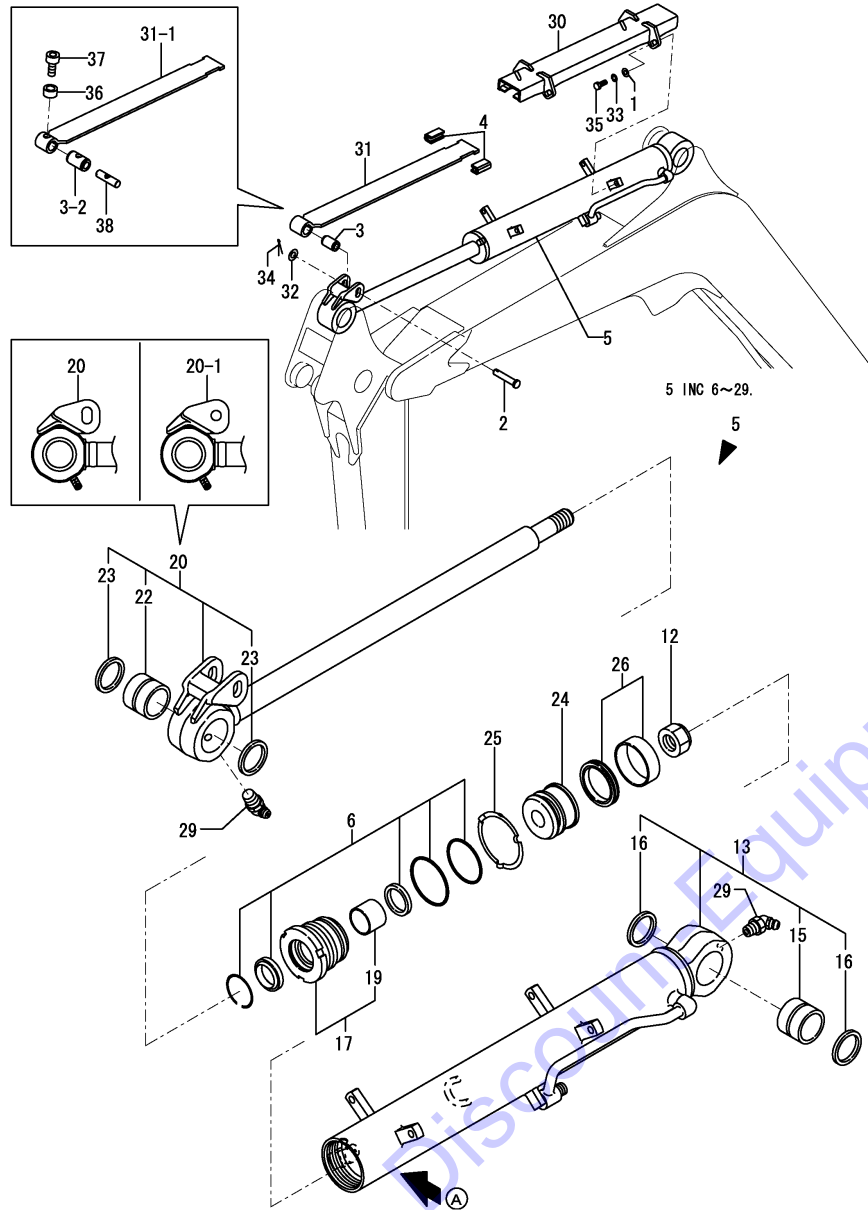
Fig.44. ARM CYLINDER(Y SPEC.)



Remarks
 (1) Interchangeable by simultaneous replacement with No.35-1.
 (2) A : no mark.
 Interchangeable by Fig.88(44A) No.1.

No.	Lev.	Parts No.	Description	Q'ty						I	R
				(A)	(B)	(C)	(D)	(E)	(F)		
1	1	172137-46040	SEAT, SPRING	4	4	4					
1-1	1	172A79-72570	WASHER	4	4	4					F 1
		(A=M35892) (B=M35892) (C=M35892)									
2	1	172A23-72041	PIN	1	1	1					
2-1	1	172A23-72042	PIN	1	1	1					N
		(A=M/#30829) (B=M/#30829) (C=M/#30829)									
2-2	1	172A23-72042	PIN	1	1	1					Z
		(A=M/#33361) (B=M/#33361) (C=M/#33361)									
3	1	172A23-72050	GROMMET	1	1	1					
3-1	1	172A23-72051	GROMMET	1	1	1					N
		(A=M/#33361) (B=M/#33361) (C=M/#33361)									
3-2	1	172A23-72052	GROMMET	1	1	1					N
		(A=M32769) (B=M32769) (C=M32769)									
4	1	172A23-72081	GUIDE, SLIDE	2	2	2					
5	1	172A23-72301-1	CYLINDER, ARM	1	1	1					
5-1	1	172A23-72302-1	CYLINDER, ARM	1	1	1					S
		(A=M/#33361) (B=M/#33361) (C=M/#33361)									
5-2	1	172A23-72302-3	CYLINDER, ARM	1	1	1					S
		(A=M34345) (B=M34345) (C=M34345)									
5-3	1	172A23-72302-N	CYLINDER, ARM	1	1	1					S
		(A=M45501) (B=M45501) (C=M45501)									
5-4	1	172A23-72302-N	CYLINDER, ARM	1	1	1					Z 2
		(A=M45946) (B=M45946) (C=M45946)									
6	2	172456-72020	SEAL SET, HEAD 65 35	1	1	1					
12	2	172171-72130	NUT, M24	1	1	1					
13	2	172A23-72320-1	TUBE, ARM	1	1	1					
13-1	2	172A23-72320-3	TUBE, ARM	1	1	1					S
		(A=M34345) (B=M34345) (C=M34345)									
13-2	2	172A23-72320-N	TUBE, ARM	1	1	1					S
		(A=M45501) (B=M45501) (C=M45501)									
15	3	172168-72410	BUSH	1	1	1					
16	3	172448-72650	SEAL, DUST	2	2	2					
17	2	172173-72330	HEAD ASSY, 65 35	1	1	1					
19	3	24550-035300	BUSH, 35X30	1	1	1					
20	2	172A23-72340	ROD ASSY, ARM	1	1	1					
20-1	2	172A23-72341	ROD ASSY, ARM	1	1	1					S 2
		(A=M/#33361) (B=M/#33361) (C=M/#33361)									
22	3	172168-72410	BUSH	1	1	1					
23	3	172448-72650	SEAL, DUST	2	2	2					
24	2	172173-72352	PISTON 65 24	1	1	1					
25	2	172142-72560	WASHER, LOCK	1	1	1					
26	2	172148-72941	SEAL SET, PISTON	1	1	1					
29	2	24761-040000	NIPPLE, GREASE B	2	2	2					
30	1	172A23-72061-1	GUIDE ASSY	1	1	1					
30-1	1	172A23-72061-3	GUIDE ASSY, 545	1	1	1					S
		(A=M34345) (B=M34345) (C=M34345)									
30-2	1	172A23-72062-2	GUIDE ASSY, 545	1	1	1					N
		(A=M45001) (B=M45001) (C=M45001)									
30-3	1	172A23-72062-N	GUIDE ASSY, 545	1	1	1					S
		(A=M45501) (B=M45501) (C=M45501)									
31	1	172A23-72950-1	PLATE, SLIDE	1	1	1					

Fig.44. ARM CYLINDER(Y SPEC.)



(A)=VIO20-3(US)
 (B)=VIO20-3(AS)
 (C)=VIO20-3(NZ)

(D)=
 (E)=
 (F)=

No.	Lev.	Parts No.	Description	Q'ty						I	R
				(A)	(B)	(C)	(D)	(E)	(F)		
31-1	1	172A23-72951-3 (A=M33361) (B=M33361) (C=M33361)	PLATE,SLIDE 585 (87)	1	1	1					N
31-2	1	172A23-72951-1 (A=M34345) (B=M34345) (C=M34345)	PLATE, SLIDE	1	1	1					S
31-3	1	172A23-72951-N (A=M45501) (B=M45501) (C=M45501)	PLATE,SLIDE 585	1	1	1					S
32	1	22137-140000	WASHER, 14	1	1	1					
32-1	1	172A23-72020 (A=M/#30829) (B=M/#30829) (C=M/#30829)	WASHER	1	1	1					R
32-2	1	172A23-72020 (A=M/#33361) (B=M/#33361) (C=M/#33361)	WASHER	1	1	1					Z
33	1	22217-100000 (A=M/#31474) (B=M/#31474) (C=M/#31474)	WASHER, SPRING 10	4	4	4					Z
34	1	22417-500250 (A=M/#33361) (B=M/#33361) (C=M/#33361)	PIN, COTTER 5.0X25	1	1	1					Z
35	1	26076-100202	BOLT, 10.910X 20	4	4	4					
35-1	1	26076-100252 (A=M35970) (B=M35970) (C=M35970)	BOLT, 10.910X 25	4	4	4					S
36	1	172A46-72070 (A=M/#33361) (B=M/#33361) (C=M/#33361)	SPACER	1	1	1					W
37	1	26450-060162 (A=M/#33361) (B=M/#33361) (C=M/#33361)	BOLT, M6X 16	1	1	1					W
37-1	1	172A47-72840 (A=M34875) (B=M34875) (C=M34875)	BOLT	1	1	1					N
38	1	172A23-72043 (A=M/#33361) (B=M/#33361) (C=M/#33361)	SHAFT	1	1	1					W

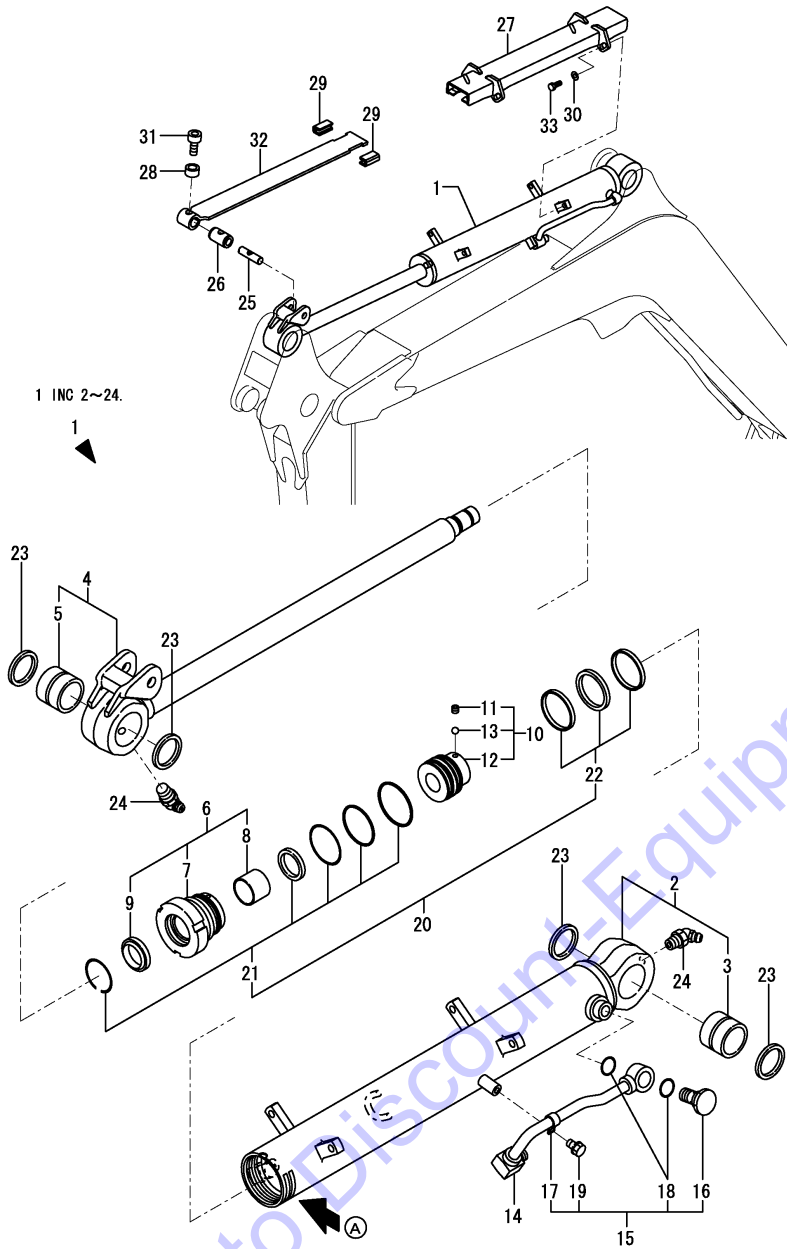
Remarks

- (1)Interchangeable by simultaneous replacement with No.35-1.
 - (2)A : no mark.
- Interchangeable by Fig.88(44A) No.1.

Fig.88. (44A)ARM CYLINDER(K SPEC.)

(A)=VIO20-3(US)
 (B)=VIO20-3(AS)
 (C)=VIO20-3(NZ)

(D)=
 (E)=
 (F)=

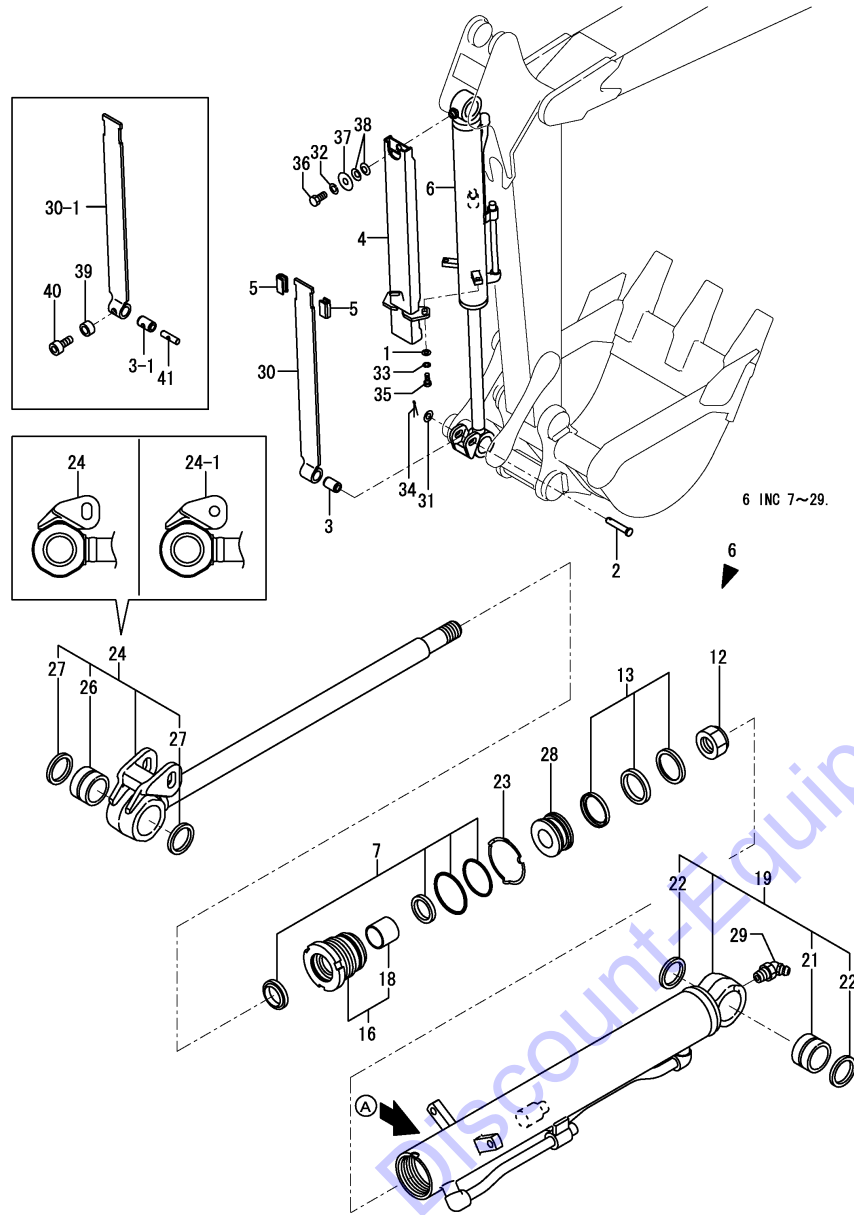


No.	Lev.	Parts No.	Description	Q'ty						I	R
				(A)	(B)	(C)	(D)	(E)	(F)		
1	1	172A23-70500 (A=M45946) (B=M45946) (C=M45946)	CYLINDER ASSY,AM	1	1	1					W
2	2	172A23-70510	TUBE ASSY	1	1	1					
3	3	172A23-70120	BUSH, PIN 40	1	1	1					
4	2	172A23-70520	ROD ASSY	1	1	1					
5	3	172A23-70120	BUSH, PIN 40	1	1	1					
6	2	172A23-70530	HEAD ASSY	1	1	1					
7	3	172A23-70540	HEAD	1	1	1					
8	3	172A23-70550	BEARING, SLEEVE	1	1	1					
9	3	172A23-70560	RING, RETAINING	1	1	1					
10	2	172A23-70570	PISTON ASSY	1	1	1					
11	3	172A23-70240	SCREW, M6	1	1	1					
12	3	172A23-70580	PISTON	1	1	1					
13	3	24190-050002	BALL, STEEL 5/32	1	1	1					
14	2	172A23-70590	PIPE ASSY	1	1	1					
15	2	172A23-70600	PLUG ASSY	1	1	1					
16	3	172A23-70610	PLUG	1	1	1					
17	3	172A23-70620	HOLDER, PIPE	1	1	1					
18	3	24315-350220	O-RING, 1BP22A	2	2	2					
19	3	26013-080162	BOLT, M8X 16	1	1	1					
20	2	172A23-70630	SEAL KIT	1	1	1					
21	3	172A23-70640	SEAL KIT, HEAD	1	1	1					
22	3	172A23-70650	SEAL KIT, PISTON	1	1	1					
23	2	172B04-72770	SEAL,DUST 40	4	4	4					
24	2	24761-040000	NIPPLE, GREASE B	2	2	2					
25	1	172A23-72043	SHAFT	1	1	1					
26	1	172A23-72052	GROMMET	1	1	1					
27	1	172A23-72062-N	GUIDE ASSY, 545	1	1	1					
28	1	172A46-72070	SPACER	1	1	1					
29	1	172A23-72081	GUIDE, SLIDE	2	2	2					
30	1	172A79-72570	WASHER	4	4	4					
31	1	172A47-72840	BOLT	1	1	1					
32	1	172A23-72951-N	PLATE,SLIDE 585	1	1	1					
33	1	26076-100252	BOLT, 10.910X 25	4	4	4					

Remarks

* A : There is parts No. & serial No.(172A23-70500, YSXXX).

Fig.45. BUCKET CYLINDER(Y SPEC.)



(A)=VIO20-3(US)
(B)=VIO20-3(AS)
(C)=VIO20-3(NZ)

(D)=
(E)=
(F)=

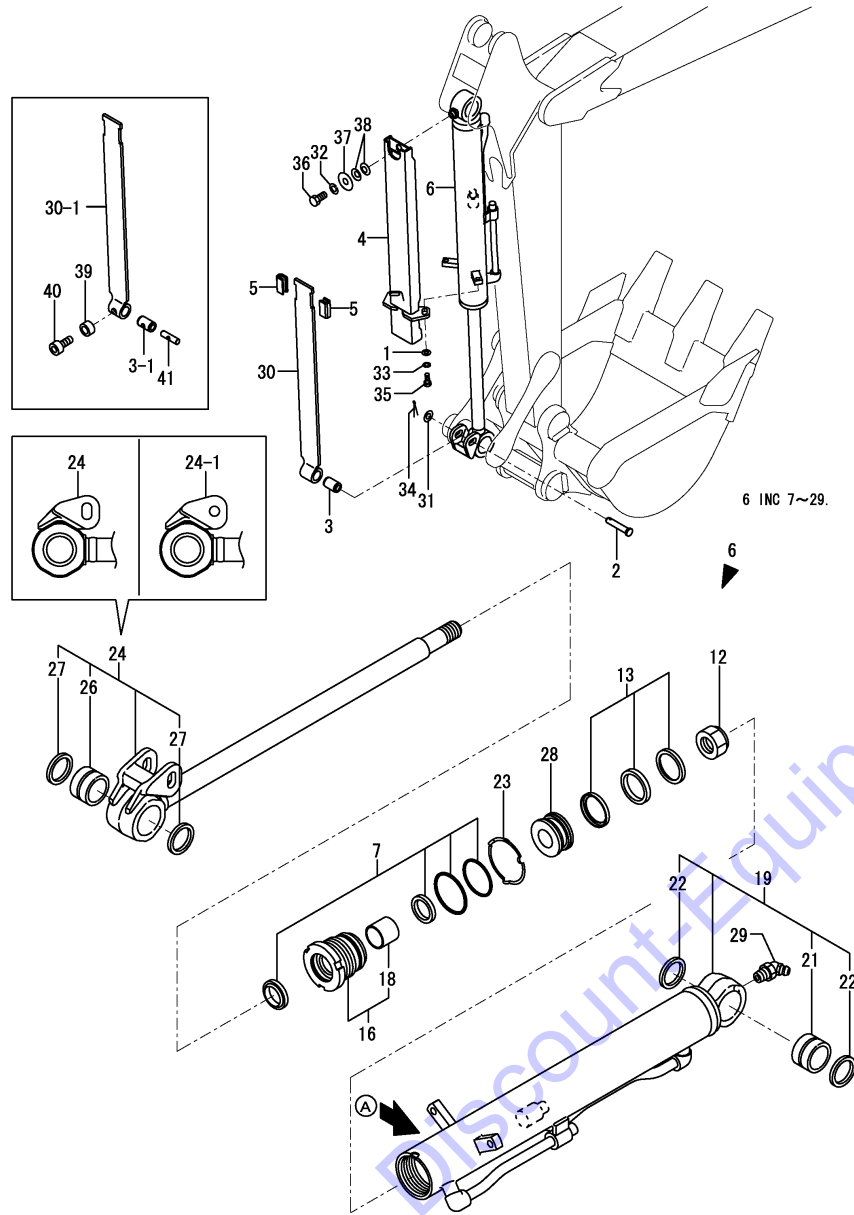
No.	Lev.	Parts No.	Description	Q'ty						I	R
				(A)	(B)	(C)	(D)	(E)	(F)		
1	1	172137-46040	SEAT, SPRING	2							
1-1	1	172A79-72570	WASHER	2							F 1
(A=M35892)											
2	1	172A23-72041	PIN	1							
2-1	1	172A23-72042	PIN	1							N
(A=M#30829)											
2-2	1	172A23-72042	PIN	1							Z
(A=M#33361)											
3	1	172A23-72050	GROMMET	1							
3-1	1	172A23-72051	GROMMET	1							N
(A=M#33361)											
3-2	1	172A23-72052	GROMMET	1							N
(A=M32796)											
4	1	172A23-72901-1	GUIDE ASSY	1							
4-1	1	172A23-72901-3	GUIDE ASSY, 595	1							S
(A=M34345)											
4-2	1	172A23-72902-2	GUIDE ASSY, 595	1							N
(A=M45001)											
4-3	1	172A23-72902-N	GUIDE ASSY, 595	1							S
(A=M45501)											
5	1	172A23-72081	GUIDE, SLIDE	2							
6	1	172A23-72501-1	CYLINDER ASSY	1							
6-1	1	172A23-72502-1	CYLINDER ASSY	1							S
(A=M#33361)											
6-2	1	172A23-72502-3	CYLINDER ASSY	1							S
(A=M34345)											
6-3	1	172A23-72502-N	CYLINDER ASSY	1							S
(A=M45501)											
6-4	1	172A23-72502-N	CYLINDER ASSY	1							Z 2
(A=M3A331)											
7	2	172456-72031	SEAL SET, HEAD 55 35	1							
12	2	172141-72250	NUT	1							
13	2	172449-72321	GASKET ASSY, RGU55	1							
16	2	172449-72410	HEAD CMP B,55-35	1							
18	3	24550-035300	BUSH, 35X30	1							
19	2	172A23-72520-1	TUBE, BUCKET	1							
19-1	2	172A23-72520-3	TUBE, BUCKET	1							S
(A=M34345)											
19-2	2	172A23-72520-N	TUBE, BUCKET	1							S
(A=M45501)											
21	3	172141-72561	BUSH (35-45-30)	1							
22	3	172448-81610	SEAL, DUST 35X45X4	2							
23	2	172173-72550	ROCK WASHER 55	1							
24	2	172A23-72570	ROD ASSY, BUCKET	1							
24-1	2	172A23-72571	ROD ASSY, BUCKET	1							S 2
(A=M#33361)											
26	3	172141-72561	BUSH (35-45-30)	1							
27	3	172448-81610	SEAL, DUST 35X45X4	2							
28	2	172456-72580	PISTON 55 (27-27)	1							
29	2	24761-040000	NIPPLE, GREASE B	1							
30	1	172A23-72950-1	PLATE, SLIDE	1							

Remarks
 (1) Interchangeable by simultaneous replacement with No.35-1.
 (2) A : no mark.
 Interchangeable by Fig.89(45A) No.1.

Fig.45. BUCKET CYLINDER(Y SPEC.)

(A)=VIO20-3(US)
 (B)=VIO20-3(AS)
 (C)=VIO20-3(NZ)

(D)=
 (E)=
 (F)=



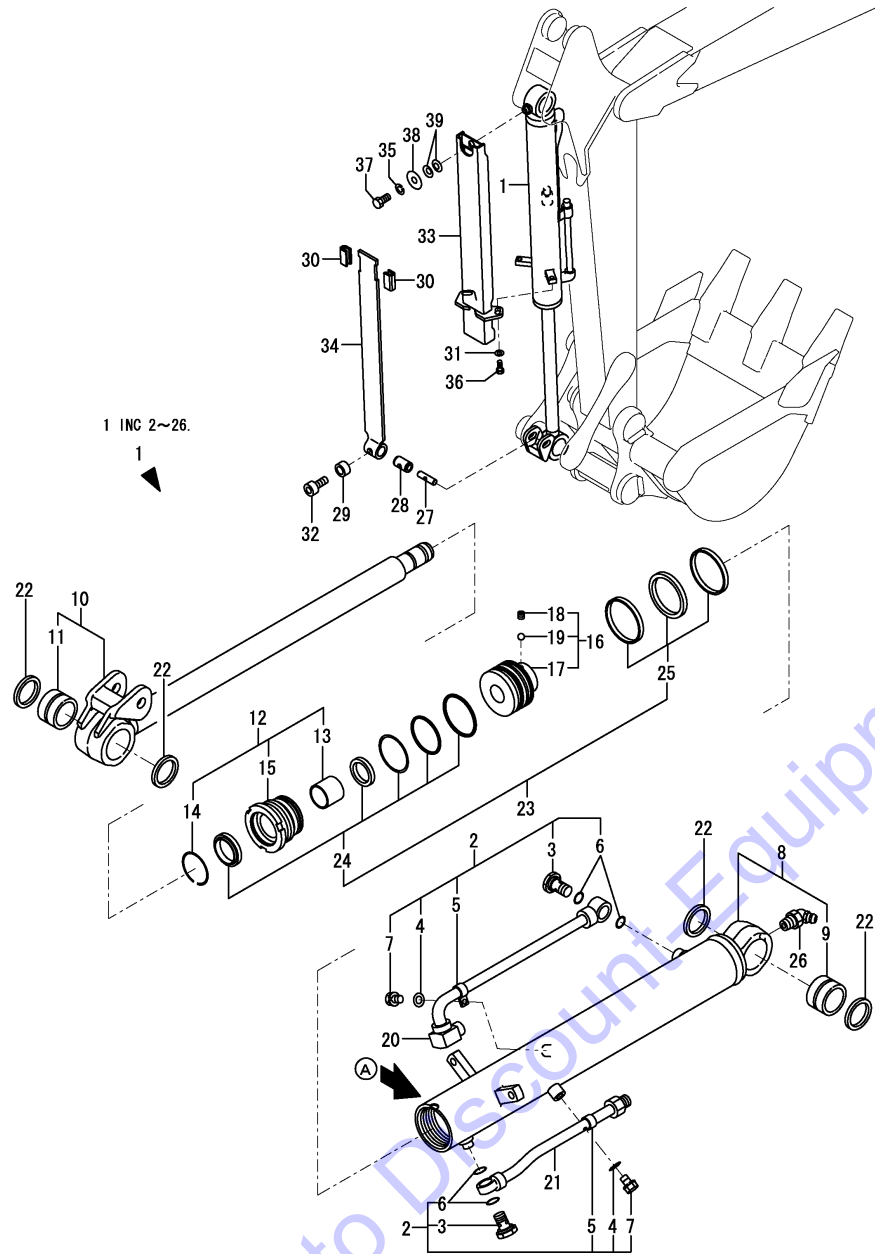
No.	Lev.	Parts No.	Description	Q'ty						I	R
				(A)	(B)	(C)	(D)	(E)	(F)		
30-1	1	172A23-72951-3 (A=M/#33361)	PLATE,SLIDE 585 (87)	1							N
30-2	1	172A23-72951-1 (A=M34345)	PLATE, SLIDE	1							S
30-3	1	172A23-72951-N (A=M45501)	PLATE,SLIDE 585	1							S
31	1	22137-140000	WASHER, 14	1							
31-1	1	172A23-72020 (A=M/#30829)	WASHER	1							R
31-2	1	172A23-72020 (A=M/#33361)	WASHER	1							Z
32	1	22217-100000	WASHER, SPRING 10	1							
33	1	22217-100000 (A=M/#31474)	WASHER, SPRING 10	2							Z
34	1	22417-500250 (A=M/#33361)	PIN, COTTER 5.0X25	1							Z
35	1	26076-100202	BOLT, 10.910X 20	2							
35-1	1	26076-100252 (A=M35892)	BOLT, 10.910X 25	2							S
36	1	26116-100162	BOLT, M10X 16 PLATED	1							
37	1	933147-03400	WASHER, BRAKE ARM	1							
38	1	933168-14170	SPRING	2							
39	1	172A46-72070 (A=M/#33361)	SPACER	1							W
40	1	26450-060162 (A=M/#33361)	BOLT, M6X 16	1							W
40-1	1	172A47-72840 (A=M34875)	BOLT	1							N
41	1	172A23-72043 (A=M/#33361)	SHAFT	1							W

Remarks
 (1)Interchangeable by simultaneous replacement with No.35-1.
 (2)A : no mark.
 Interchangeable by Fig.89(45A) No.1.

Fig.89. (45A)BUCKET CYLINDER(K SPEC.)

(A)=VIO20-3(US)
 (B)=VIO20-3(AS)
 (C)=VIO20-3(NZ)

(D)=
 (E)=
 (F)=



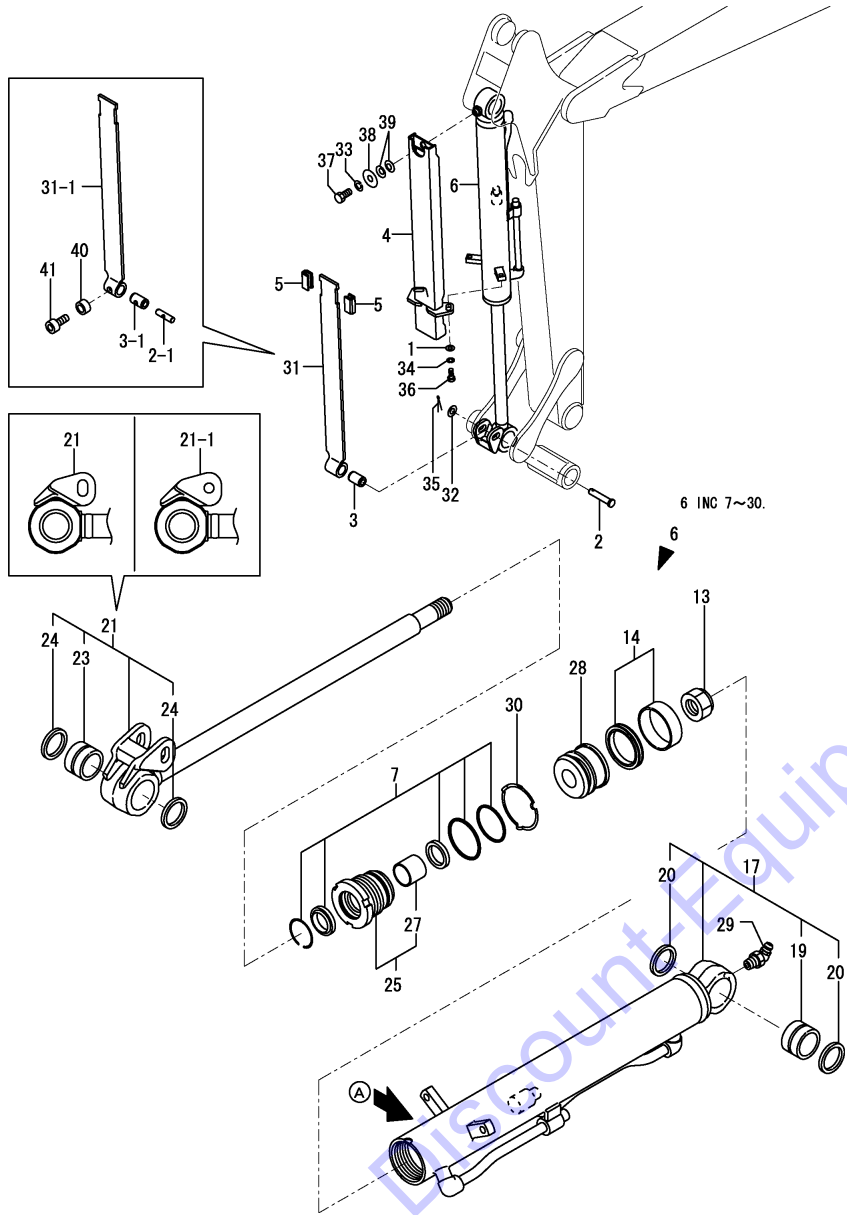
No.	Lev.	Parts No.	Description	Q'ty						I	R
				(A)	(B)	(C)	(D)	(E)	(F)		
1	1	172A23-70700 (A=M3A331)	CYLINDER ASSY, BKT	1							
2	2	172A23-70290	PLUG ASSY	2							
3	3	172A23-70300	PLUG	2							
4	3	172A23-70310	WASHER	2							
5	3	172A23-70320	HOLDER, PIPE	2							
6	3	24315-000150	O-RING, 1BP15.0	4							
7	3	26013-080162	BOLT, M8X 16	2							
8	2	172A23-70710	TUBE ASSY	1							
9	3	172A23-70720	BUSH, PIN 35	1							
10	2	172A23-70730	ROD ASSY	1							
11	3	172A23-70720	BUSH, PIN 35	1							
12	2	172A23-70740	HEAD ASSY	1							
13	3	172A23-70550	BEARING, SLEEVE	1							
14	3	172A23-70560	RING, RETAINING	1							
15	3	172A23-70750	HEAD	1							
16	2	172A23-70780	PISTON ASSY	1							
17	3	172A23-70790	PISTON	1							
18	3	172A23-70800	SCREW, M6	1							
19	3	24190-050002	BALL, STEEL 5/32	1							
20	2	172A23-70810	PIPE ASSY	1							
21	2	172A23-70820	PIPE ASSY	1							
22	2	172A23-70830	SEAL, DUST PIN 35	4							
23	2	172A23-70840	SEAL KIT	1							
24	3	172A23-70850	SEAL KIT, HEAD	1							
25	3	172A23-70860	SEAL KIT, PISTON	1							
26	2	24761-040000	NIPPLE, GREASE B	1							
27	1	172A23-72043	SHAFT	1							
28	1	172A23-72052	GROMMET	1							
29	1	172A46-72070	SPACER	1							
30	1	172A23-72081	GUIDE, SLIDE	2							
31	1	172A79-72570	WASHER	2							
32	1	172A47-72840	BOLT	1							
33	1	172A23-72902-N	GUIDE ASSY, 595	1							
34	1	172A23-72951-N	PLATE,SLIDE 585	1							
35	1	22217-100000	WASHER, SPRING 10	1							
36	1	26076-100252	BOLT, 10.910X 25	2							
37	1	26116-100162	BOLT, M10X 16 PLATED	1							
38	1	933147-03400	WASHER, BRAKE ARM	1							
39	1	933168-14170	SPRING	2							

Remarks

* A : There is parts No. & serial No.(172A23-70700, YSXXX).

N:Old $\frac{Yes}{No}$ New, Q:Old $\frac{No}{Yes}$ New, R:Old $\frac{Yes}{Yes}$ New, S:Old $\frac{No}{No}$ New, W:Add, Z:Discontinued, F:Interchangeable by set, K:Q'ty Change

Fig.46. BUCKET CYLINDER(QUICK COUPLER SPEC.)(Y SPEC.)



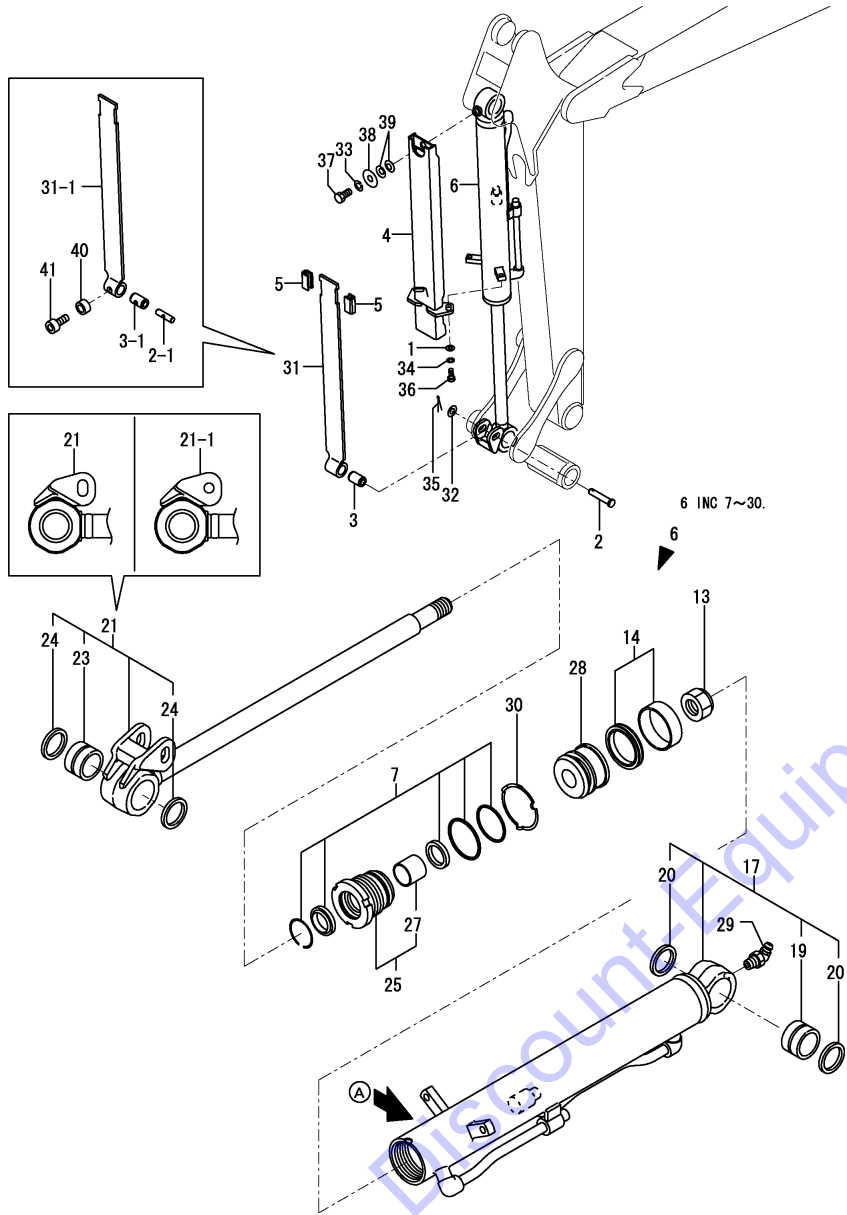
(A)=VIO20-3(US)
(B)=VIO20-3(AS)
(C)=VIO20-3(NZ)

(D)=
(E)=
(F)=

No.	Lev.	Parts No.	Description	Q'ty						I	R
				(A)	(B)	(C)	(D)	(E)	(F)		
1	1	172137-46040	SEAT, SPRING	2	2	2					
1-1	1	172A79-72570	WASHER	2	2	2					F 1
		(A=M35970) (B=M35970) (C=M35970)									
2	1	172A23-72041	PIN	1	1	1					
2-1	1	172A23-72042	PIN	1	1	1					N
		(A=M/#30829) (B=M/#30829) (C=M/#30829)									
2-2	1	172A23-72043	SHAFT	1	1	1					S
		(A=M33669) (B=M33669) (C=M33669)									
3	1	172A23-72050	GROMMET	1	1	1					
3-1	1	172A23-72051	GROMMET	1	1	1					N
		(A=M33669) (B=M33669) (C=M33669)									
3-2	1	172A23-72052	GROMMET	1	1	1					N
		(A=M32796) (B=M32796) (C=M32796)									
4	1	172A23-72901-1	GUIDE ASSY	1	1	1					
4-1	1	172A23-72901-3	GUIDE ASSY, 595	1	1	1					S
		(A=M34345) (B=M34345) (C=M34345)									
4-2	1	172A23-72902-1	GUIDE ASSY, 595	1	1	1					N
		(A=M45001) (B=M45001) (C=M45001)									
4-3	1	172A23-72902-N	GUIDE ASSY, 595	1	1	1					S
		(A=M45501) (B=M45501) (C=M45501)									
4-4	1	172A30-72502-N	CYLINDER, BUCKET Q	1	1	1					Z 2
		(A=M3A348) (B=M3A348) (C=M3A348)									
5	1	172A23-72081	GUIDE, SLIDE	2	2	2					
6	1	172A30-72501-1	CYLINDER ASSY	1	1	1					
6-1	1	172A30-72502-2	CYLINDER ASSY	1	1	1					S
		(A=M33669) (B=M33669) (C=M33669)									
6-2	1	172A30-72502-1	CYLINDER ASSY	1	1	1					S
		(A=M34345) (B=M34345) (C=M34345)									
6-3	1	172A30-72502-N	CYLINDER, BUCKET Q	1	1	1					S
		(A=M45501) (B=M45501) (C=M45501)									
7	2	172457-72050	SEAL SET, HEAD	1	1	1					
13	2	172141-72250	NUT	1	1	1					
14	2	172137-72453	SEAL SET, PISTON 60A	1	1	1					
17	2	172A30-72520-1	TUBE, BUCKET	1	1	1					
17-1	2	172A30-72520-3	TUBE, BUCKET	1	1	1					S
		(A=M34345) (B=M34345) (C=M34345)									
17-2	2	172A30-72520-N	TUBE, BUCKET	1	1	1					S
		(A=M45501) (B=M45501) (C=M45501)									
19	3	172141-72561	BUSH (35-45-30)	1	1	1					
20	3	172448-81610	SEAL, DUST 35X45X4	2	2	2					
21	2	172A30-72540	ROD, BUCKET Q	1	1	1					
21-1	2	172A30-72541	ROD ASSY, BUCKET Q	1	1	1					S
		(A=M33669) (B=M33669) (C=M33669)									
23	3	172141-72561	BUSH (35-45-30)	1	1	1					
24	3	172448-81610	SEAL, DUST 35X45X4	2	2	2					
25	2	172141-72540	HEAD 6035, CYLINDER	1	1	1					
27	3	24550-035300	BUSH, 35X30	1	1	1					
28	2	172956-72560	PISTON 60	1	1	1					
29	2	24761-040000	NIPPLE, GREASE B	1	1	1					
30	2	933125-59600	WASHER 60 B, LOCK	1	1	1					
31	1	172A23-72950-1	PLATE, SLIDE	1	1	1					

Remarks
(1) Interchangeable by simultaneous replacement with No.36-1.
(2) A : no mark.
Interchangeable by Fig.90(46A) No.1.

Fig.46. BUCKET CYLINDER(QUICK COUPLER SPEC.)(Y SPEC.)



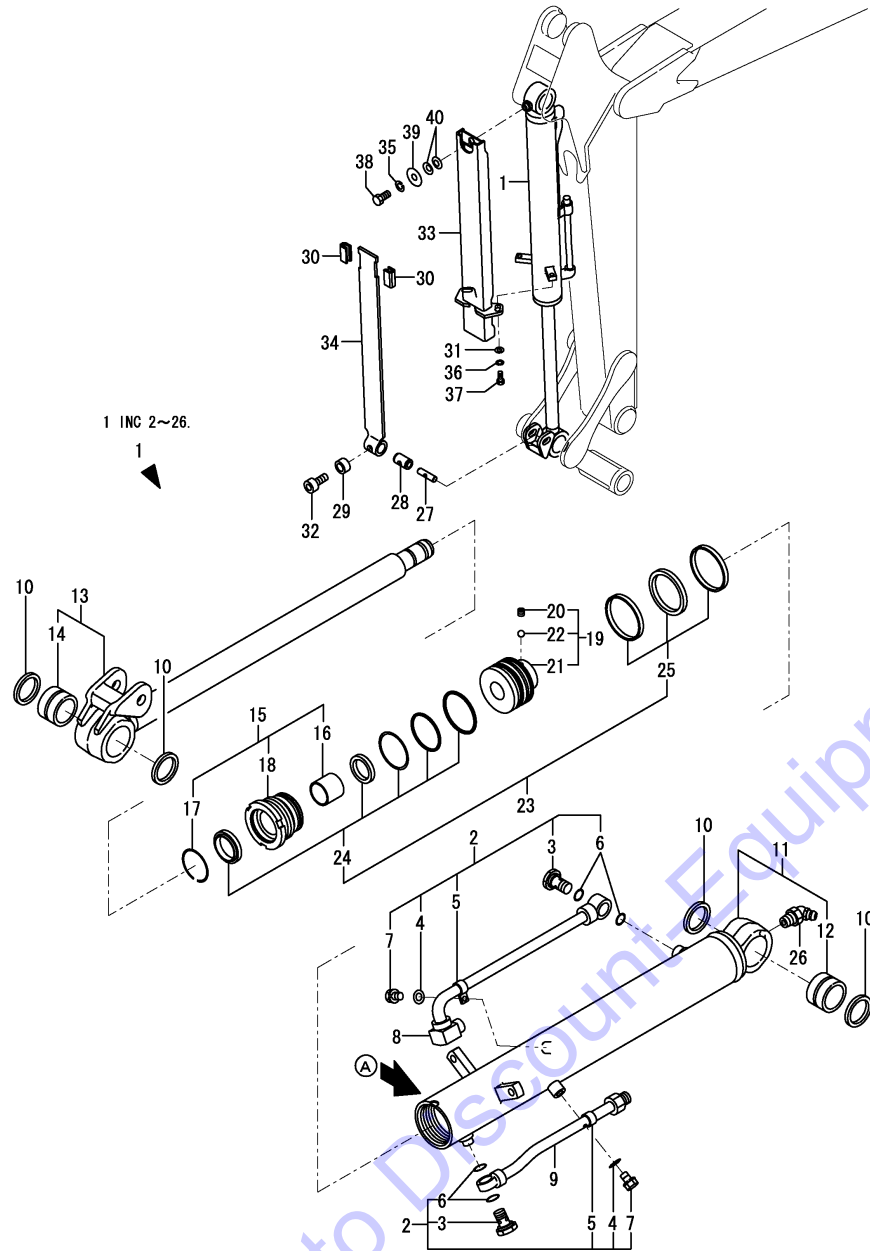
(A)=VIO20-3(US)
(B)=VIO20-3(AS)
(C)=VIO20-3(NZ)

(D)=
(E)=
(F)=

No.	Lev.	Parts No.	Description	Q'ty						I	R
				(A)	(B)	(C)	(D)	(E)	(F)		
31-1	1	172A23-72951-3 (A=M33669) (B=M33669) (C=M33669)	PLATE,SLIDE 585 (87)	1	1	1					N
31-2	1	172A23-72951-1 (A=M34345) (B=M34345) (C=M34345)	PLATE, SLIDE	1	1	1					S
31-3	1	172A23-72951-N (A=M45501) (B=M45501) (C=M45501)	PLATE,SLIDE 585	1	1	1					S
32	1	22137-140000	WASHER, 14	1	1	1					
32-1	1	172A23-72020 (A=M/#30829) (B=M/#30829) (C=M/#30829)	WASHER	1	1	1					R
32-2	1	172A23-72020 (A=M33669) (B=M33669) (C=M33669)	WASHER	1	1	1					Z 1
33	1	22217-100000	WASHER, SPRING 10	1	1	1					
34	1	22217-100000 (A=M/#31474)	WASHER, SPRING 10	2							Z
35	1	22417-500250 (A=M33669)	PIN, COTTER 5.0X25	1							Z
36	1	26076-100202	BOLT, 10.910X 20	2	2	2					
36-1	1	26076-100252 (A=M35970) (B=M35970) (C=M35970)	BOLT, 10.910X 25	2	2	2					S
37	1	26116-100162	BOLT, M10X 16 PLATED	1	1	1					
38	1	933147-03400	WASHER, BRAKE ARM	1	1	1					
39	1	933168-14170	SPRING	2	2	2					
40	1	172A46-72070 (A=M33669) (B=M33669) (C=M33669)	SPACER	1	1	1					W
41	1	26450-060162 (A=M33669) (B=M33669) (C=M33669)	BOLT, M6X 16	1	1	1					W
41-1	1	172A47-72840 (A=M34875) (B=M34875) (C=M34875)	BOLT	1	1	1					N

Remarks
(1)Interchangeable by simultaneous replacement with No.36-1.
(2)A : no mark.
Interchangeable by Fig.90(46A) No.1.

Fig.90. (46A)BUCKET CYLINDER(QUICK COUPLER SPEC.)(K SPEC.)



(A)=VIO20-3(US)
(B)=VIO20-3(AS)
(C)=VIO20-3(NZ)

(D)=
(E)=
(F)=

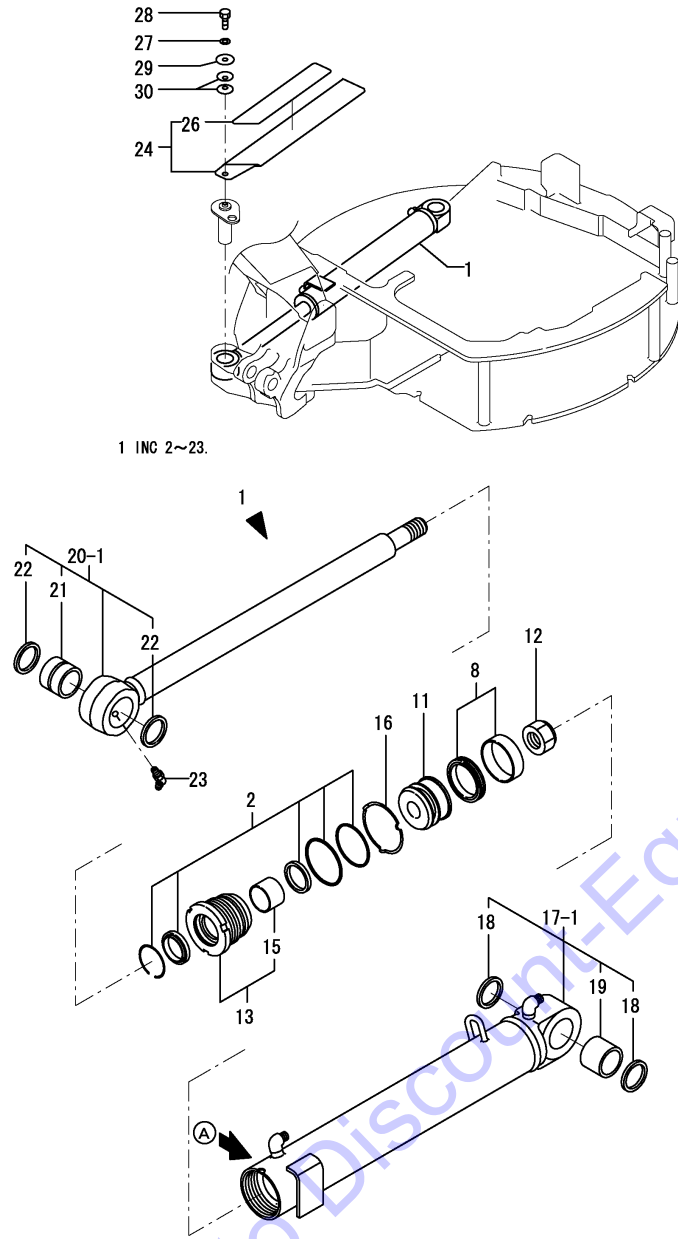
No.	Lev.	Parts No.	Description	Q'ty						I	R
				(A)	(B)	(C)	(D)	(E)	(F)		
1	1	172A23-71100 (A=M3A348) (B=M3A348) (C=M3A348)	CYLINDER ASSY, BKT Q	1	1	1					W
2	2	172A23-70290	PLUG ASSY	2	2	2					
3	3	172A23-70300	PLUG	2	2	2					
4	3	172A23-70310	WASHER	2	2	2					
5	3	172A23-70320	HOLDER, PIPE	2	2	2					
6	3	24315-000150	O-RING, 1BP15.0	4	4	4					
7	3	26013-080162	BOLT, M8X 16	2	2	2					
8	2	172A23-70810	PIPE ASSY	1	1	1					
9	2	172A23-70820	PIPE ASSY	1	1	1					
10	2	172A23-70830	SEAL, DUST PIN 35	4	4	4					
11	2	172A23-71110	TUBE ASSY	1	1	1					
12	3	172A23-70720	BUSH, PIN 35	1	1	1					
13	2	172A23-71120	ROD ASSY	1	1	1					
14	3	172A23-70720	BUSH, PIN 35	1	1	1					
15	2	172A23-71130	HEAD ASSY	1	1	1					
16	3	172A23-70550	BEARING, SLEEVE	1	1	1					
17	3	172A23-70560	RING, RETAINING	1	1	1					
18	3	172A23-71140	HEAD	1	1	1					
19	2	172A23-71170	PISTON ASSY	1	1	1					
20	3	172A23-70800	SCREW, M6	1	1	1					
21	3	172A23-71180	PISTON	1	1	1					
22	3	24190-050002	BALL, STEEL 5/32	1	1	1					
23	2	172A23-71190	SEAL KIT	1	1	1					
24	3	172A23-71200	SEAL KIT, HEAD	1	1	1					
25	3	172A23-71210	SEAL KIT, PISTON	1	1	1					
26	2	24761-040000	NIPPLE, GREASE B	1	1	1					
27	1	172A23-72043	SHAFT	1	1	1					
28	1	172A23-72052	GROMMET	1	1	1					
29	1	172A46-72070	SPACER	1	1	1					
30	1	172A23-72081	GUIDE, SLIDE	2	2	2					
31	1	172A79-72570	WASHER	2	2	2					
32	1	172A47-72840	BOLT	1	1	1					
33	1	172A23-72902-N	GUIDE ASSY, 595	1	1	1					
34	1	172A23-72951-N	PLATE,SLIDE 585	1	1	1					
35	1	22217-100000	WASHER, SPRING 10	1	1	1					
36	1	22217-100000	WASHER, SPRING 10	2	2	2					
37	1	26076-100252	BOLT, 10.910X 25	2	2	2					
38	1	26116-100162	BOLT, M10X 16 PLATED	1	1	1					
39	1	933147-03400	WASHER, BRAKE ARM	1	1	1					
40	1	933168-14170	SPRING	2	2	2					

Remarks

* A : There is parts No. & serial No.(172A23-71100, YSXXX).

N:Old $\frac{Yes}{No}$ New, Q:Old $\frac{No}{Yes}$ New, R:Old $\frac{Yes}{Yes}$ New, S:Old $\frac{No}{No}$ New, W:Add, Z:Discontinued, F:Interchangeable by set, K:Q'ty Change

Fig.47. SWING CYLINDER(Y SPEC.)



(A)=VIO20-3(US)
 (B)=VIO20-3(AS)
 (C)=VIO20-3(NZ)

(D)=
 (E)=
 (F)=

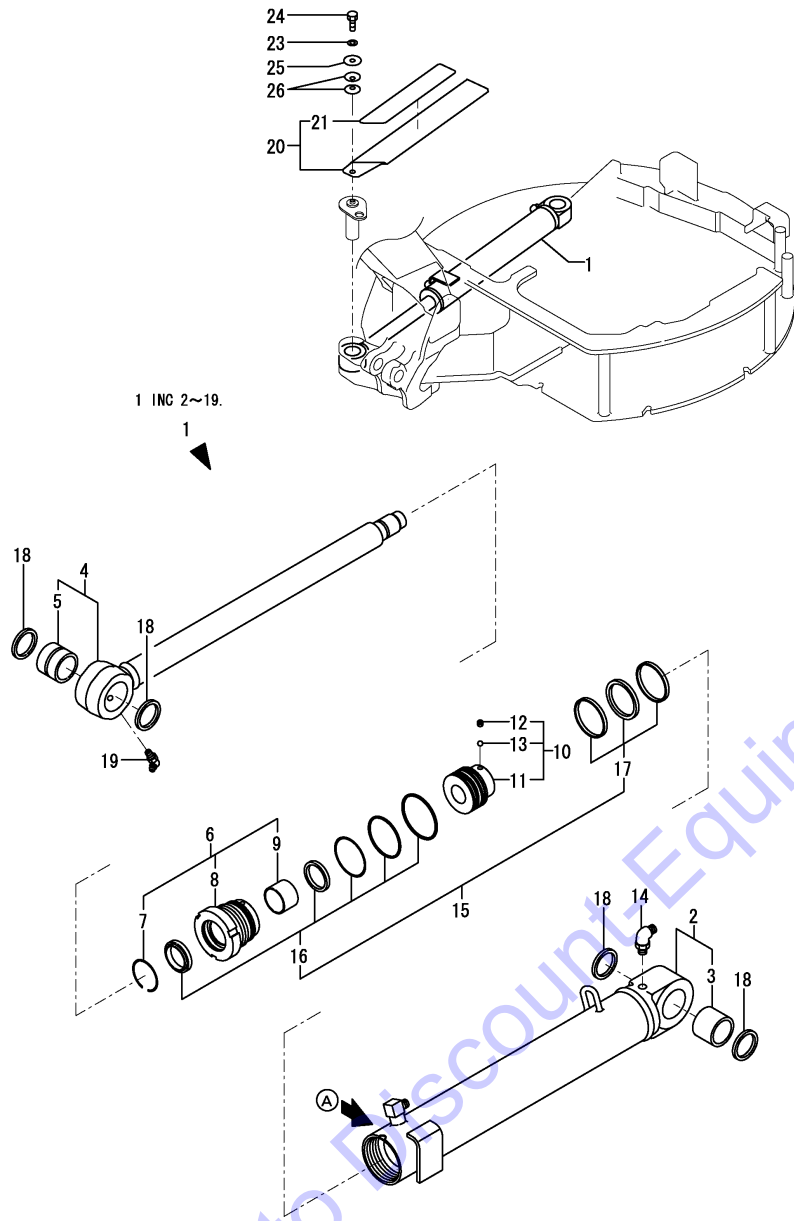
No.	Lev.	Parts No.	Description	Q'ty						I	R
				(A)	(B)	(C)	(D)	(E)	(F)		
1	1	172456-72700-1	CYLINDER ASSY, SWING	1	1	1					
1-1	1	172456-72700-2	CYLINDER ASSY, SWING	1	1	1					S
		(A=M/#32643) (B=M/#32643) (C=M/#32643)									
1-2	1	172456-72700-2	CYLINDER ASSY, SWING	1	1	1					Z 1
		(A=M3A331) (B=M3A331) (C=M3A331)									
2	2	172456-72050	SEAL SET, HEAD	1	1	1					
8	2	172460-72070	SEAL SET, PISTON	1	1	1					
11	2	172456-72190	PISTON	1	1	1					
12	2	172141-72250	NUT	1	1	1					
13	2	172143-72400	HEAD 70 40	1	1	1					
15	3	24550-040300	BUSH, 40X30	1	1	1					
16	2	172141-72420	WASHER, LOCK	1	1	1					
17-1	2	172456-72850-1	TUBE ASSY, SWING	1	1	1					
17-2	2	172456-72850-2	TUBE ASSY, SWING	1	1	1					S
		(A=M/#32643) (B=M/#32643) (C=M/#32643)									
18	3	172448-72650	SEAL, DUST	2	2	2					
19	3	172458-72740	BUSH	1	1	1					
20-1	2	172456-72860	ROD ASSY, SWING	1	1	1					
21	3	172165-72310	BUSH	1	1	1					
22	3	172448-72650	SEAL, DUST	2	2	2					
23	2	24761-050000	NIPPLE, GREASE C	1	1	1					
24	1	172456-72790-1	COVER, SWING	1	1	1					
24-1	1	172456-72790-2	COVER, SWING	1	1	1					S
		(A=M/#32643) (B=M/#32643) (C=M/#32643)									
26	2	172456-72830	SEAT, COVER	1	1	1					
26-1	2	172164-62431	SHEET	1	1	1					R
		(A=M36153) (B=M36153) (C=M36153)									
27	1	22217-100000	WASHER, SPRING 10	1	1	1					
28	1	26116-100162	BOLT, M10X 16 PLATED	1	1	1					
29	1	933147-03400	WASHER, BRAKE ARM	1	1	1					
30	1	933168-14170	SPRING	2	2	2					

Remarks
 (1)A : no mark.
 Interchangeable by Fig.91(47A) No.1.

Fig.91. (47A)SWING CYLINDER(K SPEC.)

(A)=VIO20-3(US)
 (B)=VIO20-3(AS)
 (C)=VIO20-3(NZ)

(D)=
 (E)=
 (F)=



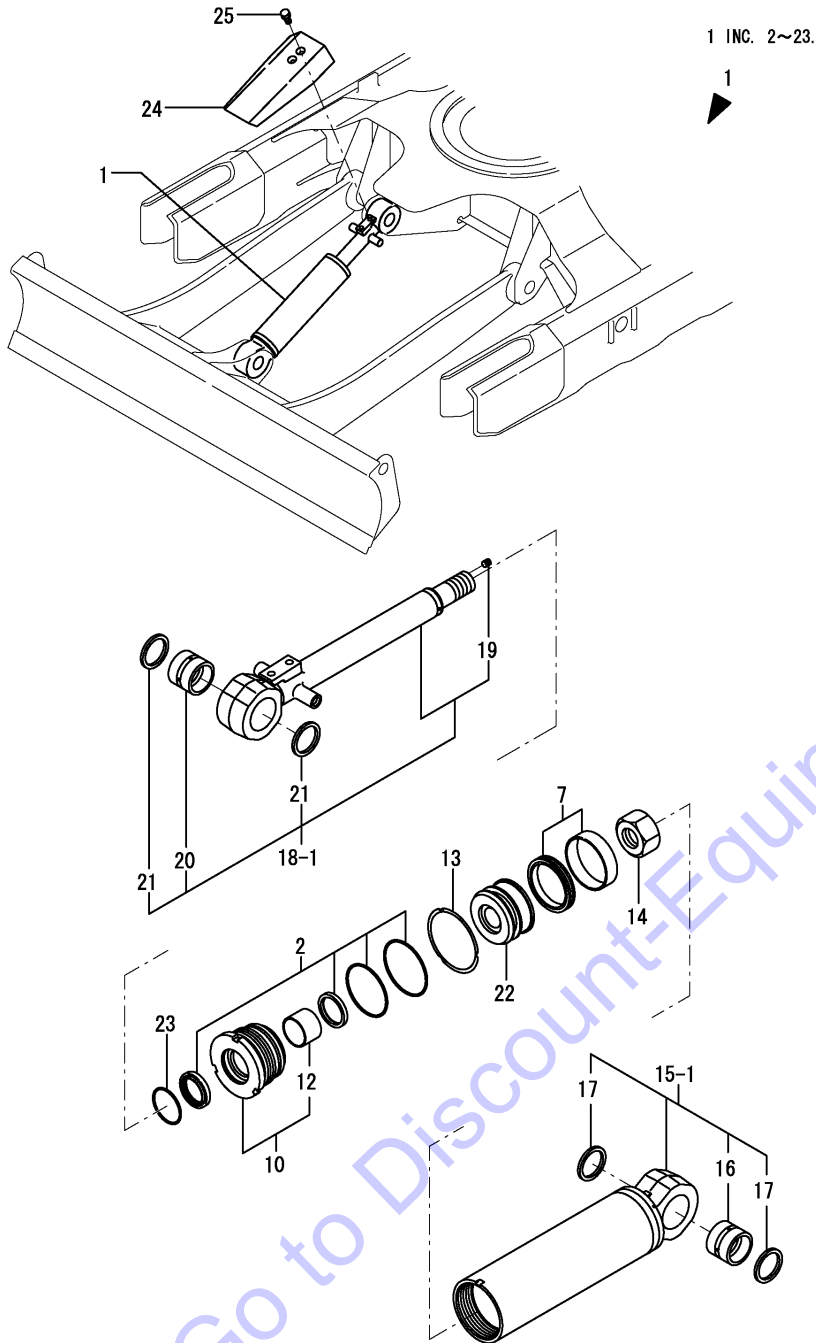
No.	Lev.	Parts No.	Description	Q'ty						I	R
				(A)	(B)	(C)	(D)	(E)	(F)		
1	1	172A23-71400 (A=M3A331) (B=M3A331) (C=M3A331)	CYLINDER ASSY, SWING	1	1	1					W
2	2	172A23-71410	TUBE ASSY	1	1	1					
3	3	172A23-71420	BUSH, PIN 40	1	1	1					
4	2	172A23-71430	ROD ASSY	1	1	1					
5	3	172A23-70120	BUSH, PIN 40	1	1	1					
6	2	172A23-71440	HEAD ASSY	1	1	1					
7	3	172A23-70210	RING, RETAINING	1	1	1					
8	3	172A23-71450	HEAD	1	1	1					
9	3	172A23-71460	BEARING, SLEEVE	1	1	1					
10	2	172A23-71470	PISTON ASSY	1	1	1					
11	3	172A23-71480	PISTON	1	1	1					
12	3	172A79-72870	SCREW,M8	1	1	1					
13	3	24190-070002	BALL, STEEL 7/32	1	1	1					
14	2	172A23-71490	ELBOW, G1/4	1	1	1					
15	2	172A23-71500	SEAL KIT	1	1	1					
16	3	172A23-71510	SEAL KIT, HEAD	1	1	1					
17	3	172B04-72690	SEAL SET,PISTON 70	1	1	1					
18	2	172B04-72770	SEAL,DUST 40	4	4	4					
19	2	24761-050000	NIPPLE, GREASE C	1	1	1					
20	1	172456-72790-2	COVER, SWING			1	1				
21	2	172164-62431	SHEET			1	1				
23	1	22217-100000	WASHER, SPRING 10			1	1				
24	1	26116-100162	BOLT, M10X 16 PLATED			1	1				
25	1	933147-03400	WASHER, BRAKE ARM			1	1				
26	1	933168-14170	SPRING			2	2				

Remarks

* A : There is parts No. & serial No.(172A23-71400, YSXXX).

N:Old $\begin{matrix} \text{Yes} \\ \text{No} \end{matrix}$ New, Q:Old $\begin{matrix} \text{No} \\ \text{Yes} \end{matrix}$ New, R:Old $\begin{matrix} \text{Yes} \\ \text{No} \end{matrix}$ New, S:Old $\begin{matrix} \text{No} \\ \text{Yes} \end{matrix}$ New, W:Add, Z:Discontinued, F:Interchangeable by set, K:Q'ty Change

Fig.48. BLADE CYLINDER



(A)=VIO20-3(US)
 (B)=VIO20-3(AS)
 (C)=VIO20-3(NZ)

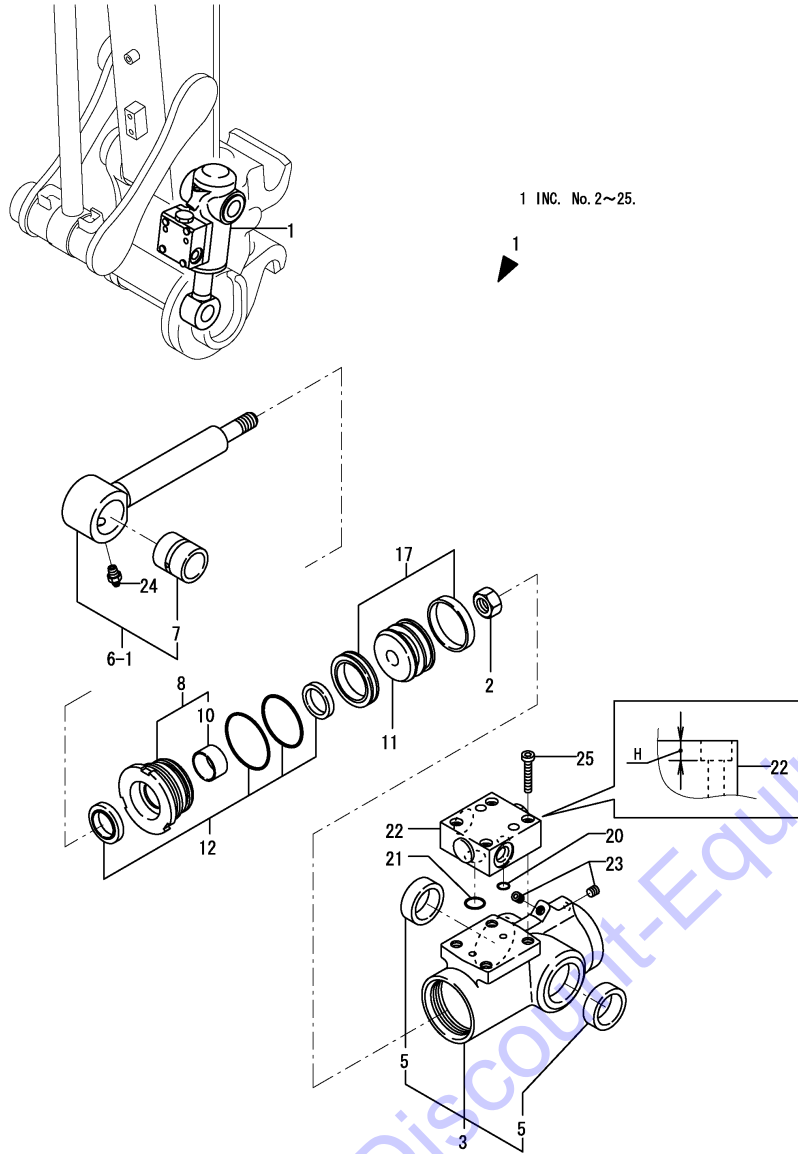
(D)=
 (E)=
 (F)=

No.	Lev.	Parts No.	Description	Q'ty						I	R
				(A)	(B)	(C)	(D)	(E)	(F)		
1	1	172421-72700-1	CYLINDER ASSY, BLADE	1	1	1					
1-1	1	172421-72700-2	CYLINDER ASSY, BLADE	1	1	1					S
		(A=M/#32643) (B=M/#32643) (C=M/#32643)									
2	2	172168-72020	SEAL SET, HEAD 70X40	1	1	1					
7	2	172460-72070	SEAL SET, PISTON	1	1	1					
10	2	172143-72400	HEAD 70 40	1	1	1					
12	3	24550-040300	BUSH, 40X30	1	1	1					
13	2	172141-72420	WASHER, LOCK	1	1	1					
14	2	172175-72550	NUT	1	1	1					
15-1	2	172421-72610-1	TUBE ASSY, BLADE	1	1	1					
15-2	2	172421-72610-2	TUBE ASSY, BLADE	1	1	1					S
		(A=M/#32643) (B=M/#32643) (C=M/#32643)									
16	3	172168-72240	BUSH	1	1	1					
17	3	172168-81270	SEAL, DUST	2	2	2					
18-1	2	172421-72620	ROD ASSY, BLADE	1	1	1					
19	4	23871-005000	PLUG, R005	1	1	1					
20	3	172168-72240	BUSH	1	1	1					
21	3	172168-81270	SEAL, DUST	2	2	2					
22	2	172421-72770	PISTON	1	1	1					
23	2	933111-26600	RING, SPRING	1	1	1					
24	1	172422-72790-3	COVER, BLADE	1	1	1					
24-1	1	172422-72790-2	COVER, BLADE	1	1	1					S
		(A=M/#32643) (B=M/#32643) (C=M/#32643)									
24-2	1	172422-72791-5	COVER, BLADE	1	1	1					N
		(A=M/#35241) (B=M/#35241) (C=M/#35241)									
24-3	1	172A23-72800	COVER ASSY, BLADE	1	1	1					N
		(A=M45001) (B=M45001) (C=M45001)									
25	1	26013-100202	BOLT, M10X 20	2	2	2					

Fig.49. HITCH CYLINDER(QUICK COUPLER)(Y SPEC.)

(A)=VIO20-3(US)
(B)=VIO20-3(AS)
(C)=VIO20-3(NZ)

(D)=
(E)=
(F)=



No.	Lev.	Parts No.	Description	Q'ty						I	R
				(A)	(B)	(C)	(D)	(E)	(F)		
1	1	172956-72800-1	CYLINDER ASSY, HITCH	1	1	1					
1-1	1	172956-72800-3	CYLINDER ASSY, HITCH	1	1	1					S
		(A=M34345) (B=M34345) (C=M34345)									
1-2	1	172956-72800-N	CYLINDER ASSY, HITCH	1	1	1					S
		(A=M45501) (B=M45501) (C=M45501)									
2	2	172156-72400	NUT	1	1	1					
3	2	172956-72810-1	TUBE, HITCH	1	1	1					
3-1	2	172956-72810-3	TUBE, HITCH	1	1	1					S
		(A=M34345) (B=M34345) (C=M34345)									
3-2	2	172956-72810-N	TUBE, HITCH	1	1	1					S
		(A=M45501) (B=M45501) (C=M45501)									
5	3	172956-72880	BUSH (25-33-14.5)	2	2	2					
6-1	2	172956-72920	ROD ASSY,HITCH	1	1	1					
7	3	172156-84440	BUSH 25X 35	1	1	1					
8	2	172956-72860	HEAD ASSY 45 25	1	1	1					
10	3	24550-025150	BUSH, 25X15	1	1	1					
11	2	172956-72890	PISTON 45 25	1	1	1					
12	2	172956-72900	SEAL SET, HEAD 45 25	1	1	1					
17	2	172956-72910	SEAL SET, PISTON	1	1	1					
20	2	172958-72950	O-RING	1	1	1					
21	2	172958-72960	O-RING	1	1	1					
22	2	172958-72982-1	VALVE, CHECK	1	1	1					
22-1	2	172958-72982-2	VALVE, CHECK	1	1	1					S
		(A=M34345) (B=M34345) (C=M34345)									
22-2	2	172958-72983	VALVE ASSY,OPERATE	1	1	1					F 1
		(A=MZZZZZ) (B=MZZZZZ) (C=MZZZZZ)									
22-3	2	172958-72983-N	VALVE ASSY,OPERATE	1	1	1					S
		(A=M45501) (B=M45501) (C=M45501)									
23	2	23871-005000	PLUG, R005	2	2	2					
24	2	24761-020000	NIPPLE, GREASE PT1/8	1	1	1					
25	2	26450-060352	BOLT, M6X 35	4	4	4					
25-1	2	26450-060302	BOLT, M6X 30	1	1	1					S
		(A=MZZZZZ) (B=MZZZZZ) (C=MZZZZZ)									

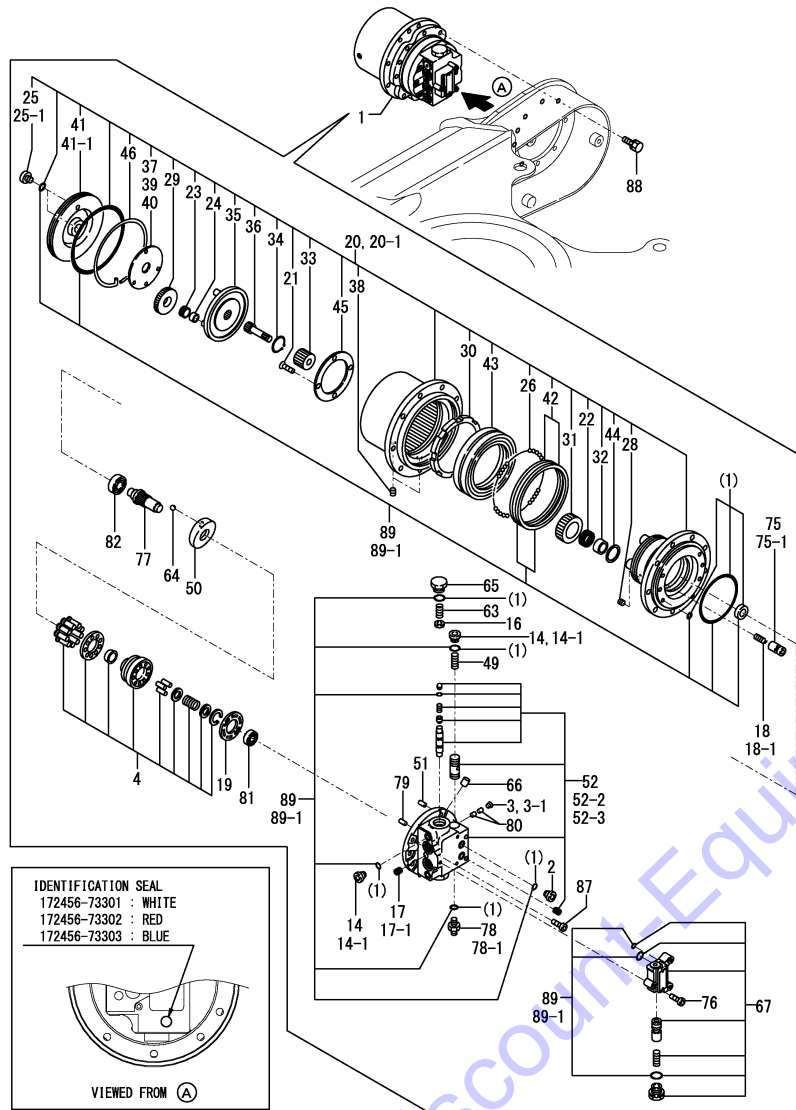
Remarks

* This figure is applied quick coupler specification made by YANMAR.
(2)H=No.22-1 : 4mm, No.22-2 : 8mm
Interchangeable by simultaneous replacement with No.25-1.

Fig.50. TRAVEL MOTOR

(A)=VIO20-3(US)
 (B)=VIO20-3(AS)
 (C)=VIO20-3(NZ)

(D)=
 (E)=
 (F)=



No.	Lev.	Parts No.	Description	Qty						I	R
				(A)	(B)	(C)	(D)	(E)	(F)		
1	1	172456-73300	MOTOR ASSY, TRAVEL	2	2	2					
1-1	1	172456-73301	MOTOR ASSY, TRAVEL	2	2	2					N 1
		(A=M/#31553) (B=M/#31553) (C=M/#31553)									
1-2	1	172456-73302	MOTOR ASSY, TRAVEL	2	2	2					N 2
		(A=M33831) (B=M33831) (C=M33831)									
1-3	1	172456-73303	MOTOR ASSY, TRAVELING	2	2	2					N 3
		(A=M46231) (B=M46231) (C=MEF198)									
2	2	1A6240-37360	PLUG	4	4	4					
3	2	172147-70220	PLUG	4	4	4					2
3-1	2	172B03-73330	PLUG	4	4	4					S 5
		(A=M46231) (B=M46231) (C=MEF198)									
4	2	172450-73620	BLOCK KIT, CYLINDER	2	2	2					
4-1	2	172450-73621	CYLINDER BLOCK KIT	2	2	2					N
		(A=M46231) (B=M46231) (C=MEF198)									
14	2	172148-70301	PLUG	6	6	6					Z 1
		(A=M33831) (B=M33831) (C=M33831)									
14-1	2	172A23-73530	PLUG	6	6	6					W 2
		(A=M33831) (B=M33831) (C=M33831)									
16	2	172141-70450	SEAT, SPRING	4	4	4					
17	2	172162-70780	PLUG	2	2	2					2
17-1	2	172B03-73340	PLUG, M10X1.5	2	2	2					S 5
		(A=M46231) (B=M46231) (C=MEF198)									
18	2	172168-71950	SPRING	4	4	4					1
18-1	2	172168-71951	SPRING	4	4	4					S 2
		(A=M33831) (B=M33831) (C=M33831)									
19	2	172638-73330	PLATE, VALVE	2	2	2					
19-1	2	172B03-73290	PLATE, VALVE	2	2	2					N
		(A=M46231) (B=M46231) (C=MEF198)									
20	2	172456-73340	GEAR, REDUCTION	2	2	2					Z 1
		(A=M33831) (B=M33831) (C=M33831)									
20-1	2	172A23-73510	GEAR, REDUCTION	2	2	2					W 2
		(A=M33831) (B=M33831) (C=M33831)									
20-2	2	172A23-73511	REDUCTION GEAR	2	2	2					N
		(A=M46231) (B=M46231) (C=MEF198)									
21	3	172141-70110	SCREW	8	8	8					
22	3	172147-70120	GAUGE ASSY	8	8	8					
23	3	172141-70150	GAUGE, W/ROLLER	6	6	6					
24	3	172141-70160	RACE, INNER	6	6	6					
25	3	172148-70301	PLUG	4	4	4					
25-1	3	172147-70500	PLUG	4	4	4					S 4
		(A=M46231) (B=M46231) (C=MEF198)									
26	3	172122-70350	BALL, STEEL	218	218	218					
28	3	172450-73330	PLUG	4	4	4					
29	3	172421-73350	GEAR, PLANETARY	6	6	6					
30	3	172456-73350	NUT, RING	2	2	2					
30-1	3	172456-73351	NUT, RING	2	2	2					N
		(A=M35238) (B=M35238) (C=M35238)									
31	3	172456-73360	GEAR, PLANETARY	8	8	8					
32	3	172456-73370	INNER RACE	8	8	8					
33	3	172456-73380	GEAR, SUN	2	2	2					
33-1	3	172456-73980	SUN GEAR	2	2	2					R

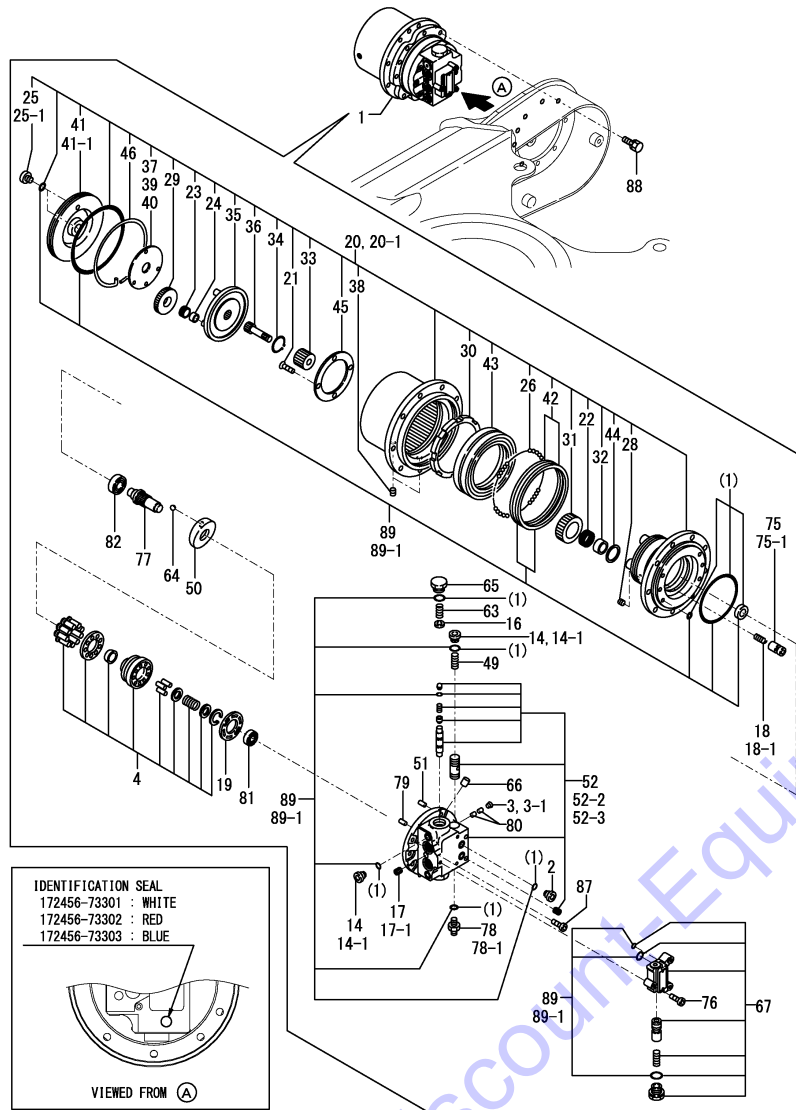
Remarks

- (1) Identification seal = White.
- (2) Identification seal = Red.
- (3) IDENTIFICATION SEAL COLOR: BLUE
- (4) No.25 is PF: 1/4, No.25-1 is PF: 3/8
No.25-1 & 41-1 interchangeable by set.
- (5) IDENTIFICATION SEAL COLOR: BLUE
No.3-1, 17-1 & 52-3 interchangeable by set.

Fig.50. TRAVEL MOTOR

(A)=VIO20-3(US)
 (B)=VIO20-3(AS)
 (C)=VIO20-3(NZ)

(D)=
 (E)=
 (F)=



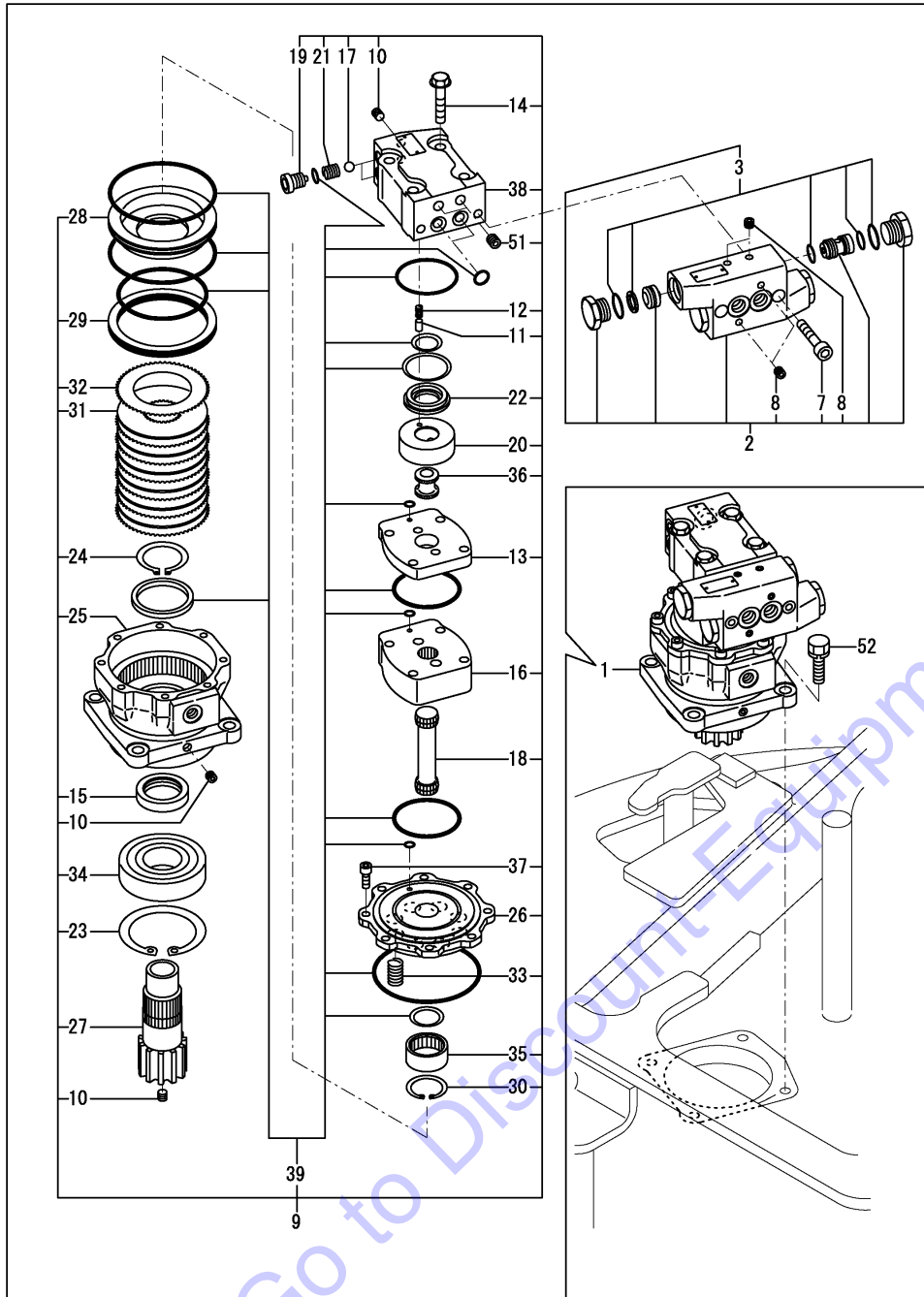
Remarks

- (1)Identification seal = White.
- (2)Identification seal = Red.
- (3)IDENTIFICATION SEAL COLOR:BLUE
- (4)No.25 is PF : 1/4, No.25-1 is PF : 3/8
No.25-1 & 41-1 interchangeable by set.
- (5)IDENTIFICATION SEAL COLOR:BLUE
No.3-1, 17-1 & 52-3 interchangeable by set.

No.	Lev.	Parts No.	Description	Q'ty						I	R
				(A)	(B)	(C)	(D)	(E)	(F)		
		(A=M35238) (B=M35238) (C=M35238)									
34	3	172456-73390	SNAP RING	2	2	2					
35	3	172456-73400	HOLDER	2	2	2					
36	3	172456-73410	GEAR, DRIVE	2	2	2					
37	3	172456-73420	THRUST PLATE	2	2	2					
38	3	172122-73430	PLUG	4	4	4					
39	3	172456-73430	THRUST PLATE	2	2	2					
40	3	172456-73440	THRUST PLATE	2	2	2					
41	3	172456-73450	COVER	2	2	2					
41-1	3	172B16-73380	COVER	2	2	2				S	4
		(A=M46231) (B=M46231) (C=MEF198)									
42	3	172183-73510	SEAL, FLOATING	2	2	2					
43	3	172183-73520	BEARING	2	2	2					
44	3	172183-73560	WASHER, THRUST	8	8	8					
45	3	172183-73570	PLATE, THRUST	2	2	2					
46	3	172183-73660	WIRE	2	2	2					
49	2	172421-73400	SPRING	2	2	2					
50	2	172456-73460	PLATE	2	2	2					
50-1	2	172456-73461	PLATE	2	2	2					N
		(A=M35238) (B=M35238) (C=M35238)									
51	2	172122-73470	PIN	2	2	2					
52	2	172456-73330	BASE PLATE ASSY	2	2	2					
52-1	2	172456-73331	BASE PLATE KIT	2	2	2					N 1
		(A=M/#31553) (B=M/#31553) (C=M/#31553)									
52-2	2	172A23-73550	PLATE KIT, BASE	2	2	2					S 2
		(A=M33831) (B=M33831) (C=M33831)									
52-3	2	172A23-73551	PLATE KIT, BASE	2	2	2					S 5
		(A=M46231) (B=M46231) (C=MEF198)									
63	2	172456-73500	SPRING	4	4	4					
64	2	172450-73510	BALL, STEEL	4	4	4					
65	2	172456-73510	CAP	4	4	4					
66	2	172456-73520	ORIFICE	4	4	4					
67	2	172456-73540	VALVE ASSY	2	2	2					
75	2	172450-73550	PISTON ASSY	4	4	4					1
75-1	2	172450-73551	PISTON ASSY	4	4	4					S 2
		(A=M33831) (B=M33831) (C=M33831)									
76	2	172456-73570	BOLT, SOCKET HEAD	6	6	6					
77	2	172183-73670	SHAFT	2	2	2					
78	2	172183-73780	PLUG	2	2	2					Z 1
		(A=M33831) (B=M33831) (C=M33831)									
78-1	2	172A23-73540	PLUG	2	2	2					W 2
		(A=M33831) (B=M33831) (C=M33831)									
79	2	172122-73480	PIN	4	4	4					
80	2	172312-74790	ORIFICE	8	8	8					
81	2	24101-060024	BEARING, BALL 6002	2	2	2					
82	2	24101-060044	BEARING, BALL 6004	2	2	2					
87	2	26450-080202	BOLT, M8X 20	12	12	12					
88	1	26013-100252	BOLT, M10X 25	16	16	16					
89	1	172456-73320	SEAL SET	2	2	2					2
89-1	1	172B16-73350	SEAL KIT, MOTOR	2	2	2					S 3
		(A=M46231) (B=M46231) (C=MEF198)									

No:Old $\frac{Yes}{No}$ New, Q:Old $\frac{No}{Yes}$ New, R:Old $\frac{Yes}{Yes}$ New, S:Old $\frac{No}{No}$ New, W:Add, Z:Discontinued, F:Interchangeable by set, K:Q'ty Change

Fig.51. TURNING MOTOR



(A)=VIO20-3(US)
(B)=VIO20-3(AS)
(C)=VIO20-3(NZ)

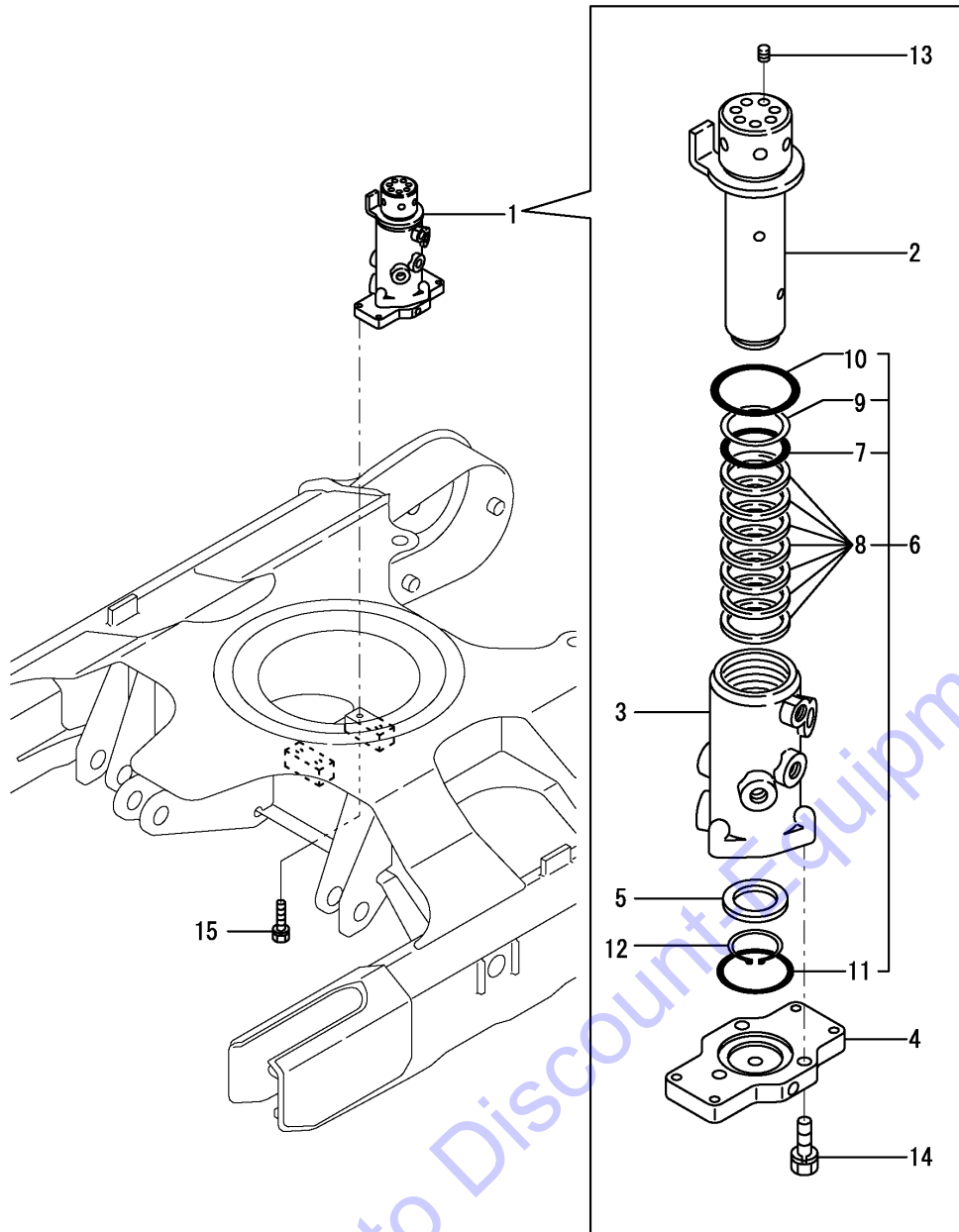
(D)=
(E)=
(F)=

No.	Lev.	Parts No.	Description	Q'ty						I	R
				(A)	(B)	(C)	(D)	(E)	(F)		
1	1	172456-73310	MOTOR, SWING	1	1	1					
1-1	1	172456-73311	MOTOR ASSY, SWING	1	1	1					N
		(A=*2015.06.) (B=*2015.06.) (C=*2015.06.)									
2	2	172456-77100	VALVE	1	1	1					
2-1	2	172456-77101	VALVE ASSY, SHOCKLESS	1	1	1					N
		(A=*2015.06.) (B=*2015.06.) (C=*2015.06.)									
3	3	172456-77110	SEAL SET, VALVE	1	1	1					
7	3	172456-77130	BOLT 6*65	2	2	2					
8	3	23871-010000	PLUG, R01	6	6	6					
9	2	172456-77140	MOTOR, SWING	1	1	1					
10	3	172137-70490	PLUG	4	4	4					
11	3	172137-70570	PIN	2	2	2					
12	3	172137-70580	SPRING	2	2	2					
13	3	172148-73350	PLATE, VALVE	1	1	1					
14	3	172173-73510	BOLT 12X40	4	4	4					
15	3	172173-73520	COLLAR	1	1	1					
16	3	172173-73570	GEROLLER	1	1	1					
17	3	172168-73580	BALL	2	2	2					
18	3	172173-73580	DRIVE	1	1	1					
19	3	172168-73590	PLUG	2	2	2					
20	3	172173-73590	VALVE	1	1	1					
21	3	172168-73600	SPRING	2	2	2					
22	3	172173-73600	RING, BALANCING	1	1	1					
23	3	172173-73690	SNAP RING	1	1	1					
24	3	172173-73700	CIRCLIP	1	1	1					
25	3	172456-77150	HOUSING, BEARING	1	1	1					
26	3	172456-77160	FLANGE, MOUTING	1	1	1					
27	3	172456-77170	GEAR, PINION	1	1	1					
28	3	172456-77180	PISTON, HYDRAULIC	1	1	1					
29	3	172456-77190	RING	1	1	1					
30	3	172456-77200	CIRCLIP	1	1	1					
31	3	172456-77210	PLATE, FRICTION	6	6	6					
32	3	172456-77220	PLATE	7	7	7					
33	3	172456-77230	SPRING	8	8	8					
34	3	172456-77240	FRONT BEARING	1	1	1					
35	3	172456-77250	NEEDLE BEARING	1	1	1					
36	3	172141-77260	DRIVE, VALVE	1	1	1					
37	3	172456-77270	BOLT 6*65	8	8	8					
38	3	172456-77280	HOUSING, VALVE	1	1	1					
39	3	172456-77290	SEAL SET	1	1	1					
51	3	172141-77400	PLUG, BLIND	2	2	2					
52	1	26013-120402	BOLT, M12X 40	4	4	4					

Fig.52. SWIVEL JOINT(Y SPEC.)TO M39318

(A)=VIO20-3(US)
 (B)=VIO20-3(AS)
 (C)=VIO20-3(NZ)

(D)=
 (E)=
 (F)=



No.	Lev.	Parts No.	Description	Q'ty						I	R
				(A)	(B)	(C)	(D)	(E)	(F)		
1	1	172444-73802	JOINT ASSY, SWIVEL	1	1	1					
1-1	1	172444-73803	JOINT ASSY, SWIVEL	1	1	1					R
		(A=M/#32916) (B=M/#32916) (C=M/#32916)									
1-2	1	172444-73803	JOINT ASSY, SWIVEL	1	1	1					Z 1
		(A=M39319) (B=M39319) (C=M39319)									
2	2	172444-73810	SHAFT ASSY, SWIVEL	1	1	1					
3	2	172444-73831	HUB, SWIVEL	1	1	1					
4	2	172444-73840	FLANGE, SWIVEL	1	1	1					
5	2	172137-73860	SPACER, SWIVEL	1	1	1					
6	2	172444-73880	SEAL SET, SWIVEL	1	1	1					
7	3	172142-73800	O-RING, 55.76X5.7	1	1	1					
8	3	172458-73820	SEAL, SWIVEL	7	7	7					
8-1	3	172447-73840	SEAL	7	7	7					R
		(A=M/#32916) (B=M/#32916) (C=M/#32916)									
9	3	172148-73870	RING, BUCK UP	1	1	1					
10	3	24311-000750	O-RING, 1AP75.0	1	1	1					
11	3	24321-000700	O-RING, 1AG70.0	1	1	1					
12	2	22242-000451	RING, 45	1	1	1					
13	2	23871-020000	PLUG, R02	7	7	7					
14	2	26013-100352	BOLT, M10X 35	3	3	3					
15	1	26013-100402	BOLT, M10X 40	4	4	4					

Remarks

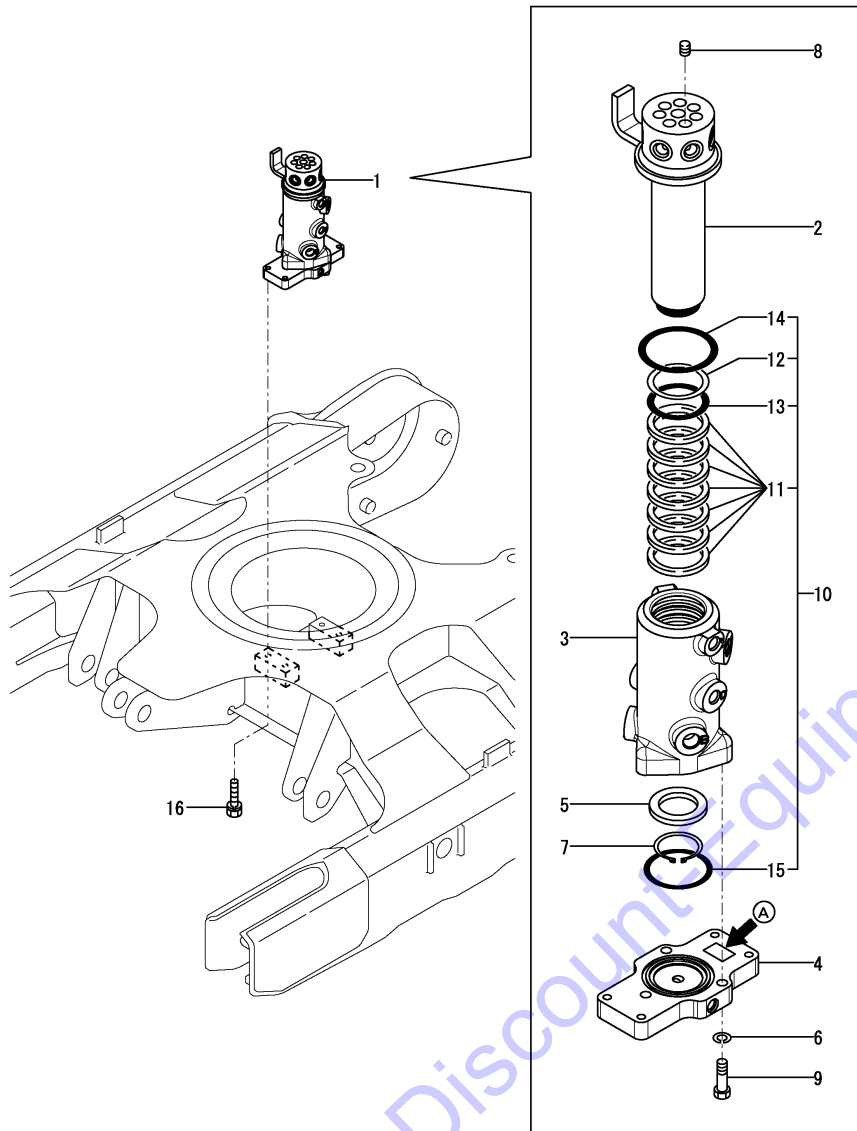
(1)Compatibility by assembly exchange with parts of Fig.86(52A) No.1.

N:Old $\begin{matrix} \text{Yes} \\ \text{No} \end{matrix}$ New, Q:Old $\begin{matrix} \text{No} \\ \text{Yes} \end{matrix}$ New, R:Old $\begin{matrix} \text{Yes} \\ \text{No} \end{matrix}$ New, S:Old $\begin{matrix} \text{No} \\ \text{Yes} \end{matrix}$ New, W:Add, Z:Discontinued, F:Interchangeable by set, K:Q'ty Change

Fig.86. (52A)SWIVEL JOINT(N SPEC.)(FROM M39319)

(A)=VIO20-3(US)
 (B)=VIO20-3(AS)
 (C)=VIO20-3(NZ)

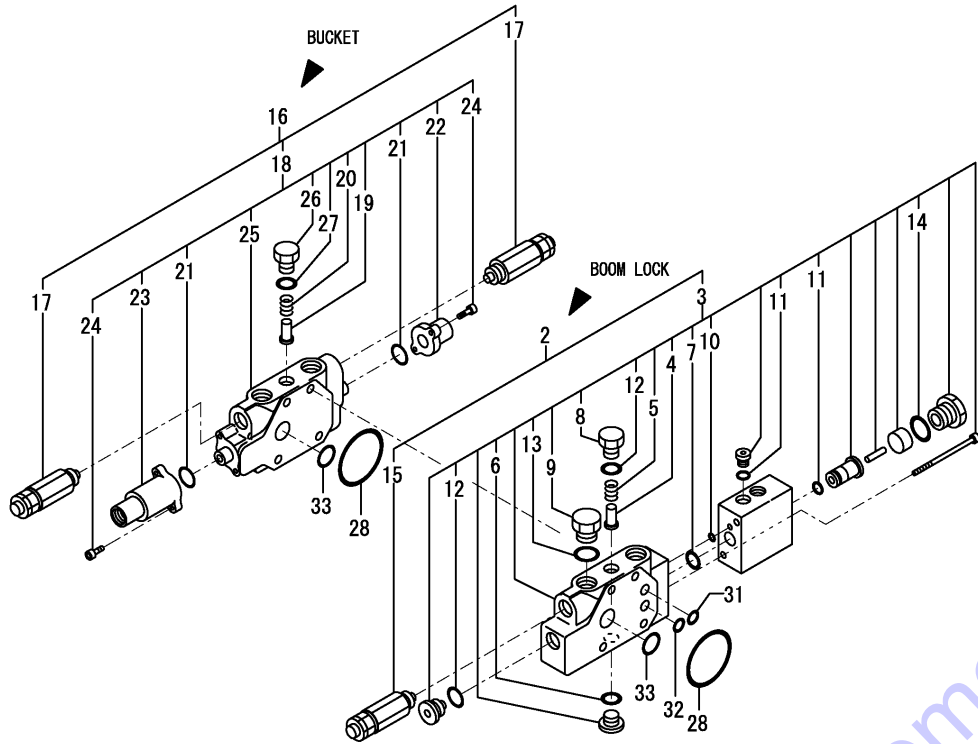
(D)=
 (E)=
 (F)=



No.	Lev.	Parts No.	Description	Q'ty						I	R	
				(A)	(B)	(C)	(D)	(E)	(F)			
1	1	172B02-73800 (A=M39319) (B=M39319) (C=M39319)	JOINT ASSY, SWIVEL	1	1	1					W	1
2	2	172B02-73810	SHAFT ASSY, SWIVEL	1	1	1						
3	2	172B02-73840	HUB, SWIVEL	1	1	1						
4	2	172B02-73850	FLANGE, SWIVEL	1	1	1						
5	2	172B02-73860	SPACER, SWIVEL	1	1	1						
6	2	22217-100000	WASHER, SPRING 10	3	3	3						
7	2	22242-000451	RING, 45	1	1	1						
8	2	23871-020000	PLUG, R02	7	7	7						
9	2	26076-100352	BOLT, 10.910X 35	3	3	3						
10	2	172B02-73900	SEAL KIT, SWIVEL	1	1	1						
10-1	2	172B02-73910	SEAL KIT, SWIVEL	1	1	1						N
		(A=M46061) (B=M46061) (C=M46061)										
11	3	172B02-73870	SEAL, SWIVEL	7	7	7						
11-1	3	172B02-73890	SEAL, SWIVEL	7	7	7						N
		(A=M46061) (B=M46061) (C=M46061)										
12	3	172B02-73880	RING, BACKUP T3 55	1	1	1						
13	3	24315-000560	O-RING, 1BP56.0	1	1	1						
14	3	24315-000750	O-RING, 1BP75.0	1	1	1						
15	3	24325-000700	O-RING, 1BG70.0	1	1	1						
16	1	26013-100402	BOLT, M10X 40	4	4	4						

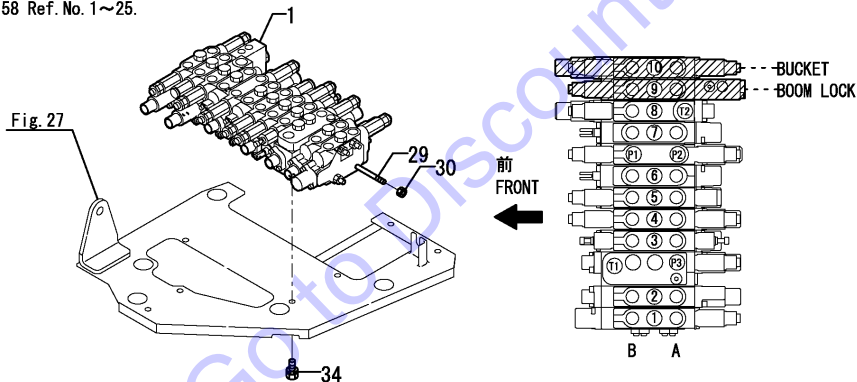
Remarks
 (1)A:NACHI LABEL

Fig.53. CONTROL VALVE(1/6)



CONTROL VALVE ASSY
172456-74101

- Fig. 53 Ref. No. 1
- INC. Fig. 53 Ref. No. 2~33.
- Fig. 54 Ref. No. 1~28.
- Fig. 55 Ref. No. 1~25.
- Fig. 56 Ref. No. 1~30.
- Fig. 57 Ref. No. 1~34.
- Fig. 58 Ref. No. 1~25.



(A)=VIO20-3(US)
(B)=VIO20-3(AS)
(C)=VIO20-3(NZ)

(D)=
(E)=
(F)=

No.	Lev.	Parts No.	Description	Q'ty						I	R
				(A)	(B)	(C)	(D)	(E)	(F)		
1	1	172456-74101	VALVE ASSY, CONTROL	1	1	1					
1-1	1	172456-74102	VALVE ASSY, CONTROL	1	1	1					N
		(A=M/#30865) (B=M/#30865) (C=M/#30865)									
2	2	172456-74430	SECTION, BOOM LOCK	1	1	1					
3	3	172456-74260	BOOM LOCK ASSY	1	1	1					
4	4	172458-74290	VALVE, REVERSE	1	1	1					
5	4	172458-74360	SPRING, VALVE	1	1	1					
6	4	172456-74410	O-RING, 1B S 16.0	1	1	1					
7	4	172456-74420	O-RING, AS 1B17.0	1	1	1					
8	4	172458-74640	STAY, VALVE	1	1	1					
9	4	172458-74650	STAY, VALVE	1	1	1					
10	4	24311-000060	O-RING, 1AP6.0	1	1	1					
11	4	24315-000080	O-RING, 1BP8.0	2	2	2					
12	4	24315-000110	O-RING, 1BP11.0	2	2	2					
13	4	24315-000140	O-RING, 1BP14.0	1	1	1					
14	4	24315-000180	O-RING, 1BP18.0	1	1	1					
15	3	172456-74440	VALVE, RELIEF	1	1	1					
16	2	172456-74390	SECTION, BUCKET	1	1	1					
17	3	172456-74280	VALVE ASSY, RELIEF 2	2	2	2					
18	3	172458-74610	SECTION ASSY, BUCKET	1	1	1					
19	4	172458-74150	VALVE, REVERSE	1	1	1					
20	4	172458-74160	SPRING, VALVE	1	1	1					
21	4	172458-74230	O-RING	2	2	2					
22	4	172458-74240	COVER, PILOT	1	1	1					
23	4	172458-74250	COVER, PILOT	1	1	1					
24	4	172458-74260	BOLT	4	4	4					
25	4	172458-74620	SPOOL ASSY, BUCKET	1	1	1					
26	4	172458-74630	STAY, VALVE	1	1	1					
27	4	24315-000110	O-RING, 1BP11.0	1	1	1					
28	2	172458-74720	O-RING	2	2	2					
29	2	172458-74730	BOLT	4	4	4					
30	2	26716-080002	NUT, M8	4	4	4					
31	2	24315-000090	O-RING, 1BP9.0	1	1	1					
32	2	24315-000100	O-RING, 1BP10.0	1	1	1					
33	2	24311-000180	O-RING, 1AP18.0	2	2	2					
34	1	26013-100162	BOLT, M10X 16	3	3	3					

Fig.54. CONTROL VALVE(2/6)

CONTROL VALVE ASSY

172456-74101

Fig. 53 Ref. No. 1

INC. Fig. 53 Ref. No. 2~33.

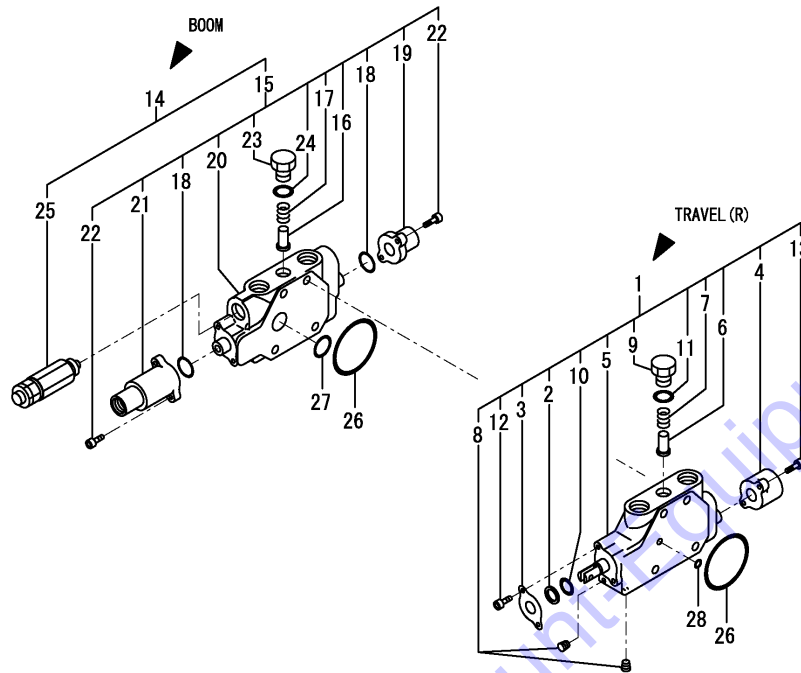
Fig. 54 Ref. No. 1~28.

Fig. 55 Ref. No. 1~25.

Fig. 56 Ref. No. 1~30.

Fig. 57 Ref. No. 1~34.

Fig. 58 Ref. No. 1~25.



No.	Lev.	Parts No.	Description	Q'ty						I	R
				(A)	(B)	(C)	(D)	(E)	(F)		
1	2	172456-74190	SECTION ASSY, TRAVEL	1	1	1					
2	3	172458-74130	WIPER, DUST	1	1	1					
3	3	172458-74140	RETAINER, SEAL	1	1	1					
4	3	172458-74170	CAP, SPRING	1	1	1					
5	3	172456-74230	SPOOL ASSY, TRAVEL	1	1	1					
6	3	172458-74290	VALVE, REVERSE	1	1	1					
7	3	172458-74360	SPRING, VALVE	1	1	1					
8	3	172458-74460	PLUG	2	2	2					
9	3	172458-74640	STAY, VALVE	1	1	1					
10	3	24311-000120	O-RING, 1AP12.0	1	1	1					
11	3	24315-000110	O-RING, 1BP11.0	1	1	1					
12	3	26450-050102	BOLT, M5X 10	2	2	2					
13	3	26450-050182	BOLT, M5X 18	2	2	2					
14	2	172456-74370	SECTION, BOOM	1	1	1					
15	3	172456-74240	SECTION ASSY, BOOM	1	1	1					
16	4	172458-74150	VALVE, REVERSE	1	1	1					
17	4	172458-74160	SPRING, VALVE	1	1	1					
18	4	172458-74230	O-RING	2	2	2					
19	4	172458-74240	COVER, PILOT	1	1	1					
20	4	172456-74250	SPOOL ASSY, BOOM	1	1	1					
21	4	172458-74250	COVER, PILOT	1	1	1					
22	4	172458-74260	BOLT	4	4	4					
23	4	172458-74630	STAY, VALVE	1	1	1					
24	4	24315-000110	O-RING, 1BP11.0	1	1	1					
25	3	172456-74280	VALVE ASSY, RELIEF 2	1	1	1					
26	2	172458-74720	O-RING	2	2	2					
27	2	24311-000180	O-RING, 1AP18.0	1	1	1					
28	2	24311-000060	O-RING, 1AP6.0	2	2	2					

Fig.55. CONTROL VALVE(3/6)

CONTROL VALVE ASSY
172456-74101
Fig. 53 Ref. No. 1
INC. Fig. 53 Ref. No. 2~33.
Fig. 54 Ref. No. 1~28.
Fig. 55 Ref. No. 1~25.
Fig. 56 Ref. No. 1~30.
Fig. 57 Ref. No. 1~34.
Fig. 58 Ref. No. 1~25.

(A)=VIO20-3(US)
(B)=VIO20-3(AS)
(C)=VIO20-3(NZ)

(D)=
(E)=
(F)=

No.	Lev.	Parts No.	Description	Q'ty						I	R
				(A)	(B)	(C)	(D)	(E)	(F)		
1	2	172456-74170	SECTION ASSY, TRAVEL	1	1	1					
2	3	172458-74130	WIPER, DUST	1	1	1					
3	3	172458-74140	RETAINER, SEAL	1	1	1					
4	3	172458-74170	CAP, SPRING	1	1	1					
5	3	172456-74180	SPOOL ASSY, TRAVEL	1	1	1					
6	3	172458-74290	VALVE, REVERSE	1	1	1					
7	3	172458-74360	SPRING, VALVE	1	1	1					
8	3	172458-74460	PLUG	2	2	2					
9	3	172458-74640	STAY, VALVE	1	1	1					
10	3	24311-000120	O-RING, 1AP12.0	1	1	1					
11	3	24315-000110	O-RING, 1BP11.0	1	1	1					
12	3	26450-050102	BOLT, M5X 10	2	2	2					
13	3	26450-050182	BOLT, M5X 18	2	2	2					
14	2	172456-74350	VALVE, CNTRL INLLET	1	1	1					
15	3	172456-74400	VALVE, RELIEF 210/20	2	2	2					
16	3	172458-74520	SECTION ASSY	1	1	1					
17	4	172458-74230	O-RING	2	2	2					
18	4	172458-74240	COVER, PILOT	1	1	1					
19	4	172458-74260	BOLT	4	4	4					
20	4	172458-74530	SEAT, SPRING	1	1	1					
21	4	172458-74540	SPRING, RETURN	1	1	1					
22	4	172458-74550	COVER, PILOT	1	1	1					
23	2	172458-74720	O-RING	2	2	2					
24	2	24311-000060	O-RING, 1AP6.0	2	2	2					
25	2	24311-000180	O-RING, 1AP18.0	1	1	1					

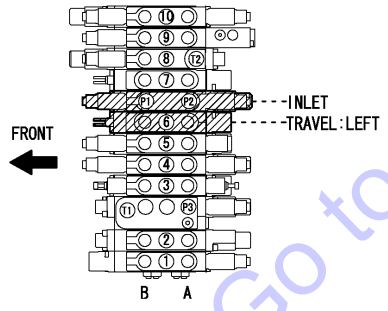
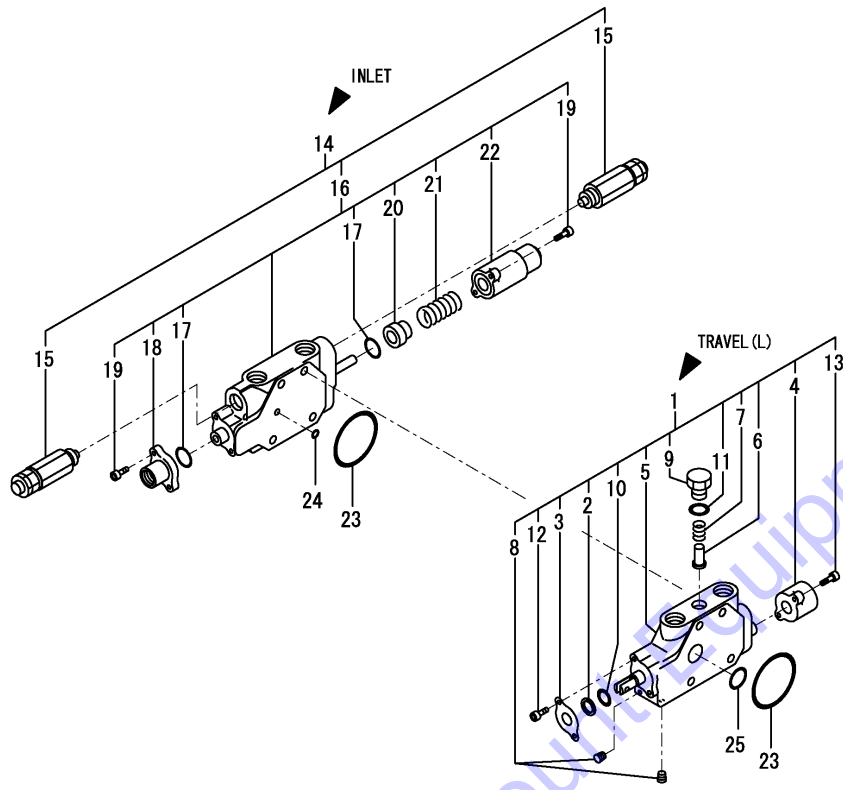
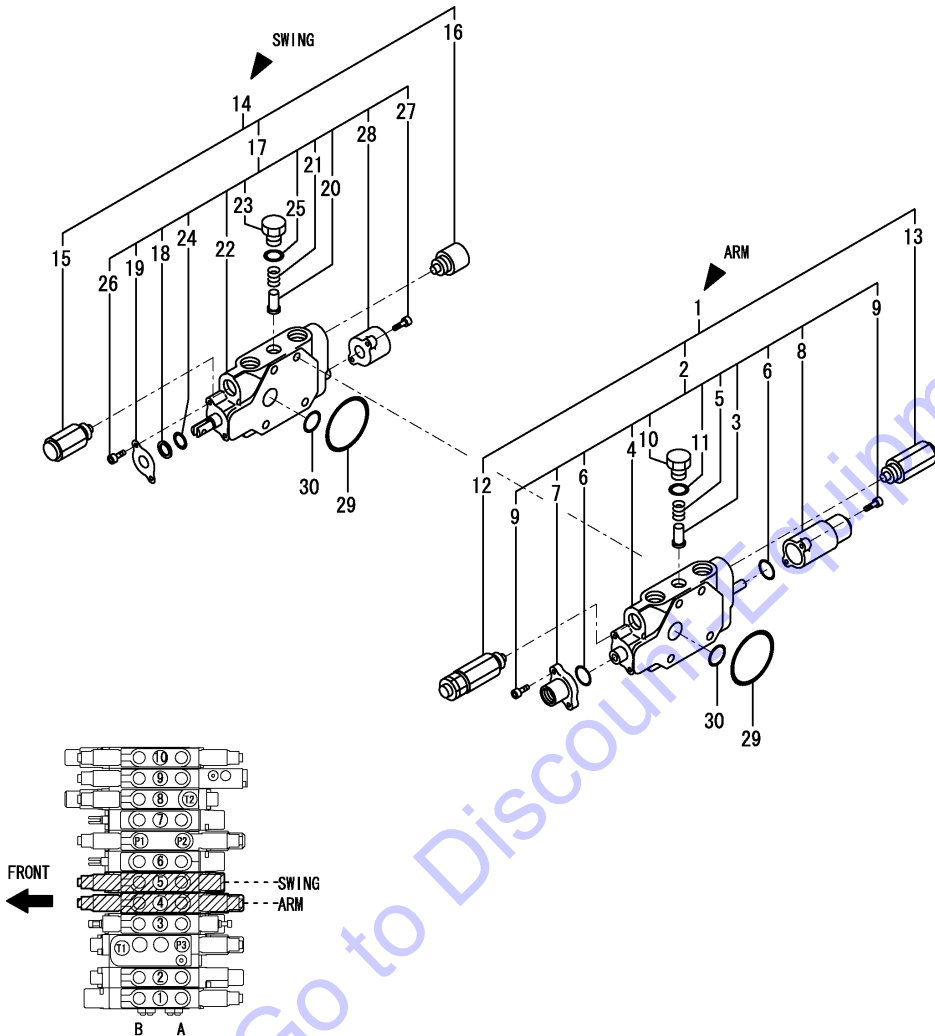


Fig.56. CONTROL VALVE(4/6)

CONTROL VALVE ASSY
172456-74101
Fig. 53 Ref. No. 1
INC. Fig. 53 Ref. No. 2~33.
Fig. 54 Ref. No. 1~28.
Fig. 55 Ref. No. 1~25.
Fig. 56 Ref. No. 1~30.
Fig. 57 Ref. No. 1~34.
Fig. 58 Ref. No. 1~25.



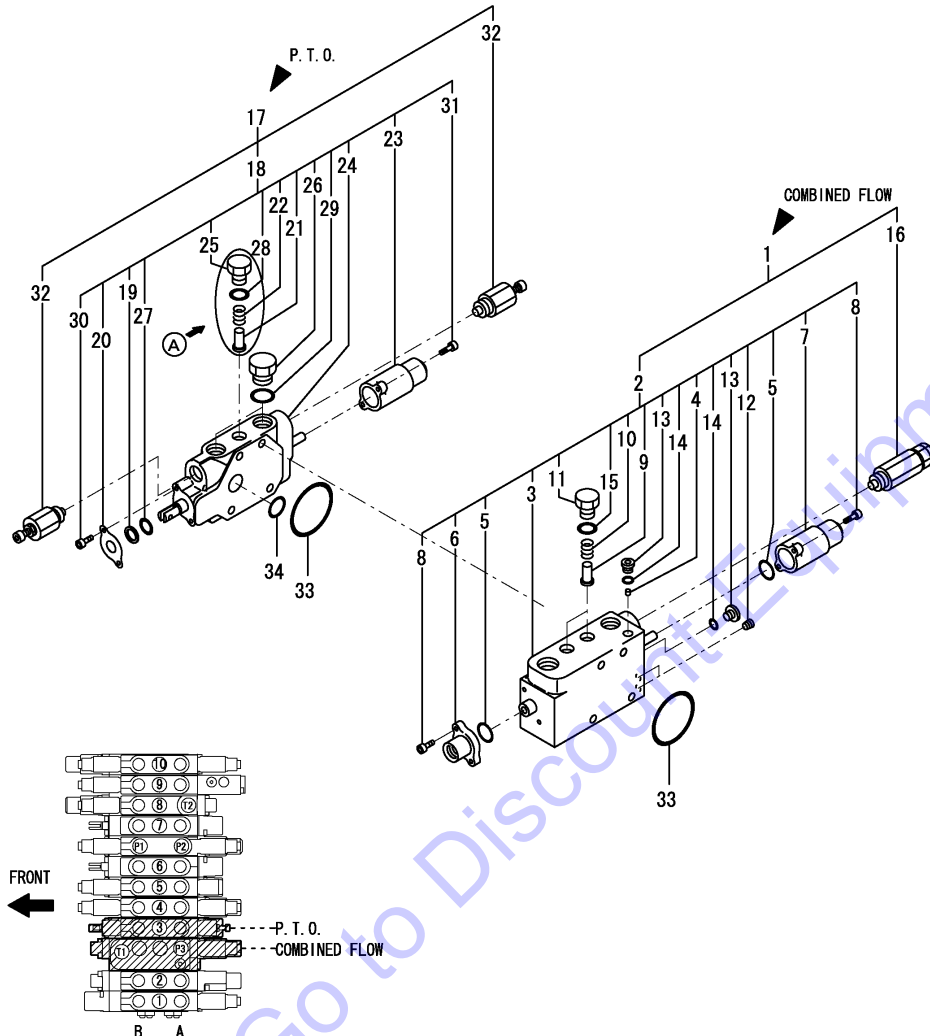
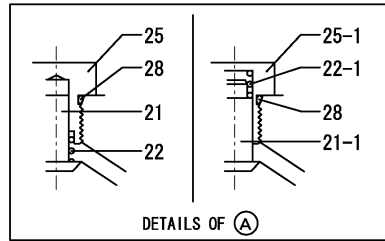
(A)=VIO20-3(US)
(B)=VIO20-3(AS)
(C)=VIO20-3(NZ)

(D)=
(E)=
(F)=

No.	Lev.	Parts No.	Description	Q'ty						I	R
				(A)	(B)	(C)	(D)	(E)	(F)		
1	2	172456-74320	SECTION, ARM	1	1	1					
2	3	172456-74150	SECTION ASSY, ARM	1	1	1					
3	4	172458-74150	VALVE, REVERSE	1	1	1					
4	4	172456-74160	SPOOL ASSY, ARM	1	1	1					
5	4	172458-74160	SPRING, VALVE	1	1	1					
6	4	172458-74230	O-RING	2	2	2					
7	4	172458-74240	COVER, PILOT	1	1	1					
8	4	172458-74250	COVER, PILOT	1	1	1					
9	4	172458-74260	BOLT	4	4	4					
10	4	172458-74630	STAY, VALVE	1	1	1					
11	4	24315-000110	O-RING, 1BP11.0	1	1	1					
12	3	172447-74221	VALVE ASSY, RELIEF	1	1	1					
13	3	172447-74230	ANTI-CAVITATION	1	1	1					
14	2	172456-74330	SECTION, SWING	1	1	1					
15	3	172447-74230	ANTI-CAVITATION	1	1	1					
16	3	172456-74290	RELIEF VALVE PLUG	1	1	1					
17	3	172458-74420	SECTION ASSY, SWING	1	1	1					
18	4	172458-74130	WIPER, DUST	1	1	1					
19	4	172458-74140	RETAINER, SEAL	1	1	1					
20	4	172458-74150	VALVE, REVERSE	1	1	1					
21	4	172458-74160	SPRING, VALVE	1	1	1					
22	4	172458-74430	SPOOL ASSY, SWING	1	1	1					
23	4	172458-74630	STAY, VALVE	1	1	1					
24	4	24311-000120	O-RING, 1AP12.0	1	1	1					
25	4	24315-000110	O-RING, 1BP11.0	1	1	1					
26	4	26450-050102	BOLT, M5X 10	2	2	2					
27	4	26450-050182	BOLT, M5X 18	2	2	2					
28	4	172458-74170	CAP, SPRING	1	1	1					
29	2	172458-74720	O-RING	2	2	2					
30	2	24311-000180	O-RING, 1AP18.0	2	2	2					

Fig.57. CONTROL VALVE(5/6)

CONTROL VALVE ASSY
172456-74101
Fig. 53 Ref. No. 1
INC. Fig. 53 Ref. No. 2~33.
Fig. 54 Ref. No. 1~28.
Fig. 55 Ref. No. 1~25.
Fig. 56 Ref. No. 1~30.
Fig. 57 Ref. No. 1~34.
Fig. 58 Ref. No. 1~25.



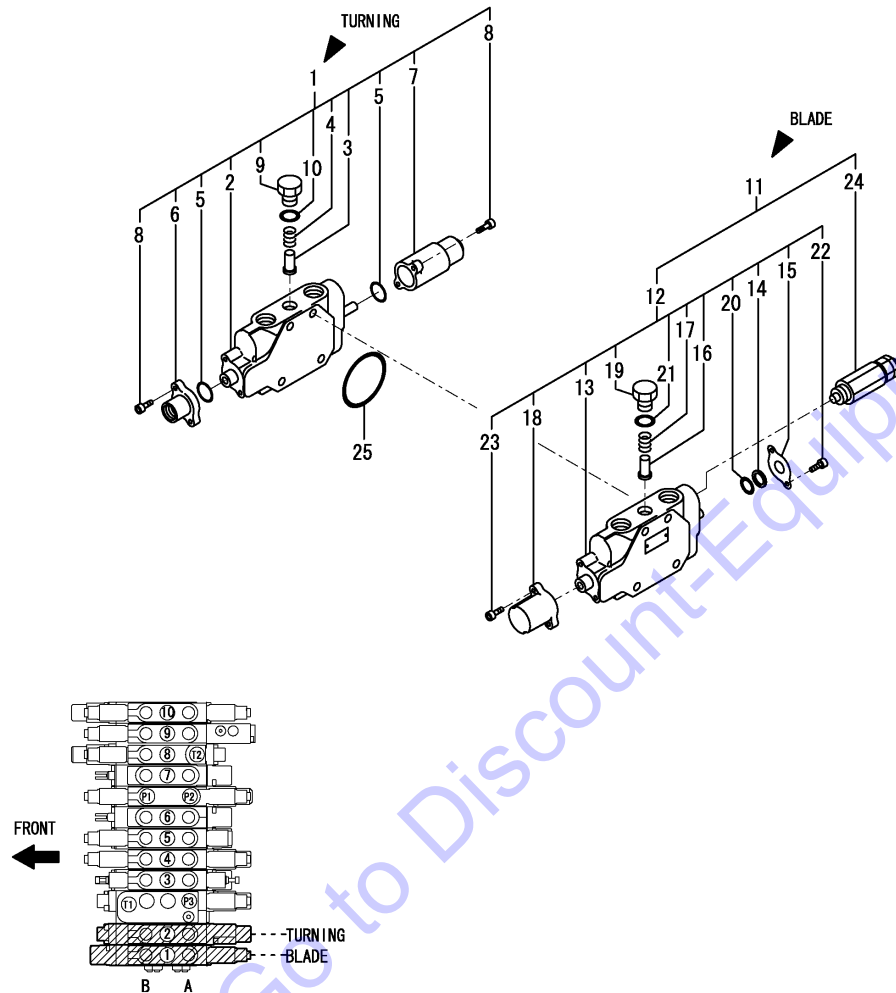
(A)=VIO20-3(US)
(B)=VIO20-3(AS)
(C)=VIO20-3(NZ)

(D)=
(E)=
(F)=

No.	Lev.	Parts No.	Description	Q'ty						I	R
				(A)	(B)	(C)	(D)	(E)	(F)		
1	2	172456-74310	SECTION, CONFLUENE	1	1	1					
2	3	172456-74130	SECTION ASSY	1	1	1					
3	4	172456-74140	SPOOL ASSY	1	1	1					
4	4	172457-74190	LIMITTER, M6 0.9	1	1	1					
5	4	172458-74230	O-RING	2	2	2					
6	4	172458-74240	COVER, PILOT	1	1	1					
7	4	172458-74250	COVER, PILOT	1	1	1					
8	4	172458-74260	BOLT	4	4	4					
9	4	172458-74290	VALVE, REVERSE	2	2	2					
10	4	172458-74360	SPRING, VALVE	2	2	2					
11	4	172458-74640	STAY, VALVE	2	2	2					
12	4	172458-74660	PLUG, SCREW	2	2	2					
13	4	172458-74670	PLUG	2	2	2					
14	4	24315-000080	O-RING, 1BP8.0	2	2	2					
15	4	24315-000110	O-RING, 1BP11.0	2	2	2					
16	3	172456-74270	VALVE, RELIEF	1	1	1					
17	2	172458-74780	SECTION, PTO	1	1	1					
17-1	2	172456-74460	SECTION, PTO	1	1	1					N
(A=M/#30865) (B=M/#30865) (C=M/#30865)											
18	3	172458-74380	SECTION ASSY, PTO	1	1	1					
18-1	3	172456-74450	SECTION ASSY, PTO	1	1	1					N
(A=M/#30865) (B=M/#30865) (C=M/#30865)											
19	4	172458-74130	WIPER, DUST	1	1	1					
20	4	172458-74140	RETAINER, SEAL	1	1	1					
21	4	172458-74150	VALVE, REVERSE	1	1	1					
21-1	4	172490-74310	VALVE, REVERSE	1	1	1					S
(A=M/#30865) (B=M/#30865) (C=M/#30865)											
22	4	172458-74160	SPRING, VALVE	1	1	1					
22-1	4	172490-74320	SPRING, VALVE	1	1	1					S
(A=M/#30865) (B=M/#30865) (C=M/#30865)											
23	4	172458-74170	CAP, SPRING	1	1	1					
24	4	172458-74390	SPOOL ASSY, PTO	1	1	1					
25	4	172458-74630	STAY, VALVE	1	1	1					
25-1	4	172490-74330	STAY, VALVE	1	1	1					S
(A=M/#30865) (B=M/#30865) (C=M/#30865)											
26	4	172458-74650	STAY, VALVE	2	2	2					
27	4	24311-000120	O-RING, 1AP12.0	1	1	1					
28	4	24315-000110	O-RING, 1BP11.0	1	1	1					
28-1	3	41851-000110	O-RING	1	1	1					N
(A=M35460) (B=M35460) (C=M35460)											
29	4	24315-000140	O-RING, 1BP14.0	2	2	2					
29-1	4	41851-000140	O-RING	2	2	2					N
(A=M35460) (B=M35460) (C=M35460)											
30	4	26450-050102	BOLT, M5X 10	2	2	2					
31	4	26450-050182	BOLT, M5X 18	2	2	2					
32	3	172458-74740	VALVE, SHUT-OFF	2	2	2					
33	2	172458-74720	O-RING	2	2	2					
34	2	24311-000180	O-RING, 1AP18.0	1	1	1					

Fig.58. CONTROL VALVE(6/6)

CONTROL VALVE ASSY
 172456-74101
 Fig. 53 Ref. No. 1
 INC. Fig. 53 Ref. No. 2~33.
 Fig. 54 Ref. No. 1~28.
 Fig. 55 Ref. No. 1~25.
 Fig. 56 Ref. No. 1~30.
 Fig. 57 Ref. No. 1~34.
 Fig. 58 Ref. No. 1~25.

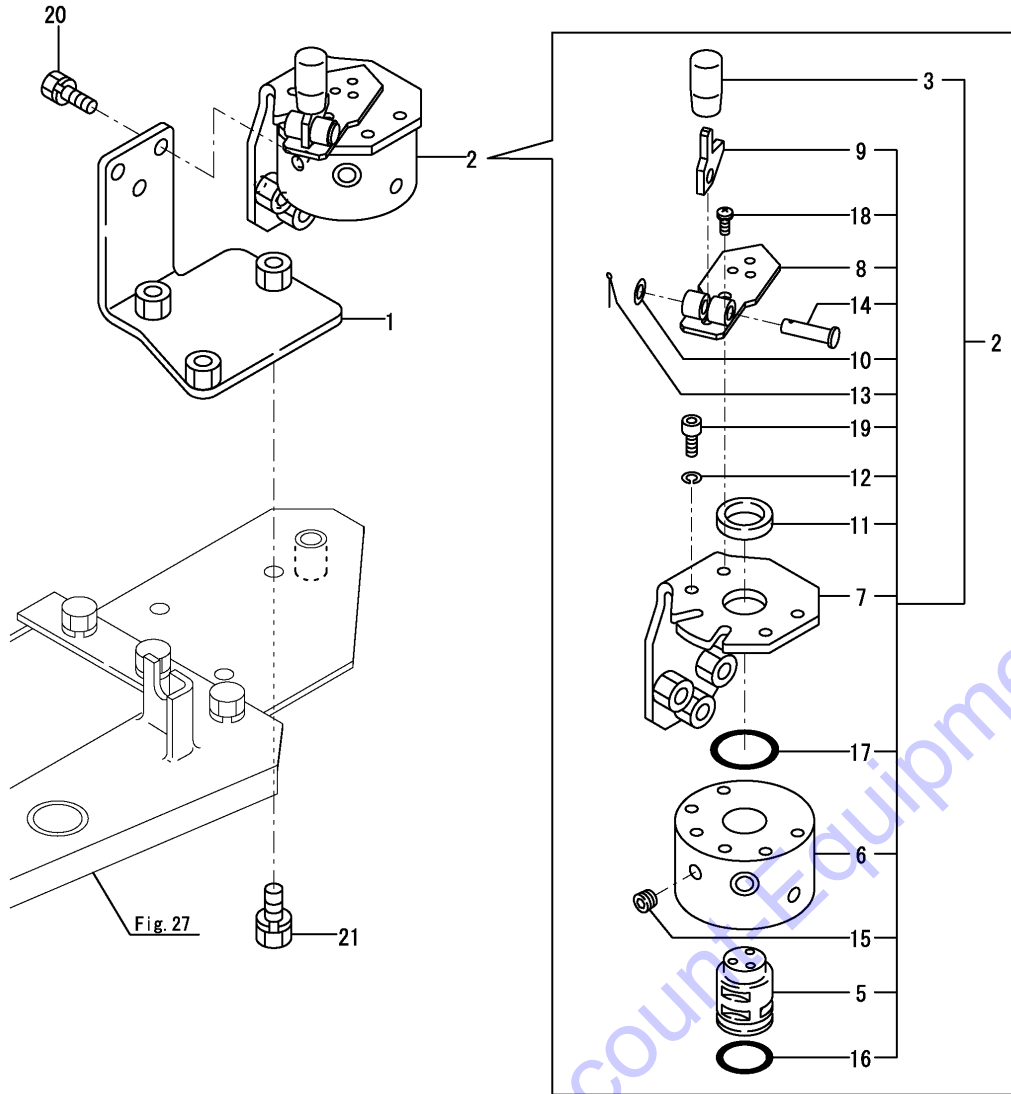


(A)=VIO20-3(US)
 (B)=VIO20-3(AS)
 (C)=VIO20-3(NZ)

(D)=
 (E)=
 (F)=

No.	Lev.	Parts No.	Description	Q'ty						I	R
				(A)	(B)	(C)	(D)	(E)	(F)		
1	2	172456-74110	SECTION ASSY	1	1	1					
2	3	172456-74120	SPOOL ASSY, SWING	1	1	1					
3	3	172458-74150	VALVE, REVERSE	1	1	1					
4	3	172458-74160	SPRING, VALVE	1	1	1					
5	3	172458-74230	O-RING	2	2	2					
6	3	172458-74240	COVER, PILOT	1	1	1					
7	3	172458-74250	COVER, PILOT	1	1	1					
8	3	172458-74260	BOLT	4	4	4					
9	3	172458-74630	STAY, VALVE	1	1	1					
10	3	24315-000110	O-RING, 1BP11.0	1	1	1					
11	2	172458-74750	SECTION, BLADE	1	1	1					
12	3	172458-74110	SECTION ASSY, BLADE	1	1	1					
13	4	172458-74120	SPOOL ASSY, BLADE	1	1	1					
14	4	172458-74130	WIPER, DUST	1	1	1					
15	4	172458-74140	RETAINER, SEAL	1	1	1					
16	4	172458-74150	VALVE, REVERSE	1	1	1					
17	4	172458-74160	SPRING, VALVE	1	1	1					
18	4	172458-74170	CAP, SPRING	1	1	1					
19	4	172458-74630	STAY, VALVE	1	1	1					
20	4	24311-000120	O-RING, 1AP12.0	1	1	1					
21	4	24315-000110	O-RING, 1BP11.0	1	1	1					
22	4	26450-050102	BOLT, M5X 10	2	2	2					
23	4	26450-050182	BOLT, M5X 18	2	2	2					
24	3	172458-74700	VALVE, RELIEF	1	1	1					
25	2	172458-74720	O-RING	1	1	1					

Fig.59. 2-WAY VALVE



(A)=VIO20-3(US)
 (B)=VIO20-3(AS)
 (C)=VIO20-3(NZ)

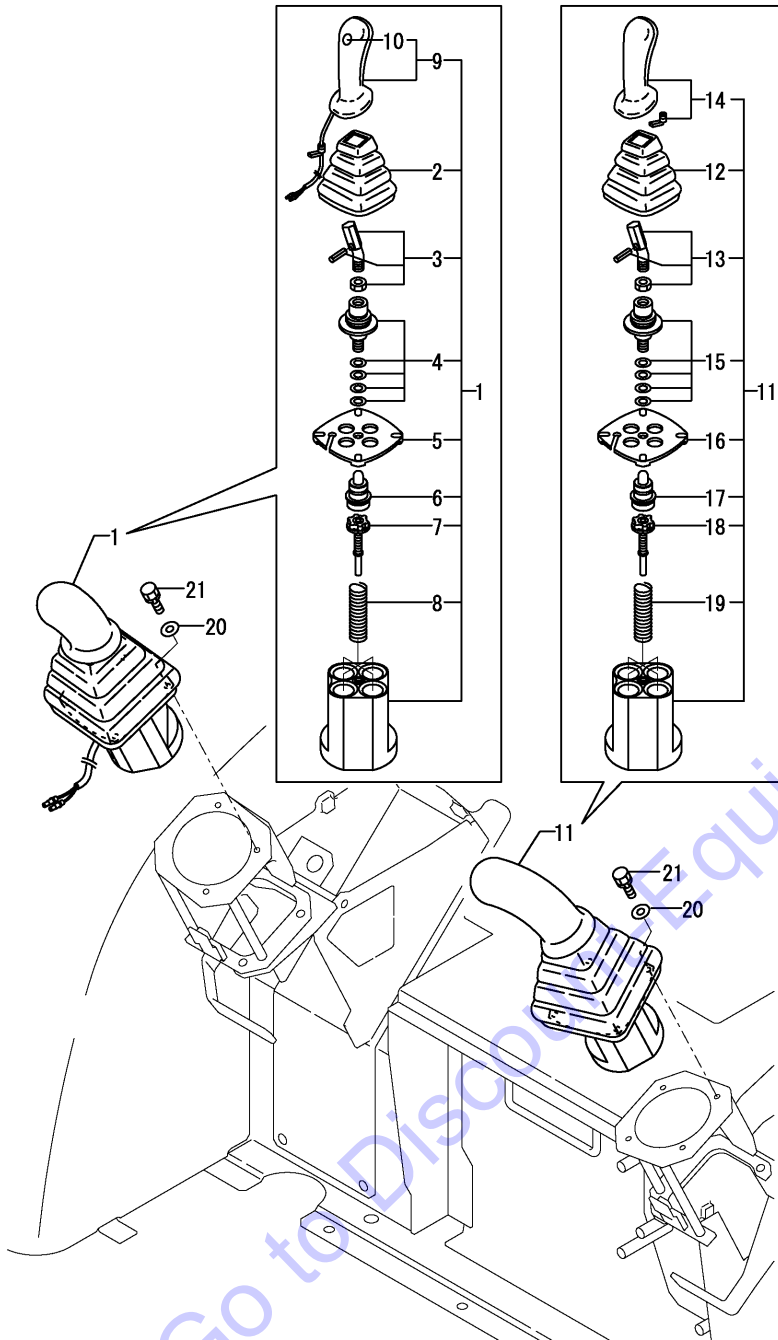
(D)=
 (E)=
 (F)=

No.	Lev.	Parts No.	Description	Q'ty						I	R
				(A)	(B)	(C)	(D)	(E)	(F)		
1	1	172472-74200	BRACKET,2-WAY	1	1	1					
2	1	172A36-74690	VALVE ASSY, 2-WAY	1	1	1					W 1
		(A=M/#32860) (B=M/#32860) (C=M/#32860)									
3	2	172157-58830	KNOB, 6.5X18X35	1	1	1					
5	3	172437-74711	SHAFT	1	1	1					
6	3	172437-74720	BLOCK,VALVE	1	1	1					
7	3	172437-74732	STAY ASSY	1	1	1					
8	3	172A36-74750	LEVER	1	1	1					
9	3	172A36-74780	PLATE,LOCK	1	1	1					
10	3	22117-080000	WASHER, 8	1	1	1					
11	3	22137-240000	WASHER, 24	1	1	1					
12	3	22217-060000	WASHER, SPRING 6	4	4	4					
13	3	22417-200160	PIN, COTTER 2.0X16	1	1	1					
14	3	22487-080300	PIN, H 8X 30	1	1	1					
15	3	23871-010000	PLUG, R01	4	4	4					
16	3	24311-000250	O-RING, 1AP25.0	1	1	1					
17	3	24311-000320	O-RING, 1AP32.0	1	1	1					
18	3	26022-050122	SCREW, M5X12	3	3	3					
19	3	26450-060162	BOLT, M6X 16	4	4	4					
19A	1	172437-03610	LABEL	1	1	1					2
19B	1	172437-03620	LABEL	1	1	1					2
20	1	26013-080252	BOLT, M8X 25	3	3	3					
21	1	26013-100202	BOLT, M10X 20	3	3	3					

Remarks

- (1) Attach the No.19A & 19B label to this part.
- (2) Label is not illustrated.

Fig.60. REMOTE CONTROL VALVE

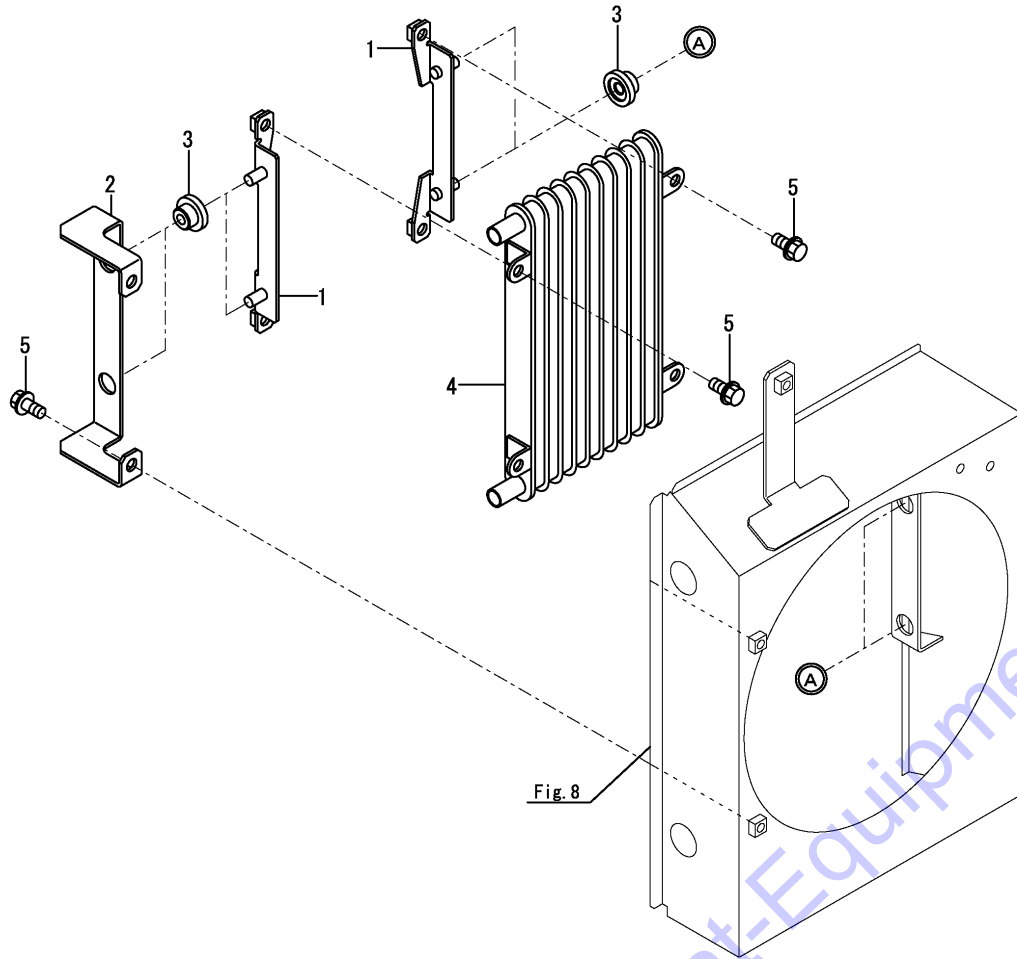


(A)=VIO20-3(US)
 (B)=VIO20-3(AS)
 (C)=VIO20-3(NZ)

(D)=
 (E)=
 (F)=

No.	Lev.	Parts No.	Description	Q'ty						I	R
				(A)	(B)	(C)	(D)	(E)	(F)		
1	1	172463-74511	VALVE ASSY	1	1	1					
2	2	172441-74030	BOOT	1	1	1					
3	2	172441-74040	LEVER KIT	1	1	1					
4	2	172463-74530	CARDAN KIT	1	1	1					
5	2	172463-74540	PLATE, RETAINING	1	1	1					
6	2	172463-74551	PLUNGER KIT	1	1	1					
7	2	172463-74561	REGULATION KIT	4	4	4					
8	2	172463-74570	SPRING KIT	1	1	1					
9	2	172463-74590	HANDLE	1	1	1					
10	3	172463-74580	BUTTON COVER KIT	1	1	1					
11	1	172463-74521	VALVE ASSY	1	1	1					
12	2	172441-74030	BOOT	1	1	1					
13	2	172441-74040	LEVER KIT	1	1	1					
14	2	172441-74050	HANDLE	1	1	1					
15	2	172463-74530	CARDAN KIT	1	1	1					
16	2	172463-74540	PLATE, RETAINING	1	1	1					
17	2	172463-74551	PLUNGER KIT	1	1	1					
18	2	172463-74561	REGULATION KIT	4	4	4					
19	2	172463-74570	SPRING KIT	1	1	1					
20	1	22137-060000	WASHER, 6	8	8	8					
20-1	1	22137-060000	WASHER, 6	6	6	6					K
		(A=M/#30501) (B=M/#30501) (C=M/#30501)									
21	1	26013-060202	BOLT, M6X 20	8	8	8					
21-1	1	26013-060202	BOLT, M6X 20	6	6	6					K
		(A=M/#30501) (B=M/#30501) (C=M/#30501)									

Fig.61. OIL COOLER



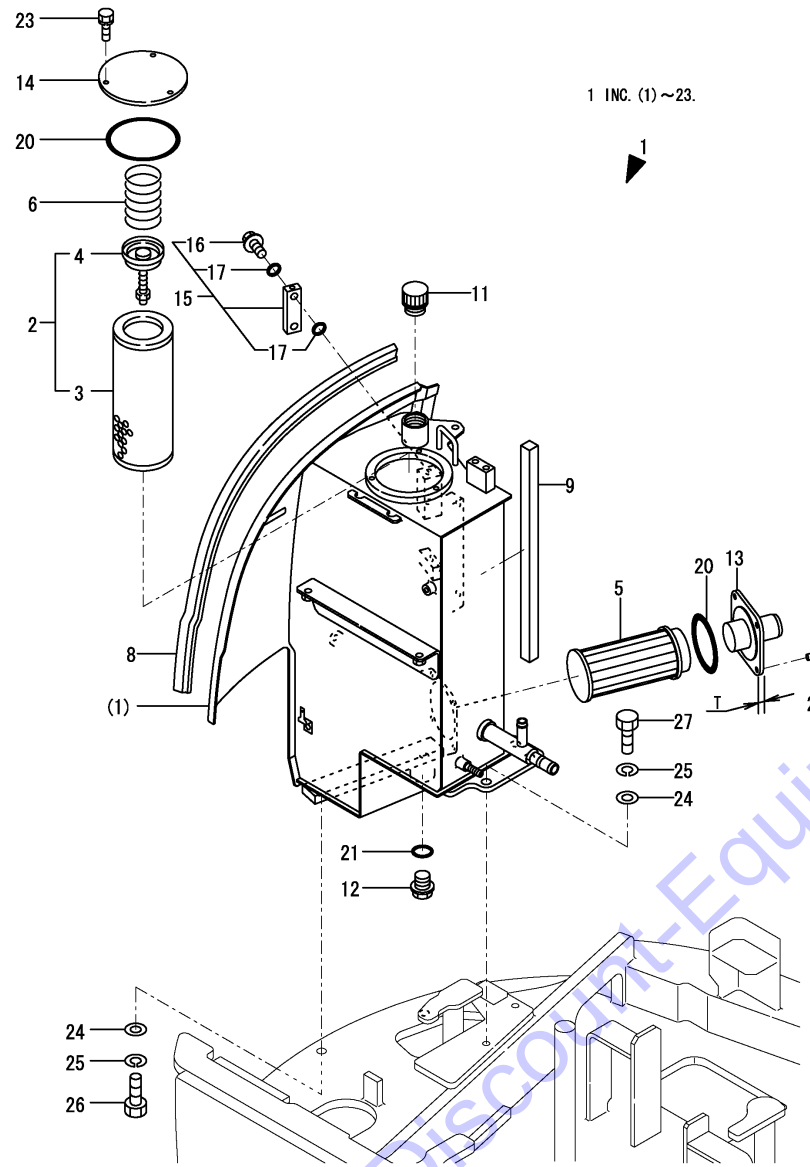
(A)=VIO20-3(US)
 (B)=VIO20-3(AS)
 (C)=VIO20-3(NZ)

(D)=
 (E)=
 (F)=

No.	Lev.	Parts No.	Description	Q'ty						I	R
				(A)	(B)	(C)	(D)	(E)	(F)		
1	1	172490-13160	BRACKET ASSY	2	2	2					
2	1	172A23-13210	BRACKET,O/C	1	1	1					
3	1	172446-13330	ABSORBER, SHOCK	4	4	4					
4	1	198448-48810	COOLER ASSY, OIL	1	1	1					
5	1	26106-100202	BOLT, M10X 20 PLATED	6	6	6					
5-1	1	26106-100162	BOLT, M10X 16 PLATED	6	6	6					N
(A=M45876) (B=M45876) (C=M45876)											

Go to Discount-Equipment.com to order your parts

Fig.62. HYD.OIL.TANK



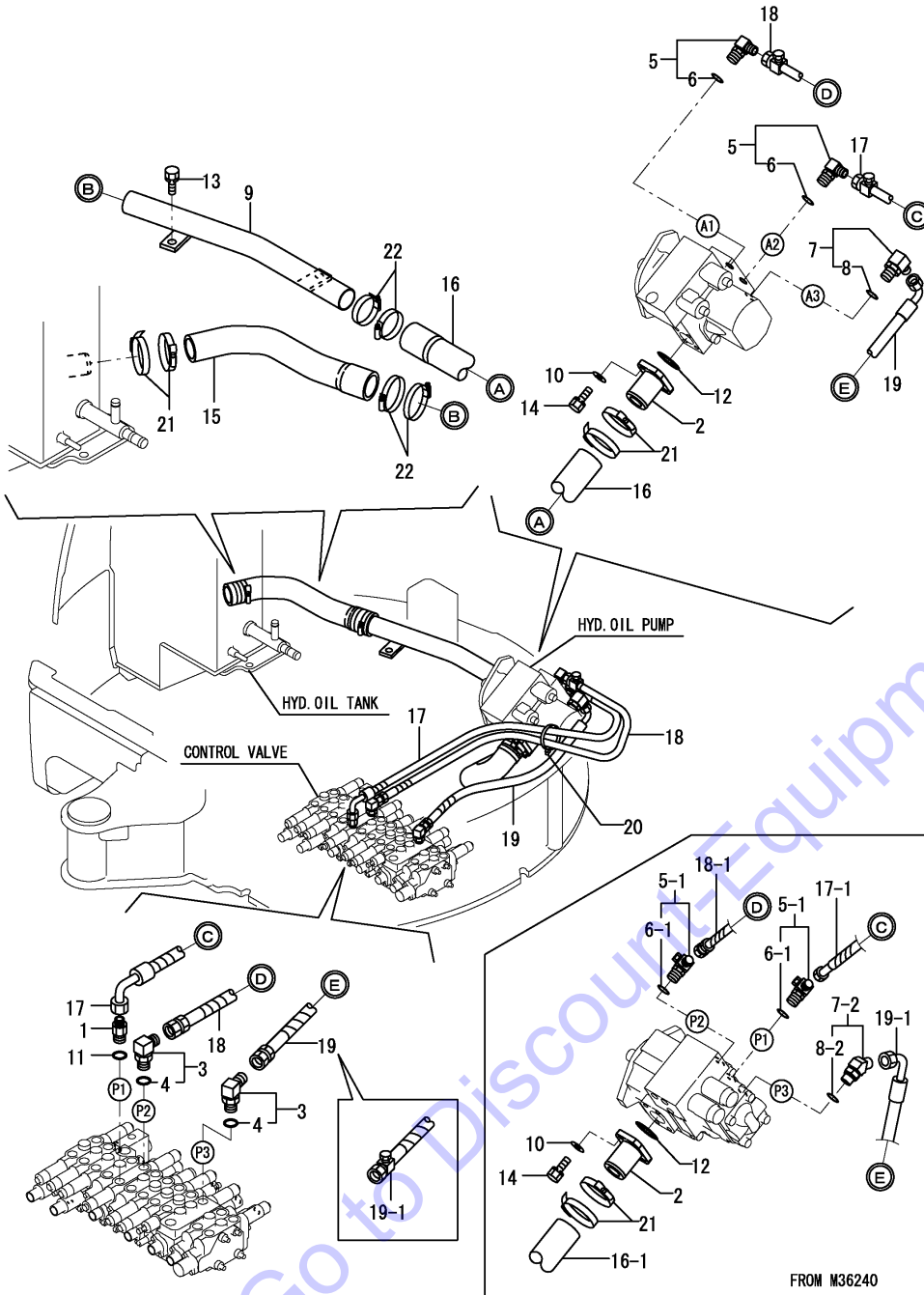
(A)=VIO20-3(US)
(B)=VIO20-3(AS)
(C)=VIO20-3(NZ)

(D)=
(E)=
(F)=

No.	Lev.	Parts No.	Description	Q'ty						I	R
				(A)	(B)	(C)	(D)	(E)	(F)		
1	1	772A23-75100-1	TANK ASSY, RESERVOIR	1	1	1					1
1-1	1	772A23-75100-3	TANK ASSY, RESERVOIR	1	1	1					S 1
		(A=M34345) (B=M34345) (C=M34345)									
1-2	1	772A23-75100-Y	TANK ASSY, RESERVOIR	1	1	1					S 1
		(A=M45501) (B=M45501) (C=M45501)									
2	2	172175-73700	FILTER ASSY, RETURN	1	1	1					
3	3	172175-73710	ELEMENT, FILTER	1	1	1					
4	3	172141-73770	VALVE ASSY, BY-PASS	1	1	1					
5	2	172146-73730	FILTER, SUCTION	1	1	1					
6	2	933152-02710	SPRING, CLUTCH	1	1	1					
8	3	172168-65750	RUBBER, SEAL	1	1	1					
9	3	172458-75070	SEAL	1	1	1					
11	2	172446-75250	CAP, RESERVER	1	1	1					
12	2	172455-75330	PLUG, DRAIN	1	1	1					
13	2	172183-75410	FLANGE, SUCTION	1	1	1					
13-1	2	172A46-75500	FLANGE, SUCTION	1	1	1					F 4
		(A=M35946) (B=M35946) (C=M35946)									
14	2	172460-75410-1	COVER, TANK	1	1	1					2
14-1	2	172460-75410-5	COVER, TANK	1	1	1					S 2
		(A=M34345) (B=M34345) (C=M34345)									
14-2	2	172460-75410-Y	COVER, TANK	1	1	1					S 2
		(A=M45501) (B=M45501) (C=M45501)									
15	2	172447-75600	GAUGE ASSY	1	1	1					
16	3	172455-75290	BOLT	2	2	2					
17	3	172455-75300	O-RING	4	4	4					
20	2	24321-001050	O-RING, 1AG105.0	2	2	2					
21	2	24341-000300	O-RING, 1AS30.0	1	1	1					
22	2	26013-080162	BOLT, M8X 16	4	4	4					
22-1	2	26014-080252	BOLT, M8X 25	4	4	4					S
		(A=M35946) (B=M35946) (C=M35946)									
23	2	26013-080202	BOLT, M8X 20	3	3	3					
23-1	2	26014-080202	BOLT, M8X 20	3	3	3					N
		(A=M35398) (B=M35398) (C=M35398)									
24	1	22137-140000	WASHER, 14	4	4	4					
25	1	22217-140000	WASHER, SPRING 14	4	4	4					
26	1	26116-140352	BOLT, M14X 35 PLATED	2	2	2					
27	1	26116-140352	BOLT, M14X 35 PLATED	2	2	2					
27-1	1	26116-140302	BOLT, M14X 30 PLATED	2	2	2					N
		(A=M36141) (B=M36141) (C=M36141)									
28A	1	172469-03121	LABEL, MODEL	1	1	1					3
28A-1	1	172A23-03120	LABEL,MODEL	1	1	1					N 3
		(A=M45501) (B=M45501) (C=M45501)									
28A-2	1	172A23-03470	LABEL,MODEL VIO20	1	1	1					S 3
		(A=MEF001) (B=MEF001) (C=MEF001)									
28B	1	172437-03321	LABEL,HYD.OIL TANK	1	1	1					3
28B-1	1	172437-03322	LABEL, RESEVOIR	1	1	1					N 3
		(A=M/#31399) (B=M/#31399) (C=M/#31399)									
28C	1	114110-07760	LABEL, FUEL CAUTION	1	1	1					
28C-1	1	114110-07761	LABEL, FUEL OIL CAUT	1	1	1					N
		(A=M45043) (B=M45043) (C=M45043)									
29A	1	172463-03290	LABEL, HYD.OIL	1	1	1					3

Remarks
 (1)Attach the No.28A, 28B & 28C label to this part.
 (2)Attach the No.29A label to this part.
 (3)Label is not illustrated.
 (4)T=No.13 : 6mm, No.13-1 : 12mm
 Interchangeable by simultaneous replacement with No.22-1.

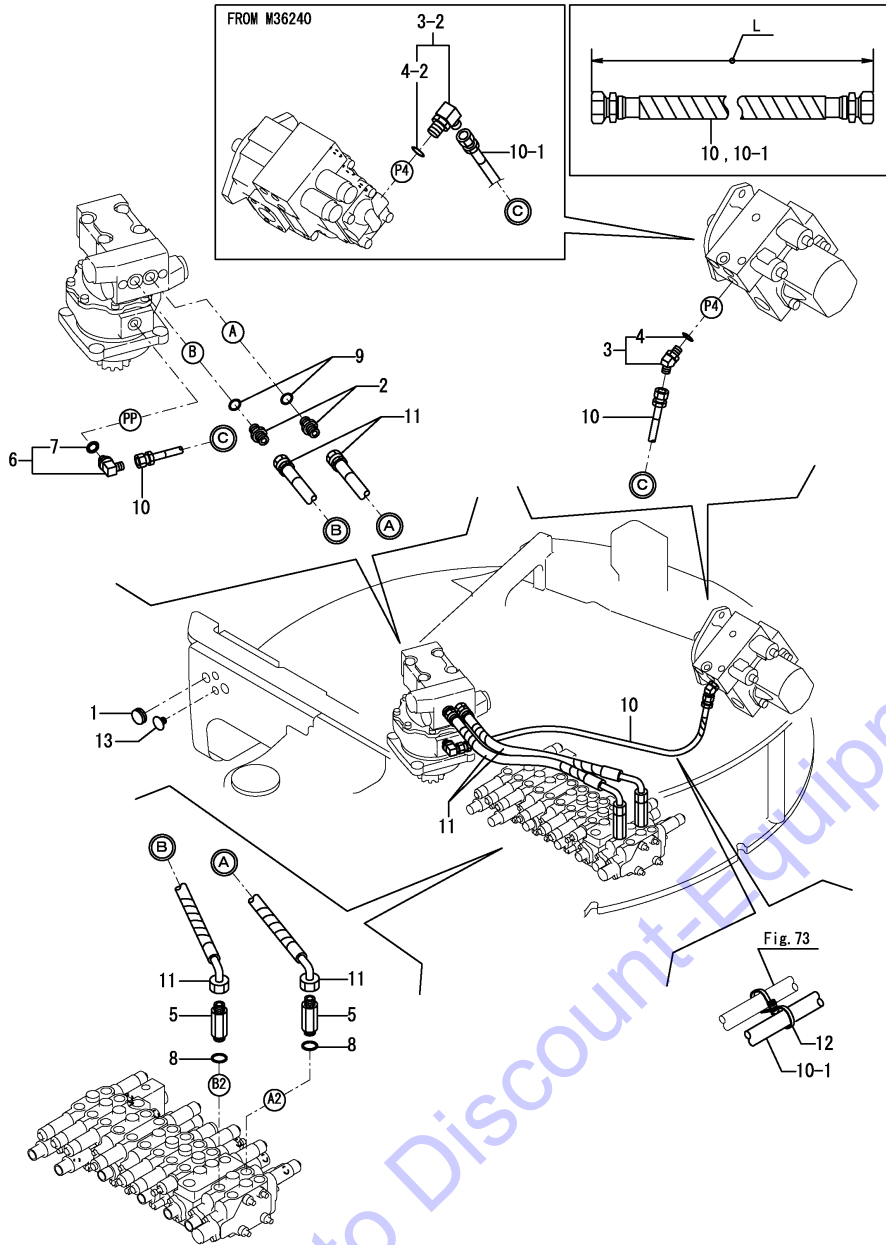
Fig.63. TANK - PUMP & CONTROL VALVE



No.	Lev.	Parts No.	Description	Q'ty						I	R
				(A)	(B)	(C)	(D)	(E)	(F)		
1	1	172730-75141	ADAPTER	1	1	1					
2	1	172422-76100	FLANGE	1	1	1					
3	1	172142-76181	JOINT ASSY	2	2	2					
4	2	24315-000140	O-RING, 1BP14.0	2	2	2					
5	1	172142-76181	JOINT ASSY	2	2	2					
5-1	1	172A23-76301	ELBOW ASSY	2	2	2					S
		(A=M36240) (B=M36240) (C=M36240)									
6	2	24315-000140	O-RING, 1BP14.0	2	2	2					
6-1	2	41851-000180	O-RING	2	2	2					S
		(A=M36240) (B=M36240) (C=M36240)									
7	1	172A23-76300	ELBOW ASSY	1	1	1					
7-1	1	172A23-76301	ELBOW ASSY	1	1	1					N
		(A=M35241) (B=M35241) (C=M35241)									
7-2	1	172644-76161	ELBOW, ADJUST	1	1	1					S
		(A=M36240) (B=M36240) (C=M36240)									
8	2	24315-000180	O-RING, 1BP18.0	1	1	1					
8-1	2	41851-000180	O-RING	1	1	1					N
		(A=M35241) (B=M35241) (C=M35241)									
8-2	2	24315-000140	O-RING, 1BP14.0	1	1	1					S
		(A=M36240) (B=M36240) (C=M36240)									
9	1	172487-76410	TUBE ASSY, SUCTION	1	1	1					
10	1	22117-100000	WASHER, 10	4	4	4					
11	1	24315-000140	O-RING, 1BP14.0	1	1	1					
11-1	1	41851-000140	O-RING	1	1	1					N
		(A=M35460) (B=M35460) (C=M35460)									
12	1	24321-000400	O-RING, 1AG40.0	1	1	1					
13	1	26013-100202	BOLT, M10X 20	2	2	2					
13-1	1	26014-100252	BOLT, M10X 25	2	2	2					N
		(A=MZZZZZ) (B=MZZZZZ) (C=MZZZZZ)									
14	1	26013-100252	BOLT, M10X 25	4	4	4					
15	1	172A23-78080	HOSE	1	1	1					
16	1	172458-78091	HOSE, 39.5 52.5	1	1	1					
16-1	1	172A23-78090	HOSE 42.5 55.2	1	1	1					S
		(A=M36240) (B=M36240) (C=M36240)									
17	1	172A23-78110	HOSE	1	1	1					
17-1	1	172A23-78111	HOSE H206BC072S	1	1	1					S
		(A=M36240) (B=M36240) (C=M36240)									
17-2	1	172A23-78112	HOSE H206BC077S	1	1	1					N
		(A=M45001) (B=M45001) (C=M45001)									
18	1	172456-78120	HOSE	1	1	1					
18-1	1	172A23-78120	HOSE H206BB071S	1	1	1					S
		(A=M36240) (B=M36240) (C=M36240)									
18-2	1	172A23-78121	HOSE H206BB074S	1	1	1					N
		(A=M45001) (B=M45001) (C=M45001)									
19	1	172A23-78130	HOSE	1	1	1					
19-1	1	172A23-78131	HOSE H206CZ066S	1	1	1					S
		(A=M36240) (B=M36240) (C=M36240)									
20	1	172122-79930	CLAMP, HOSE	1	1	1					
21	1	23001-060000	CLAMP, HOSE 60	4	4	4					
22	1	23001-070000	CLAMP, HOSE 70	4	4	4					
22-1	1	23001-060000	CLAMP, HOSE 60	4	4	4					N

N:Old $\begin{matrix} \text{Yes} \\ \text{No} \end{matrix}$ New, Q:Old $\begin{matrix} \text{No} \\ \text{Yes} \end{matrix}$ New, R:Old $\begin{matrix} \text{Yes} \\ \text{No} \end{matrix}$ New, S:Old $\begin{matrix} \text{No} \\ \text{Yes} \end{matrix}$ New, W:Add, Z:Discontinued, F:Interchangeable by set, K:Q'ty Change
 ++ CONTINUE ++
 Copyright (C) YANMAR CO., LTD. All Rights Reserved.

Fig.64. PUMP & CONTROL VALVE - TURNING MOTOR



(A)=VIO20-3(US)
 (B)=VIO20-3(AS)
 (C)=VIO20-3(NZ)

(D)=
 (E)=
 (F)=

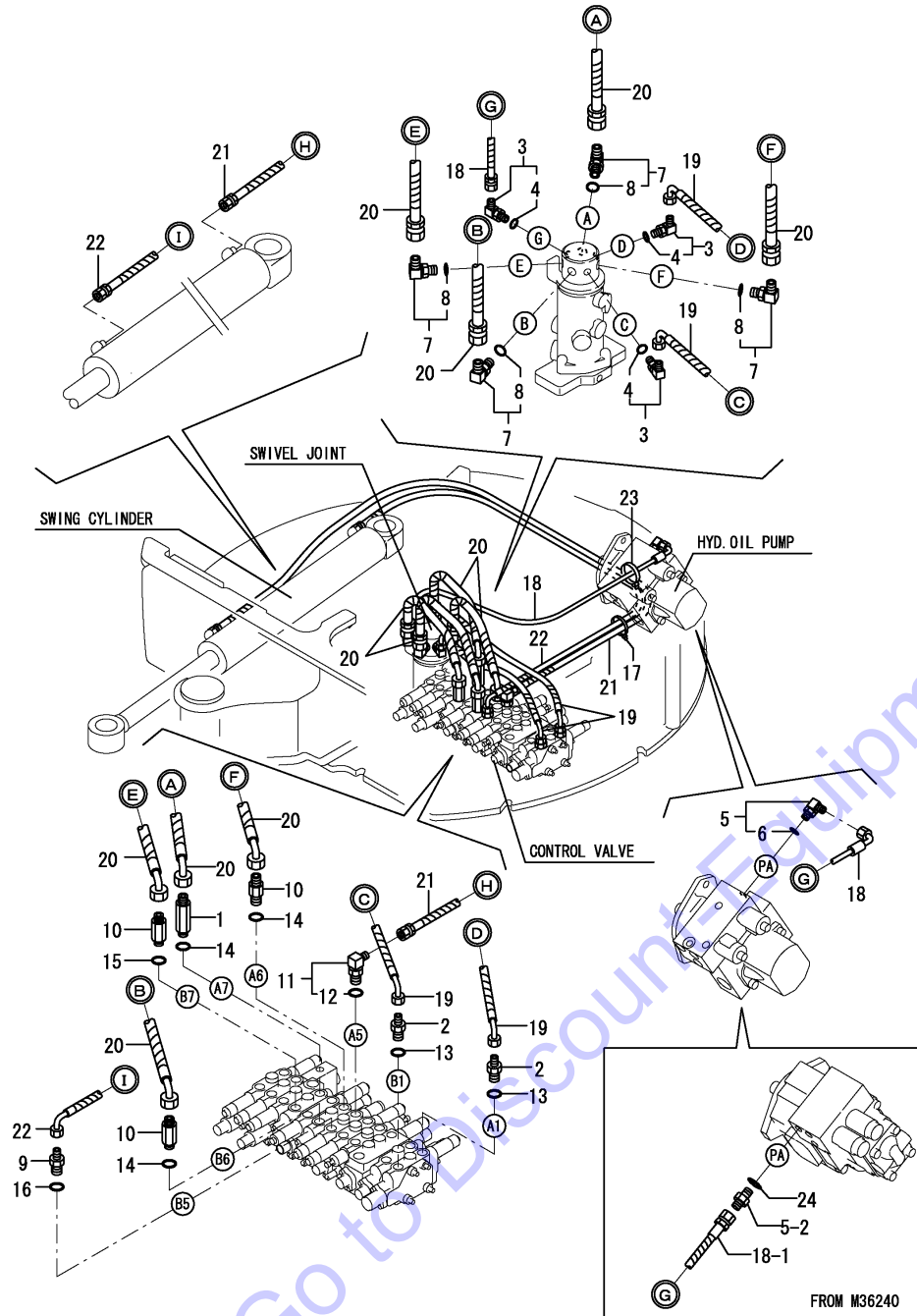
No.	Lev.	Parts No.	Description	Q'ty						I	R
				(A)	(B)	(C)	(D)	(E)	(F)		
1	1	172312-17260	GROMMET	2	2	2					
2	1	172730-75141	ADAPTER	2	2	2					
3	1	172173-76101	CONNECTOR ASSY	1	1	1					
3-1	1	172173-76102	CONNECTOR ASSY	1	1	1					N
		(A=M35241) (B=M35241) (C=M35241)									
3-2	1	172141-76920	CONNECTOR ASSY	1	1	1					S
		(A=M36240) (B=M36240) (C=M36240)									
4	2	24315-000110	O-RING, 1BP11.0	1	1	1					
4-1	2	41851-000110	O-RING	1	1	1					N
		(A=M35241) (B=M35241) (C=M35241)									
4-2	2	24315-000140	O-RING, 1BP14.0	1	1	1					S
		(A=M36240) (B=M36240) (C=M36240)									
5	1	172162-76131	ADAPTER	2	2	2					
6	1	172141-76180	CONNECTOR ASSY	1	1	1					
6-1	1	172141-76181	CONNECTOR ASSY, 02FF	1	1	1					N
		(A=M35241) (B=M35241) (C=M35241)									
7	2	24315-000110	O-RING, 1BP11.0	1	1	1					
7-1	2	41851-000110	O-RING	1	1	1					N
		(A=M35241) (B=M35241) (C=M35241)									
8	1	24315-000140	O-RING, 1BP14.0	2	2	2					
8-1	1	41851-000140	O-RING	2	2	2					N
		(A=M35460) (B=M35460) (C=M35460)									
9	1	24315-000140	O-RING, 1BP14.0	2	2	2					
9-1	1	41851-000140	O-RING	2	2	2					N
		(A=M35460) (B=M35460) (C=M35460)									
10	1	172456-78140	HOSE	1	1	1					
10-1	1	172423-78940	HOSE	1	1	1					S 1
		(A=M36240) (B=M36240) (C=M36240)									
11	1	172422-78210	HOSE	2	2	2					
12	1	172137-16560	BAND	1	1	1					W
		(A=M3A673) (B=M3A673) (C=M3A673)									
13	1	172176-68210	CLIP, TREE	2	2	2					W
		(A=*2014.12) (B=*2014.12) (C=*2014.12)									

Remarks

(1)No.10 700mm, No.10-1 1000mm

N:Old $\begin{matrix} \leftarrow \text{Yes} \\ \text{No} \end{matrix}$ New, Q:Old $\begin{matrix} \leftarrow \text{No} \\ \text{Yes} \end{matrix}$ New, R:Old $\begin{matrix} \leftarrow \text{Yes} \\ \text{No} \end{matrix}$ New, S:Old $\begin{matrix} \leftarrow \text{No} \\ \text{Yes} \end{matrix}$ New, W:Add, Z:Discontinued, F:Interchangeable by set, K:Q'ty Change

Fig.65. CONTROL VALVE - SWIVEL JOINT & SWING CYLINDER

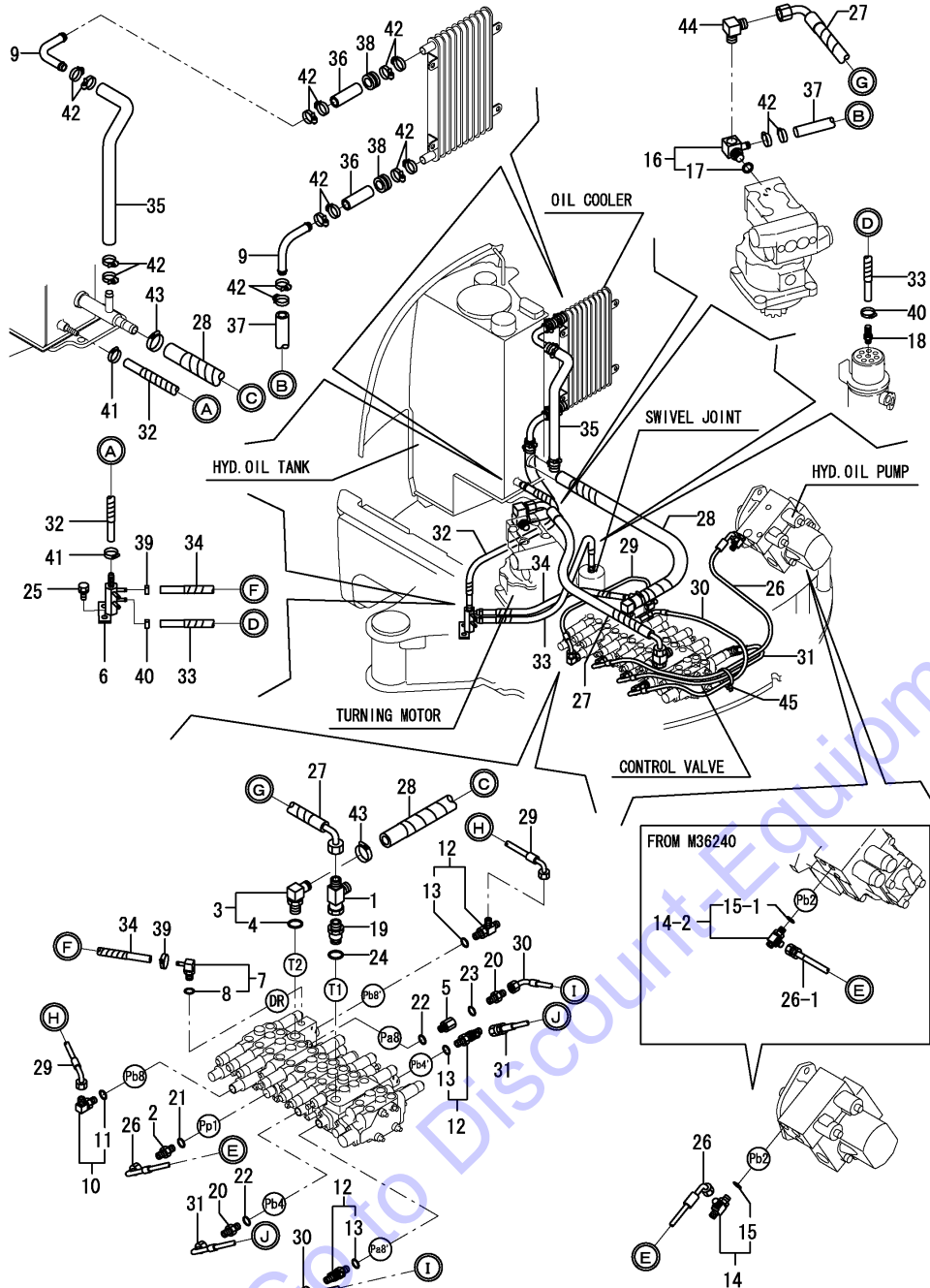


(A)=VIO20-3(US)
 (B)=VIO20-3(AS)
 (C)=VIO20-3(NZ)

(D)=
 (E)=
 (F)=

No.	Lev.	Parts No.	Description	Q'ty						I	R
				(A)	(B)	(C)	(D)	(E)	(F)		
1	1	172162-76131	ADAPTER	1	1	1					
2	1	172422-76130	CONNECTOR, PF1/4-3/8	2	2	2					
3	1	172141-76180	CONNECTOR ASSY	3	3	3					
3-1	1	172141-76181 (A=M35241) (B=M35241) (C=M35241)	CONNECTOR ASSY, 02FF	3	3	3					N
4	2	24315-000110	O-RING, 1BP11.0	3	3	3					
4-1	2	41851-000110 (A=M35241) (B=M35241) (C=M35241)	O-RING	3	3	3					N
5	1	172141-76180	CONNECTOR ASSY	1	1	1					
5-1	1	172141-76181 (A=M35241) (B=M35241) (C=M35241)	CONNECTOR ASSY, 02FF	1	1	1					N
6	2	24315-000110	O-RING, 1BP11.0	1	1	1					
6-1	2	41851-000110 (A=M35241) (B=M35241) (C=M35241)	O-RING	1	1	1					N
6-2	2	41851-000110 (A=M36240) (B=M36240) (C=M36240)	O-RING	1	1	1					Z
7	1	172142-76181	JOINT ASSY	4	4	4					
8	2	24315-000140	O-RING, 1BP14.0	4	4	4					
9	1	172147-76260	CONNECTOR, 3/8X1/4	1	1	1					
10	1	172116-76381	ADAPTER, 64	3	3	3					
11	1	172141-76920	CONNECTOR ASSY	1	1	1					
12	2	24315-000140	O-RING, 1BP14.0	1	1	1					
13	1	24315-000140	O-RING, 1BP14.0	2	2	2					
13-1	1	41851-000140 (A=M35460) (B=M35460) (C=M35460)	O-RING	2	2	2					N
14	1	24315-000140 (A=M35460) (B=M35460) (C=M35460)	O-RING, 1BP14.0	3	3	3					
14-1	1	41851-000140 (A=M35460) (B=M35460) (C=M35460)	O-RING	3	3	3					N
15	1	24315-000140 (A=M35460) (B=M35460) (C=M35460)	O-RING, 1BP14.0	1	1	1					
15-1	1	41851-000140 (A=M35460) (B=M35460) (C=M35460)	O-RING	1	1	1					N
16	1	24315-000140 (A=M35460) (B=M35460) (C=M35460)	O-RING, 1BP14.0	1	1	1					
16-1	1	41851-000140 (A=M35460) (B=M35460) (C=M35460)	O-RING	1	1	1					N
17	1	172126-11510	BAND	1	1	1					
18	1	172456-78150	HOSE	1	1	1					
18-1	1	172A45-78600 (A=M36240) (B=M36240) (C=M36240)	HOSE	1	1	1					S
19	1	172456-78170	HOSE	2	2	2					
20	1	172422-78200	HOSE	4	4	4					
21	1	172456-78200	HOSE	1	1	1					
22	1	172456-78210	HOSE	1	1	1					
23	1	172122-79930	CLAMP, HOSE	1	1	1					
24	1	41851-000110 (A=M36240) (B=M36240) (C=M36240)	O-RING	1	1	1					W

Fig.66. RETURN



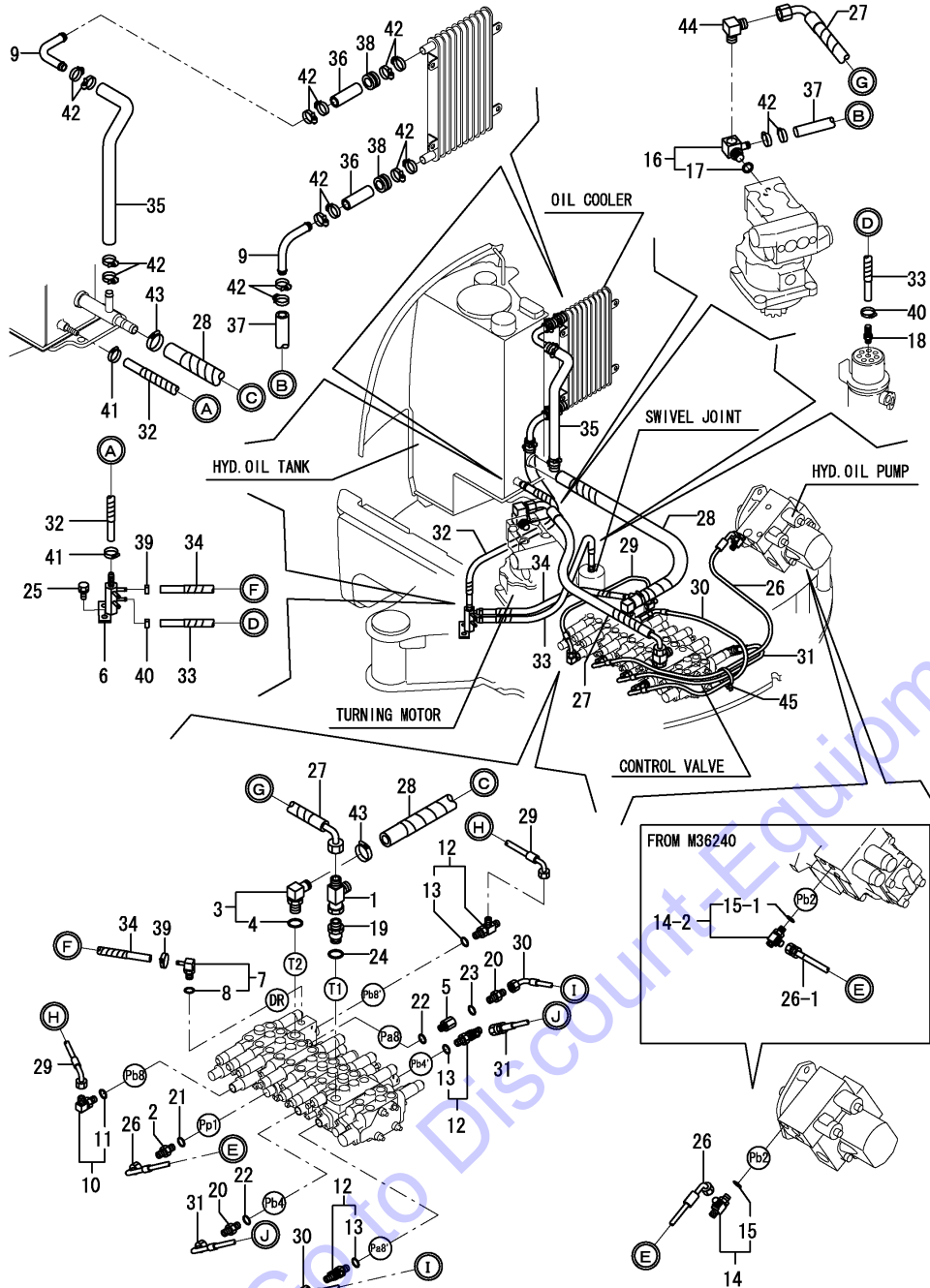
(A)=VIO20-3(US)
 (B)=VIO20-3(AS)
 (C)=VIO20-3(NZ)

(D)=
 (E)=
 (F)=

No.	Lev.	Parts No.	Description	Q'ty						I	R
				(A)	(B)	(C)	(D)	(E)	(F)		
1	1	172469-76110	CONNECTOR, 3X1/2	1	1	1					
2	1	172123-76121	ADAPTER	1	1	1					
3	1	172164-76131	ELBOW	1	1	1					
4	2	24315-000180	O-RING, 1BP18.0	1	1	1					
5	1	172422-76140	CONNECTOR	1	1	1					
6	1	172444-76150	JOINT	1	1	1					
7	1	172458-76150	NIPPLE, ELBOW	1	1	1					
8	2	24315-000110	O-RING, 1BP11.0	1	1	1					
9	1	172490-76150	PIPE	2	2	2					
10	1	172141-76180	CONNECTOR ASSY	1	1	1					
10-1	1	172141-76181	CONNECTOR ASSY, O2FF	1	1	1					N
		(A=M35241) (B=M35241) (C=M35241)									
11	2	24315-000110	O-RING, 1BP11.0	1	1	1					
11-1	2	41851-000110	O-RING	1	1	1					N
		(A=M35241) (B=M35241) (C=M35241)									
12	1	172162-76180	JOINT ASSY, 3-1/4	3	3	3					
12-1	1	172162-76181	JOINT ASSY	3	3	3					N
		(A=M35241) (B=M35241) (C=M35241)									
13	2	24315-000110	O-RING, 1BP11.0	3	3	3					
13-1	2	41851-000110	O-RING	3	3	3					N
		(A=M35241) (B=M35241) (C=M35241)									
14	1	172162-76180	JOINT ASSY, 3-1/4	1	1	1					
14-1	1	172162-76181	JOINT ASSY	1	1	1					N
		(A=M35241) (B=M35241) (C=M35241)									
14-2	1	172187-76211	ELBOW	1	1	1					S
		(A=M36240) (B=M36240) (C=M36240)									
14-3	1	172A23-76210	ELBOW	1	1	1					N
		(A=M45001) (B=M45001) (C=M45001)									
15	2	24315-000110	O-RING, 1BP11.0	1	1	1					
15-1	2	41851-000110	O-RING	1	1	1					N
		(A=M35241) (B=M35241) (C=M35241)									
16	1	172A23-76200	ELBOW	1	1	1					
17	2	24315-000140	O-RING, 1BP14.0	1	1	1					
17-1	2	41851-000140	O-RING	1	1	1					N
		(A=M35241) (B=M35241) (C=M35241)									
18	1	172141-76220	NIPPLE, O2	1	1	1					
19	1	172147-76271	CONNECTOR, 1/2X1/2	1	1	1					
20	1	172164-76330	JOINT, PF1/4-0.7	2	2	2					
21	1	24315-000110	O-RING, 1BP11.0	1	1	1					
21-1	1	41851-000110	O-RING	1	1	1					N
		(A=M35460) (B=M35460) (C=M35460)									
22	1	24315-000110	O-RING, 1BP11.0	2	2	2					
22-1	1	41851-000110	O-RING	2	2	2					N
		(A=M35460) (B=M35460) (C=M35460)									
23	1	24315-000110	O-RING, 1BP11.0	1	1	1					
23-1	1	41851-000110	O-RING	1	1	1					N
		(A=M35460) (B=M35460) (C=M35460)									
24	1	24315-000180	O-RING, 1BP18.0	1	1	1					
24-1	1	41851-000180	O-RING	1	1	1					N
		(A=M35460) (B=M35460) (C=M35460)									
25	1	26013-100202	BOLT, M10X 20	2	2	2					

N:Old \xrightarrow{Yes} New, Q:Old \xrightarrow{No} New, R:Old \xrightarrow{Yes} New, S:Old \xrightarrow{No} New, W:Add, Z:Discontinued, F:Interchangeable by set, K:Q'ty Change
 ++ CONTINUE ++
 Copyright (C) YANMAR CO., LTD. All Rights Reserved.

Fig.66. RETURN

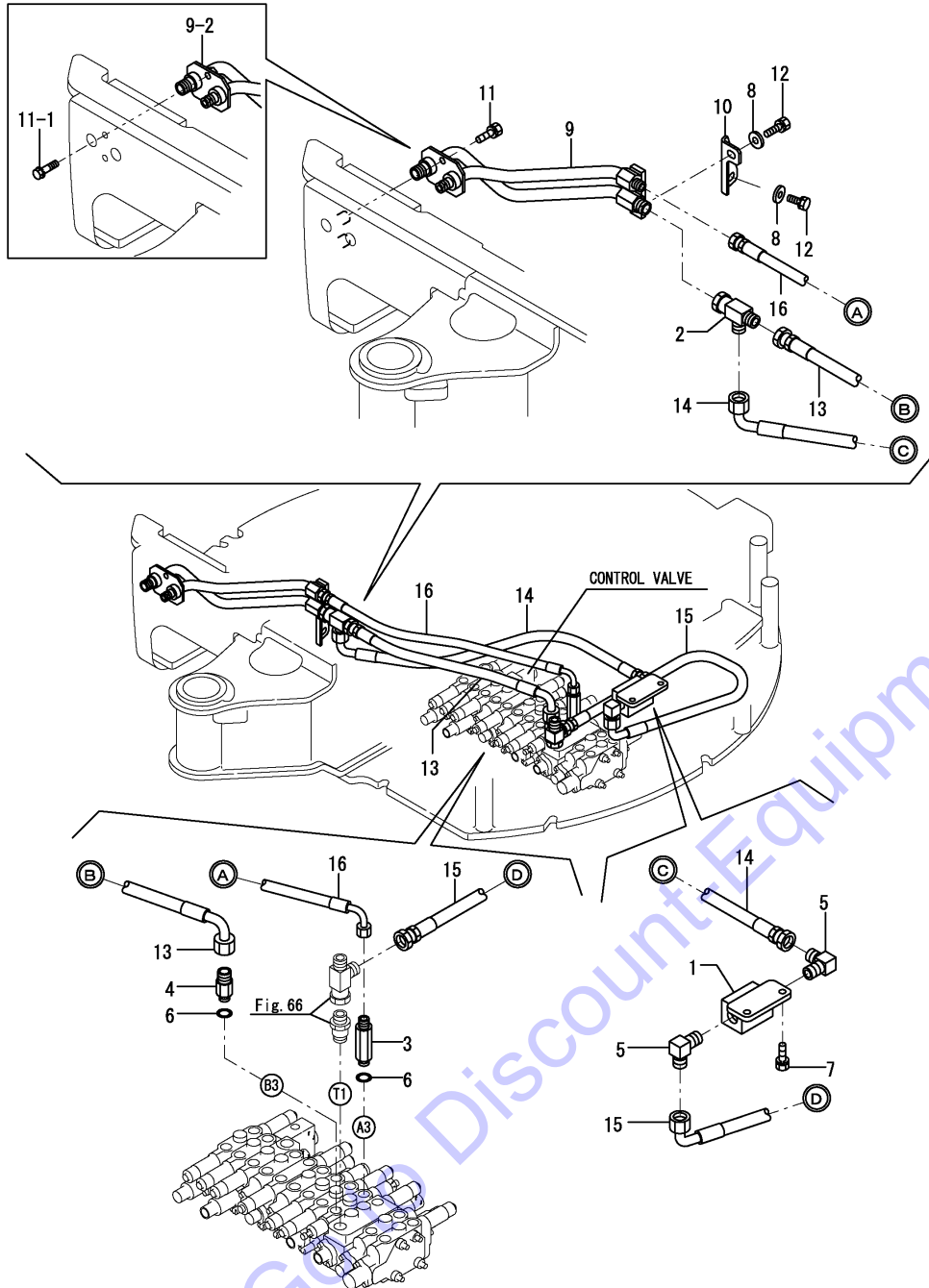


(A)=VIO20-3(US)
 (B)=VIO20-3(AS)
 (C)=VIO20-3(NZ)

(D)=
 (E)=
 (F)=

No.	Lev.	Parts No.	Description	Q'ty						I	R
				(A)	(B)	(C)	(D)	(E)	(F)		
26	1	172456-78160	HOSE	1	1	1					
26-1	1	172456-78161	HOSE F403BC091S	1	1	1					N
		(A=M45001) (B=M45001) (C=M45001)									
27	1	172456-78260	HOSE	1	1	1					
28	1	172456-78270	HOSE	1	1	1					
29	1	172458-78290	HOSE, F403CC042	1	1	1					
30	1	172458-78300	HOSE, F403CC074	1	1	1					
31	1	172458-78310	HOSE, F403BC053	1	1	1					
32	1	172165-78412	HOSE	1	1	1					
33	1	172458-78530	HOSE, G604YY054S	1	1	1					
34	1	172458-78540	HOSE, G604YY045S	1	1	1					
35	1	172A23-78840	HOSE	1	1	1					
36	1	172A23-78850	HOSE	2	2	2					
37	1	172A23-78860	HOSE	1	1	1					
38	1	29311-252000	GROMET, 25.0X2	2	2	2					
39	1	23000-013000	CLAMP, 13	2	2	2					
40	1	23000-013000	CLAMP, 13	2	2	2					
41	1	23001-016000	CLAMP, HOSE 16	2	2	2					
42	1	23001-022000	CLAMP, HOSE 22	16	16	16					
43	1	23001-035000	CLAMP, HOSE 35	2	2	2					
44	1	23393-040000	JOINT, 90RGI-1/2	1	1	1					
45	1	172122-79930	CLAMP, HOSE	1	1	1					

Fig.67. P.T.O.(FRAME END)

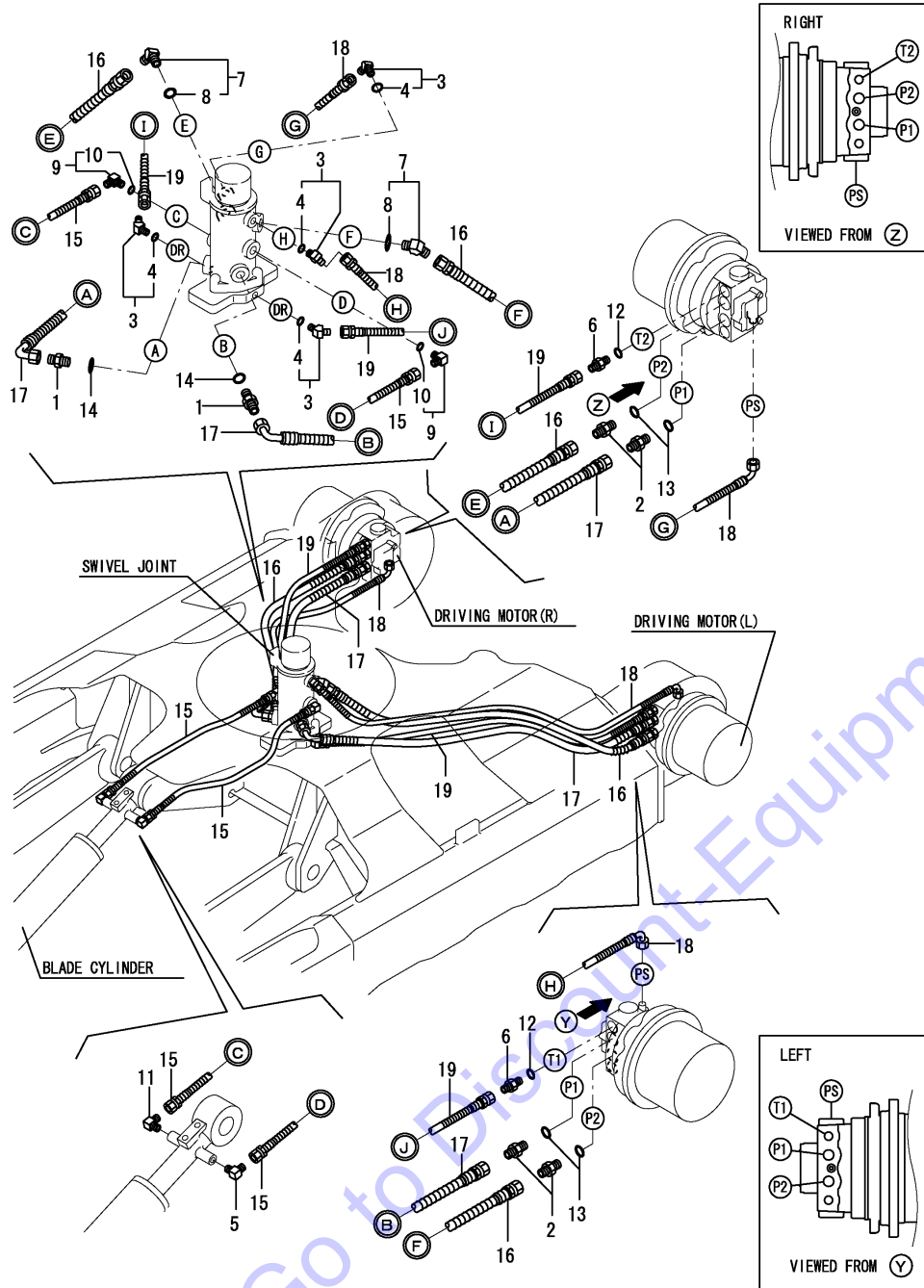


(A)=VIO20-3(US)
 (B)=VIO20-3(AS)
 (C)=VIO20-3(NZ)

(D)=
 (E)=
 (F)=

No.	Lev.	Parts No.	Description	Q'ty						I	R
				(A)	(B)	(C)	(D)	(E)	(F)		
1	1	172183-74820	VALVE, STOP	1	1	1					
1-1	1	172183-74821-4	STOPPER VALVE 08 ASS	1	1	1					R
		(A=M/#32563) (B=M/#32563) (C=M/#32563)									
1-2	1	172183-74822	VALVE ASSY, STOP	1	1	1					N
		(A=M36241) (B=M36241) (C=M36241)									
2	1	172469-76110	CONNECTOR, 3X1/2	1	1	1					
3	1	172162-76131	ADAPTER	1	1	1					
4	1	172422-76180	CONNECTOR, PF3/8X1/2	1	1	1					
5	1	23393-040000	JOINT, 90RGI-1/2	2	2	2					
6	1	24315-000140	O-RING, 1BP14.0	2	2	2					
6-1	1	41851-000140	O-RING	2	2	2					N
		(A=M35460) (B=M35460) (C=M35460)									
7	1	26013-100252	BOLT, M10X 25	2	2	2					
8	1	172110-36010	COLLAR	2	2	2					
9	1	172456-76800-2	TUBE	1	1	1					
9-1	1	172456-76800-3	TUBE	1	1	1					S
		(A=M/#32643) (B=M/#32643) (C=M/#32643)									
9-2	1	172456-76801	TUBE ASSY, F-END	1	1	1					S
		(A=M45001) (B=M45001) (C=M45001)									
10	1	172456-76880-2	PLATE, MOUNT	1	1	1					
10-1	1	172456-76880-3	PLATE, MOUNT	1	1	1					S
		(A=M/#32643) (B=M/#32643) (C=M/#32643)									
11	1	26013-100202	BOLT, M10X 20	2	2	2					
11-1	1	26013-100352	BOLT, M10X 35	2	2	2					S
		(A=M45001) (B=M45001) (C=M45001)									
12	1	26013-100252	BOLT, M10X 25	2	2	2					
13	1	172469-78550	HOSE	1	1	1					
14	1	172469-78560	HOSE	1	1	1					
15	1	172469-78570	HOSE	1	1	1					
16	1	172456-78970	HOSE	1	1	1					

Fig.68. TRAVEL FRAME

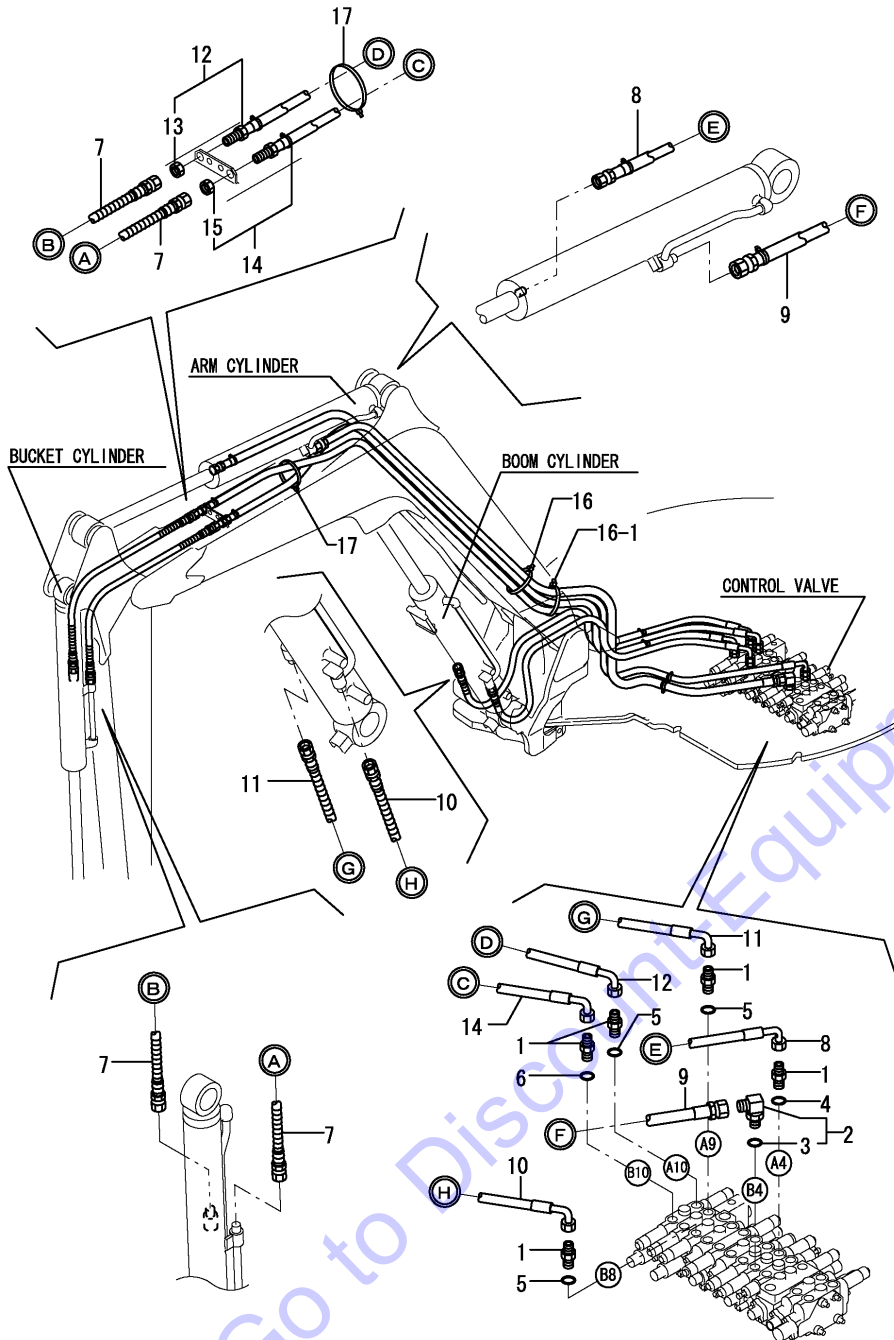


(A)=VIO20-3(US)
 (B)=VIO20-3(AS)
 (C)=VIO20-3(NZ)

(D)=
 (E)=
 (F)=

No.	Lev.	Parts No.	Description	Q'ty						I	R
				(A)	(B)	(C)	(D)	(E)	(F)		
1	1	172730-75141	ADAPTER	2	2	2					
2	1	172730-75141	ADAPTER	4	4	4					
3	1	172173-76101	CONNECTOR ASSY	4	4	4					
3-1	1	172173-76102	CONNECTOR ASSY	4	4	4					N
		(A=M35241) (B=M35241) (C=M35241)									
4	2	24315-000110	O-RING, 1BP11.0	4	4	4					
4-1	2	41851-000110	O-RING	4	4	4					N
		(A=M35241) (B=M35241) (C=M35241)									
5	1	172421-76100	CONNECTOR	1	1	1					
6	1	172123-76121	ADAPTER	2	2	2					
7	1	172644-76161	ELBOW, ADJUST	2	2	2					
8	2	24315-000140	O-RING, 1BP14.0	2	2	2					
9	1	172141-76180	CONNECTOR ASSY	2	2	2					
9-1	1	172141-76181	CONNECTOR ASSY, 02FF	2	2	2					N
		(A=M35241) (B=M35241) (C=M35241)									
10	2	24315-000110	O-RING, 1BP11.0	2	2	2					
10-1	2	41851-000110	O-RING	2	2	2					N
		(A=M35241) (B=M35241) (C=M35241)									
11	1	23393-020000	JOINT, 90RG1-1/4	1	1	1					
12	1	24315-000110	O-RING, 1BP11.0	2	2	2					
12-1	1	41851-000110	O-RING	2	2	2					N
		(A=M35460) (B=M35460) (C=M35460)									
13	1	24315-000140	O-RING, 1BP14.0	4	4	4					
13-1	1	41851-000140	O-RING	4	4	4					N
		(A=M35460) (B=M35460) (C=M35460)									
14	1	24315-000140	O-RING, 1BP14.0	2	2	2					
14-1	1	41851-000140	O-RING	2	2	2					N
		(A=M35460) (B=M35460) (C=M35460)									
15	1	172421-78120	HOSE	2	2	2					
16	1	172421-78131	HOSE	2	2	2					
17	1	172456-78291	HOSE	2	2	2					
18	1	172456-78301	HOSE	2	2	2					
19	1	172456-78312	HOSE	2	2	2					

Fig.69. CONTROL VALVE - BOOM, ARM & BUCKET

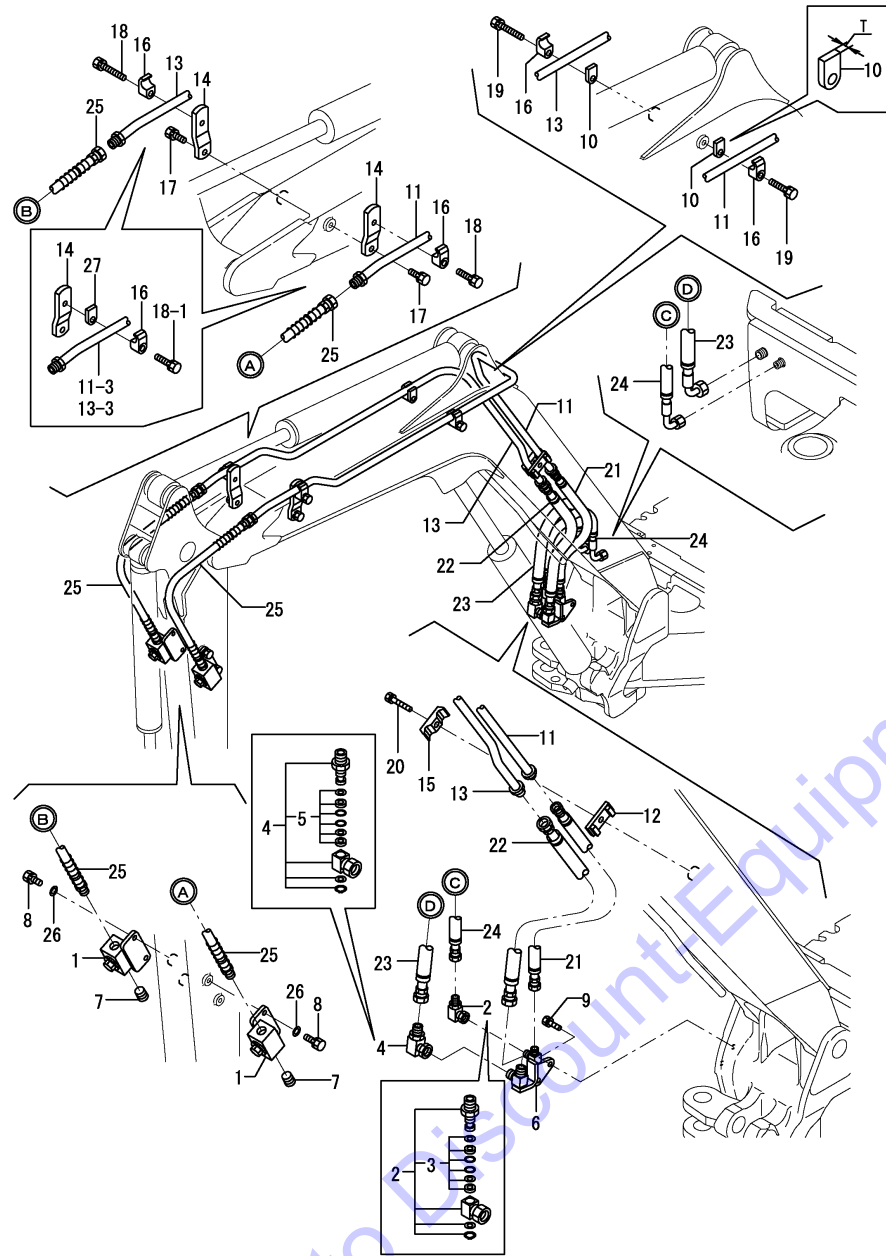


(A)=VIO20-3(US)
 (B)=VIO20-3(AS)
 (C)=VIO20-3(NZ)

(D)=
 (E)=
 (F)=

No.	Lev.	Parts No.	Description	Q'ty						I	R
				(A)	(B)	(C)	(D)	(E)	(F)		
1	1	172730-75141	ADAPTER	5	5	5					
2	1	172142-76181	JOINT ASSY	1	1	1					
3	2	24315-000140	O-RING, 1BP14.0	1	1	1					
4	1	24315-000140	O-RING, 1BP14.0	1	1	1					
4-1	1	41851-000140	O-RING	1	1	1					N
		(A=M35460) (B=M35460) (C=M35460)									
5	1	24315-000140	O-RING, 1BP14.0	3	3	3					
5-1	1	41851-000140	O-RING	3	3	3					N
		(A=M35460) (B=M35460) (C=M35460)									
6	1	24315-000140	O-RING, 1BP14.0	1	1	1					
6-1	1	41851-000140	O-RING	1	1	1					N
		(A=M35460) (B=M35460) (C=M35460)									
7	1	172957-78150	HOSE	2	2	2					
8	1	172456-78180	HOSE	1	1	1					
9	1	172456-78190	HOSE	1	1	1					
9-1	1	172456-78191	HOSE H206BB232K	1	1	1					N
		(A=M36292) (B=M36292) (C=M36292)									
10	1	172456-78220	HOSE	1	1	1					
11	1	172456-78230	HOSE	1	1	1					
12	1	172456-78241	HOSE	1	1	1					
13	2	172455-79770	NUT, LOCK	1	1	1					
14	1	172456-78251	HOSE	1	1	1					
15	2	172455-79770	NUT, LOCK	1	1	1					
16	1	172122-79930	CLAMP, HOSE	1	1	1					
16-1	1	172122-79930	CLAMP, HOSE	2	2	2					K
		(A=MXXXXX) (B=MXXXXX) (C=MXXXXX)									
17	1	172122-79930	CLAMP, HOSE	1	1	1					

Fig.70. P.T.O.(ARM END)



(A)=VIO20-3(US)
(B)=VIO20-3(AS)
(C)=VIO20-3(NZ)

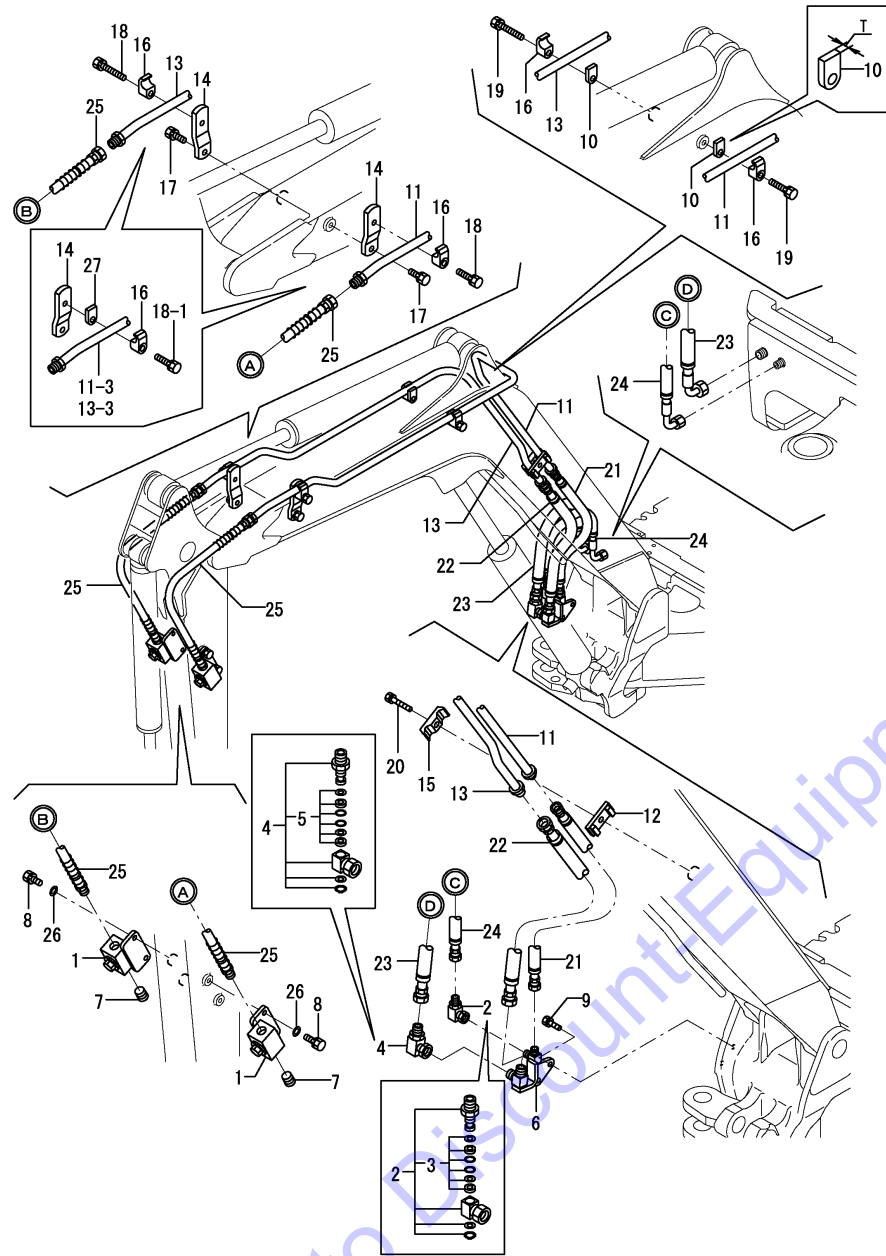
(D)=
(E)=
(F)=

No.	Lev.	Parts No.	Description	Q'ty						I	R
				(A)	(B)	(C)	(D)	(E)	(F)		
1	1	172183-74820-5	VALVE, STOP	2	2	2					
1-1	1	172183-74821	VALVE, STOP	2	2	2					R
		(A=M/#32563) (B=M/#32563) (C=M/#32563)									
1-2	1	172183-74821-3	VALVE, STOP	2	2	2					S
		(A=M34345) (B=M34345) (C=M34345)									
1-3	1	172183-74822-3	VALVE ASSY, STOP	2	2	2					N
		(A=M36241) (B=M36241) (C=M36241)									
1-4	1	172183-74822-Y	VALVE, STOP	2	2	2					S
		(A=M45501) (B=M45501) (C=M45501)									
2	1	172456-76250	JOINT, SWIVEL 3/8	1	1	1					
3	2	172456-76260	SEAL SET, 3/8	1	1	1					
4	1	172142-76270	JOINT, SWIVEL 1/2	1	1	1					
5	2	172142-77040	SEAL SET	1	1	1					
6	1	172456-76700	JOINT ASSY, PTO	1	1	1					
7	1	23871-040000	PLUG, R04	2	2	2					
8	1	26013-100252	BOLT, M10X 25	4	4	4					
9	1	26013-100252	BOLT, M10X 25	2	2	2					
10	1	172183-76250-1	PLATE	2	2	2					
10-1	1	172183-76250-2	PLATE, SPACER	2	2	2					S
		(A=M34345) (B=M34345) (C=M34345)									
10-2	1	172183-76250-Y	PLATE, SPACER	2	2	2					S
		(A=M45501) (B=M45501) (C=M45501)									
10-3	1	172187-76690-Y	PLATE	2	2	2					S 2
		(A=M45568) (B=M45568) (C=M45568)									
11	1	172456-76600-1	TUBE ASSY, PTO	1	1	1					
11-1	1	172456-76600-2	TUBE ASSY, PTO	1	1	1					S
		(A=M34345) (B=M34345) (C=M34345)									
11-2	1	172456-76600-Y	TUBE ASSY, PTO	1	1	1					S
		(A=M45501) (B=M45501) (C=M45501)									
11-3	1	172456-76601-Y	TUBE ASSY,PTO L	1	1	1					F 1
		(A=M45568) (B=M45568) (C=M45568)									
12	1	172175-76640-1	SPACER ASSY	1	1	1					
12-1	1	172175-76640-2	SPACER ASSY	1	1	1					S
		(A=M34345) (B=M34345) (C=M34345)									
12-2	1	172175-76640-Y	SPACER ASSY	1	1	1					S
		(A=M45501) (B=M45501) (C=M45501)									
13	1	172456-76650-1	TUBE ASSY, PTO	1	1	1					
13-1	1	172456-76650-2	TUBE ASSY, PTO	1	1	1					S
		(A=M34345) (B=M34345) (C=M34345)									
13-2	1	172456-76650-Y	TUBE ASSY, PTO	1	1	1					S
		(A=M45501) (B=M45501) (C=M45501)									
13-3	1	172456-76651-Y	TUBE ASSY,PTO R	1	1	1					F 1
		(A=M45568) (B=M45568) (C=M45568)									
14	1	172458-76680-1	STAY	2	2	2					
14-1	1	172458-76680-2	STAY	2	2	2					S
		(A=M34345) (B=M34345) (C=M34345)									
14-2	1	172458-76680-Y	STAY	2	2	2					S
		(A=M45501) (B=M45501) (C=M45501)									
15	1	172175-76750-5	CLAMP, PLUMBING 1/2	1	1	1					
15-1	1	172175-76750-1	CLAMP, PLUMBING 1/2	1	1	1					S
		(A=M34345) (B=M34345) (C=M34345)									

Remarks

- (1)Interchangeable by simultaneous replacement with No.10-3, 18-1, 19-1 & 27.
- (2)T=No.10-2 : 9mm, No.10-3 : 16mm.

Fig.70. P.T.O.(ARM END)



(A)=VIO20-3(US)
(B)=VIO20-3(AS)
(C)=VIO20-3(NZ)

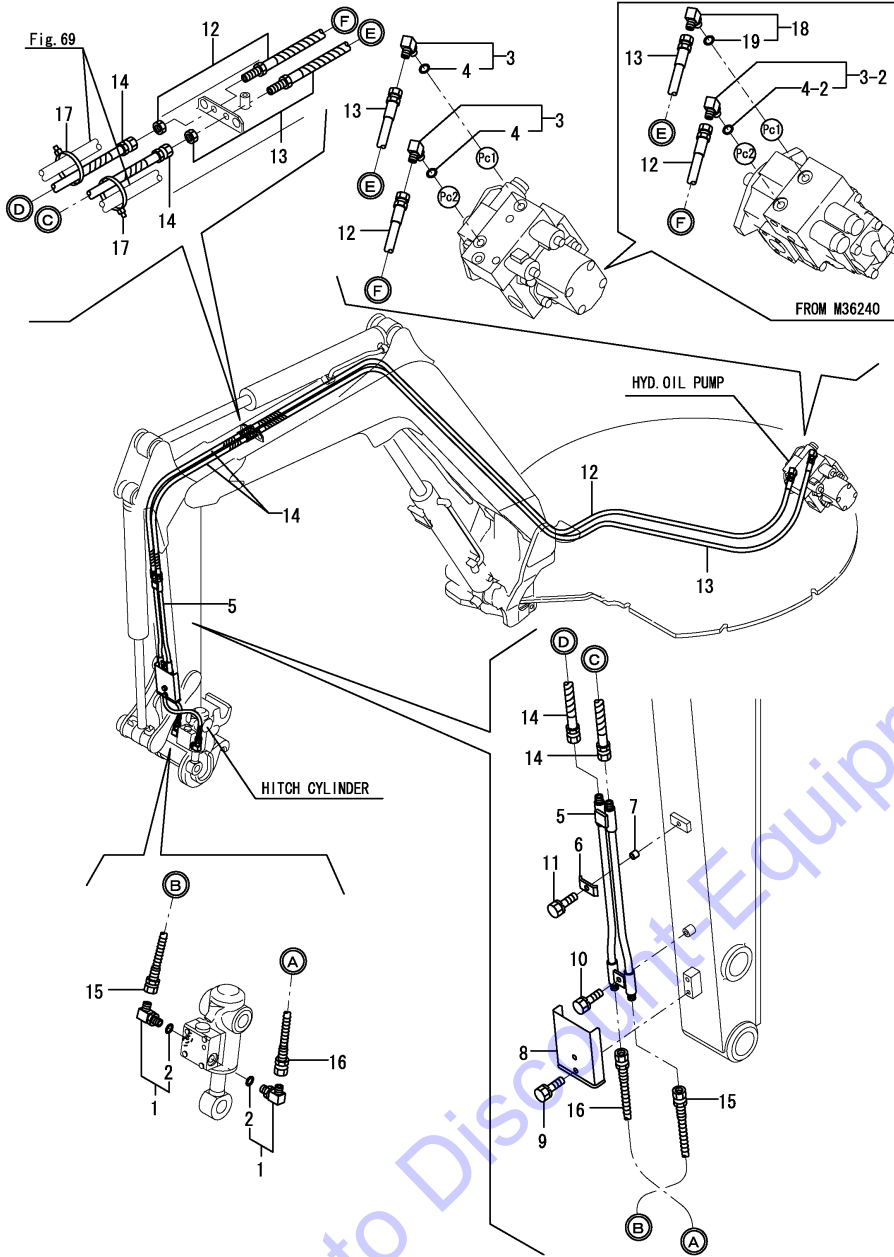
(D)=
(E)=
(F)=

No.	Lev.	Parts No.	Description	Q'ty						I	R
				(A)	(B)	(C)	(D)	(E)	(F)		
15-2	1	172175-76750-Y (A=M45501) (B=M45501) (C=M45501)	CLAMP, PLUMBING 1/2	1	1	1					S
16	1	172142-76950	CLAMP	4	4	4					
16-1	1	172142-76950-6 (A=M34345) (B=M34345) (C=M34345)	CLAMP	4	4	4					S
16-2	1	172142-76950-Y (A=M45501) (B=M45501) (C=M45501)	CLAMP, 1/2	4	4	4					S
17	1	26013-120302	BOLT, M12X 30	2	2	2					
18	1	26013-120402	BOLT, M12X 40	2	2	2					
18-1	1	26013-120502 (A=M45568) (B=M45568) (C=M45568)	BOLT, M12X 50	2	2	2					S
18-2	1	26014-120552 (A=*2016.05.) (B=*2016.05.) (C=*2016.05.)	BOLT, M12X 55	2	2	2					N
19	1	26013-120502	BOLT, M12X 50	2	2	2					
19-1	1	26013-120602 (A=M45568) (B=M45568) (C=M45568)	BOLT, M12X 60	2	2	2					S
19-2	1	26014-120602 (A=*2016.05.) (B=*2016.05.) (C=*2016.05.)	BOLT, M12X 60	2	2	2					N
20	1	26013-120552	BOLT, M12X 55	1	1	1					
20-1	1	26013-120602 (A=M45568) (B=M45568) (C=M45568)	BOLT, M12X 60	1	1	1					S
21	1	172469-78510	HOSE	1	1	1					
22	1	172469-78520	HOSE	1	1	1					
23	1	172469-78530	HOSE	1	1	1					
24	1	172469-78540	HOSE	1	1	1					
25	1	172456-78910	HOSE	2	2	2					
26	1	22117-100000	WASHER, 10	4	4	4					W
27	1	172183-76250-Y (A=M45568) (B=M45568) (C=M45568)	PLATE, SPACER	2	2	2					W

Remarks

- (1) Interchangeable by simultaneous replacement with No.10-3, 18-1, 19-1 & 27.
- (2) T=No.10-2 : 9mm, No.10-3 : 16mm.

Fig.71. QUICK COUPLER(Y SPEC.)



(A)=VIO20-3(US)
 (B)=VIO20-3(AS)
 (C)=VIO20-3(NZ)

(D)=
 (E)=
 (F)=

No.	Lev.	Parts No.	Description	Q'ty						I	R
				(A)	(B)	(C)	(D)	(E)	(F)		
1	1	172958-76130	ELBOW	2	2	2					
2	2	24315-000110	O-RING, 1BP11.0	2	2	2					
3	1	172141-76180	CONNECTOR ASSY	2	2	2					
3-1	1	172141-76181	CONNECTOR ASSY, 02FF	2	2	2					N
		(A=M35241) (B=M35241) (C=M35241)									
3-2	1	172141-76181	CONNECTOR ASSY, 02FF	1	1	1					K
		(A=M36240) (B=M36240) (C=M36240)									
4	2	24315-000110	O-RING, 1BP11.0	2	2	2					
4-1	2	41851-000110	O-RING	2	2	2					N
		(A=M35241) (B=M35241) (C=M35241)									
4-2	2	41851-000110	O-RING	1	1	1					K
		(A=M36240) (B=M36240) (C=M36240)									
5	1	172956-76100-1	TUBE, HITCH	1	1	1					
5-1	1	172956-76100-3	TUBE, HITCH	1	1	1					S
		(A=M34345) (B=M34345) (C=M34345)									
5-2	1	172956-76100-Y	TUBE, HITCH	1	1	1					S
		(A=M45501) (B=M45501) (C=M45501)									
6	1	172110-76170-1	PLATE	1	1	1					
6-1	1	172110-76170-3	PLATE	1	1	1					S
		(A=M34345) (B=M34345) (C=M34345)									
6-2	1	172110-76170	PLATE	1	1	1					R
		(A=MZZZZZ) (B=MZZZZZ) (C=MZZZZZ)									
7	1	172137-76580	COLLAR	1	1	1					
8	1	172956-81901-1	COVER, ARM	1	1	1					
8-1	1	172956-81901-3	COVER, ARM	1	1	1					S
		(A=M34345) (B=M34345) (C=M34345)									
8-2	1	172956-81901-Y	COVER, ARM	1	1	1					S
		(A=M45501) (B=M45501) (C=M45501)									
9	1	26013-080162	BOLT, M8X 16	2	2	2					
10	1	26013-080162	BOLT, M8X 16	1	1	1					
11	1	26013-080252	BOLT, M8X 25	1	1	1					
12	1	172956-78100	HOSE	1	1	1					
13	1	172956-78110	HOSE	1	1	1					
14	1	172957-78111	HOSE	2	2	2					
15	1	172956-78120	HOSE	1	1	1					
16	1	172958-78200	HOSE	1	1	1					
17	1	172122-79930	CLAMP, HOSE	2	2	2					
18	1	172958-76130	ELBOW	1	1	1					W
		(A=M36240) (B=M36240) (C=M36240)									
19	2	24315-000110	O-RING, 1BP11.0	1	1	1					

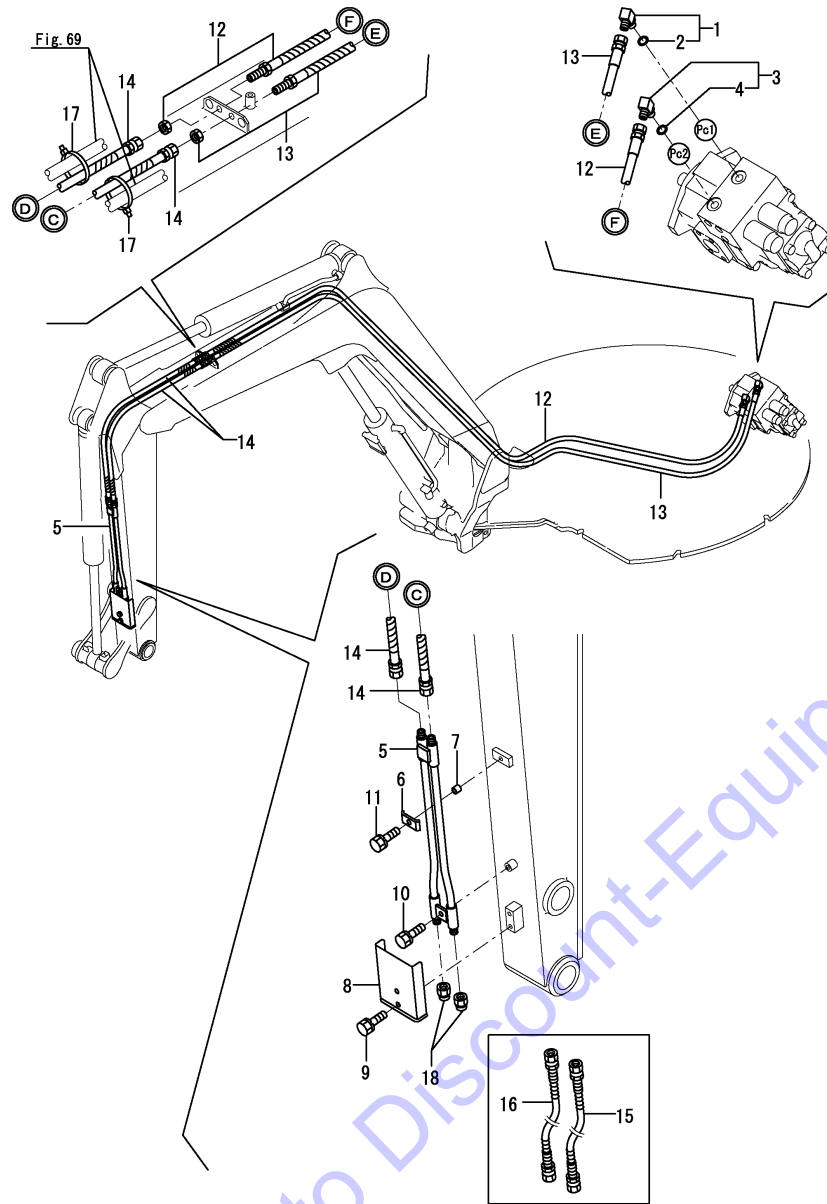
Remarks

* This figure is applied quick coupler specification made by YANMAR.

Fig.92. (71A)QUICK COUPLER(EXCEPT Y SPEC.)

(A)=VIO20-3(US)
 (B)=VIO20-3(AS)
 (C)=VIO20-3(NZ)

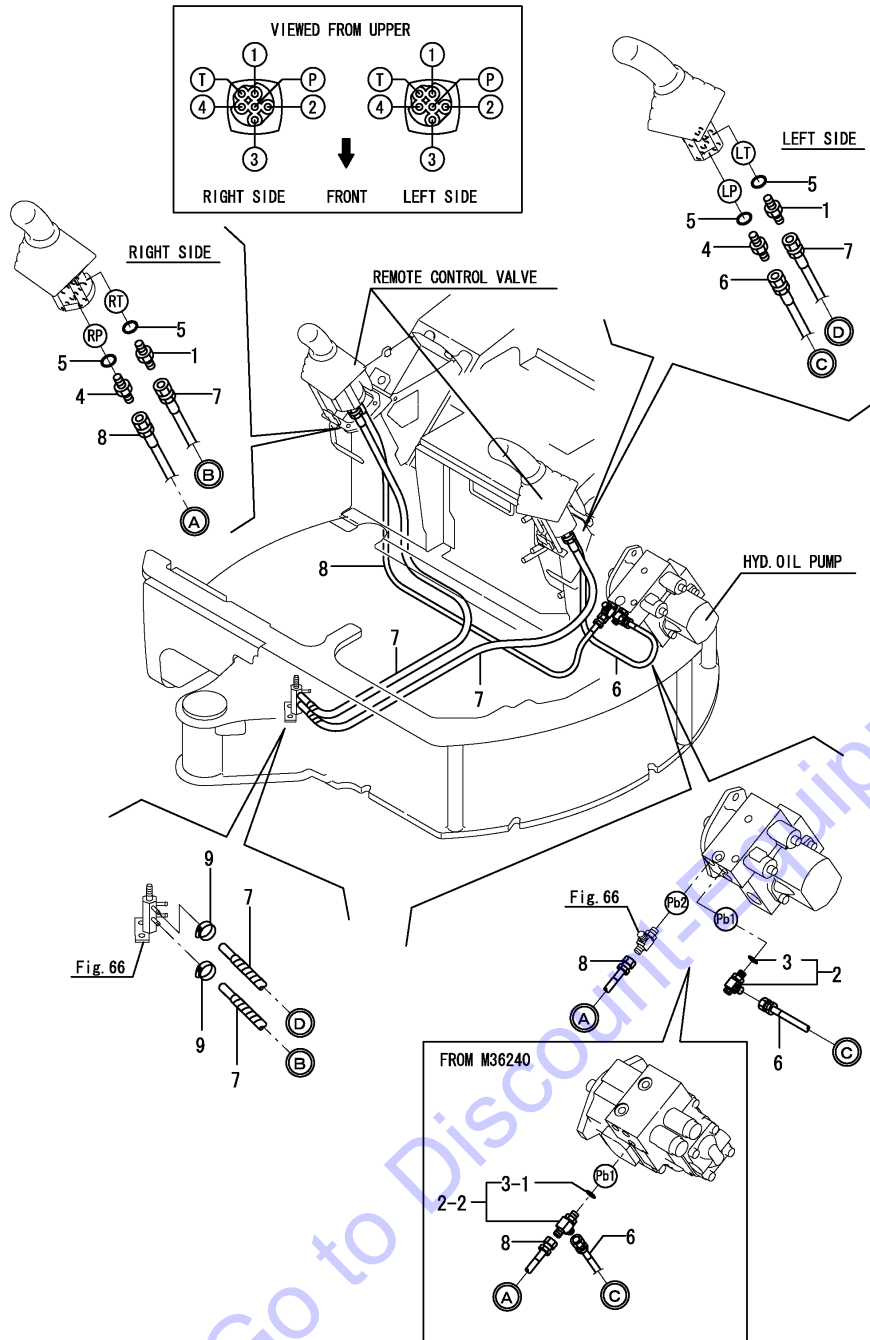
(D)=
 (E)=
 (F)=



No.	Lev.	Parts No.	Description	Q'ty						I	R
				(A)	(B)	(C)	(D)	(E)	(F)		
1	1	172958-76130	ELBOW		1						
2	2	24315-000110	O-RING, 1BP11.0		1						
3	1	172141-76181	CONNECTOR ASSY, 02FF		1						
4	2	41851-000110	O-RING		1						
5	1	172956-76100-Y	TUBE, HITCH		1						
6	1	172110-76170	PLATE		1						
7	1	172137-76580	COLLAR		1						
8	1	172956-81901-Y	COVER, ARM		1						
9	1	26013-080162	BOLT, M8X 16		2						
10	1	26013-080162	BOLT, M8X 16		1						
11	1	26013-080252	BOLT, M8X 25		1						
12	1	172956-78100	HOSE		1						
13	1	172956-78110	HOSE		1						
14	1	172957-78111	HOSE		2						
15	1	172956-78120	HOSE		1						
16	1	172958-78200	HOSE		1						
17	1	172122-79930	CLAMP, HOSE		2						
18	1	1E3030-78370	CAP, SCREW		2						

Remarks
 * This figure is not applied quick coupler specification made by YANMAR.

Fig.72. CONTROL PIPING(PUMP - CONTROL VALVE - RETURN)



(A)=VIO20-3(US)
 (B)=VIO20-3(AS)
 (C)=VIO20-3(NZ)

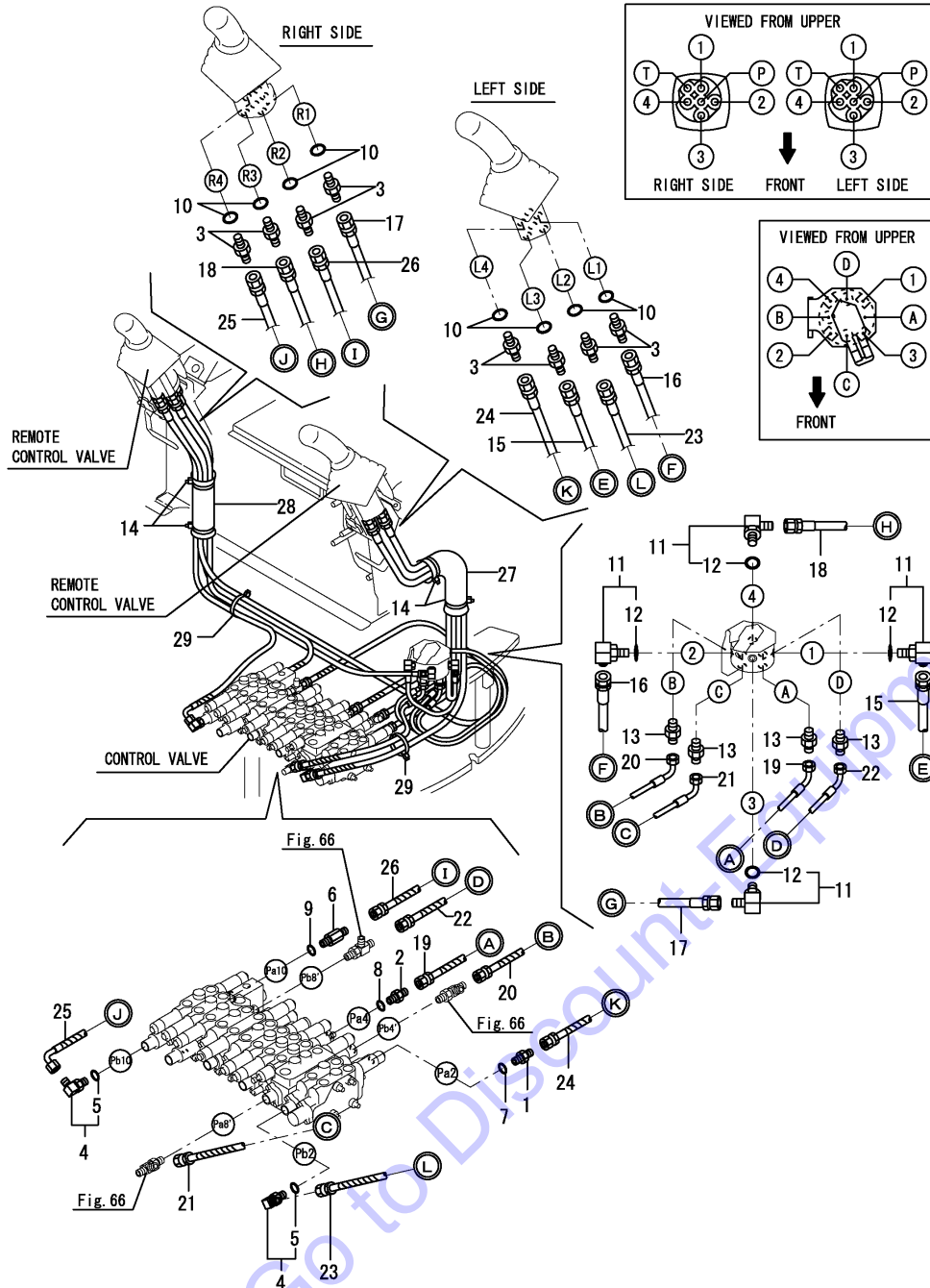
(D)=
 (E)=
 (F)=

No.	Lev.	Parts No.	Description	Q'ty						I	R
				(A)	(B)	(C)	(D)	(E)	(F)		
1	1	172123-76121	ADAPTER	2	2	2					
2	1	172187-76210	ELBOW	1	1	1					
2-1	1	172187-76211	ELBOW	1	1	1					N
		(A=M34222) (B=M34222) (C=M34222)									
2-2	1	172162-76181	JOINT ASSY	1	1	1					S
		(A=M36240) (B=M36240) (C=M36240)									
3	2	24315-000110	O-RING, 1BP11.0	1	1	1					
3-1	2	41851-000110	O-RING	1	1	1					N
		(A=M34222) (B=M34222) (C=M34222)									
4	1	172455-76220	CONNECTOR	2	2	2					
5	1	24315-000110	O-RING, 1BP11.0	4	4	4					
5-1	1	41851-000110	O-RING	4	4	4					N
		(A=M35460) (B=M35460) (C=M35460)									
6	1	172469-78180	HOSE	1	1	1					
7	1	172469-78190	HOSE	2	2	2					
8	1	172469-78200	HOSE	1	1	1					
9	1	23000-013000	CLAMP, 13	2	2	2					

Fig.73. CONTROL PIPING(REMOTE CONTROL VALVE - 2WAY VALVE - CONTROL VALVE)

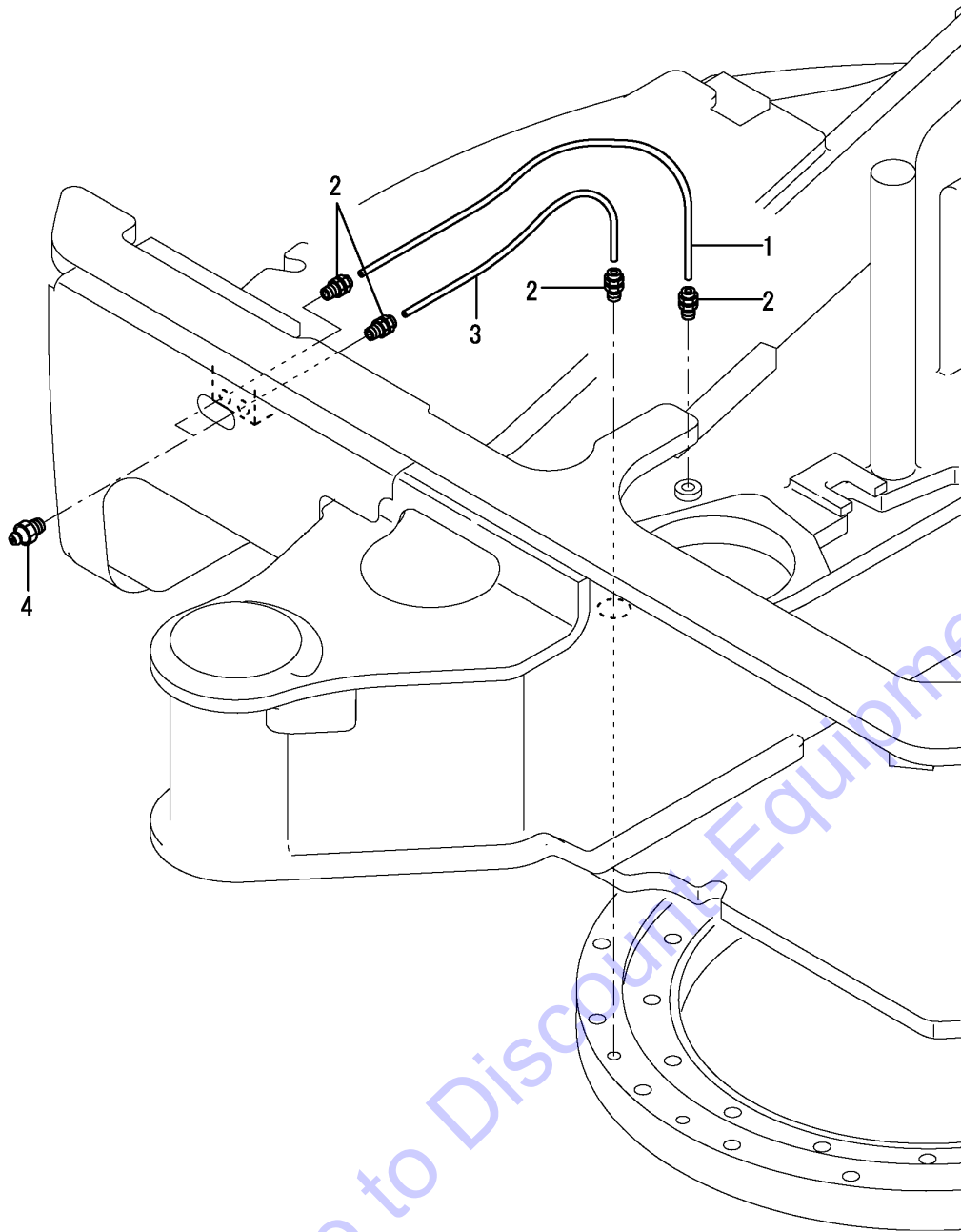
(A)=VIO20-3(US)
(B)=VIO20-3(AS)
(C)=VIO20-3(NZ)

(D)=
(E)=
(F)=



No.	Lev.	Parts No.	Description	Q'ty						I	R
				(A)	(B)	(C)	(D)	(E)	(F)		
1	1	172123-76121	ADAPTER	1	1	1					
2	1	172123-76121	ADAPTER	1	1	1					
3	1	172123-76121	ADAPTER	8	8	8					
4	1	172141-76180	CONNECTOR ASSY	2	2	2					
4-1	1	172141-76181	CONNECTOR ASSY, 02FF	2	2	2					N
		(A=M35241) (B=M35241) (C=M35241)									
5	2	24315-000110	O-RING, 1BP11.0	2	2	2					
5-1	2	41851-000110	O-RING	2	2	2					N
		(A=M35241) (B=M35241) (C=M35241)									
6	1	172183-76200	CONNECTOR	1	1	1					
7	1	24315-000110	O-RING, 1BP11.0	1	1	1					
7-1	1	41851-000110	O-RING	1	1	1					N
		(A=M35460) (B=M35460) (C=M35460)									
8	1	24315-000110	O-RING, 1BP11.0	1	1	1					
8-1	1	41851-000110	O-RING	1	1	1					N
		(A=M35460) (B=M35460) (C=M35460)									
9	1	24315-000110	O-RING, 1BP11.0	1	1	1					
9-1	1	41851-000110	O-RING	1	1	1					N
		(A=M35460) (B=M35460) (C=M35460)									
10	1	24315-000110	O-RING, 1BP11.0	8	8	8					
10-1	1	41851-000110	O-RING	8	8	8					N
		(A=M35460) (B=M35460) (C=M35460)									
11	1	172141-76180	CONNECTOR ASSY	4	4	4					
11-1	1	172141-76181	CONNECTOR ASSY, 02FF	4	4	4					N
		(A=M35241) (B=M35241) (C=M35241)									
12	2	24315-000110	O-RING, 1BP11.0	4	4	4					
12-1	2	41851-000110	O-RING	4	4	4					N
		(A=M35241) (B=M35241) (C=M35241)									
13	1	23391-020000	JOINT, RGI-1/4	4	4	4					
14	1	172126-11510	BAND	4	4	4					
15	1	172469-78100	HOSE	1	1	1					
16	1	172469-78110	HOSE	1	1	1					
17	1	172469-78120	HOSE	1	1	1					
18	1	172469-78130	HOSE	1	1	1					
19	1	172469-78140	HOSE	1	1	1					
20	1	172469-78150	HOSE	1	1	1					
21	1	172472-78160	HOSE	1	1	1					
22	1	172469-78170	HOSE	1	1	1					
23	1	172469-78210	HOSE	1	1	1					
24	1	172469-78220	HOSE	1	1	1					
25	1	172469-78230	HOSE	1	1	1					
26	1	172469-78240	HOSE	1	1	1					
27	1	172472-78800	SPONGE, HOSE	1	1	1					
28	1	172165-79810	SPONGE, HOSE	1	1	1					
29	1	172122-79930	CLAMP, HOSE	4	4	4					

Fig.74. GREASING



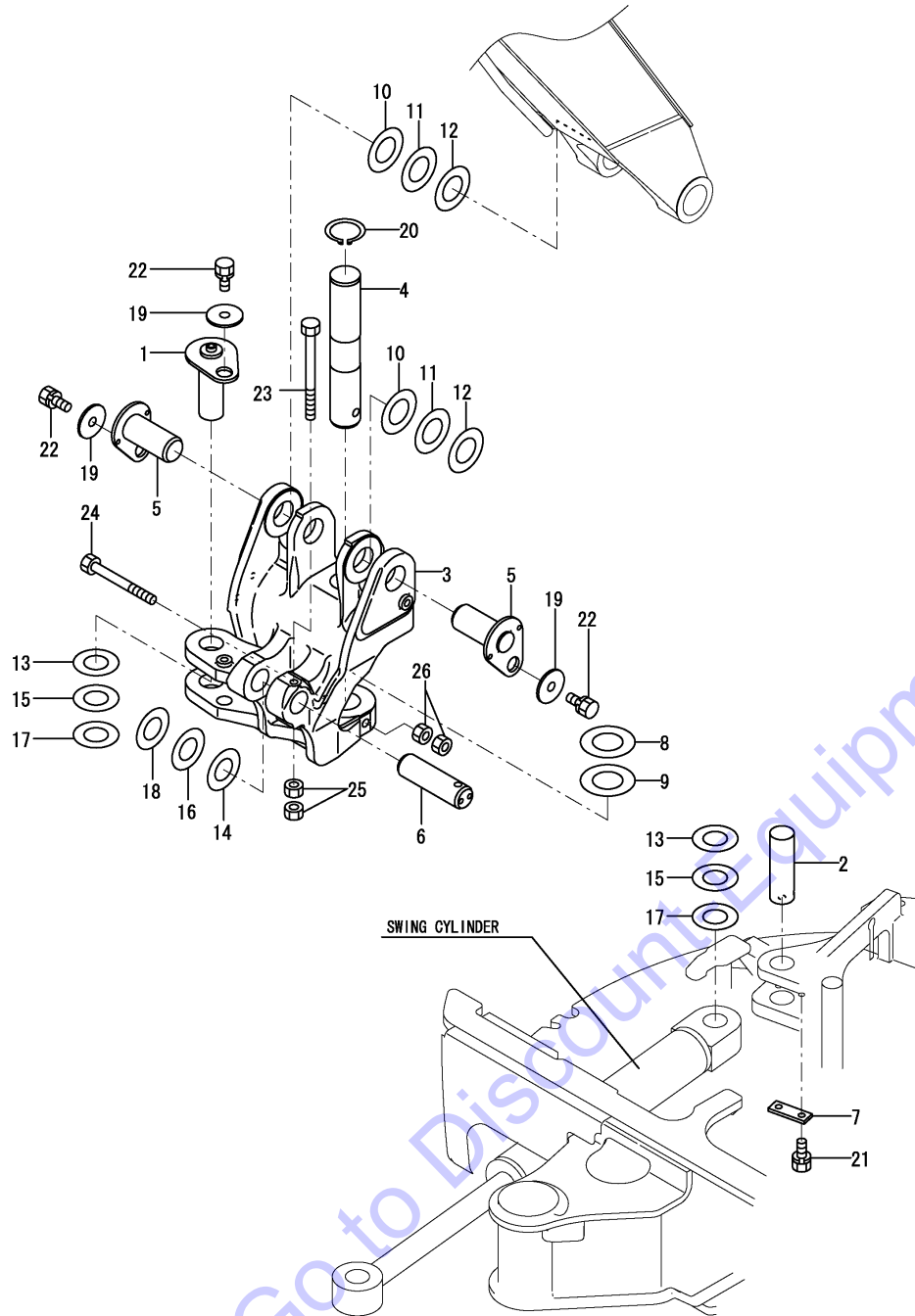
(A)=VIO20-3(US)
 (B)=VIO20-3(AS)
 (C)=VIO20-3(NZ)

(D)=
 (E)=
 (F)=

No.	Lev.	Parts No.	Description	Q'ty						I	R
				(A)	(B)	(C)	(D)	(E)	(F)		
1	1	172186-77100	HOSE	1	1	1					
2	1	172141-77800	JOINT, GREASE	4	4	4					
3	1	172151-77801	HOSE	1	1	1					
4	1	24761-020000	NIPPLE, GREASE PT1/8	2	2	2					

Go to DiscountEquipment.com to order your parts

Fig.75. BOOM BRACKET

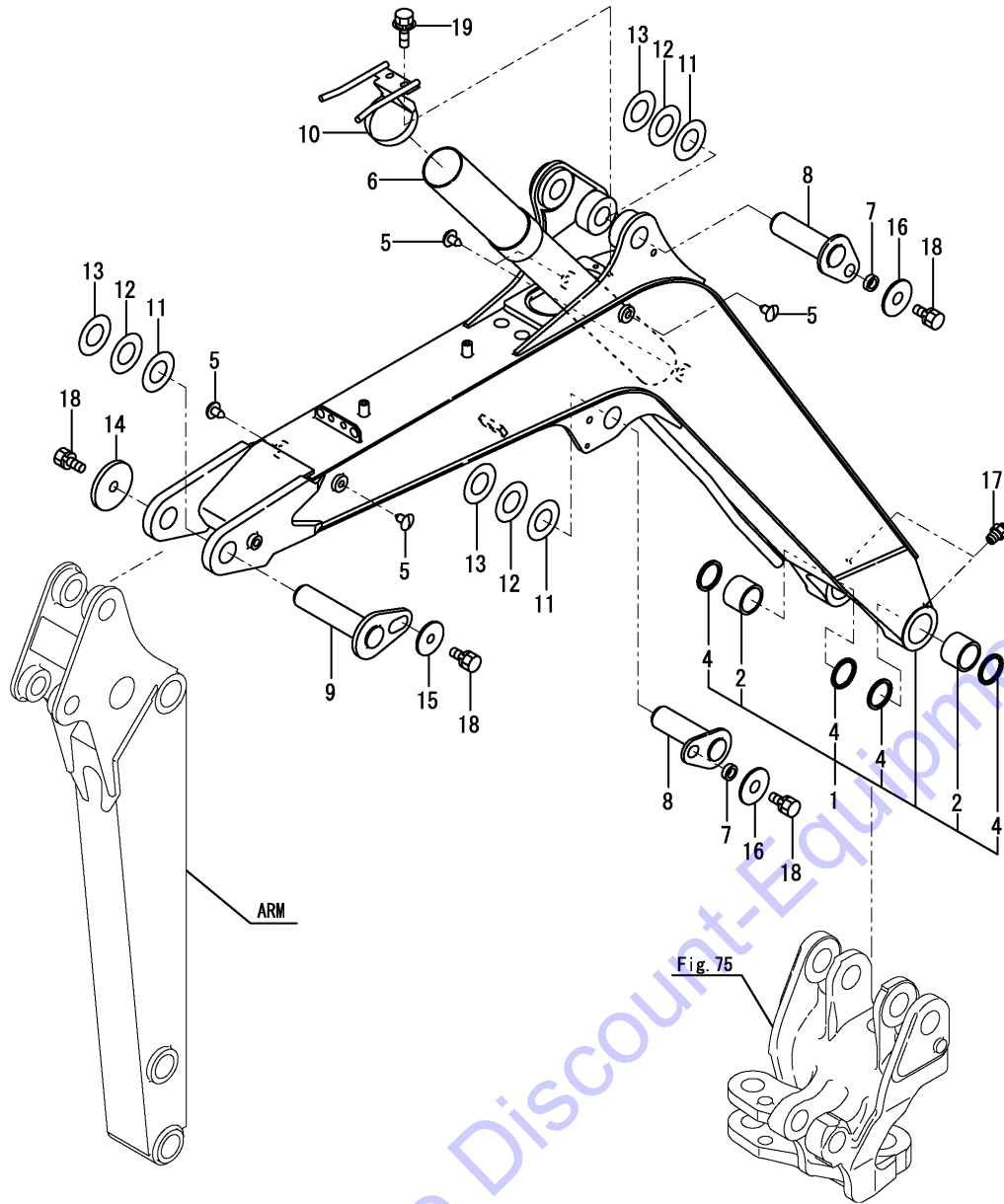


(A)=VIO20-3(US)
 (B)=VIO20-3(AS)
 (C)=VIO20-3(NZ)

(D)=
 (E)=
 (F)=

No.	Lev.	Parts No.	Description	Q'ty						I	R
				(A)	(B)	(C)	(D)	(E)	(F)		
1	1	172456-81900	PIN 40X103	1	1	1					
2	1	172458-81920	PIN	1	1	1					
3	1	172456-82300-1	BRACKET, BOOM	1	1	1					
3-1	1	172456-82300-2 (A=M34345) (B=M34345) (C=M34345)	BRACKET, BOOM(2J)	1	1	1					S
3-2	1	172456-82300-Y (A=M45501) (B=M45501) (C=M45501)	BRACKET, BOOM	1	1	1					S
4	1	172456-82330	PIN 50X264	1	1	1					
5	1	172456-82340	PIN 45X98	2	2	2					
6	1	172456-82360	PIN 40X124	1	1	1					
6-1	1	172456-82361 (A=M34875) (B=M34875) (C=M34875)	PIN 40X124	1	1	1					N
7	1	172456-82400-2	PLATE, LOCK	1	1	1					
7-1	1	172456-82400-3 (A=M/#32643) (B=M/#32643) (C=M/#32643)	PLATE, LOCK	1	1	1					S
8	1	172165-82520	SHIM	1	1	1					
9	1	172165-82530	SHIM	1	1	1					
10	1	172165-82550	SHIM	2	2	2					
11	1	172165-82560	SHIM	2	2	2					
12	1	172165-82570	SHIM	2	2	2					
13	1	172165-82580	SHIM	2	2	2					
14	1	172165-82580	SHIM	1	1	1					
15	1	172165-82590	SHIM	2	2	2					
16	1	172165-82590	SHIM	1	1	1					
17	1	172165-82600	SHIM	2	2	2					
18	1	172165-82600	SHIM	1	1	1					
19	1	22157-120000	WASHER, 12	3	3	3					
20	1	22242-000500	RING, 50	1	1	1					
21	1	26013-100202	BOLT, M10X 20	2	2	2					
22	1	26013-120252	BOLT, M12X 25	3	3	3					
23	1	26116-121102	BOLT, M12X110 PLATED	1	1	1					
24	1	26206-141502	BOLT, M14X150 PLATED	1	1	1					
25	1	26716-120002	NUT, M12	2	2	2					
26	1	26716-140002	NUT, M14	2	2	2					

Fig.76. BOOM



(A)=VIO20-3(US)
 (B)=VIO20-3(AS)
 (C)=VIO20-3(NZ)

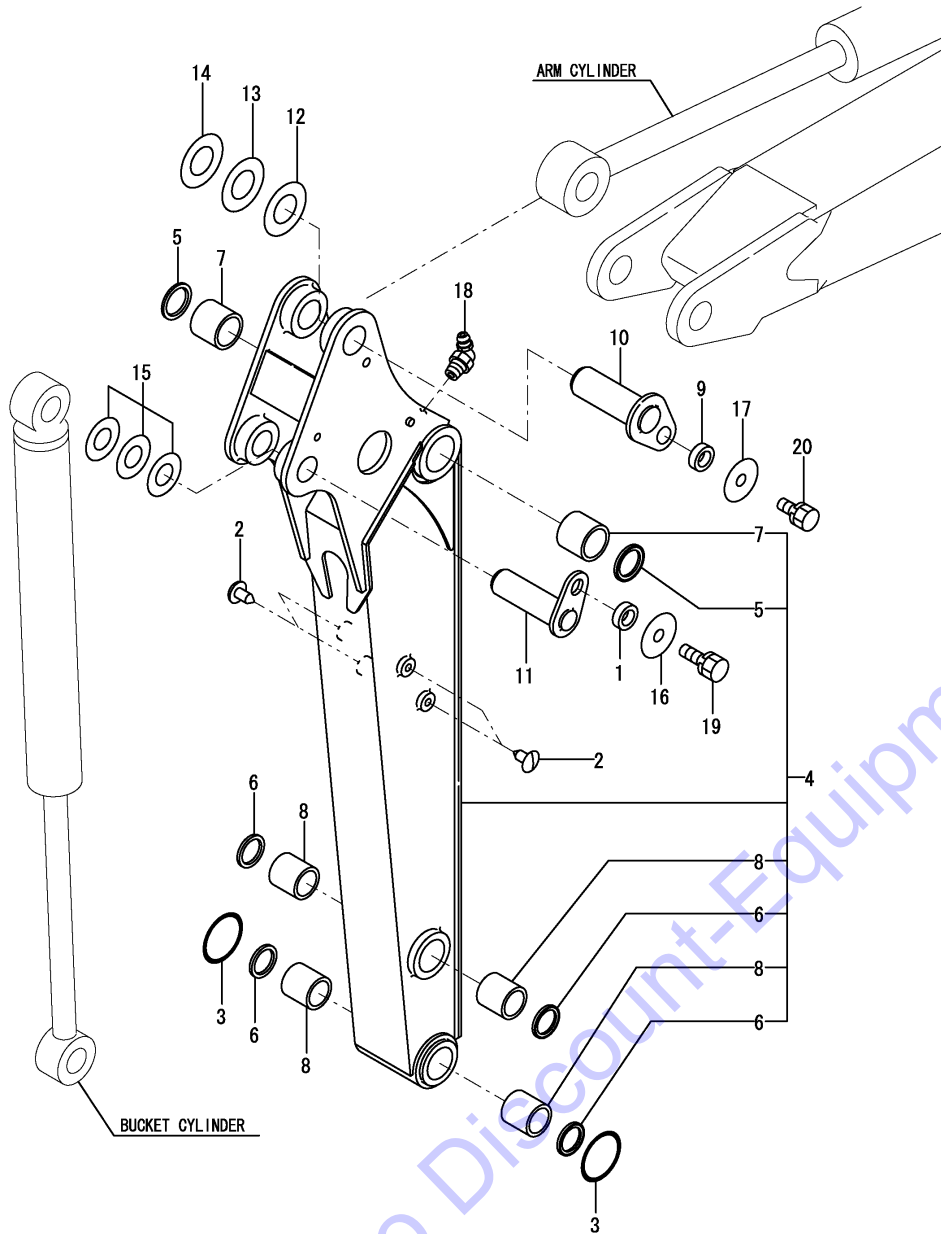
(D)=
 (E)=
 (F)=

No.	Lev.	Parts No.	Description	Q'ty						I	R
				(A)	(B)	(C)	(D)	(E)	(F)		
1	1	172A23-81090-1	BOOM ASSY	1	1	1					1
1-1	1	172A23-81090-3	BOOM ASSY (2J)	1	1	1					S 1
		(A=M34345) (B=M34345) (C=M34345)									
1-2	1	172A23-81090-Y	BOOM ASSY	1	1	1					S 1
		(A=M45501) (B=M45501) (C=M45501)									
2	2	172168-72400	BUSH 45X55X40	2	2	2					
4	2	172168-81410	SEAL, DUST	4	4	4					
4A	1	172524-03271	LABEL, REAR	2	2	2					2
4A-1	1	172A55-03310	LABEL, BRAND 450	2	2	2					N 2
		(A=M/#32637) (B=M/#32637) (C=M/#32637)									
4A-2	1	172A86-03310	LABEL, YANMAR	2	2	2					N 2
		(A=M45501) (B=M45501) (C=M45501)									
4A-3	1	172A86-03790	LABEL, YANMAR 450 B	2	2	2					S 2
		(A=MEF001) (B=MEF001) (C=MEF001)									
4B	1	172437-03431	LABEL, STEERING	1	1	1					2
4B-1	1	172437-03432	LABEL, STEERING	1	1	1					N 2
		(A=M/#31399) (B=M/#31399) (C=M/#31399)									
4C	1	172437-03460	LABEL, BOOM	2	2	2					2
4C-1	1	172437-03461	LABEL, BOOM	2	2	2					N 2
		(A=M/#31399) (B=M/#31399) (C=M/#31399)									
4D	1	172472-03270	LABEL, SAND US	1	1	1					2
4D-1	1	172472-03271	LABEL, SANDUS	1	1	1					N 2
		(A=M/#31399) (B=M/#31399) (C=M/#31399)									
4E	1	172472-03280	LABEL	1	1	1					2
4E-1	1	172472-03281	LABEL, WARNING HITCH	1	1	1					N 2
		(A=M/#31399) (B=M/#31399) (C=M/#31399)									
5	1	172183-81170	CLIP, TREE	5	5	5					
5-1	1	172176-68210	CLIP, TREE	5	5	5					N
		(A=M/#31299) (B=M/#31299) (C=M/#31299)									
5-2	1	172176-68210	CLIP, TREE	5	5	5					Z
		(A=MXXXXX) (B=MXXXXX) (C=MXXXXX)									
6	1	172456-81450	PIPE ASSY, PROTECT	1	1	1					
7	1	172164-81670	SPACER	2	2	2					
8	1	172456-81710	PIN 40X134	2	2	2					
9	1	172456-81740	PIN 40X167.5 ASSY	1	1	1					
10	1	172458-81751-1	CLAMP, PIPE	1	1	1					
10-1	1	172458-81751-2	CLAMP, PIPE	1	1	1					S
		(A=M34345) (B=M34345) (C=M34345)									
10-2	1	172458-81751-Y	CLAMP, PIPE	1	1	1					S
		(A=M45501) (B=M45501) (C=M45501)									
11	1	172165-82580	SHIM	3	3	3					
12	1	172165-82590	SHIM	3	3	3					
13	1	172165-82600	SHIM	3	3	3					
14	1	172146-82910	SPACER	1	1	1					
15	1	172444-82990	WASHER	1	1	1					
16	1	22157-120000	WASHER, 12	2	2	2					
17	1	24761-050000	NIPPLE, GREASE C	2	2	2					
18	1	26013-120252	BOLT, M12X 25	4	4	4					
19	1	26014-080162	BOLT, M8X 16	2	2	2					

Remarks

- (1) Attach the No.4A, 4B, 4C, 4D & 4E label to this part.
- (2) Label is not illustrated.

Fig.77. ARM



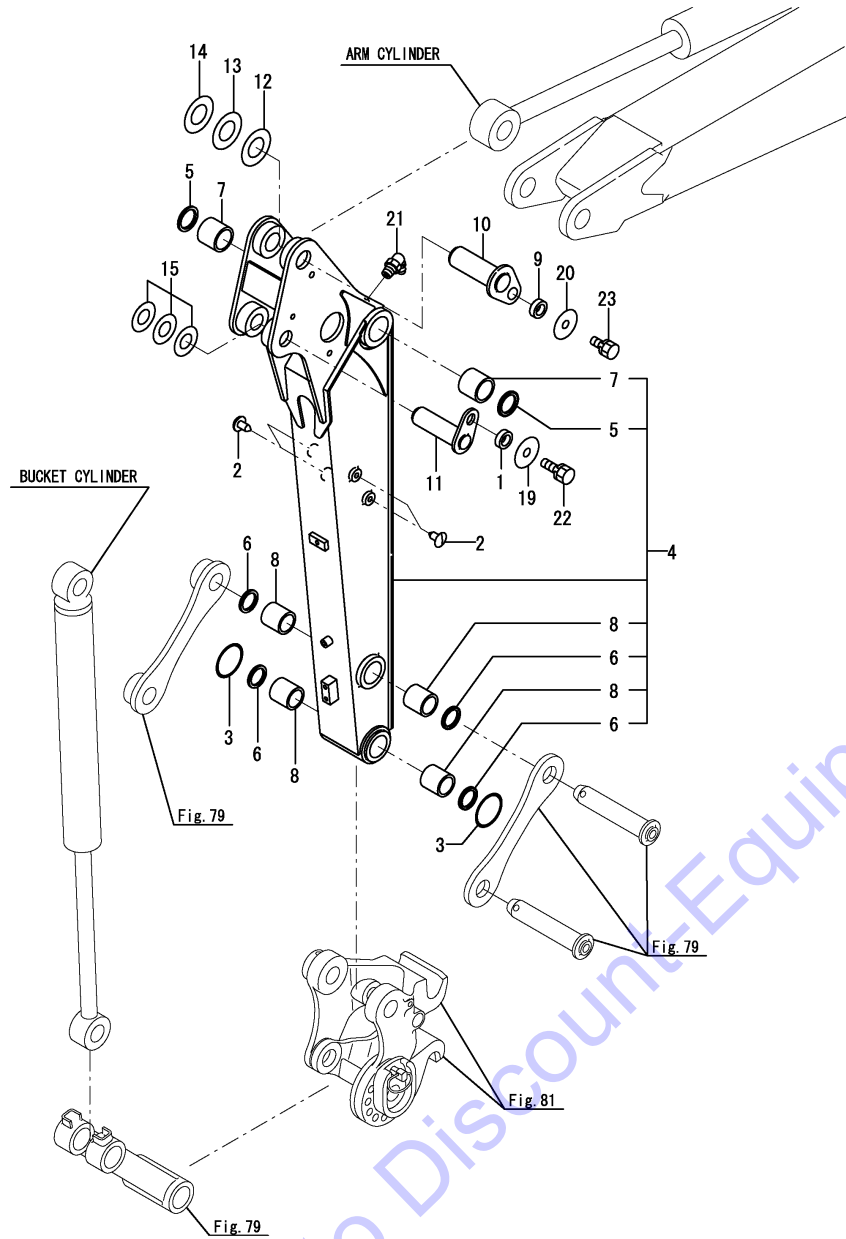
(A)=VIO20-3(US)
 (B)=VIO20-3(AS)
 (C)=VIO20-3(NZ)

(D)=
 (E)=
 (F)=

No.	Lev.	Parts No.	Description	Q'ty						I	R
				(A)	(B)	(C)	(D)	(E)	(F)		
1	1	172010-01640	SPACER	1							
2	1	172183-81160	CLIP, TREE	4							Z
(A=MXXXXX)											
3	1	172171-81270	O-RING, 61X6.0	2							
4	1	172456-81490-1	ARM ASSY, 950	1							W 1
(A=M#32722)											
4-1	1	172456-81490-3	ARM ASSY, 950	1							S 1
(A=M34345)											
4-2	1	172456-81491-2	ARM ASSY, 950	1							N 1
(A=M45001)											
4-3	1	172456-81491-Y	ARM ASSY,950	1							S 1
(A=M45501)											
5	2	172448-72650	SEAL, DUST	2							
6	2	172448-81610	SEAL, DUST 35X45X4	4							
7	2	172456-81650	BUSHING 40X50X45	2							
8	2	172141-82270	BUSH 35 45	4							
8A	1	172437-03510	LABEL, HOOK	2							2
8A-1	1	172437-03511	LABEL, HOOK	2							N 2
(A=M#31399)											
8A-2	1	172437-03511	LABEL, HOOK	1							K 2
(A=M#31553)											
9	1	172164-81670	SPACER	1							
10	1	172456-81770	PIN 40X116 ASSY	1							
11	1	172456-81810	PIN 35X116 ASSY	1							
12	1	172165-82580	SHIM	1							
13	1	172165-82590	SHIM	1							
14	1	172165-82600	SHIM	1							
15	1	172141-84601	SHIM	1							
16	1	22157-100000	WASHER, 10	1							
17	1	22157-120000	WASHER, 12	1							
18	1	24761-040000	NIPPLE, GREASE B	1							
19	1	26013-100252	BOLT, M10X 25	1							
20	1	26013-120252	BOLT, M12X 25	1							

Remarks
 (1) Attach the No.8A label to this part.
 (2) Label is not illustrated.

Fig.78. ARM(QUICK COUPLER SPEC.)



(A)=VIO20-3(US)
 (B)=VIO20-3(AS)
 (C)=VIO20-3(NZ)

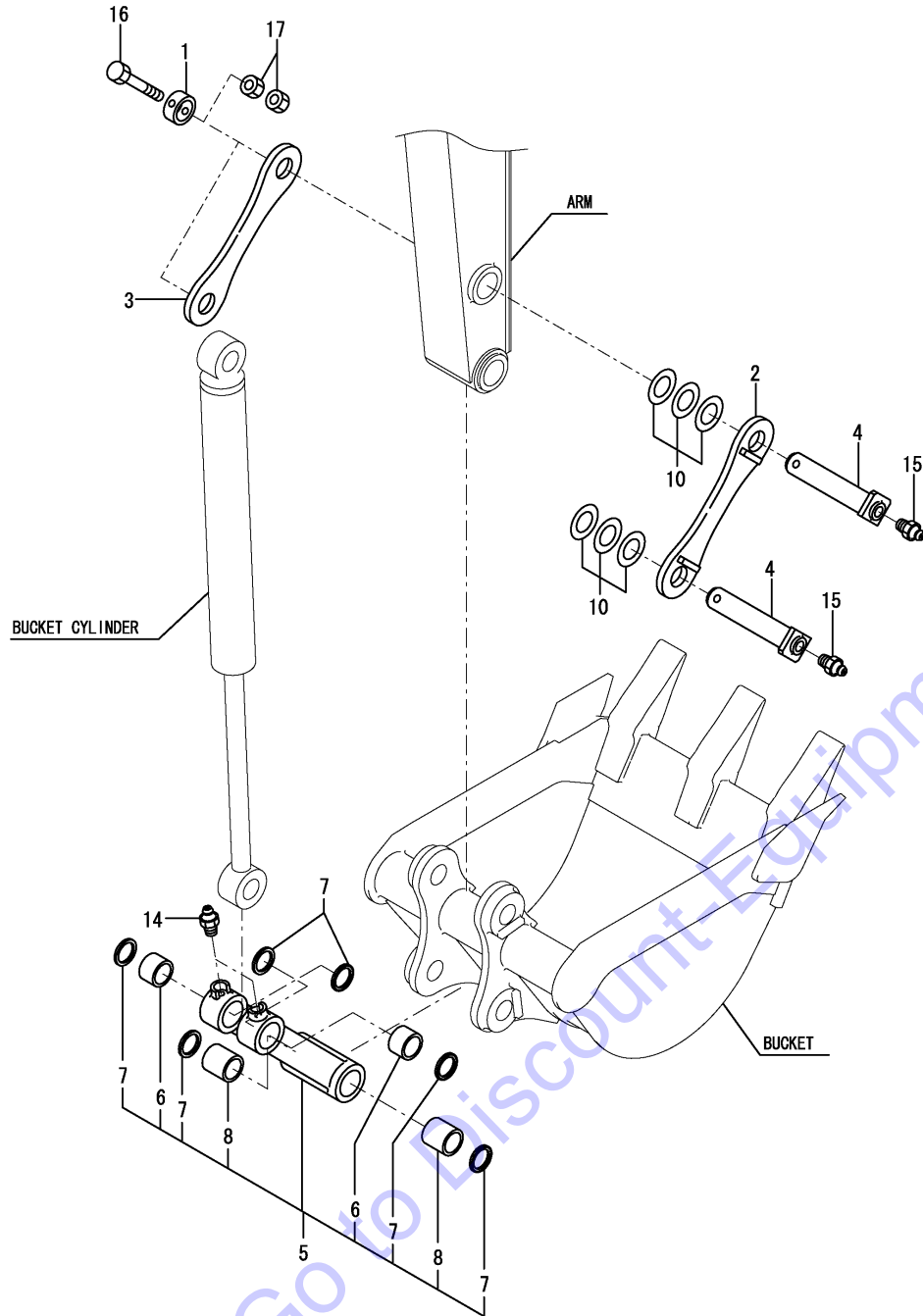
(D)=
 (E)=
 (F)=

No.	Lev.	Parts No.	Description	Q'ty						I	R
				(A)	(B)	(C)	(D)	(E)	(F)		
1	1	172010-01640	SPACER	1	1	1					
2	1	172183-81160	CLIP, TREE	4	4	4					Z
		(A=MXXXXX) (B=MXXXXX) (C=MXXXXX)									
3	1	172171-81270	O-RING, 61X6.0	2	2	2					
4	1	172956-81490-1	ARM ASSY, 950	1	1	1					W 1
		(A=M/#32722) (B=M/#32722) (C=M/#32722)									
4-1	1	172956-81490-3	ARM ASSY, 950	1	1	1					S 1
		(A=M34345) (B=M34345) (C=M34345)									
4-2	1	172956-81490-Y	ARM ASSY, 950	1	1	1					S 1
		(A=M45501) (B=M45501) (C=M45501)									
5	2	172448-72650	SEAL, DUST	2	2	2					
6	2	172448-81610	SEAL, DUST 35X45X4	4	4	4					
7	2	172456-81650	BUSHING 40X50X45	2	2	2					
8	2	172141-82270	BUSH 35 45	4	4	4					
8A	1	172437-03510	LABEL, HOOK	2	2	2					2
8A-1	1	172437-03511	LABEL, HOOK	2	2	2					N 2
		(A=M/#31399) (B=M/#31399) (C=M/#31399)									
8A-2	1	172437-03511	LABEL, HOOK	1	1	1					K 2
		(A=M/#31553) (B=M/#31553) (C=M/#31553)									
8B	1	172472-03230	LABEL, OPERATION	1	1	1					2
8C	1	172472-03260	LABEL, FINGER	1	1	1					2
8C-1	1	172472-03261	LABEL, FINGER	1	1	1					N 2
		(A=M/#31399) (B=M/#31399) (C=M/#31399)									
8D	1	172472-03330	LABEL, LOCK PIN	1	1	1					W 2
		(A=M/#31474) (B=M/#31474) (C=M/#31474)									
9	1	172164-81670	SPACER	1	1	1					
10	1	172456-81770	PIN 40X116 ASSY	1	1	1					
11	1	172456-81810	PIN 35X116 ASSY	1	1	1					
12	1	172165-82580	SHIM	1	1	1					
13	1	172165-82590	SHIM	1	1	1					
14	1	172165-82600	SHIM	1	1	1					
15	1	172141-84601	SHIM	1	1	1					
19	1	22157-100000	WASHER, 10	1	1	1					
20	1	22157-120000	WASHER, 12	1	1	1					
21	1	24761-040000	NIPPLE, GREASE B	1	1	1					
22	1	26013-100252	BOLT, M10X 25	1	1	1					
23	1	26013-120252	BOLT, M12X 25	1	1	1					

Remarks

- (1) Attach the No.8A, 8B, 8C & 8D label to this part.
- (2) Label is not illustrated.

Fig.79. BUCKET ARM & LINK



(A)=VIO20-3(US)
 (B)=VIO20-3(AS)
 (C)=VIO20-3(NZ)

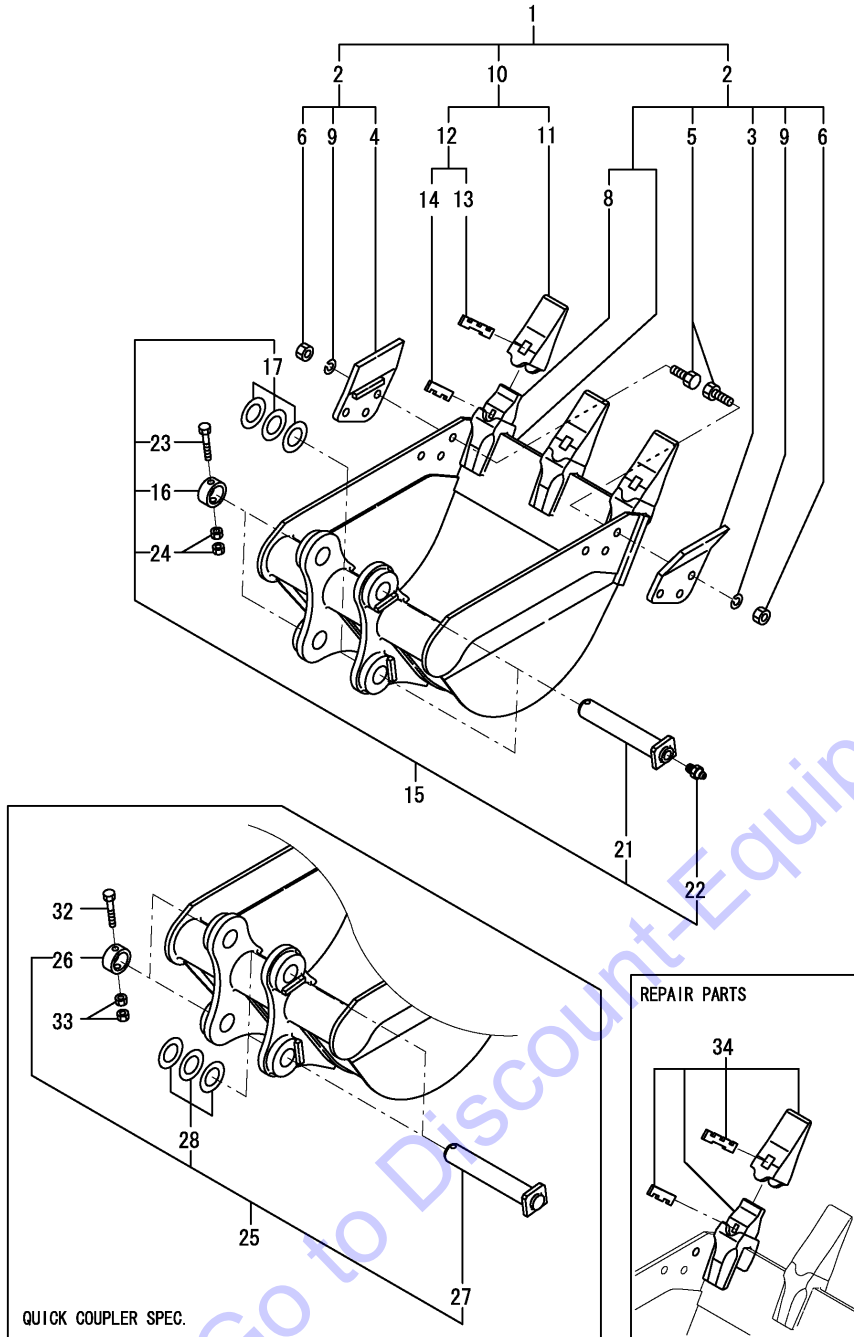
(D)=
 (E)=
 (F)=

No.	Lev.	Parts No.	Description	Q'ty						I	R
				(A)	(B)	(C)	(D)	(E)	(F)		
1	1	172171-81500	COLLAR, 35X48.6X22	2	2	2					
2	1	172456-82701-1	ARM, BUCKET	1	1	1					
2-1	1	172456-82701-3	ARM, BUCKET	1	1	1					S
		(A=M34345) (B=M34345) (C=M34345)									
2-2	1	172456-82701-Y	ARM, BUCKET	1	1	1					S
		(A=M45501) (B=M45501) (C=M45501)									
3	1	172456-82710-1	ARM, BUCKET	1	1	1					
3-1	1	172456-82710-2	ARM, BUCKET	1	1	1					S
		(A=M34345) (B=M34345) (C=M34345)									
3-2	1	172456-82710-Y	ARM, BUCKET	1	1	1					S
		(A=M45501) (B=M45501) (C=M45501)									
4	1	172456-82831	PIN 35X160 ASSY	2	2	2					
5	1	172141-84403-1	LINK ASSY, BUCKET	1	1	1					
5-1	1	172141-84403-3	BUCKETLINK ASSY (2J)	1	1	1					S
		(A=M34345) (B=M34345) (C=M34345)									
5-2	1	172141-84403-Y	BUCKETLINK ASSY	1	1	1					S
		(A=M45501) (B=M45501) (C=M45501)									
6	2	172141-72561	BUSH (35-45-30)	2	2	2					
7	2	172448-81610	SEAL, DUST 35X45X4	6	6	6					
8	2	172141-82270	BUSH 35 45	2	2	2					
10	1	172141-84601	SHIM	2	2	2					
14	1	24761-020000	NIPPLE, GREASE PT1/8	2	2	2					
15	1	24761-020000	NIPPLE, GREASE PT1/8	2	2	2					
16	1	26116-100652	BOLT, M10X 65 PLATED	2	2	2					
17	1	26716-100002	NUT, M10	4	4	4					

Fig.80. BUCKET

(A)=VIO20-3(US)
(B)=VIO20-3(AS)
(C)=VIO20-3(NZ)

(D)=
(E)=
(F)=

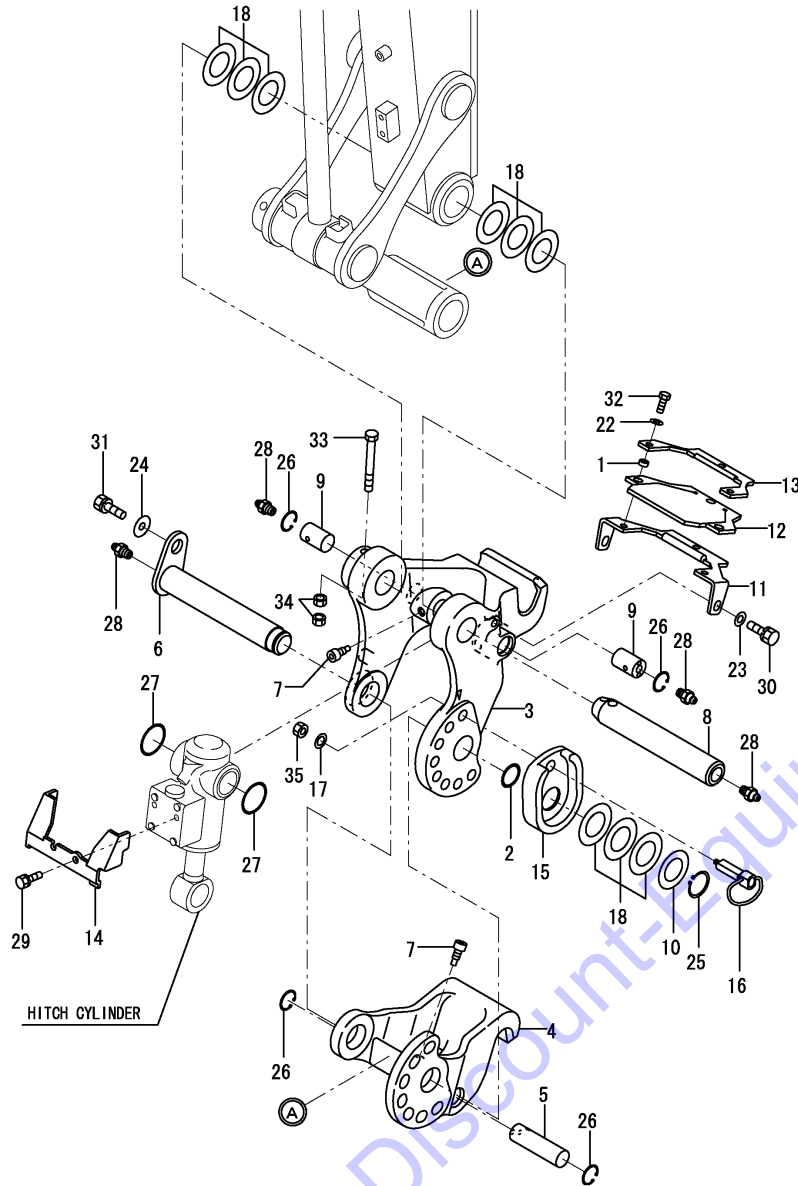


No.	Lev.	Parts No.	Description	Q'ty						I	R
				(A)	(B)	(C)	(D)	(E)	(F)		
1	1	172456-82501-1	BUCKET ASSY, 490S	1	1						
1-1	1	172456-82501-3 (A=M/#32643) (B=M/#32643) (C=M/#32643)	BUCKET ASSY, 490S	1	1						S
1-2	1	172456-82502-2 (A=M45001) (C=M45001)	BUCKET ASSY, 490S	1	1						N
2	2	172456-82690-3 (A=M/#32797) (B=M/#32797) (C=M/#32797)	BUCKET ASSY, 490S	1	1						W
2-1	2	172456-82690-2 (A=M/#32643) (B=M/#32643) (C=M/#32643)	BUCKET ASSY, 490S	1	1						S
2-2	2	172456-82691-2 (A=M45001) (C=M45001)	BUCKET ASSY, 490S	1	1						N
3	3	172458-82240-1	CUTTER, SIDE	1	1						
3-1	3	172458-82240-4 (A=M/#32643) (B=M/#32643) (C=M/#32643)	CUTTER, SIDE	1	1						S
4	3	172458-82260-1	CUTTER, SIDE	1	1						
4-1	3	172458-82260-4 (A=M/#32643) (B=M/#32643) (C=M/#32643)	CUTTER, SIDE	1	1						S
5	3	172458-82280	BOLT	6	6						
6	3	172458-82290	NUT	6	6						
8	4	172448-82530-1	ADAPTER	3	3						
8-1	4	172448-82530-2 (A=M/#32643) (B=M/#32643) (C=M/#32643)	ADAPTER	3	3						S
9	3	22217-140000	WASHER, SPRING 14	6	6						
10	2	172448-82950	TOOTH KIT, POINT	3	3						
10-1	2	172448-82950-3 (A=M/#32643) (B=M/#32643) (C=M/#32643)	TOOTH KIT, POINT	3	3						S
11	3	172448-82570-1	TOOTH, POINT	3	3						
11-1	3	172448-82570-3 (A=M/#32643) (B=M/#32643) (C=M/#32643)	TOOTH, POINT	3	3						S
12	3	172448-82960	PIN ASSY, LOCK	3	3						
13	4	172448-82580	PIN, LOCK	3	3						
14	4	172448-82590	RUBBER, PIN	3	3						
15	1	172456-82900	PIN KIT, BUCKET	2							
16	2	172171-81500	COLLAR, 35X48.6X22	2							
17	2	172141-84601	SHIM	2							
21	2	172141-86252	PIN 35-195	2							
22	2	24761-020000	NIPPLE, GREASE PT1/8	2							
23	2	26116-100652	BOLT, M10X 65 PLATED	2							
24	2	26716-100002	NUT, M10	4							
25	1	172956-81600	PIN KIT, BUCKET (QUICK)	2	2	2					
26	2	172171-81500	COLLAR, 35X48.6X22	2	2	2					
27	2	172956-83120	PIN 35-195 ASSY	2	2	2					
28	2	172141-84601	SHIM	2	2	2					
32	2	26116-100652	BOLT, M10X 65 PLATED	2	2	2					
33	2	26716-100002	NUT, M10	4	4	4					
34	1	772448-82530-1	TOOTH ASSY	3	3						
34-1	1	772448-82530-3 (A=M/#32643) (B=M/#32643) (C=M/#32643)	TOOTH ASSY	3	3						S

Fig.81. QUICK COUPLER(Y SPEC.)

(A)=VIO20-3(US)
(B)=VIO20-3(AS)
(C)=VIO20-3(NZ)

(D)=
(E)=
(F)=



No.	Lev.	Parts No.	Description	Q'ty						I	R
				(A)	(B)	(C)	(D)	(E)	(F)		
1	1	172958-17120	COLLAR	3	3	3					
1-1	1	172958-17121	COLLAR, 9X4	3	3	3					N
		(A=M35124) (B=M35124) (C=M35124)									
2	1	172124-46200	O-RING	1	1	1					
3	1	172956-83102-1	BRACKET	1	1	1					
3-1	1	172956-83102-3	BRACKET,A(2J)	1	1	1					S
		(A=M34345) (B=M34345) (C=M34345)									
3-2	1	172956-83102-Y	BRACKET,A	1	1	1					S
		(A=M45501) (B=M45501) (C=M45501)									
4	1	172956-83112-1	BRACKET	1	1	1					
4-1	1	172956-83112-3	BRACKET,B(2J)	1	1	1					S
		(A=M34345) (B=M34345) (C=M34345)									
4-2	1	172956-83112-Y	BRACKET,B	1	1	1					S
		(A=M45501) (B=M45501) (C=M45501)									
5	1	172958-83130	PIN	1	1	1					
5-1	1	172958-83131	PIN	1	1	1					N
		(A=M35500) (B=M35500) (C=M35500)									
6	1	172956-83140	PIN ASSY 35X213.5	1	1	1					
7	1	172958-83140	BOLT	3	3	3					
8	1	172956-83160	PIN 35X218	1	1	1					
9	1	172956-83200	PIN 25-38	2	2	2					
10	1	172956-83221	COLLAR, 32.5X55X1.2	1	1	1					
11	1	172956-83252-1	GUARD ASSY	1	1	1					
11-1	1	172956-83252-3	GUARD ASSY	1	1	1					S
		(A=M34345) (B=M34345) (C=M34345)									
11-2	1	172956-83252-Y	GUARD ASSY	1	1	1					S
		(A=M45501) (B=M45501) (C=M45501)									
12	1	172956-83281	PLATE, RUBBER	1	1	1					
12-1	1	172956-83282	PLATE, RUBBER	1	1	1					N
		(A=M/#31241) (B=M/#31241) (C=M/#31241)									
13	1	172956-83291-1	PLATE ASSY	1	1	1					
13-1	1	172956-83291-3	PLATE ASSY	1	1	1					S
		(A=M34345) (B=M34345) (C=M34345)									
13-2	1	172956-83291-Y	PLATE ASSY	1	1	1					S
		(A=M45501) (B=M45501) (C=M45501)									
14	1	172958-83292-1	COVER, HITCH	1	1	1					
14-1	1	172958-83292-2	COVER, HITCH	1	1	1					S
		(A=M34345) (B=M34345) (C=M34345)									
14-2	1	172958-83292-N	COVER, HITCH	1	1	1					S
		(A=M45501) (B=M45501) (C=M45501)									
15	1	172956-83350-1	PLATE, LOCK	1	1	1					1
15-1	1	172956-83350-3	PLATE, LOCK(2J)	1	1	1					S 1
		(A=M34345) (B=M34345) (C=M34345)									
15-2	1	172956-83350-Y	PLATE, LOCK	1	1	1					S 1
		(A=M45501) (B=M45501) (C=M45501)									
15A	1	172458-03240	LABEL, LOCK	1	1	1					3
16	1	172956-83361	PIN ASSY, LOCK	1	1	1					2
16-1	1	172956-83362	PIN ASSY, LOCK	1	1	1					N 2
		(A=M/#35241) (B=M/#35241) (C=M/#35241)									
16A	1	172958-03160	LABEL	1	1	1					3
17	1	172956-83381	WASHER, 6.4X14X1.5	1	1	1					

Remarks

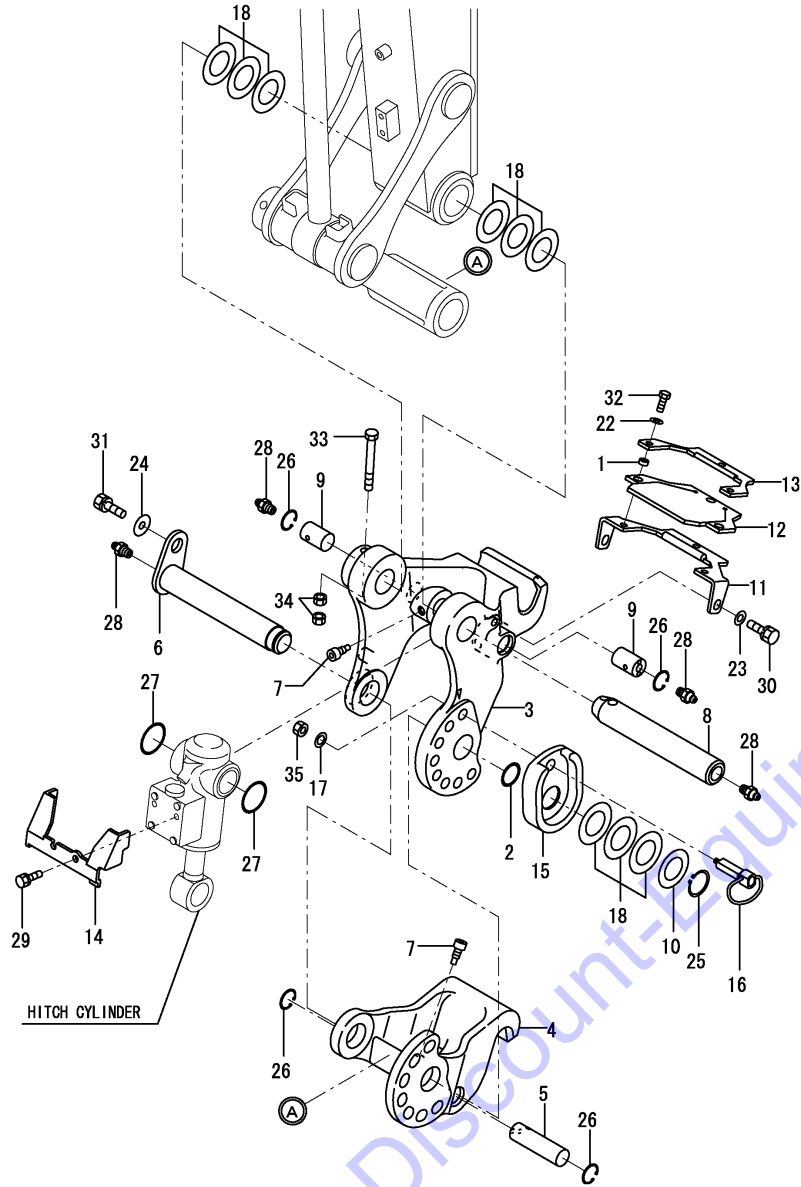
* This figure is applied quick coupler specification made by YANMAR.

- (1) Attach the No.15A label to this part.
- (2) Attach the No.16A label to this part.
- (3) Label is not illustrated.

Fig.81. QUICK COUPLER(Y SPEC.)

(A)=VIO20-3(US)
 (B)=VIO20-3(AS)
 (C)=VIO20-3(NZ)

(D)=
 (E)=
 (F)=



No.	Lev.	Parts No.	Description	Q'ty						I	R
				(A)	(B)	(C)	(D)	(E)	(F)		
18	1	172141-84601	SHIM	3	3	3					
22	1	22137-080000	WASHER, 8	3	3	3					
23	1	22137-100000	WASHER, 10	2	2	2					
24	1	22157-100000	WASHER, 10	1	1	1					
25	1	22242-000320	RING, 32	1	1	1					
26	1	22252-000250	RING, 25	4	4	4					
27	1	24311-000400	O-RING, 1AP40.0	2	2	2					
28	1	24761-020000	NIPPLE, GREASE PT1/8	4	4	4					
29	1	26013-080162	BOLT, M8X 16	2	2	2					
30	1	26013-100202	BOLT, M10X 20	2	2	2					
31	1	26013-100252	BOLT, M10X 25	1	1	1					
32	1	26116-080202	BOLT, M8X 20 PLATED	3	3	3					
32-1	1	26116-080252	BOLT, M8X 25 PLATED	3	3	3					N
		(A=M35241)	(B=M35241)	(C=M35241)							
33	1	26116-100802	BOLT, M10X 80 PLATED	1	1	1					
34	1	26716-100002	NUT, M10	2	2	2					
35	1	26756-060002	NUT, LOCK M6	1	1	1					

Remarks

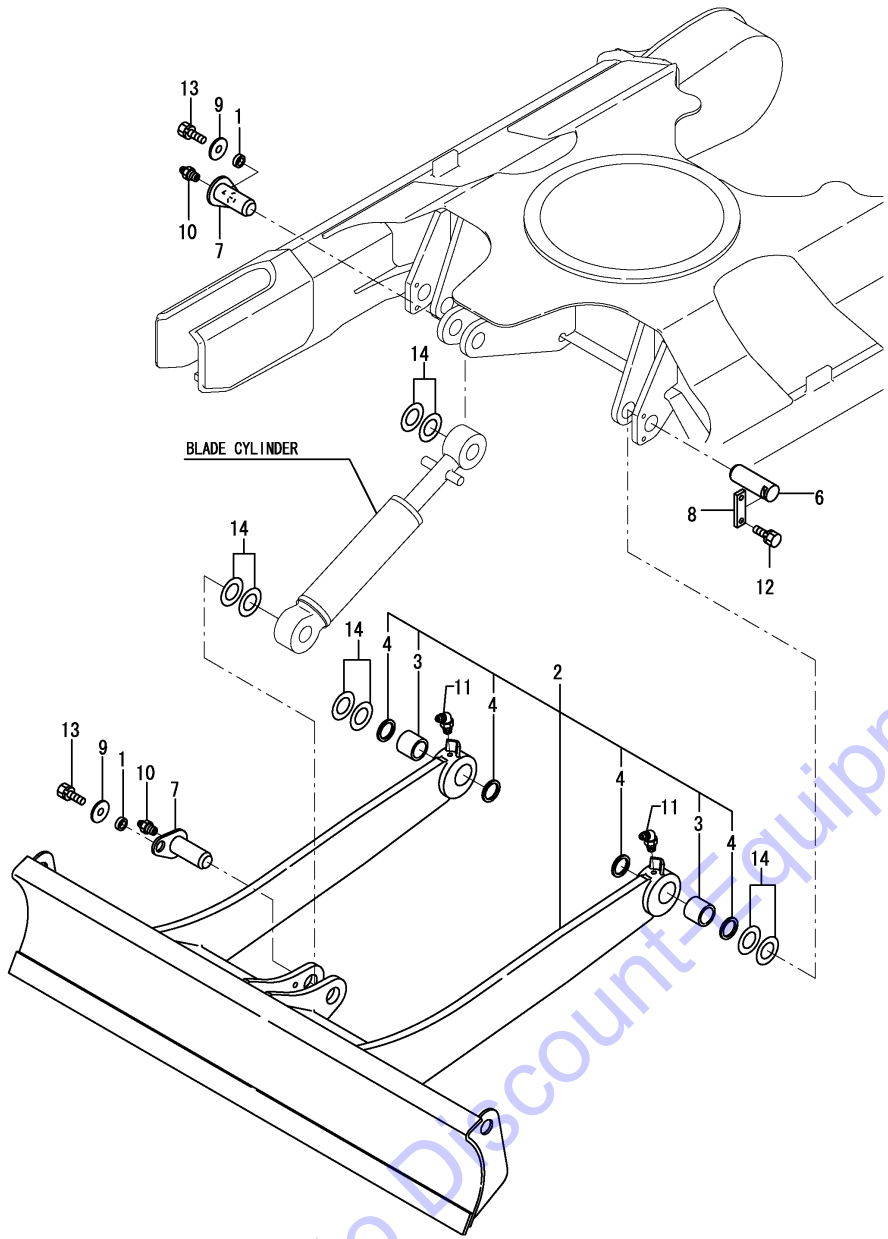
* This figure is applied quick coupler specification made by YANMAR.

- (1) Attach the No.15A label to this part.
- (2) Attach the No.16A label to this part.
- (3) Label is not illustrated.

Fig.82. BLADE

(A)=VIO20-3(US)
 (B)=VIO20-3(AS)
 (C)=VIO20-3(NZ)

(D)=
 (E)=
 (F)=



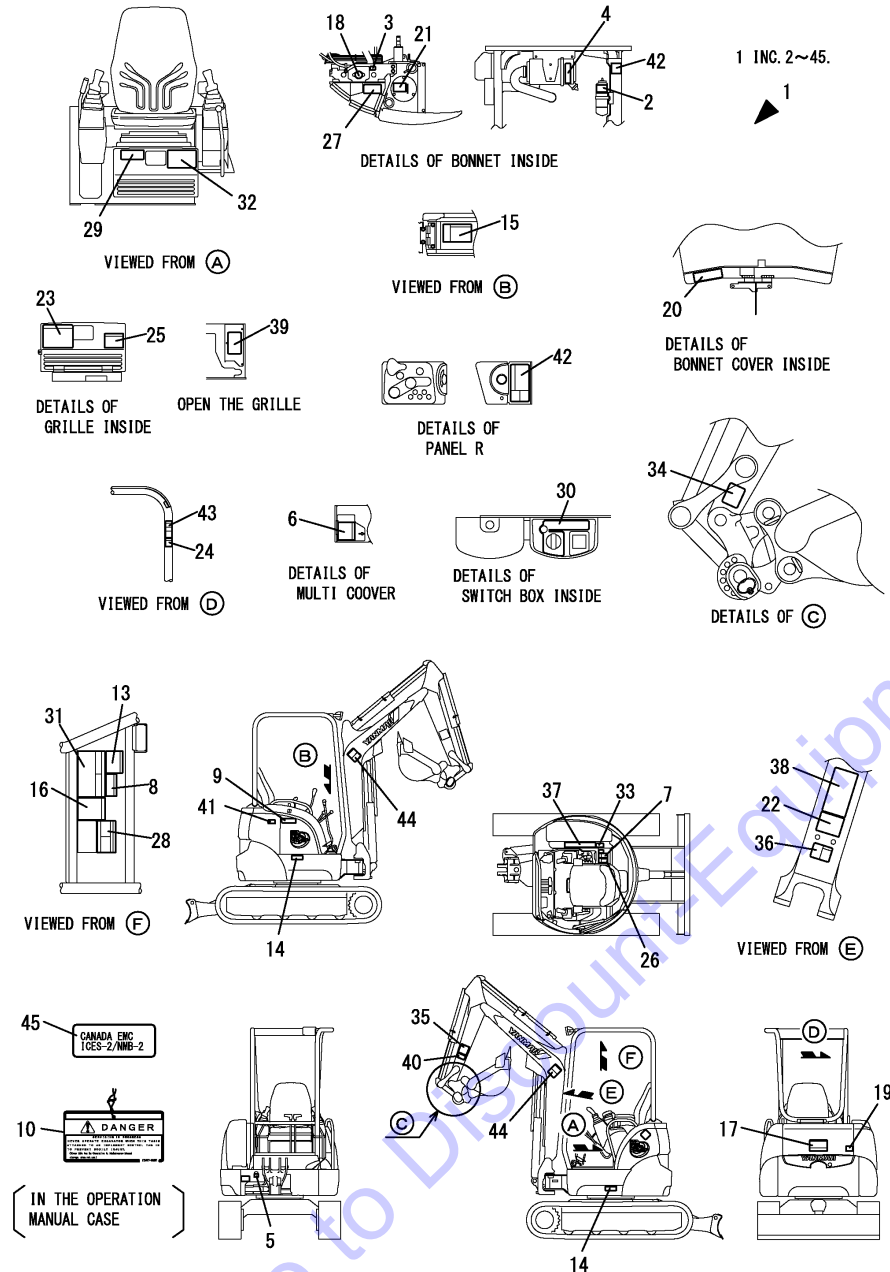
No.	Lev.	Parts No.	Description	Q'ty						I	R
				(A)	(B)	(C)	(D)	(E)	(F)		
1	1	172164-81670	SPACER	2	2	2					
2	1	172A23-94090-1	BLADE ASSY	1	1	1					1
2-1	1	172A23-94090-2	BLADE ASSY	1	1	1					S 1
2-2	1	(A=M/#32643) (B=M/#32643) (C=M/#32643)	BLADE ASSY	1	1	1					N 1
		(A=M34222) (B=M34222) (C=M34222)									
2-3	1	172A23-94092	BLADE ASSY	1	1	1					N
3	2	(A=M45001) (B=M45001) (C=M45001)	BLADE ASSY								
		172168-72240	BUSH	2	2	2					
4	2	172168-81270	SEAL, DUST	4	4	4					
5A	1	172437-03510	LABEL, HOOK	2	2	2					2
5A-1	1	172437-03511	LABEL, HOOK	2	2	2					N 2
6	1	(A=M/#31399) (B=M/#31399) (C=M/#31399)	BLADE ASSY								
		172422-94210	PIN	2	2	2					
7	1	172141-94271-W	PIN 38-94	2	2	2					
8	1	172124-94310-2	PLATE, LOCK	2	2	2					
8-1	1	172124-94310-5	PLATE, LOCK	2	2	2					S
9	1	(A=M/#32643) (B=M/#32643) (C=M/#32643)	BLADE ASSY								
		22157-120000	WASHER, 12	2	2	2					
10	1	24761-020000	NIPPLE, GREASE PT1/8	2	2	2					
11	1	24761-040000	NIPPLE, GREASE B	2	2	2					
12	1	26013-100252	BOLT, M10X 25	4	4	4					
13	1	26013-120302	BOLT, M12X 30	2	2	2					
14	1	933171-29751	SHIM SET	4	4	4					

Remarks
 (1) Attach the No.5A label to this part.
 (2) Label is not illustrated.

Fig.85. LABEL KIT FOR CANADA(OPTIONAL)

(A)=VIO20-3(US)
(B)=VIO20-3(AS)
(C)=VIO20-3(NZ)

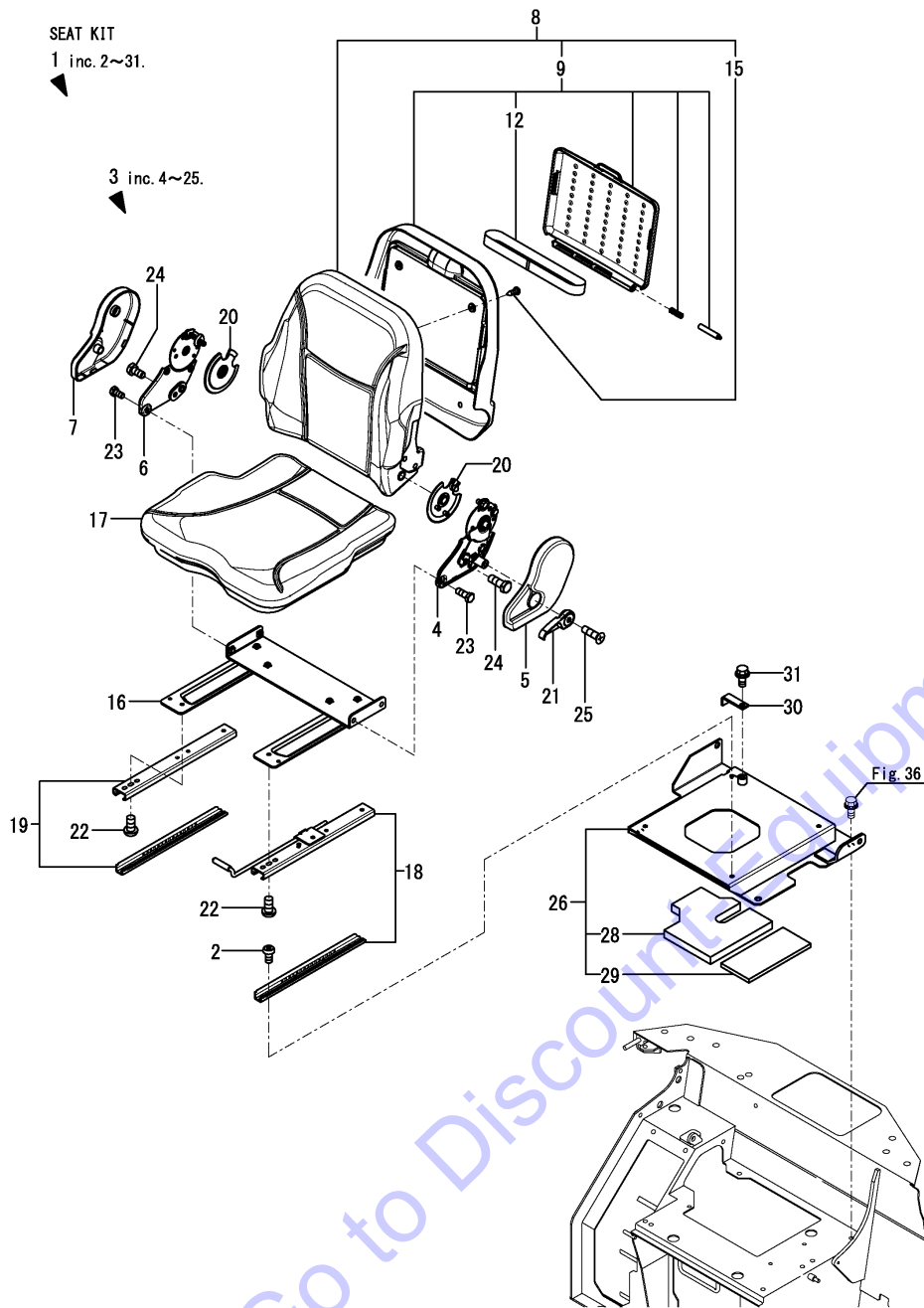
(D)=
(E)=
(F)=



No.	Lev.	Parts No.	Description	Q'ty						I	R
				(A)	(B)	(C)	(D)	(E)	(F)		
1	1	172A36-03020	LABEL KIT(VIO20-3)CA	1							
2	2	172A37-03150	LABEL,SUB-TANK CA	1							
3	2	172A37-03160	LABEL,ANTI-FREEZE CA	1							
4	2	172A37-03180	LABEL J, AIR CLEANER	1							
5	2	172A37-03190	LABEL, GREASE	1							
6	2	172A37-03220	LABEL,ADJUST CRAWLER	1							
7	2	172A37-03231	LABEL,MANUAL CA.	1							
8	2	172A37-03241	LABEL,SLOPE CA.	1							
9	2	172A37-03250	LABEL,RESERVOIR CA	1							
10	2	172469-03261	TAG ASSY, SERVICING	1							
13	2	172A37-03271	LABEL,TRANSPORT CA.	1							
14	2	172A37-03280	LABEL,GREASE CYL CA	2							
15	2	172A37-03290	LABEL,BATTERY CA	1							
16	2	172A37-03300	LABEL,NEWTRAL CA	1							
17	2	172A37-03310	LABEL,SWING AREA CA	1							
17-1	2	172A64-03390	LABEL, SWING AREA CA	1							N
(A=MEF108)											
18	2	172469-03320	LABEL,RADIATOR CAP	1							
19	2	172A37-03330	LABEL,ENGINE COVER	1							
20	2	172A37-03350	LABEL,SILENCER CA	1							
21	2	172469-03360	LABEL,OIL	1							
22	2	172A37-03360	LABEL,STERRING CA	1							
23	2	172469-03370	LABEL,OIL WATER	1							
24	2	172A37-03370	LABEL,ROPS CA	1							
25	2	172469-03400	LABEL,GREASING	1							
26	2	172A37-03400	LABEL,LEVER LOCK CA	1							
27	2	172A37-03410	LABEL,RADIATOR CA	1							
28	2	172A37-03430	LABEL,2 WAY CA	1							
29	2	172A36-03471	LABEL,SPEC	1							
30	2	172469-03480	LABEL,SWITCH	1							
31	2	172A37-03490	LABEL,LIFT Q CA	1							
32	2	172A37-03500	LABEL,SUPPORT CA	1							
33	2	172A37-03520	LABEL,PIN CA	1							
34	2	172A37-03530	LABEL,FINGER CA	1							
35	2	172469-03540	LABEL,OPERATION PIN	1							
36	2	172A37-03540	LABEL,SAND CA	1							
37	2	172469-03550	LABEL,OP HITCH	1							
38	2	172A37-03550	LABEL,WARNING HITCH	1							
39	2	172469-03610	LABEL,FUSE	1							
40	2	172A37-03680	LABEL,LOCK PIN CA	1							
41	2	172469-03710	LABEL,BONNET OPEN	1							
42	2	172A37-03710	LABEL,ENGROOM CA	2							
43	2	172A37-03720	LABEL,SEAT BELT CA	1							
44	2	172A37-03730	LABEL,BOOM CA	2							
45	2	172B03-03230	LABEL,EMC	1							W

(A)**2016.10.)

Fig.98. SEAT KIT(OPTIONAL)(REPAIR PARTS)



(A)=VIO20-3(US)
 (B)=VIO20-3(AS)
 (C)=VIO20-3(NZ)

(D)=
 (E)=
 (F)=

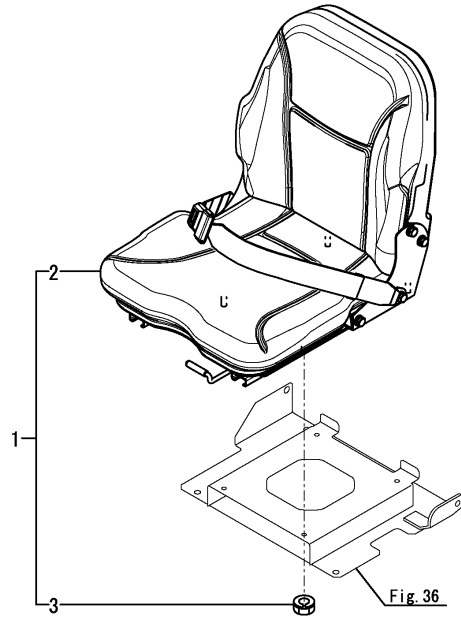
No.	Lev.	Parts No.	Description	Q'ty						I	R
				(A)	(B)	(C)	(D)	(E)	(F)		
1	1	172A36-08800	SEAT KIT,EX WOOCHANG	1	1	1					
2	2	172455-61710	BOLT M 8X 16	4	4	4					
3	2	172A64-64070	SEAT ASSY, RECLINING	1	1	1					
4	3	172A64-64040	HINGE ASSY	1	1	1					
5	3	172A64-64060	COVER	1	1	1					
6	3	172A64-64080	HINGE ASSY	1	1	1					
7	3	172A64-64090	COVER	1	1	1					
8	3	172B02-64210	SEAT ASSY, BACK	1	1	1					
9	4	172B02-64270	BOX ASSY,MANUAL	1	1	1					
12	5	172A89-64950	BAND	1	1	1					
15	4	22859-500200	SCREW, 5.0 X 20	4	4	4					
16	3	172B02-64230	BRACKET ASSY, SEAT	1	1	1					
17	3	172A89-64780	SEAT, CUSHION	1	1	1					
18	3	172A89-64800	RAIL ASSY, TL	1	1	1					
19	3	172A89-64810	RAIL ASSY, TR	1	1	1					
20	3	172A89-64870	COVER	2	2	2					
21	3	172A89-64880	LEVER	1	1	1					
22	3	26106-080252	BOLT, M8X 25 PLATED	4	4	4					
23	3	26106-100162	BOLT, M10X 16 PLATED	6	6	6					
24	3	26106-100252	BOLT, M10X 25 PLATED	2	2	2					
25	3	26559-050202	SCREW, M5X20	1	1	1					
26	2	172A36-64090	PLATE ASSY, SEAT	1	1	1					
28	3	172A23-64882	SPONGE	1	1	1					
29	3	172A23-64930	INSURATOR,SEAT	1	1	1					
30	2	172A36-64450	PLATE, LOCK	1	1	1					
31	2	26014-100202	BOLT, M10X 20	1	1	1					

Go to Discounted Equipment.com for your parts

Fig.99. SEAT KIT(OPTIONAL)

(A)=VIO20-3(US)
 (B)=VIO20-3(AS)
 (C)=VIO20-3(NZ)

(D)=
 (E)=
 (F)=



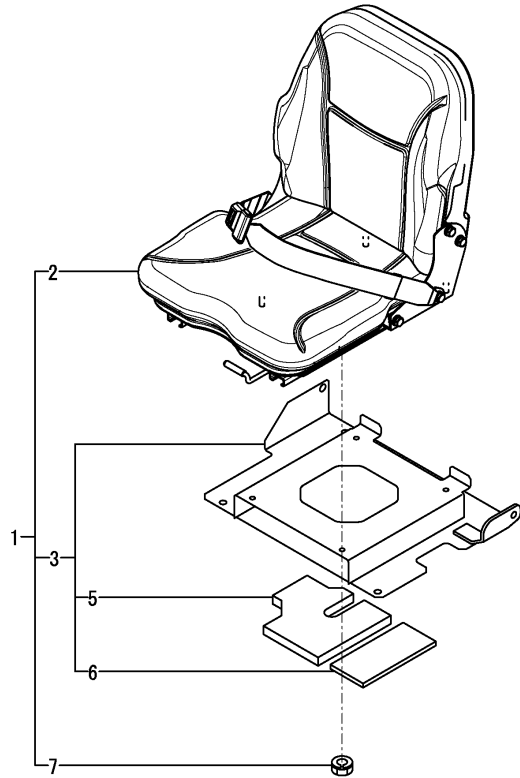
No.	Lev.	Parts No.	Description	Q'ty						I	R
				(A)	(B)	(C)	(D)	(E)	(F)		
1	1	172A23-08610 (A=*2017.11.)	SEAT KIT,WOO SB SP (B=*2017.11.) (C=*2017.11.)	1	1	1					W
2	2	172A23-64100	SEAT ASSY,SEAT BELT	1	1	1					
3	2	26051-080002	NUT, M8	4	4	4					

Go to Discount-Equipment.com to order your parts

Fig.100. SEAT KIT(OPTIONAL)

(A)=VIO20-3(US)
 (B)=VIO20-3(AS)
 (C)=VIO20-3(NZ)

(D)=
 (E)=
 (F)=



No.	Lev.	Parts No.	Description	Q'ty						I	R	
				(A)	(B)	(C)	(D)	(E)	(F)			
1	1	172A36-08600	SEAT KIT,WOO SB SP (A=*2017.11.) (B=*2017.11.) (C=*2017.11.)	1	1	1						W
2	2	172A23-64100	SEAT ASSY,SEAT BELT		1	1	1					
3	2	172A36-64852	PLATE ASSY,SEAT	1	1	1						
5	3	172A23-64882	PAD, SEAT	1	1	1						
6	3	172A23-64930	HEAT INSULATOR, SEAT	1	1	1						
7	2	26051-080002	NUT, M8	4	4	4						

Go to Discount-Equipment.com to order your parts

Parts No. Index

Parts No.	Fig. No.	Ref. No.
101720-55750	10	28
102103-55520	10	23
104200-11920	9	16
104200-55321	10	19
104200-55330	10	20
104200-55341	10	21
104200-55750	10	29
106990-44660	9	28
110250-55610	10	24
114110-07760	1	51
	3	24
	62	28 C
114110-07761	1	51 -1
	3	24 -1
	62	28 C-1
	94	50
119247-77100	13	30
119255-44660	8	22
119650-77910	13	32
119802-77200	13	31
119808-12540	5	12
119813-44510	8	14
121250-49121	8	3
121256-44600	8	21
121257-55720	10	25
121257-55731	10	26
124064-55510	10	22
124450-44550	8	20
124764-44810	1	28
	8	19 A
124764-44920	1	29
	8	5 A
124766-59050	8	23
	9	29
	10	33
124970-77920	13	49
129211-77920	13	33
129335-55700	10	18
129612-52100	10	17
129619-12520	5	11
171081-55910	10	30
172010-01640	77	1
	78	1
172068-28490	22	30
		38
	26	1
172110-36010	17	10
	67	8
172110-45050	22	33
		41

Parts No.	Fig. No.	Ref. No.
172110-76170	71	6 -2
	92	6
172110-76170-1	71	6
172110-76170-3	71	6 -1
172116-76381	65	10
172122-14620	10	10
172122-17190	12	23
		23 -1
172122-37844	18	12
		32
172122-46590	22	24
	24	30
	26	31
172122-70350	50	26
172122-73430	50	38
172122-73470	50	51
172122-73480	50	79
172122-79930	10	34
	63	20
	65	23
	66	45
	69	16
		16 -1
		17
	71	17
	73	29
	92	17
172123-76121	66	2
	68	6
	72	1
	73	1
		2
		3
172124-46200	21	3
	22	16
	24	9
	26	30
	81	2
172124-65480	37	19
172124-94310-2	82	8
172124-94310-5	82	8 -1
172125-03950	1	27
	5	12 A
172125-03951	1	27 -1
	3	25
	5	12 A-1
	94	48
172126-11510	5	5 -1B
		6 -1B
	8	31

Parts No.	Fig. No.	Ref. No.
172126-11510	8	31 -1
	10	16 -1
	12	1
		1 -1
	13	54
	65	17
	73	14
172126-16540	10	15
	11	21
172137-12270	6	4
172137-16560	10	16
	12	19
	64	12
172137-37850	18	15
		35
172137-46040	44	1
	45	1
	46	1
172137-46210	15	10
172137-69850	34	16
172137-70490	51	10
172137-70570	51	11
172137-70580	51	12
172137-72453	46	14
172137-73860	52	5
172137-76580	71	7
	92	7
172141-03360	1	20
172141-37140	18	6
		26
172141-41340	22	1
172141-41360	20	5
	24	5
	25	5
172141-41370	21	6
	22	3
		6
	24	2
	26	22
		25
172141-50762-2	30	1
172141-50762-3	30	1 -1
172141-50763-1	30	1 -2
172141-57650	29	12
		12 -1
172141-70110	50	21
172141-70150	50	23
172141-70160	50	24
172141-70450	50	16
172141-71520	41	66

Parts No.	Fig. No.	Ref. No.
172141-71520	42	84
172141-71550	41	67
		132
	42	85
		129
172141-71560	41	68
	42	86
172141-72250	43	26
	45	12
	46	13
	47	12
172141-72420	43	30
	47	16
	48	13
172141-72540	46	25
172141-72561	45	21
		26
	46	19
		23
	79	6
172141-73220	41	69
	42	87
172141-73230	41	70
	42	88
172141-73770	62	4
172141-74430	41	39
		118
	42	57
		118
172141-76180	64	6
	65	3
		5
	66	10
	68	9
	71	3
	73	4
		11
172141-76181	64	6 -1
	65	3 -1
		5 -1
	66	10 -1
	68	9 -1
	71	3 -1
		3 -2
	73	4 -1
		11 -1
	92	3
172141-76220	66	18
172141-76920	64	3 -2
	65	11

Parts No. Index

Parts No.	Fig. No.	Ref. No.
172141-77260	51	36
172141-77400	51	51
172141-77800	74	2
172141-82270	77	8
	78	8
	79	8
172141-84403-1	79	5
172141-84403-3	79	5 -1
172141-84403-Y	79	5 -2
172141-84601	77	15
	78	15
	79	10
	80	17
		28
	81	18
172141-86252	80	21
172141-94271-W	82	7
172142-62300	31	13
172142-62301	31	13 -1
172142-72560	44	25
172142-73800	52	7
172142-74590	41	89
172142-74600	41	92
172142-74650	41	90
172142-74660	41	93
172142-74670	41	99
	42	96
172142-76181	63	3
		5
	65	7
	69	2
172142-76270	70	4
172142-76950	70	16
172142-76950-6	70	16 -1
172142-76950-Y	70	16 -2
172142-77040	70	5
172143-72400	47	13
	48	10
172146-41320	31	1
172146-61370	31	8
172146-73730	62	5
172146-82910	76	14
172147-70120	50	22
172147-70220	50	3
172147-70500	50	25 -1
172147-76260	65	9
172147-76271	66	19
172148-70301	50	14
		25
172148-72941	44	26

Parts No.	Fig. No.	Ref. No.
172148-73350	51	13
172148-73870	52	9
172149-66550	40	2
		2 -1
172151-77801	74	3
172156-11150	33	8
172156-65690	38	32
172156-72400	49	2
172156-81430	8	30
172156-84440	49	7
172157-03740	1	26
	28	20 A
172157-03741	1	26 -1
	28	20 A-1
172157-13381	8	8
172157-45840	14	7
172157-45990	24	22
	26	7
172157-58830	59	3
172162-12480	25	1
172162-14200	9	5
172162-46690	21	9
172162-62540	35	5
		10 A
		11 A
172162-70780	50	17
172162-76131	64	5
	65	1
	67	3
172162-76180	66	12
		14
172162-76181	66	12 -1
		14 -1
		2 -2
172164-45970	23	3
172164-61250	31	4
	39	10
172164-62431	47	26 -1
	91	21
172164-66170	37	20
	38	9
172164-66480	36	21
	39	5
	96	12
172164-66800	31	11
	39	6
172164-73030	41	79
172164-73040	41	80
172164-73380	41	36
	42	54

Parts No.	Fig. No.	Ref. No.
172164-73390	41	37
	42	55
172164-73470	41	33
	42	51
172164-73490	41	81
172164-73500	41	82
172164-73510	41	38
	42	56
172164-73670	41	29
	42	47
172164-76131	66	3
172164-76330	66	20
172164-81670	76	7
	77	9
	78	9
	82	1
		6 1 A
172165-12140	20	16
172165-45970	24	23
172165-46340	26	9
172165-47550	21	12
172165-47980	21	15
172165-47990	21	16
172165-53480	28	13
172165-53500	28	14
		14 -1
		24
		28 -1
172165-65460	33	11
172165-66980	35	18
172165-71200	41	3
	42	3
	83	3
	84	3
172165-72310	47	21
172165-74740	41	95
172165-78412	66	32
172165-79810	73	28
172165-82520	75	8
172165-82530	75	9
172165-82550	75	10
172165-82560	75	11
172165-82570	75	12
172165-82580	75	13
		14
	76	11
	77	12
	78	12
172165-82590	75	15
		16

Parts No.	Fig. No.	Ref. No.
172165-82590	76	12
	77	13
	78	13
172165-82600	75	17
		18
		76
		77
		78
		14
172168-65750	62	8
172168-71101	83	1
	84	1
172168-71101-3	41	1
	42	1
172168-71101-4	41	1 -1
	42	1 -1
172168-71500	41	56
	42	74
172168-71510	41	57
		121
	42	75
		121
172168-71520	41	58
	42	76
172168-71530	41	59
	42	77
172168-71950	50	18
172168-71951	50	18 -1
172168-72020	48	2
172168-72240	48	16
		20
		82
		3
172168-72390	43	20
172168-72400	76	2
172168-72410	43	17
		21
		22
172168-73580	51	17
172168-73590	51	19
172168-73600	51	21
172168-81270	48	17
		21
		82
		4
172168-81410	76	4
172171-14610	10	5
172171-54750	28	22
172171-65850	31	10
172171-72130	44	12
172171-81270	77	3
	78	3

Parts No. Index

Parts No.	Fig. No.	Ref. No.
172171-81500	79	1
	80	16
		26
172173-29100-1	17	1
172173-29100-2	17	1 -1
172173-37500-2	17	11
172173-37500-3	17	11 -1
172173-38200	19	7
		18
172173-38210	19	8
		19
172173-38220	19	10
		21
172173-38300	19	11
		22
172173-61190-2	30	7
172173-61190-3	30	7 -1
172173-61191-1	30	7 -2
172173-72330	44	17
172173-72352	44	24
172173-72550	45	23
172173-73510	51	14
172173-73520	51	15
172173-73570	51	16
172173-73580	51	18
172173-73590	51	20
172173-73600	51	22
172173-73690	51	23
172173-73700	51	24
172173-76101	64	3
	68	3
172173-76102	64	3 -1
	68	3 -1
172175-17120	12	11
172175-64810	39	11
172175-72550	48	14
172175-73700	62	2
172175-73710	62	3
172175-76640-1	70	12
172175-76640-2	70	12 -1
172175-76640-Y	70	12 -2
172175-76750-1	70	15 -1
172175-76750-5	70	15
172175-76750-Y	70	15 -2
172176-68210	36	14 -1
	64	13
	76	5 -1
		5 -2
	96	19
172179-13211	7	8

Parts No.	Fig. No.	Ref. No.
172179-73130	41	20
	42	38
172179-73190	41	21
	42	39
172179-73220	41	14
	42	14
172179-73250	41	17
	42	35
172179-73270	41	23
	42	41
172179-73280	41	24
		116
	42	42
		116
172179-73400	41	41
	42	59
172179-73430	41	42
	42	60
172179-73460	41	43
	42	61
172179-73510	41	60
	42	78
172179-73540	41	61
		122
	42	79
		122
172183-03280	1	10
	94	17
172183-14250	9	13
172183-37510	17	12
172183-37520	17	13
172183-57620	29	10
172183-57630	29	11
172183-65560	33	6
172183-73510	50	42
172183-73520	50	43
172183-73560	50	44
172183-73570	50	45
172183-73660	50	46
172183-73670	50	77
172183-73780	50	78
172183-74820	67	1
172183-74820-5	70	1
172183-74821	70	1 -1
172183-74821-3	70	1 -2
172183-74821-4	67	1 -1
172183-74822	67	1 -2
172183-74822-3	70	1 -3
172183-74822-Y	70	1 -4
172183-75410	62	13

Parts No.	Fig. No.	Ref. No.
172183-76200	73	6
172183-76250-1	70	10
172183-76250-2	70	10 -1
172183-76250-Y	70	10 -2
		27
172183-81160	77	2
	78	2
172183-81170	76	5
172186-13810	10	1
172186-72480	43	32
	87	32
172186-77100	74	1
172187-16560	13	1
172187-17070	13	3
172187-17080	13	4
172187-17090	13	5
172187-17100	13	2
172187-17101	13	2 -1
172187-17220	12	12
172187-17280	13	10
		44
172187-17320	13	12
172187-17341	13	14
172187-17350	13	15
172187-17360	13	16
172187-17371	13	17
172187-17380	13	18
172187-17470	13	22
172187-17480	13	23
172187-17540	16	3
172187-17560	13	25
		45
172187-17570	13	26
		46
172187-17760	13	44 -1
172187-45651	24	20
	26	4
172187-45760	24	21
	26	5
172187-45870	22	8
172187-45880	22	9
172187-61421	36	4
172187-64800	36	17
	96	18
172187-64831	36	36
172187-64900	15	12
172187-65210	37	16
172187-75860	41	105
	42	102
172187-75870	41	106

Parts No.	Fig. No.	Ref. No.
172187-75870	42	103
172187-75880	41	107
		130
	42	104
		125
172187-75910	41	108
	42	105
172187-75920	41	109
	42	106
172187-76210	72	2
172187-76211	66	14 -2
	72	2 -1
172187-76690-Y	70	10 -3
172312-17260	64	1
172312-74790	50	80
172421-37701	18	36
172421-37702	18	36 -1
172421-37703	18	36 -2
172421-37851	18	16
172421-37852	18	16 -1
172421-37853	18	16 -2
172421-38110	19	2
		13
172421-38601	19	23
172421-72610-1	48	15 -1
172421-72610-2	48	15 -2
172421-72620	48	18 -1
172421-72700-1	48	1
172421-72700-2	48	1 -1
172421-72770	48	22
172421-73350	50	29
172421-73400	50	49
172421-76100	68	5
172421-78120	68	15
172421-78131	68	16
172422-72790-2	48	24 -1
172422-72790-3	48	24
172422-72791-5	48	24 -2
172422-73140	83	10
	84	10
172422-73160	83	17
	84	17
172422-73170	83	19
		61
	84	19
		65
172422-73200	83	21
	84	21
172422-73220	83	22
	84	22

Parts No. Index

Parts No.	Fig. No.	Ref. No.
172422-73280	83	23
	84	23
172422-73290	83	24
	84	24
172422-73500	83	25
	84	25
172422-73510	83	26
	62	
	84	26
	66	
172422-73520	83	27
	84	44
172422-73530	83	28
	84	45
172422-73540	83	29
	84	46
172422-73550	83	30
	39	
	84	28
	47	
172422-73560	83	31
	84	48
172422-73570	83	32
	63	
	84	49
	67	
172422-73580	83	34
	84	51
172422-73590	83	36
	84	53
172422-73610	83	37
	84	54
172422-73620	83	40
	84	29
172422-73630	83	41
	84	30
172422-73640	83	43
	84	32
172422-73650	83	45
	84	34
172422-73660	83	46
	84	35
172422-73670	83	47
	84	36
172422-73700	83	60
	84	64
172422-76100	63	2
172422-76130	65	2
172422-76140	66	5
172422-76180	67	4

Parts No.	Fig. No.	Ref. No.
172422-78200	65	20
172422-78210	64	11
172422-94210	82	6
172423-78940	64	10 -1
172433-64511	36	34
172434-61190	38	21
172437-03241	1	49
	31	11 A
172437-03242	1	49 -1
	31	11 A-1
	94	13
172437-03250	1	30
	3	3
172437-03251	1	30 -1
	3	3 -1
172437-03252	1	30 -2
	3	3 -2
	94	15
172437-03300	1	31
	3	4
	36	9 C
172437-03301	1	31 -1
	3	4 -1
	36	9 C-1
172437-03302	1	31 -2
	3	4 -2
	36	9 C-2
	94	19
	96	12 C
172437-03310	1	32
	3	5
	40	1 C
172437-03311	1	32 -1
	3	5 -1
	40	1 C-1
172437-03312	1	32 -2
	3	5 -2
	40	1 C-2
	94	21
172437-03321	1	33
	3	6
	62	28 B
172437-03322	1	33 -1
	3	6 -1
	62	28 B-1
	94	22
172437-03341	1	34
	3	7
	40	1 D
172437-03342	1	34 -1

Parts No.	Fig. No.	Ref. No.
172437-03342	3	7 -1
	40	1 D-1
172437-03343	1	34 -2
	3	7 -2
	40	1 D-2
	94	25
172437-03351	1	35
	3	8
	30	11 A
		13 A
172437-03352	1	35 -1
	3	8 -1
	30	11 A-1
		13 A-1
	94	26
172437-03360	1	36
	3	9
	38	19 B
172437-03361	1	36 -1
	3	9 -1
	38	19 B-1
	94	27
172437-03371	1	37
	3	10
	40	1 E
172437-03372	1	37 -1
	3	10 -1
	40	1 E-1
	94	28
172437-03380	1	38
	3	11
	37	13 D
172437-03381	1	38 -1
	3	11 -1
	37	13 D-1
	94	29
172437-03390	1	39
	3	12
	39	7 A
172437-03391	1	39 -1
	3	12 -1
	39	7 A-1
	94	30
172437-03401	1	40
	3	13
	37	13 E
172437-03402	1	40 -1
	3	13 -1
	37	13 E-1
	94	31

Parts No.	Fig. No.	Ref. No.
172437-03411	1	41
	3	14
	28	25 A
172437-03421	1	42
	3	15
	37	13 F
172437-03422	1	42 -1
	3	15 -1
	37	13 F-1
	94	33
172437-03431	1	43
	3	16
	76	4 B
172437-03432	1	43 -1
	3	16 -1
	76	4 B-1
	94	34
172437-03440	1	44
	3	17
	40	1 F
172437-03441	1	44 -1
	3	17 -1
	40	1 F-1
	94	35
172437-03450	1	45
	3	18
	40	1 G
172437-03451	1	45 -1
	3	18 -1
	40	1 G-1
	94	36
172437-03460	1	46
	3	19
	76	4 C
172437-03461	1	46 -1
	3	19 -1
	76	4 C-1
	94	37
172437-03470	1	47
	3	20
	36	9 D
172437-03471	1	47 -1
	3	20 -1
	36	9 D-1
	94	38
	96	12 D
172437-03500	1	21
	38	19 A
172437-03501	1	21 -1
	38	19 A-1

Parts No. Index

Parts No.	Fig. No.	Ref. No.
172437-03501	94	40
172437-03510	1	22
	77	8 A
	78	8 A
	82	5 A
172437-03511	1	22 -1
		22 -2
	77	8 A-1
		8 A-2
	78	8 A-1
		8 A-2
	82	5 A-1
	94	41
172437-03530	1	23
	36	9 B
	96	12 B
172437-03600	1	48
	3	21
	40	1 H
172437-03601	1	48 -1
	3	21 -1
	40	1 H-1
	94	42
172437-03610	1	24
	59	19 A
	94	43
172437-03620	1	25
	59	19 B
	94	44
172437-74711	59	5
172437-74720	59	6
172437-74732	59	7
172438-03300	1	17
	34	6 A
	94	20
172441-44320	35	15
172441-74030	60	2
		12
172441-74040	60	3
		13
172441-74050	60	14
172444-13210	8	1
172444-14130	9	23
	11	13
172444-14200	9	6
172444-14260	9	17
172444-14270	9	18
172444-14410	9	27
172444-14450	9	7
172444-14460	9	8

Parts No.	Fig. No.	Ref. No.
172444-14470	9	9
172444-14480	9	10
172444-14490	9	11
172444-16110	11	1
172444-54910	39	11 -1
172444-64730	37	5
172444-73802	52	1
172444-73803	52	1 -1
		1 -2
172444-73810	52	2
172444-73831	52	3
172444-73840	52	4
172444-73880	52	6
172444-76150	66	6
172444-82990	76	15
172446-13330	61	3
172446-75250	62	11
172447-14160	9	4
172447-17140	12	6
172447-73840	52	8 -1
172447-74221	56	12
172447-74230	56	13
		15
172447-75600	62	15
172448-45800-1	26	6
172448-45800-3	26	6 -1
172448-54120	28	21
172448-72650	43	18
		22
	44	16
		23
	47	18
		22
	77	5
	78	5
172448-73180	83	20
	84	20
172448-73190	83	9
	84	9
172448-81610	45	22
		27
	46	20
		24
	77	6
	78	6
	79	7
172448-82530-1	80	8
172448-82530-2	80	8 -1
172448-82570-1	80	11
172448-82570-3	80	11 -1

Parts No.	Fig. No.	Ref. No.
172448-82580	80	13
172448-82590	80	14
172448-82950	80	10
172448-82950-3	80	10 -1
172448-82960	80	12
172449-72321	45	13
172449-72410	45	16
172450-73110	83	7
	84	7
172450-73120	83	12
	84	12
172450-73130	83	13
	84	13
172450-73330	50	28
172450-73510	50	64
172450-73550	50	75
172450-73551	50	75 -1
172450-73620	50	4
172450-73621	50	4 -1
172455-46890	21	10
172455-46950	21	11
172455-61710	96	2
	98	2
172455-63660	39	4 -1
172455-64200	36	1
172455-64590	36	3 A
		3 A-1
172455-64600	36	2
172455-64610	36	3
172455-64710	36	3 B
		3 B-1
172455-65230	38	2
172455-75290	62	16
172455-75300	62	17
172455-75330	62	12
172455-76220	72	4
172455-79770	69	13
		15
172456-08600	36	38
172456-08600-N	36	38 -1
		38 -2
172456-11500	5	7
172456-11510	5	8
172456-11590	5	9
172456-11600	5	10
172456-13120	7	5
172456-13140	7	6
172456-13150	7	7
172456-13310	8	6 C
172456-14151	9	3

Parts No.	Fig. No.	Ref. No.
172456-14152	9	3 -1
172456-14300	9	19
172456-14330	9	21
172456-14340-1	9	22
172456-14340-2	9	22 -1
172456-14341-1	9	22 -2
172456-14610	10	6
172456-14630	10	11
172456-16100	11	12
172456-16101	11	12 -1
172456-16200	11	3
172456-16210	11	6
172456-16530	12	17
172456-16531	12	17 -1
172456-17400-1	16	1
172456-17400-2	16	1 -1
172456-17401-2	16	1 -2
172456-17401-Y	16	1 -3
172456-37100-1	18	3
172456-37100-2	18	3 -1
172456-37110-1	18	23
172456-37110-2	18	23 -1
172456-37120	18	4
		24
172456-37121	18	4 -1
		24 -1
172456-37130	18	5
		25
172456-37140	18	7
		27
172456-37141	18	7 -1
		27 -1
172456-37320	17	5
172456-37500-1	17	15
172456-37500-2	17	15 -1
172456-37801	18	11
		31
172456-38100-1	19	1
172456-38100-2	19	1 -1
172456-38110-1	19	9
172456-38110-2	19	9 -1
172456-38120-1	19	12
172456-38120-2	19	12 -1
172456-38130-1	19	20
172456-38130-2	19	20 -1
172456-38300-1	19	24
172456-38300-2	19	24 -1
172456-38310-1	19	29
172456-38310-2	19	29 -1
172456-45160	24	28

Parts No. Index

Parts No.	Fig. No.	Ref. No.
172456-50102-1	29	1
172456-50103-1	29	1 -2
172456-50103-2	29	1 -1
172456-50104-1	29	1 -3
172456-50105	29	1 -4
172456-50800-1	29	5
172456-50800-2	29	5 -1
172456-50830-1	29	6
172456-50830-2	29	6 -1
172456-53700	28	15
172456-57600	29	9
172456-57601	29	9 -1
172456-61100-1	30	2
172456-61100-2	30	2 -1
172456-61110-1	30	3
172456-61110-2	30	3 -1
172456-61130-1	30	5
172456-61130-2	30	5 -1
172456-61151	31	2
172456-61152	31	2 -1
172456-61152-1	31	2 -2
172456-61153-1	31	2 -3
172456-61270-1	30	13
172456-61270-2	30	13 -1
172456-61310	30	11
172456-61340	31	5
172456-61350	31	6
172456-61360	31	7
172456-61400-1	33	1
172456-61400-3	33	1 -1
172456-61400-Y	33	1 -2
172456-61480	33	3
172456-61490	33	4
172456-61500	33	5
172456-61691	33	7
172456-61691-N	33	7 -1
172456-61963-1	32	1
172456-61963-2	32	1 -1
172456-61964-2	32	1 -2
172456-61964-Y	32	1 -3
172456-62100-1	34	1
172456-62100-2	34	1 -1
172456-62200	34	3
172456-64640	31	14
172456-64710	36	8
	96	10
172456-65150	37	14
172456-65150-1	37	14 -1
172456-65171	37	15
172456-65302-1	38	20

Parts No.	Fig. No.	Ref. No.
172456-65302-3	38	20 -1
172456-65302-Y	38	20 -2
172456-65441	38	26
172456-65450	38	27
172456-65461	38	28
172456-65511-1	38	4
172456-65511-2	38	4 -1
172456-65511-3	38	4 -2
172456-65520	38	29
172456-65790	39	3
172456-65860	39	4
172456-65890	38	24
172456-72010	43	5
172456-72020	44	6
172456-72031	45	7
172456-72050	47	2
172456-72190	43	23
	47	11
172456-72200	87	29
172456-72200-1	43	1
172456-72200-2	43	1 -1
172456-72200-N	43	1 -2
172456-72250-1	43	16 -1
172456-72250-3	43	16 -2
172456-72250-N	43	16 -3
172456-72260	43	19 -1
172456-72580	45	28
172456-72700-1	47	1
172456-72700-2	47	1 -1
		1 -2
172456-72790-1	47	24
172456-72790-2	47	24 -1
	91	20
172456-72830	47	26
172456-72850-1	47	17 -1
172456-72850-2	47	17 -2
172456-72860	47	20 -1
172456-73070	41	112
	42	109
172456-73100	41	5
172456-73110	41	6
	42	6
172456-73120	41	7
	42	7
172456-73130	41	8
	42	8
172456-73140	41	9
		113
	42	9
		110

Parts No.	Fig. No.	Ref. No.
172456-73150	41	10
		114
	42	10
		111
172456-73160	41	11
	42	11
172456-73170	41	12
	42	12
172456-73180	41	13
	42	13
172456-73280	41	22
	42	40
172456-73290	41	25
	42	43
172456-73300	50	1
172456-73301	50	1 -1
172456-73302	50	1 -2
172456-73303	50	1 -3
172456-73310	51	1
172456-73311	51	1 -1
172456-73320	50	89
172456-73330	50	52
172456-73331	50	52 -1
172456-73340	50	20
172456-73350	50	30
172456-73351	50	30 -1
172456-73360	50	31
172456-73370	50	32
172456-73380	50	33
172456-73390	50	34
172456-73400	50	35
172456-73410	50	36
172456-73420	50	37
172456-73430	50	39
172456-73440	50	40
172456-73450	50	41
172456-73460	50	50
172456-73461	50	50 -1
172456-73500	50	63
172456-73510	50	65
172456-73520	50	66
172456-73540	50	67
172456-73570	50	76
172456-73580	41	83
	42	18
172456-73590	41	84
	42	19
172456-73600	41	27
	42	45
172456-73610	41	28

Parts No.	Fig. No.	Ref. No.
172456-73610	41	117
	42	46
		117
172456-73650	41	40
	42	58
172456-73660	41	44
	42	62
172456-73670	41	45
	42	63
172456-73680	41	46
	42	64
172456-73690	41	47
	42	65
172456-73700	41	48
	42	66
172456-73710	41	49
	42	67
172456-73720	41	50
	42	68
172456-73730	41	51
	42	69
172456-73740	41	55
	42	73
172456-73750	41	62
	42	80
172456-73770	41	63
	42	81
172456-73790	41	65
	42	83
172456-73800	41	71
	42	89
172456-73810	41	72
	42	90
172456-73840	41	73
	42	91
172456-73850	41	74
	42	92
172456-73860	41	78
172456-73870	42	20
172456-73880	41	85
	42	21
172456-73890	42	22
172456-73900	41	86
	42	23
172456-73910	42	24
172456-73920	42	25
172456-73930	41	87
		125
	42	26
		112

Parts No. Index

Parts No.	Fig. No.	Ref. No.
172456-73940	42	27
172456-73950	42	28
172456-73960	41	88
		126
	42	29
		113
172456-73970	42	30
172456-73980	50	33 -1
172456-74101	53	1
172456-74102	53	1 -1
172456-74110	58	1
172456-74120	58	2
172456-74130	57	2
172456-74140	57	3
172456-74150	56	2
172456-74160	56	4
172456-74170	55	1
172456-74180	55	5
172456-74190	54	1
172456-74230	54	5
172456-74240	54	15
172456-74250	54	20
172456-74260	53	3
172456-74270	57	16
172456-74280	53	17
	54	25
172456-74290	56	16
172456-74310	57	1
172456-74320	56	1
172456-74330	56	14
172456-74350	55	14
172456-74370	54	14
172456-74390	53	16
172456-74400	55	15
172456-74410	53	6
172456-74420	53	7
172456-74430	53	2
172456-74440	53	15
172456-74450	57	18 -1
172456-74460	57	17 -1
172456-75430	41	100
	42	97
172456-75440	41	101
	42	98
172456-75450	41	102
	42	99
172456-75460	41	103
	42	100
172456-75480	41	104
	42	101

Parts No.	Fig. No.	Ref. No.
172456-76250	70	2
172456-76260	70	3
172456-76600-1	70	11
172456-76600-2	70	11 -1
172456-76600-Y	70	11 -2
172456-76601-Y	70	11 -3
172456-76650-1	70	13
172456-76650-2	70	13 -1
172456-76650-Y	70	13 -2
172456-76651-Y	70	13 -3
172456-76700	70	6
172456-76800-2	67	9
172456-76800-3	67	9 -1
172456-76801	67	9 -2
172456-76880-2	67	10
172456-76880-3	67	10 -1
172456-77100	51	2
172456-77101	51	2 -1
172456-77110	51	3
172456-77130	51	7
172456-77140	51	9
172456-77150	51	25
172456-77160	51	26
172456-77170	51	27
172456-77180	51	28
172456-77190	51	29
172456-77200	51	30
172456-77210	51	31
172456-77220	51	32
172456-77230	51	33
172456-77240	51	34
172456-77250	51	35
172456-77270	51	37
172456-77280	51	38
172456-77290	51	39
172456-78120	63	18
172456-78140	64	10
172456-78150	65	18
172456-78160	66	26
172456-78161	66	26 -1
172456-78170	65	19
172456-78180	69	8
172456-78190	69	9
172456-78191	69	9 -1
172456-78200	65	21
172456-78210	65	22
172456-78220	69	10
172456-78230	69	11
172456-78241	69	12
172456-78251	69	14

Parts No.	Fig. No.	Ref. No.
172456-78260	66	27
172456-78270	66	28
172456-78291	68	17
172456-78301	68	18
172456-78312	68	19
172456-78910	70	25
172456-78970	67	16
172456-81450	76	6
172456-81490-1	77	4
172456-81490-3	77	4 -1
172456-81491-2	77	4 -2
172456-81491-Y	77	4 -3
172456-81650	77	7
	78	7
172456-81710	76	8
172456-81740	76	9
172456-81770	77	10
	78	10
172456-81810	77	11
	78	11
172456-81900	75	1
172456-82300-1	75	3
172456-82300-2	75	3 -1
172456-82300-Y	75	3 -2
172456-82330	75	4
172456-82340	75	5
172456-82360	75	6
172456-82361	75	6 -1
172456-82400-2	75	7
172456-82400-3	75	7 -1
172456-82501-1	80	1
172456-82501-3	80	1 -1
172456-82502-2	80	1 -2
172456-82690-2	80	2 -1
172456-82690-3	80	2
172456-82691-2	80	2 -2
172456-82701-1	79	2
172456-82701-3	79	2 -1
172456-82701-Y	79	2 -2
172456-82710-1	79	3
172456-82710-2	79	3 -1
172456-82710-Y	79	3 -2
172456-82831	79	4
172456-82900	80	15
172457-72050	46	7
172457-72190	43	24
172457-72200	43	25
172457-72230-1	43	2
172457-72230-2	43	2 -1
172457-72230-N	43	2 -2

Parts No.	Fig. No.	Ref. No.
172457-72230-N	87	30
172457-72240-1	43	3
172457-72240-2	43	3 -1
172457-72240-N	43	3 -2
	87	31
172457-74190	57	4
172458-03160	1	5
	37	13 C
172458-03220	1	13
	35	6 A
	94	12
172458-03240	1	14
	2	5
	26	6 A
	81	15 A
	94	14
172458-11552	37	3
172458-12100	6	1
172458-12101	6	10
172458-12150	6	11
172458-12170	6	12
172458-12180	6	13
172458-12200	6	14
172458-14202	9	12
172458-14203	9	12 -1
172458-14340	9	25
172458-14370	9	26
172458-16110	11	2
172458-16140	11	4
172458-16300	11	16
172458-16550	12	5
172458-16561	12	20
172458-16562	12	20 -1
172458-17400	16	5
172458-17410	16	7 -1
172458-17410-1	16	7
172458-17410-4	16	7 -2
172458-17420	16	6
172458-17450	16	2
172458-17501	13	8
172458-45180	24	1
172458-45180-1	24	1 -1
172458-45200	24	4
172458-45200-1	24	4 -1
172458-45230	24	7
	26	20
172458-45230-1	24	7 -1
	26	20 -1
172458-45250	22	23
172458-45510	20	2

Parts No. Index

Parts No.	Fig. No.	Ref. No.
172458-45510-1	20	2 -1
172458-45521	24	18
172458-45521-1	24	18 -1
172458-45540	24	19
	26	3
172458-45540-1	24	19 -1
	26	3 -1
172458-45720	23	2
172458-45720-1	23	2 -1
172458-45800	23	9
172458-45850	21	2
172458-45920	25	4
172458-45920-1	25	4 -1
172458-45950	25	7
172458-46150	26	29
172458-46150-1	26	29 -1
172458-46720	13	27
	35	1
		2
		3
		4
172458-46950	20	17
172458-47640	21	14
172458-47680	20	18
172458-47680-1	20	18 -1
172458-47681	20	18 -2
172458-47710	20	19
172458-50480-1	29	2
172458-50480-2	29	2 -1
172458-53330	28	6
172458-53370	28	5
172458-61110-1	30	4
172458-61110-2	30	4 -1
172458-61150-2	30	6
172458-61150-3	30	6 -1
172458-61261	30	12
172458-61300	31	12
172458-61500	38	22
172458-62110	34	2
172458-62110-1	34	2 -1
172458-62430	34	14
172458-62900	35	6 -1
172458-62920	35	7 -1
172458-62930	35	8 -1
172458-62940	35	9 -1
172458-63100	35	6
172458-63120	35	7
172458-63130	35	8
172458-63140	35	9
172458-64140	33	10

Parts No.	Fig. No.	Ref. No.
172458-64590	36	13
172458-64600	36	14
172458-64610	33	18
172458-65050	37	6
172458-65060	37	7
172458-65070	37	9
172458-65080	37	10
172458-65271	37	17
172458-65540	38	6
172458-65560	38	7
172458-65600	38	30
172458-65610	38	31
172458-65640	38	8
172458-72740	47	19
172458-73570	83	33
	84	50
172458-73580	83	35
	84	52
172458-73620	83	38
172458-73621	83	38 -1
172458-73630	83	42
	84	31
172458-73640	83	44
	84	33
172458-73660	83	51
	84	55
172458-73680	83	38 A
	84	37
172458-73690	83	38 B
	84	38
172458-73790	84	39
172458-73820	52	8
172458-74110	58	12
172458-74120	58	13
172458-74130	54	2
	55	2
	56	18
	57	19
	58	14
172458-74140	54	3
	55	3
	56	19
	57	20
	58	15
172458-74150	53	19
	54	16
	56	3
		20
	57	21
	58	3

Parts No.	Fig. No.	Ref. No.
172458-74150	58	16
172458-74160	53	20
	54	17
	56	5
		21
	57	22
	58	4
		17
172458-74170	54	4
	55	4
	56	28
	57	23
	58	18
172458-74230	53	21
	54	18
	55	17
	56	6
	57	5
	58	5
172458-74240	53	22
	54	19
	55	18
	56	7
	57	6
	58	6
172458-74250	53	23
	54	21
	56	8
	57	7
	58	7
172458-74260	53	24
	54	22
	55	19
	56	9
	57	8
	58	8
172458-74290	53	4
	54	6
	55	6
	57	9
172458-74360	53	5
	54	7
	55	7
	57	10
172458-74380	57	18
172458-74390	57	24
172458-74420	56	17
172458-74430	56	22
172458-74460	54	8
	55	8

Parts No.	Fig. No.	Ref. No.	
172458-74520	55	16	
172458-74530	55	20	
172458-74540	55	21	
172458-74550	55	22	
172458-74610	53	18	
172458-74620	53	25	
172458-74630	53	26	
	54	23	
	56	10	
		23	
		57	25
		58	9
			19
172458-74640	53	8	
	54	9	
	55	9	
	57	11	
172458-74650	53	9	
	57	26	
172458-74660	57	12	
172458-74670	57	13	
172458-74700	58	24	
172458-74720	53	28	
	54	26	
	55	23	
	56	29	
	57	33	
	58	25	
172458-74730	53	29	
172458-74740	57	32	
172458-74750	58	11	
172458-74780	57	17	
172458-75070	62	9	
172458-76150	66	7	
172458-76680-1	70	14	
172458-76680-2	70	14 -1	
172458-76680-Y	70	14 -2	
172458-78091	63	16	
172458-78290	66	29	
172458-78300	66	30	
172458-78310	66	31	
172458-78530	66	33	
172458-78540	66	34	
172458-81751-1	76	10	
172458-81751-2	76	10 -1	
172458-81751-Y	76	10 -2	
172458-81920	75	2	
172458-82240-1	80	3	
172458-82240-4	80	3 -1	
172458-82260-1	80	4	

Parts No. Index

Parts No.	Fig. No.	Ref. No.
172458-82260-4	80	4 -1
172458-82280	80	5
172458-82290	80	6
172460-13230	8	6 A
172460-13240	8	6 B
172460-16700	12	22
172460-72070	43	13
	47	8
	48	7
172460-75410-1	62	14
172460-75410-5	62	14 -1
172460-75410-Y	62	14 -2
172462-03320	1	18
	94	23
172462-46230	26	8
172463-03290	1	16
	62	29 A
	94	18
172463-03330	1	19
	38	24 A
	94	24
172463-61600	30	15
172463-65410	38	25
172463-74511	60	1
172463-74521	60	11
172463-74530	60	4
		15
172463-74540	60	5
		16
172463-74551	60	6
		17
172463-74561	60	7
		18
172463-74570	60	8
		19
172463-74580	60	10
172463-74590	60	9
172469-03121	1	2
	33	6 A
	62	28 A
172469-03131	1	3
	3	1
	40	1 A
172469-03132	1	3 -1
	3	1 -1
	40	1 A-1
	94	51
172469-03140	1	4
	36	12 A
	94	3

Parts No.	Fig. No.	Ref. No.
172469-03140	96	16 A
172469-03152	2	2
	4	1
	40	1 I
172469-03153	2	2 -1
	4	1 -1
	40	1 I-1
172469-03154	2	2 -2
	4	1 -2
	40	1 I-2
172469-03261	85	10
172469-03320	85	18
172469-03360	85	21
172469-03370	85	23
172469-03400	85	25
172469-03480	85	30
172469-03540	85	35
172469-03550	85	37
172469-03610	85	39
172469-03710	85	41
172469-12110	6	2
172469-12111	6	2 -1
172469-45100	22	2
172469-45100-1	22	2 -1
172469-45140	22	5
172469-45140-1	22	5 -1
172469-45360	26	27
172469-62210	34	4
172469-62210-2	34	4 -1
172469-62310	34	6
172469-62500	34	15
172469-64700	36	16
172469-64700-N	36	16 -1
	96	17
172469-65490	38	1
172469-65500	38	3
172469-66300	40	1
172469-66300-1	40	1 -1
172469-66300-N	40	1 -2
172469-72400-1	43	4
172469-72400-2	43	4 -1
172469-72400-N	43	4 -2
		4 -3
172469-72410	43	27
172469-76110	66	1
	67	2
172469-78100	73	15
172469-78110	73	16
172469-78120	73	17
172469-78130	73	18

Parts No.	Fig. No.	Ref. No.
172469-78140	73	19
172469-78150	73	20
172469-78170	73	22
172469-78180	72	6
172469-78190	72	7
172469-78200	72	8
172469-78210	73	23
172469-78220	73	24
172469-78230	73	25
172469-78240	73	26
172469-78510	70	21
172469-78520	70	22
172469-78530	70	23
172469-78540	70	24
172469-78550	67	13
172469-78560	67	14
172469-78570	67	15
172472-03140	1	9
	3	2
	36	12 D
172472-03141	1	9 -1
	3	2 -1
	36	12 D-1
	94	4
	96	16 D
172472-03160	1	6
	36	12 B
	94	6
	96	16 B
172472-03171	1	11
	36	9 A
	94	7
	96	12 A
172472-03230	2	4
	78	8 B
172472-03240	2	6
	4	2
	33	11 A
172472-03241	2	6 -1
	4	2 -1
	33	11 A-1
172472-03250	2	7
	33	11 B
172472-03260	2	8
	4	3
	78	8 C
172472-03261	2	8 -1
	4	3 -1
	78	8 C-1
172472-03270	2	9

Parts No.	Fig. No.	Ref. No.
172472-03270	4	4
	76	4 D
172472-03271	2	9 -1
	4	4 -1
	76	4 D-1
172472-03280	2	10
	4	5
	76	4 E
172472-03281	2	10 -1
	4	5 -1
	76	4 E-1
172472-03290	2	11
	15	1 A
172472-03300	2	12
	15	1 B
172472-03330	2	13
	4	6
	78	8 D
172472-17200	14	1
172472-17200-Y	14	1 -1
172472-17250	14	2
172472-17260	14	3
172472-17400	14	5
172472-17400-1	14	5 -1
172472-17401-1	14	5 -2
172472-17401-Y	14	5 -3
172472-17470	14	6
172472-17470-1	14	6 -1
172472-17470-Y	14	6 -2
172472-45300	26	21
172472-45300-1	26	21 -1
172472-45330	26	24
172472-45400	20	1
172472-45400-1	20	1 -1
172472-45401	20	1 -2
172472-45500	26	2
172472-45500-1	26	2 -1
172472-45600	22	20
172472-45600-1	22	20 -1
172472-45601	22	29
172472-45601-1	22	29 -1
172472-45620	22	21
172472-45620-1	22	21 -1
172472-45621	22	37
172472-45621-1	22	37 -1
172472-45661	22	15
172472-45700	23	1
172472-45700-1	23	1 -1
172472-45720	22	31
172472-45730	22	39

Parts No. Index

Parts No.	Fig. No.	Ref. No.
172472-45810	22	32
172472-45810-1	22	32 -1
172472-45850	22	40
172472-45850-1	22	40 -1
172472-46210	20	3
172472-46220	21	4
172472-46600	21	5
172472-47620	21	13
172472-47620-1	21	13 -1
172472-47621	21	13 -2
172472-63150	35	10 -1
172472-63160	35	11 -1
172472-63210	35	10
		10 B
172472-63220	35	11
		11 B
172472-63550	35	10 -2
172472-63560	35	11 -2
172472-63610	35	10 B-1
172472-63620	35	11 B-1
172472-64531-1	35	16
172472-64532-1	35	16 -2
172472-64532-2	35	16 -1
172472-64541-1	35	17
172472-64542-1	35	17 -2
172472-64542-2	35	17 -1
172472-64600	21	17
172472-74200	59	1
172472-78160	73	21
172472-78800	73	27
172478-65750	37	35
172480-13520	39	9
172480-75260	39	7
172482-13300	8	6
172487-11350	5	1
172487-11400	5	2
172487-12220	6	3
172487-13090	7	2
172487-13091	7	2 -1
172487-13100	7	3
172487-13101	7	3 -1
172487-14520	10	10 -2
172487-37050-1	17	3 -2
		3 -3
		3 -1
172487-37050-2	17	3 -1
172487-45600	27	1
172487-45600-1	27	1 -1
172487-45900	25	3
172487-45900-1	25	3 -1
172487-53300-1	28	1

Parts No.	Fig. No.	Ref. No.
172487-53300-2	28	1 -1
172487-53320	28	3
172487-53330	28	4
172487-53350-1	28	7
172487-53350-2	28	7 -1
172487-53370	28	9
172487-53400-1	28	10
172487-53400-2	28	10 -1
172487-53420	28	12
172487-61240	30	10
172487-63500	13	55
	35	21
172487-64780	33	6 -1
172487-65100-1	37	8
172487-65101-1	37	8 -1
172487-65101-2	37	8 -2
172487-65110	37	12
172487-65111	37	12 -1
172487-65120	37	13
172487-65121	37	13 -1
172487-65130	37	13 A
172487-65140	37	13 B
172487-65160	5	16
172487-65520	38	5
172487-74200	27	3
172487-76410	63	9
172490-03200	1	12
	40	1 B
	94	9
172490-13160	61	1
172490-74310	57	21 -1
172490-74320	57	22 -1
172490-74330	57	25 -1
172490-76150	66	9
172496-03250	1	15
	94	16
172498-12250	6	19
172511-17351	14	4
172519-63240	13	27 -1
	29	29
	29	29 -1
	35	12
		13
		14
		14 -1
172524-03271	1	7
	76	4 A
172524-17330	13	7 -1
172527-17101	13	2 -2
172638-73330	50	19

Parts No.	Fig. No.	Ref. No.
172644-76161	63	7 -2
	68	7
172648-16600	12	7
172650-73450	41	26
	42	44
172652-64220	36	33
172725-16160	11	15
172730-05250	29	4
	33	13
172730-75141	63	1
	64	2
	68	1
	69	2
	69	1
172734-14620	8	13
172734-41300	24	27
	26	18
172734-65270	37	18
172823-45000	26	19
172823-45940	24	29
172956-72560	46	28
172956-72800-1	49	1
172956-72800-3	49	1 -1
172956-72800-N	49	1 -2
172956-72810-1	49	3
172956-72810-3	49	3 -1
172956-72810-N	49	3 -2
172956-72860	49	8
172956-72880	49	5
172956-72890	49	11
172956-72900	49	12
172956-72910	49	17
172956-72920	49	6 -1
172956-73100	42	5
172956-73110	42	16
172956-73121	42	17
172956-76100-1	71	5
172956-76100-3	71	5 -1
172956-76100-Y	71	5 -2
	92	5
172956-78100	71	12
	92	12
172956-78110	71	13
	92	13
172956-78120	71	15
	92	15
172956-81490-1	78	4
172956-81490-3	78	4 -1
172956-81490-Y	78	4 -2
172956-81600	80	25

Parts No.	Fig. No.	Ref. No.
172956-81901-1	71	8
172956-81901-3	71	8 -1
172956-81901-Y	71	8 -2
	92	8
172956-83102-1	81	3
172956-83102-3	81	3 -1
172956-83102-Y	81	3 -2
172956-83112-1	81	4
172956-83112-3	81	4 -1
172956-83112-Y	81	4 -2
172956-83120	80	27
172956-83140	81	6
172956-83160	81	8
172956-83200	81	9
172956-83221	81	10
172956-83252-1	81	11
172956-83252-3	81	11 -1
172956-83252-Y	81	11 -2
172956-83281	81	12
172956-83282	81	12 -1
172956-83291-1	81	13
172956-83291-3	81	13 -1
172956-83291-Y	81	13 -2
172956-83350-1	81	15
172956-83350-3	81	15 -1
172956-83350-Y	81	15 -2
172956-83361	81	16
172956-83362	81	16 -1
172956-83381	81	17
172957-78111	71	14
	92	14
172957-78150	69	7
172958-03160	2	3
	81	16 A
172958-17101	15	1 C
172958-17102	15	1 C-1
172958-17110	15	1
172958-17111	15	1 -1
172958-17120	81	1
172958-17121	81	1 -1
172958-17140	15	4
172958-17150	15	5
172958-17160	15	6
172958-17170	15	7
	7	7 -1
172958-17180	15	8
		8 -1
172958-17190	15	8 A
172958-17200	15	8 B
172958-17210	15	8 C

Parts No. Index

Parts No.	Fig. No.	Ref. No.
172958-17220	15	8 E
172958-17230	15	8 C-1
172958-17400	15	1 C-2
172958-17410	15	1 -2
172958-64500	15	11
172958-64600	15	11 -1
172958-72950	49	20
172958-72960	49	21
172958-72982-1	49	22
172958-72982-2	49	22 -1
172958-72983	49	22 -2
172958-72983-N	49	22 -3
172958-73510	84	27
172958-73511	84	27 -1
172958-76130	71	1
		18
	92	1
172958-78200	71	16
	92	16
172958-83130	81	5
172958-83131	81	5 -1
172958-83140	81	7
172958-83292-1	81	14
172958-83292-2	81	14 -1
172958-83292-N	81	14 -2
172989-73150	41	84 -1
	42	19 -1
172989-73160	41	83 -1
	42	18 -1
172A21-61600	12	40
	30	15 -1
	36	13 -1
	38	25 -1
	96	1
172A23-03120	1	2 -1
	33	6 A-1
	62	28 A-1
172A23-03140	94	5
172A23-03470	33	6 A-2
	62	28 A-2
	94	39
172A23-03790	37	13 C-1
	94	46
172A23-08450	37	8 -3
172A23-08451	37	8 -4
172A23-08610	99	1
172A23-11470	5	5 -1
172A23-11480	5	6 -1
172A23-11490	5	5
		5 -1A

Parts No.	Fig. No.	Ref. No.
172A23-11500	5	6
		6 -1A
172A23-11600	5	5 -1C
		6 -1C
172A23-13120	7	4
172A23-13121	7	4 -1
172A23-13210	61	2
172A23-13310	8	7
172A23-13320	8	5
172A23-13411	8	9
172A23-13460	8	10
172A23-13510	8	11
172A23-13520	8	12
172A23-13530	8	32
172A23-14100	10	10 -1
172A23-14200	12	2
172A23-16500	12	3
172A23-16540	12	18
172A23-16600	12	21
172A23-37300	93	1
172A23-37320	93	3
172A23-37750	18	15 -1
		35 -1
172A23-46840	20	7
172A23-46850	20	8
172A23-53250	28	18 -1
172A23-53260	28	28
172A23-53270	28	29
172A23-53280	28	30
172A23-54100-1	28	19
172A23-54100-2	28	19 -1
172A23-54101	28	19 -2
172A23-54102	28	19 -3
172A23-54103	28	19 -4
172A23-57650	29	13
172A23-61200-1	30	8
172A23-61200-2	30	8 -1
172A23-64100	99	2
	100	2
172A23-64460	36	10
172A23-64461	36	10 -1
172A23-64461-N	36	10 -2
	96	14
172A23-64500	36	12
172A23-64501	36	12 -1
	96	16
172A23-64700	36	7
	96	9
172A23-64720	36	9
	96	11

Parts No.	Fig. No.	Ref. No.
172A23-64770	36	35
172A23-64880	36	20
172A23-64881	36	20 -1
172A23-64882	36	20 -2
	96	5
	98	28
	100	5
172A23-64930	36	20 A
	96	6
	98	29
	100	6
172A23-65490	38	1 -1
172A23-65500	38	3 -1
172A23-65600	37	8 B
172A23-65700	39	1
172A23-65700-1	39	1 -1
172A23-65750-2	39	8
172A23-65750-3	39	8 -1
172A23-67210	28	25
172A23-67210-1	28	25 -1
172A23-67211-1	28	25 -2
172A23-70120	87	3
		25
	88	3
		5
	91	5
172A23-70130	87	2
172A23-70140	87	4
172A23-70150	87	5
172A23-70160	87	6
172A23-70210	87	7
	91	7
172A23-70220	87	8
172A23-70230	87	9
172A23-70240	87	10
	88	11
172A23-70250	87	12
172A23-70260	87	13
172A23-70270	87	14
172A23-70290	87	15
	89	2
	90	2
172A23-70300	87	16
	89	3
	90	3
172A23-70310	87	17
	89	4
	90	4
172A23-70320	87	18
	89	5

Parts No.	Fig. No.	Ref. No.
172A23-70320	90	5
172A23-70330	87	21
172A23-70340	87	22
172A23-70400	87	1
172A23-70401	87	1 -1
172A23-70410	87	24
172A23-70411	87	24 -1
172A23-70420	87	26
172A23-70500	88	1
172A23-70510	88	2
172A23-70520	88	4
172A23-70530	88	6
172A23-70540	88	7
172A23-70550	88	8
	89	13
	90	16
172A23-70560	88	9
	89	14
	90	17
172A23-70570	88	10
172A23-70580	88	12
172A23-70590	88	14
172A23-70600	88	15
172A23-70610	88	16
172A23-70620	88	17
172A23-70630	88	20
172A23-70640	88	21
172A23-70650	88	22
172A23-70700	89	1
172A23-70710	89	8
172A23-70720	89	9
		11
	90	12
		14
172A23-70730	89	10
172A23-70740	89	12
172A23-70750	89	15
172A23-70780	89	16
172A23-70790	89	17
172A23-70800	89	18
	90	20
172A23-70810	89	20
	90	8
172A23-70820	89	21
	90	9
172A23-70830	89	22
	90	10
172A23-70840	89	23
172A23-70850	89	24
172A23-70860	89	25

Parts No. Index

Parts No.	Fig. No.	Ref. No.
172A23-71100	90	1
172A23-71110	90	11
172A23-71120	90	13
172A23-71130	90	15
172A23-71140	90	18
172A23-71170	90	19
172A23-71180	90	21
172A23-71190	90	23
172A23-71200	90	24
172A23-71210	90	25
172A23-71400	91	1
172A23-71410	91	2
172A23-71420	91	3
172A23-71430	91	4
172A23-71440	91	6
172A23-71450	91	8
172A23-71460	91	9
172A23-71470	91	10
172A23-71480	91	11
172A23-71490	91	14
172A23-71500	91	15
172A23-71510	91	16
172A23-72020	44	32 -1
		32 -2
	45	31 -1
		31 -2
	46	32 -1
		32 -2
172A23-72041	44	2
	45	2
	46	2
172A23-72042	44	2 -1
		2 -2
	45	2 -1
		2 -2
	46	2 -1
172A23-72043	44	38
	45	41
	46	2 -2
	88	25
	89	27
	90	27
172A23-72050	44	3
	45	3
	46	3
172A23-72051	44	3 -1
	45	3 -1
	46	3 -1
172A23-72052	44	3 -2
	45	3 -2

Parts No.	Fig. No.	Ref. No.
172A23-72052	46	3 -2
	88	26
	89	28
	90	28
172A23-72061-1	44	30
172A23-72061-3	44	30 -1
172A23-72062-2	44	30 -2
172A23-72062-N	44	30 -3
	88	27
172A23-72081	44	4
	45	5
	46	5
	88	29
	89	30
	90	30
172A23-72301-1	44	5
172A23-72302-1	44	5 -1
172A23-72302-3	44	5 -2
172A23-72302-N	44	5 -3
		5 -4
172A23-72320-1	44	13
172A23-72320-3	44	13 -1
172A23-72320-N	44	13 -2
172A23-72340	44	20
172A23-72341	44	20 -1
172A23-72501-1	45	6
172A23-72502-1	45	6 -1
172A23-72502-3	45	6 -2
172A23-72502-N	45	6 -3
		6 -4
172A23-72520-1	45	19
172A23-72520-3	45	19 -1
172A23-72520-N	45	19 -2
172A23-72570	45	24
172A23-72571	45	24 -1
172A23-72800	48	24 -3
172A23-72901-1	45	4
	46	4
172A23-72901-3	45	4 -1
	46	4 -1
172A23-72902-1	46	4 -2
172A23-72902-2	45	4 -2
172A23-72902-N	45	4 -3
	46	4 -3
	89	33
	90	33
172A23-72950-1	44	31
	45	30
	46	31
172A23-72951-1	44	31 -2

Parts No.	Fig. No.	Ref. No.
172A23-72951-1	45	30 -2
	46	31 -2
172A23-72951-3	44	31 -1
	45	30 -1
	46	31 -1
172A23-72951-N	44	31 -3
	45	30 -3
	46	31 -3
	88	32
	89	34
	90	34
172A23-73100	83	6
172A23-73110	83	8
	84	8
172A23-73140	83	11
	84	11
172A23-73160	83	18
	84	18
172A23-73510	50	20 -1
172A23-73511	50	20 -2
172A23-73530	50	14 -1
172A23-73540	50	78 -1
172A23-73550	50	52 -2
172A23-73551	50	52 -3
172A23-76200	66	16
172A23-76210	66	14 -3
172A23-76300	63	7
172A23-76301	63	5 -1
		7 -1
172A23-78080	63	15
172A23-78090	63	16 -1
172A23-78110	63	17
172A23-78111	63	17 -1
172A23-78112	63	17 -2
172A23-78120	63	18 -1
172A23-78121	63	18 -2
172A23-78130	63	19
172A23-78131	63	19 -1
172A23-78840	66	35
172A23-78850	66	36
172A23-78860	66	37
172A23-81090-1	76	1
172A23-81090-3	76	1 -1
172A23-81090-Y	76	1 -2
172A23-94090-1	82	2
172A23-94090-2	82	2 -1
172A23-94091-2	82	2 -2
172A23-94092	82	2 -3
172A25-17200	13	51 -1
172A25-17300	13	51 -2

Parts No.	Fig. No.	Ref. No.
172A30-17200	15	9
172A30-72501-1	46	6
172A30-72502-1	46	6 -2
172A30-72502-2	46	6 -1
172A30-72502-N	46	4 -4
		6 -3
172A30-72520-1	46	17
172A30-72520-3	46	17 -1
172A30-72520-N	46	17 -2
172A30-72540	46	21
172A30-72541	46	21 -1
172A30-73100	84	6
172A36-03020	85	1
172A36-03110	1	8
	36	12 C
172A36-03111	1	8 -1
	36	12 C-1
	96	16 C
172A36-03112	1	8 -2
	94	2
172A36-03410	1	50
172A36-03411	1	50 -1
	3	14 -1
	28	25 A-1
	94	32
172A36-03471	85	29
172A36-03500	1	1 -1
172A36-03501	1	1 -2
172A36-03502	94	1
172A36-03503	94	1 -1
172A36-03510	2	1 -1
172A36-08600	100	1
172A36-08800	98	1
172A36-16520	12	8
172A36-16521	12	8 -1
172A36-16522	12	8 -2
172A36-46800	20	4
172A36-46801	20	4 -1
172A36-46802	20	4 -2
172A36-61410	30	14
172A36-64090	96	3
	98	26
172A36-64200	36	5
172A36-64201	36	5 -1
172A36-64201-N	36	5 -2
172A36-64202	36	5 -3
	96	7
172A36-64450	96	13
	98	30
172A36-64850	36	18

Parts No. Index

Parts No.	Fig. No.	Ref. No.
172A36-64851	36	18 -1
172A36-64852	36	18 -2
	100	3
172A36-64852-N	36	18 -3
172A36-65530	38	1 -2
172A36-65540	38	3 -2
172A36-74690	59	2
172A36-74750	59	8
172A36-74780	59	9
172A37-03150	85	2
172A37-03160	85	3
172A37-03180	85	4
172A37-03190	85	5
172A37-03220	85	6
172A37-03231	85	7
172A37-03241	85	8
172A37-03250	85	9
172A37-03271	85	13
172A37-03280	85	14
172A37-03290	85	15
172A37-03300	85	16
172A37-03310	85	17
172A37-03330	85	19
172A37-03350	85	20
172A37-03360	85	22
172A37-03370	85	24
172A37-03400	85	26
172A37-03410	85	27
172A37-03430	85	28
172A37-03490	85	31
172A37-03500	85	32
172A37-03520	85	33
172A37-03530	85	34
172A37-03540	85	36
172A37-03550	85	38
172A37-03680	85	40
172A37-03710	85	42
172A37-03720	85	43
172A37-03730	85	44
172A38-03200	1	28 -1
	8	19 A-1
172A38-03201	1	28 -2
	3	22
	8	19 A-2
	94	10
172A38-03210	1	29 -1
	8	5 A-1
172A38-03211	1	29 -2
	3	23
	8	5 A-2

Parts No.	Fig. No.	Ref. No.
172A38-03211	94	11
172A45-78600	65	18 -1
172A46-64180	36	1 -1A
		39 A
172A46-64190	36	1 -1B
		39 B
172A46-64200	36	1 -1
		1 -2
		39
		39 -1
172A46-64500	36	41
172A46-64500-N	36	41 -1
172A46-64520	36	40
172A46-64520-N	36	40 -1
172A46-72070	44	36
	45	39
	46	40
	88	28
	89	29
	90	29
172A46-75500	62	13 -1
172A47-17210	13	2 A
172A47-17211	13	2 A-1
172A47-72840	44	37 -1
	45	40 -1
	46	41 -1
	88	31
	89	32
	90	32
172A55-03310	1	7 -1
	76	4 A-1
172A64-03050	1	57
	37	8 A
172A64-03380	94	29 -1
172A64-03390	85	17 -1
172A64-03400	37	8 A-1
	94	52
172A64-03700	1	20 -1
	94	45
172A64-64040	95	2
	98	4
172A64-64060	95	3
	98	5
172A64-64070	95	1
	98	3
172A64-64080	95	4
	98	6
172A64-64090	95	5
	98	7
172A65-17480	13	53

Parts No.	Fig. No.	Ref. No.
172A69-14230	9	16 -1
172A77-17250	13	48
172A77-17500	13	52
172A77-46050	20	15 -1
	21	1 -1
172A77-64270	36	33 -1
	97	4
172A79-12150	6	1 A-1
172A79-72570	44	1 -1
	45	1 -1
	46	1 -1
	88	30
	89	31
	90	31
172A79-72870	91	12
172A86-03310	1	7 -2
	76	4 A-2
172A86-03790	76	4 A-3
	94	47
172A86-03820	94	46 -1
172A89-64780	95	15
	98	17
172A89-64800	95	16
	98	18
172A89-64810	95	17
	98	19
172A89-64870	95	18
	98	20
172A89-64880	95	19
	98	21
172A89-64950	95	10
	98	12
172B02-64210	95	6
	98	8
172B02-64230	95	14
	98	16
172B02-64270	95	7
	98	9
172B02-69040	36	4 -1
	96	20
172B02-73800	86	1
172B02-73810	86	2
172B02-73840	86	3
172B02-73850	86	4
172B02-73860	86	5
172B02-73870	86	11
172B02-73880	86	12
172B02-73890	86	11 -1
172B02-73900	86	10
172B02-73910	86	10 -1

Parts No.	Fig. No.	Ref. No.
172B03-03230	85	45
172B03-73290	50	19 -1
172B03-73330	50	3 -1
172B03-73340	50	17 -1
172B04-03980	94	49
172B04-72690	87	23
	91	17
172B04-72770	87	27
	88	23
	91	18
172B16-03180	40	1 J
	94	8
172B16-73350	50	89 -1
172B16-73380	50	41 -1
172B57-57620	29	10 -1
172B57-57630	29	11 -1
183341-91800	33	18 -1
194145-04810	7	1
	37	1
		2
194151-57100	13	28
194200-37780	24	26
	26	17
194202-56460	20	26
194464-52190	13	41
	14	8
	20	20
194680-51670	11	22
	12	24
		37
194940-24350	29	8
198448-48810	61	4
198461-52950	13	30 -1
		30 -2
1A1040-43900	25	2
1A1040-45890	24	8
	26	28
1A1040-56900	6	6
1A1380-59480	12	38
1A1380-62160	37	4
1A6240-37360	50	2
1A8160-63400	36	35 -1
1A8160-63401	97	1
1C6281-52310	6	5
1D4070-23580	20	15
	21	1
1E3030-78370	92	18
1E6140-73420	17	6
	93	4
1E6740-64200	24	27 -1

Parts No. Index

Parts No.	Fig. No.	Ref. No.
1E6740-64200	26	18 -1
22117-040000	22	10
22117-080000	22	25
	24	31
	26	32
	59	10
22117-100000	31	20
	63	10
	70	26
22133-100000	31	20 -1
22137-060000	6	7
	10	35
	13	34
		34 -1
	60	20
		20 -1
22137-080000	5	13
	11	7
	12	25
	13	56
	20	9
	21	18
		19
	22	35
		43
	26	10
	35	20
	37	25
	38	33
		42
	81	22
22137-100000	5	17
	8	24
	9	30
		31
	11	17
	12	26
	14	9
	16	8
	24	24
	26	11
	30	16
	31	15
	33	12
	34	7
	36	22
		23
		37 -1
		37 -2
	37	26

Parts No.	Fig. No.	Ref. No.
22137-100000	37	27
	38	34
	81	23
	96	21
	97	5
22137-120000	12	27
	34	8
	36	24
		25
		37
	96	22
		23
22137-140000	44	32
	45	31
	46	32
	62	24
22137-240000	59	11
22157-060000	11	18
22157-100000	33	14
	34	9
	38	35
		35 -1
	77	16
	78	19
	81	24
22157-120000	75	19
	76	16
	77	17
	78	20
	82	9
22212-080000	83	52
	84	56
22217-060000	12	28
	31	16
	59	12
22217-080000	10	36
	11	8
		9
	36	26
22217-100000	7	9
	24	10
	26	33
	43	33
		34
	44	33
	45	32
		33
	46	33
		34
		34
	47	27

Parts No.	Fig. No.	Ref. No.
22217-100000	86	6
	87	33
		34
	89	35
	90	35
		36
	91	23
22217-120000	12	29
	30	17
	40	3
		3 -1
22217-140000	62	25
	80	9
22217-160000	28	16
		16 -1
		26
		29 -1
	40	4
22242-000200	41	15
	42	15
22242-000250	21	20
	83	53
	84	57
22242-000300	18	8
		28
22242-000320	81	25
22242-000451	52	12
	86	7
22242-000500	75	20
22252-000250	81	26
22252-000520	17	7
	83	54
	84	58
	93	5
22252-000720	18	9
		29
22272-000070	21	21
22312-060120	41	30
	42	48
22351-030028	15	8 D
22351-030032	20	21
	23	4
22351-035040	21	22
22351-050032	20	22
	23	5
22351-060016	83	55
	84	59
22351-060040	21	23
22417-160160	22	26
	23	10

Parts No.	Fig. No.	Ref. No.
22417-160160	24	32
	26	34
22417-200160	59	13
22417-200200	21	24
	37	28
		29
	38	36
22417-250200	24	25
	26	12
	31	17 -1
22417-320200	31	17
		17 -2
22417-500250	44	34
	45	34
	46	35
22487-080300	59	14
22859-500200	95	13
	98	15
22877-400121	13	47 -1
23000-013000	9	14
	66	39
		40
	72	9
23000-060000	5	14
23001-016000	66	41
23001-022000	66	42
23001-035000	66	43
23001-041000	8	25
23001-060000	63	21
		22 -1
23001-070000	63	22
23080-013000	9	32
23391-020000	73	13
23393-020000	68	11
23393-040000	66	44
	67	5
23418-060000	10	31
23871-005000	48	19
	49	23
23871-010000	51	8
	59	15
23871-020000	52	13
	86	8
23871-040000	70	7
24101-060024	50	81
24101-060044	50	82
24101-062054	17	8
	93	6
24101-062074	18	10
		30

Parts No. Index

Parts No.	Fig. No.	Ref. No.
24190-050002	87	11
	88	13
	89	19
	90	22
24190-070002	91	13
24311-000060	53	10
	54	28
	55	24
24311-000090	41	52
		119
	42	70
		119
24311-000100	83	48
24311-000110	84	40
24311-000120	54	10
	55	10
	56	24
	57	27
	58	20
	8	4
	41	96
	129	
	42	31
		114
24311-000180	41	53
		120
	42	71
		120
	53	33
	54	27
	55	25
	56	30
	57	34
	20	23
24311-000210	23	6
	24	11
	25	8
	26	35
	59	16
	59	17
	21	25
24311-000250	81	27
	52	10
	10	32
	41	75
		123
	42	93
		123
	83	14
		64
		64

Parts No.	Fig. No.	Ref. No.
24315-000070	84	14
		68
24315-000080	41	91
		127
		127
	42	127
	53	11
	57	14
	83	15
		49
		56
		65
	84	15
		41
		60
		69
24315-000090	53	31
24315-000100	53	32
24315-000110	41	94
		128
	42	128
	53	12
		27
	54	11
		24
	55	11
	56	11
		25
	57	15
		28
	58	10
		21
	64	4
	7	
65	4	
	6	
66	8	
	11	
	13	
	15	
	21	
	22	
	23	
	68	4
		10
		12
	71	2
		4
		19
	72	3
		5

Parts No.	Fig. No.	Ref. No.
24315-000110	73	5
		7
		8
		9
		10
		12
	83	57
		66
	84	61
		70
	92	2
24315-000120	83	58
		67
	84	62
		71
24315-000140	18	13
		33
	41	111
		131
	42	108
		126
	53	13
	57	29
	63	4
		6
	8	-2
	11	
64	4	-2
	8	
	9	
65	8	
	12	
	13	
	14	
	15	
	16	
66	17	
67	6	
68	8	
	13	
	14	
69	3	
	4	
	5	
	6	
	83	50
	84	42
24315-000150	87	19
	89	6
	90	6

Parts No.	Fig. No.	Ref. No.
24315-000180	53	14
	63	8
	66	4
		24
24315-000300	18	17
		37
24315-000560	86	13
24315-000750	86	14
24315-350220	88	18
24321-000400	63	12
24321-000450	41	18
		115
	42	36
		115
24321-000700	52	11
24321-000900	41	76
		124
	42	94
		124
24321-001050	62	20
24325-000550	83	16
		68
	84	16
		72
24325-000700	86	15
24341-000300	62	21
24550-025150	21	8
	49	10
	44	19
	45	18
	46	27
24550-040300	43	29
	47	15
	48	12
24761-020000	18	14
		34
	22	17
	24	12
	43	31
	49	24
	74	4
	79	14
		15
	80	22
	81	28
	82	10
	87	28
24761-040000	24	13
	26	36
	28	23

Parts No. Index

Parts No.	Fig. No.	Ref. No.	
24761-040000	44	29	
	45	29	
	46	29	
	77	18	
	78	21	
	82	11	
	88	24	
	89	26	
	90	26	
	24761-050000	21	26
		22	18
		26	37
47		23	
76		17	
26013-060122	91	19	
	13	35	
		36	
		37	
	38	-1	
	14	10	
26013-060162	10	37	
	13	38	
		39	
26013-060202	10	37	
	13	40	
	60	21	
		21	-1
26013-060302	22	45	
26013-060352	22	22	
26013-080122	14	11	
26013-080162	6	8	
	8	26	
		27	
	12	30	
	20	10	
		24	
	21	27	
	24	14	
	25	9	
	26	38	
	32	2	
	62	22	
	71	9	
		10	
	81	29	
	87	20	
	88	19	
	89	7	
	90	7	
	92	9	

Parts No.	Fig. No.	Ref. No.
26013-080162	92	10
26013-080202	5	15
	9	33
	20	11
	21	28
		29
	25	10
	36	42
	62	23
26013-080252	14	12
	59	20
	71	11
26013-100162	92	11
	12	31
		39
26013-100202	53	34
	6	9
	7	10
	8	28
	9	34
		35
	11	19
	12	32
		33
	20	12
		13
		14
	21	30
	26	39
	27	4
	30	18
		19
		31
		33
		34
		10
	36	27
		28
		43
	38	14
		15
		16
		17
		37
	39	13
	48	25
	59	21
	63	13
	66	25
	67	11

Parts No.	Fig. No.	Ref. No.
26013-100202	75	21
	81	30
	96	24
26013-100252	6	9
	7	11
		12
	14	13
		14
	17	2
	22	19
	33	16
	34	11
		17
	36	29
	37	30
		31
		32
		33
	38	38
		39
		39
		88
	50	88
	63	14
	67	7
		12
	70	8
		9
	77	19
	78	22
	81	31
	82	12
	96	25
26013-100302	17	16
	41	2
	42	2
	83	2
	84	2
26013-100352	17	14
	27	5
	30	20
	34	12
	52	14
	67	11
		11
26013-100402	18	18
		38
	27	2
	52	15
	86	16
26013-100552	5	3
26013-100602	5	3
		-1

Parts No.	Fig. No.	Ref. No.
26013-100752	39	14
26013-120252	17	9
	36	30
	75	22
	76	18
	77	20
	78	23
	93	8
	96	26
26013-120302	34	13
	36	31
	41	133
	42	130
	70	17
	82	13
	83	5
	84	5
	96	27
26013-120352	29	7
	33	17
	51	52
26013-120402	70	18
	70	18
26013-120502	70	18
		19
26013-120552	70	20
26013-120602	70	19
		20
		-1
26014-060202	13	50
26014-060402	13	36
26014-080162	76	19
26014-080202	16	4
	62	23
	62	22
26014-080252	62	22
26014-100202	38	16
		17
		-1
	96	28
		29
	98	31
26014-100252	63	13
26014-120552	70	18
26014-120602	70	19
26022-050122	9	15
	59	18
26022-080162	8	29
26051-080002	22	27
	23	11
	24	33
	26	40
	36	44
	99	3

Parts No. Index

Parts No.	Fig. No.	Ref. No.
26051-080002	100	7
26076-100202	44	35
	45	35
	46	36
26076-100252	44	35 -1
	45	35 -1
	46	36 -1
	88	33
	89	36
	90	37
26076-100352	86	9
26076-120402	40	5
		5 -1
26076-160402	40	6
26106-080252	95	20
	98	22
26106-100122	29	3
26106-100162	30	21
		22 -1
		24
	38	18
		41
	61	5 -1
	95	21
	98	23
26106-100202	30	22
	61	5
26106-100252	95	22
	98	24
26116-060122	31	19
26116-080162	11	10
26116-080202	81	32
26116-080252	81	32 -1
26116-080254	23	7
	24	15
	26	13
26116-080702	10	38
26116-100162	43	35
		36
	45	36
	46	37
	47	28
	87	35
		36
	89	37
	90	38
	91	24
26116-100202	24	16
	26	41
26116-100352	36	34 -1

Parts No.	Fig. No.	Ref. No.
26116-100352	97	6
26116-100404	22	11
26116-100604	22	12
26116-100652	79	16
	80	23
		32
26116-100802	81	33
26116-120162	12	34
26116-120252	30	23
26116-121102	75	23
26116-140302	62	27 -1
26116-140352	62	26
		27
26116-160452	28	17
		27
26116-160652	28	18
		18 -2
26117-060554	6	20
26206-141502	75	24
26346-100002	16	9
26347-080002	22	36
		44
		26
		38
		40
26347-100002	37	34
		38
		19
26366-100002	5	4
26367-100002	9	36
26450-040102	41	97
		42
		32
26450-050102	54	12
		55
		12
		56
		26
		57
		30
		58
		22
26450-050122	41	110
		42
		107
26450-050182	54	13
		55
		13
		56
		27
		57
		31
		58
		23
26450-050452	84	43
26450-060102	6	21
26450-060122	41	19
		42
		37
26450-060162	44	37
		45
		40
		46
		41
		59
		19

Parts No.	Fig. No.	Ref. No.
26450-060202	41	54
		64
	42	72
		82
26450-060302	49	25 -1
26450-060352	49	25
26450-080202	41	31
	42	49
	50	87
26450-080302	41	98
	42	33
26450-080402	41	32
	42	50
26450-100252	41	77
	42	95
26450-120402	41	4
	42	4
	83	4
	84	4
26559-050202	95	23
	98	25
26577-080122	35	19
26587-040122	22	13
26711-080002	83	59
	84	63
26716-060002	11	20
	12	35
26716-080002	11	11
	23	8
	24	17
	26	15
	36	32
	53	30
26716-100002	7	13
	22	14
	36	36 -1
	79	17
	80	24
		33
	81	34
	97	7
26716-120002	75	25
26716-140002	75	26
26756-060002	81	35
26757-100002	6	22
	26	16
26776-180002	13	42
	14	15
	20	25
26857-060002	6	23

Parts No.	Fig. No.	Ref. No.
29311-252000	66	38
29420-050000	12	14
29420-150000	12	15
29420-300000	12	16
41851-000110	57	28 -1
	64	4 -1
		7 -1
	65	4 -1
		6 -1
		6 -2
		24
	66	11 -1
		13 -1
		15 -1
		21 -1
		22 -1
		23 -1
	68	4 -1
		10 -1
		12 -1
	71	4 -1
		4 -2
	72	3 -1
		5 -1
	73	5 -1
		7 -1
		8 -1
		9 -1
		10 -1
		12 -1
	92	4
41851-000140	57	29 -1
	63	11 -1
	64	8 -1
		9 -1
	65	13 -1
		14 -1
		15 -1
		16 -1
	66	17 -1
	67	6 -1
	68	13 -1
		14 -1
	69	4 -1
		5 -1
		6 -1
41851-000180	63	6 -1
		8 -1
	66	24 -1
772448-82530-1	80	34

Parts No. Index

Parts No.	Fig. No.	Ref. No.
772448-82530-3	80	34 -1
772456-14111	9	1
772456-14112	9	1 -1
772456-37100-1	18	2
772456-37100-2	18	2 -1
772456-37110-1	18	22
772456-37110-2	18	22 -1
772456-37120-1	18	1 -1
772456-37120-3	18	1
772456-37130-1	18	21 -1
772456-37130-3	18	21
772456-37301-1	17	3
772469-03131	2	1
772A23-75100-1	62	1
772A23-75100-3	62	1 -1
772A23-75100-Y	62	1 -2
772A36-03110	1	1
933110-00301	13	7
933110-54100	22	28
	23	12
	24	34
	26	42
933111-26600	48	23
933125-59600	46	30
933126-38600	18	19
		39
933147-03400	43	37
	45	37
	46	38
	47	29
	87	37
	89	38
	90	39
	91	25
933152-02710	62	6
933152-09280	14	16
933168-14170	43	38
	45	38
	46	39
	47	30
	87	38
	89	39
	90	40
	91	26
933168-55770	14	17
	23	13
933171-13691	18	20
		40
	93	7
933171-15680	13	43

Parts No.	Fig. No.	Ref. No.
933171-15801	12	36
933171-29751	82	14

Parts No.	Fig. No.	Ref. No.
-----------	----------	----------

Parts No.	Fig. No.	Ref. No.
-----------	----------	----------

Go to Discount-Equipment.com to order your parts

PARTS FINDER

**Search Website
by Part Number**



**Search Manual
Library For Parts
Manual & Lookup Part
Numbers – Purchase
or Request Quote**

Search Manuals

Enter your information to help us find the right parts manual for your machine.

* Brand:

* Model:

* Serial:

* Part Number:

SEARCH

**Can't Find Part or
Manual? Request Help
by Manufacturer,
Model & Description**

Parts Order Form

Please fill in the following information to help us find the right part for your machine.

MANUFACTURER:

MODEL:

DESCRIPTION:

SEARCH

Discount-Equipment.com is your online resource for quality parts & equipment.

Florida: **561-964-4949** Outside Florida TOLL FREE: **877-690-3101**

Need parts?

Click on this link: <http://www.discount-equipment.com/category/5443-parts/> and choose one of the options to help get the right parts and equipment you are looking for. Please have the machine model and serial number available in order to help us get you the correct parts. If you don't find the part on the website or on one of the online manuals, please fill out the request form and one of our experienced staff members will get back to you with a quote for the right part that your machine needs.

We sell worldwide for the brands: Genie, Terex, JLG, MultiQuip, Mikasa, Essick, Whiteman, Mayco, Toro Stone, Diamond Products, Generac Magnum, Airman, Haulotte, Barreto, Power Blanket, Nifty Lift, Atlas Copco, Chicago Pneumatic, Allmand, Miller Curber, Skyjack, Lull, Skytrak, Tsurumi, Husquvarna Target, Stow, Wacker, Sakai, Mi-T-M, Sullair, Basic, Dynapac, MBW, Weber, Bartell, Bennar Newman, Haulotte, Ditch Runner, Menegotti, Morrison, Contec, Buddy, Crown, Edco, Wyco, Bomag, Laymor, EZ Trench, Bil-Jax, F.S. Curtis, Gehl Pavers, Heli, Honda, ICS/PowerGrit, IHI, Partner, Imer, Clipper, MMD, Koshin, Rice, CH&E, General Equipment, Amida, Coleman, NAC, Gradall, Square Shooter, Kent, Stanley, Tamco, Toku, Hatz, Kohler, Robin, Wisconsin, Northrock, Oztec, Toker TK, Rol-Air, APT, Wylie, Ingersoll Rand / Doosan, Innovatech, Con X, Ammann, Mecalac, Makinex, Smith Surface Prep, Small Line, Wanco, Yanmar