

**YANMAR**

**PARTS CATALOG**



[www.discount-equipment.com](http://www.discount-equipment.com)

0CS10-M49501EN

Last update      Feb., 2020

Go to [Discount-Equipment.com](http://Discount-Equipment.com) to order your parts

# PARTS FINDER

**Search Website  
by Part Number**



**Search Manual  
Library For Parts  
Manual & Lookup Part  
Numbers – Purchase  
or Request Quote**

**Search Manuals**

Enter your information to help us find the right parts manual for your machine.

\* Brand:

\* Model:

\* Serial:

\* Part Number:

SEARCH

**Can't Find Part or  
Manual? Request Help  
by Manufacturer,  
Model & Description**

**Parts Order Form**

Please fill in the following information to help us find the right part for your machine.

Manufacturer:	<input type="text"/>
Model:	<input type="text"/>
Description:	<input type="text"/>
Part Number:	<input type="text"/>
Quantity:	<input type="text"/>
Notes:	<input type="text"/>

Submit

Discount-Equipment.com is your online resource for quality parts & equipment.

Florida: **561-964-4949** Outside Florida TOLL FREE: **877-690-3101**

**Need parts?**

Click on this link: <http://www.discount-equipment.com/category/5443-parts/> and choose one of the options to help get the right parts and equipment you are looking for. Please have the machine model and serial number available in order to help us get you the correct parts. If you don't find the part on the website or on one of the online manuals, please fill out the request form and one of our experienced staff members will get back to you with a quote for the right part that your machine needs.

We sell worldwide for the brands: Genie, Terex, JLG, MultiQuip, Mikasa, Essick, Whiteman, Mayco, Toro Stone, Diamond Products, Generac Magnum, Airman, Haulotte, Barreto, Power Blanket, Nifty Lift, Atlas Copco, Chicago Pneumatic, Allmand, Miller Curber, Skyjack, Lull, Skytrak, Tsurumi, Husquvarna Target, Stow, Wacker, Sakai, Mi-T-M, Sullair, Basic, Dynapac, MBW, Weber, Bartell, Bennar Newman, Haulotte, Ditch Runner, Menegotti, Morrison, Contec, Buddy, Crown, Edco, Wyco, Bomag, Laymor, EZ Trench, Bil-Jax, F.S. Curtis, Gehl Pavers, Heli, Honda, ICS/PowerGrit, IHI, Partner, Imer, Clipper, MMD, Koshin, Rice, CH&E, General Equipment, Amida, Coleman, NAC, Gradall, Square Shooter, Kent, Stanley, Tamco, Toku, Hatz, Kohler, Robin, Wisconsin, Northrock, Oztec, Toker TK, Rol-Air, APT, Wylie, Ingersoll Rand / Doosan, Innovatech, Con X, Ammann, Mecalac, Makinex, Smith Surface Prep, Small Line, Wanco, Yanmar

# P R E F A C E

1 . This Parts Catalog carries Yanmar excavator (crawler back-hoe) VI017 for U.S.A.,Australia,New Zealand & Singapore.

(M/# 00501 ~ )

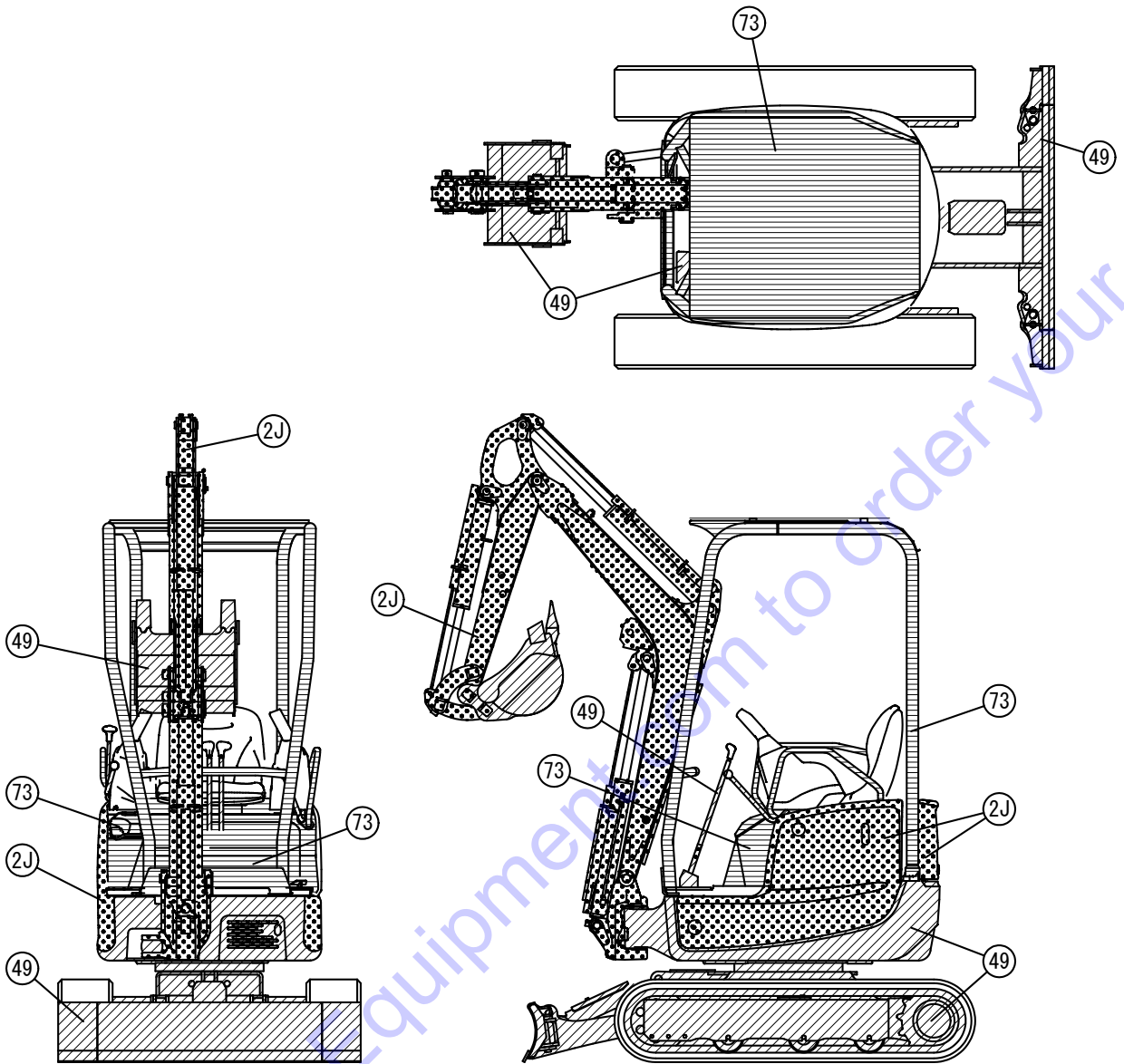
2 . Parts catalog history

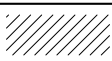

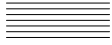
		Model	Published	Remarks
1st edition	Vehicle	VI017(US,AS,NZ)	Jul.,2007	Disuse old edition
	Engine	3TNV70-XBV		
1st revised	Vehicle	VI017(US,AS,NZ,SG)	Jul.,2014	
	Engine	3TNV70-XBV		

3 . Your understanding is asking that this parts catalog is not a technical data manual setting forth as servicing procedures, This parts catalog is using simplified illustration.

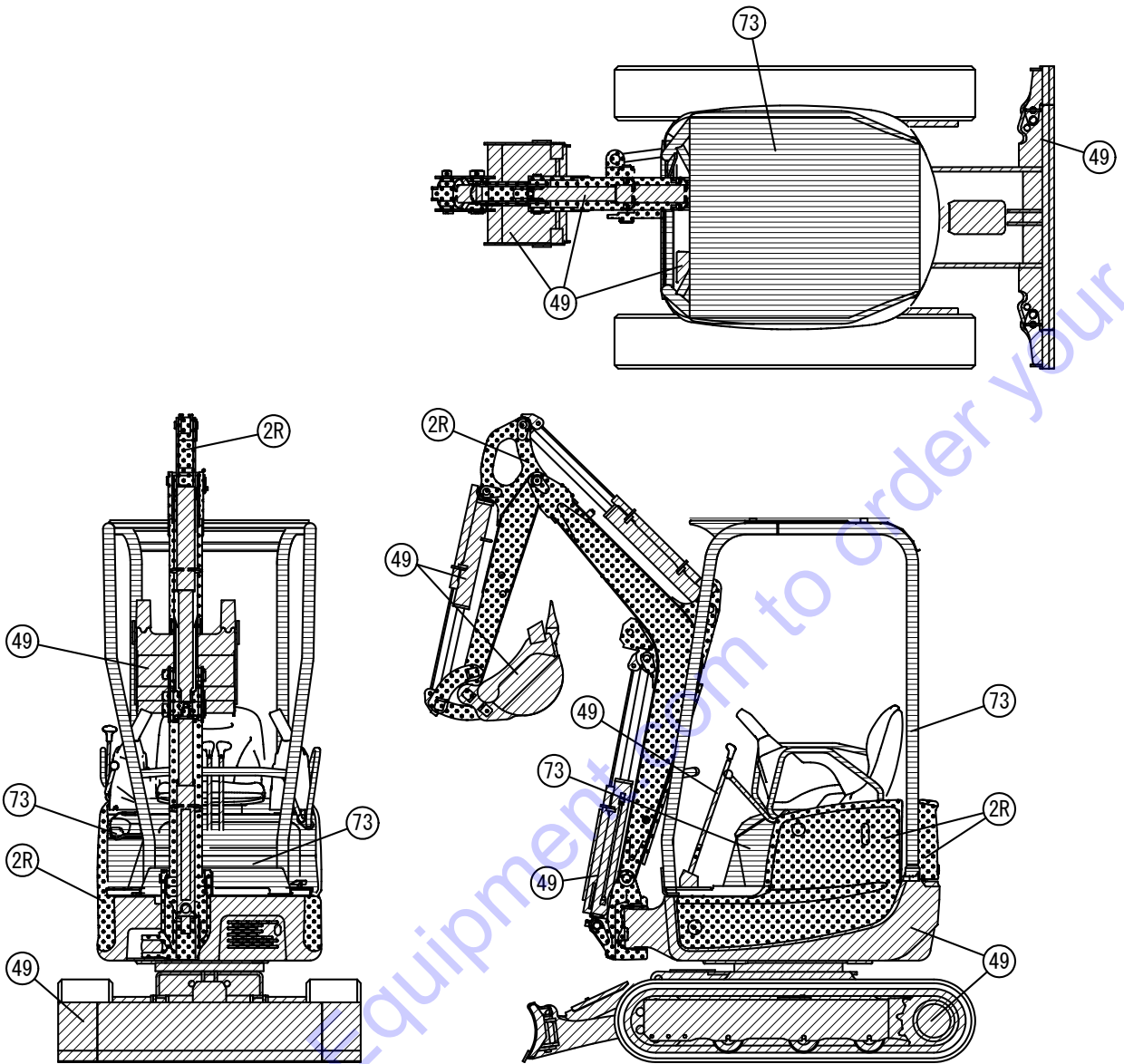
Be sure to use Yanmar Genuine Parts in your maintenance servicing of Yanmar products. Be careful not to use the simple parts available in the market, otherwise their use in repairing causes such as an early breakage, for instance.




# VEHICLE PAINTED COLOR (TO M07000)



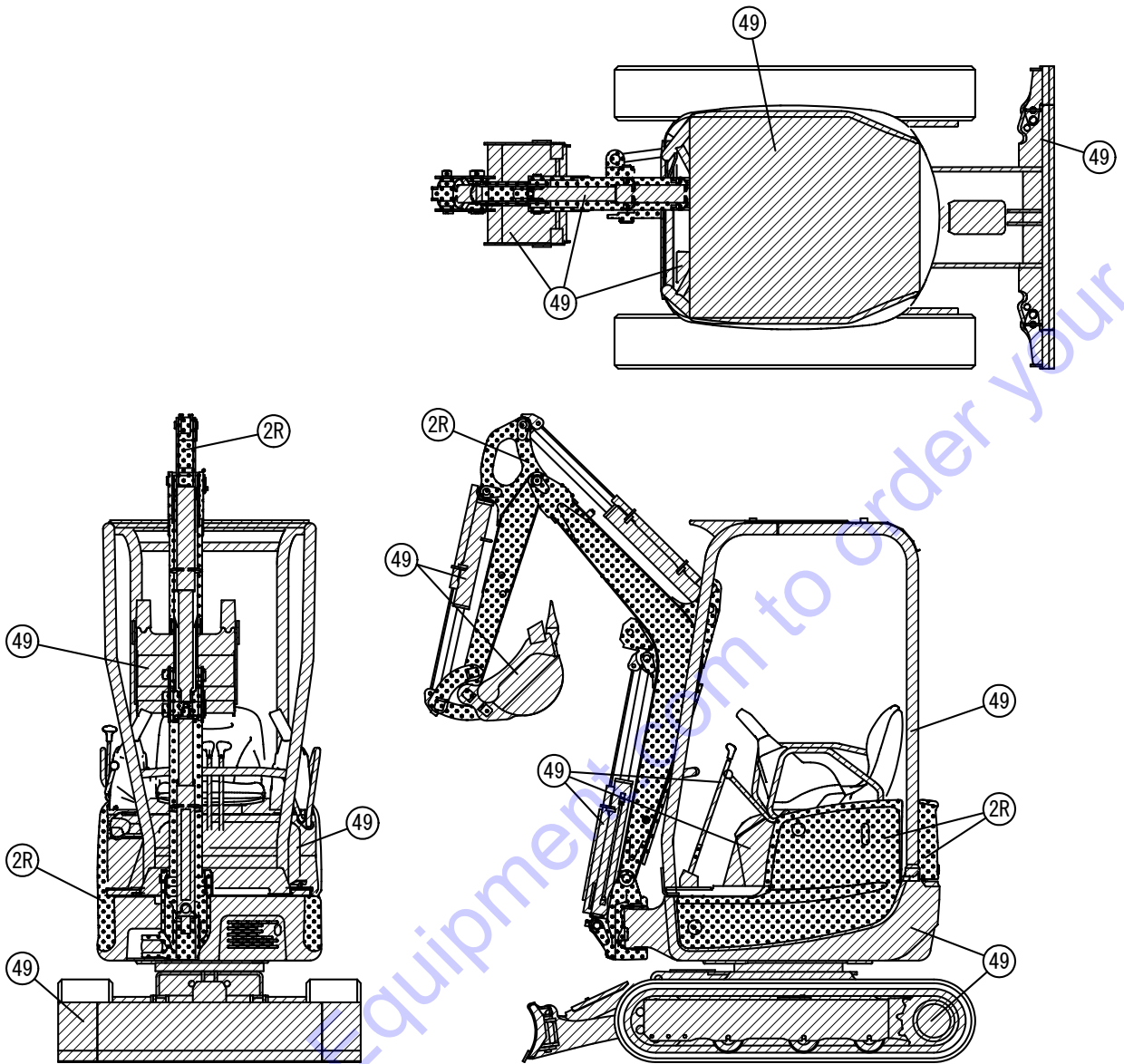
Color Code	Description	Painted Color	Paint Part No.		
			16L Can	4L Can	SPRAY
49		YANMAR Navy Gray	-----	TOR-91390000	TOR-90390002
2J		YANMAR New Permanent Yellow 2	981101-09520	977620-40871	977620-30872
73		YANMAR Warm Gray	-----	-----	TOR-90450003



# VEHICLE PAINTED COLOR (FROM M07001 TO M0F000)



Color Code	Description	Painted Color	Paint Part No.		
			16L Can	4L Can	SPRAY
49		YANMAR Navy Gray	-----	TOR-91390000	TOR-90390002
2R		YANMAR Turmeric Yellow	-----	977620-41001	977620-41002
73		YANMAR Warm Gray	-----	-----	TOR-90450003

# VEHICLE PAINTED COLOR (FROM M0F001)



Color Code	Description	Painted Color	Paint Part No.		
			16L Can	4L Can	SPRAY
49		YANMAR Navy Gray	-----	TOR-91390000	TOR-90390002
2R		YANMAR Turmeric Yellow	-----	977620-41001	977620-41002

# PICTURESQUE INDEX (1) ■ ■ ■ MAIN PARTS

## 1. LABEL & ACCESSORY

Fig. 1, 2, 95

## 14. OPTIONAL & KIT

Fig. 82~84, 88

## 12. HYDRAULIC OIL PIPING

Fig. 63~75, 87, 91

## 3. ELECTRICAL PARTS

Fig. 10~15

## 10. CANOPY

Fig. 41

## 8. AROUND SEAT

Fig. 34, 36~39, 96, 97

## 2. ENGINE RELATED

Fig. 3~9

## 9. BONNET

Fig. 40

## 5. CONTROL EQUIPMENT

Fig. 19~28

## 13. IMPLEMENT

Fig. 76~81

RIGHT



REAR



## 6. FRAME

Fig. 29, 30, 92

## 7. COVER

Fig. 31~33, 35

## 4. TRAVELING

Fig. 16~18, 85, 93, 94, 98

FRONT

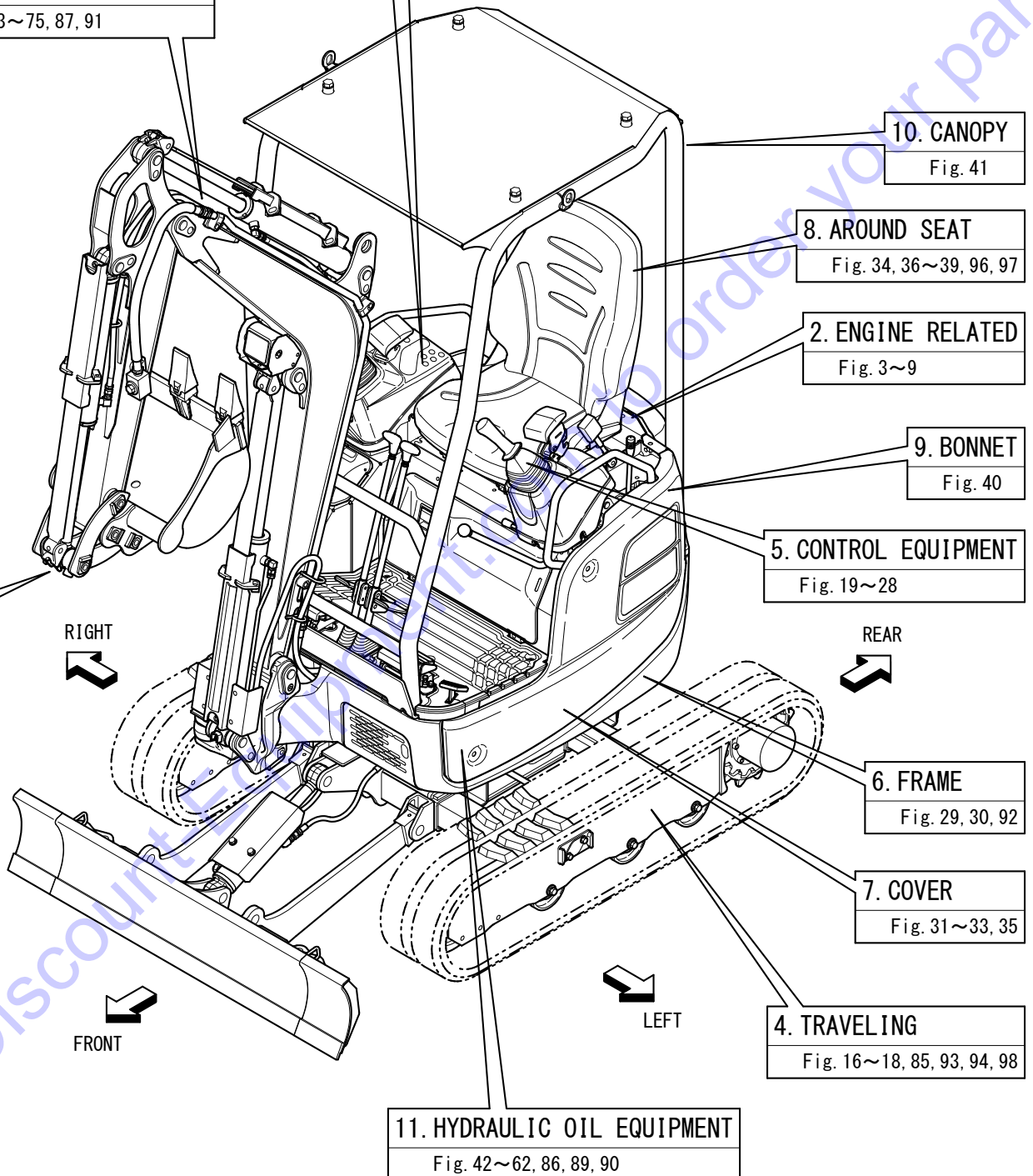


LEFT



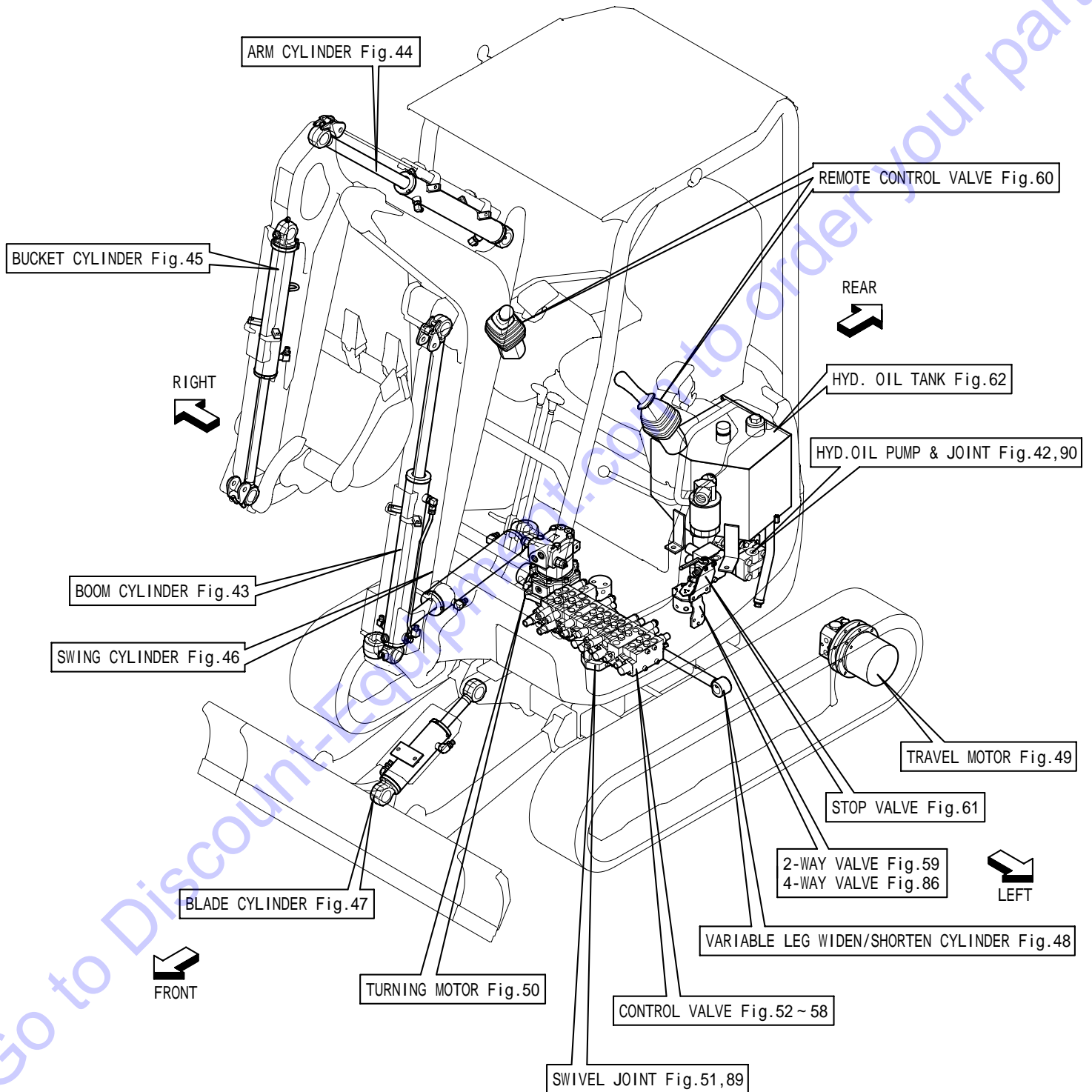
## 11. HYDRAULIC OIL EQUIPMENT

Fig. 42~62, 86, 89, 90



# PICTURESQUE INDEX(2) • • • HYDRAULIC SECTION

HYD.OIL PIPING Fig.63~72,91  
CONTROL PIPING Fig.73,74,87





# Contents

0CS10-M49501

Fig. No. Fig. Name

## LABEL & ACCESSORY

- 1. LABEL(TO M0F000)
- 95. (1A)LABEL(FROM M0F001)
- 2. LABEL(SAFETY)

## ENGINE RELATED

- 3. SILENCER
- 4. AIR CLEANER
- 5. ACCELERATOR LEVER
- 6. ENGINE MOUNT
- 7. RADIATOR & MOUNT
- 8. FUEL TANK
- 9. FUEL PIPING

## ELECTRICAL PARTS

- 10. BATTERY
- 11. AROUND THE ENGINE
- 12. AROUND THE SEAT
- 13. STARTER SWITCH
- 14. TRAVEL ALARM
- 15. WORK LAMP

## TRAVELING

- 16. SPROCKET & TRACK ROLLER(RUBBER CRAWLER SPEC.)(Y SPEC.)
- 85. (16A)SPROCKET & ROLLER(IRON CRAWLER SPEC.)(Y SPEC.)

Fig. No. Fig. Name

- 93. (16B)TRACK ROLLER(RUBBER CRAWLER SPEC.)(S SPEC.)
- 94. (16C)SPROCKET & ROLLER(IRON CRAWLER SPEC.)(S SPEC.)
- 17. IDLER & ADJUST
- 18. RUBBER CRAWLER & IRON CRAWLER(T SPEC.)
- 98. (18A)IRON CRAWLER(H SPEC.)

## CONTROL EQUIPMENT

- 19. LOCK LEVER & STAND(RIGHT)
- 20. LOCK LEVER & STAND(LEFT)
- 21. TRAVEL LEVER
- 22. BLADE LEVER
- 23. VARIABLE LEG LEVER
- 24. SWING PEDAL
- 25. LOW-HIGH PEDAL
- 26. P.T.O. PEDAL
- 27. ARMREST
- 28. CONTROL VALVE PLATE

## FRAME

- 29. TRAVEL FRAME(US,AS,NZ)
- 92. (29A)TRAVEL FRAME(SG)
- 30. TURNING FRAME & TURNING BEARING

## COVER

- 31. COVER(TRAVEL FRAME)

# Contents

OCS10-M49501

Fig. No. Fig. Name

- 32. COVER(TURNING FRAME)
- 33. COVER(BOOM HOSE)
- 35. SIDE COVER

## AROUND SEAT

- 34. COVER(SEAT MOUNT)
- 36. STEP
- 37. INSTRUMENT PANEL
- 38. SEAT & SEAT BELT(TO M0H578)
- 96. (38A)SEAT(FROM M0H579)
- 97. (38B)SEAT BELT(FROM M0H579)
- 39. SEAT MOUNT

## BONNET

- 40. BONNET

## CANOPY

- 41. CANOPY

## HYDRAULIC OIL EQUIPMENT

- 42. HYDRAULIC PUMP & JOINT(K SPEC.)(TO M09713)
- 90. (42A)HYDRAULIC PUMP & JOINT( F SPEC.)(FROM M09714)
- 43. BOOM CYLINDER
- 44. ARM CYLINDER
- 45. BUCKET CYLINDER

Fig. No. Fig. Name

- 46. SWING CYLINDER
- 47. BLADE CYLINDER
- 48. VARIABLE LEG WIDEN / SHORTEN CYLINDER
- 49. TRAVEL MOTOR
- 50. TURNING MOTOR
- 51. SWIVEL JOINT(Y SPEC.)(TO M08198)
- 89. (51A)SWIVEL JOINT(N SPEC.)(FROM M08199)
- 52. CONTROL VALVE(1/7)
- 53. CONTROL VALVE(2/7)
- 54. CONTROL VALVE(3/7)
- 55. CONTROL VALVE(4/7)
- 56. CONTROL VALVE(5/7)
- 57. CONTROL VALVE(6/7)
- 58. CONTROL VALVE(7/7)
- 59. 2-WAY VALVE
- 86. (59A)4-WAY VALVE
- 60. REMOTE CONTROL VALVE
- 61. STOP VALVE
- 62. HYD. OIL TANK

## HYDRAULIC OIL PIPING

- 63. TANK - PUMP - CONTROL VALVE(TO M09713)
- 91. (63A)TANK - PUMP - CONTROL VALVE(F SPEC.)(FROM M09714)
- 64. TRAVEL FRAME
- 65. CONTROL VALVE - SWIVEL JOINT

# Contents

0CS10-M49501

Fig. No. Fig. Name

- 66. CONTROL VALVE - BOOM
- 67. CONTROL VALVE - TURNING MOTOR
- 68. CONTROL VALVE - SWING CYLINDER
- 69. RESERVOIR
- 70. CONTROL VALVE - RETURN & DRAIN
- 71. CONTROL VALVE(FITTING)
- 72. P.T.O.
- 73. CONTROL PIPING(1)
- 74. CONTROL PIPING(2)(2-WAY SPEC.)
- 87. (74A)CONTROL PIPING(2)(4-WAY SPEC.)
- 75. GREASING

## IMPLEMENT

- 76. BOOM BRACKET
- 77. BOOM
- 78. ARM
- 79. BUCKET ARM & LINK
- 80. BUCKET
- 81. BLADE

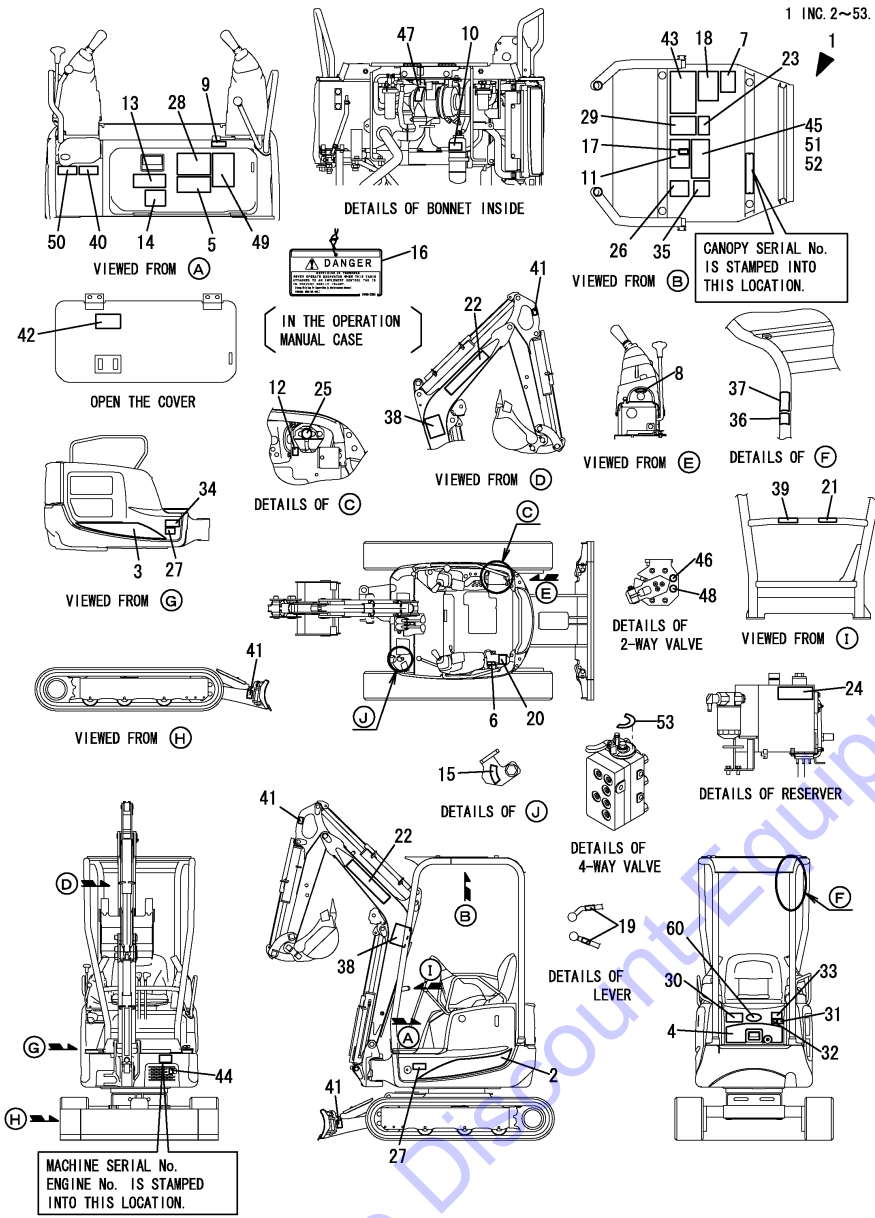
## OPTIONAL & KIT

- 82. SWIVEL JOINT EXCHANGE KIT
- 83. SWIVEL JOINT HOSE EXCHANGE KIT
- 84. WEIGHT KIT(OPTIONAL)
- 88. LABEL KIT(FOR CANADA)(OPTIONAL)

Fig. No. Fig. Name

Go to Discount-Equipment.com to order your parts

Fig.1. LABEL(TO M0F000)

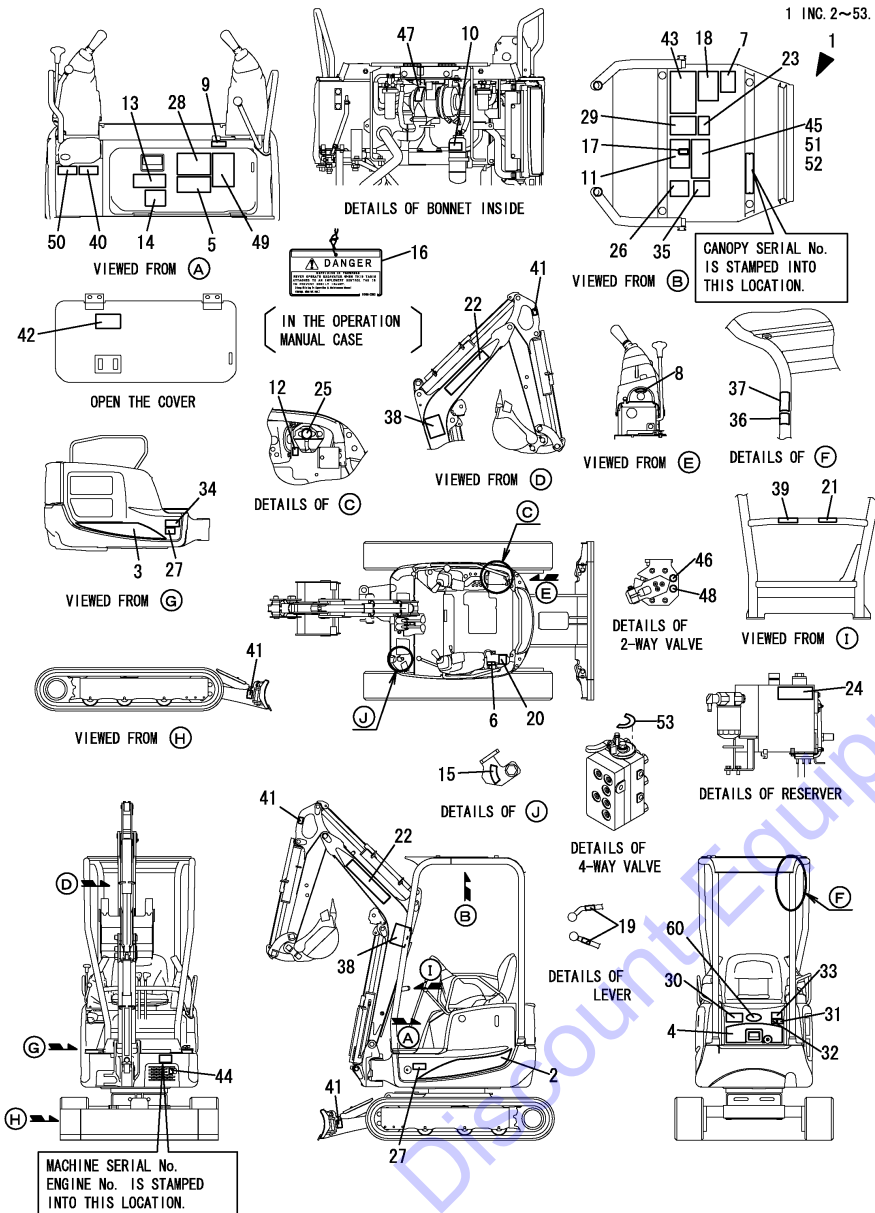


(A)=VIO17(US)  
 (B)=VIO17(AS)  
 (C)=VIO17(NZ)  
 (D)=VIO17(SG)  
 (E)=  
 (F)=

No.	Lev.	Parts No.	Description	Q'ty						I	R
				(A)	(B)	(C)	(D)	(E)	(F)		
1	1	172A64-08320	LABEL SET,VIO17(US)	1	1	1	1				
1-1	1	172A64-08220	LABEL KIT,VIO17US SG	1	1	1	1				S
		(A=M07001) (B=M07001) (C=M07001) (D=M07001)									
2	2	172A64-03130	LABEL,VIO17 LEFT	1	1	1	1				
2-1	2	172A64-03230	LABEL,MODEL L	1	1	1	1				N
		(A=M07001) (B=M07001) (C=M07001) (D=M07001)									
3	2	172A64-03140	LABEL,VIO17 RIGHT	1	1	1	1				
3-1	2	172A64-03240	LABEL,MODEL R	1	1	1	1				N
		(A=M07001) (B=M07001) (C=M07001) (D=M07001)									
4	2	172A64-03150	LABEL,VIO17 REAR	1	1	1	1				
5	2	172472-03141	LABEL, SUPPORT	1	1	1	1				
6	2	172519-03150	LABEL, ACCEL	1	1	1	1				
7	2	172472-03160	LABEL,GREASE	1	1	1	1				
8	2	172157-03170	LABEL, KEY SWITCH	1	1	1	1				
8-1	2	172A64-03700	LABEL, START SWITCH	1	1	1	1				N
		(A=M/# 01110) (B=M/# 01110) (C=M/# 01110) (D=M/# 01110)									
9	2	172A64-03180	LABEL,W/S OPERATION	1	1	1	1				
10	2	172A38-03201	LABEL, SUB TANK	1	1	1	1				
11	2	172490-03200	LABEL, OPERATION	1	1	1	1				
12	2	172A38-03211	LABEL, ANTI-FREEZING	1	1	1	1				
13	2	172A64-03211	LABEL,SPECIFICATION	1	1	1	1				
14	2	172437-03242	LABEL, CRAWLER	1	1	1	1				
15	2	172458-03240	LABEL, LOCK	1	1	1	1				
16	2	172437-03252	TAG ASSY, CAUTION	1	1	1	1				
17	2	172496-03250	LABEL, PTO	1	1	1	1				
18	2	172A64-03270	LABEL,OIL & WATER	1	1	1	1				
19	2	172183-03280	LABEL, LOCK	2	2	2	2				
20	2	172463-03290	LABEL, HYD.OIL	1	1	1	1				
21	2	172437-03302	LABEL, MANUAL	1	1	1	1				
22	2	172A55-03310	LABEL, BRAND 450	2	2	2	2				
22-1	2	172A86-03310	LABEL,YANMAR	2	2	2	2				N
		(A=M07001) (B=M07001) (C=M07001) (D=M07001)									
23	2	172437-03312	LABEL, SLOPE	1	1	1	1				
24	2	172437-03322	LABEL, RESEVOIR	1	1	1	1				
25	2	172462-03320	LABEL, RADIATOR	1	1	1	1				
26	2	172437-03343	LABEL, TRANSPORT	1	1	1	1				
27	2	172437-03352	LABEL, CYLINDER	2	2	2	2				
28	2	172437-03361	LABEL, BATTERY	1	1	1	1				
29	2	172437-03372	LABEL, NEUTRAL	1	1	1	1				
30	2	172A64-03380	LABEL,SWING AREA US	1	1	1	1				
31	2	172437-03391	LABEL, RADIATOR	1	1	1	1				
32	2	172437-03402	LABEL, ENGINE COVER	1	1	1	1				
33	2	172A36-03411	LABEL, ENGINE ROOM	1	1	1	1				
34	2	172437-03422	LABEL, MUFFLER	1	1	1	1				
35	2	172437-03432	LABEL, STEERING	1	1	1	1				
36	2	172437-03441	LABEL, ROPS	1	1	1	1				
37	2	172437-03451	LABEL, SEAT BELT	1	1	1	1				
38	2	172437-03461	LABEL, BOOM	2	2	2	2				
39	2	172437-03471	LABEL, LEVER LOCK	1	1	1	1				
40	2	172437-03501	LABEL, FUEL	1	1	1	1				
41	2	172437-03511	LABEL, HOOK	4	4	4	4				

Remarks  
 (1)2-Way specification.  
 (2)4-Way specification.

Fig.1. LABEL(TO M0F000)



(A)=VIO17(US)  
(B)=VIO17(AS)  
(C)=VIO17(NZ)

(D)=VIO17(SG)  
(E)=  
(F)=

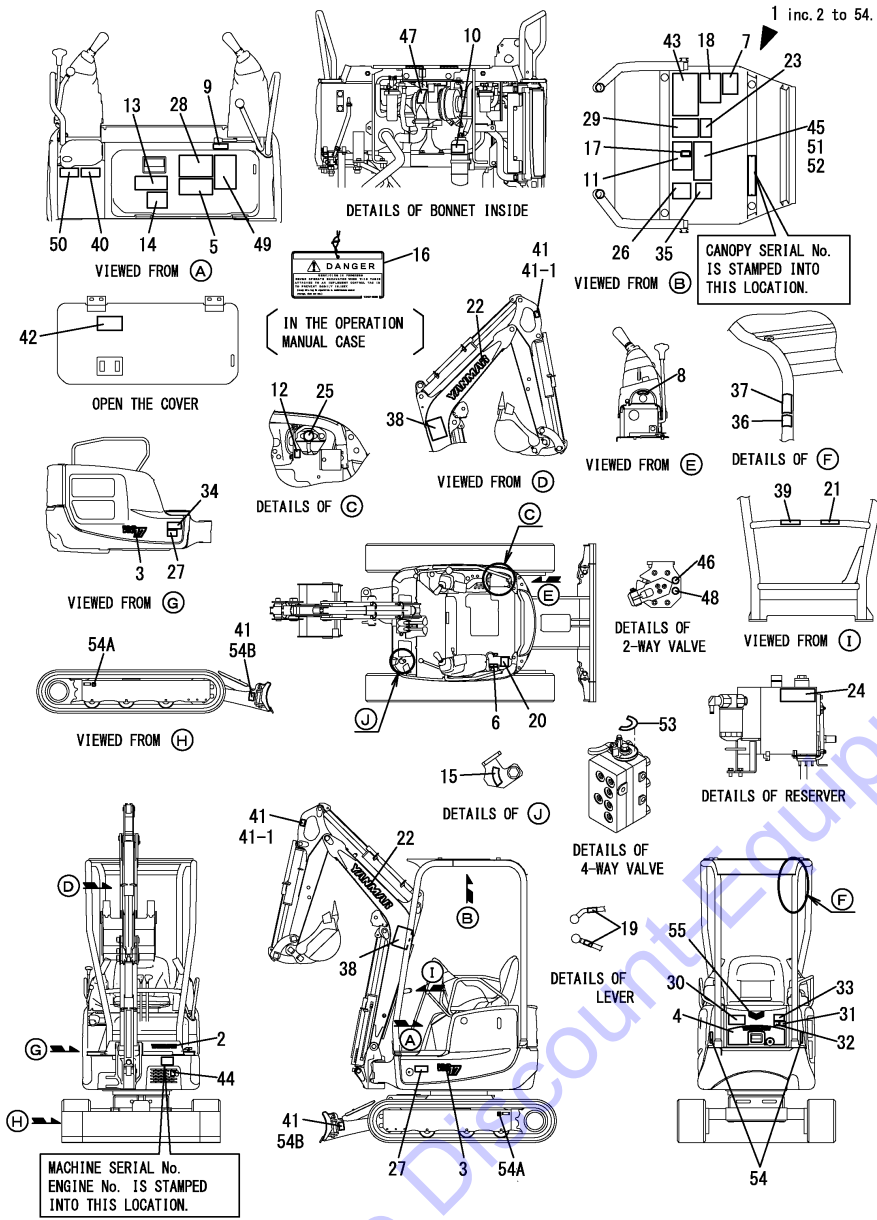
No.	Lev.	Parts No.	Description	Q'ty						I	R
				(A)	(B)	(C)	(D)	(E)	(F)		
42	2	172448-03540	LABEL,FUSE	1	1	1	1				
43	2	172A64-03560	LABEL,LIFT US	1	1	1	1				
44	2	172A55-03590	LABEL, GREASE	1	1	1	1				
44-1	2	172A55-03591	LABEL, GREASE	1	1	1	1				N
		(A=M05339)	(B=M05339)	(C=M05339)	(D=M05339)						
45	2	172437-03601	LABEL, 2-WAY US	1	1	1					1
46	2	172437-03610	LABEL	1	1	1					1
47	2	172125-03951	LABEL, AIR CLEANER	1	1	1	1				
48	2	172437-03620	LABEL	1	1	1					1
49	2	172446-03652	LABEL, VARIABLE US	1	1	1	1				
50	2	114110-07760	LABEL, FUEL CAUTION	1	1	1	1				W
		(A=M/# 01435)	(B=M/# 01435)	(C=M/# 01435)	(D=M/# 01435)						
50-1	2	114110-07761	LABEL, FUEL OIL CAUT	1	1	1	1				N
		(A=M04325)	(B=M04325)	(C=M04325)	(D=M04325)						
51	2	172444-03290	MAGNET					1			2
52	2	172A47-03410	LABEL,4 WAY US					1			2
53	2	172A64-03600	LABEL,MULTI SG					1			2
60	1	172A64-03050	EMBLEM ASSY	1	1	1	1				W
		(A=M07001)	(B=M07001)	(C=M07001)	(D=M07001)						

Remarks  
(1)2-Way specification.  
(2)4-Way specification.

Fig.95. (1A)LABEL(FROM M0F001)

(A)=VIO17(US)  
(B)=VIO17(AS)  
(C)=VIO17(NZ)

(D)=VIO17(SG)  
(E)=  
(F)=



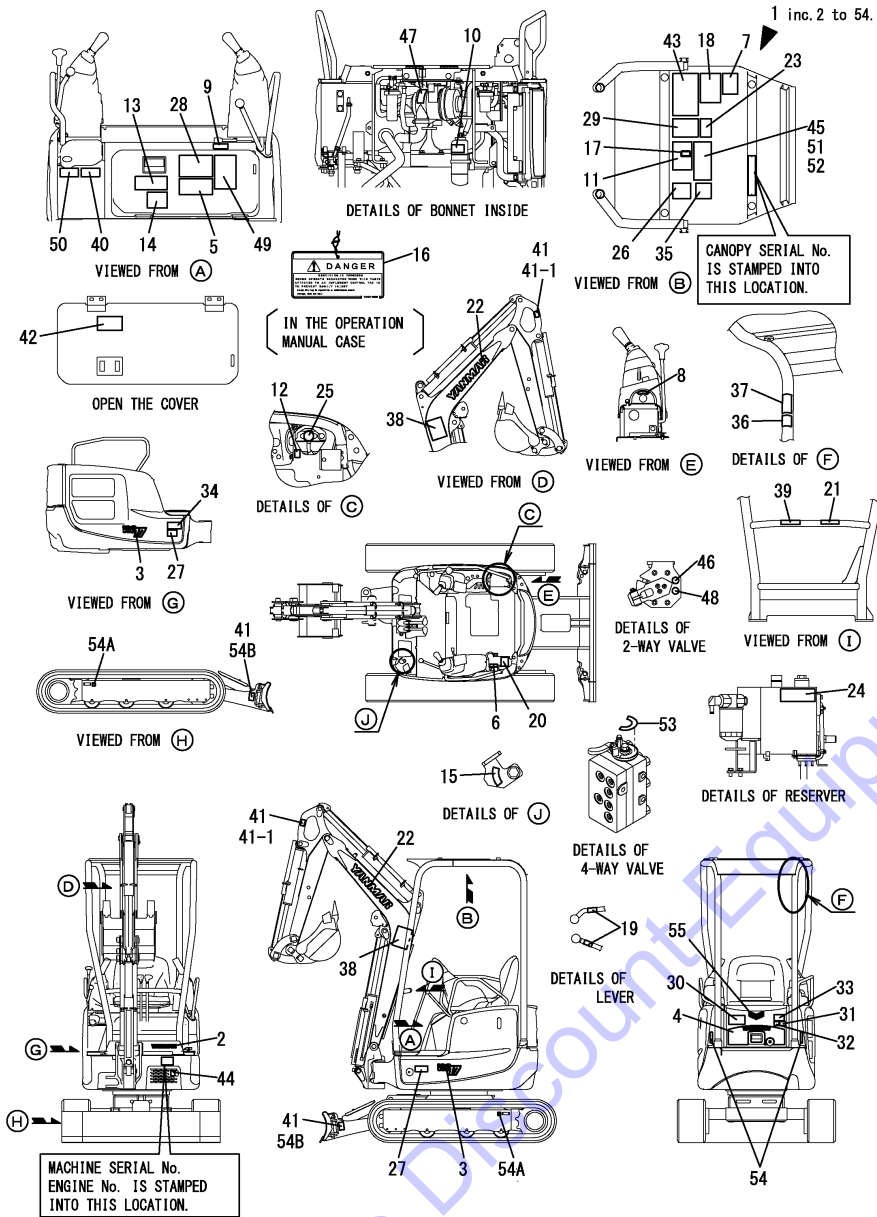
No.	Lev.	Parts No.	Description	Q'ty						I	R	
				(A)	(B)	(C)	(D)	(E)	(F)			
1	1	172A64-08221	LABEL KIT,VIO17US SG	1	1	1	1					
2	2	172B16-03180	LABEL,BRANDLOGO 200	1	1	1	1					
3	2	172A64-03470	LABEL,MODEL VIO17	2	2	2	2					
4	2	172A64-03790	LABEL,REAR	1	1	1	1					
5	2	172472-03141	LABEL,SUPPORT	1	1	1	1					
6	2	172519-03150	LABEL,ACCEL	1	1	1	1					
7	2	172472-03160	LABEL,GREASE	1	1	1	1					
8	2	172A64-03700	LABEL,START SWITCH	1	1	1	1					
9	2	172A64-03180	LABEL,W/S OPERATION	1	1	1	1					
10	2	172A38-03201	LABEL,SUB TANK	1	1	1	1					
11	2	172490-03200	LABEL,OPERATION	1	1	1	1					
12	2	172A38-03211	LABEL,ANTI-FREEZING	1	1	1	1					
13	2	172A64-03211	LABEL,SPECIFICATION	1	1	1	1					
14	2	172437-03242	LABEL,CRAWLER	1	1	1	1					
15	2	172458-03240	LABEL,LOCK	1	1	1	1					
16	2	172437-03252	TAG ASSY, CAUTION	1	1	1	1					
17	2	172496-03250	LABEL, PTO	1	1	1	1					
18	2	172A64-03270	LABEL,OIL & WATER	1	1	1	1					
19	2	172183-03280	LABEL, LOCK	2	2	2	2					
20	2	172463-03290	LABEL, HYD.OIL	1	1	1	1					
21	2	172437-03302	LABEL, MANUAL	1	1	1	1					
22	2	172A86-03790	LABEL,YANMAR	2	2	2	2					
23	2	172437-03312	LABEL, SLOPE	1	1	1	1					
24	2	172437-03322	LABEL, RESEVOIR	1	1	1	1					
25	2	172462-03320	LABEL, RADIATOR	1	1	1	1					
26	2	172437-03343	LABEL, TRANSPORT	1	1	1	1					
27	2	172437-03352	LABEL, CYLINDER	2	2	2	2					
28	2	172437-03361	LABEL, BATTERY	1	1	1	1					
29	2	172437-03372	LABEL, NEUTRAL	1	1	1	1					
30	2	172A64-03380	LABEL,SWING AREA US	1	1	1	1					
31	2	172437-03391	LABEL, RADIATOR	1	1	1	1					
32	2	172437-03402	LABEL, ENGINE COVER	1	1	1	1					
33	2	172A36-03411	LABEL, ENGINE ROOM	1	1	1	1					
34	2	172437-03422	LABEL, MUFFLER	1	1	1	1					
35	2	172437-03432	LABEL, STEERING	1	1	1	1					
36	2	172437-03441	LABEL, ROPS	1	1	1	1					
37	2	172437-03451	LABEL, SEAT BELT	1	1	1	1					
38	2	172437-03461	LABEL, BOOM	2	2	2	2					
39	2	172437-03471	LABEL, LEVER LOCK	1	1	1	1					
40	2	172437-03501	LABEL, FUEL	1	1	1	1					
41	2	172437-03511	LABEL, LIFTING	4	4	4	4					
41-1	2	172437-03511	LABEL, LIFTING	2	2	2	2				K	
				(A=M0N983)	(B=M0N983)	(C=M0N983)	(D=M0N983)					
42	2	172448-03540	LABEL,FUSE	1	1	1	1					
43	2	172A64-03560	LABEL,LIFT US	1	1	1	1					
44	2	172A55-03591	LABEL, GREASE	1	1	1	1					
45	2	172437-03601	LABEL, 2-WAY US	1	1	1	1				1	
46	2	172437-03610	LABEL	1	1	1	1				1	
47	2	172125-03951	LABEL, AIR CLEANER	1	1	1	1					
48	2	172437-03620	LABEL	1	1	1	1				1	
49	2	172446-03652	LABEL, VARIABLE US	1	1	1	1					

Remarks  
(1)2-Way specification.  
(2)4-Way specification.

Fig.95. (1A)LABEL(FROM M0F001)

(A)=VIO17(US)  
(B)=VIO17(AS)  
(C)=VIO17(NZ)

(D)=VIO17(SG)  
(E)=  
(F)=



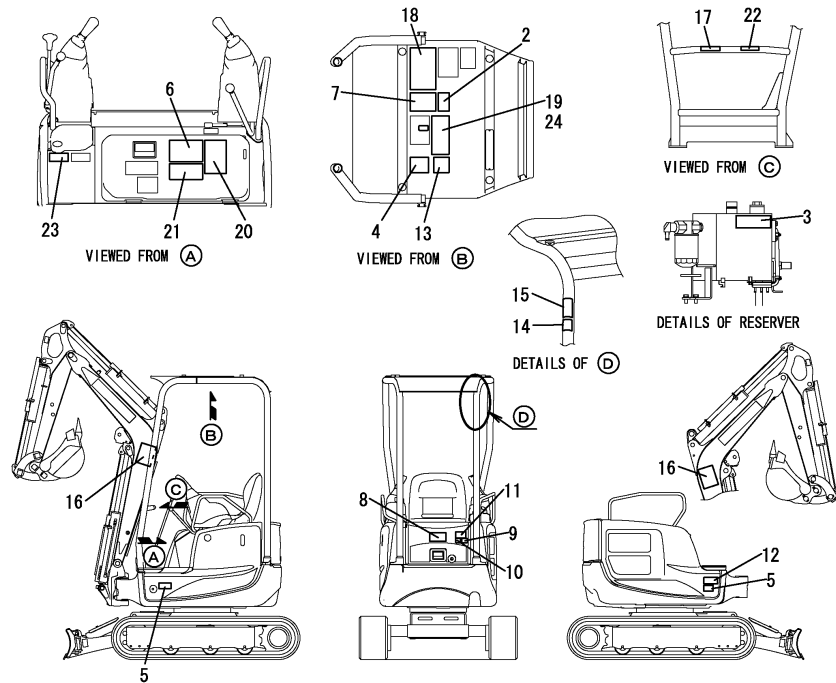
No.	Lev.	Parts No.	Description	Q'ty						I	R
				(A)	(B)	(C)	(D)	(E)	(F)		
50	2	114110-07761	LABEL, FUEL OIL CAUT	1	1	1	1				
51	2	172444-03290	MAGNET				1				2
52	2	172A47-03410	LABEL,4 WAY US				1				2
53	2	172A64-03600	LABEL,MULTI SG				1				2
54	2	172B04-03970	LABEL, REFLECTOR S	2	2	2	2				
54A	1	172B03-03930	LABEL,TIE-DOWN	2	2	2	2				W
54B	1	(A=M0N983)	(B=M0N983)	(C=M0N983)	(D=M0N983)						
		172B03-03940	LABEL,LIFTING & TIE	2	2	2	2				W
55	1	(A=M0N983)	(B=M0N983)	(C=M0N983)	(D=M0N983)						
		172A64-03400	EMBLEM ASSY,FY L2 Y	1	1	1	1				

Remarks  
(1)2-Way specification.  
(2)4-Way specification.

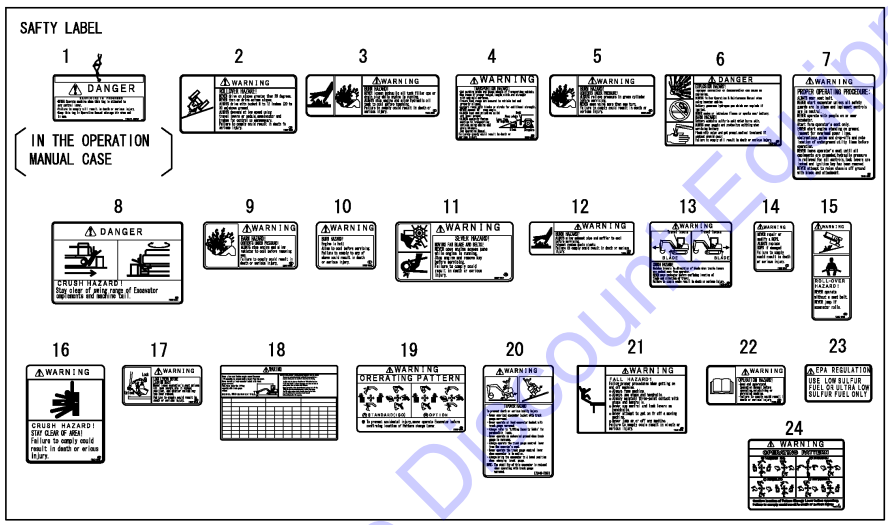
Fig.2. LABEL(SAFETY)

(A)=VIO17(US)  
(B)=VIO17(AS)  
(C)=VIO17(NZ)

(D)=VIO17(SG)  
(E)=  
(F)=



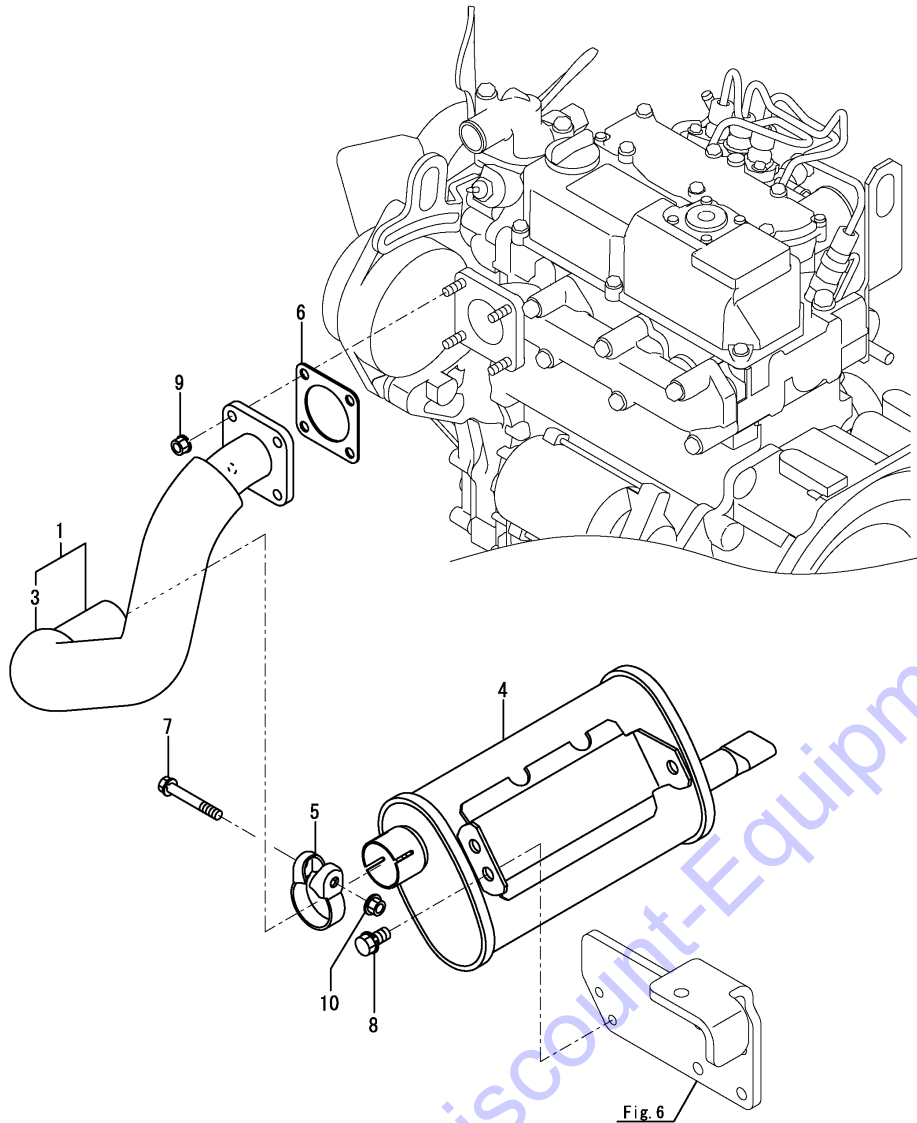
No.	Lev.	Parts No.	Description	Q'ty						I	R
				(A)	(B)	(C)	(D)	(E)	(F)		
1	1	172437-03252	TAG ASSY, CAUTION	1	1	1	1				
2	1	172437-03312	LABEL, SLOPE	1	1	1	1				
3	1	172437-03322	LABEL, RESEVOIR	1	1	1	1				
4	1	172437-03343	LABEL, TRANSPORT	1	1	1	1				
5	1	172437-03352	LABEL, CYLINDER	2	2	2	2				
6	1	172437-03361	LABEL, BATTERY	1	1	1	1				
7	1	172437-03372	LABEL, NEUTRAL	1	1	1	1				
8	1	172A64-03380	LABEL, SWING AREA US	1	1	1	1				
9	1	172437-03391	LABEL, RADIATOR	1	1	1	1				
10	1	172437-03402	LABEL, ENGINE COVER	1	1	1	1				
11	1	172A36-03411	LABEL, ENGINE ROOM	1	1	1	1				
12	1	172437-03422	LABEL, MUFFLER	1	1	1	1				
13	1	172437-03432	LABEL, STEERING	1	1	1	1				
14	1	172437-03441	LABEL, ROPS	1	1	1	1				
15	1	172437-03451	LABEL, SEAT BELT	1	1	1	1				
16	1	172437-03461	LABEL, BOOM	2	2	2	2				
17	1	172437-03471	LABEL, LEVER LOCK	1	1	1	1				
18	1	172A64-03560	LABEL, LIFT US	1	1	1	1				
19	1	172437-03601	LABEL, 2-WAY US	1	1	1	1				1
20	1	172446-03652	LABEL, VARIABLE US	1	1	1	1				
21	1	172472-03141	LABEL, SUPPORT	1	1	1	1				
22	1	172437-03302	LABEL, MANUAL	1	1	1	1				
23	1	114110-07760	LABEL, FUEL CAUTION	1	1	1	1				W
		(A=M/# 01435) (B=M/# 01435) (C=M/# 01435) (D=M/# 01435)									
23-1	1	114110-07761	LABEL, FUEL OIL CAUT	1	1	1	1				N
		(A=M04325) (B=M04325) (C=M04325) (D=M04325)									
24	1	172A47-03410	LABEL, 4 WAY US							1	2



Remarks  
(1)2-Way specification.  
(2)4-Way specification.



Fig.3. SILENCER



(A)=VIO17(US)  
 (B)=VIO17(AS)  
 (C)=VIO17(NZ)

(D)=VIO17(SG)  
 (E)=  
 (F)=

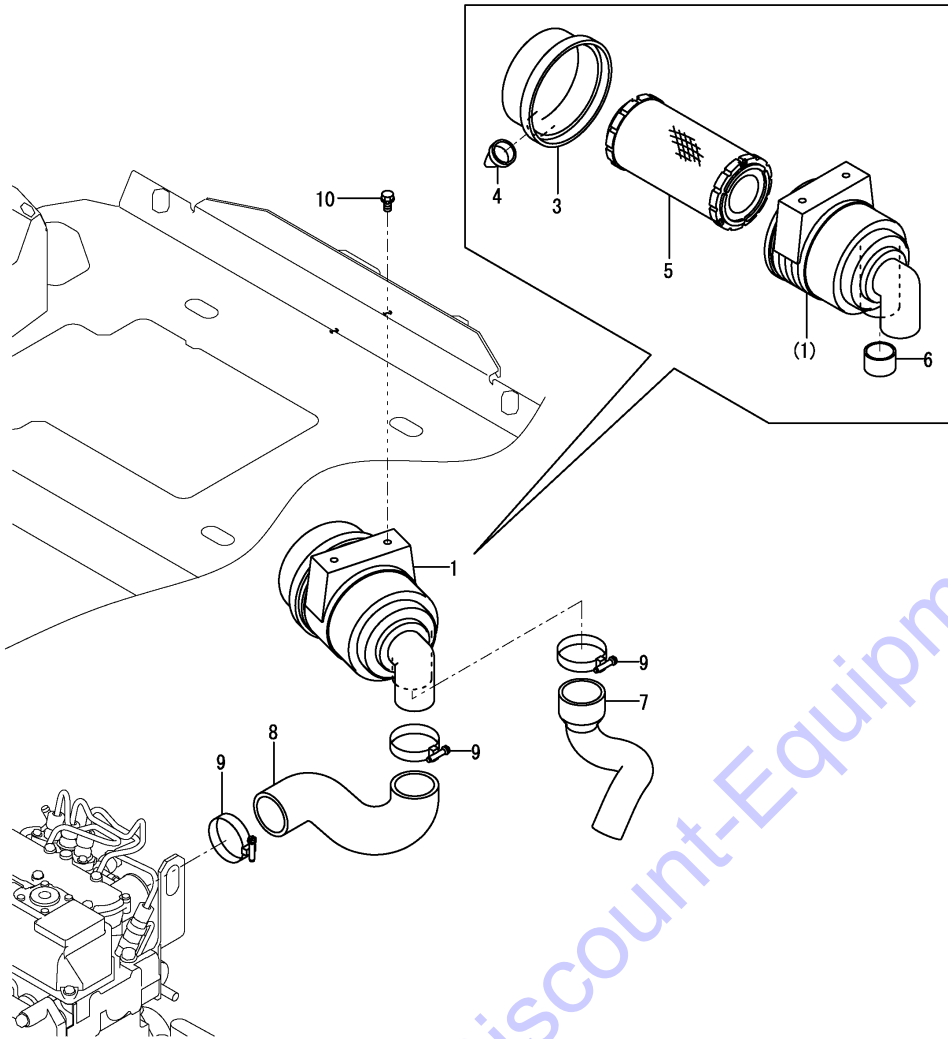
No.	Lev.	Parts No.	Description	Q'ty						I	R
				(A)	(B)	(C)	(D)	(E)	(F)		
1	1	172A64-11310	PIPE ASSY, INLET	1	1	1	1				
3	2	172183-11400	INSULATOR	1	1	1	1				
4	1	172A64-11330	SILENCER ASSY	1	1	1	1				
5	1	172A64-11340	CLAMP	1	1	1	1				
6	1	124701-11911	GASKET, SILENCER	1	1	1	1				
7	1	26013-080552	BOLT, M8X 55	1	1	1	1				
8	1	26013-100162	BOLT, M10X 16	3	3	3	3				
9	1	26051-080002	NUT, M8	4	4	4	4				
10	1	26366-080002	NUT, M8	1	1	1	1				

Go to Discount-Equipment.com to order your parts

Fig.4. AIR CLEANER

(A)=VIO17(US)  
 (B)=VIO17(AS)  
 (C)=VIO17(NZ)

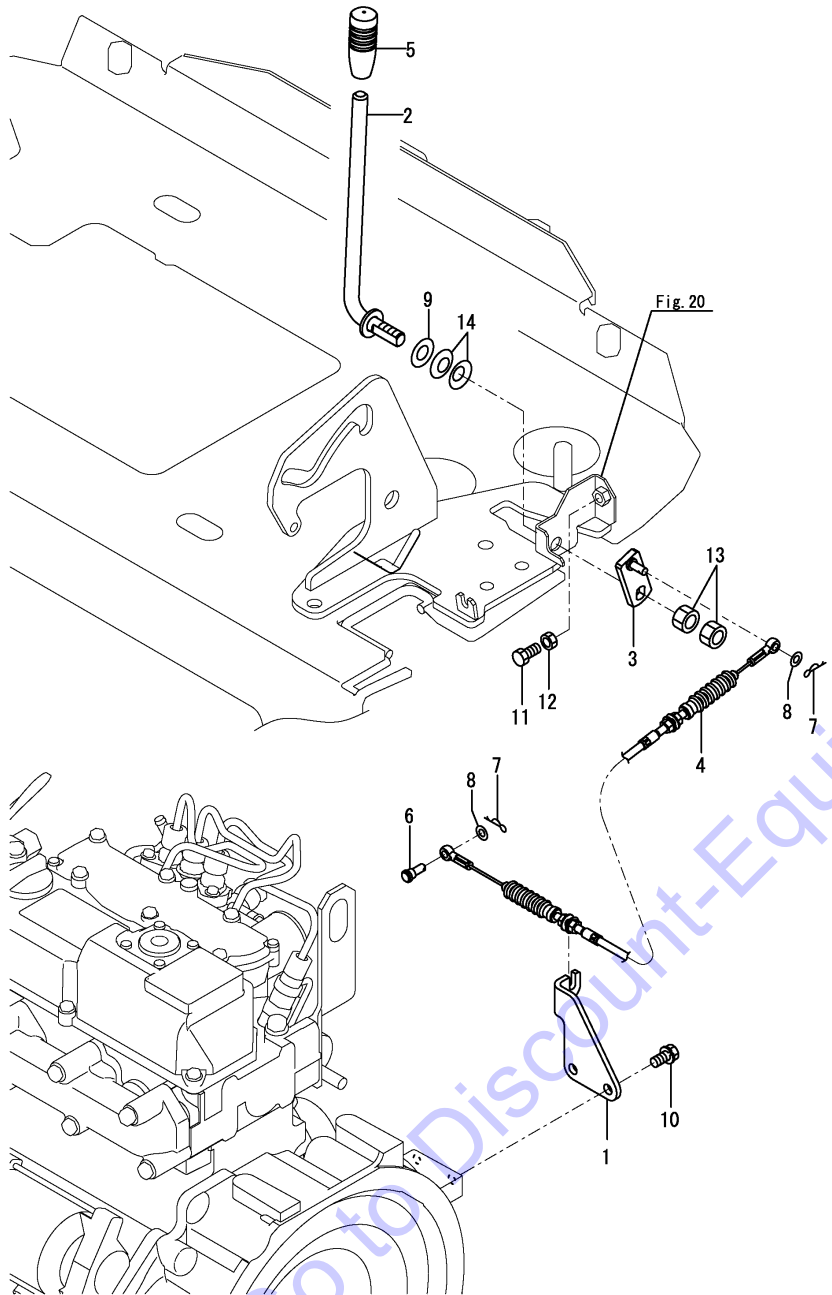
(D)=VIO17(SG)  
 (E)=  
 (F)=



No.	Lev.	Parts No.	Description	Q'ty						I	R
				(A)	(B)	(C)	(D)	(E)	(F)		
1	1	172448-11500	CLEANER ASSY, AIR	1	1	1	1				
3	2	119258-12530	COVER ASSY	1	1	1	1				
4	2	119808-12540	VALVE, UNLOAD	1	1	1	1				
5	2	119655-12560	ELEMENT	1	1	1	1				
6	2	105027-12580	RING, VALVE	1	1	1	1				
7	1	172A64-11520	HOSE A, AIR CLEANER	1	1	1	1				
8	1	172A64-11530	HOSE B, AIR CLEANER	1	1	1	1				
8-1	1	172A64-11531	HOSE, AIR CLEANER B	1	1	1	1				N
		(A=M0A488) (B=M0A488) (C=M0A488) (D=M0A488)									
9	1	23000-060000	CLAMP, 60	3	3	3	3				
10	1	26013-080162	BOLT, M8X 16	2	2	2	2				

Go to Discount-Equipment.com to order your parts

Fig.5. ACCELERATOR LEVER



(A)=VIO17(US)  
 (B)=VIO17(AS)  
 (C)=VIO17(NZ)

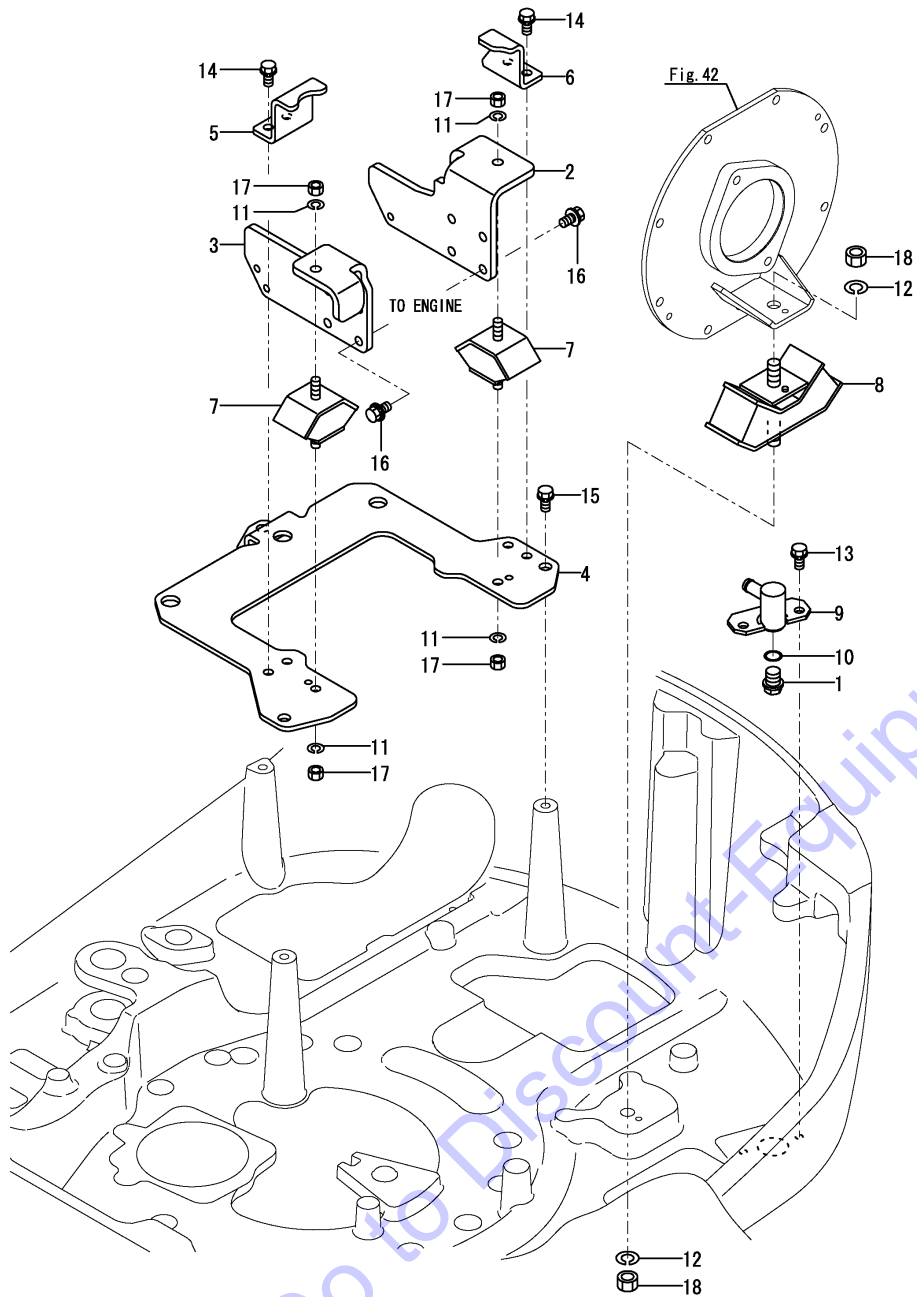
(D)=VIO17(SG)  
 (E)=  
 (F)=

No.	Lev.	Parts No.	Description	Q'ty						I	R
				(A)	(B)	(C)	(D)	(E)	(F)		
1	1	172A64-12100	BRACKET,WIRE	1	1	1	1				
2	1	172A64-12140	LEVER ASSY,ACCEL	1	1	1	1				
3	1	172A64-12180	ARM ASSY	1	1	1	1				
3-1	1	172A64-12181	ARM ASSY	1	1	1	1				N
		(A=M04322)	(B=M04322)	(C=M04322)	(D=M04322)						
4	1	172A64-12200	CABLE, ACCELERATOR	1	1	1	1				
5	1	172498-12250	GRIP, ACCELERATOR	1	1	1	1				
6	1	172113-12522	PIN, CABLE	1	1	1	1				
7	1	1C6281-52310	PIN, SNAP 6	2	2	2	2				
8	1	22137-060000	WASHER, 6	2	2	2	2				
9	1	22137-120000	WASHER, 12	1	1	1	1				
9-1	1	172653-73200	WASHER, 12.5X26	1	1	1	1				N
		(A=M04322)	(B=M04322)	(C=M04322)	(D=M04322)						
10	1	26013-080162	BOLT, M8X 16	2	2	2	2				
11	1	26116-080252	BOLT, M8X 25 PLATED	1	1	1	1				
11-1	1	26116-080254	BOLT, M8X 25 PLATED	1	1	1	1				N
		(A=*2007.08)	(B=*2007.08)	(C=*2007.08)	(D=*2007.08)						
12	1	26716-080002	NUT, M8	1	1	1	1				
13	1	26756-120002	NUT, LOCK M12	2	2	2	2				
14	1	933170-01490	SPRING	2	2	2	2				

Fig.6. ENGINE MOUNT

(A)=VIO17(US)  
 (B)=VIO17(AS)  
 (C)=VIO17(NZ)

(D)=VIO17(SG)  
 (E)=  
 (F)=

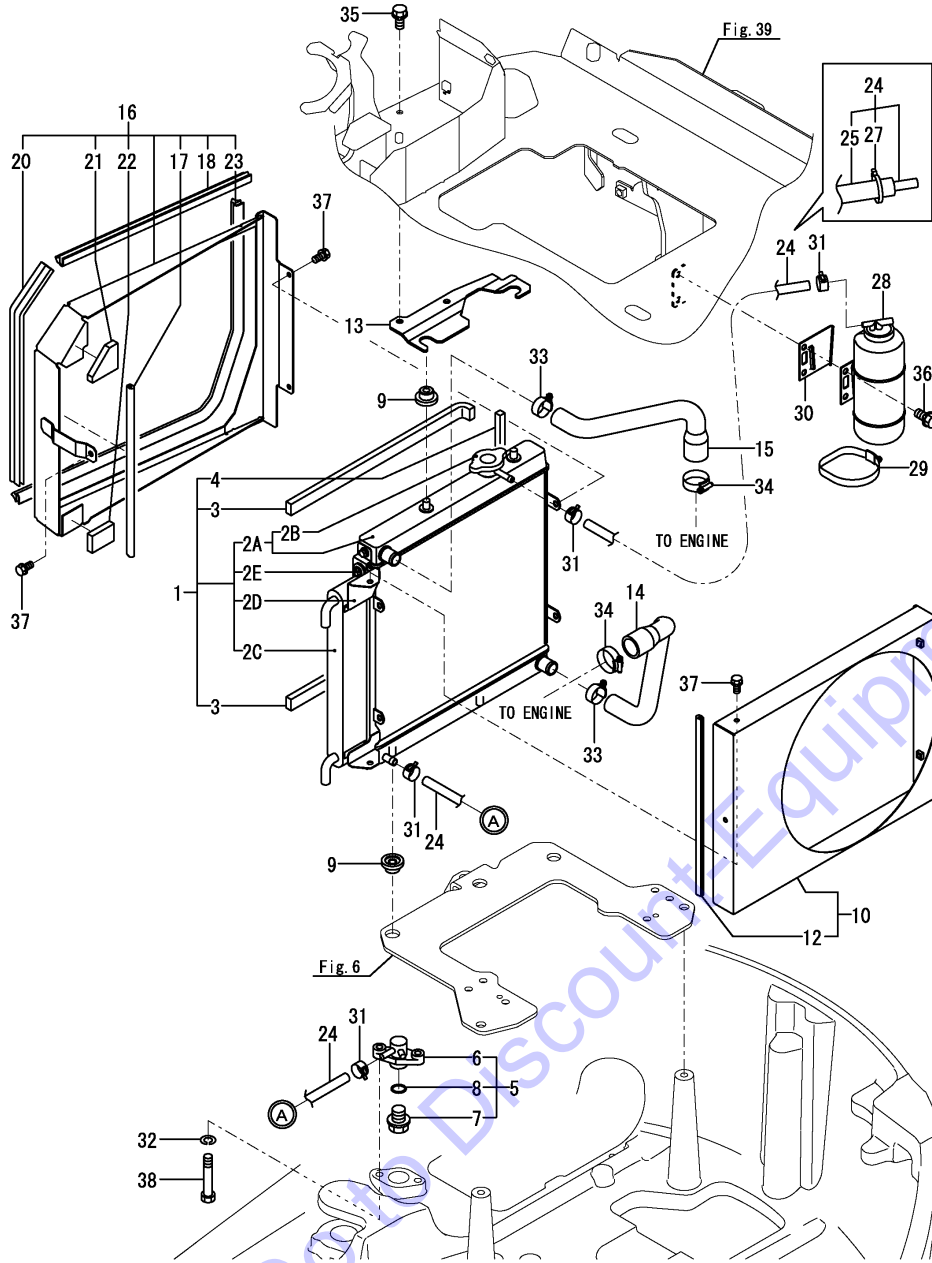


No.	Lev.	Parts No.	Description	Q'ty						I	R
				(A)	(B)	(C)	(D)	(E)	(F)		
1	1	105425-01690	PLUG, M16	1	1	1	1				
2	1	172A64-13100	MOUNT FL,ENGINE	1	1	1	1				
3	1	172A64-13110	MOUNT FR,ENGINE	1	1	1	1				
4	1	172A64-13120	MOUNT ASSY,ENGINE	1	1	1	1				
5	1	172A64-13150	STOPPER	1	1	1	1				
6	1	172A64-13160	STOPPER	1	1	1	1				
7	1	172179-13211	RUBBER, ANTI VIBRAT.	2	2	2	2				
8	1	172447-13260	ABSOBER,SHOCK 290K	1	1	1	1				
9	1	172A55-13700	BLOCK ASSY, DRAIN	1	1	1	1				
10	1	22190-160002	WASHER, SEAL 16	1	1	1	1				
11	1	22217-100000	WASHER, SPRING 10	4	4	4	4				
12	1	22217-140000	WASHER, SPRING 14	2	2	2	2				
13	1	26013-100202	BOLT, M10X 20	2	2	2	2				
14	1	26013-100252	BOLT, M10X 25	4	4	4	4				
15	1	26013-120302	BOLT, M12X 30	3	3	3	3				
16	1	26014-100252	BOLT, M10X 25	8	8	8	8				
17	1	26716-100002	NUT, M10	4	4	4	4				
18	1	26736-140002	NUT, M14	2	2	2	2				

Fig.7. RADIATOR & MOUNT

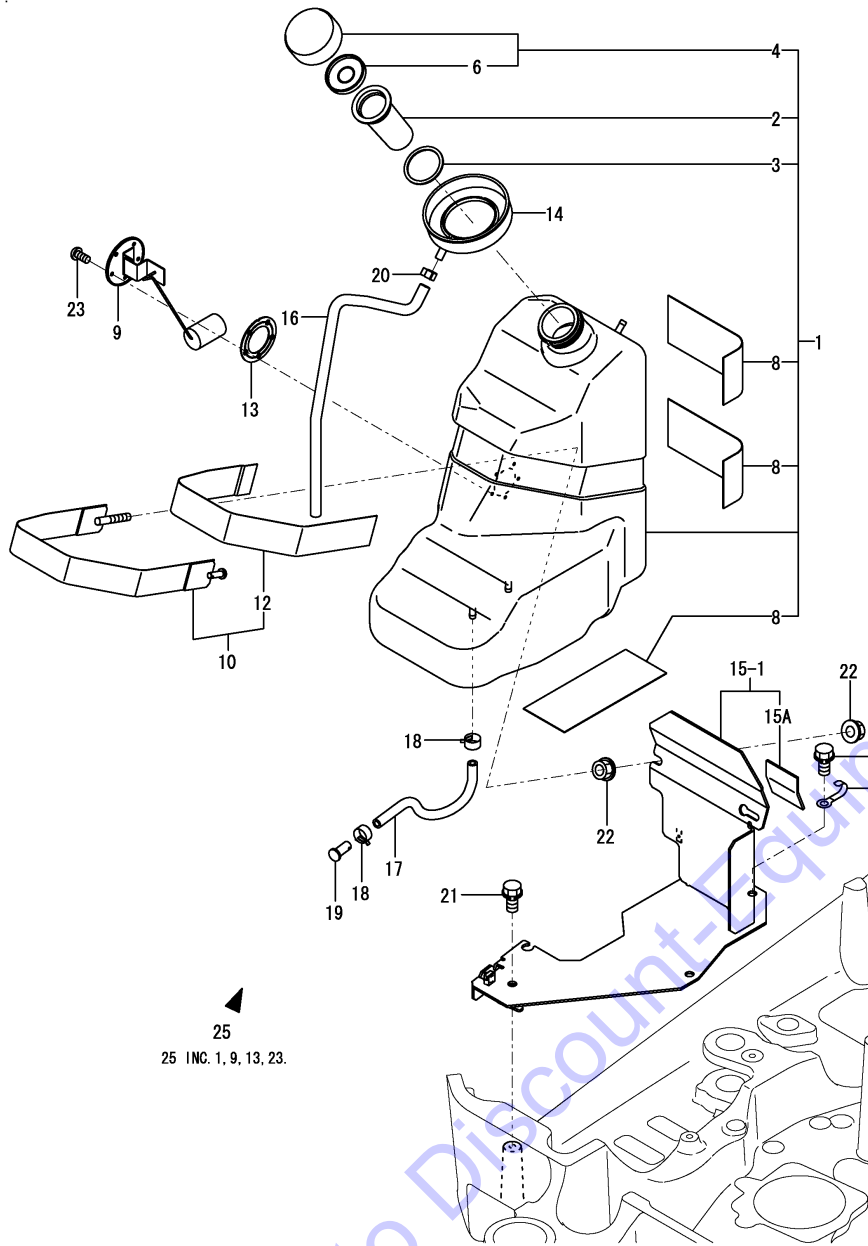
(A)=VIO17(US)  
(B)=VIO17(AS)  
(C)=VIO17(NZ)

(D)=VIO17(SG)  
(E)=  
(F)=



No.	Lev.	Parts No.	Description	Q'ty						I	R
				(A)	(B)	(C)	(D)	(E)	(F)		
1	1	172A64-13190	RADIATOR ASSY	1	1	1	1				
2A	3	172A64-13210	RADIATOR ASSY	1	1	1	1				W
		(A=M05326) (B=M05326) (C=M05326) (D=M05326)									
2B	4	172446-13450	CAP, PRESSURE	1	1	1	1				W
		(A=M05326) (B=M05326) (C=M05326) (D=M05326)									
2C	3	172A64-13220	COOLER ASSY, OIL	1	1	1	1				W
		(A=M05326) (B=M05326) (C=M05326) (D=M05326)									
2D	3	172A64-13230	SUPPORT ASSY	1	1	1	1				W
		(A=M05326) (B=M05326) (C=M05326) (D=M05326)									
2E	3	26014-060122	BOLT, M6X 12	5	5	5	5				W
		(A=M05326) (B=M05326) (C=M05326) (D=M05326)									
3	2	172A64-13310	SEAL	2	2	2	2				
4	2	172A64-13320	SEAL	1	1	1	1				
5	1	172444-13210	COCK ASSY, 2-WAY	1	1	1	1				
6	2	172444-13220	BODY	1	1	1	1				
7	2	121250-49121	PLUG, DRAIN M16	1	1	1	1				
8	2	24311-000160	O-RING, 1AP16.0	1	1	1	1				
9	1	172446-13330	ABSORBER, SHOCK	4	4	4	4				
10	1	172A64-13360	SHROUD ASSY	1	1	1	1				
12	2	172456-13480	TRIM	1	1	1	1				
13	1	172A64-13400	BRACKET ASSY,UP	1	1	1	1				
14	1	172A64-13510	PIPE, WATER	1	1	1	1				
15	1	172A64-13520	PIPE, WATER	1	1	1	1				
16	1	172A64-13700	DUCT ASSY	1	1	1	1				
17	2	172638-06710	RUBBER, CUSHION 300	1	1	1	1				
18	2	172A64-13680	SEAL	1	1	1	1				
20	2	172A64-13760	SEAL	1	1	1	1				
21	2	172A64-13770	SEAL	1	1	1	1				
22	2	172A64-13780	SEAL	1	1	1	1				
23	2	172A64-13790	SEAL	1	1	1	1				
24	1	172186-13810	HOSE ASSY	2	2	2	2				
25	2	172186-13820	TUBE, CORRUGATED	2	2	2	2				
27	2	933168-55770	BAND	4	4	4	4				
28	1	119813-44510	TANK ASSY, SUB	1	1	1	1				
29	1	124450-44550	BAND, SUB-TANK	1	1	1	1				
30	1	121256-44600	BRACKET, SUB TANK	1	1	1	1				
31	1	124766-59050	CLAMP, HOSE 11.5	4	4	4	4				
32	1	22217-080000	WASHER, SPRING 8	2	2	2	2				
33	1	23001-025000	CLAMP, HOSE 25	2	2	2	2				
34	1	23001-041000	CLAMP, HOSE 41	2	2	2	2				
35	1	26013-080162	BOLT, M8X 16	2	2	2	2				
36	1	26013-080162	BOLT, M8X 16	2	2	2	2				
37	1	26014-060122	BOLT, M6X 12	5	5	5	5				
38	1	26116-080452	BOLT, M8X 45 PLATED	2	2	2	2				

Fig.8. FUEL TANK



(A)=VIO17(US)  
(B)=VIO17(AS)  
(C)=VIO17(NZ)

(D)=VIO17(SG)  
(E)=  
(F)=

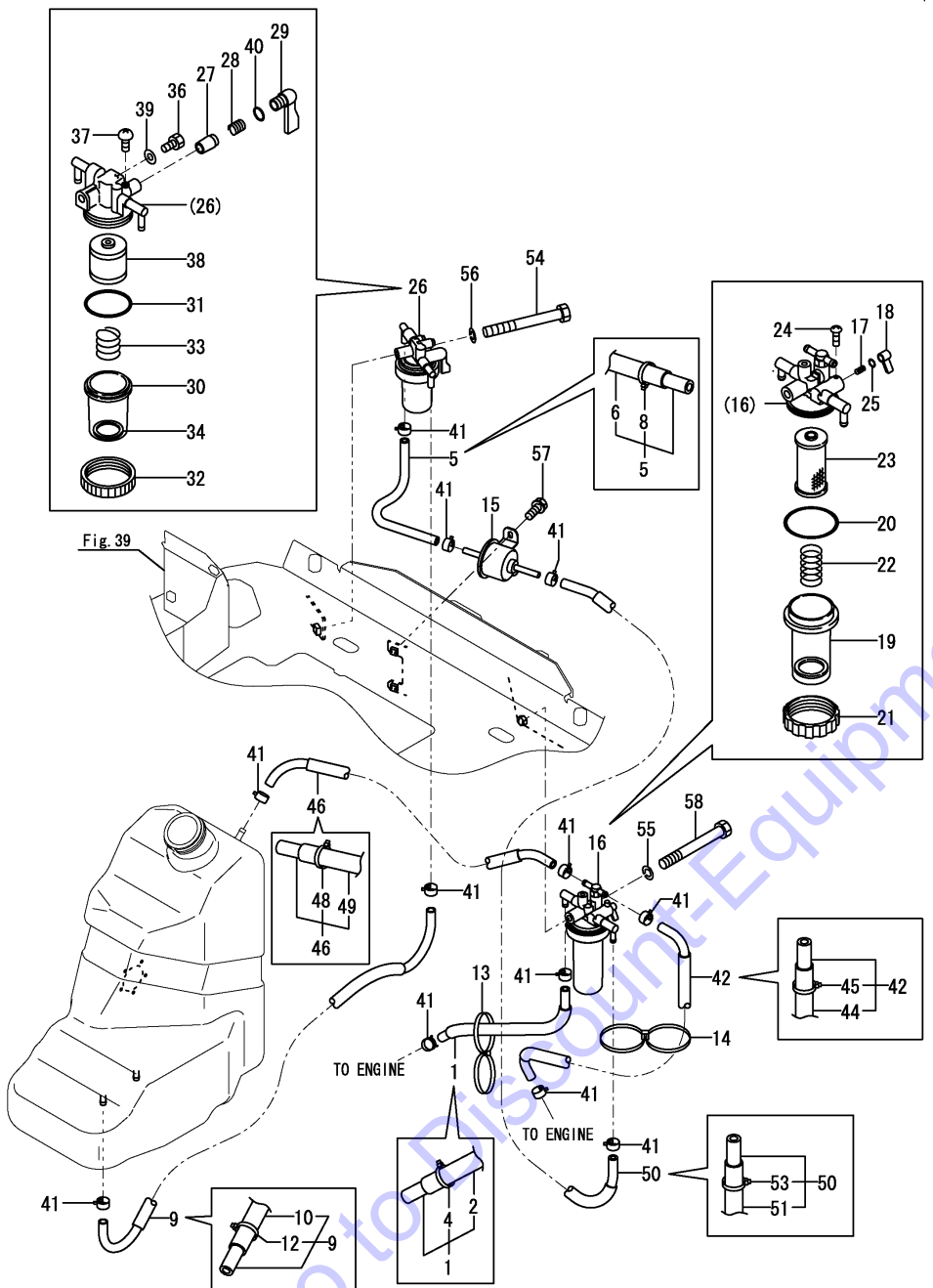
No.	Lev.	Parts No.	Description	Q'ty						I	R
				(A)	(B)	(C)	(D)	(E)	(F)		
1	1	172A64-14110	TANK ASSY, FUEL	1	1	1	1				
1-1	1	172A64-14111	TANK ASSY, FUEL	1	1	1	1				R
		(A=M00805) (B=M00805) (C=M00805) (D=M00805)									
2	2	194151-04141	STRAINER, FUEL	1	1	1	1				
3	2	194151-04150	GASKET, STRAINER	1	1	1	1				
4	2	194250-04301	CAP ASSY, FUEL TANK	1	1	1	1				
6	3	194250-04321	VALVE, VENT	1	1	1	1				
8	2	172A29-62900	RUBBER PLATE A	3	3	3	3				
9	1	172456-14151	GAUGE, FUEL	1	1	1	1				
9-1	1	172456-14152	GAUGE, FUEL	1	1	1	1				R
		(A=M01630) (B=M01630) (C=M01630) (D=M01630)									
10	1	172A64-14200	CLAMP ASSY, FUEL	1	1	1	1				
12	2	172A64-14230	PLATE, RUBBER	1	1	1	1				
13	1	172162-14200	GASKET	1	1	1	1				
14	1	172458-14370	SUMP, FUEL	1	1	1	1				
15	1	172A64-14410	MOUNT ASSY,FUEL OEL	1	1	1	1				
15-1	1	172A64-14400	MOUNT ASSY,FUEL OIL	1	1	1	1				N
		(A=M00545) (B=M00545) (C=M00545) (D=M00545)									
15A	2	172446-14250	PLATE, RUBBER	1	1	1	1				
16	1	172455-14470	HOSE	1	1	1	1				
17	1	172171-14610	HOSE, FUEL	1	1	1	1				
18	1	124766-59050	CLAMP, HOSE 11.5	2	2	2	2				
19	1	22487-080160	PIN, H 8X 16	1	1	1	1				
20	1	23080-013000	CLAMP, 13	1	1	1	1				
21	1	26013-100202	BOLT, M10X 20	3	3	3	3				
22	1	26367-100002	NUT, M10	2	2	2	2				
23	1	26557-050122	SCREW, M5X12	5	5	5	5				
23-1	1	26022-050122	SCREW, M5X12	5	5	5	5				N
		(A=*2010.11) (B=*2010.11) (C=*2010.11) (D=*2010.11)									
24	1	172126-16540	CLAMP	1	1	1	1				
25	1	172A64-08370	FUEL OIL TANK KIT	1	1	1	1				W 1
		(A=M00501) (B=M00501) (C=M00501) (D=M00501)									

Remarks  
(1)Order No.1, 9, 13 & 23.

Fig.9. FUEL PIPING

(A)=VIO17(US)  
(B)=VIO17(AS)  
(C)=VIO17(NZ)

(D)=VIO17(SG)  
(E)=  
(F)=



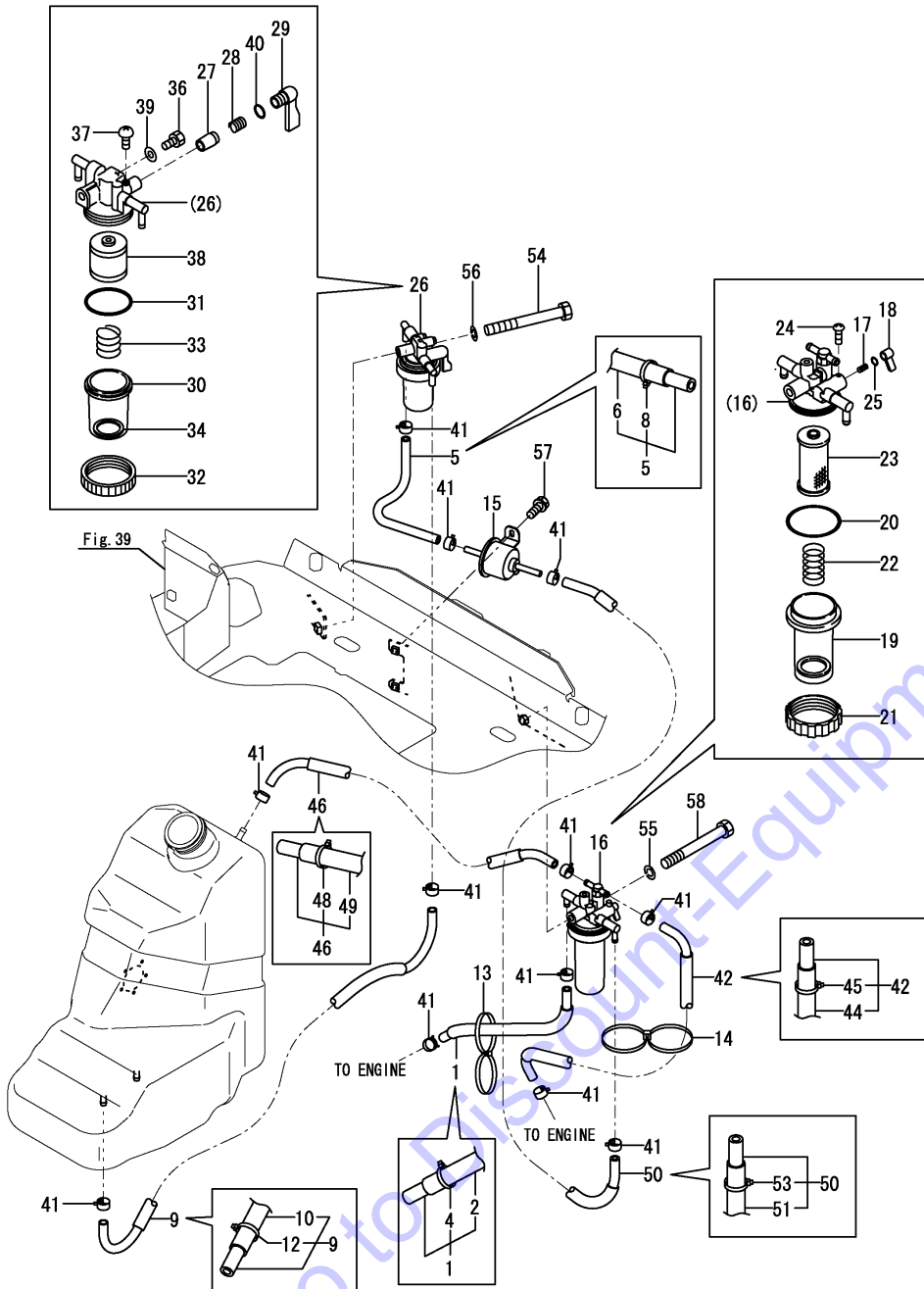
No.	Lev.	Parts No.	Description	Q'ty						I	R
				(A)	(B)	(C)	(D)	(E)	(F)		
1	1	172186-13810	HOSE ASSY	1	1	1	1				
2	2	172186-13820	TUBE, CORRUGATED	1	1	1	1				
4	2	933168-55770	BAND	2	2	2	2				
5	1	172A64-14250	HOSE ASSY,FO 260	1	1	1	1				
6	2	172A64-14260	TUBE, CORRUGATED	1	1	1	1				
8	2	933168-55770	BAND	2	2	2	2				
9	1	172456-14610	HOSE,FO1470 ASSY	1	1	1	1				
10	2	172456-14620	TUBE, CORRUGATED	1	1	1	1				
12	2	933168-55770	BAND	2	2	2	2				
13	1	172137-16560	BAND	1	1	1	1				
14	1	172137-16560	BAND	2	2	2	2				
14-1	1	172137-16560	BAND	1	1	1	1				K
14-2	1	172187-78580	BAND	1	1	1	1				N
		(A=M04167) (B=M04167) (C=M04167) (D=M04167)									
15	1	129612-52100	PUMP, FUEL FEED	1	1	1	1				
16	1	119833-55620	FILTER ASSY, FUEL	1	1	1	1				
16-1	1	119833-55621	FILTER ASSY, FUEL	1	1	1	1				N
		(A=M07323) (B=M07323) (C=M07323) (D=M07323)									
17	2	104200-55330	SPRING, FUEL VALVE	1	1	1	1				
18	2	119810-55340	LEVER, FUEL	1	1	1	1				
19	2	121254-55510	CUP, FUEL STARINER	1	1	1	1				
20	2	102103-55520	O-RING	1	1	1	1				
21	2	110250-55610	RING, CUP RETAINING	1	1	1	1				
22	2	121250-55620	SPRING, ELEMENT	1	1	1	1				
23	2	119810-55650	ELEMENT	1	1	1	1				
24	2	104200-55750	SCREW, PAN M4	1	1	1	1				
25	2	24311-240100	O-RING, 1AP10A	1	1	1	1				
26	1	129335-55700	SEPARATOR ASSY,WATER	1	1	1	1				
26-1	1	129335-55701	SEPARATOR ASSY,WATER	1	1	1	1				N
		(A=M05339) (B=M05339) (C=M05339) (D=M05339)									
27	2	104200-55321	VALVE, TAPER	1	1	1	1				
28	2	104200-55330	SPRING, FUEL VALVE	1	1	1	1				
29	2	104200-55341	HANDLE, COCK	1	1	1	1				
30	2	124064-55510	CUP, FUEL STARINER	1	1	1	1				
31	2	102103-55520	O-RING	1	1	1	1				
32	2	110250-55610	RING, CUP RETAINING	1	1	1	1				
33	2	121257-55720	SPRING, FILTER	1	1	1	1				
34	2	121257-55731	FLOAT	1	1	1	1				
36	2	101720-55750	PLUG, HEXAGON M6	2	2	2	2				
37	2	104200-55750	SCREW, PAN M4	1	1	1	1				
38	2	171081-55910	FILTER, FUEL	1	1	1	1				
39	2	23418-060000	GASKET, 6X1.0	2	2	2	2				
40	2	24311-240100	O-RING, 1AP10A	1	1	1	1				
41	1	124766-59050	CLAMP, HOSE 11.5	12	12	12	12				
42	1	184015-59130	HOSE	1	1	1	1				
44	2	184015-59140	TUBE, CORRUGATED	1	1	1	1				
45	2	933168-55770	BAND	2	2	2	2				
46	1	184015-59250	HOSE	1	1	1	1				
48	2	184015-59260	TUBE, CORRUGATED	1	1	1	1				
49	2	933168-55770	BAND	2	2	2	2				

N:Old  $\begin{matrix} \text{Yes} \\ \text{No} \end{matrix}$  New, Q:Old  $\begin{matrix} \text{No} \\ \text{Yes} \end{matrix}$  New, R:Old  $\begin{matrix} \text{Yes} \\ \text{No} \end{matrix}$  New, S:Old  $\begin{matrix} \text{No} \\ \text{Yes} \end{matrix}$  New, W:Add, Z:Discontinued, F:Interchangeable by set, K:Q'ty Change  
++ CONTINUE ++  
Copyright (C) 2014 YANMAR CO., LTD. All Rights Reserved.

Fig.9. FUEL PIPING

(A)=VIO17(US)  
(B)=VIO17(AS)  
(C)=VIO17(NZ)

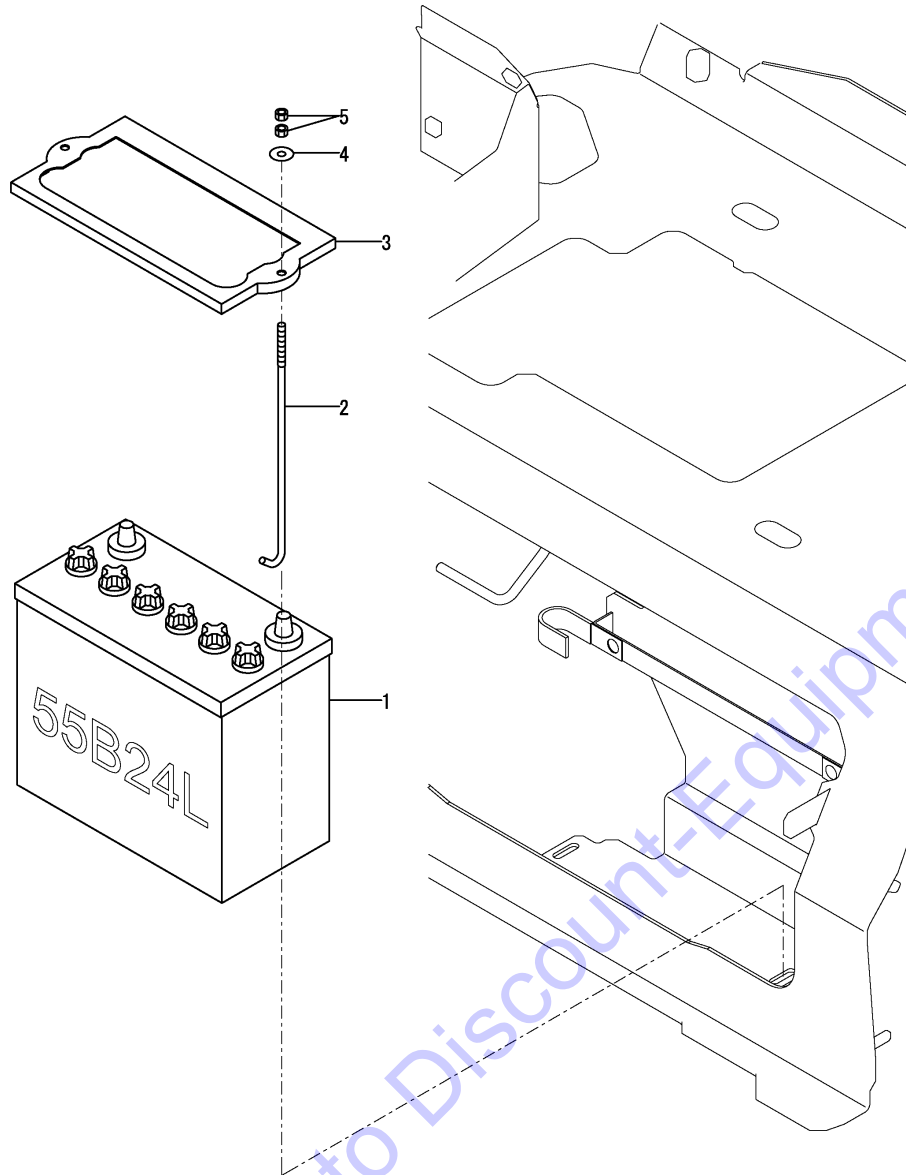
(D)=VIO17(SG)  
(E)=  
(F)=



No.	Lev.	Parts No.	Description	Q'ty						I	R
				(A)	(B)	(C)	(D)	(E)	(F)		
50	1	184014-59650	HOSE	1	1	1	1				
51	2	184014-59510	TUBE, CORRUGATED	1	1	1	1				
53	2	933168-55770	BAND	2	2	2	2				
54	1	26116-080652	BOLT, M8X 65 PLATED	1	1	1	1				
55	1	22217-080000	WASHER, SPRING 8	1	1	1	1				
56	1	22217-080000	WASHER, SPRING 8	1	1	1	1				
57	1	26014-060162	BOLT, M6X 16	2	2	2	2				
58	1	26116-080652	BOLT, M8X 65 PLATED	1	1	1	1				N



Fig.10. BATTERY



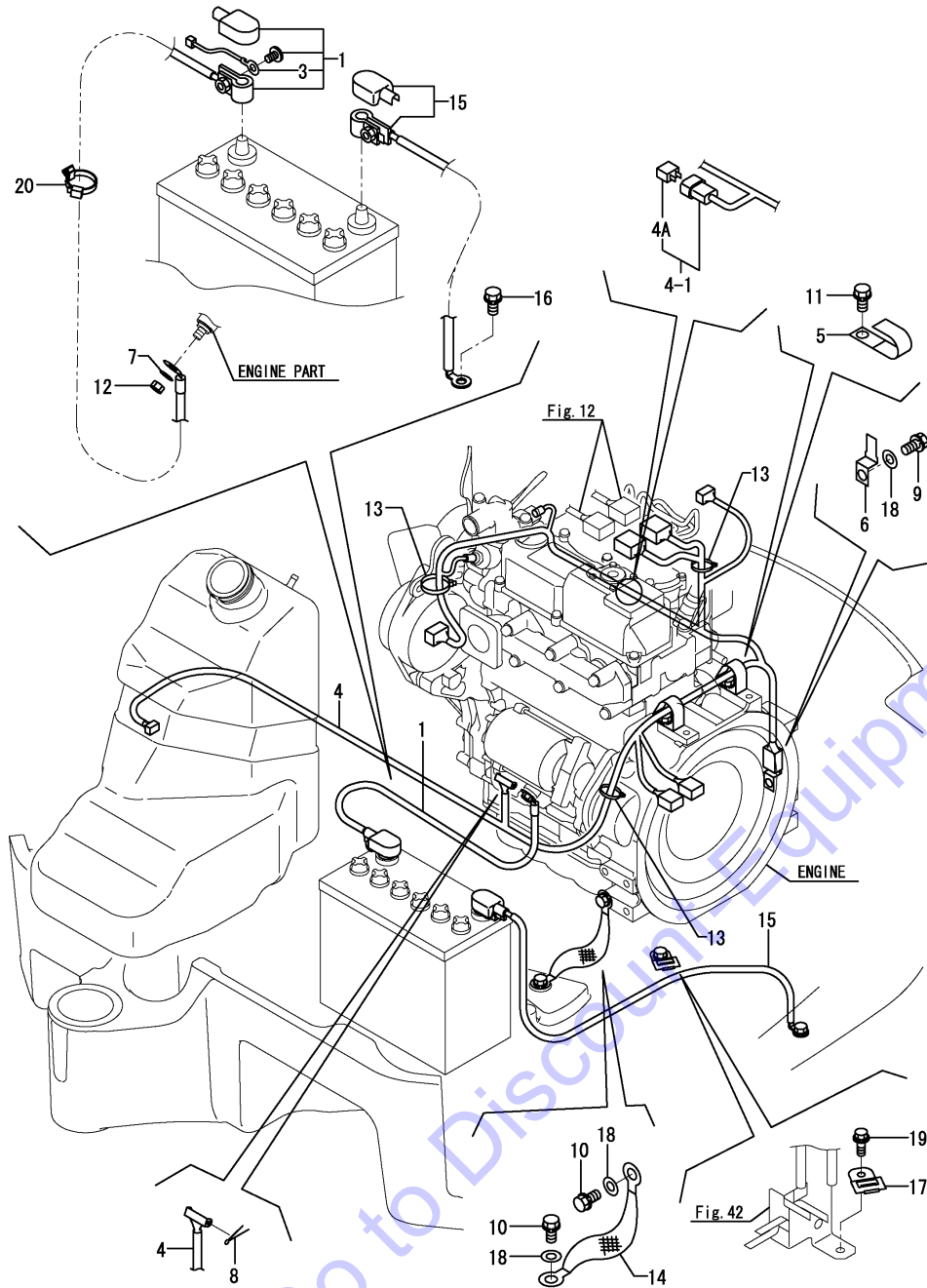
(A)=VIO17(US)  
 (B)=VIO17(AS)  
 (C)=VIO17(NZ)

(D)=VIO17(SG)  
 (E)=  
 (F)=

No.	Lev.	Parts No.	Description	Q'ty						I	R
				(A)	(B)	(C)	(D)	(E)	(F)		
1	1	172458-16110	BATTERY	1	1	1	1				
2	1	172725-16160	ROD, BATTERY CLAMP	2	2	2	2				
3	1	194940-64750	CLAMP, BATTERY	1	1	1	1				
4	1	22157-060000	WASHER, 6	2	2	2	2				
5	1	26716-060002	NUT, M6	4	4	4	4				

Go to Discount-Equipment.com to order your parts

Fig.11. AROUND THE ENGINE

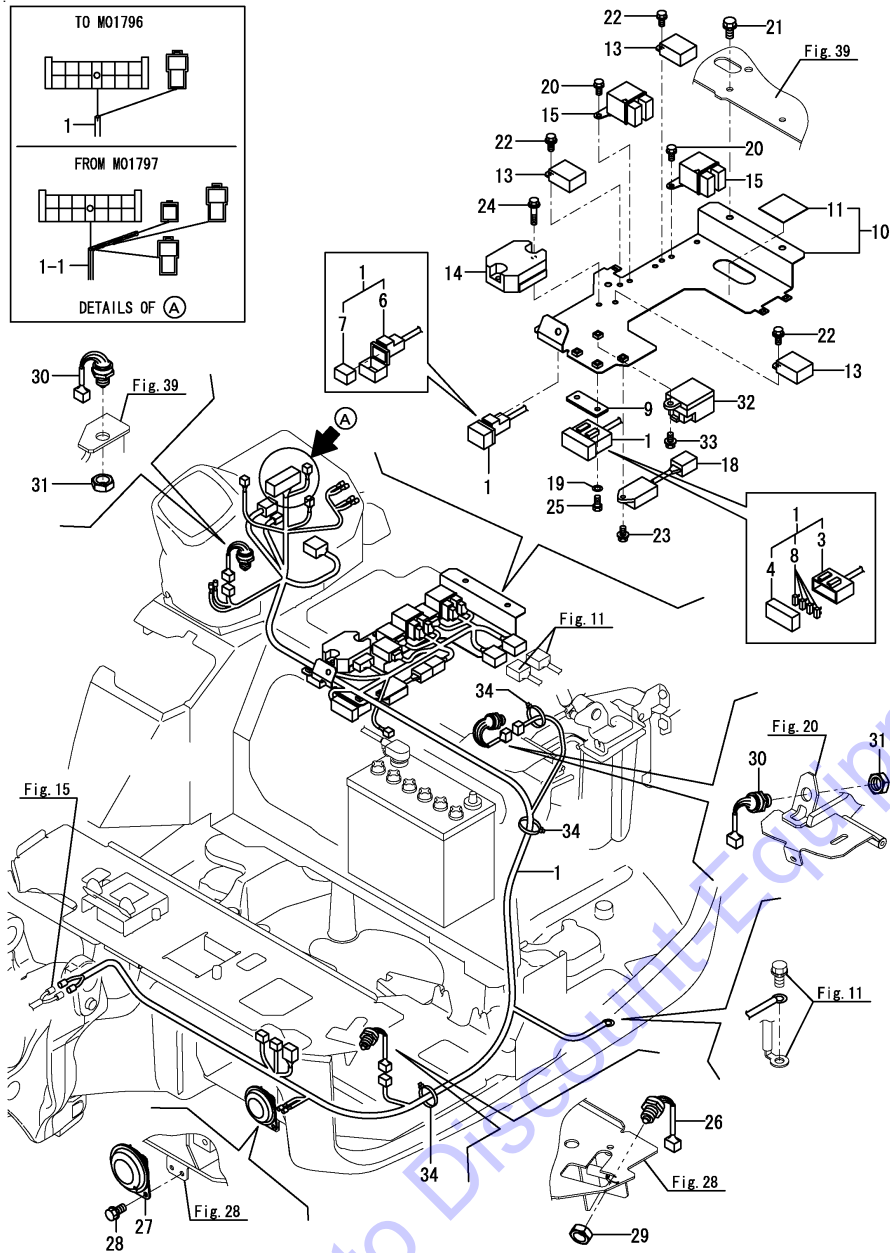


(A)=VIO17(US)  
(B)=VIO17(AS)  
(C)=VIO17(NZ)

(D)=VIO17(SG)  
(E)=  
(F)=

No.	Lev.	Parts No.	Description	Q'ty						I	R
				(A)	(B)	(C)	(D)	(E)	(F)		
1	1	172A64-16101	CORD ASSY,BATTERY (+	1	1	1	1				
3	2	172458-16140	HARNESS, WIRE	1	1	1	1				
3-1	2	172A64-16120	HARNESS, F	1	1	1	1				N
4	1	172A64-16501	HARNESS ASSY, A	1	1	1	1				
4-1	1	172A64-16502	HARNESS ASSY, A	1	1	1	1				N
4A	2	1A7130-51130	DIODE, 1.5A	1	1	1	1				W
5	1	172112-16650	CLAMP	2	2	2	2				
6	1	172460-16700	STAY	1	1	1	1				
7	1	22137-080000	WASHER, 8	1	1	1	1				
8	1	22417-200250	PIN, COTTER 2.0X25	1	1	1	1				
9	1	26013-100162	BOLT, M10X 16	1	1	1	1				
10	1	26013-100162	BOLT, M10X 16	2	2	2	2				
11	1	26013-100162	BOLT, M10X 16	2	2	2	2				
12	1	26716-080002	NUT, M8	1	1	1	1				
13	1	933168-55770	BAND	3	3	3	3				
14	1	933171-15801	CORD, ENGINE EARTH	1	1	1	1				
15	1	172A64-16131	HARNESS, BAT. MINUS	1	1	1	1				
16	1	26013-100202	BOLT, M10X 20	1	1	1	1				
17	1	1A7347-51200	CLIP, METAL	2	2	2	2				W
18	1	22137-100000	WASHER, 10	3	3	3	3				W
19	1	26014-080202	BOLT, M8X 20	1	1	1	1				W
20	1	194680-51670	BAND, CLIP	1	1	1	1				W

Fig.12. AROUND THE SEAT



(A)=VIO17(US)  
 (B)=VIO17(AS)  
 (C)=VIO17(NZ)

(D)=VIO17(SG)  
 (E)=  
 (F)=

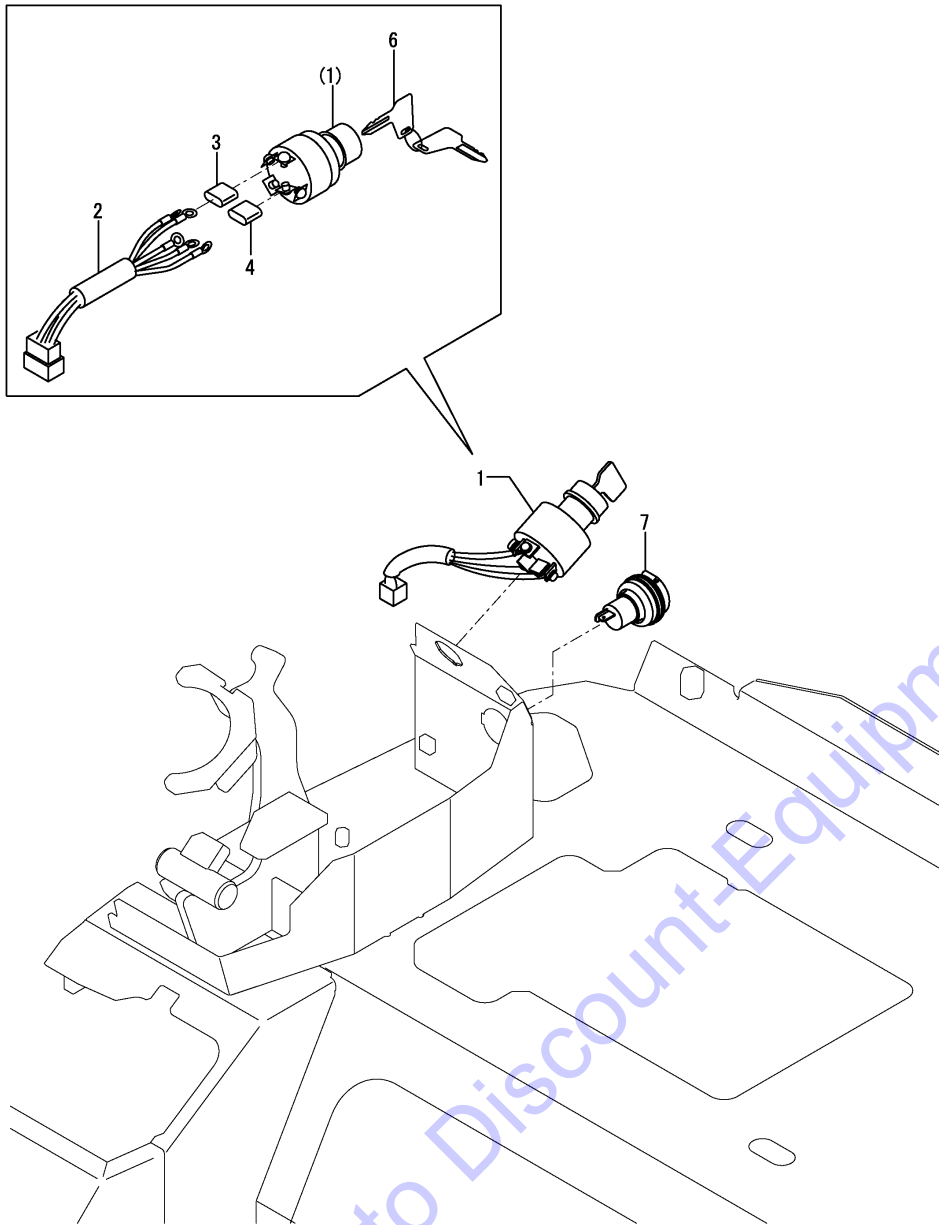
No.	Lev.	Parts No.	Description	Q'ty						I	R
				(A)	(B)	(C)	(D)	(E)	(F)		
1	1	172A64-16551	HARNESS ASSY, B	1	1	1	1				
1-1	1	172A64-16552	HARNESS ASSY, B	1	1	1	1			S	1
		(A=M01630) (B=M01630) (C=M01630) (D=M01630)									
1-2	1	172A64-16530	HARNESS ASSY, B EX	1	1	1	1				N
		(A=M04191) (B=M04191) (C=M04191) (D=M04191)									
3	2	172183-16580	BODY, FUSER	1	1	1	1				
4	2	172183-16590	COVER	1	1	1	1				
6	2	172447-17140	HOUSING	1	1	1	1				
7	2	172447-17150	FUSE 40A	1	1	1	1				
8	2	29420-150000	FUSE, B 15A	4	4	4	4				
9	1	172183-16550	BRACKET, FUSE	1	1	1	1				
10	1	172A64-17120	BRACKET ASSY, ELC	1	1	1	1				
10-1	1	172A64-17121	BRACKET ASSY, ELC	1	1	1	1				N
		(A=M00805) (B=M00805) (C=M00805) (D=M00805)									
11	2	172446-14250	PLATE, RUBBER	1	1	1	1				
13	1	119247-77100	RELAY, POWER	3	3	3	3				
14	1	119653-77710	CURRENT LIMITER	1	1	1	1				
14-1	1	119653-77711	CURRENT LIMITER	1	1	1	1				N
		(A=M01763) (B=M01763) (C=M01763) (D=M01763)									
15	1	119650-77910	RELAY ASSY, GLOW	2	2	2	2				
15-1	1	119650-77911	RELAY ASSY, GLOW	2	2	2	2				N
		(A=M04687) (B=M04687) (C=M04687) (D=M04687)									
18	1	129211-77920	TIMER	1	1	1	1				
19	1	22137-060000	WASHER, 6	2	2	2	2				
20	1	26013-060122	BOLT, M6X 12	4	4	4	4				
21	1	26013-080162	BOLT, M8X 16	3	3	3	3				
22	1	26014-060122	BOLT, M6X 12	3	3	3	3				
23	1	26014-060162	BOLT, M6X 16	1	1	1	1				
24	1	26014-060252	BOLT, M6X 25	2	2	2	2				
25	1	26116-060162	BOLT, M6X 16 PLATED	2	2	2	2				
26	1	194464-52190	SWITCH, START	1	1	1	1				
27	1	194151-57100	HORN	1	1	1	1				
28	1	26014-060162	BOLT, M6X 16	2	2	2	2				
29	1	26776-180002	NUT, LOCK M18	1	1	1	1				
30	1	194464-52190	SWITCH, START	2	2	2	2				
31	1	26776-180002	NUT, LOCK M18	2	2	2	2				
32	1	124970-77920	TIMER	1	1	1	1				W 1
		(A=M01797) (B=M01797) (C=M01797) (D=M01797)									
33	1	26014-060202	BOLT, M6X 20	1	1	1	1				W 1
		(A=M01797) (B=M01797) (C=M01797) (D=M01797)									
34	1	933168-55770	BAND	3	3	3	3				W
		(A=*2010.07) (B=*2010.07) (C=*2010.07) (D=*2010.07)									

Remarks

(1) Interchangeable by simultaneous replacement with No.1-1, 32, 33 & Fig.37 No.23.

N:Old  $\frac{Yes}{No}$  New, Q:Old  $\frac{No}{Yes}$  New, R:Old  $\frac{Yes}{Yes}$  New, S:Old  $\frac{No}{No}$  New, W:Add, Z:Discontinued, F:Interchangeable by set, K:Q'ty Change

Fig.13. STARTER SWITCH



(A)=VIO17(US)  
 (B)=VIO17(AS)  
 (C)=VIO17(NZ)

(D)=VIO17(SG)  
 (E)=  
 (F)=

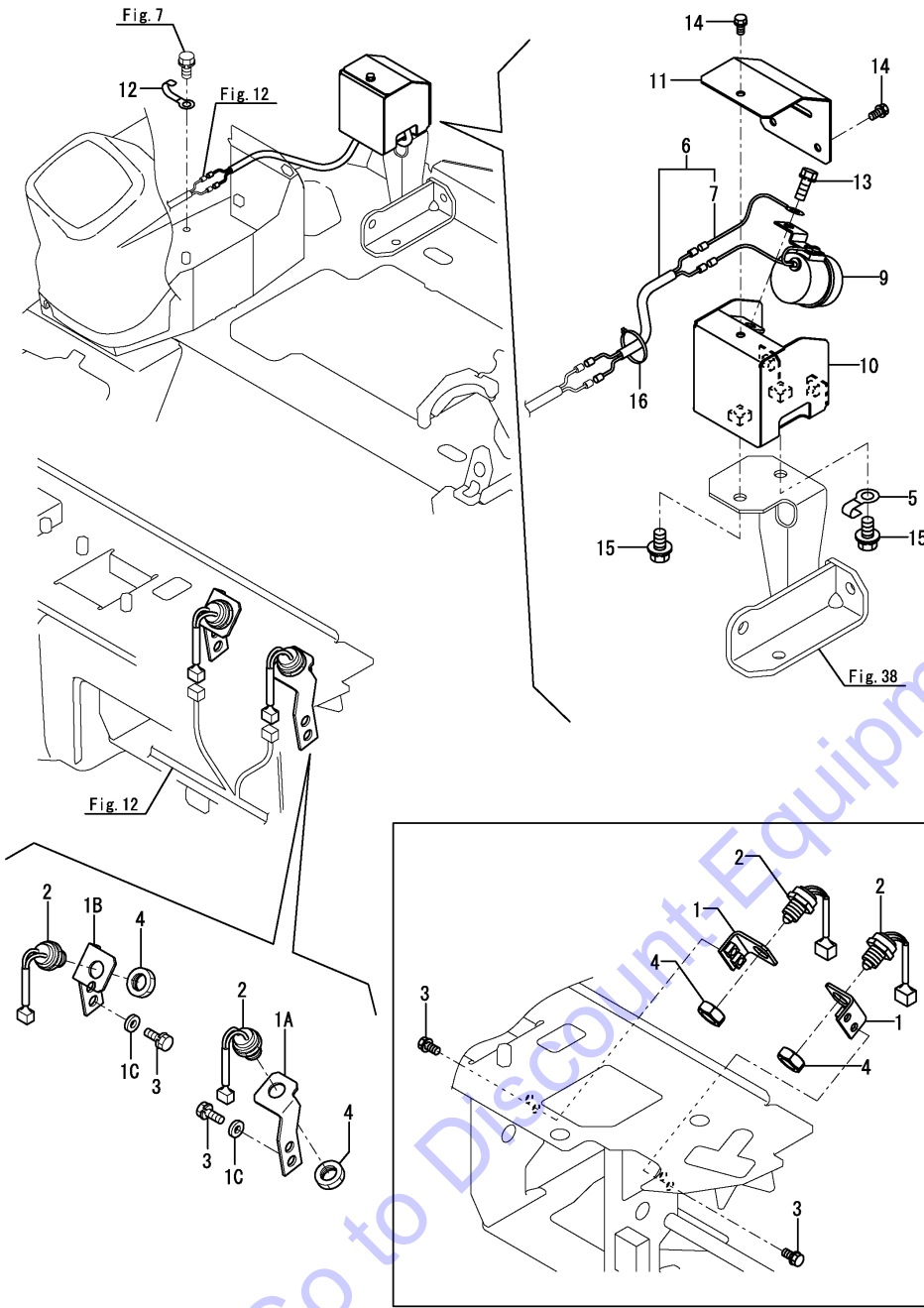
No.	Lev.	Parts No.	Description	Q'ty						I	R
				(A)	(B)	(C)	(D)	(E)	(F)		
1	1	172187-17100	SWITCH ASSY, STARTER	1	1	1	1				
1-1	1	172187-17101	SWITCH ASSY, STARTER	1	1	1	1				N
		(A=M07323) (B=M07323) (C=M07323) (D=M07323)									
1-2	1	172527-17101	SWITCH ASSY, STARTER	1	1	1	1				R
		(A=M0M155) (B=M0M155) (C=M0M155) (D=M0M155)									
2	2	172187-17070	CORD ASSY	1	1	1	1				
3	2	172187-17080	COVER	3	3	3	3				
4	2	172187-17090	COVER	2	2	2	2				
6	2	933110-00301	KEY ASSY	1	1	1	1				
6-1	2	172524-17330	KEY ASSY, E	1	1	1	1				R
		(A=M0M155) (B=M0M155) (C=M0M155) (D=M0M155)									
7	1	172A64-17250	SOCKET ASSY	1	1	1	1				

Go to Discount-Equipment.com to buy parts

Fig.14. TRAVEL ALARM

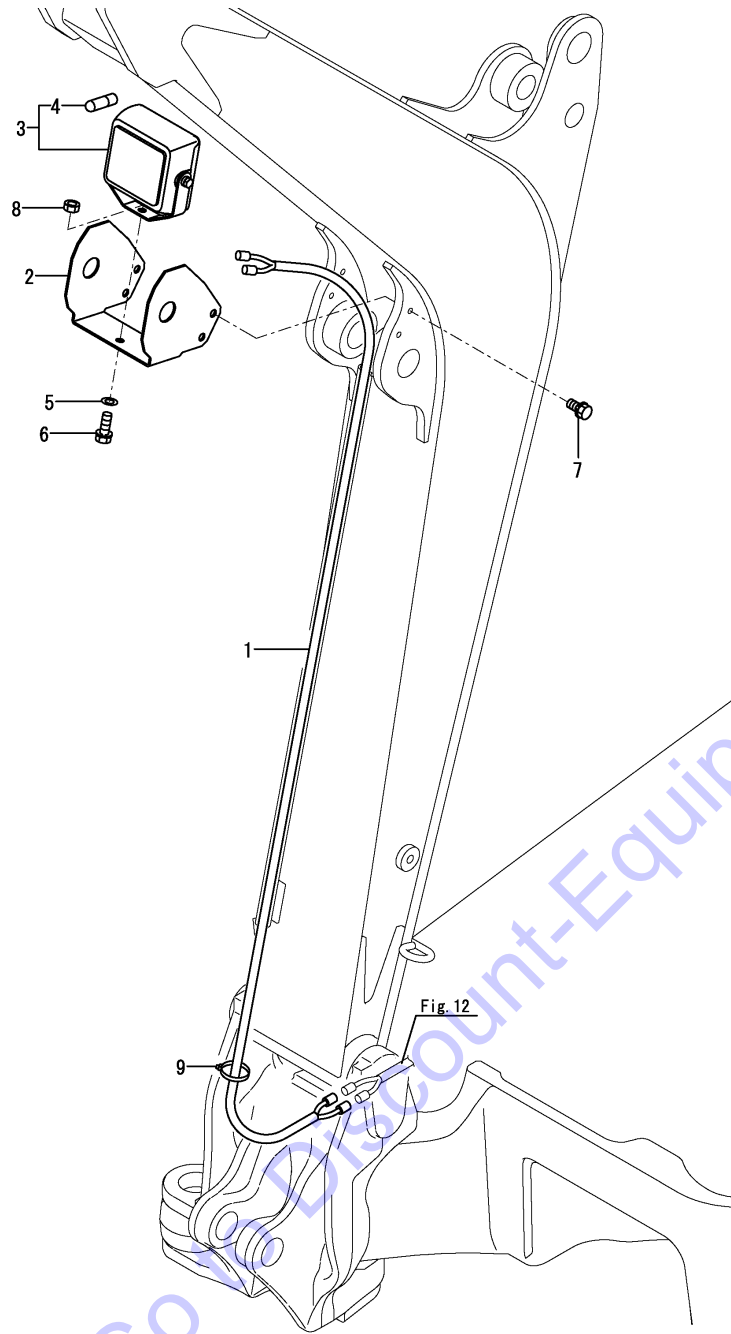
(A)=VIO17(US)  
(B)=VIO17(AS)  
(C)=VIO17(NZ)

(D)=VIO17(SG)  
(E)=  
(F)=



No.	Lev.	Parts No.	Description	Q'ty						I	R
				(A)	(B)	(C)	(D)	(E)	(F)		
1	1	172A64-45250 (A=M01114) (B=M01114) (C=M01114) (D=M01114)	STAY ASSY	2	2	2	2			Z	
1A	2	172A64-45310 (A=M01114) (B=M01114) (C=M01114) (D=M01114)	STAY	1	1	1	1			W	
1B	2	172A64-45320 (A=M01114) (B=M01114) (C=M01114) (D=M01114)	STAY	1	1	1	1			W	
1C	2	172157-45840 (A=M01114) (B=M01114) (C=M01114) (D=M01114)	WASHER 8X18X4	4	4	4	4			W	
2	1	194464-52190	SWITCH, START	2	2	2	2				
3	1	26013-080202	BOLT, M8X 20	4	4	4	4				
4	1	26776-180002	NUT, LOCK M18	2	2	2	2				
5	1	172126-16540	CLAMP	1	1	1	1				
6	1	172448-16600	HARNESS D CMP	1	1	1	1				
7	2	172478-16580 (A=*2010.05) (B=*2010.05) (C=*2010.05) (D=*2010.05)	HARNESS,ALARM	1	1	1	1			Z	
9	1	172511-17351	BUZZER, BACK	1	1	1	1				
10	1	172472-17400-1	CASE ASSY, ALARM	1	1	1	1				
10-1	1	172472-17401-1 (A=M01838) (B=M01838) (C=M01838) (D=M01838)	CASE ASSY, ALARM	1	1	1	1			N	
10-2	1	172472-17401-Y (A=M07001) (B=M07001) (C=M07001) (D=M07001)	CASE ASSY, ALARM	1	1	1	1			S	
11	1	172472-17470-1	COVER, ALARM CASE	1	1	1	1				
11-1	1	172472-17470-Y (A=M07001) (B=M07001) (C=M07001) (D=M07001)	COVER, ALARM CASE	1	1	1	1			S	
12	1	194440-51620	CLAMP, B	1	1	1	1				
13	1	26013-080122	BOLT, M8X 12	1	1	1	1				
14	1	26014-060122	BOLT, M6X 12	3	3	3	3				
15	1	26014-100202	BOLT, M10X 20	2	2	2	2				
16	1	933168-55770	BAND	1	1	1	1				

Fig.15. WORK LAMP



(A)=VIO17(US)  
 (B)=VIO17(AS)  
 (C)=VIO17(NZ)

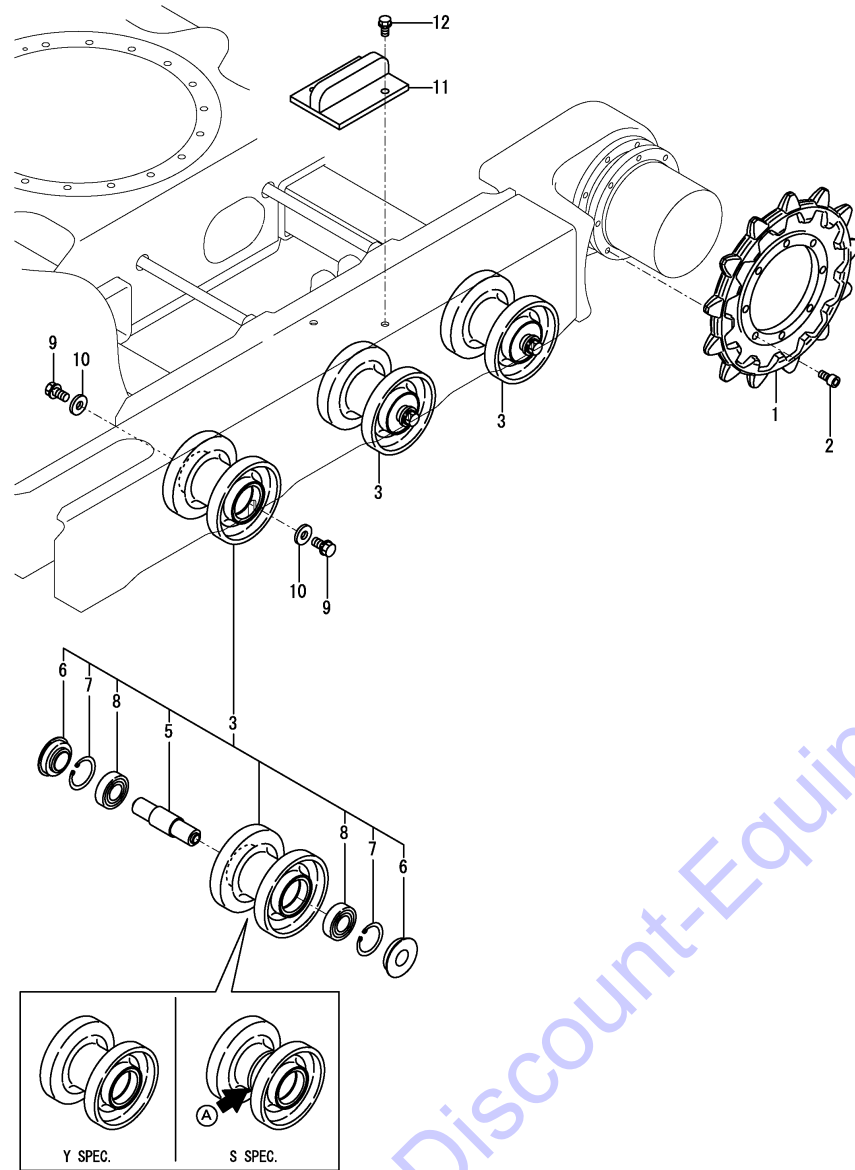
(D)=VIO17(SG)  
 (E)=  
 (F)=

No.	Lev.	Parts No.	Description	Q'ty						I	R
				(A)	(B)	(C)	(D)	(E)	(F)		
1	1	172448-16550	HARNES,BOOM LAMP	1	1	1	1				
2	1	172A64-17210-1	BRACKET, WORK LAMP	1	1	1	1				
2-1	1	172A64-17210-Y	BRACKET,WORK LAMP	1	1	1	1				S
		(A=M07001)	(B=M07001)	(C=M07001)	(D=M07001)						
3	1	172156-17401	LAMP, WORK	1	1	1	1				
4	2	172156-17420	BULB, 12V 27W	1	1	1	1				
5	1	22117-080000	WASHER, 8	1	1	1	1				
6	1	26013-080162	BOLT, M8X 16	1	1	1	1				
7	1	26014-080162	BOLT, M8X 16	4	4	4	4				
8	1	26716-080002	NUT, M8	1	1	1	1				
9	1	933168-55770	BAND	1	1	1	1				

Fig.16. SPROCKET & TRACK ROLLER(RUBBER CRAWLER SPEC.)(Y SPEC.)

(A)=VIO17(US)  
 (B)=VIO17(AS)  
 (C)=VIO17(NZ)

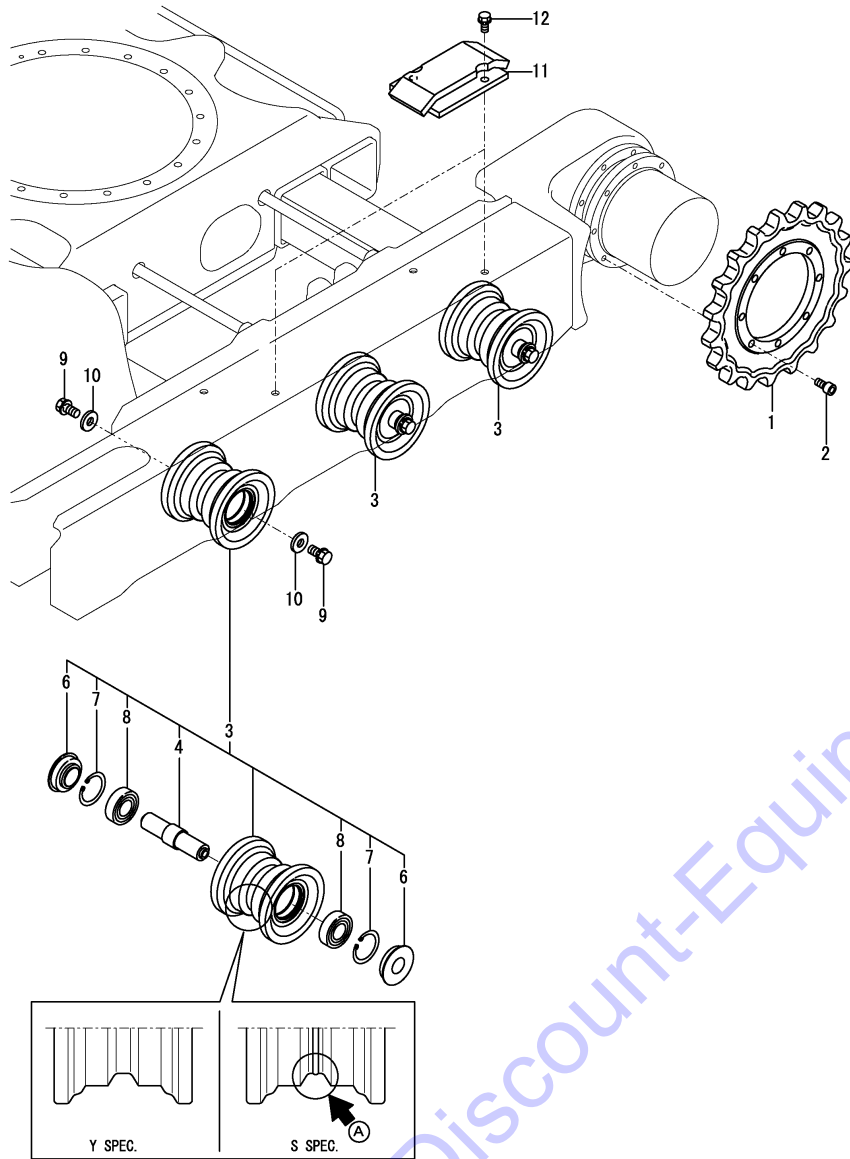
(D)=VIO17(SG)  
 (E)=  
 (F)=



No.	Lev.	Parts No.	Description	Q'ty						I	R
				(A)	(B)	(C)	(D)	(E)	(F)		
1	1	172A64-29100	SPROCKET, 13	2	2	2	2				
2	1	26450-100252	BOLT, M10X 25	16	16	16	16				
3	1	772A64-37300-2	ROLLER ASSY, TRACK	6	6	6	6			Z	1
		(A=M0D137)	(B=M0D137)	(C=M0D137)	(D=M0D137)						
5	2	172448-37310	SHAFT, ROLLER	6	6	6	6				
6	2	1E6140-73420	SEAL, OIL 25X52X18	12	12	12	12				
7	2	22252-000520	RING, 52	12	12	12	12				
8	2	24101-062054	BEARING, BALL 6205	12	12	12	12				
9	1	26013-120252	BOLT, M12X 25	12	12	12	12				
10	1	933152-03700	WASHER, CLUTCH	12	12	12	12				
11	1	172A64-37500	PLATE ASSY, SLIDE	2	2	2	2				
12	1	26013-100252	BOLT, M10X 25	4	4	4	4				

Remarks  
 (1)Compatibility by assembly exchange with parts of Fig.93(16B) No.1.  
 The inner parts are not compatible.  
 A : There is no welding in the Y specifications, and there is welding in the S specifications.

Fig.85. (16A)SPROCKET & ROLLER(IRON CRAWLER SPEC.)(Y SPEC.)



(A)=VIO17(US)  
 (B)=VIO17(AS)  
 (C)=VIO17(NZ)

(D)=VIO17(SG)  
 (E)=  
 (F)=

No.	Lev.	Parts No.	Description	Q'ty						I	R
				(A)	(B)	(C)	(D)	(E)	(F)		
1	1	172A64-29110	SPROCKET, 19			2	2				
2	1	26450-100252	BOLT, M10X 25			16	16				
3	1	172A64-37310	ROLLER ASSY, TRACK			6	6			Z	1
			(C=MOD137) (D=MOD137)								
4	2	172448-37320	SHAFT, ROLLER			6	6				
6	2	1E6140-73420	SEAL, OIL 25X52X18			12	12				
7	2	22252-000520	RING, 52			12	12				
8	2	24101-062054	BEARING, BALL 6205			12	12				
9	1	26013-120252	BOLT, M12X 25			12	12				
10	1	933152-03700	WASHER, CLUTCH			12	12				
11	1	172A64-37510	PLATE ASSY, SLIDE			4	4				
12	1	26013-100252	BOLT, M10X 25			8	8				

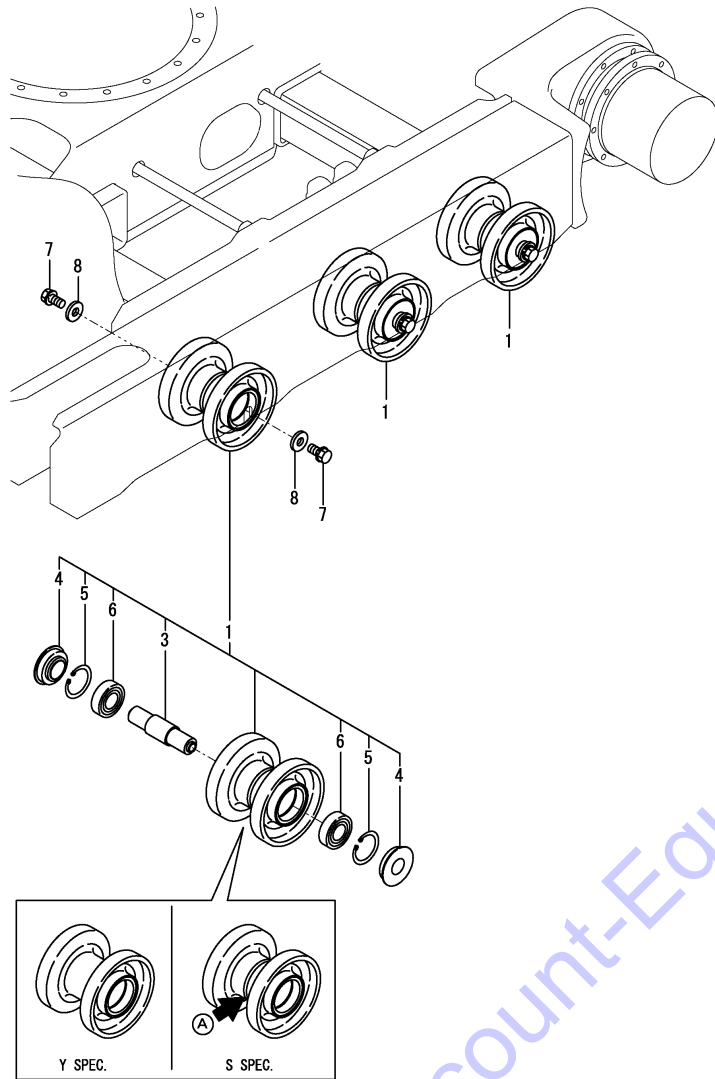
Remarks  
 \* A : There is no welding in the Y specifications, and there is welding in the S specifications.  
 (1)Compatibility by assembly exchange with parts of Fig.94(16C) No.1.  
 The inner parts are not compatible.



Fig.93. (16B)TRACK ROLLER(RUBBER CRAWLER SPEC.)(S SPEC.)

(A)=VIO17(US)  
 (B)=VIO17(AS)  
 (C)=VIO17(NZ)

(D)=VIO17(SG)  
 (E)=  
 (F)=



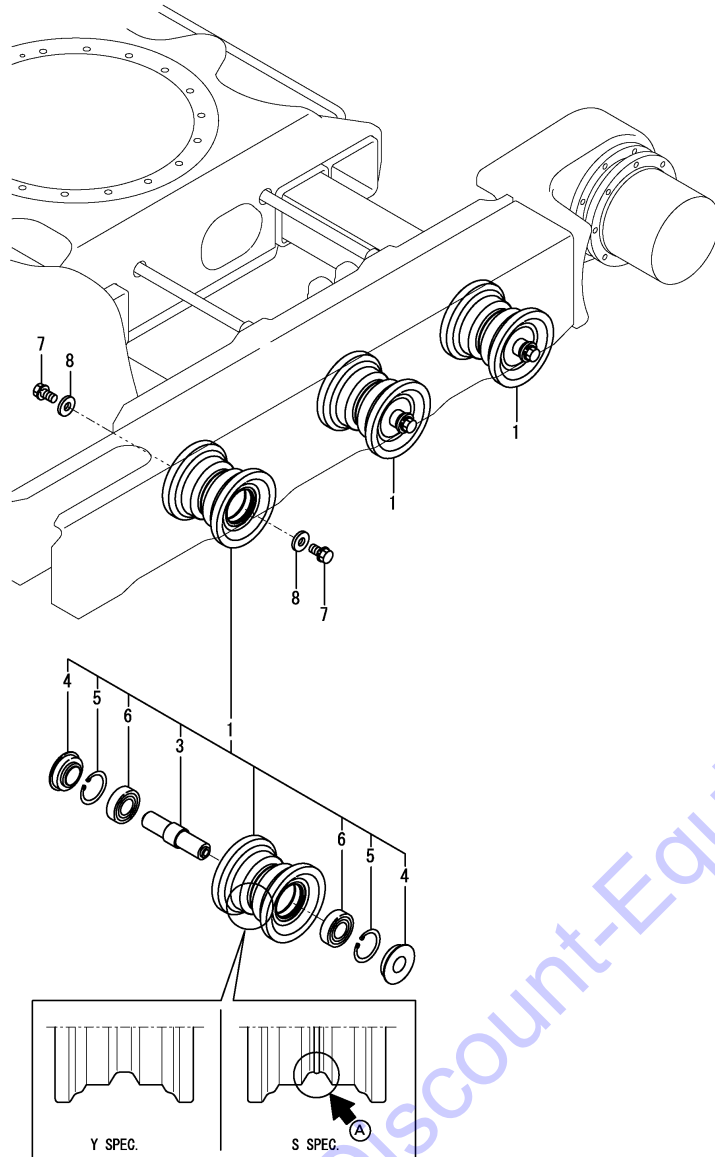
No.	Lev.	Parts No.	Description	Q'ty						I	R
				(A)	(B)	(C)	(D)	(E)	(F)		
1	1	172A64-37400 (A=M0D137) (B=M0D137)	ROLLER ASSY, LOWER (C=M0D137) (D=M0D137)	6	6	6	6				W
3	2	172A64-37420	SHAFT	6	6	6	6				
4	2	1E6140-73420	SEAL, OIL 25X52X18	12	12	12	12				
5	2	22252-000520	RING, 52	12	12	12	12				
6	2	24101-062054	BEARING, BALL 6205	12	12	12	12				
7	1	26013-120252	BOLT, M12X 25	12	12	12	12				
8	1	933152-03700	WASHER, CLUTCH	12	12	12	12				

Remarks  
 \* A : There is no welding in the Y specifications, and there is welding in the S specifications.  
 \* Track roller (Y specification) are shown in Fig.16.  
 The inner parts are not compatible.

Fig.94. (16C)SPROCKET & ROLLER(IRON CRAWLER SPEC.)(S SPEC.)

(A)=VIO17(US)  
 (B)=VIO17(AS)  
 (C)=VIO17(NZ)

(D)=VIO17(SG)  
 (E)=  
 (F)=



No.	Lev.	Parts No.	Description	Q'ty						I	R
				(A)	(B)	(C)	(D)	(E)	(F)		
1	1	172A64-37450 (A=MOD137) (B=MOD137)	ROLLER ASSY, LOWER S	6	6						W
3	2	172A64-37470	SHAFT	6	6						
4	2	1E6140-73420	SEAL, OIL 25X52X18	12	12						
5	2	22252-000520	RING, 52	12	12						
6	2	24101-062054	BEARING, BALL 6205	12	12						
7	1	26013-120252	BOLT, M12X 25	12	12						
8	1	933152-03700	WASHER, CLUTCH	12	12						

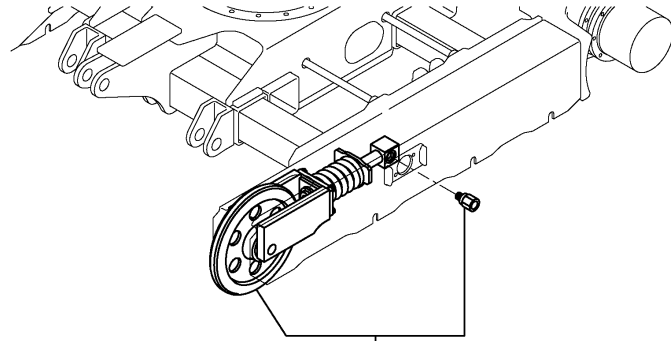
Remarks

- \* A : There is no welding in the Y specifications, and there is welding in the S specifications.
- \* Track roller (Iron crawler specification)(Y specification) are shown in Fig.85(16A). The inner parts are not compatible.

Fig.17. IDLER & ADJUST

(A)=VIO17(US)  
(B)=VIO17(AS)  
(C)=VIO17(NZ)

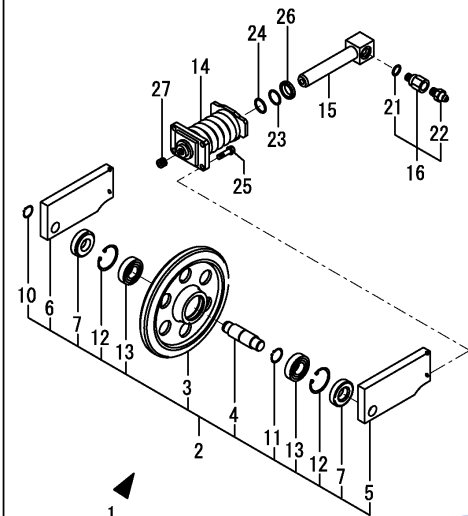
(D)=VIO17(SG)  
(E)=  
(F)=



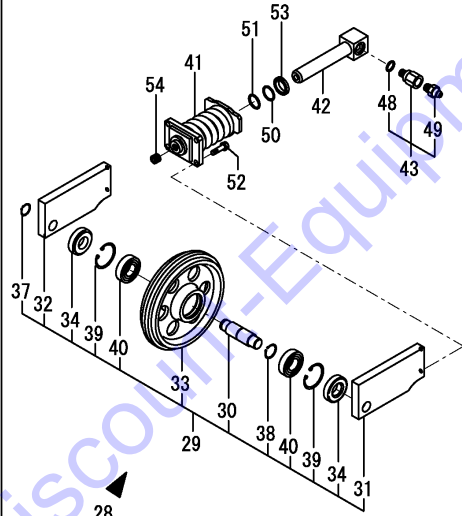
1 RUBBER CRAWLER SPEC.  
28 IRON CRAWLER SPEC.

RUBBER CRAWLER SPEC.

IRON CRAWLER SPEC.



1 INC. 2~27.



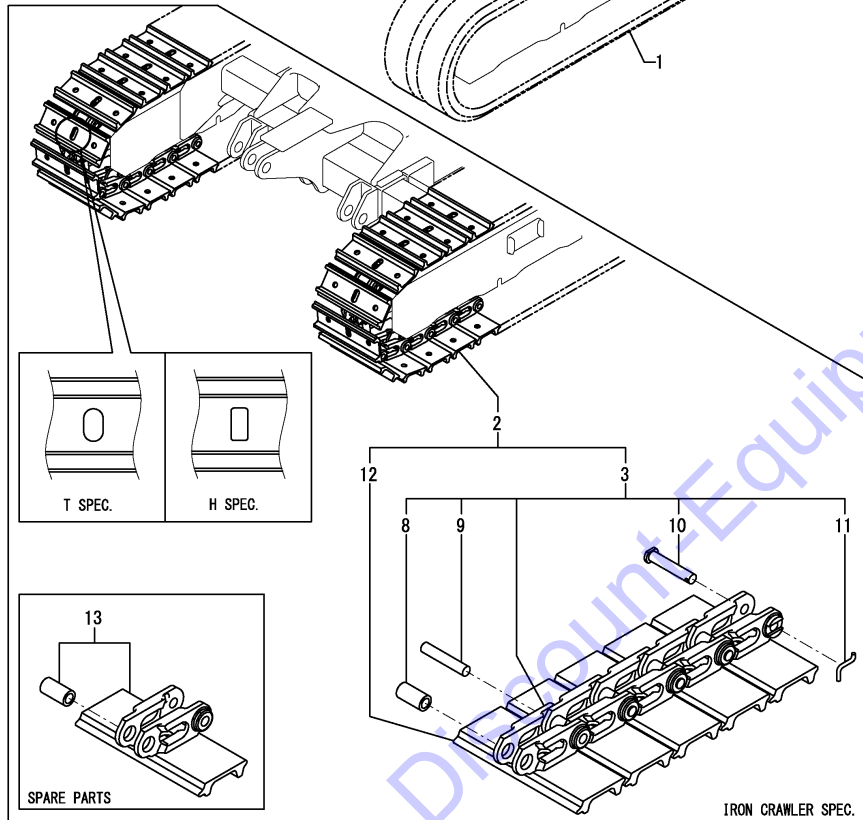
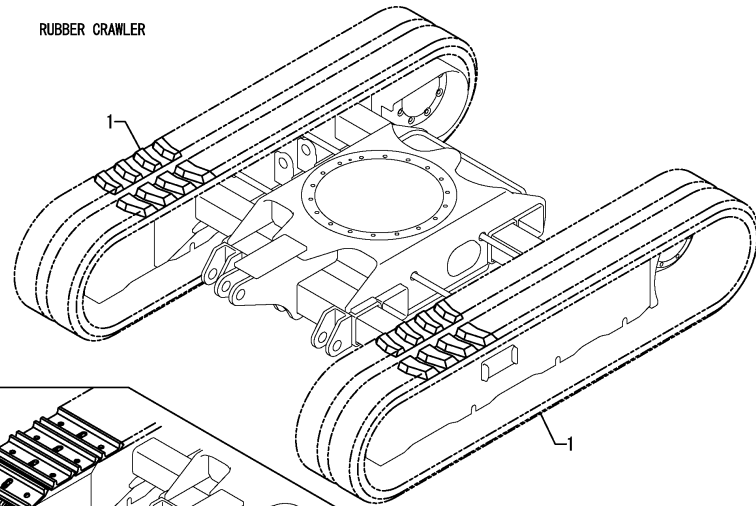
28 INC. 29~54.

No.	Lev.	Parts No.	Description	Q'ty						I	R
				(A)	(B)	(C)	(D)	(E)	(F)		
1	1	172A64-37200	FORK ASSY, IDLER	2	2	2	2				
2	2	172A64-37210	IDLER ASSY, RUBBER	2	2	2	2				
3	3	172A64-37100	IDLER, 270	2	2	2	2				
4	3	172A64-37120	SHAFT, IDLER	2	2	2	2				
5	3	172A64-37130	FORK L, IDLER	2	2	2	2				
6	3	172A64-37140	FORK R, IDLER	2	2	2	2				
7	3	1A1060-48300	SEAL, OIL QLN306213.2	4	4	4	4				
10	3	22242-000250	RING, 25	2	2	2	2				
11	3	22242-000300	RING, 30	2	2	2	2				
12	3	22252-000620	RING, 62	4	4	4	4				
13	3	24101-062064	BEARING, BALL 6206	4	4	4	4				
14	2	172448-37712	SPRING ASSY, ADJUST	2	2	2	2				
15	2	172448-37800	TUBE ASSY, ADJUST	2	2	2	2				
16	2	172122-37844	VALVE ASSY, NIPPLE	2	2	2	2				
21	3	24315-000140	O-RING, 1BP14.0	2	2	2	2				
22	3	24761-020000	NIPPLE, GREASE PT1/8	2	2	2	2				
23	2	172137-37850	RING, BACK UP	2	2	2	2				
24	2	24315-000300	O-RING, 1BP30.0	2	2	2	2				
25	2	26013-100352	BOLT, M10X 35	8	8	8	8				
26	2	933126-38600	SEAL, DUST	2	2	2	2				
27	2	933171-13691	PLUG	2	2	2	2				
28	1	172A64-37230	FORK ASSY, IDLER				2	2			
29	2	172A64-37240	IDLER ASSY, IRON				2	2			
30	3	172A64-37120	SHAFT, IDLER				2	2			
31	3	172A64-37130	FORK L, IDLER				2	2			
32	3	172A64-37140	FORK R, IDLER				2	2			
33	3	172449-37200-1	IDLER ASSY				2	2			
34	3	1A1060-48300	SEAL, OIL QLN306213.2				4	4			
37	3	22242-000250	RING, 25				2	2			
38	3	22242-000300	RING, 30				2	2			
39	3	22252-000620	RING, 62				4	4			
40	3	24101-062064	BEARING, BALL 6206				4	4			
41	2	172448-37712	SPRING ASSY, ADJUST				2	2			
42	2	172448-37800	TUBE ASSY, ADJUST				2	2			
43	2	172122-37844	VALVE ASSY, NIPPLE				2	2			
48	3	24315-000140	O-RING, 1BP14.0				2	2			
49	3	24761-020000	NIPPLE, GREASE PT1/8				2	2			
50	2	172137-37850	RING, BACK UP				2	2			
51	2	24315-000300	O-RING, 1BP30.0				2	2			
52	2	26013-100352	BOLT, M10X 35				8	8			
53	2	933126-38600	SEAL, DUST				2	2			
54	2	933171-13691	PLUG				2	2			

Fig.18. RUBBER CRAWLER & IRON CRAWLER(T SPEC.)

(A)=VIO17(US)  
 (B)=VIO17(AS)  
 (C)=VIO17(NZ)

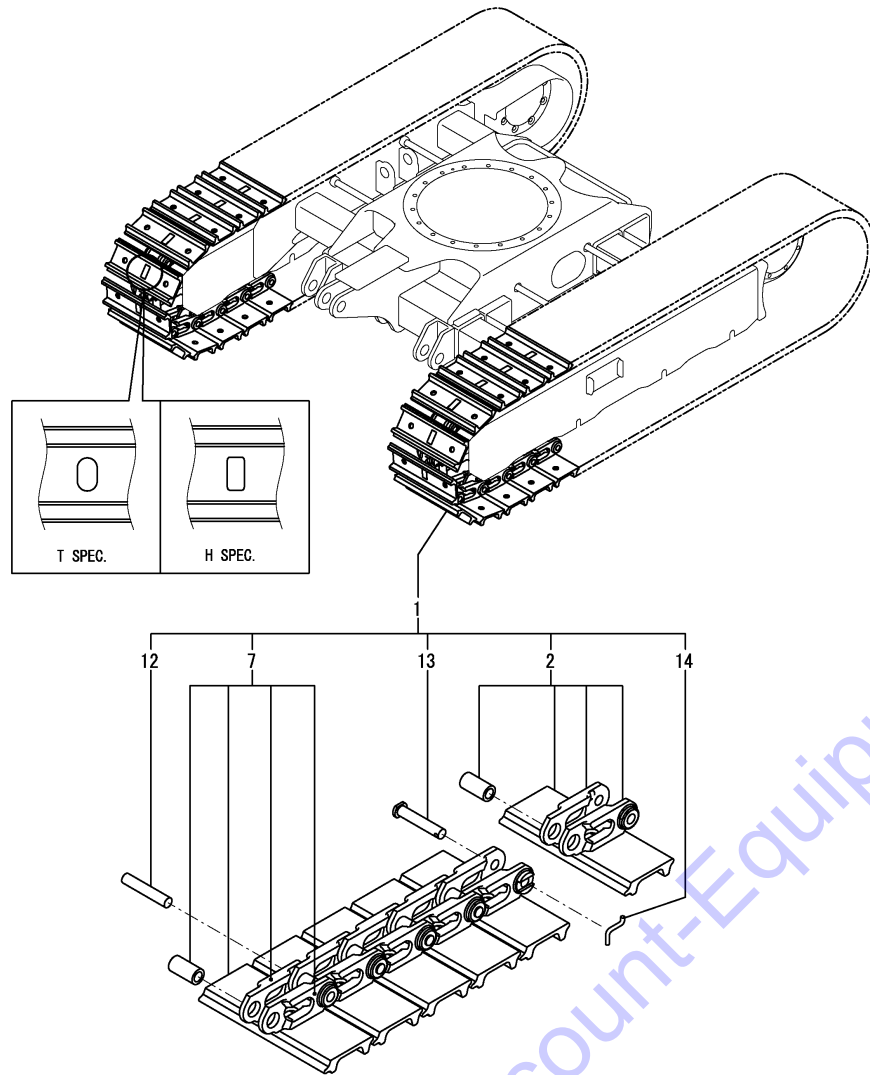
(D)=VIO17(SG)  
 (E)=  
 (F)=



No.	Lev.	Parts No.	Description	Q'ty						I	R
				(A)	(B)	(C)	(D)	(E)	(F)		
1	1	172A64-38600	CRAWLER, RUBBER	2	2	2	2				
2	1	172448-38101-1	CRAWLER ASSY (C=MOK102) (D=MOK102)			2	2			Z	1
3	2	172448-38110-2	LINK ASSY, TRACK			2	2				
8	3	172173-38200	BUSH 22.15X43			72	72				
9	3	172173-38210	PIN(CRAWLER)			70	70				
10	3	172173-38220	PIN,MASTER			2	2				
11	3	172173-38300	PIN 4X22,LOCK			2	2				
12	2	172448-38231	SHOE PLATE 230			72	72				
13	1	172448-38301-1	TRACK ASSY, MASTER			1	1				

Remarks  
 (1)Interchangeable by Fig.98(18A) No.1.  
 The inner parts are not compatible.

Fig.98. (18A)IRON CRAWLER(H SPEC.)



(A)=VIO17(US)  
 (B)=VIO17(AS)  
 (C)=VIO17(NZ)

(D)=VIO17(SG)  
 (E)=  
 (F)=

No.	Lev.	Parts No.	Description	Q'ty						I	R
				(A)	(B)	(C)	(D)	(E)	(F)		
1	1	172A64-38100	SHOE ASSY, TRUCK230 (C=M0K102) (D=M0K102)			2	2				W
2	2	172A64-38010	LINK ASSY, TRACK M			2	2				
7	2	172A64-38030	LINK ASSY, TRACK			70	70				
12	2	172A23-38210	PIN, TRACK			70	70				
13	2	172A23-38220	PIN, MASTER			2	2				
14	2	172A23-38230	PIN, CLAMPING			2	2				

Remarks

\* Iron crawler (T specification) are shown in Fig.18.

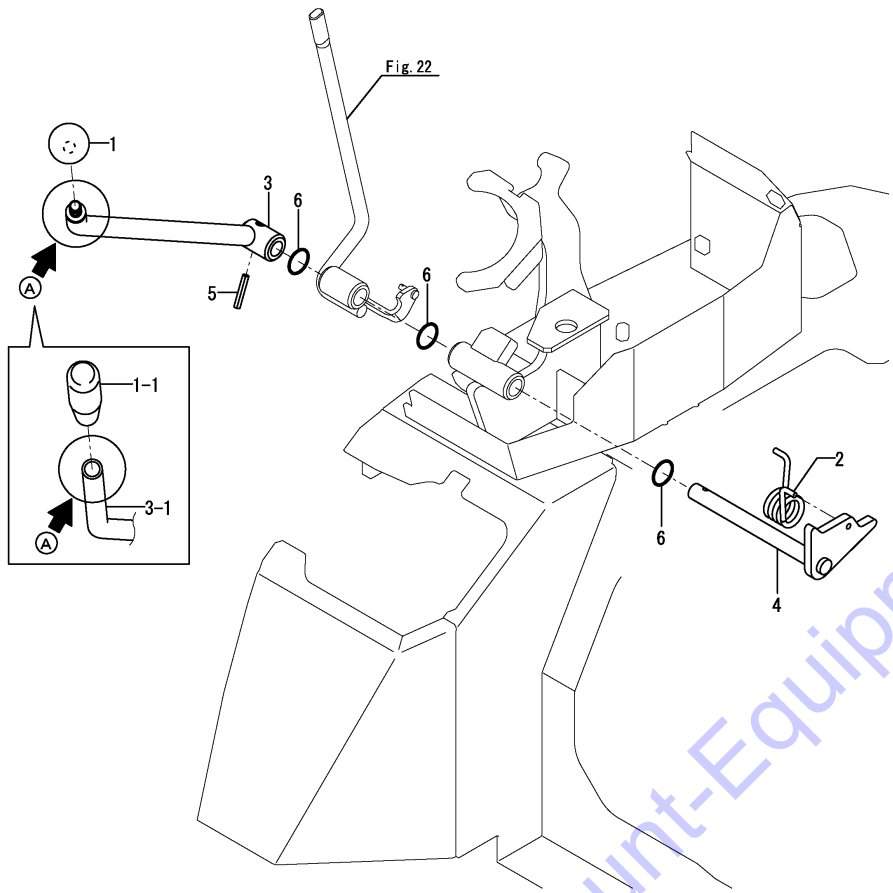
N:Old  $\xrightarrow{\text{Yes}}$  New, Q:Old  $\xrightarrow{\text{No}}$  New, R:Old  $\xrightarrow{\text{Yes}}$  New, S:Old  $\xrightarrow{\text{No}}$  New, W:Add, Z:Discontinued, F:Interchangeable by set, K:Q'ty Change

Fig.19. LOCK LEVER & STAND(RIGHT)

(A)=VIO17(US)  
 (B)=VIO17(AS)  
 (C)=VIO17(NZ)

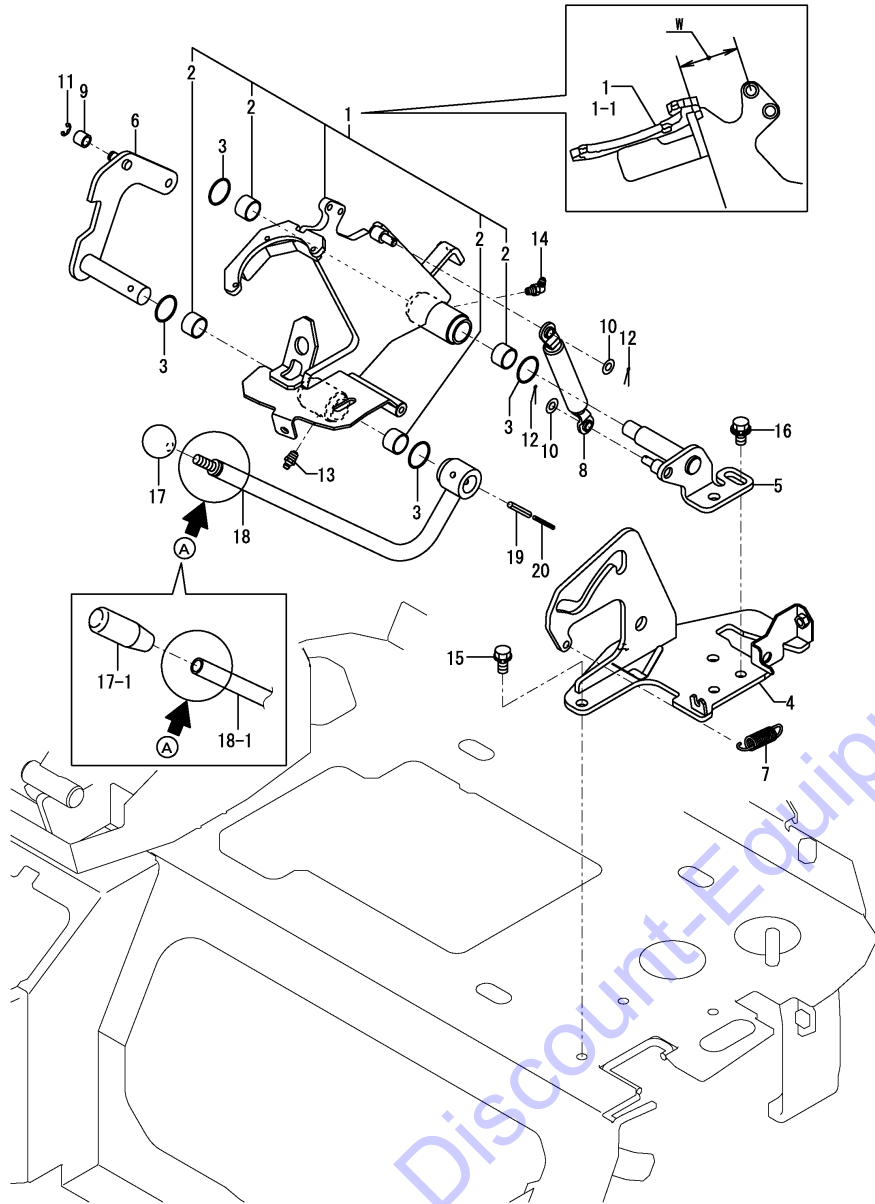
(D)=VIO17(SG)  
 (E)=  
 (F)=

No.	Lev.	Parts No.	Description	Q'ty						I	R
				(A)	(B)	(C)	(D)	(E)	(F)		
1	1	1D4070-23580	GRIP, ROUND 10	1	1	1	1				
1-1	1	172A77-46050	GRIP	1	1	1	1				S
		(A=M03816) (B=M03816) (C=M03816) (D=M03816)									
2	1	172165-45970	SPRING	1	1	1	1				
3	1	172A64-46450	LEVER ASSY, LOCK	1	1	1	1				
3-1	1	172A64-46451	LOCK LEVER ASSY,R	1	1	1	1				F 1
		(A=M03816) (B=M03816) (C=M03816) (D=M03816)									
4	1	172A64-46470	SHAFT ASSY, LEVER	1	1	1	1				
5	1	22351-050032	PIN, SPRING 5.0X32	1	1	1	1				
6	1	24311-000210	O-RING, 1AP21.0	3	3	3	3				



Remarks  
 (1)A=No.3 M10 screw, No.3-1 no screw. Interchangeable by simultaneous replacement with No.1-1.

Fig.20. LOCK LEVER & STAND(LEFT)



(A)=VIO17(US)  
(B)=VIO17(AS)  
(C)=VIO17(NZ)

(D)=VIO17(SG)  
(E)=  
(F)=

No.	Lev.	Parts No.	Description	Q'ty						I	R
				(A)	(B)	(C)	(D)	(E)	(F)		
1	1	172A64-46100	STAND ASSY, LEVER	1	1	1	1				
1-1	1	172A64-46101	STAND ASSY, LEVER	1	1	1	1			S	2
		(A=M03318) (B=M03318) (C=M03318)	(D=M03318)								
1-2	1	172A78-46101-1	STAND ASSY, LEVER	1	1	1	1				R
		(A=M03945) (B=M03945) (C=M03945)	(D=M03945)								
1-3	1	172A78-46101	STAND ASSY, LEVER	1	1	1	1				S
		(A=M0F001) (B=M0F001) (C=M0F001)	(D=M0F001)								
2	2	172141-41370	BUSH	4	4	4	4				
3	1	172124-46200	O-RING	4	4	4	4				
4	1	172A64-46210	BASE ASSY, LEVER	1	1	1	1				
4-1	1	172A64-46210-N	BASE ASSY, LEVER	1	1	1	1				S
		(A=M0F001) (B=M0F001) (C=M0F001)	(D=M0F001)								
5	1	172A47-46230	PLATE ASSY, BASE	1	1	1	1				
6	1	172A47-46310	ROD ASSY, SPRING	1	1	1	1				
7	1	172162-46690	SPRING	1	1	1	1				
7-1	1	172A69-46270	SPRING	1	1	1	1				N
		(A=M02357) (B=M02357) (C=M02357)	(D=M02357)								
8	1	172455-46890	SPRING, GAS	1	1	1	1				
9	1	172165-47550	BUSH	1	1	1	1				
10	1	22137-080000	WASHER, 8	2	2	2	2				
11	1	22272-000070	RING, E- 7	1	1	1	1				
12	1	22417-200200	PIN, COTTER 2.0X20	2	2	2	2				
13	1	24761-020000	NIPPLE, GREASE PT1/8	1	1	1	1				
14	1	24761-050000	NIPPLE, GREASE C	1	1	1	1				
15	1	26013-100202	BOLT, M10X 20	3	3	3	3				
16	1	26014-100252	BOLT, M10X 25	2	2	2	2				
17	1	1D4070-23580	GRIP, ROUND 10	1	1	1	1				
17-1	1	172A77-46050	GRIP	1	1	1	1				S
		(A=M03816) (B=M03816) (C=M03816)	(D=M03816)								
18	1	172A47-46343	LEVER ASSY, LOCK	1	1	1	1				
18-1	1	172A47-46344	LEVER ASSY, LOCK	1	1	1	1				F 1
		(A=M03816) (B=M03816) (C=M03816)	(D=M03816)								
19	1	22351-035040	PIN, SPRING 3.5X40	1	1	1	1				
20	1	22351-060040	PIN, SPRING 6.0X40	1	1	1	1				

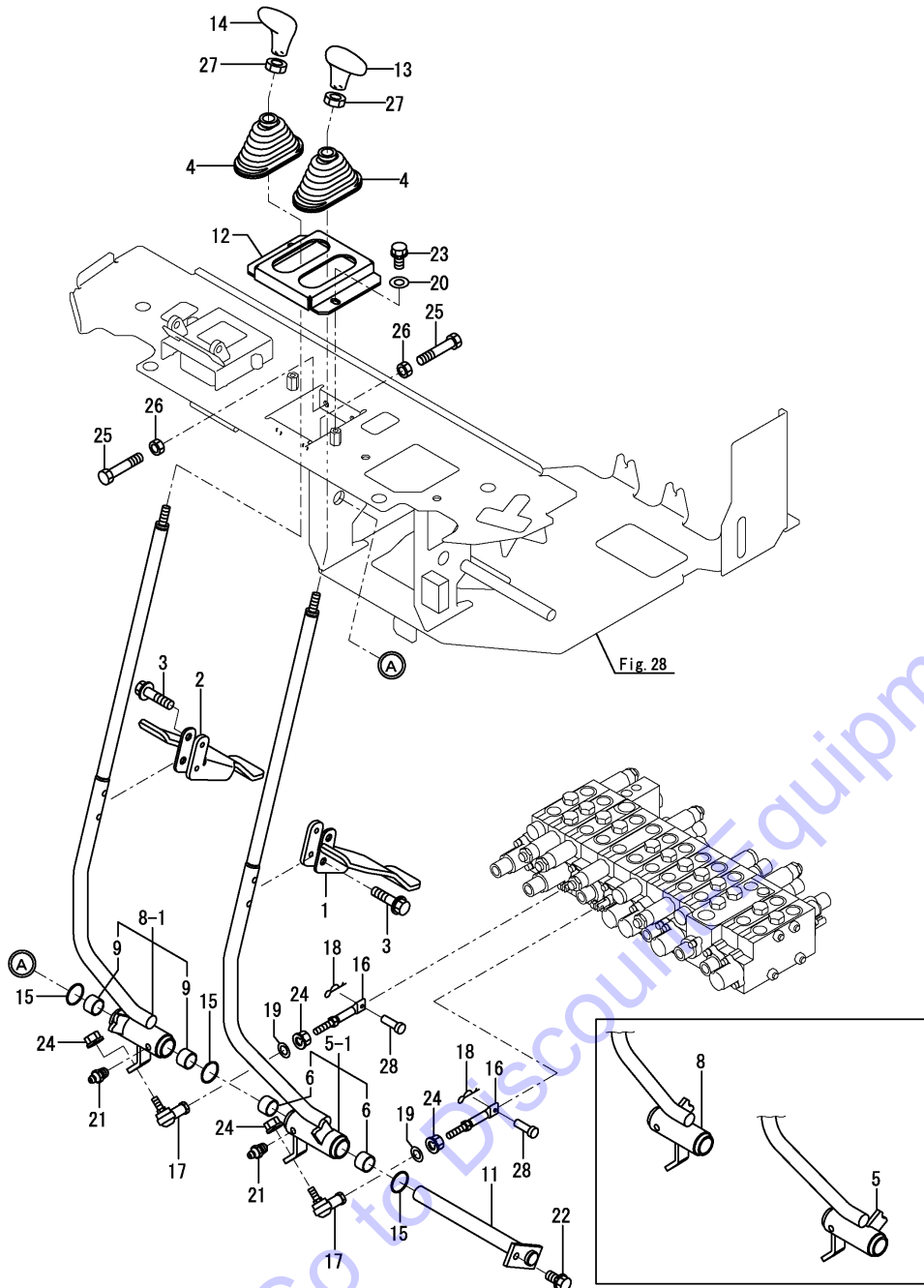
Remarks

(1)A=No.18 M10 screw, No.18-1 no screw. Interchangeable by simultaneous replacement with No.17-1.  
(2)W=No.1 41mm, No.1-1 45mm.

Fig.21. TRAVEL LEVER

(A)=VIO17(US)  
(B)=VIO17(AS)  
(C)=VIO17(NZ)

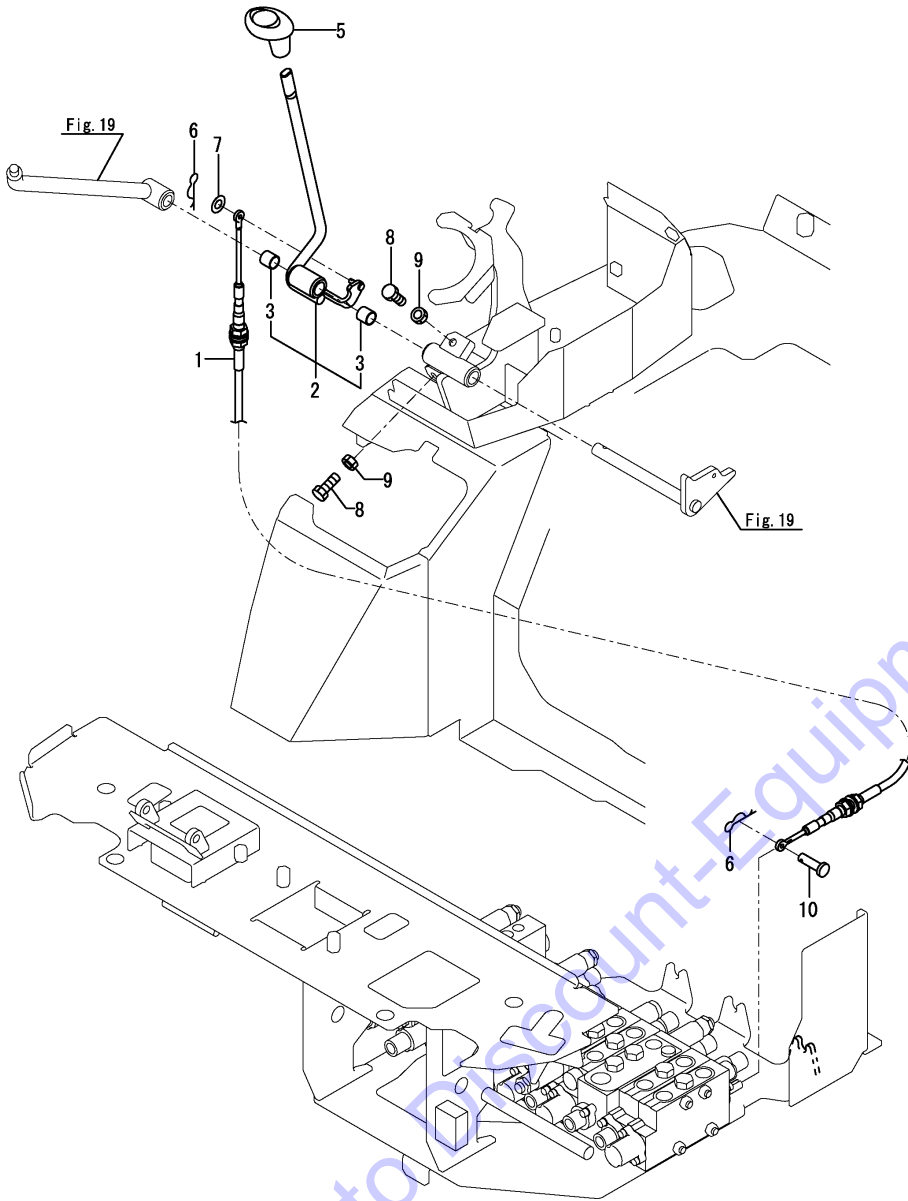
(D)=VIO17(SG)  
(E)=  
(F)=



No.	Lev.	Parts No.	Description	Q'ty						I	R
				(A)	(B)	(C)	(D)	(E)	(F)		
1	1	172A47-44200	PEDAL, TRUCK	1	1	1	1				
2	1	172A47-44230	PEDAL, TRUCK	1	1	1	1				
3	1	26106-080302	BOLT, M8X 30 PLATED	4	4	4	4				
4	1	172141-41340	BOOT	2	2	2	2				
5	1	172A64-45100	LEVER L, TRACK (49)	1	1	1	1				
5-1	1	172A64-45101	LEVER L ASSY, TRACK	1	1	1	1				S
		(A=M00805) (B=M00805) (C=M00805) (D=M00805)									
6	2	172141-41370	BUSH	2	2	2	2				
8	1	172A64-45130	LEVER ASSY, TRACK	1	1	1	1				
8-1	1	172A64-45131	LEVER R ASSY, TRACK	1	1	1	1				S
		(A=M00805) (B=M00805) (C=M00805) (D=M00805)									
9	2	172141-41370	BUSH	2	2	2	2				
11	1	172A64-45200	SHAFT ASSY	1	1	1	1				
12	1	172458-45510-1	BRACKET, BOOT	1	1	1	1				
13	1	172164-45951	GRIP, DRIVE	1	1	1	1				
14	1	172164-45961	GRIP, DRIVE	1	1	1	1				
15	1	172124-46200	O-RING	3	3	3	3				
16	1	172124-46340	ROD ASSY, SPOOL	2	2	2	2				
17	1	172122-46590	ELBOW	2	2	2	2				
18	1	1C6281-52310	PIN, SNAP 6	2	2	2	2				
19	1	22117-080000	WASHER, 8	2	2	2	2				
20	1	22137-080000	WASHER, 8	2	2	2	2				
21	1	24761-020000	NIPPLE, GREASE PT1/8	2	2	2	2				
22	1	26013-080162	BOLT, M8X 16	1	1	1	1				
23	1	26013-080162	BOLT, M8X 16	2	2	2	2				
24	1	26051-080002	NUT, M8	4	4	4	4				
25	1	26116-080404	BOLT, M8X 40 PLATED	4	4	4	4				
26	1	26756-080002	NUT, LOCK M8	4	4	4	4				
27	1	26756-100002	NUT, LOCK M10	2	2	2	2				
28	1	933110-54100	PIN	2	2	2	2				



Fig.22. BLADE LEVER



(A)=VIO17(US)  
 (B)=VIO17(AS)  
 (C)=VIO17(NZ)

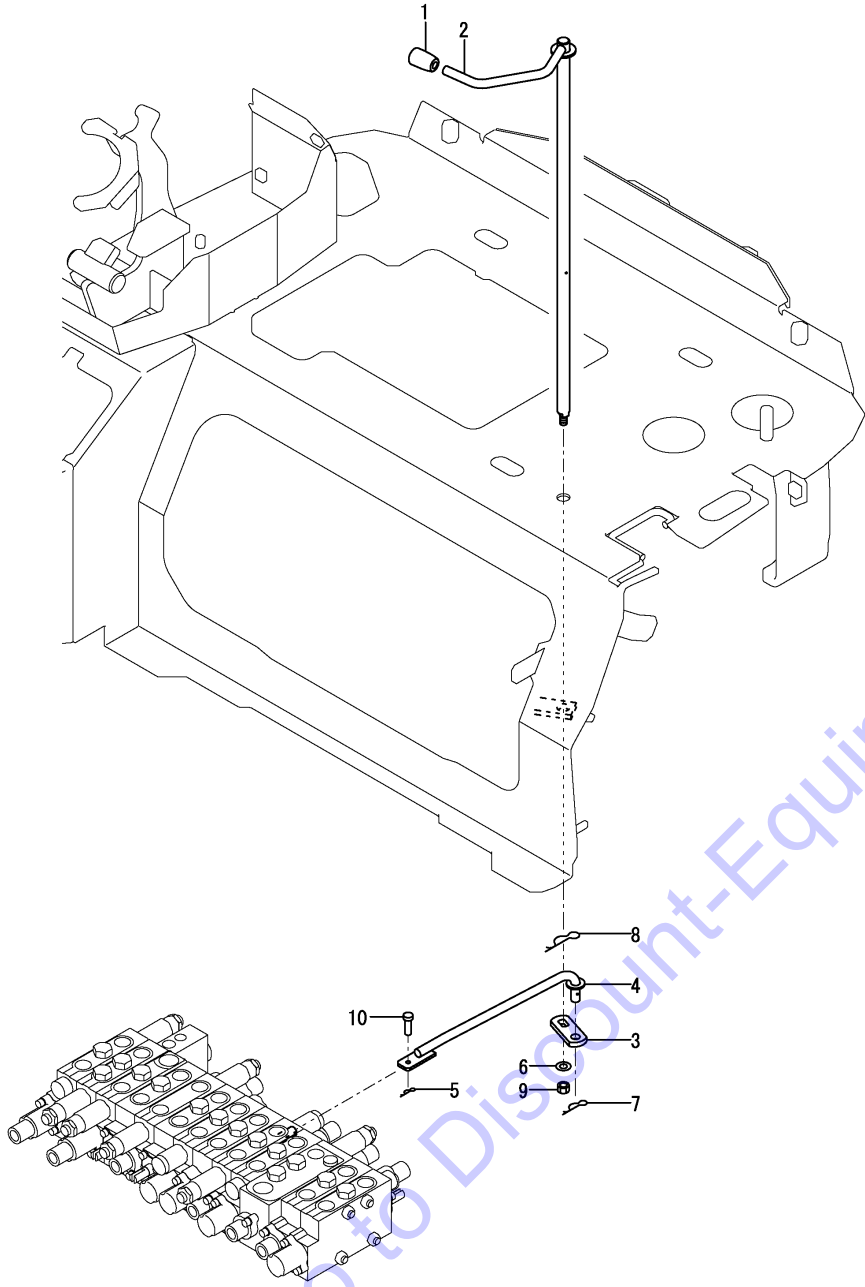
(D)=VIO17(SG)  
 (E)=  
 (F)=

No.	Lev.	Parts No.	Description	Q'ty						I	R
				(A)	(B)	(C)	(D)	(E)	(F)		
1	1	172A64-45690	CABLE, BLADE	1	1	1	1				
2	1	172A64-45700	LEVER ASSY, BLADE	1	1	1	1				
3	2	172141-41360	BUSH	2	2	2	2				
5	1	172164-45970	GRIP, BLADE	1	1	1	1				
6	1	1C6281-52310	PIN, SNAP 6	2	2	2	2				
7	1	22137-050000	WASHER, 5	1	1	1	1				
8	1	26116-080254	BOLT, M8X 25 PLATED	2	2	2	2				
8-1	1	26116-080252	BOLT, M8X 25 PLATED	2	2	2	2				N
		(A=*2007.08)	(B=*2007.08)	(C=*2007.08)	(D=*2007.08)						
9	1	26756-080002	NUT, LOCK M8	2	2	2	2				
10	1	933110-54100	PIN	2	2	2	2				

Fig.23. VARIABLE LEG LEVER

(A)=VIO17(US)  
 (B)=VIO17(AS)  
 (C)=VIO17(NZ)

(D)=VIO17(SG)  
 (E)=  
 (F)=

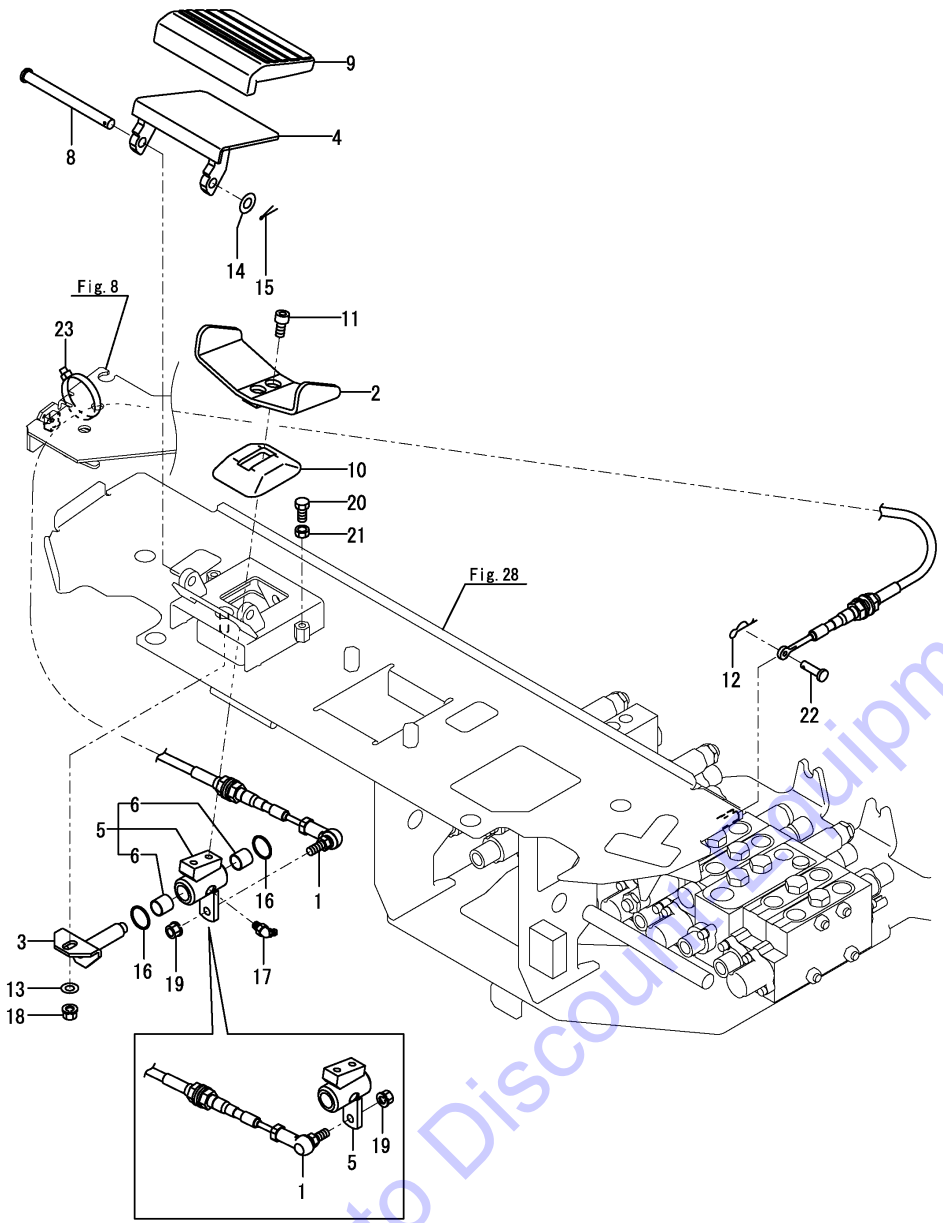


No.	Lev.	Parts No.	Description	Q'ty						I	R
				(A)	(B)	(C)	(D)	(E)	(F)		
1	1	194150-01190	KNOB, THROTTLE LEVER	1	1	1	1				
2	1	172A64-45800	LEVER ASSY, W-N	1	1	1	1				
3	1	172A64-45840	PLATE, LINK	1	1	1	1				
4	1	172A64-45850	ARM ASSY, LINK	1	1	1	1				
5	1	1C6281-52310	PIN, SNAP 6	1	1	1	1				
6	1	22137-080000	WASHER, 8	1	1	1	1				
7	1	22372-100000	PIN, SNAP 10	1	1	1	1				
8	1	22372-140000	PIN, SNAP 14	1	1	1	1				
9	1	26347-080002	NUT, M8	1	1	1	1				
10	1	933110-54100	PIN	1	1	1	1				

Fig.24. SWING PEDAL

(A)=VIO17(US)  
(B)=VIO17(AS)  
(C)=VIO17(NZ)

(D)=VIO17(SG)  
(E)=  
(F)=

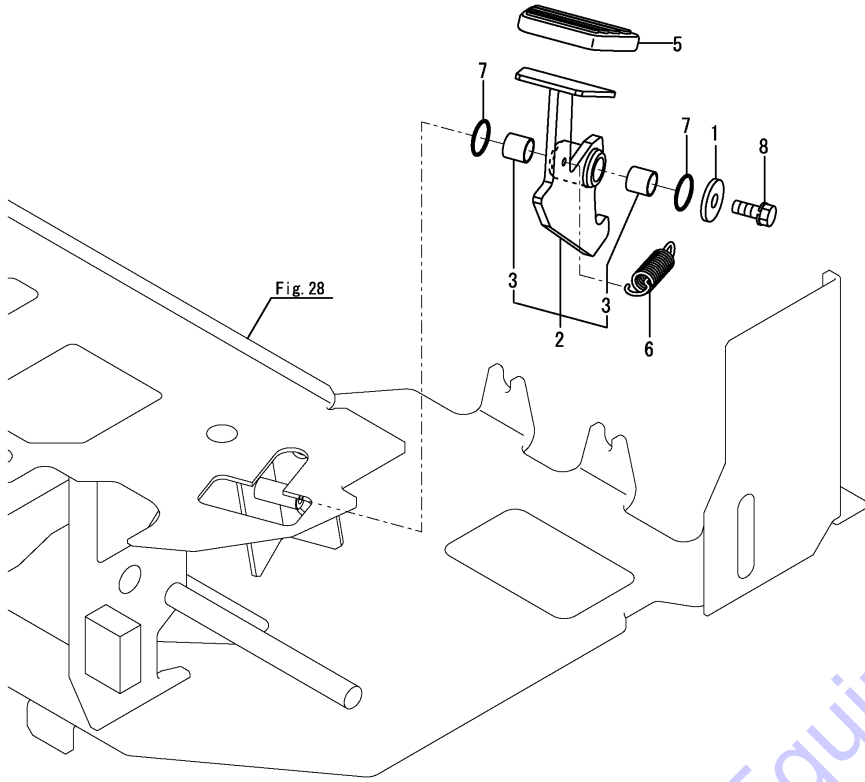


No.	Lev.	Parts No.	Description	Q'ty						I	R
				(A)	(B)	(C)	(D)	(E)	(F)		
1	1	172A64-45280	CABLE, SWING	1	1	1	1				
2	1	172458-45521-1	PEDAL, SWING	1	1	1	1				
3	1	172187-45530	SHAFT ASSY	1	1	1	1				
4	1	172458-45540-1	COVER, PEDAL	1	1	1	1				
5	1	172A64-45650	LINK, ASSY	1	1	1	1				
6	2	172141-41360	BUSH	2	2	2	2				
8	1	172187-45651	SHAFT	1	1	1	1				
9	1	172187-45760	PAD	1	1	1	1				
10	1	172157-45990	BOOT, PEDAL	1	1	1	1				
11	1	172165-46340	BOLT	2	2	2	2				
12	1	1C6281-52310	PIN, SNAP 6	1	1	1	1				
13	1	22137-080000	WASHER, 8	1	1	1	1				
14	1	22137-100000	WASHER, 10	1	1	1	1				
15	1	22417-250200	PIN, COTTER 2.5X20	1	1	1	1				
16	1	24311-000210	O-RING, 1AP21.0	2	2	2	2				
17	1	24761-040000	NIPPLE, GREASE B	1	1	1	1				
18	1	26051-080002	NUT, M8	1	1	1	1				
19	1	26051-080002	NUT, M8	1	1	1	1				
20	1	26116-080254	BOLT, M8X 25 PLATED	2	2	2	2				
21	1	26716-080002	NUT, M8	2	2	2	2				
22	1	933110-54100	PIN	1	1	1	1				
23	1	172614-16520	BAND 100	1	1	1	1				W
				(A=*2008.10)	(B=*2008.10)	(C=*2008.10)	(D=*2008.10)				

Fig.25. LOW-HIGH PEDAL

(A)=VIO17(US)  
 (B)=VIO17(AS)  
 (C)=VIO17(NZ)

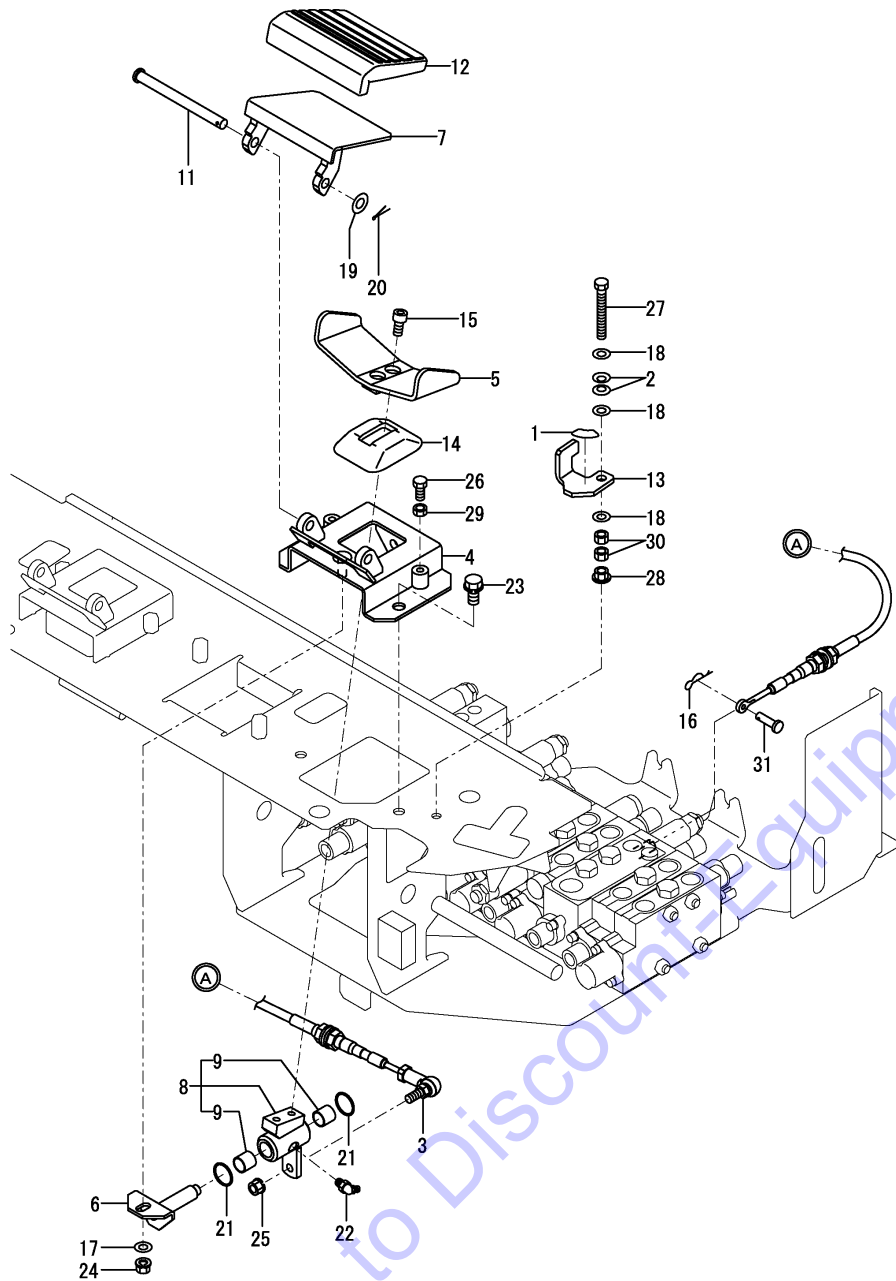
(D)=VIO17(SG)  
 (E)=  
 (F)=



No.	Lev.	Parts No.	Description	Q'ty						I	R
				(A)	(B)	(C)	(D)	(E)	(F)		
1	1	1A1040-43900	WASHER, SPRING	1	1	1	1				
2	1	172A64-45900	PEDAL ASSY (GRAY:49)	1	1	1	1				
3	2	172141-41360	BUSH	2	2	2	2				
5	1	172458-45950	PAD, PEDAL	1	1	1	1				
6	1	172162-46690	SPRING	1	1	1	1				
7	1	24311-000210	O-RING, 1AP21.0	2	2	2	2				
8	1	26013-080162	BOLT, M8X 16	1	1	1	1				

Go to Discount-Equipment.com to order your parts

Fig.26. P.T.O. PEDAL



(A)=VIO17(US)  
 (B)=VIO17(AS)  
 (C)=VIO17(NZ)

(D)=VIO17(SG)  
 (E)=  
 (F)=

No.	Lev.	Parts No.	Description	Q'ty						I	R
				(A)	(B)	(C)	(D)	(E)	(F)		
1	1	172458-03240	LABEL, LOCK	1	1	1	1				
2	1	172068-28490	SPRING	2	2	2	2				
3	1	172A64-45290	CABLE, PTO	1	1	1	1				
4	1	172448-45380-1	BRACKET, PTO	1	1	1	1				
5	1	172458-45521-1	PEDAL, SWING	1	1	1	1				
6	1	172187-45530	SHAFT ASSY	1	1	1	1				
7	1	172458-45540-1	COVER, PEDAL	1	1	1	1				
8	1	172A64-45650	LINK, ASSY	1	1	1	1				
9	2	172141-41360	BUSH	2	2	2	2				
11	1	172187-45651	SHAFT	1	1	1	1				
12	1	172187-45760	PAD	1	1	1	1				
13	1	172448-45800-3	PLATE, PTO LOCK	1	1	1	1				
14	1	172157-45990	BOOT, PEDAL	1	1	1	1				
15	1	172165-46340	BOLT	2	2	2	2				
16	1	1C6281-52310	PIN, SNAP 6	1	1	1	1				
17	1	22137-080000	WASHER, 8	1	1	1	1				
18	1	22137-080000	WASHER, 8	3	3	3	3				
19	1	22137-100000	WASHER, 10	1	1	1	1				
20	1	22417-250200	PIN, COTTER 2.5X20	1	1	1	1				
21	1	24311-000210	O-RING, 1AP21.0	2	2	2	2				
22	1	24761-040000	NIPPLE, GREASE B	1	1	1	1				
23	1	26013-100202	BOLT, M10X 20	2	2	2	2				
24	1	26051-080002	NUT, M8	1	1	1	1				
25	1	26051-080002	NUT, M8	1	1	1	1				
26	1	26116-080254	BOLT, M8X 25 PLATED	2	2	2	2				
27	1	26116-080604	BOLT, M8X 60 PLATED	1	1	1	1				
28	1	26366-080002	NUT, M8	1	1	1	1				
29	1	26716-080002	NUT, M8	2	2	2	2				
30	1	26757-080002	NUT, LOCK M8	2	2	2	2				
31	1	933110-54100	PIN	1	1	1	1				

Fig.27. ARMREST

(A)=VIO17(US)  
 (B)=VIO17(AS)  
 (C)=VIO17(NZ)

(D)=VIO17(SG)  
 (E)=  
 (F)=

No.	Lev.	Parts No.	Description	Q'ty						I	R
				(A)	(B)	(C)	(D)	(E)	(F)		
1	1	172441-44320	ARMREST	2	2	2	2				
2	1	172A46-46500	GUIDE ASSY	1	1	1	1				
3	1	172A46-46530	PLATE, GUIDE	1	1	1	1				
4	1	172519-63240	BOLT	4	4	4	4				
5	1	172519-63240	BOLT	4	4	4	4				

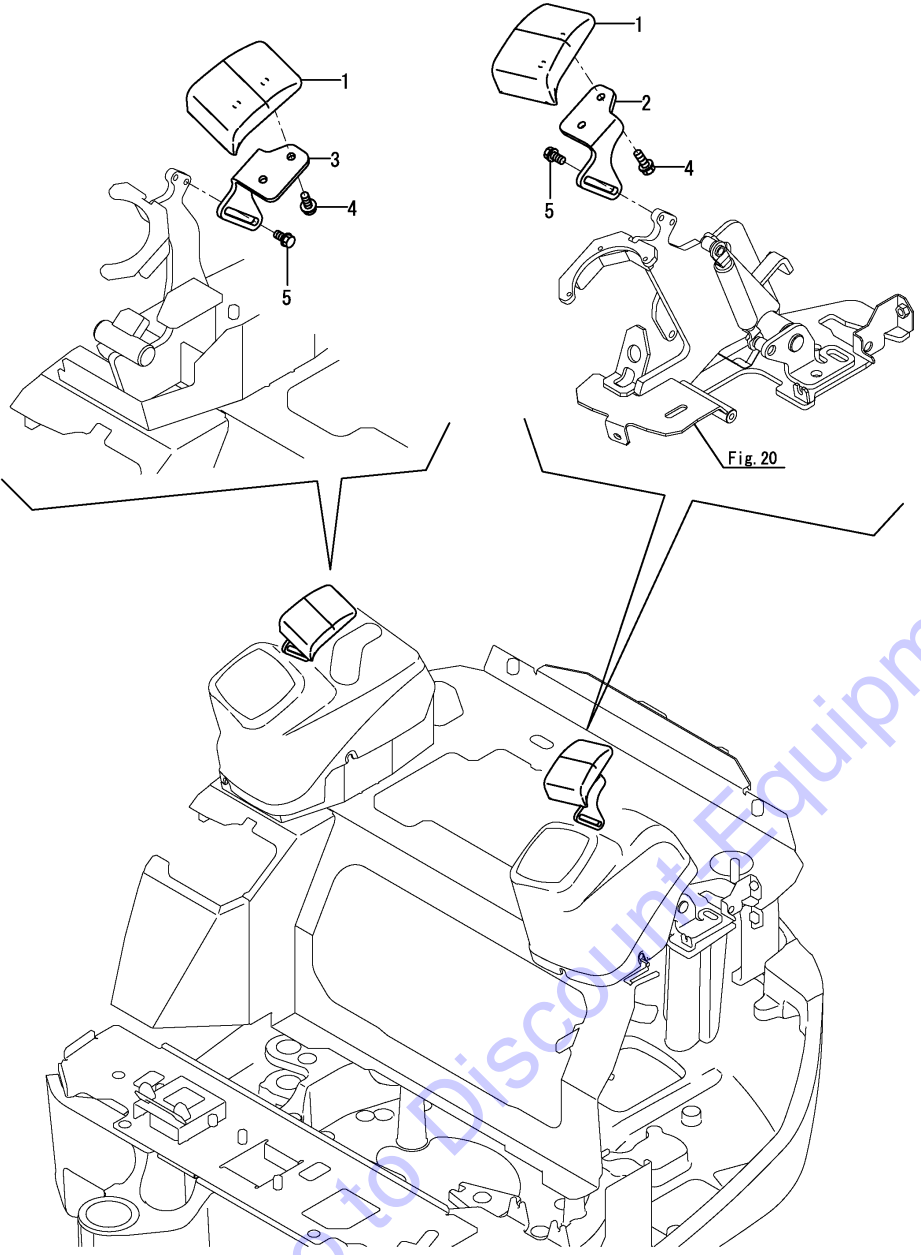


Fig. 20

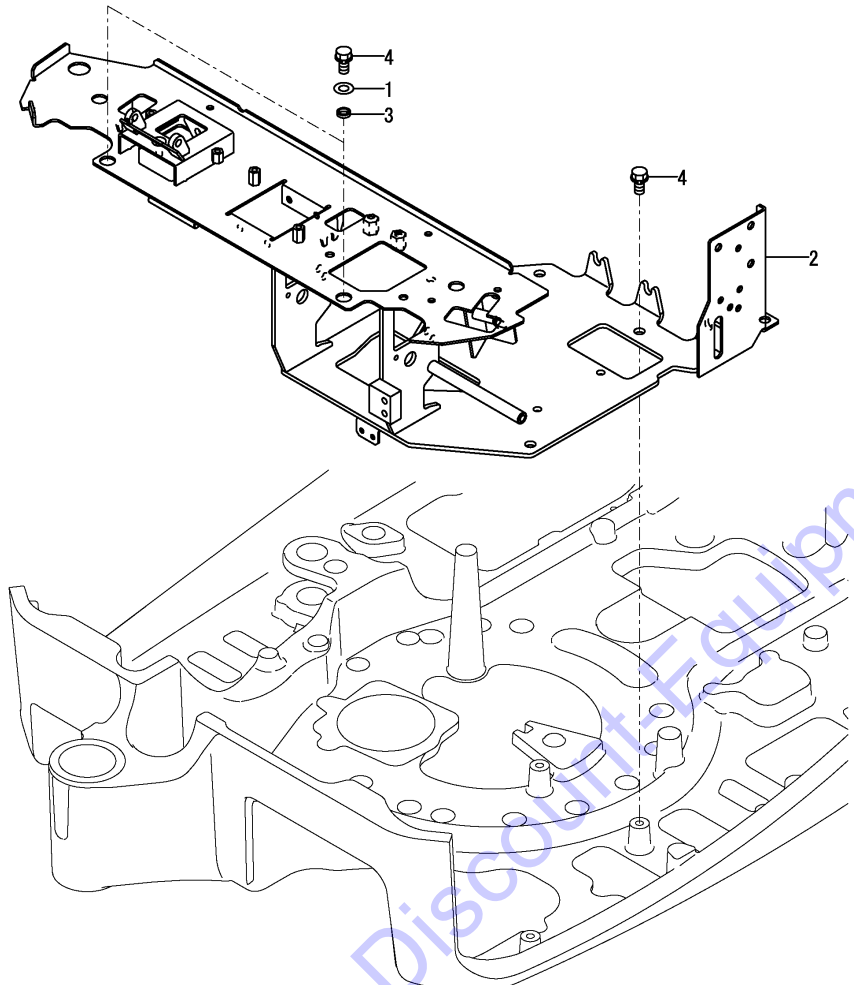
Goto Discount Equipment.com to order your parts

Fig.28. CONTROL VALVE PLATE

(A)=VIO17(US)  
 (B)=VIO17(AS)  
 (C)=VIO17(NZ)

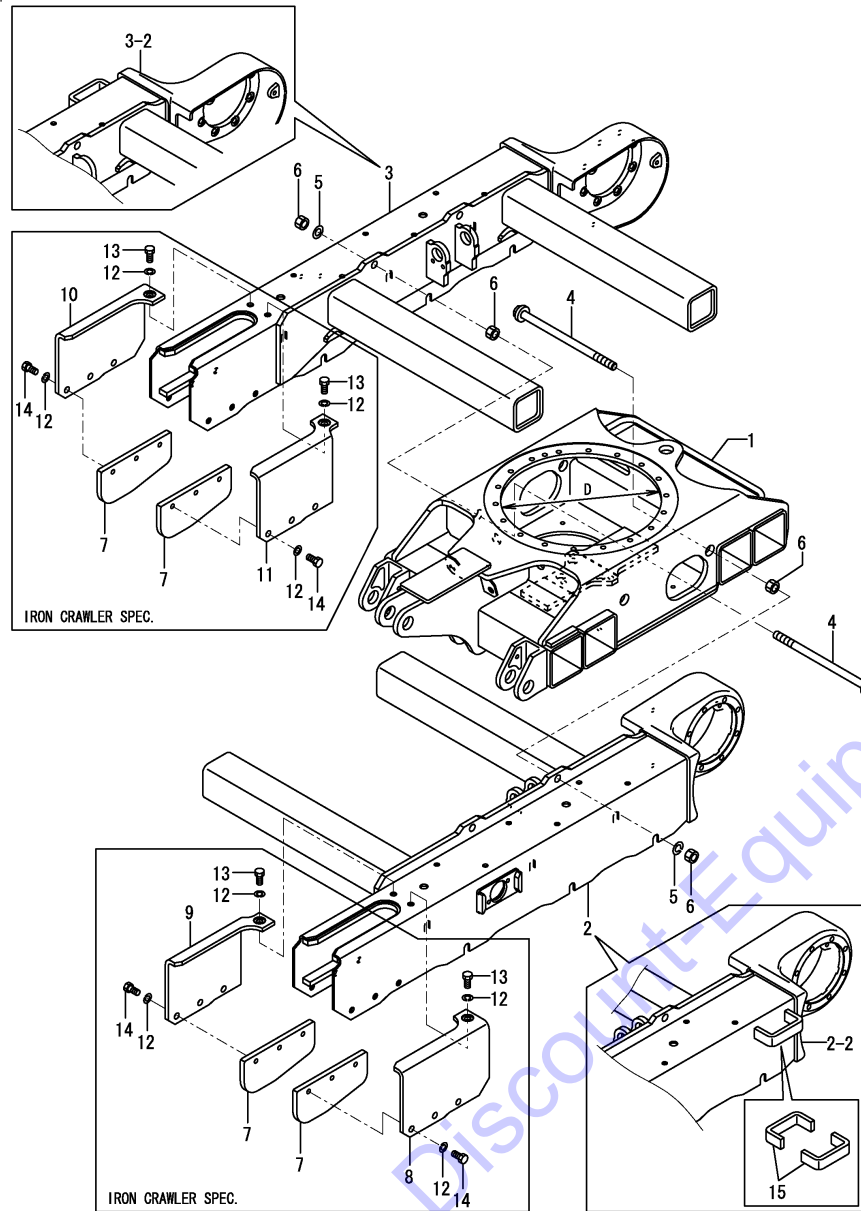
(D)=VIO17(SG)  
 (E)=  
 (F)=

No.	Lev.	Parts No.	Description	Q'ty						I	R
				(A)	(B)	(C)	(D)	(E)	(F)		
1	1	172730-05250	WASHER	2	2	2	2				
2	1	172A64-45420	STAND ASSY, VALVE	1	1	1	1				
2-1	1	172A64-45421	STAND ASSY, VALVE	1	1	1	1				N
2-2	1	172A64-45422	VALVE STAND ASSY	1	1	1	1				N
		(A=M0D121) (B=M0D121) (C=M0D121) (D=M0D121)									
3	1	172A64-45580	COLLAR	2	2	2	2				
4	1	26013-120252	BOLT, M12X 25	6	6	6	6				



Go to [www.go-to-discount.com](http://www.go-to-discount.com) to order your parts

Fig.29. TRAVEL FRAME(US,AS,NZ)



(A)=VIO17(US)  
(B)=VIO17(AS)  
(C)=VIO17(NZ)

(D)=VIO17(SG)  
(E)=  
(F)=

No.	Lev.	Parts No.	Description	Q'ty						I	R
				(A)	(B)	(C)	(D)	(E)	(F)		
1	1	172A64-50200	FRAME,L-CENTER (49)	1	1	1					
1-1	1	172A64-50201	FRAME ASSY,L-CENTER	1	1	1					S 2
		(A=M03083) (B=M03083) (C=M03083)									
2	1	172A64-50400	FRAME, CRAWLER	1	1	1					
2-1	1	172A64-50401	FRAME,CRAWLER L(49)	1	1	1					N
		(A=M02523) (B=M02523) (C=M02523)									
2-2	1	172A64-50630	FRAME ASSY,CRAWLER L	1	1	1					N
		(A=M02965) (B=M02965) (C=M02965)									
2-3	1	172A64-50631	FRAME ASSY,CRAWLER L	1	1	1					N
		(A=M03829) (B=M03829) (C=M03829)									
3	1	172A64-50410	FRAME, CRAWLER	1	1	1					
3-1	1	172A64-50411	FRAME,CRAWLER R(49)	1	1	1					N
		(A=M02523) (B=M02523) (C=M02523)									
3-2	1	172A64-50640	FRAME ASSY,CRAWLER R	1	1	1					N
		(A=M02956) (B=M02956) (C=M02956)									
3-3	1	172A64-50641	FRAME ASSY,CRAWLER R	1	1	1					N
		(A=M03829) (B=M03829) (C=M03829)									
4	1	172A64-50700	BOLT ASSY, STOPPER	4	4	4					
4-1	1	172A64-50701	BOLT ASSY, STOPPER	4	4	4					R
		(A=M00805) (B=M00805) (C=M00805) (D=M00805)									
5	1	22212-160000	SPRING WAHER 16	4	4	4					
6	1	26716-160002	NUT, M16	8	8	8					
7	1	172448-50800-1	GUARD, SHOE								4
8	1	172A64-50810	PLATE, SIDE								1
9	1	172A64-50820	PLATE, SIDE								1
10	1	172A64-50830	PLATE, SIDE								1
11	1	172A64-50840	PLATE, SIDE								1
12	1	22217-120000	WASHER, SPRING 12								16
13	1	26076-120252	BOLT, 10.912X 25								4
14	1	26076-120302	BOLT, 10.912X 30								12
15	1	172A64-50950	TIE DOWN KIT	1	1	1					W 1
		(A=M02965) (B=M02965) (C=M02965)									

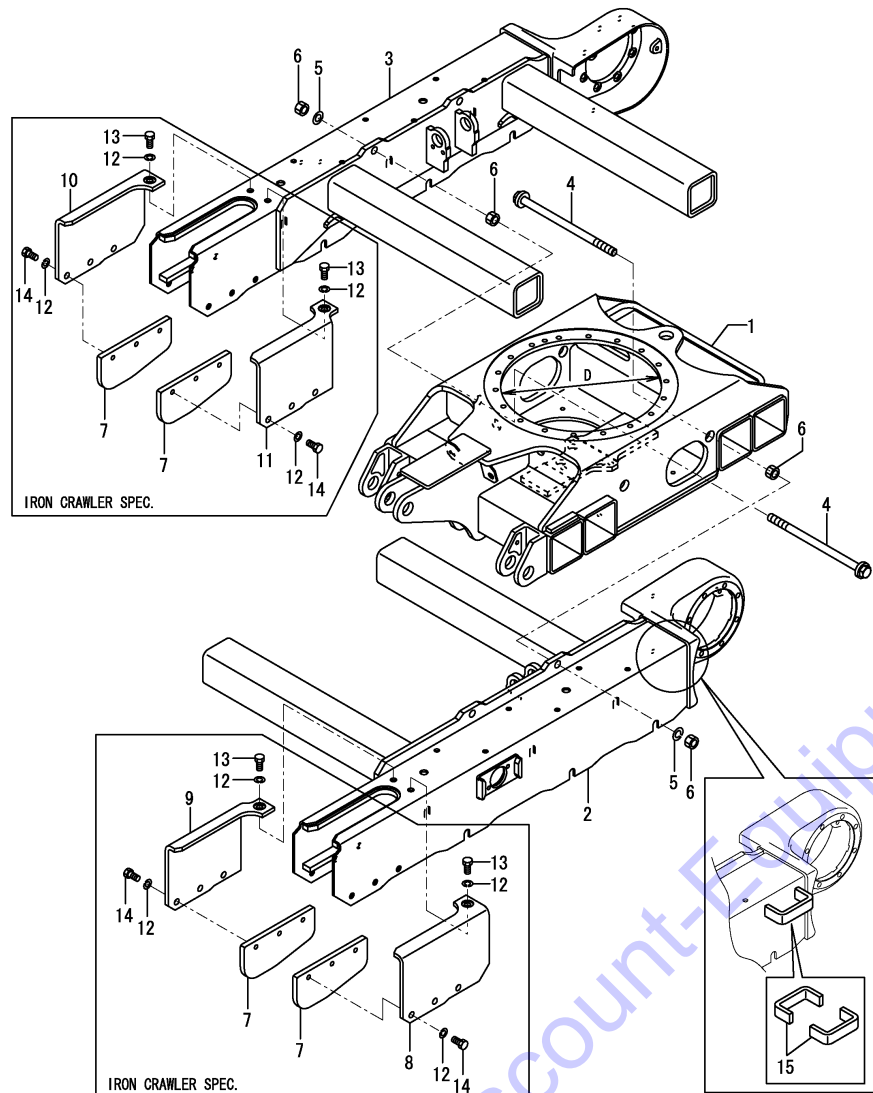
Remarks  
(1)Remodeling kit.  
(2)D=No.1 340mm, No.1-1 330mm.



Fig.92. (29A)TRAVEL FRAME(SG)

(A)=VIO17(US)  
(B)=VIO17(AS)  
(C)=VIO17(NZ)

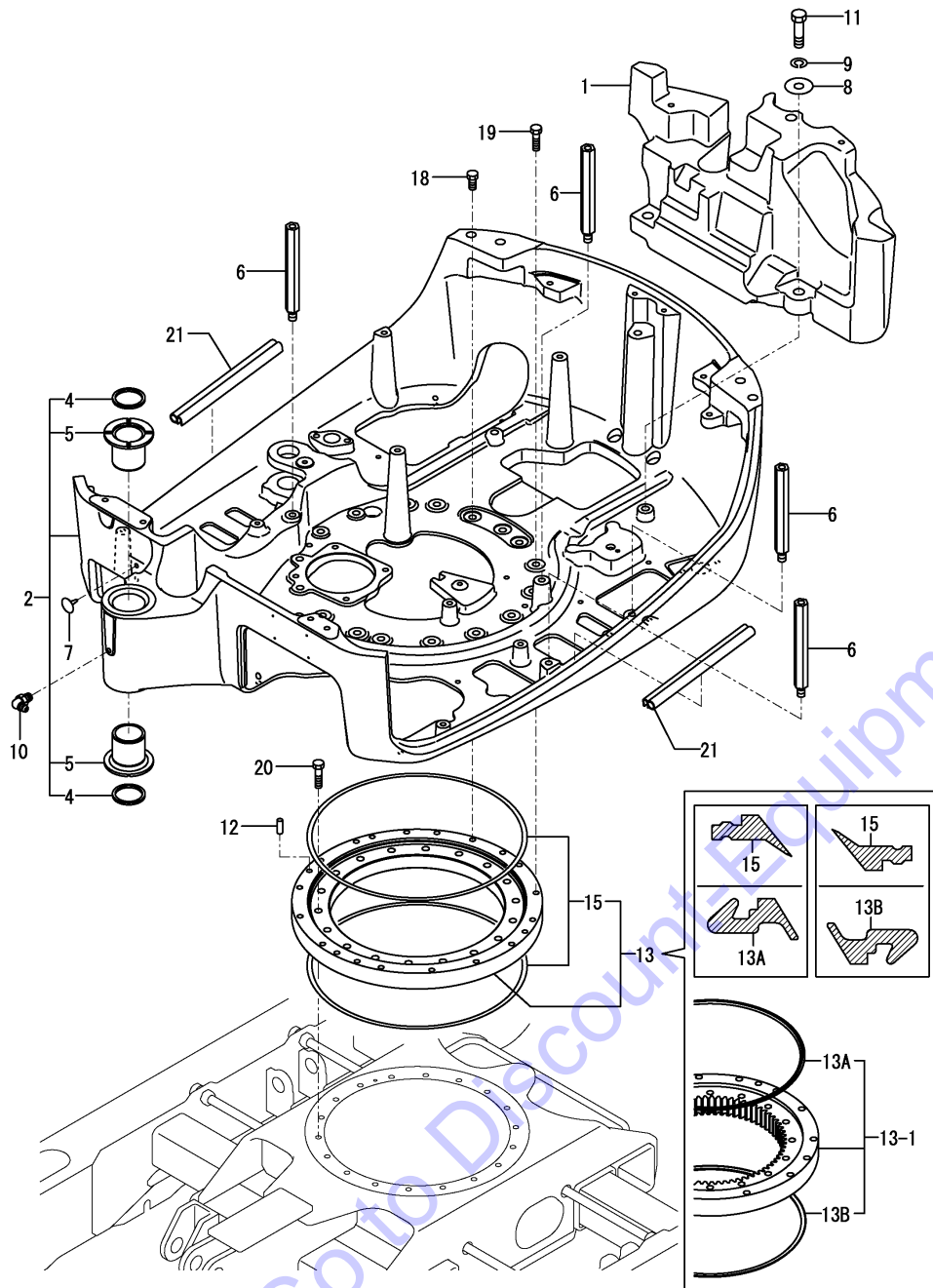
(D)=VIO17(SG)  
(E)=  
(F)=



No.	Lev.	Parts No.	Description	Q'ty						I	R
				(A)	(B)	(C)	(D)	(E)	(F)		
1	1	172A64-50200	FRAME,L-CENTER (49)				1				
1-1	1	172A64-50201	FRAME ASSY,L-CENTER (D=M03083)				1				S 2
2	1	172A64-50400	FRAME, CRAWLER				1				
2-1	1	172A64-50401	FRAME,CRAWLER L(49) (D=M02523)				1				N
2-2	1	172A64-50402	FRAME ASSY,CRAWLER L (D=M02965)				1				N
3	1	172A64-50410	FRAME, CRAWLER				1				
3-1	1	172A64-50411	FRAME,CRAWLER R(49) (D=M02523)				1				N
3-2	1	172A64-50412	FRAME ASSY,CRAWLER R (D=M03753)				1				N
4	1	172A64-50700	BOLT ASSY, STOPPER				4				
4-1	1	172A64-50701	BOLT ASSY, STOPPER (D=M00805)				4				R
5	1	22212-160000	SPRING WAHER 16				4				
6	1	26716-160002	NUT, M16				8				
7	1	172448-50800-1	GUARD, SHOE				4				
8	1	172A64-50810	PLATE, SIDE				1				
9	1	172A64-50820	PLATE, SIDE				1				
10	1	172A64-50830	PLATE, SIDE				1				
11	1	172A64-50840	PLATE, SIDE				1				
12	1	22217-120000	WASHER, SPRING 12				16				
13	1	26076-120252	BOLT, 10.912X 25				4				
14	1	26076-120302	BOLT, 10.912X 30				12				
15	1	172A64-50950	TIE DOWN KIT (D=M02965)				1				W 1

Remarks  
(1)Remodeling kit.  
(2)D=No.1 340mm, No.1-1 330mm.

Fig.30. TURNING FRAME & TURNING BEARING



(A)=VIO17(US)  
(B)=VIO17(AS)  
(C)=VIO17(NZ)

(D)=VIO17(SG)  
(E)=  
(F)=

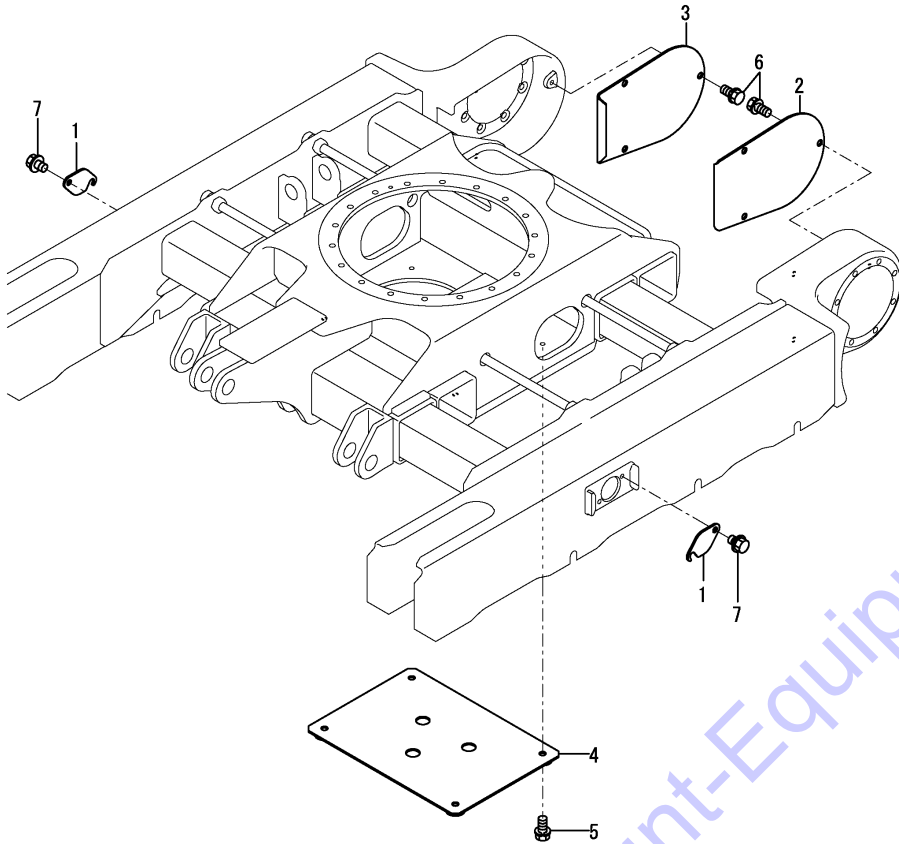
No.	Lev.	Parts No.	Description	Q'ty						I	R
				(A)	(B)	(C)	(D)	(E)	(F)		
1	1	172A64-53300	WEIGHT	1	1	1	1				
2	1	172A64-54100	FRAME ASSY, TURNING	1	1	1	1				
4	2	172448-54120	SEAL, DUST	2	2	2	2				
5	2	172171-54750	BUSH 50X65	2	2	2	2				
6	1	172A64-54230	SUPPORT, STAND	4	4	4	4				
7	1	172176-68210	CLIP, TREE	2	2	2	2				
8	1	22157-140000	WASHER, 14	3	3	3	3				
9	1	22212-160000	SPRING WAHER 16	3	3	3	3				
9-1	1	22217-160000	WASHER, SPRING 16	3	3	3	3				N
		(A=*2007.08)	(B=*2007.08)	(C=*2007.08)	(D=*2007.08)						
10	1	24761-050000	NIPPLE, GREASE C	1	1	1	1				
11	1	26116-160602	BOLT, M16X 60 PLATED	3	3	3	3				
12	1	194940-24350	PIN, PARALLEL 10X28	3	3	3	3				
13	1	172447-57600	BEARING, SWING	1	1	1	1				
13-1	1	172447-57601	BEARING, TURNING	1	1	1	1				R
		(A=M0N538)	(B=M0N538)	(C=M0N538)	(D=M0N538)						
13A	2	172A64-57620	SEAL, A	1	1	1	1				W
		(A=M0N538)	(B=M0N538)	(C=M0N538)	(D=M0N538)						
13B	2	172A64-57630	SEAL, B	1	1	1	1				W
		(A=M0N538)	(B=M0N538)	(C=M0N538)	(D=M0N538)						
15	2	172149-57610	SEAL SET	1	1	1	1				Z
		(A=M0N538)	(B=M0N538)	(C=M0N538)	(D=M0N538)						
18	1	26076-120252	BOLT, 10.912X 25	3	3	3	3				
19	1	26076-120402	BOLT, 10.912X 40	14	14	14	14				
20	1	26076-120452	BOLT, 10.912X 45	18	18	18	18				
21	1	172444-54920	SEAL, WEIGHT	2	2	2	2				

Fig.31. COVER(TRAVEL FRAME)

(A)=VIO17(US)  
 (B)=VIO17(AS)  
 (C)=VIO17(NZ)

(D)=VIO17(SG)  
 (E)=  
 (F)=

No.	Lev.	Parts No.	Description	Q'ty						I	R
				(A)	(B)	(C)	(D)	(E)	(F)		
1	1	172458-50480-2	COVER, FRAME	2	2	2	2				
2	1	172A64-61500	COVER, MOTOR	1	1	1	1				
3	1	172A64-61510	COVER, MOTOR	1	1	1	1				
4	1	172A64-61520	COVER ASSY	1	1	1	1				
5	1	26013-100202	BOLT, M10X 20	4	4	4	4				
6	1	26014-100202	BOLT, M10X 20	6	6	6	6				
7	1	26106-100122	BOLT, M10X 12 PLATED	4	4	4	4				

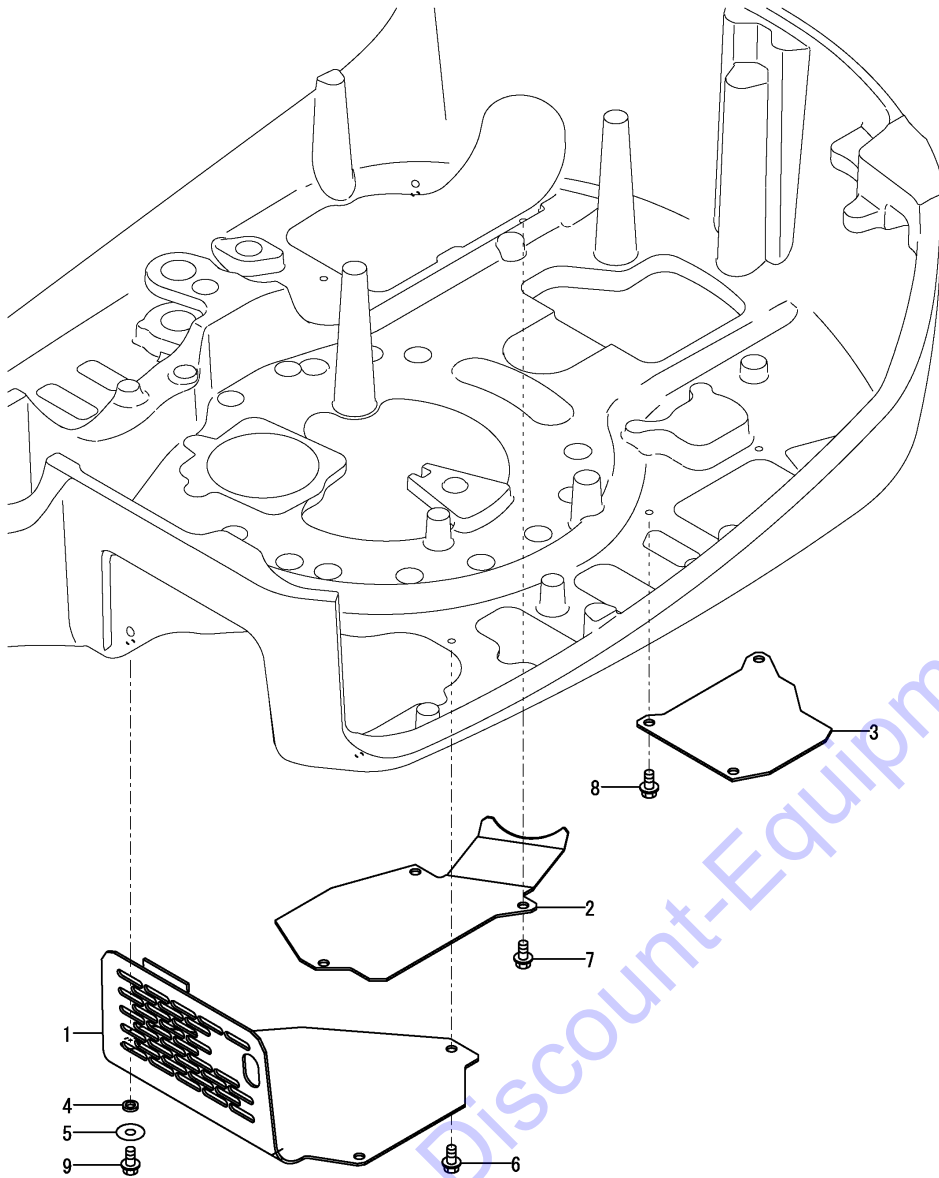


Go to Discount-Equipment.com to order your parts

Fig.32. COVER(TURNING FRAME)

(A)=VIO17(US)  
 (B)=VIO17(AS)  
 (C)=VIO17(NZ)

(D)=VIO17(SG)  
 (E)=  
 (F)=

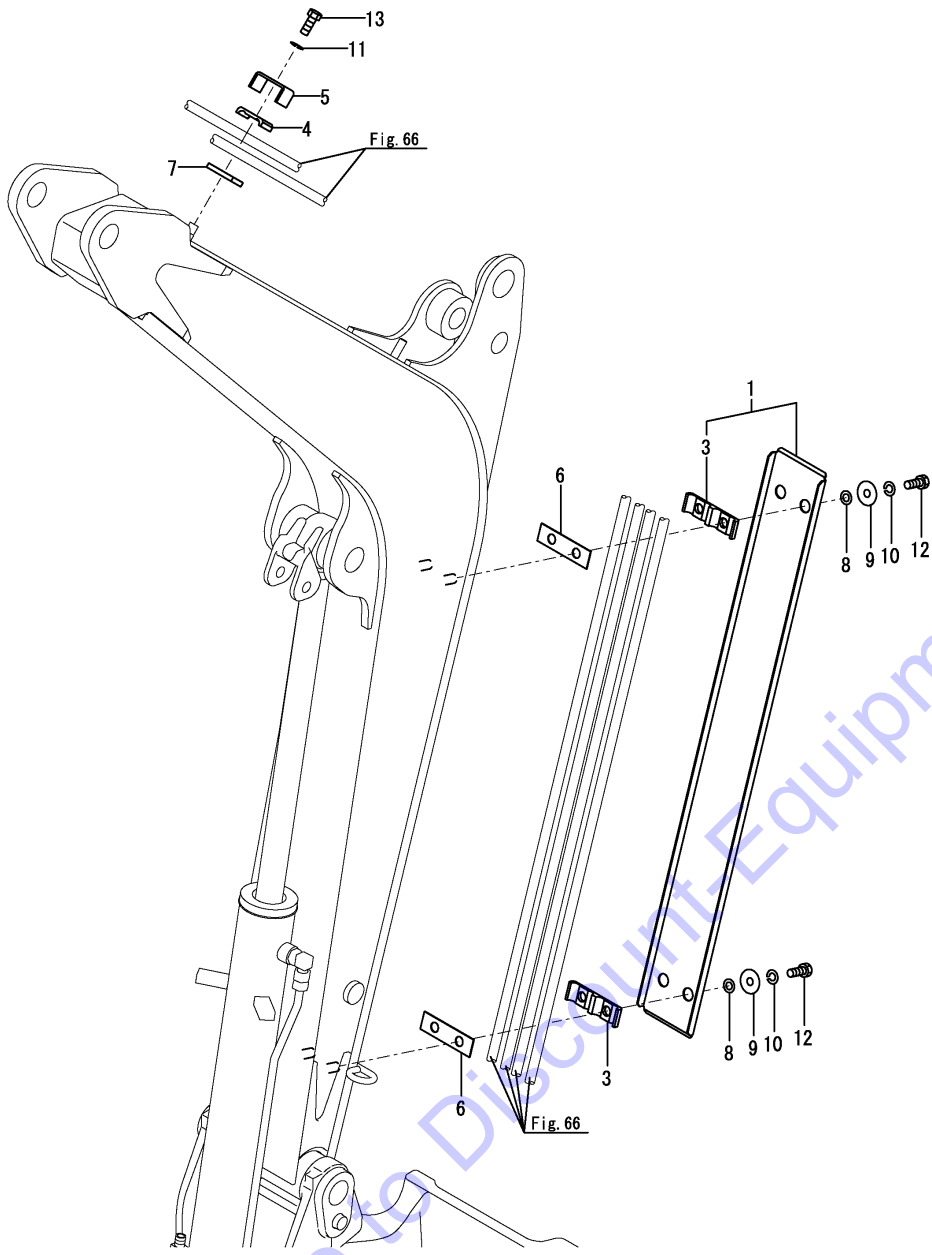


No.	Lev.	Parts No.	Description	Q'ty						I	R
				(A)	(B)	(C)	(D)	(E)	(F)		
1	1	172A64-61310	COVER ASSY	1	1	1	1				
2	1	172A64-61340	COVER	1	1	1	1				
3	1	172A64-61350	COVER, PUMP	1	1	1	1				
4	1	172A64-61360	COLLAR	1	1	1	1				
5	1	22157-100000	WASHER, 10	1	1	1	1				
6	1	26106-100162	BOLT, M10X 16 PLATED	2	2	2	2				
7	1	26106-100162	BOLT, M10X 16 PLATED	3	3	3	3				
8	1	26106-100162	BOLT, M10X 16 PLATED	3	3	3	3				
9	1	26106-100202	BOLT, M10X 20 PLATED	1	1	1	1				

Fig.33. COVER(BOOM HOSE)

(A)=VIO17(US)  
(B)=VIO17(AS)  
(C)=VIO17(NZ)

(D)=VIO17(SG)  
(E)=  
(F)=

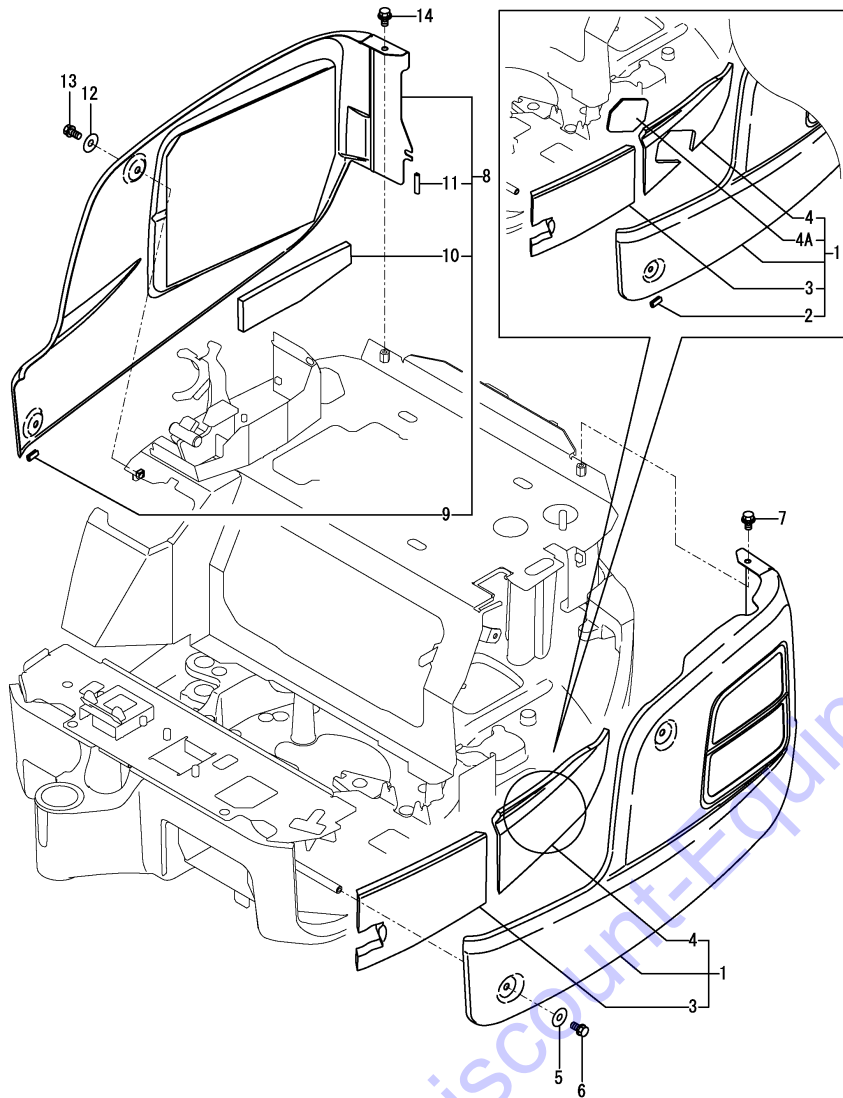


No.	Lev.	Parts No.	Description	Q'ty						I	R
				(A)	(B)	(C)	(D)	(E)	(F)		
1	1	172A64-61550-1	COVER ASSY, HOSE	1	1	1	1				
1-1	1	172A64-61550-Y	COVER ASSY,HOSE	1	1	1	1				S
		(A=M07001) (B=M07001) (C=M07001) (D=M07001)									
3	2	172156-78510	SUPPORT, HOSE	2	2	2	2				
4	1	172156-78520	SUPPORT, HOSE	1	1	1	1				
5	1	172446-78750-2	CLAMP, HOSE	1	1	1	1				
5-1	1	172446-78750-Y	CLAMP, HOSE	1	1	1	1				S
		(A=M07001) (B=M07001) (C=M07001) (D=M07001)									
6	1	172446-78760	RUBBER PLATE A	2	2	2	2				
7	1	172446-78770	RUBBER PLATE B	1	1	1	1				
8	1	22117-080000	WASHER, 8	4	4	4	4				
9	1	22157-080000	WASHER, 8	4	4	4	4				
10	1	22217-080000	WASHER, SPRING 8	4	4	4	4				
11	1	22217-080000	WASHER, SPRING 8	1	1	1	1				
12	1	26116-080162	BOLT, M8X 16 PLATED	4	4	4	4				
13	1	26116-080162	BOLT, M8X 16 PLATED	1	1	1	1				

Fig.35. SIDE COVER

(A)=VIO17(US)  
(B)=VIO17(AS)  
(C)=VIO17(NZ)

(D)=VIO17(SG)  
(E)=  
(F)=



No.	Lev.	Parts No.	Description	Qty						I	R
				(A)	(B)	(C)	(D)	(E)	(F)		
1	1	172A64-61400-1	COVER ASSY	1	1	1	1				1
1-1	1	172A64-61400-Y	COVER ASSY	1	1	1	1				S 1
		(A=M07001)	(B=M07001)	(C=M07001)	(D=M07001)						
2	2	172478-65220	TRIM	1	1	1	1				W
		(A=*2014.12)	(B=*2014.12)	(C=*2014.12)	(D=*2014.12)						
3	2	172A64-61450	SPONGE	1	1	1	1				
4	2	172A64-61460	SPONGE	1	1	1	1				
4A	2	172A64-61490	SPONGE,C COVER L	1	1	1	1				W
		(A=M09714)	(B=M09714)	(C=M09714)	(D=M09714)						
5	1	22157-100000	WASHER, 10	2	2	2	2				
6	1	26013-100202	BOLT, M10X 20	2	2	2	2				
7	1	26014-100202	BOLT, M10X 20	2	2	2	2				
8	1	172A64-61260	COVER ASSY	1	1	1	1				2
8-1	1	172A64-61260-Y	COVER R ASSY,OC	1	1	1	1				S 2
		(A=M07001)	(B=M07001)	(C=M07001)	(D=M07001)						
9	2	172478-65220	TRIM	1	1	1	1				W
		(A=*2014.12)	(B=*2014.12)	(C=*2014.12)	(D=*2014.12)						
10	2	172A64-61470	SPONGE	1	1	1	1				
11	2	172445-62010	TRIM	1	1	1	1				
12	1	22157-100000	WASHER, 10	2	2	2	2				
13	1	26013-100202	BOLT, M10X 20	2	2	2	2				
14	1	26014-100202	BOLT, M10X 20	2	2	2	2				
15A	1	172437-03352	LABEL, CYLINDER	1	1	1	1				3
16A	1	172437-03352	LABEL, CYLINDER	1	1	1	1				3
16B	1	172437-03422	LABEL, MUFFLER	1	1	1	1				3

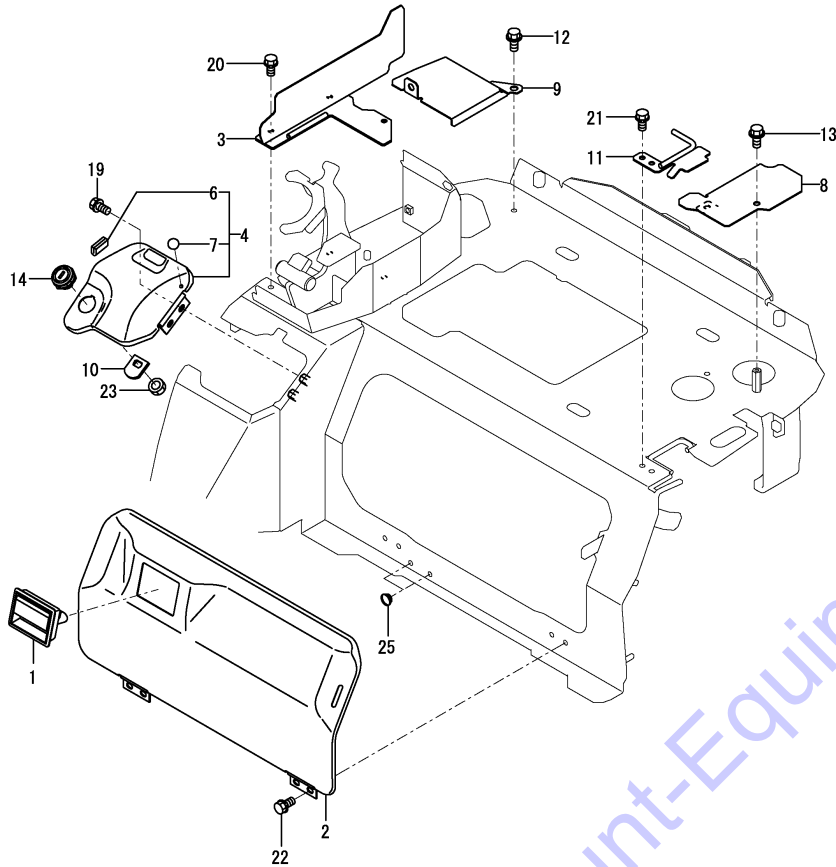
Remarks

- (1) Attach the No.15A label to this part.
- (2) Attach the No.16A & 16B label to this part.
- (3) Label is not illustrated.
- (4) Interchangeable by simultaneous replacement with No.4A.

Fig.34. COVER(SEAT MOUNT)

(A)=VIO17(US)  
(B)=VIO17(AS)  
(C)=VIO17(NZ)

(D)=VIO17(SG)  
(E)=  
(F)=



No.	Lev.	Parts No.	Description	Q'ty						I	R
				(A)	(B)	(C)	(D)	(E)	(F)		
1	1	172187-61421	HANDLE, LOCK	1	1	1	1				3
1-1	1	172B02-69040	HANDLE, LOCK BLACK	1	1	1	1				S 4
		(A=M0F001) (B=M0F001) (C=M0F001) (D=M0F001)									
2	1	172A64-61610	COVER ASSY, BATTERY	1	1	1	1				1
2-1	1	172A64-61610-N	COVER ASSY, BATTERY	1	1	1	1				S 1
		(A=M0F001) (B=M0F001) (C=M0F001) (D=M0F001)									
3	1	172A64-61630	PLATE ASSY, COVER	1	1	1	1				
3-1	1	172A64-61630-N	PLATE ASSY, COVER	1	1	1	1				S
		(A=M0F001) (B=M0F001) (C=M0F001) (D=M0F001)									
4	1	172A64-61660	COVER ASSY, FUEL	1	1	1	1				
4-1	1	172A64-61660-N	COVER ASSY, FUEL	1	1	1	1				S
		(A=M0F001) (B=M0F001) (C=M0F001) (D=M0F001)									
6	2	172478-65220	TRIM	1	1	1	1				
7	2	172176-67790	PLUG	1	1	1	1				
8	1	172A64-61700	COVER, RESERVOIR CAP	1	1	1	1				
8-1	1	172A64-61700-N	COVER, RESERVOIR CAP	1	1	1	1				S
		(A=M0F001) (B=M0F001) (C=M0F001) (D=M0F001)									
9	1	172A64-61710	COVER, RADIATOR CAP	1	1	1	1				
9-1	1	172A64-61710-N	COVER, RADIATOR CAP	1	1	1	1				S
		(A=M0F001) (B=M0F001) (C=M0F001) (D=M0F001)									
10	1	172A64-61820	LOCK PLATE, FO	1	1	1	1				
11	1	172A64-61850	PLATE ASSY, COVER	1	1	1	1				
11-1	1	172A64-61850-N	PLATE ASSY, COVER	1	1	1	1				S
		(A=M0F001) (B=M0F001) (C=M0F001) (D=M0F001)									
12	1	26014-080162	BOLT, M8X 16	2	2	2	2				
13	1	26014-080162	BOLT, M8X 16	2	2	2	2				
14	1	172164-66170	KEY ASSY, CYLINDER	1	1	1	1				
19	1	26014-080162	BOLT, M8X 16	2	2	2	2				
20	1	26014-080162	BOLT, M8X 16	4	4	4	4				
21	1	26014-080162	BOLT, M8X 16	2	2	2	2				
22	1	26014-080202	BOLT, M8X 20	4	4	4	4				
23	1	26347-100002	NUT, M10	1	1	1	1				
24A	1	172437-03361	LABEL, BATTERY	1	1	1	1				2
24B	1	172446-03652	LABEL, VARIABLE US	1	1	1	1				2
24C	1	172472-03141	LABEL, SUPPORT	1	1	1	1				2
25	1	172187-64900	PLUG	2	2	2	2				W
		(A=M08320) (B=M08320) (C=M08320) (D=M08320)									

Remarks

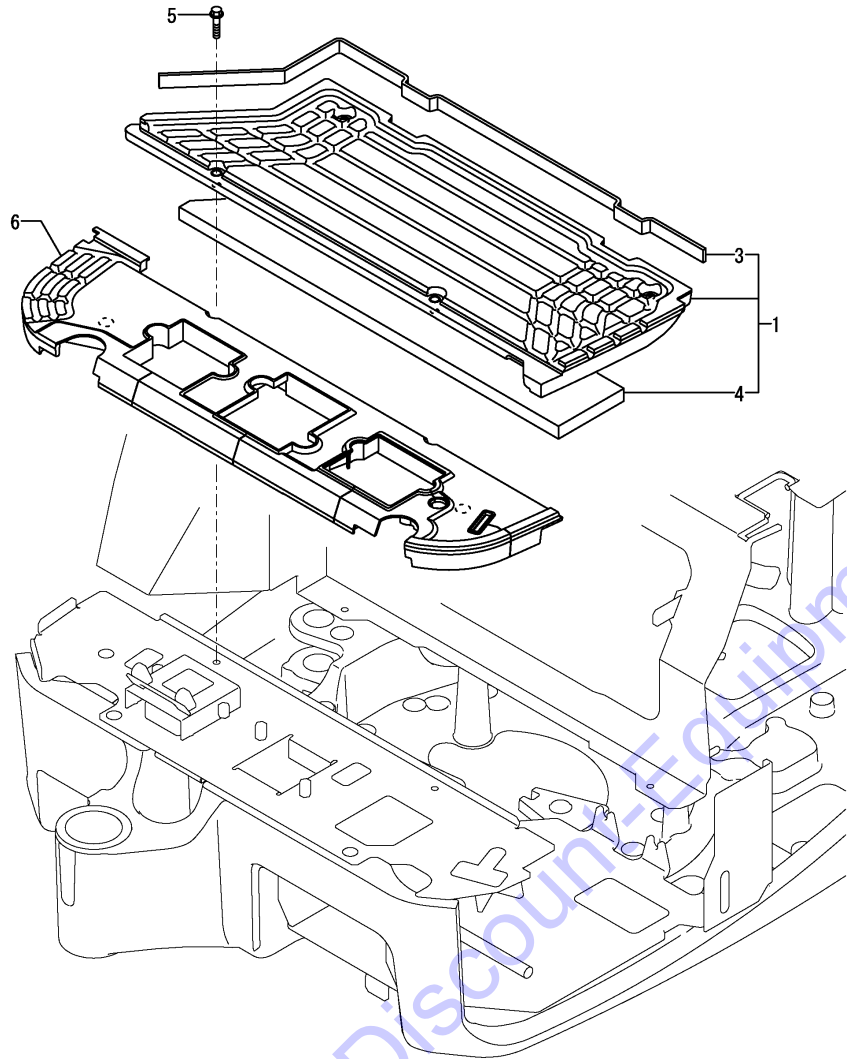
- (1) Attach the No.24A, 24B & 24C label to this part.
- (2) Label is not illustrated.
- (3) Color = DARK OLIVE GRAY.
- (4) Color = BLACK.

Fig.36. STEP

(A)=VIO17(US)  
 (B)=VIO17(AS)  
 (C)=VIO17(NZ)

(D)=VIO17(SG)  
 (E)=  
 (F)=

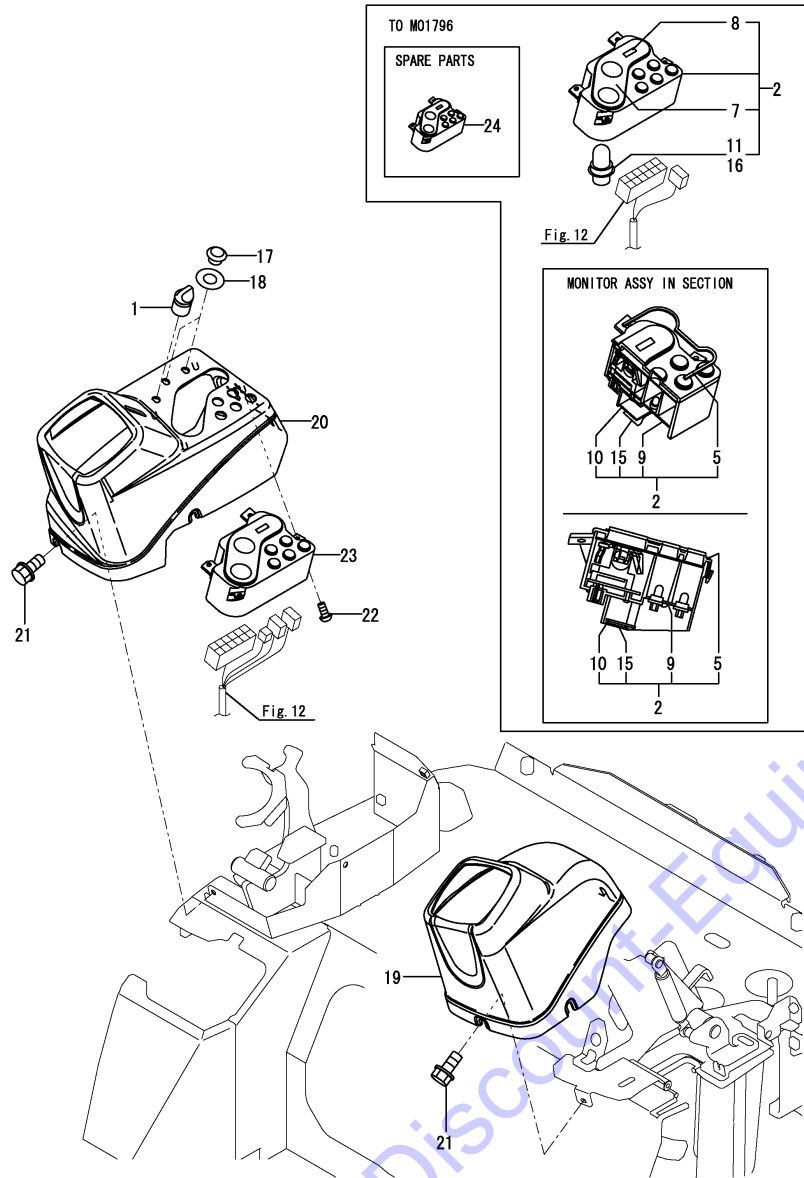
No.	Lev.	Parts No.	Description	Q'ty						I	R
				(A)	(B)	(C)	(D)	(E)	(F)		
1	1	172A64-62100	STEP ASSY	1	1	1	1				
3	2	172A64-62120	SEAL, STEP	1	1	1	1				
4	2	172A64-62130	SPONGE	1	1	1	1				
5	1	172448-62400	BOLT, M8X35	4	4	4	4				
6	1	172A64-62270	FLOORMAT,PTO	1	1	1	1				



Go to Discount-Equipment.com to order your parts



Fig.37. INSTRUMENT PANEL

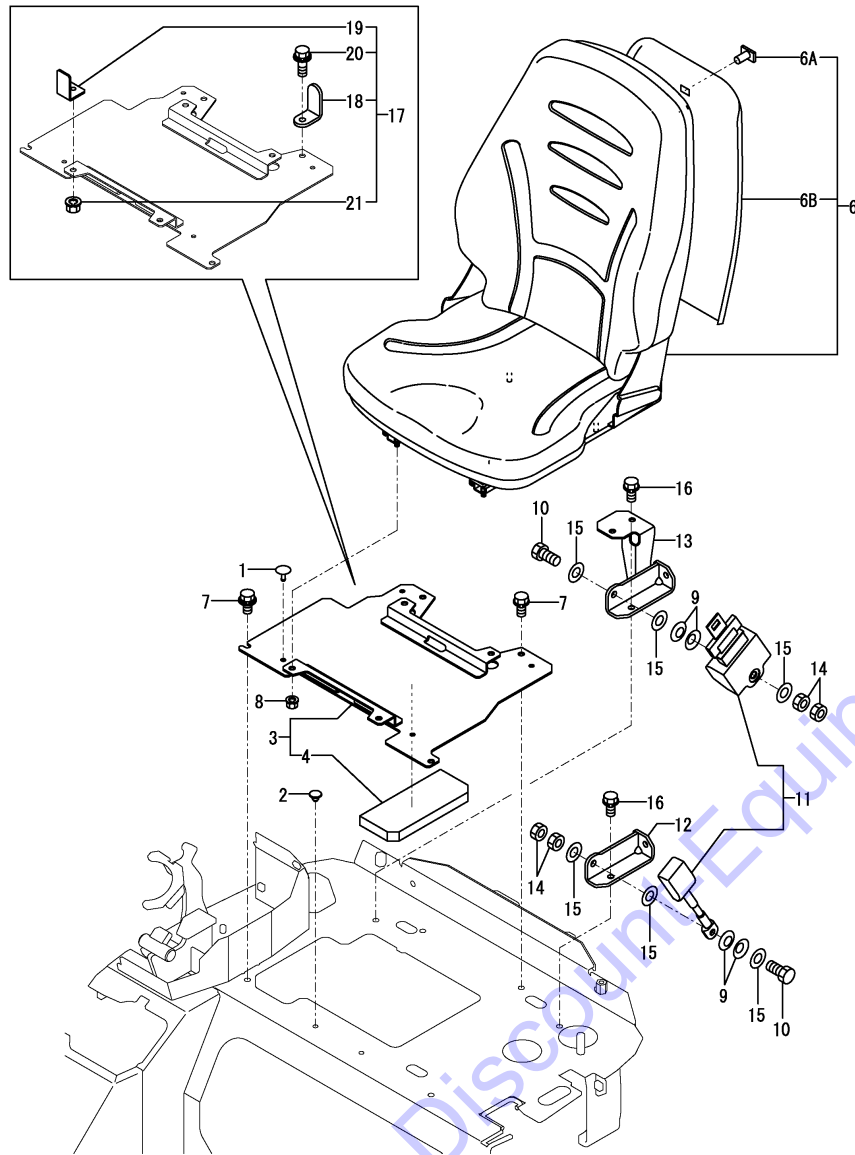


(A)=VIO17(US)  
 (B)=VIO17(AS)  
 (C)=VIO17(NZ)  
 (D)=VIO17(SG)  
 (E)=  
 (F)=

No.	Lev.	Parts No.	Description	Q'ty						I	R
				(A)	(B)	(C)	(D)	(E)	(F)		
1	1	172187-17280	SWITCH ASSY, LIGHT	1	1	1	1				3
1-1	1	172187-17760	SWITCH ASSY, LAMP D	1	1	1	1				S 4
		(A=M0F001) (B=M0F001) (C=M0F001) (D=M0F001)									
2	1	172472-17501	BOX, INDICATOR	1	1	1	1				Z 1
		(A=M01797) (B=M01797) (C=M01797) (D=M01797)									
5	2	172187-17320	PACKING	1	1	1	1				
7	2	172187-17341	GAUGE ASSY	1	1	1	1				
8	2	172187-17350	METER ASSY, HOUR	1	1	1	1				
9	2	172187-17360	PRINT, CIRCUIT	1	1	1	1				
10	2	172187-17371	CIRCUIT ASSY	1	1	1	1				
11	2	172187-17380	BULB	4	4	4	4				
15	2	172187-17470	PLATE	1	1	1	1				
16	2	172187-17480	BULB	2	2	2	2				
17	1	172187-17560	CAP	2	2	2	2				
18	1	172187-17570	GASKET	2	2	2	2				
19	1	172A47-63110	PANEL, INSTRUMENT	1	1	1	1				3
19-1	1	172A47-63610	COVER, LEVER L D	1	1	1	1				S 4
		(A=M0F001) (B=M0F001) (C=M0F001) (D=M0F001)									
20	1	172A47-63121	PANEL, INSTRUMENT	1	1	1	1				3
20-1	1	172A47-63620	COVER, LEVER R D	1	1	1	1				S 4
		(A=M0F001) (B=M0F001) (C=M0F001) (D=M0F001)									
21	1	172519-63240	BOLT	6	6	6	6				
22	1	22857-500121	SCREW 5X12	4	4	4	4				
23	1	172A77-17250	MONITOR ASSY	1	1	1	1				W
		(A=M01797) (B=M01797) (C=M01797) (D=M01797)									
24	1	172A77-17500	MONITOR ASSY	1	1	1	1				W 2
		(A=*2008.03.) (B=*2008.03.) (C=*2008.03.) (D=*2008.03.)									

Remarks  
 (1)Hour meter = analog type. Copes in No.24.  
 (2)Hour meter = L.C.D. type.  
 (3)Color = DARK OLIVE GRAY.  
 (4)Color = PANTONE 425C.

Fig.38. SEAT & SEAT BELT(TO M0H578)



(A)=VIO17(US)  
(B)=VIO17(AS)  
(C)=VIO17(NZ)

(D)=VIO17(SG)  
(E)=  
(F)=

No.	Lev.	Parts No.	Description	Q'ty						I	R
				(A)	(B)	(C)	(D)	(E)	(F)		
1	1	172122-17190	CLIP, TREE	4	4	4	4				
2	1	172444-17660	CLIP, TREE	2	2	2	2				
3	1	172A64-64130	PLATE ASSY,US (73)	1	1	1	1				
3-1	1	172A64-64130-N	PLATE ASSY,US	1	1	1	1				S
		(A=M0F001) (B=M0F001) (C=M0F001) (D=M0F001)									
4	2	172A64-64120	SPONGE	1	1	1	1				
6	1	172A46-64200	SEAT, OPERATOR	1	1	1	1				Z 2
		(A=M0H579) (B=M0H579) (C=M0H579) (D=M0H579)									
6A	2	172A46-64180	LOCK-FUSE,LID	1	1	1	1				W
		(A=*2010.04.) (B=*2010.04.) (C=*2010.04.) (D=*2010.04.)									
6B	2	172A46-64190	COVER, BACK	1	1	1	1				W
		(A=*2010.04.) (B=*2010.04.) (C=*2010.04.) (D=*2010.04.)									
7	1	26014-100202	BOLT, M10X 20	4	4	4	4				
8	1	26051-080002	NUT, M8	4	4	4	4				
9	1	172652-64220	SPRING,12	4	4	4	4				
9-1	1	172A77-64270	SPRING,10	4	4	4	4				S 1
		(A=M03016) (B=M03016) (C=M03016) (D=M03016)									
10	1	172433-64511	BOLT, /16-20-UNF	2	2	2	2				
10-1	1	26116-100352	BOLT, M10X 35 PLATED	2	2	2	2				S 1
		(A=M03016) (B=M03016) (C=M03016) (D=M03016)									
11	1	172A23-64770	BELT ASSY, SEAT	1	1	1	1				
11-1	1	1A8160-63400	BELT ASSY, SEAT	1	1	1	1				R
		(A=M03016) (B=M03016) (C=M03016) (D=M03016)									
12	1	172A64-64800	BRACKET,SEAT BELT(73)	1	1	1	1				
12-1	1	172A64-64800-N	BRACKET,SEAT BELT	1	1	1	1				S
		(A=M0F001) (B=M0F001) (C=M0F001) (D=M0F001)									
13	1	172A64-64820	BRACKET ASSY,BELT(73)	1	1	1	1				
13-1	1	172A64-64820-N	BRACKET ASSY,BELT	1	1	1	1				S
		(A=M0F001) (B=M0F001) (C=M0F001) (D=M0F001)									
14	1	172187-64831	NUT,7/16-20UNF	4	4	4	4				
14-1	1	26716-100002	NUT, M10	4	4	4	4				S 1
		(A=M03016) (B=M03016) (C=M03016) (D=M03016)									
15	1	22137-120000	WASHER, 12	4	4	4	4				
15-1	1	22137-100000	WASHER, 10	4	4	4	4				S 1
		(A=M03016) (B=M03016) (C=M03016) (D=M03016)									
15-2	1	22137-100000	WASHER, 10	6	6	6	6				K
		(A=*2009.11) (B=*2009.11) (C=*2009.11) (D=*2009.11)									
16	1	26014-100252	BOLT, M10X 25	4	4	4	4				
17	1	172A64-08660	SEAT KIT,US NAMBA SB	1	1	1	1				W 3
		(A=*2017.11.) (B=*2017.11.) (C=*2017.11.) (D=*2017.11.)									
18	2	172A64-64180	STOPPER,RAIL 2	1	1	1	1				
19	2	172A64-67160	STOPPER, RAIL 3	1	1	1	1				
20	2	26014-100252	BOLT, M10X 25	1	1	1	1				
21	2	26051-080002	NUT, M8	1	1	1	1				

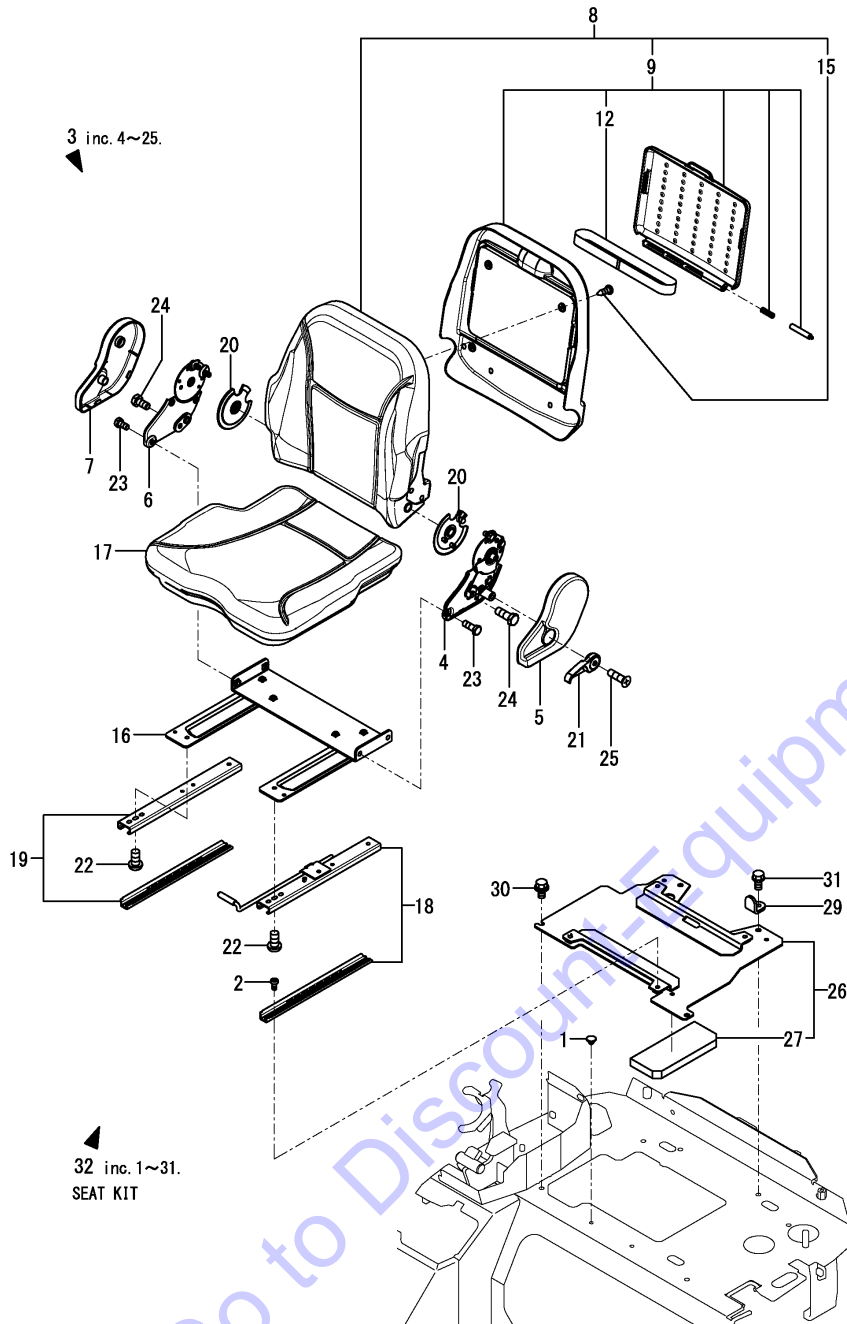
Remarks

- (1)Interchangeable by simultaneous replacement with No.9-1, 10-1, 14-1 & 15-1.
- (2)Spare parts is shown in Fig.96(38A) No.32.
- (3)Seat belt specification.

Fig.96. (38A)SEAT(FROM M0H579)

(A)=VIO17(US)  
(B)=VIO17(AS)  
(C)=VIO17(NZ)

(D)=VIO17(SG)  
(E)=  
(F)=

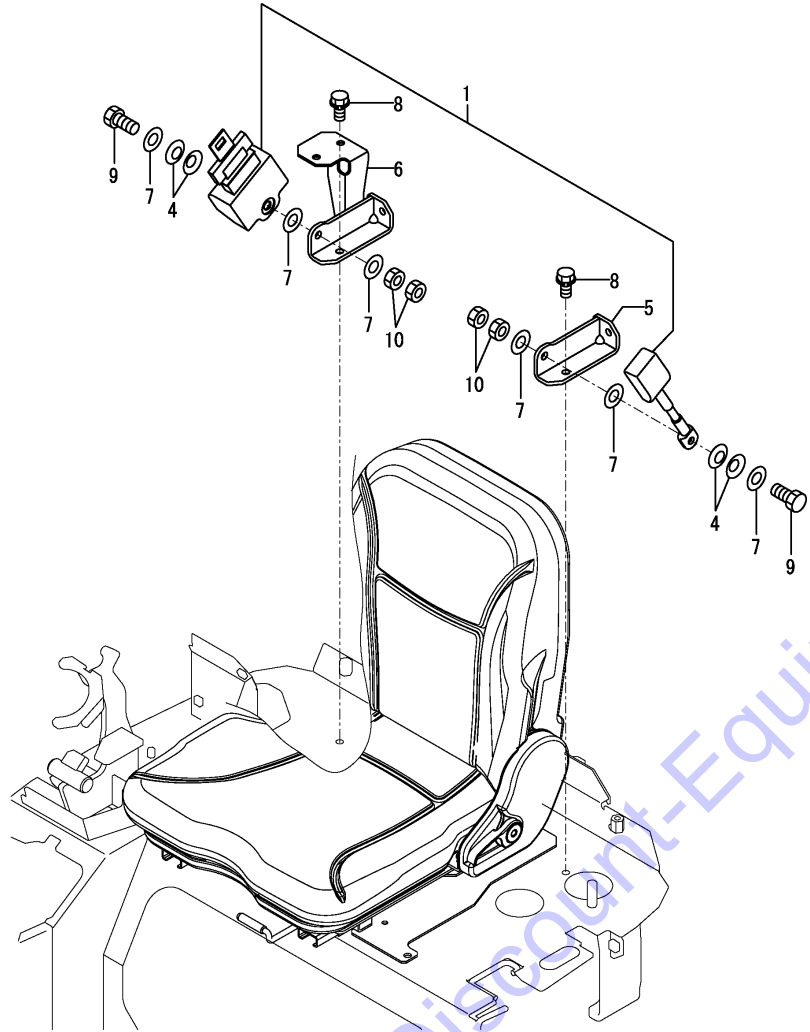


No.	Lev.	Parts No.	Description	Q'ty						I	R
				(A)	(B)	(C)	(D)	(E)	(F)		
1	1	172444-17660	CLIP, TREE	2	2	2	2				
2	1	172455-61710	BOLT M 8X 16	4	4	4	4				
3	1	172A64-64070	SEAT ASSY, RECLINING	1	1	1	1				
4	2	172A64-64040	HINGE ASSY	1	1	1	1				
5	2	172A64-64060	COVER	1	1	1	1				
6	2	172A64-64080	HINGE ASSY	1	1	1	1				
7	2	172A64-64090	COVER	1	1	1	1				
8	2	172B02-64210	SEAT ASSY, BACK	1	1	1	1				
9	3	172B02-64270	BOX ASSY, MANUAL	1	1	1	1				
12	4	172A89-64950	BAND	1	1	1	1				
15	3	22859-500200	SCREW, 5.0 X 20	4	4	4	4				
16	2	172B02-64230	BRACKET ASSY, SEAT	1	1	1	1				
17	2	172A89-64780	SEAT, CUSHION	1	1	1	1				
18	2	172A89-64800	RAIL ASSY, TL	1	1	1	1				
19	2	172A89-64810	RAIL ASSY, TR	1	1	1	1				
20	2	172A89-64870	COVER	2	2	2	2				
21	2	172A89-64880	LEVER	1	1	1	1				
22	2	26106-080252	BOLT, M8X 25 PLATED	4	4	4	4				
23	2	26106-100162	BOLT, M10X 16 PLATED	6	6	6	6				
24	2	26106-100252	BOLT, M10X 25 PLATED	2	2	2	2				
25	2	26559-050202	SCREW, M5X20	1	1	1	1				
26	1	172A64-64850-N	PLATE ASSY, KR	1	1	1	1				
27	2	172A64-64120	SPONGE	1	1	1	1				
29	1	172A64-64970	STOPPER, RAIL	1	1	1	1				
30	1	26014-100202	BOLT, M10X 20	3	3	3	3				
31	1	26014-100252	BOLT, M10X 25	1	1	1	1				
32	1	172A64-08640	SEAT KIT, EX WOCHANG	1	1	1	1				

Fig.97. (38B)SEAT BELT(FROM M0H579)

(A)=VIO17(US)  
 (B)=VIO17(AS)  
 (C)=VIO17(NZ)

(D)=VIO17(SG)  
 (E)=  
 (F)=



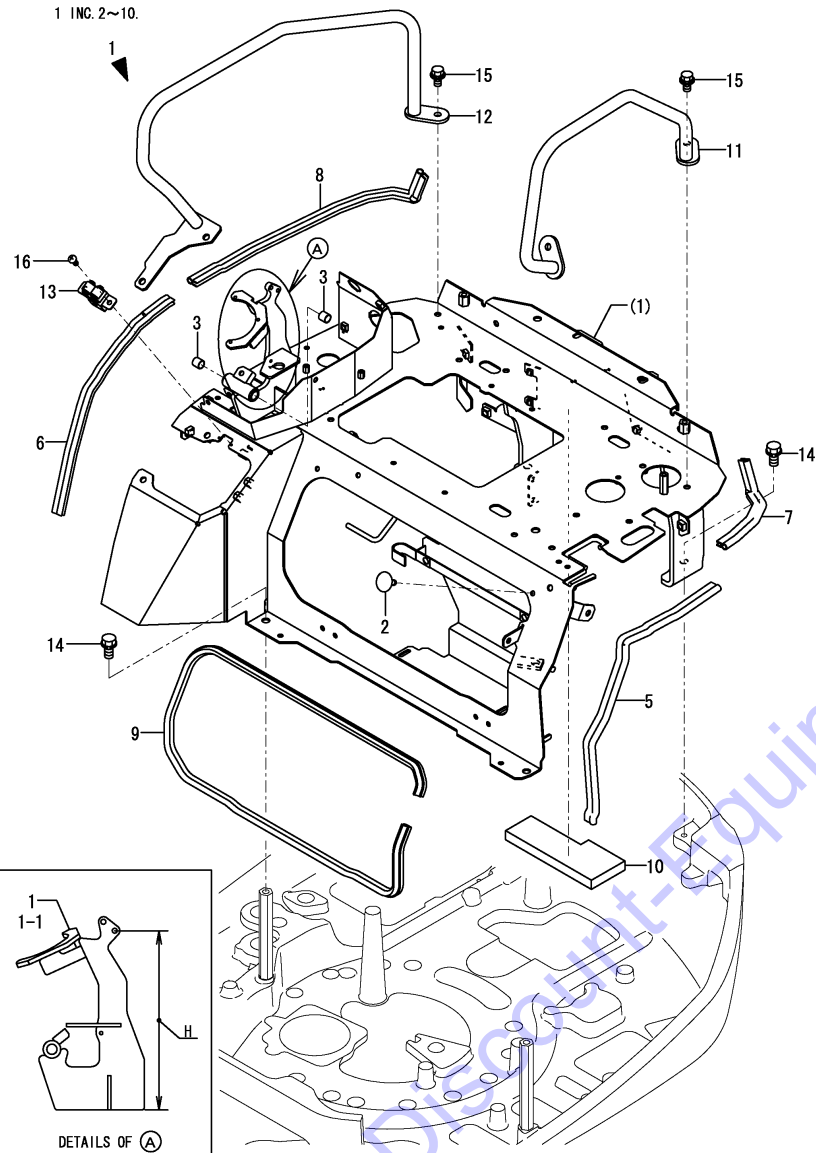
No.	Lev.	Parts No.	Description	Q'ty						I	R
				(A)	(B)	(C)	(D)	(E)	(F)		
1	1	1A8160-63401	SEATBELT ASSY	1	1	1	1				
4	1	172A77-64270	SPRING,10	4	4	4	4				
5	1	172A64-64800-N	BRACKET,SEAT BELT	1	1	1	1				
6	1	172A64-64820-N	BRACKET ASSY,BELT	1	1	1	1				
7	1	22137-100000	WASHER, 10	6	6	6	6				
8	1	26014-100252	BOLT, M10X 25	4	4	4	4				
9	1	26116-100352	BOLT, M10X 35 PLATED	2	2	2	2				
10	1	26716-100002	NUT, M10	4	4	4	4				

Go to Discount-Equipment.com to order your parts

Fig.39. SEAT MOUNT

(A)=VIO17(US)  
(B)=VIO17(AS)  
(C)=VIO17(NZ)

(D)=VIO17(SG)  
(E)=  
(F)=

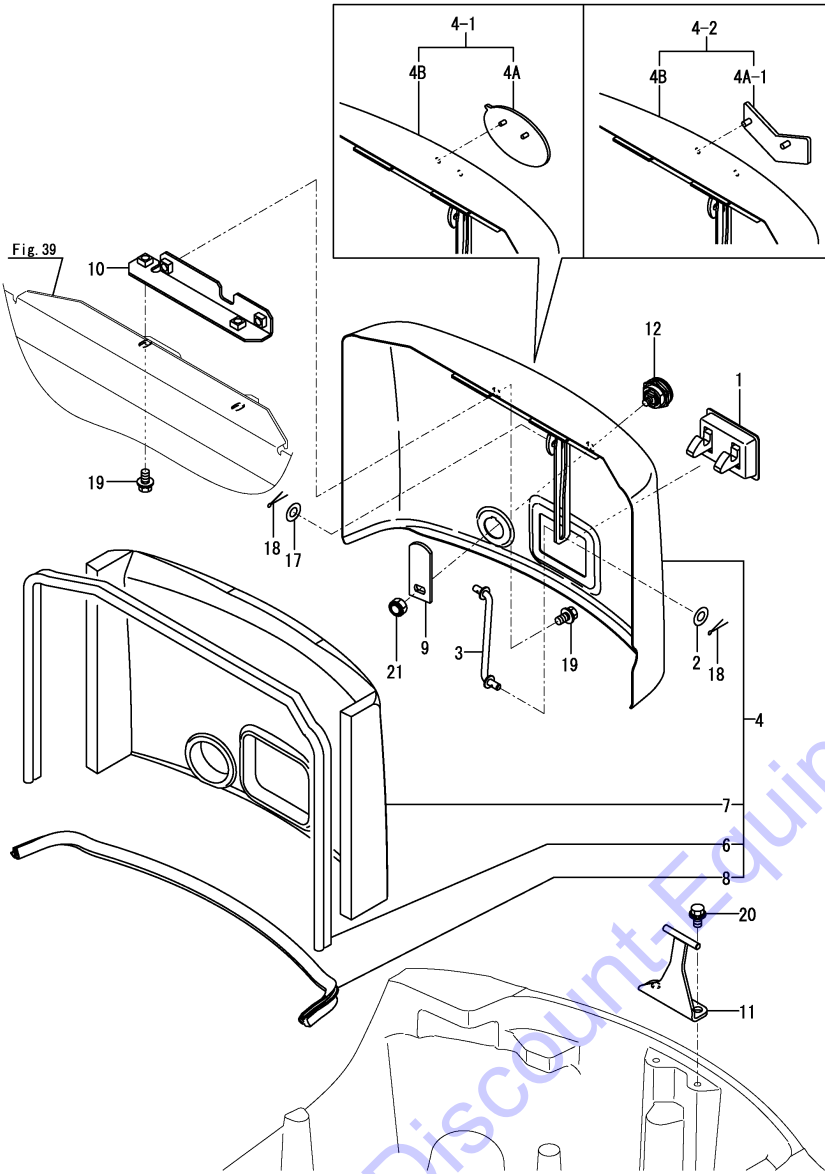


No.	Lev.	Parts No.	Description	Q'ty						I	R
				(A)	(B)	(C)	(D)	(E)	(F)		
1	1	172A64-64200	MOUNT ASSY, SEAT	1	1	1	1				
1-1	1	172A64-64201	MOUNT ASSY, SEAT	1	1	1	1			S	1
		(A=M03318) (B=M03318) (C=M03318) (D=M03318)									
1-2	1	172A64-64202	MOUNT ASSY, SEAT	1	1	1	1				N
		(A=MOD121) (B=MOD121) (C=MOD121) (D=MOD121)									
1-3	1	172A64-64202-N	MOUNT ASSY, SEAT	1	1	1	1				S
		(A=M0F001) (B=M0F001) (C=M0F001) (D=M0F001)									
2	2	172122-17190	CLIP, TREE	2	2	2	2				
3	2	172141-41360	BUSH	2	2	2	2				
5	2	172A64-64910	SEAL, 600	1	1	1	1				
6	2	172A64-64920	SEAL, 480	1	1	1	1				
7	2	172A64-64930	SEAL, 240	1	1	1	1				
8	2	172A64-64940	SEAL, 560	1	1	1	1				
8-1	2	172A64-64910	SEAL, 600	1	1	1	1				N
		(A=*2009.12.) (B=*2009.12.) (C=*2009.12.) (D=*2009.12.)									
9	2	172A64-64950	SEAL, 1500	1	1	1	1				
10	2	172A64-64960	SPONGE	1	1	1	1				
10A	1	114110-07760	LABEL, FUEL CAUTION	1	1	1	1				W 2
		(A=M/# 01435) (B=M/# 01435) (C=M/# 01435) (D=M/# 01435)									
10A-1	1	114110-07761	LABEL, FUEL OIL CAUT	1	1	1	1				N 2
		(A=M04325) (B=M04325) (C=M04325) (D=M04325)									
11	1	172A64-64710	PIPE, HAND HOLD	1	1	1	1				
11-1	1	172A64-64710-N	PIPE, HAND HOLD	1	1	1	1				S
		(A=M0F001) (B=M0F001) (C=M0F001) (D=M0F001)									
12	1	172A64-64730	PIPE, HAND HOLD	1	1	1	1				
12-1	1	172A64-64730-N	PIPE, HAND HOLD	1	1	1	1				S
		(A=M0F001) (B=M0F001) (C=M0F001) (D=M0F001)									
13	1	172448-65680	CATCH, ROLLER	1	1	1	1				
14	1	26013-120302	BOLT, M12X 30	4	4	4	4				
15	1	26014-100202	BOLT, M10X 20	5	5	5	5				
16	1	26557-040082	SCREW, M4X 8	2	2	2	2				

Remarks

- (1)H=No.1 260mm, No.1-1 263mm.
- Attach the No.10A label to this part.
- (2)Label is not illustrated.

Fig.40. BONNET



Remarks  
 (1) Attach the No.22A, 22B, 22C & 22D label to this part.  
 (2) Label is not illustrated.  
 (3) Color = DARK OLIVE GRAY.  
 (4) Color = BLACK.

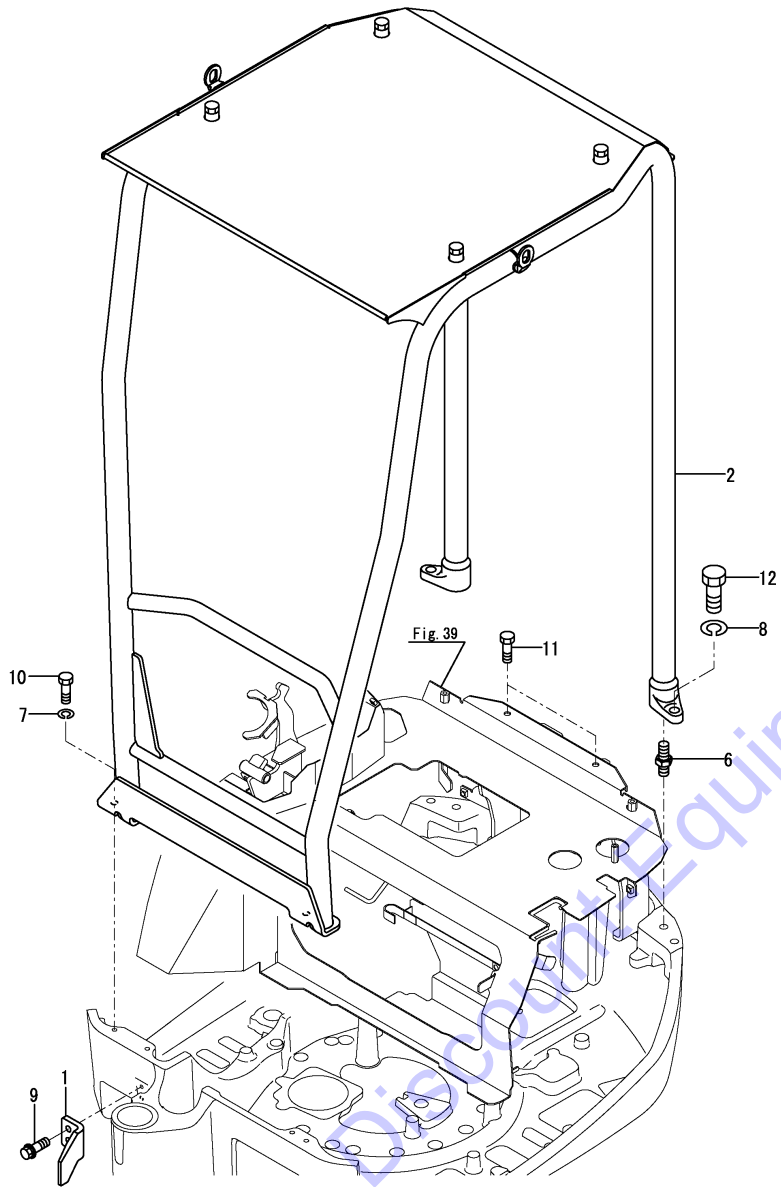
(A)=VIO17(US)  
 (B)=VIO17(AS)  
 (C)=VIO17(NZ)  
 (D)=VIO17(SG)  
 (E)=  
 (F)=

No.	Lev.	Parts No.	Description	Q'ty						I	R
				(A)	(B)	(C)	(D)	(E)	(F)		
1	1	172187-61421	HANDLE, LOCK	1	1	1	1				3
1-1	1	172B02-69040	HANDLE, LOCK BLACK	1	1	1	1				S 4
		(A=M0F001) (B=M0F001) (C=M0F001) (D=M0F001)									
2	1	1A1380-62160	WASHER, BELT COVER	1	1	1	1				
3	1	172444-64730	ROD ASSY, STOPPER	1	1	1	1				
4	1	172A64-65100-1	BONNET ASSY	1	1	1	1				1
4-1	1	172A64-65580	BONNET KIT, ENBLEM Y	1	1	1	1				S
		(A=M07001) (B=M07001) (C=M07001) (D=M07001)									
4-2	1	172A64-65581	BONNET KIT, ENBLEM YD	1	1	1	1				S
		(A=M0F001) (B=M0F001) (C=M0F001) (D=M0F001)									
4A	2	172A64-03050	EMBLEM ASSY	1	1	1	1				W
		(A=M07001) (B=M07001) (C=M07001) (D=M07001)									
4A-1	2	172A64-03400	EMBLEM ASSY, FY L2 Y	1	1	1	1				S
		(A=M0F001) (B=M0F001) (C=M0F001) (D=M0F001)									
4B	2	172A64-65600	BONNET ASSY	1	1	1	1				W 1
		(A=M07001) (B=M07001) (C=M07001) (D=M07001)									
6	3	172A64-65160	SEAL, 1170	1	1	1	1				
7	3	172A64-65170	SPONGE	1	1	1	1				
8	3	172649-65770	RUBBER, SEAL	1	1	1	1				
9	1	172A64-65180	PLATE, LOCK	1	1	1	1				
10	1	172A64-65200	MOUNT ASSY, BONNET	1	1	1	1				
11	1	172A64-65250	ROCK ASSY	1	1	1	1				
12	1	172164-66170	KEY ASSY, CYLINDER	1	1	1	1				
17	1	22137-080000	WASHER, 8	1	1	1	1				
18	1	22417-200200	PIN, COTTER 2.0X20	2	2	2	2				
19	1	26014-100202	BOLT, M10X 20	4	4	4	4				
20	1	26014-100202	BOLT, M10X 20	2	2	2	2				
21	1	26347-100002	NUT, M10	1	1	1	1				
22A	1	172A64-03380	LABEL, SWING AREA US	1	1	1	1				2
22B	1	172437-03391	LABEL, RADIATOR	1	1	1	1				2
22C	1	172437-03402	LABEL, ENGINE COVER	1	1	1	1				2
22D	1	172A36-03411	LABEL, ENGINE ROOM	1	1	1	1				2

Fig.41. CANOPY

(A)=VIO17(US)  
 (B)=VIO17(AS)  
 (C)=VIO17(NZ)

(D)=VIO17(SG)  
 (E)=  
 (F)=

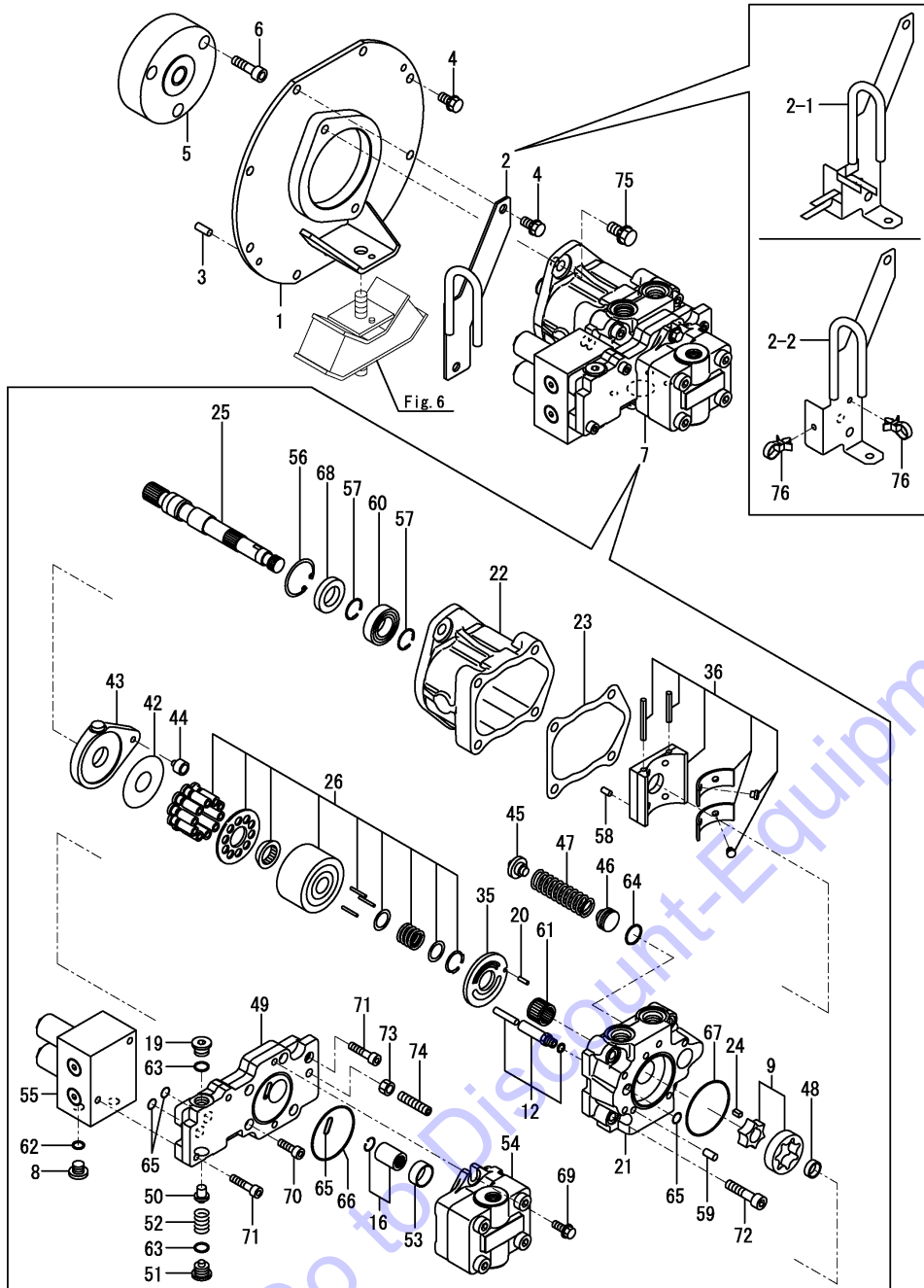


No.	Lev.	Parts No.	Description	Q'ty						I	R
				(A)	(B)	(C)	(D)	(E)	(F)		
1	1	172A64-54150	STOPPER, BRACKET	1	1	1	1				
2	1	172A64-66280	CANOPY ASSY, ROPS	1	1	1	1				1
2-1	1	172A64-66290	CANOPY ASSY	1	1	1	1				N 1
2-2	1	(A=M0E341)	(B=M0E341)	(C=M0E341)	(D=M0E341)						
		172A64-66290-N	CANOPY ASSY,ROPS	1	1	1	1				S 1
		(A=M0F001)	(B=M0F001)	(C=M0F001)	(D=M0F001)						
6	1	172A64-68250	JOINT, 21-M20X28	2	2	2	2				
7	1	22217-120000	WASHER, SPRING 12	2	2	2	2				
8	1	22217-200000	WASHER, SPRING 20	2	2	2	2				
9	1	26014-100302	BOLT, M10X 30	2	2	2	2				
10	1	26076-120352	BOLT, 10.912X 35	2	2	2	2				
11	1	26116-120252	BOLT, M12X 25 PLATED	2	2	2	2				
12	1	26076-200502	BOLT, 10.920X 50	2	2	2	2				
13A	1	172437-03312	LABEL, SLOPE	1	1	1	1				2
13B	1	172437-03343	LABEL, TRANSPORT	1	1	1	1				2
13C	1	172437-03372	LABEL, NEUTRAL	1	1	1	1				2
13D	1	172437-03432	LABEL, STEERING	1	1	1	1				2
13E	1	172437-03441	LABEL, ROPS	1	1	1	1				2
13F	1	172437-03451	LABEL, SEAT BELT	1	1	1	1				2
13G	1	172437-03471	LABEL, LEVER LOCK	1	1	1	1				2
13H	1	172A64-03560	LABEL,LIFT US	1	1	1	1				2
13I	1	172437-03601	LABEL, 2-WAY US	1	1	1	1				2
13J	1	172437-03302	LABEL, MANUAL	1	1	1	1				2

Remarks

- (1) Attach the No.13A, 13B, 13C, 13D, 13E, 13F, 13G, 13H, 13I & 13J label to this part.
- (2) Label is not illustrated.

Fig.42. HYDRAULIC PUMP & JOINT(K SPEC.)(TO M09713)

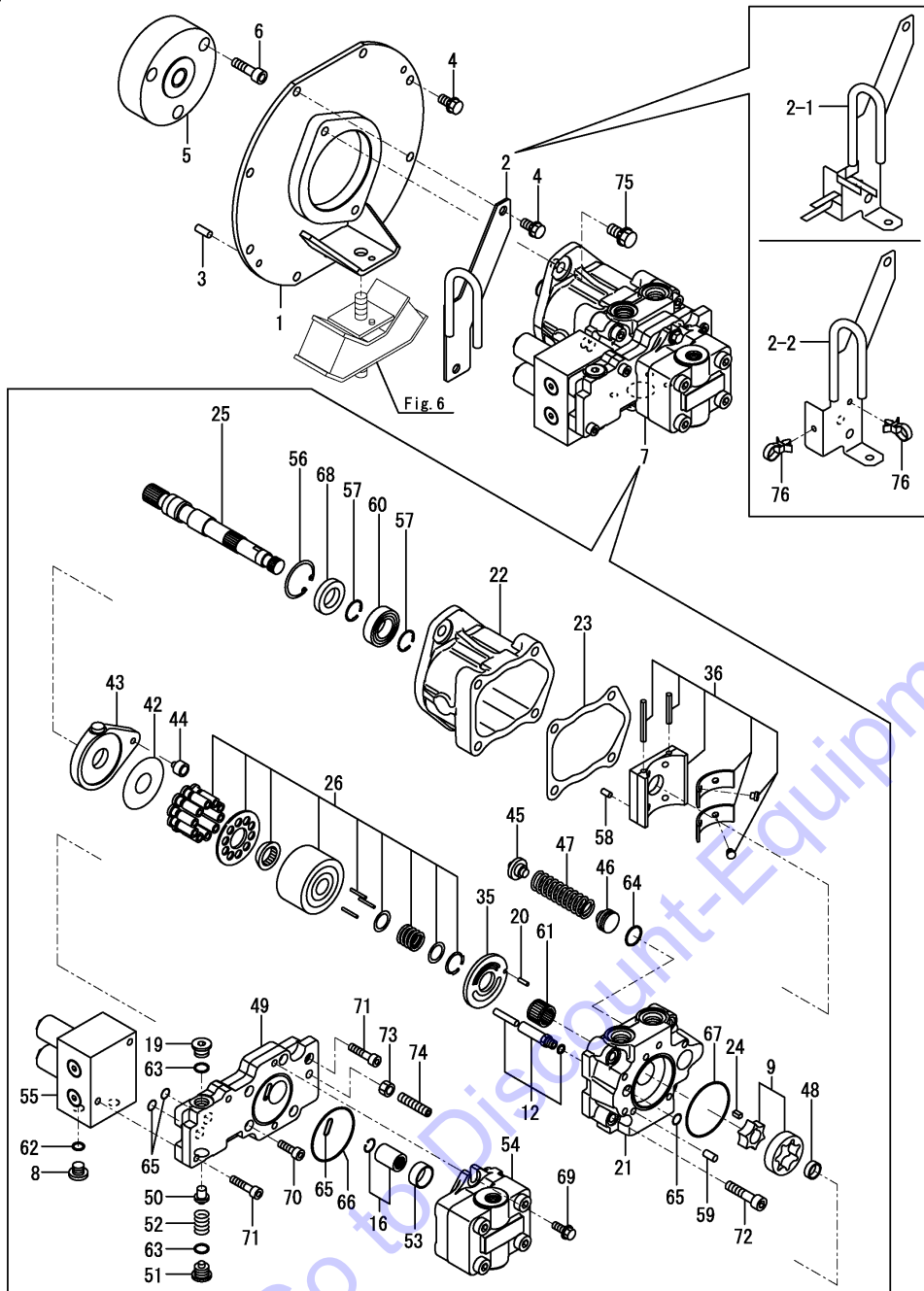


No.	Lev.	Parts No.	Description	Q'ty						I	R
				(A)	(B)	(C)	(D)	(E)	(F)		
1	1	172A64-71100	MOUNT ASSY,PUMP	1	1	1	1				
1-1	1	172A64-71101	MOUNT ASSY,PUMP	1	1	1	1				N
		(A=M09155) (B=M09155) (C=M09155) (D=M09155)									
2	1	172A64-71210	GUIDE ASSY, HOSE	1	1	1	1				
2-1	1	172A64-71211	GUIDE ASSY, HOSE	1	1	1	1				S
		(A=M02841) (B=M02841) (C=M02841) (D=M02841)									
2-2	1	172A64-71212	GUIDE ASSY,HOSE	1	1	1	1				N
		(A=M09155) (B=M09155) (C=M09155) (D=M09155)									
3	1	22312-080200	PIN, PARALLEL M8X20	2	2	2	2				
4	1	26013-100252	BOLT, M10X 25	8	8	8	8				
5	1	172448-71200	COUPLING	1	1	1	1				
6	1	26450-100352	BOLT, M10X 35	3	3	3	3				
7	1	172A64-73100	PUMP ASSY, HYDRAULIC	1	1	1	1				
8	2	178076-12400	PLUG, G1/4	2	2	2	2				
9	2	1E1271-27620	ROTOR SET	1	1	1	1				
12	2	168PA0-29010	POWER PISTON SET	1	1	1	1				
16	2	168PA0-29020	COUPLING SET	1	1	1	1				
19	2	1A6750-29850	PLUG, G3/8	1	1	1	1				
20	2	158802-85040	PIN, PARALLEL(4X14	1	1	1	1				
21	2	168PA0-86010	PORT BLOCK	1	1	1	1				
22	2	168PA0-86020	HOUSING	1	1	1	1				
23	2	168PA0-86030	PACKING	1	1	1	1				
24	2	168PA0-86050	KEY	1	1	1	1				
25	2	168PA0-86060	SHAFT	1	1	1	1				
26	2	168PA0-86140	BLOCK ASSY, PLUNGER	1	1	1	1				
35	2	168PA0-86210	VALVE PLATE	1	1	1	1				
36	2	168PA0-86290	CRADLE HOLDER CMP	1	1	1	1				
42	2	168PA0-86330	THRUST PLATE	1	1	1	1				
43	2	168PA0-86340	CRADLE	1	1	1	1				
44	2	158842-86360	RETAINER	1	1	1	1				
45	2	158842-86610	RETAINER	1	1	1	1				
46	2	158842-86620	RETAINER	1	1	1	1				
47	2	168PA0-86650	SPRING, CRADLE	1	1	1	1				
48	2	168PA0-86720	BUSH, 17X8	1	1	1	1				
49	2	168PA0-86730	BLOCK, CONTROL	1	1	1	1				
50	2	168PA0-86740	VALVE, RELIEF	1	1	1	1				
51	2	168PA0-86750	PLUG (RELIEF VALVE)	1	1	1	1				
52	2	168PA0-86760	SPRING, VALVE	1	1	1	1				
53	2	168PA0-86830	COLLAR, PUMP	1	1	1	1				
54	2	168PA0-87010	GEAR PUMP ASSY	1	1	1	1				
55	2	168PA0-87020	VALVE ASSY, SOLENOID	1	1	1	1				
56	2	22252-000420	RING, 42	1	1	1	1				
57	2	22292-000250	RING, S-25	2	2	2	2				
58	2	22312-060120	PIN, PARALLEL M6X12	3	3	3	3				
59	2	22312-080160	PIN, PARALLEL M8X16	2	2	2	2				
60	2	24101-060054	BEARING, BALL 6005	1	1	1	1				
61	2	24162-202620	BEARING, 202620	1	1	1	1				
62	2	24311-000110	O-RING, 1AP11.0	2	2	2	2				
62-1	2	24315-000110	O-RING, 1BP11.0	2	2	2	2				N
		(A=M#00977) (B=M#00977) (C=M#00977) (D=M#00977)									
63	2	24311-000140	O-RING, 1AP14.0	2	2	2	2				

N:Old  $\frac{Yes}{No}$  New, Q:Old  $\frac{No}{Yes}$  New, R:Old  $\frac{Yes}{Yes}$  New, S:Old  $\frac{No}{No}$  New, W:Add, Z:Discontinued, F:Interchangeable by set, K:Q'ty Change  
 ++ CONTINUE ++  
 Copyright (C) 2014 YANMAR CO., LTD. All Rights Reserved.



Fig.42. HYDRAULIC PUMP & JOINT(K SPEC.)(TO M09713)

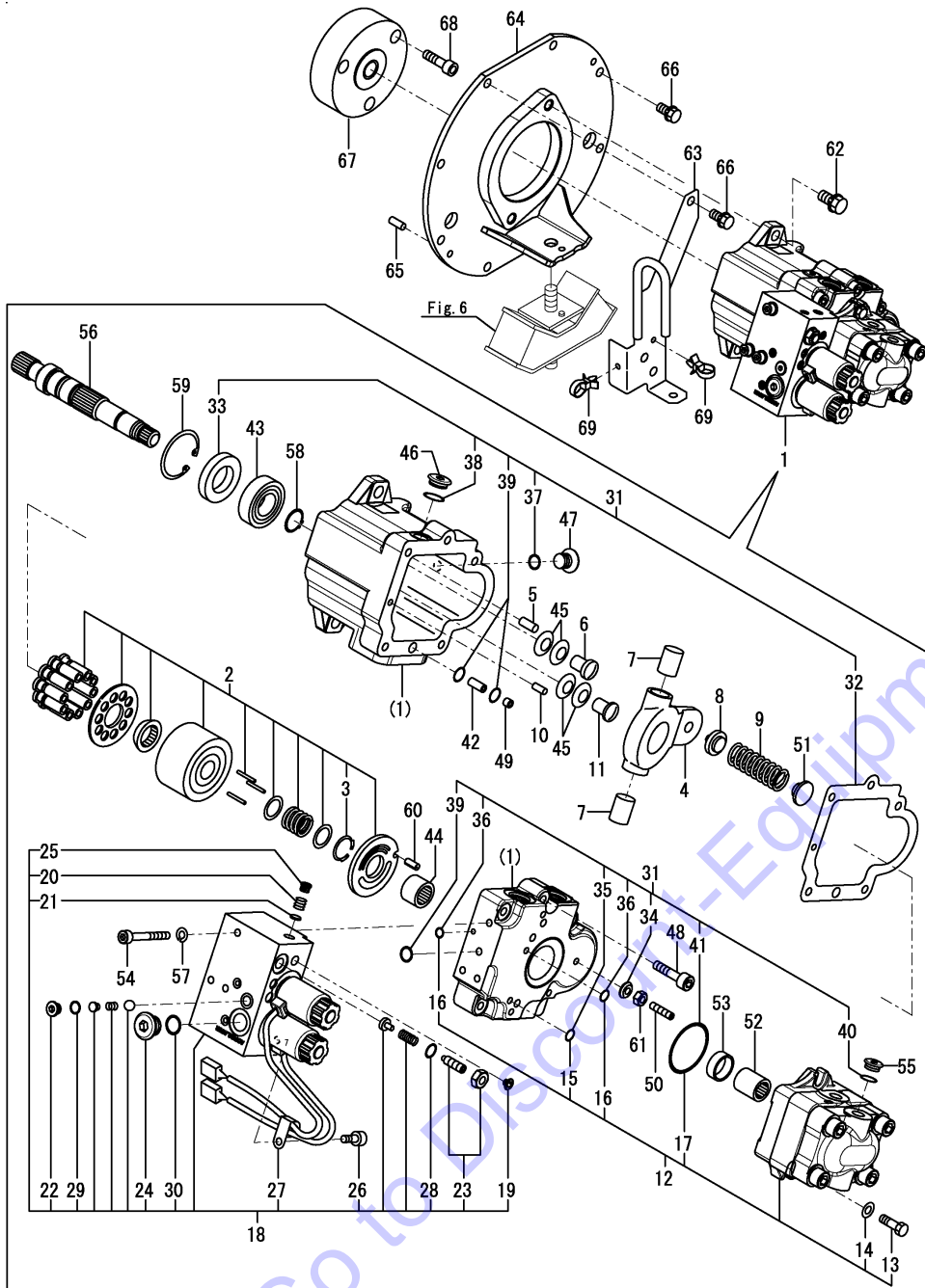


(A)=VIO17(US)  
(B)=VIO17(AS)  
(C)=VIO17(NZ)

(D)=VIO17(SG)  
(E)=  
(F)=

No.	Lev.	Parts No.	Description	Q'ty						I	R
				(A)	(B)	(C)	(D)	(E)	(F)		
63-1	2	24315-000140 (A=M/#00977) (B=M/#00977) (C=M/#00977) (D=M/#00977)	O-RING, 1BP14.0	2	2	2	2				N
64	2	24311-000220	O-RING, 1AP22.0	1	1	1	1				
64-1	2	24315-000220 (A=M/#00977) (B=M/#00977) (C=M/#00977) (D=M/#00977)	O-RING, 1BP22.0	1	1	1	1				N
65	2	24341-000140	O-RING, 1AS14.0	4	4	4	4				
65-1	2	194327-45640 (A=M/#00977) (B=M/#00977) (C=M/#00977) (D=M/#00977)	O-RING, 1AS14.0	4	4	4	4				N
66	2	24341-000630	O-RING, 1AS63.0	1	1	1	1				
67	2	24341-000670	O-RING, 1AS67.0	1	1	1	1				
68	2	24421-254208	SEAL, OIL TC254208	1	1	1	1				
69	2	26106-080202	BOLT, M8X 20 PLATED	2	2	2	2				
70	2	26450-080252	BOLT, M8X 25	4	4	4	4				
71	2	26450-080352	BOLT, M8X 35	3	3	3	3				
72	2	26450-100452	BOLT, M10X 45	4	4	4	4				
73	2	26716-100002	NUT, M10	1	1	1	1				
74	2	26979-100452	SCREW, M10X45	1	1	1	1				
75	1	26013-120352	BOLT, M12X 35	2	2	2	2				
76	1	1E8775-84120 (A=*2013.10) (B=*2013.10) (C=*2013.10) (D=*2013.10)	CLAMP, BAND	2	2	2	2				W

Fig.90. (42A)HYDRAULIC PUMP & JOINT( F SPEC.)(FROM M09714)

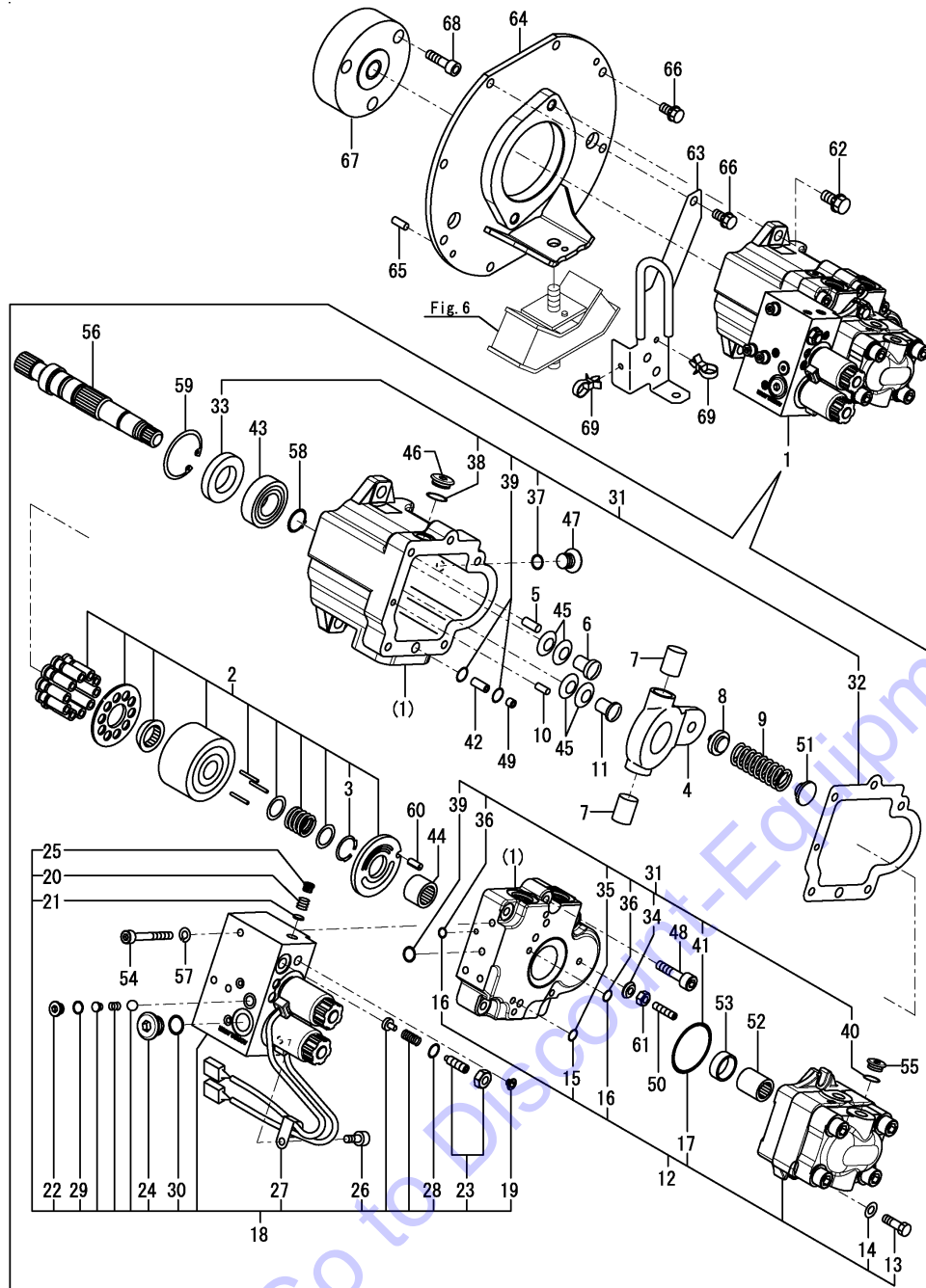


(A)=VIO17(US)  
(B)=VIO17(AS)  
(C)=VIO17(NZ)

(D)=VIO17(SG)  
(E)=  
(F)=

No.	Lev.	Parts No.	Description	Q'ty						I	R
				(A)	(B)	(C)	(D)	(E)	(F)		
1	1	172A64-73200	PUMP ASSY,PVD	1	1	1	1				
2	2	172A23-73110	BARREL KIT	1	1	1	1				
3	3	172448-73190	SNAP RING	1	1	1	1				
4	2	172422-73140	PLATE, SWASH	1	1	1	1				
5	2	172B16-73140	ROD, G	2	2	2	2				
6	2	172B16-73150	PIN, STOPPER A	1	1	1	1				
7	2	172422-73160	PIN	2	2	2	2				
8	2	172422-73200	HOLDER	1	1	1	1				
9	2	172A64-73210	SPRING,T1 PVD	1	1	1	1				
10	2	172422-73220	PIN	1	1	1	1				
11	2	172A64-73220	PIN, STOPPER B PVD	1	1	1	1				
12	2	172A64-73230	PUMP KIT,GEAR PVD	1	1	1	1				
13	3	172450-73120	BOLT	2	2	2	2				
14	3	172450-73130	WASHER	2	2	2	2				
15	3	24315-000070	O-RING, 1BP7.0	1	1	1	1				
16	3	24315-000080	O-RING, 1BP8.0	2	2	2	2				
17	3	24325-000550	O-RING, 1BG55.0	1	1	1	1				
18	2	172A64-73240	VALVE KIT,SOL PVD	1	1	1	1				
18-1	2	172A64-73241	VALVE KIT,SOL PVD	1	1	1	1				N
		(A=M0B267)	(B=M0B267)	(C=M0B267)	(D=M0B267)						
19	3	172422-73550	PLUG	7	7	7	7				
20	3	172422-73620	SPRING	1	1	1	1				
21	3	172422-73630	FILTER	1	1	1	1				
22	3	172458-73630	PLUG	1	1	1	1				
23	3	172422-73640	ADJUSTER KIT	1	1	1	1				
24	3	172458-73640	PLUG	1	1	1	1				
25	3	172422-73650	PLUG	2	2	2	2				
26	3	172422-73660	BOLT	1	1	1	1				
27	3	172422-73670	CLAMP	1	1	1	1				
28	3	24311-000100	O-RING, 1AP10.0	1	1	1	1				
29	3	24315-000080	O-RING, 1BP8.0	1	1	1	1				
30	3	24315-000140	O-RING, 1BP14.0	1	1	1	1				
31	2	172A64-73260	SEAL KIT,PVD	1	1	1	1				
32	3	172422-73170	GASKET	1	1	1	1				
33	3	172422-73510	SEAL, OIL	1	1	1	1				
34	3	172422-73570	WASHER	1	1	1	1				
35	3	24315-000070	O-RING, 1BP7.0	1	1	1	1				
36	3	24315-000080	O-RING, 1BP8.0	2	2	2	2				
37	3	24315-000110	O-RING, 1BP11.0	1	1	1	1				
38	3	24315-000110	O-RING, 1BP11.0	1	1	1	1				
39	3	24315-000120	O-RING, 1BP12.0	3	3	3	3				
40	3	24315-000140	O-RING, 1BP14.0	1	1	1	1				
41	3	24325-000550	O-RING, 1BG55.0	1	1	1	1				
42	2	172422-73280	PIN	1	1	1	1				
43	2	172422-73290	BEARING, BALL	1	1	1	1				
44	2	172422-73500	BEARING, NEEDLE	1	1	1	1				
45	2	172422-73520	SPRING	4	4	4	4				
46	2	172422-73530	PLUG	1	1	1	1				
47	2	172422-73530	PLUG	1	1	1	1				
48	2	172422-73540	BOLT	5	5	5	5				
49	2	172422-73550	PLUG	5	5	5	5				

Fig.90. (42A)HYDRAULIC PUMP & JOINT( F SPEC.)(FROM M09714)



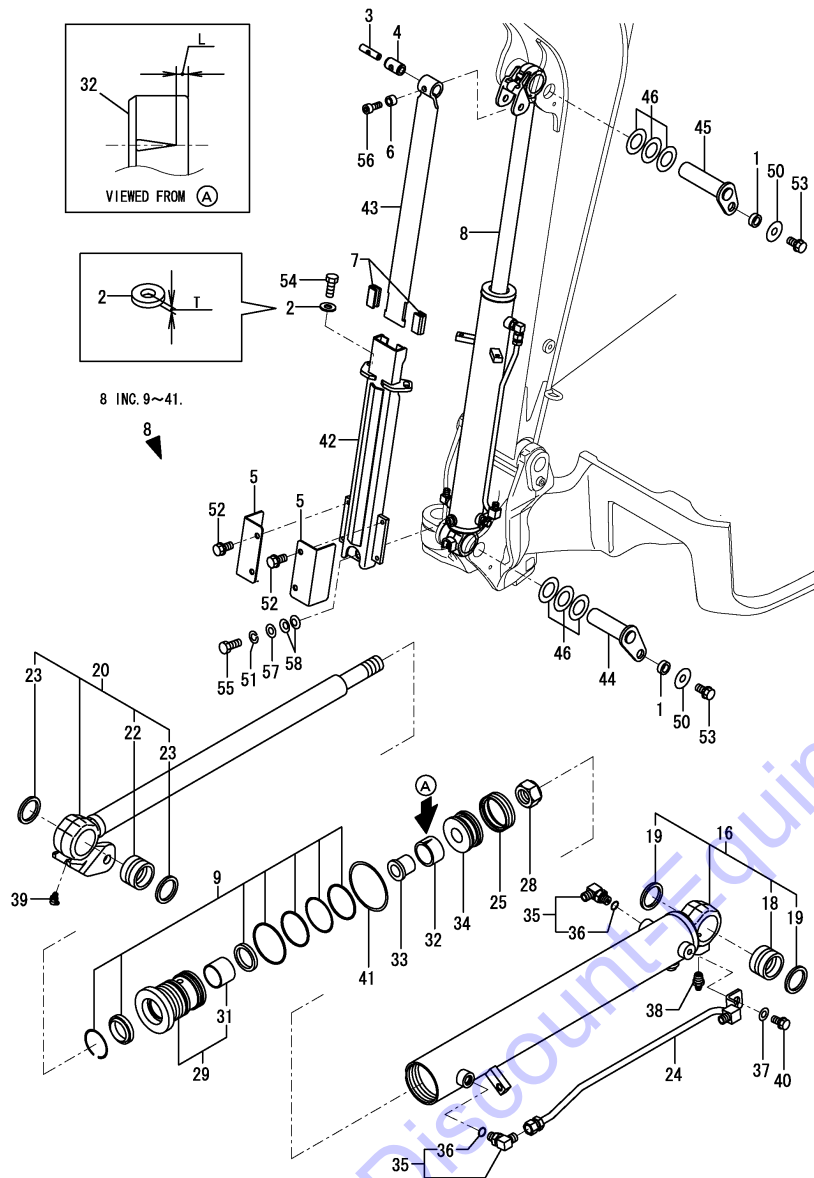
(A)=VIO17(US)  
(B)=VIO17(AS)  
(C)=VIO17(NZ)

(D)=VIO17(SG)  
(E)=  
(F)=

No.	Lev.	Parts No.	Description	Q'ty						I	R
				(A)	(B)	(C)	(D)	(E)	(F)		
50	2	172422-73560	SCREW	1	1	1	1				
51	2	172458-73570	GUIDE, SPRING	1	1	1	1				
52	2	172422-73580	COUPLING	1	1	1	1				
53	2	172422-73590	COLLAR	1	1	1	1				
54	2	172422-73610	BOLT	3	3	3	3				
55	2	172458-73640	PLUG	1	1	1	1				
56	2	172458-73660	SHAFT	1	1	1	1				
57	2	22212-080000	WASHER 8	3	3	3	3				
58	2	22242-000250	RING, 25	1	1	1	1				
59	2	22252-000520	RING, 52	1	1	1	1				
60	2	22351-060016	PIN, SPRING 6.0X16	1	1	1	1				
61	2	26711-080002	NUT, M8	1	1	1	1				
62	1	26013-120352	BOLT, M12X 35	2	2	2	2				
63	1	172A64-71212	GUIDE ASSY,HOSE	1	1	1	1				
64	1	172A64-71300	MOUNT ASSY,PUMP NF	1	1	1	1				
(A=M09700) (B=M09700) (C=M09700) (D=M09700)											
65	1	22312-080200	PIN, PARALLEL M8X20	2	2	2	2				
66	1	26013-100252	BOLT, M10X 25	8	8	8	8				
67	1	172448-71200	COUPLING	1	1	1	1				
68	1	26450-100352	BOLT, M10X 35	3	3	3	3				
69	1	1E8775-84120	CLAMP, BAND	2	2	2	2				W
(A=M09155) (B=M09155) (C=M09155) (D=M09155)											

Fig.43. BOOM CYLINDER

(A)=VIO17(US)  
 (B)=VIO17(AS)  
 (C)=VIO17(NZ)  
 (D)=VIO17(SG)  
 (E)=  
 (F)=



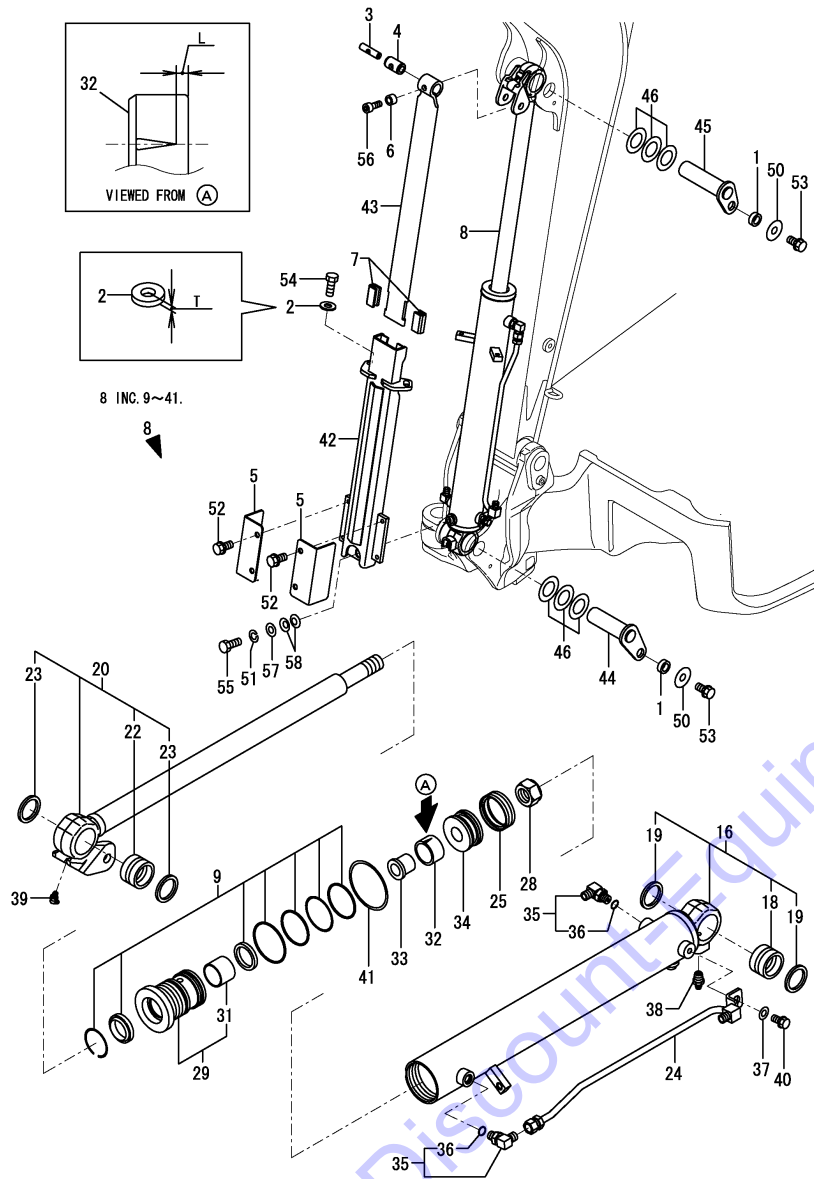
No.	Lev.	Parts No.	Description	Q'ty						I	R
				(A)	(B)	(C)	(D)	(E)	(F)		
1	1	172010-01640	SPACER	2	2	2	2				
2	1	172137-46042	SEAT, SPRING	2	2	2	2				
2-1	1	172A79-72570	WASHER	2	2	2	2				S 3
		(A=M02523) (B=M02523) (C=M02523) (D=M02523)									
3	1	172A23-72043	SHAFT	1	1	1	1				
4	1	172A23-72052	GROMMET	1	1	1	1				
5	1	172A64-72050-1	COVER, CYLINDER	2	2	2	2				
5-1	1	172A64-72051-1	COVER, CYLINDER	2	2	2	2				N
		(A=M/# 01769) (B=M/# 01769) (C=M/# 01769) (D=M/# 01769)									
5-2	1	172A64-72051-N	COVER, CYLINDER	2	2	2	2				S
		(A=M07001) (B=M07001) (C=M07001) (D=M07001)									
6	1	172A46-72070	SPACER	1	1	1	1				
7	1	172A23-72081	GUIDE, SLIDE	2	2	2	2				
8	1	172A64-72100-1	CYLINDER ASSY, BOOM	1	1	1	1				
8-1	1	172A64-72100-N	CYLINDER ASSY, BOOM	1	1	1	1				S
		(A=M07001) (B=M07001) (C=M07001) (D=M07001)									
9	2	172A64-72030	SEAL SET, HEAD 60 35	1	1	1	1				
16	2	172A64-72110-1	TUBE ASSY, BOOM	1	1	1	1				
16-1	2	172A64-72110-N	TUBE ASSY, BOOM	1	1	1	1				S
		(A=M07001) (B=M07001) (C=M07001) (D=M07001)									
18	3	172A64-72190	BUSH,35-45-30	1	1	1	1				
19	3	172448-81610	SEAL, DUST 35X45X4	2	2	2	2				
20	2	172A64-72150	ROD ASSY, BOOM	1	1	1	1				
22	3	172A64-72190	BUSH,35-45-30	1	1	1	1				
23	3	172448-81610	SEAL, DUST 35X45X4	2	2	2	2				
24	2	172A64-72200-1	TUBE ASSY, BOOM	1	1	1	1				
24-1	2	172A64-72200-N	TUBE ASSY, BOOM	1	1	1	1				S
		(A=M07001) (B=M07001) (C=M07001) (D=M07001)									
25	2	172638-72200	PACKING	1	1	1	1				
25-1	2	172638-72201	SEAL SET	1	1	1	1				N
		(A=M00805) (B=M00805) (C=M00805) (D=M00805)									
28	2	172A64-72230	NUT, M24X1.5	1	1	1	1				
29	2	172149-72241	HEAD 6035 COMPL.	1	1	1	1				
29-1	2	172149-72242	HEAD ASSY, 60 35	1	1	1	1				N
		(A=M0A759) (B=M0A759) (C=M0A759) (D=M0A759)									
31	3	24550-035300	BUSH, 35X30	1	1	1	1				
32	2	172448-72270	PLUNGER, CUSHION 41	1	1	1	1				
32-1	2	172A64-72240	PLUNGER, CUSHION 41	1	1	1	1				S 2
		(A=M0A759) (B=M0A759) (C=M0A759) (D=M0A759)									
33	2	172449-72350	COLLAR, 41	1	1	1	1				
34	2	172A20-72430	PISTON 60,24-28	1	1	1	1				
35	2	172141-76180	CONNECTOR ASSY	2	2	2	2				
35-1	2	172141-76181	CONNECTOR ASSY, 02FF	2	2	2	2				N
		(A=M00805) (B=M00805) (C=M00805) (D=M00805)									
35-2	2	172A64-76180	ELBOW,G1/4-1/4	2	2	2	2				N
		(A=*2016.02.) (B=*2016.02.) (C=*2016.02.) (D=*2016.02.)									
36	3	24315-000110	O-RING, 1BP11.0	2	2	2	2				
36-1	3	41851-000110	O-RING	2	2	2	2				N
		(A=M00805) (B=M00805) (C=M00805) (D=M00805)									
37	2	22137-100000	WASHER, 10	1	1	1	1				
38	2	24761-020000	NIPPLE, GREASE PT1/8	1	1	1	1				

Remarks

- (1)Interchangeable by simultaneous replacement with No.5-1.
- (2)L=No.32 : 2mm, No.32-1 : 5mm.
- Interchangeable by simultaneous replacement with No.29-1.
- (3)T=No.2 2mm, No.2-1 4.5mm.

Fig.43. BOOM CYLINDER

(A)=VIO17(US)  
 (B)=VIO17(AS)  
 (C)=VIO17(NZ)  
 (D)=VIO17(SG)  
 (E)=  
 (F)=

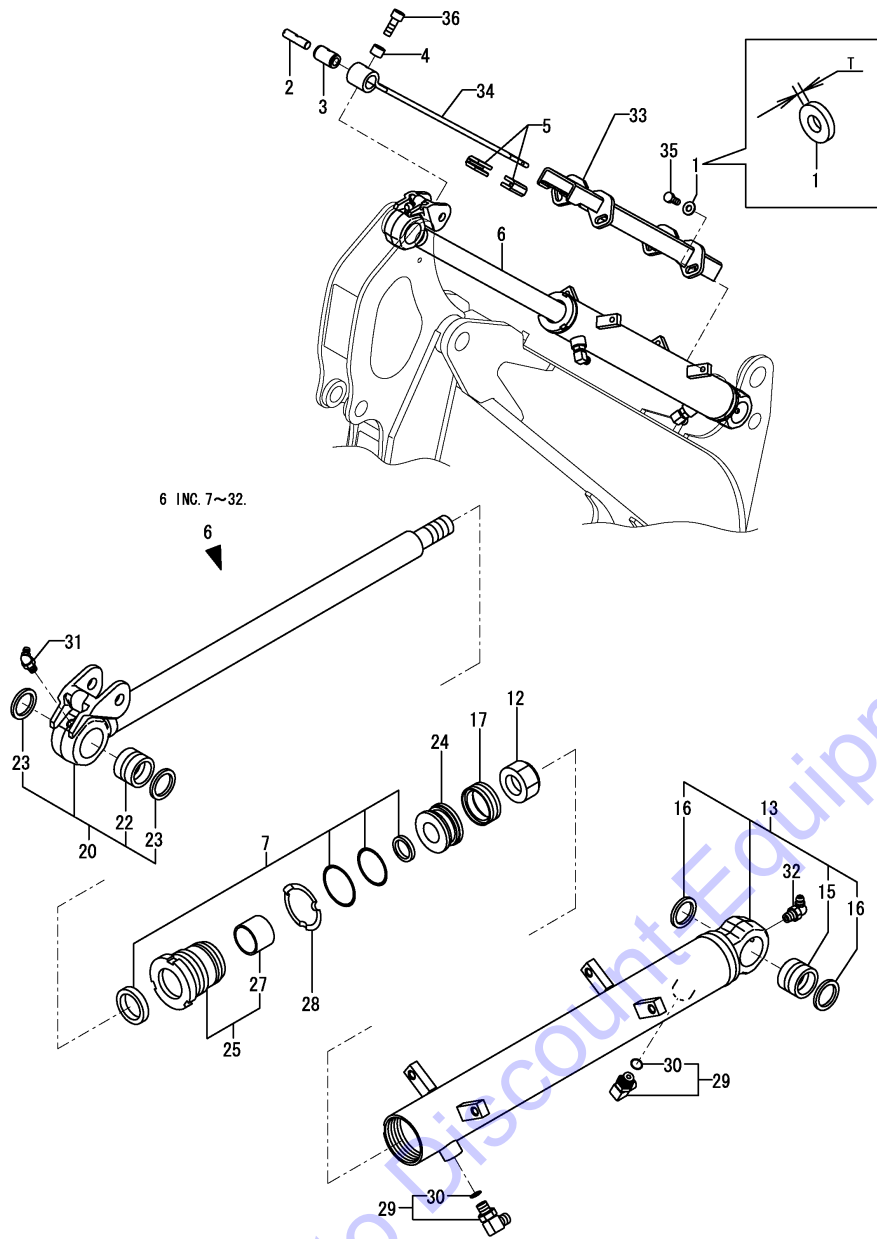


No.	Lev.	Parts No.	Description	Q'ty						I	R
				(A)	(B)	(C)	(D)	(E)	(F)		
39	2	24761-040000	NIPPLE, GREASE B	1	1	1	1				
40	2	26013-100202	BOLT, M10X 20	1	1	1	1				
41	2	933125-59600	WASHER 60 B, LOCK	1	1	1	1				
42	1	172A64-72250-1	GUIDE ASSY	1	1	1	1				
42-1	1	172A64-72251-1	GUIDE ASSY, 545	1	1	1	1			F	1
		(A=M/# 01769) (B=M/# 01769) (C=M/# 01769) (D=M/# 01769)									
42-2	1	172A64-72251-N	GUIDE ASSY, 545	1	1	1	1				S
		(A=M07001) (B=M07001) (C=M07001) (D=M07001)									
43	1	172A23-72951-1	PLATE, SLIDE	1	1	1	1				
43-1	1	172A23-72951-N	PLATE,SLIDE 585	1	1	1	1				S
		(A=M07001) (B=M07001) (C=M07001) (D=M07001)									
44	1	172A64-82620	PIN ASSY, 35X110	1	1	1	1				
45	1	172A64-82760	PIN ASSY,35X127	1	1	1	1				
46	1	172141-84601	SHIM	2	2	2	2				
50	1	22157-100000	WASHER, 10	2	2	2	2				
51	1	22217-100000	WASHER, SPRING 10	1	1	1	1				Z
		(A=M/# 01109) (B=M/# 01109) (C=M/# 01109) (D=M/# 01109)									
52	1	26013-100162	BOLT, M10X 16	4	4	4	4				
53	1	26013-100252	BOLT, M10X 25	2	2	2	2				
54	1	26076-100202	BOLT, 10.910X 20	2	2	2	2				
54-1	1	26076-100252	BOLT, 10.910X 25	2	2	2	2				S
		(A=*2009.06.) (B=*2009.06.) (C=*2009.06.) (D=*2009.06.)									
55	1	26116-100202	BOLT, M10X 20 PLATED	1	1	1	1				
55-1	1	26013-100202	BOLT, M10X 20	1	1	1	1				N
		(A=M/# 01109) (B=M/# 01109) (C=M/# 01109) (D=M/# 01109)									
56	1	26450-060162	BOLT, M6X 16	1	1	1	1				
56-1	1	172A47-72840	BOLT	1	1	1	1				N
		(A=M/# 01435) (B=M/# 01435) (C=M/# 01435) (D=M/# 01435)									
57	1	933147-03400	WASHER, BRAKE ARM	1	1	1	1				
58	1	933168-14170	SPRING	2	2	2	2				

Remarks

- (1)Interchangeable by simultaneous replacement with No.5-1.
- (2)L=No.32 : 2mm, No.32-1 : 5mm.
- Interchangeable by simultaneous replacement with No.29-1.
- (3)T=No.2 2mm, No.2-1 4.5mm.

Fig.44. ARM CYLINDER

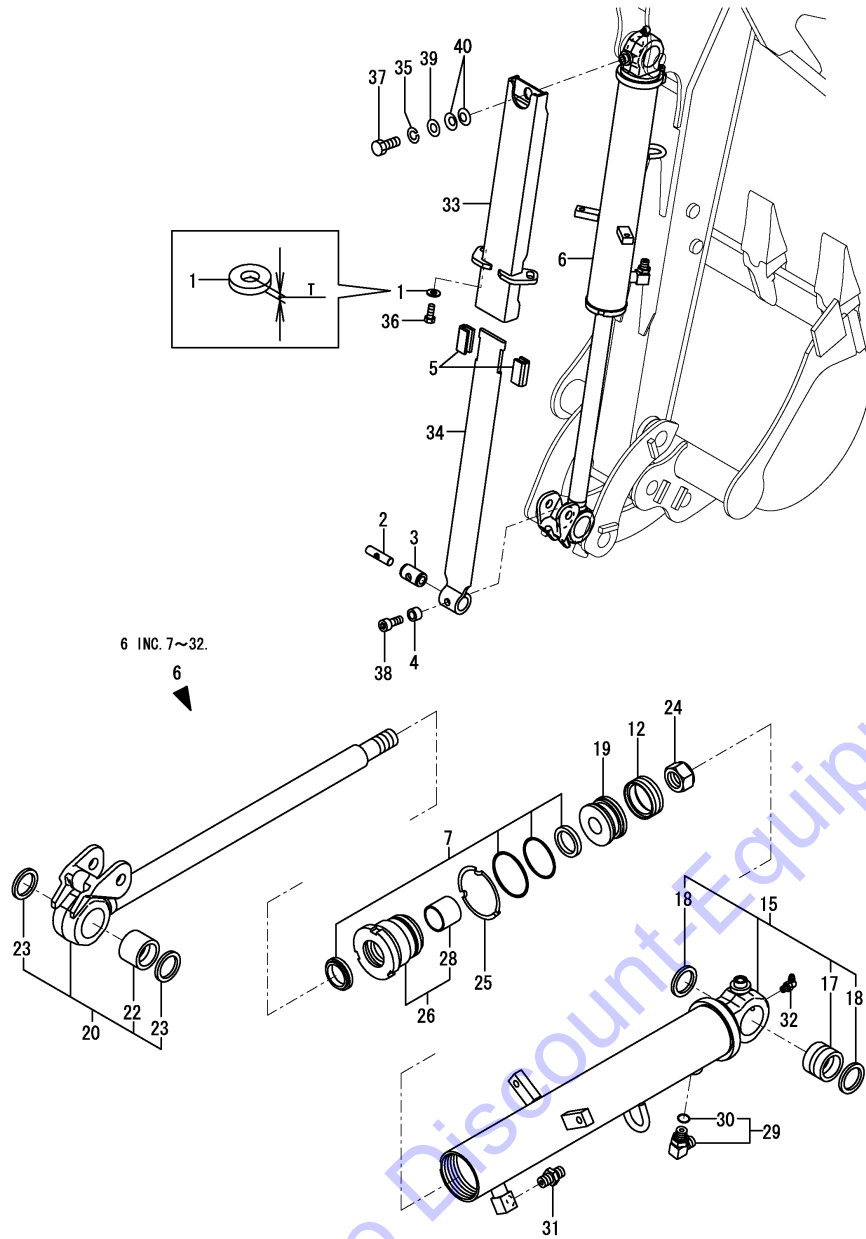


(A)=VIO17(US)  
 (B)=VIO17(AS)  
 (C)=VIO17(NZ)  
 (D)=VIO17(SG)  
 (E)=  
 (F)=

No.	Lev.	Parts No.	Description	Qty						I	R
				(A)	(B)	(C)	(D)	(E)	(F)		
1	1	172137-46042	SEAT, SPRING	4	4	4	4				
1-1	1	172A79-72570	WASHER	4	4	4	4				S 1
		(A=M02523) (B=M02523) (C=M02523) (D=M02523)									
2	1	172A23-72043	SHAFT	1	1	1	1				
3	1	172A23-72052	GROMMET	1	1	1	1				
4	1	172A46-72070	SPACER	1	1	1	1				
5	1	172A23-72081	GUIDE, SLIDE	2	2	2	2				
6	1	172A64-72300-1	CYLINDER ASSY, ARM	1	1	1	1				
6-1	1	172A64-72300-N	CYLINDER ASSY, ARM	1	1	1	1				S
		(A=M07001) (B=M07001) (C=M07001) (D=M07001)									
7	2	172449-72020	SEAL SET, HEAD 55 35	1	1	1	1				
12	2	172141-72250	NUT	1	1	1	1				
13	2	172A64-72310-1	TUBE ASSY, ARM	1	1	1	1				
13-1	2	172A64-72310-N	TUBE ASSY, ARM	1	1	1	1				S
		(A=M07001) (B=M07001) (C=M07001) (D=M07001)									
15	3	172149-72440	BUSH A 30X30,PIN	1	1	1	1				
16	3	172448-81600	SEAL, DUST 30X40X4	2	2	2	2				
17	2	172449-72321	GASKET ASSY, RGU55	1	1	1	1				
20	2	172A64-72350	ROD ASSY, ARM	1	1	1	1				
22	3	172149-72440	BUSH A 30X30,PIN	1	1	1	1				
23	3	172448-81600	SEAL, DUST 30X40X4	2	2	2	2				
24	2	172A64-72390	PISTON,55X27X28	1	1	1	1				
25	2	172449-72410	HEAD CMP B,55-35	1	1	1	1				
27	3	24550-035300	BUSH, 35X30	1	1	1	1				
28	2	172173-72550	ROCK WASHER 55	1	1	1	1				
29	2	172141-76180	CONNECTOR ASSY	2	2	2	2				
29-1	2	172141-76181	CONNECTOR ASSY, 02FF	2	2	2	2				N
		(A=M01400) (B=M01400) (C=M01400) (D=M01400)									
29-2	2	172A64-76180	ELBOW,G1/4-1/4	2	2	2	2				N
		(A=*2016.02.) (B=*2016.02.) (C=*2016.02.) (D=*2016.02.)									
30	3	24315-000110	O-RING, 1BP11.0	2	2	2	2				
30-1	3	41851-000110	O-RING	2	2	2	2				N
		(A=M01400) (B=M01400) (C=M01400) (D=M01400)									
31	2	24761-040000	NIPPLE, GREASE B	1	1	1	1				
32	2	24761-050000	NIPPLE, GREASE C	1	1	1	1				
33	1	172A64-72900-1	GUIDE ASSY	1	1	1	1				
33-1	1	172A64-72901-1	GUIDE ASSY, 500	1	1	1	1				R
		(A=M03951) (B=M03951) (C=M03951) (D=M03951)									
33-2	1	172A64-72901-N	GUIDE ASSY, 500	1	1	1	1				S
		(A=M07001) (B=M07001) (C=M07001) (D=M07001)									
34	1	172A64-72980-1	PLATE, SLIDE	1	1	1	1				
34-1	1	172A64-72980-N	PLATE,SLIDE 520	1	1	1	1				S
		(A=M07001) (B=M07001) (C=M07001) (D=M07001)									
35	1	26076-100202	BOLT, 10.910X 20	4	4	4	4				
35-1	1	26076-100252	BOLT, 10.910X 25	4	4	4	4				S
		(A=*2009.06.) (B=*2006.06.) (C=*2006.06.) (D=*2006.06.)									
36	1	26450-060162	BOLT, M6X 16	1	1	1	1				
36-1	1	172A47-72840	BOLT	1	1	1	1				N
		(A=M/# 01435) (B=M/# 01435) (C=M/# 01435) (D=M/# 01435)									

Remarks  
 (1)T=No.1 2mm, No.1-1 4.5mm.

Fig.45. BUCKET CYLINDER



(A)=VIO17(US)  
(B)=VIO17(AS)  
(C)=VIO17(NZ)

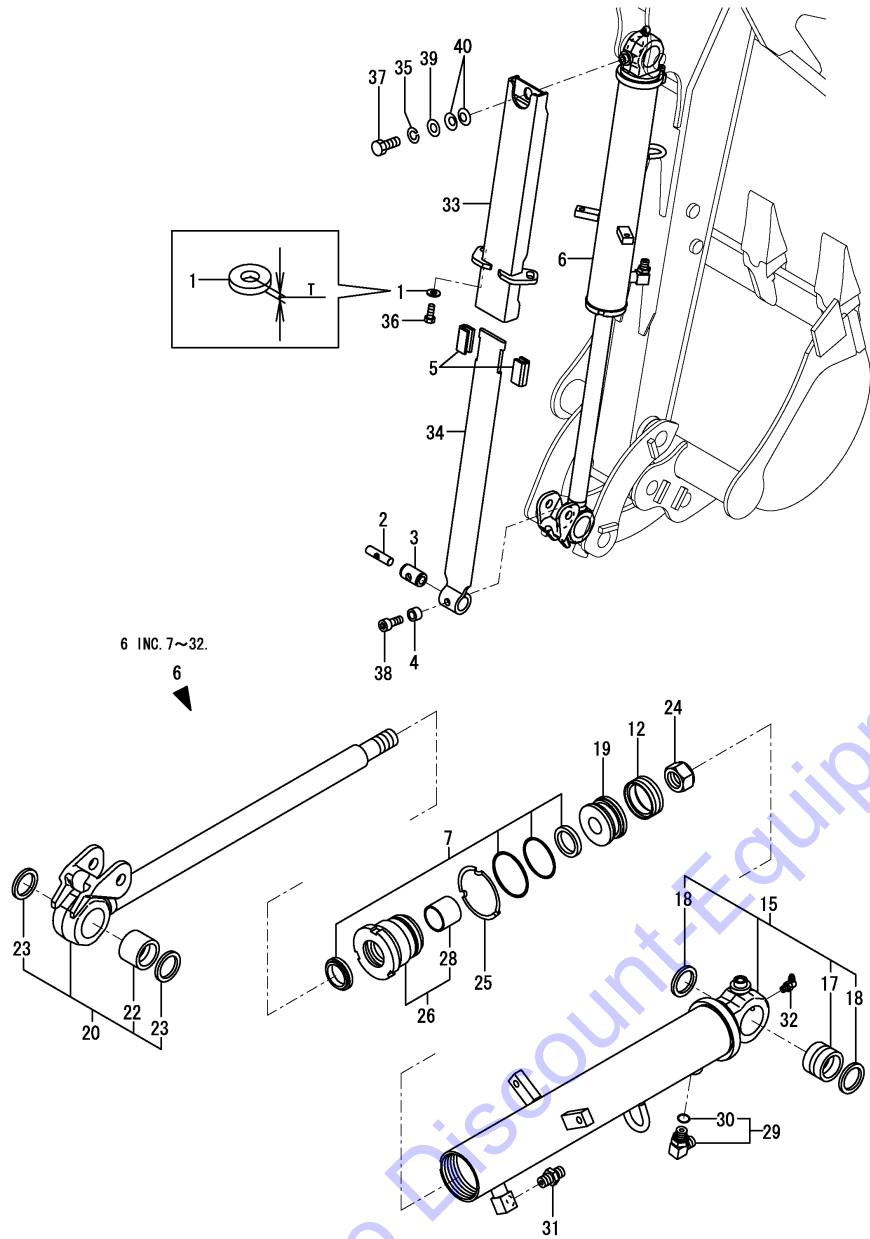
(D)=VIO17(SG)  
(E)=  
(F)=

No.	Lev.	Parts No.	Description	Q'ty						I	R
				(A)	(B)	(C)	(D)	(E)	(F)		
1	1	172137-46042	SEAT, SPRING	2	2	2	2				
1-1	1	172A79-72570	WASHER	2	2	2	2			S	1
		(A=M00501) (B=M00501) (C=M00501) (D=M00501)									
2	1	172A23-72043	SHAFT	1	1	1	1				
3	1	172A23-72052	GROMMET	1	1	1	1				
4	1	172A46-72070	SPACER	1	1	1	1				
5	1	172A23-72081	GUIDE, SLIDE	2	2	2	2				
6	1	172A64-72400-1	CYLINDER ASSY	1	1	1	1				
6-1	1	172A64-72400-N	CYLINDER ASSY	1	1	1	1				S
		(A=M07001) (B=M07001) (C=M07001) (D=M07001)									
7	2	172A64-72040	SEAL SET, HEAD 55 30	1	1	1	1				
12	2	172449-72321	GASKET ASSY, RGU55	1	1	1	1				
15	2	172A64-72410-1	TUBE ASSY, BUCKET	1	1	1	1				
15-1	2	172A64-72410-N	TUBE ASSY, BUCKET	1	1	1	1				S
		(A=M07001) (B=M07001) (C=M07001) (D=M07001)									
17	3	172149-72440	BUSH A 30X30,PIN	1	1	1	1				
18	3	172448-81600	SEAL, DUST 30X40X4	2	2	2	2				
19	2	172A64-72440	PISTON,55X22X28	1	1	1	1				
20	2	172A64-72450	ROD ASSY, BUCKET	1	1	1	1				
22	3	172149-72680	BUSH B 30X30,PIN	1	1	1	1				
22-1	3	172149-72440	BUSH A 30X30,PIN	1	1	1	1				R
		(A=M00503) (B=M00503) (C=M00503) (D=M00503)									
23	3	172448-81600	SEAL, DUST 30X40X4	2	2	2	2				
24	2	172A64-72490	NUT, M22X1.5	1	1	1	1				
25	2	172173-72550	ROCK WASHER 55	1	1	1	1				
26	2	172449-72560	HEAD CMP 55 30	1	1	1	1				
28	3	24550-030300	BUSH, 30X30	1	1	1	1				
29	2	172141-76180	CONNECTOR ASSY	1	1	1	1				
29-1	2	172141-76181	CONNECTOR ASSY, 02FF	1	1	1	1				N
		(A=M01400) (B=M01400) (C=M01400) (D=M01400)									
29-2	2	172A64-76180	ELBOW,G1/4-1/4	1	1	1	1				N
		(A=*2016.02.) (B=*2016.02.) (C=*2016.02.) (D=*2016.02.)									
30	3	24315-000110	O-RING, 1BP11.0	1	1	1	1				
30-1	3	41851-000110	O-RING	1	1	1	1				N
		(A=M01400) (B=M01400) (C=M01400) (D=M01400)									
31	2	23391-020000	JOINT, RGI-1/4	1	1	1	1				
32	2	24761-050000	NIPPLE, GREASE C	1	1	1	1				
33	1	172A64-72950-1	GUIDE ASSY	1	1	1	1				
33-1	1	172A64-72951-1	GUIDE ASSY, 445	1	1	1	1				R
		(A=M03951) (B=M03951) (C=M03951) (D=M03951)									
33-2	1	172A64-72951-N	GUIDE ASSY, 445	1	1	1	1				S
		(A=M07001) (B=M07001) (C=M07001) (D=M07001)									
34	1	172A64-72980-1	PLATE, SLIDE	1	1	1	1				
34-1	1	172A64-72980-N	PLATE,SLIDE 520	1	1	1	1				S
		(A=M07001) (B=M07001) (C=M07001) (D=M07001)									
35	1	22217-100000	WASHER, SPRING 10	1	1	1	1				Z
		(A=M/# 01109) (B=M/# 01109) (C=M/# 01109) (D=M/# 01109)									
36	1	26076-100202	BOLT, 10.910X 20	2	2	2	2				
36-1	1	26076-100252	BOLT, 10.910X 25	2	2	2	2				S
		(A=M00501) (B=M00501) (C=M00501) (D=M00501)									
37	1	26116-100202	BOLT, M10X 20 PLATED	1	1	1	1				

Remarks

(1)T=No.1 2mm, No.1-1 4.5mm.

Fig.45. BUCKET CYLINDER



(A)=VIO17(US)  
(B)=VIO17(AS)  
(C)=VIO17(NZ)

(D)=VIO17(SG)  
(E)=  
(F)=

No.	Lev.	Parts No.	Description	Q'ty						I	R
				(A)	(B)	(C)	(D)	(E)	(F)		
37-1	1	26013-100202	BOLT, M10X 20	1	1	1	1				N
		(A=M/# 01109) (B=M/# 01109) (C=M/# 01109) (D=M/# 01109)									
38	1	26450-060162	BOLT, M6X 16	1	1	1	1				
38-1	1	172A47-72840	BOLT	1	1	1	1				N
		(A=M/# 01435) (B=M/# 01435) (C=M/# 01435) (D=M/# 01435)									
39	1	933147-03400	WASHER, BRAKE ARM	1	1	1	1				
40	1	933168-14170	SPRING	2	2	2	2				

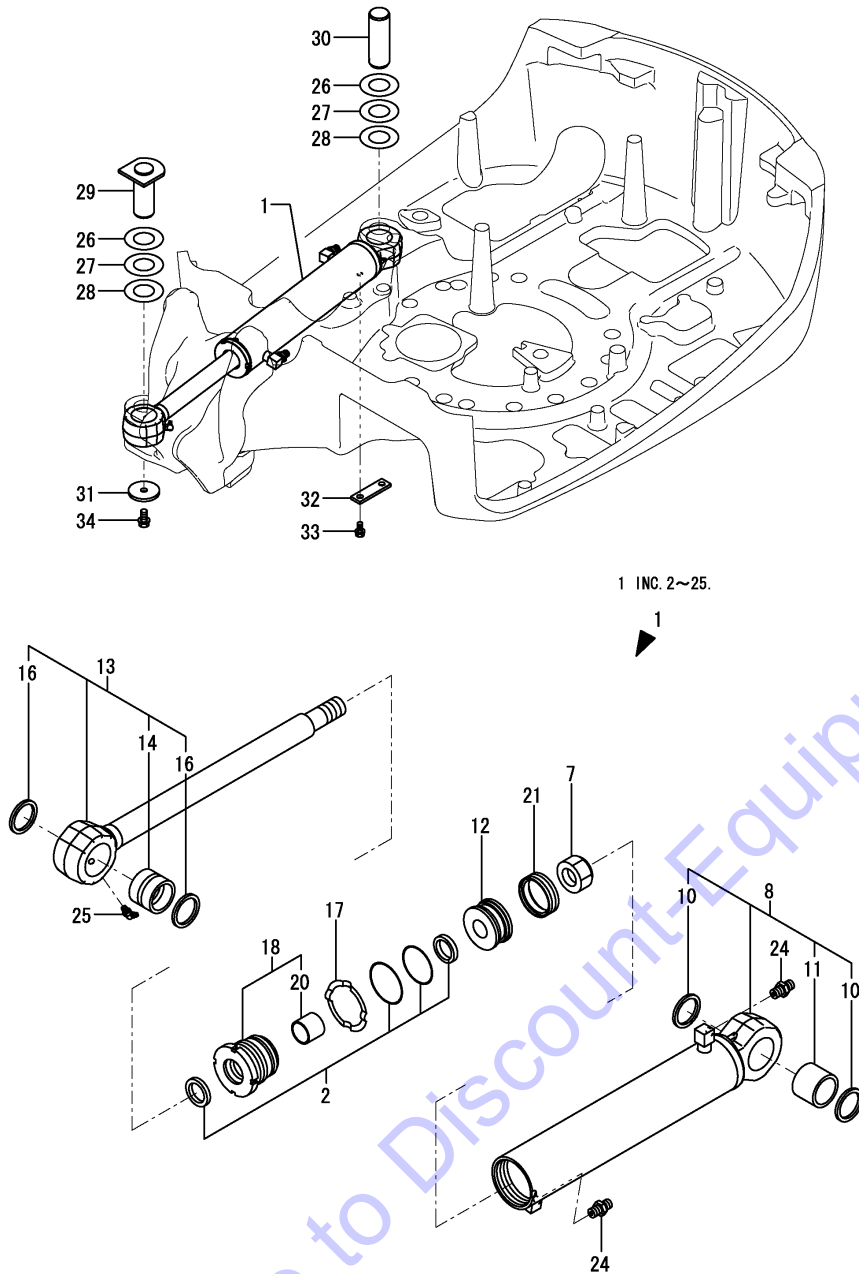
Remarks  
(1)T=No.1 2mm, No.1-1 4.5mm.



Fig.46. SWING CYLINDER

(A)=VIO17(US)  
(B)=VIO17(AS)  
(C)=VIO17(NZ)

(D)=VIO17(SG)  
(E)=  
(F)=



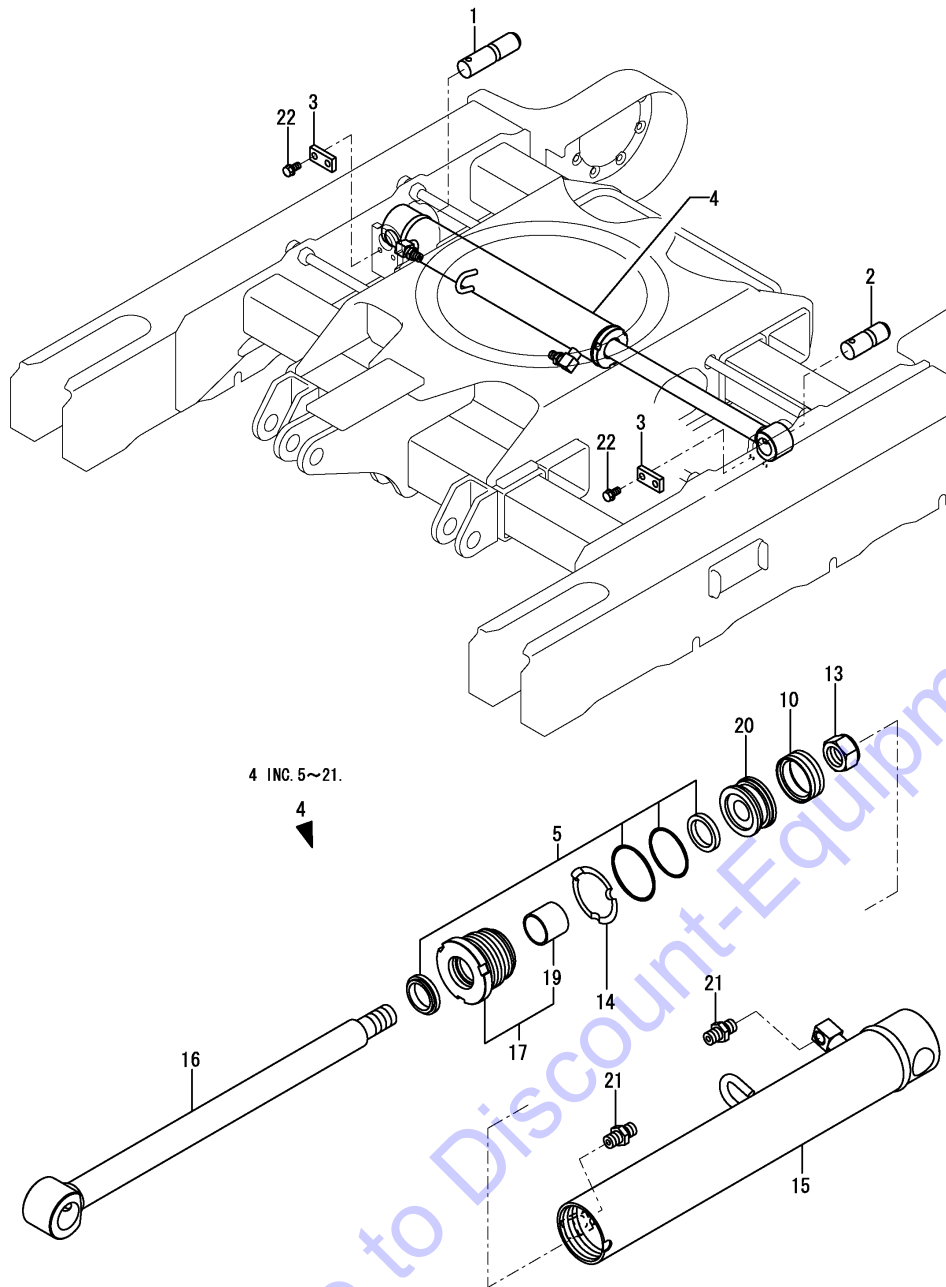
No.	Lev.	Parts No.	Description	Q'ty						I	R
				(A)	(B)	(C)	(D)	(E)	(F)		
1	1	172A64-72500	CYLINDER ASSY, SWING	1	1	1	1				
2	2	172449-72040	SEAL SET, HEAD 65 35	1	1	1	1				
7	2	172141-72250	NUT	1	1	1	1				
8	2	172A64-72510	TUBE ASSY, SWING	1	1	1	1				
10	3	172448-72650	SEAL, DUST	2	2	2	2				
11	3	172458-72740	BUSH	1	1	1	1				
12	2	172A64-72540	PISTON,65X27X31	1	1	1	1				
12-1	2	172A64-72541	PISTON,65 27-31	1	1	1	1				N
		(A=*2014.07)	(B=*2014.07)	(C=*2014.07)	(D=*2014.07)						
13	2	172A64-72550	ROD ASSY, SWING	1	1	1	1				
14	3	172168-72410	BUSH	1	1	1	1				
16	3	172448-72650	SEAL, DUST	2	2	2	2				
17	2	172142-72560	WASHER, LOCK	1	1	1	1				
18	2	172449-72810	HEAD CMP 65-35	1	1	1	1				
20	3	24550-035300	BUSH, 35X30	1	1	1	1				
21	2	172449-72960	GASKET RGU 65	1	1	1	1				
21-1	2	172A64-70170	SEAL SET,RGU-65	1	1	1	1				N
		(A=*2014.07)	(B=*2014.07)	(C=*2014.07)	(D=*2014.07)						
24	2	23391-020000	JOINT, RGI-1/4	2	2	2	2				
25	2	24761-050000	NIPPLE, GREASE C	1	1	1	1				
26	1	172165-82580	SHIM	2	2	2	2				
27	1	172165-82590	SHIM	2	2	2	2				
28	1	172165-82600	SHIM	2	2	2	2				
29	1	172A64-82650	PIN ASSY, 40X96	1	1	1	1				
30	1	172A64-82670	PIN, 40X120	1	1	1	1				
31	1	172146-82910	SPACER	1	1	1	1				
32	1	172117-83970-7	PLATE, LOCK	1	1	1	1				
33	1	26013-100202	BOLT, M10X 20	2	2	2	2				
34	1	26013-120252	BOLT, M12X 25	1	1	1	1				



Fig.48. VARIABLE LEG WIDEN / SHORTEN CYLINDER

(A)=VIO17(US)  
(B)=VIO17(AS)  
(C)=VIO17(NZ)

(D)=VIO17(SG)  
(E)=  
(F)=

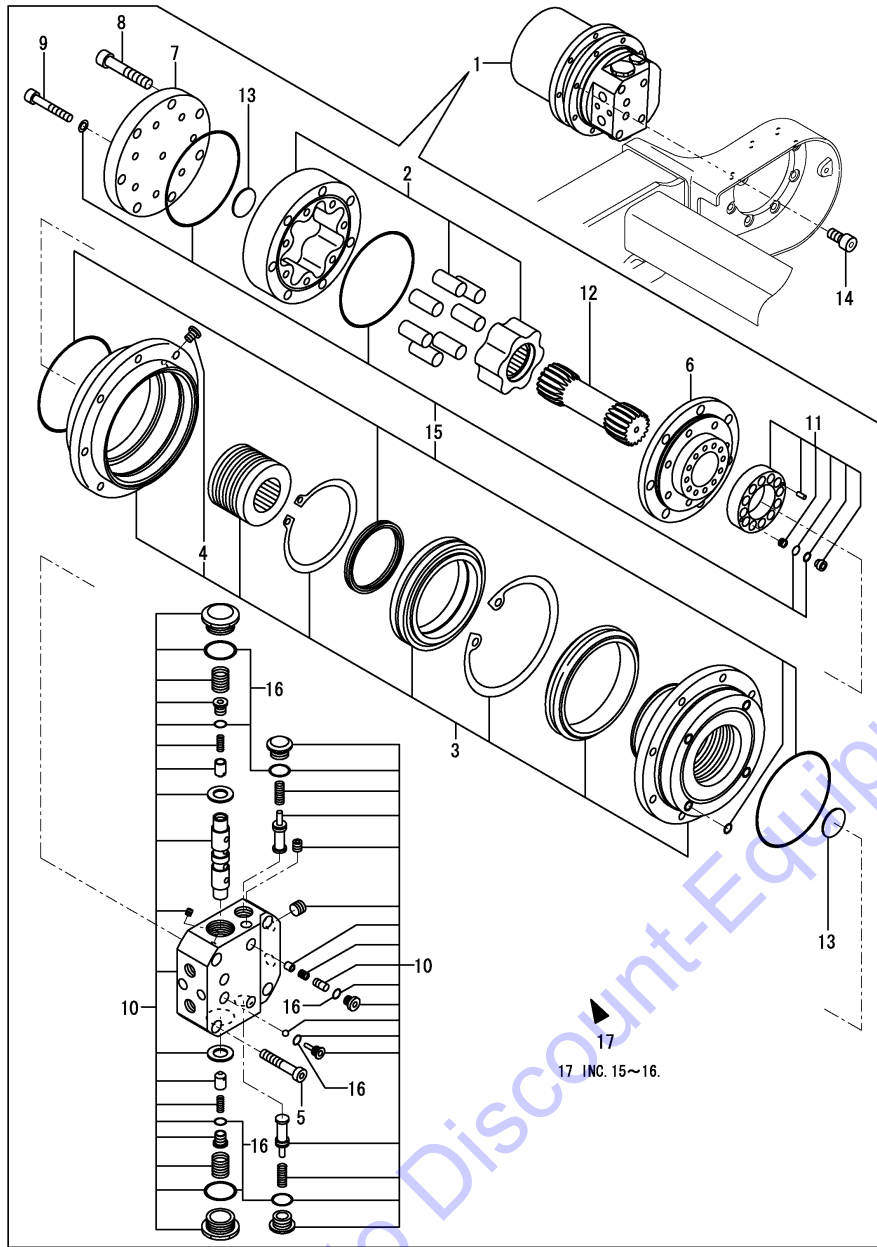


No.	Lev.	Parts No.	Description	Q'ty						I	R
				(A)	(B)	(C)	(D)	(E)	(F)		
1	1	172A64-50720	PIN 30X95	1	1	1	1				
2	1	172A64-50730	PIN 30X65	1	1	1	1				
3	1	172A64-50770	PLATE,LOCK (GRAY:49)	2	2	2	2				
4	1	172A64-72700	CYLINDER ASSY	1	1	1	1				
5	2	172A64-72040	SEAL SET, HEAD 55 30	1	1	1	1				
10	2	172449-72321	GASKET ASSY, RGU55	1	1	1	1				
10-1	2	172A64-70110	SEAL SET,RGU-55	1	1	1	1				N
		(A=*2014.07)	(B=*2014.07)	(C=*2014.07)	(D=*2014.07)						
13	2	172A64-72490	NUT, M22X1.5	1	1	1	1				
14	2	172173-72550	ROCK WASHER 55	1	1	1	1				
15	2	172A64-72710	TUBE ASSY, VARIABLE	1	1	1	1				
16	2	172A64-72750	ROD ASSY, VARIABLE	1	1	1	1				
17	2	172A64-72810	HEAD ASSY, 55 30	1	1	1	1				
19	3	24550-030300	BUSH, 30X30	1	1	1	1				
20	2	172A64-72860	PISTON,55	1	1	1	1				
20-1	2	172A64-72861	PISTON,55 22-26	1	1	1	1				N
		(A=*2014.07)	(B=*2014.07)	(C=*2014.07)	(D=*2014.07)						
21	2	23391-020000	JOINT, RGI-1/4	2	2	2	2				
22	1	26013-100252	BOLT, M10X 25	4	4	4	4				
22-1	1	26014-100252	BOLT, M10X 25	4	4	4	4				N
		(A=*2007.08)	(B=*2007.08)	(C=*2007.08)	(D=*2007.08)						

Fig.49. TRAVEL MOTOR

(A)=VIO17(US)  
 (B)=VIO17(AS)  
 (C)=VIO17(NZ)

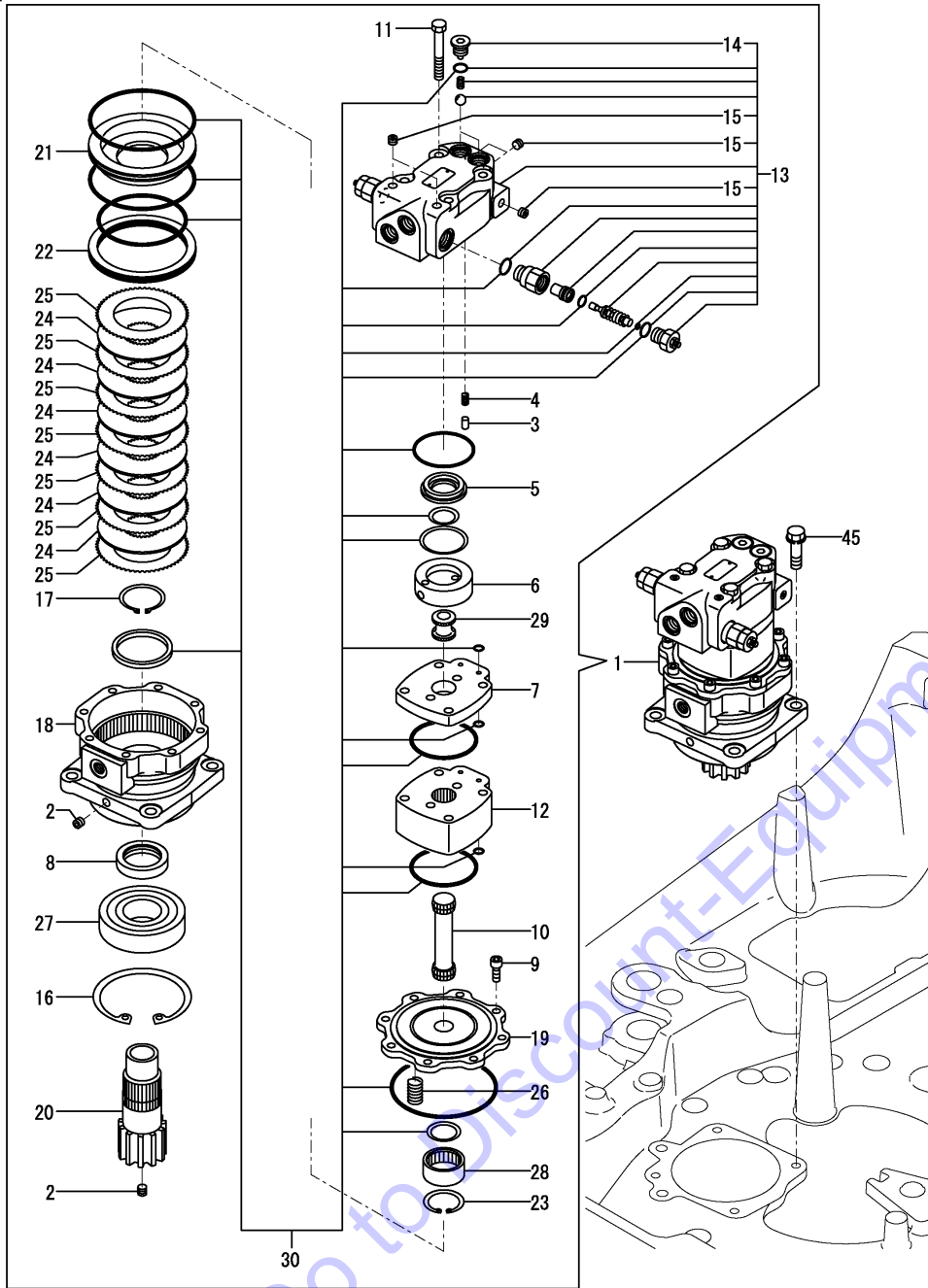
(D)=VIO17(SG)  
 (E)=  
 (F)=



No.	Lev.	Parts No.	Description	Q'ty						I	R
				(A)	(B)	(C)	(D)	(E)	(F)		
1	1	172A64-73300	MOTOR ASSY, TRAVEL	2	2	2	2				
2	2	172A64-73350	GEROLLER ASSY	2	2	2	2				
3	2	172A64-73360	SPINDLE WHEEL ASSY	2	2	2	2				
4	3	172A64-73440	PLUG	2	2	2	2				
5	2	172168-73370	BOLT	8	8	8	8				
6	2	172A64-73380	PLATE, VALVE	2	2	2	2				
7	2	172A64-73390	COVER, ROLLER	2	2	2	2				
8	2	172A64-73400	BOLT, 10X80	14	14	14	14				
9	2	172A64-73410	BOLT, 8X73	14	14	14	14				
10	2	172A64-73420	COVER ASSY, END	2	2	2	2				
11	2	172A64-73430	VALVE ASSY	2	2	2	2				
12	2	172A64-73450	DRIVE	2	2	2	2				
13	2	172A64-73460	SPACER	4	4	4	4				
14	1	26450-100252	BOLT, M10X 25	16	16	16	16				
15	1	172A64-73510	SEAL SET, MOTOR	2	2	2	2				
16	1	172A64-73520	SEAL SET, END COVER	2	2	2	2				
17	1	172A64-73500	KIT, TRAVEL MOTOR	2	2	2	2				W 1
(A=*2007.08) (B=*2007.08) (C=*2007.08) (D=*2007.08)											

Remarks  
 (1)Order No.15 & 16.

Fig.50. TURNING MOTOR



(A)=VIO17(US)  
(B)=VIO17(AS)  
(C)=VIO17(NZ)

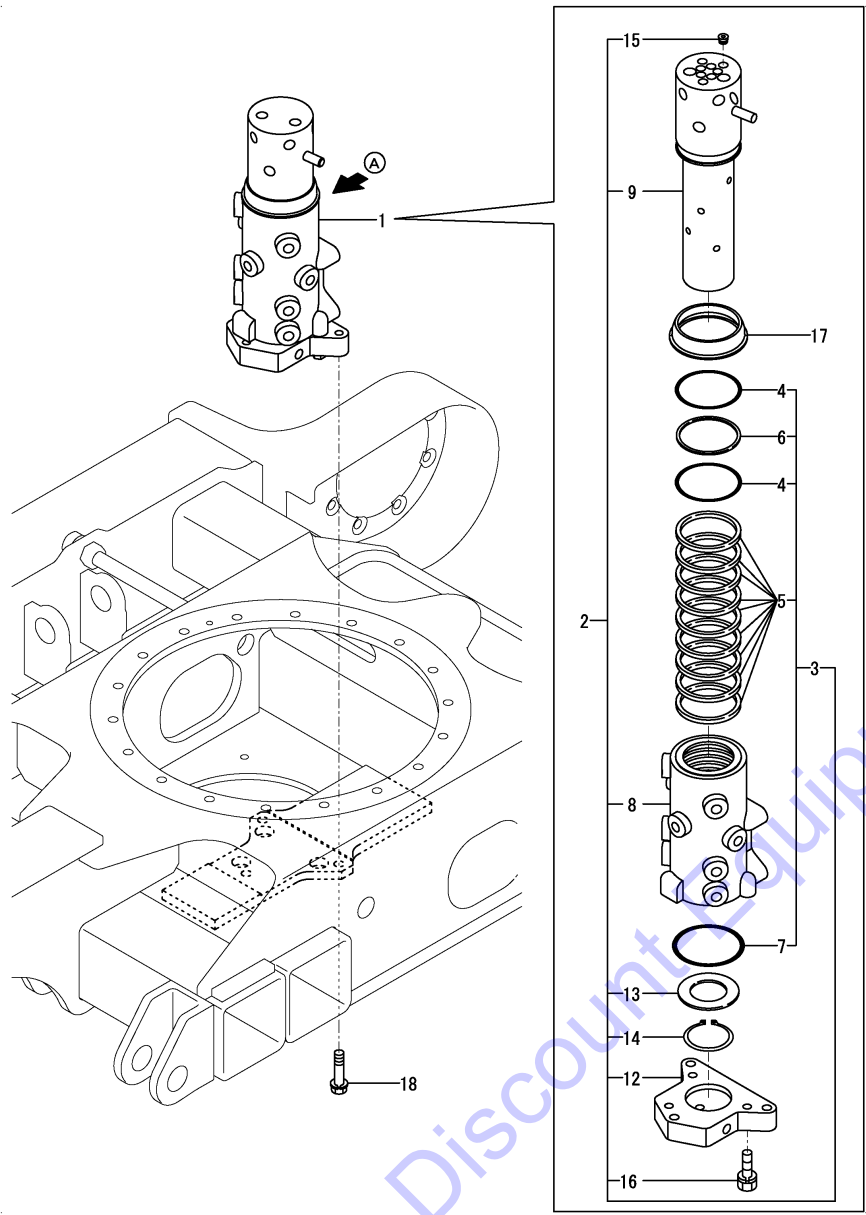
(D)=VIO17(SG)  
(E)=  
(F)=

No.	Lev.	Parts No.	Description	Q'ty						I	R
				(A)	(B)	(C)	(D)	(E)	(F)		
1	1	172A64-73310	MOTOR ASSY, REVOLVE	1	1	1	1				
2	2	172137-70490	PLUG	2	2	2	2				
3	2	172137-70570	PIN	2	2	2	2				
4	2	172137-70580	SPRING	2	2	2	2				
5	2	172137-70590	PLATE	1	1	1	1				
6	2	172137-70600	VALVE	1	1	1	1				
7	2	172148-73350	PLATE, VALVE	1	1	1	1				
8	2	172173-73520	COLLAR	1	1	1	1				
9	2	172A64-73600	BOLT,8X20	8	8	8	8				
10	2	172A64-73610	DRIVE	1	1	1	1				
11	2	172A64-73620	BOLT	4	4	4	4				
12	2	172A64-73630	GEROLLER	1	1	1	1				
13	2	172A64-73640	HOUSING ASSY, VALVE	1	1	1	1				
14	3	172168-73590	PLUG	2	2	2	2				
15	3	23871-010000	PLUG, R01	3	3	3	3				
16	2	172173-73690	SNAP RING	1	1	1	1				
17	2	172173-73700	CIRCLIP	1	1	1	1				
18	2	172456-77150	HOUSING, BEARING	1	1	1	1				
19	2	172456-77160	FLANGE, MOUTING	1	1	1	1				
20	2	172456-77170	GEAR, PINION	1	1	1	1				
21	2	172456-77180	PISTON, HYDRAULIC	1	1	1	1				
22	2	172456-77190	RING	1	1	1	1				
23	2	172456-77200	CIRCLIP	1	1	1	1				
24	2	172456-77210	PLATE, FRICTION	6	6	6	6				
25	2	172456-77220	PLATE	7	7	7	7				
26	2	172456-77230	SPRING	8	8	8	8				
27	2	172456-77240	FRONT BEARING	1	1	1	1				
28	2	172456-77250	NEEDLE BEARING	1	1	1	1				
29	2	172141-77260	DRIVE, VALVE	1	1	1	1				
30	2	172A64-73660	SEAL SET	1	1	1	1				
45	1	26013-120402	BOLT, M12X 40	4	4	4	4				

Fig.51. SWIVEL JOINT(Y SPEC.)(TO M08198)

(A)=VIO17(US)  
 (B)=VIO17(AS)  
 (C)=VIO17(NZ)

(D)=VIO17(SG)  
 (E)=  
 (F)=



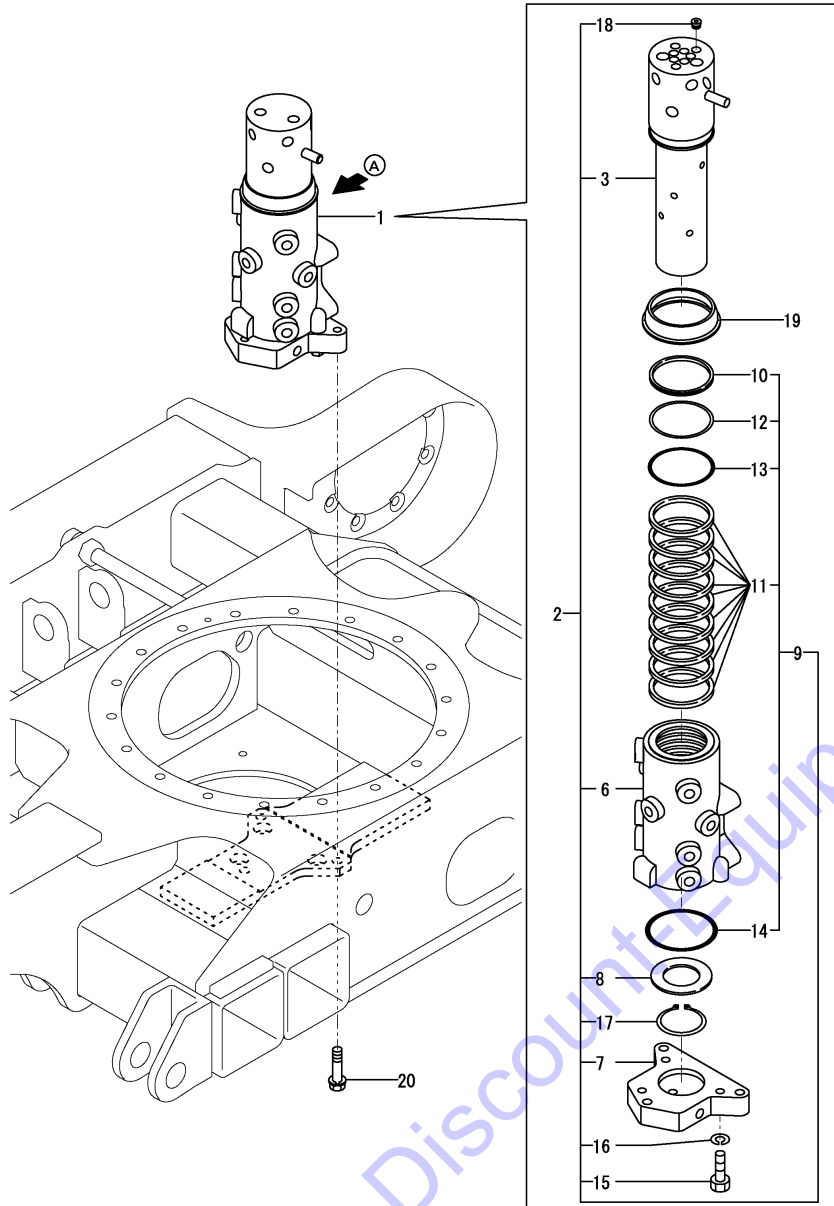
No.	Lev.	Parts No.	Description	Q'ty						I	R
				(A)	(B)	(C)	(D)	(E)	(F)		
1	1	172448-73840	SWIVEL ASSY	1	1	1	1			Z	1
		(A=M08199) (B=M08199) (C=M08199) (D=M08199)									
2	2	172448-73851	SWIVEL ASSY	1	1	1	1				
3	3	172446-73900	SEAL SET, SWIVEL	1	1	1	1				
4	4	172142-73800	O-RING, 55.76X5.7	2	2	2	2				
5	4	172447-73840	SEAL	9	9	9	9				
6	4	172148-73870	RING, BUCK UP	1	1	1	1				
7	4	24321-000700	O-RING, 1AG70.0	1	1	1	1				
8	3	172448-73860	HUB, SWIVEL	1	1	1	1				
9	3	172446-73872	SHAFT, SWIVEL	1	1	1	1				
12	3	172446-73890	FLANGE, SWIVEL	1	1	1	1				
13	3	172157-73910	SPACER, SWIVEL	1	1	1	1				
14	3	22242-000401	RING, 40	1	1	1	1				
15	3	23871-010000	PLUG, R01	8	8	8	8				
16	3	26013-080352	BOLT, M8X 35	3	3	3	3				
17	2	172448-73900	COVER, DUCT	1	1	1	1				
18	1	26013-100302	BOLT, M10X 30	3	3	3	3				

Remarks  
 (1)A : no label.  
 Compatible by assembly exchange with parts of Fig.89(51A) No.1.  
 The inner parts are not compatible.

Fig.89. (51A)SWIVEL JOINT(N SPEC.)(FROM M08199)

(A)=VIO17(US)  
(B)=VIO17(AS)  
(C)=VIO17(NZ)

(D)=VIO17(SG)  
(E)=  
(F)=



No.	Lev.	Parts No.	Description	Q'ty						I	R
				(A)	(B)	(C)	(D)	(E)	(F)		
1	1	172A64-73790 (A=M08199) (B=M08199) (C=M08199) (D=M08199)	JOINT ASSY,SWIVEL S	1	1	1	1			W	1
2	2	172A64-73800	JOINT ASSY,SWIVEL S	1	1	1	1				
3	3	172A64-73810	SHAFT ASSY,SWIVEL SL	1	1	1	1				
6	3	172A64-73840	HUB,SWIVEL S	1	1	1	1				
7	3	172A64-73850	FLANGE,SWIVEL SL	1	1	1	1				
8	3	172B02-73860	SPACER, SWIVEL	1	1	1	1				
9	3	172A64-73880	SEAL KIT,SL	1	1	1	1				
9-1	3	172A64-73860	SEAL KIT, SWIVEL	1	1	1	1				N
		(A=*2014.04.) (B=*2014.04.) (C=*2014.04.) (D=*2014.04.)									
10	4	172A64-73870	RING,V	1	1	1	1				
11	4	172B02-73870	SEAL, SWIVEL	9	9	9	9				
11-1	4	172B02-73890	SEAL, SWIVEL	9	9	9	9				N
		(A=*2014.04.) (B=*2014.04.) (C=*2014.04.) (D=*2014.04.)									
12	4	172B02-73880	RING, BACKUP T3 55	1	1	1	1				
13	4	24315-000560	O-RING, 1BP56.0	1	1	1	1				
14	4	24325-000700	O-RING, 1BG70.0	1	1	1	1				
15	3	172A64-73890	BOLT,10.9 8X 40	3	3	3	3				
16	3	22217-080000	WASHER, SPRING 8	3	3	3	3				
17	3	22242-000451	RING, 45	1	1	1	1				
18	3	23871-010000	PLUG, R01	8	8	8	8				
19	2	172448-73900	COVER, DUCT	1	1	1	1				
20	1	26013-100302	BOLT, M10X 30	3	3	3	3				

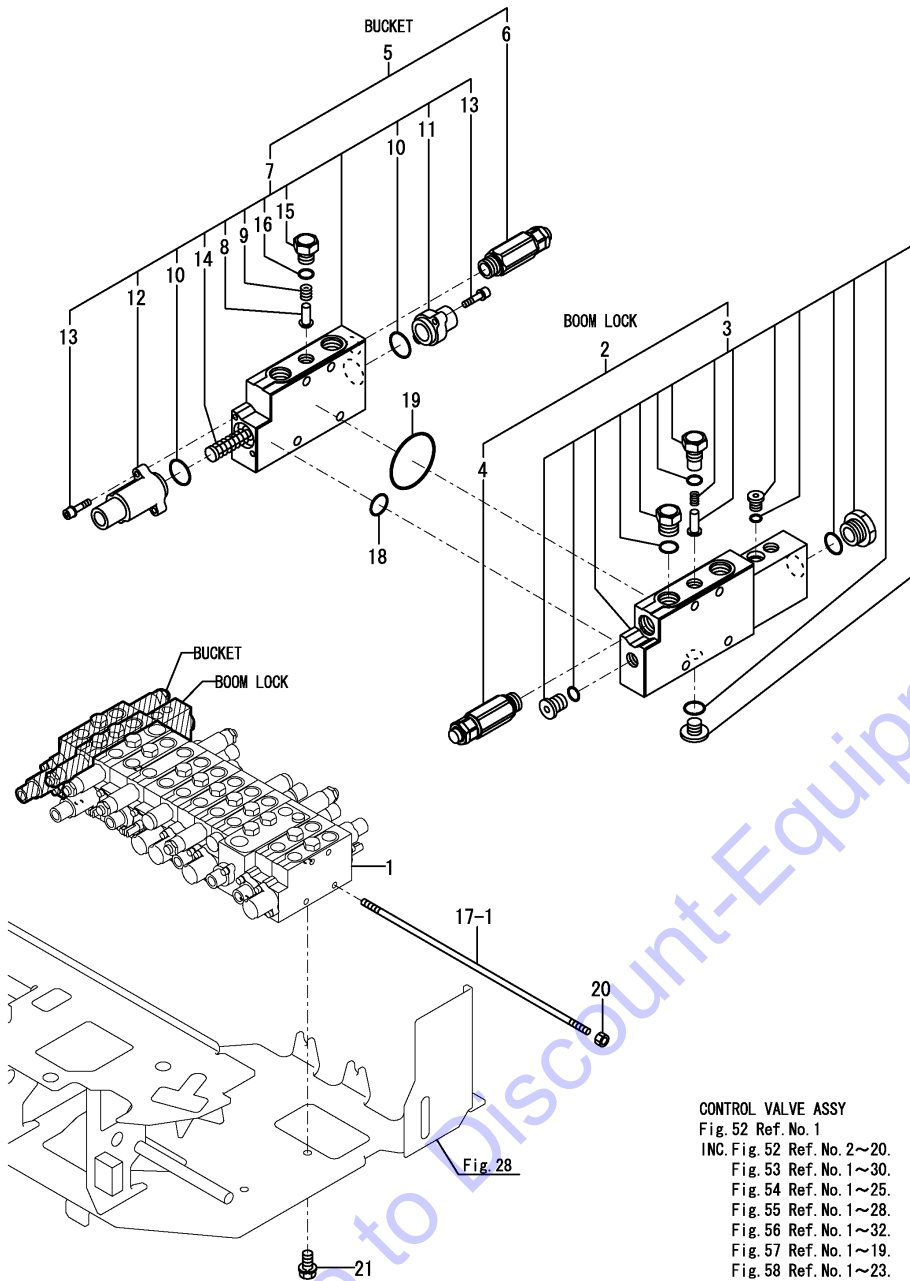
Remarks

(1)A:NACHI LABEL  
Compatible by assembly exchange from parts of Fig.51 No.1.  
The inner parts are not compatible.

Fig.52. CONTROL VALVE(1/7)

(A)=VIO17(US)  
(B)=VIO17(AS)  
(C)=VIO17(NZ)

(D)=VIO17(SG)  
(E)=  
(F)=



CONTROL VALVE ASSY  
Fig. 52 Ref. No. 1  
INC. Fig. 52 Ref. No. 2~20.  
Fig. 53 Ref. No. 1~30.  
Fig. 54 Ref. No. 1~25.  
Fig. 55 Ref. No. 1~28.  
Fig. 56 Ref. No. 1~32.  
Fig. 57 Ref. No. 1~19.  
Fig. 58 Ref. No. 1~23.

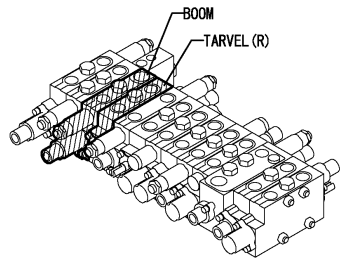
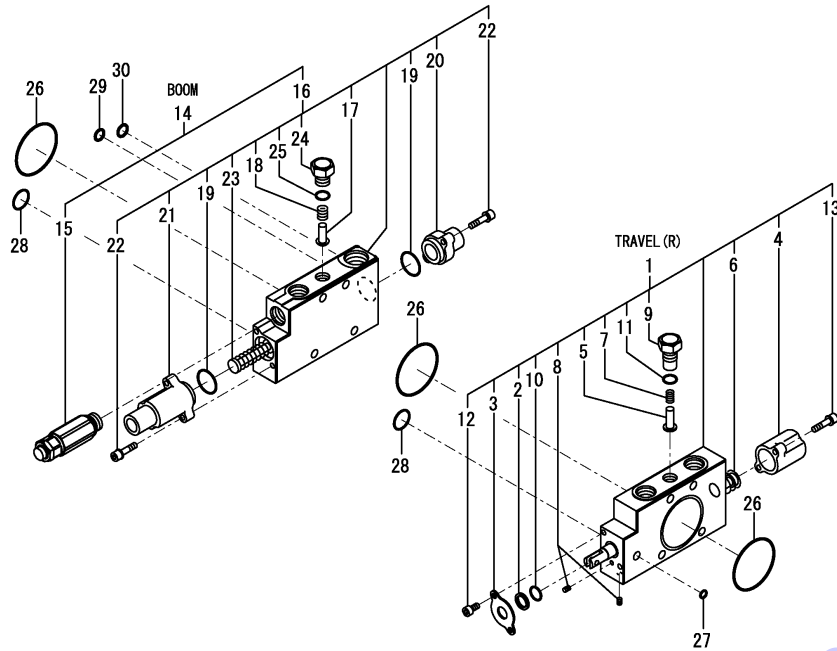
No.	Lev.	Parts No.	Description	Q'ty						I	R
				(A)	(B)	(C)	(D)	(E)	(F)		
1	1	172A64-74100	VALVE ASSY, CONTROL	1	1	1	1				
2	2	172A64-74430	VALVE, BOOM LOCK	1	1	1	1				
3	3	172A64-74440	BOOM LOCK ASSY	1	1	1	1				
4	3	172456-74440	VALVE, RELIEF	1	1	1	1				
5	2	172A64-74450	SECTION, BUCKET	1	1	1	1				
6	3	172456-74280	VALVE ASSY, RELIEF 2	1	1	1	1				
7	3	172A64-74460	SECTION ASSY, BUCKET	1	1	1	1				
8	4	172458-74150	VALVE, REVERSE	1	1	1	1				
9	4	172458-74160	SPRING, VALVE	1	1	1	1				
10	4	172458-74230	O-RING	2	2	2	2				
11	4	172458-74240	COVER, PILOT	1	1	1	1				
12	4	172458-74250	COVER, PILOT	1	1	1	1				
13	4	172458-74260	BOLT	4	4	4	4				
14	4	172A64-74470	SPOOL ASSY, BUCKET	1	1	1	1				
15	4	172458-74630	STAY, VALVE	1	1	1	1				
16	4	24315-000110	O-RING, 1BP11.0	1	1	1	1				
16-1	4	41851-000110	O-RING	1	1	1	1				N
(A=*2008.03) (B=*2008.03) (C=*2008.03) (D=*2008.03)											
17-1	2	172A47-75450	BOLT	4	4	4	4				
18	2	172458-74720	O-RING	1	1	1	1				
19	2	24311-000180	O-RING, 1AP18.0	1	1	1	1				
20	2	26716-080002	NUT, M8	4	4	4	4				
21	1	26013-100162	BOLT, M10X 16	3	3	3	3				



Fig.53. CONTROL VALVE(2/7)

(A)=VIO17(US)  
(B)=VIO17(AS)  
(C)=VIO17(NZ)

(D)=VIO17(SG)  
(E)=  
(F)=



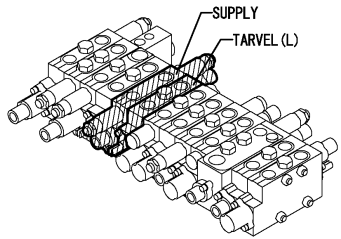
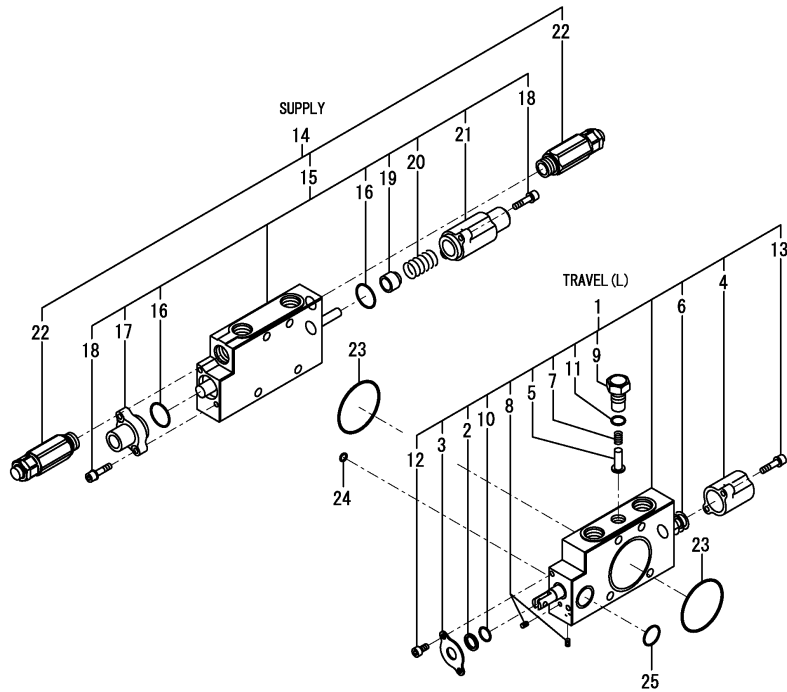
No.	Lev.	Parts No.	Description	Q'ty						I	R
				(A)	(B)	(C)	(D)	(E)	(F)		
1	2	172A64-74390	SECTION ASSY, TRAVEL	1	1	1	1				
2	3	172458-74130	WIPER, DUST	1	1	1	1				
3	3	172458-74140	RETAINER, SEAL	1	1	1	1				
4	3	172458-74170	CAP, SPRING	1	1	1	1				
5	3	172458-74290	VALVE, REVERSE	1	1	1	1				
6	3	172A64-74360	SPOOL ASSY, TRAVEL	1	1	1	1				
7	3	172458-74360	SPRING, VALVE	1	1	1	1				
8	3	172458-74460	PLUG	2	2	2	2				
9	3	172458-74640	STAY, VALVE	1	1	1	1				
10	3	24311-000120	O-RING, 1AP12.0	1	1	1	1				
11	3	24315-000110	O-RING, 1BP11.0	1	1	1	1				
11-1	3	41851-000110	O-RING	1	1	1	1				N
		(A=*2008.03)	(B=*2008.03)	(C=*2008.03)	(D=*2008.03)						
12	3	26450-050102	BOLT, M5X 10	2	2	2	2				
13	3	26450-050182	BOLT, M5X 18	2	2	2	2				
14	2	172A64-74400	SECTION, BOOM	1	1	1	1				
15	3	172462-74340	VALVE ASSY, OVERLOAD	1	1	1	1				
16	3	172A64-74410	SECTION ASSY, BOOM	1	1	1	1				
17	4	172458-74150	VALVE, REVERSE	1	1	1	1				
18	4	172458-74160	SPRING, VALVE	1	1	1	1				
19	4	172458-74230	O-RING	2	2	2	2				
20	4	172458-74240	COVER, PILOT	1	1	1	1				
21	4	172458-74250	COVER, PILOT	1	1	1	1				
22	4	172458-74260	BOLT	4	4	4	4				
23	4	172A64-74420	SPOOL ASSY, BOOM	1	1	1	1				
24	4	172458-74630	STAY, VALVE	1	1	1	1				
25	4	24315-000110	O-RING, 1BP11.0	1	1	1	1				
25-1	4	41851-000110	O-RING	1	1	1	1				N
		(A=*2008.03)	(B=*2008.03)	(C=*2008.03)	(D=*2008.03)						
26	2	172458-74720	O-RING	3	3	3	3				
27	2	24311-000060	O-RING, 1AP6.0	1	1	1	1				
28	2	24311-000180	O-RING, 1AP18.0	2	2	2	2				
29	2	24315-000090	O-RING, 1BP9.0	1	1	1	1				
30	2	24315-000100	O-RING, 1BP10.0	1	1	1	1				

Remarks

\* Control valve assy is shown in Fig.52.

N:Old  $\xrightarrow{\text{Yes}}$  New, Q:Old  $\xrightarrow{\text{No}}$  New, R:Old  $\xrightarrow{\text{Yes}}$  New, S:Old  $\xrightarrow{\text{No}}$  New, W:Add, Z:Discontinued, F:Interchangeable by set, K:Q'ty Change

Fig.54. CONTROL VALVE(3/7)



(A)=VIO17(US)  
(B)=VIO17(AS)  
(C)=VIO17(NZ)

(D)=VIO17(SG)  
(E)=  
(F)=

No.	Lev.	Parts No.	Description	Q'ty						I	R
				(A)	(B)	(C)	(D)	(E)	(F)		
1	2	172A64-74350	SECTION ASSY, TRAVEL	1	1	1	1				
2	3	172458-74130	WIPER, DUST	1	1	1	1				
3	3	172458-74140	RETAINER, SEAL	1	1	1	1				
4	3	172458-74170	CAP, SPRING	1	1	1	1				
5	3	172458-74290	VALVE, REVERSE	1	1	1	1				
6	3	172A64-74360	SPOOL ASSY, TRAVEL	1	1	1	1				
7	3	172458-74360	SPRING, VALVE	1	1	1	1				
8	3	172458-74460	PLUG	2	2	2	2				
9	3	172458-74640	STAY, VALVE	1	1	1	1				
10	3	24311-000120	O-RING, 1AP12.0	1	1	1	1				
11	3	24315-000110	O-RING, 1BP11.0	1	1	1	1				
11-1	3	41851-000110	O-RING	1	1	1	1				N
(A=*208.03) (B=*2008.03) (C=*2008.03) (D=*2008.03)											
12	3	26450-050102	BOLT, M5X 10	2	2	2	2				
13	3	26450-050182	BOLT, M5X 18	2	2	2	2				
14	2	172A64-74370	VALVE, CNTROL INLLET	1	1	1	1				
15	3	172A64-74380	SECTION ASSY, SUPPLY	1	1	1	1				
16	4	172458-74230	O-RING	2	2	2	2				
17	4	172458-74240	COVER, PILOT	1	1	1	1				
18	4	172458-74260	BOLT	4	4	4	4				
19	4	172458-74530	SEAT, SPRING	1	1	1	1				
20	4	172458-74540	SPRING, RETURN	1	1	1	1				
21	4	172458-74550	COVER, PILOT	1	1	1	1				
22	3	172A64-74480	VALVE, RELIEF	2	2	2	2				
23	2	172458-74720	O-RING	2	2	2	2				
24	2	24311-000060	O-RING, 1AP6.0	1	1	1	1				
25	2	24311-000180	O-RING, 1AP18.0	1	1	1	1				

Remarks

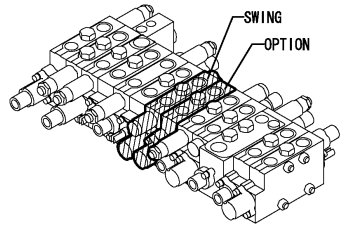
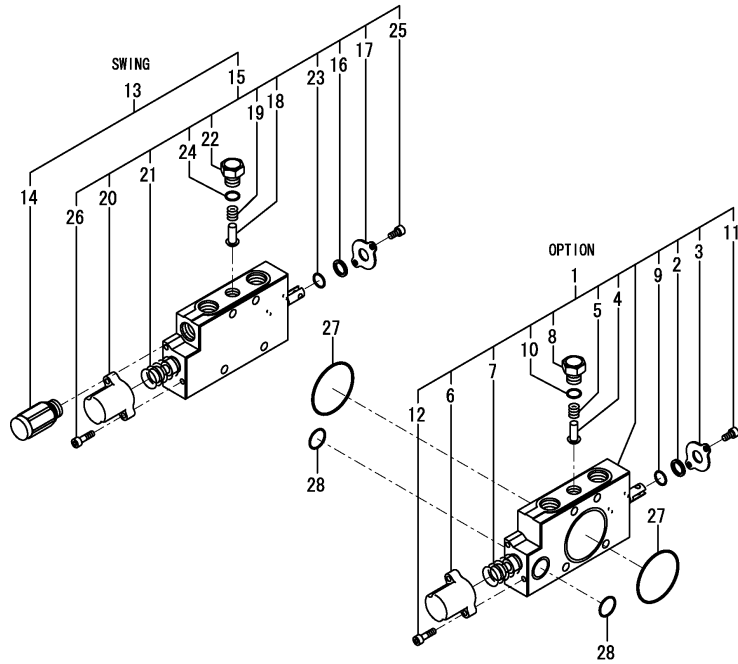
\* Control valve assy is shown in Fig.52.

N:Old  $\begin{matrix} \leftarrow \text{Yes} \\ \text{No} \end{matrix}$  New, Q:Old  $\begin{matrix} \leftarrow \text{No} \\ \text{Yes} \end{matrix}$  New, R:Old  $\begin{matrix} \leftarrow \text{Yes} \\ \text{No} \end{matrix}$  New, S:Old  $\begin{matrix} \leftarrow \text{No} \\ \text{Yes} \end{matrix}$  New, W:Add, Z:Discontinued, F:Interchangeable by set, K:Q'ty Change

Fig.55. CONTROL VALVE(4/7)

(A)=VIO17(US)  
(B)=VIO17(AS)  
(C)=VIO17(NZ)

(D)=VIO17(SG)  
(E)=  
(F)=

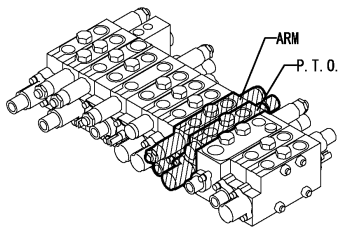
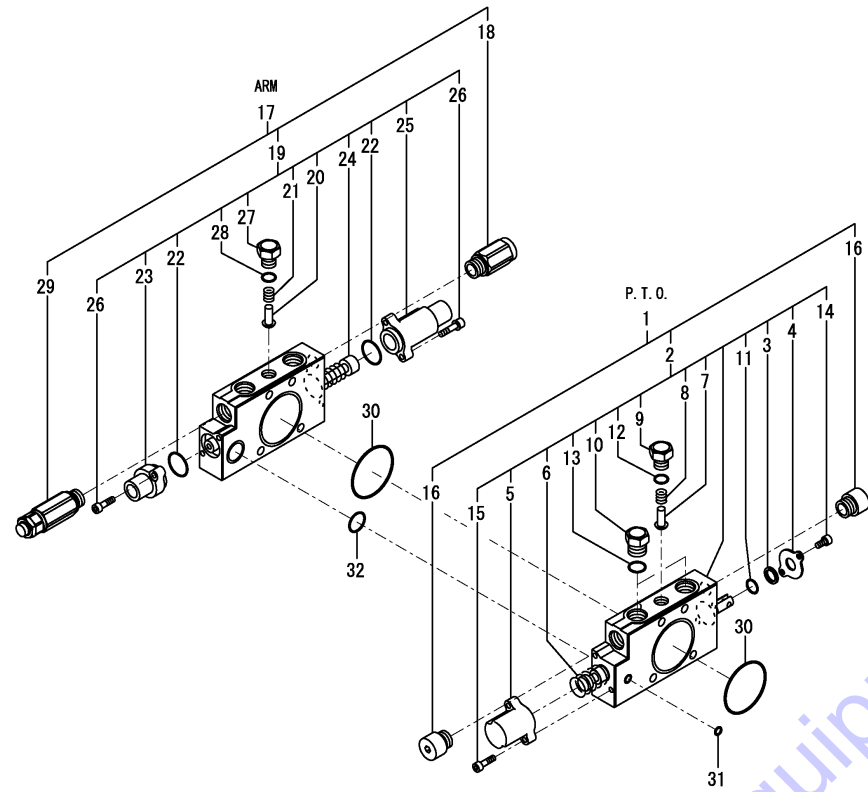


No.	Lev.	Parts No.	Description	Q'ty						I	R
				(A)	(B)	(C)	(D)	(E)	(F)		
1	2	172A64-74260	SECTION ASSY, OPTION	1	1	1	1				
2	3	172458-74130	WIPER, DUST	1	1	1	1				
3	3	172458-74140	RETAINER, SEAL	1	1	1	1				
4	3	172458-74150	VALVE, REVERSE	1	1	1	1				
5	3	172458-74160	SPRING, VALVE	1	1	1	1				
6	3	172458-74170	CAP, SPRING	1	1	1	1				
7	3	172A64-74270	SPOOL ASSY, OPTION	1	1	1	1				
8	3	172458-74630	STAY, VALVE	1	1	1	1				
9	3	24311-000120	O-RING, 1AP12.0	1	1	1	1				
10	3	24315-000110	O-RING, 1BP11.0	2	2	2	2				
10-1	3	41851-000110	O-RING	1	1	1	1				N
		(A=*2008.03)	(B=*2008.03)	(C=*2008.03)	(D=*2008.03)						
11	3	26450-050102	BOLT, M5X 10	2	2	2	2				
12	3	26450-050182	BOLT, M5X 18	2	2	2	2				
13	2	172A64-74280	SECTION, SWING	1	1	1	1				
14	3	172447-74230	ANTI-CAVITATION	1	1	1	1				
15	3	172A64-74290	SECTION ASSY, SWING	1	1	1	1				
16	4	172458-74130	WIPER, DUST	1	1	1	1				
17	4	172458-74140	RETAINER, SEAL	1	1	1	1				
18	4	172458-74150	VALVE, REVERSE	1	1	1	1				
19	4	172458-74160	SPRING, VALVE	1	1	1	1				
20	4	172458-74170	CAP, SPRING	1	1	1	1				
21	4	172A64-74300	SPOOL ASSY, SWING	1	1	1	1				
22	4	172458-74630	STAY, VALVE	1	1	1	1				
23	4	24311-000120	O-RING, 1AP12.0	1	1	1	1				
24	4	24315-000110	O-RING, 1BP11.0	1	1	1	1				
24-1	4	41851-000110	O-RING	1	1	1	1				N
		(A=*2008.03)	(B=*2008.03)	(C=*2008.03)	(D=*2008.03)						
25	4	26450-050102	BOLT, M5X 10	2	2	2	2				
26	4	26450-050182	BOLT, M5X 18	2	2	2	2				
27	2	172458-74720	O-RING	2	2	2	2				
28	2	24311-000180	O-RING, 1AP18.0	2	2	2	2				

Remarks

\* Control valve assy is shown in Fig.52.

Fig.56. CONTROL VALVE(5/7)



(A)=VIO17(US)  
(B)=VIO17(AS)  
(C)=VIO17(NZ)

(D)=VIO17(SG)  
(E)=  
(F)=

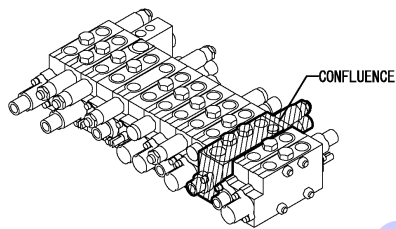
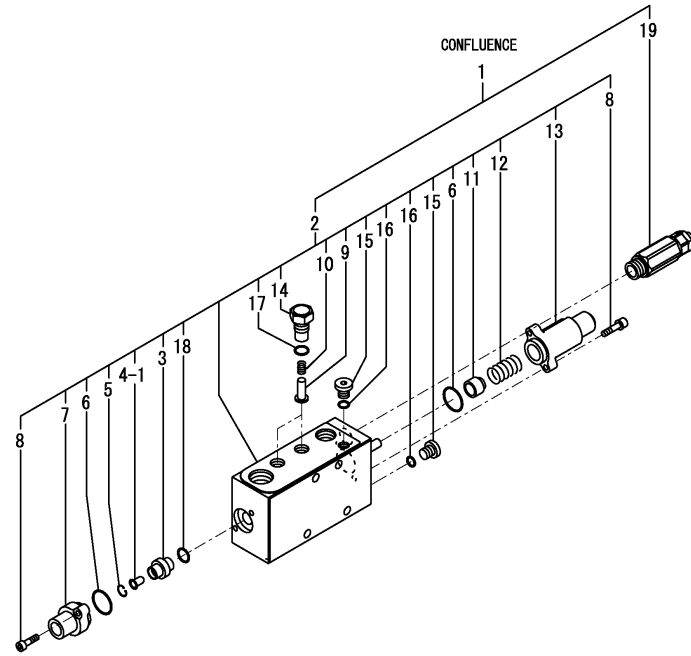
No.	Lev.	Parts No.	Description	Q'ty						I	R
				(A)	(B)	(C)	(D)	(E)	(F)		
1	2	172A64-74200	SECTION, PTO	1	1	1	1				
2	3	172A64-74210	SECTION ASSY, PTO	1	1	1	1				
3	4	172458-74130	WIPER, DUST	1	1	1	1				
4	4	172458-74140	RETAINER, SEAL	1	1	1	1				
5	4	172458-74170	CAP, SPRING	1	1	1	1				
6	4	172A64-74220	SPOOL ASSY, PTO	1	1	1	1				
7	4	172490-74310	VALVE, REVERSE	1	1	1	1				
8	4	172490-74320	SPRING, VALVE	1	1	1	1				
9	4	172490-74330	STAY, VALVE	1	1	1	1				
10	4	172458-74650	STAY, VALVE	2	2	2	2				
11	4	24311-000120	O-RING, 1AP12.0	1	1	1	1				
12	4	24315-000110	O-RING, 1BP11.0	1	1	1	1				
12-1	4	41851-000110	O-RING	1	1	1	1				N
		(A=*2008.03)	(B=*2008.03)	(C=*2008.03)	(D=*2008.03)						
13	4	24315-000140	O-RING, 1BP14.0	2	2	2	2				
13-1	4	41851-000140	O-RING	2	2	2	2				N
		(A=*2008.03)	(B=*2008.03)	(C=*2008.03)	(D=*2008.03)						
14	4	26450-050102	BOLT, M5X 10	2	2	2	2				
15	4	26450-050182	BOLT, M5X 18	2	2	2	2				
16	3	172456-74290	RELIEF VALVE PLUG	2	2	2	2				
17	2	172A64-74230	SECTION, ARM	1	1	1	1				
18	3	172447-74230	ANTI-CAVITATION	1	1	1	1				
19	3	172A64-74240	SECTION ASSY, ARM	1	1	1	1				
20	4	172458-74150	VALVE, REVERSE	1	1	1	1				
21	4	172458-74160	SPRING, VALVE	1	1	1	1				
22	4	172458-74230	O-RING	2	2	2	2				
23	4	172458-74240	COVER, PILOT	1	1	1	1				
24	4	172A64-74250	SPOOL ASSY, ARM	1	1	1	1				
25	4	172458-74250	COVER, PILOT	1	1	1	1				
26	4	172458-74260	BOLT	4	4	4	4				
27	4	172458-74630	STAY, VALVE	1	1	1	1				
28	4	24315-000110	O-RING, 1BP11.0	1	1	1	1				
28-1	4	41851-000110	O-RING	1	1	1	1				N
		(A=*2008.03)	(B=*2008.03)	(C=*2008.03)	(D=*2008.03)						
29	3	172462-74340	VALVE ASSY, OVERLOAD	1	1	1	1				
30	2	172458-74720	O-RING	2	2	2	2				
31	2	24311-000060	O-RING, 1AP6.0	1	1	1	1				
32	2	24311-000180	O-RING, 1AP18.0	1	1	1	1				

Remarks  
\* Control valve assy is shown in Fig.52.

Fig.57. CONTROL VALVE(6/7)

(A)=VIO17(US)  
(B)=VIO17(AS)  
(C)=VIO17(NZ)

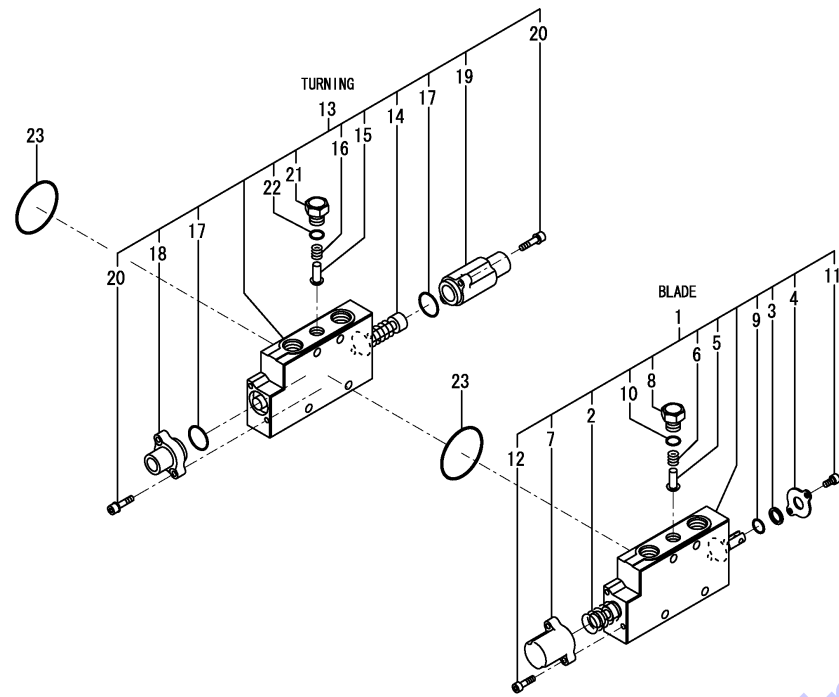
(D)=VIO17(SG)  
(E)=  
(F)=



No.	Lev.	Parts No.	Description	Q'ty						I	R
				(A)	(B)	(C)	(D)	(E)	(F)		
1	2	172A64-74150	SECTION ASSY	1	1	1	1				
2	3	172A64-74160	SECTION ASSY	1	1	1	1				
3	4	172A64-74170	CASE, FILTER	1	1	1	1				
4-1	4	172A47-74360	FILTER	1	1	1	1				
5	4	172A64-74190	CIRCLIP, 8	1	1	1	1				
6	4	172458-74230	O-RING	2	2	2	2				
7	4	172458-74240	COVER, PILOT	1	1	1	1				
8	4	172458-74260	BOLT	4	4	4	4				
9	4	172458-74290	VALVE, REVERSE	2	2	2	2				
10	4	172458-74360	SPRING, VALVE	2	2	2	2				
11	4	172458-74530	SEAT, SPRING	1	1	1	1				
12	4	172458-74540	SPRING, RETURN	1	1	1	1				
13	4	172458-74550	COVER, PILOT	1	1	1	1				
14	4	172458-74640	STAY, VALVE	2	2	2	2				
15	4	172458-74670	PLUG	2	2	2	2				
16	4	24315-000080	O-RING, 1BP8.0	2	2	2	2				
17	4	24315-000110	O-RING, 1BP11.0	2	2	2	2				
17-1	4	41851-000110	O-RING	2	2	2	2				N
18	4	24315-240100	O-RING, 1BP10A	1	1	1	1				
19	3	172A64-74490	VALVE, RELIEF	1	1	1	1				

Remarks  
\* Control valve assy is shown in Fig.52.

Fig.58. CONTROL VALVE(7/7)



(A)=VIO17(US)  
(B)=VIO17(AS)  
(C)=VIO17(NZ)

(D)=VIO17(SG)  
(E)=  
(F)=

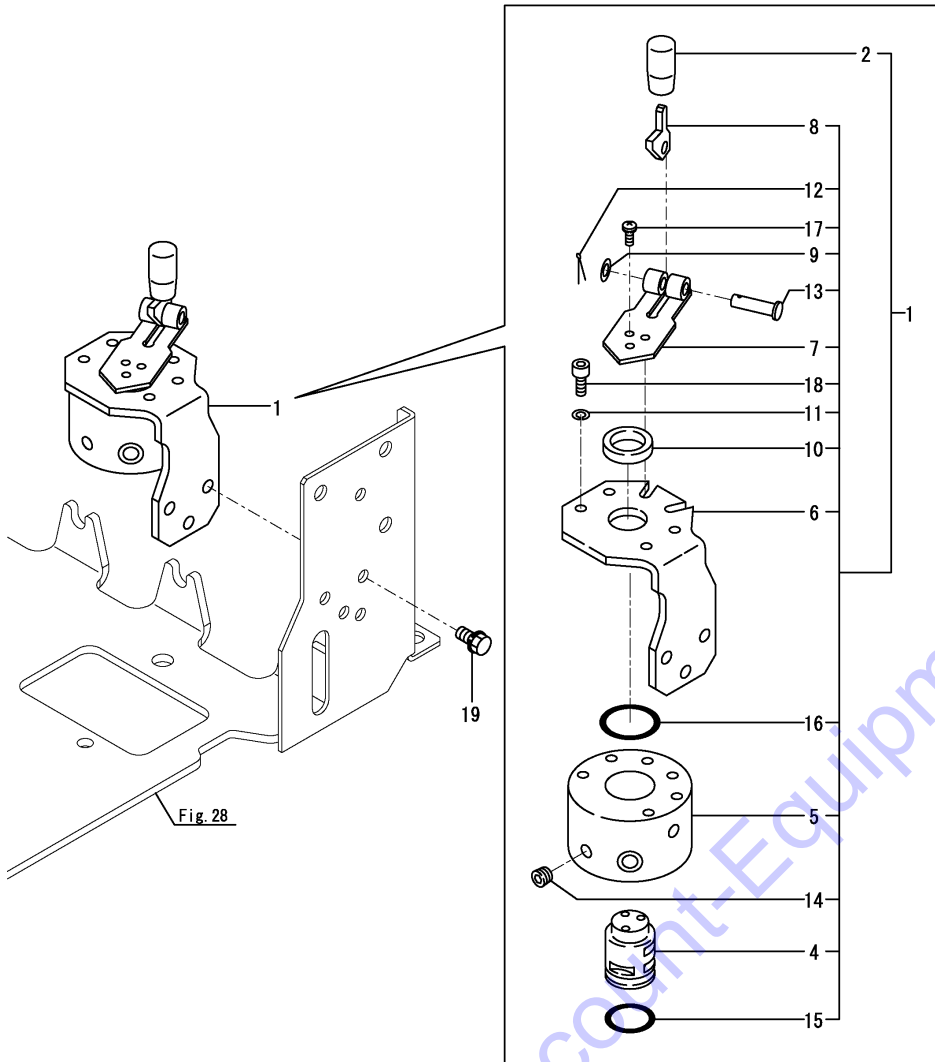
No.	Lev.	Parts No.	Description	Qty						I	R
				(A)	(B)	(C)	(D)	(E)	(F)		
1	2	172A64-74110	SECTION ASSY, BLADE	1	1	1	1				
2	3	172A64-74120	SPOOL ASSY, BLADE	1	1	1	1				
3	3	172458-74130	WIPER, DUST	1	1	1	1				
4	3	172458-74140	RETAINER, SEAL	1	1	1	1				
5	3	172458-74150	VALVE, REVERSE	1	1	1	1				
6	3	172458-74160	SPRING, VALVE	1	1	1	1				
7	3	172458-74170	CAP, SPRING	1	1	1	1				
8	3	172458-74630	STAY, VALVE	1	1	1	1				
9	3	24311-000120	O-RING, 1AP12.0	1	1	1	1				
10	3	24315-000110	O-RING, 1BP11.0	1	1	1	1				
10-1	3	41851-000110	O-RING	1	1	1	1				N
		(A=*2008.03)	(B=*2008.03)	(C=*2008.03)	(D=*2008.03)						
11	3	26450-050102	BOLT, M5X 10	2	2	2	2				
12	3	26450-050182	BOLT, M5X 18	2	2	2	2				
13	2	172A64-74130	SECTION ASSY	1	1	1	1				
14	3	172A64-74140	SPOOL ASSY, SWING	1	1	1	1				
15	3	172458-74150	VALVE, REVERSE	1	1	1	1				
16	3	172458-74160	SPRING, VALVE	1	1	1	1				
17	3	172458-74230	O-RING	2	2	2	2				
18	3	172458-74240	COVER, PILOT	1	1	1	1				
19	3	172458-74250	COVER, PILOT	1	1	1	1				
20	3	172458-74260	BOLT	4	4	4	4				
21	3	172458-74630	STAY, VALVE	1	1	1	1				
22	3	24315-000110	O-RING, 1BP11.0	1	1	1	1				
22-1	3	41851-000110	O-RING	1	1	1	1				N
		(A=*2008.03)	(B=*2008.03)	(C=*2008.03)	(D=*2008.03)						
23	2	172458-74720	O-RING	2	2	2	2				

Remarks  
\* Control valve assy is shown in Fig.52.

Fig.59. 2-WAY VALVE

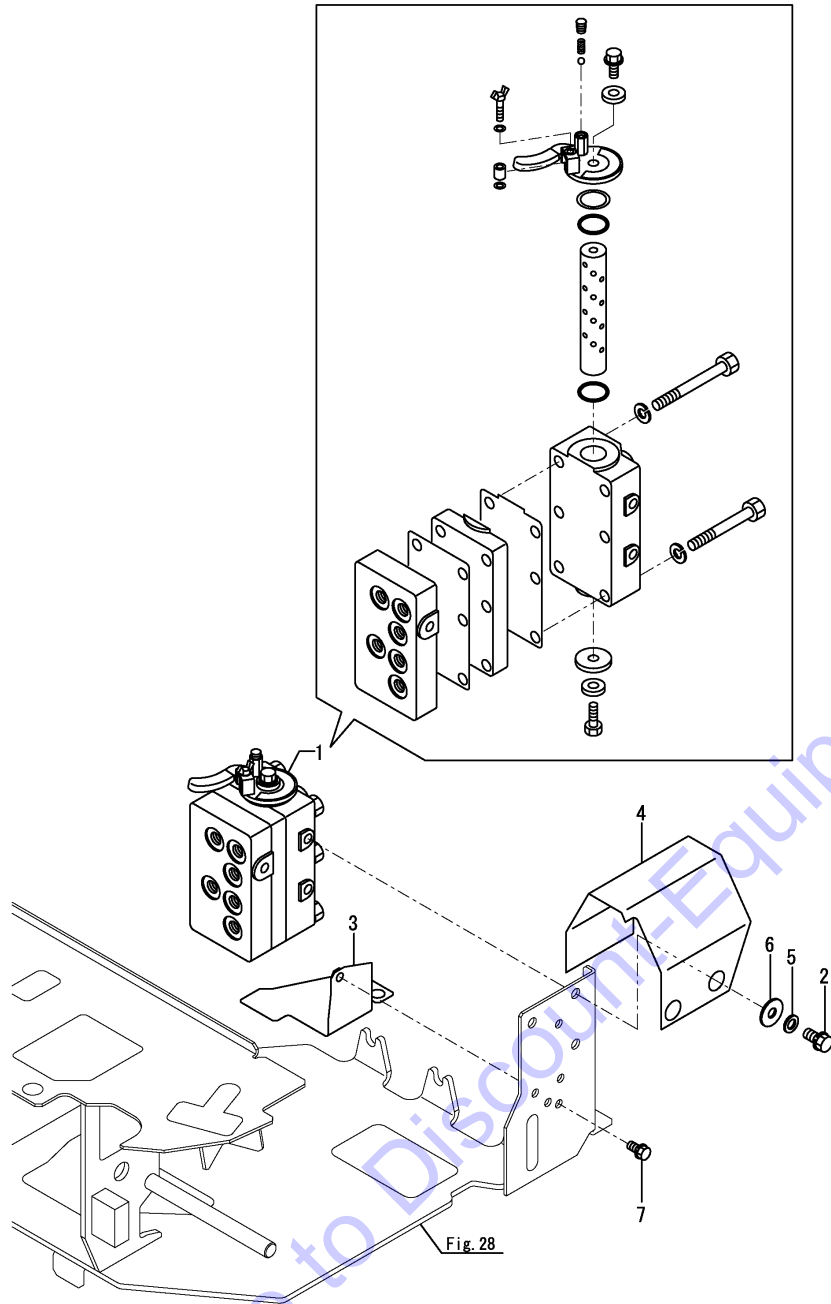
(A)=VIO17(US)  
 (B)=VIO17(AS)  
 (C)=VIO17(NZ)

(D)=VIO17(SG)  
 (E)=  
 (F)=



No.	Lev.	Parts No.	Description	Q'ty						I	R
				(A)	(B)	(C)	(D)	(E)	(F)		
1	1	172A36-74690	VALVE ASSY, 2-WAY	1	1	1					
2	2	172157-58830	NOB, 6.5X18X35	1	1	1					
4	3	172437-74711	SHAFT	1	1	1					
5	3	172437-74720	BLOCK, VALVE	1	1	1					
6	3	172437-74732	STAY ASSY	1	1	1					
7	3	172A36-74750	LEVER	1	1	1					
8	3	172A36-74780	PLATE, LOCK	1	1	1					
9	3	22117-080000	WASHER, 8	1	1	1					
10	3	22137-240000	WASHER, 24	1	1	1					
11	3	22217-060000	WASHER, SPRING 6	4	4	4					
12	3	22417-200160	PIN, COTTER 2.0X16	1	1	1					
13	3	22487-080300	PIN, H 8X 30	1	1	1					
14	3	23871-010000	PLUG, R01	4	4	4					
15	3	24311-000250	O-RING, 1AP25.0	1	1	1					
16	3	24311-000320	O-RING, 1AP32.0	1	1	1					
17	3	26022-050122	SCREW, M5X12	3	3	3					
18	3	26450-060162	BOLT, M6X 16	4	4	4					
19	1	26013-100202	BOLT, M10X 20	3	3	3					

Fig.86. (59A)4-WAY VALVE



(A)=VIO17(US)  
 (B)=VIO17(AS)  
 (C)=VIO17(NZ)

(D)=VIO17(SG)  
 (E)=  
 (F)=

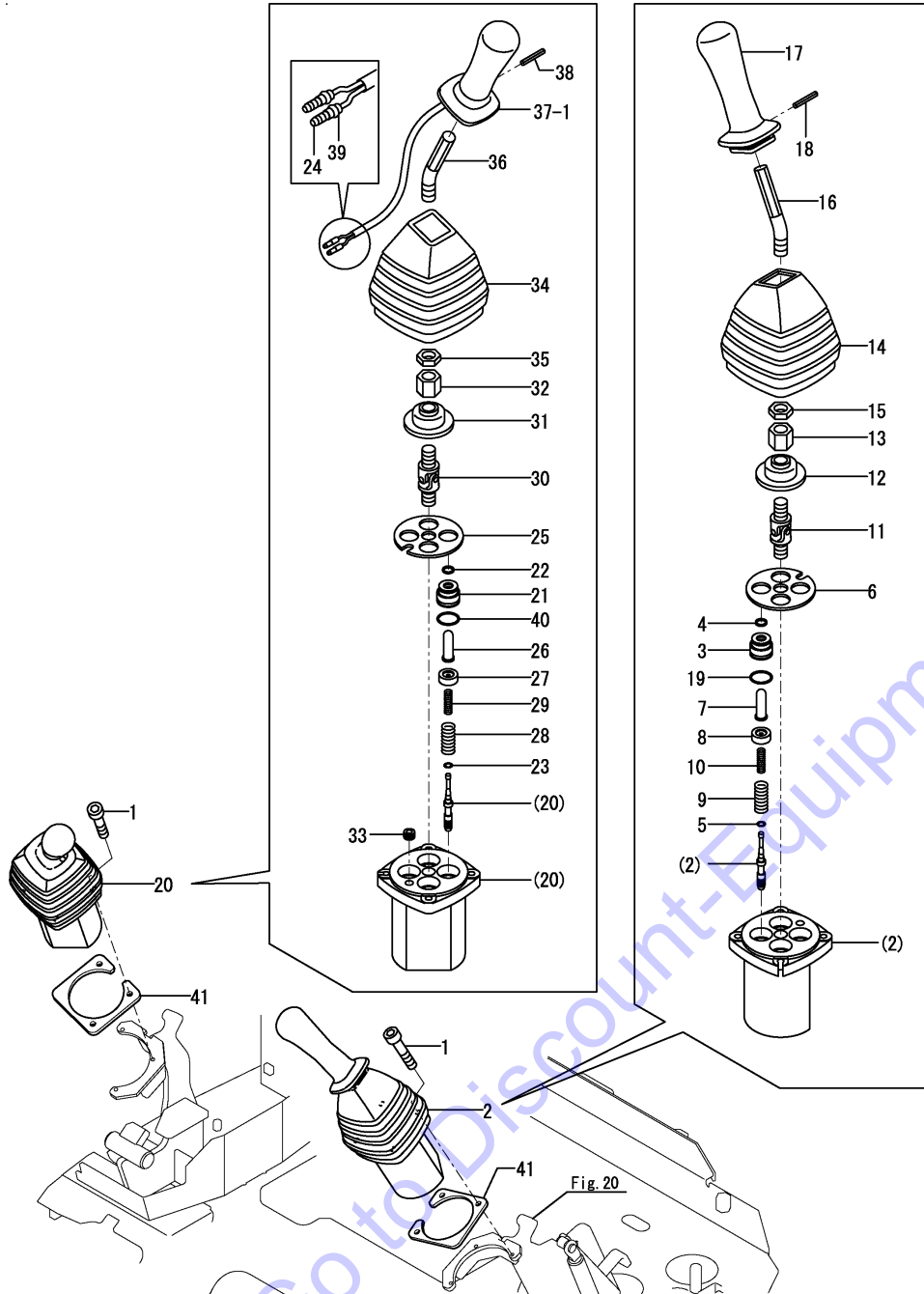
No.	Lev.	Parts No.	Description	Q'ty						I	R	
				(A)	(B)	(C)	(D)	(E)	(F)			
1	1	172480-74800	MULTI VALVE CMP				1					
2	1	26013-100202	BOLT, M10X 20				3					
3	1	172A64-74840	COVER A CMP,M				1					W
4	1	172A64-74860	COVER B,M				1					W
5	1	22117-100000	WASHER, 10				2					W
6	1	22157-100000	WASHER, 10				2					W
7	1	26013-080162	BOLT, M8X 16				1					W



Fig.60. REMOTE CONTROL VALVE

(A)=VIO17(US)  
(B)=VIO17(AS)  
(C)=VIO17(NZ)

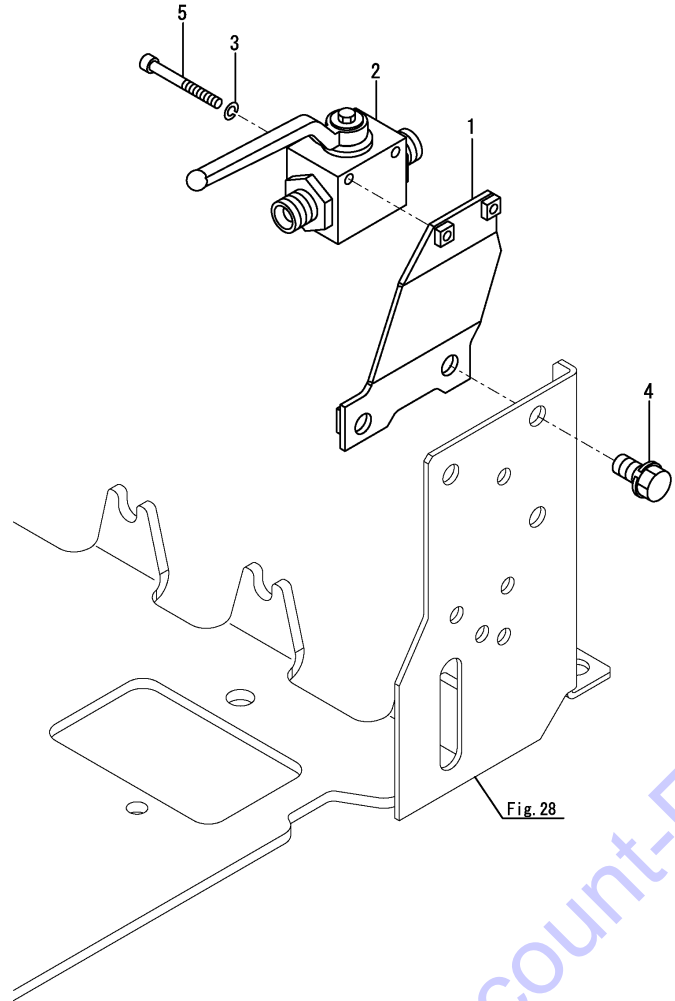
(D)=VIO17(SG)  
(E)=  
(F)=



No.	Lev.	Parts No.	Description	Q'ty						I	R
				(A)	(B)	(C)	(D)	(E)	(F)		
1	1	172458-46730	BOLT N6X30	6	6	6	6				
2	1	172A64-74310	VALVE ASSY, CONTROL	1	1	1	1				
3	2	172151-73400	PLUG	4	4	4	4				
4	2	172151-73420	SEAL	4	4	4	4				
5	2	172151-73450	WASHER	4	4	4	4				
6	2	172A64-74590	PLATE	1	1	1	1				
7	2	172A64-74600	ROD,PUSH	4	4	4	4				
8	2	172A64-74610	SEAT, SPRING	4	4	4	4				
9	2	172A64-74620	SPRING	4	4	4	4				
10	2	172A64-74630	SPRING	4	4	4	4				
11	2	172A64-74640	JOINT	1	1	1	1				
12	2	172A64-74650	PLATE	1	1	1	1				
13	2	172A64-74660	NUT	1	1	1	1				
14	2	172A64-74680	BELLOWS	1	1	1	1				
15	2	172A64-74900	NUT, LOCK	1	1	1	1				
16	2	172A64-74910	LEVER	1	1	1	1				
17	2	172A64-74920	KNOB	1	1	1	1				
18	2	172A64-74930	PIN,SPRING	1	1	1	1				
19	2	24315-000200	O-RING, 1BP20.0	4	4	4	4				
20	1	172A64-74320	VALVE ASSY, CONTROL	1	1	1	1				
21	2	172151-73400	PLUG	4	4	4	4				
22	2	172151-73420	SEAL	4	4	4	4				
23	2	172151-73450	WASHER	4	4	4	4				
24	2	172151-73610	TERMINAL	2	2	2	2				
25	2	172A64-74590	PLATE	1	1	1	1				
26	2	172A64-74600	ROD,PUSH	4	4	4	4				
27	2	172A64-74610	SEAT, SPRING	4	4	4	4				
28	2	172A64-74620	SPRING	4	4	4	4				
29	2	172A64-74630	SPRING	4	4	4	4				
30	2	172A64-74640	JOINT	1	1	1	1				
31	2	172A64-74650	PLATE	1	1	1	1				
32	2	172A64-74660	NUT	1	1	1	1				
33	2	172A64-74670	BUSH	1	1	1	1				
34	2	172A64-74680	BELLOWS	1	1	1	1				
35	2	172A64-74900	NUT, LOCK	1	1	1	1				
36	2	172A64-74910	LEVER	1	1	1	1				
37-1	2	172A64-74950	KNOB	1	1	1	1				
38	2	172A64-74930	PIN,SPRING	1	1	1	1				
39	2	172A64-74940	SLEEVE, INSULATION	2	2	2	2				
40	2	24315-000200	O-RING, 1BP20.0	4	4	4	4				
41	1	172A78-74650	PLATE ASSY,VALVE	2	2	2	2				W

(A)=M/#01400 (B)=M/#01400 (C)=M/#01400 (D)=M/#01400

Fig.61. STOP VALVE



(A)=VIO17(US)  
 (B)=VIO17(AS)  
 (C)=VIO17(NZ)

(D)=VIO17(SG)  
 (E)=  
 (F)=

No.	Lev.	Parts No.	Description	Q'ty						I	R
				(A)	(B)	(C)	(D)	(E)	(F)		
1	1	172A64-45600	STAY ASSY, VALVE	1	1	1					
2	1	172A64-74800	STOP VALVE 06 ASSY	1	1	1					
3	1	22217-050000	WASHER, SPRING 5	2	2	2					
4	1	26013-100202	BOLT, M10X 20	2	2	2					
5	1	26450-050452	BOLT, M5X 45	2	2	2					

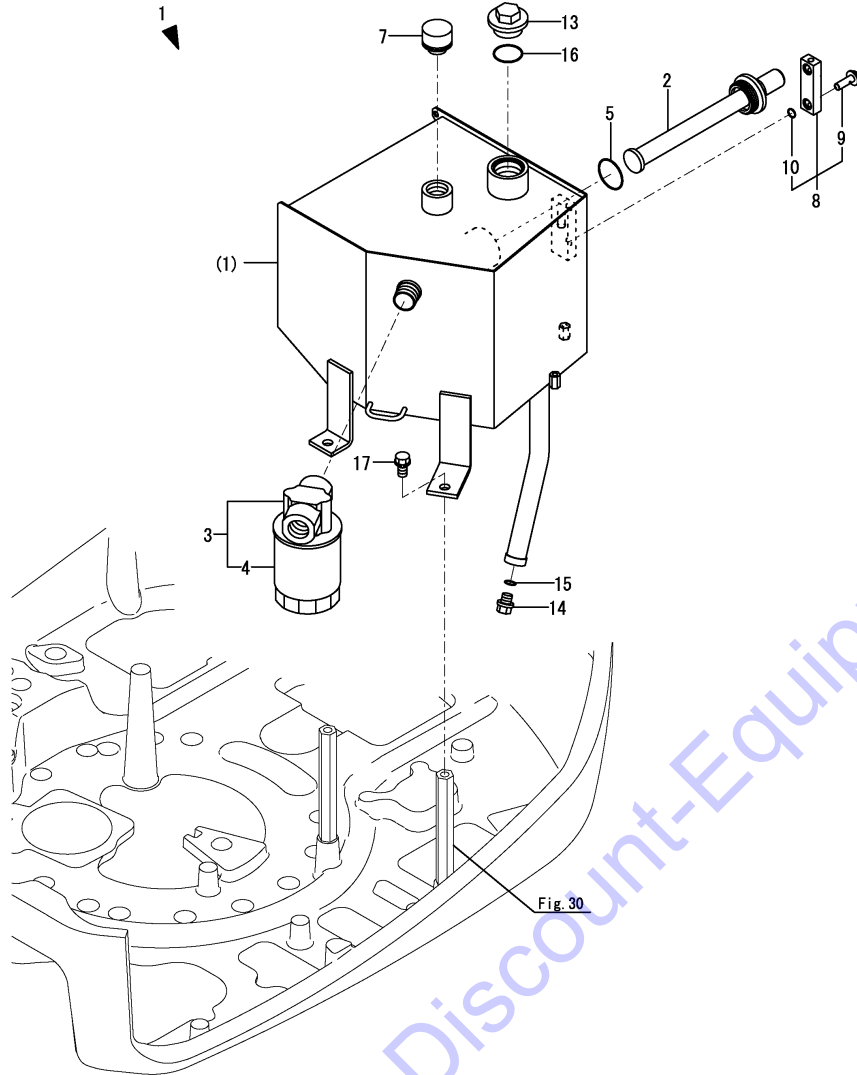
Go to Discount-Equipment.com to order your parts

Fig.62. HYD. OIL TANK

(A)=VIO17(US)  
(B)=VIO17(AS)  
(C)=VIO17(NZ)

(D)=VIO17(SG)  
(E)=  
(F)=

1 INC. 2~16 & Fig. 69 No. 1~3, 5~7.

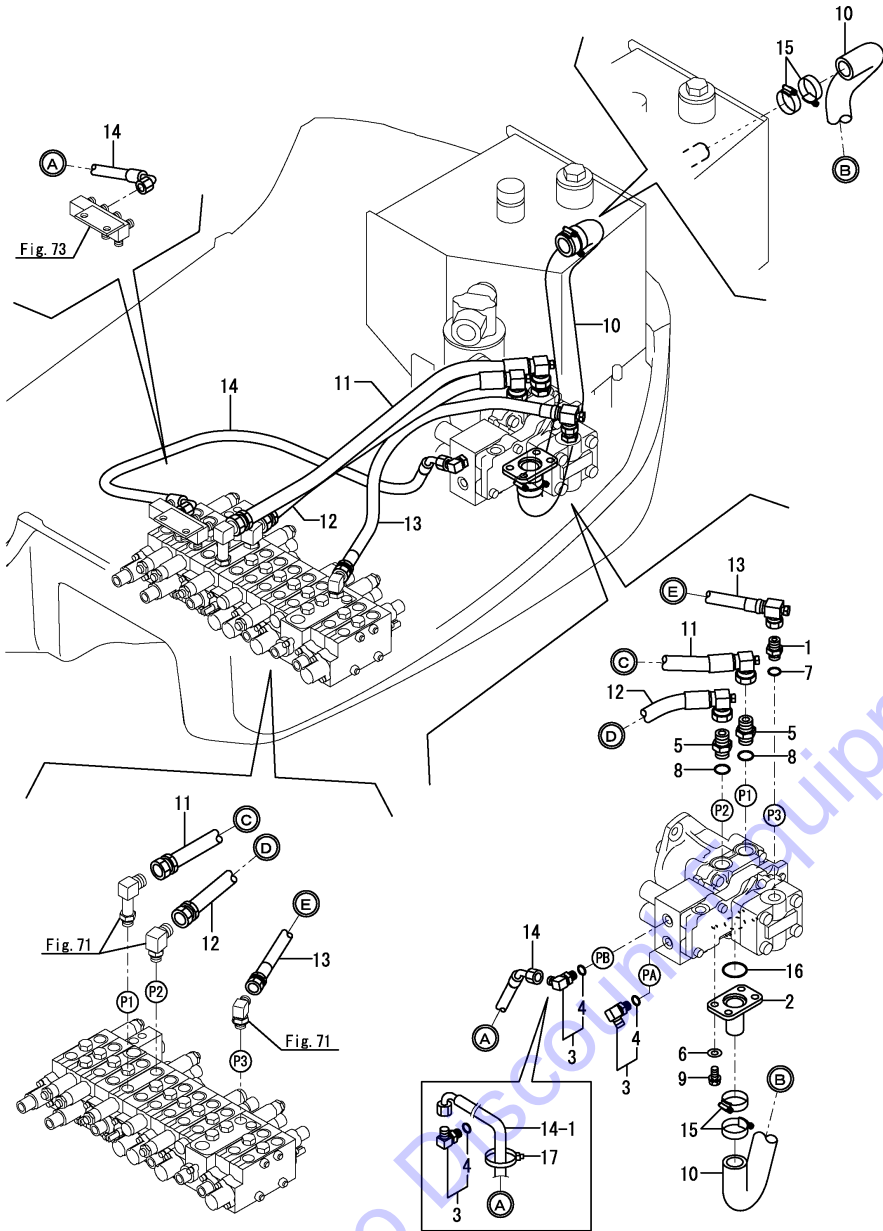


No.	Lev.	Parts No.	Description	Q'ty						I	R	
				(A)	(B)	(C)	(D)	(E)	(F)			
1	1	172A64-08350 (A=M00501) (B=M00501) (C=M00501) (D=M00501)	TANK KIT, RESERVOIR	1	1	1	1				W	1
2	2	172A64-73700	STRAINER	1	1	1	1					
3	2	172A64-73770	FILTER ASSY, RETURN	1	1	1	1					
4	3	172A64-73780	ELEMENT ASSY, FILTER	1	1	1	1					
5	2	24315-000440	O-RING 1B P-44.0	1	1	1	1					
7	2	172446-75250	CAP, RESERVER	1	1	1	1					
8	2	172447-75600	GAUGE ASSY	1	1	1	1					
9	3	172455-75290	BOLT	2	2	2	2					
10	3	172455-75300	O-RING	4	4	4	4					
13	2	172116-75850-B	PLUG, OIL FEED	1	1	1	1					
14	2	23491-140002	PLUG, 14	1	1	1	1					
15	2	24311-000160	O-RING, 1AP16.0	1	1	1	1					
16	2	24311-000380	O-RING, 1AP38.0	1	1	1	1					
17	1	26013-120252	BOLT, M12X 25	3	3	3	3					
18A	1	172437-03322	LABEL, RESEVOIR	1	1	1	1					2

Remarks

- (1) Attach the No.18A label to this part.
- (2) Label is not illustrated.

Fig.63. TANK - PUMP - CONTROL VALVE(TO M09713)



(A)=VIO17(US)  
(B)=VIO17(AS)  
(C)=VIO17(NZ)

(D)=VIO17(SG)  
(E)=  
(F)=

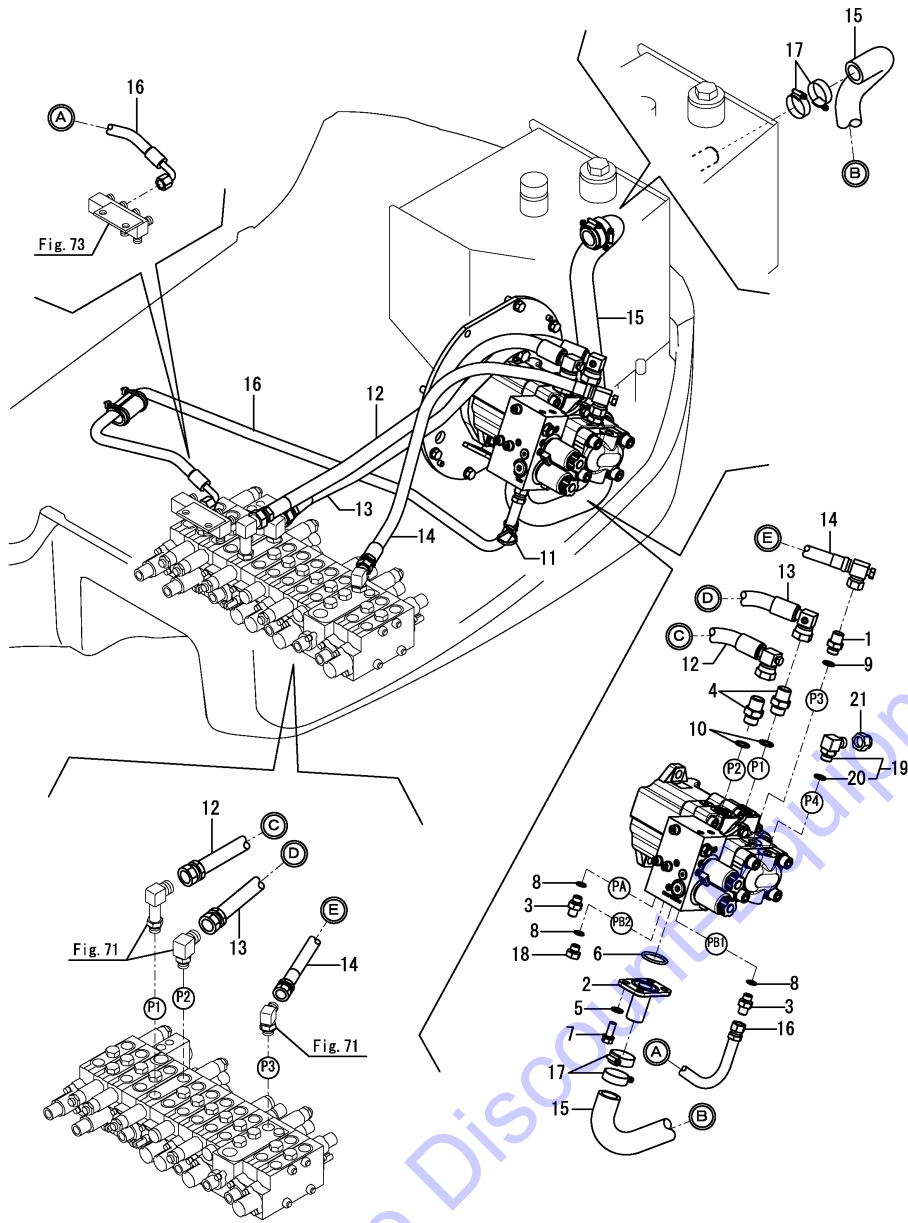
No.	Lev.	Parts No.	Description	Q'ty						I	R
				(A)	(B)	(C)	(D)	(E)	(F)		
1	1	172730-75141	ADAPTER	1	1	1	1				
2	1	172124-76100	FLANGE,PUMP INLET	1	1	1	1				
3	1	172141-76180	CONNECTOR ASSY	2	2	2	2				
3-1	1	172141-76181	CONNECTOR ASSY, 02FF	2	2	2	2				N
		(A=M00805) (B=M00805) (C=M00805) (D=M00805)									
4	2	24315-000110	O-RING, 1BP11.0	2	2	2	2				
4-1	2	41851-000110	O-RING	2	2	2	2				N
		(A=M00805) (B=M00805) (C=M00805) (D=M00805)									
5	1	172112-77361	CONNECTOR	2	2	2	2				
6	1	22117-100000	WASHER, 10	4	4	4	4				
7	1	24315-000140	O-RING, 1BP14.0	1	1	1	1				
7-1	1	41851-000140	O-RING	1	1	1	1				N
		(A=M01769) (B=M01769) (C=M01769) (D=M01769)									
8	1	24315-000180	O-RING, 1BP18.0	2	2	2	2				
8-1	1	41851-000180	O-RING	2	2	2	2				N
		(A=M01769) (B=M01769) (C=M01769) (D=M01769)									
9	1	26013-100252	BOLT, M10X 25	4	4	4	4				
10	1	172A64-78101	HOSE NA, SUCTION	1	1	1	1				
11	1	172A64-78120	HOSE	1	1	1	1				
12	1	172A64-78130	HOSE	1	1	1	1				
13	1	172A64-78140	HOSE	1	1	1	1				
14	1	172A64-78620	HOSE	1	1	1	1				
14-1	1	172A64-78621	HOSE H504CC135S	1	1	1	1				N
		(A=M00697) (B=M00697) (C=M00697) (D=M00697)									
15	1	23001-041000	CLAMP, HOSE 41	4	4	4	4				
16	1	24321-000350	O-RING, 1AG35.0	1	1	1	1				
16-1	1	24311-000350	O-RING, 1AP35.0	1	1	1	1				N
		(A=M02352) (B=M02352) (C=M02352) (D=M02352)									
17	1	172137-16560	BAND	1	1	1	1				W
		(A=M00679) (B=M00679) (C=M00679) (D=M00679)									

Remarks

\* Fitting(control valve) is shown in Fig.71.

N:Old  $\xrightarrow{\text{Yes}}$  New, Q:Old  $\xrightarrow{\text{No}}$  New, R:Old  $\xrightarrow{\text{Yes}}$  New, S:Old  $\xrightarrow{\text{No}}$  New, W:Add, Z:Discontinued, F:Interchangeable by set, K:Q'ty Change

Fig.91. (63A)TANK - PUMP - CONTROL VALVE(F SPEC.)(FROM M09714)



(A)=VIO17(US)  
(B)=VIO17(AS)  
(C)=VIO17(NZ)

(D)=VIO17(SG)  
(E)=  
(F)=

No.	Lev.	Parts No.	Description	Q'ty						I	R
				(A)	(B)	(C)	(D)	(E)	(F)		
1	1	172730-75141	ADAPTER, M/M C	1	1	1	1				
2	1	172124-76100	FLANGE, PUMP INLET	1	1	1	1				
3	1	172123-76121	ADAPTER, M/M PF1/4	2	2	2	2				
4	1	172112-77361	CONNECTOR, PF1/2-1/2	2	2	2	2				
5	1	22117-100000	WASHER, 10	4	4	4	4				
6	1	24311-000350	O-RING, 1AP35.0	1	1	1	1				
7	1	26013-100252	BOLT, M10X 25	4	4	4	4				
8	1	41851-000110	O-RING, P11.0 HNBR	3	3	3	3				
9	1	41851-000140	O-RING, P 14.0 HNBR	1	1	1	1				
10	1	41851-000180	O-RING, P 18.0 HNBR	2	2	2	2				
11	1	172137-16560	BAND, BINDING W	1	1	1	1				Z
		(A=*2014.02.) (B=*2014.02.) (C=*2014.02.) (D=*2014.02.)									
12	1	172A64-78020	HOSE, H208BZ063S	1	1	1	1				
13	1	172A64-78030	HOSE, H208BZ063S	1	1	1	1				
14	1	172A64-78040	HOSE, H206BZ064S	1	1	1	1				
15	1	172A64-78110	HOSE, SUCTION	1	1	1	1				
16	1	172A64-78660	HOSE, H504BC117S	1	1	1	1				
17	1	23001-041000	CLAMP, HOSE 41	4	4	4	4				
18	1	172165-76590	PLUG, HEXAGON	1	1	1	1				
19	1	172141-76920	CONNECTOR ASSY	1	1	1	1				W
		(A=*2014.07.) (B=*2014.07.) (C=*2014.07.) (D=*2014.07.)									
20	2	24315-000140	O-RING, 1BP14.0	1	1	1	1				W
		(A=*2014.07.) (B=*2014.07.) (C=*2014.07.) (D=*2014.07.)									
21	1	1E3030-78370	CAP, SCREW	1	1	1	1				W
		(A=*2014.07.) (B=*2014.07.) (C=*2014.07.) (D=*2014.07.)									

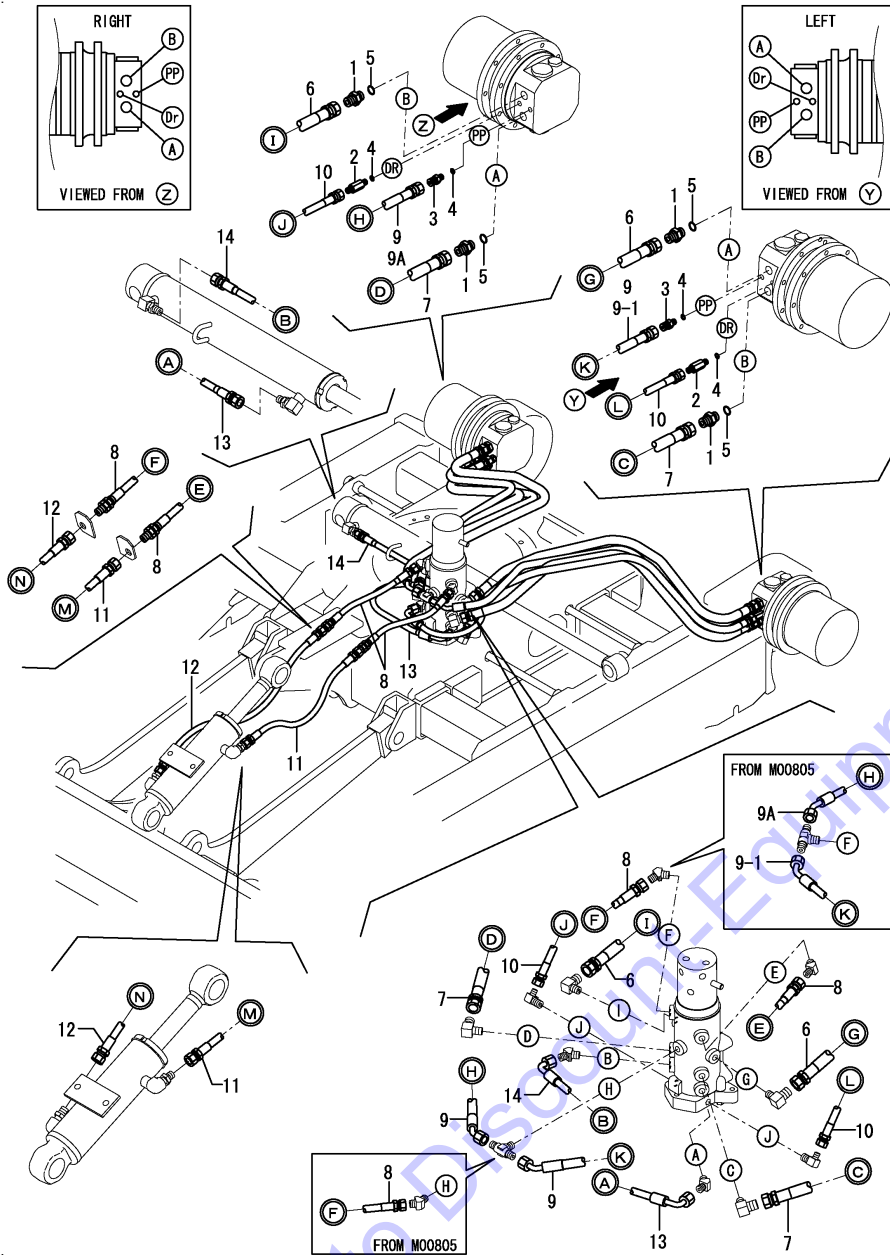
Remarks

\* Fitting(control valve) is shown in Fig.71.

Fig.64. TRAVEL FRAME

(A)=VIO17(US)  
(B)=VIO17(AS)  
(C)=VIO17(NZ)

(D)=VIO17(SG)  
(E)=  
(F)=



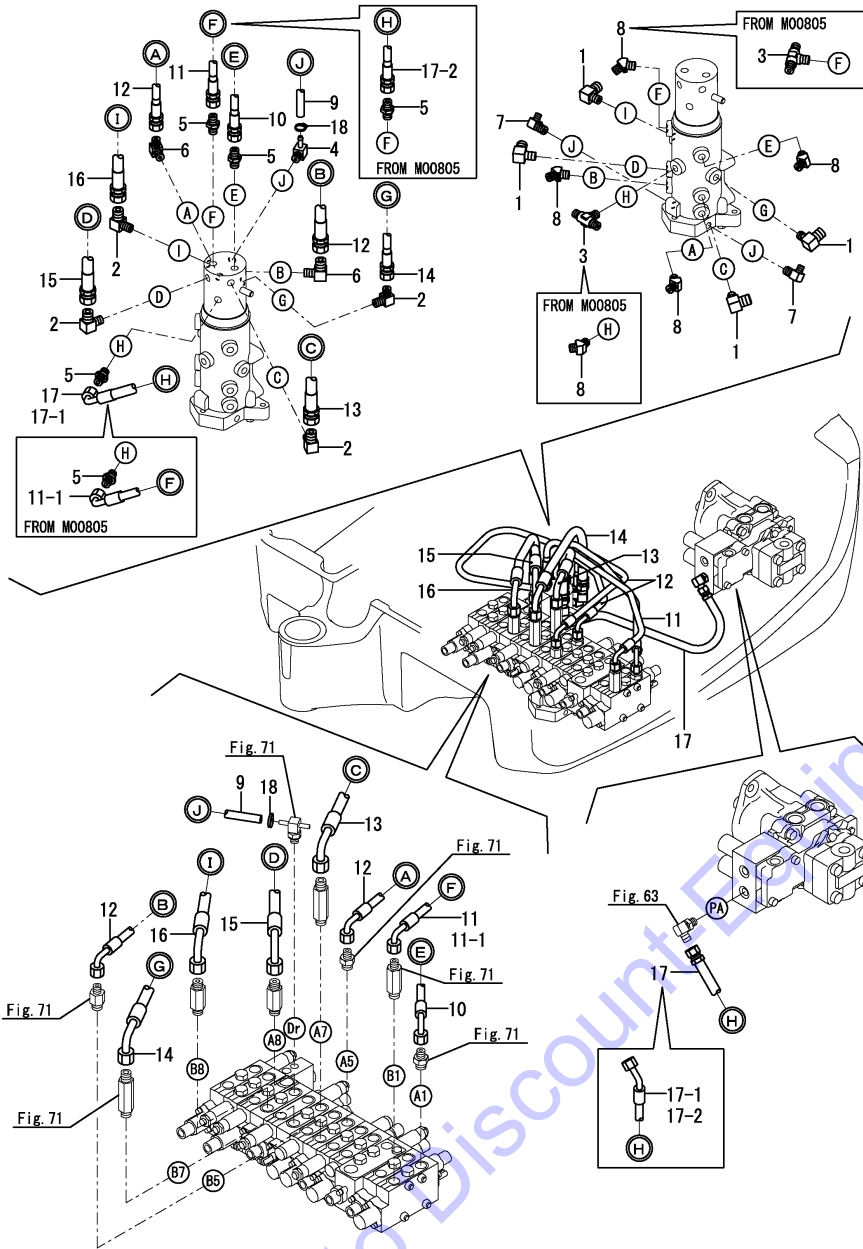
No.	Lev.	Parts No.	Description	Q'ty						I	R
				(A)	(B)	(C)	(D)	(E)	(F)		
1	1	172730-75141	ADAPTER	4	4	4	4				
2	1	172A64-76101	JOINT, G1/8-G1/8	2	2	2	2				
3	1	172447-76210	JOINT, G1/8-G1/4	2	2	2	2				
4	1	24315-000080	O-RING, 1BP8.0	4	4	4	4				
5	1	24315-000140	O-RING, 1BP14.0	4	4	4	4				
5-1	1	41851-000140	O-RING	4	4	4	4				N
		(A=*2008.03)	(B=*2008.03)	(C=*2008.03)	(D=*2008.03)						
6	1	172A64-78441	HOSE	2	2	2	2				
7	1	172A64-78451	HOSE	2	2	2	2				
8	1	172A64-78470	HOSE	2	2	2	2				
9	1	172A64-78481	HOSE	2	2	2	2				
9-1	1	172A64-78482	HOSE	1	1	1	1				S
		(A=M00805)	(B=M00805)	(C=M00805)	(D=M00805)						
9A	1	172A64-78460	HOSE	1	1	1	1				W
		(A=M00805)	(B=M00805)	(C=M00805)	(D=M00805)						
10	1	172A64-78492	HOSE	2	2	2	2				
11	1	172A64-78501	HOSE	1	1	1	1				
12	1	172A64-78511	HOSE	1	1	1	1				
13	1	172A64-78520	HOSE	1	1	1	1				
14	1	172A64-78530	HOSE	1	1	1	1				

Remarks

\* Fitting(swivel joint) is shown in Fig.65.

N:Old  $\xrightarrow{\text{Yes}}$  New, Q:Old  $\xrightarrow{\text{No}}$  New, R:Old  $\xrightarrow{\text{Yes}}$  New, S:Old  $\xrightarrow{\text{No}}$  New, W:Add, Z:Discontinued, F:Interchangeable by set, K:Q'ty Change

Fig.65. CONTROL VALVE - SWIVEL JOINT

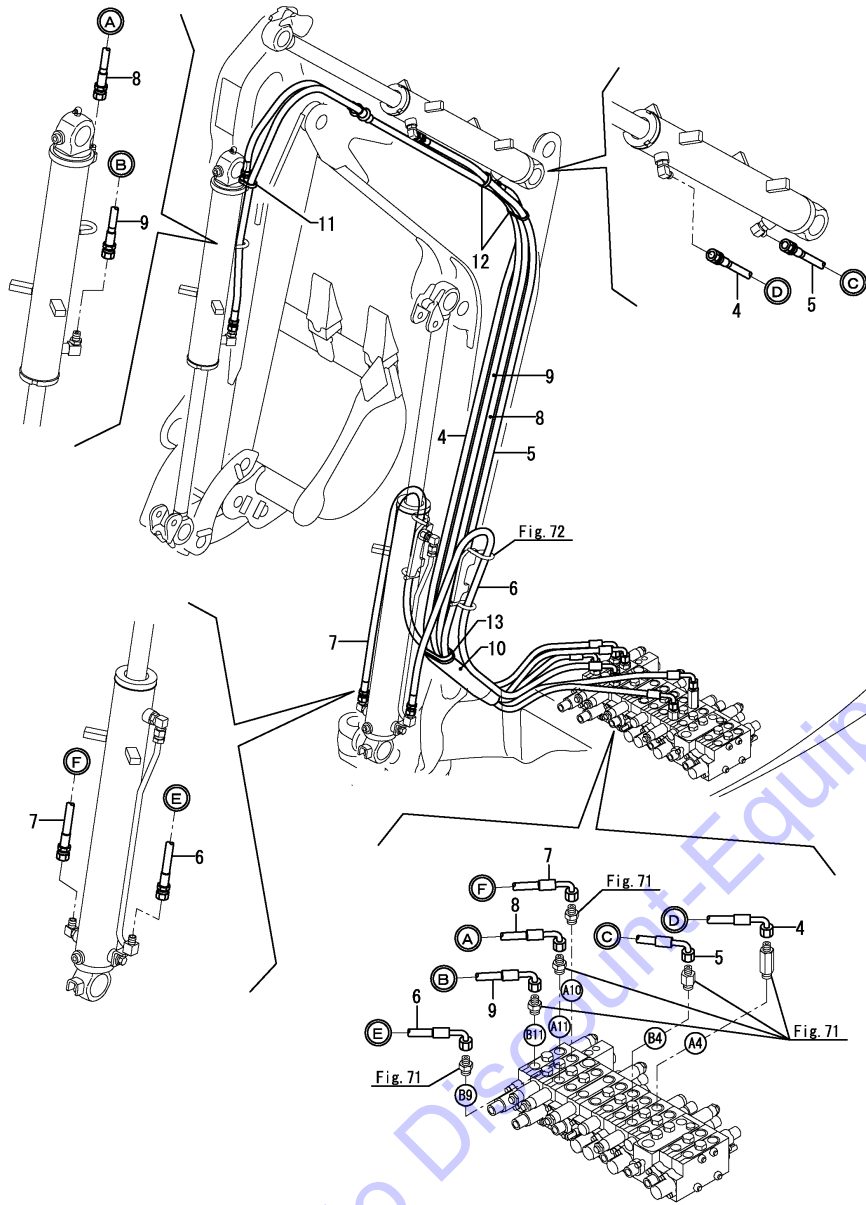


(A)=VIO17(US)  
 (B)=VIO17(AS)  
 (C)=VIO17(NZ)  
 (D)=VIO17(SG)  
 (E)=  
 (F)=

No.	Lev.	Parts No.	Description	Q'ty						I	R
				(A)	(B)	(C)	(D)	(E)	(F)		
1	1	172147-76180	ELBOW	4	4	4	4				
2	1	172147-76180	ELBOW	4	4	4	4				
3	1	172162-76320	CONNECTOR, 3X1/4	1	1	1	1				
4	1	172186-76390	NIPPLE, ELBOW	1	1	1	1				
5	1	23391-020000	JOINT, RGI-1/4	3	3	3	3				
6	1	23393-020000	JOINT, 90RGI-1/4	2	2	2	2				
7	1	23393-020000	JOINT, 90RGI-1/4	2	2	2	2				
8	1	23394-020000	JOINT, 45RGI-1/4	4	4	4	4				
9	1	172A64-78211	HOSE	1	1	1	1				
9-1	1	172A64-78212	HOSE G804YY055C	1	1	1	1			N	
		(A=M/# 00865) (B=M/# 00865) (C=M/# 00865) (D=M/# 00865)									
10	1	172A64-78250	HOSE	1	1	1	1				
11	1	172A64-78260	HOSE	1	1	1	1				
11-1	1	172A64-78261	HOSE	1	1	1	1			S	
		(A=M00805) (B=M00805) (C=M00805) (D=M00805)									
12	1	172A64-78310	HOSE	2	2	2	2				
13	1	172A64-78350	HOSE	1	1	1	1				
14	1	172A64-78360	HOSE	1	1	1	1				
15	1	172A64-78371	HOSE	1	1	1	1				
16	1	172A64-78380	HOSE	1	1	1	1				
17	1	172A64-78610	HOSE	1	1	1	1				
17-1	1	172A64-78611	HOSE H504CE052	1	1	1	1			S	
		(A=M00697) (B=M00697) (C=M00697) (D=M00697)									
17-2	1	172A64-78612	HOSE	1	1	1	1			S	
		(A=M00805) (B=M00805) (C=M00805) (D=M00805)									
18	1	23000-013000	CLAMP, 13	2	2	2	2				

Remarks  
 \* Fitting(control valve) is shown in Fig.71.

Fig.66. CONTROL VALVE - BOOM



(A)=VIO17(US)  
 (B)=VIO17(AS)  
 (C)=VIO17(NZ)

(D)=VIO17(SG)  
 (E)=  
 (F)=

No.	Lev.	Parts No.	Description	Q'ty						I	R
				(A)	(B)	(C)	(D)	(E)	(F)		
4	1	172A64-78291	HOSE	1	1	1	1				
5	1	172A64-78301	HOSE	1	1	1	1				
6	1	172A64-78391	HOSE	1	1	1	1				
7	1	172A64-78401	HOSE	1	1	1	1				
8	1	172A64-78411	HOSE	1	1	1	1				
9	1	172A64-78421	HOSE	1	1	1	1				
10	1	172A64-78910	COVER, HOSE	1	1	1	1				
11	1	172122-79920	CLIP, HOSE	1	1	1	1				
12	1	194202-56460	BAND, 200	2	2	2	2				
13	1	172126-11510	BAND	1	1	1	1				

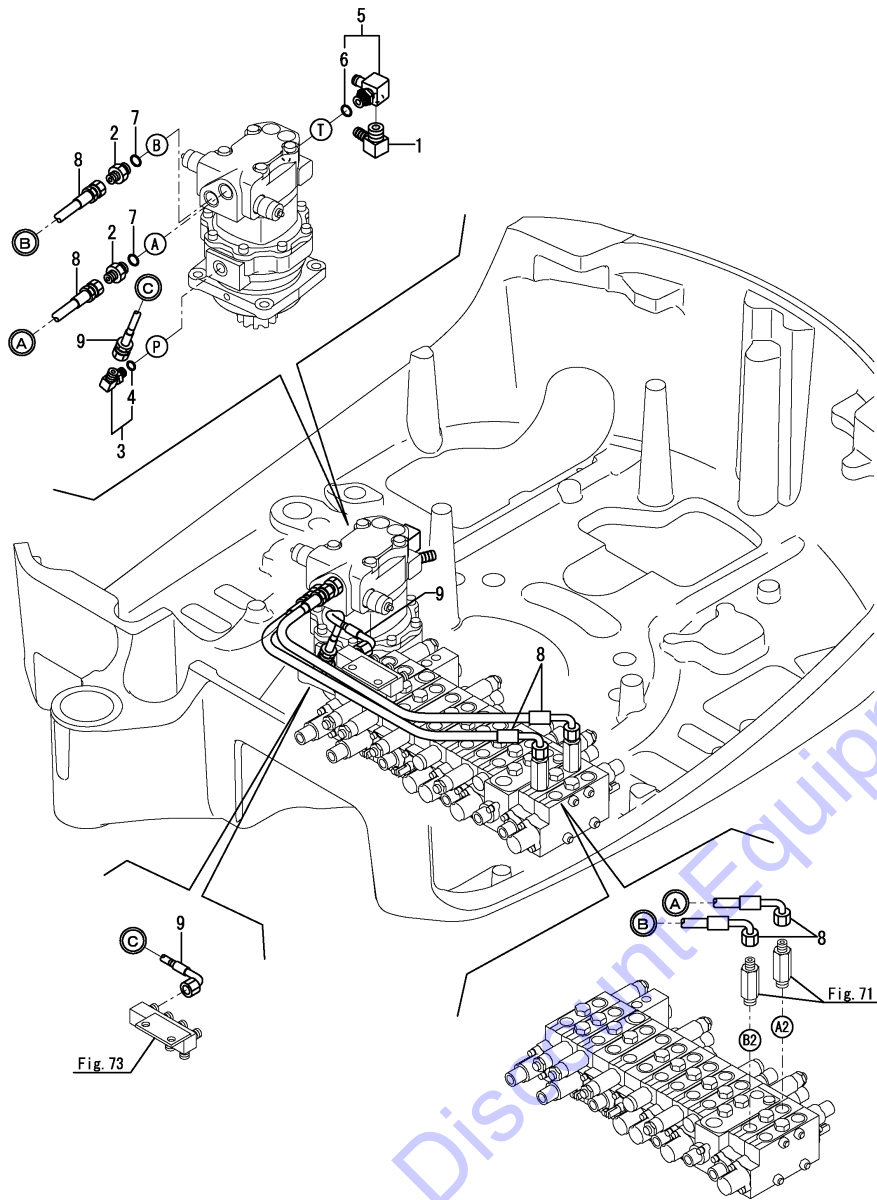
Remarks

\* Fitting(control valve) is shown in Fig.71.

N:Old  $\xrightarrow{\text{Yes}}$  New, Q:Old  $\xrightarrow{\text{No}}$  New, R:Old  $\xrightarrow{\text{Yes}}$  New, S:Old  $\xrightarrow{\text{No}}$  New, W:Add, Z:Discontinued, F:Interchangeable by set, K:Q'ty Change



Fig.67. CONTROL VALVE - TURNING MOTOR



(A)=VIO17(US)  
(B)=VIO17(AS)  
(C)=VIO17(NZ)

(D)=VIO17(SG)  
(E)=  
(F)=

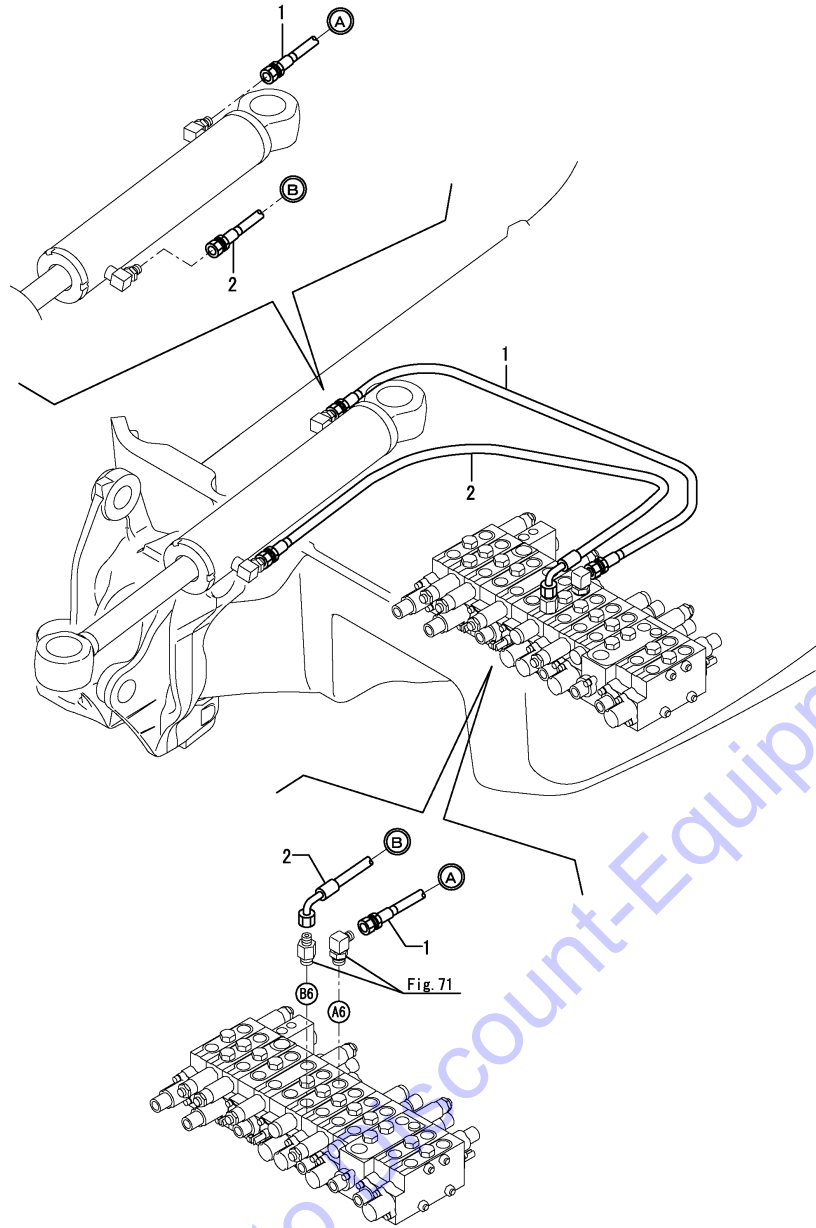
No.	Lev.	Parts No.	Description	Q'ty						I	R
				(A)	(B)	(C)	(D)	(E)	(F)		
1	1	172131-76130	NIPPLE, ELBOW	1	1	1	1				
2	1	172124-76160	CONNECTOR	2	2	2	2				
3	1	172141-76180	CONNECTOR ASSY	1	1	1	1				
3-1	1	172141-76181	CONNECTOR ASSY, 02FF	1	1	1	1				N
		(A=*2007.12) (B=*2007.12) (C=*2007.12) (D=*2007.12)									
4	2	24315-000110	O-RING, 1BP11.0	1	1	1	1				
4-1	2	41851-000110	O-RING	1	1	1	1				N
		(A=*2007.12) (B=*2007.12) (C=*2007.12) (D=*2007.12)									
5	1	172487-76200	ELBOW	1	1	1	1				
6	2	24315-000140	O-RING, 1BP14.0	1	1	1	1				
7	1	24315-000140	O-RING, 1BP14.0	2	2	2	2				
7-1	1	41851-000140	O-RING	2	2	2	2				N
		(A=*2008.03) (B=*2008.03) (C=*2008.03) (D=*2008.03)									
8	1	172A64-78270	HOSE	2	2	2	2				
9	1	172A64-78651	HOSE	1	1	1	1				

Remarks  
\* Fitting(control valve) is shown in Fig.71.

Fig.68. CONTROL VALVE - SWING CYLINDER

(A)=VIO17(US)  
 (B)=VIO17(AS)  
 (C)=VIO17(NZ)

(D)=VIO17(SG)  
 (E)=  
 (F)=



No.	Lev.	Parts No.	Description	Q'ty						I	R
				(A)	(B)	(C)	(D)	(E)	(F)		
1	1	172A64-78330	HOSE	1	1	1	1				
2	1	172A64-78340	HOSE	1	1	1	1				

Remarks

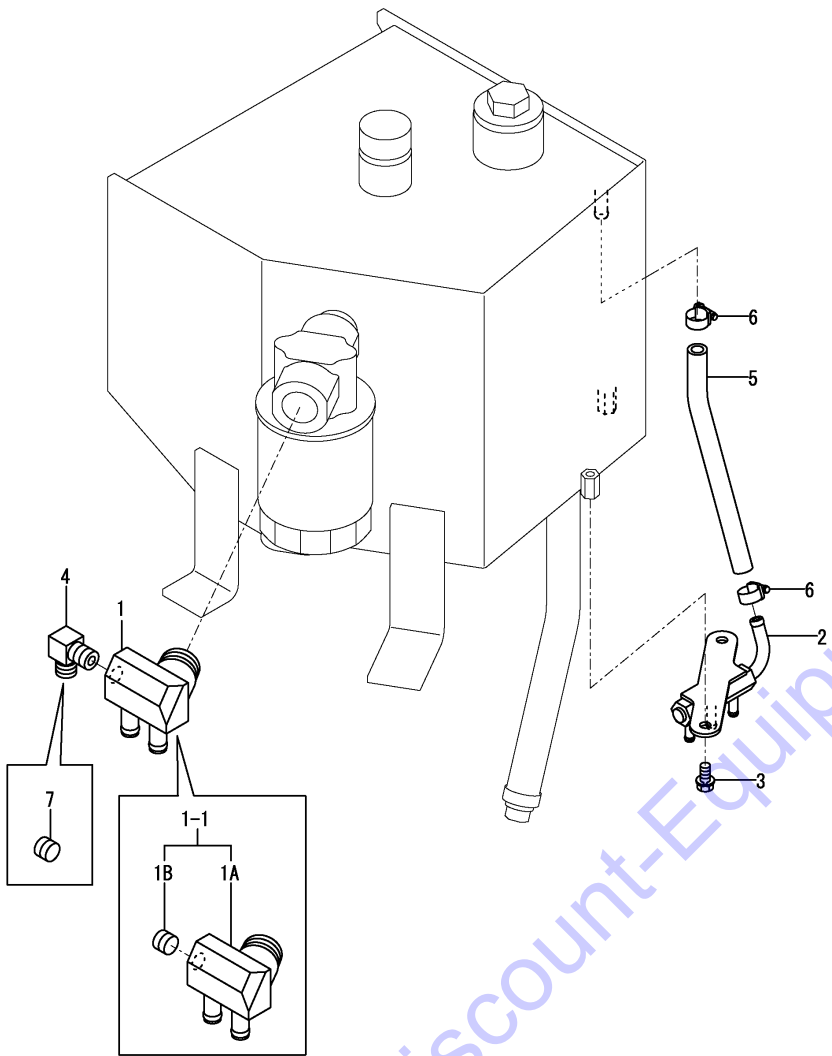
\* Fitting(control valve) is shown in Fig.71.

N:Old  $\xrightarrow{\text{Yes}}$  New, Q:Old  $\xrightarrow{\text{No}}$  New, R:Old  $\xrightarrow{\text{Yes}}$  New, S:Old  $\xrightarrow{\text{No}}$  New, W:Add, Z:Discontinued, F:Interchangeable by set, K:Q'ty Change

Fig.69. RESERVOIR

(A)=VIO17(US)  
 (B)=VIO17(AS)  
 (C)=VIO17(NZ)

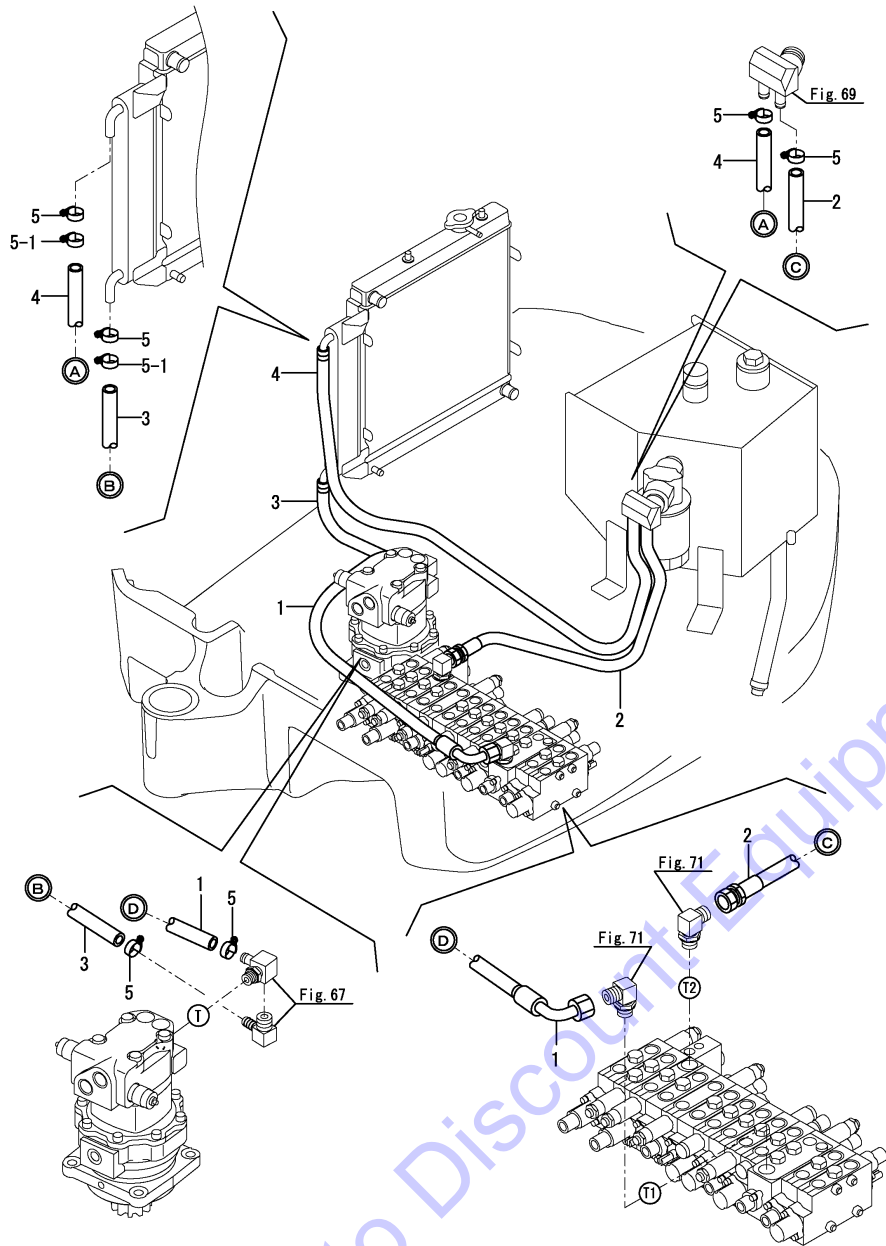
(D)=VIO17(SG)  
 (E)=  
 (F)=



No.	Lev.	Parts No.	Description	Q'ty						I	R
				(A)	(B)	(C)	(D)	(E)	(F)		
1	1	172A64-76120	JOINT	1	1	1	1				
1-1	1	172A64-76110	JOINT ASSY, RETURN				1				N
			(D=*2016.12.)								
1A	2	172A64-76120	JOINT, RETURN				1				W
			(D=*2016.12.)								
1B	2	23871-030000	PLUG, R03				1				W
			(D=*2016.12.)								
2	1	172A64-76140	BLOCK, DRAIN	1	1	1	1				
3	1	26013-080202	BOLT, M8X 20	2	2	2	2				
4	1	23393-030000	JOINT, 90RGI-3/8	1	1	1					
5	1	172A64-78231	HOSE	1	1	1	1				
6	1	23001-016000	CLAMP, HOSE 16	2	2	2	2				
7	1	23871-030000	PLUG, R03				1				Z
			(D=*2016.12.)								

Go to Discount-Equipment.com to buy your parts

Fig.70. CONTROL VALVE - RETURN & DRAIN



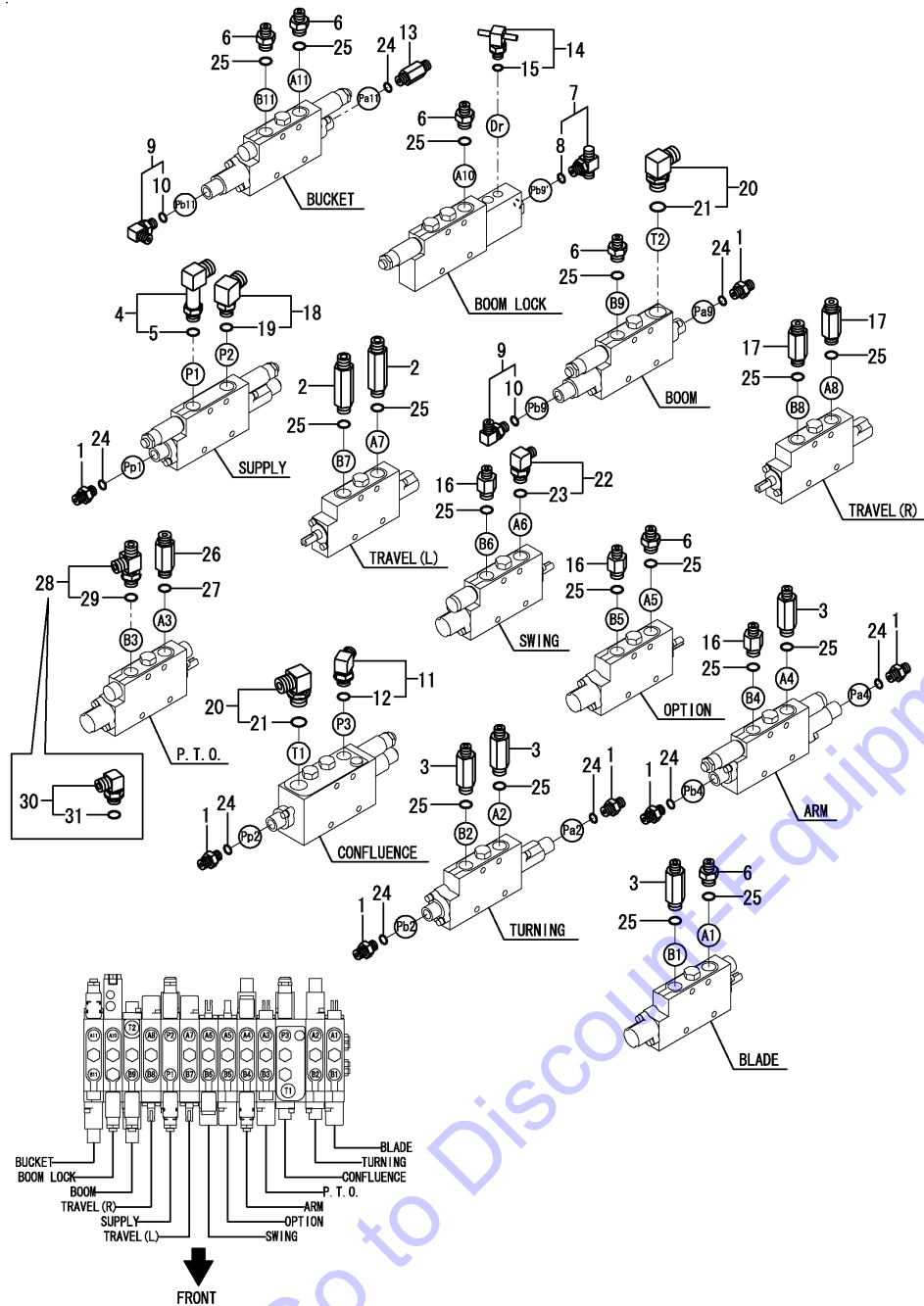
(A)=VIO17(US)  
 (B)=VIO17(AS)  
 (C)=VIO17(NZ)

(D)=VIO17(SG)  
 (E)=  
 (F)=

No.	Lev.	Parts No.	Description	Q'ty						I	R
				(A)	(B)	(C)	(D)	(E)	(F)		
1	1	172A64-78161	HOSE	1	1	1	1				
2	1	172A64-78170	HOSE	1	1	1	1				
3	1	172A64-78191	HOSE	1	1	1	1				
4	1	172A64-78200	HOSE	1	1	1	1				
5	1	23001-016000	CLAMP, HOSE 16	6	6	6	6				
5-1	1	23001-016000	CLAMP, HOSE 16	8	8	8	8				K
5-2	1	23001-019000	CLAMP, HOSE 19	8	8	8	8				N
		(A=*2008.10) (B=*2008.10) (C=*2008.10) (D=*2008.10)									
		(A=*2010.05) (B=*2010.05) (C=*2010.05) (D=*2010.05)									

Remarks  
 \* Fitting(control valve) is shown in Fig.71.

Fig.71. CONTROL VALVE(FITTING)



(A)=VIO17(US)  
(B)=VIO17(AS)  
(C)=VIO17(NZ)

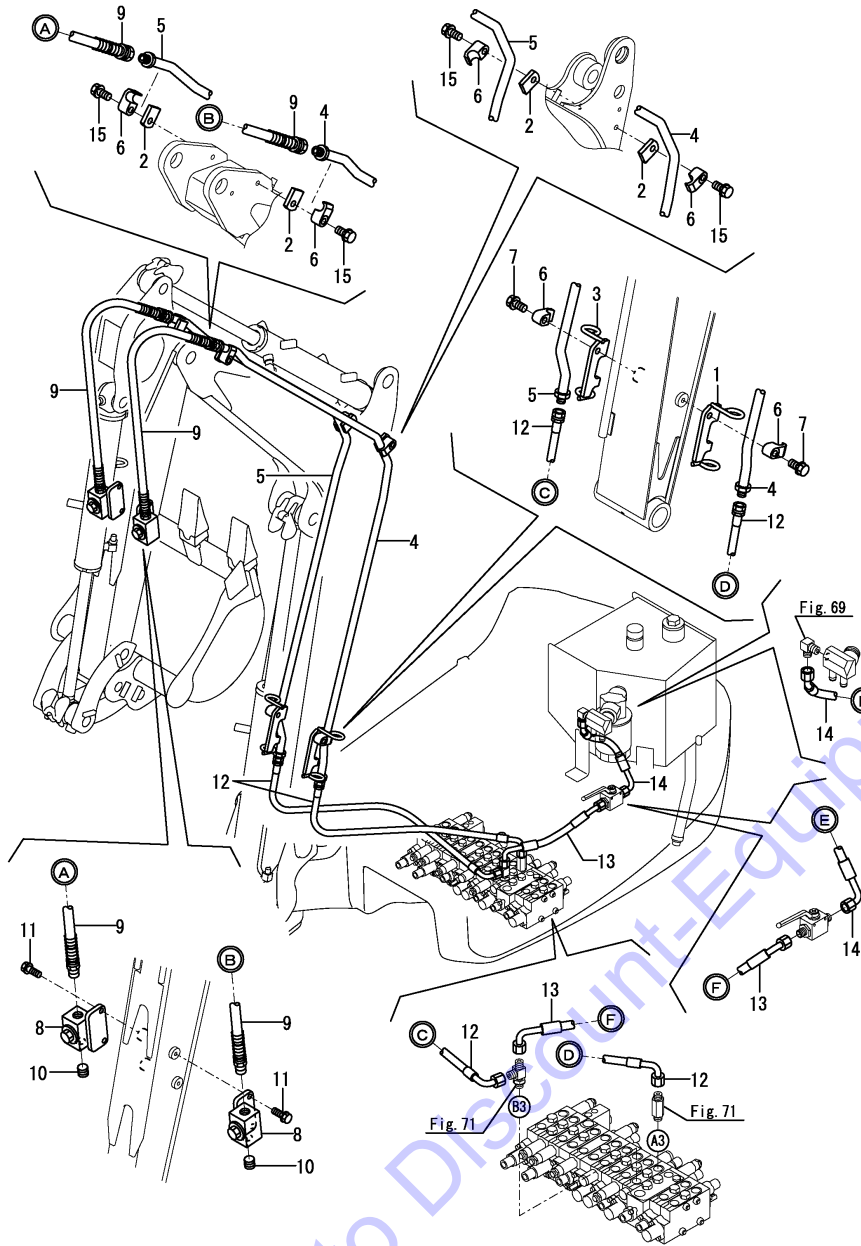
(D)=VIO17(SG)  
(E)=  
(F)=

No.	Lev.	Parts No.	Description	Q'ty						I	R
				(A)	(B)	(C)	(D)	(E)	(F)		
1	1	172123-76121	ADAPTER	7	7	7	7				
2	1	172162-76131	ADAPTER	2	2	2	2				
3	1	172422-76130	CONNECTOR, PF1/4-3/8	4	4	4	4				
4	1	172A64-76160	ELBOW ASSY	1	1	1	1				
5	2	24315-000140	O-RING, 1BP14.0	1	1	1	1				
6	1	172124-76160	CONNECTOR	6	6	6	6				
7	1	172187-76170	TEE, ADJUSTABLE	1	1	1	1				
8	2	24315-000110	O-RING, 1BP11.0	1	1	1	1				
9	1	172141-76180	CONNECTOR ASSY	2	2	2	2				
9-1	1	172141-76181	CONNECTOR ASSY, 02FF	2	2	2	2				N
		(A=*2007.12)	(B=*2007.12)	(C=*2007.12)	(D=*2007.12)						
10	2	24315-000110	O-RING, 1BP11.0	2	2	2	2				
10-1	2	41851-000110	O-RING	2	2	2	2				N
		(A=*2007.12)	(B=*2007.12)	(C=*2007.12)	(D=*2007.12)						
11	1	172142-76181	JOINT ASSY	1	1	1	1				
12	2	24315-000140	O-RING, 1BP14.0	1	1	1	1				
13	1	172183-76200	CONNECTOR	1	1	1	1				
14	1	172A47-76230	NIPPLE, TEE	1	1	1	1				
15	2	24315-000110	O-RING, 1BP11.0	1	1	1	1				
15-1	2	41851-000110	O-RING	1	1	1	1				N
		(A=*2008.03)	(B=*2008.03)	(C=*2008.03)	(D=*2008.03)						
16	1	172147-76260	CONNECTOR, 3/8X1/4	3	3	3	3				
17	1	172116-76381	ADAPTER, 64	2	2	2	2				
18	1	172645-76570	CONNECTOR ASSY	1	1	1	1				
19	2	24315-000140	O-RING, 1BP14.0	1	1	1	1				
20	1	172141-76900	CONNECTOR ASSY	2	2	2	2				
21	2	24315-000180	O-RING, 1BP18.0	2	2	2	2				
22	1	172141-76920	CONNECTOR ASSY	1	1	1	1				
23	2	24315-000140	O-RING, 1BP14.0	1	1	1	1				
24	1	24315-000110	O-RING, 1BP11.0	8	8	8	8				
24-1	1	41851-000110	O-RING	8	8	8	8				N
		(A=*2008.03)	(B=*2008.03)	(C=*2008.03)	(D=*2008.03)						
25	1	24315-000140	O-RING, 1BP14.0	17	17	17	17				
25-1	1	41851-000140	O-RING	17	17	17	17				N
		(A=*2008.03)	(B=*2008.03)	(C=*2008.03)	(D=*2008.03)						
26	1	172116-76381	ADAPTER, 64	1	1	1	1				
27	1	24315-000140	O-RING, 1BP14.0	1	1	1	1				
27-1	1	41851-000140	O-RING	1	1	1	1				N
		(A=*2008.03)	(B=*2008.03)	(C=*2008.03)	(D=*2008.03)						
28	1	172480-76120	TEE, ADJUSTABLE	1	1	1					
29	2	24315-000140	O-RING, 1BP14.0	1	1	1					
30	1	172142-76181	JOINT ASSY								1
31	2	24315-000140	O-RING, 1BP14.0								1

Fig.72. P.T.O.

(A)=VIO17(US)  
(B)=VIO17(AS)  
(C)=VIO17(NZ)

(D)=VIO17(SG)  
(E)=  
(F)=



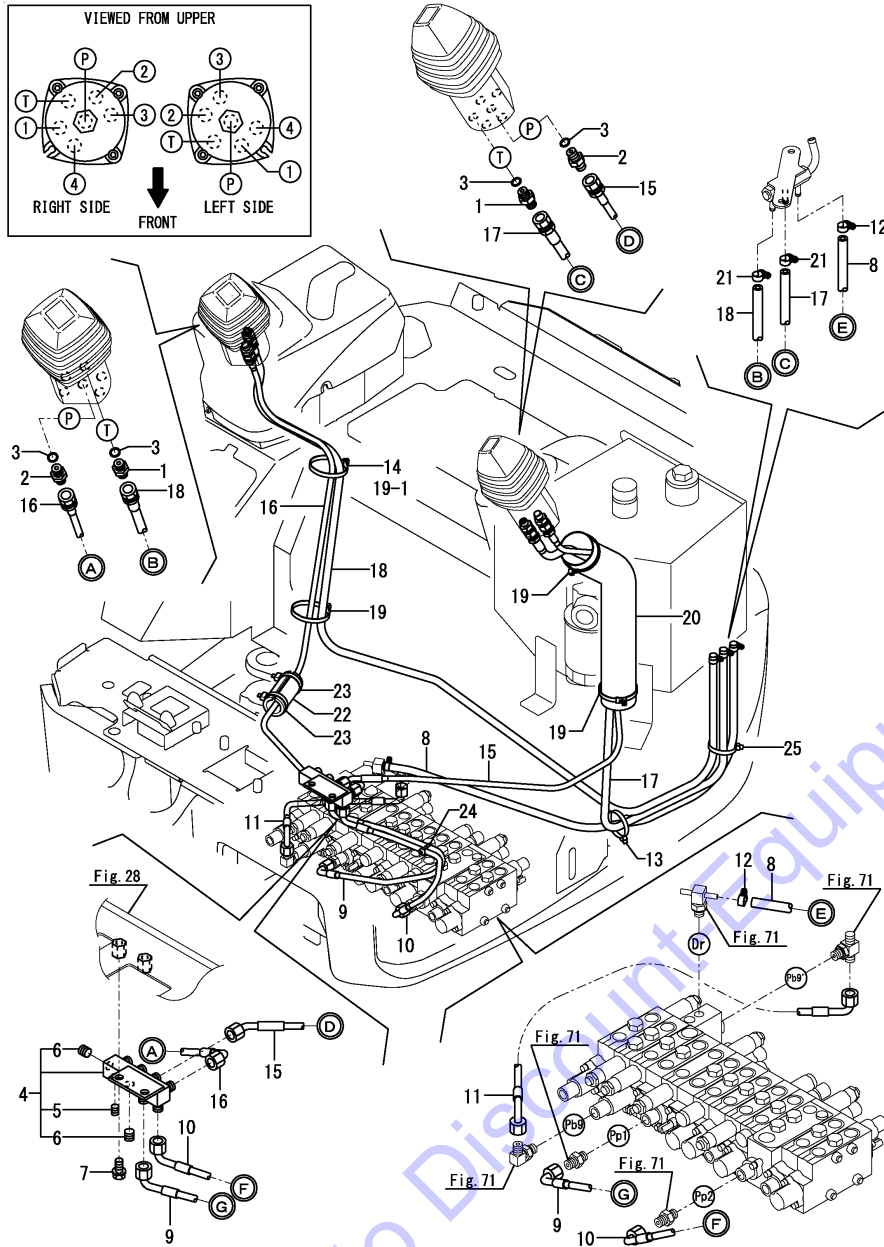
No.	Lev.	Parts No.	Description	Q'ty						I	R
				(A)	(B)	(C)	(D)	(E)	(F)		
1	1	172A64-76250	GUIDE ASSY, HOSE	1	1	1	1				
2	1	172183-76250-2	PLATE, SPACER	4	4	4	4				
2-1	1	172183-76250-Y	PLATE, SPACER	4	4	4	4				S
		(A=M07001) (B=M07001) (C=M07001) (D=M07001)									
3	1	172A64-76260	GUIDE ASSY, HOSE	1	1	1	1				
4	1	172A64-76600-1	TUBE ASSY, PTO	1	1	1	1				
4-1	1	172A64-76600-Y	TUBE ASSY, PTO	1	1	1	1				S
		(A=M07001) (B=M07001) (C=M07001) (D=M07001)									
5	1	172A64-76630-1	TUBE ASSY, PTO	1	1	1	1				
5-1	1	172A64-76630-Y	TUBE ASSY, PTO	1	1	1	1				S
		(A=M07001) (B=M07001) (C=M07001) (D=M07001)									
6	1	172142-76950-6	CLAMP	6	6	6	6				
6-1	1	172142-76950-Y	CLAMP, 1/2	6	6	6	6				S
		(A=M07001) (B=M07001) (C=M07001) (D=M07001)									
7	1	26013-120502	BOLT, M12X 50	2	2	2	2				
7-1	1	26014-120502	BOLT, 12 X 50	2	2	2	2				N
		(A=M0E528) (B=M0E528) (C=M0E528) (D=M0E528)									
8	1	172183-74821-3	VALVE, STOP	2	2	2	2				
8-1	1	172183-74822-3	VALVE ASSY, STOP	2	2	2	2				N
		(A=M00697) (B=M00697) (C=M00697) (D=M00697)									
8-2	1	172183-74822-Y	VALVE, STOP	2	2	2	2				S
		(A=M07001) (B=M07001) (C=M07001) (D=M07001)									
8-3	2	172B11-74700	VALVE ASSY, STOP R1/2	2	2	2	2				N
		(A=M0L088) (B=M0L088) (C=M0L088) (D=M0L088)									
9	1	172A64-78590	HOSE	2	2	2	2				
10	1	23871-040000	PLUG, R04	2	2	2	2				
11	1	26013-100252	BOLT, M10X 25	4	4	4	4				
12	1	172A64-78551	HOSE	2	2	2	2				
12-1	1	172A64-78552	HOSE H206BC115K	2	2	2	2				N
		(A=M00697) (B=M00697) (C=M00697) (D=M00697)									
13	1	172A64-78570	HOSE	1	1	1					
14	1	172A64-78580	HOSE	1	1	1					
15	1	26013-120502	BOLT, M12X 50	4	4	4	4				
15-1	1	26014-120552	BOLT, M12X 55	4	4	4	4				N
		(A=M0E528) (B=M0E528) (C=M0E528) (D=M0E528)									

Remarks

\* Fitting(control valve) is shown in Fig.71.

N:Old  $\xrightarrow{\text{Yes}}$  New, Q:Old  $\xrightarrow{\text{No}}$  New, R:Old  $\xrightarrow{\text{Yes}}$  New, S:Old  $\xrightarrow{\text{No}}$  New, W:Add, Z:Discontinued, F:Interchangeable by set, K:Q'ty Change

Fig.73. CONTROL PIPING(1)



(A)=VIO17(US)  
(B)=VIO17(AS)  
(C)=VIO17(NZ)

(D)=VIO17(SG)  
(E)=  
(F)=

No.	Lev.	Parts No.	Description	Q'ty						I	R
				(A)	(B)	(C)	(D)	(E)	(F)		
1	1	172123-76121	ADAPTER	2	2	2	2				
2	1	172455-76220	CONNECTOR	2	2	2	2				
3	1	24315-000110	O-RING, 1BP11.0	4	4	4	4				
4	1	172A47-76310	BLOCK, PILOT	1	1	1	1				
5	2	23871-010000	PLUG, R01	1	1	1	1				
6	2	23871-020000	PLUG, R02	2	2	2	2				
7	1	26013-100162	BOLT, M10X 16	2	2	2	2				
8	1	172A64-78221	HOSE	1	1	1	1				
9	1	172A64-78630	HOSE	1	1	1	1				
10	1	172A64-78640	HOSE	1	1	1	1				
11	1	172A64-78700	HOSE	1	1	1	1				
12	1	23000-013000	CLAMP, 13	2	2	2	2				
13	1	172614-16520	BAND 100	1	1	1	1				Z
		(A=*2016.01.)	(B=*2016.01.)	(C=*2016.01.)	(D=*2016.01.)						
14	1	194202-56460	BAND, 200	1	1	1	1				Z
		(A=*2016.01.)	(B=*2016.01.)	(C=*2016.01.)	(D=*2016.01.)						
15	1	172A64-78671	HOSE	1	1	1	1				
16	1	172A64-78681	HOSE	1	1	1	1				
17	1	172A64-78721	HOSE	1	1	1	1				
18	1	172A64-78730	HOSE	1	1	1	1				
19	1	172122-79930	CLAMP, HOSE	3	3	3	3				
19-1	1	172122-79930	CLAMP, HOSE	4	4	4	4				K
		(A=*2016.01.)	(B=*2016.01.)	(C=*2016.01.)	(D=*2016.01.)						
20	1	172137-79950	COVER, HOSE	1	1	1	1				
21	1	23000-013000	CLAMP, 13	2	2	2	2				
22	1	172A46-78500	HOSE	1	1	1	1				W
		(A=M/# 00865)	(B=M/# 00865)	(C=M/# 00865)	(D=M/# 00865)						
23	1	933168-55770	BAND	2	2	2	2				W
		(A=M/# 00865)	(B=M/# 00865)	(C=M/# 00865)	(D=M/# 00865)						
24	1	172614-16520	BAND 100	1	1	1	1				W
		(A=M00501)	(B=M00501)	(C=M00501)	(D=M00501)						
25	1	172126-11510	BAND	1	1	1	1				W
		(A=*2016.01.)	(B=*2016.01.)	(C=*2016.01.)	(D=*2016.01.)						

Remarks

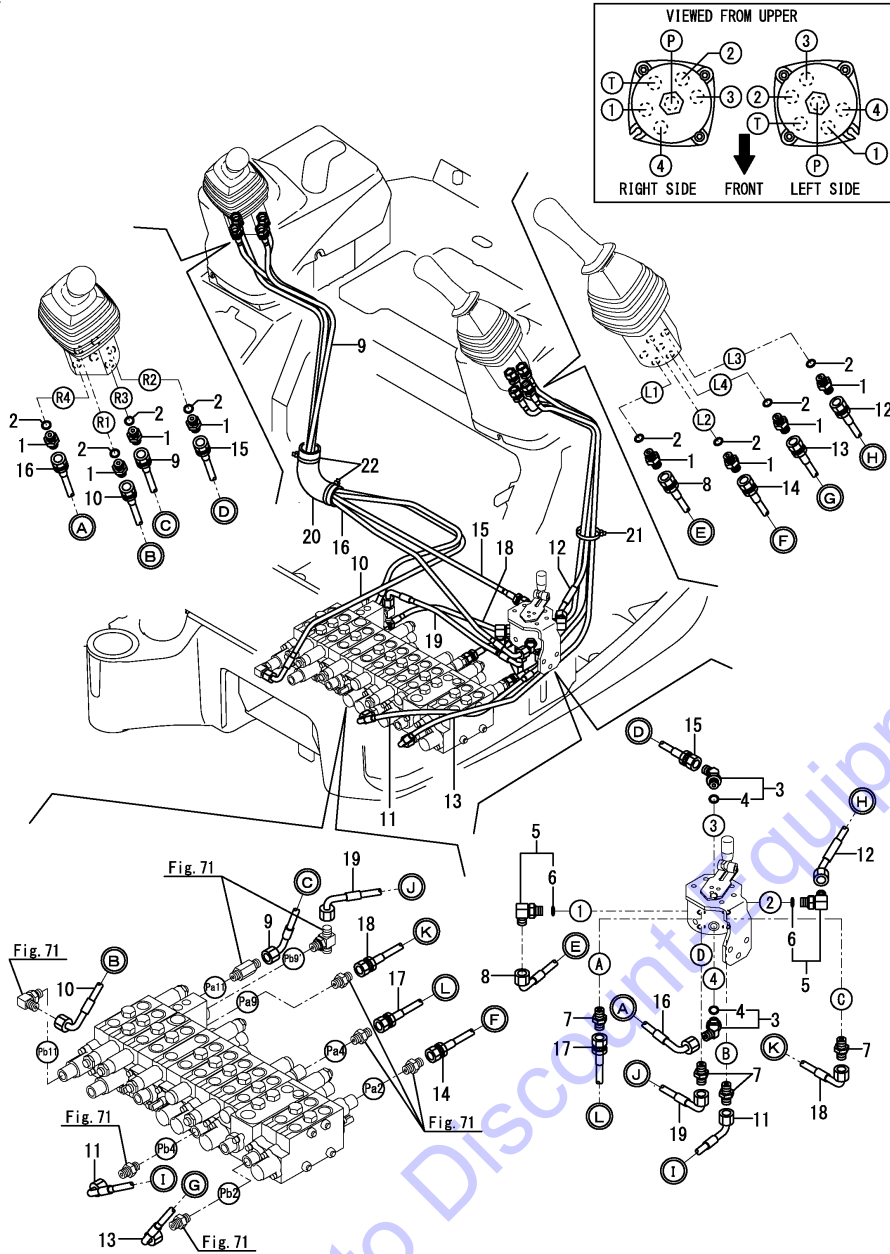
\* Fitting(control valve) is shown in Fig.71.

N:Old  $\begin{matrix} \leftarrow \text{Yes} \\ \text{No} \end{matrix}$  New, Q:Old  $\begin{matrix} \leftarrow \text{No} \\ \text{Yes} \end{matrix}$  New, R:Old  $\begin{matrix} \leftarrow \text{Yes} \\ \text{Yes} \end{matrix}$  New, S:Old  $\begin{matrix} \leftarrow \text{No} \\ \text{No} \end{matrix}$  New, W:Add, Z:Discontinued, F:Interchangeable by set, K:Q'ty Change

Fig.74. CONTROL PIPING(2)(2-WAY SPEC.)

(A)=VIO17(US)  
(B)=VIO17(AS)  
(C)=VIO17(NZ)

(D)=VIO17(SG)  
(E)=  
(F)=



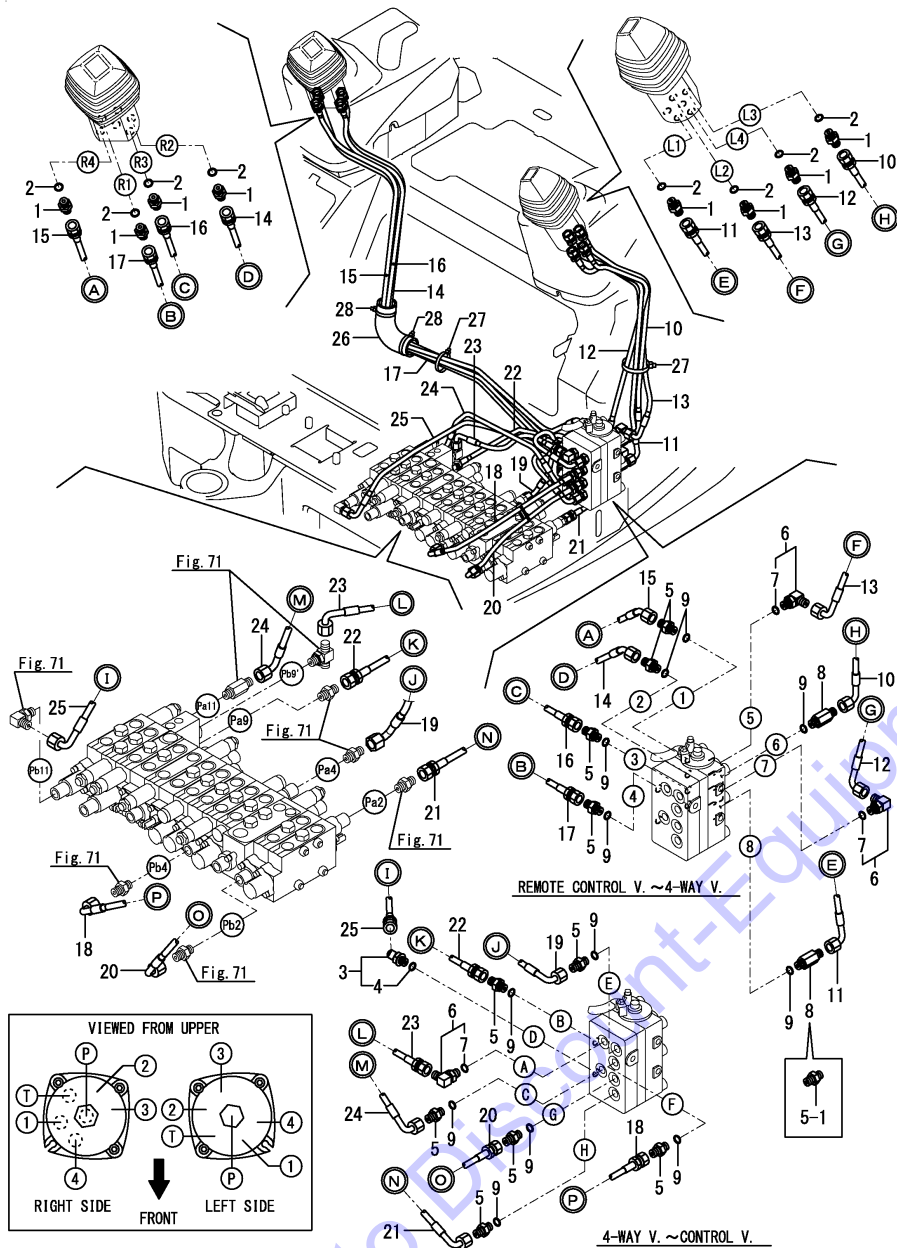
No.	Lev.	Parts No.	Description	Q'ty						I	R
				(A)	(B)	(C)	(D)	(E)	(F)		
1	1	172123-76121	ADAPTER	8	8	8					
2	1	24315-000110	O-RING, 1BP11.0	8	8	8					
3	1	172173-76101	CONNECTOR ASSY	2	2	2					
3-1	1	172173-76102	CONNECTOR ASSY	2	2	2					N
		(A=M01007) (B=M01007) (C=M01007)									
4	2	24315-000110	O-RING, 1BP11.0	2	2	2					
4-1	2	41851-000110	O-RING	2	2	2					N
		(A=M01007) (B=M01007) (C=M01007)									
5	1	172141-76180	CONNECTOR ASSY	2	2	2					
5-1	1	172141-76181	CONNECTOR ASSY, 02FF	2	2	2					N
		(A=M01400) (B=M01400) (C=M01400)									
6	2	24315-000110	O-RING, 1BP11.0	2	2	2					
6-1	2	41851-000110	O-RING	2	2	2					N
		(A=M01400) (B=M01400) (C=M01400)									
7	1	23391-020000	JOINT, RGI-1/4	4	4	4					
8	1	172A64-78761	HOSE	1	1	1					
9	1	172A64-78810	HOSE	1	1	1					
10	1	172A64-78821	HOSE	1	1	1					
11	1	172A64-78830	HOSE	1	1	1					
12	1	172A64-79111	HOSE	1	1	1					
13	1	172A64-79130	HOSE	1	1	1					
14	1	172A64-79140	HOSE	1	1	1					
15	1	172A64-79150	HOSE	1	1	1					
16	1	172A64-79160	HOSE	1	1	1					
17	1	172A64-79180	HOSE	1	1	1					
18	1	172A64-79191	HOSE	1	1	1					
19	1	172A64-79200	HOSE	1	1	1					
20	1	172A64-78920	COVER,HOSE B	1	1	1					W
		(A=M0B772) (B=M0B772) (C=M0B772)									
21	1	172126-11510	BAND	5	5	5					W
		(A=*2016.01.) (B=*2016.01.) (C=*2016.01.)									
22	1	933168-55770	BAND	2	2	2					W
		(A=*2016.01.) (B=*2016.01.) (C=*2016.01.)									

Remarks

\* Fitting(control valve) is shown in Fig.71.



Fig.87. (74A)CONTROL PIPING(2)(4-WAY SPEC.)



(A)=VIO17(US)  
(B)=VIO17(AS)  
(C)=VIO17(NZ)

(D)=VIO17(SG)  
(E)=  
(F)=

No.	Lev.	Parts No.	Description	Q'ty						I	R
				(A)	(B)	(C)	(D)	(E)	(F)		
1	1	172123-76121	ADAPTER, M/M PF1/4				8				
2	1	41851-000110	O-RING, P11.0 HNBR				8				
3	1	172173-76102	CONNECTOR ASSY				1				
4	2	41851-000110	O-RING, P11.0 HNBR				1				
5	1	172123-76121	ADAPTER, M/M PF1/4				10				
5-1	1	172123-76121	ADAPTER, M/M PF1/4				11				K
				(D=M09700)							
6	1	172141-76181	CONNECTOR ASSY, 02FF				3				
7	2	41851-000110	O-RING, P11.0 HNBR				3				
8	1	172183-76200	CONNECTOR, 1/4-1/4				2				
8-1	1	172183-76200	CONNECTOR, 1/4-1/4				1				K
				(D=M09700)							
9	1	41851-000110	O-RING, P11.0 HNBR				12				
10	1	172A64-79270	HOSE, F403BC068				1				
11	1	172A64-79281	HOSE, F403BC074				1				
12	1	172A64-79290	HOSE, F403BC072				1				
13	1	172A64-79300	HOSE, F403BC066				1				
14	1	172A64-79310	HOSE, F403BE137				1				
15	1	172A64-79320	HOSE, F403BE141				1				
16	1	172A64-79330	HOSE, F403BB138				1				
17	1	172A64-79340	HOSE, F403BB138				1				
18	1	172A64-79350	HOSE, F403BC047				1				
19	1	172A64-79360	HOSE, F403CC040				1				
20	1	172A64-79370	HOSE, F403BC043				1				
21	1	172A64-79380	HOSE, F403BC040				1				
22	1	172A64-79390	HOSE, F403BB037				1				
23	1	172A64-79400	HOSE, F403BC037				1				
24	1	172A64-79410	HOSE, F403CC046				1				
25	1	172A64-79421	HOSE, F403BC062S				1				
26	1	172A64-78920	COVER, HOSE B				1				W
				(D=M0B850)							
27	1	172126-11510	BAND, BINDING 300				6				W
				(D=*2016.01.)							
28	1	933168-55770	BAND, BINDING 146				2				W
				(D=*2016.01.)							

Remarks

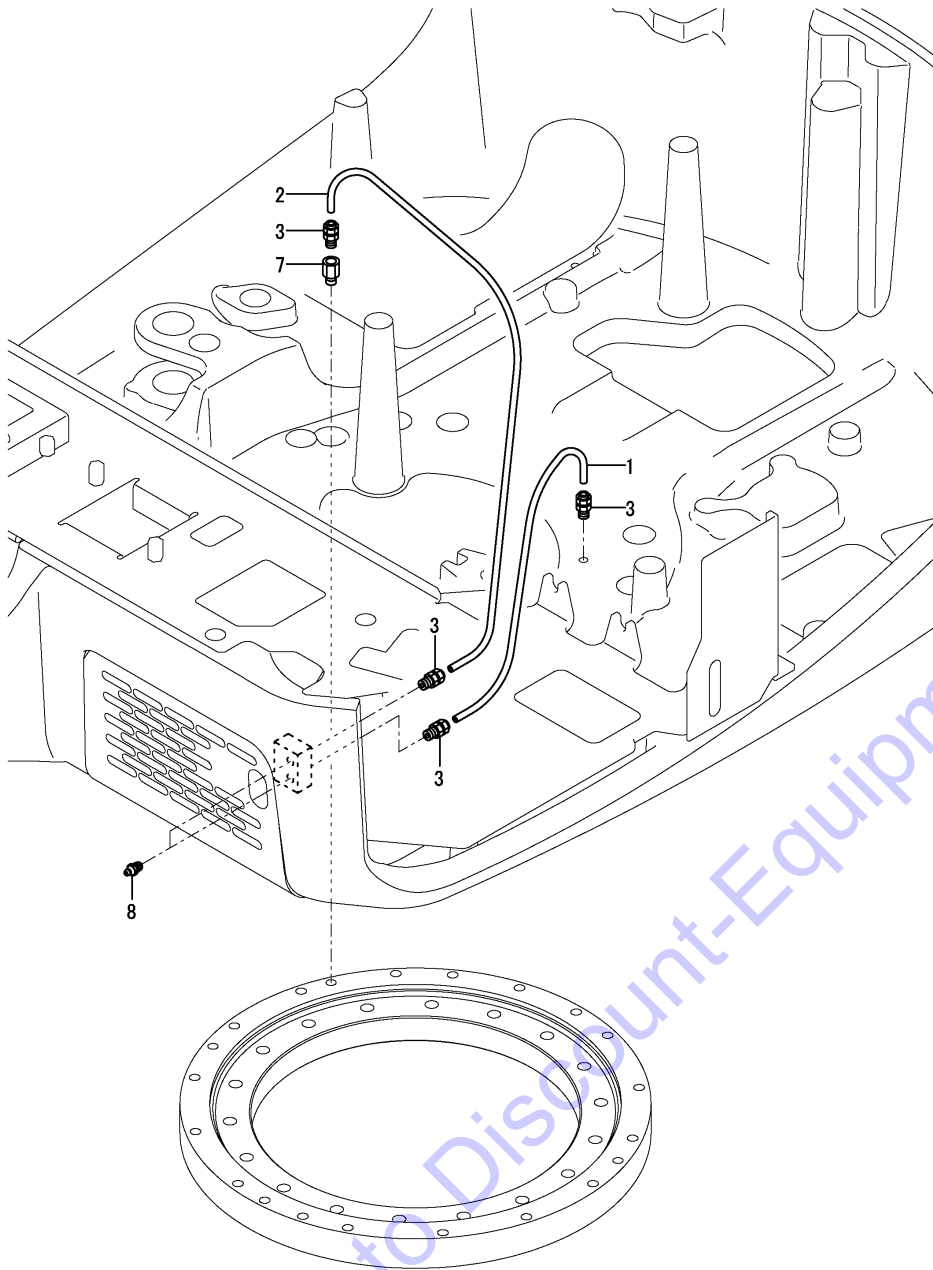
\* Fitting(control valve) is shown in Fig.71.

N:Old  $\begin{matrix} \text{Yes} \\ \text{No} \end{matrix}$  New, Q:Old  $\begin{matrix} \text{No} \\ \text{Yes} \end{matrix}$  New, R:Old  $\begin{matrix} \text{Yes} \\ \text{No} \end{matrix}$  New, S:Old  $\begin{matrix} \text{No} \\ \text{Yes} \end{matrix}$  New, W:Add, Z:Discontinued, F:Interchangeable by set, K:Q'ty Change

Fig.75. GREASING

(A)=VIO17(US)  
 (B)=VIO17(AS)  
 (C)=VIO17(NZ)

(D)=VIO17(SG)  
 (E)=  
 (F)=



No.	Lev.	Parts No.	Description	Q'ty						I	R
				(A)	(B)	(C)	(D)	(E)	(F)		
1	1	172A47-77800	HOSE	1	1	1	1				
2	1	172A64-77800	HOSE	1	1	1	1				
3	1	172A47-77820	JOINT, GREASE	4	4	4	4				
7	1	172312-77820	FITTING, GREASE	1	1	1	1				
8	1	24761-020000	NIPPLE, GREASE PT1/8	2	2	2	2				

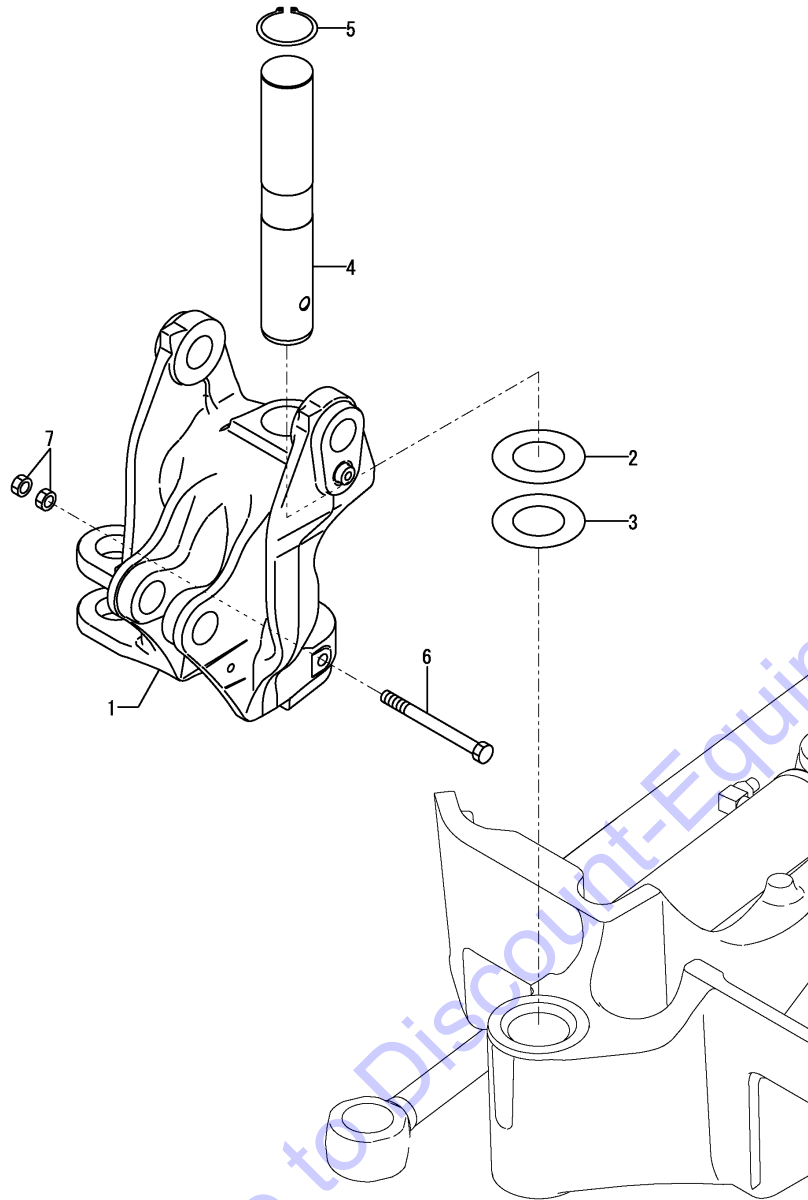
Go to Discount-Equipment.com to order your parts

Fig.76. BOOM BRACKET

(A)=VIO17(US)  
 (B)=VIO17(AS)  
 (C)=VIO17(NZ)

(D)=VIO17(SG)  
 (E)=  
 (F)=

No.	Lev.	Parts No.	Description	Q'ty						I	R
				(A)	(B)	(C)	(D)	(E)	(F)		
1	1	172448-82302-1	BRACKET, BOOM	1	1	1	1				
1-1	1	172448-82302-Y	BRACKET,BOOM	1	1	1	1				S
		(A=M07001) (B=M07001) (C=M07001) (D=M07001)									
2	1	172165-82520	SHIM	1	1	1	1				
3	1	172165-82530	SHIM	1	1	1	1				
4	1	172A64-82641	PIN, 50X312 CMP	1	1	1	1				
5	1	22242-000500	RING, 50	1	1	1	1				
6	1	26116-121302	BOLT, M12X130 PLATED	1	1	1	1				
7	1	26756-120002	NUT, LOCK M12	2	2	2	2				

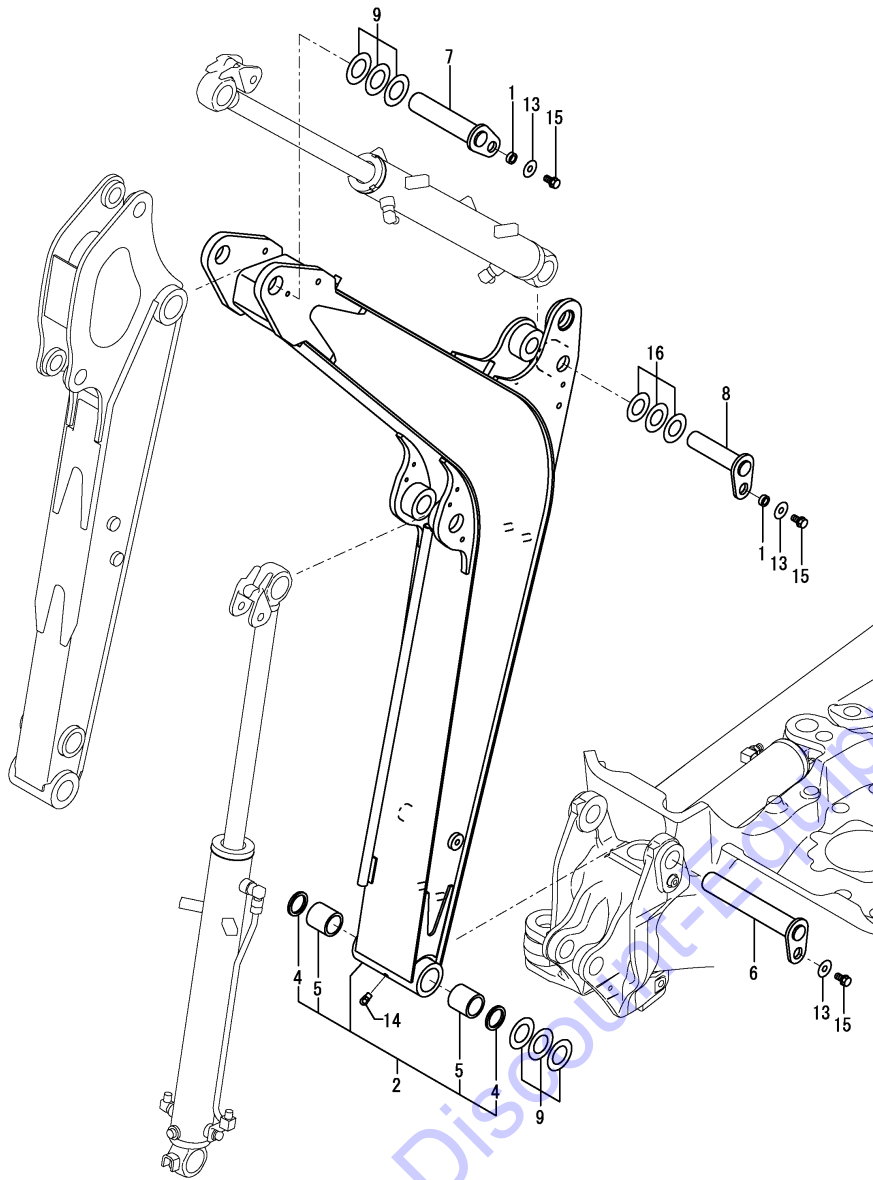


Go to Discount-Equipment.com to order your parts

Fig.77. BOOM

(A)=VIO17(US)  
 (B)=VIO17(AS)  
 (C)=VIO17(NZ)

(D)=VIO17(SG)  
 (E)=  
 (F)=



No.	Lev.	Parts No.	Description	Q'ty						I	R
				(A)	(B)	(C)	(D)	(E)	(F)		
1	1	172010-01640	SPACER	2	2	2	2				
2	1	172A64-81100-1	BOOM ASSY	1	1	1	1				1
2-1	1	172A64-81100-Y	BOOM ASSY	1	1	1	1				S 1
		(A=M07001)	(B=M07001)	(C=M07001)	(D=M07001)						
4	2	172448-81610	SEAL, DUST 35X45X4	2	2	2	2				
5	2	172141-82270	BUSH 35 45	2	2	2	2				
6	1	172A64-82601	PIN ASSY, 35X237	1	1	1	1				
7	1	172A64-82730	PIN ASSY,35X155	1	1	1	1				
8	1	172A64-82790	PIN ASSY, 30X121	1	1	1	1				
9	1	172141-84601	SHIM	2	2	2	2				
13	1	22157-100000	WASHER, 10	3	3	3	3				
14	1	24761-050000	NIPPLE, GREASE C	1	1	1	1				
15	1	26013-100252	BOLT, M10X 25	3	3	3	3				
16	1	933160-06711	SHIM ASSY	1	1	1	1				
20A	1	172437-03461	LABEL, BOOM	2	2	2	2				2

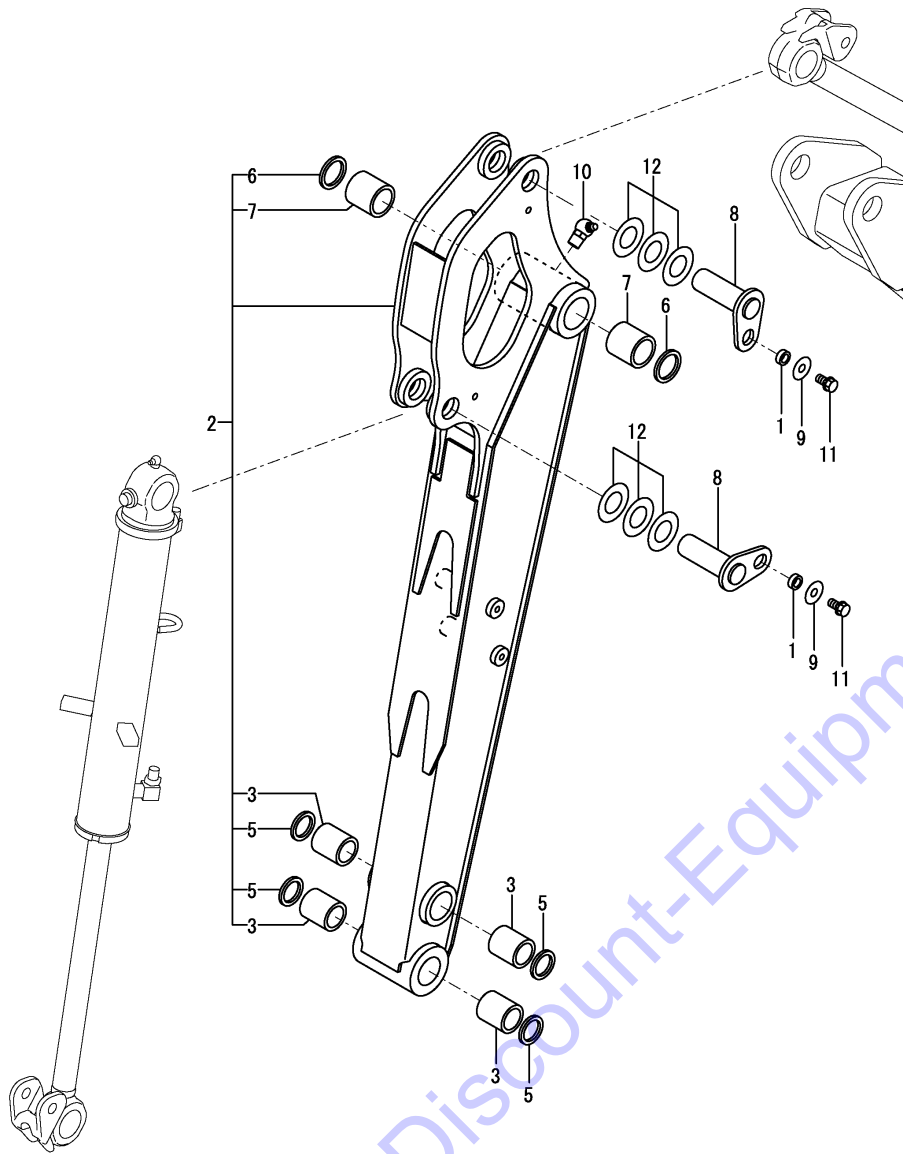
Remarks

- (1)Attach the No.20A label to this part.
- (2)Label is not illustrated.

Fig.78. ARM

(A)=VIO17(US)  
 (B)=VIO17(AS)  
 (C)=VIO17(NZ)

(D)=VIO17(SG)  
 (E)=  
 (F)=



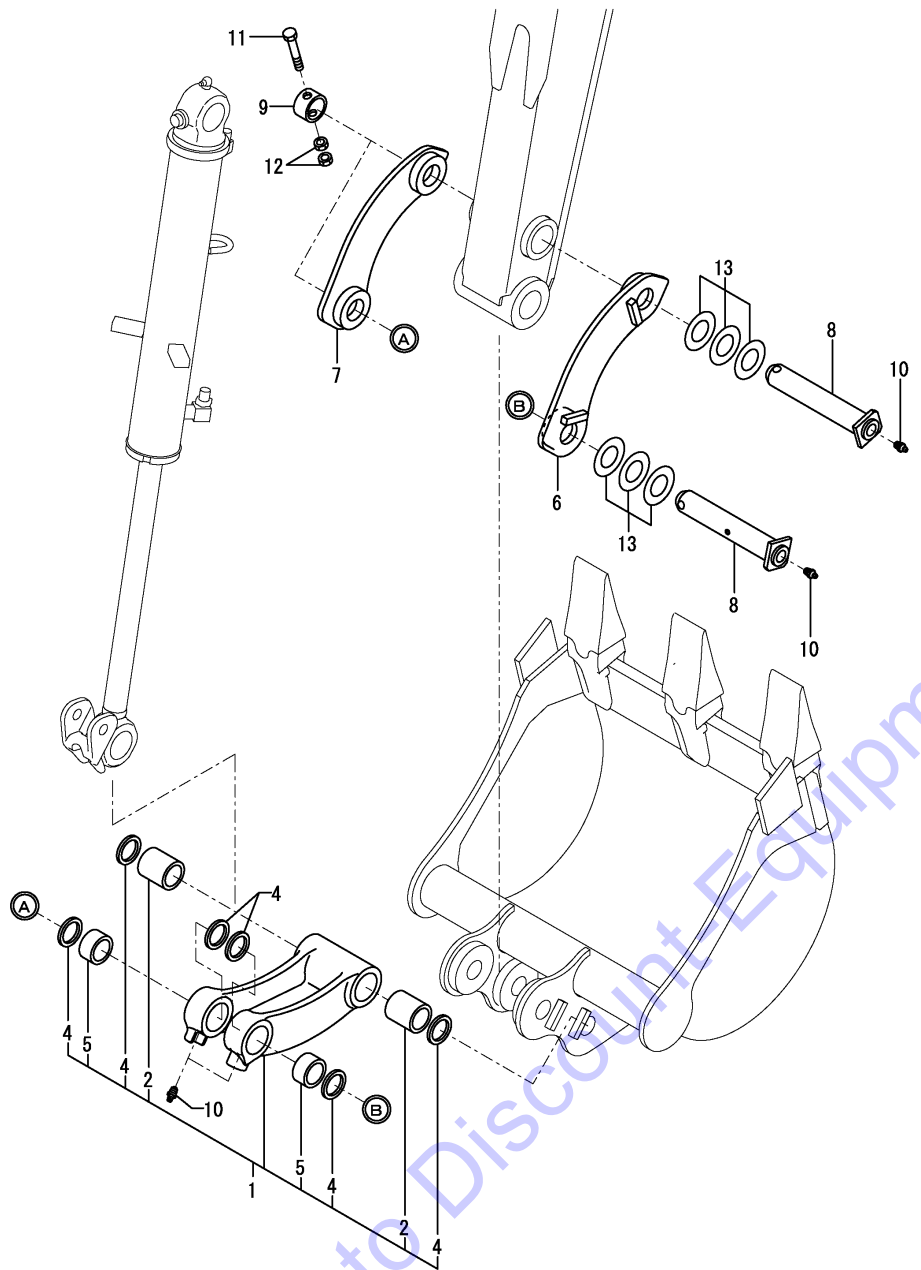
No.	Lev.	Parts No.	Description	Q'ty						I	R
				(A)	(B)	(C)	(D)	(E)	(F)		
1	1	172010-01640	SPACER	2	2	2	2				
2	1	172A64-81500-1	ARM ASSY, 950	1	1	1	1				
2-1	1	172A64-81500-Y	ARM ASSY, 950	1	1	1	1				S
		(A=M07001)	(B=M07001)	(C=M07001)	(D=M07001)						
3	2	172137-81300	BUSH 30X45, PIN	4	4	4	4				
5	2	172448-81600	SEAL, DUST 30X40X4	4	4	4	4				
6	2	172448-81610	SEAL, DUST 35X45X4	2	2	2	2				
7	2	172141-82270	BUSH 35 45	2	2	2	2				
8	1	172A64-82820	PIN ASSY,30X87	2	2	2	2				
9	1	22157-100000	WASHER, 10	2	2	2	2				
10	1	24761-040000	NIPPLE, GREASE B	1	1	1	1				
11	1	26013-100252	BOLT, M10X 25	2	2	2	2				
12	1	933160-06711	SHIM ASSY	2	2	2	2				

Go to Discount-Equipment.com to buy your parts

Fig.79. BUCKET ARM & LINK

(A)=VIO17(US)  
(B)=VIO17(AS)  
(C)=VIO17(NZ)

(D)=VIO17(SG)  
(E)=  
(F)=

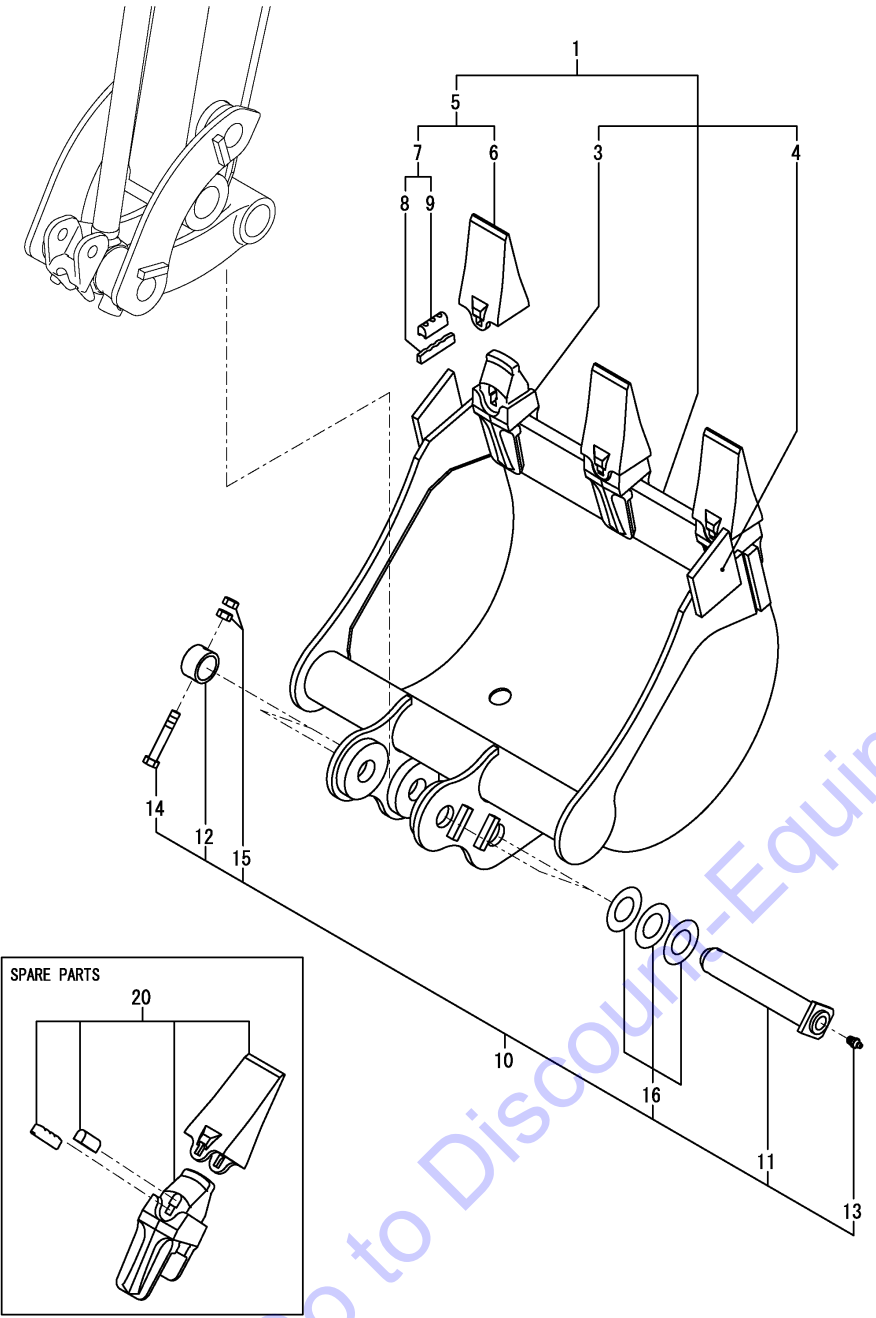


No.	Lev.	Parts No.	Description	Q'ty						I	R
				(A)	(B)	(C)	(D)	(E)	(F)		
1	1	172A64-81380-1	LINK ASSY, BUCKET	1	1	1	1				
1-1	1	172A64-81380-Y	LINK ASSY, BUCKET	1	1	1	1				S
		(A=M07001) (B=M07001) (C=M07001) (D=M07001)									
2	2	172137-81300	BUSH 30X45, PIN	2	2	2	2				
4	2	172448-81600	SEAL, DUST 30X40X4	6	6	6	6				
5	2	172137-84451	BUSH	2	2	2	2				
6	1	172A64-81410-1	ARM ASSY, BUCKET	1	1	1	1				
6-1	1	172A64-81411-1	ARM ASSY, BUCKET	1	1	1	1				N
		(A=M03444) (B=M03444) (C=M03444) (D=M03444)									
6-2	1	172A64-81411-Y	ARM ASSY, BUCKET	1	1	1	1				S
		(A=M07001) (B=M07001) (C=M07001) (D=M07001)									
7	1	172A64-81440-1	ARM ASSY, BUCKET	1	1	1	1				
7-1	1	172A64-81441-1	ARM ASSY, BUCKET	1	1	1	1				N
		(A=M03444) (B=M03444) (C=M03444) (D=M03444)									
7-2	1	172A64-81441-Y	ARM ASSY, BUCKET	1	1	1	1				S
		(A=M07001) (B=M07001) (C=M07001) (D=M07001)									
8	1	172A64-82850	PIN ASSY, 30X159	2	2	2	2				
9	1	172A64-82880	COLLAR	2	2	2	2				
10	1	24761-020000	NIPPLE, GREASE PT 1/8	4	4	4	4				
11	1	26116-100552	BOLT, M10X 55 PLATED	2	2	2	2				
12	1	26716-100002	NUT, M10	4	4	4	4				
13	1	933160-06711	SHIM ASSY	2	2	2	2				

Fig.80. BUCKET

(A)=VIO17(US)  
 (B)=VIO17(AS)  
 (C)=VIO17(NZ)

(D)=VIO17(SG)  
 (E)=  
 (F)=

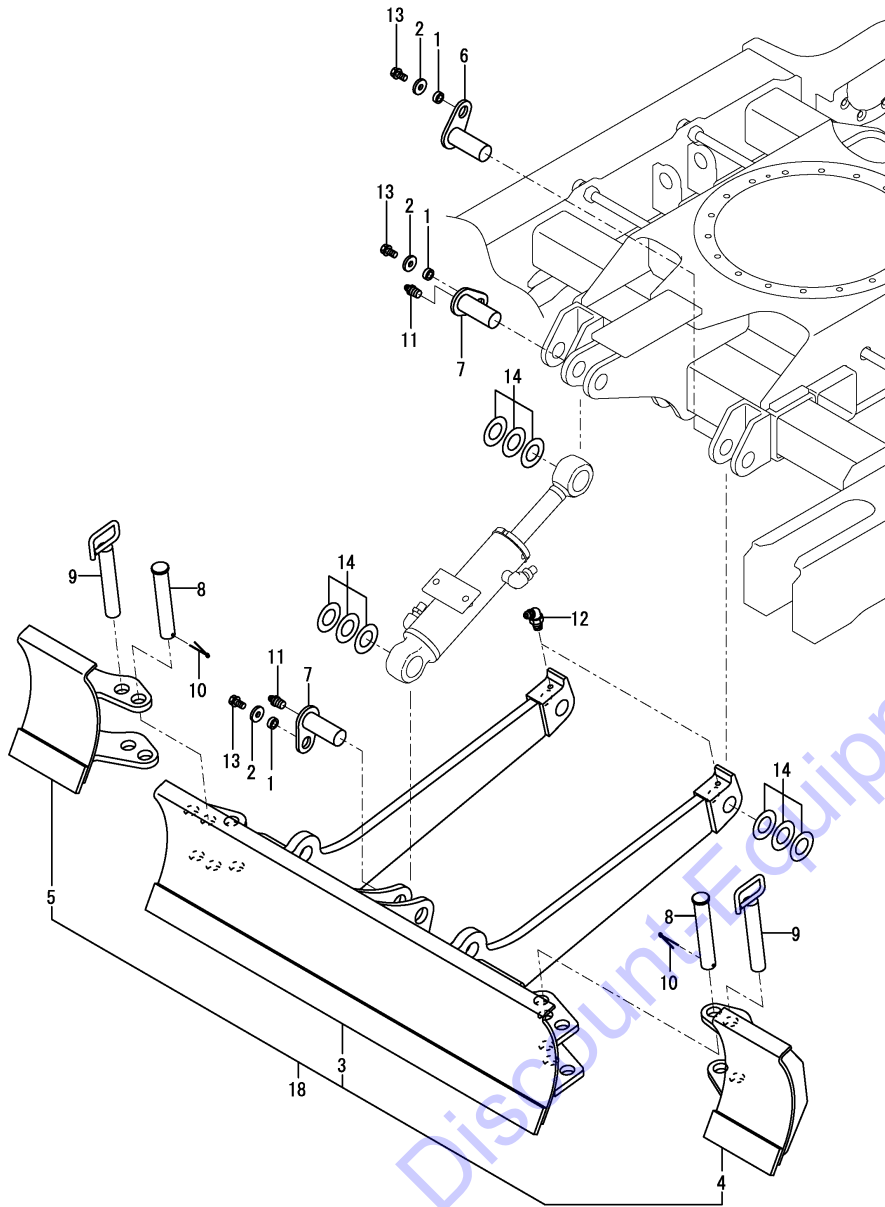


No.	Lev.	Parts No.	Description	Q'ty						I	R
				(A)	(B)	(C)	(D)	(E)	(F)		
1	1	172448-82400-2	BUCKET ASSY, 450S	1	1	1					
3	3	172448-82530-2	ADAPTER	3	3	3					
4	3	172137-86240	CUTTER, SIDE	2	2	2					
5	2	172448-82950	TOOTH KIT, POINT	3	3	3					
6	3	172448-82570	TOOTH, POINT	3	3	3					
7	3	172448-82960	PIN ASSY, LOCK	3	3	3					
8	4	172448-82580	PIN, LOCK	3	3	3					
9	4	172448-82590	RUBBER, PIN	3	3	3					
10	1	172A55-99451	PIN ASSY	2	2	2	2				
11	2	172A64-82850	PIN ASSY,30X159	2	2	2	2				
12	2	172A64-82880	COLLAR	2	2	2	2				
13	2	24761-020000	NIPPLE, GREASE PT1/8	2	2	2	2				
14	2	26116-100552	BOLT, M10X 55 PLATED	2	2	2	2				
15	2	26716-100002	NUT, M10	4	4	4	4				
16	2	933160-06711	SHIM ASSY	2	2	2	2				
20	1	772448-82530-3	TOOTH ASSY	3	3	3					

Fig.81. BLADE

(A)=VIO17(US)  
 (B)=VIO17(AS)  
 (C)=VIO17(NZ)

(D)=VIO17(SG)  
 (E)=  
 (F)=



No.	Lev.	Parts No.	Description	Qty						I	R
				(A)	(B)	(C)	(D)	(E)	(F)		
1	1	172010-01640	SPACER	4	4	4	4				
2	1	172110-36010	COLLAR	4	4	4	4				
3	1	172A64-94100	BLADE ASSY	1	1	1	1				
3-1	1	172A64-94101 (A=M02523)	BLADE,ASSY (GRAY:49) (B=M02523)	1	1	1	1				N
4	1	172A64-94250	BLADE ASSY, SIDE (C=M02523)	1	1	1	1				
5	1	172A64-94260	BLADE ASSY, SIDE (D=M02523)	1	1	1	1				
6	1	172A64-94350	PIN ASSY,30X76 A	2	2	2	2				
7	1	172A64-94370	PIN ASSY,30X76 B	2	2	2	2				
8	1	172448-94700	PIN 25X143	2	2	2	2				
9	1	172448-94710	PIN 25	2	2	2	2				
10	1	22417-400400	PIN, COTTER 4.0X40	2	2	2	2				
11	1	24761-020000	NIPPLE, GREASE PT1/8	2	2	2	2				
12	1	24761-040000	NIPPLE, GREASE B	2	2	2	2				
13	1	26013-100252	BOLT, M10X 25	4	4	4	4				
14	1	933160-06711	SHIM ASSY	4	4	4	4				
18	1	172A64-94050 (A=M00805)	BLADE, ASSY (B=M00805)	1	1	1	1				W 1
			(C=M00805)								
			(D=M00805)								

Remarks  
 (1)Order No.3, 4 & 5.

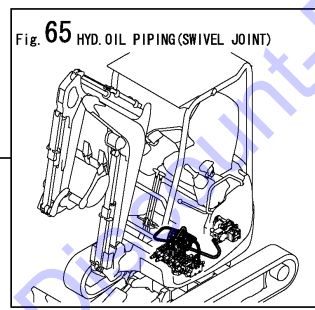
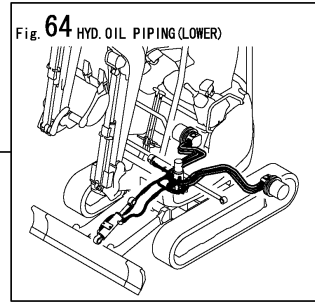
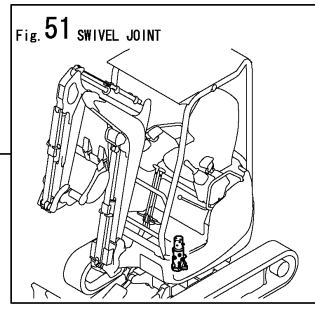


# Fig.82. SWIVEL JOINT EXCHANGE KIT

(A)=VIO17(US)  
 (B)=VIO17(AS)  
 (C)=VIO17(NZ)

(D)=VIO17(SG)  
 (E)=  
 (F)=

No.	Lev.	Parts No.	Description	Q'ty						I	R
				(A)	(B)	(C)	(D)	(E)	(F)		
1	1	172A64-08400 (A=M00501) (B=M00501)	EXCHANGE KIT (C=M00501) (D=M00501)	1	1	1	1				W



1  
 SWIVEL JOINT EXCHANGE KIT

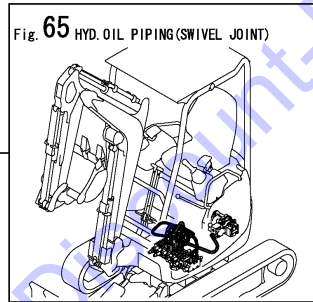
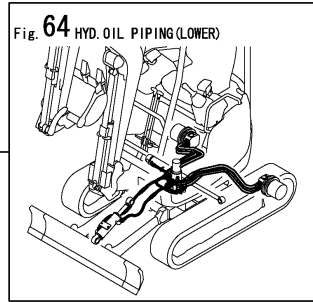
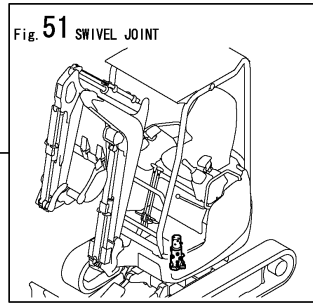
Remarks  
 \* This figure is not applied after M01212.

Fig.83. SWIVEL JOINT HOSE EXCHANGE KIT

(A)=VIO17(US)  
 (B)=VIO17(AS)  
 (C)=VIO17(NZ)

(D)=VIO17(SG)  
 (E)=  
 (F)=

No.	Lev.	Parts No.	Description	Q'ty						I	R
				(A)	(B)	(C)	(D)	(E)	(F)		
1	1	172A64-08450 (A=M00501) (B=M00501)	EXCHANGE KIT, HOSE (C=M00501) (D=M00501)	1	1	1	1				W



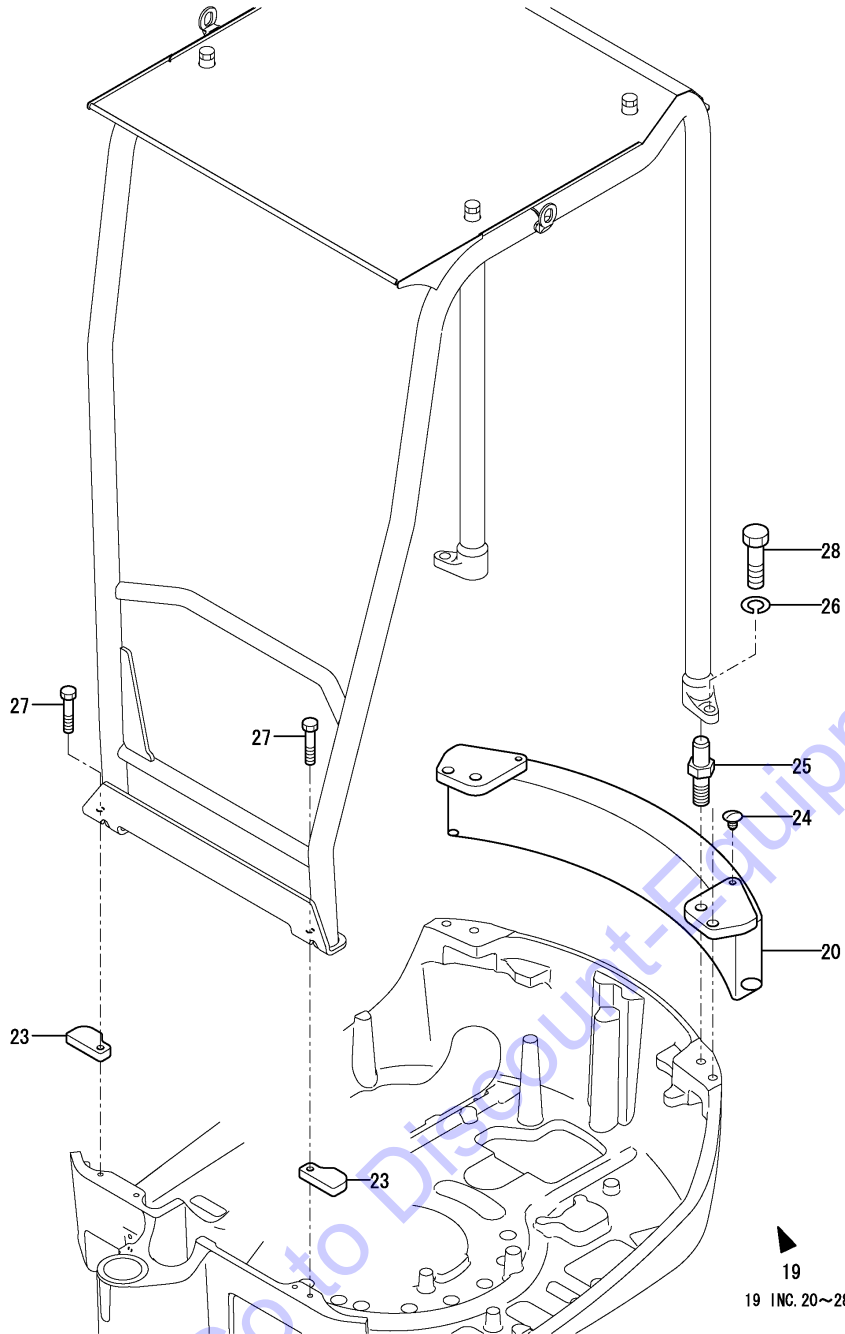
1  
 SWIVEL JOINT HOSE EXCHANGE KIT

Remarks  
 \* This figure is not applied after M01212.

Fig.84. WEIGHT KIT(OPTIONAL)

(A)=VIO17(US)  
 (B)=VIO17(AS)  
 (C)=VIO17(NZ)

(D)=VIO17(SG)  
 (E)=  
 (F)=



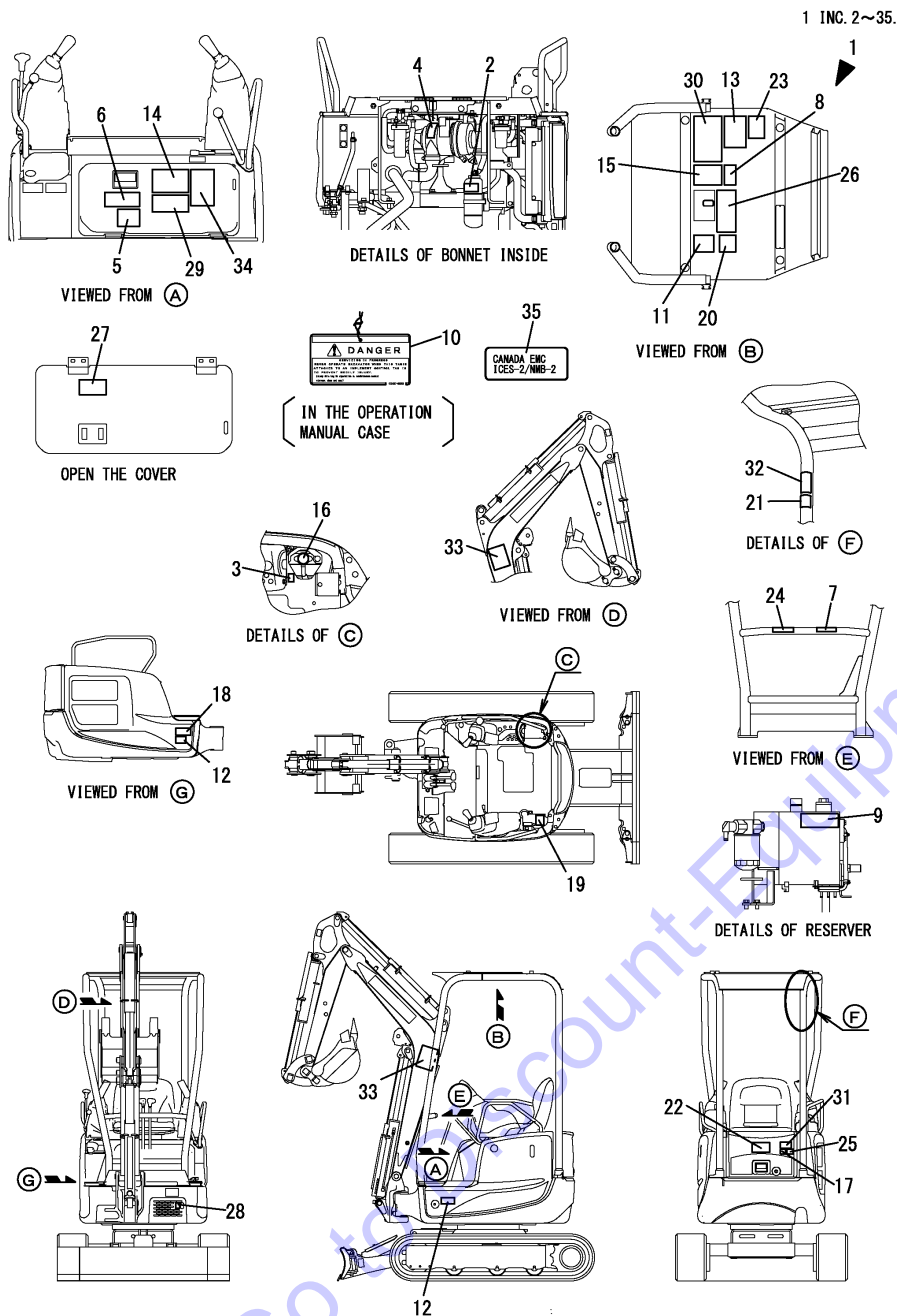
No.	Lev.	Parts No.	Description	Q'ty						I	R
				(A)	(B)	(C)	(D)	(E)	(F)		
19	1	172A64-08610	WEIGHT KIT	1	1	1	1				W
		(A=M/# 01769) (B=M/# 01769) (C=M/# 01769) (D=M/# 01769)									
20	2	172A64-53400	WEIGHT ASSY	1	1	1	1				
23	2	172A64-53460	SPACER	2	2	2	2				
24	2	172176-68210	CLIP, TREE	2	2	2	2				
25	2	172A64-68290	JOINT, 21-M20X48	2	2	2	2				
26	2	22217-200000	WASHER, SPRING 20	2	2	2	2				
27	2	26076-120552	BOLT, 10.912X 55	2	2	2	2				
28	2	26076-200702	BOLT, 10.920X 70	2	2	2	2				

19  
 19 INC. 20~28.

Fig.88. LABEL KIT(FOR CANADA)(OPTIONAL)

(A)=VIO17(US)  
(B)=VIO17(AS)  
(C)=VIO17(NZ)

(D)=VIO17(SG)  
(E)=  
(F)=



No.	Lev.	Parts No.	Description	Q'ty						I	R
				(A)	(B)	(C)	(D)	(E)	(F)		
1	1	172A64-03010	CA LABEL KIT,VIO17	1							
2	2	172A37-03150	LABEL,SUB-TANK CA	1							
3	2	172A37-03160	LABEL,ANTI-FREEZE CA	1							
4	2	172A37-03180	LABEL J, AIR CLEANER	1							
5	2	172A37-03220	LABEL,ADJUST CRAWLER	1							
6	2	172A64-03220	LABEL,SPECIFICATION	1							
7	2	172A37-03231	LABEL,MANUAL CA.	1							
8	2	172A37-03241	LABEL,SLOPE CA.	1							
9	2	172A37-03250	LABEL,RESERVOIR CA	1							
10	2	172469-03261	TAG ASSY, SERVICING	1							
11	2	172A37-03271	LABEL,TRANSPORT CA.	1							
12	2	172A37-03280	LABEL,GREASE CYL CA	2							
13	2	172A64-03280	LABEL,OIL&WATER CA	1							
14	2	172A37-03290	LABEL,BATTERY CA	1							
15	2	172A37-03300	LABEL,NEWTRAL CA	1							
16	2	172469-03320	LABEL,RADIATOR CAP	1							
17	2	172A37-03330	LABEL,ENGINE COVER	1							
18	2	172A37-03350	LABEL,SILENCER CA	1							
19	2	172469-03360	LABEL,OIL	1							
20	2	172A37-03360	LABEL,STERRING CA	1							
21	2	172A37-03370	LABEL,ROPS CA	1							
22	2	172A64-03390	LABEL,SWING AREA CA	1							
23	2	172469-03400	LABEL,GREASING	1							
24	2	172A37-03400	LABEL,LEVER LOCK CA	1							
25	2	172A37-03410	LABEL,RADIATOR CA	1							
26	2	172A37-03430	LABEL,2 WAY CA	1							
27	2	172448-03440	LABEL,FUSE	1							
28	2	172448-03480	LABEL,GREASE	1							
29	2	172A37-03500	LABEL,SUPPORT CA	1							
30	2	172A64-03570	LABEL,LIFT CA	1							
31	2	172A37-03710	LABEL,ENGROOM CA	1							
32	2	172A37-03720	LABEL,SEAT BELT CA	1							
33	2	172A37-03730	LABEL,BOOM CA	2							
34	2	172A29-03910	LABEL,VARIABLE CA	1							
35	2	172B03-03230	LABEL,EMC	1	1						W

(A)=\*2016.10.) (B)=\*2016.10.)

## Parts No. Index

Parts No.	Fig. No.	Ref. No.
101720-55750	9	36
102103-55520	9	20
		31
104200-55321	9	27
104200-55330	9	17
		28
104200-55341	9	29
104200-55750	9	24
		37
105027-12580	4	6
105425-01690	6	1
110250-55610	9	21
		32
114110-07760	1	50
	2	23
	39	10 A
114110-07761	1	50 -1
	2	23 -1
	39	10 A-1
	95	50
119247-77100	12	13
119258-12530	4	3
119650-77910	12	15
119650-77911	12	15 -1
119653-77710	12	14
119653-77711	12	14 -1
119655-12560	4	5
119808-12540	4	4
119810-55340	9	18
119810-55650	9	23
119813-44510	7	28
119833-55620	9	16
119833-55621	9	16 -1
121250-49121	7	7
121250-55620	9	22
121254-55510	9	19
121256-44600	7	30
121257-55720	9	33
121257-55731	9	34
124064-55510	9	30
124450-44550	7	29
124701-11911	3	6
124766-59050	7	31
	8	18
	9	41
124970-77920	12	32
129211-77920	12	18
129335-55700	9	26
129335-55701	9	26 -1
129612-52100	9	15

Parts No.	Fig. No.	Ref. No.
158802-85040	42	20
158842-86360	42	44
158842-86610	42	45
158842-86620	42	46
168PA0-29010	42	12
168PA0-29020	42	16
168PA0-86010	42	21
168PA0-86020	42	22
168PA0-86030	42	23
168PA0-86050	42	24
168PA0-86060	42	25
168PA0-86140	42	26
168PA0-86210	42	35
168PA0-86290	42	36
168PA0-86330	42	42
168PA0-86340	42	43
168PA0-86650	42	47
168PA0-86720	42	48
168PA0-86730	42	49
168PA0-86740	42	50
168PA0-86750	42	51
168PA0-86760	42	52
168PA0-86830	42	53
168PA0-87010	42	54
168PA0-87020	42	55
171081-55910	9	38
172010-01640	43	1
	77	1
	78	1
	81	1
172068-28490	26	2
172110-36010	81	2
172112-16650	11	5
172112-77361	63	5
	91	4
172113-12522	5	6
172116-75850-B	62	13
172116-76381	71	17
		26
172117-83970-7	46	32
172122-17190	38	1
	39	2
172122-37844	17	16
		43
172122-46590	21	17
172122-79920	66	11
172122-79930	73	19
		19 -1
172123-76121	71	1
	73	1

Parts No.	Fig. No.	Ref. No.
172123-76121	74	1
	87	1
		5
		5 -1
	91	3
172124-46200	20	3
	21	15
172124-46340	21	16
172124-76100	63	2
	91	2
172124-76160	67	2
	71	6
172125-03951	1	47
	95	47
172126-11510	66	13
	73	25
	74	21
	87	27
172126-16540	8	24
	14	5
172131-76130	67	1
172137-16560	9	13
		14
		14 -1
	63	17
	91	11
172137-37850	17	23
		50
172137-46042	43	2
	44	1
	45	1
172137-70490	50	2
172137-70570	50	3
172137-70580	50	4
172137-70590	50	5
172137-70600	50	6
172137-79950	73	20
172137-81300	78	3
	79	2
172137-84451	79	5
172137-86240	80	4
172141-41340	21	4
172141-41360	22	3
	24	6
	25	3
	26	9
	39	3
172141-41370	20	2
	21	6
		9

Parts No.	Fig. No.	Ref. No.
172141-72250	44	12
	46	7
172141-76180	43	35
	44	29
	45	29
	63	3
	67	3
	71	9
	74	5
172141-76181	43	35 -1
	44	29 -1
	45	29 -1
	63	3 -1
	67	3 -1
	71	9 -1
	74	5 -1
	87	6
172141-76900	71	20
172141-76920	71	22
	91	19
172141-77260	50	29
172141-82270	77	5
	78	7
172141-84601	43	46
	77	9
172142-72560	46	17
172142-73800	51	4
172142-76181	71	11
		30
172142-76950-6	72	6
172142-76950-Y	72	6 -1
172146-82910	46	31
172147-76180	65	1
		2
172147-76260	71	16
172148-73350	50	7
172148-73870	51	6
172149-57610	30	15
172149-72241	43	29
172149-72242	43	29 -1
172149-72440	44	15
		22
	45	17
		22 -1
	47	12
		17
172149-72680	45	22
172151-73400	60	3
		21
172151-73420	60	4

## Parts No. Index

Parts No.	Fig. No.	Ref. No.
172151-73420	60	22
172151-73450	60	5
		23
172151-73610	60	24
172156-17401	15	3
172156-17420	15	4
172156-78510	33	3
172156-78520	33	4
172157-03170	1	8
172157-45840	14	1 C
172157-45990	24	10
	26	14
172157-58830	59	2
172157-73910	51	13
172162-14200	8	13
172162-46690	20	7
	25	6
172162-76131	71	2
172162-76320	65	3
172164-45951	21	13
172164-45961	21	14
172164-45970	22	5
172164-66170	34	14
	40	12
172165-45970	19	2
172165-46340	24	11
	26	15
172165-47550	20	9
172165-76590	91	18
172165-82520	76	2
172165-82530	76	3
172165-82580	46	26
172165-82590	46	27
172165-82600	46	28
172168-72410	46	14
172168-73370	49	5
172168-73590	50	14
172171-14610	8	17
172171-54750	30	5
172173-38200	18	8
172173-38210	18	9
172173-38220	18	10
172173-38300	18	11
172173-72550	44	28
	45	25
	48	14
172173-73520	50	8
172173-73690	50	16
172173-73700	50	17
172173-76101	74	3

Parts No.	Fig. No.	Ref. No.
172173-76102	74	3 -1
	87	3
172176-67790	34	7
172176-68210	30	7
	84	24
172179-13211	6	7
172183-03280	1	19
	95	19
172183-11400	3	3
172183-16550	12	9
172183-16580	12	3
172183-16590	12	4
172183-74821-3	72	8
172183-74822-3	72	8 -1
172183-74822-Y	72	8 -2
172183-76200	71	13
	87	8
		8 -1
172183-76250-2	72	2
172183-76250-Y	72	2 -1
172186-13810	7	24
	9	1
172186-13820	7	25
	9	2
172186-76390	65	4
172187-17070	13	2
172187-17080	13	3
172187-17090	13	4
172187-17100	13	1
172187-17101	13	1 -1
172187-17280	37	1
172187-17320	37	5
172187-17341	37	7
172187-17350	37	8
172187-17360	37	9
172187-17371	37	10
172187-17380	37	11
172187-17470	37	15
172187-17480	37	16
172187-17560	37	17
172187-17570	37	18
172187-17760	37	1 -1
172187-45530	24	3
	26	6
172187-45651	24	8
	26	11
172187-45760	24	9
	26	12
172187-61421	34	1
	40	1

Parts No.	Fig. No.	Ref. No.
172187-64831	38	14
172187-64900	34	25
172187-76170	71	7
172187-78580	9	14 -2
172312-77820	75	7
172422-73140	90	4
172422-73160	90	7
172422-73170	90	32
172422-73200	90	8
172422-73220	90	10
172422-73280	90	42
172422-73290	90	43
172422-73500	90	44
172422-73510	90	33
172422-73520	90	45
172422-73530	90	46
		47
172422-73540	90	48
172422-73550	90	19
		49
172422-73560	90	50
172422-73570	90	34
172422-73580	90	52
172422-73590	90	53
172422-73610	90	54
172422-73620	90	20
172422-73630	90	21
172422-73640	90	23
172422-73650	90	25
172422-73660	90	26
172422-73670	90	27
172422-76130	71	3
172433-64511	38	10
172437-03242	1	14
	95	14
172437-03252	1	16
	2	1
	95	16
172437-03302	1	21
	2	22
	41	13 J
	95	21
172437-03312	1	23
	2	2
	41	13 A
	95	23
172437-03322	1	24
	2	3
	62	18 A
	95	24

Parts No.	Fig. No.	Ref. No.
172437-03343	1	26
	2	4
	41	13 B
	95	26
172437-03352	1	27
	2	5
	35	15 A
		16 A
	95	27
172437-03361	1	28
	2	6
	34	24 A
	95	28
172437-03372	1	29
	2	7
	41	13 C
	95	29
172437-03391	1	31
	2	9
	40	22 B
	95	31
172437-03402	1	32
	2	10
	40	22 C
	95	32
172437-03422	1	34
	2	12
	35	16 B
	95	34
172437-03432	1	35
	2	13
	41	13 D
	95	35
172437-03441	1	36
	2	14
	41	13 E
	95	36
172437-03451	1	37
	2	15
	41	13 F
	95	37
172437-03461	1	38
	2	16
	77	20 A
	95	38
172437-03471	1	39
	2	17
	41	13 G
	95	39
172437-03501	1	40

## Parts No. Index

Parts No.	Fig. No.	Ref. No.
172437-03501	95	40
172437-03511	1	41
	95	41
		41 -1
172437-03601	1	45
	2	19
	41	13 I
	95	45
172437-03610	1	46
	95	46
172437-03620	1	48
	95	48
172437-74711	59	4
172437-74720	59	5
172437-74732	59	6
172441-44320	27	1
172444-03290	1	51
	95	51
172444-13210	7	5
172444-13220	7	6
172444-17660	38	2
	96	1
172444-54920	30	21
172444-64730	40	3
172445-62010	35	11
172446-03652	1	49
	2	20
	34	24 B
	95	49
172446-13330	7	9
172446-13450	7	2 B
172446-14250	8	15 A
	12	11
172446-73872	51	9
172446-73890	51	12
172446-73900	51	3
172446-75250	62	7
172446-78750-2	33	5
172446-78750-Y	33	5 -1
172446-78760	33	6
172446-78770	33	7
172447-13260	6	8
172447-17140	12	6
172447-17150	12	7
172447-57600	30	13
172447-57601	30	13 -1
172447-72860	47	20
172447-73840	51	5
172447-74230	55	14
	56	18

Parts No.	Fig. No.	Ref. No.
172447-75600	62	8
172447-76210	64	3
172448-03440	88	27
172448-03480	88	28
172448-03540	1	42
	95	42
172448-11500	4	1
172448-16550	15	1
172448-16600	14	6
172448-37310	16	5
172448-37320	85	4
172448-37712	17	14
		41
172448-37800	17	15
		42
172448-38101-1	18	2
172448-38110-2	18	3
172448-38231	18	12
172448-38301-1	18	13
172448-45380-1	26	4
172448-45800-3	26	13
172448-50800-1	29	7
	92	7
172448-54120	30	4
172448-62400	36	5
172448-65680	39	13
172448-71200	42	5
	90	67
172448-72270	43	32
172448-72650	46	10
		16
172448-73190	90	3
172448-73840	51	1
172448-73851	51	2
172448-73860	51	8
172448-73900	51	17
	89	19
172448-81600	44	16
		23
	45	18
		23
	47	14
		19
		78
		5
		79
172448-81610	43	19
		23
	77	4
		78
		6
172448-82302-1	76	1

Parts No.	Fig. No.	Ref. No.
172448-82302-Y	76	1 -1
172448-82400-2	80	1
172448-82530-2	80	3
172448-82570	80	6
172448-82580	80	8
172448-82590	80	9
172448-82950	80	5
172448-82960	80	7
172448-94700	81	8
172448-94710	81	9
172449-37200-1	17	33
172449-72020	44	7
172449-72040	46	2
172449-72321	44	17
	45	12
	48	10
172449-72350	43	33
172449-72410	44	25
172449-72560	45	26
172449-72810	46	18
172449-72960	46	21
172450-73120	90	13
172450-73130	90	14
172455-14470	8	16
172455-46890	20	8
172455-61710	96	2
172455-75290	62	9
172455-75300	62	10
172455-76220	73	2
172456-13480	7	12
172456-14151	8	9
172456-14152	8	9 -1
172456-14610	9	9
172456-14620	9	10
172456-74280	52	6
172456-74290	56	16
172456-74440	52	4
172456-77150	50	18
172456-77160	50	19
172456-77170	50	20
172456-77180	50	21
172456-77190	50	22
172456-77200	50	23
172456-77210	50	24
172456-77220	50	25
172456-77230	50	26
172456-77240	50	27
172456-77250	50	28
172458-03240	1	15
	26	1

Parts No.	Fig. No.	Ref. No.
172458-03240	95	15
172458-14370	8	14
172458-16110	10	1
172458-16140	11	3
172458-45510-1	21	12
172458-45521-1	24	2
	26	5
172458-45540-1	24	4
	26	7
172458-45950	25	5
172458-46730	60	1
172458-50480-2	31	1
172458-72740	46	11
172458-73570	90	51
172458-73630	90	22
172458-73640	90	24
		55
172458-73660	90	56
172458-74130	53	2
	54	2
	55	2
		16
	56	3
	58	3
172458-74140	53	3
	54	3
	55	3
		17
	56	4
	58	4
172458-74150	52	8
	53	17
	55	4
		18
	56	20
	58	5
		15
172458-74160	52	9
	53	18
	55	5
		19
	56	21
	58	6
		16
172458-74170	53	4
	54	4
	55	6
		20
	56	5
	58	7

## Parts No. Index

Parts No.	Fig. No.	Ref. No.
172458-74230	52	10
	53	19
	54	16
	56	22
	57	6
	58	17
172458-74240	52	11
	53	20
	54	17
	56	23
	57	7
	58	18
172458-74250	52	12
	53	21
	56	25
	58	19
172458-74260	52	13
	53	22
	54	18
	56	26
	57	8
	58	20
172458-74290	53	5
	54	5
	57	9
172458-74360	53	7
	54	7
	57	10
172458-74460	53	8
	54	8
172458-74530	54	19
	57	11
172458-74540	54	20
	57	12
172458-74550	54	21
	57	13
172458-74630	52	15
	53	24
	55	8
	22	
	56	27
	58	8
		21
172458-74640	53	9
	54	9
	57	14
172458-74650	56	10
172458-74670	57	15
172458-74720	52	18
	53	26

Parts No.	Fig. No.	Ref. No.
172458-74720	54	23
	55	27
	56	30
	58	23
172460-16700	11	6
172462-03320	1	25
	95	25
172462-74340	53	15
	56	29
172463-03290	1	20
	95	20
172469-03261	88	10
172469-03320	88	16
172469-03360	88	19
172469-03400	88	23
172472-03141	1	5
	2	21
	34	24 C
	95	5
172472-03160	1	7
	95	7
172472-17400-1	14	10
172472-17401-1	14	10 -1
172472-17401-Y	14	10 -2
172472-17470-1	14	11
172472-17470-Y	14	11 -1
172472-17501	37	2
172478-16580	14	7
172478-65220	34	6
	35	2
		9
172480-74800	86	1
172480-76120	71	28
172487-76200	67	5
172490-03200	1	11
	95	11
172490-74310	56	7
172490-74320	56	8
172490-74330	56	9
172496-03250	1	17
	95	17
172498-12250	5	5
172511-17351	14	9
172519-03150	1	6
	95	6
172519-63240	27	4
		5
	37	21
172524-17330	13	6 -1
172527-17101	13	1 -2

Parts No.	Fig. No.	Ref. No.
172614-16520	24	23
	73	13
		24
172638-06710	7	17
172638-72200	43	25
	47	7
172638-72201	43	25 -1
	47	7 -1
172645-76570	71	18
172649-65770	40	8
172652-64220	38	9
172653-73200	5	9 -1
172725-16160	10	2
172730-05250	28	1
172730-75141	63	1
	64	1
	91	1
172A20-72430	43	34
172A23-38210	98	12
172A23-38220	98	13
172A23-38230	98	14
172A23-64770	38	11
172A23-72043	43	3
	44	2
	45	2
172A23-72052	43	4
	44	3
	45	3
172A23-72081	43	7
	44	5
	45	5
172A23-72951-1	43	43
172A23-72951-N	43	43 -1
172A23-73110	90	2
172A29-03910	88	34
172A29-62900	8	8
172A36-03411	1	33
	2	11
	40	22 D
	95	33
172A36-74690	59	1
172A36-74750	59	7
172A36-74780	59	8
172A37-03150	88	2
172A37-03160	88	3
172A37-03180	88	4
172A37-03220	88	5
172A37-03231	88	7
172A37-03241	88	8
172A37-03250	88	9

Parts No.	Fig. No.	Ref. No.
172A37-03271	88	11
172A37-03280	88	12
172A37-03290	88	14
172A37-03300	88	15
172A37-03330	88	17
172A37-03350	88	18
172A37-03360	88	20
172A37-03370	88	21
172A37-03400	88	24
172A37-03410	88	25
172A37-03430	88	26
172A37-03500	88	29
172A37-03710	88	31
172A37-03720	88	32
172A37-03730	88	33
172A38-03201	1	10
	95	10
172A38-03211	1	12
	95	12
172A46-46500	27	2
172A46-46530	27	3
172A46-64180	38	6 A
172A46-64190	38	6 B
172A46-64200	38	6
172A46-72070	43	6
	44	4
	45	4
172A46-78500	73	22
172A47-03410	1	52
	2	24
	95	52
172A47-44200	21	1
172A47-44230	21	2
172A47-46230	20	5
172A47-46310	20	6
172A47-46343	20	18
172A47-46344	20	18 -1
172A47-63110	37	19
172A47-63121	37	20
172A47-63610	37	19 -1
172A47-63620	37	20 -1
172A47-72840	43	56 -1
	44	36 -1
	45	38 -1
172A47-74360	57	4 -1
172A47-75450	52	17 -1
172A47-76230	71	14
172A47-76310	73	4
172A47-77800	75	1
172A47-77820	75	3



## Parts No. Index

Parts No.	Fig. No.	Ref. No.
172A55-03310	1	22
172A55-03590	1	44
172A55-03591	1	44 -1
	95	44
172A55-13700	6	9
172A55-99451	80	10
172A64-03010	88	1
172A64-03050	1	60
	40	4 A
172A64-03130	1	2
172A64-03140	1	3
172A64-03150	1	4
172A64-03180	1	9
	95	9
172A64-03211	1	13
	95	13
172A64-03220	88	6
172A64-03230	1	2 -1
172A64-03240	1	3 -1
172A64-03270	1	18
	95	18
172A64-03280	88	13
172A64-03380	1	30
	2	8
	40	22 A
	95	30
172A64-03390	88	22
172A64-03400	40	4 A-1
	95	55
172A64-03470	95	3
172A64-03560	1	43
	2	18
	41	13 H
	95	43
172A64-03570	88	30
172A64-03600	1	53
	95	53
172A64-03700	1	8 -1
	95	8
172A64-03790	95	4
172A64-08220	1	1 -1
172A64-08221	95	1
172A64-08320	1	1
172A64-08350	62	1
172A64-08370	8	25
172A64-08400	82	1
172A64-08450	83	1
172A64-08610	84	19
172A64-08640	96	32
172A64-08660	38	17

Parts No.	Fig. No.	Ref. No.
172A64-11310	3	1
172A64-11330	3	4
172A64-11340	3	5
172A64-11520	4	7
172A64-11530	4	8
172A64-11531	4	8 -1
172A64-12100	5	1
172A64-12140	5	2
172A64-12180	5	3
172A64-12181	5	3 -1
172A64-12200	5	4
172A64-13100	6	2
172A64-13110	6	3
172A64-13120	6	4
172A64-13150	6	5
172A64-13160	6	6
172A64-13190	7	1
172A64-13210	7	2 A
172A64-13220	7	2 C
172A64-13230	7	2 D
172A64-13310	7	3
172A64-13320	7	4
172A64-13360	7	10
172A64-13400	7	13
172A64-13510	7	14
172A64-13520	7	15
172A64-13680	7	18
172A64-13700	7	16
172A64-13760	7	20
172A64-13770	7	21
172A64-13780	7	22
172A64-13790	7	23
172A64-14110	8	1
172A64-14111	8	1 -1
172A64-14200	8	10
172A64-14230	8	12
172A64-14250	9	5
172A64-14260	9	6
172A64-14400	8	15 -1
172A64-14410	8	15
172A64-16101	11	1
172A64-16120	11	3 -1
172A64-16131	11	15
172A64-16501	11	4
172A64-16502	11	4 -1
172A64-16530	12	1 -2
172A64-16551	12	1
172A64-16552	12	1 -1
172A64-17120	12	10
172A64-17121	12	10 -1

Parts No.	Fig. No.	Ref. No.
172A64-17210-1	15	2
172A64-17210-Y	15	2 -1
172A64-17250	13	7
172A64-29100	16	1
172A64-29110	85	1
172A64-37100	17	3
172A64-37120	17	4
		30
172A64-37130	17	5
		31
172A64-37140	17	6
		32
172A64-37200	17	1
172A64-37210	17	2
172A64-37230	17	28
172A64-37240	17	29
172A64-37310	85	3
172A64-37400	93	1
172A64-37420	93	3
172A64-37450	94	1
172A64-37470	94	3
172A64-37500	16	11
172A64-37510	85	11
172A64-38010	98	2
172A64-38030	98	7
172A64-38100	98	1
172A64-38600	18	1
172A64-45100	21	5
172A64-45101	21	5 -1
172A64-45130	21	8
172A64-45131	21	8 -1
172A64-45200	21	11
172A64-45250	14	1
172A64-45280	24	1
172A64-45290	26	3
172A64-45310	14	1 A
172A64-45320	14	1 B
172A64-45420	28	2
172A64-45421	28	2 -1
172A64-45422	28	2 -2
172A64-45580	28	3
172A64-45600	61	1
172A64-45650	24	5
	26	8
172A64-45690	22	1
172A64-45700	22	2
172A64-45800	23	2
172A64-45840	23	3
172A64-45850	23	4
172A64-45900	25	2

Parts No.	Fig. No.	Ref. No.
172A64-46100	20	1
172A64-46101	20	1 -1
172A64-46210	20	4
172A64-46210-N	20	4 -1
172A64-46450	19	3
172A64-46451	19	3 -1
172A64-46470	19	4
172A64-50200	29	1
	92	1
172A64-50201	29	1 -1
	92	1 -1
172A64-50400	29	2
	92	2
172A64-50401	29	2 -1
	92	2 -1
172A64-50402	92	2 -2
172A64-50410	29	3
	92	3
172A64-50411	29	3 -1
	92	3 -1
172A64-50412	92	3 -2
172A64-50630	29	2 -2
172A64-50631	29	2 -3
172A64-50640	29	3 -2
172A64-50641	29	3 -3
172A64-50700	29	4
	92	4
172A64-50701	29	4 -1
	92	4 -1
172A64-50720	48	1
172A64-50730	48	2
172A64-50770	48	3
172A64-50810	29	8
	92	8
172A64-50820	29	9
	92	9
172A64-50830	29	10
	92	10
172A64-50840	29	11
	92	11
172A64-50950	29	15
	92	15
172A64-53300	30	1
172A64-53400	84	20
172A64-53460	84	23
172A64-54100	30	2
172A64-54150	41	1
172A64-54230	30	6
172A64-57620	30	13 A
172A64-57630	30	13 B

## Parts No. Index

Parts No.	Fig. No.	Ref. No.
172A64-61260	35	8
172A64-61260-Y	35	8 -1
172A64-61310	32	1
172A64-61340	32	2
172A64-61350	32	3
172A64-61360	32	4
172A64-61400-1	35	1
172A64-61400-Y	35	1 -1
172A64-61450	35	3
172A64-61460	35	4
172A64-61470	35	10
172A64-61490	35	4 A
172A64-61500	31	2
172A64-61510	31	3
172A64-61520	31	4
172A64-61550-1	33	1
172A64-61550-Y	33	1 -1
172A64-61610	34	2
172A64-61610-N	34	2 -1
172A64-61630	34	3
172A64-61630-N	34	3 -1
172A64-61660	34	4
172A64-61660-N	34	4 -1
172A64-61700	34	8
172A64-61700-N	34	8 -1
172A64-61710	34	9
172A64-61710-N	34	9 -1
172A64-61820	34	10
172A64-61850	34	11
172A64-61850-N	34	11 -1
172A64-62100	36	1
172A64-62120	36	3
172A64-62130	36	4
172A64-62270	36	6
172A64-64040	96	4
172A64-64060	96	5
172A64-64070	96	3
172A64-64080	96	6
172A64-64090	96	7
172A64-64120	38	4
	96	27
172A64-64130	38	3
172A64-64130-N	38	3 -1
172A64-64180	38	18
172A64-64200	39	1
172A64-64201	39	1 -1
172A64-64202	39	1 -2
172A64-64202-N	39	1 -3
172A64-64710	39	11
172A64-64710-N	39	11 -1

Parts No.	Fig. No.	Ref. No.
172A64-64730	39	12
172A64-64730-N	39	12 -1
172A64-64800	38	12
172A64-64800-N	38	12 -1
	97	5
172A64-64820	38	13
172A64-64820-N	38	13 -1
	97	6
172A64-64850-N	96	26
172A64-64910	39	5
		8 -1
172A64-64920	39	6
172A64-64930	39	7
172A64-64940	39	8
172A64-64950	39	9
172A64-64960	39	10
172A64-64970	96	29
172A64-65100-1	40	4
172A64-65160	40	6
172A64-65170	40	7
172A64-65180	40	9
172A64-65200	40	10
172A64-65250	40	11
172A64-65580	40	4 -1
172A64-65581	40	4 -2
172A64-65600	40	4 B
172A64-66280	41	2
172A64-66290	41	2 -1
172A64-66290-N	41	2 -2
172A64-67160	38	19
172A64-68250	41	6
172A64-68290	84	25
172A64-70110	48	10 -1
172A64-70140	47	7 -2
172A64-70170	46	21 -1
172A64-71100	42	1
172A64-71101	42	1 -1
172A64-71210	42	2
172A64-71211	42	2 -1
172A64-71212	42	2 -2
	90	63
172A64-71300	90	64
172A64-72020	47	2
172A64-72030	43	9
172A64-72040	45	7
	48	5
172A64-72050-1	43	5
172A64-72051-1	43	5 -1
172A64-72051-N	43	5 -2
172A64-72100-1	43	8

Parts No.	Fig. No.	Ref. No.
172A64-72100-N	43	8 -1
172A64-72110-1	43	16
172A64-72110-N	43	16 -1
172A64-72150	43	20
172A64-72190	43	18
		22
172A64-72200-1	43	24
172A64-72200-N	43	24 -1
172A64-72230	43	28
172A64-72240	43	32 -1
172A64-72250-1	43	42
172A64-72251-1	43	42 -1
172A64-72251-N	43	42 -2
172A64-72300-1	44	6
172A64-72300-N	44	6 -1
172A64-72310-1	44	13
172A64-72310-N	44	13 -1
172A64-72350	44	20
172A64-72390	44	24
172A64-72400-1	45	6
172A64-72400-N	45	6 -1
172A64-72410-1	45	15
172A64-72410-N	45	15 -1
172A64-72440	45	19
172A64-72450	45	20
172A64-72490	45	24
	47	10
	48	13
172A64-72500	46	1
172A64-72510	46	8
172A64-72540	46	12
172A64-72541	46	12 -1
172A64-72550	46	13
172A64-72601	47	1
172A64-72610	47	11
172A64-72640	47	15
172A64-72641	47	15 -1
172A64-72651	47	16
172A64-72690	47	25
172A64-72700	48	4
172A64-72710	48	15
172A64-72750	48	16
172A64-72810	48	17
172A64-72860	48	20
172A64-72861	48	20 -1
172A64-72900-1	44	33
172A64-72901-1	44	33 -1
172A64-72901-N	44	33 -2
172A64-72950-1	45	33
172A64-72951-1	45	33 -1

Parts No.	Fig. No.	Ref. No.
172A64-72951-N	45	33 -2
172A64-72980-1	44	34
	45	34
172A64-72980-N	44	34 -1
	45	34 -1
	42	7
172A64-73100	90	1
172A64-73210	90	9
172A64-73220	90	11
172A64-73230	90	12
172A64-73240	90	18
172A64-73241	90	18 -1
172A64-73260	90	31
172A64-73300	49	1
172A64-73310	50	1
172A64-73350	49	2
172A64-73360	49	3
172A64-73380	49	6
172A64-73390	49	7
172A64-73400	49	8
172A64-73410	49	9
172A64-73420	49	10
172A64-73430	49	11
172A64-73440	49	4
172A64-73450	49	12
172A64-73460	49	13
172A64-73500	49	17
172A64-73510	49	15
172A64-73520	49	16
172A64-73600	50	9
172A64-73610	50	10
172A64-73620	50	11
172A64-73630	50	12
172A64-73640	50	13
172A64-73660	50	30
172A64-73700	62	2
172A64-73770	62	3
172A64-73780	62	4
172A64-73790	89	1
172A64-73800	89	2
172A64-73810	89	3
172A64-73840	89	6
172A64-73850	89	7
172A64-73860	89	9 -1
172A64-73870	89	10
172A64-73880	89	9
172A64-73890	89	15
172A64-74100	52	1
172A64-74110	58	1
172A64-74120	58	2

## Parts No. Index

Parts No.	Fig. No.	Ref. No.
172A64-74130	58	13
172A64-74140	58	14
172A64-74150	57	1
172A64-74160	57	2
172A64-74170	57	3
172A64-74190	57	5
172A64-74200	56	1
172A64-74210	56	2
172A64-74220	56	6
172A64-74230	56	17
172A64-74240	56	19
172A64-74250	56	24
172A64-74260	55	1
172A64-74270	55	7
172A64-74280	55	13
172A64-74290	55	15
172A64-74300	55	21
172A64-74310	60	2
172A64-74320	60	20
172A64-74350	54	1
172A64-74360	53	6
	54	6
172A64-74370	54	14
172A64-74380	54	15
172A64-74390	53	1
172A64-74400	53	14
172A64-74410	53	16
172A64-74420	53	23
172A64-74430	52	2
172A64-74440	52	3
172A64-74450	52	5
172A64-74460	52	7
172A64-74470	52	14
172A64-74480	54	22
172A64-74490	57	19
172A64-74590	60	6
		25
172A64-74600	60	7
		26
172A64-74610	60	8
		27
172A64-74620	60	9
		28
172A64-74630	60	10
		29
172A64-74640	60	11
		30
172A64-74650	60	12
		31
172A64-74660	60	13

Parts No.	Fig. No.	Ref. No.
172A64-74660	60	32
172A64-74670	60	33
172A64-74680	60	14
		34
172A64-74800	61	2
172A64-74840	86	3
172A64-74860	86	4
172A64-74900	60	15
		35
172A64-74910	60	16
		36
172A64-74920	60	17
172A64-74930	60	18
		38
172A64-74940	60	39
172A64-74950	60	37 -1
172A64-76101	64	2
172A64-76110	69	1 -1
172A64-76120	69	1
		1 A
172A64-76140	69	2
172A64-76160	71	4
172A64-76180	43	35 -2
	44	29 -2
	45	29 -2
172A64-76250	72	1
172A64-76260	72	3
172A64-76600-1	72	4
172A64-76600-Y	72	4 -1
172A64-76630-1	72	5
172A64-76630-Y	72	5 -1
172A64-77800	75	2
172A64-78020	91	12
172A64-78030	91	13
172A64-78040	91	14
172A64-78101	63	10
172A64-78110	91	15
172A64-78120	63	11
172A64-78130	63	12
172A64-78140	63	13
172A64-78161	70	1
172A64-78170	70	2
172A64-78191	70	3
172A64-78200	70	4
172A64-78211	65	9
172A64-78212	65	9 -1
172A64-78221	73	8
172A64-78231	69	5
172A64-78250	65	10
172A64-78260	65	11

Parts No.	Fig. No.	Ref. No.
172A64-78261	65	11 -1
172A64-78270	67	8
172A64-78291	66	4
172A64-78301	66	5
172A64-78310	65	12
172A64-78330	68	1
172A64-78340	68	2
172A64-78350	65	13
172A64-78360	65	14
172A64-78371	65	15
172A64-78380	65	16
172A64-78391	66	6
172A64-78401	66	7
172A64-78411	66	8
172A64-78421	66	9
172A64-78441	64	6
172A64-78451	64	7
172A64-78460	64	9 A
172A64-78470	64	8
172A64-78481	64	9
172A64-78482	64	9 -1
172A64-78492	64	10
172A64-78501	64	11
172A64-78511	64	12
172A64-78520	64	13
172A64-78530	64	14
172A64-78551	72	12
172A64-78552	72	12 -1
172A64-78570	72	13
172A64-78580	72	14
172A64-78590	72	9
172A64-78610	65	17
172A64-78611	65	17 -1
172A64-78612	65	17 -2
172A64-78620	63	14
172A64-78621	63	14 -1
172A64-78630	73	9
172A64-78640	73	10
172A64-78651	67	9
172A64-78660	91	16
172A64-78671	73	15
172A64-78681	73	16
172A64-78700	73	11
172A64-78721	73	17
172A64-78730	73	18
172A64-78761	74	8
172A64-78810	74	9
172A64-78821	74	10
172A64-78830	74	11
172A64-78910	66	10

Parts No.	Fig. No.	Ref. No.
172A64-78920	74	20
	87	26
172A64-79111	74	12
172A64-79130	74	13
172A64-79140	74	14
172A64-79150	74	15
172A64-79160	74	16
172A64-79180	74	17
172A64-79191	74	18
172A64-79200	74	19
172A64-79270	87	10
172A64-79281	87	11
172A64-79290	87	12
172A64-79300	87	13
172A64-79310	87	14
172A64-79320	87	15
172A64-79330	87	16
172A64-79340	87	17
172A64-79350	87	18
172A64-79360	87	19
172A64-79370	87	20
172A64-79380	87	21
172A64-79390	87	22
172A64-79400	87	23
172A64-79410	87	24
172A64-79421	87	25
172A64-81100-1	77	2
172A64-81100-Y	77	2 -1
172A64-81380-1	79	1
172A64-81380-Y	79	1 -1
172A64-81410-1	79	6
172A64-81411-1	79	6 -1
172A64-81411-Y	79	6 -2
172A64-81440-1	79	7
172A64-81441-1	79	7 -1
172A64-81441-Y	79	7 -2
172A64-81500-1	78	2
172A64-81500-Y	78	2 -1
172A64-82601	77	6
172A64-82620	43	44
172A64-82641	76	4
172A64-82650	46	29
172A64-82670	46	30
172A64-82730	77	7
172A64-82760	43	45
172A64-82790	77	8
172A64-82820	78	8
172A64-82850	79	8
	80	11
172A64-82880	79	9

## Parts No. Index

Parts No.	Fig. No.	Ref. No.
172A64-82880	80	12
172A64-94050	81	18
172A64-94100	81	3
172A64-94101	81	3 -1
172A64-94250	81	4
172A64-94260	81	5
172A64-94350	81	6
172A64-94370	81	7
172A69-46270	20	7 -1
172A77-17250	37	23
172A77-17500	37	24
172A77-46050	19	1 -1
	20	17 -1
172A77-64270	38	9 -1
	97	4
172A78-46101	20	1 -3
172A78-46101-1	20	1 -2
172A78-74650	60	41
172A79-72570	43	2 -1
	44	1 -1
	45	1 -1
172A86-03310	1	22 -1
172A86-03790	95	22
172A89-64780	96	17
172A89-64800	96	18
172A89-64810	96	19
172A89-64870	96	20
172A89-64880	96	21
172A89-64950	96	12
172B02-64210	96	8
172B02-64230	96	16
172B02-64270	96	9
172B02-69040	34	1 -1
	40	1 -1
172B02-73860	89	8
172B02-73870	89	11
172B02-73880	89	12
172B02-73890	89	11 -1
172B03-03230	88	35
172B03-03930	95	54 A
172B03-03940	95	54 B
172B04-03970	95	54
172B11-74700	72	8 -3
172B16-03180	95	2
172B16-73140	90	5
172B16-73150	90	6
178076-12400	42	8
184014-59510	9	51
184014-59650	9	50
184015-59130	9	42

Parts No.	Fig. No.	Ref. No.
184015-59140	9	44
184015-59250	9	46
184015-59260	9	48
194150-01190	23	1
194151-04141	8	2
194151-04150	8	3
194151-57100	12	27
194202-56460	66	12
	73	14
194250-04301	8	4
194250-04321	8	6
194327-45640	42	65 -1
194440-51620	14	12
194464-52190	12	26
		30
	14	2
194680-51670	11	20
194940-24350	30	12
194940-64750	10	3
1A1040-43900	25	1
1A1060-48300	17	7
		34
1A1380-62160	40	2
1A6750-29850	42	19
1A7130-51130	11	4 A
1A7347-51200	11	17
1A8160-63400	38	11 -1
1A8160-63401	97	1
1C6281-52310	5	7
	21	18
	22	6
	23	5
	24	12
	26	16
1D4070-23580	19	1
	20	17
1E1271-27620	42	9
1E3030-78370	91	21
1E6140-73420	16	6
	85	6
	93	4
	94	4
1E8775-84120	42	76
	90	69
22117-080000	15	5
	21	19
	33	8
	59	9
22117-100000	63	6
	86	5

Parts No.	Fig. No.	Ref. No.
22117-100000	91	5
22137-050000	22	7
22137-060000	5	8
	12	19
22137-080000	11	7
	20	10
	21	20
	23	6
	24	13
	26	17
		18
	40	17
22137-100000	11	18
	24	14
	26	19
	38	15 -1
		15 -2
	43	37
	97	7
22137-120000	5	9
	38	15
22137-240000	59	10
22157-060000	10	4
22157-080000	33	9
22157-100000	32	5
	35	5
		12
	43	50
	77	13
	78	9
	86	6
22157-140000	30	8
22190-160002	6	10
22212-080000	90	57
22212-160000	29	5
	30	9
	92	5
22217-050000	61	3
22217-060000	59	11
22217-080000	7	32
	9	55
		56
	33	10
		11
	89	16
22217-100000	6	11
	43	51
	45	35
22217-120000	29	12
	41	7

Parts No.	Fig. No.	Ref. No.
22217-120000	92	12
22217-140000	6	12
22217-160000	30	9 -1
22217-200000	41	8
	84	26
22242-000250	17	10
		37
	90	58
22242-000300	17	11
		38
22242-000401	51	14
22242-000451	89	17
22242-000500	76	5
22252-000420	42	56
22252-000520	16	7
	85	7
	90	59
	93	5
	94	5
22252-000620	17	12
		39
22272-000070	20	11
22292-000250	42	57
22312-060120	42	58
22312-080160	42	59
22312-080200	42	3
	90	65
22351-035040	20	19
22351-050032	19	5
22351-060016	90	60
22351-060040	20	20
22372-100000	23	7
22372-140000	23	8
22417-200160	59	12
22417-200200	20	12
	40	18
22417-200250	11	8
22417-250200	24	15
	26	20
22417-400400	81	10
22487-080160	8	19
22487-080300	59	13
22857-500121	37	22
22859-500200	96	15
23000-013000	65	18
	73	12
		21
23000-060000	4	9
23001-016000	69	6
	70	5

## Parts No. Index

Parts No.	Fig. No.	Ref. No.
23001-016000	70	5 -1
23001-019000	70	5 -2
23001-025000	7	33
23001-041000	7	34
	63	15
	91	17
23080-013000	8	20
23391-020000	45	31
	46	24
	47	23
	48	21
	65	5
	74	7
23393-020000	65	6
		7
23393-030000	69	4
23394-020000	65	8
23418-060000	9	39
23491-140002	62	14
23871-010000	50	15
	51	15
	59	14
	73	5
	89	18
23871-020000	73	6
23871-030000	69	1 B
		7
23871-040000	72	10
24101-060054	42	60
24101-062054	16	8
	85	8
	93	6
	94	6
24101-062064	17	13
		40
24162-202620	42	61
24311-000060	53	27
	54	24
	56	31
24311-000100	90	28
24311-000110	42	62
24311-000120	53	10
	54	10
	55	9
		23
	56	11
	58	9
24311-000140	42	63
24311-000160	7	8
	62	15

Parts No.	Fig. No.	Ref. No.
24311-000180	52	19
	53	28
	54	25
	55	28
	56	32
24311-000210	19	6
	24	16
	25	7
	26	21
24311-000220	42	64
24311-000250	59	15
24311-000320	59	16
24311-000350	63	16 -1
	91	6
24311-000380	62	16
24311-240100	9	25
		40
24315-000070	90	15
		35
24315-000080	57	16
	64	4
	90	16
		29
		36
24315-000090	53	29
24315-000100	53	30
24315-000110	42	62 -1
	43	36
	44	30
	45	30
	52	16
	53	11
		25
	54	11
	55	10
		24
	56	12
		28
	57	17
	58	10
		22
	63	4
	67	4
	71	8
		10
		15
		24
	73	3
	74	2
		4

Parts No.	Fig. No.	Ref. No.
24315-000110	74	6
	90	37
		38
24315-000120	90	39
24315-000140	17	21
		48
	42	63 -1
	56	13
	63	7
	64	5
	67	6
		7
	71	5
		12
		19
		23
		25
		27
		29
		31
	90	30
		40
	91	20
24315-000180	63	8
	71	21
24315-000200	60	19
		40
24315-000220	42	64 -1
24315-000300	17	24
		51
24315-000440	62	5
24315-000560	89	13
24315-240100	57	18
24321-000350	63	16
24321-000700	51	7
24325-000550	90	17
		41
24325-000700	89	14
24341-000140	42	65
24341-000630	42	66
24341-000670	42	67
24421-254208	42	68
24550-030300	45	28
	47	22
	48	19
24550-035300	43	31
	44	27
	46	20
24761-020000	17	22
		49

Parts No.	Fig. No.	Ref. No.
24761-020000	20	13
	21	21
	43	38
	75	8
	79	10
	80	13
	81	11
24761-040000	24	17
	26	22
	43	39
	44	31
	78	10
	81	12
24761-050000	20	14
	30	10
	44	32
	45	32
	46	25
	77	14
26013-060122	12	20
26013-080122	14	13
26013-080162	4	10
	5	10
	7	35
		36
	12	21
	15	6
	21	22
		23
	25	8
	86	7
26013-080202	14	3
	69	3
26013-080352	51	16
26013-080552	3	7
26013-100162	3	8
	11	9
		10
		11
	43	52
	52	21
	73	7
26013-100202	6	13
	8	21
	11	16
	20	15
	26	23
	31	5
	35	6
		13

## Parts No. Index

Parts No.	Fig. No.	Ref. No.		
26013-100202	43	40		
		55 -1		
	45	37 -1		
	46	33		
	59	19		
	61	4		
	86	2		
	26013-100252	6	14	
		16	12	
		42	4	
43		53		
48		22		
63		9		
72		11		
77		15		
78		11		
81		13		
26013-100302	85	12		
	90	66		
	91	7		
	51	18		
	89	20		
	26013-100352	17	25	
			52	
		26013-120252	16	9
			28	4
			46	34
62			17	
85			9	
93			7	
94			7	
26013-120302			6	15
	39		14	
26013-120352	42		75	
	90	62		
26013-120402	50	45		
26013-120502	72	7		
		15		
26014-060122	7	2 E		
		37		
	12	22		
26014-060162	14	14		
	9	57		
	12	23		
26014-060202		28		
	12	33		
	26014-060252	12	24	
26014-080162	15	7		
	34	12		
		13		

Parts No.	Fig. No.	Ref. No.	
26014-080162	34	19	
		20	
		21	
26014-080202	11	19	
	34	22	
	26014-100202	14	15
26014-100252	31	6	
	35	7	
		14	
		38	7
		39	15
26014-100252	40	19	
		20	
	96	30	
	6	16	
	20	16	
	38	16	
		20	
	47	26	
	48	22 -1	
	96	31	
26014-100302	97	8	
	41	9	
26014-120502	72	7 -1	
26014-120552	72	15 -1	
26022-050122	8	23 -1	
	59	17	
26051-080002	3	9	
	21	24	
	24	18	
		19	
	26	24	
		25	
	38	8	
		21	
26076-100202	43	54	
	44	35	
	45	36	
26076-100252	43	54 -1	
	44	35 -1	
	45	36 -1	
26076-120252	29	13	
	30	18	
	92	13	
26076-120302	29	14	
	92	14	
26076-120352	41	10	
26076-120402	30	19	
26076-120452	30	20	
26076-120552	84	27	

Parts No.	Fig. No.	Ref. No.
26076-200502	41	12
26076-200702	84	28
26106-080202	42	69
26106-080252	96	22
26106-080302	21	3
26106-100122	31	7
26106-100162	32	6
		7
		8
	96	23
26106-100202	32	9
26106-100252	96	24
26116-060162	12	25
26116-080162	33	12
		13
26116-080252	5	11
	22	8 -1
26116-080254	5	11 -1
	22	8
	24	20
	26	26
26116-080404	21	25
26116-080452	7	38
26116-080604	26	27
26116-080652	9	54
		58
26116-100202	43	55
	45	37
26116-100352	38	10 -1
	97	9
26116-100552	79	11
	80	14
26116-120252	41	11
26116-121302	76	6
26116-160602	30	11
26347-080002	23	9
26347-100002	34	23
	40	21
26366-080002	3	10
	26	28
26367-100002	8	22
26450-050102	53	12
	54	12
	55	11
		25
	56	14
	58	11
26450-050182	53	13
	54	13
	55	12

Parts No.	Fig. No.	Ref. No.
26450-050182	55	26
		56
		58
26450-050452	61	5
26450-060162	43	56
		44
		45
		38
		59
		18
26450-080252	42	70
26450-080352	42	71
26450-100252	16	2
	49	14
	85	2
26450-100352	42	6
	90	68
26450-100452	42	72
26557-040082	39	16
26557-050122	8	23
26559-050202	96	25
26711-080002	90	61
26716-060002	10	5
26716-080002	5	12
	11	12
	15	8
	24	21
	26	29
	52	20
26716-100002	6	17
	38	14 -1
	42	73
	79	12
	80	15
	97	10
26716-160002	29	6
	92	6
26736-140002	6	18
26756-080002	21	26
	22	9
26756-100002	21	27
26756-120002	5	13
	76	7
26757-080002	26	30
26776-180002	12	29
		31
		4
26979-100452	42	74
29420-150000	12	8
41851-000110	43	36 -1
	44	30 -1
	45	30 -1

## Parts No. Index

Parts No.	Fig. No.	Ref. No.
41851-000110	52	16 -1
	53	11 -1
		25 -1
	54	11 -1
	55	10 -1
		24 -1
	56	12 -1
		28 -1
	57	17 -1
	58	10 -1
		22 -1
		4 -1
	67	4 -1
	71	10 -1
		15 -1
		24 -1
	74	4 -1
		6 -1
	87	2
		4
	7	
	9	
	8	
41851-000140	56	13 -1
	63	7 -1
	64	5 -1
	67	7 -1
	71	25 -1
		27 -1
	91	9
41851-000180	63	8 -1
	91	10
772448-82530-3	80	20
772A64-37300-2	16	3
933110-00301	13	6
933110-54100	21	28
	22	10
	23	10
	24	22
	26	31
	26	31
933125-59600	43	41
	47	24
933126-38600	17	26
		53
933147-03400	43	57
	45	39
933152-03700	16	10
	85	10
	93	8
	94	8

Parts No.	Fig. No.	Ref. No.
933160-06711	77	16
	78	12
	79	13
	80	16
	81	14
933168-14170	43	58
	45	40
933168-55770	7	27
	9	4
		8
		12
		45
	49	
	53	
	11	13
	12	34
	14	16
	15	9
	73	23
	74	22
	87	28
933170-01490	5	14
933171-13691	17	27
		54
933171-15801	11	14

Parts No.	Fig. No.	Ref. No.
-----------	----------	----------

Parts No.	Fig. No.	Ref. No.
-----------	----------	----------

Go to Discount-Equipment.com to order your parts

# PARTS FINDER

**Search Website  
by Part Number**



**Search Manual  
Library For Parts  
Manual & Lookup Part  
Numbers – Purchase  
or Request Quote**

**Search Manuals**

Enter your information to help us find the right parts manual for your machine.

\* Brand:

\* Model:

\* Serial:

\* Part Number:

SEARCH

**Can't Find Part or  
Manual? Request Help  
by Manufacturer,  
Model & Description**

**Parts Order Form**

Please fill in the following information to help us find the right part for your machine.

Manufacturer:	<input type="text"/>
Model:	<input type="text"/>
Description:	<input type="text"/>
Part Number:	<input type="text"/>
Quantity:	<input type="text"/>
Notes:	<input type="text"/>

Submit

Discount-Equipment.com is your online resource for quality parts & equipment.

Florida: **561-964-4949** Outside Florida TOLL FREE: **877-690-3101**

**Need parts?**

Click on this link: <http://www.discount-equipment.com/category/5443-parts/> and choose one of the options to help get the right parts and equipment you are looking for. Please have the machine model and serial number available in order to help us get you the correct parts. If you don't find the part on the website or on one of the online manuals, please fill out the request form and one of our experienced staff members will get back to you with a quote for the right part that your machine needs.

We sell worldwide for the brands: Genie, Terex, JLG, MultiQuip, Mikasa, Essick, Whiteman, Mayco, Toro Stone, Diamond Products, Generac Magnum, Airman, Haulotte, Barreto, Power Blanket, Nifty Lift, Atlas Copco, Chicago Pneumatic, Allmand, Miller Curber, Skyjack, Lull, Skytrak, Tsurumi, Husquvarna Target, Stow, Wacker, Sakai, Mi-T-M, Sullair, Basic, Dynapac, MBW, Weber, Bartell, Bennar Newman, Haulotte, Ditch Runner, Menegotti, Morrison, Contec, Buddy, Crown, Edco, Wyco, Bomag, Laymor, EZ Trench, Bil-Jax, F.S. Curtis, Gehl Pavers, Heli, Honda, ICS/PowerGrit, IHI, Partner, Imer, Clipper, MMD, Koshin, Rice, CH&E, General Equipment, Amida, Coleman, NAC, Gradall, Square Shooter, Kent, Stanley, Tamco, Toku, Hatz, Kohler, Robin, Wisconsin, Northrock, Oztec, Toker TK, Rol-Air, APT, Wylie, Ingersoll Rand / Doosan, Innovatech, Con X, Ammann, Mecalac, Makinex, Smith Surface Prep, Small Line, Wanco, Yanmar