

YANMAR

PARTS CATALOG



www.discount-equipment.com

0CS10-G49500

Last update May., 2013

Go to Discount-Equipment.com to order your parts

PARTS FINDER

**Search Website
by Part Number**



**Search Manual
Library For Parts
Manual & Lookup Part
Numbers – Purchase
or Request Quote**

**Can't Find Part or
Manual? Request Help
by Manufacturer,
Model & Description**

Discount-Equipment.com is your online resource for quality parts & equipment.

Florida: **561-964-4949** Outside Florida TOLL FREE: **877-690-3101**

Need parts?

Click on this link: <http://www.discount-equipment.com/category/5443-parts/> and choose one of the options to help get the right parts and equipment you are looking for. Please have the machine model and serial number available in order to help us get you the correct parts. If you don't find the part on the website or on one of the online manuals, please fill out the request form and one of our experienced staff members will get back to you with a quote for the right part that your machine needs.

We sell worldwide for the brands: Genie, Terex, JLG, MultiQuip, Mikasa, Essick, Whiteman, Mayco, Toro Stone, Diamond Products, Generac Magnum, Airman, Haulotte, Barreto, Power Blanket, Nifty Lift, Atlas Copco, Chicago Pneumatic, Allmand, Miller Curber, Skyjack, Lull, Skytrak, Tsurumi, Husquvarna Target, Stow, Wacker, Sakai, Mi-T-M, Sullair, Basic, Dynapac, MBW, Weber, Bartell, Bennar Newman, Haulotte, Ditch Runner, Menegotti, Morrison, Contec, Buddy, Crown, Edco, Wyco, Bomag, Laymor, EZ Trench, Bil-Jax, F.S. Curtis, Gehl Pavers, Heli, Honda, ICS/PowerGrit, IHI, Partner, Imer, Clipper, MMD, Koshin, Rice, CH&E, General Equipment, Amida, Coleman, NAC, Gradall, Square Shooter, Kent, Stanley, Tamco, Toku, Hatz, Kohler, Robin, Wisconsin, Northrock, Oztec, Toker TK, Rol-Air, APT, Wylie, Ingersoll Rand / Doosan, Innovatech, Con X, Ammann, Mecalac, Makinex, Smith Surface Prep, Small Line, Wanco, Yanmar

P R E F A C E

1. This Parts Catalog carries Yanmar excavator (crawler back-hoe) VI017 for U.S.A., Australia and New Zealand.

2. Parts catalog history

		Parts catalog NO.	Published	Remarks
1st edition	Vehicle	000Y00S4950	Jul., 2007	
	Engine	000Y00B7530		

3. Model name

SECTION	Column	Model name	M/#	Manufactured
I (Vehicle)	(A)	VI017 P(US)	00504	2007/08
	(B)	VI017 P(AS)	00519	2007/07
	(C)	VI017 P(NZ)	00514	2007/08
II (Engine)	(A)	3TNV70-XBV	15876	2007/05

4. Your understanding is asking that this parts catalog is not a technical data manual setting forth as servicing procedures, This parts catalog is using simplified illustration.

Be sure to use Yanmar Genuine Parts in your maintenance servicing of Yanmar products. Be careful not to use the simple parts available in the market, otherwise their use in repairing causes such as an early breakage, for instance.

Directions for the Parts Catalog.

- The parts stipulated in this Parts Catalog are not necessarily standard equipped parts.
- Parts may change without prior notice.
- The following is an example of the Parts Catalog format.

REF.	LEV.	PARTS NO.	DESCRIPTION	Q'TY						I	R
				(A)	(B)	(C)	(D)	(E)	(F)		
1	1	729595-51390	FUEL INJECTION PUMP	1	1	1	1	1			1
1-1	1	729595-51391	FUEL INJECTION PUMP	1	1	1	1	1		N	1
		(A=E00185) (B=E00200)									
3	2	26022-060162	SCREW M 6X 16	9	9	9	9	9			
3-1	2	26022-060162	SCREW M 6X 16	4	4	4	4	4		K	
		(A=E00156) (B=E00156) (C=E00156) (D=E00156) (E=E00156)									
4	2	129470-51040	CAMSHAFT	1	1	1	1	1			
5	2	122710-51050	BEARING, ROLLER	2	2	2	2	2			
6	2	129470-51060	RETAINER	1	1	1	1	1			

Remarks
(1) BOOST COMPEMSATOR TYPE. OPTIONAL PART, TO E00155,(4JH-DT, 4JH-DTZ

① Ref. No.

The Ref. No. listed may not be in accordance with the illustration Ref. No.

(Ex.) Illustration No. List Ref No.

1 1 (Before change) → 1-1 (After change)

For interchangeable symbols N, R and K, illustrations for new parts may be abbreviated.

② Lev. (Level)

Level indication

The numbers below indicate the level of relativity towards the main part.

1 ---- Main parts (Assembly parts)

2 ---- Sub component included in " 1 ".

3 ---- Sub component included in " 2 ".

Note) Parts that are not for sale are partially illustrated but not listed.

③ Interchangeability Mark

When a part change takes place, one of the following interchangeability symbols is indicated beside the part.

Symbol	Interchangeability	Contents note
N	Old $\begin{matrix} \leftarrow \text{Yes} \\ \text{No} \rightarrow \end{matrix}$ New	New Part is interchangeable for Old Part but Old Part is not interchangeable for New Part.
Q	Old $\begin{matrix} \leftarrow \text{No} \\ \text{Yes} \rightarrow \end{matrix}$ New	New Part is not interchangeable for Old Part but Old Part is interchangeable for New Part.
R	Old $\begin{matrix} \leftarrow \text{Yes} \\ \text{Yes} \rightarrow \end{matrix}$ New	New/ Old Parts are both interchangeable.
S	Old $\begin{matrix} \leftarrow \text{No} \\ \text{No} \rightarrow \end{matrix}$ New	New/ Old Parts are both not interchangeable.
W		Part newly added.
Z		Part discontinued.
F		Not interchangeable by a single part but interchangeable together with related parts.
K		Changes only for used parts quantities.

④ Effective Machine No.

When a part changes, the effective Machine No. will be indicated in the (A)-(F) column.

Product Symbol	Product No.	Product Symbol	Product No.
C	Clutch No. Compressor No.	F	Machine No. (Agricultural Equip.)
D	Drive No.	M	Machine No.
E	Engine No.		

Note 1) A date may follow the symbol. (Ex.) 1996.01

Note 2) "XXXXX" and "ZZZZZ" are for parts that could not be predicted or for engine models that could not be identified.

Note 3) (A=E00185) is the E (Engine Serial Number) for the column (A) model (in this case 4JH-DT) after the parts design change.

⑤ Remarks Mark

Figures or alphabets (symbols) are entered in the remarks column.

The comments (remarks) on parts that are indicated at the bottom of the illustration are the same symbols as those stated above.

PICTURESQUE INDEX (1) . . . MAIN PARTS

LABEL Fig. 1
SAFETY LABEL Fig. 2

SILENCER Fig. 3
AIR CLEANER Fig. 4
ENGINE MOUNT Fig. 6
RADIATOR & MOUNT Fig. 7
FUEL TANK Fig. 8
FUEL LINE Fig. 9

ARM CYLINDER Fig. 44

TRAVEL ALARM Fig. 14

BOOM Fig. 77

CANOPY (ROPS) Fig. 41

HYD. OIL PIPING Fig. 63~72

WORK LAMP Fig. 15

SEAT & SEAT BELT Fig. 38

BUCKET CYLINDER Fig. 45



BUCKET Fig. 80

BONNET Fig. 40

ARM Fig. 78

ACCELERATOR LEVER Fig. 5



ARM REST Fig. 27
INSTRUMENT PANEL Fig. 37
REMOTE CONTROL VALVE Fig. 60
CONTROL PIPING Fig. 73, 74

BUCKET ARM & LINK Fig. 79

BOOM CYLINDER Fig. 43



SWING CYLINDER Fig. 46

TRAVEL MOTOR Fig. 49

BOOM BRACKET Fig. 76

SPROCKET & ROLLER Fig. 16
IDLER & ADJUST Fig. 17
CRAWLER Fig. 18
TRACK FRAME Fig. 29
VARIABLE LEG WIDEN/SHORTEN
CYLINDER Fig. 48



BALDE Fig. 81

BATTERY Fig. 10
ELECTRIC PART Fig. 11~13
SEAT MOUNT Fig. 39

BLADE CYLINDER Fig. 47

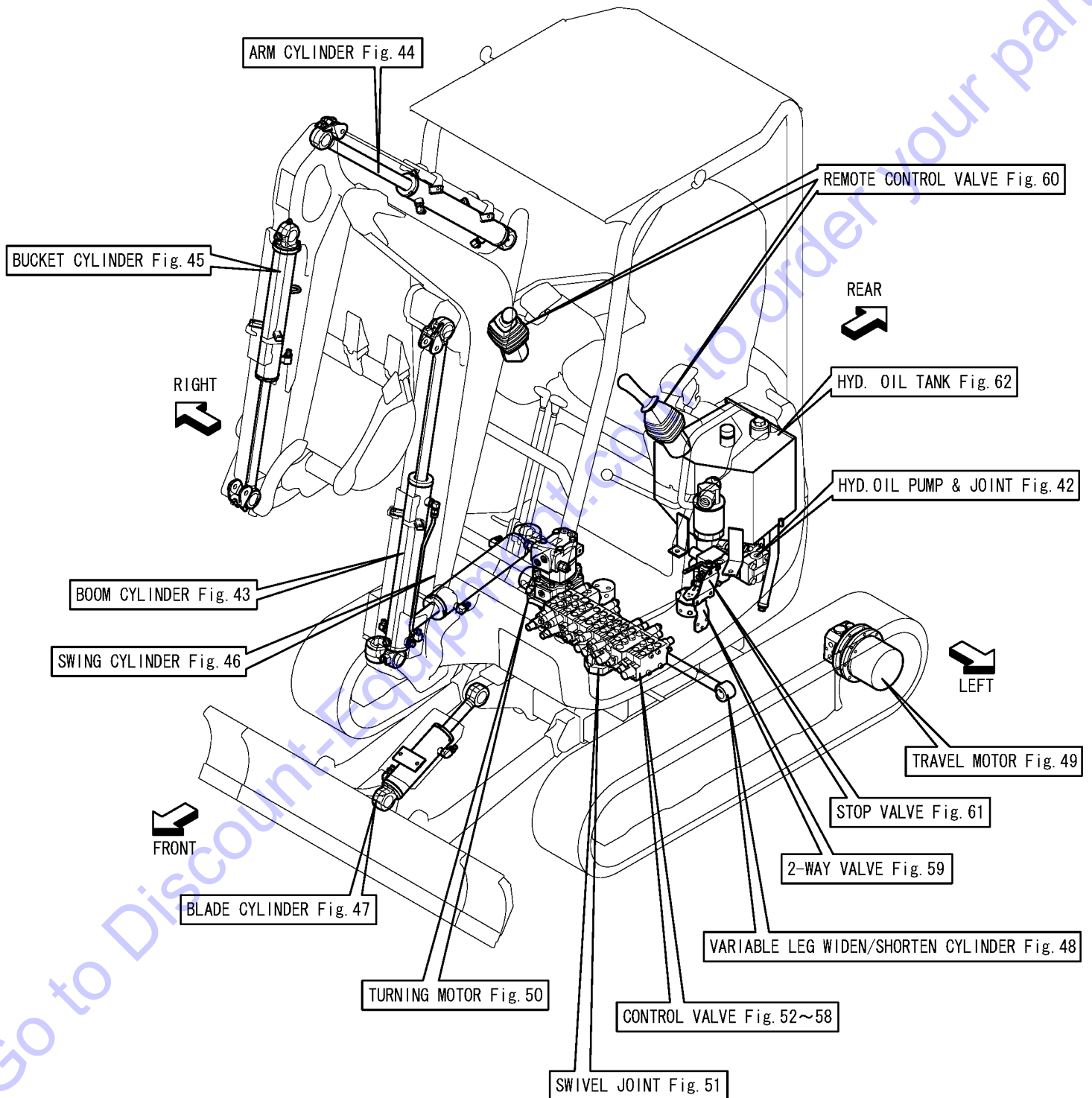
CONTROL EQUIPMENT Fig. 19~26
CONTROL VALVE PALTE Fig. 28
CONTROL VALVE Fig. 52~58

TURNING FRAME & TURNING BEARING Fig. 30
COVER Fig. 31~35
STEP Fig. 36
HYD. OIL PUMP & JOINT Fig. 42
TURNING MOTOR Fig. 50

SWIVEL JOINT Fig. 51
2-WAY VALVE Fig. 59
STOP VALVE Fig. 61
HYD. OIL TANK Fig. 62
GREASING Fig. 75

PICTURESQUE INDEX (2) . . . HYDRAULIC SECTION

HYD. OIL PIPING Fig. 63~72
CONTROL PIPING Fig. 73, 74



CONTENTS

MODEL : VIO17(US,AS,NZ)

PC NO : 0CS10-G49500

Fig.No. GROUP NAME
VEHICLE VIO17(US,AS,NZ,SG)

1. LABEL
2. SAFETY LABEL
3. SILENCER
4. AIR CLEANER
5. ACCELERATOR LEVER
6. ENGINE MOUNT
7. RADIATOR & MOUNT
8. FUEL TANK
9. FUEL LINE
10. BATTERY
11. ELECTRIC PART(ENGIN)
12. ELECTRIC PART(SEAT MOUNT)
13. ELECTRIC PART(START SWITCH)
14. TRAVEL ALARM
15. WORK LAMP
16. SPROCKET & ROLLER(RUBBER CRAWLER SPEC.)
17. IDLER & ADJUST
18. CRAWLER
19. CONTROL EQUIPMENT(LOCK LEVER & STAND)(RIGHT)
20. CONTROL EQUIPMENT(LOCK LEVER & STAND)(LEFT)
21. CONTROL EQUIPMENT(TRAVEL LEVER
22. CONTROL EQUIPMENT(BLADE LEVER)
23. CONTROL EQUIPMENT(VARIABLE LEG LEVER)
24. CONTROL EQUIPMENT(SWING PEDAL)
25. CONTROL EQUIPMENT(LOW-HIGH PEDAL)
26. CONTROL EQUIPMENT(P.T.O. PEDAL)
27. ARM REST
28. CONTROL VALVE PLATE
29. TRACK FRAME

Fig.No. GROUP NAME

30. TURNING FRAME & TURNING BEARING
31. COVER(LOWER)
32. COVER(TURNING FRAME UNDER)
33. COVER(HOSE)
34. COVER(SEAT MOUNT)
35. COVER(SIDE)
36. STEP
37. INSTRUMENT PANEL
38. SEAT & SEAT BELT
39. SEAT MOUNT
40. BONNET
41. CANOPY(ROPS)
42. HYD.OIL PUMP & JOINT
43. BOOM CYLINDER
44. ARM CYLINDER
45. BUCKET CYLINDER
46. SWING CYLINDER
47. BLADE CYLINDER
48. VARIABLE LEG WIDEN / SHORTEN CYLINDER
49. TRAVEL MOTOR
50. TURNIG MOTOR
51. SWIVEL JOINT(Y SPEC.)
89. (51A)SWIVEL JOINT(N SPEC.)
52. CONTROL VALVE(1/7)
53. CONTROL VALVE(2/7)
54. CONTROL VALVE(3/7)
55. CONTROL VALVE(4/7)
56. CONTROL VALVE(5/7)
57. CONTROL VALVE(6/7)
58. CONTROL VALVE(7/7)

CONTENTS

MODEL : VIO17(US,AS,NZ)

PC NO : 0CS10-G49500

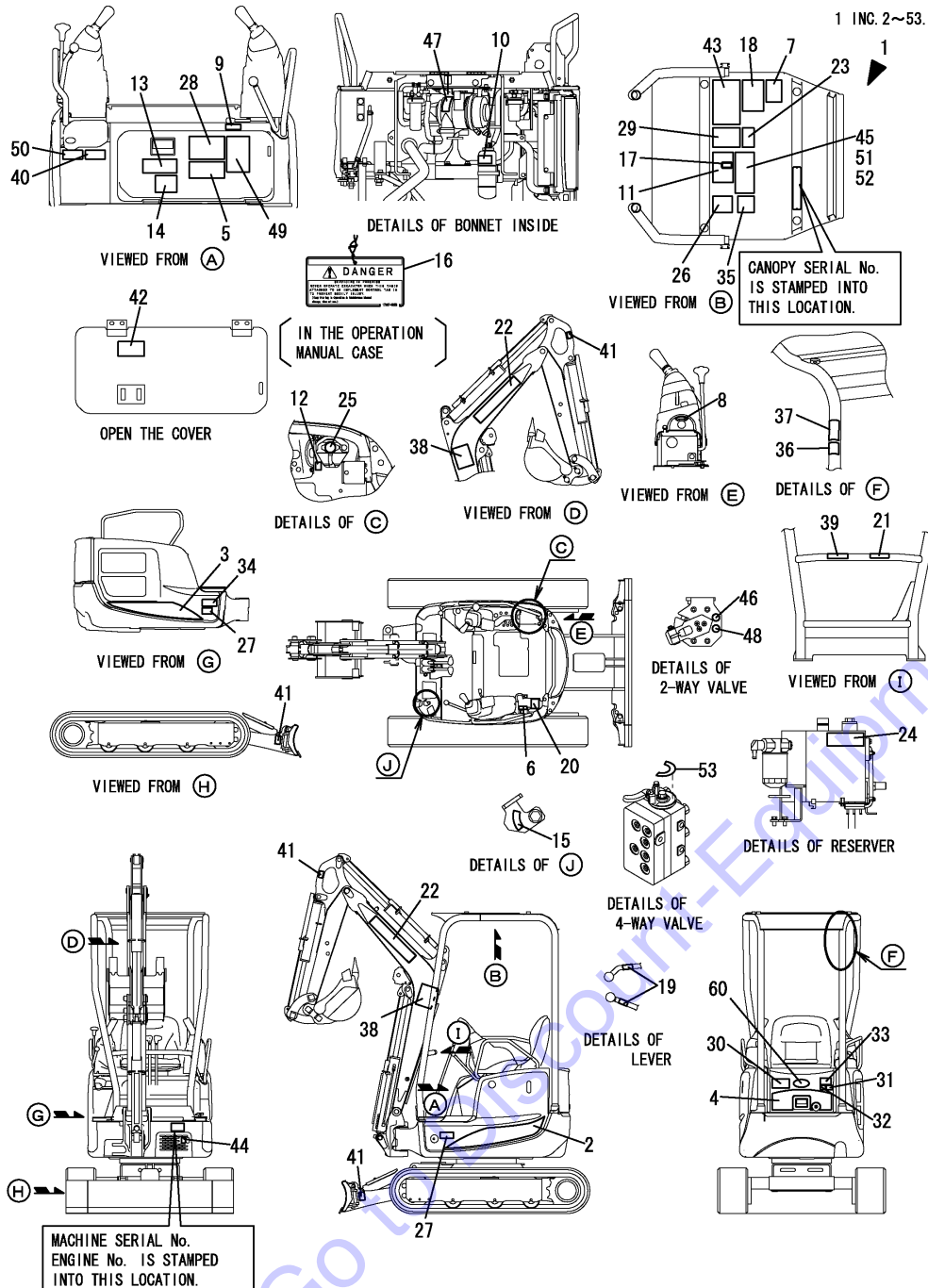
Fig.No. GROUP NAME

- 59. 2-WAY VALVE
- 60. REMOTE CONTROL VALVE
- 61. STOP VALVE
- 62. HYD.OIL TANK
- 63. HYD.OIL PIPING(PUMP)
- 64. HYD.OIL PIPING(LOWER)
- 65. HYD.OIL PIPING(SWIVEL JOINT)
- 66. HYD.OIL PIPING(IMP)
- 67. HYD.OIL PIPING(TURNING MOTOR)
- 68. HYD.OIL PIPING(SWING CYLINDER)
- 69. HYD.OIL PIPING(RESERVOIR)
- 70. HYD.OIL PIPING(RETURN)
- 71. HYD.OIL PIPING(CONTROL VALVE)
- 72. HYD.OIL PIPING(P.T.O.)
- 73. CONTROL PIPING(1)
- 74. CONTROL PIPING(2 : 2-WAY SPEC.)
- 75. GREASING
- 76. BOOM BRACKET
- 77. BOOM
- 78. ARM
- 79. BUCKET ARM & LINK
- 80. BUCKET
- 81. BLADE
- 82. SWIVEL JOINT EXCHANGE KIT
- 83. SWIVEL JOINT HOSE EXCHANGE KIT
- 84. WEIGHT KIT(OPTIONAL)
- 85. SPROCKET & ROLLER(IRON CRAWLER SPEC.)
- 86. 4-WAY VALVE
- 87. CONTROL PIPING(2 : 4-WAY SPEC.)
- 88. CA LABEL KIT(OPTIONAL)

Fig.No. GROUP NAME

Get Discount-Equipment.com to order your parts

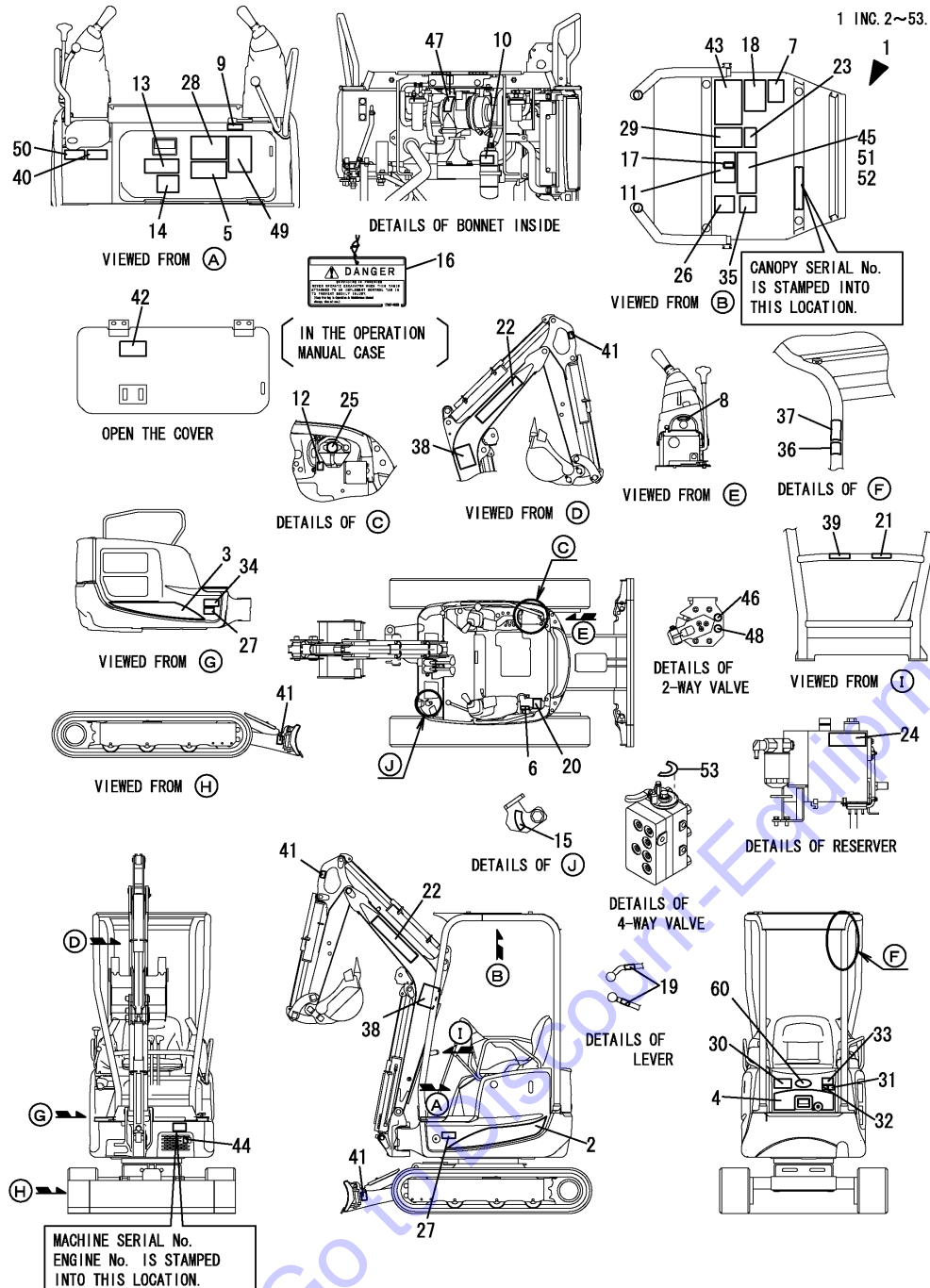
Fig.1. LABEL



(A)=VIO17(US)
 (B)=VIO17(AS)
 (C)=VIO17(NZ)
 (D)=VIO17(SG)
 (E)=
 (F)=
 Q'TY

REF.	LEV.	PARTS NO.	DESCRIPTION	Q'TY						I	R
				(A)	(B)	(C)	(D)	(E)	(F)		
1	1	172A64-08320	LABEL SET,VIO17(US)	1	1	1	1				
2	2	172A64-03130	LABEL,VIO17 LEFT	1	1	1	1				
2-1	2	172A64-03230	LABEL,MODEL L	1	1	1	1				N
3	2	172A64-03140	LABEL,VIO17 RIGHT	1	1	1	1				
3-1	2	172A64-03240	LABEL,MODEL R	1	1	1	1				N
4	2	172A64-03150	LABEL,VIO17 REAR	1	1	1	1				
5	2	172472-03141	LABEL, SUPPORT	1	1	1	1				
6	2	172519-03150	LABEL, ACCEL	1	1	1	1				
7	2	172472-03160	LABEL,GREASE	1	1	1	1				
8	2	172157-03170	LABEL, KEY SWITCH	1	1	1	1				
8-1	2	172A64-03700	LABEL, START SWITCH	1	1	1	1				N
9	2	172A64-03180	LABEL,W/S OPERATION	1	1	1	1				
10	2	172A38-03201	LABEL, SUB TANK	1	1	1	1				
11	2	172490-03200	LABEL, OPERATION	1	1	1	1				Z
12	2	172A38-03211	LABEL, ANTI-FREEZING	1	1	1	1				
13	2	172A64-03211	LABEL,SPECIFICATION	1	1	1	1				
14	2	172437-03242	LABEL, CRAWLER	1	1	1	1				
15	2	172458-03240	LABEL, LOCK	1	1	1	1				
16	2	172437-03252	TAG ASSY, CAUTION	1	1	1	1				
17	2	172496-03250	LABEL, PTO	1	1	1	1				
18	2	172A64-03270	LABEL,OIL & WATER	1	1	1	1				
19	2	172183-03280	LABEL, LOCK	2	2	2	2				
20	2	172463-03290	LABEL, HYD.OIL	1	1	1	1				
21	2	172437-03302	LABEL, MANUAL	1	1	1	1				
22	2	172A55-03310	LABEL, BRAND 450	2	2	2	2				
22-1	2	172A86-03310	LABEL,YANMAR	2	2	2	2				N
23	2	172437-03312	LABEL, SLOPE	1	1	1	1				
24	2	172437-03322	LABEL, RESEVOIR	1	1	1	1				
25	2	172462-03320	LABEL, RADIATOR	1	1	1	1				
26	2	172437-03343	LABEL, TRANSPORT	1	1	1	1				
27	2	172437-03352	LABEL, CYLINDER	2	2	2	2				
28	2	172437-03361	LABEL, BATTERY	1	1	1	1				
29	2	172437-03372	LABEL, NEUTRAL	1	1	1	1				
30	2	172A64-03380	LABEL,SWING AREA US	1	1	1	1				
31	2	172437-03391	LABEL, RADIATOR	1	1	1	1				
32	2	172437-03402	LABEL, ENGINE COVER	1	1	1	1				
33	2	172A36-03411	LABEL, ENGINE ROOM	1	1	1	1				
34	2	172437-03422	LABEL, MUFFLER	1	1	1	1				
35	2	172437-03432	LABEL, STEERING	1	1	1	1				
36	2	172437-03441	LABEL, ROPS	1	1	1	1				
37	2	172437-03451	LABEL, SEAT BELT	1	1	1	1				
38	2	172437-03461	LABEL, BOOM	2	2	2	2				
39	2	172437-03471	LABEL, LEVER LOCK	1	1	1	1				
40	2	172437-03501	LABEL, FUEL	1	1	1	1				
41	2	172437-03511	LABEL, HOOK	4	4	4	4				
42	2	172448-03540	LABEL,FUSE	1	1	1	1				

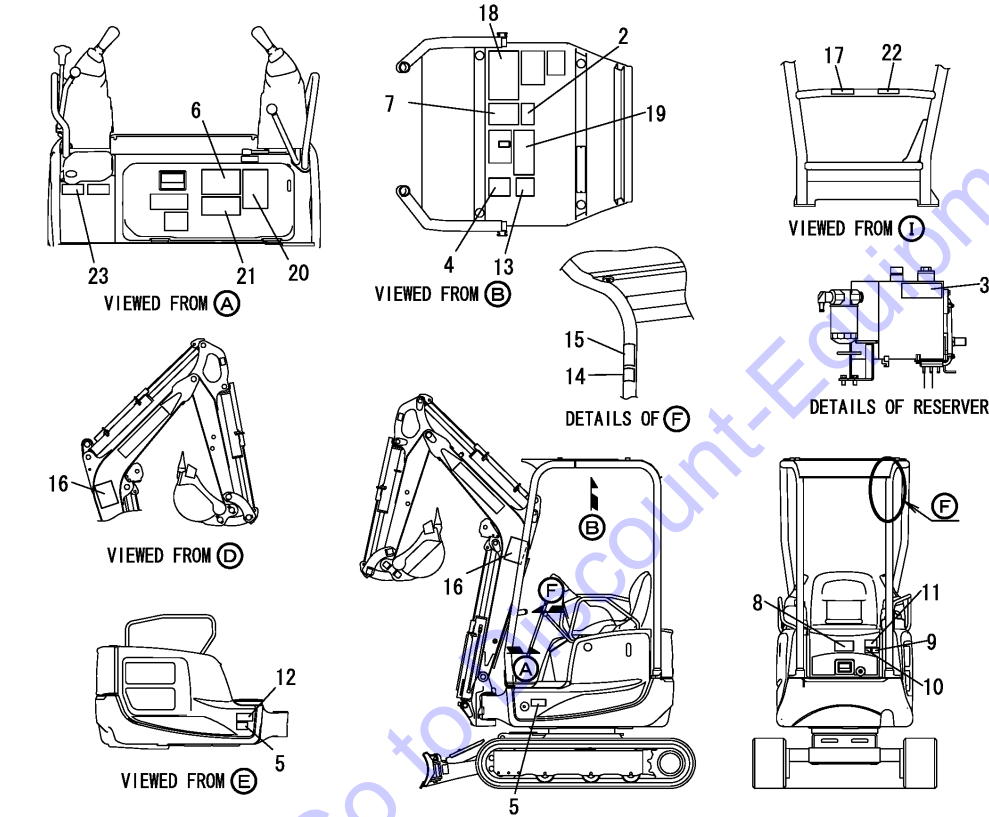
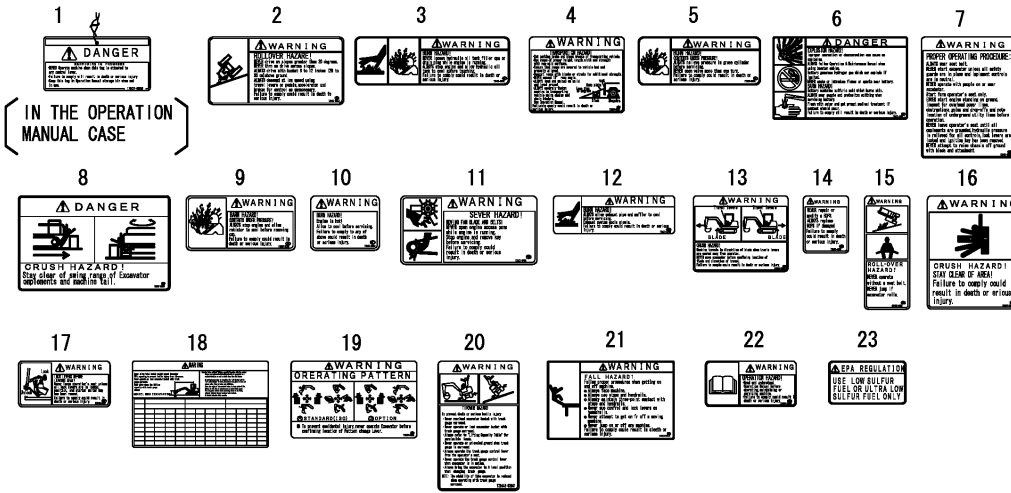
Fig.1. LABEL



(A)=VIO17(US)
 (B)=VIO17(AS)
 (C)=VIO17(NZ)
 (D)=VIO17(SG)
 (E)=
 (F)=

REF.	LEV.	PARTS NO.	DESCRIPTION	QTY						I	R
				(A)	(B)	(C)	(D)	(E)	(F)		
43	2	172A64-03560	LABEL,LIFT US	1	1	1	1				
44	2	172A55-03590	LABEL, GREASE	1	1	1	1				
45	2	172437-03601	LABEL, 2-WAY US	1	1	1					
46	2	172437-03610	LABEL	1	1	1					
47	2	172125-03951	LABEL, AIR CLEANER	1	1	1	1				
48	2	172437-03620	LABEL	1	1	1					
49	2	172446-03652	LABEL, VARIABLE US	1	1	1	1				
50	2	114110-07760	LABEL, FUEL CAUTION	1	1	1	1				W
		(A=M/# 01435) (B=M/# 01435) (C=M/# 01435) (D=M/# 01435)									
51	2	172444-03290	MAGNET								1
52	2	172A47-03410	LABEL,4 WAY US								1
53	2	172A64-03600	LABEL,MULTI SG								1
60	1	172A64-03050	EMBLEM ASSY,L1 Y	1	1	1	1				W
		(A=M07001) (B=M07001) (C=M07001) (D=M07001)									

Fig.2. SAFETY LABEL

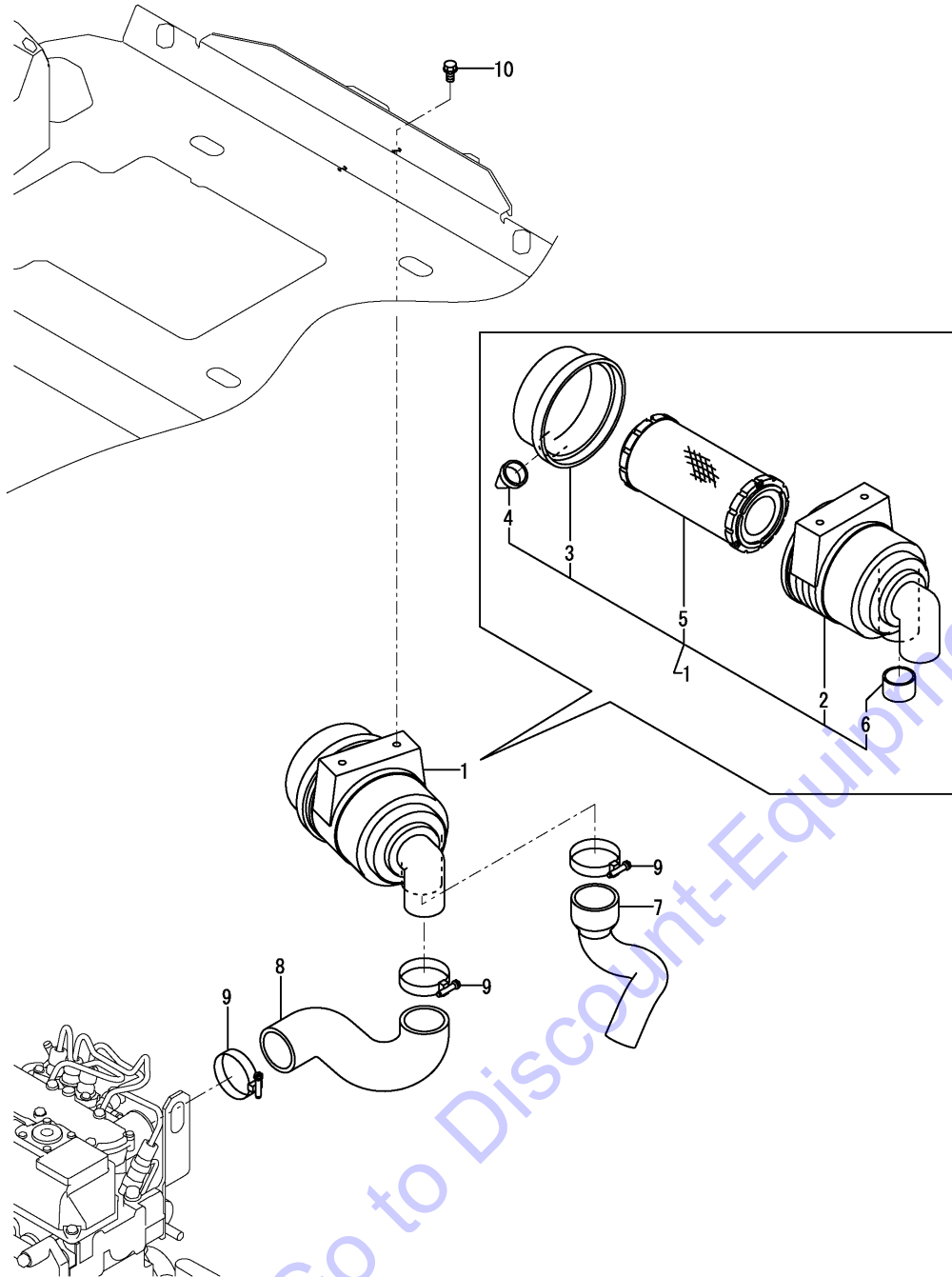


(A)=VIO17(US) (D)=VIO17(SG)
 (B)=VIO17(AS) (E)=
 (C)=VIO17(NZ) (F)=

REF.	LEV.	PARTS NO.	DESCRIPTION	QTY						I	R
				(A)	(B)	(C)	(D)	(E)	(F)		
1	1	172437-03252	TAG ASSY, CAUTION	1	1	1	1				
2	1	172437-03312	LABEL,SLOPE US	1	1	1	1				
3	1	172437-03322	LABEL, HYD.OIL TANK	1	1	1	1				
4	1	172437-03343	LABEL, TRANSPORT US	1	1	1	1				
5	1	172437-03352	LABEL, GREASE CYL.	2	2	2	2				
6	1	172437-03361	LABEL, BATTERY US	1	1	1	1				
7	1	172437-03372	LABEL, NEUTRAL US	1	1	1	1				
8	1	172A64-03380	LABEL, SWING AREA US	1	1	1	1				
9	1	172437-03391	LABEL, RADIATOR US	1	1	1	1				
10	1	172437-03402	LABEL, ENG,COVER US	1	1	1	1				
11	1	172A36-03411	LABEL, ENG ROOM	1	1	1	1				
12	1	172437-03422	LABEL, MUFFLER US	1	1	1	1				
13	1	172437-03432	LABEL, STEERING US	1	1	1	1				
14	1	172437-03441	LABEL, ROPS US	1	1	1	1				
15	1	172437-03451	LABEL, SEAT BELT US	1	1	1	1				
16	1	172437-03461	LABEL, BOOM US	2	2	2	2				
17	1	172437-03471	LABEL, LEVER LOCK US	1	1	1	1				
18	1	172A64-03560	LABEL,LIFT US	1	1	1	1				
19	1	172437-03601	LABEL, 2-WAY US	1	1	1	1				
20	1	172446-03652	LABEL, VARIABLE US	1	1	1	1				
21	1	172472-03141	LABEL, SUPPORT US	1	1	1	1				
22	1	172437-03302	LABEL, MANUAL US	1	1	1	1				
23	1	114110-07760	LABEL, FUEL OIL NOTI	1	1	1	1				W

(A)=M/# 01435) (B)=M/# 01435) (C)=M/# 01435) (D)=M/# 01435)

Fig.4. AIR CLEANER



OCS10-G49500 4. AIR CLEANER

(A)=VIO17(US)
 (B)=VIO17(AS)
 (C)=VIO17(NZ)

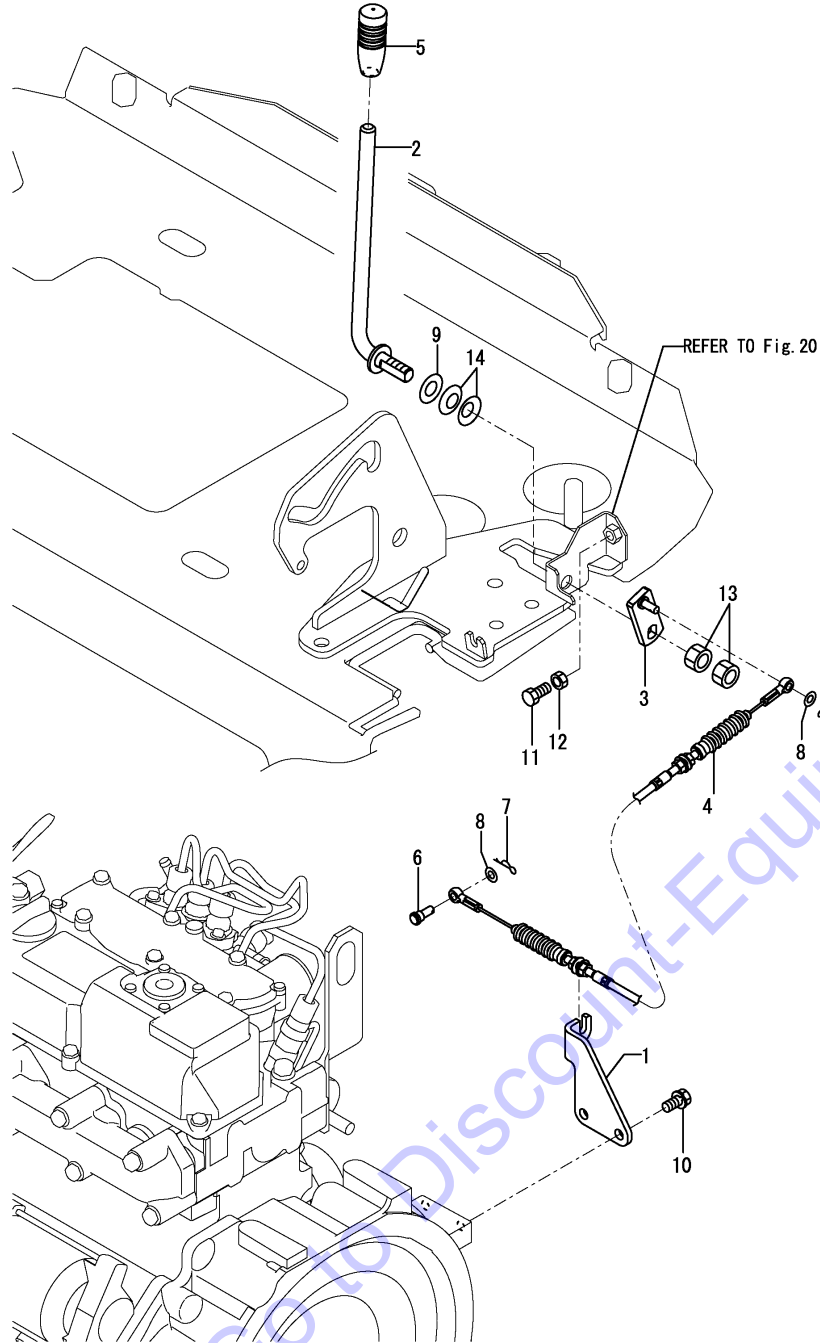
(D)=VIO17(SG)
 (E)=
 (F)=

REF.	LEV.	PARTS NO.	DESCRIPTION	Q'TY						I	R
				(A)	(B)	(C)	(D)	(E)	(F)		
1	1	172448-11500	AIR CLEANER	1	1	1	1				
2	2	172448-11510	BODY	1	1	1	1				
3	2	119258-12530	COVER ASSY.	1	1	1	1				
4	2	119808-12540	VALVE, UNLOADER	1	1	1	1				
5	2	119655-12560	ELEMENT	1	1	1	1				
6	2	105027-12580	RING	1	1	1	1				
7	1	172A64-11520	HOSE, AIR CLEANER	1	1	1	1				
8	1	172A64-11530	HOSE, AIR CLEANER	1	1	1	1				
9	1	23000-060000	CLAMP 60	3	3	3	3				
10	1	26013-080162	BOLT W/WASHER M8X16	2	2	2	2				

Fig.5. ACCELERATOR LEVER

(A)=VIO17(US)
(B)=VIO17(AS)
(C)=VIO17(NZ)

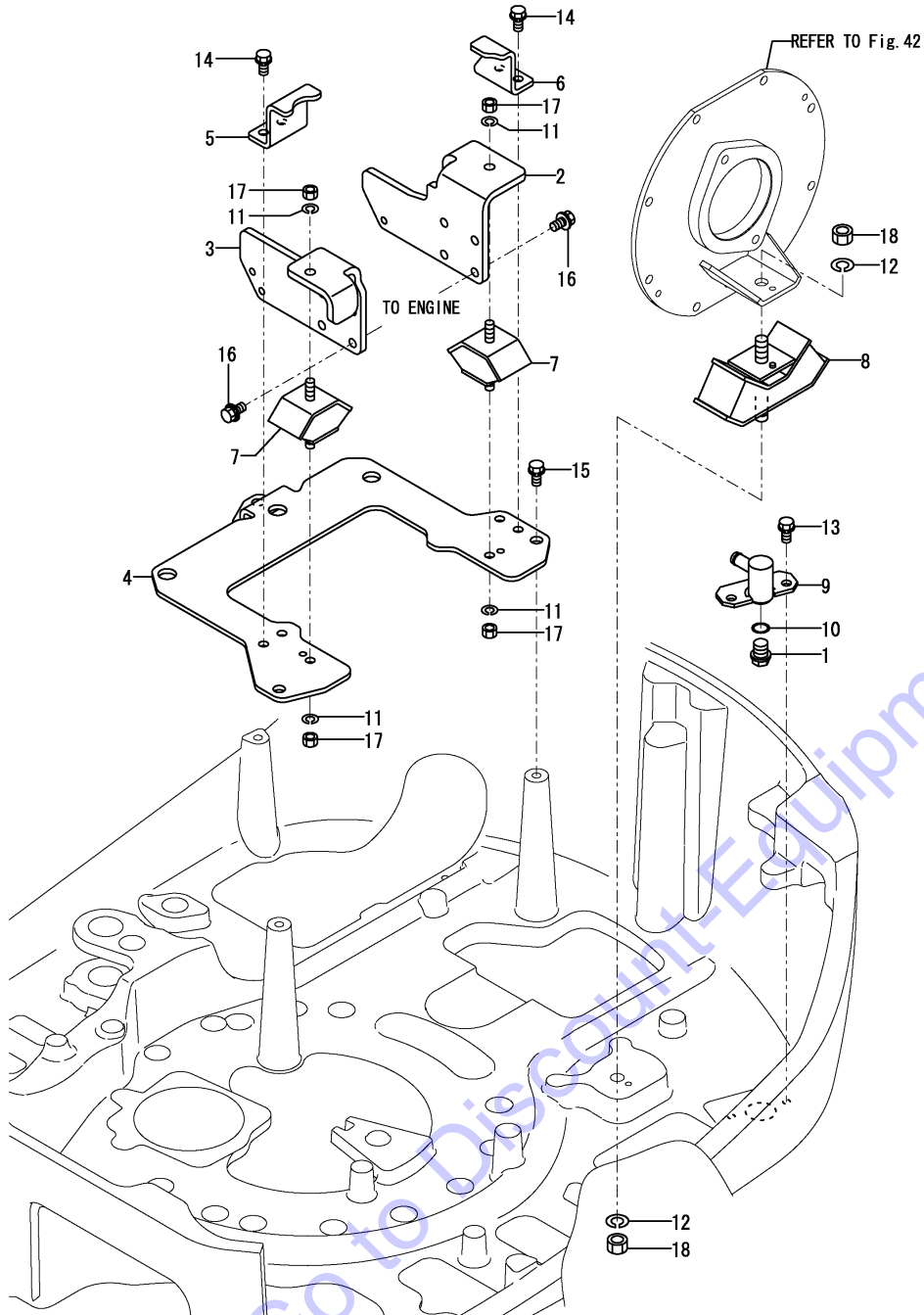
(D)=VIO17(SG)
(E)=
(F)=



REF.	LEV.	PARTS NO.	DESCRIPTION	Q'TY						I	R
				(A)	(B)	(C)	(D)	(E)	(F)		
1	1	172A64-12100	BRACKET,WIRE	1	1	1	1				
2	1	172A64-12140	LEVER ASSY,ACCEL	1	1	1	1				
3	1	172A64-12180	ARM ASSY,ACCEL	1	1	1	1				
3-1	1	172A64-12181	ARM ASSY,ACCEL	1	1	1	1				N
		(A=MZZZZZ) (B=MZZZZZ) (C=MZZZZZ) (D=MZZZZZ)									
4	1	172A64-12200	CABLE, ACCELERATOR	1	1	1	1				
5	1	172498-12250	GRIP,ACCEL	1	1	1	1				
6	1	172113-12522	PIN	1	1	1	1				
7	1	1C6281-52310	PIN 6,COME-OFF SNAP	2	2	2	2				
8	1	22137-060000	WASHER 6, POLISHED	2	2	2	2				
9	1	22137-120000	WASHER 12,POLISHED	1	1	1	1				
9-1	1	172653-73200	WASHER 12.5X26	1	1	1	1				N
		(A=MZZZZZ) (B=MZZZZZ) (C=MZZZZZ) (D=MZZZZZ)									
10	1	26013-080162	BOLT W/WASHER M8X16	2	2	2	2				
11	1	26116-080252	BOLT M 8X 25 PLATED	1	1	1	1				
12	1	26716-080002	NUT M 8	1	1	1	1				
13	1	26756-120002	LOCK NUT 12	2	2	2	2				
14	1	933170-01490	SPRING 12	2	2	2	2				

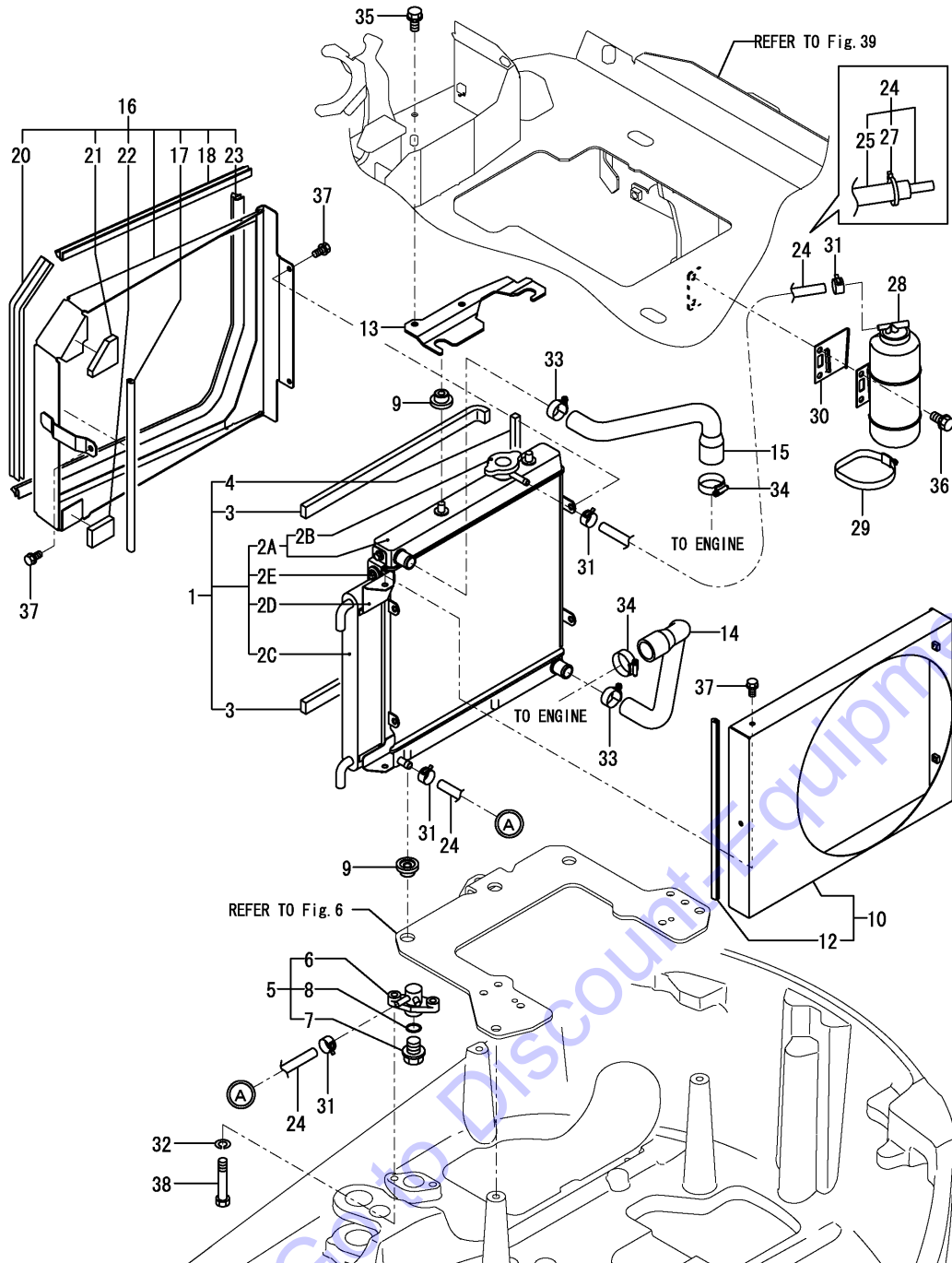
Fig.6. ENGINE MOUNT

(A)=VIO17(US) (D)=VIO17(SG)
 (B)=VIO17(AS) (E)=
 (C)=VIO17(NZ) (F)=



REF.	LEV.	PARTS NO.	DESCRIPTION	Q'TY						I	R
				(A)	(B)	(C)	(D)	(E)	(F)		
1	1	105425-01690	PLUG M16	1	1	1	1				
2	1	172A64-13100	MOUNT FL,ENGINE	1	1	1	1				
3	1	172A64-13110	MOUNT FR,ENGINE	1	1	1	1				
4	1	172A64-13120	MOUNT ASSY,ENGINE	1	1	1	1				
5	1	172A64-13150	STOPPER F	1	1	1	1				
6	1	172A64-13160	STOPPER R	1	1	1	1				
7	1	172179-13211	RUBBER, ANTI VIBRAT.	2	2	2	2				
8	1	172447-13260	ABSOBER,SHOCK 290K	1	1	1	1				
9	1	172A55-13700	BLOCK ASSY, DRAIN	1	1	1	1				
10	1	22190-160002	SEAL WASHER 16S	1	1	1	1				
11	1	22217-100000	SPRING WASHER 10	4	4	4	4				
12	1	22217-140000	SPRING WASHER 14	2	2	2	2				
13	1	26013-100202	BOLT W/WASHER M10X20	2	2	2	2				
14	1	26013-100252	BOLT W/WASHER M10X25	4	4	4	4				
15	1	26013-100252	BOLT W/WASHER M10X25	3	3	3	3				
16	1	26014-100252	BOLT 10X25 W/PLW+SPW	8	8	8	8				
17	1	26716-100002	NUT 10	4	4	4	4				
18	1	26736-140002	NUT M14	2	2	2	2				

Fig.7. RADIATOR & MOUNT

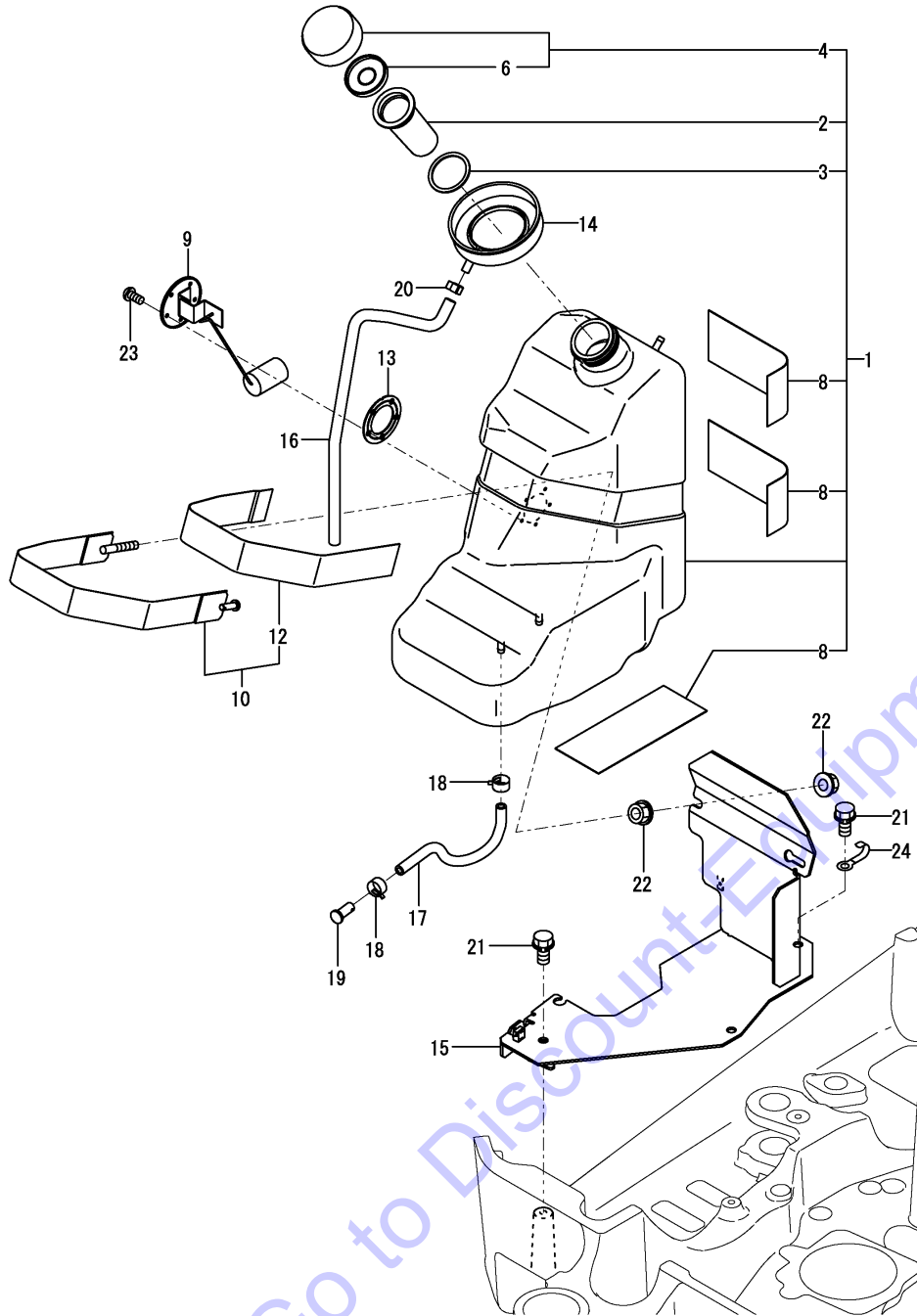


(A)=VIO17(US)
 (B)=VIO17(AS)
 (C)=VIO17(NZ)
 (D)=VIO17(SG)
 (E)=
 (F)=

REF.	LEV.	PARTS NO.	DESCRIPTION	Q'TY						I	R
				(A)	(B)	(C)	(D)	(E)	(F)		
1	1	172A64-13190	RADIATOR ASSY	1	1	1	1				
2A	3	172A64-13210	RADIATOR ASSY	1	1	1	1				W
		(A=MXXXXX) (B=MXXXXX) (C=MXXXXX) (D=MXXXXX)									
2B	4	172446-13450	CAP, PRESSURE	1	1	1	1				W
		(A=MXXXXX) (B=MXXXXX) (C=MXXXXX) (D=MXXXXX)									
2C	3	172A64-13220	COOLER ASSY, OIL	1	1	1	1				W
		(A=MXXXXX) (B=MXXXXX) (C=MXXXXX) (D=MXXXXX)									
2D	3	172A64-13230	SUPPORT ASSY	1	1	1	1				W
		(A=MXXXXX) (B=MXXXXX) (C=MXXXXX) (D=MXXXXX)									
2E	3	26014-060122	BOLT M 6X 12	5	5	5	5				W
		(A=MXXXXX) (B=MXXXXX) (C=MXXXXX) (D=MXXXXX)									
3	2	172A64-13310	SEAL A	2	2	2	2				
4	2	172A64-13320	SEAL B	1	1	1	1				
5	1	172444-13210	COCK ASSY,2-WAY	1	1	1	1				
6	2	172444-13220	BODY	1	1	1	1				
7	2	121250-49121	PLUG	1	1	1	1				
8	2	24311-000160	O-RING 1A P-16.0	1	1	1	1				
9	1	172446-13330	ABSOBER,SHOCK	4	4	4	4				
10	1	172A64-13360	SHROUD ASSY(OC	1	1	1	1				
12	2	172456-13480	RUBBER 315	1	1	1	1				
13	1	172A64-13400	BRACKET ASSY,UP	1	1	1	1				
14	1	172A64-13510	PIPE, WATER	1	1	1	1				
15	1	172A64-13520	PIPE, WATER	1	1	1	1				
16	1	172A64-13700	DUCT ASSY,OC(GRAY49)	1	1	1	1				
17	2	172638-06710	RUBBER, CUSHION 300	1	1	1	1				
18	2	172A64-13680	SEAL C	1	1	1	1				
20	2	172A64-13760	SEAL A,OC	1	1	1	1				
21	2	172A64-13770	SEAL B,OC	1	1	1	1				
22	2	172A64-13780	SEAL C,OC	1	1	1	1				
23	2	172A64-13790	SEAL D,OC	1	1	1	1				
24	1	172186-13810	HOSE ASSY	2	2	2	2				
25	2	172186-13820	TUBE, CORRUGATE	2	2	2	2				
27	2	933168-55770	BAND 146	4	4	4	4				
28	1	119813-44510	SUB-TANK ASSY	1	1	1	1				
29	1	124450-44550	CLAMP, SUB-TANK	1	1	1	1				
30	1	121256-44600	BRACKET, SUB-TANK	1	1	1	1				
31	1	124766-59050	CLAMP 12	4	4	4	4				
32	1	22217-080000	SPRING WASHER 8	2	2	2	2				
33	1	23001-025000	HOSE CLAMP 25	2	2	2	2				
34	1	23001-041000	CLIP 41,HOSE	2	2	2	2				
35	1	26013-080162	BOLT W/WASHER M8X16	2	2	2	2				
36	1	26013-080162	BOLT W/WASHER M8X16	2	2	2	2				
37	1	26014-060122	BOLT M 6X 12	5	5	5	5				
38	1	26116-080452	BOLT M 8X 45 PLATED	2	2	2	2				

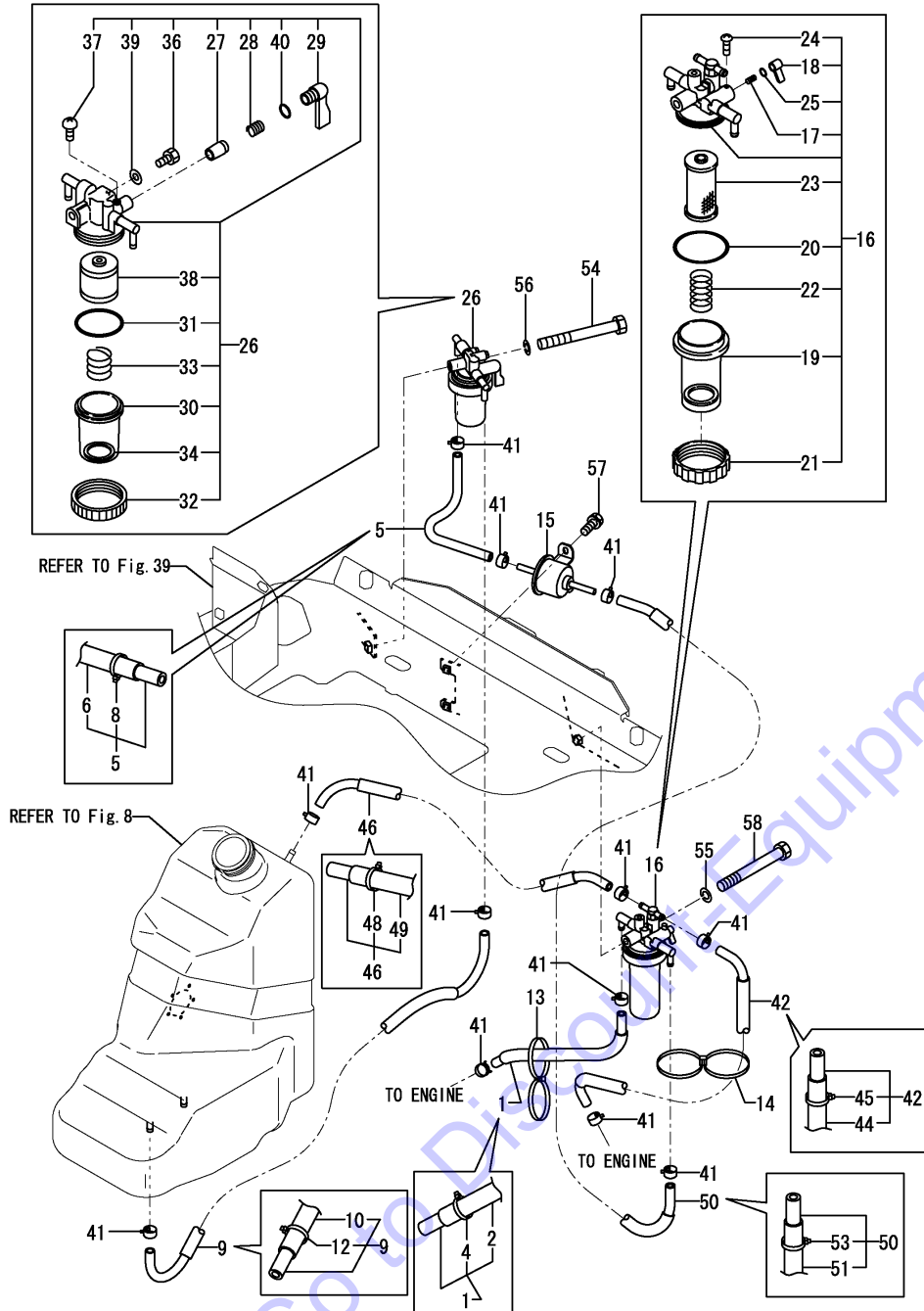
Fig.8. FUEL TANK

(A)=VIO17(US) (D)=VIO17(SG)
 (B)=VIO17(AS) (E)=
 (C)=VIO17(NZ) (F)=



REF.	LEV.	PARTS NO.	DESCRIPTION	Q'TY						I	R
				(A)	(B)	(C)	(D)	(E)	(F)		
1	1	172A64-14110	TANK ASSY, FUEL	1	1	1	1				
2	2	194151-04141	STRAINER, FUEL	1	1	1	1				
3	2	194151-04150	GASKET	1	1	1	1				
4	2	194250-04301	CAP, TANK	1	1	1	1				
6	3	194250-04321	VALVE, VENT	1	1	1	1				
8	2	172A29-62900	RUBBER PLATE A	3	3	3	3				
9	1	172456-14151	GAUGE UNIT, FUEL	1	1	1	1				
10	1	172A64-14200	CLAMP ASSY, FUEL	1	1	1	1				
12	2	172A64-14230	PLATE, RUBBER	1	1	1	1				
13	1	172162-14200	GASKET	1	1	1	1				
14	1	172458-14370	SOUCER, FUEL OIL	1	1	1	1				
15	1	172A64-14410	MOUNT ASSY, FUEL OEL	1	1	1	1				
16	1	172455-14470	HOSE	1	1	1	1				
17	1	172171-14610	HOSE, FUEL OIL	1	1	1	1				
18	1	124766-59050	CLAMP 12	2	2	2	2				
19	1	22487-080160	PIN 8X 16	1	1	1	1				
20	1	23080-013000	CLAMP 13, HOSE	1	1	1	1				
21	1	26013-100202	BOLT W/WASHER M10X20	3	3	3	3				
22	1	26367-100002	U-NUT M10	2	2	2	2				
23	1	26557-050122	SCREW M 5X 12	5	5	5	5				
23-1	1	26022-050122	SCREW M 5X 12	5	5	5	5				N
		(A=MZZZZZ) (B=MZZZZZ) (C=MZZZZZ) (D=MZZZZZ)		1	1	1	1				
24	1	172126-16540	CLAMP 10X70								

Fig.9. FUEL LINE



(A)=VIO17(US)
 (B)=VIO17(AS)
 (C)=VIO17(NZ)
 (D)=VIO17(SG)
 (E)=
 (F)=

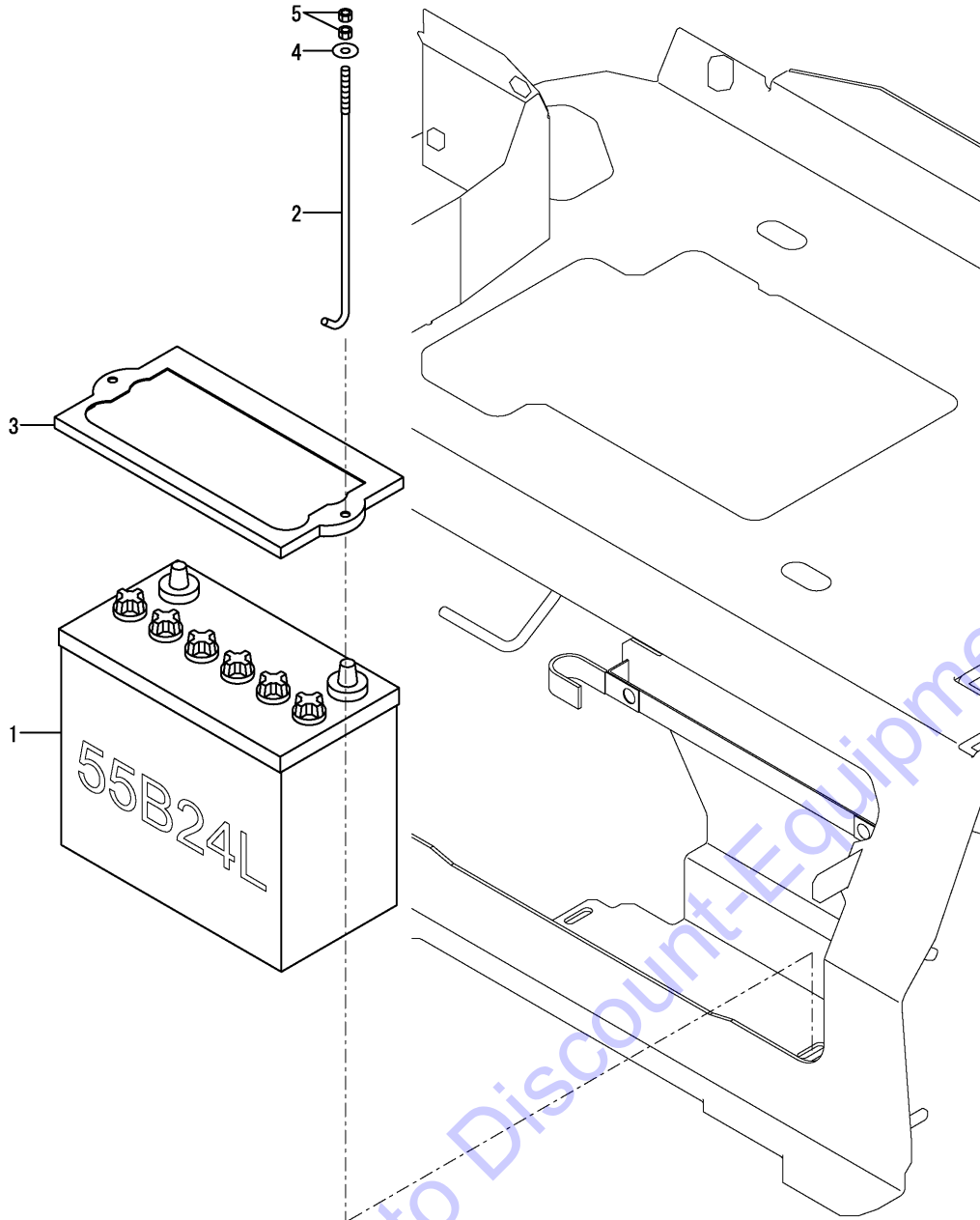
REF.	LEV.	PARTS NO.	DESCRIPTION	Q'TY						I	R
				(A)	(B)	(C)	(D)	(E)	(F)		
1	1	172186-13810	HOSE ASSY	1	1	1	1				
2	2	172186-13820	TUBE, CORRUGATE	1	1	1	1				
4	2	933168-55770	BAND 146	2	2	2	2				
5	1	172A64-14250	HOSE, FUEL OIL	1	1	1	1				
6	2	172A64-14260	TUBE, CORRUGATE	1	1	1	1				
8	2	933168-55770	BAND 146	2	2	2	2				
9	1	172456-14610	HOSE, FUEL OIL	1	1	1	1				
10	2	172456-14620	TUBE, CORRUGATE	1	1	1	1				
12	2	933168-55770	BAND 146	2	2	2	2				
13	1	172137-16560	BAND	1	1	1	1				
14	1	172137-16560	BAND	2	2	2	2				
15	1	129612-52100	FUEL PUMP	1	1	1	1				
16	1	119833-55620	STRAINER ASSY, FUEL	1	1	1	1				
17	2	104200-55330	SPRING, TAPER VALVE	1	1	1	1				
18	2	119810-55340	LEVER	1	1	1	1				
19	2	121254-55510	CUP, STRAINER	1	1	1	1				
20	2	102103-55520	O-RING	1	1	1	1				
21	2	110250-55610	RING, RETAINING	1	1	1	1				
22	2	121250-55620	SPRING	1	1	1	1				
23	2	119810-55650	ELEMENT	1	1	1	1				
24	2	104200-55750	SCREW M 4	1	1	1	1				
25	2	24311-240100	O-RING 1A P-10A	1	1	1	1				
26	1	129335-55700	SEPARATOR, WATER	1	1	1	1				
27	2	104200-55321	VALVE, TAPER	1	1	1	1				
28	2	104200-55330	SPRING, TAPER VALVE	1	1	1	1				
29	2	104200-55341	HANDLE, COCK	1	1	1	1				
30	2	124064-55510	BOWL, FUEL STRAINER	1	1	1	1				
31	2	102103-55520	O-RING	1	1	1	1				
32	2	110250-55610	RING, RETAINING	1	1	1	1				
33	2	121257-55720	SPRING, SCREEN	1	1	1	1				
34	2	121257-55731	FLOAT	1	1	1	1				
36	2	101720-55750	PLUG 6	2	2	2	2				
37	2	104200-55750	SCREW M 4	1	1	1	1				
38	2	171081-55910	SCREEN	1	1	1	1				
39	2	23418-060000	GASKET 6, NYLON	2	2	2	2				
40	2	24311-240100	O-RING 1A P-10A	1	1	1	1				
41	1	124766-59050	CLAMP 12	12	12	12	12				
42	1	184015-59130	HOSE	1	1	1	1				
44	2	184015-59140	TUBE, CORRUGATE	1	1	1	1				
45	2	933168-55770	BAND 146	2	2	2	2				
46	1	184015-59250	HOSE	1	1	1	1				
48	2	184015-59260	TUBE, CORRUGATE	1	1	1	1				
49	2	933168-55770	BAND 146	2	2	2	2				
50	1	184014-59650	HOSE	1	1	1	1				
51	2	184014-59510	TUBE, CORRUGATE	1	1	1	1				
53	2	933168-55770	BAND 146	2	2	2	2				
54	1	26116-080652	BOLT M 8X 65 PLATED	1	1	1	1				
55	1	22217-080000	SPRING WASHER 8	1	1	1	1				
56	1	22217-080000	SPRING WASHER 8	1	1	1	1				
57	1	26014-060162	BOLT M 6X 16	2	2	2	2				
58	1	26116-080652	BOLT M 8X 65 PLATED	1	1	1	1				

N:Old $\frac{Yes}{No}$ New, Q:Old $\frac{No}{Yes}$ New, R:Old $\frac{Yes}{Yes}$ New, S:Old $\frac{No}{No}$ New, W:Add, Z:Discontinued, F:Interchangeable by set, K:Q'ty Change
 (C)Copyrights YANMAR CO.,LTD.

Fig.10. BATTERY

(A)=VIO17(US)
 (B)=VIO17(AS)
 (C)=VIO17(NZ)

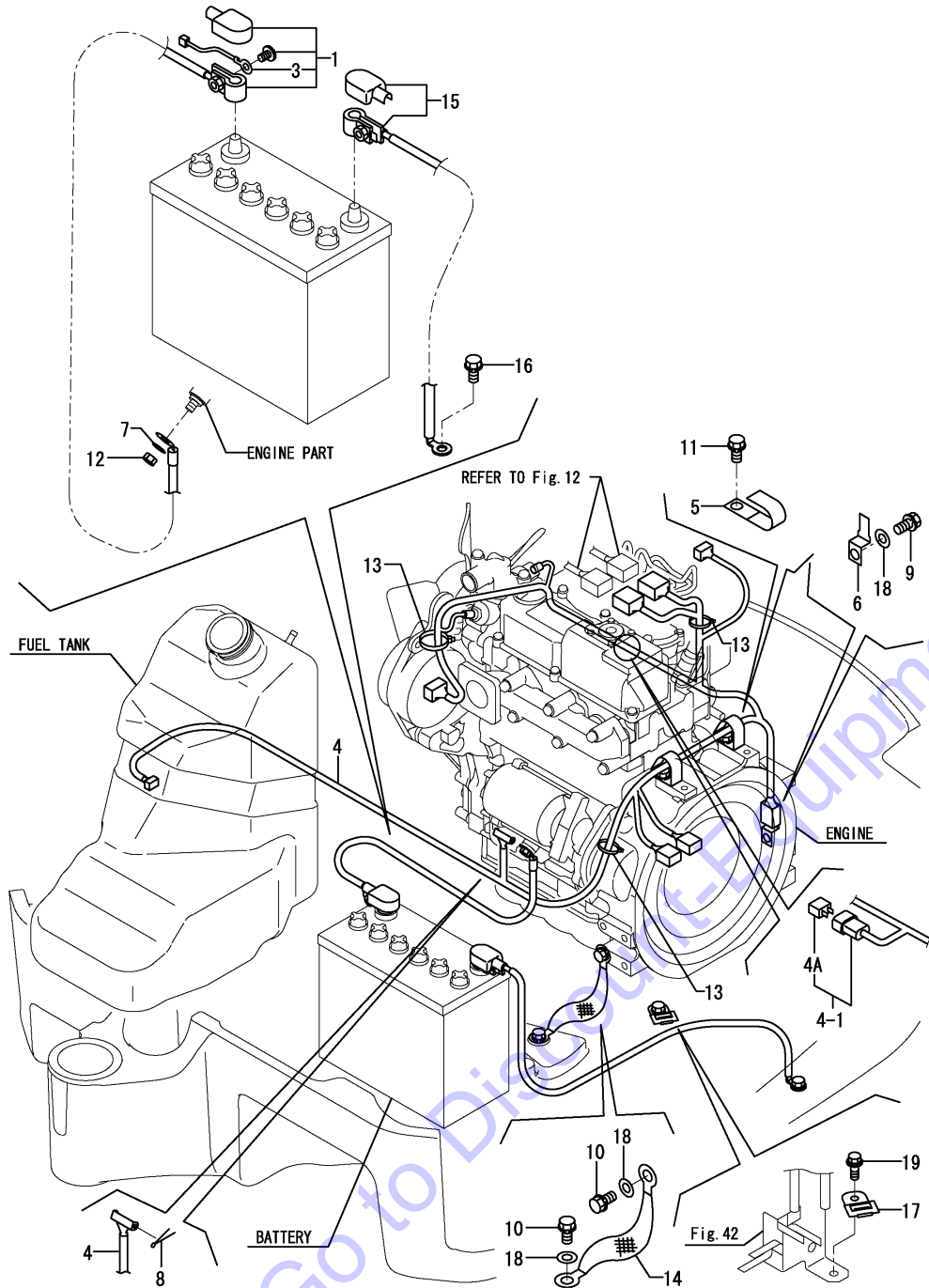
(D)=VIO17(SG)
 (E)=
 (F)=



REF.	LEV.	PARTS NO.	DESCRIPTION	Q'TY						I	R
				(A)	(B)	(C)	(D)	(E)	(F)		
1	1	172458-16110	BATTERY	1	1	1	1				
2	1	172725-16160	ROD, CLAMP	2	2	2	2				
3	1	194940-64750	CLAMP,BATTERY	1	1	1	1				
4	1	22157-060000	WASHER 6	2	2	2	2				
5	1	26716-060002	NUT 6	4	4	4	4				

Go to Discount-Equipment.com to order your parts

Fig.11. ELECTRIC PART(ENGINE)

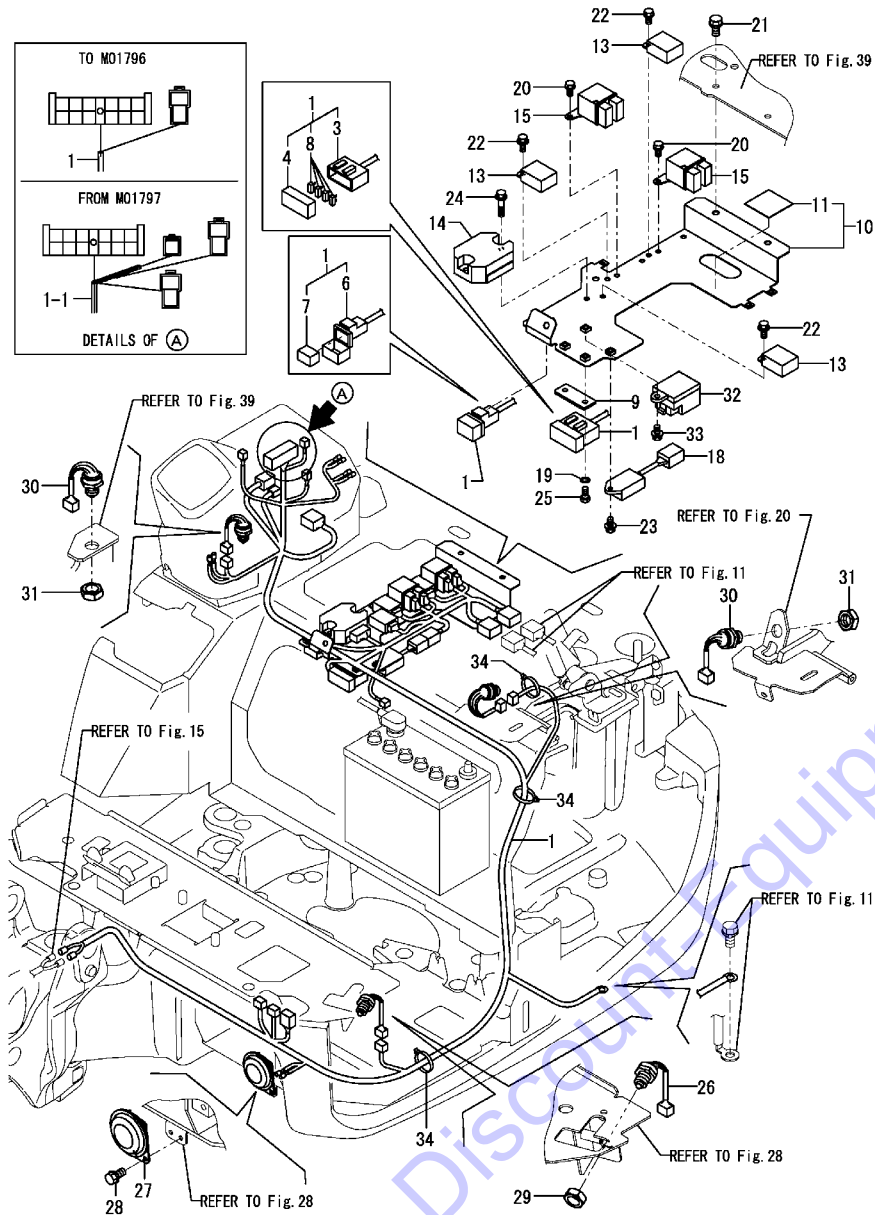


OCS10-G49500 11. ELECTRIC PART(ENGIN)

(A)=VIO17(US)
 (B)=VIO17(AS)
 (C)=VIO17(NZ)
 (D)=VIO17(SG)
 (E)=
 (F)=

REF.	LEV.	PARTS NO.	DESCRIPTION	Q'TY						I	R
				(A)	(B)	(C)	(D)	(E)	(F)		
1	1	172A64-16101	CORD ASSY,BATTERY (+	1	1	1	1				
3	2	172458-16140	HARNESS C	1	1	1	1				
3-1	2	172A64-16120	HARNESS, F	1	1	1	1				N
4	1	172A64-16501	HARNESS ASSY, A	1	1	1	1				
4-1	1	172A64-16502	HARNESS ASSY, A	1	1	1	1				N
4A	2	1A7130-51130	DIODE, 1.5A	1	1	1	1				W
5	1	172112-16650	CLAMP(B)	2	2	2	2				
6	1	172460-16700	STAY A	1	1	1	1				
7	1	22137-080000	WASHER 8, POLISHED	1	1	1	1				
8	1	22417-200250	COTTER PIN 2.0X25	1	1	1	1				
9	1	26013-100162	BOLT M10X 16	1	1	1	1				
10	1	26013-100162	BOLT M10X 16	2	2	2	2				
11	1	26013-100162	BOLT M10X 16	2	2	2	2				
12	1	26716-080002	NUT M 8	1	1	1	1				
13	1	933168-55770	BAND 146	3	3	3	3				
14	1	933171-15801	WIRE, EARTH	1	1	1	1				
15	1	172A64-16131	HARNESS, BAT. MINUS	1	1	1	1				
16	1	26013-100202	BOLT W/WASHER M10X20	1	1	1	1				
17	1	1A7347-51200	METAL CLIP	2	2	2	2				W
18	1	22137-100000	WASHER 10,POLISHED	3	3	3	3				W
19	1	26014-080202	BOLT M 8X 20	1	1	1	1				W

Fig.12. ELECTRIC PART(SEAT MOUNT)

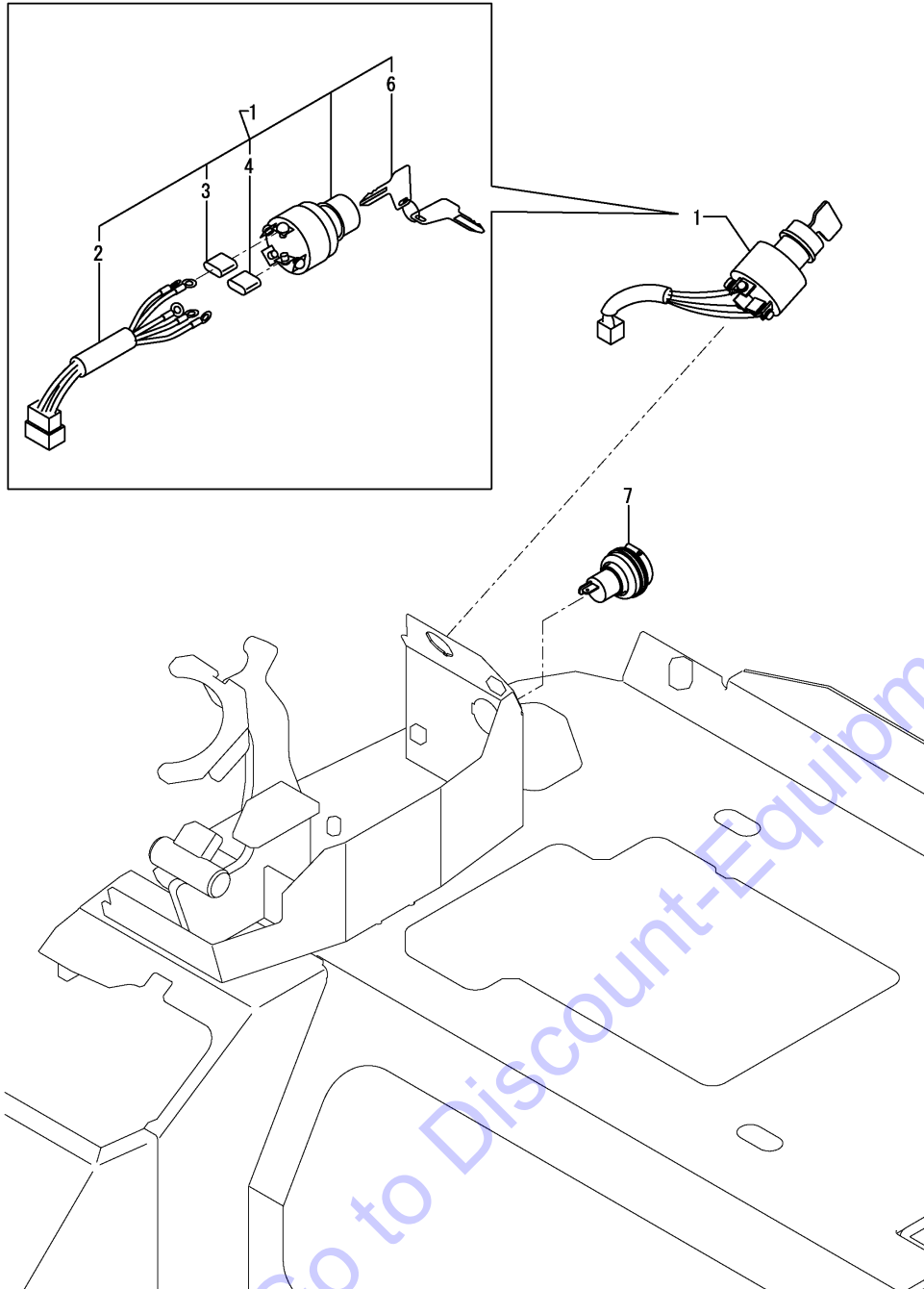


Remarks
 (1)INTERCHANGEABLE BY SIMULTANEOUS
 REPLACEMENT WITH REF.NO.1-1,32,33,
 FIG.37 REF.NO.23.

(A)=VIO17(US)
 (B)=VIO17(AS)
 (C)=VIO17(NZ)
 (D)=VIO17(SG)
 (E)=
 (F)=

REF.	LEV.	PARTS NO.	DESCRIPTION	Q'TY						I	R
				(A)	(B)	(C)	(D)	(E)	(F)		
1	1	172A64-16551	HARNESS ASSY, B	1	1	1	1				
1-1	1	172A64-16552	HARNESS ASSY, B	1	1	1	1			S	1
		(A=M01797) (B=M01797) (C=M01797) (D=M01797)									
1-2	1	172A64-16530	HARNESS ASSY,B EX	1	1	1	1				N
		(A=MZZZZZ) (B=MZZZZZ) (C=MZZZZZ) (D=MZZZZZ)									
3	2	172183-16580	BODY,FUSER	1	1	1	1				
4	2	172183-16590	COVER	1	1	1	1				
6	2	172447-17140	HOUSING	1	1	1	1				
7	2	172447-17150	FUSE 40A	1	1	1	1				
8	2	29420-150000	FUSE, 15A	4	4	4	4				
9	1	172183-16550	BRACKET,FUSE	1	1	1	1				
10	1	172A64-17120	BRACKET ASSY,ELC	1	1	1	1				
10-1	1	172A64-17121	BRACKET ASSY,ELC	1	1	1	1				N
		(A=M/# 01435) (B=M/# 01435) (C=M/# 01435) (D=M/# 01435)									
11	2	172446-14250	RUBBER PLATE	1	1	1	1				
13	1	119247-77100	RELAY, SAFETY	3	3	3	3				
14	1	119653-77710	LIMITTER, CURRENT	1	1	1	1				
15	1	119650-77910	RELAY, GROW	2	2	2	2				
18	1	129211-77920	TIMER	1	1	1	1				
19	1	22137-060000	WASHER 6, POLISHED	2	2	2	2				
20	1	26013-060122	BOLT M 6X 12	4	4	4	4				
21	1	26013-080162	BOLT W/WASHER M8X16	3	3	3	3				
22	1	26014-060122	BOLT M 6X 12	3	3	3	3				
23	1	26014-060162	BOLT M 6X 16	1	1	1	1				
24	1	26014-060252	BOLT M 6X 25	2	2	2	2				
25	1	26116-060162	BOLT 6X16	2	2	2	2				
26	1	194464-52190	SWITCH, SAFETY START	1	1	1	1				
27	1	194151-57100	HORN	1	1	1	1				
28	1	26014-060162	BOLT M 6X 16	2	2	2	2				
29	1	26776-180002	NUT M18,LOCK	1	1	1	1				
30	1	194464-52190	SWITCH, SAFETY START	2	2	2	2				
31	1	26776-180002	NUT M18,LOCK	2	2	2	2				
32	1	124970-77920	TIMER, GLOW PLUG	1	1	1	1				W 1
		(A=M01797) (B=M01797) (C=M01797) (D=M01797)									
33	1	26014-060202	BOLT M 6X 20	1	1	1	1				W 1
		(A=M01797) (B=M01797) (C=M01797) (D=M01797)									
34	1	933168-55770	BAND 146	3	3	3	3				W
		(A=MZZZZZ) (B=MZZZZZ) (C=MZZZZZ) (D=MZZZZZ)									

Fig.13. ELECTRIC PART(START SWITCH)



OCS10-G49500 13. ELECTRIC PART(START SWITCH)

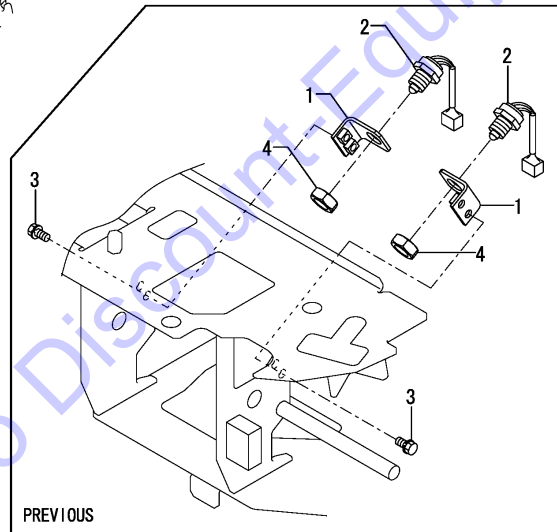
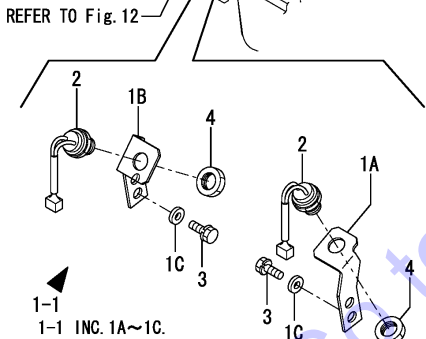
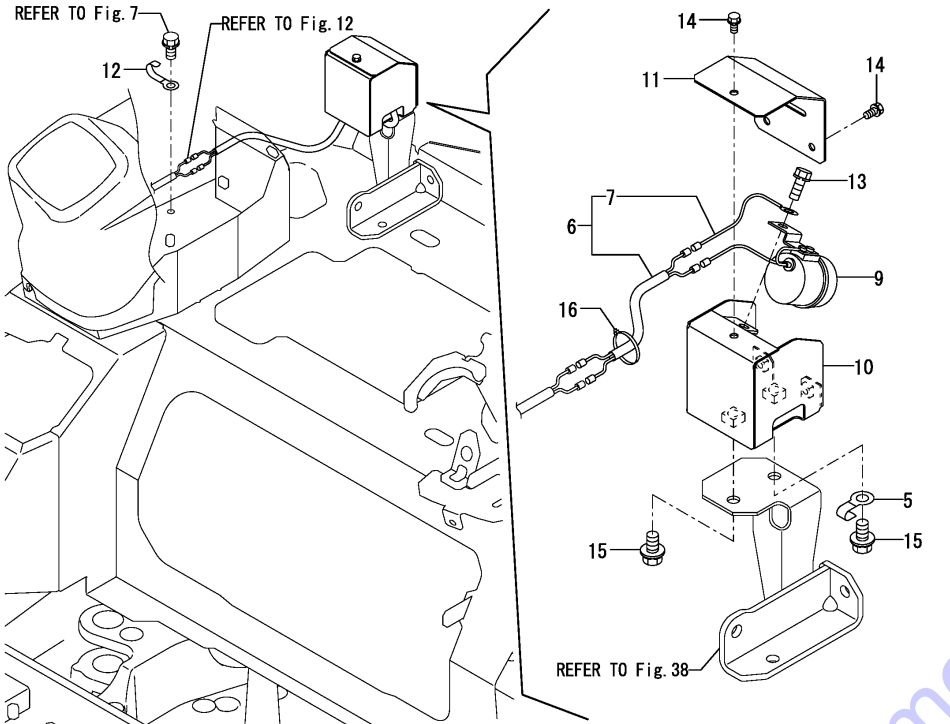
(A)=VIO17(US)
(B)=VIO17(AS)
(C)=VIO17(NZ)

(D)=VIO17(SG)
(E)=
(F)=

REF.	LEV.	PARTS NO.	DESCRIPTION	Q'TY						I	R
				(A)	(B)	(C)	(D)	(E)	(F)		
1	1	172187-17100	SWITCH, START	1	1	1	1				
2	2	172187-17070	CODE	1	1	1	1				
3	2	172187-17080	COVER M5	3	3	3	3				
4	2	172187-17090	COVER M4	2	2	2	2				
6	2	933110-00301	KEY ASSY	1	1	1	1				
7	1	172A64-17250	SOCKET ASSY	1	1	1	1				

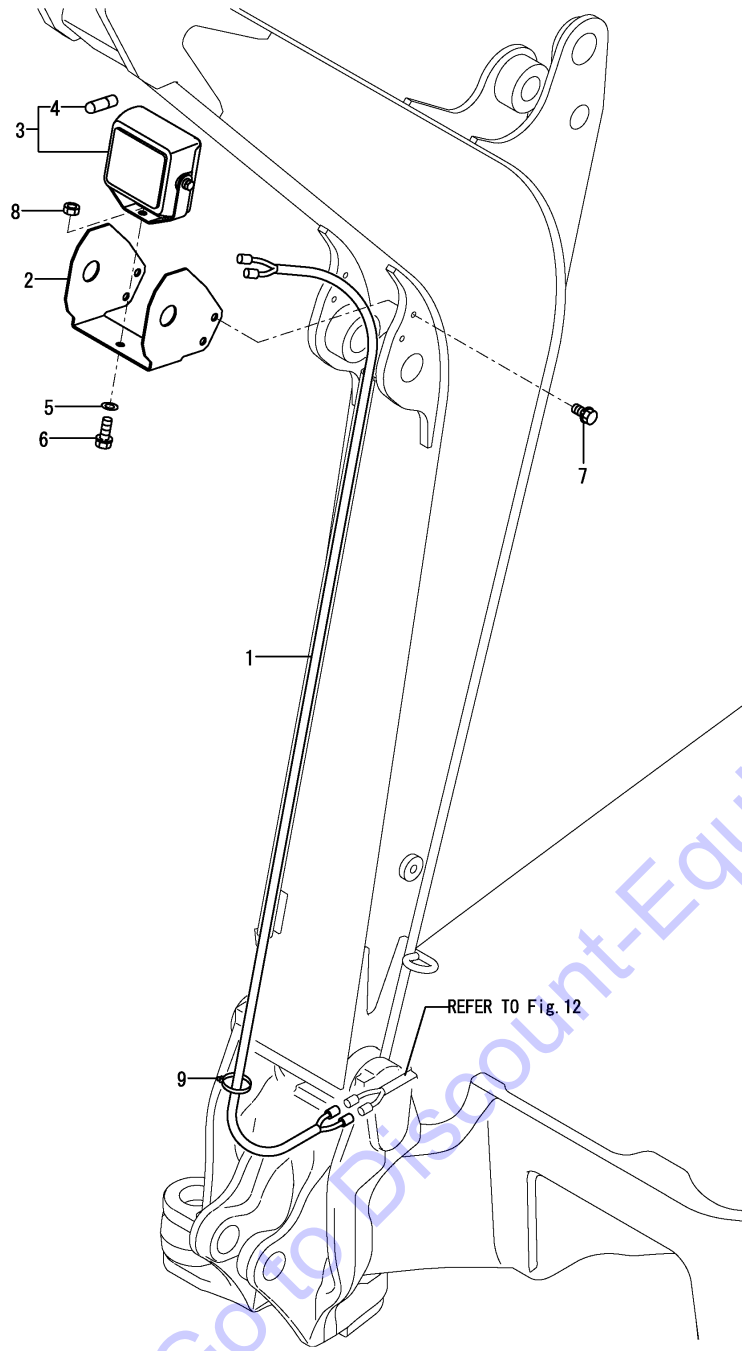
Fig.14. TRAVEL ALARM

(A)=VIO17(US) (D)=VIO17(SG)
 (B)=VIO17(AS) (E)=
 (C)=VIO17(NZ) (F)=



REF.	LEV.	PARTS NO.	DESCRIPTION	Q'TY						I	R
				(A)	(B)	(C)	(D)	(E)	(F)		
1	1	172A64-45250	STAY ASSY, SSW	2	2	2	2				
1-1	1	172A64-08311	TRAVEL ALARM KIT	1	1	1	1				S
		(A=M/# 01130) (B=M/#01130) (C=M/# 01130) (D=M/# 01130)									
1A	2	172A64-45310	STA L,SSW	1	1	1	1				W
		(A=M/# 01130) (B=M/#01130) (C=M/#01130) (D=M/#01130)									
1B	2	172A64-45320	STA R,SSW	1	1	1	1				W
		(A=M/#01130) (B=M/# 01130) (C=M/#01130) (D=M/#01130)									
1C	2	172157-45840	WASHER 8X18X4	4	4	4	4				W
		(A=M/#01130) (B=M/# 01130) (C=M/#01130) (D=M/#01130)									
2	1	194464-52190	SWITCH, SAFETY START	2	2	2	2				
3	1	26013-080202	BOLT	4	4	4	4				
4	1	26776-180002	NUT	2	2	2	2				
5	1	172126-16540	CLAMP	1	1	1	1				
6	1	172448-16600	HARNES D CMP	1	1	1	1				
7	2	172478-16580	HARNES,ALARM	1	1	1	1				
9	1	172511-17351	BUZZER, BACK	1	1	1	1				
10	1	172472-17400-1	CASE ASSY,ALARM (2J)	1	1	1	1				
10-1	1	172472-17401-1	ALARM CASE ASSY (2J)	1	1	1	1				N
		(A=MZZZZZ) (B=MZZZZZ) (C=MZZZZZ) (D=MZZZZZ)									
10-2	1	172472-17401-Y	ALARM CASE ASSY	1	1	1	1				S
		(A=M07001) (B=M07001) (C=M07001) (D=M07001)									
11	1	172472-17470-1	COVER,ALARM CASE(2J)	1	1	1	1				
11-1	1	172472-17470-Y	COVER,ALARM CASE	1	1	1	1				S
		(A=M07001) (B=M07001) (C=M07001) (D=M07001)									
12	1	194440-51620	CLAMP, HARNES	1	1	1	1				
13	1	26013-080122	BOLT	1	1	1	1				
14	1	26014-060122	BOLT	3	3	3	3				
15	1	26014-100202	BOLT	2	2	2	2				
16	1	933168-55770	BAND	1	1	1	1				

Fig.15. WORK LAMP

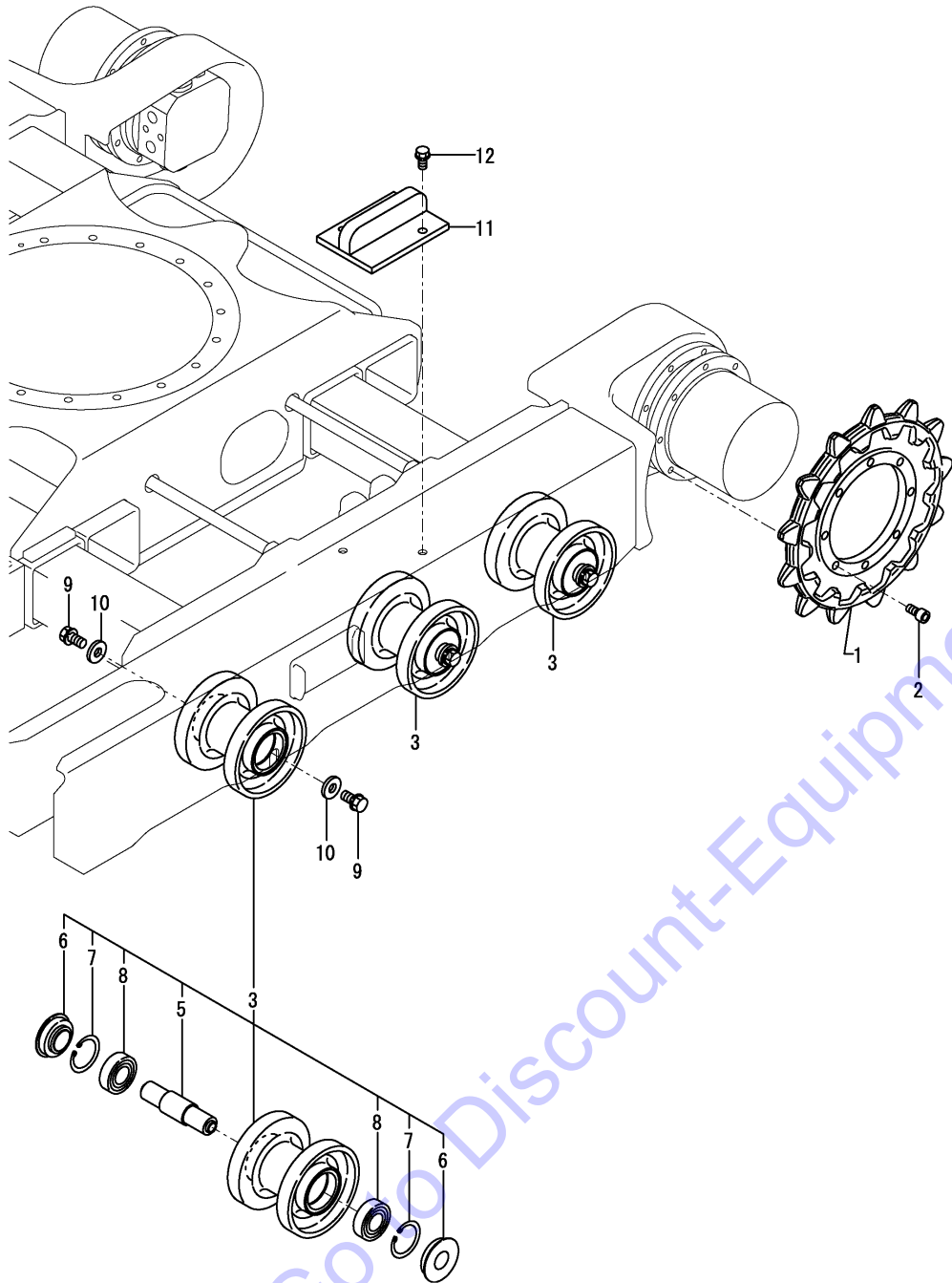


(A)=VIO17(US) (D)=VIO17(SG)
 (B)=VIO17(AS) (E)=
 (C)=VIO17(NZ) (F)=

REF.	LEV.	PARTS NO.	DESCRIPTION	Q'TY						I	R
				(A)	(B)	(C)	(D)	(E)	(F)		
1	1	172448-16550	HARNES,BOOM LAMP	1	1	1	1				
2	1	172A64-17210-1	BRACKET,WORK LAMP(2J)	1	1	1	1				
2-1	1	172A64-17210-Y	BRACKET,WORK LAMP	1	1	1	1				S
		(A=M07001)	(B=M07001)	(C=M07001)	(D=M07001)						
3	1	172156-17401	LAMP, WORK	1	1	1	1				
4	2	172156-17420	BULB 12V-27W	1	1	1	1				
5	1	22117-080000	WASHER	1	1	1	1				
6	1	26013-080162	BOLT	1	1	1	1				
7	1	26014-080162	BOLT	4	4	4	4				
8	1	26716-080002	NUT	1	1	1	1				
9	1	933168-55770	BAND	1	1	1	1				

Go to Discount-Equipment.com to order your parts

Fig.16. SPROCKET & ROLLER(RUBBER CRAWLER SPEC.)

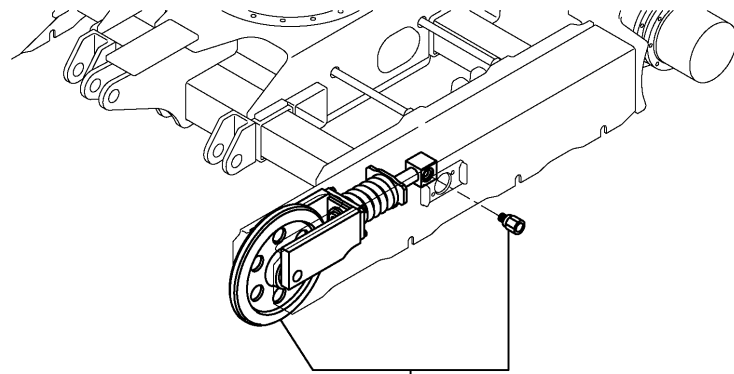


OCS10-G49500 16. SPROCKET & ROLLER(RUBBER CRAWLER SPEC.)

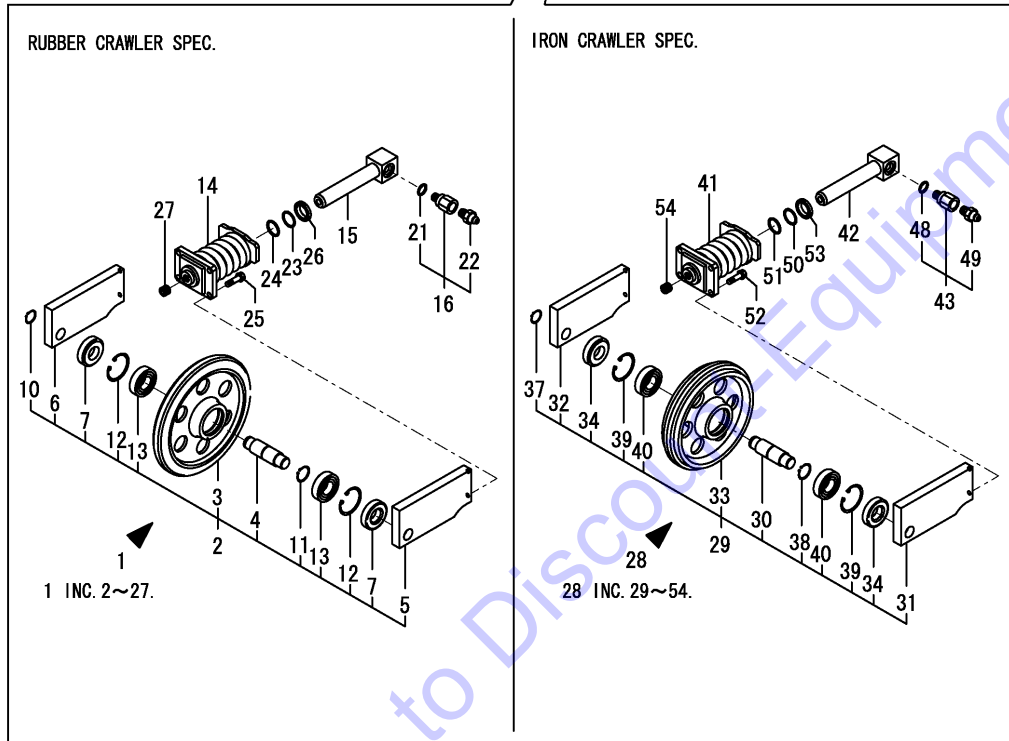
(A)=VIO17(US) (D)=VIO17(SG)
 (B)=VIO17(AS) (E)=
 (C)=VIO17(NZ) (F)=

REF.	LEV.	PARTS NO.	DESCRIPTION	Q'TY						I	R
				(A)	(B)	(C)	(D)	(E)	(F)		
1	1	172A64-29100	SPROCKET T13(GRAY;49	2	2	2	2				
2	1	26450-100252	BOLT	16	16	16	16				
3	1	772A64-37300-2	ROLLER ASSY, TRACK	6	6	6	6				
5	2	172448-37310	SHAFT,ROLLER RUBBER	6	6	6	6				
6	2	1E6140-73420	SEAL QLF255218, OIL	12	12	12	12				
7	2	22252-000520	RING	12	12	12	12				
8	2	24101-062054	BEARING, BALL	12	12	12	12				
9	1	26013-120252	BOLT	12	12	12	12				
10	1	933152-03700	WASHER, SIDE CLUTCH	12	12	12	12				
11	1	172A64-37500	SLIDE PLATE ASSY(49)	2	2	2	2				
12	1	26013-100252	BOLT	4	4	4	4				

Fig.17. IDLER & ADJUST



1 RUBBER CRAWLER SPEC.
28 IRON CRAWLER SPEC.



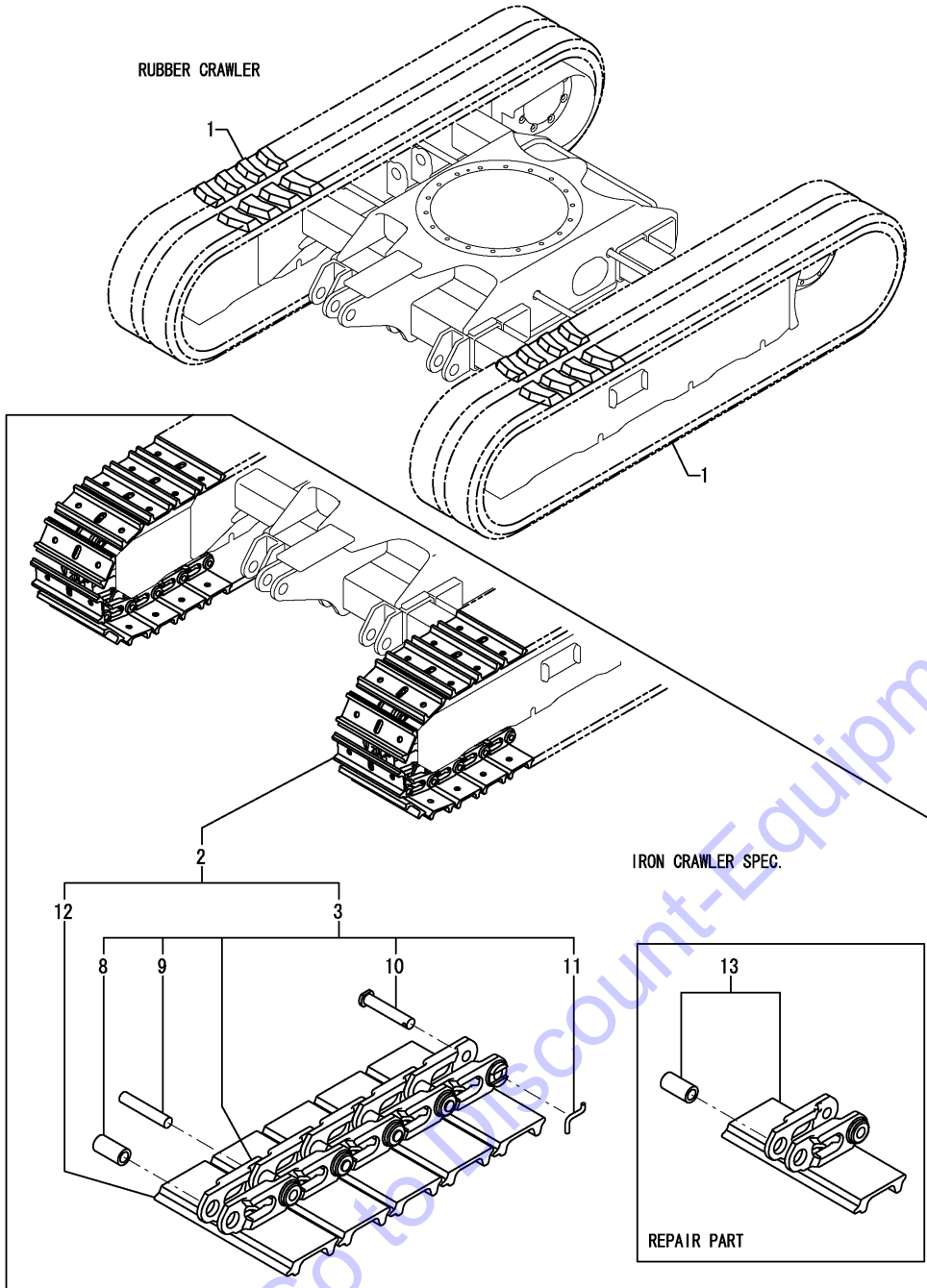
(A)=VIO17(US)
(B)=VIO17(AS)
(C)=VIO17(NZ)

(D)=VIO17(SG)
(E)=
(F)=

REF.	LEV.	PARTS NO.	DESCRIPTION	Q'TY						I	R
				(A)	(B)	(C)	(D)	(E)	(F)		
1	1	172A64-37200	FORK ASSY,IDLER (49)	2	2	2	2				
2	2	172A64-37210	IDLER ASSY (GRAY:49)	2	2	2	2				
3	3	172A64-37100	IDLER 270	2	2	2	2				
4	3	172A64-37120	SHAFT,IDLER	2	2	2	2				
5	3	172A64-37130	FORK L,IDLER	2	2	2	2				
6	3	172A64-37140	FORK R,IDLER	2	2	2	2				
7	3	1A1060-48300	SEAL QLN306213.2,OIL	4	4	4	4				
10	3	22242-000250	CIRCLIP 25S	2	2	2	2				
11	3	22242-000300	CIRCLIP 30	2	2	2	2				
12	3	22252-000620	CIRCLIP 62(H)	4	4	4	4				
13	3	24101-062064	BALL BEARING 6206	4	4	4	4				
14	2	172448-37712	SPRING,CRAWLER	2	2	2	2				
15	2	172448-37800	TUBE ASSY, ADJUSTING	2	2	2	2				
16	2	172122-37844	VALVE ASSY, NIPPLE	2	2	2	2				
21	3	24315-000140	O-RING 1B P-14.0	2	2	2	2				
22	3	24761-020000	NIPPLE PT1/8,GREASE	2	2	2	2				
23	2	172137-37850	RING, BACK UP	2	2	2	2				
24	2	24315-000300	O-RING 1B P-30.0	2	2	2	2				
25	2	26013-100352	BOLT M10X 35	8	8	8	8				
26	2	933126-38600	SEAL, DUST	2	2	2	2				
27	2	933171-13691	PLUG PT1/8	2	2	2	2				
28	1	172A64-37230	FORK ASSY,IDLER (49)								2
29	2	172A64-37240	IDLER ASSY (GRAY:49)								2
30	3	172A64-37120	SHAFT,IDLER								2
31	3	172A64-37130	FORK L,IDLER								2
32	3	172A64-37140	FORK R,IDLER								2
33	3	172449-37200-1	IDLER 216-FE(GRAY49)								2
34	3	1A1060-48300	SEAL QLN306213.2,OIL								4
37	3	22242-000250	RING, 25								2
38	3	22242-000300	RING, 30								2
39	3	22252-000620	RING, 62								4
40	3	24101-062064	BEARING, 6206 NTN								4
41	2	172448-37712	SPRING,CRAWLER								2
42	2	172448-37800	TUBE ASSY, ADJUSTING								2
43	2	172122-37844	VALVE ASSY, NIPPLE								2
48	3	24315-000140	PACKING, P 14.0								2
49	3	24761-020000	FITTING, PT 1/8								2
50	2	172137-37850	RING, BACK UP P30								2
51	2	24315-000300	PACKING, P 30.0								2
52	2	26013-100352	BOLT, 10 X 35								8
53	2	933126-38600	SEAL, DUST								2
54	2	933171-13691	PLUG, PT1/8								2

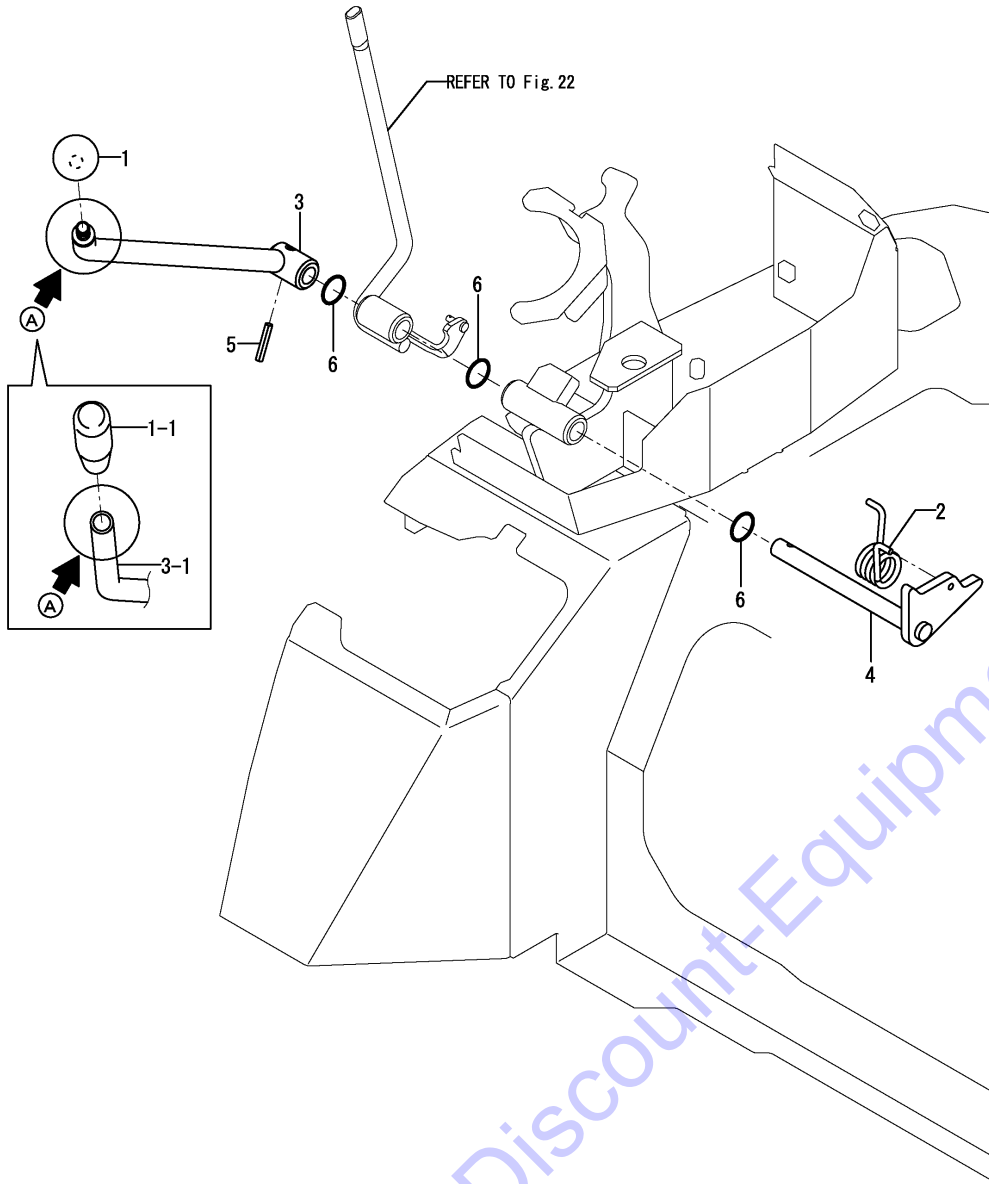
Fig.18. CRAWLER

(A)=VIO17(US) (D)=VIO17(SG)
 (B)=VIO17(AS) (E)=
 (C)=VIO17(NZ) (F)=



REF.	LEV.	PARTS NO.	DESCRIPTION	Q'TY						I	R
				(A)	(B)	(C)	(D)	(E)	(F)		
1	1	172A64-38600	RUBBER CRAWLER	2	2	2	2				
I 2	1	172448-38101-1	CRAWLER 230(GRAY:49)				2				
I 3	2	172448-38110-2	LINK, TRACK(GRAY:49)				2				
I 8	3	172173-38200	BUSH, 22.15X43				72				
I 9	3	172173-38210	PIN, CRAWLER				70				
I 10	3	172173-38220	PIN, MASTER				2				
I 11	3	172173-38300	PIN 4X22, LOCK				2				
I 12	2	172448-38231	PLATE, SHOE 230				72				
I 13	1	172448-38301-1	MASTER TRACK (49)				1				

Fig.19. CONTROL EQUIPMENT(LOCK LEVER & STAND)(RIGHT)



OCS10-G49500 19. CONTROL EQUIPMENT(LOCK LEVER & STAND)(RIGHT)

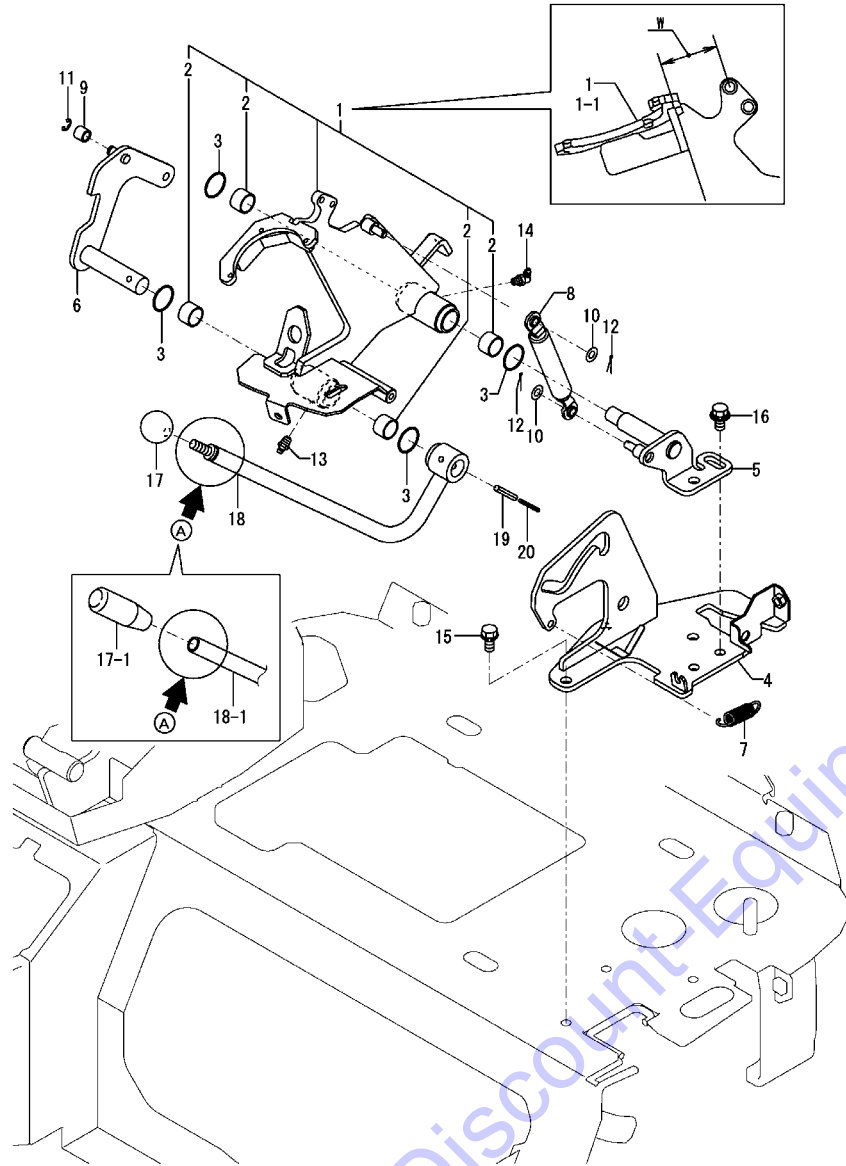
(A)=VIO17(US) (D)=VIO17(SG)
 (B)=VIO17(AS) (E)=
 (C)=VIO17(NZ) (F)=

REF.	LEV.	PARTS NO.	DESCRIPTION	Q'TY						I	R
				(A)	(B)	(C)	(D)	(E)	(F)		
1	1	1D4070-23580	GRIP,RED ROUND	1	1	1	1				
1-1	1	172A77-46050	GRIP,RED	1	1	1	1				S
		(A=MZZZZZ) (B=MZZZZZ) (C=MZZZZZ) (D=MZZZZZ)									
2	1	172165-45970	SPRING	1	1	1	1				
3	1	172A64-46450	LOCK LEVER ASSY,R(49	1	1	1	1				
3-1	1	172A64-46451	LOCK LEVER ASSY,R	1	1	1	1				F 1
		(A=MZZZZZ) (B=MZZZZZ) (C=MZZZZZ) (D=MZZZZZ)									
4	1	172A64-46470	SHAFT ASSY,R LEVER	1	1	1	1				
5	1	22351-050032	SPRING PIN 5X32	1	1	1	1				
6	1	24311-000210	O-RING 1A P-21.0	3	3	3	3				

Remarks

(1)A=REF.NO.3 M10 SCREW,
 NO.3-1 NO SCREW.
 INTERCHANGEABLE BY SIMULTANEOUS
 REPLACEMENT WITH RE.NO.1-1.

Fig.20. CONTROL EQUIPMENT(LOCK LEVER & STAND)(LEFT)



Remarks

(1)A=REF.NO.18 M10 SCREW,
NO.18-1 NO SCREW.
INTERCHANGEABLE BY SIMULTANEOUS
REPLACEMENT WITH RE.NO.17-1.
(2)REF.NO.1 W=41MM,REF.NO.1-1 W=45MM.

OCS10-G49500 20. CONTROL EQUIPMENT(LOCK LEVER & STAND)(LEFT)

(A)=VIO17(US) (D)=VIO17(SG)
(B)=VIO17(AS) (E)=
(C)=VIO17(NZ) (F)=

REF.	LEV.	PARTS NO.	DESCRIPTION	Q'TY						I	R
				(A)	(B)	(C)	(D)	(E)	(F)		
1	1	172A64-46100	LEVER STAND,L (73)	1	1	1	1				
1-1	1	172A64-46101	LEVER STAND ASSY,L	1	1	1	1				S 2
		(A=M03318) (B=M03318) (C=M03318) (D=M03318)									
2	2	172141-41370	BUSH 2015	4	4	4	4				
3	1	172124-46200	O-RING 27X5.7	4	4	4	4				
4	1	172A64-46210	BASE ASSY,LEVER L(73)	1	1	1	1				
5	1	172A47-46230	PLATE ASSY,BASE L	1	1	1	1				
6	1	172A47-46310	ROD ASSY,SPRING	1	1	1	1				
7	1	172162-46690	SPRING	1	1	1	1				
7-1	1	172A69-46270	SPRING 2.3X15X60	1	1	1	1				N
		(A=M02357) (B=M02357) (C=M02357) (D=M02357)									
8	1	172455-46890	SPRING,GAS	1	1	1	1				
9	1	172165-47550	BUSH	1	1	1	1				
10	1	22137-080000	WASHER 8, POLISHED	2	2	2	2				
11	1	22272-000070	CIRCLIP E- 7	1	1	1	1				
12	1	22417-200200	COTTER PIN 2.0X20	2	2	2	2				
13	1	24761-020000	NIPPLE PT1/8,GREASE	1	1	1	1				
14	1	24761-050000	NIPPLE C,GREASE	1	1	1	1				
15	1	26013-100202	BOLT W/WASHER M10X20	3	3	3	3				
16	1	26014-100252	BOLT 10X25 W/PLW+SPW	2	2	2	2				
17	1	1D4070-23580	GRIP,RED ROUND	1	1	1	1				
17-1	1	172A77-46050	GRIP,RED	1	1	1	1				S
		(A=MZZZZZ) (B=MZZZZZ) (C=MZZZZZ) (D=MZZZZZ)									
18	1	172A47-46343	LOCK LEVER,L(GRAY:49	1	1	1	1				
18-1	1	172A47-46344	ROCK LEVER ASSY,L(49	1	1	1	1				F 1
		(A=MZZZZZ) (B=MZZZZZ) (C=MZZZZZ) (D=MZZZZZ)									
19	1	22351-035040	SPRING PIN 3.5X40	1	1	1	1				
20	1	22351-060040	SPRING PIN 6X40	1	1	1	1				

Fig.21. CONTROL EQUIPMENT(TRAVEL LEVER

(A)=VIO17(US)

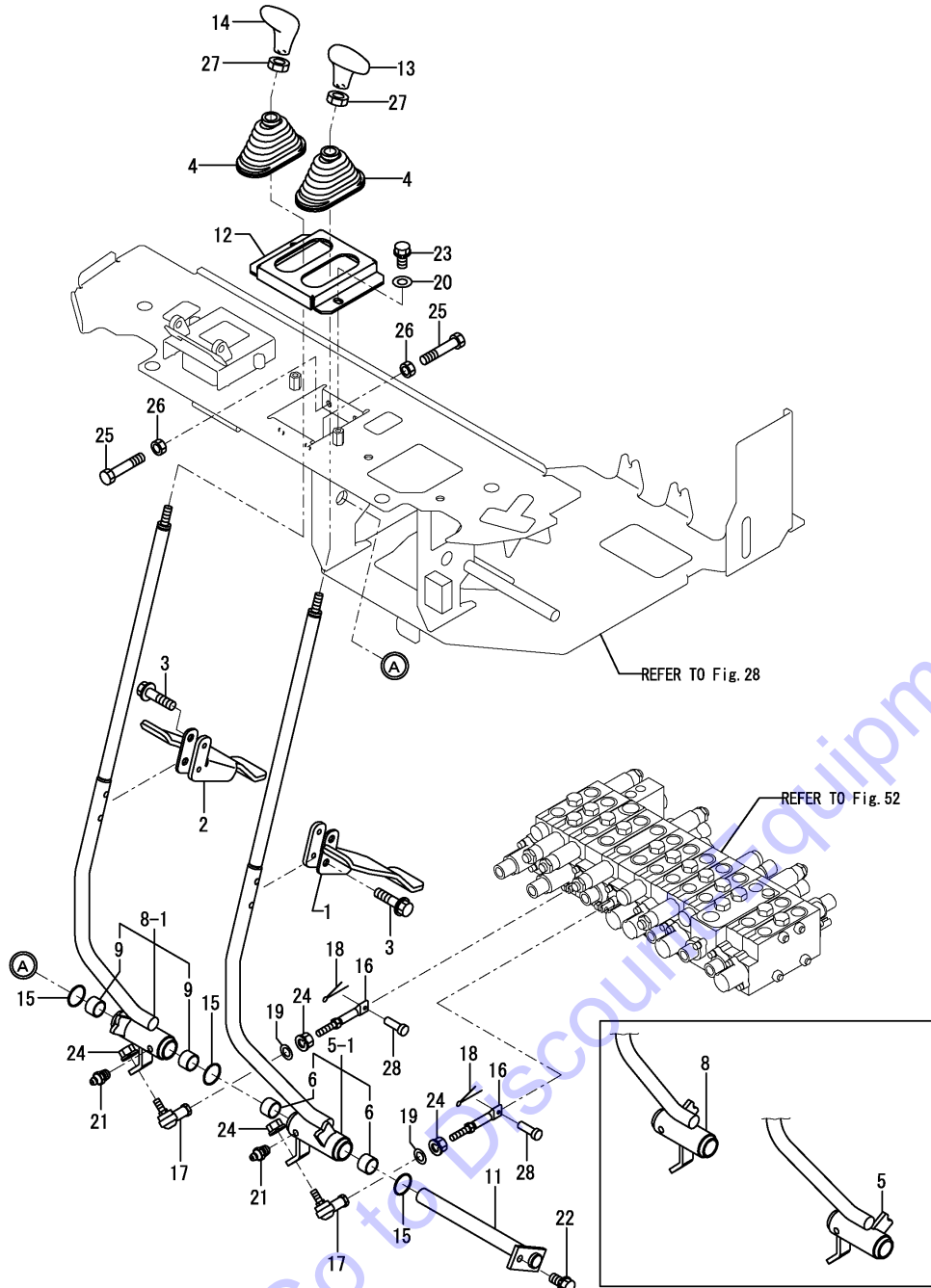
(B)=VIO17(AS)

(C)=VIO17(NZ)

(D)=VIO17(SG)

(E)=

(F)=

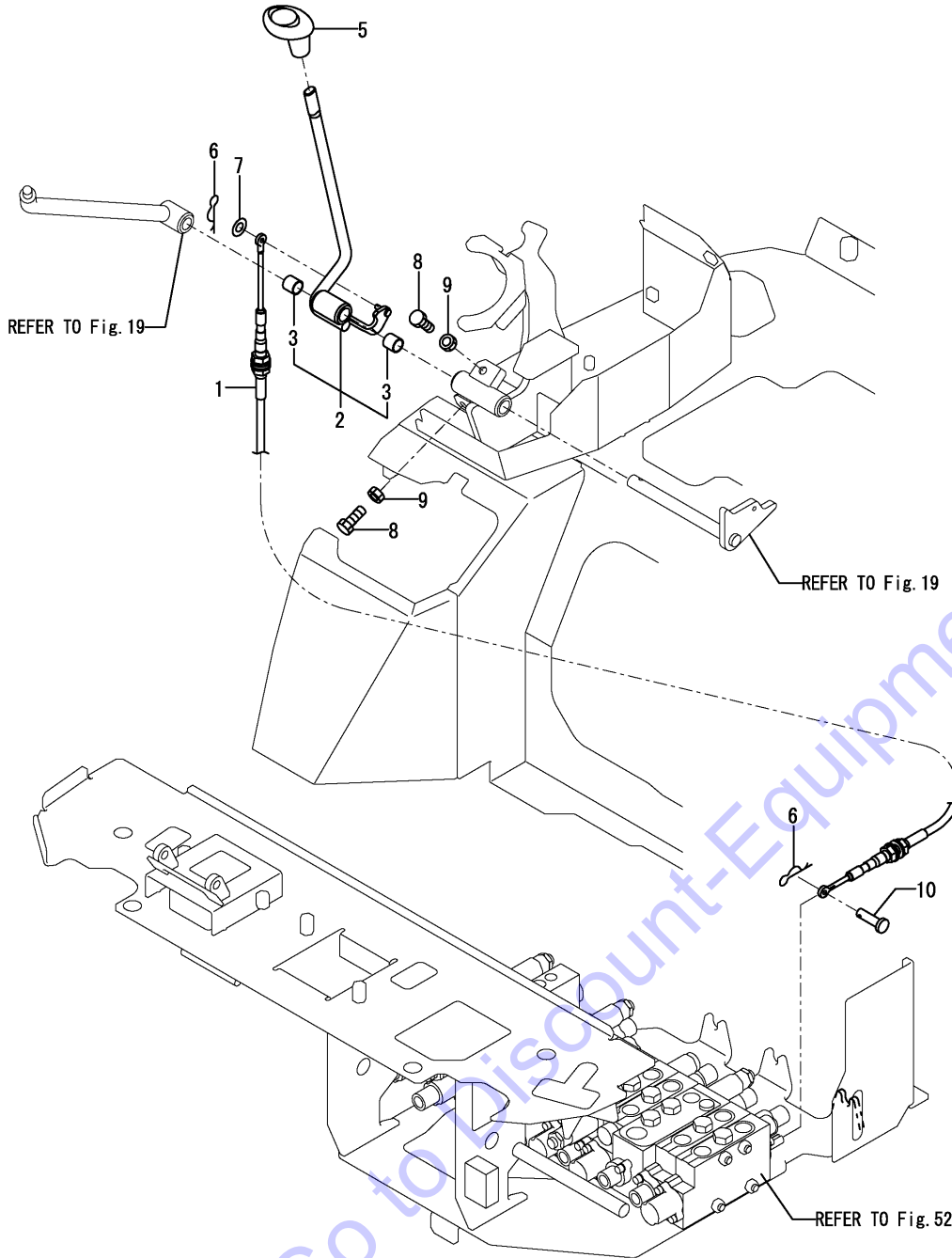


REF.	LEV.	PARTS NO.	DESCRIPTION	Q'TY						I	R
				(A)	(B)	(C)	(D)	(E)	(F)		
1	1	172A47-44200	PEDAL R,TRACK (49)	1	1	1	1				
2	1	172A47-44230	PEDAL L,TRACK (49)	1	1	1	1				
3	1	26106-080302	BOLT M 8X 30 PLATED	4	4	4	4				
4	1	172141-41340	BOOTS	2	2	2	2				
5	1	172A64-45100	LEVER L,TRACK (49)	1	1	1	1				
5-1	1	172A64-45101	LEVER L, TRACK (49)	1	1	1	1				S
		(A=M/#01130) (B=M/#01130) (C=M/#01130) (D=M/#01130)									
6	2	172141-41370	BUSH 2015	2	2	2	2				
8	1	172A64-45130	LEVER R,TRACK (49)	1	1	1	1				
8-1	1	172A64-45131	LEVER R, TRACK (49)	1	1	1	1				S
		(A=M/#01130) (B=M/#01130) (C=M/#01130) (D=M/#01130)									
9	2	172141-41370	BUSH 2015	2	2	2	2				
11	1	172A64-45200	SHAFT ASSY	1	1	1	1				
12	1	172458-45510-1	BRACKET,BOOT(GRAY:49)	1	1	1	1				
13	1	172164-45951	GRIP L, DRIV.	1	1	1	1				
14	1	172164-45961	GRIP R, DRIV.	1	1	1	1				
15	1	172124-46200	O-RING 27X5.7	3	3	3	3				
16	1	172124-46340	ROD (A), SPOOL	2	2	2	2				
17	1	172122-46590	ELBALL 8	2	2	2	2				
18	1	1C6281-52310	PIN 6,COME-OFF SNAP	2	2	2	2				
19	1	22117-080000	WASHER 8	2	2	2	2				
20	1	22137-080000	WASHER 8, POLISHED	2	2	2	2				
21	1	24761-020000	NIPPLE PT1/8,GREASE	2	2	2	2				
22	1	26013-080162	BOLT W/WASHER M8X16	1	1	1	1				
23	1	26013-080162	BOLT W/WASHER M8X16	2	2	2	2				
24	1	26051-080002	NUT M 8	4	4	4	4				
25	1	26116-080404	BOLT M 8X 40 PLATED	4	4	4	4				
26	1	26756-080002	LOCK NUT M 8 PLATED	4	4	4	4				
27	1	26756-100002	LOCK NUT M10 PLATED	2	2	2	2				
28	1	933110-54100	PIN 4.75X14	2	2	2	2				

Fig.22. CONTROL EQUIPMENT(BLADE LEVER)

(A)=VIO17(US)
 (B)=VIO17(AS)
 (C)=VIO17(NZ)

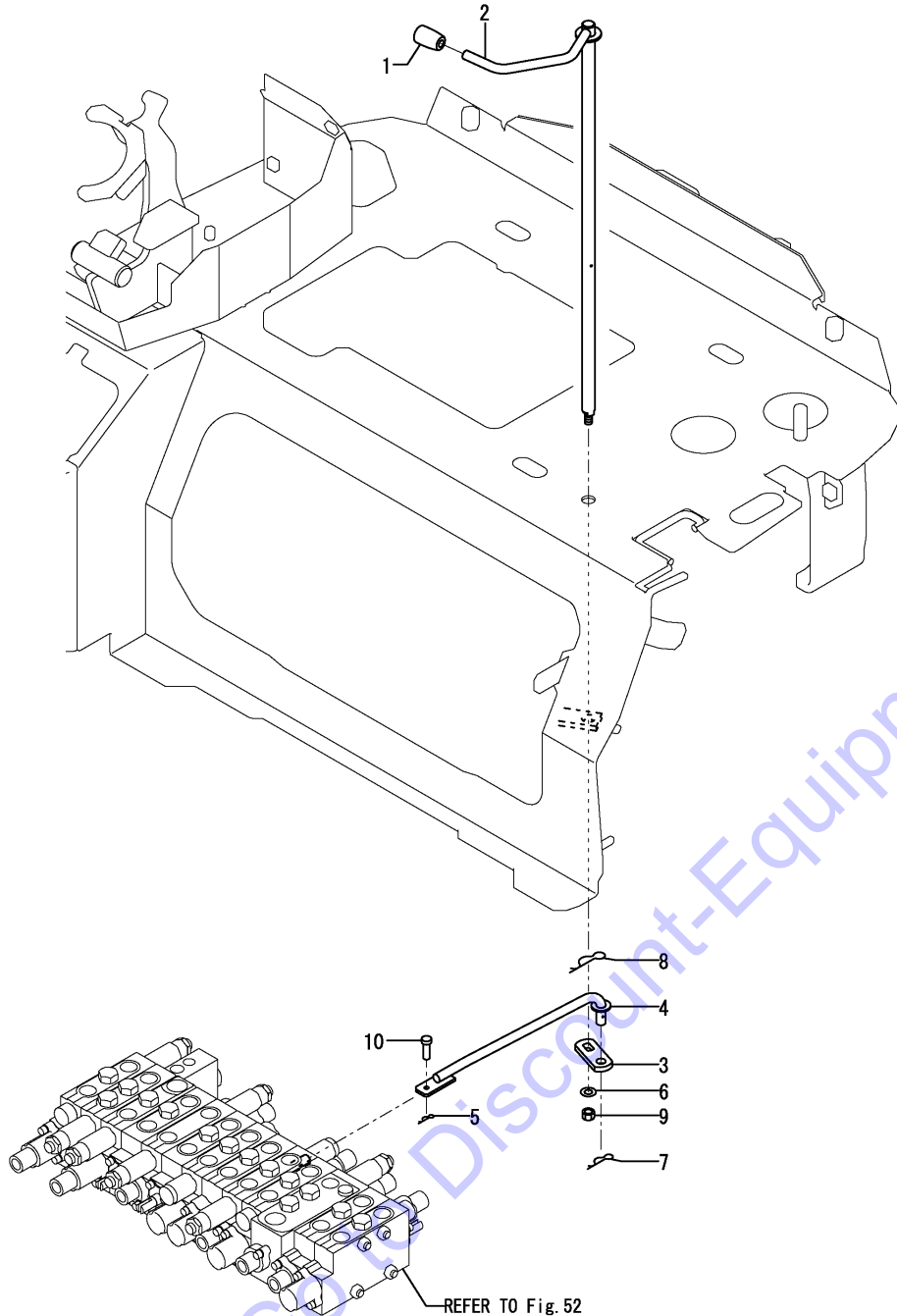
(D)=VIO17(SG)
 (E)=
 (F)=



REF.	LEV.	PARTS NO.	DESCRIPTION	Q'TY						I	R
				(A)	(B)	(C)	(D)	(E)	(F)		
1	1	172A64-45690	CABLE, BLADE	1	1	1	1				
2	1	172A64-45700	BLADE LEVER ASSY(49)	1	1	1	1				
3	2	172141-41360	BUSH 1415	2	2	2	2				
5	1	172164-45970	GRIP, BLADE	1	1	1	1				
6	1	1C6281-52310	PIN 6, COME-OFF SNAP	2	2	2	2				
7	1	22137-050000	WASHER 5, POLISHED	1	1	1	1				
8	1	26116-080254	BOLT M 8X 25 PLATED	2	2	2	2				
9	1	26756-080002	LOCK NUT M 8 PLATED	2	2	2	2				
10	1	933110-54100	PIN 4.75X14	2	2	2	2				

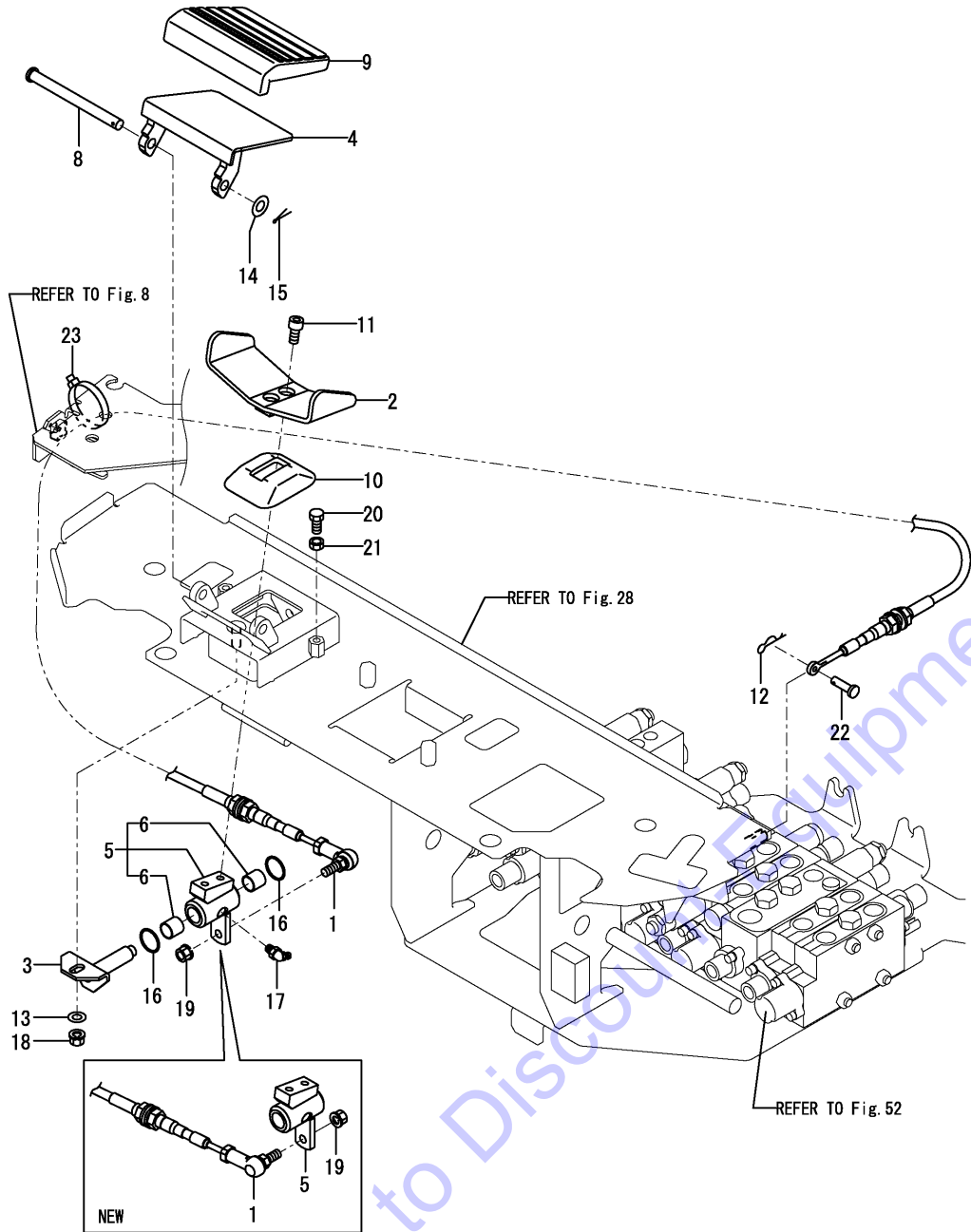
Fig.23. CONTROL EQUIPMENT(VARIABLE LEG LEVER)

(A)=VIO17(US) (D)=VIO17(SG)
 (B)=VIO17(AS) (E)=
 (C)=VIO17(NZ) (F)=



REF.	LEV.	PARTS NO.	DESCRIPTION	Q'TY						I	R
				(A)	(B)	(C)	(D)	(E)	(F)		
1	1	194150-01190	KNOB, THROTTLE LEVER	1	1	1	1				
2	1	172A64-45800	LEVER ASSY, W-N	1	1	1	1				
3	1	172A64-45840	PLATE, LINK	1	1	1	1				
4	1	172A64-45850	LINK ARM ASSY,W-N	1	1	1	1				
5	1	1C6281-52310	PIN 6,COME-OFF SNAP	1	1	1	1				
6	1	22137-080000	WASHER 8, POLISHED	1	1	1	1				
7	1	22372-100000	SNAP PIN 10	1	1	1	1				
8	1	22372-140000	SNAP PIN 14	1	1	1	1				
9	1	26347-080002	U-NUT M 8	1	1	1	1				
10	1	933110-54100	PIN 4.75X14	1	1	1	1				

Fig.24. CONTROL EQUIPMENT(SWING PEDAL)



(A)=VIO17(US) (D)=VIO17(SG)
 (B)=VIO17(AS) (E)=
 (C)=VIO17(NZ) (F)=

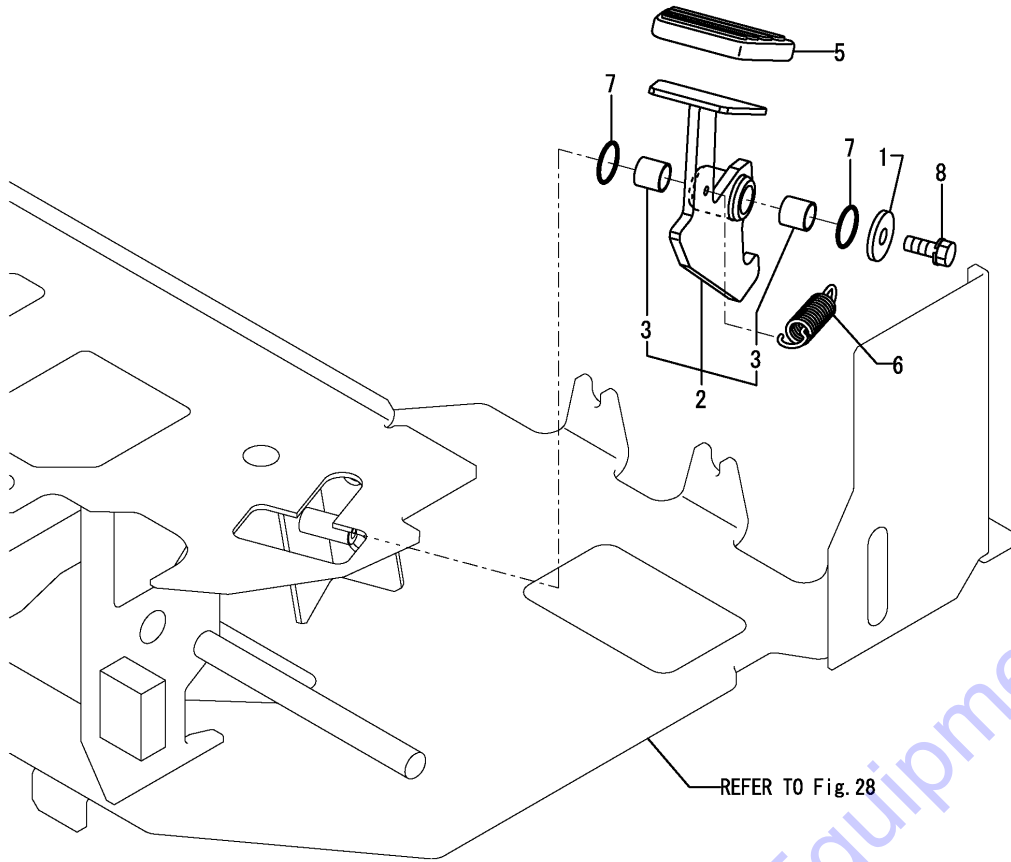
REF.	LEV.	PARTS NO.	DESCRIPTION	QTY						I	R
				(A)	(B)	(C)	(D)	(E)	(F)		
1	1	172A64-45280	CABLE, SWING	1	1	1	1				
2	1	172458-45521-1	PEDAL, SWING(GRAY:49)	1	1	1	1				
3	1	172187-45530	SHAFT CMP	1	1	1	1				
4	1	172458-45540-1	COVER, PEDAL (GRAY:49)	1	1	1	1				
5	1	172A64-45650	LINK, ASSY	1	1	1	1				
6	2	172141-41360	BUSH 1415	2	2	2	2				
8	1	172187-45651	SHAFT, PEDAL COVER	1	1	1	1				
9	1	172187-45760	COVER PAD	1	1	1	1				
10	1	172157-45990	BOOTS, PEDAL	1	1	1	1				
11	1	172165-46340	BOLT	2	2	2	2				
12	1	1C6281-52310	PIN 6, COME-OFF SNAP	1	1	1	1				
13	1	22137-080000	WASHER 8, POLISHED	1	1	1	1				
14	1	22137-100000	WASHER 10, POLISHED	1	1	1	1				
15	1	22417-250200	COTTER PIN 2.5X20	1	1	1	1				
16	1	24311-000210	O-RING 1A P-21.0	2	2	2	2				
17	1	24761-040000	NIPPLE B, GREASE	1	1	1	1				
18	1	26051-080002	NUT M 8	1	1	1	1				
19	1	26051-080002	NUT M 8	1	1	1	1				
20	1	26116-080254	BOLT M 8X 25 PLATED	2	2	2	2				
21	1	26716-080002	NUT M 8	2	2	2	2				
22	1	933110-54100	PIN 4.75X14	1	1	1	1				
23	1	172614-16520	BAND 100	1	1	1	1				W

(A)=M/#XXXXXX (B)=M/#XXXXXX (C)=M/#XXXXXX (D)=M/#XXXXXX

Fig.25. CONTROL EQUIPMENT(LOW-HIGH PEDAL)

(A)=VIO17(US)
 (B)=VIO17(AS)
 (C)=VIO17(NZ)

(D)=VIO17(SG)
 (E)=
 (F)=



REF.	LEV.	PARTS NO.	DESCRIPTION	Q'TY						I	R
				(A)	(B)	(C)	(D)	(E)	(F)		
1	1	1A1040-43900	SPRING WASHER	1	1	1	1				
2	1	172A64-45900	PEDAL ASSY (GRAY:49)	1	1	1	1				
3	2	172141-41360	BUSH 1415	2	2	2	2				
5	1	172458-45950	PAD,PEDAL	1	1	1	1				
6	1	172162-46690	SPRING	1	1	1	1				
7	1	24311-000210	O-RING 1A P-21.0	2	2	2	2				
8	1	26013-080162	BOLT W/WASHER M8X16	1	1	1	1				

Go to Discount-Equipment.com to order your parts

Fig.26. CONTROL EQUIPMENT(P.T.O. PEDAL)

(A)=VIO17(US)

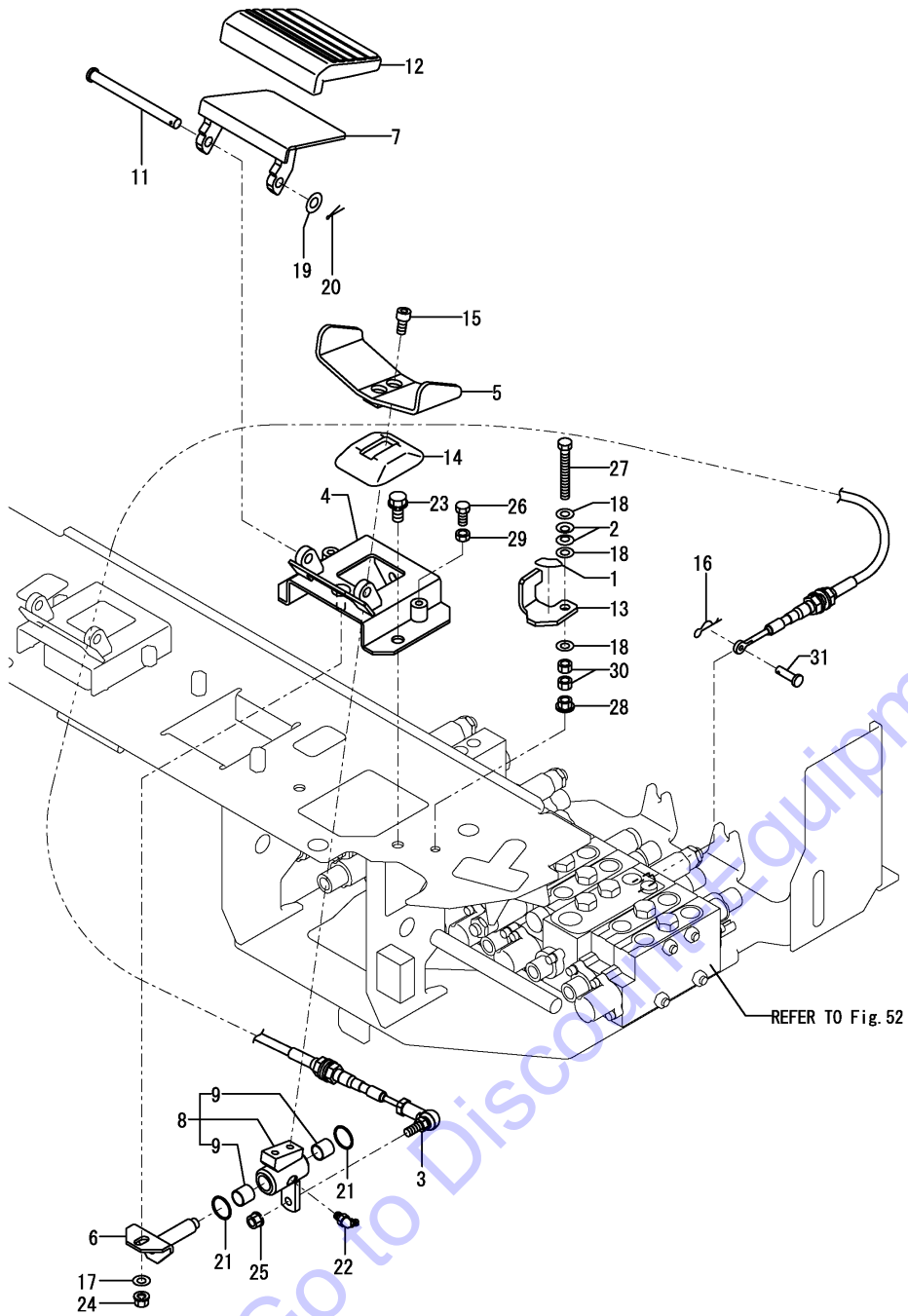
(B)=VIO17(AS)

(C)=VIO17(NZ)

(D)=VIO17(SG)

(E)=

(F)=

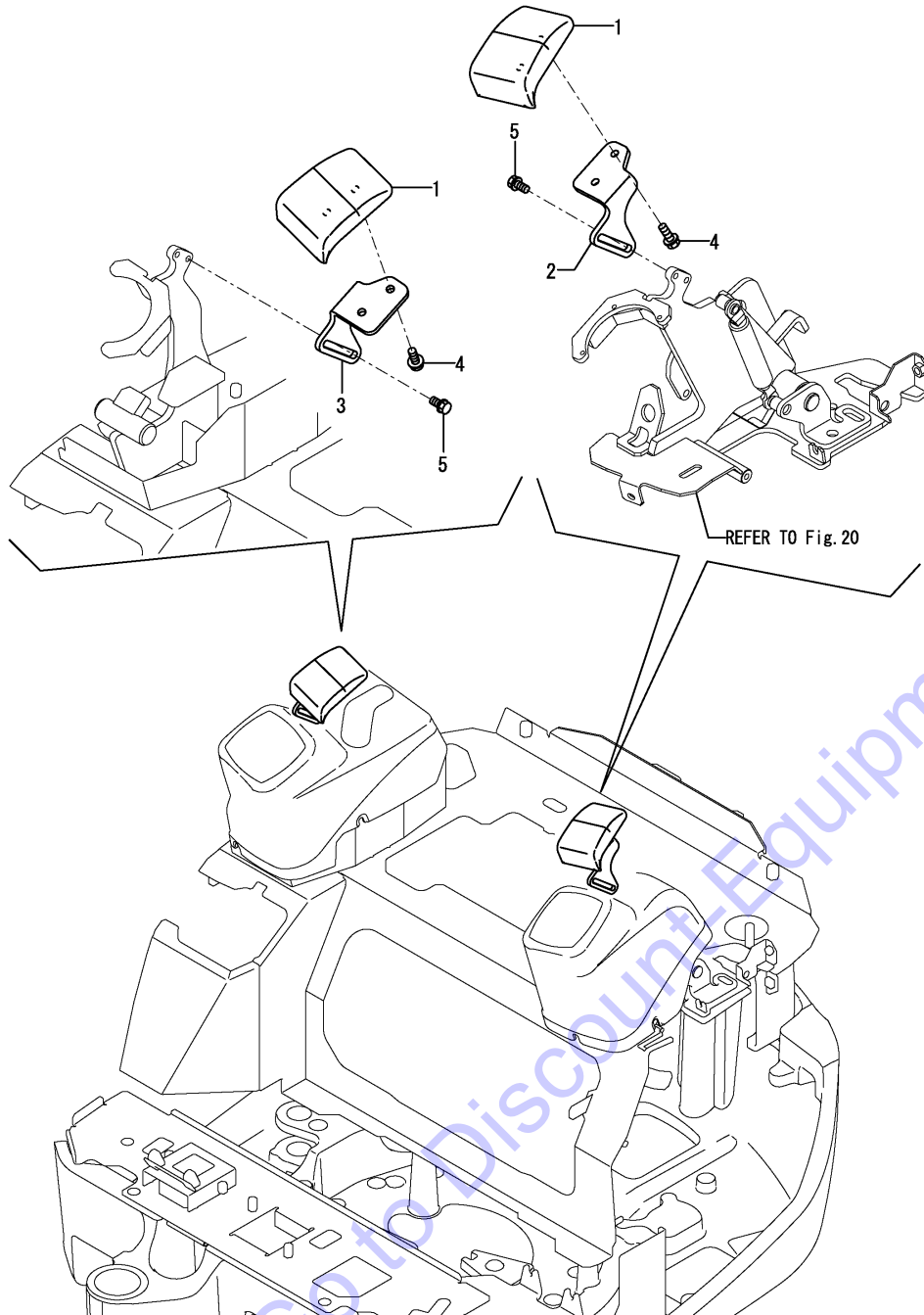


REF.	LEV.	PARTS NO.	DESCRIPTION	Q'TY						I	R
				(A)	(B)	(C)	(D)	(E)	(F)		
1	1	172458-03240	LABEL, LOCK	1	1	1	1				
2	1	172068-28490	SPRING 8	2	2	2	2				
3	1	172A64-45290	CABLE, PTO	1	1	1	1				
4	1	172448-45380-1	BRACKET, PTO (GRAY:49)	1	1	1	1				
5	1	172458-45521-1	PEDAL, SWING (GRAY:49)	1	1	1	1				
6	1	172187-45530	SHAFT CMP	1	1	1	1				
7	1	172458-45540-1	COVER, PEDAL (GRAY:49)	1	1	1	1				
8	1	172A64-45650	LINK, ASSY	1	1	1	1				
9	2	172141-41360	BUSH 1415	2	2	2	2				
11	1	172187-45651	SHAFT, PEDAL COVER	1	1	1	1				
12	1	172187-45760	COVER PAD	1	1	1	1				
13	1	172448-45800-3	PLATE, LOCK (PTO) (10)	1	1	1	1				
14	1	172157-45990	BOOTS, PEDAL	1	1	1	1				
15	1	172165-46340	BOLT	2	2	2	2				
16	1	1C6281-52310	PIN 6, COME-OFF SNAP	1	1	1	1				
17	1	22137-080000	WASHER 8, POLISHED	1	1	1	1				
18	1	22137-080000	WASHER 8, POLISHED	3	3	3	3				
19	1	22137-100000	WASHER 10, POLISHED	1	1	1	1				
20	1	22417-250200	COTTER PIN 2.5X20	1	1	1	1				
21	1	24311-000210	O-RING 1A P-21.0	2	2	2	2				
22	1	24761-040000	NIPPLE B, GREASE	1	1	1	1				
23	1	26013-100202	BOLT W/WASHER M10X20	2	2	2	2				
24	1	26051-080002	NUT M 8	1	1	1	1				
25	1	26051-080002	NUT M 8	1	1	1	1				
26	1	26116-080254	BOLT M 8X 25 PLATED	2	2	2	2				
27	1	26116-080604	BOLT M8X 60	1	1	1	1				
28	1	26366-080002	NUT M 8	1	1	1	1				
29	1	26716-080002	NUT M 8	2	2	2	2				
30	1	26757-080002	LOCK NUT M 8 PLATED	2	2	2	2				
31	1	933110-54100	PIN 4.75X14	1	1	1	1				

Fig.27. ARM REST

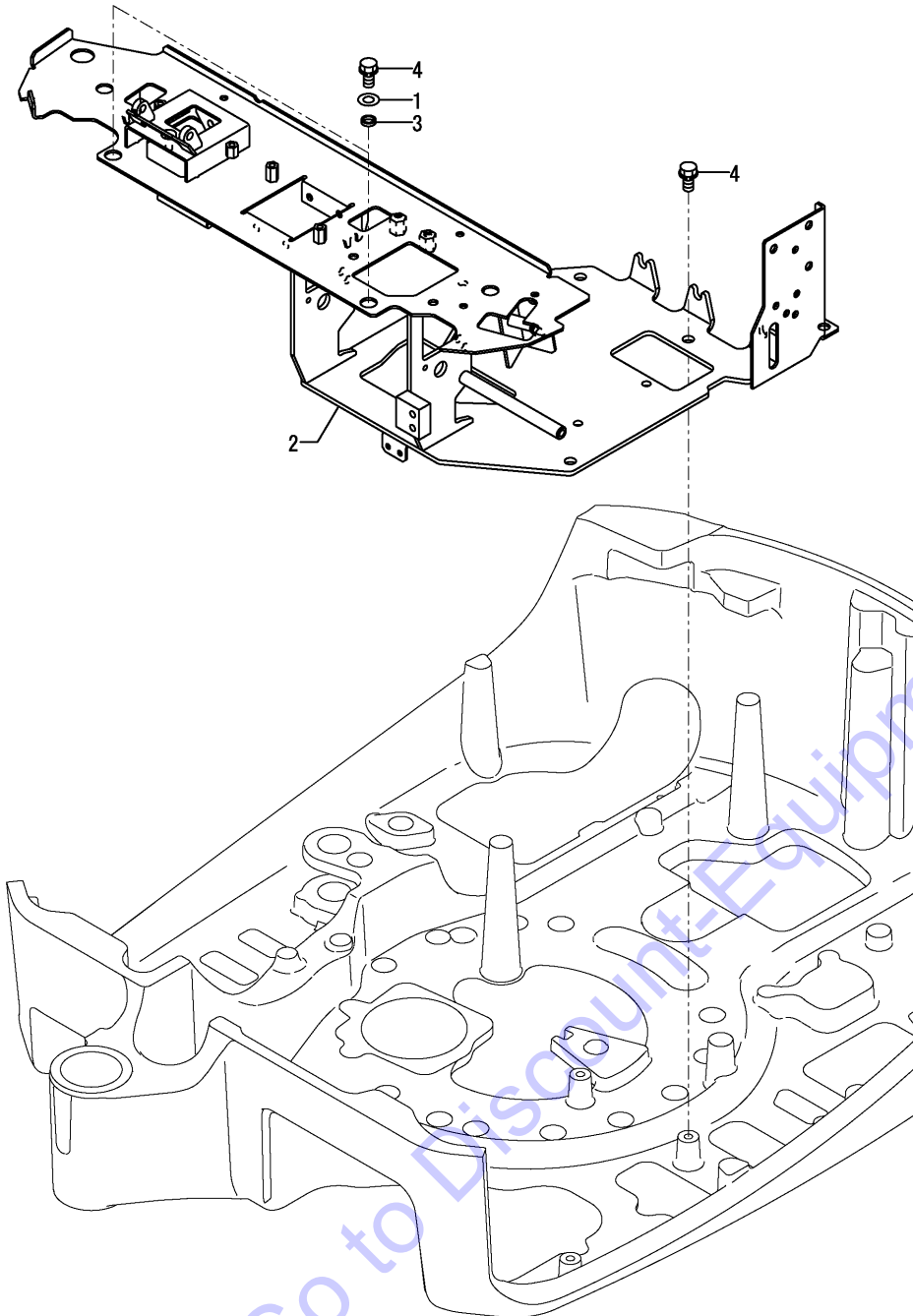
(A)=VIO17(US)
 (B)=VIO17(AS)
 (C)=VIO17(NZ)

(D)=VIO17(SG)
 (E)=
 (F)=



REF.	LEV.	PARTS NO.	DESCRIPTION	Q'TY						I	R
				(A)	(B)	(C)	(D)	(E)	(F)		
1	1	172441-44320	ARM REST	2	2	2	2				
2	1	172A46-46500	GUIDE ASSY L (49)	1	1	1	1				
3	1	172A46-46530	PLATE, GUIDE R(GRAY49)	1	1	1	1				
4	1	172519-63240	BOLT 8X 16	4	4	4	4				
5	1	172519-63240	BOLT 8X 16	4	4	4	4				

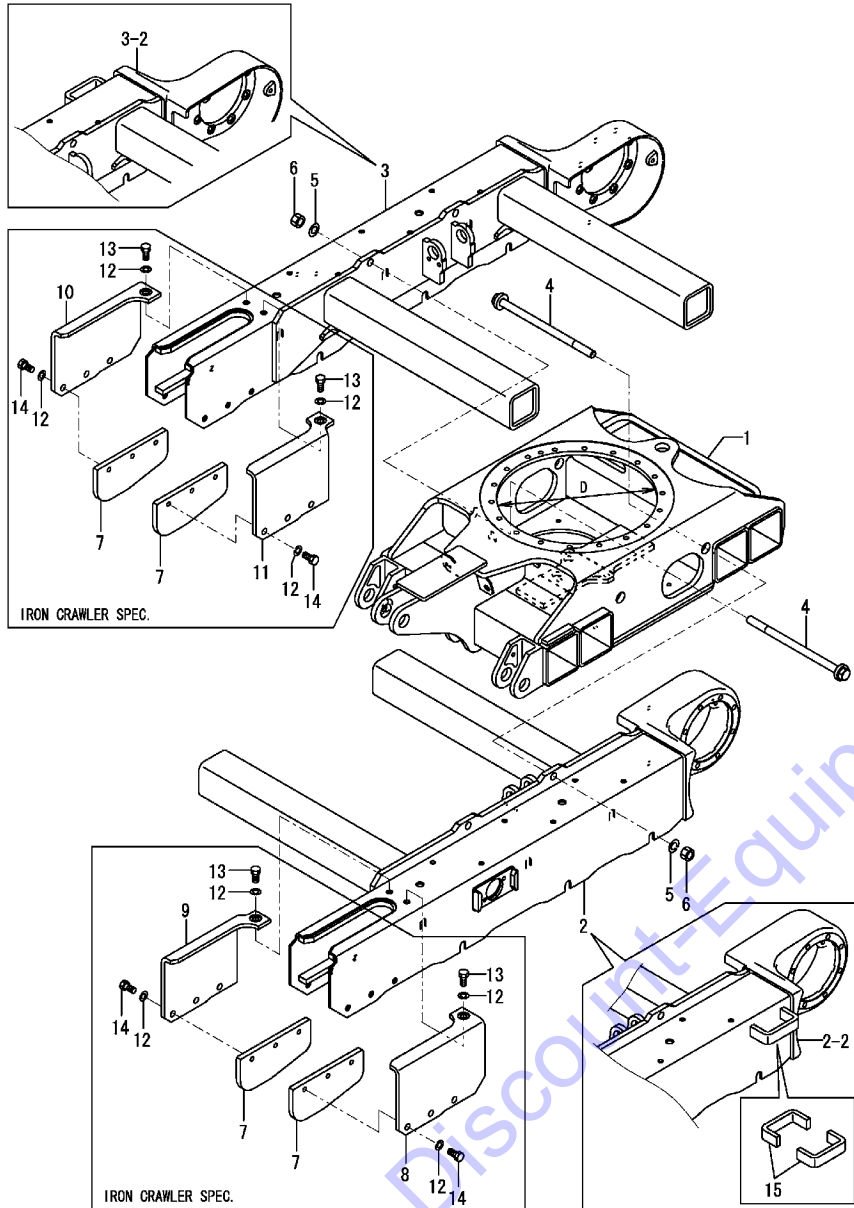
Fig.28. CONTROL VALVE PLATE



(A)=VIO17(US)
 (B)=VIO17(AS)
 (C)=VIO17(NZ)
 (D)=VIO17(SG)
 (E)=
 (F)=

REF.	LEV.	PARTS NO.	DESCRIPTION	Q'TY						I	R
				(A)	(B)	(C)	(D)	(E)	(F)		
1	1	172730-05250	WASHER 12	2	2	2	2				
2	1	172A64-45420	VALVE STAND ASSY(49)	1	1	1	1				
2-1	1	172A64-45421	VALVE STAND ASSY(49)	1	1	1	1				N
		(A=M/# 00977) (B=M/# 00977) (C=M/# 00977) (D=M/# 00977)									
3	1	172A64-45580	COLLAR, 17.3X2.3X4	2	2	2	2				
4	1	26013-120252	BOLT M12X 25	6	6	6	6				

Fig.29. TRACK FRAME



Remarks
 (1)REMODELING KIT.
 (2)REF.NO.1 D=340MM,
 REF.NO.1-1 D= 330MM.

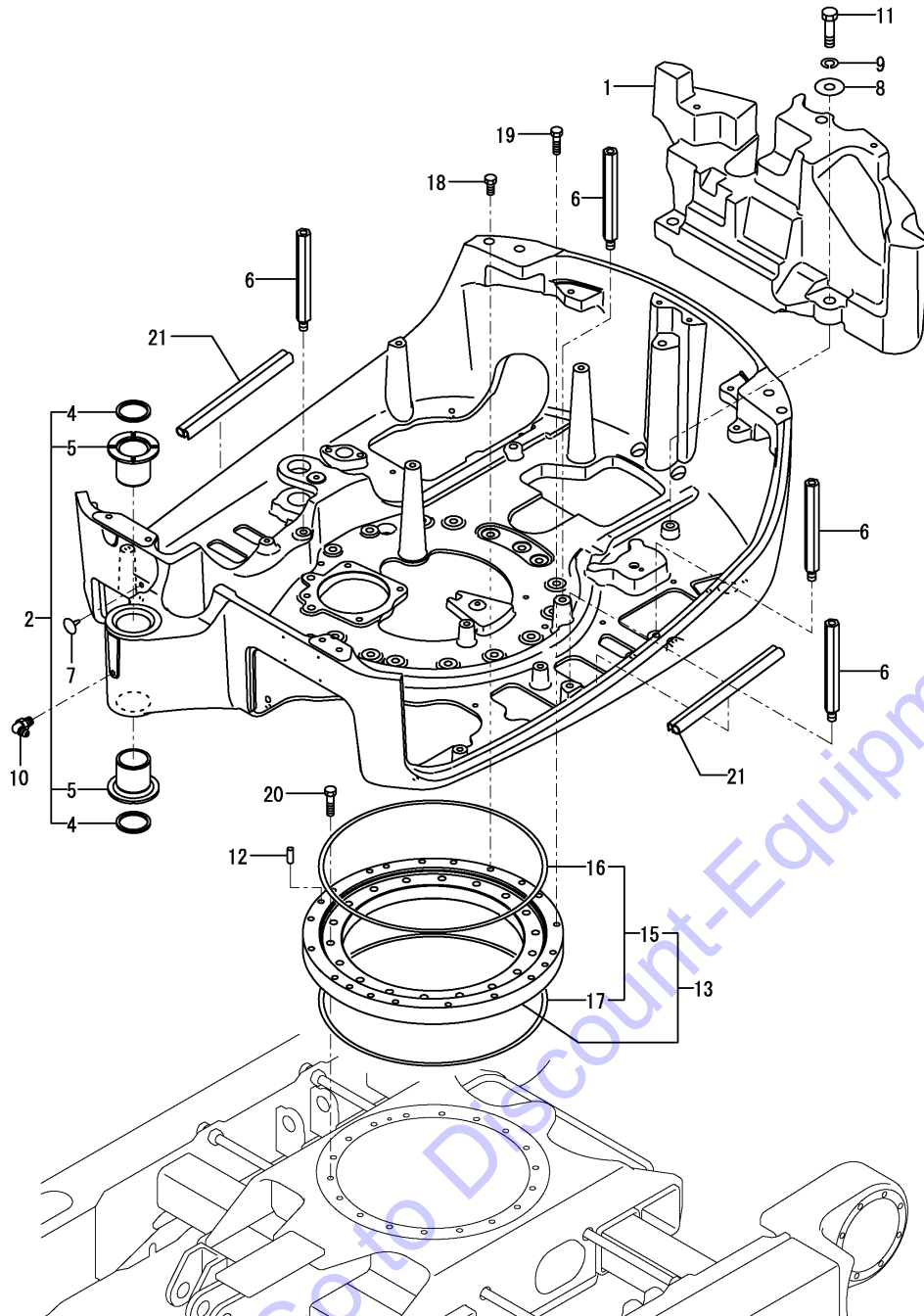
(A)=VIO17(US) (D)=VIO17(SG)
 (B)=VIO17(AS) (E)=
 (C)=VIO17(NZ) (F)=

REF.	LEV.	PARTS NO.	DESCRIPTION	QTY						I	R
				(A)	(B)	(C)	(D)	(E)	(F)		
1	1	172A64-50200	FRAME,L-CENTER (49)	1	1	1	1				
1-1	1	172A64-50201	FRAME ASSY,L-CENTER	1	1	1	1			S	2
		(A=M/#XXXXX) (B=M/#XXXXX) (C=M/#XXXXX) (D=M/#XXXXX)									
2	1	172A64-50400	FRAME,CRAWLER L(49)	1	1	1	1				
2-1	1	172A64-50401	FRAME,CRAWLER L(49)	1	1	1	1				N
		(A=M/#XXXXX) (B=M/#XXXXX) (C=M/#XXXXX) (D=M/#XXXXX)									
2-2	1	172A64-50630	FRAME,CRAWLER L(49)	1							N
		(A=M/#XXXXX)									
2-3A	1	172A64-50402	FRAME,CRAWLER L(49)		1	1	1				N
		(B=MZZZZZ) (C=MZZZZZ) (D=MZZZZZ)									
2-3B	1	172A64-50631	FRAME,CRAWLER L(49)	1							N
		(A=MZZZZZ)									
3	1	172A64-50410	FRAME,CRAWLER R(49)	1	1	1	1				
3-1	1	172A64-50411	FRAME,CRAWLER R(49)	1	1	1	1				N
		(A=M/#XXXXX) (B=M/#XXXXX) (C=M/#XXXXX) (D=M/#XXXXX)									
3-2	1	172A64-50640	FRAME,CRAWLER R(49)	1							N
		(A=M/#XXXXX)									
3-3A	1	172A64-50412	FRAME,CRAWLER R(49)		1	1	1				N
		(B=MZZZZZ) (C=MZZZZZ) (D=MZZZZZ)									
3-3B	1	172A64-50641	FRAME,CRAWLER R(49)	1							N
		(A=MZZZZZ)									
4	1	172A64-50700	BOLT ASSY, STOPPER	4	4	4	4				
4-1	1	172A64-50701	BOLT ASSY, STOPPER	4	4	4	4				R
		(A=M/#01272) (B=M/#01272) (C=M/#01272) (D=M/#01272)									
5	1	22212-160000	SPRING WAHER 16	4	4	4	4				
6	1	26716-160002	NUT M16	8	8	8	8				
7	1	172448-50800-1	GUARD,SHOE (GRAY:49)								4
8	1	172A64-50810	PLATE, SIDE LL (49)								1
9	1	172A64-50820	PLATE, SIDE LR (49)								1
10	1	172A64-50830	PLATE, SIDE RR (49)								1
11	1	172A64-50840	PLATE, SIDE RL (49)								1
12	1	22217-120000	WASHER, 12								16
13	1	26076-120252	BOLT, 12 X 25								4
14	1	26076-120302	BOLT, 12 X 30								12
15	1	172A64-50950	TIE DOWN KIT	1							W 1
		(A=M/#XXXXX)									

Fig.30. TURNING FRAME & TURNING BEARING

(A)=VIO17(US)
(B)=VIO17(AS)
(C)=VIO17(NZ)

(D)=VIO17(SG)
(E)=
(F)=

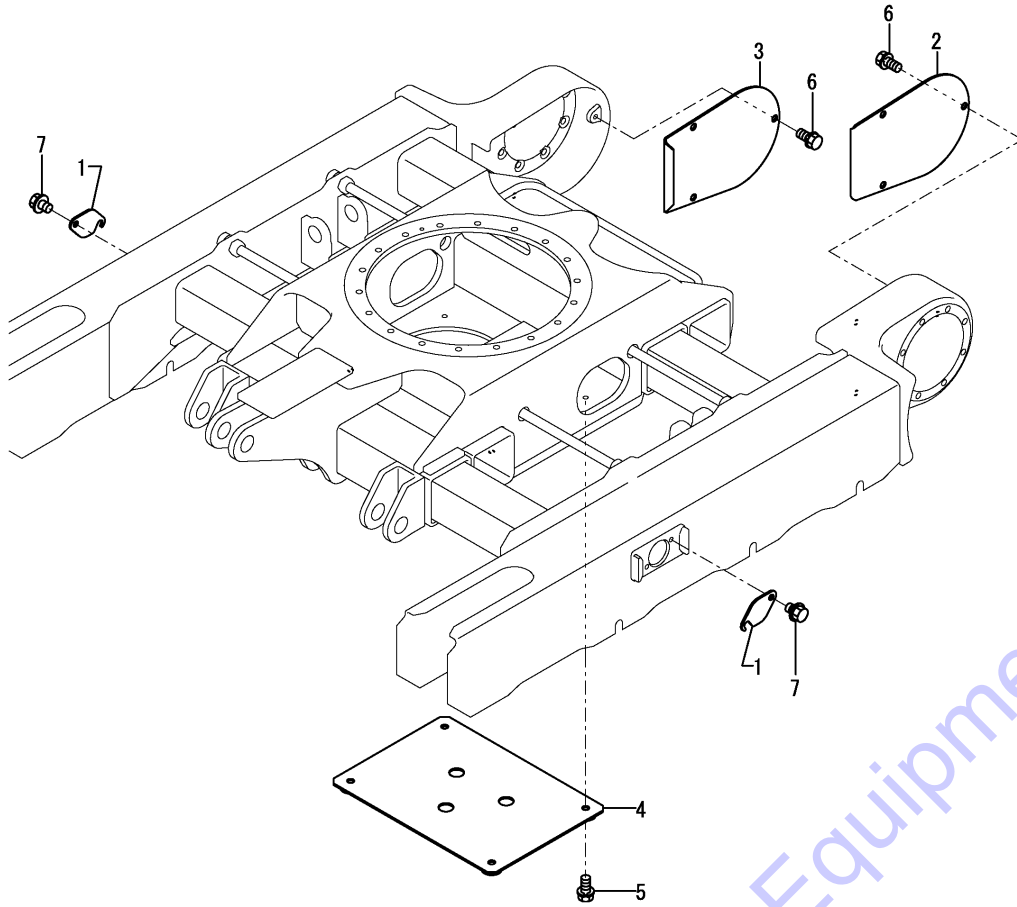


REF.	LEV.	PARTS NO.	DESCRIPTION	Q'TY						I	R
				(A)	(B)	(C)	(D)	(E)	(F)		
1	1	172A64-53300	WEIGHT (GRAY:49)	1	1	1	1				
2	1	172A64-54100	FRAME,TURNING (49)	1	1	1	1				
4	2	172448-54120	SEAL 50X60X4,DUST	2	2	2	2				
5	2	172171-54750	BUSH 50X65	2	2	2	2				
6	1	172A64-54230	SUPPORT, STAND 185	4	4	4	4				
7	1	172176-68210	TREE CLIP (12)	2	2	2	2				
8	1	22157-140000	WASHER 14	3	3	3	3				
9	1	22212-160000	SPRING WAHER 16	3	3	3	3				
10	1	24761-050000	NIPPLE C,GREASE	1	1	1	1				
11	1	26116-160602	BOLT M16X 60 PLATED	3	3	3	3				
12	1	194940-24350	PIN 10X28,STRAIGHT	3	3	3	3				
13	1	172447-57600	BEARING,TURNING	1	1	1	1				
15	2	172149-57610	SEAL SET	1	1	1	1				
16	3	172149-57620	SEAL, UPPER	1	1	1	1				
17	3	172149-17630	TUBE	1	1	1	1				
18	1	26076-120252	BOLT 12* 25	3	3	3	3				
19	1	26076-120402	BOLT 10.9 12X 4	14	14	14	14				
20	1	26076-120452	BOLT M12X 45 PLATED	18	18	18	18				
21	1	172444-54920	SEAL,WEIGHT C	2	2	2	2				

Fig.31. COVER(LOWER)

(A)=VIO17(US)
 (B)=VIO17(AS)
 (C)=VIO17(NZ)

(D)=VIO17(SG)
 (E)=
 (F)=



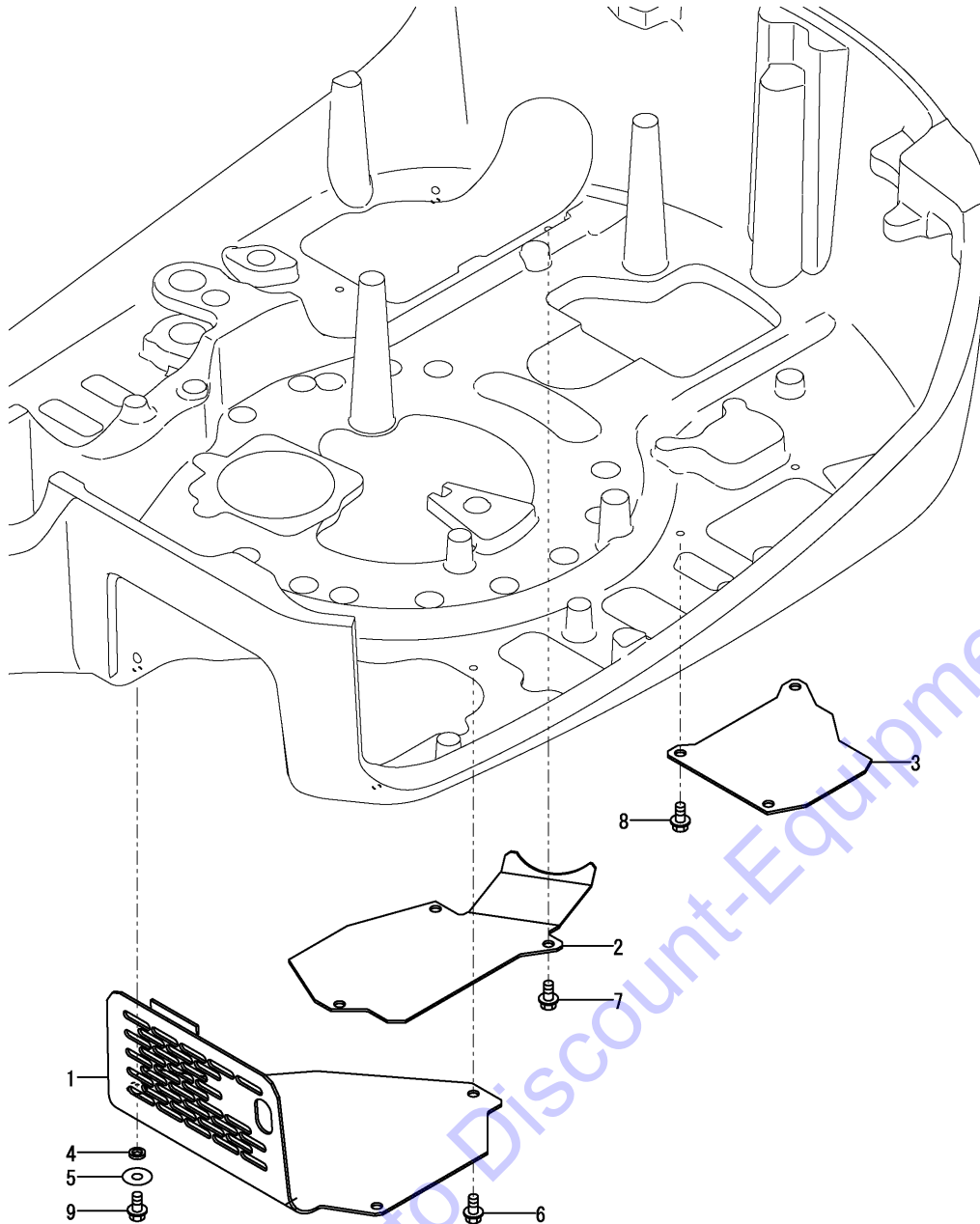
REF.	LEV.	PARTS NO.	DESCRIPTION	Q'TY						I	R
				(A)	(B)	(C)	(D)	(E)	(F)		
1	1	172458-50480-2	COVER,FRAME(GRAY:49)	2	2	2	2				
2	1	172A64-61500	COVER,MOTOR(GRAY:49)	1	1	1	1				
3	1	172A64-61510	COVER R,MOTOR (49)	1	1	1	1				
4	1	172A64-61520	COVER ASSY,SJ (49)	1	1	1	1				
5	1	26013-100202	BOLT W/WASHER M10X20	4	4	4	4				
6	1	26014-100202	BOLT M10X 20	6	6	6	6				
7	1	26106-100122	BOLT M10X 12 PLATED	4	4	4	4				

Go to Discount-Equipment.com to order parts

Fig.32. COVER(TURNING FRAME UNDER)

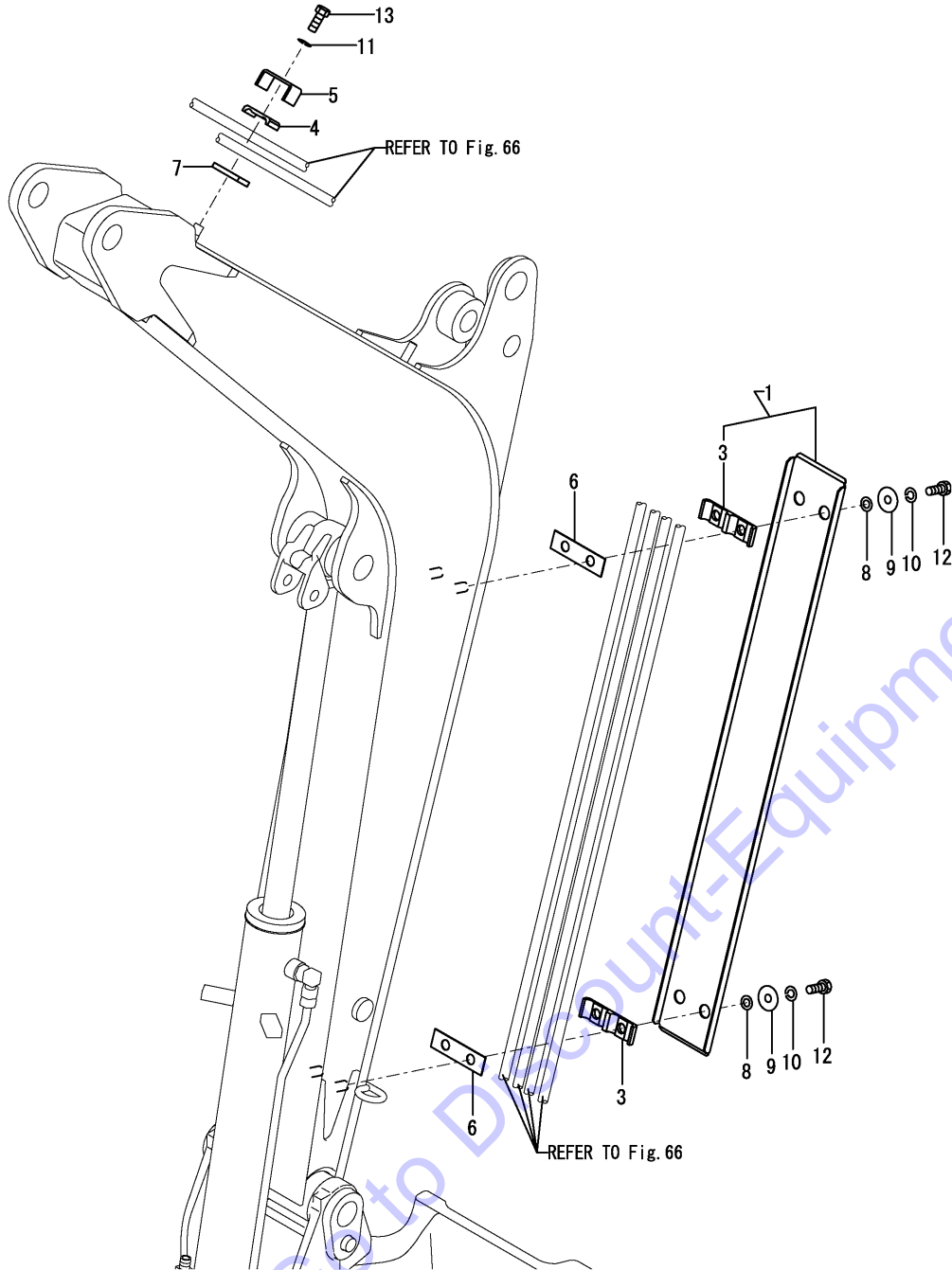
(A)=VIO17(US)
 (B)=VIO17(AS)
 (C)=VIO17(NZ)

(D)=VIO17(SG)
 (E)=
 (F)=



REF.	LEV.	PARTS NO.	DESCRIPTION	Q'TY						I	R
				(A)	(B)	(C)	(D)	(E)	(F)		
1	1	172A64-61310	COVER ASSY,C/V (49)	1	1	1	1				
2	1	172A64-61340	UNDER COVER,EX (49)	1	1	1	1				
3	1	172A64-61350	COVER,PUMP (GRAY:49)	1	1	1	1				
4	1	172A64-61360	COLLAR	1	1	1	1				
5	1	22157-100000	WASHER 10	1	1	1	1				
6	1	26106-100162	BOLT M10X 16 PLATED	2	2	2	2				
7	1	26106-100162	BOLT M10X 16 PLATED	3	3	3	3				
8	1	26106-100162	BOLT M10X 16 PLATED	3	3	3	3				
9	1	26106-100202	BOLT M10X 20 PLATED	1	1	1	1				

Fig.33. COVER(HOSE)



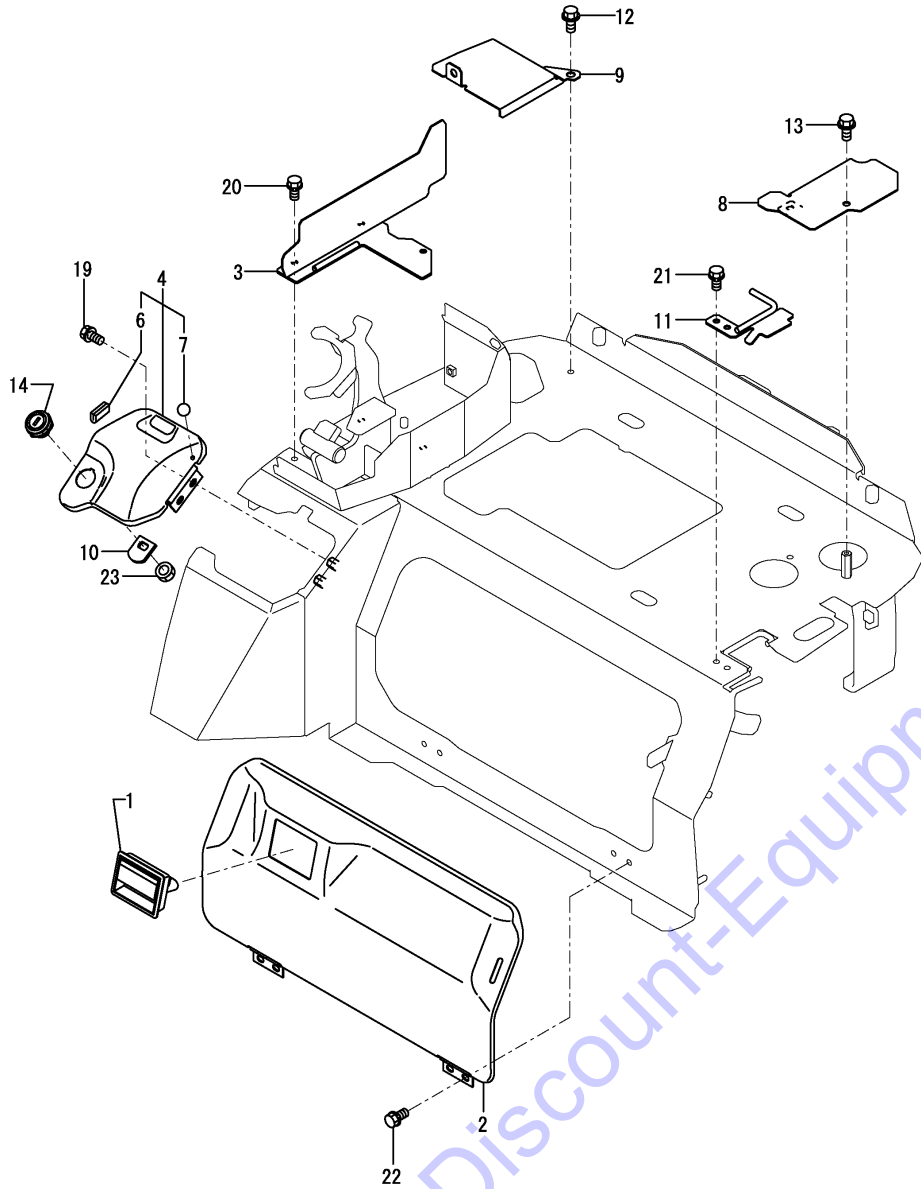
(A)=VIO17(US)
 (B)=VIO17(AS)
 (C)=VIO17(NZ)
 (D)=VIO17(SG)
 (E)=
 (F)=

REF.	LEV.	PARTS NO.	DESCRIPTION	Q'TY						I	R
				(A)	(B)	(C)	(D)	(E)	(F)		
1	1	172A64-61550-1	COVER ASSY, HOSE(2J)	1	1	1	1				
1-1	1	172A64-61550-Y	COVER ASSY, HOSE	1	1	1	1				S
		(A=M07001) (B=M07001) (C=M07001) (D=M07001)									
3	2	172156-78510	SUPPORT, HOSE (A)	2	2	2	2				
4	1	172156-78520	SUPPORT, HOSE (B)	1	1	1	1				
5	1	172446-78750-2	CLAMP,HOSE(YELLOW:2J)	1	1	1	1				
5-1	1	172446-78750-Y	CLAMP,HOSE	1	1	1	1				S
		(A=M07001) (B=M07001) (C=M07001) (D=M07001)									
6	1	172446-78760	RUBBER PLATE A	2	2	2	2				
7	1	172446-78770	RUBBER PLATE B	1	1	1	1				
8	1	22117-080000	WASHER	4	4	4	4				
9	1	22157-080000	WASHER	4	4	4	4				
10	1	22217-080000	WASHER, SPRING	4	4	4	4				
11	1	22217-080000	WASHER, SPRING	1	1	1	1				
12	1	26116-080162	BOLT	4	4	4	4				
13	1	26116-080162	BOLT	1	1	1	1				

Fig.34. COVER(SEAT MOUNT)

(A)=VIO17(US)
(B)=VIO17(AS)
(C)=VIO17(NZ)

(D)=VIO17(SG)
(E)=
(F)=



REF.	LEV.	PARTS NO.	DESCRIPTION	Q'TY						I	R
				(A)	(B)	(C)	(D)	(E)	(F)		
1	1	172187-61421	HANDLE, LOCK	1	1	1	1				1
2	1	172A64-61610	COVER ASSY,BATTERY	1	1	1	1				
3	1	172A64-61630	PLATE ASSY,COVER(73)	1	1	1	1				
4	1	172A64-61660	COVER ASSY,FO (73)	1	1	1	1				
6	2	172478-65220	RUBBER,20	1	1	1	1				
7	2	172176-67790	PLUG	1	1	1	1				
8	1	172A64-61700	COVER,RES CAP	1	1	1	1				
9	1	172A64-61710	COVER,RADIATOR CAP	1	1	1	1				
10	1	172A64-61820	LOCK PLATE,FO	1	1	1	1				
11	1	172A64-61850	PLATE ASSY,COVER(73)	1	1	1	1				
12	1	26014-080162	BOLT M 8X 16	2	2	2	2				
13	1	26014-080162	BOLT M 8X 16	2	2	2	2				
14	1	172164-66170	KEY ASSY, CYLINDER	1	1	1	1				
19	1	26014-080162	BOLT M 8X 16	2	2	2	2				
20	1	26014-080162	BOLT M 8X 16	4	4	4	4				
21	1	26014-080162	BOLT M 8X 16	2	2	2	2				
22	1	26014-080202	BOLT M 8X 20	4	4	4	4				
23	1	26347-100002	U-NUT M10	1	1	1	1				
24A	1	172437-03361	LABEL, BATTERY US	1	1	1	1				2
24B	1	172446-03652	LABEL, VARIABLE US	1	1	1	1				2
24C	1	172472-03141	LABEL, SUPPORT US	1	1	1	1				2

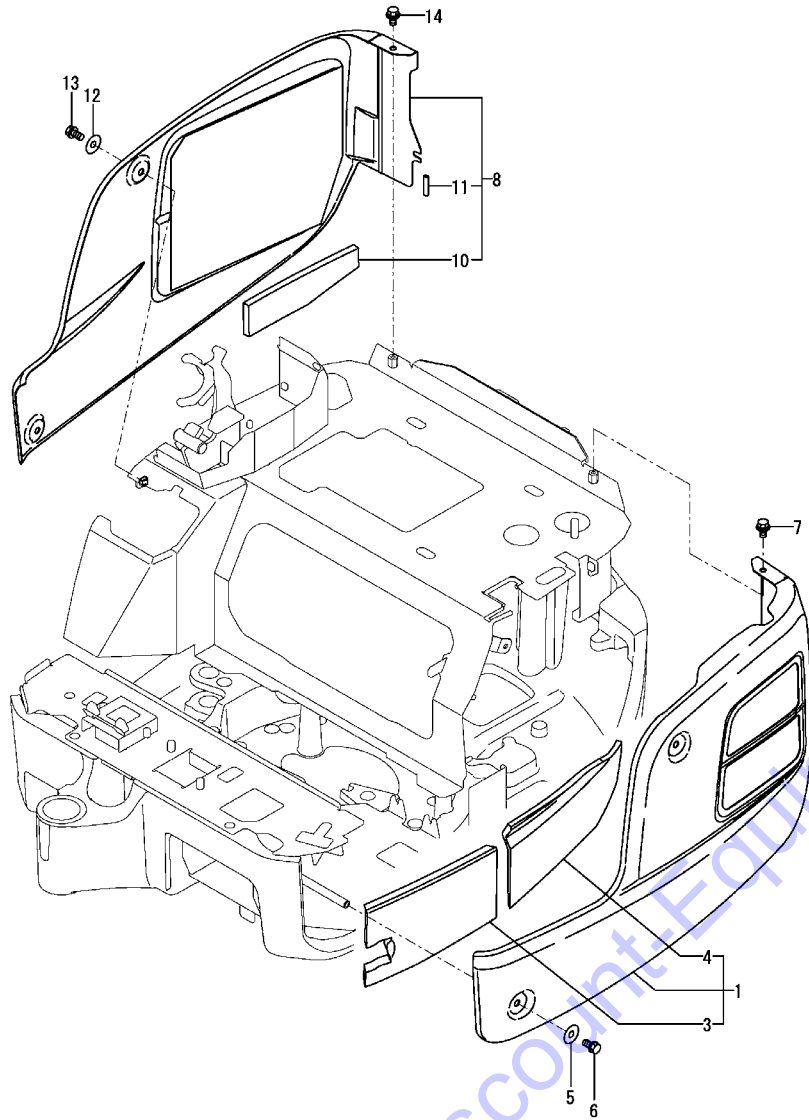
Remarks

(1)PLEASE USE THIS PART WITH FOLLOWING LABEL AT THE SAME TIME.
REF.NO.24A,24B & 24C.
(2)LABELS ARE NOT ILLUSTRATED.

Fig.35. COVER(SIDE)

(A)=VIO17(US)
(B)=VIO17(AS)
(C)=VIO17(NZ)

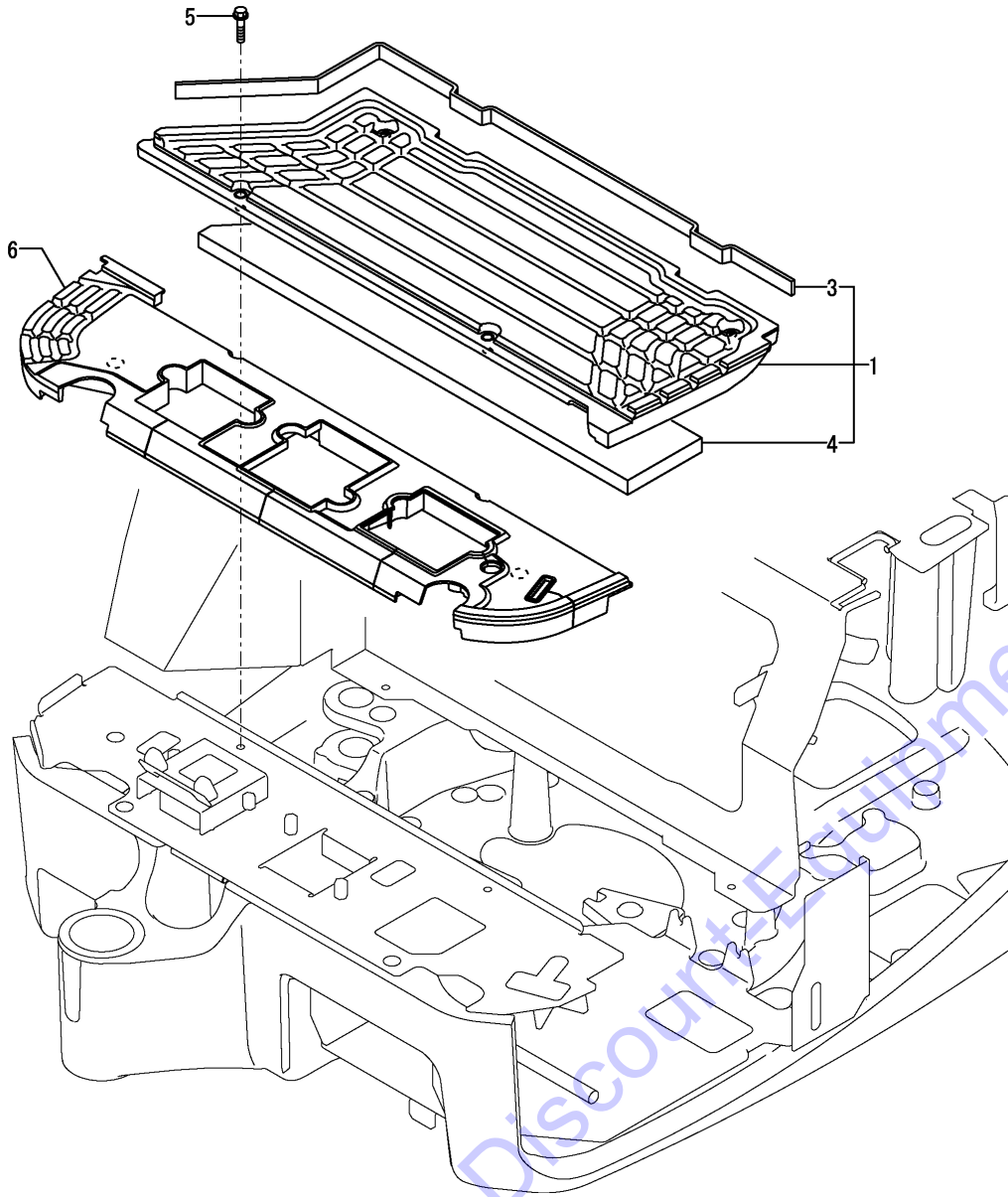
(D)=VIO17(SG)
(E)=
(F)=



REF.	LEV.	PARTS NO.	DESCRIPTION	Q'TY						I	R
				(A)	(B)	(C)	(D)	(E)	(F)		
1	1	172A64-61400-1	COVER L ASSY (2J)	1	1	1	1				1
1-1	1	172A64-61400-Y	COVER L ASSY	1	1	1	1				S 1
		(A=M07001)	(B=M07001)	(C=M07001)	(D=M07001)						
3	2	172A64-61450	EV A,COVER L	1	1	1	1				
4	2	172A64-61460	EV B,COVER L	1	1	1	1				
5	1	22157-100000	WASHER	2	2	2	2				
6	1	26013-100202	BOLT	2	2	2	2				
7	1	26014-100202	BOLT	2	2	2	2				
8	1	172A64-61260	COVER R ASSY,OC (2J)	1	1	1	1				2
8-1	1	172A64-61260-Y	COVER R ASSY,OC	1	1	1	1				S 2
		(A=M07001)	(B=M07001)	(C=M07001)	(D=M07001)						
10	2	172A64-61470	EV A,COVER R	1	1	1	1				
11	2	172445-62010	TRIM	1	1	1	1				
12	1	22157-100000	WASHER	2	2	2	2				
13	1	26013-100202	BOLT	2	2	2	2				
14	1	26014-100202	BOLT	2	2	2	2				
15A	1	172437-03352	LABEL, CYLINDER	1	1	1	1				3
16A	1	172437-03352	LABEL, CYLINDER	1	1	1	1				3
16B	1	172437-03422	LABEL, MUFFLER	1	1	1	1				3

Remarks
 (1)PLEASE USE THIS PART WITH FOLLOWING LABEL AT THE SAME TIME.
 REF.NO.15A.
 (2)PLEASE USE THIS PART WITH FOLLOWING LABEL AT THE SAME TIME.
 REF.NO.16A & 16B.
 (3)LABELS ARE NOT ILLUSTRATED.

Fig.36. STEP

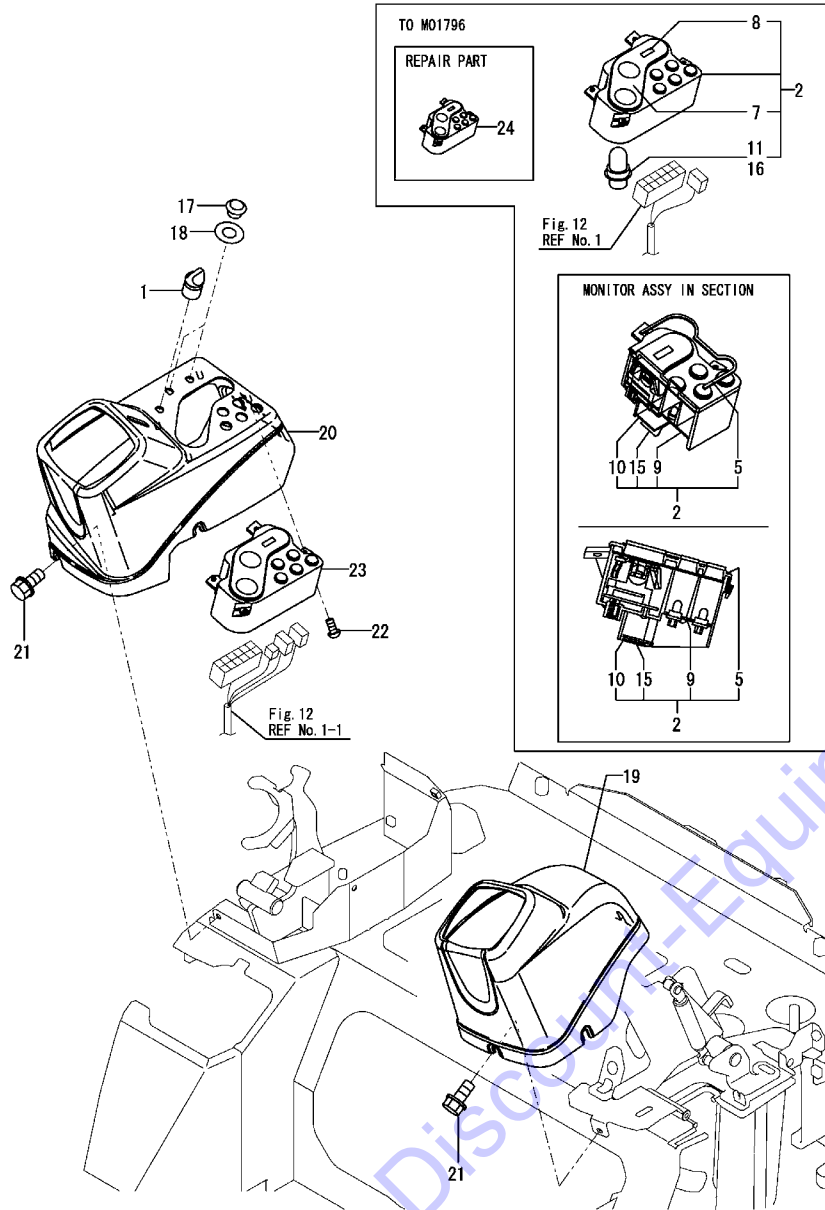


(A)=VIO17(US)
 (B)=VIO17(AS)
 (C)=VIO17(NZ)
 (D)=VIO17(SG)
 (E)=
 (F)=

REF.	LEV.	PARTS NO.	DESCRIPTION	Q'TY						I	R
				(A)	(B)	(C)	(D)	(E)	(F)		
1	1	172A64-62100	STEP ASSY	1	1	1	1				
3	2	172A64-62120	SEAL,STEP	1	1	1	1				
4	2	172A64-62130	EV,STEP	1	1	1	1				
5	1	172448-62400	BOLT 8X35	4	4	4	4				
6	1	172A64-62270	FLOORMAT,PTO	1	1	1	1				

Fig.37. INSTRUMENT PANEL

(A)=VIO17(US) (D)=VIO17(SG)
 (B)=VIO17(AS) (E)=
 (C)=VIO17(NZ) (F)=



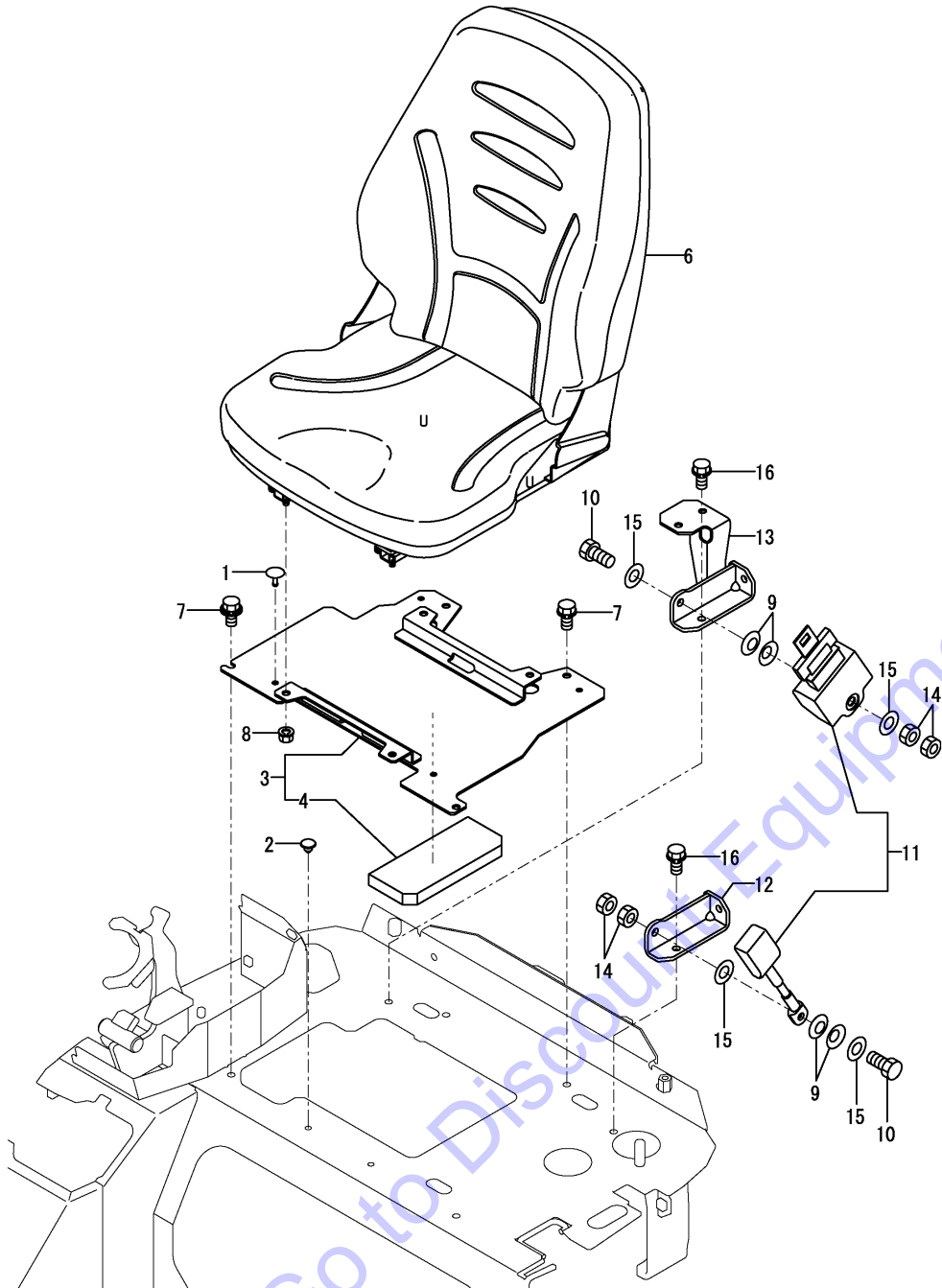
REF.	LEV.	PARTS NO.	DESCRIPTION	Q'TY						I	R
				(A)	(B)	(C)	(D)	(E)	(F)		
1	1	172187-17280	SWITCH ASSY, LIGHT	1	1	1	1				
2	1	172472-17501	MONITOR PANEL ASSY	1	1	1	1			Z	1
		(A=M01797) (B=M01797) (C=M01797) (D=M01797)									
5	2	172187-17320	PACKING	1	1	1	1				
7	2	172187-17341	GAUGE ASSY	1	1	1	1				
8	2	172187-17350	METER ASSY, HOUR	1	1	1	1				
9	2	172187-17360	PRINT,CIRCUIT	1	1	1	1				
10	2	172187-17371	CIRCUIT ASSY	1	1	1	1				
11	2	172187-17380	BULB,T6.5-13.5V-2W	4	4	4	4				
15	2	172187-17470	PLATE	1	1	1	1				
16	2	172187-17480	BULB,T5-14V-2W	2	2	2	2				
17	1	172187-17560	CAP	2	2	2	2				
18	1	172187-17570	GASKET	2	2	2	2				
19	1	172A47-63110	IN-PANE,L	1	1	1	1				
20	1	172A47-63121	IN-PANE,R	1	1	1	1				
21	1	172519-63240	BOLT 8X 16	6	6	6	6				
22	1	22857-500121	SCREW 5X12	4	4	4	4				
23	1	172A77-17250	MONITOR ASSY	1	1	1	1				W
		(A=M01797) (B=M01797) (C=M01797) (D=M01797)									
24	1	172A77-17500	MONITOR ASSY	1	1	1	1				W 2
		(A=MXXXXX) (B=MXXXXX) (C=MXXXXX) (D=MXXXXX)									

Remarks
 (1)HOUR METER = ANALOG TYPE.
 COPEs IN REF.NO.24.
 (2)HOUR METER = L.C.D. TYPE.

Fig.38. SEAT & SEAT BELT

(A)=VIO17(US)
 (B)=VIO17(AS)
 (C)=VIO17(NZ)

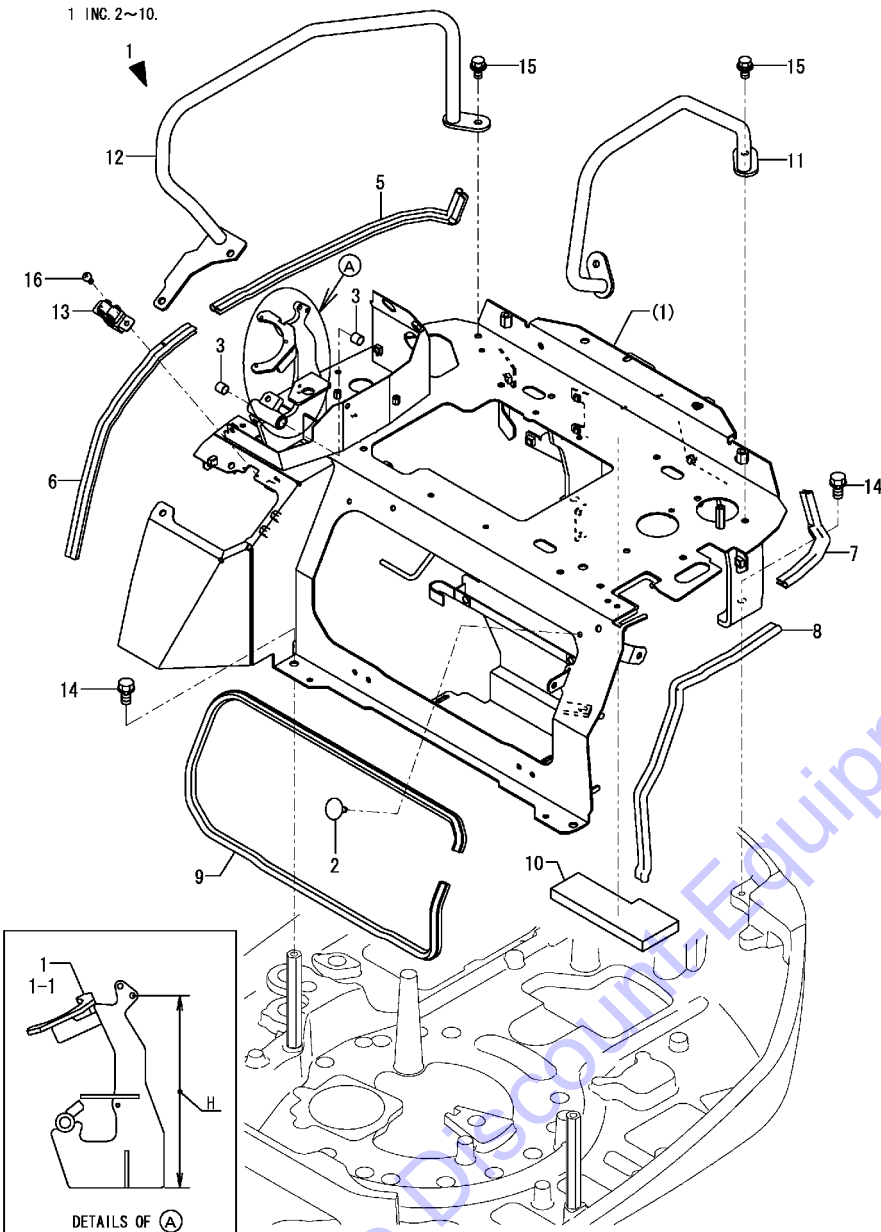
(D)=VIO17(SG)
 (E)=
 (F)=



REF.	LEV.	PARTS NO.	DESCRIPTION	Q'TY						I	R
				(A)	(B)	(C)	(D)	(E)	(F)		
1	1	172122-17190	CLIP	4	4	4	4				
2	1	172444-17660	CLIP	2	2	2	2				
3	1	172A64-64130	PLATE ASSY,US (73)	1	1	1	1				
4	2	172A64-64120	EV,SEAT BASE	1	1	1	1				
6	1	172A46-64200	OPERATOR SEAT ASSY	1	1	1	1				
7	1	26014-100202	BOLT M10X 20	4	4	4	4				
8	1	26051-080002	NUT M 8	4	4	4	4				
9	1	172652-64220	SPRING 12	4	4	4	4				
10	1	172433-64511	BOLT 7/16-20-UNF	2	2	2	2				
11	1	172A23-64770	SEAT BELT ASSY	1	1	1	1				
12	1	172A64-64800	BRACKET,SEAT BELT(73	1	1	1	1				
13	1	172A64-64820	BRACKET ASSY,BELT(73	1	1	1	1				
14	1	172187-64831	NUT 7/16-20-UNF	4	4	4	4				
15	1	22137-120000	WASHER 12,POLISHED	4	4	4	4				
16	1	26014-100252	BOLT 10X25 W/PLW+SPW	4	4	4	4				

Fig.39. SEAT MOUNT

(A)=VIO17(US) (D)=VIO17(SG)
 (B)=VIO17(AS) (E)=
 (C)=VIO17(NZ) (F)=

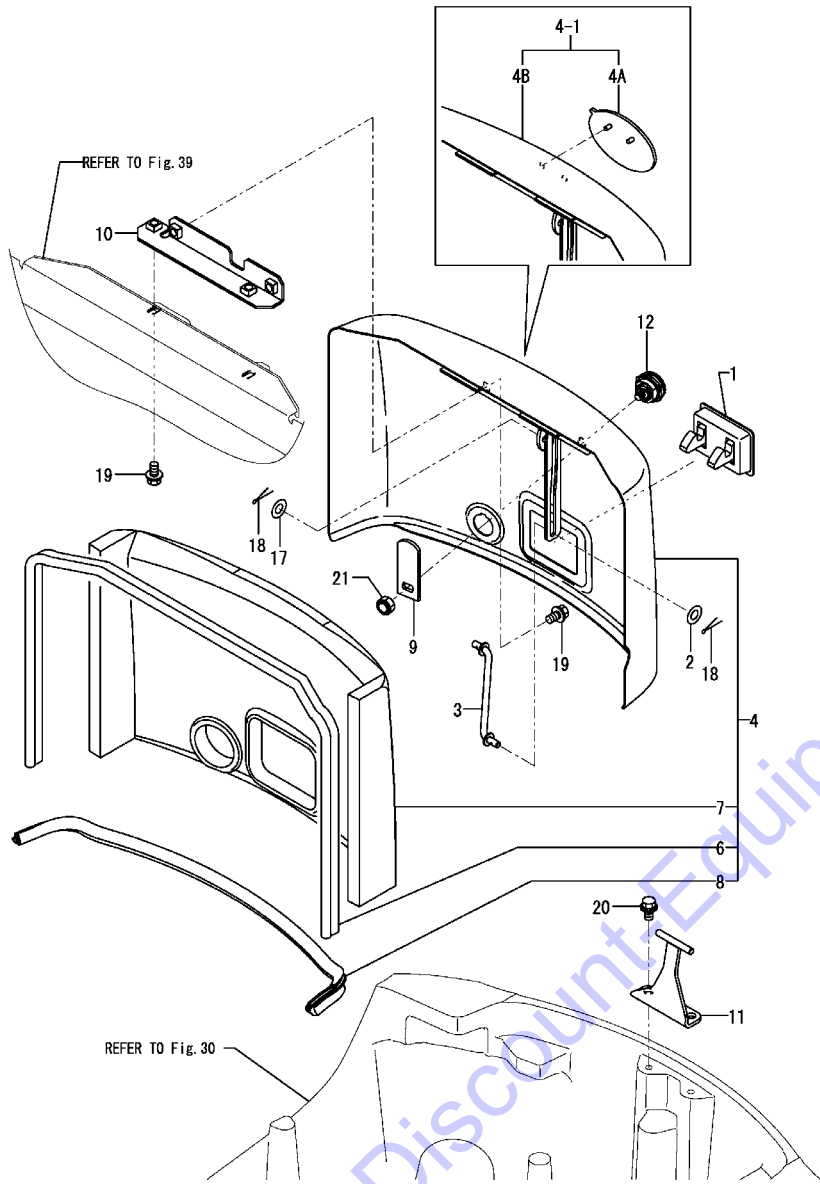


REF.	LEV.	PARTS NO.	DESCRIPTION	Q'TY						I	R
				(A)	(B)	(C)	(D)	(E)	(F)		
1	1	172A64-64200	MOUNT ASSY,SEAT (73)	1	1	1	1				
1-1	1	172A64-64201	MOUNT ASSY,SEAT (A=M03318) (B=M03318) (C=M03318) (D=M03318)	1	1	1	1			S	1
2	2	172122-17190	CLIP	2	2	2	2				
3	2	172141-41360	BUSH 1415	2	2	2	2				
5	2	172A64-64910	SEAL,600	1	1	1	1				
6	2	172A64-64920	SEAL,480	1	1	1	1				
7	2	172A64-64930	SEAL,240	1	1	1	1				
8	2	172A64-64940	SEAL,560	1	1	1	1				
9	2	172A64-64950	SEAL,1500	1	1	1	1				
10	2	172A64-64960	EV,SEAT MOUNT	1	1	1	1				
11	1	172A64-64710	PIPE,HAND HOLD (73)	1	1	1	1				
12	1	172A64-64730	PIPE,HAND HOLD (73)	1	1	1	1				
13	1	172448-65680	ROLLER CATCH,F	1	1	1	1				
14	1	26013-120302	BOLT W/WASHER M12X30	4	4	4	4				
15	1	26014-100202	BOLT M10X 20	5	5	5	5				
16	1	26557-040082	SCREW M 4X 8	2	2	2	2				

Remarks
 (1)REF.NO.1 H=260MM,
 REF.NO.1-1 H=263MM.

Fig.40. BONNET

(A)=VIO17(US)
 (B)=VIO17(AS)
 (C)=VIO17(NZ)
 (D)=VIO17(SG)
 (E)=
 (F)=



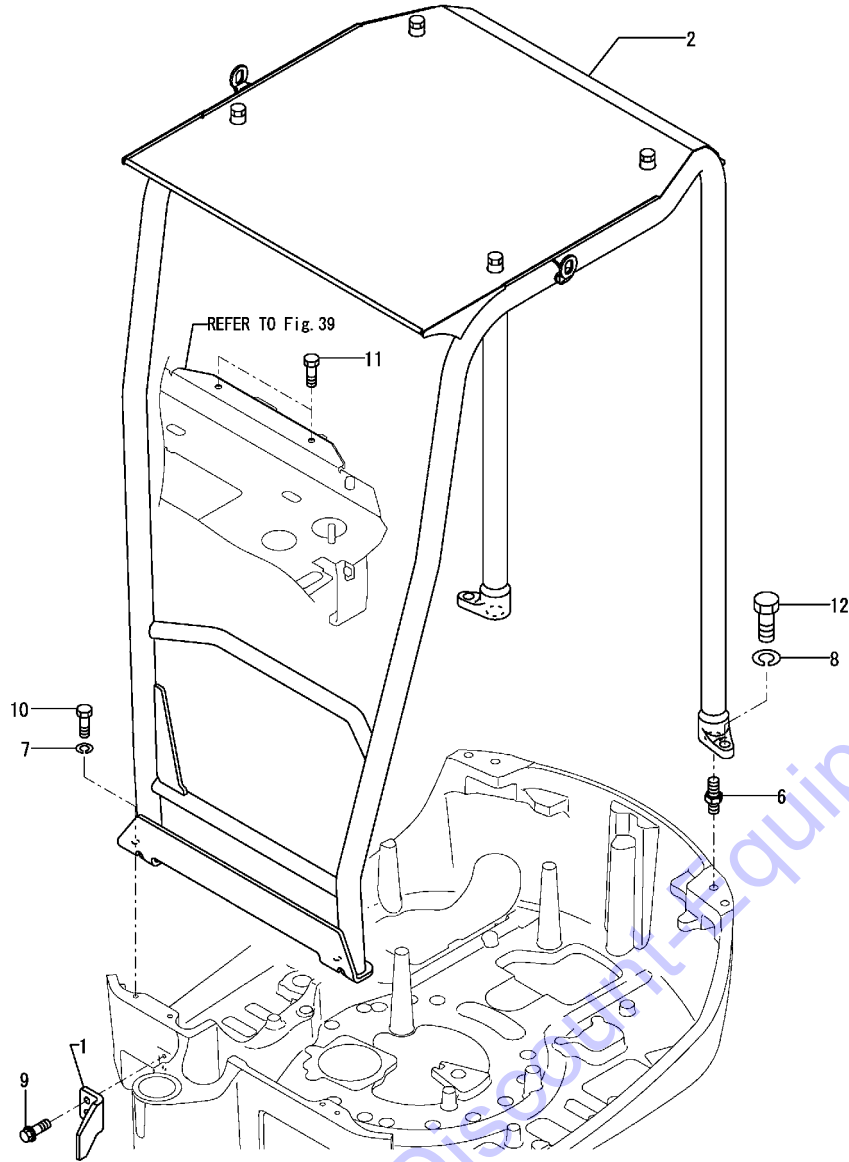
REF.	LEV.	PARTS NO.	DESCRIPTION	Q'TY						I	R
				(A)	(B)	(C)	(D)	(E)	(F)		
1	1	172187-61421	HANDLE, LOCK	1	1	1	1				
2	1	1A1380-62160	WASHER	1	1	1	1				
3	1	172444-64730	ROD ASSY, STOPPER	1	1	1	1				
4	1	172A64-65100-1	HOOD, ASSY(YELLOW:2J)	1	1	1	1				1
4-1	1	172A64-65580	BONNET KIT, ENBLEM Y	1	1	1	1				S
		(A=M07001) (B=M07001) (C=M07001) (D=M07001)									
4A	2	172A64-03050	EMBLEM ASSY, L1 Y	1	1	1	1				W
		(A=M07001) (B=M07001) (C=M07001) (D=M07001)									
4B	2	172A64-65600	BONNET ASSY	1	1	1	1				W 1
		(A=M07001) (B=M07001) (C=M07001) (D=M07001)									
6	3	172A64-65160	SEAL, 1170	1	1	1	1				
7	3	172A64-65170	EV, BONNET	1	1	1	1				
8	3	172649-65770	SEAL C, RUBBER	1	1	1	1				
9	1	172A64-65180	PLATE, LOCK	1	1	1	1				
10	1	172A64-65200	MOUNT ASSY, BONNET(73)	1	1	1	1				
11	1	172A64-65250	ROCK ASSY	1	1	1	1				
12	1	172164-66170	KEY ASSY, CYLINDER	1	1	1	1				
17	1	22137-080000	WASHER	1	1	1	1				
18	1	22417-200200	PIN, COTTER	2	2	2	2				
19	1	26014-100202	BOLT	4	4	4	4				
20	1	26014-100202	BOLT	2	2	2	2				
21	1	26347-100002	NUT	1	1	1	1				
22A	1	172A64-03380	LABEL, SWING AREA US	1	1	1	1				2
22B	1	172437-03391	LABEL, RADIATOR	1	1	1	1				2
22C	1	172437-03402	LABEL, ENGINE COVER	1	1	1	1				2
22D	1	172A36-03411	LABEL, ENGINE ROOM	1	1	1	1				2

Remarks
 (1) PLEASE USE THIS PART WITH FOLLOWING LABEL AT THE SAME TIME. REF. NO. 22A, 22B, 22C & 22D.
 (2) LABELS ARE NOT ILLUSTRATED.

Fig.41. CANOPY(ROPS)

(A)=VIO17(US)
(B)=VIO17(AS)
(C)=VIO17(NZ)

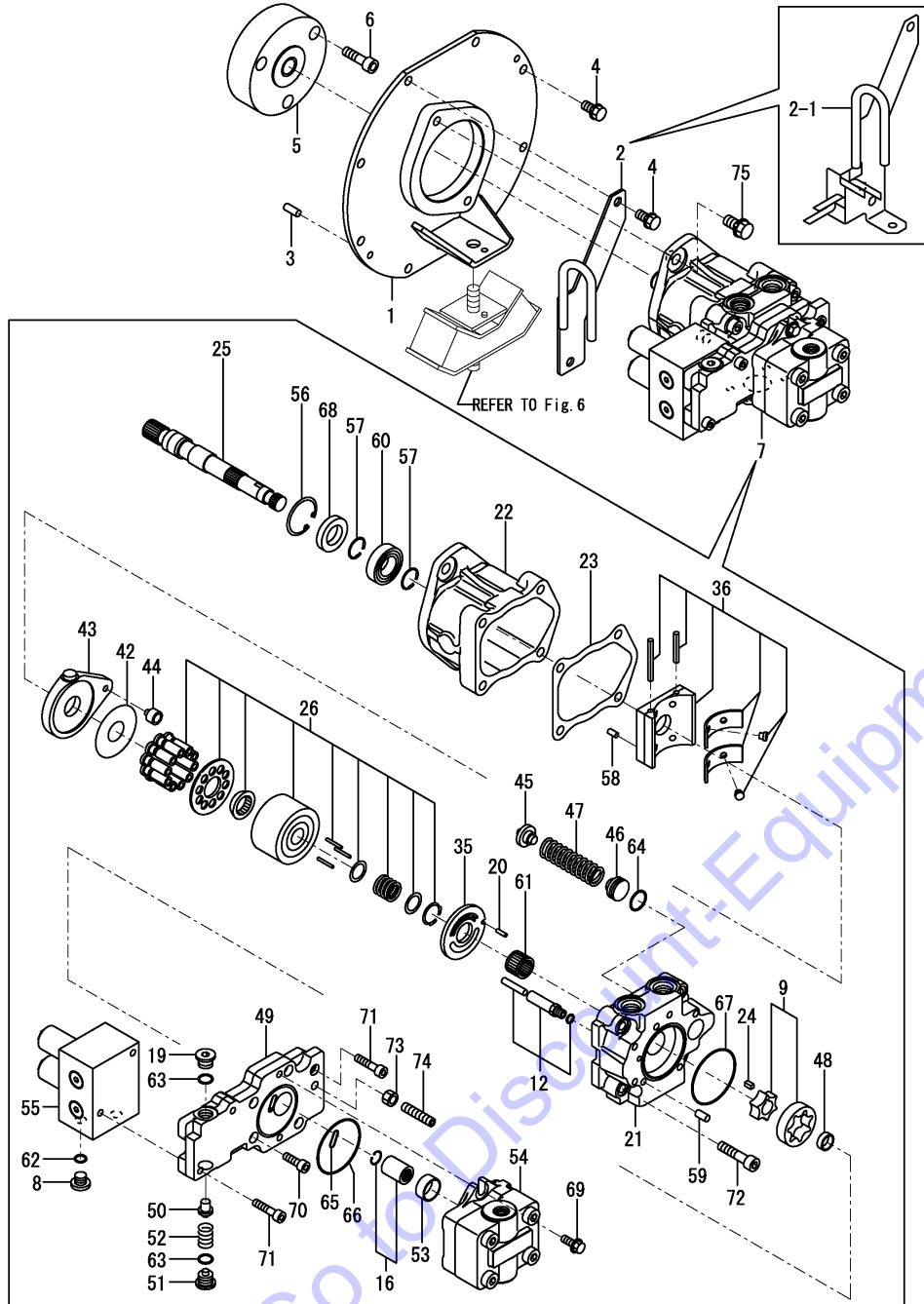
(D)=VIO17(SG)
(E)=
(F)=



REF.	LEV.	PARTS NO.	DESCRIPTION	Q'TY						I	R
				(A)	(B)	(C)	(D)	(E)	(F)		
1	1	172A64-54150	STOPPER,BOOM BRACKET	1	1	1	1				
2	1	172A64-66280	CANOPY ASSY,ROPS(73)	1	1	1	1				1
6	1	172A64-68250	JOINT21-M20X28	2	2	2	2				
7	1	22217-120000	SPRING WASHER 12	2	2	2	2				
8	1	22217-200000	SPRING WASHER 20	2	2	2	2				
9	1	26014-100302	BOLT M10X 30	2	2	2	2				
10	1	26076-120352	BOLT M12X 35	2	2	2	2				
11	1	26116-120252	BOLT M12X 25 PLATED	2	2	2	2				
12	1	26076-200502	BOLT, 20 X 50	2	2	2	2				
13A	1	172437-03312	LABEL,SLOPE US	1	1	1	1				2
13B	1	172437-03343	LABEL, TRANSPORT US	1	1	1	1				2
13C	1	172437-03372	LABEL, NEUTRAL US	1	1	1	1				2
13D	1	172437-03432	LABEL, STEERING US	1	1	1	1				2
13E	1	172437-03441	LABEL, ROPS US	1	1	1	1				2
13F	1	172437-03451	LABEL, SEAT BELT US	1	1	1	1				2
13G	1	172437-03471	LABEL, LEVER LOCK US	1	1	1	1				2
13H	1	172A64-03560	LABEL,LIFT US	1	1	1	1				2
13I	1	172437-03601	LABEL, 2-WAY US	1	1	1	1				2
13J	1	172437-03302	LABEL, MANUAL US	1	1	1	1				2

Remarks
(1)PLEASE USE THIS PART WITH FOLLOWING LABEL AT THE SAME TIME.
REF.NO.13A,13B,13C,13D,13E,13F,13G
13H,13I & 13J.
(2)LABELS ARE NOT ILLUSTRATED.

Fig.42. HYD.OIL PUMP & JOINT

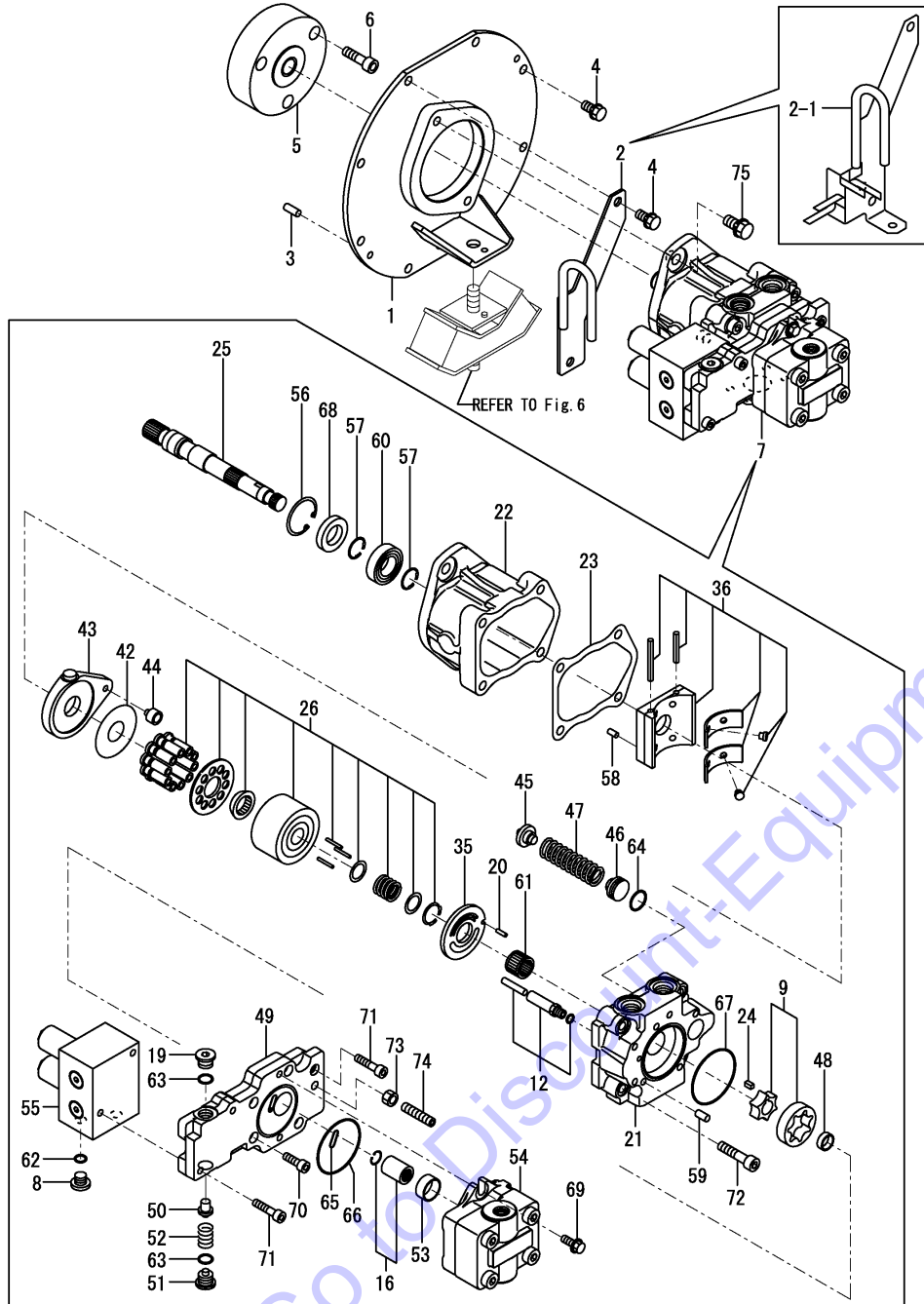


(A)=VIO17(US)
 (B)=VIO17(AS)
 (C)=VIO17(NZ)
 (D)=VIO17(SG)
 (E)=
 (F)=

REF.	LEV.	PARTS NO.	DESCRIPTION	Q'TY						I	R
				(A)	(B)	(C)	(D)	(E)	(F)		
1	1	172A64-71100	MOUNT ASSY,PUMP	1	1	1	1				
2	1	172A64-71210	GUIDE ASSY,HOSE	1	1	1	1				
2-1	1	172A64-71211	GUIDE ASSY,HOSE	1	1	1	1				S
		(A=M02841) (B=M02841) (C=M02841) (D=M02841)									
3	1	22312-080200	PARALLEL PIN 8X20	2	2	2	2				
4	1	26013-100252	BOLT W/WASHER M10X25	8	8	8	8				
5	1	172448-71200	COUPLING	1	1	1	1				
6	1	26450-100352	BOLT M10X 35	3	3	3	3				
7	1	172A64-73100	PUMP ASSY,HYD OIL	1	1	1	1				
8	2	178076-12400	PLUG, G1/4	2	2	2	2				
9	2	1E1271-27620	ROTOR SET 13	1	1	1	1				
12	2	168PA0-29010	POWER PISTON SET	1	1	1	1				
16	2	168PA0-29020	COUPLING SET	1	1	1	1				
19	2	1A6750-29850	PLUG	1	1	1	1				
20	2	158802-85040	PIN,PARALLEL(4X14)	1	1	1	1				
21	2	168PA0-86010	PORT BLOCK	1	1	1	1				
22	2	168PA0-86020	HOUSING	1	1	1	1				
23	2	168PA0-86030	PACKING	1	1	1	1				
24	2	168PA0-86050	KEY	1	1	1	1				
25	2	168PA0-86060	SHAFT	1	1	1	1				
26	2	168PA0-86140	PLUNGER BLOCK CMP	1	1	1	1				
35	2	168PA0-86210	VALVE PLATE	1	1	1	1				
36	2	168PA0-86290	CRADLE HOLDER CMP	1	1	1	1				
42	2	168PA0-86330	THRUST PLATE	1	1	1	1				
43	2	168PA0-86340	CRADLE (MD-9CA)	1	1	1	1				
44	2	158842-86360	RETAINER	1	1	1	1				
45	2	158842-86610	RETAINER	1	1	1	1				
46	2	158842-86620	RETAINER	1	1	1	1				
47	2	168PA0-86650	SPRING(CRADLE)	1	1	1	1				
48	2	168PA0-86720	BUSHING(17X8)	1	1	1	1				
49	2	168PA0-86730	CONTROL BLOCK	1	1	1	1				
50	2	168PA0-86740	RELIEF VALVE	1	1	1	1				
51	2	168PA0-86750	PLUG (RELIEF VALVE)	1	1	1	1				
52	2	168PA0-86760	SPRING(RELIEF VALVE)	1	1	1	1				
53	2	168PA0-86830	COLLAR (GEAR PUMP)	1	1	1	1				
54	2	168PA0-87010	GEAR PUMP ASSY	1	1	1	1				
55	2	168PA0-87020	SOLENOID VALVE ASSY	1	1	1	1				
56	2	22252-000420	CIRCLIP 42	1	1	1	1				
57	2	22292-000250	CIRCLIP 25	2	2	2	2				
58	2	22312-060120	PARALLEL PIN 6X12	3	3	3	3				
59	2	22312-080160	PARALLEL PIN 8X 16	2	2	2	2				
60	2	24101-060054	BALL BEARING 6005	1	1	1	1				
61	2	24162-202620	NEEDLE BEARING	1	1	1	1				
62	2	24311-000110	O-RING 1A P-11.0	2	2	2	2				
62-1	2	24315-000110	O-RING 1B P-11.0	2	2	2	2				N
		(A=M/#00977) (B=M/#00977) (C=M/#00977) (D=M/#00977)									
63	2	24311-000140	O-RING 1A P-14.0	2	2	2	2				
63-1	2	24315-000140	O-RING 1B P-14.0	2	2	2	2				N
		(A=M/#00977) (B=M/#00977) (C=M/#00977) (D=M/#00977)									
64	2	24311-000220	O-RING 1A P-22.0	1	1	1	1				
64-1	2	24315-000220	O-RING 1B P-22.0	1	1	1	1				N

N:Old $\frac{Yes}{No}$ New, Q:Old $\frac{No}{Yes}$ New, R:Old $\frac{Yes}{Yes}$ New, S:Old $\frac{No}{No}$ New, W:Add, Z:Discontinued, F:Interchangeable by set, K:Q'ty Change
 ++ CONTINUE ++
 (C)Copyrights YANMAR CO.,LTD.

Fig.42. HYD.OIL PUMP & JOINT

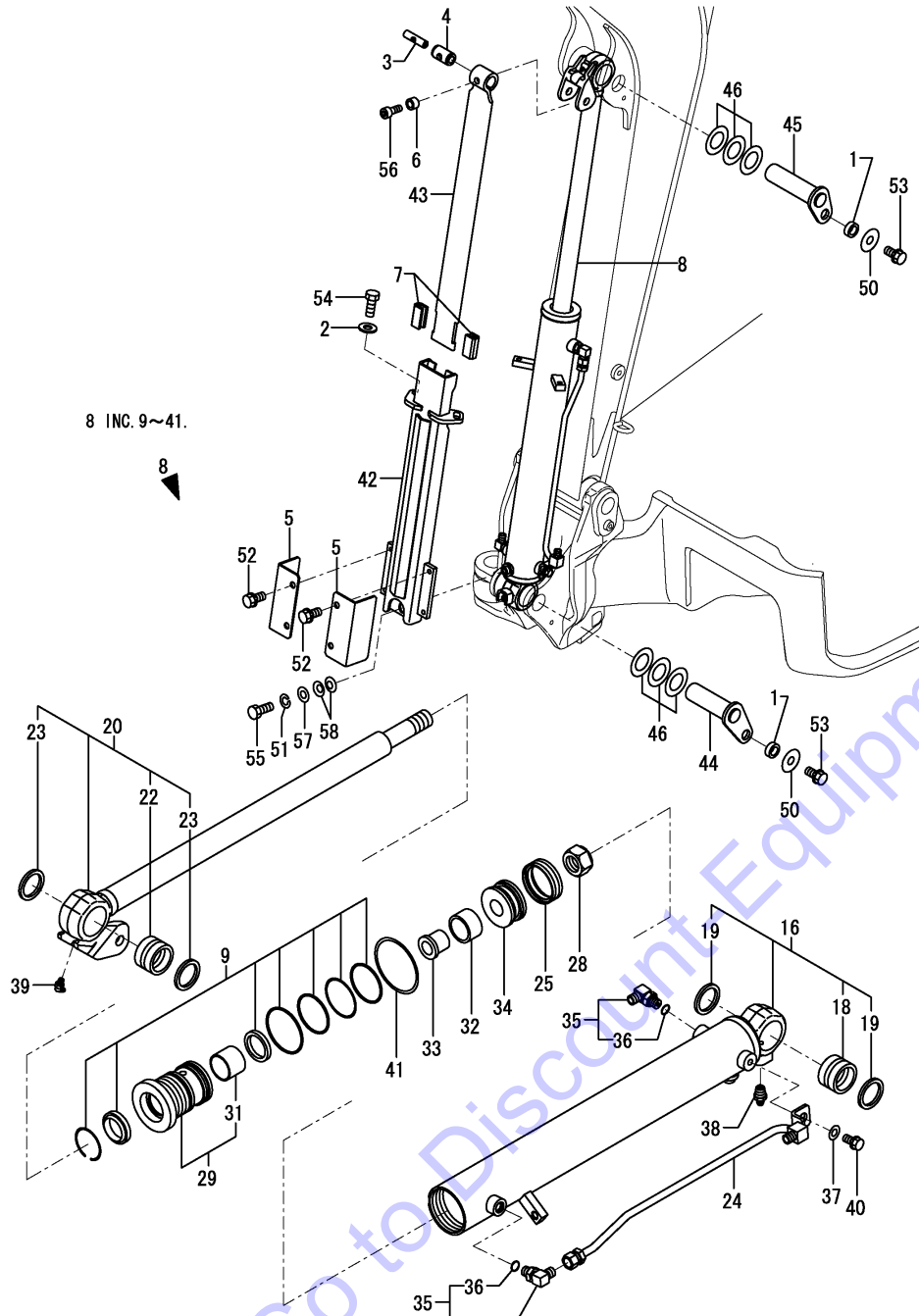


(A)=VIO17(US) (D)=VIO17(SG)
 (B)=VIO17(AS) (E)=
 (C)=VIO17(NZ) (F)=

REF.	LEV.	PARTS NO.	DESCRIPTION	Q'TY						I	R
				(A)	(B)	(C)	(D)	(E)	(F)		
		(A=M/#00977) (B=M/#00977) (C=M/#00977) (D=M/#00977)									
65	2	24341-000140	O-RING 1A S-14.0	4	4	4	4				
65-1	2	194327-45640	O-RING 1A S-14.0	4	4	4	4				N
		(A=M/#00977) (B=M/#00977) (C=M/#00977) (D=M/#00977)									
66	2	24341-000630	O-RING 1A S-63.0	1	1	1	1				
67	2	24341-000670	O-RING 1A S-67.0	1	1	1	1				
68	2	24421-254208	SEAL TC25 42 08, OIL	1	1	1	1				
69	2	26106-080202	BOLT M 8X 20 PLATED	2	2	2	2				
70	2	26450-080252	BOLT M 8X 25	4	4	4	4				
71	2	26450-080352	BOLT M 8X 35	3	3	3	3				
72	2	26450-100452	BOLT M10X 45	4	4	4	4				
73	2	26716-100002	NUT 10	1	1	1	1				
74	2	26979-100452	SCREW, 10 X 45	1	1	1	1				
75	1	26013-120352	BOLT M12X 35	2	2	2	2				

Fig.43. BOOM CYLINDER

(A)=VIO17(US)
 (B)=VIO17(AS)
 (C)=VIO17(NZ)
 (D)=VIO17(SG)
 (E)=
 (F)=



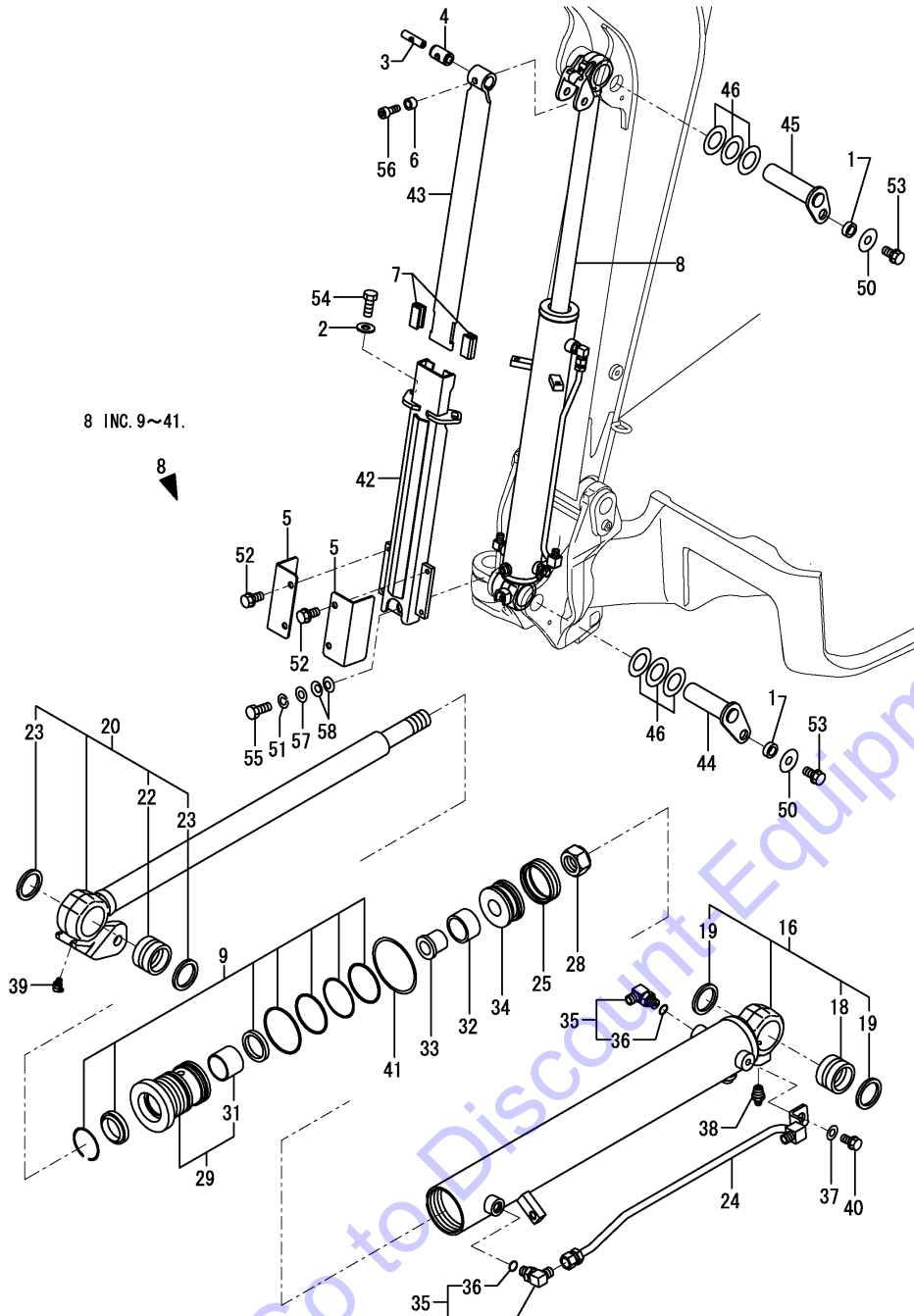
REF.	LEV.	PARTS NO.	DESCRIPTION	Q'TY						I	R
				(A)	(B)	(C)	(D)	(E)	(F)		
1	1	172010-01640	SPACER	2	2	2	2				
2	1	172137-46042	SEAT, SPRING	2	2	2	2				
3	1	172A23-72043	SHAFT	1	1	1	1				
4	1	172A23-72052	GROMMET	1	1	1	1				
5	1	172A64-72050-1	COVER,CYLINDER (2J)	2	2	2	2				
5-1	1	172A64-72051-1	COVER,CYLINDER (2J)	2	2	2	2				N
5-2	1	172A64-72051-N	COVER,CYLINDER	2	2	2	2				S
		(A=M/# 01769) (B=M/# 01769) (C=M/# 01769) (D=M/# 01769)									
		(A=M07001) (B=M07001) (C=M07001) (D=M07001)									
6	1	172A46-72070	SPACER	1	1	1	1				
7	1	172A23-72081	GUIDE, SLIDE	2	2	2	2				
8	1	172A64-72100-1	CYLINDER,BOOM CMP(2J)	1	1	1	1				
8-1	1	172A64-72100-N	CYLINDER,BOOM CMP	1	1	1	1				S
		(A=M07001) (B=M07001) (C=M07001) (D=M07001)									
9	2	172A64-72030	SEAL SET, HEAD 60 35	1	1	1	1				
16	2	172A64-72110-1	TUBE ASSY, BOOM	1	1	1	1				
16-1	2	172A64-72110-N	TUBE ASSY, BOOM	1	1	1	1				S
		(A=M07001) (B=M07001) (C=M07001) (D=M07001)									
18	3	172A64-72190	BUSH,35-45-30	1	1	1	1				
19	3	172448-81610	SEAL 35X45X4,DUST	2	2	2	2				
20	2	172A64-72150	ROD ASSY,BOOM	1	1	1	1				
22	3	172A64-72190	BUSH,35-45-30	1	1	1	1				
23	3	172448-81610	SEAL 35X45X4,DUST	2	2	2	2				
24	2	172A64-72200-1	TUBE ASSY, BOOM	1	1	1	1				
24-1	2	172A64-72200-N	TUBE ASSY, BOOM	1	1	1	1				S
		(A=M07001) (B=M07001) (C=M07001) (D=M07001)									
25	2	172638-72200	SEAL SET	1	1	1	1				
28	2	172A64-72230	U-NUT M24X1.5	1	1	1	1				
29	2	172149-72241	HEAD 6035 COMPL.	1	1	1	1				
31	3	24550-035300	BUSH	1	1	1	1				
32	2	172448-72270	PLUNGER, CUSHION 41	1	1	1	1				
33	2	172449-72350	COLLAR 41	1	1	1	1				
34	2	172A20-72430	PISTON 60,24-28	1	1	1	1				
35	2	172141-76180	CONNECTOR ASSY	2	2	2	2				
36	3	24315-000110	O-RING	2	2	2	2				
37	2	22137-100000	WASHER	1	1	1	1				
38	2	24761-020000	NIPPLE, GREASE	1	1	1	1				
39	2	24761-040000	NIPPLE, GREASE	1	1	1	1				
40	2	26013-100202	BOLT	1	1	1	1				
41	2	933125-59600	WASHER 60 B, LOCK	1	1	1	1				
42	1	172A64-72250-1	GUIDE ASSY,545 (2J)	1	1	1	1				
42-1	1	172A64-72251	GUIDE ASSY,545 (2J)	1	1	1	1				N
		(A=M/# 01769) (B=M/# 01769) (C=M/# 01769) (D=M/# 01769)									
		(A=M07001) (B=M07001) (C=M07001) (D=M07001)									
42-2	1	172A64-72251-N	GUIDE ASSY,545	1	1	1	1				S
43	1	172A23-72951-1	PLATE,SLIDE 585 (2J)	1	1	1	1				
43-1	1	172A23-72951-N	PLATE,SLIDE 585	1	1	1	1				S
		(A=M07001) (B=M07001) (C=M07001) (D=M07001)									
44	1	172A64-82620	PIN ASSY, 35X110	1	1	1	1				
45	1	172A64-82760	PIN ASSY,35X127	1	1	1	1				
46	1	172141-84601	SHIM	2	2	2	2				

N:Old $\frac{Yes}{No}$ New, Q:Old $\frac{No}{Yes}$ New, R:Old $\frac{Yes}{Yes}$ New, S:Old $\frac{No}{No}$ New, W:Add, Z:Discontinued, F:Interchangeable by set, K:Q'ty Change
 ++ CONTINUE ++
 (C)Copyrights YANMAR CO.,LTD.

Fig.43. BOOM CYLINDER

(A)=VIO17(US)
(B)=VIO17(AS)
(C)=VIO17(NZ)

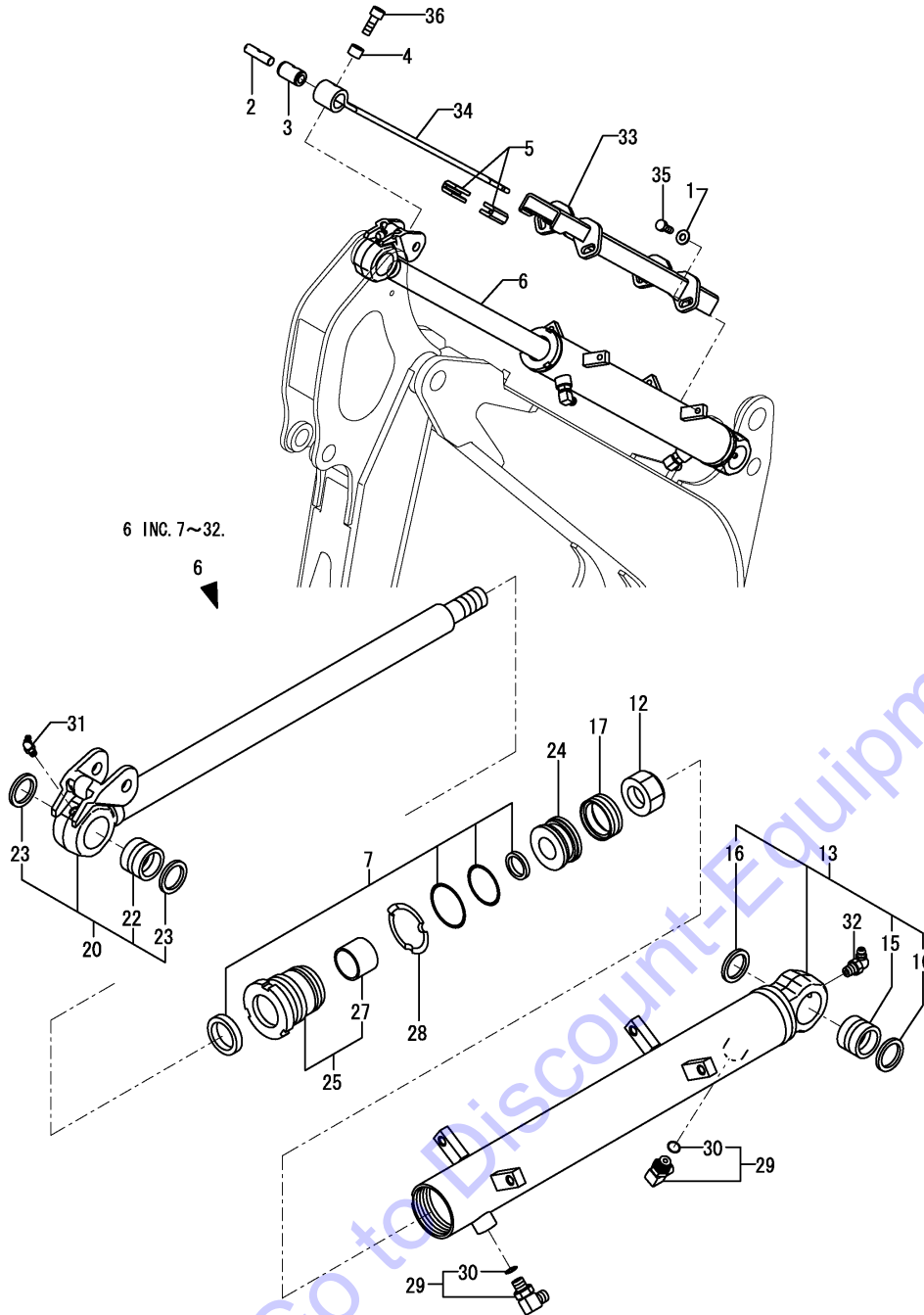
(D)=VIO17(SG)
(E)=
(F)=



REF.	LEV.	PARTS NO.	DESCRIPTION	Q'TY						I	R
				(A)	(B)	(C)	(D)	(E)	(F)		
50	1	22157-100000	WASHER	2	2	2	2				
51	1	22217-100000	WASHER, SPRING	1	1	1	1				Z
		(A=M/# 01109) (B=M/# 01109) (C=M/# 01109) (D=M/# 01109)									
52	1	26013-100162	BOLT	4	4	4	4				
53	1	26013-100252	BOLT	2	2	2	2				
54	1	26076-100202	BOLT	2	2	2	2				
55	1	26116-100202	BOLT	1	1	1	1				
55-1	1	26013-100202	BOLT	1	1	1	1				N
		(A=M/# 01109) (B=M/# 01109) (C=M/# 01109) (D=M/# 01109)									
56	1	26450-060162	BOLT	1	1	1	1				
56-1	1	172A47-72840	BOLT	1	1	1	1				N
		(A=M/# 01435) (B=M/# 01435) (C=M/# 01435) (D=M/# 01435)									
57	1	933147-03400	WASHER, BRAKE ARM	1	1	1	1				
58	1	933168-14170	SPRING	2	2	2	2				

Fig.44. ARM CYLINDER

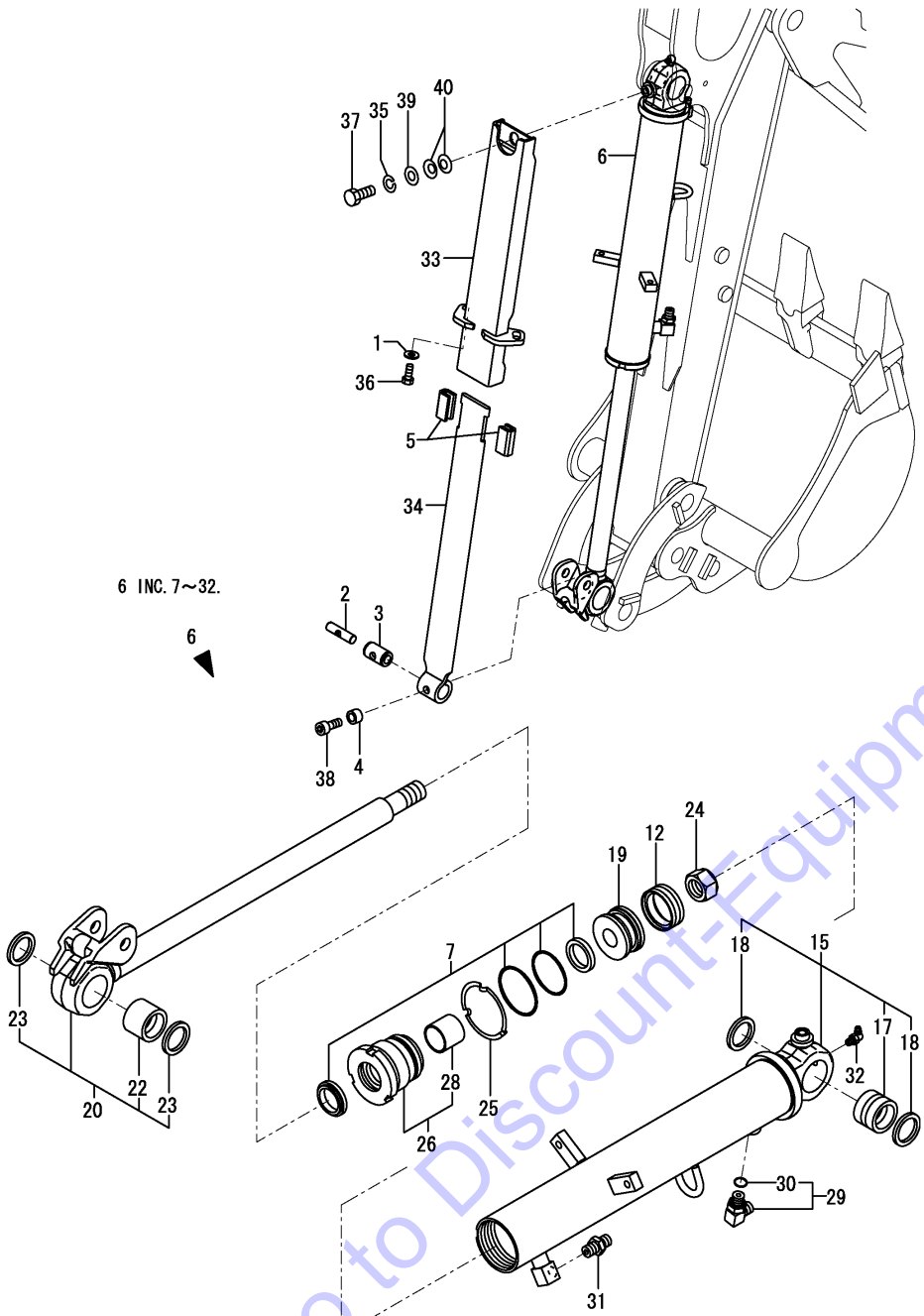
(A)=VIO17(US)
 (B)=VIO17(AS)
 (C)=VIO17(NZ)
 (D)=VIO17(SG)
 (E)=
 (F)=



REF.	LEV.	PARTS NO.	DESCRIPTION	Q'TY						I	R
				(A)	(B)	(C)	(D)	(E)	(F)		
1	1	172137-46042	SEAT, SPRING	4	4	4	4				
2	1	172A23-72043	SHAFT	1	1	1	1				
3	1	172A23-72052	GROMMET	1	1	1	1				
4	1	172A46-72070	SPACER	1	1	1	1				
5	1	172A23-72081	GUIDE, SLIDE	2	2	2	2				
6	1	172A64-72300-1	CYLINDER ASSY,ARM(2J)	1	1	1	1				
6-1	1	172A64-72300-N	CYLINDER ASSY,ARM	1	1	1	1				S
		(A=M07001) (B=M07001) (C=M07001) (D=M07001)									
7	2	172449-72020	SEAL SET,HEAD(55-35)	1	1	1	1				
12	2	172141-72250	NUT	1	1	1	1				
13	2	172A64-72310-1	TUBE ASSY, ARM	1	1	1	1				
13-1	2	172A64-72310-N	TUBE ASSY, ARM	1	1	1	1				S
		(A=M07001) (B=M07001) (C=M07001) (D=M07001)									
15	3	172149-72440	BUSH A 30X30,PIN	1	1	1	1				
16	3	172448-81600	SEAL 30X40X4,DUST	2	2	2	2				
17	2	172449-72321	GASKET RGU55 ASSSY	1	1	1	1				
20	2	172A64-72350	ROD ASSY,ARM	1	1	1	1				
22	3	172149-72440	BUSH A 30X30,PIN	1	1	1	1				
23	3	172448-81600	SEAL 30X40X4,DUST	2	2	2	2				
24	2	172A64-72390	PISTON,55X27X28	1	1	1	1				
25	2	172449-72410	HEAD CMP B,55-35	1	1	1	1				
27	3	24550-035300	BUSH	1	1	1	1				
28	2	172173-72550	ROCK WASHER 55	1	1	1	1				
29	2	172141-76180	CONNECTOR ASSY	2	2	2	2				
30	3	24315-000110	O-RING	2	2	2	2				
31	2	24761-040000	NIPPLE, GREASE	1	1	1	1				
32	2	24761-050000	NIPPLE, GREASE	1	1	1	1				
33	1	172A64-72900-1	GUID ASSY,500 (2J)	1	1	1	1				
33-1	1	172A64-72901-1	GUIDE ASSY,500	1	1	1	1				R
		(A=MZZZZZ) (B=MZZZZZ) (C=MZZZZZ) (D=MZZZZZ)									
33-2	1	172A64-72901-N	GUIDE ASSY,500	1	1	1	1				S
		(A=M07001) (B=M07001) (C=M07001) (D=M07001)									
34	1	172A64-72980-1	PLATE,SLIDE 520 (2J)	1	1	1	1				
34-1	1	172A64-72980-N	PLATE,SLIDE 520	1	1	1	1				S
		(A=M07001) (B=M07001) (C=M07001) (D=M07001)									
35	1	26076-100202	BOLT	4	4	4	4				
36	1	26450-060162	BOLT	1	1	1	1				
36-1	1	172A47-72840	BOLT	1	1	1	1				N
		(A=M/# 01435) (B=M/# 01435) (C=M/# 01435) (D=M/# 01435)									

Fig.45. BUCKET CYLINDER

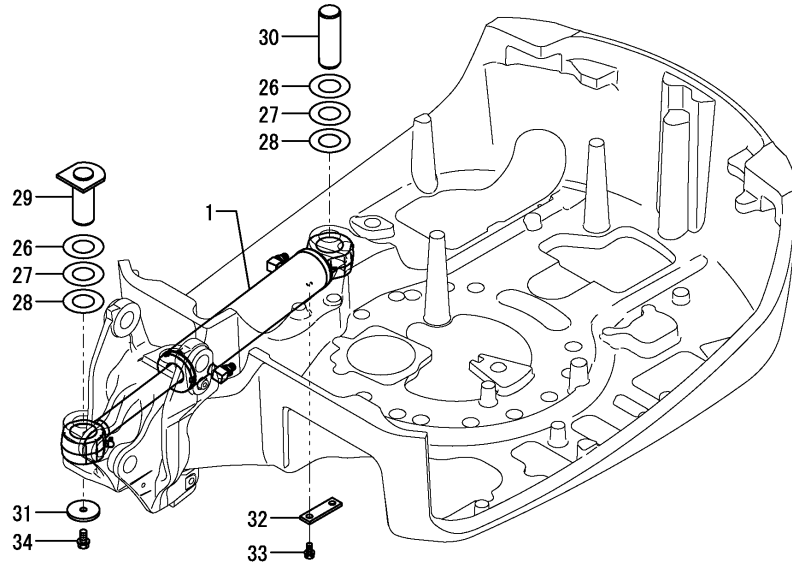
(A)=VIO17(US)
 (B)=VIO17(AS)
 (C)=VIO17(NZ)
 (D)=VIO17(SG)
 (E)=
 (F)=



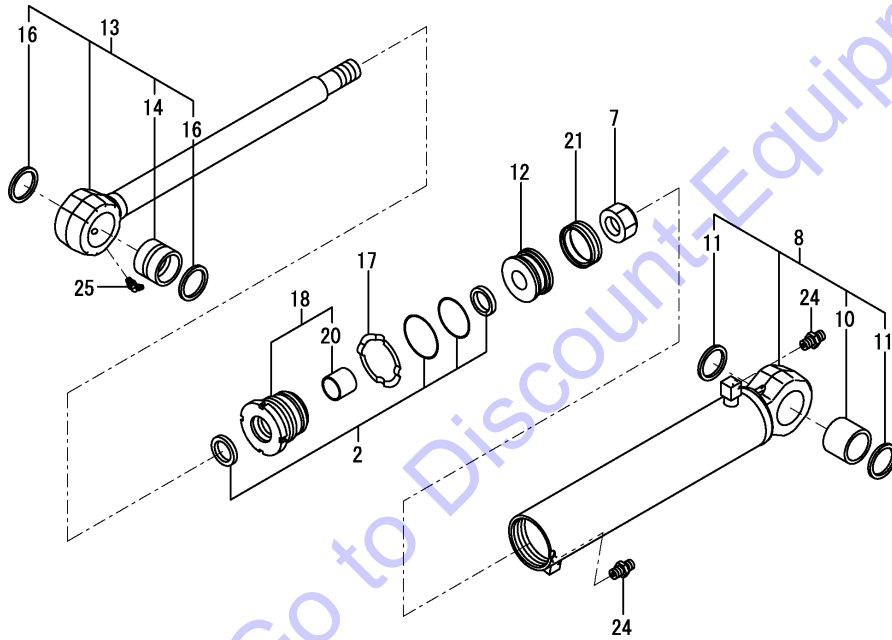
REF.	LEV.	PARTS NO.	DESCRIPTION	Q'TY						I	R
				(A)	(B)	(C)	(D)	(E)	(F)		
1	1	172137-46042	SEAT, SPRING	2	2	2	2				
2	1	172A23-72043	SHAFT	1	1	1	1				
3	1	172A23-72052	GROMMET	1	1	1	1				
4	1	172A46-72070	SPACER	1	1	1	1				
5	1	172A23-72081	GUIDE, SLIDE	2	2	2	2				
6	1	172A64-72400-1	CYLINDER ,BUCKET(2J)	1	1	1	1				
6-1	1	172A64-72400-N	CYLINDER ,BUCKET	1	1	1	1				S
		(A=M07001) (B=M07001) (C=M07001) (D=M07001)									
7	2	172A64-72040	SEAL SET,HEAD 55 30	1	1	1	1				
12	2	172449-72321	GASKET RGU55 ASSSY	1	1	1	1				
15	2	172A64-72410-1	TUBE ASSY, BUCKET	1	1	1	1				
15-1	2	172A64-72410-N	TUBE ASSY, BUCKET	1	1	1	1				S
		(A=M07001) (B=M07001) (C=M07001) (D=M07001)									
17	3	172149-72440	BUSH A 30X30,PIN	1	1	1	1				
18	3	172448-81600	SEAL 30X40X4,DUST	2	2	2	2				
19	2	172A64-72440	PISTON,55X22X28	1	1	1	1				
20	2	172A64-72450	ROD ASSY,BUCKET	1	1	1	1				
22	3	172149-72680	BUSH B 30X30,PIN	1	1	1	1				
23	3	172448-81600	SEAL 30X40X4,DUST	2	2	2	2				
24	2	172A64-72490	U-NUT M22X1.5	1	1	1	1				
25	2	172173-72550	ROCK WASHER 55	1	1	1	1				
26	2	172449-72560	HEAD CMP 55 30	1	1	1	1				
28	3	24550-030300	BUSH	1	1	1	1				
29	2	172141-76180	CONNECTOR ASSY	1	1	1	1				
30	3	24315-000110	O-RING	1	1	1	1				
31	2	23391-020000	JOINT	1	1	1	1				
32	2	24761-050000	NIPPLE, GREASE	1	1	1	1				
33	1	172A64-72950-1	GUIDE ASSY,445 (2J)	1	1	1	1				
33-1	1	172A64-72951-1	GUIDE ASSY,445	1	1	1	1				R
		(A=MZZZZZ) (B=MZZZZZ) (C=MZZZZZ) (D=MZZZZZ)									
33-2	1	172A64-72951-N	GUIDE ASSY,445	1	1	1	1				S
		(A=M07001) (B=M07001) (C=M07001) (D=M07001)									
34	1	172A64-72980-1	PLATE,SLIDE 520 (2J)	1	1	1	1				
34-1	1	172A64-72980-N	PLATE,SLIDE 520	1	1	1	1				S
		(A=M07001) (B=M07001) (C=M07001) (D=M07001)									
35	1	22217-100000	WASHER, SPRING	1	1	1	1				Z
		(A=M/# 01109) (B=M/# 01109) (C=M/# 01109) (D=M/# 01109)									
36	1	26076-100202	BOLT	2	2	2	2				
37	1	26116-100202	BOLT	1	1	1	1				
37-1	1	26013-100202	BOLT	1	1	1	1				N
		(A=M/# 01109) (B=M/# 01109) (C=M/# 01109) (D=M/# 01109)									
38	1	26450-060162	BOLT	1	1	1	1				
38-1	1	172A47-72840	BOLT	1	1	1	1				N
		(A=M/# 01435) (B=M/# 01435) (C=M/# 01435) (D=M/# 01435)									
39	1	933147-03400	WASHER, BRAKE ARM	1	1	1	1				
40	1	933168-14170	SPRING	2	2	2	2				

Fig.46. SWING CYLINDER

(A)=VIO17(US) (D)=VIO17(SG)
 (B)=VIO17(AS) (E)=
 (C)=VIO17(NZ) (F)=



1 INC. 2~25.



REF.	LEV.	PARTS NO.	DESCRIPTION	Q'TY						I	R
				(A)	(B)	(C)	(D)	(E)	(F)		
1	1	172A64-72500	CYLINDER ASSY,SWING	1	1	1	1				
2	2	172449-72040	SEAL SET,HEAD(65-35	1	1	1	1				
7	2	172141-72250	U-NUT M27	1	1	1	1				
8	2	172A64-72510	TUBE ASSY, SWING	1	1	1	1				
10	3	172448-72650	SEAL 40X50X4,DUST	2	2	2	2				
11	3	172458-72740	BUSH 40X40,SO	1	1	1	1				
12	2	172A64-72540	PISTON,65X27X31	1	1	1	1				
13	2	172A64-72550	ROD ASSY,SWING	1	1	1	1				
14	3	172168-72410	BUSH 40X50X40	1	1	1	1				
16	3	172448-72650	SEAL 40X50X4,DUST	2	2	2	2				
17	2	172142-72560	WASHER 65, LOCK	1	1	1	1				
18	2	172449-72810	HEAD CMP 65-35	1	1	1	1				
20	3	24550-035300	BUSH 35X30	1	1	1	1				
21	2	172449-72960	GASKET RGU 65	1	1	1	1				
24	2	23391-020000	JOINT RGI1/4	2	2	2	2				
25	2	24761-050000	NIPPLE C,GREASE	1	1	1	1				
26	1	172165-82580	SHIM 40X75X0.5	2	2	2	2				
27	1	172165-82590	SHIM 40X75X1.2	2	2	2	2				
28	1	172165-82600	SHIM 40X75X1.6	2	2	2	2				
29	1	172A64-82650	PIN ASSY, 40X96	1	1	1	1				
30	1	172A64-82670	PIN, 40X120	1	1	1	1				
31	1	172146-82910	SPACER	1	1	1	1				
32	1	172117-83970-7	PLATE(C),LOCK(GRAY49	1	1	1	1				
33	1	26013-100202	BOLT W/WASHER M10X20	2	2	2	2				
34	1	26013-120252	BOLT M12X 25	1	1	1	1				

Fig.47. BLADE CYLINDER

(A)=VIO17(US) (D)=VIO17(SG)
 (B)=VIO17(AS) (E)=
 (C)=VIO17(NZ) (F)=

REF.	LEV.	PARTS NO.	DESCRIPTION	Q'TY						I	R
				(A)	(B)	(C)	(D)	(E)	(F)		
1	1	172A64-72601	CYLINDER, BLADE (49)	1	1	1	1				
2	2	172A64-72020	SEAL SET, HEAD 60 30	1	1	1	1				
7	2	172638-72200	SEAL SET	1	1	1	1				
7-1	2	172638-72201	SEAL SET	1	1	1	1				N
		(A=M/# 01404) (B=M/# 01404) (C=M/# 01404) (D=M/# 01404)									
10	2	172A64-72490	U-NUT M22X1.5	1	1	1	1				
11	2	172A64-72610	TUBE ASSY, BLADE	1	1	1	1				
12	3	172149-72440	BUSH A 30X30, PIN	1	1	1	1				
14	3	172448-81600	SEAL 30X40X4, DUST	2	2	2	2				
15	2	172A64-72640	PISTON, 60X22X28	1	1	1	1				
16	2	172A64-72651	ROD ASSY, BLADE	1	1	1	1				
17	3	172149-72440	BUSH A 30X30, PIN	1	1	1	1				
19	3	172448-81600	SEAL 30X40X4, DUST	2	2	2	2				
20	2	172447-72860	HEAD 60 30	1	1	1	1				
22	3	24550-030300	BUSH 30X30	1	1	1	1				
23	2	23391-020000	JOINT RG1/4	2	2	2	2				
24	2	933125-59600	WASHER 60 B, LOCK	1	1	1	1				
25	1	172A64-72690	PROTECTOR (GRAY:49)	1	1	1	1				
26	1	26014-100252	BOLT 10X25 W/PLW+SPW	2	2	2	2				

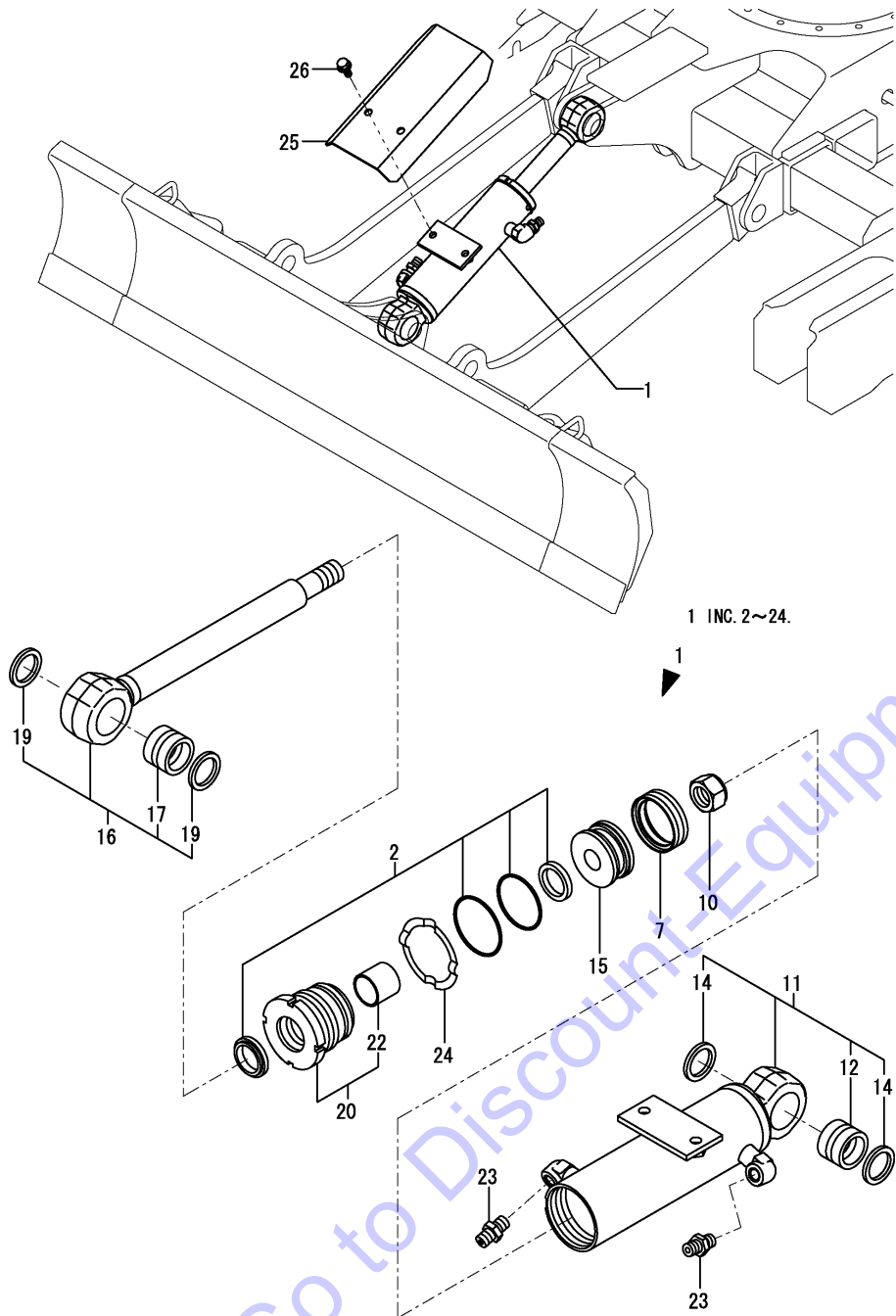
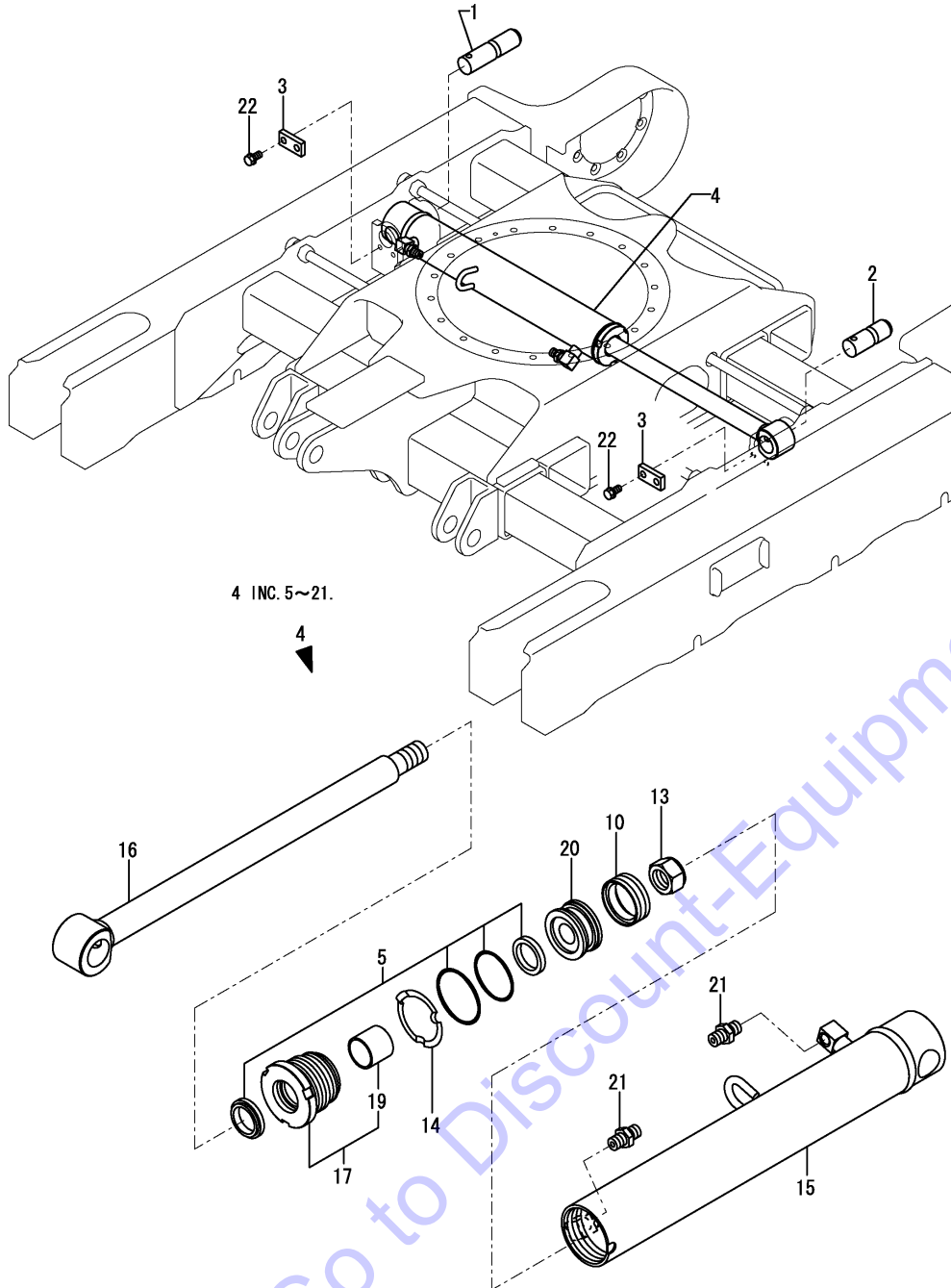


Fig.48. VARIABLE LEG WIDEN / SHORTEN CYLINDER

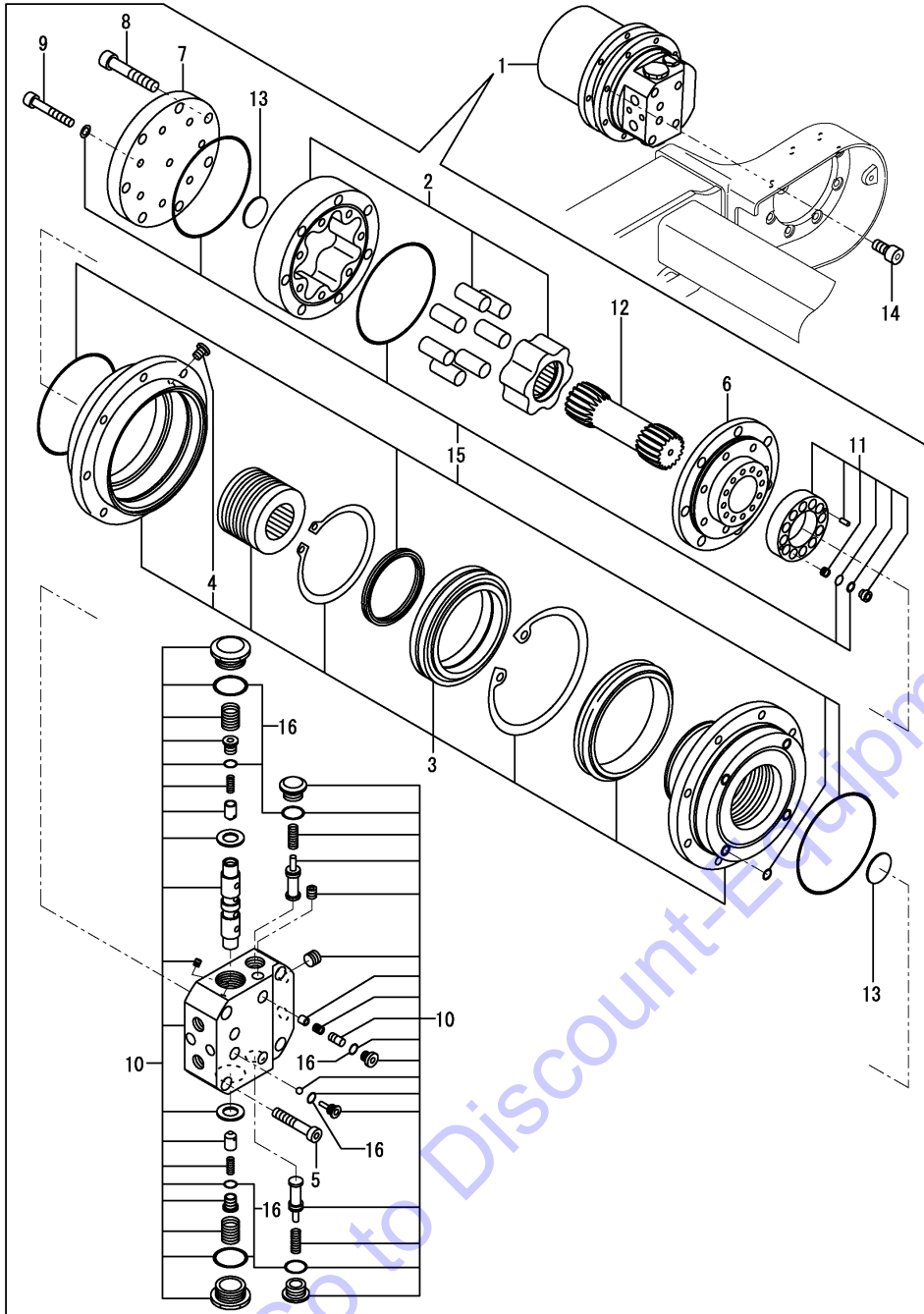
(A)=VIO17(US) (D)=VIO17(SG)
 (B)=VIO17(AS) (E)=
 (C)=VIO17(NZ) (F)=



REF.	LEV.	PARTS NO.	DESCRIPTION	Q'TY						I	R
				(A)	(B)	(C)	(D)	(E)	(F)		
1	1	172A64-50720	PIN 30X95	1	1	1	1				
2	1	172A64-50730	PIN 30X65	1	1	1	1				
3	1	172A64-50770	PLATE,LOCK (GRAY:49)	2	2	2	2				
4	1	172A64-72700	CYL ASSY,VARIABLE(49)	1	1	1	1				
5	2	172A64-72040	SEAL SET,HEAD 55 30	1	1	1	1				
10	2	172449-72321	GASKET RGU55 ASSSY	1	1	1	1				
13	2	172A64-72490	U-NUT M22X1.5	1	1	1	1				
14	2	172173-72550	ROCK WASHER 55	1	1	1	1				
15	2	172A64-72710	TUBE ASSY, VARIABLE	1	1	1	1				
16	2	172A64-72750	ROD,ASSY,VARIABLE	1	1	1	1				
17	2	172A64-72810	HEAD ASSY, 55 30	1	1	1	1				
19	3	24550-030300	BUSH 30X30	1	1	1	1				
20	2	172A64-72860	PISTON,55	1	1	1	1				
21	2	23391-020000	JOINT RG1/4	2	2	2	2				
22	1	26013-100252	BOLT W/WASHER M10X25	4	4	4	4				

Fig.49. TRAVEL MOTOR

(A)=VIO17(US) (D)=VIO17(SG)
 (B)=VIO17(AS) (E)=
 (C)=VIO17(NZ) (F)=

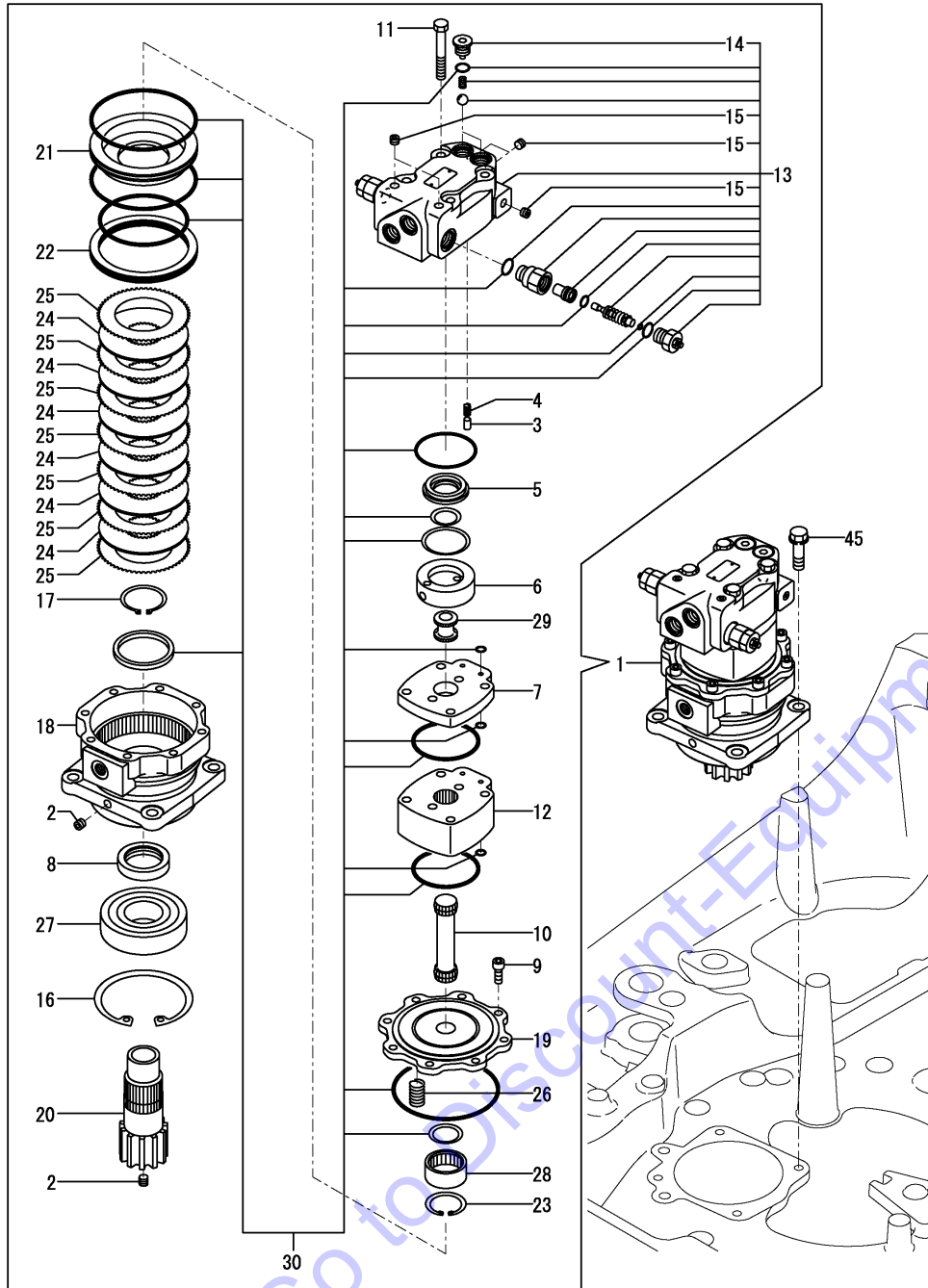


REF.	LEV.	PARTS NO.	DESCRIPTION	Q'TY						I	R
				(A)	(B)	(C)	(D)	(E)	(F)		
1	1	172A64-73300	MOTOR ASSY, TRAVEL	1	1	1	1				
2	2	172A64-73350	GEROLLER ASSY	2	2	2	2				
3	2	172A64-73360	SPINDLE WHEEL ASSY	2	2	2	2				
4	3	172A64-73440	PLUG	2	2	2	2				
5	2	172168-73370	BOLT	8	8	8	8				
6	2	172A64-73380	PLATE, VALVE	2	2	2	2				
7	2	172A64-73390	COVER, ROLLER	2	2	2	2				
8	2	172A64-73400	BOLT, 10X80	14	14	14	14				
9	2	172A64-73410	BOLT, 8X73	14	14	14	14				
10	2	172A64-73420	COVER, END ASSY	2	2	2	2				
11	2	172A64-73430	VALVE ASSY	2	2	2	2				
12	2	172A64-73450	DRIVE	2	2	2	2				
13	2	172A64-73460	SPACER	4	4	4	4				
14	1	26450-100252	BOLT M10X 25	16	16	16	16				
15	1	172A64-73510	SEAL KIT, TRAVEL M	2	2	2	2				
16	1	172A64-73520	SEAL KIT, END COVER	2	2	2	2				

Fig.50. TURNIG MOTOR

(A)=VIO17(US)
(B)=VIO17(AS)
(C)=VIO17(NZ)

(D)=VIO17(SG)
(E)=
(F)=

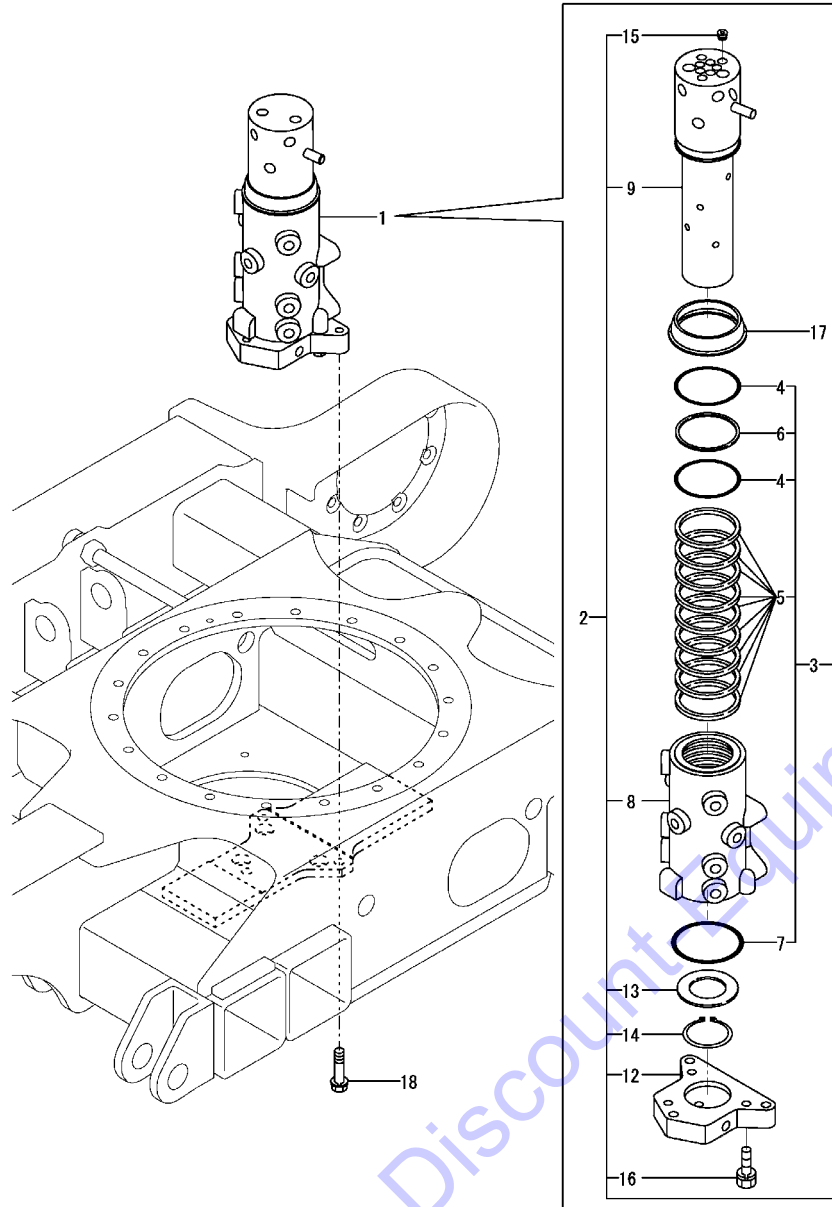


REF.	LEV.	PARTS NO.	DESCRIPTION	Q'TY						I	R
				(A)	(B)	(C)	(D)	(E)	(F)		
1	1	172A64-73310	MOTOR ASSY, REVOLVE	1	1	1	1				
2	2	172137-70490	PLUG	2	2	2	2				
3	2	172137-70570	PIN	2	2	2	2				
4	2	172137-70580	SPRING	2	2	2	2				
5	2	172137-70590	PLATE	1	1	1	1				
6	2	172137-70600	VALVE	1	1	1	1				
7	2	172148-73350	PLATE, VALVE	1	1	1	1				
8	2	172173-73520	COLLAR	1	1	1	1				
9	2	172A64-73600	BOLT,8X20	8	8	8	8				
10	2	172A64-73610	DRIVE	1	1	1	1				
11	2	172A64-73620	BOLT	4	4	4	4				
12	2	172A64-73630	ROLLER	1	1	1	1				
13	2	172A64-73640	HOUSING, VALVE ASSY	1	1	1	1				
14	3	172168-73590	PLUG	2	2	2	2				
15	3	23871-010000	PLUG PT1/8,SCREW	3	3	3	3				
16	2	172173-73690	SNAP RING	1	1	1	1				
17	2	172173-73700	SNAP RING	1	1	1	1				
18	2	172456-77150	HOUSING, BEARING	1	1	1	1				
19	2	172456-77160	FLANGE, MOUTING	1	1	1	1				
20	2	172456-77170	GEAR, PINION	1	1	1	1				
21	2	172456-77180	PISTON, HYDRAULIC	1	1	1	1				
22	2	172456-77190	RING	1	1	1	1				
23	2	172456-77200	CIRCLIP	1	1	1	1				
24	2	172456-77210	PLATE, FRICTION	6	6	6	6				
25	2	172456-77220	PLATE	7	7	7	7				
26	2	172456-77230	SPRING	8	8	8	8				
27	2	172456-77240	FRONT BEARING	1	1	1	1				
28	2	172456-77250	NEEDLE BEARING	1	1	1	1				
29	2	172141-77260	VALVE DRIVE	1	1	1	1				
30	2	172A64-73660	SEAL KIT,TURN.MOTOR	1	1	1	1				
45	1	26013-120402	BOLT M12X 40	4	4	4	4				

Fig.51. SWIVEL JOINT(Y SPEC.)

(A)=VIO17(US)
(B)=VIO17(AS)
(C)=VIO17(NZ)

(D)=VIO17(SG)
(E)=
(F)=



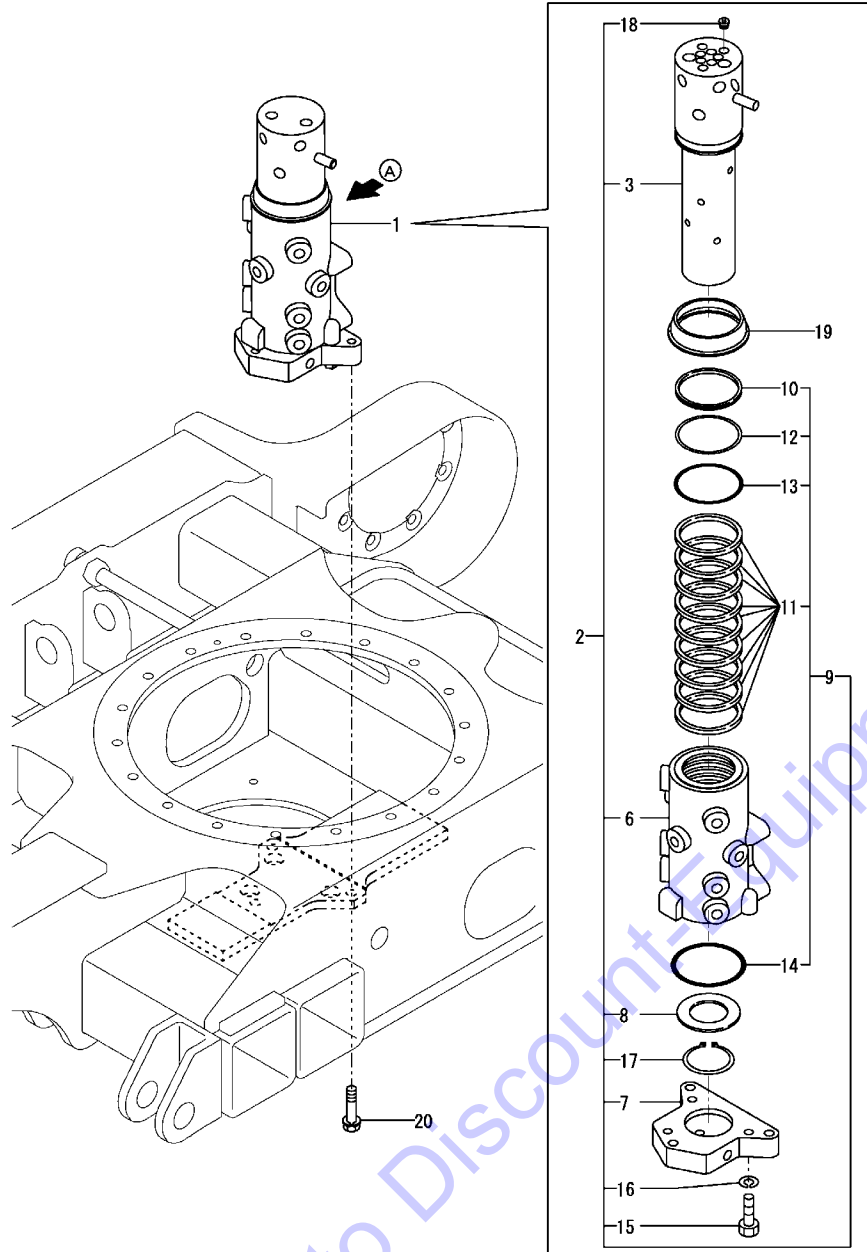
REF.	LEV.	PARTS NO.	DESCRIPTION	Q'TY						I	R
				(A)	(B)	(C)	(D)	(E)	(F)		
1	1	172448-73840	SWIVEL ASSY	1	1	1	1			Z	1
		(A=MZZZZZ) (B=MZZZZZ) (C=MZZZZZ) (D=MZZZZZ)									
2	2	172448-73851	SWIVEL,ASSY	1	1	1	1				
3	3	172446-73900	SEAL SET,SWIVEL	1	1	1	1				
4	4	172142-73800	O-RING	2	2	2	2				
5	4	172447-73840	SEAL	9	9	9	9				
6	4	172148-73870	RING, BUCK UP	1	1	1	1				
7	4	24321-000700	O-RING	1	1	1	1				
8	3	172448-73860	HUB,SWIVEL	1	1	1	1				
9	3	172446-73872	SHAFT ASSY, SWIVEL	1	1	1	1				
12	3	172446-73890	FLANGE,SWIVEL	1	1	1	1				
13	3	172157-73910	SPACER, SWIVEL	1	1	1	1				
14	3	22242-000401	RING	1	1	1	1				
15	3	23871-010000	PLUG	8	8	8	8				
16	3	26013-080352	BOLT	3	3	3	3				
17	2	172448-73900	DUST COVER	1	1	1	1				
18	1	26013-100302	BOLT	3	3	3	3				

Remarks
(1)Compatibility by assembly exchange
with parts of Fig.89(51A)
Ref.No.1.

Fig.89. (51A)SWIVEL JOINT(N SPEC.)

(A)=VIO17(US)
(B)=VIO17(AS)
(C)=VIO17(NZ)

(D)=VIO17(SG)
(E)=
(F)=



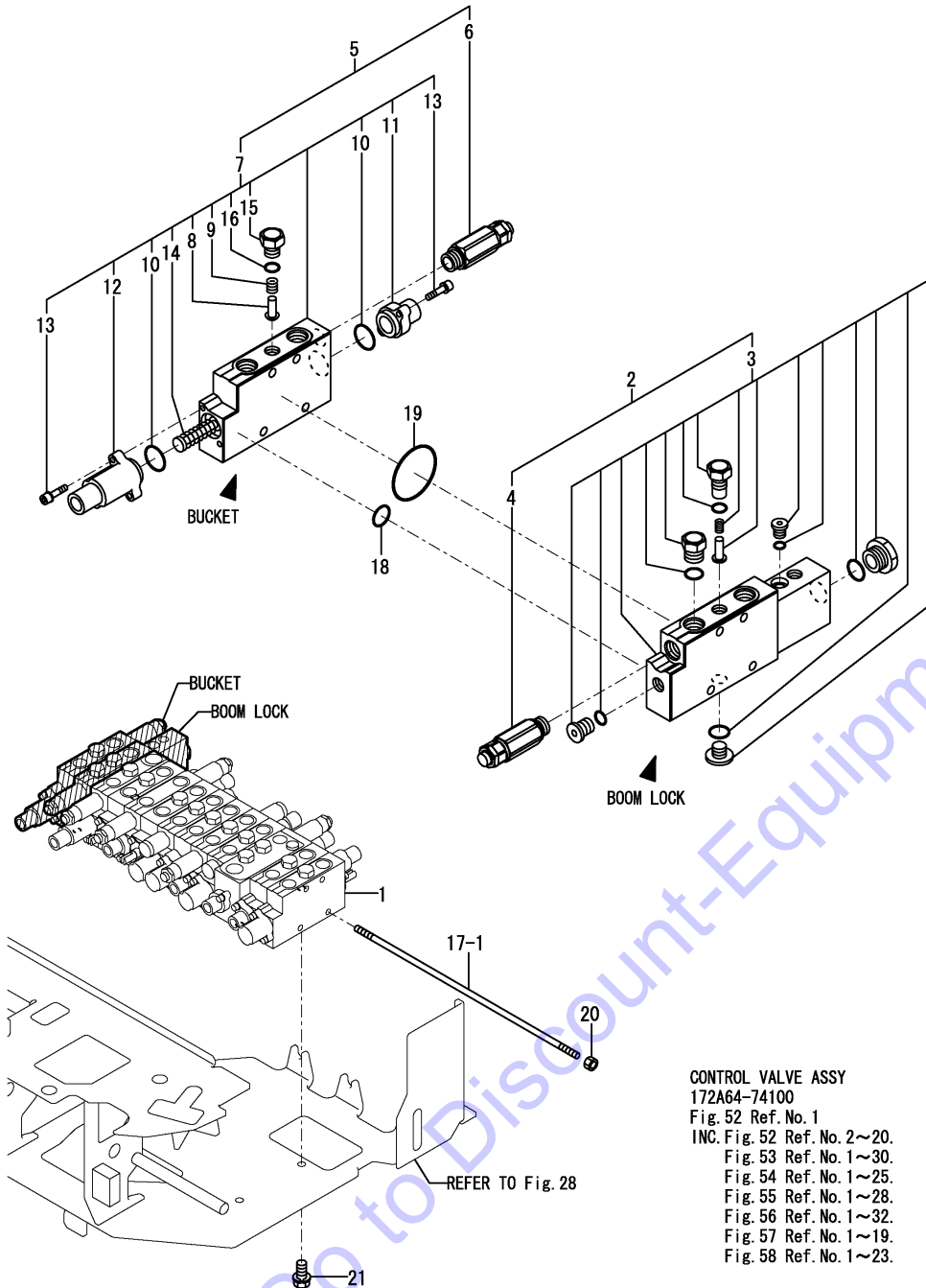
REF.	LEV.	PARTS NO.	DESCRIPTION	Q'TY						I	R	
				(A)	(B)	(C)	(D)	(E)	(F)			
1	1	172A64-73790 (A=MZZZZZ) (B=MZZZZZ) (C=MZZZZZ) (D=MZZZZZ)	JOINT ASSY,SWIVEL S	1	1	1	1				W	1
2	2	172A64-73800	JOINT ASSY,SWIVEL S	1	1	1	1					
3	3	172A64-73810	SHAFT ASSY,SWIVEL SL	1	1	1	1					
6	3	172A64-73840	HUB,SWIVEL S	1	1	1	1					
7	3	172A64-73850	FLANGE,SWIVEL SL	1	1	1	1					
8	3	172B02-73860	SPACER, SWIVEL	1	1	1	1					
9	3	172A64-73880	SEAL KIT,SL	1	1	1	1					
10	4	172A64-73870	RING,V	1	1	1	1					
11	4	172B02-73870	SEAL, SWIVEL	9	9	9	9					
12	4	172B02-73880	RING, BACKUP T3 55	1	1	1	1					
13	4	24315-000560	O-RING	1	1	1	1					
14	4	24325-000700	O-RING	1	1	1	1					
15	3	172A64-73890	BOLT,10.9 8X 40	3	3	3	3					
16	3	22217-080000	WASHER, SPRING	3	3	3	3					
17	3	22242-000451	RING	1	1	1	1					
18	3	23871-010000	PLUG	8	8	8	8					
19	2	172448-73900	DUST COVER	1	1	1	1					
20	1	26013-100302	BOLT	3	3	3	3					

Remarks
(1)A:'NACHI'LABEL

Fig.52. CONTROL VALVE(1/7)

(A)=VIO17(US)
(B)=VIO17(AS)
(C)=VIO17(NZ)

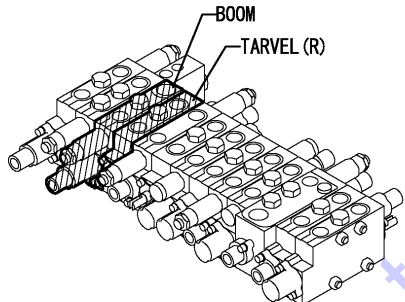
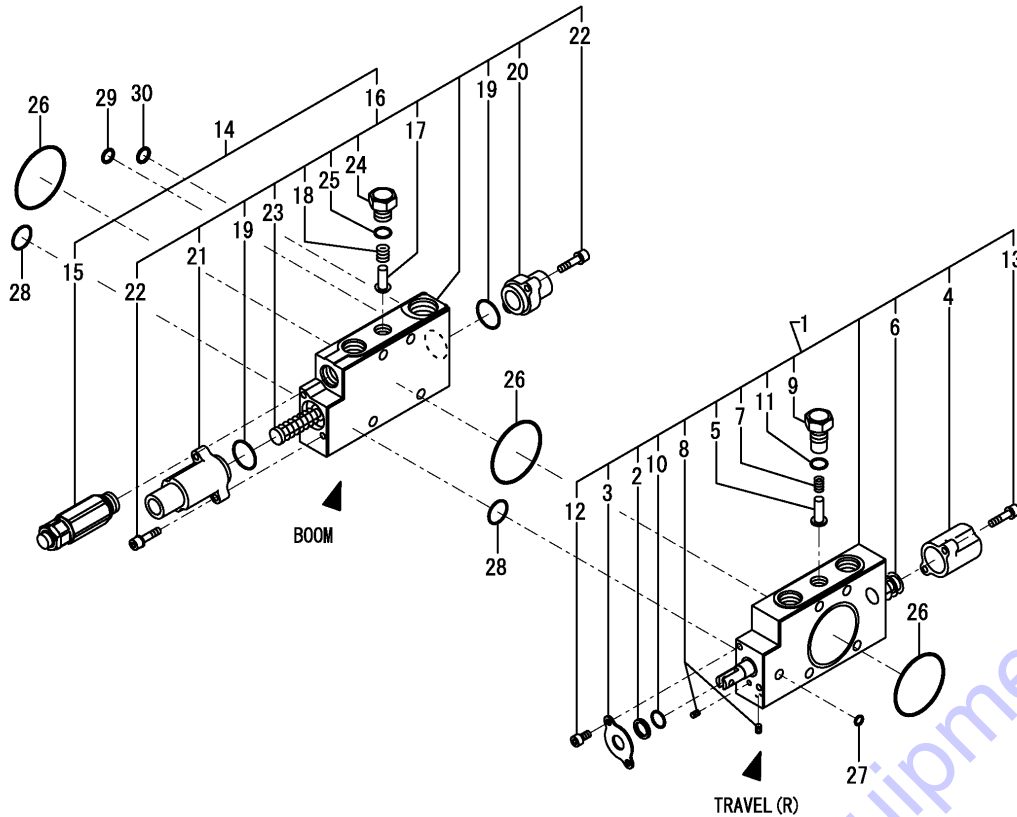
(D)=VIO17(SG)
(E)=
(F)=



REF.	LEV.	PARTS NO.	DESCRIPTION	Q'TY						I	R
				(A)	(B)	(C)	(D)	(E)	(F)		
1	1	172A64-74100	VALVE ASSY, CONTROL	1	1	1	1				
2	2	172A64-74430	BOOM LOCK PART	1	1	1	1				
3	3	172A64-74440	BOOM LOCK SEC ASSY	1	1	1	1				
4	3	172456-74440	OVERLOAD 300/5	1	1	1	1				
5	2	172A64-74450	BUCKET SELECT	1	1	1	1				
6	3	172456-74280	OVERLOAD 250/5	1	1	1	1				
7	3	172A64-74460	BUCKET SEC ASSY	1	1	1	1				
8	4	172458-74150	CHECK VALVE	1	1	1	1				
9	4	172458-74160	SPRING, CHECK VALVE	1	1	1	1				
10	4	172458-74230	PACKING S 22	2	2	2	2				
11	4	172458-74240	COVER B1, PILOT	1	1	1	1				
12	4	172458-74250	COVER A1, PILOT	1	1	1	1				
13	4	172458-74260	SWP HEX.BOLT 5X20	4	4	4	4				
14	4	172A64-74470	SPOOL ASSY,BUCKET	1	1	1	1				
15	4	172458-74630	STAY, CHECK VALVE	1	1	1	1				
16	4	24315-000110	O-RING 1B P-11.0	1	1	1	1				
I 17-1	2	172A47-75450	BOLT L=412	4	4	4	4				
18	2	172458-74720	PACKING G 4	1	1	1	1				
19	2	24311-000180	O-RING 1A P-18.0	1	1	1	1				
20	2	26716-080002	NUT M 8	4	4	4	4				
21	1	26013-100162	BOLT M10X 16	3	3	3	3				

Fig.53. CONTROL VALVE(2/7)

(A)=VIO17(US)
 (B)=VIO17(AS)
 (C)=VIO17(NZ)
 (D)=VIO17(SG)
 (E)=
 (F)=



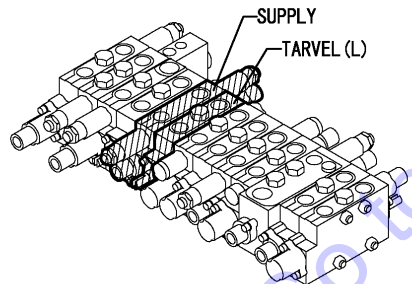
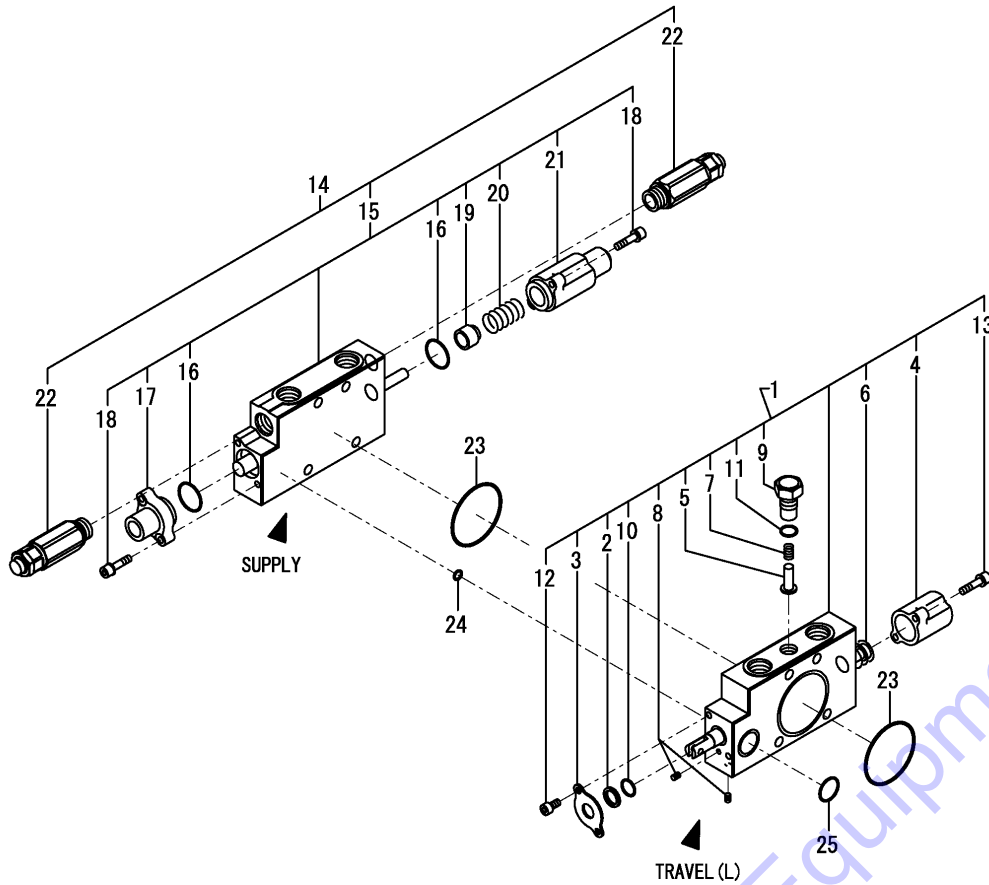
CONTROL VALVE ASSY
 172A64-74100
 Fig. 52 Ref. No. 1
 INC. Fig. 52 Ref. No. 2~20.
 Fig. 53 Ref. No. 1~30.
 Fig. 54 Ref. No. 1~25.
 Fig. 55 Ref. No. 1~28.
 Fig. 56 Ref. No. 1~32.
 Fig. 57 Ref. No. 1~19.
 Fig. 58 Ref. No. 1~23.

REF.	LEV.	PARTS NO.	DESCRIPTION	Q'TY						I	R
				(A)	(B)	(C)	(D)	(E)	(F)		
1	2	172A64-74390	TRAVEL R SEC ASSY	1	1	1	1				
2	3	172458-74130	DUST WIPER	1	1	1	1				
3	3	172458-74140	BRACKET, OIL SEAL	1	1	1	1				
4	3	172458-74170	CAP,SPRING	1	1	1	1				
5	3	172458-74290	CHECK VALVE	1	1	1	1				
6	3	172A64-74360	SPOOL ASSY,TRAVEL	1	1	1	1				
7	3	172458-74360	SPRING, CHECK VALVE	1	1	1	1				
8	3	172458-74460	PLUG GPM1/32	2	2	2	2				
9	3	172458-74640	STAY, CHECK VALVE	1	1	1	1				
10	3	24311-000120	O-RING 1A P 12.0	1	1	1	1				
11	3	24315-000110	O-RING 1B P-11.0	1	1	1	1				
12	3	26450-050102	BOLT M 5X 10	2	2	2	2				
13	3	26450-050182	BOLT 5* 18	2	2	2	2				
14	2	172A64-74400	BOOM SELECT	1	1	1	1				
15	3	172462-74340	VALVE ASSY,OVER LOAD	1	1	1	1				
16	3	172A64-74410	BOOM SEC ASSY	1	1	1	1				
17	4	172458-74150	CHECK VALVE	1	1	1	1				
18	4	172458-74160	SPRING, CHECK VALVE	1	1	1	1				
19	4	172458-74230	PACKING S 22	2	2	2	2				
20	4	172458-74240	COVER B1, PILOT	1	1	1	1				
21	4	172458-74250	COVER A1, PILOT	1	1	1	1				
22	4	172458-74260	SWP HEX,BOLT 5X20	4	4	4	4				
23	4	172A64-74420	SPOOL ASSY,BOOM	1	1	1	1				
24	4	172458-74630	STAY, CHECK VALVE	1	1	1	1				
25	4	24315-000110	O-RING 1B P-11.0	1	1	1	1				
26	2	172458-74720	PACKING G 4	3	3	3	3				
27	2	24311-000060	O-RING 1A P-6.0	1	1	1	1				
28	2	24311-000180	O-RING 1A P-18.0	2	2	2	2				
29	2	24315-000090	O-RING 1B P- 9.0	1	1	1	1				
30	2	24315-000100	O-RING 1B P-10.0	1	1	1	1				

Fig.54. CONTROL VALVE(3/7)

(A)=VIO17(US)
(B)=VIO17(AS)
(C)=VIO17(NZ)

(D)=VIO17(SG)
(E)=
(F)=

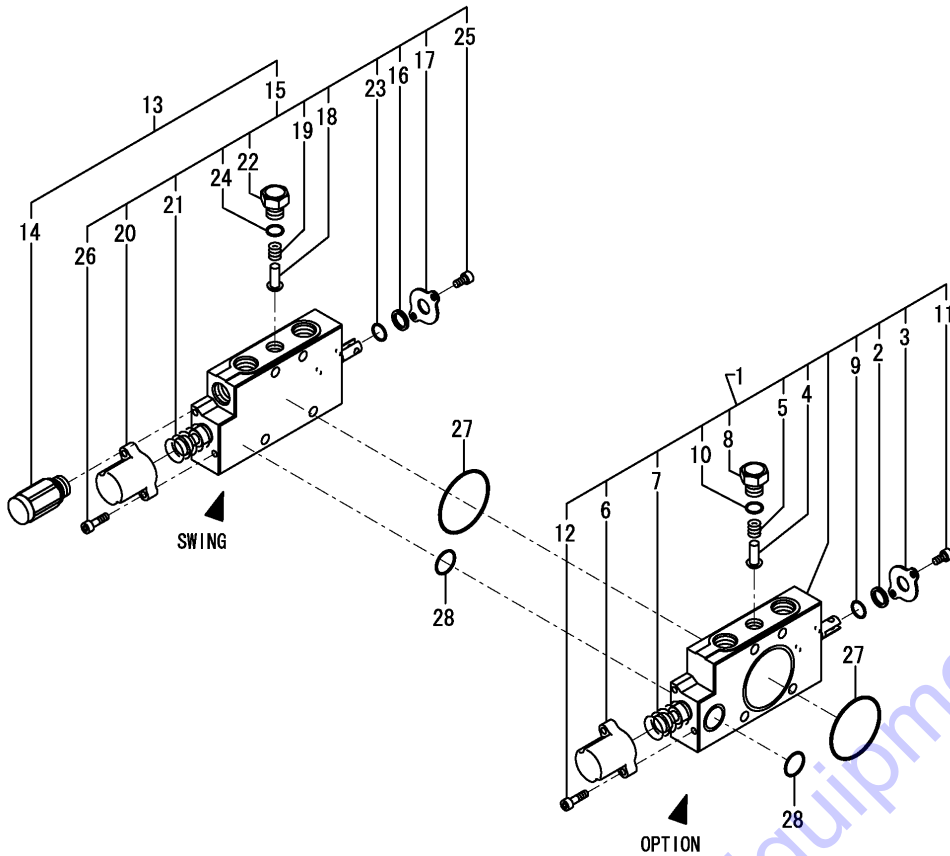


CONTROL VALVE ASSY
172A64-74100
Fig. 52 Ref. No. 1
INC. Fig. 52 Ref. No. 2~20.
Fig. 53 Ref. No. 1~30.
Fig. 54 Ref. No. 1~25.
Fig. 55 Ref. No. 1~28.
Fig. 56 Ref. No. 1~32.
Fig. 57 Ref. No. 1~19.
Fig. 58 Ref. No. 1~23.

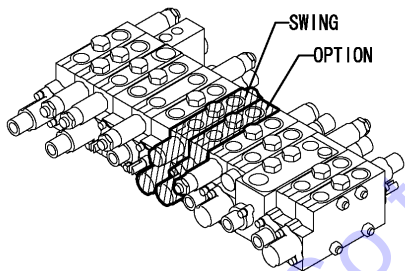
REF.	LEV.	PARTS NO.	DESCRIPTION	Q'TY						I	R
				(A)	(B)	(C)	(D)	(E)	(F)		
1	2	172A64-74350	TRAVEL L SEC ASSY	1	1	1	1				
2	3	172458-74130	DUST WIPER	1	1	1	1				
3	3	172458-74140	BRACKET, OIL SEAL	1	1	1	1				
4	3	172458-74170	CAP,SPRING	1	1	1	1				
5	3	172458-74290	CHECK VALVE	1	1	1	1				
6	3	172A64-74360	SPOOL ASSY,TRAVEL	1	1	1	1				
7	3	172458-74360	SPRING, CHECK VALVE	1	1	1	1				
8	3	172458-74460	PLUG GPM1/32	2	2	2	2				
9	3	172458-74640	STAY, CHECK VALVE	1	1	1	1				
10	3	24311-000120	O-RING 1A P 12.0	1	1	1	1				
11	3	24315-000110	O-RING 1B P-11.0	1	1	1	1				
12	3	26450-050102	BOLT M 5X 10	2	2	2	2				
13	3	26450-050182	BOLT 5* 18	2	2	2	2				
14	2	172A64-74370	SUPPLY PART	1	1	1	1				
15	3	172A64-74380	SUPPLY SEC ASSY	1	1	1	1				
16	4	172458-74230	PACKING S 22	2	2	2	2				
17	4	172458-74240	COVER B1, PILOT	1	1	1	1				
18	4	172458-74260	SWP HEX.BOLT 5X20	4	4	4	4				
19	4	172458-74530	SEAT, SPRING	1	1	1	1				
20	4	172458-74540	SPRING,RETURN	1	1	1	1				
21	4	172458-74550	COVER A2, PILOT	1	1	1	1				
22	3	172A64-74480	VALVE, RELIEF 210	2	2	2	2				
23	2	172458-74720	PACKING G 4	2	2	2	2				
24	2	24311-000060	O-RING 1A P-6.0	1	1	1	1				
25	2	24311-000180	O-RING 1A P-18.0	1	1	1	1				

Fig.55. CONTROL VALVE(4/7)

(A)=VIO17(US)
 (B)=VIO17(AS)
 (C)=VIO17(NZ)
 (D)=VIO17(SG)
 (E)=
 (F)=



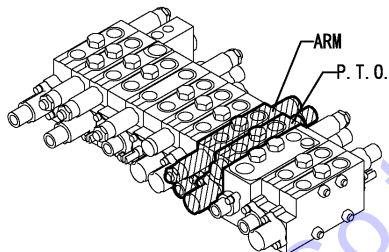
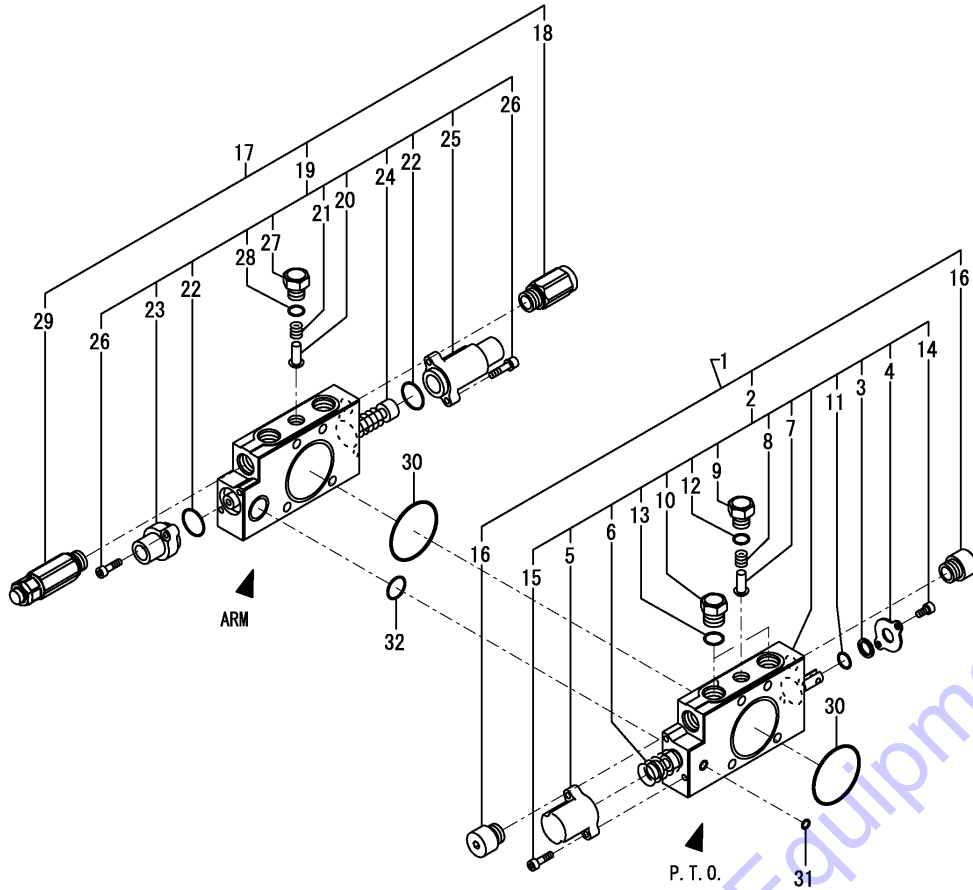
REF.	LEV.	PARTS NO.	DESCRIPTION	Q'TY						I	R
				(A)	(B)	(C)	(D)	(E)	(F)		
1	2	172A64-74260	OPTION SEC ASSY	1	1	1	1				
2	3	172458-74130	DUST WIPER	1	1	1	1				
3	3	172458-74140	BRACKET, OIL SEAL	1	1	1	1				
4	3	172458-74150	CHECK VALVE	1	1	1	1				
5	3	172458-74160	SPRING, CHECK VALVE	1	1	1	1				
6	3	172458-74170	CAP,SPRING	1	1	1	1				
7	3	172A64-74270	SPOOL ASSY,OPTION	1	1	1	1				
8	3	172458-74630	STAY, CHECK VALVE	1	1	1	1				
9	3	24311-000120	O-RING 1A P 12.0	1	1	1	1				
10	3	24315-000110	O-RING 1B P-11.0	2	2	2	2				
11	3	26450-050102	BOLT M 5X 10	2	2	2	2				
12	3	26450-050182	BOLT 5* 18	2	2	2	2				
13	2	172A64-74280	SWING SELECT	1	1	1	1				
14	3	172447-74230	ANTI-CAVITATION	1	1	1	1				
15	3	172A64-74290	SWING SEC ASSY	1	1	1	1				
16	4	172458-74130	DUST WIPER	1	1	1	1				
17	4	172458-74140	BRACKET, OIL SEAL	1	1	1	1				
18	4	172458-74150	CHECK VALVE	1	1	1	1				
19	4	172458-74160	SPRING, CHECK VALVE	1	1	1	1				
20	4	172458-74170	CAP,SPRING	1	1	1	1				
21	4	172A64-74300	SPOOL ASSY,SWING	1	1	1	1				
22	4	172458-74630	STAY, CHECK VALVE	1	1	1	1				
23	4	24311-000120	O-RING 1A P 12.0	1	1	1	1				
24	4	24315-000110	O-RING 1B P-11.0	1	1	1	1				
25	4	26450-050102	BOLT M 5X 10	2	2	2	2				
26	4	26450-050182	BOLT 5* 18	2	2	2	2				
27	2	172458-74720	PACKING G 4	2	2	2	2				
28	2	24311-000180	O-RING 1A P-18.0	2	2	2	2				



CONTROL VALVE ASSY
 172A64-74100
 Fig. 52 Ref. No. 1
 INC. Fig. 52 Ref. No. 2~20.
 Fig. 53 Ref. No. 1~30.
 Fig. 54 Ref. No. 1~25.
 Fig. 55 Ref. No. 1~28.
 Fig. 56 Ref. No. 1~32.
 Fig. 57 Ref. No. 1~19.
 Fig. 58 Ref. No. 1~23.

Fig.56. CONTROL VALVE(5/7)

(A)=VIO17(US)
 (B)=VIO17(AS)
 (C)=VIO17(NZ)
 (D)=VIO17(SG)
 (E)=
 (F)=



CONTROL VALVE ASSY
 172A64-74100

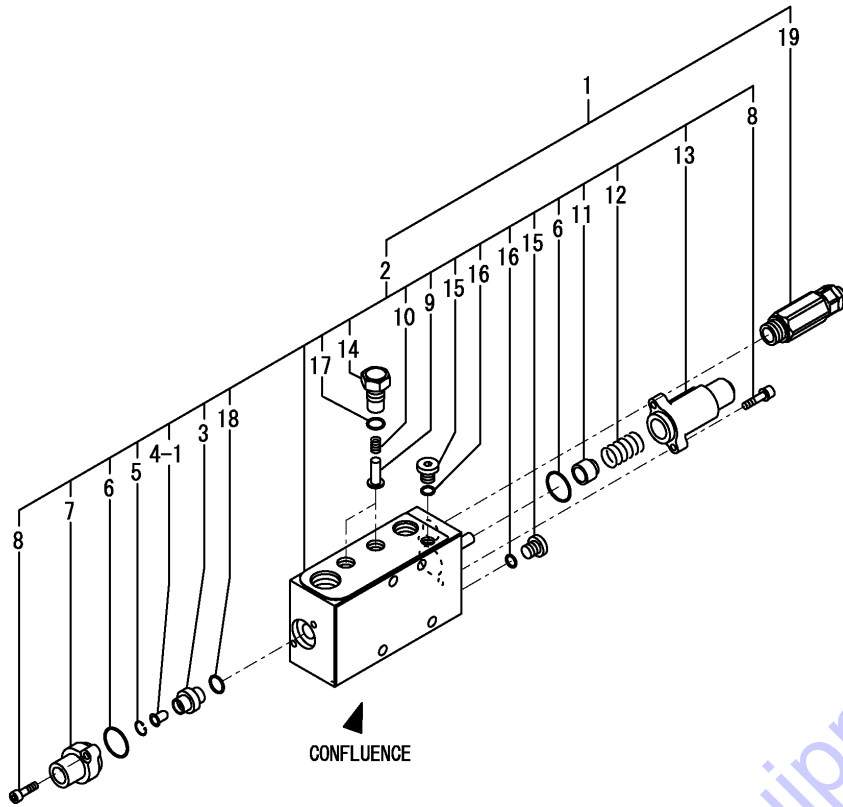
Fig. 52 Ref. No. 1

- INC. Fig. 52 Ref. No. 2~20.
- Fig. 53 Ref. No. 1~30.
- Fig. 54 Ref. No. 1~25.
- Fig. 55 Ref. No. 1~28.
- Fig. 56 Ref. No. 1~32.
- Fig. 57 Ref. No. 1~19.
- Fig. 58 Ref. No. 1~23.

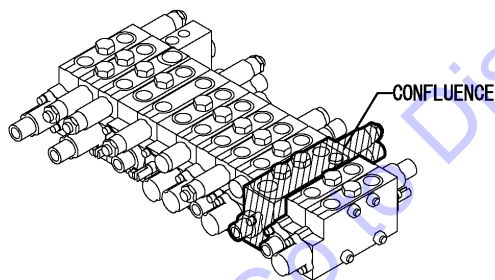
REF.	LEV.	PARTS NO.	DESCRIPTION	QTY						I	R
				(A)	(B)	(C)	(D)	(E)	(F)		
1	2	172A64-74200	PTO SELECT	1	1	1	1				
2	3	172A64-74210	PTO SEC ASSY	1	1	1	1				
3	4	172458-74130	DUST WIPER	1	1	1	1				
4	4	172458-74140	BRACKET, OIL SEAL	1	1	1	1				
5	4	172458-74170	CAP,SPRING	1	1	1	1				
6	4	172A64-74220	SPOOL ASSY,PTO	1	1	1	1				
7	4	172490-74310	CHECK VALVE	1	1	1	1				
8	4	172490-74320	SPRING, CHECK VALVE	1	1	1	1				
9	4	172490-74330	STAY, CHECK VALVE	1	1	1	1				
10	4	172458-74650	STAY, CHECK VALVE	2	2	2	2				
11	4	24311-000120	O-RING 1A P 12.0	1	1	1	1				
12	4	24315-000110	O-RING 1B P-11.0	1	1	1	1				
13	4	24315-000140	O-RING 1B P-14.0	2	2	2	2				
14	4	26450-050102	BOLT M 5X 10	2	2	2	2				
15	4	26450-050182	BOLT 5* 18	2	2	2	2				
16	3	172456-74290	RELIEF VALVE PLUG	2	2	2	2				
17	2	172A64-74230	ARM SELECT	1	1	1	1				
18	3	172447-74230	ANTI-CAVITATION	1	1	1	1				
19	3	172A64-74240	ARM SEC ASSY	1	1	1	1				
20	4	172458-74150	CHECK VALVE	1	1	1	1				
21	4	172458-74160	SPRING, CHECK VALVE	1	1	1	1				
22	4	172458-74230	PACKING S 22	2	2	2	2				
23	4	172458-74240	COVER B1, PILOT	1	1	1	1				
24	4	172A64-74250	SPOOL ASSY,ARM	1	1	1	1				
25	4	172458-74250	COVER A1, PILOT	1	1	1	1				
26	4	172458-74260	SWP HEX.BOLT 5X20	4	4	4	4				
27	4	172458-74630	STAY, CHECK VALVE	1	1	1	1				
28	4	24315-000110	O-RING 1B P-11.0	1	1	1	1				
29	3	172462-74340	VALVE ASSY,OVER LOAD	1	1	1	1				
30	2	172458-74720	PACKING G 4	2	2	2	2				
31	2	24311-000060	O-RING 1A P-6.0	1	1	1	1				
32	2	24311-000180	O-RING 1A P-18.0	1	1	1	1				

Fig.57. CONTROL VALVE(6/7)

(A)=VIO17(US)
 (B)=VIO17(AS)
 (C)=VIO17(NZ)
 (D)=VIO17(SG)
 (E)=
 (F)=



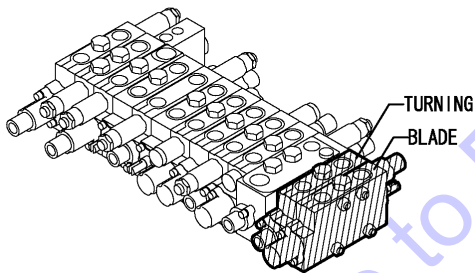
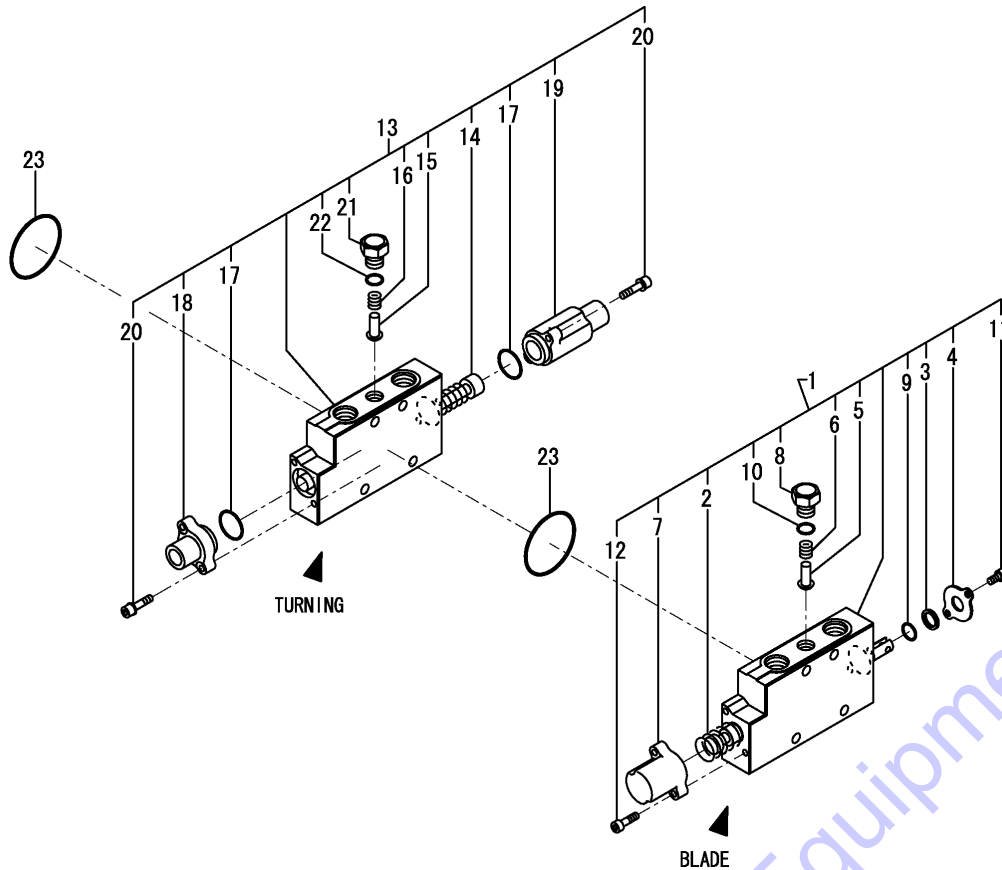
REF.	LEV.	PARTS NO.	DESCRIPTION	Q'TY						I	R
				(A)	(B)	(C)	(D)	(E)	(F)		
1	2	172A64-74150	CONFLUENCE PART	1	1	1	1				
2	3	172A64-74160	CONFLUENCE SEC ASSY	1	1	1	1				
3	4	172A64-74170	CASE, FILTER	1	1	1	1				
I	4-1	172A47-74360	FILTER	1	1	1	1				
5	4	172A64-74190	RING, 8	1	1	1	1				
6	4	172458-74230	PACKING S 22	2	2	2	2				
7	4	172458-74240	COVER B1, PILOT	1	1	1	1				
8	4	172458-74260	SWP HEX.BOLT 5X20	4	4	4	4				
9	4	172458-74290	CHECK VALVE	2	2	2	2				
10	4	172458-74360	SPRING, CHECK VALVE	2	2	2	2				
11	4	172458-74530	SEAT, SPRING	1	1	1	1				
12	4	172458-74540	SPRING, RETURN	1	1	1	1				
13	4	172458-74550	COVER A2, PILOT	1	1	1	1				
14	4	172458-74640	STAY, CHECK VALVE	2	2	2	2				
15	4	172458-74670	PLUG, PF1/8	2	2	2	2				
16	4	24315-000080	O-RING 1B P-8.0	2	2	2	2				
17	4	24315-000110	O-RING 1B P-11.0	2	2	2	2				
18	4	24315-240100	O-RING 1B P-10A	1	1	1	1				
19	3	172A64-74490	VALVE, RELIEF 170	1	1	1	1				



CONTROL VALVE ASSY
 172A64-74100
 Fig. 52 Ref. No. 1
 INC. Fig. 52 Ref. No. 2~20.
 Fig. 53 Ref. No. 1~30.
 Fig. 54 Ref. No. 1~25.
 Fig. 55 Ref. No. 1~28.
 Fig. 56 Ref. No. 1~32.
 Fig. 57 Ref. No. 1~19.
 Fig. 58 Ref. No. 1~23.

Fig.58. CONTROL VALVE(7/7)

(A)=VIO17(US)
 (B)=VIO17(AS)
 (C)=VIO17(NZ)
 (D)=VIO17(SG)
 (E)=
 (F)=

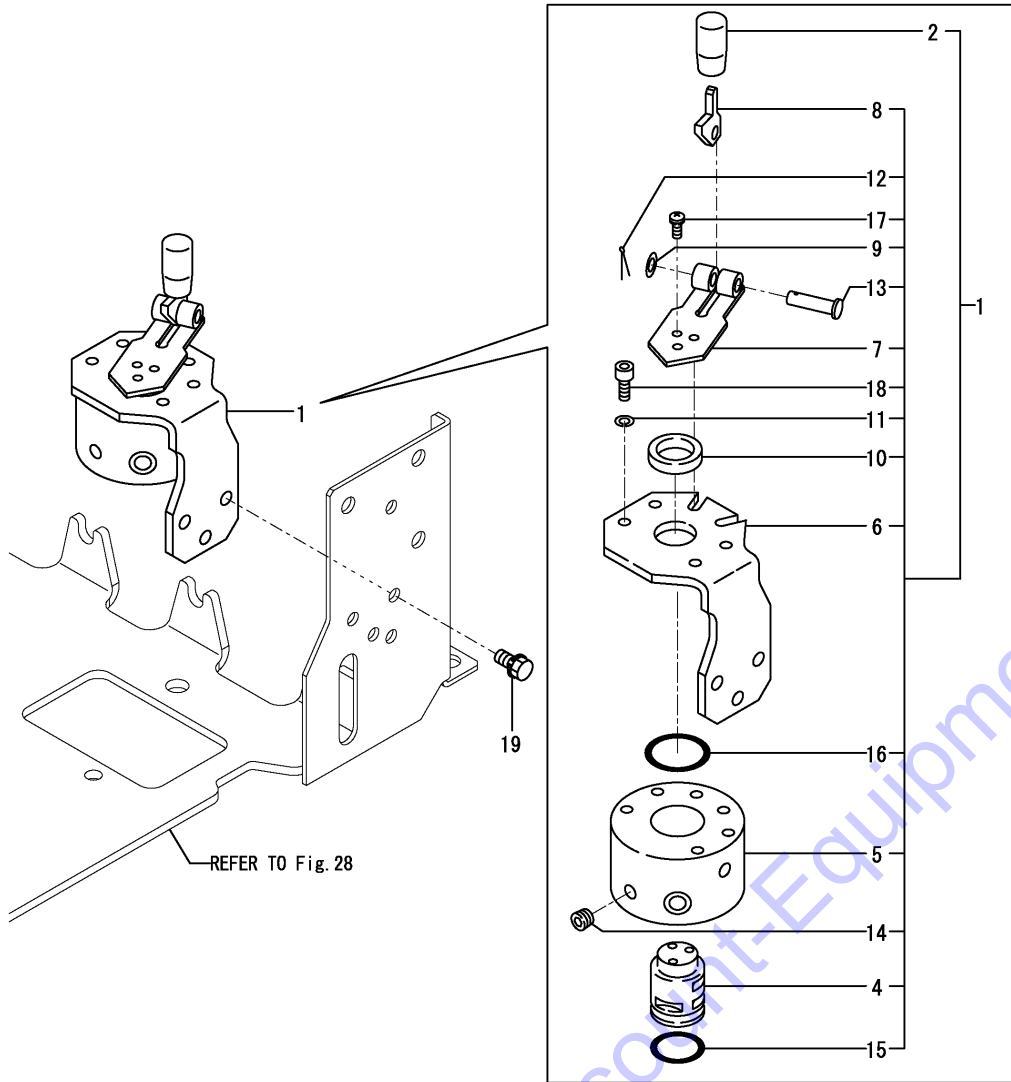


CONTROL VALVE ASSY
 172A64-74100
 Fig. 52 Ref. No. 1
 INC. Fig. 52 Ref. No. 2~20.
 Fig. 53 Ref. No. 1~30.
 Fig. 54 Ref. No. 1~25.
 Fig. 55 Ref. No. 1~28.
 Fig. 56 Ref. No. 1~32.
 Fig. 57 Ref. No. 1~19.
 Fig. 58 Ref. No. 1~23.

REF.	LEV.	PARTS NO.	DESCRIPTION	Q'TY						I	R
				(A)	(B)	(C)	(D)	(E)	(F)		
1	2	172A64-74110	BLADE SEC ASSY	1	1	1	1				
2	3	172A64-74120	SPOOL ASSY, BLADE	1	1	1	1				
3	3	172458-74130	DUST WIPER	1	1	1	1				
4	3	172458-74140	BRACKET, OIL SEAL	1	1	1	1				
5	3	172458-74150	CHECK VALVE	1	1	1	1				
6	3	172458-74160	SPRING, CHECK VALVE	1	1	1	1				
7	3	172458-74170	CAP, SPRING	1	1	1	1				
8	3	172458-74630	STAY, CHECK VALVE	1	1	1	1				
9	3	24311-000120	O-RING 1A P 12.0	1	1	1	1				
10	3	24315-000110	O-RING 1B P-11.0	1	1	1	1				
11	3	26450-050102	BOLT M 5X 10	2	2	2	2				
12	3	26450-050182	BOLT 5* 18	2	2	2	2				
13	2	172A64-74130	SWING SEC ASSY	1	1	1	1				
14	3	172A64-74140	SPOOL ASSY, TURNING	1	1	1	1				
15	3	172458-74150	CHECK VALVE	1	1	1	1				
16	3	172458-74160	SPRING, CHECK VALVE	1	1	1	1				
17	3	172458-74230	PACKING S 22	2	2	2	2				
18	3	172458-74240	COVER B1, PILOT	1	1	1	1				
19	3	172458-74250	COVER A1, PILOT	1	1	1	1				
20	3	172458-74260	SWP HEX. BOLT 5X20	4	4	4	4				
21	3	172458-74630	STAY, CHECK VALVE	1	1	1	1				
22	3	24315-000110	O-RING 1B P-11.0	1	1	1	1				
23	2	172458-74720	PACKING G 4	2	2	2	2				

Fig.59. 2-WAY VALVE

(A)=VIO17(US) (D)=VIO17(SG)
 (B)=VIO17(AS) (E)=
 (C)=VIO17(NZ) (F)=

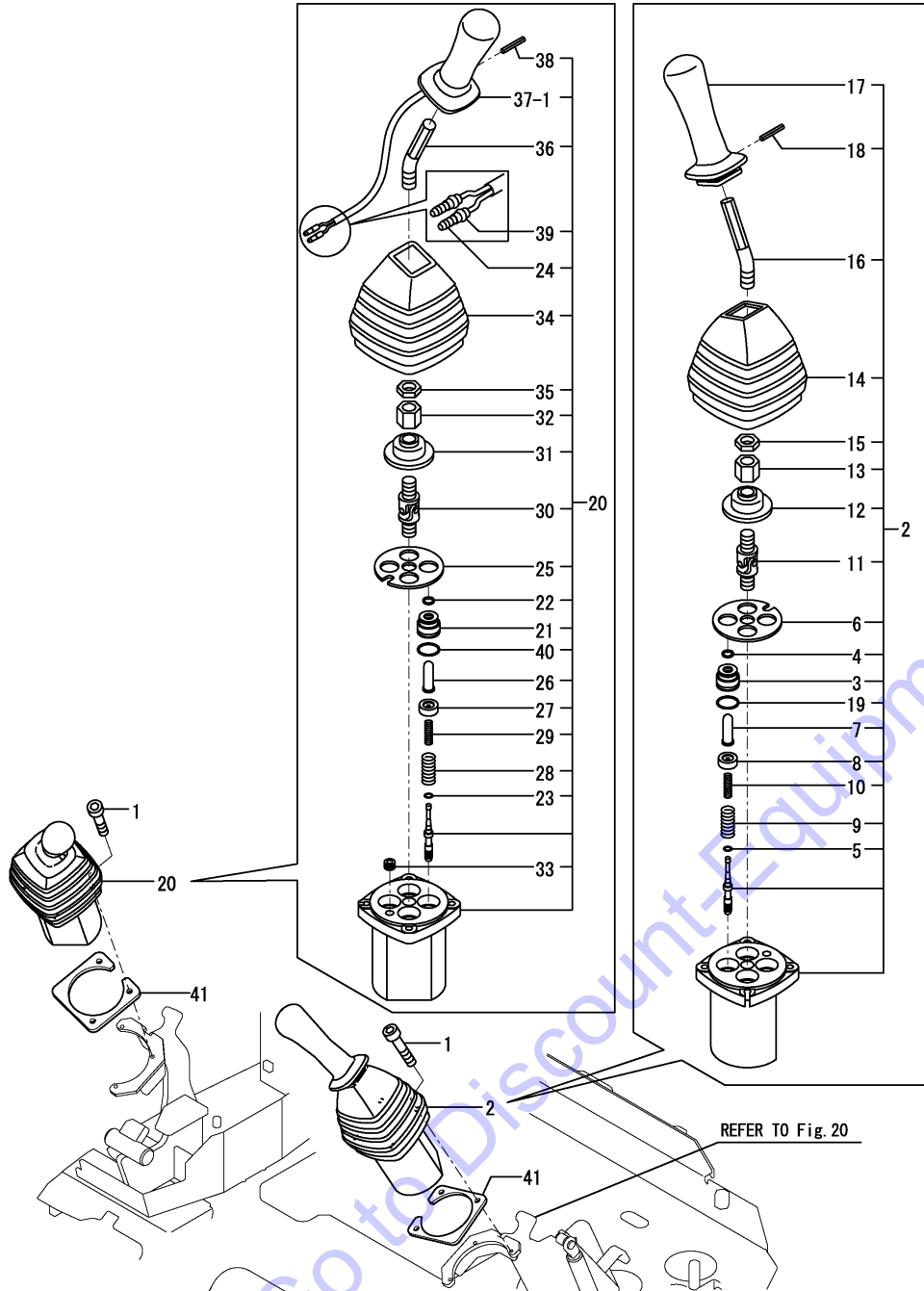


REF.	LEV.	PARTS NO.	DESCRIPTION	Q'TY						I	R
				(A)	(B)	(C)	(D)	(E)	(F)		
1	1	172A36-74690	VALVE ASSY,2WAY	1	1	1					
2	2	172157-58830	KNOB 6.5X18X35	1	1	1					
4	3	172437-74711	SHAFT	1	1	1					
5	3	172437-74720	BLOCK,VALVE	1	1	1					
6	3	172437-74732	STAY ASSY	1	1	1					
7	3	172A36-74750	LEVER	1	1	1					
8	3	172A36-74780	PLATE,LOCK	1	1	1					
9	3	22117-080000	WASHER 8	1	1	1					
10	3	22137-240000	WASHER 24,POLISHED	1	1	1					
11	3	22217-060000	SPRING WASHER 6	4	4	4					
12	3	22417-200160	COTTER PIN 2.0X16	1	1	1					
13	3	22487-080300	PIN 8X 30	1	1	1					
14	3	23871-010000	PLUG PT1/8,SCREW	4	4	4					
15	3	24311-000250	O-RING 1A P-25.0	1	1	1					
16	3	24311-000320	O-RING 1A P-32.0	1	1	1					
17	3	26022-050122	SCREW M 5X 12	3	3	3					
18	3	26450-060162	BOLT M 6X 16	4	4	4					
19	1	26013-100202	BOLT W/WASHER M10X20	3	3	3					

Go to www.go-to-disc.com for your parts

Fig.60. REMOTE CONTROL VALVE

(A)=VIO17(US) (D)=VIO17(SG)
 (B)=VIO17(AS) (E)=
 (C)=VIO17(NZ) (F)=



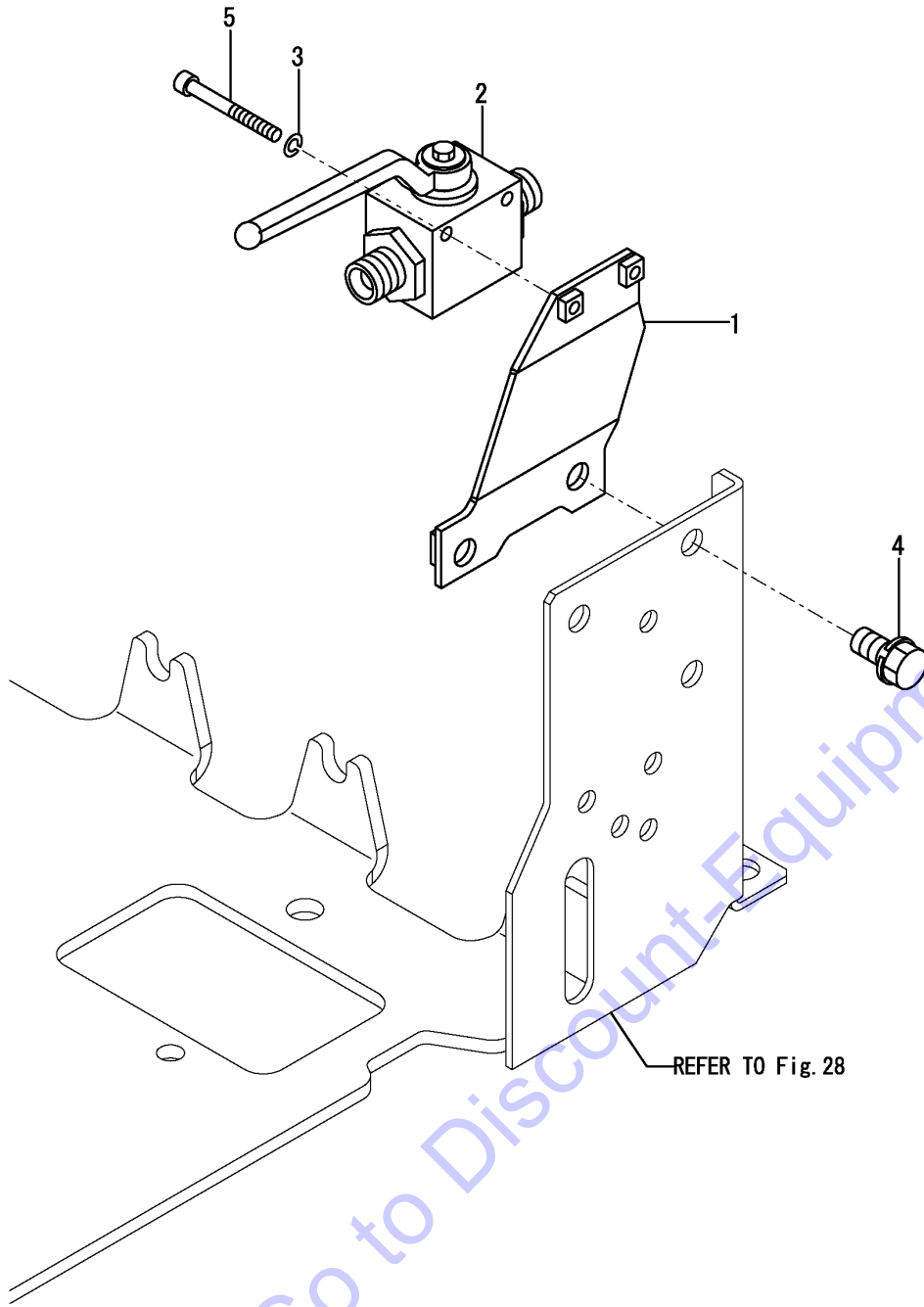
REF.	LEV.	PARTS NO.	DESCRIPTION	Q'TY						I	R
				(A)	(B)	(C)	(D)	(E)	(F)		
1	1	172458-46730	BOLT N6X30	6	6	6	6				
2	1	172A64-74310	REMOTE CONTROL VALVE	1	1	1	1				
3	2	172151-73400	PLUG	4	4	4	4				
4	2	172151-73420	SEAL	4	4	4	4				
5	2	172151-73450	WASHER	4	4	4	4				
6	2	172A64-74590	PLATE	1	1	1	1				
7	2	172A64-74600	ROD,PUSH	4	4	4	4				
8	2	172A64-74610	SEAT,SPRING	4	4	4	4				
9	2	172A64-74620	SPRING	4	4	4	4				
10	2	172A64-74630	SPRING	4	4	4	4				
11	2	172A64-74640	JOINT	1	1	1	1				
12	2	172A64-74650	PLATE,CIRCULAR	1	1	1	1				
13	2	172A64-74660	NUT,ADJUSTING	1	1	1	1				
14	2	172A64-74680	BELLOWS	1	1	1	1				
15	2	172A64-74900	NUT,LOCK	1	1	1	1				
16	2	172A64-74910	LEVER	1	1	1	1				
17	2	172A64-74920	KNOB	1	1	1	1				
18	2	172A64-74930	PIN,SPRING	1	1	1	1				
19	2	24315-000200	O-RING 1B P-20.0	4	4	4	4				
20	1	172A64-74320	REMOTE CONTROL VALVE	1	1	1	1				
21	2	172151-73400	PLUG	4	4	4	4				
22	2	172151-73420	SEAL	4	4	4	4				
23	2	172151-73450	WASHER	4	4	4	4				
24	2	172151-73610	TERMINAL	2	2	2	2				
25	2	172A64-74590	PLATE	1	1	1	1				
26	2	172A64-74600	ROD,PUSH	4	4	4	4				
27	2	172A64-74610	SEAT,SPRING	4	4	4	4				
28	2	172A64-74620	SPRING	4	4	4	4				
29	2	172A64-74630	SPRING	4	4	4	4				
30	2	172A64-74640	JOINT	1	1	1	1				
31	2	172A64-74650	PLATE,CIRCULAR	1	1	1	1				
32	2	172A64-74660	NUT,ADJUSTING	1	1	1	1				
33	2	172A64-74670	BUSH	1	1	1	1				
34	2	172A64-74680	BELLOWS	1	1	1	1				
35	2	172A64-74900	NUT,LOCK	1	1	1	1				
36	2	172A64-74910	LEVER	1	1	1	1				
37-1	2	172A64-74950	KNOB	1	1	1	1				
38	2	172A64-74930	PIN,SPRING	1	1	1	1				
39	2	172A64-74940	SLEEVE,INSULATION	2	2	2	2				
40	2	24315-000200	O-RING 1B P-20.0	4	4	4	4				
41	1	172A78-74650	PLATE CMP(VALVE	2	2	2	2				W

(A)=M/#01400 (B)=M/#01400 (C)=M/#01400 (D)=M/#01400

Fig.61. STOP VALVE

(A)=VIO17(US)
 (B)=VIO17(AS)
 (C)=VIO17(NZ)

(D)=VIO17(SG)
 (E)=
 (F)=



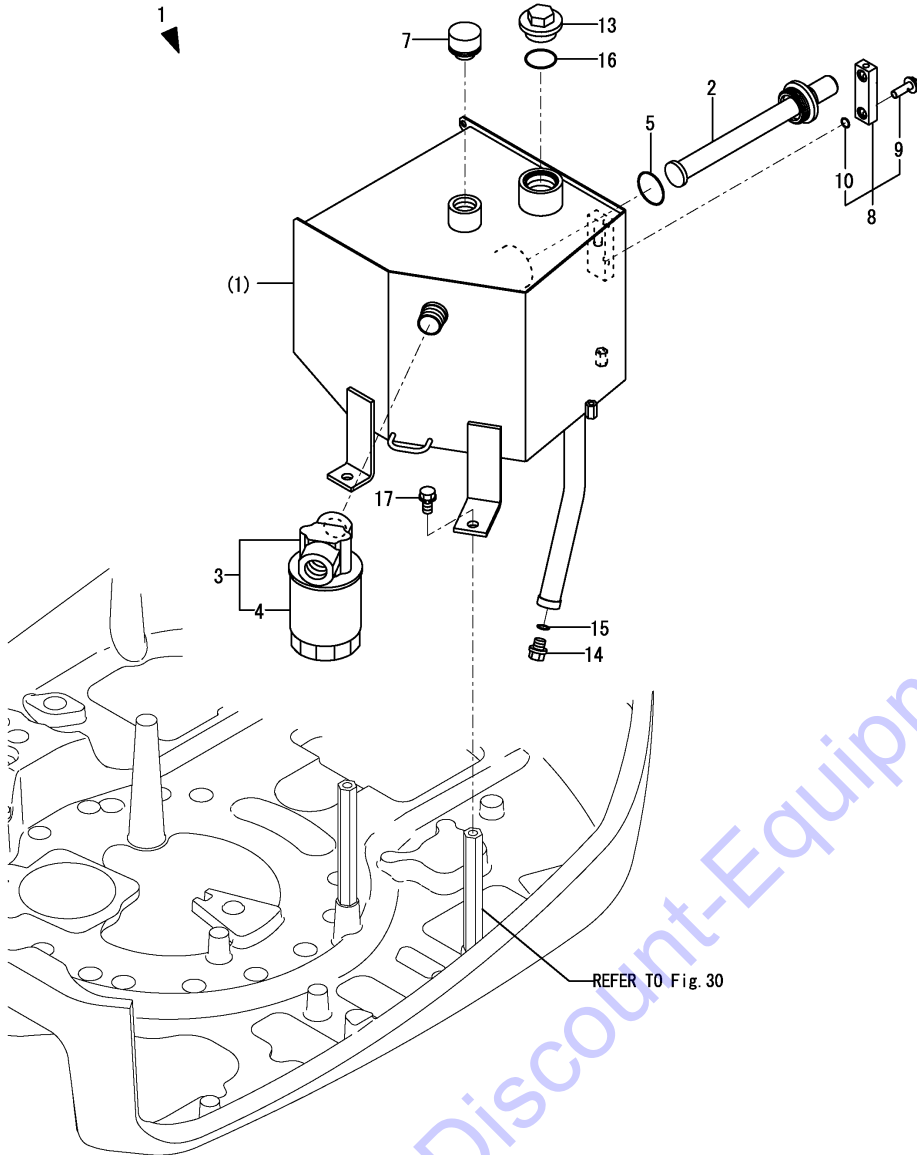
REF.	LEV.	PARTS NO.	DESCRIPTION	Q'TY						I	R
				(A)	(B)	(C)	(D)	(E)	(F)		
1	1	172A64-45600	STAY ASSY,VALVE	1	1	1					
2	1	172A64-74800	STOP VALVE 06 ASSY	1	1	1					
3	1	22217-050000	SPRING WASHER 5	2	2	2					
4	1	26013-100202	BOLT W/WASHER M10X20	2	2	2					
5	1	26450-050452	BOLT M 5X 45	2	2	2					

Fig.62. HYD.OIL TANK

(A)=VIO17(US)
(B)=VIO17(AS)
(C)=VIO17(NZ)

(D)=VIO17(SG)
(E)=
(F)=

1 INC. 2~16.



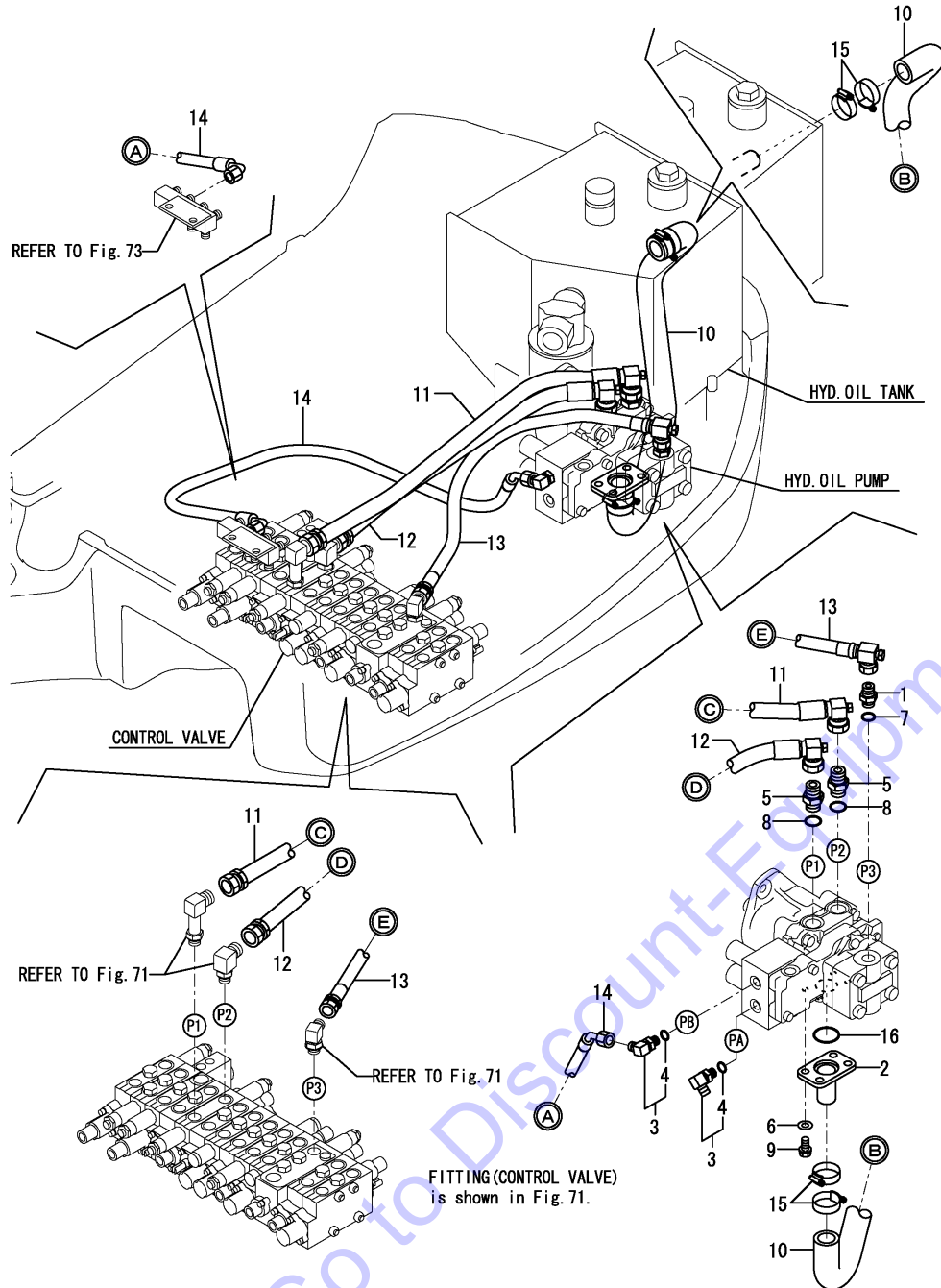
REF.	LEV.	PARTS NO.	DESCRIPTION	Q'TY						I	R
				(A)	(B)	(C)	(D)	(E)	(F)		
1	1	772A64-75100	RESERVOIR TANK ASSY	1	1	1	1				1
2	2	172A64-73700	STRAINER	1	1	1	1				
3	2	172A64-73770	FILTER ASSY, RETURN	1	1	1	1				
4	3	172A64-73780	ELEMENT ASSY, FILTER	1	1	1	1				
5	2	24315-000440	O-RING 1B P-44.0	1	1	1	1				
7	2	172446-75250	CAP	1	1	1	1				
8	2	172447-75600	GAUGE ASSY	1	1	1	1				
9	3	172455-75290	BOLT M10	2	2	2	2				
10	3	172455-75300	O-RING	4	4	4	4				
13	2	172116-75850-B	PLUG (GRAY:49)	1	1	1	1				
14	2	23491-140002	PLUG 14	1	1	1	1				
15	2	24311-000160	O-RING 1A P-16.0	1	1	1	1				
16	2	24311-000380	O-RING 1A P-38.0	1	1	1	1				
17	1	26013-120252	BOLT M12X 25	3	3	3	3				
18A	1	172437-03322	LABEL, HYD.OIL TANK	1	1	1	1				2

Remarks

(1)PLEASE USE THIS PART WITH FOLLOWING LABEL AT THE SAME TIME. REF.NO.18A.
(2)LABELS ARE NOT ILLUSTRATED.

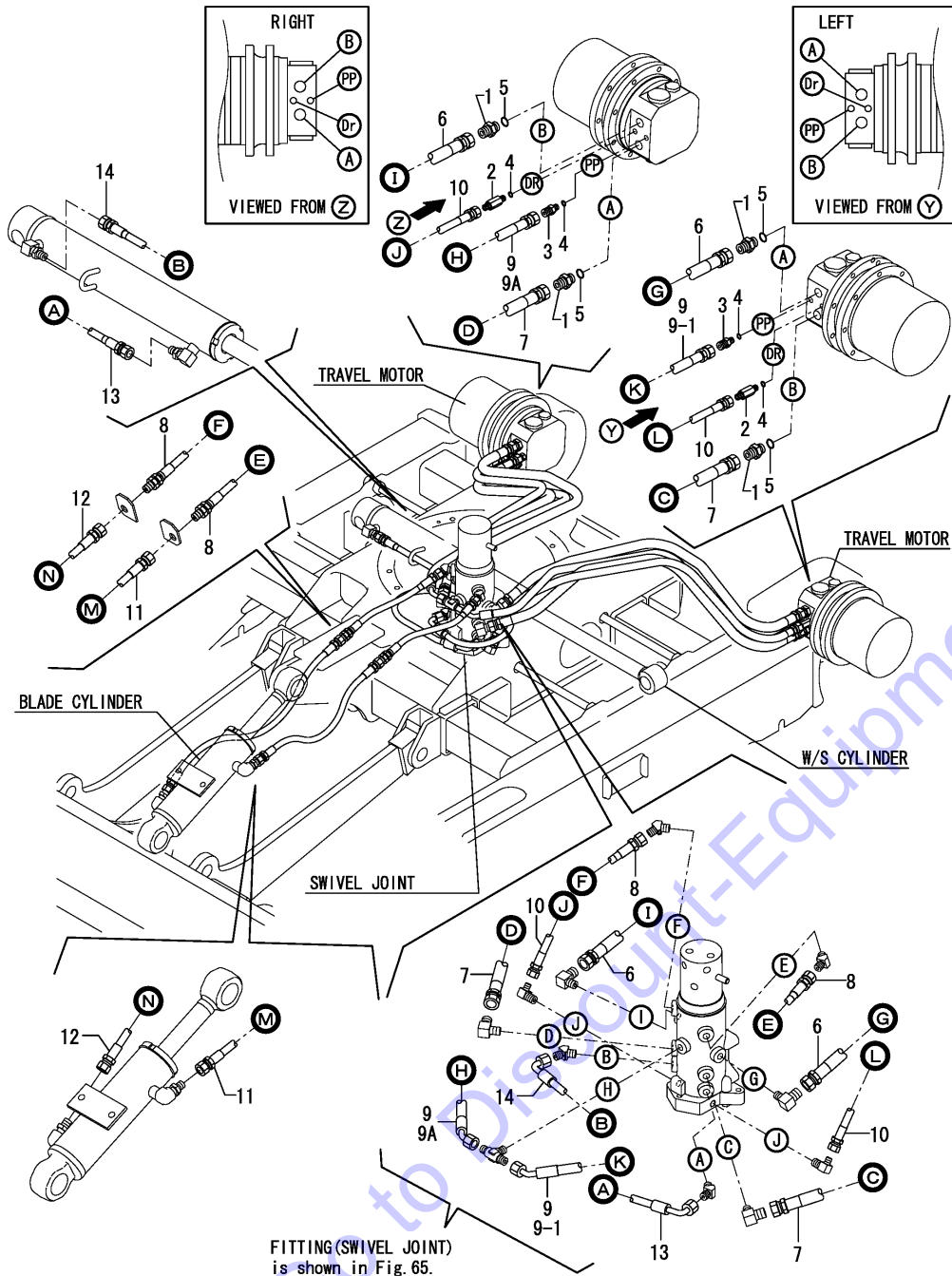
Fig.63. HYD.OIL PIPING(PUMP)

(A)=VIO17(US) (D)=VIO17(SG)
 (B)=VIO17(AS) (E)=
 (C)=VIO17(NZ) (F)=



REF.	LEV.	PARTS NO.	DESCRIPTION	Q'TY						I	R
				(A)	(B)	(C)	(D)	(E)	(F)		
1	1	172730-75141	JOINT	1	1	1	1				
2	1	172124-76100	FLANGE,PUMP INLET	1	1	1	1				
3	1	172141-76180	CONNECTOR	2	2	2	2				
4	2	24315-000110	O-RING 1B P-11.0	2	2	2	2				
5	1	172112-77361	CONNECTOR	2	2	2	2				
6	1	22117-100000	WASHER 10	4	4	4	4				
7	1	24315-000140	O-RING 1B P-14.0	1	1	1	1				
8	1	24315-000180	O-RING 1B P-18.0	2	2	2	2				
9	1	26013-100252	BOLT W/WASHER M10X25	4	4	4	4				
10	1	172A64-78101	HOSE, SUCTION	1	1	1	1				
11	1	172A64-78120	HOSE	1	1	1	1				
12	1	172A64-78130	HOSE	1	1	1	1				
13	1	172A64-78140	HOSE	1	1	1	1				
14	1	172A64-78620	HOSE	1	1	1	1				
15	1	23001-041000	CLIP 41,HOSE	4	4	4	4				
16	1	24321-000350	O-RING 1A G-35.0	1	1	1	1				
16-1	1	24311-000350	O-RING 1A P-35.0	1	1	1	1				N
(A=M/#XXXXX) (B=M/#XXXXX) (C=M/#XXXXX) (D=M/#XXXXX)											

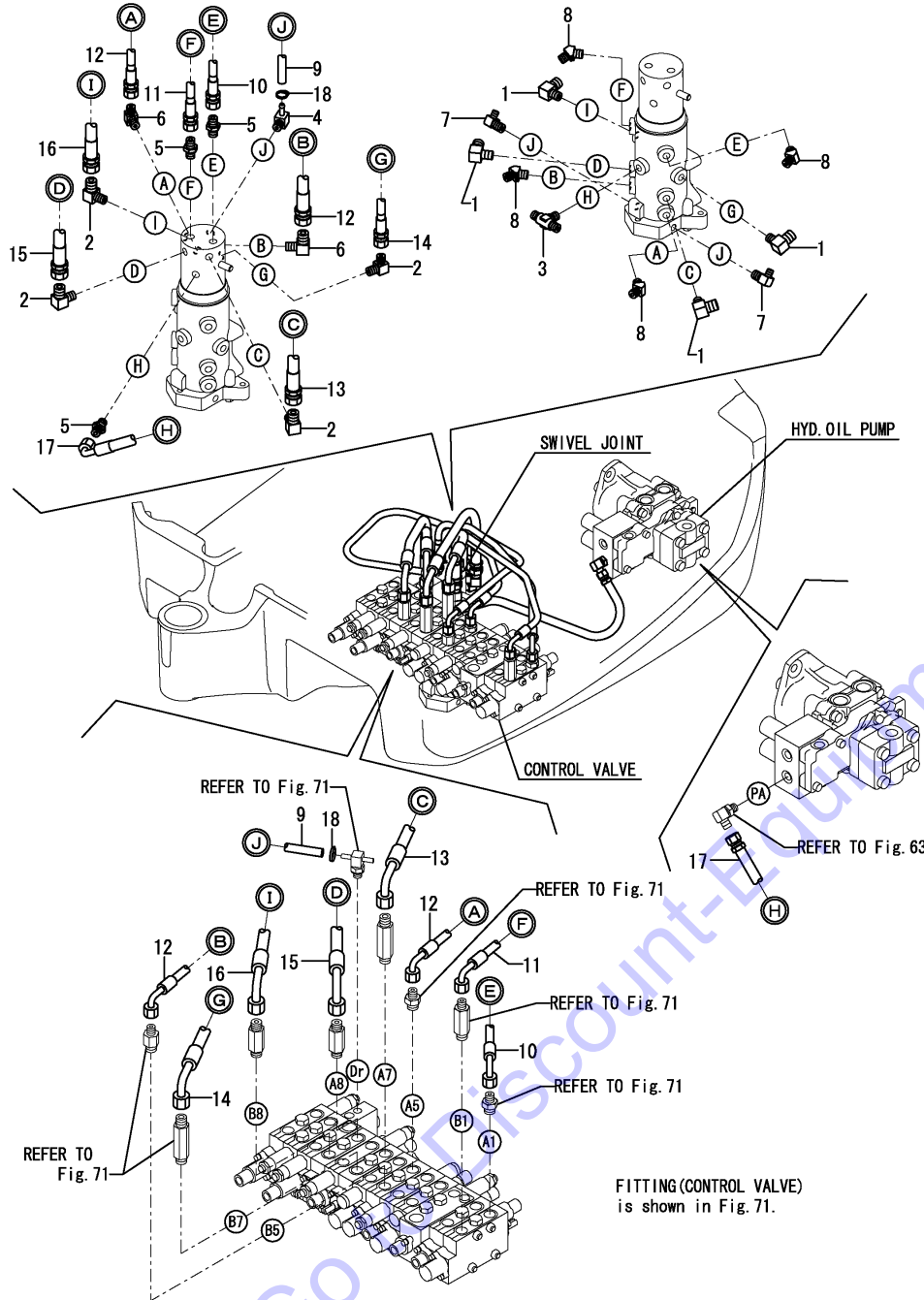
Fig.64. HYD.OIL PIPING(LOWER)



(A)=VIO17(US) (D)=VIO17(SG)
 (B)=VIO17(AS) (E)=
 (C)=VIO17(NZ) (F)=

REF.	LEV.	PARTS NO.	DESCRIPTION	Q'TY						I	R
				(A)	(B)	(C)	(D)	(E)	(F)		
1	1	172730-75141	JOINT	4	4	4	4				
2	1	172A64-76101	JOINT G1/8-G1/8	2	2	2	2				
3	1	172447-76210	JOINT G1/8-G1/4	2	2	2	2				
4	1	24315-000080	O-RING 1B P-8.0	4	4	4	4				
5	1	24315-000140	O-RING 1B P-14.0	4	4	4	4				
6	1	172A64-78441	HOSE	2	2	2	2				
7	1	172A64-78451	HOSE	2	2	2	2				
8	1	172A64-78470	HOSE	2	2	2	2				
9	1	172A64-78481	HOSE	2	2	2	2				
9-1	1	172A64-78482	HOSE	1	1	1	1				S
		(A=M/# 01435) (B=M/# 01435) (C=M/# 01435) (D=M/# 01435)									
9A	1	172A64-78460	HOSE	1	1	1	1				W
		(A=M/# 01435) (B=M/# 01435) (C=M/# 01435) (D=M/# 01435)									
10	1	172A64-78492	HOSE	2	2	2	2				
11	1	172A64-78501	HOSE	1	1	1	1				
12	1	172A64-78511	HOSE	1	1	1	1				
13	1	172A64-78520	HOSE	1	1	1	1				
14	1	172A64-78530	HOSE	1	1	1	1				

Fig.65. HYD.OIL PIPING(SWIVEL JOINT)



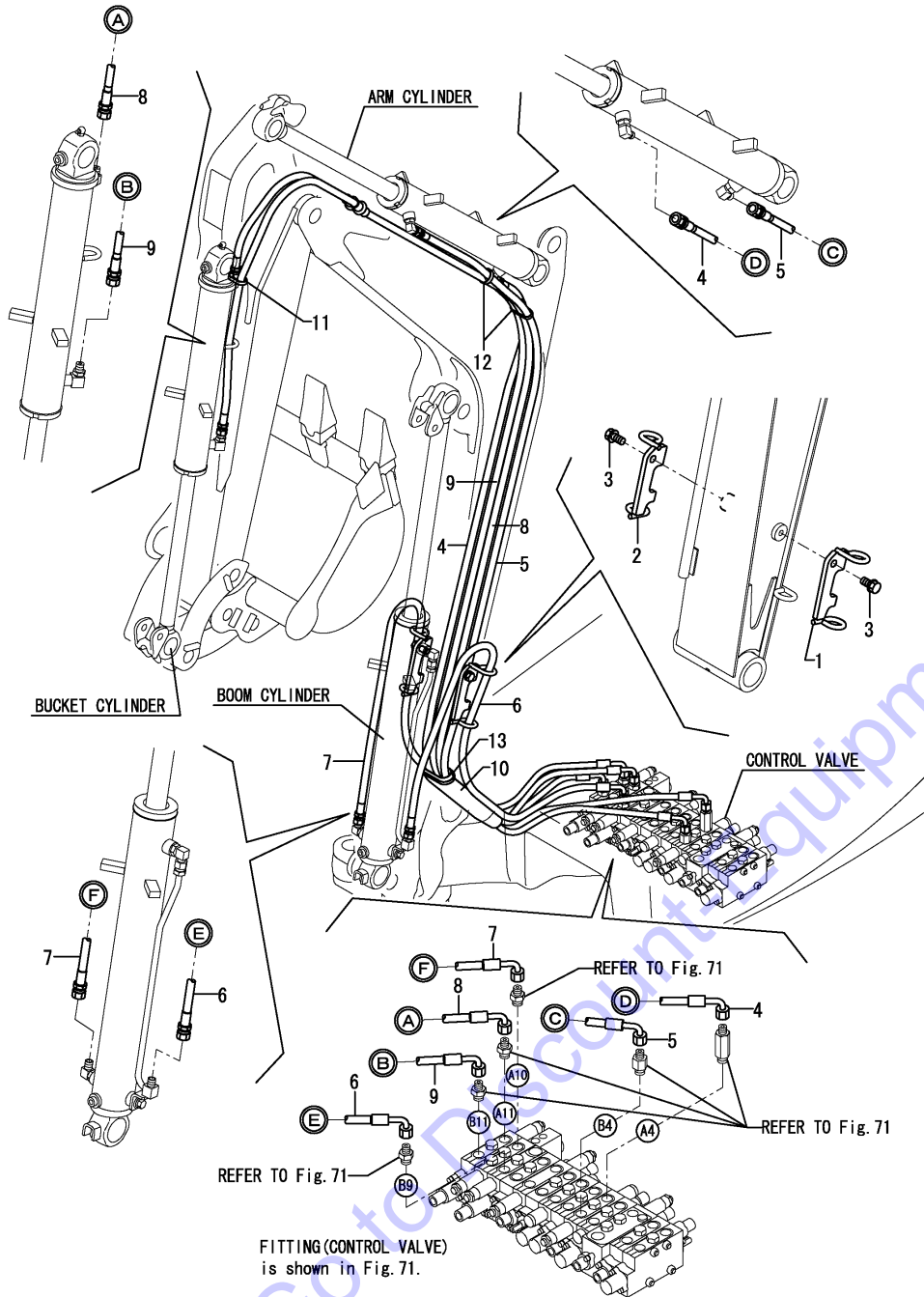
(A)=VIO17(US)
 (B)=VIO17(AS)
 (C)=VIO17(NZ)
 (D)=VIO17(SG)
 (E)=
 (F)=

REF.	LEV.	PARTS NO.	DESCRIPTION	QTY						I	R
				(A)	(B)	(C)	(D)	(E)	(F)		
1	1	172147-76180	ELBOW 90 1/4X3/8	4	4	4	4				
2	1	172147-76180	ELBOW 90 1/4X3/8	4	4	4	4				
3	1	172162-76320	CONNECTOR 3-1/4	1	1	1	1				
4	1	172186-76390	NIPPLE	1	1	1	1				
5	1	23391-020000	JOINT RG11/4	3	3	3	3				
6	1	23393-020000	JOINT 90RG11/4	2	2	2	2				
7	1	23393-020000	JOINT 90RG11/4	2	2	2	2				
8	1	23394-020000	JOINT 45RG11/4	4	4	4	4				
9	1	172A64-78211	HOSE	1	1	1	1				
9-1	1	172A64-78212	HOSE G804YY055	1	1	1	1				N
		(A=M/# 00865) (B=M/# 00865) (C=M/# 00865) (D=M/# 00865)									
10	1	172A64-78250	HOSE	1	1	1	1				
11	1	172A64-78260	HOSE	1	1	1	1				
11-1	1	172A64-78261	HOSE	1	1	1	1				S
		(A=M/# 01435) (B=M/# 01435) (C=M/# 01435) (D=M/# 01435)									
12	1	172A64-78310	HOSE	2	2	2	2				
13	1	172A64-78350	HOSE	1	1	1	1				
14	1	172A64-78360	HOSE	1	1	1	1				
15	1	172A64-78371	HOSE	1	1	1	1				
16	1	172A64-78380	HOSE	1	1	1	1				
17	1	172A64-78610	HOSE	1	1	1	1				
17-1	1	172A64-78611	HOSE H504CE052	1	1	1	1				N
		(A=EXXX) (B=EXXX) (C=EXXX) (D=EXXX)									
17-2	1	172A64-78612	HOSE	1	1	1	1				S
		(A=M/# 01435) (B=M/# 01435) (C=M/# 01435) (D=M/# 01435)									
18	1	23000-013000	CLAMP 13	2	2	2	2				

Fig.66. HYD.OIL PIPING(IMP)

(A)=VIO17(US)
(B)=VIO17(AS)
(C)=VIO17(NZ)

(D)=VIO17(SG)
(E)=
(F)=

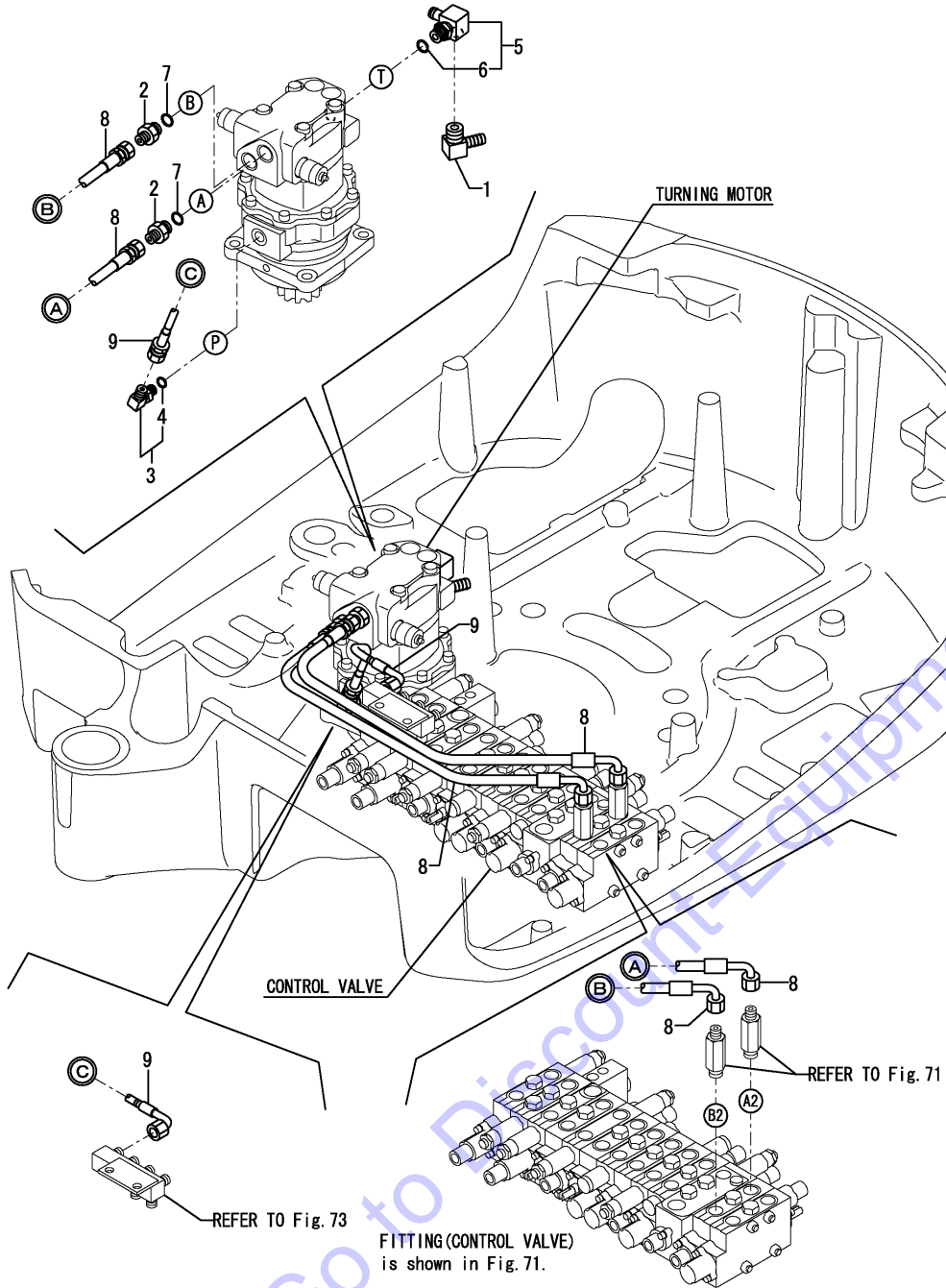


REF.	LEV.	PARTS NO.	DESCRIPTION	Q'TY						I	R
				(A)	(B)	(C)	(D)	(E)	(F)		
1	1	172A64-76200	GUIDE L,HOSE ASSY	1	1	1	1				
2	1	172A64-76240	GUIDE R,HOSE ASSY	1	1	1	1				
3	1	26013-120302	BOLT W/WASHER M12X30	2	2	2	2				
4	1	172A64-78291	HOSE	1	1	1	1				
5	1	172A64-78301	HOSE	1	1	1	1				
6	1	172A64-78391	HOSE	1	1	1	1				
7	1	172A64-78401	HOSE	1	1	1	1				
8	1	172A64-78411	HOSE	1	1	1	1				
9	1	172A64-78421	HOSE	1	1	1	1				
10	1	172A64-78910	COVER, HOSE	1	1	1	1				
11	1	172122-79920	CLAMP	1	1	1	1				
12	1	194202-56460	BAND	2	2	2	2				
13	1	172126-11510	BAND 300	1	1	1	1				

Fig.67. HYD.OIL PIPING(TURNING MOTOR)

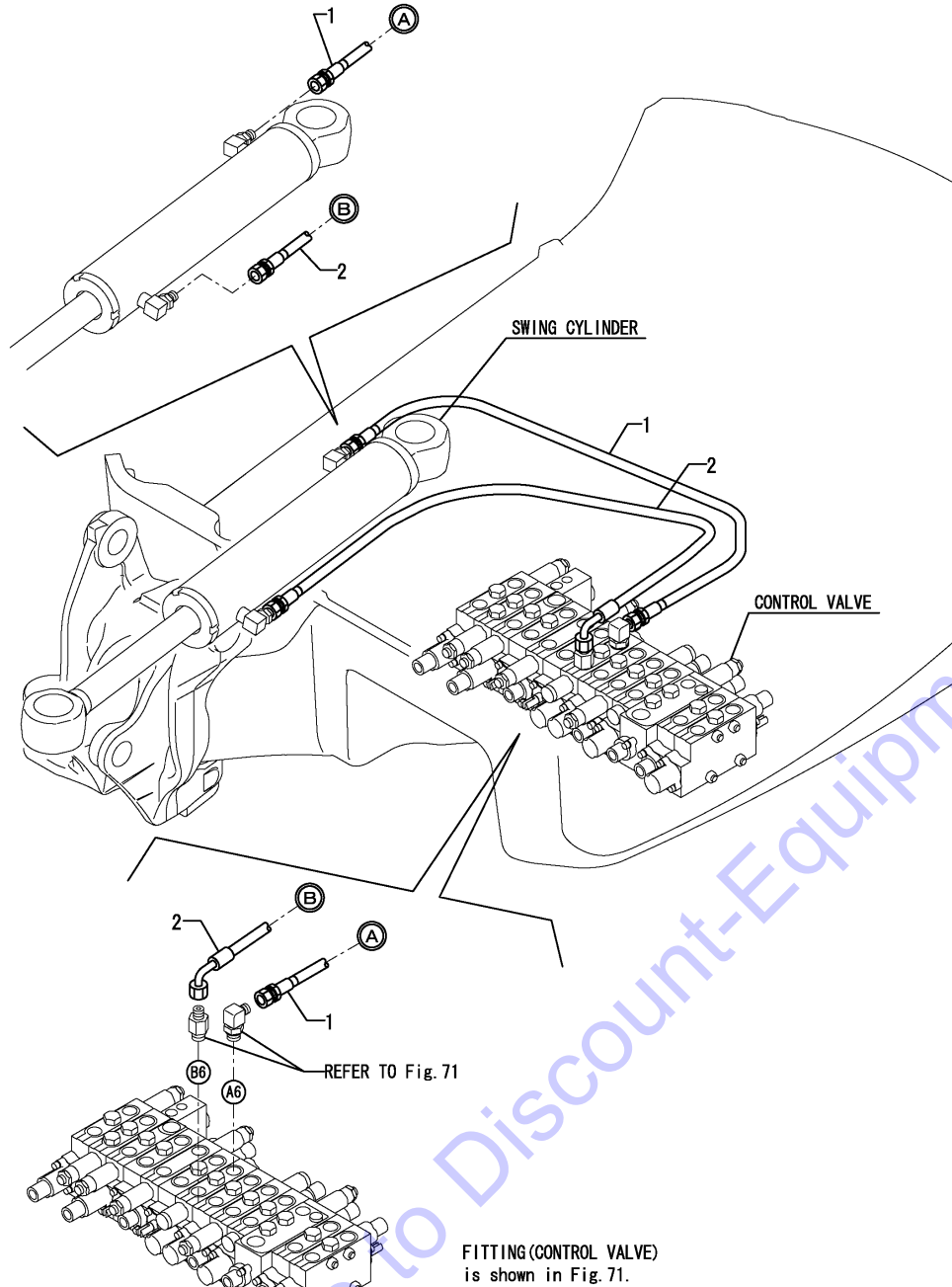
(A)=VIO17(US)
(B)=VIO17(AS)
(C)=VIO17(NZ)

(D)=VIO17(SG)
(E)=
(F)=



REF.	LEV.	PARTS NO.	DESCRIPTION	Q'TY						I	R
				(A)	(B)	(C)	(D)	(E)	(F)		
1	1	172131-76130	ELBOW,NIPPLE	1	1	1	1				
2	1	172124-76160	CONNECTOR	2	2	2	2				
3	1	172141-76180	CONNECTOR	1	1	1	1				
4	2	24315-000110	O-RING 1B P-11.0	1	1	1	1				
5	1	172487-76200	ELBOW	1	1	1	1				
6	2	24315-000140	O-RING 1B P-14.0	1	1	1	1				
7	1	24315-000140	O-RING 1B P-14.0	2	2	2	2				
8	1	172A64-78270	HOSE	2	2	2	2				
9	1	172A64-78651	HOSE	1	1	1	1				

Fig.68. HYD.OIL PIPING(SWING CYLINDER)



OCS10-G49500 68. HYD.OIL PIPING(SWING CYLINDER)

(A)=VIO17(US)
(B)=VIO17(AS)
(C)=VIO17(NZ)

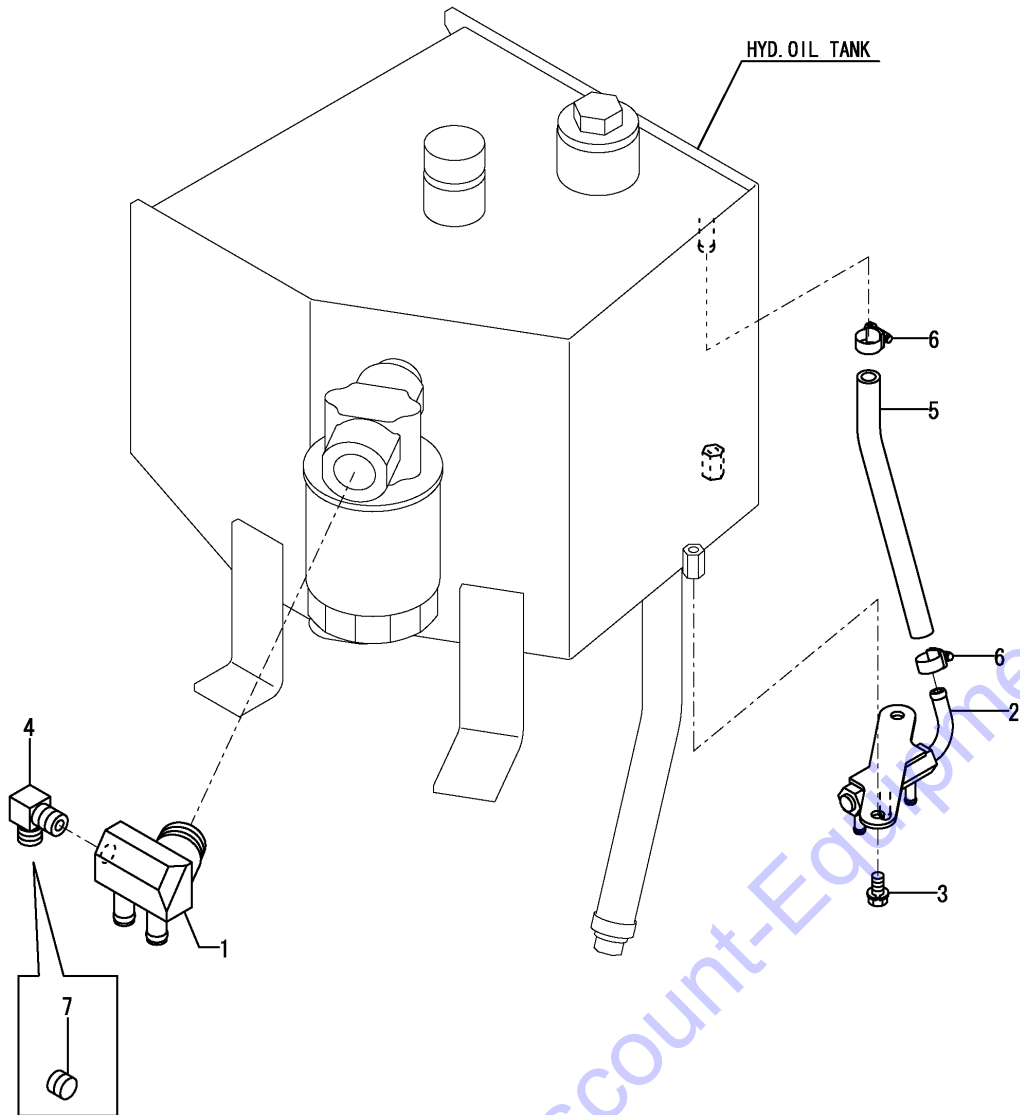
(D)=VIO17(SG)
(E)=
(F)=

REF.	LEV.	PARTS NO.	DESCRIPTION	Q'TY						I	R
				(A)	(B)	(C)	(D)	(E)	(F)		
1	1	172A64-78330	HOSE	1	1	1	1				
2	1	172A64-78340	HOSE	1	1	1	1				

Fig.69. HYD.OIL PIPING(RESERVOIR)

(A)=VIO17(US)
(B)=VIO17(AS)
(C)=VIO17(NZ)

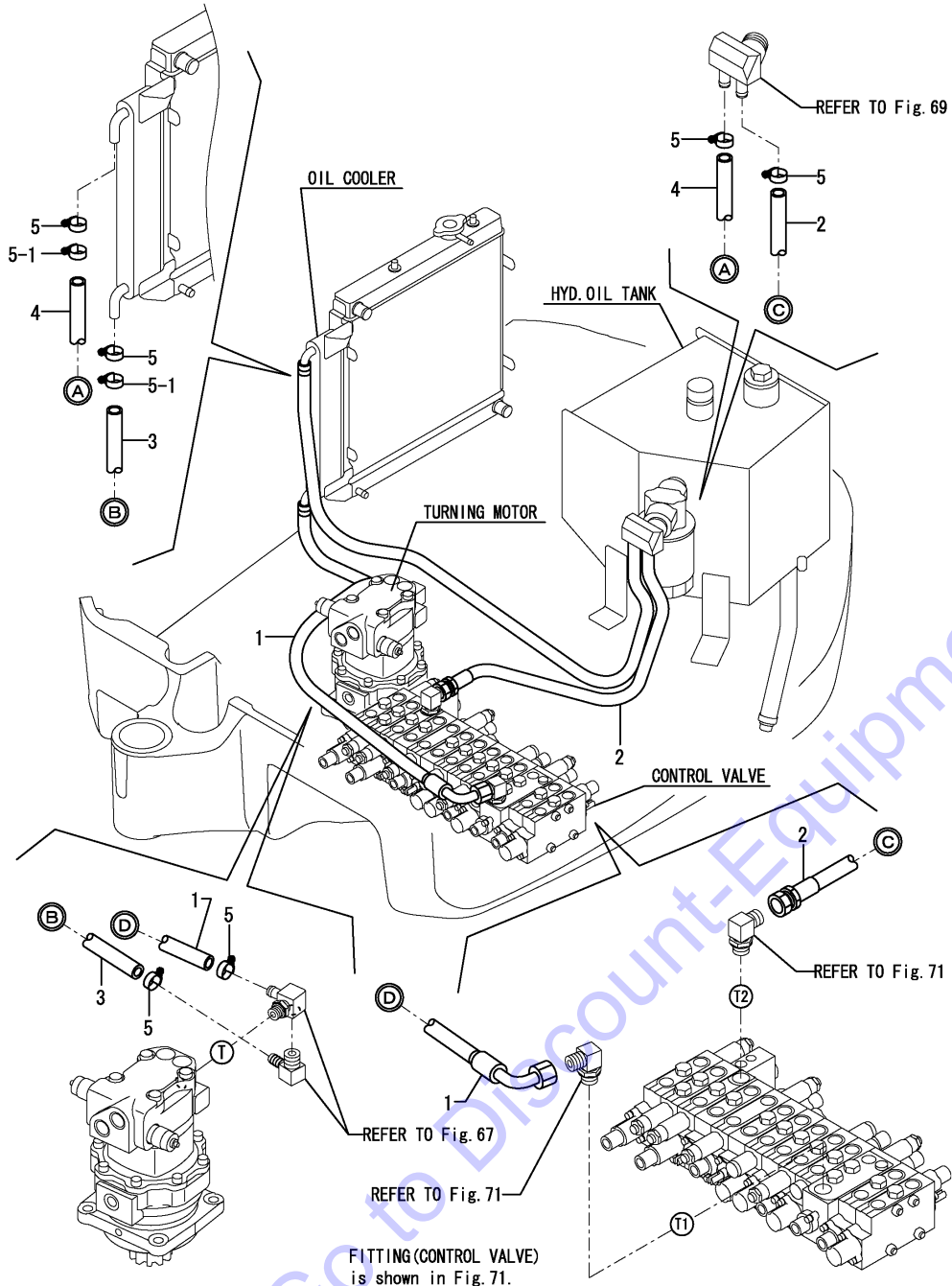
(D)=VIO17(SG)
(E)=
(F)=



REF.	LEV.	PARTS NO.	DESCRIPTION	Q'TY						I	R
				(A)	(B)	(C)	(D)	(E)	(F)		
1	1	172A64-76120	JOINT, DRAIN	1	1	1	1				
2	1	172A64-76140	BLOCK, DRAIN	1	1	1	1				
3	1	26013-080202	BOLT W/WASHER M8X20	2	2	2	2				
4	1	23393-030000	JOINT 90RGI 3/8	1	1	1					
5	1	172A64-78231	HOSE	1	1	1	1				
6	1	23001-016000	HOSE CLAMP 16	2	2	2	2				
I	7	1	23871-030000	PLUG, R03							1

Go to Discount-Equipment.com to order your parts

Fig.70. HYD.OIL PIPING(RETURN)



OCS10-G49500 70. HYD.OIL PIPING(RETURN)

(A)=VIO17(US) (D)=VIO17(SG)
 (B)=VIO17(AS) (E)=
 (C)=VIO17(NZ) (F)=

REF.	LEV.	PARTS NO.	DESCRIPTION	Q'TY						I	R
				(A)	(B)	(C)	(D)	(E)	(F)		
1	1	172A64-78161	HOSE	1	1	1	1				
2	1	172A64-78170	HOSE	1	1	1	1				
3	1	172A64-78191	HOSE	1	1	1	1				
4	1	172A64-78200	HOSE	1	1	1	1				
5	1	23001-016000	HOSE CLAMP 16	6	6	6	6				
5-1	1	23001-016000	HOSE CLAMP 16	8	8	8	8				K
(A=M/#XXXXX) (B=M/#XXXXX) (C=M/#XXXXX) (D=M/#XXXXX)											

Fig.71. HYD.OIL PIPING(CONTROL VALVE)

(A)=VIO17(US)

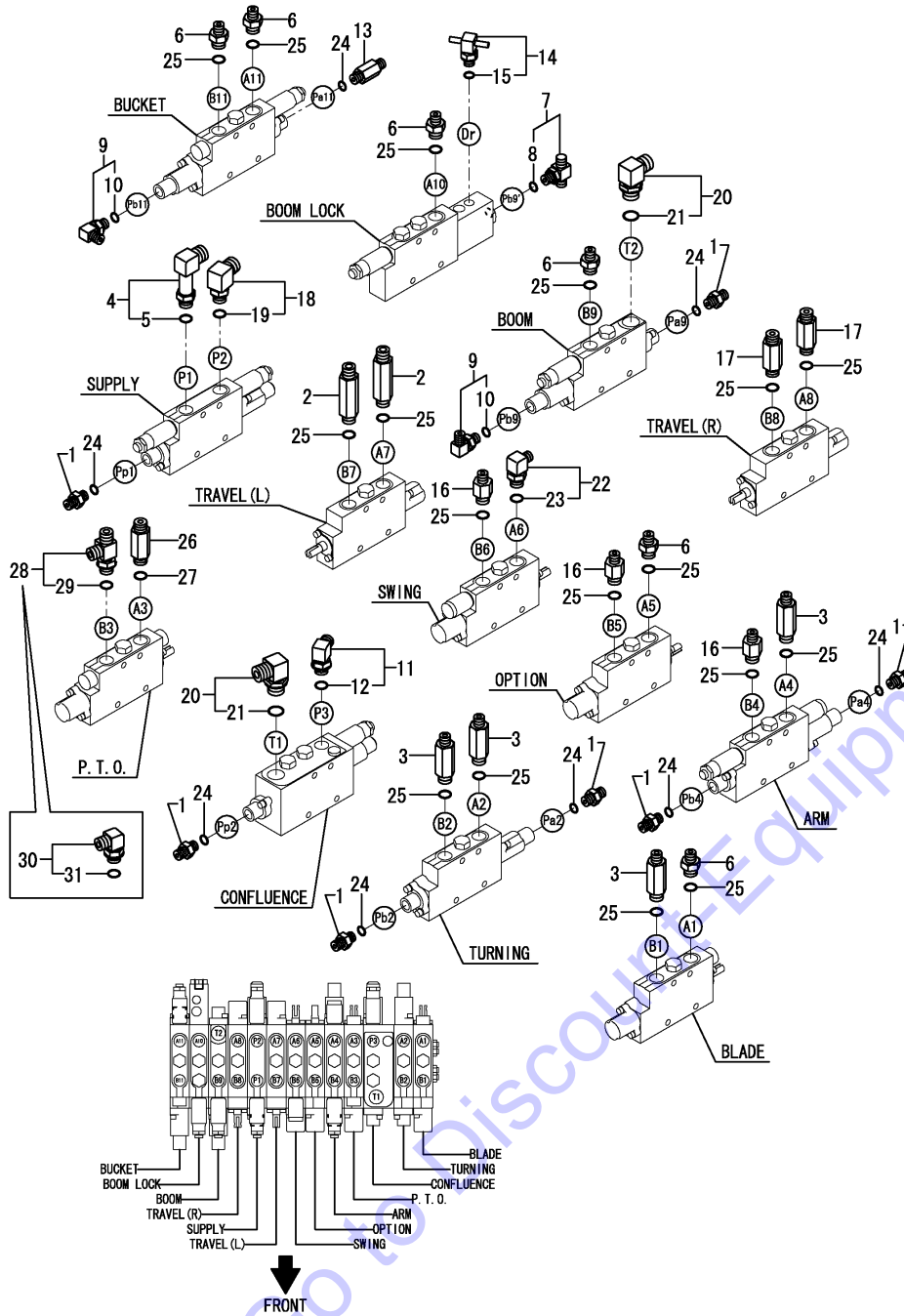
(B)=VIO17(AS)

(C)=VIO17(NZ)

(D)=VIO17(SG)

(E)=

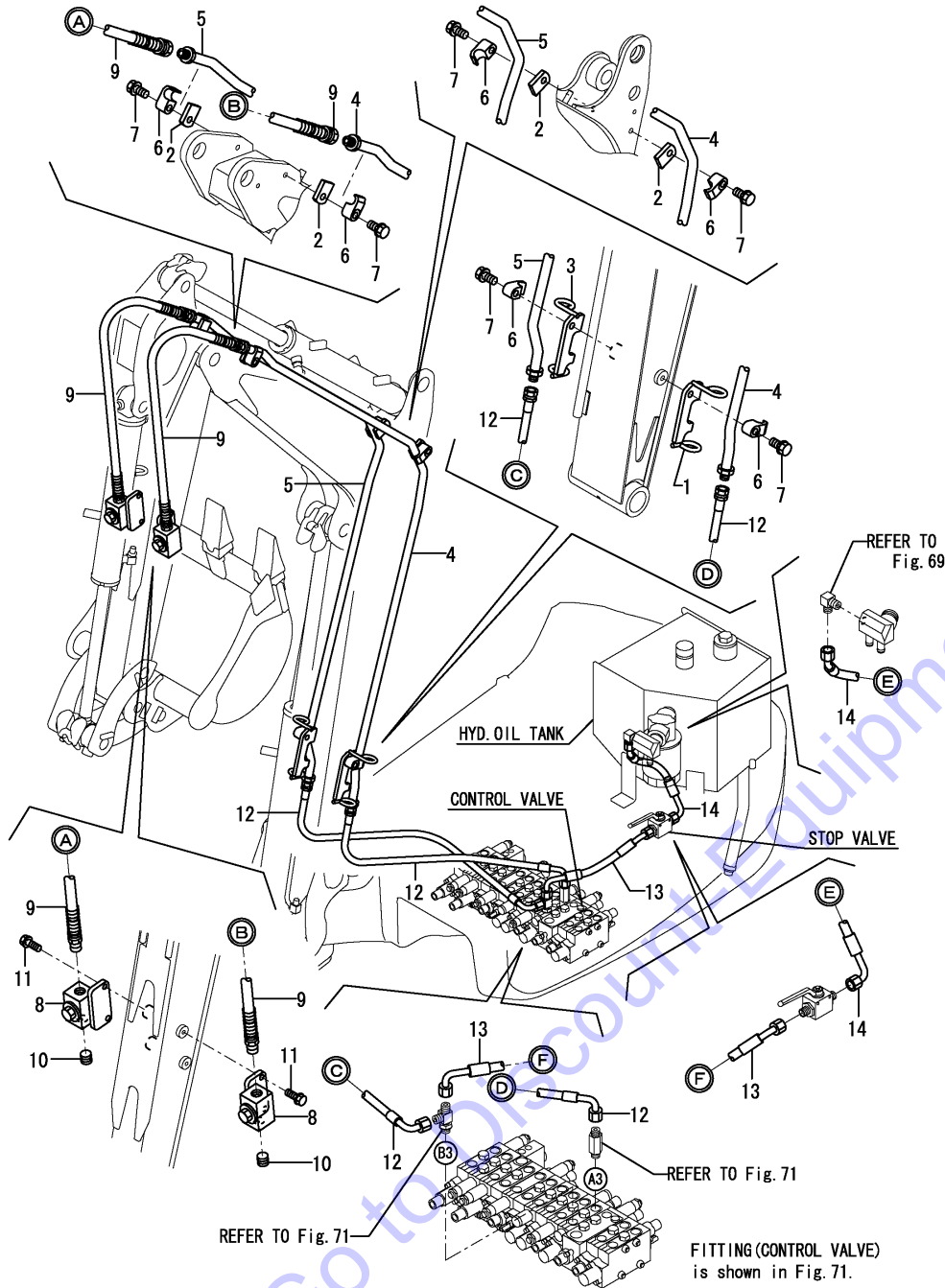
(F)=



REF.	LEV.	PARTS NO.	DESCRIPTION	Q'TY						I	R
				(A)	(B)	(C)	(D)	(E)	(F)		
1	1	172123-76121	JOINT PF1/4	7	7	7	7				
2	1	172162-76131	ADAPTER	2	2	2	2				
3	1	172422-76130	CONNECTOR	4	4	4	4				
4	1	172A64-76160	ELBOW 1/2X3/8 ASSY	1	1	1	1				
5	2	24315-000140	O-RING 1B P-14.0	1	1	1	1				
6	1	172124-76160	CONNECTOR	6	6	6	6				
7	1	172187-76170	THEETH	1	1	1	1				
8	2	24315-000110	O-RING 1B P-11.0	1	1	1	1				
9	1	172141-76180	CONNECTOR	2	2	2	2				
10	2	24315-000110	O-RING 1B P-11.0	2	2	2	2				
11	1	172142-76181	JOINT 90-3/8 ASSY	1	1	1	1				
12	2	24315-000140	O-RING 1B P-14.0	1	1	1	1				
13	1	172183-76200	CONNECTOR 1/4-1/4	1	1	1	1				
14	1	172A47-76230	NIPPLE G1/4	1	1	1	1				
15	2	24315-000110	O-RING 1B P-11.0	1	1	1	1				
16	1	172147-76260	CONNECTOR	3	3	3	3				
17	1	172116-76381	ADAPTER 64	2	2	2	2				
18	1	172645-76570	CONNECTOR 3/8X1/2	1	1	1	1				
19	2	24315-000140	O-RING 1B P-14.0	1	1	1	1				
20	1	172141-76900	CONNECTOR 1/2L	2	2	2	2				
21	2	24315-000180	O-RING 1B P-18.0	2	2	2	2				
22	1	172141-76920	CONNECTOR 3/8-1/4L	1	1	1	1				
23	2	24315-000140	O-RING 1B P-14.0	1	1	1	1				
24	1	24315-000110	O-RING 1B P-11.0	8	8	8	8				
25	1	24315-000140	O-RING 1B P-14.0	17	17	17	17				
26	1	172116-76381	ADAPTER 64	1	1	1	1				
27	1	24315-000140	O-RING 1B P-14.0	1	1	1	1				
28	1	172480-76120	ADJUSTABLE TEE 3/8	1	1	1	1				
29	2	24315-000140	O-RING 1B P-14.0	1	1	1	1				
I 30	1	172142-76181	JOINT, 90-3/8								1
I 31	2	24315-000140	O-RING 1B P-14.0								1

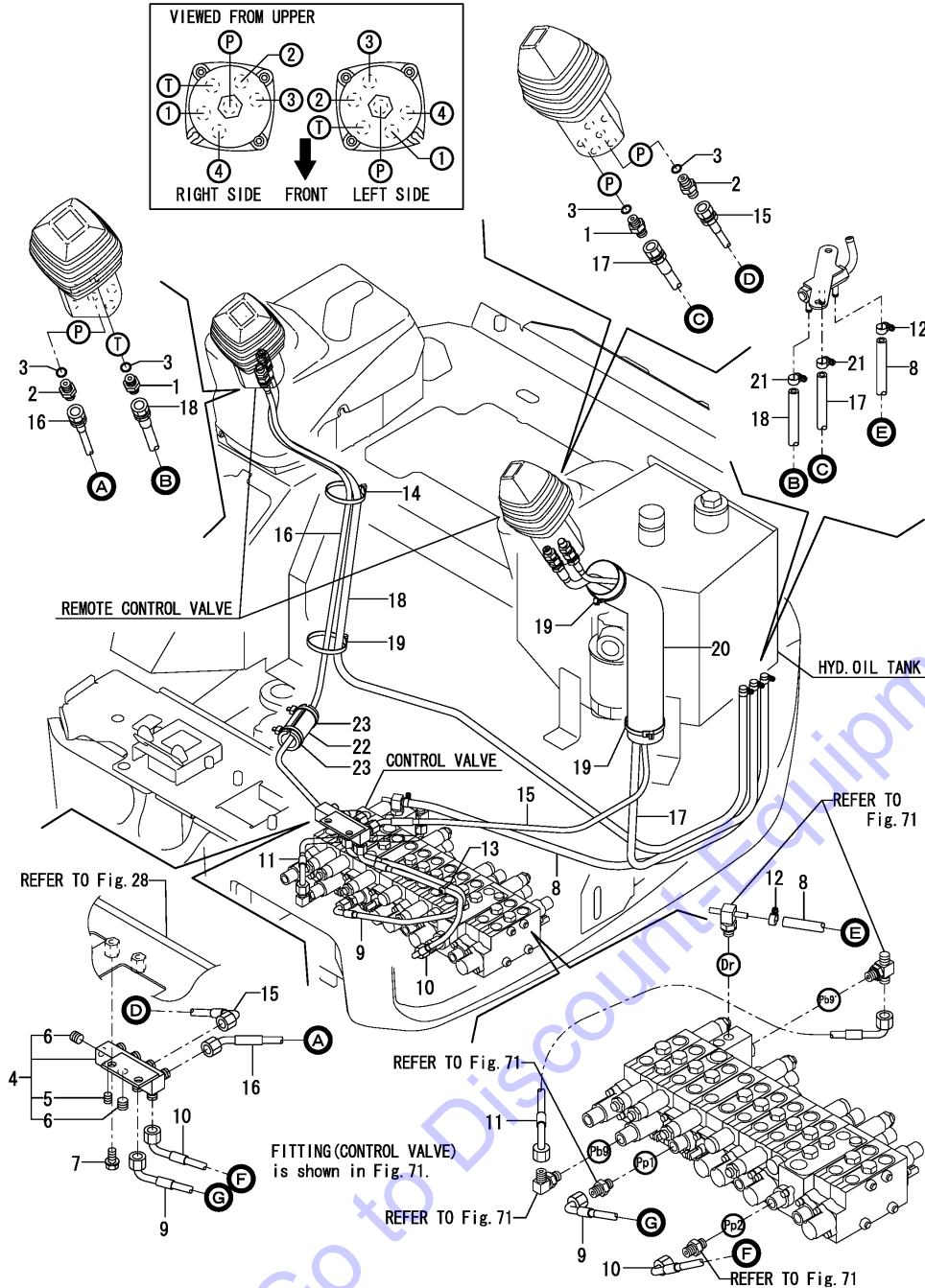
Fig.72. HYD.OIL PIPING(P.T.O.)

(A)=VIO17(US)
 (B)=VIO17(AS)
 (C)=VIO17(NZ)
 (D)=VIO17(SG)
 (E)=
 (F)=



REF.	LEV.	PARTS NO.	DESCRIPTION	Q'TY						I	R
				(A)	(B)	(C)	(D)	(E)	(F)		
1	1	172A64-76250	GUIDE PL,HOSE ASSY	1	1	1	1				
2	1	172183-76250-2	PLATE (YELLOW:2J)	4	4	4	4				
2-1	1	172183-76250-Y	PLATE	4	4	4	4				S
3	1	172A64-76260	GUIDE PR,HOSE ASSY	1	1	1	1				
4	1	172A64-76600-1	TUBE ASSY, PTO	1	1	1	1				
4-1	1	172A64-76600-Y	TUBE ASSY, PTO	1	1	1	1				S
5	1	172A64-76630-1	TUBE ASSY, PTO	1	1	1	1				
5-1	1	172A64-76630-Y	TUBE ASSY, PTO	1	1	1	1				S
6	1	172142-76950-6	CLAMP	6	6	6	6				
6-1	1	172142-76950-Y	CLAMP	6	6	6	6				S
7	1	26013-120502	BOLT	6	6	6	6				
8	1	172183-74821-3	VALVE, STOP	2	2	2	2				
8-1	1	172183-74822-3	VALVE, STOP (2J)	2	2	2	2				N
8-2	1	172183-74821-Y	VALVE, STOP	2	2	2	2				S
9	1	172A64-78590	HOSE	2	2	2	2				
10	1	23871-040000	PLUG	2	2	2	2				
11	1	26013-100252	BOLT	4	4	4	4				
12	1	172A64-78551	HOSE	2	2	2	2				
13	1	172A64-78570	HOSE	1	1	1					
14	1	172A64-78580	HOSE	1	1	1					

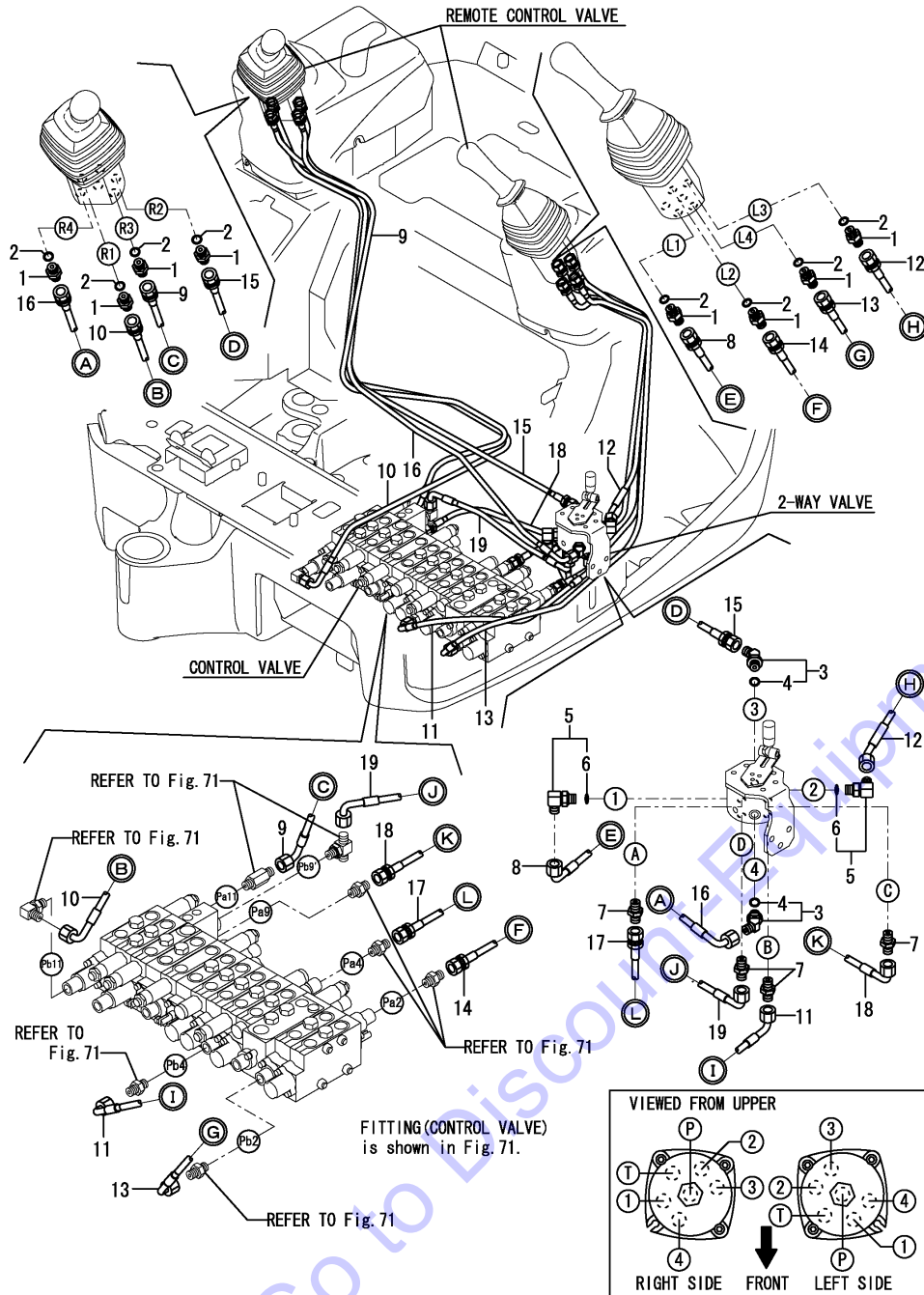
Fig.73. CONTROL PIPING(1)



(A)=VIO17(US) (D)=VIO17(SG)
 (B)=VIO17(AS) (E)=
 (C)=VIO17(NZ) (F)=

REF.	LEV.	PARTS NO.	DESCRIPTION	Q'TY						I	R
				(A)	(B)	(C)	(D)	(E)	(F)		
1	1	172123-76121	JOINT PF1/4	2	2	2	2				
2	1	172455-76220	CONNECTOR PF1/4	2	2	2	2				
3	1	24315-000110	O-RING 1B P-11.0	4	4	4	4				
4	1	172A47-76310	PILOT BLOCK	1	1	1	1				
5	2	23871-010000	PLUG PT1/8,SCREW	1	1	1	1				
6	2	23871-020000	PLUG PT1/4,SCREW	2	2	2	2				
7	1	26013-100162	BOLT M10X 16	2	2	2	2				
8	1	172A64-78221	HOSE	1	1	1	1				
9	1	172A64-78630	HOSE	1	1	1	1				
10	1	172A64-78640	HOSE	1	1	1	1				
11	1	172A64-78700	HOSE	1	1	1	1				
12	1	23000-013000	CLAMP 13	2	2	2	2				
13	1	172614-16520	BAND 100	1	1	1	1				
14	1	194202-56460	BAND	1	1	1	1				
15	1	172A64-78671	HOSE	1	1	1	1				
16	1	172A64-78681	HOSE	1	1	1	1				
17	1	172A64-78721	HOSE	1	1	1	1				
18	1	172A64-78730	HOSE	1	1	1	1				
19	1	172122-79930	CLAMP B	3	3	3	3				
20	1	172137-79950	COVER	1	1	1	1				
21	1	23000-013000	CLAMP 13	2	2	2	2				
22	1	172A46-78500	HOSE	1	1	1	1				W
		(A=M/# 00865) (B=M/# 00865) (C=M/# 00865) (D=M/# 00865)									
23	1	933168-55770	BAND 146	2	2	2	2				W
		(A=M/# 00865) (B=M/# 00865) (C=M/# 00865) (D=M/# 00865)									

Fig.74. CONTROL PIPING(2 : 2-WAY SPEC.)

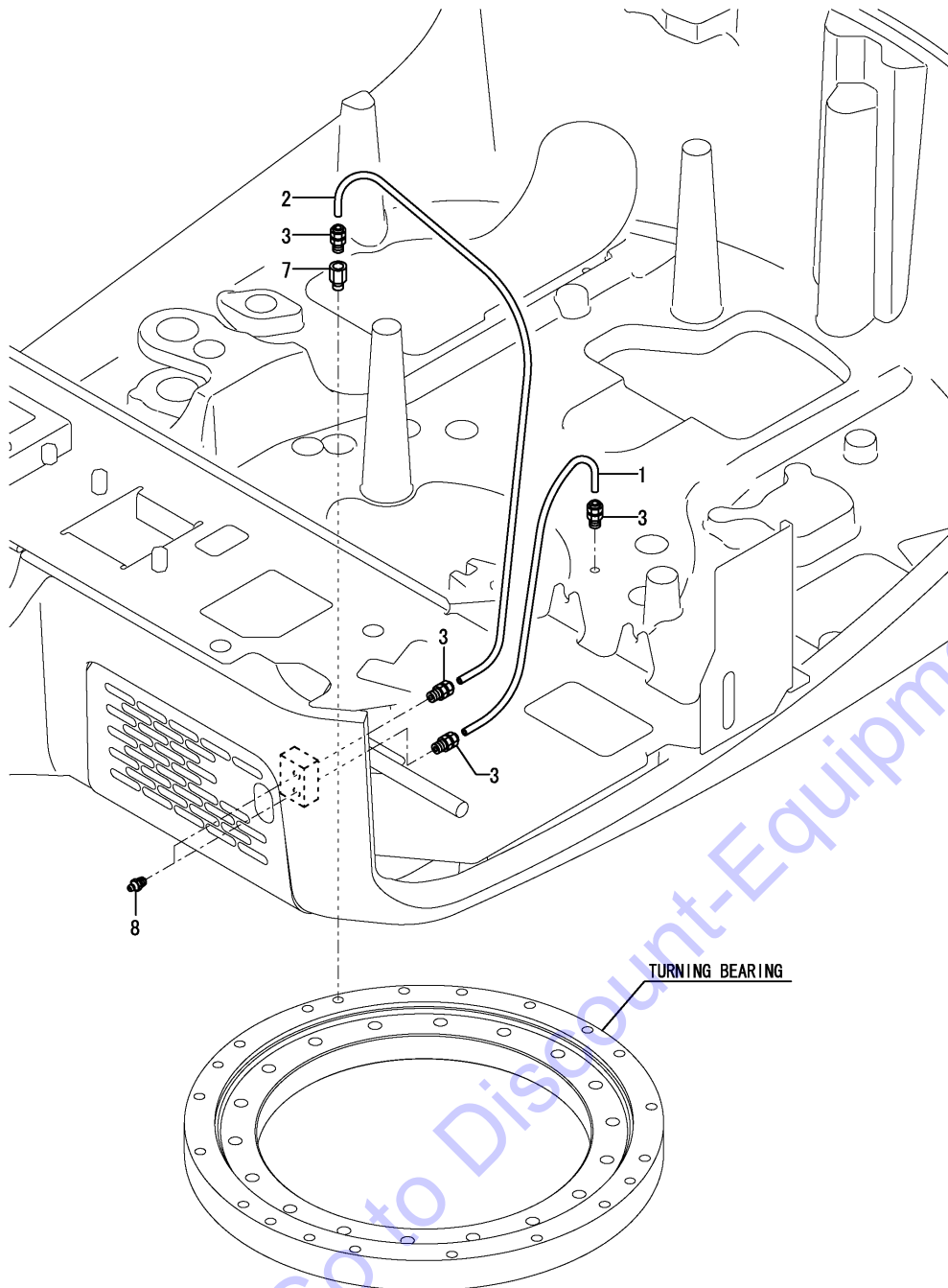


(A)=VIO17(US)
(B)=VIO17(AS)
(C)=VIO17(NZ)

(D)=VIO17(SG)
(E)=
(F)=

REF.	LEV.	PARTS NO.	DESCRIPTION	Q'TY						I	R
				(A)	(B)	(C)	(D)	(E)	(F)		
1	1	172123-76121	JOINT PF1/4	8	8	8					
2	1	24315-000110	O-RING 1B P-11.0	8	8	8					
3	1	172173-76101	CONNECTOR PF1/4-45	2	2	2					
4	2	24315-000110	O-RING 1B P-11.0	2	2	2					
5	1	172141-76180	CONNECTOR	2	2	2					
6	2	24315-000110	O-RING 1B P-11.0	2	2	2					
7	1	23391-020000	JOINT RGI1/4	4	4	4					
8	1	172A64-78761	HOSE	1	1	1					
9	1	172A64-78810	HOSE	1	1	1					
10	1	172A64-78821	HOSE	1	1	1					
11	1	172A64-78830	HOSE	1	1	1					
12	1	172A64-79111	HOSE	1	1	1					
13	1	172A64-79130	HOSE	1	1	1					
14	1	172A64-79140	HOSE	1	1	1					
15	1	172A64-79150	HOSE	1	1	1					
16	1	172A64-79160	HOSE	1	1	1					
17	1	172A64-79180	HOSE	1	1	1					
18	1	172A64-79191	HOSE	1	1	1					
19	1	172A64-79200	HOSE	1	1	1					

Fig.75. GREASING



(A)=VIO17(US)
 (B)=VIO17(AS)
 (C)=VIO17(NZ)
 (D)=VIO17(SG)
 (E)=
 (F)=

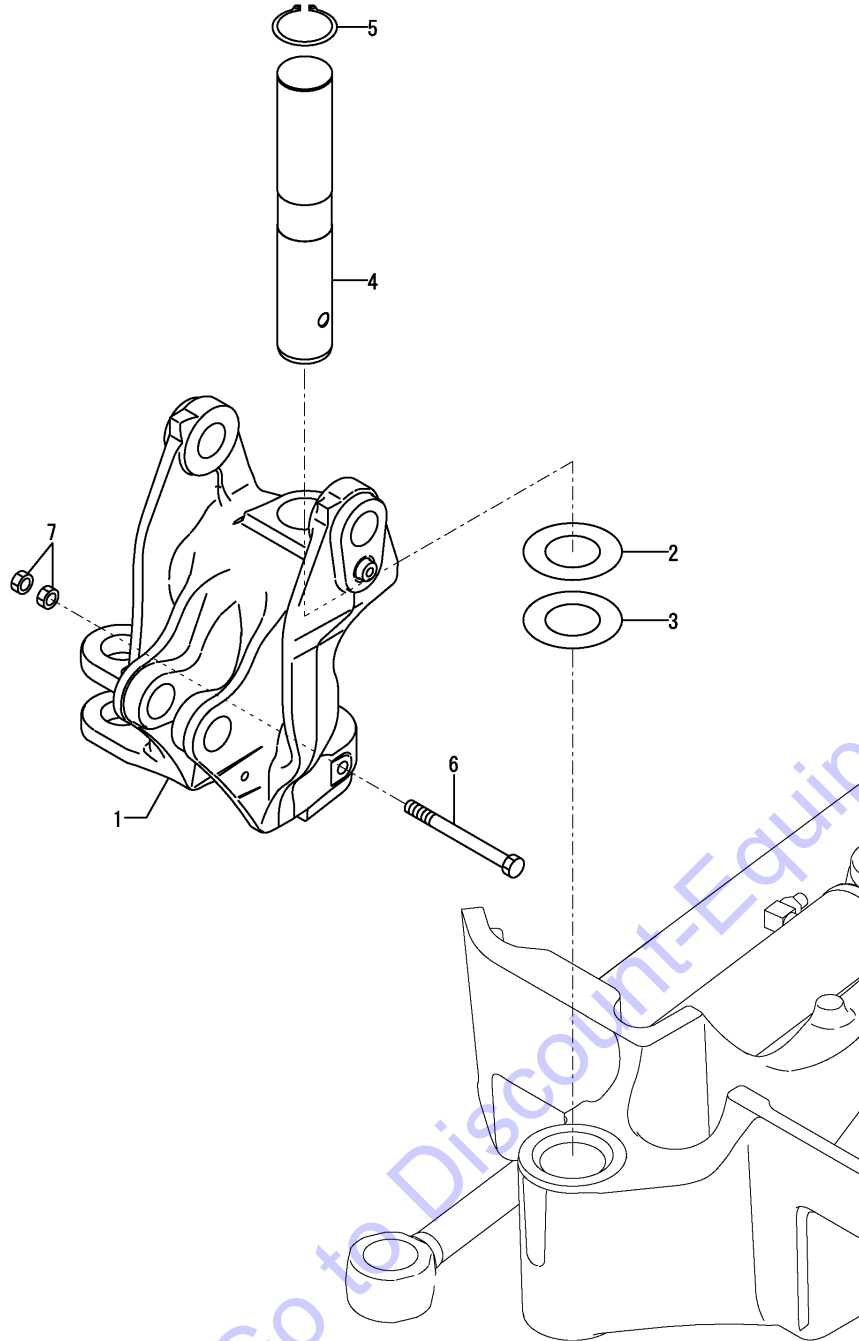
REF.	LEV.	PARTS NO.	DESCRIPTION	Q'TY						I	R
				(A)	(B)	(C)	(D)	(E)	(F)		
1	1	172A47-77800	HOSE	1	1	1	1				
2	1	172A64-77800	HOSE	1	1	1	1				
3	1	172A47-77820	JOINT,GREASE	4	4	4	4				
7	1	172312-77820	FITTING, GREASE	1	1	1	1				
8	1	24761-020000	NIPPLE PT1/8,GREASE	2	2	2	2				

Goto Discount-Equipment.com to order your parts

Fig.76. BOOM BRACKET

(A)=VIO17(US)
 (B)=VIO17(AS)
 (C)=VIO17(NZ)

(D)=VIO17(SG)
 (E)=
 (F)=

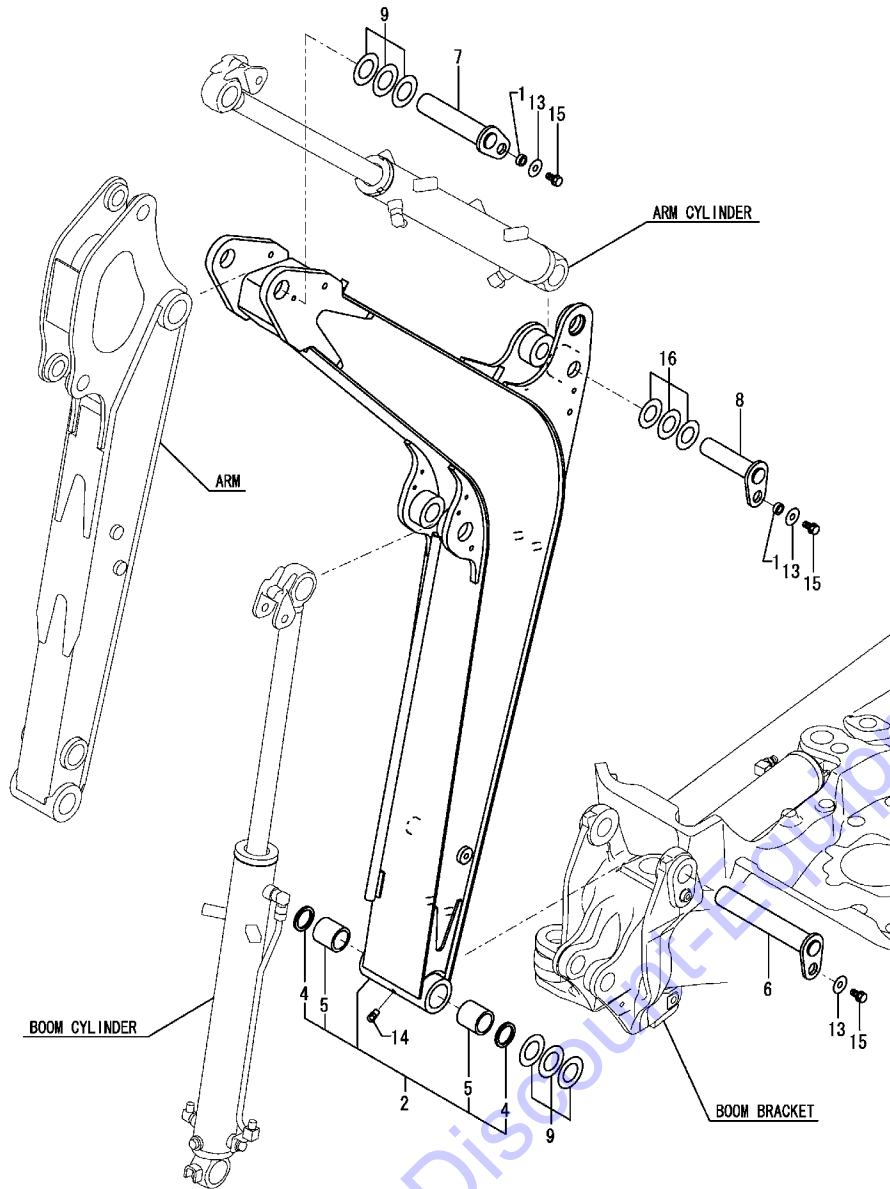


REF.	LEV.	PARTS NO.	DESCRIPTION	Q'TY						I	R
				(A)	(B)	(C)	(D)	(E)	(F)		
1	1	172448-82302-1	BRACKET,BOOM (2J)	1	1	1	1				
1-1	1	172448-82302-Y	BRACKET,BOOM	1	1	1	1				S
		(A=M07001)	(B=M07001)	(C=M07001)	(D=M07001)						
2	1	172165-82520	SHIM	1	1	1	1				
3	1	172165-82530	SHIM	1	1	1	1				
4	1	172A64-82641	PIN, 50X312 CMP	1	1	1	1				
5	1	22242-000500	RING	1	1	1	1				
6	1	26116-121302	BOLT	1	1	1	1				
7	1	26756-120002	NUT	2	2	2	2				

Fig.77. BOOM

(A)=VIO17(US)
(B)=VIO17(AS)
(C)=VIO17(NZ)

(D)=VIO17(SG)
(E)=
(F)=



REF.	LEV.	PARTS NO.	DESCRIPTION	Q'TY						I	R
				(A)	(B)	(C)	(D)	(E)	(F)		
1	1	172010-01640	SPACER	2	2	2	2				
2	1	172A64-81100-1	BOOM ASSY(YELLOW:2J)	1	1	1	1				1
2-1	1	172A64-81100-Y	BOOM ASSY	1	1	1	1				S 1
4	2	172448-81610	SEAL 35X45X4,DUST	2	2	2	2				
5	2	172141-82270	BUSH 35 45	2	2	2	2				
6	1	172A64-82601	PIN ASSY, 35X237	1	1	1	1				
7	1	172A64-82730	PIN ASSY,35X155	1	1	1	1				
8	1	172A64-82790	PIN ASSY, 30X121	1	1	1	1				
9	1	172141-84601	SHIM	2	2	2	2				
13	1	22157-100000	WASHER	3	3	3	3				
14	1	24761-050000	NIPPLE, GREASE	1	1	1	1				
15	1	26013-100252	BOLT	3	3	3	3				
16	1	933160-06711	SHIM 30, PIN ADJUST	1	1	1	1				
20A	1	172437-03461	LABEL, BOOM	2	2	2	2				2

Remarks

- (1)PLEASE USE THIS PART WITH FOLLOWING LABEL AT THE SAME TIME. REF.NO.20A.
- (2)LABELS ARE NOT ILLUSTRATED.

Fig.78. ARM

(A)=VIO17(US)
(B)=VIO17(AS)
(C)=VIO17(NZ)

(D)=VIO17(SG)
(E)=
(F)=

REF.	LEV.	PARTS NO.	DESCRIPTION	Q'TY						I	R
				(A)	(B)	(C)	(D)	(E)	(F)		
1	1	172010-01640	SPACER	2	2	2	2				
2	1	172A64-81500-1	ARM,950 (YELLOW:2J)	1	1	1	1				
2-1	1	172A64-81500-Y	ARM,950	1	1	1	1				S
		(A=M07001)	(B=M07001)	(C=M07001)	(D=M07001)						
3	2	172137-81300	BUSH 30X45, PIN	4	4	4	4				
5	2	172448-81600	SEAL 30X40X4,DUST	4	4	4	4				
6	2	172448-81610	SEAL 35X45X4,DUST	2	2	2	2				
7	2	172141-82270	BUSH 35 45	2	2	2	2				
8	1	172A64-82820	PIN ASSY,30X87	2	2	2	2				
9	1	22157-100000	WASHER	2	2	2	2				
10	1	24761-040000	NIPPLE, GREASE	1	1	1	1				
11	1	26013-100252	BOLT	2	2	2	2				
12	1	933160-06711	SHIM 30, PIN ADJUST	2	2	2	2				

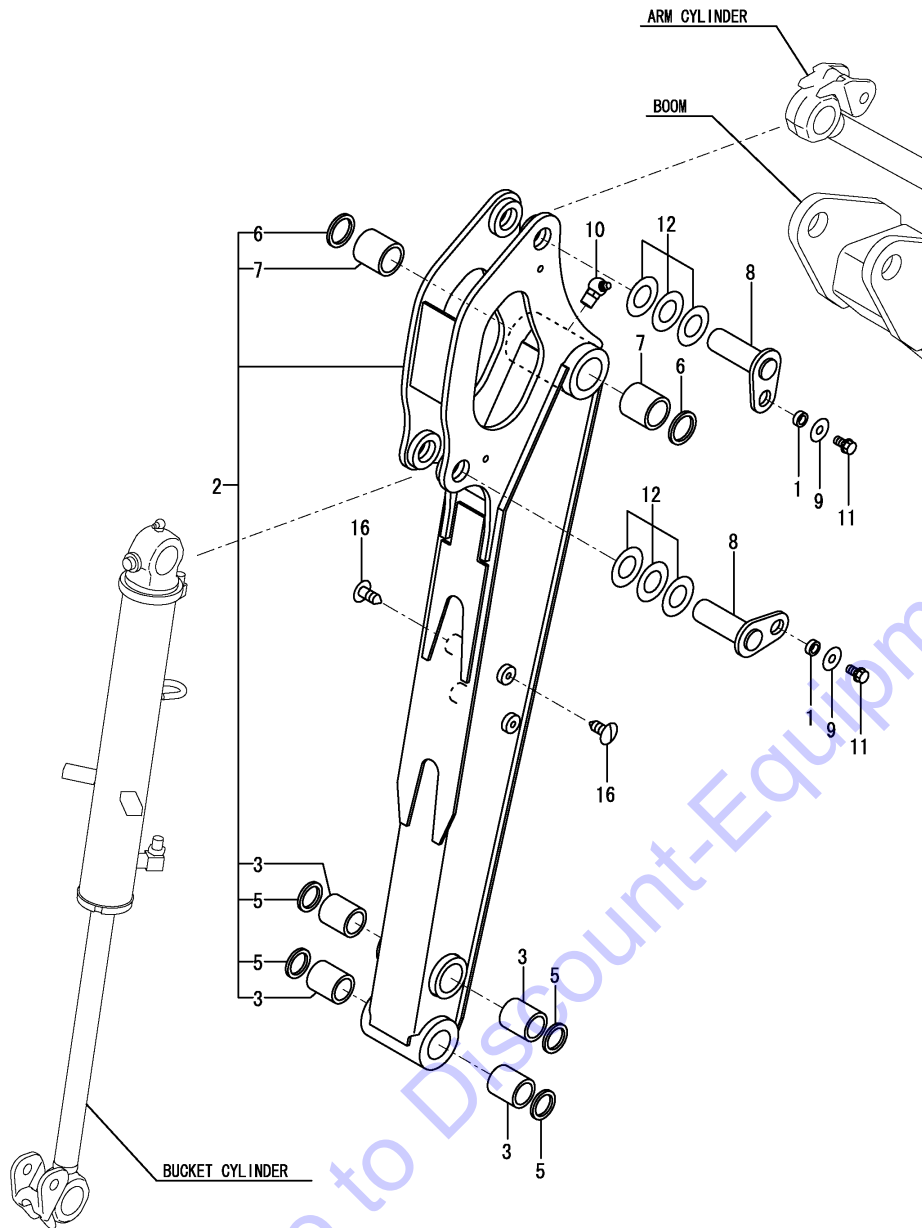
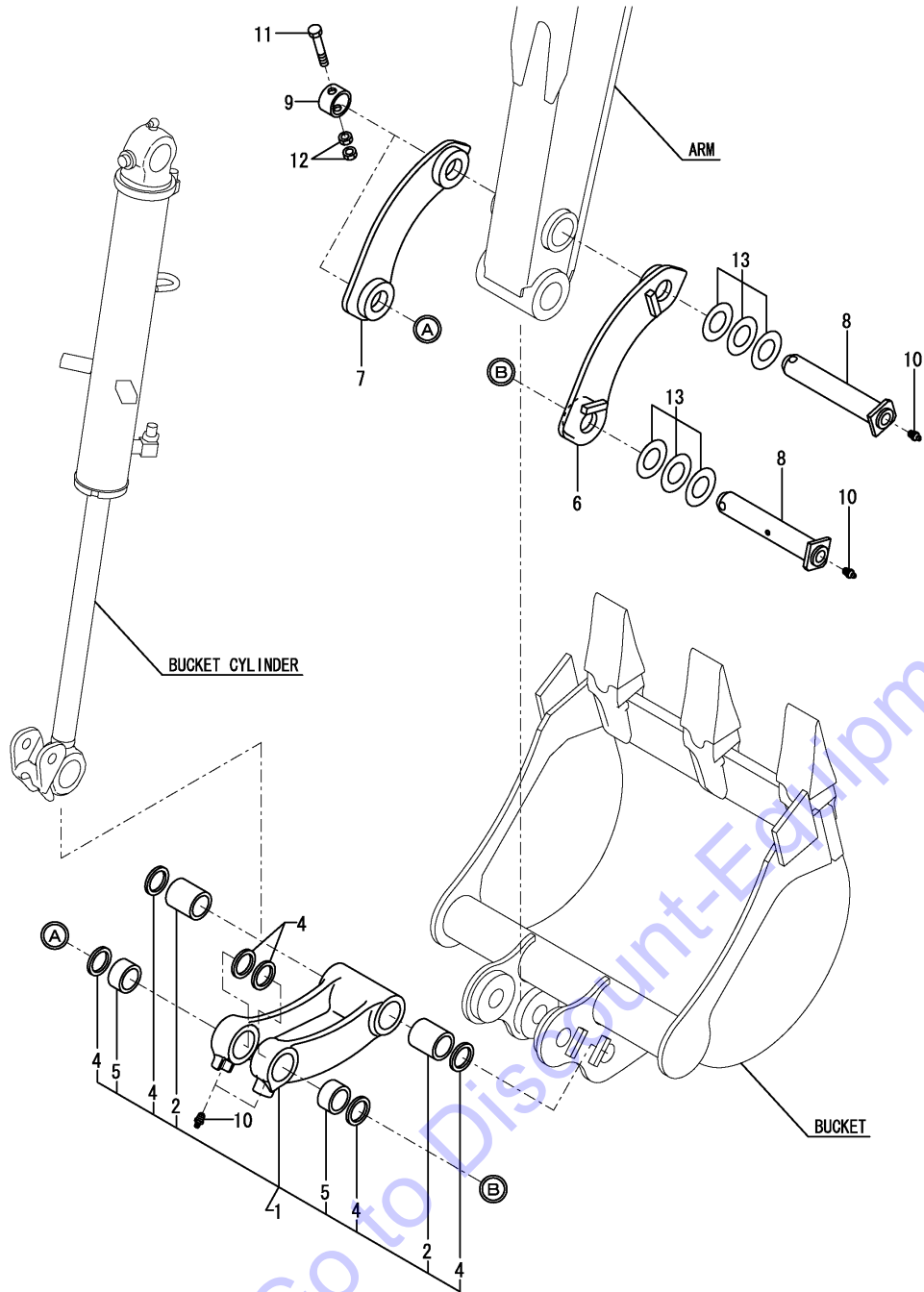


Fig.79. BUCKET ARM & LINK



(A)=VIO17(US)
 (B)=VIO17(AS)
 (C)=VIO17(NZ)
 (D)=VIO17(SG)
 (E)=
 (F)=

REF.	LEV.	PARTS NO.	DESCRIPTION	Q'TY						I	R
				(A)	(B)	(C)	(D)	(E)	(F)		
1	1	172A64-81380-1	LINK ASSY,BUCKET(2J)	1	1	1	1				
1-1	1	172A64-81380-Y	LINK ASSY,BUCKET	1	1	1	1				S
		(A=M07001) (B=M07001) (C=M07001) (D=M07001)									
2	2	172137-81300	BUSH 30X45, PIN	2	2	2	2				
4	2	172448-81600	SEAL 30X40X4,DUST	6	6	6	6				
5	2	172137-84451	BUSH	2	2	2	2				
6	1	172A64-81410-1	ARM L,BUCKET ASSY(2J)	1	1	1	1				
6-1	1	172A64-81411-1	ARM L,BUCKET ASSY	1	1	1	1				N
		(A=M/#XXXXXX) (B=M/#XXXXXX) (C=M/#XXXXXX) (D=M/#XXXXXX)									
6-2	1	172A64-81411-Y	ARM L,BUCKET ASSY	1	1	1	1				S
		(A=M07001) (B=M07001) (C=M07001) (D=M07001)									
7	1	172A64-81440-1	ARM R,BUCKET ASSY(2J)	1	1	1	1				
7-1	1	172A64-81441-1	ARM R,BUCKET ASSY	1	1	1	1				N
		(A=M/#XXXXXX) (B=M/#XXXXXX) (C=M/#XXXXXX) (D=M/#XXXXXX)									
7-2	1	172A64-81441-Y	ARM R,BUCKET ASSY	1	1	1	1				S
		(A=M07001) (B=M07001) (C=M07001) (D=M07001)									
8	1	172A64-82850	PIN ASSY,30X159	2	2	2	2				
9	1	172A64-82880	COLLAR	2	2	2	2				
10	1	24761-020000	NIPPLE, GREASE	4	4	4	4				
11	1	26116-100552	BOLT	2	2	2	2				
12	1	26716-100002	NUT	4	4	4	4				
13	1	933160-06711	SHIM 30, PIN ADJUST	2	2	2	2				

Fig.80. BUCKET

(A)=VIO17(US)
(B)=VIO17(AS)
(C)=VIO17(NZ)

(D)=VIO17(SG)
(E)=
(F)=

REF.	LEV.	PARTS NO.	DESCRIPTION	Q'TY						I	R
				(A)	(B)	(C)	(D)	(E)	(F)		
1	1	172448-82400-2	BUCKET 450S(GRAY:49)	1	1	1	1				
3	3	172448-82530	ADAPTER 16	3	3	3	3				
4	3	172137-86240	TEETH, SIDE	2	2	2	2				
5	2	172448-82950	POINT TOOTH KIT	3	3	3	3				
6	3	172448-82570	POINT,TOOTH 18S	3	3	3	3				
7	3	172448-82960	PIN ASSY, LOCK	3	3	3	3				
8	4	172448-82580	PIN,LOCK	3	3	3	3				
9	4	172448-82590	RUBBER,PIN	3	3	3	3				
10	1	172A55-99451	PIN ASSY	2	2	2	2				
11	2	172A64-82850	PIN ASSY,30X159	2	2	2	2				
12	2	172A64-82880	COLLAR	2	2	2	2				
13	2	24761-020000	NIPPLE PT1/8,GREASE	2	2	2	2				
14	2	26116-100552	BOLT M10X 55 PLATED	2	2	2	2				
15	2	26716-100002	NUT 10	4	4	4	4				
16	2	933160-06711	SHIM 30, PIN ADJUST	2	2	2	2				
20	1	172448-82530	TOOTH ASSY	3	3	3	3				
21	2	172448-82530	ADAPTER 16	3	3	3	3				
22	2	172448-82570	POINT,TOOTH 18S	3	3	3	3				
23	2	172448-82580	PIN,LOCK	3	3	3	3				
24	2	172448-82590	RUBBER,PIN	3	3	3	3				

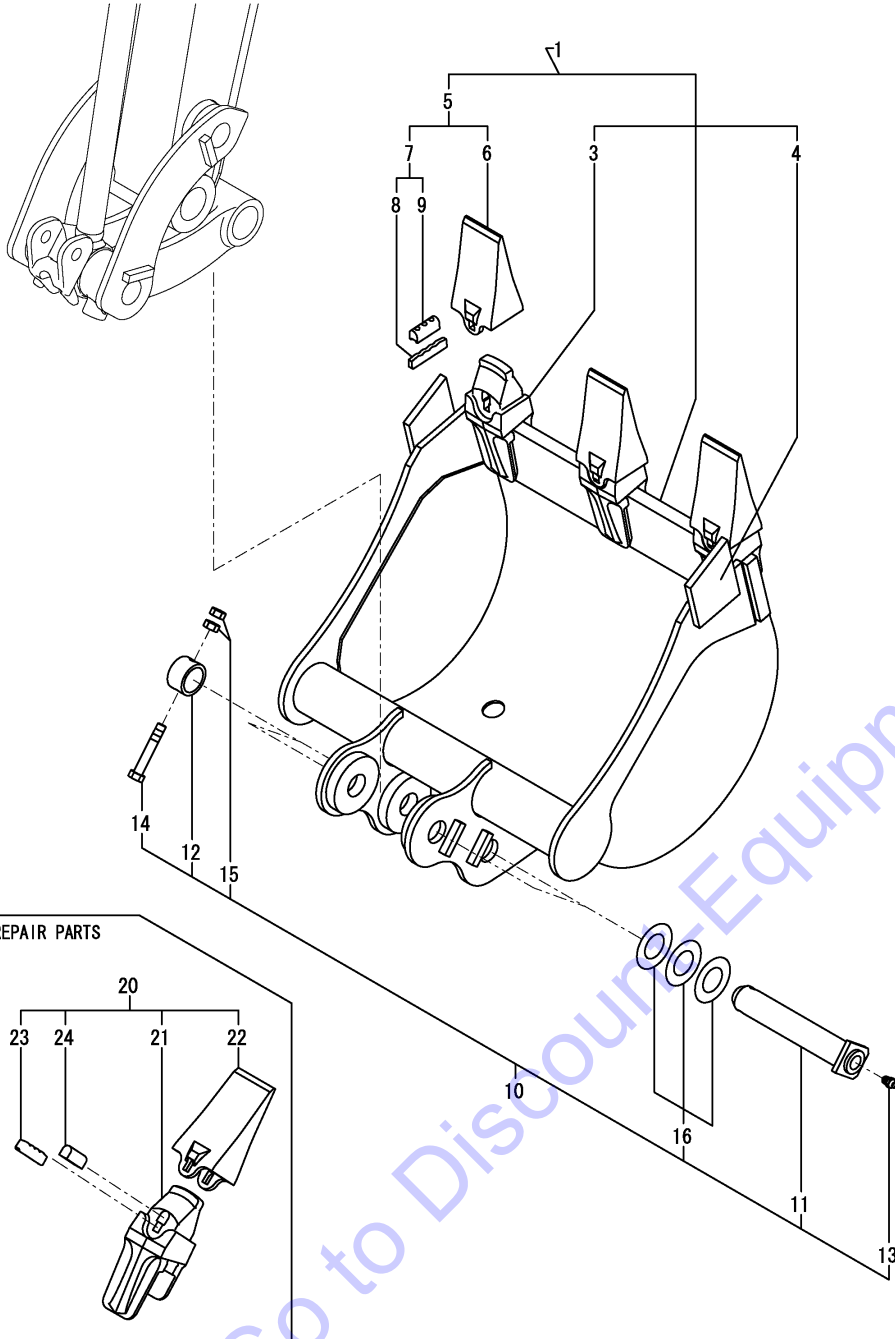
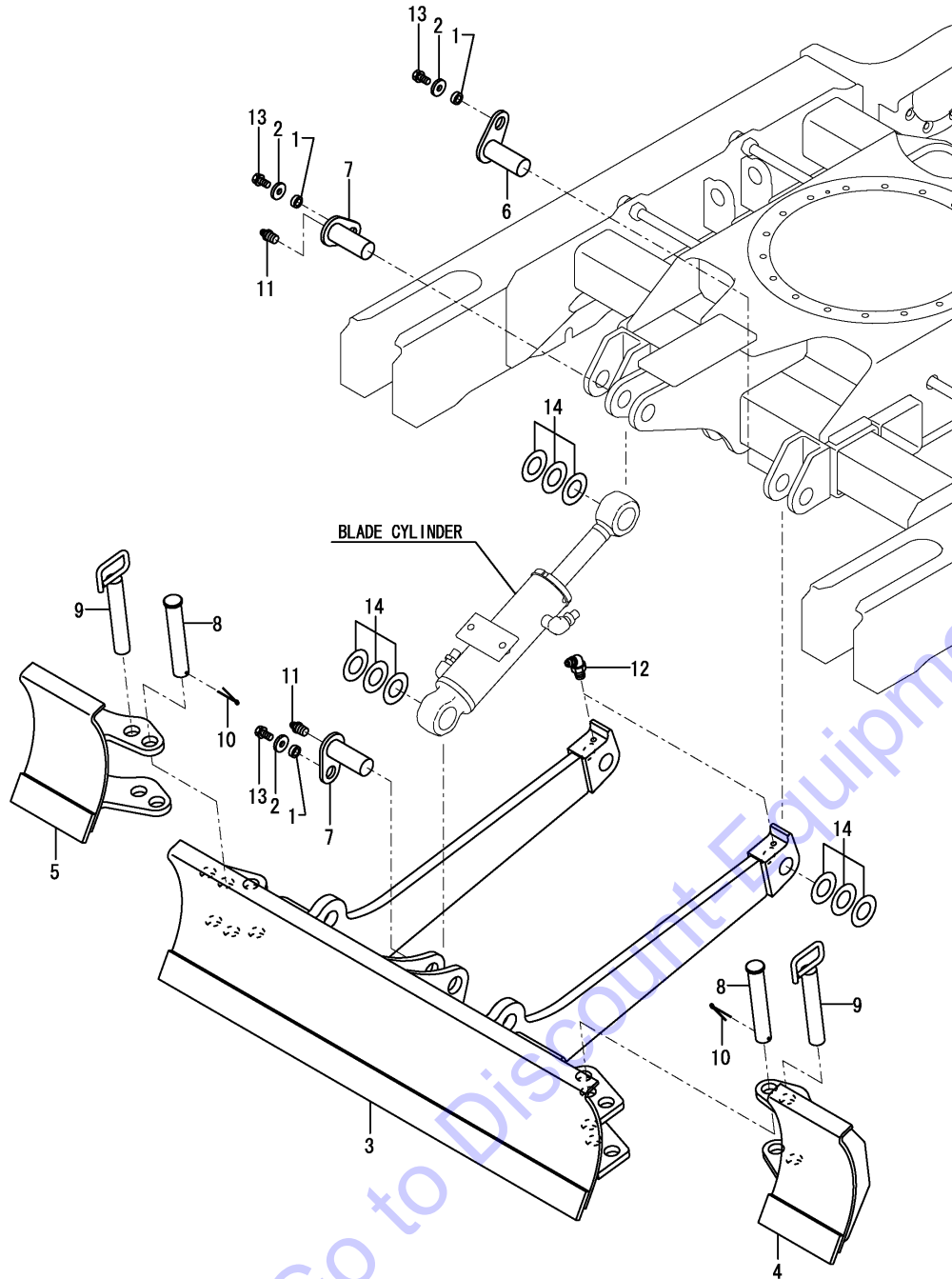


Fig.81. BLADE



(A)=VIO17(US)
 (B)=VIO17(AS)
 (C)=VIO17(NZ)
 (D)=VIO17(SG)
 (E)=
 (F)=

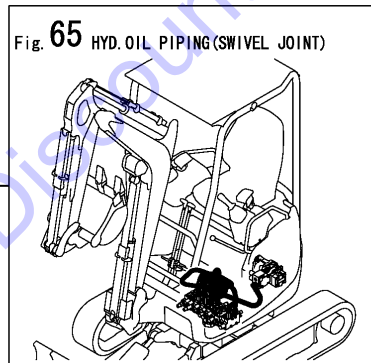
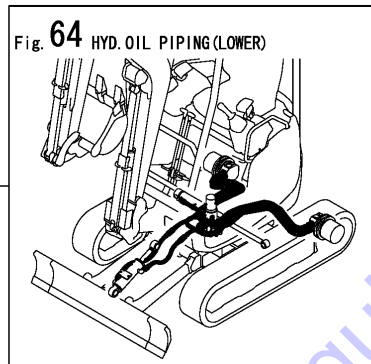
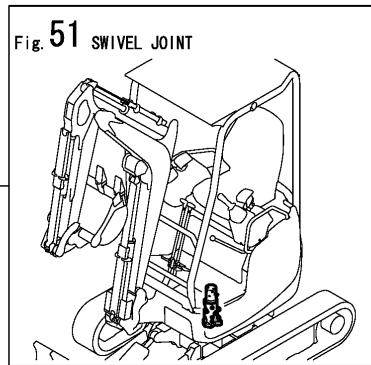
REF.	LEV.	PARTS NO.	DESCRIPTION	Q'TY						I	R
				(A)	(B)	(C)	(D)	(E)	(F)		
1	1	172010-01640	SPACER	4	4	4	4				
2	1	172110-36010	COLLAR	4	4	4	4				
3	1	172A64-94100	BLADE ASSY (GRAY:49)	1	1	1	1				
4	1	172A64-94250	BLADE ASSY,SIDE L(49)	1	1	1	1				
5	1	172A64-94260	BLADE ASSY,SIDE R(49)	1	1	1	1				
6	1	172A64-94350	PIN ASSY,30X76 A	2	2	2	2				
7	1	172A64-94370	PIN ASSY,30X76 B	2	2	2	2				
8	1	172448-94700	PIN 25X143	2	2	2	2				
9	1	172448-94710	PIN 25	2	2	2	2				
10	1	22417-400400	COTTER PIN 4.0X40	2	2	2	2				
11	1	24761-020000	NIPPLE PT1/8,GREASE	2	2	2	2				
12	1	24761-040000	NIPPLE B,GREASE	2	2	2	2				
13	1	26013-100252	BOLT W/WASHER M10X25	4	4	4	4				
14	1	933160-06711	SHIM 30, PIN ADJUST	4	4	4	4				

Fig.82. SWIVEL JOINT EXCHANGE KIT

OCS10-G49500 82. SWIVEL JOINT EXCHANGE KIT

(A)=VIO17(US)
 (B)=VIO17(AS)
 (C)=VIO17(NZ)

(D)=VIO17(SG)
 (E)=
 (F)=



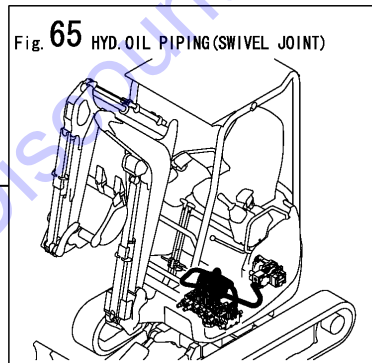
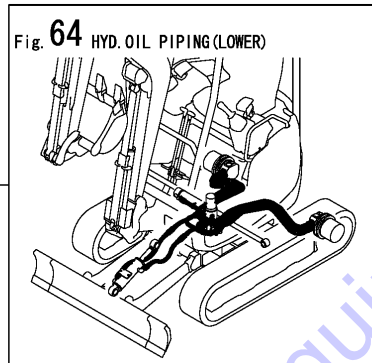
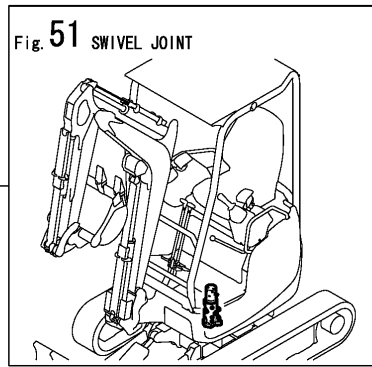
172A64-08400
 SWIVEL JOINT EXCHANGE KIT

REF.	LEV.	PARTS NO.	DESCRIPTION	Q'TY						I	R	
				(A)	(B)	(C)	(D)	(E)	(F)			
1	1	172A64-08400	S-J EXCHANGE KIT (A=FROM 1ST) (B=FROM 1ST) (C=FROM 1ST) (D=FROM 1ST)	1	1	1	1				W	

Fig.83. SWIVEL JOINT HOSE EXCHANGE KIT

(A)=VIO17(US)
 (B)=VIO17(AS)
 (C)=VIO17(NZ)

(D)=VIO17(SG)
 (E)=
 (F)=

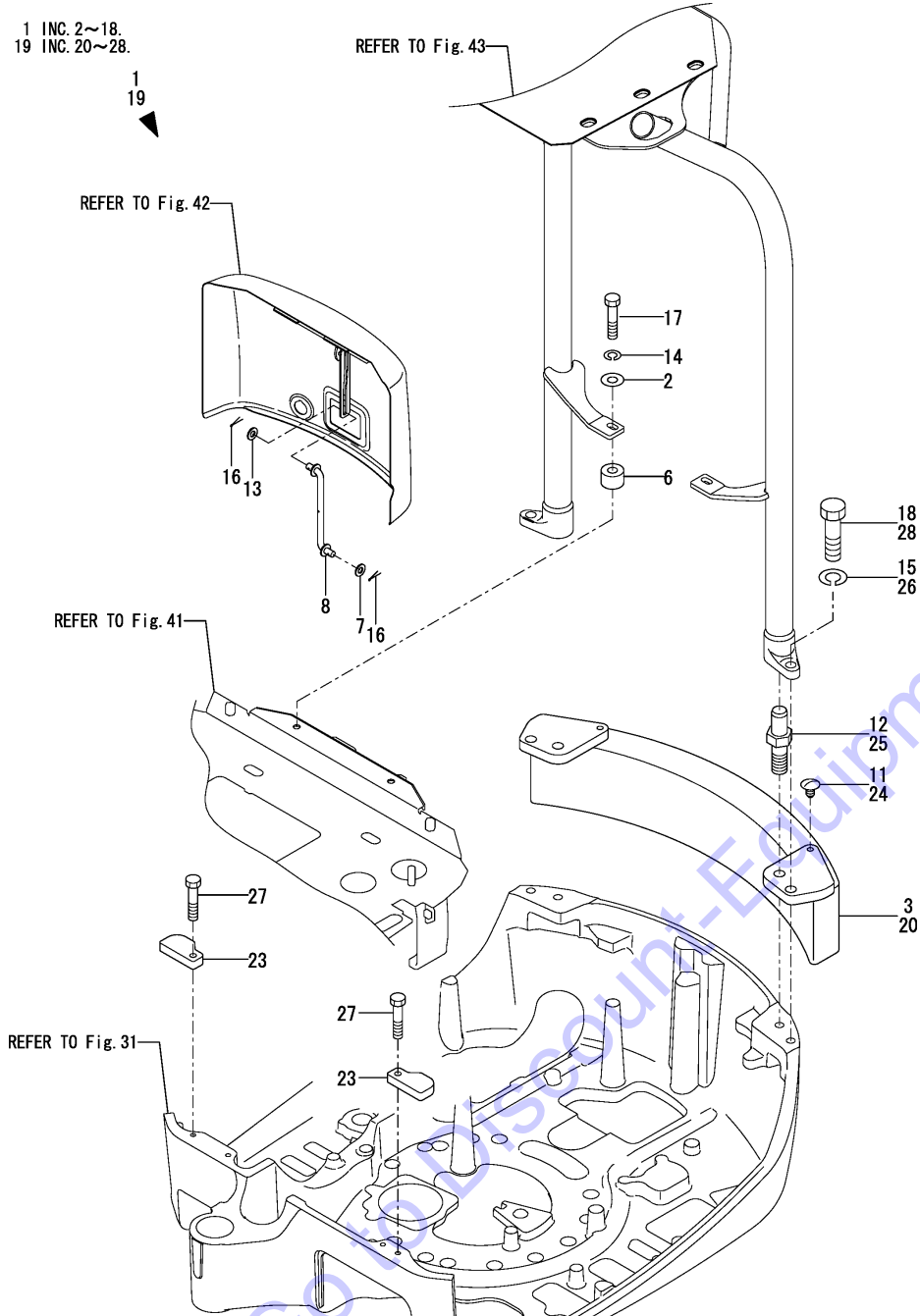


172A64-08450
 SWIVEL JOINT HOSE EXCHANGE KIT

REF.	LEV.	PARTS NO.	DESCRIPTION	Q'TY						I	R	
				(A)	(B)	(C)	(D)	(E)	(F)			
1	1	172A64-08450	S-J HOSE CHANGE KIT (A=FROM 1ST) (B=FROM 1ST) (C=FROM 1ST) (D=FROM 1ST)	1	1	1	1				W	

Fig.84. WEIGHT KIT(OPTIONAL)

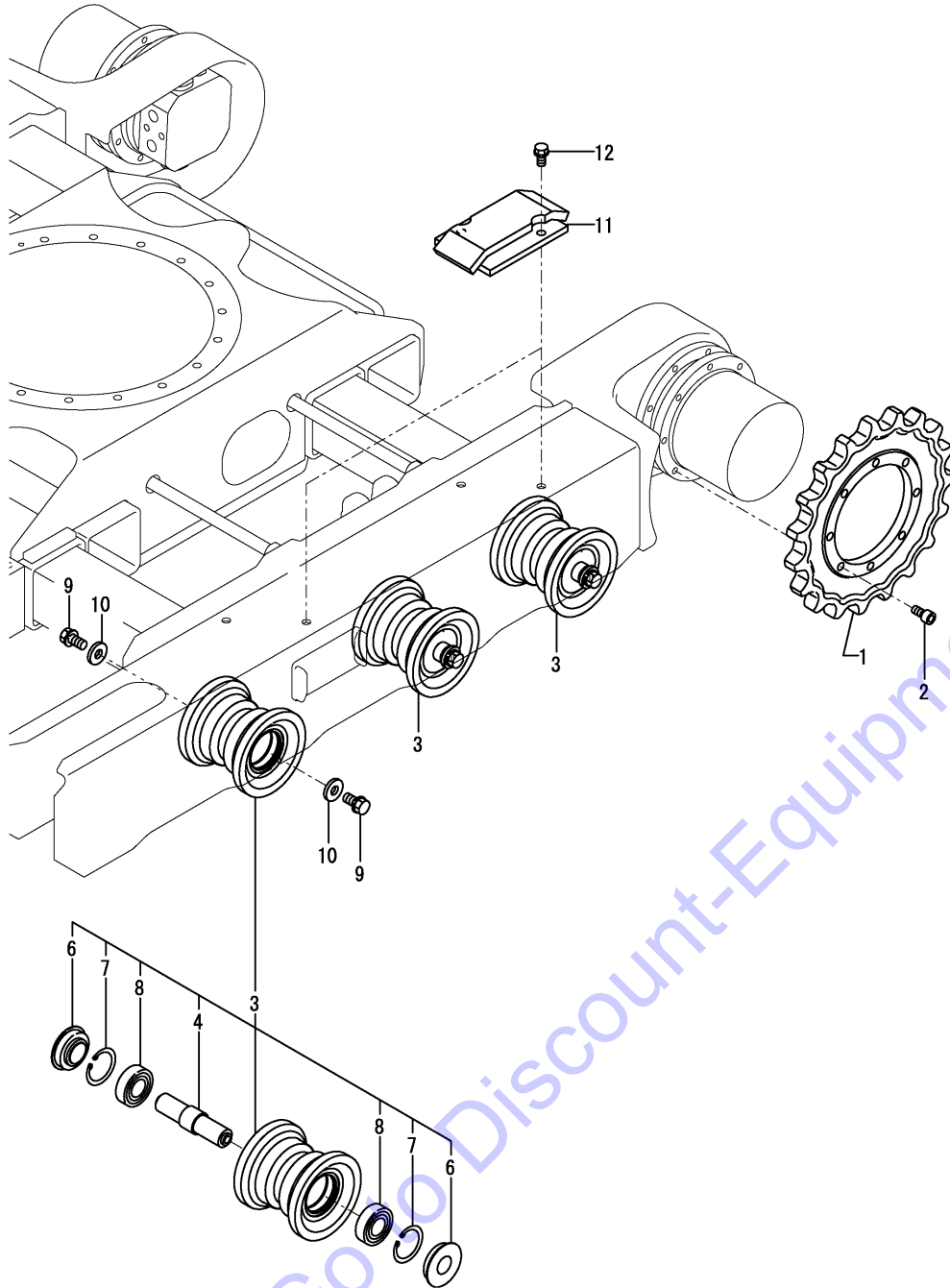
(A)=VIO17(US) (D)=VIO17(SG)
 (B)=VIO17(AS) (E)=
 (C)=VIO17(NZ) (F)=



REF.	LEV.	PARTS NO.	DESCRIPTION	Q'TY						I	R
				(A)	(B)	(C)	(D)	(E)	(F)		
1	1	172A64-08600 (A=M/# 01769) (B=M/# 01769) (C=M/# 01769) (D=M/# 01769)	WEIGHT KIT(2P)	1	1	1	1				W
2	2	172730-05250	WASHER 12	2	2	2	2				
3	2	172A64-53400	WEIGHT ASSY,OP	1	1	1	1				
6	2	172A64-53450	SPACER,R	2	2	2	2				
7	2	1A1380-62160	WASHER, BELT COVER	1	1	1	1				
8	2	172A64-65300	ROD ASSY,STOPPER	1	1	1	1				
11	2	172176-68210	CLIP, TREE D25XL15	2	2	2	2				
12	2	172A64-68290	JOINT21-M20X48	2	2	2	2				
13	2	22137-080000	WASHER 8, POLISHED	1	1	1	1				
14	2	22217-120000	SPRING WASHER 12	2	2	2	2				
15	2	22217-200000	SPRING WASHER 20	2	2	2	2				
16	2	22417-200200	COTTER PIN 2.0X20	2	2	2	2				
17	2	26076-120552	BOLT, 12 X 55	2	2	2	2				
18	2	26076-200702	BOLT, 20 X 70	2	2	2	2				
19	1	172A64-08610 (A=M/# 01769) (B=M/# 01769) (C=M/# 01769) (D=M/# 01769)	WEIGHT KIT(4P)	1	1	1	1				W
20	2	172A64-53400	WEIGHT ASSY,OP	1	1	1	1				
23	2	172A64-53460	SPECER,F	2	2	2	2				
24	2	172176-68210	CLIP, TREE D25XL15	2	2	2	2				
25	2	172A64-68290	JOINT21-M20X48	2	2	2	2				
26	2	22217-200000	SPRING WASHER 20	2	2	2	2				
27	2	26076-120552	BOLT, 12 X 55	2	2	2	2				
28	2	26076-200702	BOLT, 20 X 70	2	2	2	2				

Fig.85. SPROCKET & ROLLER(IRON CRAWLER SPEC.)

(A)=VIO17(US) (D)=VIO17(SG)
 (B)=VIO17(AS) (E)=
 (C)=VIO17(NZ) (F)=

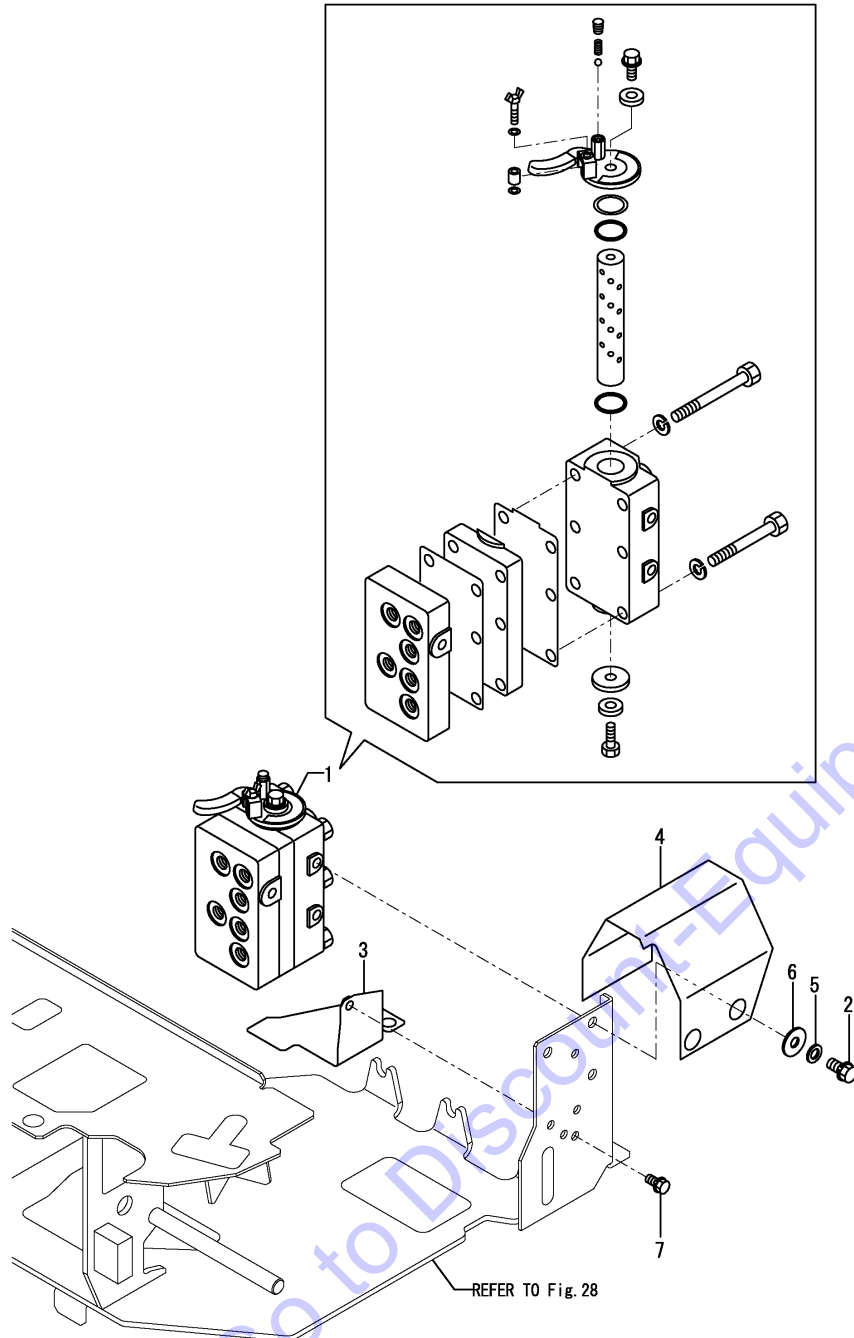


REF.	LEV.	PARTS NO.	DESCRIPTION	Q'TY						I	R		
				(A)	(B)	(C)	(D)	(E)	(F)				
I	1	1	172A64-29110								2		
I	2	1	26450-100252								16		
I	3	1	172A64-37310								6		
I	4	2	172448-37320								6		
I	6	2	1E6140-73420								12		
I	7	2	22252-000520								12		
I	8	2	24101-062054								12		
I	9	1	26013-120252								12		
I	10	1	933152-03700								12		
I	11	1	172A64-37510								4		
I	12	1	26013-100252								8		

Fig.86. 4-WAY VALVE

(A)=VIO17(US)
 (B)=VIO17(AS)
 (C)=VIO17(NZ)

(D)=VIO17(SG)
 (E)=
 (F)=

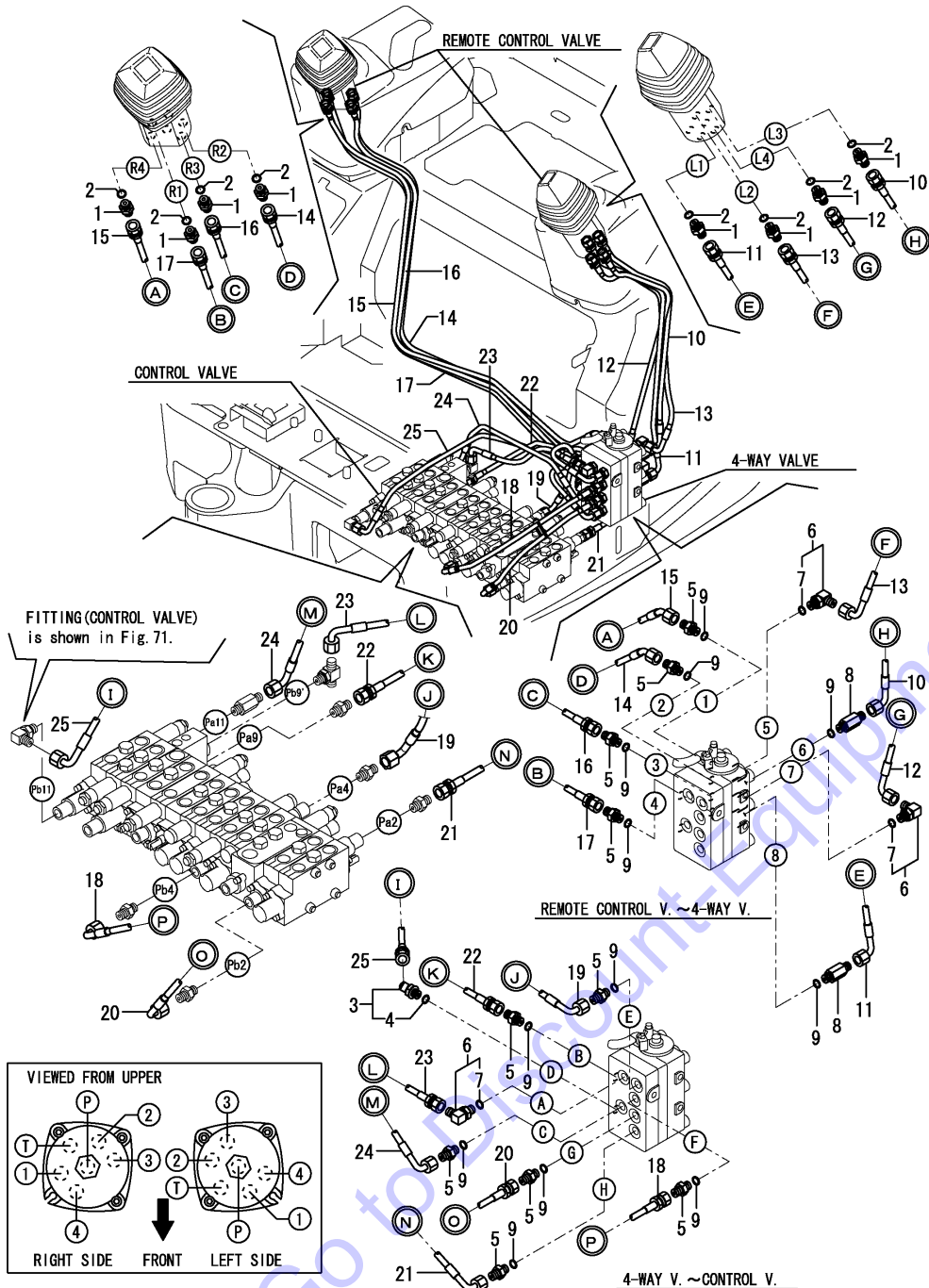


REF.	LEV.	PARTS NO.	DESCRIPTION	Q'TY						I	R
				(A)	(B)	(C)	(D)	(E)	(F)		
1	1	172480-74800	MULTI VALVE ASSY				1				
2	1	26013-100202	BOLT, 10 X 20				3				
3	1	172A64-74840	COVER A CMP,M				1				W
4	1	172A64-74860	COVER B,M				1				W
5	1	22117-100000	WASHER 10				2				W
6	1	22157-100000	WASHER 10				2				W
7	1	26013-080162	BOLT W/WASHER M8X16				1				W

Fig.87. CONTROL PIPING(2 : 4-WAY SPEC.)

(A)=VIO17(US)
(B)=VIO17(AS)
(C)=VIO17(NZ)

(D)=VIO17(SG)
(E)=
(F)=

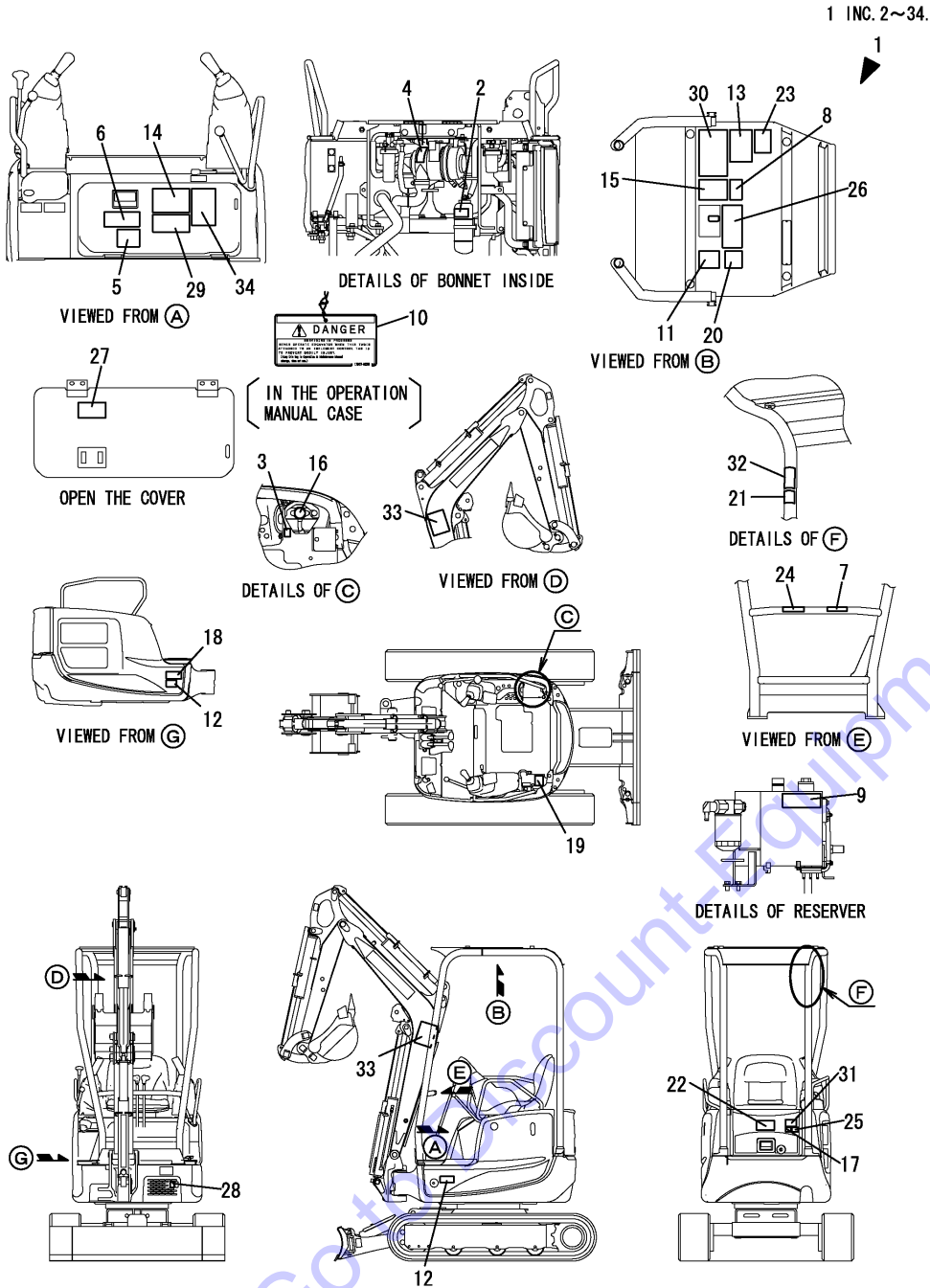


REF.	LEV.	PARTS NO.	DESCRIPTION	QTY						I	R
				(A)	(B)	(C)	(D)	(E)	(F)		
1	1	172123-76121	ADAPTER PF1/2				8				
2	1	41851-000110	PACKING, 11.0				8				
3	1	172173-76102	CONNECTOR PF1/4-45 A				1				
4	2	41851-000110	PACKING, 11.0				1				
5	1	172123-76121	ADAPTER PF1/2				10				
6	1	172141-76181	CONNECTOR ASSY, 02FF				3				
7	2	41851-000110	PACKING, 11.0				3				
8	1	172183-76200	CONNECTOR 1/4-1/4				2				
9	1	41851-000110	PACKING, 11.0				12				
10	1	172A64-79270	HOSE				1				
11	1	172A64-79281	HOSE				1				
12	1	172A64-79290	HOSE				1				
13	1	172A64-79300	HOSE				1				
14	1	172A64-79310	HOSE				1				
15	1	172A64-79320	HOSE				1				
16	1	172A64-79330	HOSE				1				
17	1	172A64-79340	HOSE				1				
18	1	172A64-79350	HOSE				1				
19	1	172A64-79360	HOSE				1				
20	1	172A64-79370	HOSE				1				
21	1	172A64-79380	HOSE				1				
22	1	172A64-79390	HOSE				1				
23	1	172A64-79400	HOSE				1				
24	1	172A64-79410	HOSE				1				
25	1	172A64-79421	HOSE				1				

Fig.88. CA LABEL KIT(OPTIONAL)

(A)=VIO17(US)
(B)=VIO17(AS)
(C)=VIO17(NZ)

(D)=VIO17(SG)
(E)=
(F)=



REF.	LEV.	PARTS NO.	DESCRIPTION	Q'TY						I	R
				(A)	(B)	(C)	(D)	(E)	(F)		
1	1	172A64-03010	CA LABEL KIT,VIO17	1							
2	2	172A37-03150	LABEL,SUB-TANK CA	1							
3	2	172A37-03160	LABEL,ANTI-FREEZE CA	1							
4	2	172A37-03180	LABEL J, AIR CLEANER	1							
5	2	172A37-03220	LABEL,ADJUST CRAWLER	1							
6	2	172A64-03220	LABEL,SPECIFICATION	1							
7	2	172A37-03231	LABEL,MANUAL CA.	1							
8	2	172A37-03241	LABEL,SLOPE CA.	1							
9	2	172A37-03250	LABEL,RESERVOIR CA	1							
10	2	172469-03261	TAG,SERVICING ASSY	1							
11	2	172A37-03271	LABEL,TRANSPORT CA.	1							
12	2	172A37-03280	LABEL,GREASE CYL CA	2							
13	2	172A64-03280	LABEL,OIL&WATER CA	1							
14	2	172A37-03290	LABEL,BATTERY CA	1							
15	2	172A37-03300	LABEL,NEWTRAL CA	1							
16	2	172469-03320	LABEL,RADIATOR CAP	1							
17	2	172A37-03330	LABEL,ENGINE COVER	1							
18	2	172A37-03350	LABEL,SILENCER CA	1							
19	2	172469-03360	LABEL,OIL	1							
20	2	172A37-03360	LABEL,STERRING CA	1							
21	2	172A37-03370	LABEL,ROPS CA	1							
22	2	172A64-03390	LABEL,SWING AREA CA	1							
23	2	172469-03400	LABEL,GREASING	1							
24	2	172A37-03400	LABEL,LEVER LOCK CA	1							
25	2	172A37-03410	LABEL,RADIATOR CA	1							
26	2	172A37-03430	LABEL,2 WAY CA	1							
27	2	172448-03440	LABEL,FUSE	1							
28	2	172448-03480	LABEL,GREASE	1							
29	2	172A37-03500	LABEL,SUPPORT CA	1							
30	2	172A64-03570	LABEL,LIFT CA	1							
31	2	172A37-03710	LABEL,ENGROOM CA	1							
32	2	172A37-03720	LABEL,SEAT BELT CA	1							
33	2	172A37-03730	LABEL,BOOM CA	2							
34	2	172A29-03910	LABEL,VARIABLE CA	1							

Part Number Index

All parts are stipulated in the order of part numbers.

(Depending on the area in which the part is used.)

This index will display the location of the part according to each part number.

Go to Discount-Equipment.com to order your parts

PARTS No. INDEX

PARTS No.	Fig.	Ref.No.
101720-55750	9	36
102103-55520	9	20
		31
104200-55321	9	27
104200-55330	9	17
		28
104200-55341	9	29
104200-55750	9	24
		37
105027-12580	4	6
105425-01690	6	1
110250-55610	9	21
		32
114110-07760	1	50
	2	23
119247-77100	12	13
119258-12530	4	3
119650-77910	12	15
119653-77710	12	14
119655-12560	4	5
119808-12540	4	4
119810-55340	9	18
119810-55650	9	23
119813-44510	7	28
119833-55620	9	16
121250-49121	7	7
121250-55620	9	22
121254-55510	9	19
121256-44600	7	30
121257-55720	9	33
121257-55731	9	34
124064-55510	9	30
124450-44550	7	29
124701-11911	3	6
124766-59050	7	31
	8	18
	9	41
124970-77920	12	32
129211-77920	12	18
129335-55700	9	26
129612-52100	9	15
158802-85040	42	20
158842-86360	42	44
158842-86610	42	45
158842-86620	42	46
168PA0-29010	42	12
168PA0-29020	42	16
168PA0-86010	42	21
168PA0-86020	42	22
168PA0-86030	42	23

PARTS No.	Fig.	Ref.No.
168PA0-86050	42	24
168PA0-86060	42	25
168PA0-86140	42	26
168PA0-86210	42	35
168PA0-86290	42	36
168PA0-86330	42	42
168PA0-86340	42	43
168PA0-86650	42	47
168PA0-86720	42	48
168PA0-86730	42	49
168PA0-86740	42	50
168PA0-86750	42	51
168PA0-86760	42	52
168PA0-86830	42	53
168PA0-87010	42	54
168PA0-87020	42	55
171081-55910	9	38
172010-01640	43	1
	77	1
	78	1
	81	1
172068-28490	26	2
172110-36010	81	2
172112-16650	11	5
172112-77361	63	5
172113-12522	5	6
172116-75850-B	62	13
172116-76381	71	17
		26
172117-83970-7	46	32
172122-17190	38	1
	39	2
172122-37844	17	16
		43
172122-46590	21	17
172122-79920	66	11
172122-79930	73	19
172123-76121	71	1
	73	1
	74	1
	87	1
		5
172124-46200	20	3
	21	15
172124-46340	21	16
172124-76100	63	2
172124-76160	67	2
	71	6
172125-03951	1	47
172126-11510	66	13

PARTS No.	Fig.	Ref.No.
172126-16540	8	24
	14	5
172131-76130	67	1
172137-16560	9	13
		14
172137-37850	17	23
		50
172137-46042	43	2
	44	1
	45	1
172137-70490	50	2
172137-70570	50	3
172137-70580	50	4
172137-70590	50	5
172137-70600	50	6
172137-79950	73	20
172137-81300	78	3
	79	2
172137-84451	79	5
172137-86240	80	4
172141-41340	21	4
172141-41360	22	3
	24	6
	25	3
	26	9
	39	3
172141-41370	20	2
	21	6
		9
172141-72250	44	12
	46	7
172141-76180	43	35
	44	29
	45	29
	63	3
	67	3
	71	9
	74	5
	87	6
172141-76181	71	20
172141-76900	71	22
172141-76920	71	22
172141-77260	50	29
172141-82270	77	5
	78	7
172141-84601	43	46
	77	9
172142-72560	46	17
172142-73800	51	4
172142-76181	71	11
		30

PARTS No.	Fig.	Ref.No.
172142-76950-6	72	6
172142-76950-Y	72	6 -1
172146-82910	46	31
172147-76180	65	1
		2
172147-76260	71	16
172148-73350	50	7
172148-73870	51	6
172149-17630	30	17
172149-57610	30	15
172149-57620	30	16
172149-72241	43	29
172149-72440	44	15
		22
	45	17
	47	12
		17
172149-72680	45	22
172151-73400	60	3
		21
172151-73420	60	4
		22
172151-73450	60	5
		23
172151-73610	60	24
172156-17401	15	3
172156-17420	15	4
172156-78510	33	3
172156-78520	33	4
172157-03170	1	8
172157-45840	14	1 C
172157-45990	24	10
	26	14
172157-58830	59	2
172157-73910	51	13
172162-14200	8	13
172162-46690	20	7
	25	6
172162-76131	71	2
172162-76320	65	3
172164-45951	21	13
172164-45961	21	14
172164-45970	22	5
172164-66170	34	14
	40	12
172165-45970	19	2
172165-46340	24	11
	26	15
172165-47550	20	9
172165-82520	76	2

PARTS No. INDEX

PARTS No.	Fig.	Ref.No.
172165-82530	76	3
172165-82580	46	26
172165-82590	46	27
172165-82600	46	28
172168-72410	46	14
172168-73370	49	5
172168-73590	50	14
172171-14610	8	17
172171-54750	30	5
172173-38200	18	8
172173-38210	18	9
172173-38220	18	10
172173-38300	18	11
172173-72550	44	28
	45	25
	48	14
172173-73520	50	8
172173-73690	50	16
172173-73700	50	17
172173-76101	74	3
172173-76102	87	3
172176-67790	34	7
172176-68210	30	7
	84	11
		24
172179-13211	6	7
172183-03280	1	19
172183-11400	3	3
172183-16550	12	9
172183-16580	12	3
172183-16590	12	4
172183-74821-3	72	8
172183-74821-Y	72	8 -2
172183-74822-3	72	8 -1
172183-76200	71	13
	87	8
172183-76250-2	72	2
172183-76250-Y	72	2 -1
172186-13810	7	24
	9	1
172186-13820	7	25
	9	2
172186-76390	65	4
172187-17070	13	2
172187-17080	13	3
172187-17090	13	4
172187-17100	13	1
172187-17280	37	1
172187-17320	37	5
172187-17341	37	7

PARTS No.	Fig.	Ref.No.
172187-17350	37	8
172187-17360	37	9
172187-17371	37	10
172187-17380	37	11
172187-17470	37	15
172187-17480	37	16
172187-17560	37	17
172187-17570	37	18
172187-45530	24	3
	26	6
172187-45651	24	8
	26	11
172187-45760	24	9
	26	12
172187-61421	34	1
	40	1
172187-64831	38	14
172187-76170	71	7
172312-77820	75	7
172422-76130	71	3
172433-64511	38	10
172437-03242	1	14
172437-03252	1	16
	2	1
172437-03302	1	21
	2	22
	41	13 J
172437-03312	1	23
	2	2
	41	13 A
172437-03322	1	24
	2	3
	62	18 A
172437-03343	1	26
	2	4
	41	13 B
172437-03352	1	27
	2	5
	35	15 A
		16 A
172437-03361	1	28
	2	6
	34	24 A
172437-03372	1	29
	2	7
	41	13 C
172437-03391	1	31
	2	9
	40	22 B
172437-03402	1	32

PARTS No.	Fig.	Ref.No.
172437-03402	2	10
	40	22 C
172437-03422	1	34
	2	12
	35	16 B
172437-03432	1	35
	2	13
	41	13 D
172437-03441	1	36
	2	14
	41	13 E
172437-03451	1	37
	2	15
	41	13 F
172437-03461	1	38
	2	16
	77	20 A
172437-03471	1	39
	2	17
	41	13 G
172437-03501	1	40
172437-03511	1	41
172437-03601	1	45
	2	19
	41	13 I
172437-03610	1	46
172437-03620	1	48
172437-74711	59	4
172437-74720	59	5
172437-74732	59	6
172441-44320	27	1
172444-03290	1	51
172444-13210	7	5
172444-13220	7	6
172444-17660	38	2
172444-54920	30	21
172444-64730	40	3
172445-62010	35	11
172446-03652	1	49
	2	20
	34	24 B
172446-13330	7	9
172446-13450	7	2 B
172446-14250	12	11
172446-73872	51	9
172446-73890	51	12
172446-73900	51	3
172446-75250	62	7
172446-78750-2	33	5
172446-78750-Y	33	5 -1

PARTS No.	Fig.	Ref.No.
172446-78760	33	6
172446-78770	33	7
172447-13260	6	8
172447-17140	12	6
172447-17150	12	7
172447-57600	30	13
172447-72860	47	20
172447-73840	51	5
172447-74230	55	14
	56	18
172447-75600	62	8
172447-76210	64	3
172448-03440	88	27
172448-03480	88	28
172448-03540	1	42
172448-11500	4	1
172448-11510	4	2
172448-16550	15	1
172448-16600	14	6
172448-37310	16	5
172448-37320	85	4
172448-37712	17	14
		41
172448-37800	17	15
		42
172448-38101-1	18	2
172448-38110-2	18	3
172448-38231	18	12
172448-38301-1	18	13
172448-45380-1	26	4
172448-45800-3	26	13
172448-50800-1	29	7
172448-54120	30	4
172448-62400	36	5
172448-65680	39	13
172448-71200	42	5
172448-72270	43	32
172448-72650	46	10
		16
172448-73840	51	1
172448-73851	51	2
172448-73860	51	8
172448-73900	51	17
	89	19
172448-81600	44	16
		23
	45	18
		23
	47	14
		19

PARTS No. INDEX

PARTS No.	Fig.	Ref.No.
172448-81600	78	5
	79	4
172448-81610	43	19
		23
	77	4
	78	6
172448-82302-1	76	1
172448-82302-Y	76	1 -1
172448-82400-2	80	1
172448-82530	80	3
		21
172448-82570	80	6
		22
172448-82580	80	8
		23
172448-82590	80	9
		24
172448-82950	80	5
172448-82960	80	7
172448-94700	81	8
172448-94710	81	9
172449-37200-1	17	33
172449-72020	44	7
172449-72040	46	2
172449-72321	44	17
	45	12
	48	10
172449-72350	43	33
172449-72410	44	25
172449-72560	45	26
172449-72810	46	18
172449-72960	46	21
172455-14470	8	16
172455-46890	20	8
172455-75290	62	9
172455-75300	62	10
172455-76220	73	2
172456-13480	7	12
172456-14151	8	9
172456-14610	9	9
172456-14620	9	10
172456-74280	52	6
172456-74290	56	16
172456-74440	52	4
172456-77150	50	18
172456-77160	50	19
172456-77170	50	20
172456-77180	50	21
172456-77190	50	22
172456-77200	50	23

PARTS No.	Fig.	Ref.No.
172456-77210	50	24
172456-77220	50	25
172456-77230	50	26
172456-77240	50	27
172456-77250	50	28
172458-03240	1	15
	26	1
172458-14370	8	14
172458-16110	10	1
172458-16140	11	3
172458-45510-1	21	12
172458-45521-1	24	2
	26	5
172458-45540-1	24	4
	26	7
172458-45950	25	5
172458-46730	60	1
172458-50480-2	31	1
172458-72740	46	11
172458-74130	53	2
	54	2
	55	2
		16
	56	3
	58	3
172458-74140	53	3
	54	3
	55	3
		17
	56	4
	58	4
172458-74150	52	8
	53	17
	55	4
		18
	56	20
	58	5
		15
172458-74160	52	9
	53	18
	55	5
		19
	56	21
	58	6
		16
172458-74170	53	4
	54	4
	55	6
		20
	56	5

PARTS No.	Fig.	Ref.No.
172458-74170	58	7
172458-74230	52	10
	53	19
	54	16
	56	22
	57	6
	58	17
172458-74240	52	11
	53	20
	54	17
	56	23
	57	7
	58	18
172458-74250	52	12
	53	21
	56	25
	58	19
172458-74260	52	13
	53	22
	54	18
	56	26
	57	8
	58	20
172458-74290	53	5
	54	5
	57	9
172458-74360	53	7
	54	7
	57	10
172458-74460	53	8
	54	8
172458-74530	54	19
	57	11
172458-74540	54	20
	57	12
172458-74550	54	21
	57	13
172458-74630	52	15
	53	24
	55	8
		22
	56	27
	58	8
		21
172458-74640	53	9
	54	9
	57	14
172458-74650	56	10
172458-74670	57	15
172458-74720	52	18

PARTS No.	Fig.	Ref.No.
172458-74720	53	26
	54	23
	55	27
	56	30
	58	23
172460-16700	11	6
172462-03320	1	25
172462-74340	53	15
	56	29
172463-03290	1	20
172469-03261	88	10
172469-03320	88	16
172469-03360	88	19
172469-03400	88	23
172472-03141	1	5
	2	21
	34	24 C
172472-03160	1	7
172472-17400-1	14	10
172472-17401-1	14	10 -1
172472-17401-Y	14	10 -2
172472-17470-1	14	11
172472-17470-Y	14	11 -1
172472-17501	37	2
172478-16580	14	7
172478-65220	34	6
172480-74800	86	1
172480-76120	71	28
172487-76200	67	5
172490-03200	1	11
172490-74310	56	7
172490-74320	56	8
172490-74330	56	9
172496-03250	1	17
172498-12250	5	5
172511-17351	14	9
172519-03150	1	6
172519-63240	27	4
		5
	37	21
172614-16520	24	23
	73	13
172638-06710	7	17
172638-72200	43	25
	47	7
172638-72201	47	7 -1
172645-76570	71	18
172649-65770	40	8
172652-64220	38	9
172653-73200	5	9 -1

PARTS No. INDEX

PARTS No.	Fig.	Ref.No.
172725-16160	10	2
172730-05250	28	1
	84	2
172730-75141	63	1
	64	1
172A20-72430	43	34
172A23-64770	38	11
172A23-72043	43	3
	44	2
	45	2
172A23-72052	43	4
	44	3
	45	3
172A23-72081	43	7
	44	5
	45	5
172A23-72951-1	43	43
172A23-72951-N	43	43 -1
172A29-03910	88	34
172A29-62900	8	8
172A36-03411	1	33
	2	11
	40	22 D
172A36-74690	59	1
172A36-74750	59	7
172A36-74780	59	8
172A37-03150	88	2
172A37-03160	88	3
172A37-03180	88	4
172A37-03220	88	5
172A37-03231	88	7
172A37-03241	88	8
172A37-03250	88	9
172A37-03271	88	11
172A37-03280	88	12
172A37-03290	88	14
172A37-03300	88	15
172A37-03330	88	17
172A37-03350	88	18
172A37-03360	88	20
172A37-03370	88	21
172A37-03400	88	24
172A37-03410	88	25
172A37-03430	88	26
172A37-03500	88	29
172A37-03710	88	31
172A37-03720	88	32
172A37-03730	88	33
172A38-03201	1	10
172A38-03211	1	12

PARTS No.	Fig.	Ref.No.
172A46-46500	27	2
172A46-46530	27	3
172A46-64200	38	6
172A46-72070	43	6
	44	4
	45	4
172A46-78500	73	22
172A47-03410	1	52
172A47-44200	21	1
172A47-44230	21	2
172A47-46230	20	5
172A47-46310	20	6
172A47-46343	20	18
172A47-46344	20	18 -1
172A47-63110	37	19
172A47-63121	37	20
172A47-72840	43	56 -1
	44	36 -1
	45	38 -1
172A47-74360	57	4 -1
172A47-75450	52	17 -1
172A47-76230	71	14
172A47-76310	73	4
172A47-77800	75	1
172A47-77820	75	3
172A55-03310	1	22
172A55-03590	1	44
172A55-13700	6	9
172A55-99451	80	10
172A64-03010	88	1
172A64-03050	1	60
	40	4 A
172A64-03130	1	2
172A64-03140	1	3
172A64-03150	1	4
172A64-03180	1	9
172A64-03211	1	13
172A64-03220	88	6
172A64-03230	1	2 -1
172A64-03240	1	3 -1
172A64-03270	1	18
172A64-03280	88	13
172A64-03380	1	30
	2	8
	40	22 A
172A64-03390	88	22
172A64-03560	1	43
	2	18
	41	13 H
172A64-03570	88	30

PARTS No.	Fig.	Ref.No.
172A64-03600	1	53
172A64-03700	1	8 -1
172A64-08311	14	1 -1
172A64-08320	1	1
172A64-08400	82	1
172A64-08450	83	1
172A64-08600	84	1
172A64-08610	84	19
172A64-11310	3	1
172A64-11330	3	4
172A64-11340	3	5
172A64-11520	4	7
172A64-11530	4	8
172A64-12100	5	1
172A64-12140	5	2
172A64-12180	5	3
172A64-12181	5	3 -1
172A64-12200	5	4
172A64-13100	6	2
172A64-13110	6	3
172A64-13120	6	4
172A64-13150	6	5
172A64-13160	6	6
172A64-13190	7	1
172A64-13210	7	2 A
172A64-13220	7	2 C
172A64-13230	7	2 D
172A64-13310	7	3
172A64-13320	7	4
172A64-13360	7	10
172A64-13400	7	13
172A64-13510	7	14
172A64-13520	7	15
172A64-13680	7	18
172A64-13700	7	16
172A64-13760	7	20
172A64-13770	7	21
172A64-13780	7	22
172A64-13790	7	23
172A64-14110	8	1
172A64-14200	8	10
172A64-14230	8	12
172A64-14250	9	5
172A64-14260	9	6
172A64-14410	8	15
172A64-16101	11	1
172A64-16120	11	3 -1
172A64-16131	11	15
172A64-16501	11	4
172A64-16502	11	4 -1

PARTS No.	Fig.	Ref.No.
172A64-16530	12	1 -2
172A64-16551	12	1
172A64-16552	12	1 -1
172A64-17120	12	10
172A64-17121	12	10 -1
172A64-17210-1	15	2
172A64-17210-Y	15	2 -1
172A64-17250	13	7
172A64-29100	16	1
172A64-29110	85	1
172A64-37100	17	3
172A64-37120	17	4
		30
172A64-37130	17	5
		31
172A64-37140	17	6
		32
172A64-37200	17	1
172A64-37210	17	2
172A64-37230	17	28
172A64-37240	17	29
172A64-37310	85	3
172A64-37500	16	11
172A64-37510	85	11
172A64-38600	18	1
172A64-45100	21	5
172A64-45101	21	5 -1
172A64-45130	21	8
172A64-45131	21	8 -1
172A64-45200	21	11
172A64-45250	14	1
172A64-45280	24	1
172A64-45290	26	3
172A64-45310	14	1 A
172A64-45320	14	1 B
172A64-45420	28	2
172A64-45421	28	2 -1
172A64-45580	28	3
172A64-45600	61	1
172A64-45650	24	5
	26	8
172A64-45690	22	1
172A64-45700	22	2
172A64-45800	23	2
172A64-45840	23	3
172A64-45850	23	4
172A64-45900	25	2
172A64-46100	20	1
172A64-46101	20	1 -1
172A64-46210	20	4

PARTS No. INDEX

PARTS No.	Fig.	Ref.No.
172A64-46450	19	3
172A64-46451	19	3 -1
172A64-46470	19	4
172A64-50200	29	1
172A64-50201	29	1 -1
172A64-50400	29	2
172A64-50401	29	2 -1
172A64-50402	29	2 -3A
172A64-50410	29	3
172A64-50411	29	3 -1
172A64-50412	29	3 -3A
172A64-50630	29	2 -2
172A64-50631	29	2 -3B
172A64-50640	29	3 -2
172A64-50641	29	3 -3B
172A64-50700	29	4
172A64-50701	29	4 -1
172A64-50720	48	1
172A64-50730	48	2
172A64-50770	48	3
172A64-50810	29	8
172A64-50820	29	9
172A64-50830	29	10
172A64-50840	29	11
172A64-50950	29	15
172A64-53300	30	1
172A64-53400	84	3
		20
172A64-53450	84	6
172A64-53460	84	23
172A64-54100	30	2
172A64-54150	41	1
172A64-54230	30	6
172A64-61260	35	8
172A64-61260-Y	35	8 -1
172A64-61310	32	1
172A64-61340	32	2
172A64-61350	32	3
172A64-61360	32	4
172A64-61400-1	35	1
172A64-61400-Y	35	1 -1
172A64-61450	35	3
172A64-61460	35	4
172A64-61470	35	10
172A64-61500	31	2
172A64-61510	31	3
172A64-61520	31	4
172A64-61550-1	33	1
172A64-61550-Y	33	1 -1
172A64-61610	34	2

PARTS No.	Fig.	Ref.No.
172A64-61630	34	3
172A64-61660	34	4
172A64-61700	34	8
172A64-61710	34	9
172A64-61820	34	10
172A64-61850	34	11
172A64-62100	36	1
172A64-62120	36	3
172A64-62130	36	4
172A64-62270	36	6
172A64-64120	38	4
172A64-64130	38	3
172A64-64200	39	1
172A64-64201	39	1 -1
172A64-64710	39	11
172A64-64730	39	12
172A64-64800	38	12
172A64-64820	38	13
172A64-64910	39	5
172A64-64920	39	6
172A64-64930	39	7
172A64-64940	39	8
172A64-64950	39	9
172A64-64960	39	10
172A64-65100-1	40	4
172A64-65160	40	6
172A64-65170	40	7
172A64-65180	40	9
172A64-65200	40	10
172A64-65250	40	11
172A64-65300	84	8
172A64-65580	40	4 -1
172A64-65600	40	4 B
172A64-66280	41	2
172A64-68250	41	6
172A64-68290	84	12
		25
172A64-71100	42	1
172A64-71210	42	2
172A64-71211	42	2 -1
172A64-72020	47	2
172A64-72030	43	9
172A64-72040	45	7
	48	5
172A64-72050-1	43	5
172A64-72051-1	43	5 -1
172A64-72051-N	43	5 -2
172A64-72100-1	43	8
172A64-72100-N	43	8 -1
172A64-72110-1	43	16

PARTS No.	Fig.	Ref.No.
172A64-72110-N	43	16 -1
172A64-72150	43	20
172A64-72190	43	18
		22
172A64-72200-1	43	24
172A64-72200-N	43	24 -1
172A64-72230	43	28
172A64-72250-1	43	42
172A64-72251	43	42 -1
172A64-72251-N	43	42 -2
172A64-72300-1	44	6
172A64-72300-N	44	6 -1
172A64-72310-1	44	13
172A64-72310-N	44	13 -1
172A64-72350	44	20
172A64-72390	44	24
172A64-72400-1	45	6
172A64-72400-N	45	6 -1
172A64-72410-1	45	15
172A64-72410-N	45	15 -1
172A64-72440	45	19
172A64-72450	45	20
172A64-72490	45	24
	47	10
	48	13
172A64-72500	46	1
172A64-72510	46	8
172A64-72540	46	12
172A64-72550	46	13
172A64-72601	47	1
172A64-72610	47	11
172A64-72640	47	15
172A64-72651	47	16
172A64-72690	47	25
172A64-72700	48	4
172A64-72710	48	15
172A64-72750	48	16
172A64-72810	48	17
172A64-72860	48	20
172A64-72900-1	44	33
172A64-72901-1	44	33 -1
172A64-72901-N	44	33 -2
172A64-72950-1	45	33
172A64-72951-1	45	33 -1
172A64-72951-N	45	33 -2
172A64-72980-1	44	34
	45	34
172A64-72980-N	44	34 -1
	45	34 -1
172A64-73100	42	7

PARTS No.	Fig.	Ref.No.
172A64-73300	49	1
172A64-73310	50	1
172A64-73350	49	2
172A64-73360	49	3
172A64-73380	49	6
172A64-73390	49	7
172A64-73400	49	8
172A64-73410	49	9
172A64-73420	49	10
172A64-73430	49	11
172A64-73440	49	4
172A64-73450	49	12
172A64-73460	49	13
172A64-73510	49	15
172A64-73520	49	16
172A64-73600	50	9
172A64-73610	50	10
172A64-73620	50	11
172A64-73630	50	12
172A64-73640	50	13
172A64-73660	50	30
172A64-73700	62	2
172A64-73770	62	3
172A64-73780	62	4
172A64-73790	89	1
172A64-73800	89	2
172A64-73810	89	3
172A64-73840	89	6
172A64-73850	89	7
172A64-73870	89	10
172A64-73880	89	9
172A64-73890	89	15
172A64-74100	52	1
172A64-74110	58	1
172A64-74120	58	2
172A64-74130	58	13
172A64-74140	58	14
172A64-74150	57	1
172A64-74160	57	2
172A64-74170	57	3
172A64-74190	57	5
172A64-74200	56	1
172A64-74210	56	2
172A64-74220	56	6
172A64-74230	56	17
172A64-74240	56	19
172A64-74250	56	24
172A64-74260	55	1
172A64-74270	55	7
172A64-74280	55	13

PARTS No. INDEX

PARTS No.	Fig.	Ref.No.
172A64-74290	55	15
172A64-74300	55	21
172A64-74310	60	2
172A64-74320	60	20
172A64-74350	54	1
172A64-74360	53	6
	54	6
172A64-74370	54	14
172A64-74380	54	15
172A64-74390	53	1
172A64-74400	53	14
172A64-74410	53	16
172A64-74420	53	23
172A64-74430	52	2
172A64-74440	52	3
172A64-74450	52	5
172A64-74460	52	7
172A64-74470	52	14
172A64-74480	54	22
172A64-74490	57	19
172A64-74590	60	6
		25
172A64-74600	60	7
		26
172A64-74610	60	8
		27
172A64-74620	60	9
		28
172A64-74630	60	10
		29
172A64-74640	60	11
		30
172A64-74650	60	12
		31
172A64-74660	60	13
		32
172A64-74670	60	33
172A64-74680	60	14
		34
172A64-74800	61	2
172A64-74840	86	3
172A64-74860	86	4
172A64-74900	60	15
		35
172A64-74910	60	16
		36
172A64-74920	60	17
172A64-74930	60	18
		38
172A64-74940	60	39

PARTS No.	Fig.	Ref.No.
172A64-74950	60	37 -1
172A64-76101	64	2
172A64-76120	69	1
172A64-76140	69	2
172A64-76160	71	4
172A64-76200	66	1
172A64-76240	66	2
172A64-76250	72	1
172A64-76260	72	3
172A64-76600-1	72	4
172A64-76600-Y	72	4 -1
172A64-76630-1	72	5
172A64-76630-Y	72	5 -1
172A64-77800	75	2
172A64-78101	63	10
172A64-78120	63	11
172A64-78130	63	12
172A64-78140	63	13
172A64-78161	70	1
172A64-78170	70	2
172A64-78191	70	3
172A64-78200	70	4
172A64-78211	65	9
172A64-78212	65	9 -1
172A64-78221	73	8
172A64-78231	69	5
172A64-78250	65	10
172A64-78260	65	11
172A64-78261	65	11 -1
172A64-78270	67	8
172A64-78291	66	4
172A64-78301	66	5
172A64-78310	65	12
172A64-78330	68	1
172A64-78340	68	2
172A64-78350	65	13
172A64-78360	65	14
172A64-78371	65	15
172A64-78380	65	16
172A64-78391	66	6
172A64-78401	66	7
172A64-78411	66	8
172A64-78421	66	9
172A64-78441	64	6
172A64-78451	64	7
172A64-78460	64	9 A
172A64-78470	64	8
172A64-78481	64	9
172A64-78482	64	9 -1
172A64-78492	64	10

PARTS No.	Fig.	Ref.No.
172A64-78501	64	11
172A64-78511	64	12
172A64-78520	64	13
172A64-78530	64	14
172A64-78551	72	12
172A64-78570	72	13
172A64-78580	72	14
172A64-78590	72	9
172A64-78610	65	17
172A64-78611	65	17 -1
172A64-78612	65	17 -2
172A64-78620	63	14
172A64-78630	73	9
172A64-78640	73	10
172A64-78651	67	9
172A64-78671	73	15
172A64-78681	73	16
172A64-78700	73	11
172A64-78721	73	17
172A64-78730	73	18
172A64-78761	74	8
172A64-78810	74	9
172A64-78821	74	10
172A64-78830	74	11
172A64-78910	66	10
172A64-79111	74	12
172A64-79130	74	13
172A64-79140	74	14
172A64-79150	74	15
172A64-79160	74	16
172A64-79180	74	17
172A64-79191	74	18
172A64-79200	74	19
172A64-79270	87	10
172A64-79281	87	11
172A64-79290	87	12
172A64-79300	87	13
172A64-79310	87	14
172A64-79320	87	15
172A64-79330	87	16
172A64-79340	87	17
172A64-79350	87	18
172A64-79360	87	19
172A64-79370	87	20
172A64-79380	87	21
172A64-79390	87	22
172A64-79400	87	23
172A64-79410	87	24
172A64-79421	87	25
172A64-81100-1	77	2

PARTS No.	Fig.	Ref.No.
172A64-81100-Y	77	2 -1
172A64-81380-1	79	1
172A64-81380-Y	79	1 -1
172A64-81410-1	79	6
172A64-81411-1	79	6 -1
172A64-81411-Y	79	6 -2
172A64-81440-1	79	7
172A64-81441-1	79	7 -1
172A64-81441-Y	79	7 -2
172A64-81500-1	78	2
172A64-81500-Y	78	2 -1
172A64-82601	77	6
172A64-82620	43	44
172A64-82641	76	4
172A64-82650	46	29
172A64-82670	46	30
172A64-82730	77	7
172A64-82760	43	45
172A64-82790	77	8
172A64-82820	78	8
172A64-82850	79	8
	80	11
172A64-82880	79	9
	80	12
172A64-94100	81	3
172A64-94250	81	4
172A64-94260	81	5
172A64-94350	81	6
172A64-94370	81	7
172A69-46270	20	7 -1
172A77-17250	37	23
172A77-17500	37	24
172A77-46050	19	1 -1
	20	17 -1
172A78-74650	60	41
172A86-03310	1	22 -1
172B02-73860	89	8
172B02-73870	89	11
172B02-73880	89	12
178076-12400	42	8
184014-59510	9	51
184014-59650	9	50
184015-59130	9	42
184015-59140	9	44
184015-59250	9	46
184015-59260	9	48
194150-01190	23	1
194151-04141	8	2
194151-04150	8	3
194151-57100	12	27

PARTS No. INDEX

PARTS No.	Fig.	Ref.No.
194202-56460	66	12
	73	14
194250-04301	8	4
194250-04321	8	6
194327-45640	42	65 -1
194440-51620	14	12
194464-52190	12	26
		30
	14	2
194940-24350	30	12
194940-64750	10	3
1A1040-43900	25	1
1A1060-48300	17	7
		34
1A1380-62160	40	2
	84	7
1A6750-29850	42	19
1A7130-51130	11	4 A
1A7347-51200	11	17
1C6281-52310	5	7
	21	18
	22	6
	23	5
	24	12
	26	16
1D4070-23580	19	1
	20	17
1E1271-27620	42	9
1E6140-73420	16	6
	85	6
41851-000110	87	2
		4
		7
		9
772448-82530	80	20
772A64-37300-2	16	3
772A64-75100	62	1
933110-00301	13	6
933110-54100	21	28
	22	10
	23	10
	24	22
	26	31
933125-59600	43	41
	47	24
933126-38600	17	26
		53
933147-03400	43	57
	45	39
933152-03700	16	10

PARTS No.	Fig.	Ref.No.
933152-03700	85	10
933160-06711	77	16
	78	12
	79	13
	80	16
	81	14
933168-14170	43	58
	45	40
933168-55770	7	27
	9	4
		8
		12
		45
		49
		53
	11	13
	12	34
	14	16
	15	9
	73	23
933170-01490	5	14
933171-13691	17	27
		54
933171-15801	11	14

PARTS No.	Fig.	Ref.No.
-----------	------	---------

PARTS No.	Fig.	Ref.No.
-----------	------	---------

PARTS FINDER

**Search Website
by Part Number**



**Search Manual
Library For Parts
Manual & Lookup Part
Numbers – Purchase
or Request Quote**

**Can't Find Part or
Manual? Request Help
by Manufacturer,
Model & Description**

Discount-Equipment.com is your online resource for quality parts & equipment.

Florida: **561-964-4949** Outside Florida TOLL FREE: **877-690-3101**

Need parts?

Click on this link: <http://www.discount-equipment.com/category/5443-parts/> and choose one of the options to help get the right parts and equipment you are looking for. Please have the machine model and serial number available in order to help us get you the correct parts. If you don't find the part on the website or on one of the online manuals, please fill out the request form and one of our experienced staff members will get back to you with a quote for the right part that your machine needs.

We sell worldwide for the brands: Genie, Terex, JLG, MultiQuip, Mikasa, Essick, Whiteman, Mayco, Toro Stone, Diamond Products, Generac Magnum, Airman, Haulotte, Barreto, Power Blanket, Nifty Lift, Atlas Copco, Chicago Pneumatic, Allmand, Miller Curber, Skyjack, Lull, Skytrak, Tsurumi, Husquvarna Target, Stow, Wacker, Sakai, Mi-T-M, Sullair, Basic, Dynapac, MBW, Weber, Bartell, Bennar Newman, Haulotte, Ditch Runner, Menegotti, Morrison, Contec, Buddy, Crown, Edco, Wyco, Bomag, Laymor, EZ Trench, Bil-Jax, F.S. Curtis, Gehl Pavers, Heli, Honda, ICS/PowerGrit, IHI, Partner, Imer, Clipper, MMD, Koshin, Rice, CH&E, General Equipment, Amida, Coleman, NAC, Gradall, Square Shooter, Kent, Stanley, Tamco, Toku, Hatz, Kohler, Robin, Wisconsin, Northrock, Oztec, Toker TK, Rol-Air, APT, Wylie, Ingersoll Rand / Doosan, Innovatech, Con X, Ammann, Mecalac, Makinex, Smith Surface Prep, Small Line, Wanco, Yanmar