

# BOMAG

## FAYAT GROUP

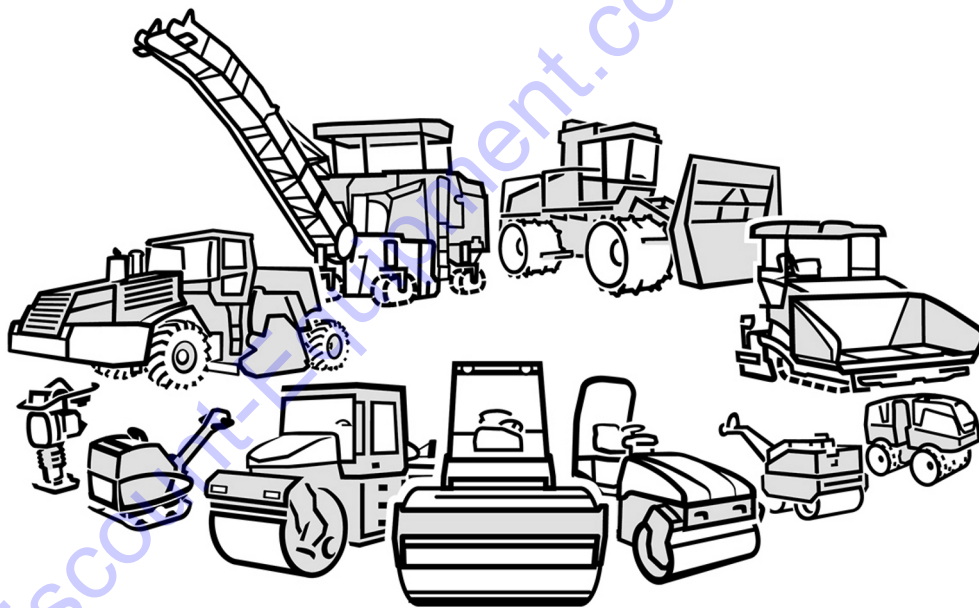
### Spare Parts Catalogue

---

**BPR 70/70 D**

---

S/N 101692631001 > 101692635483  
HATZ



---

**Vibratory plate compactor**

---



[www.discount-equipment.com](http://www.discount-equipment.com)

Catalogue number -  
**00824329**

**01.04.2013 - 01.08.2018**

# PARTS FINDER

**Search Website  
by Part Number**



**Search Manual  
Library For Parts  
Manual & Lookup Part  
Numbers – Purchase  
or Request Quote**

**Search Manuals**

Enter your information to help us find the right parts manual for your equipment.

\* Brand:

\* Model:

\* Serial:

\* Part Number:

SEARCH

**Can't Find Part or  
Manual? Request Help  
by Manufacturer,  
Model & Description**

**Parts Order Form**

Please fill in the following information to help us find the right part for your equipment.

Manufacturer:	<input type="text"/>
Model:	<input type="text"/>
Description:	<input type="text"/>
Part Number:	<input type="text"/>
Quantity:	<input type="text"/>
Notes:	<input type="text"/>

Discount-Equipment.com is your online resource for quality parts & equipment.

Florida: **561-964-4949** Outside Florida TOLL FREE: **877-690-3101**

**Need parts?**

Click on this link: <http://www.discount-equipment.com/category/5443-parts/> and choose one of the options to help get the right parts and equipment you are looking for. Please have the machine model and serial number available in order to help us get you the correct parts. If you don't find the part on the website or on one of the online manuals, please fill out the request form and one of our experienced staff members will get back to you with a quote for the right part that your machine needs.

We sell worldwide for the brands: Genie, Terex, JLG, MultiQuip, Mikasa, Essick, Whiteman, Mayco, Toro Stone, Diamond Products, Generac Magnum, Airman, Haulotte, Barreto, Power Blanket, Nifty Lift, Atlas Copco, Chicago Pneumatic, Allmand, Miller Curber, Skyjack, Lull, Skytrak, Tsurumi, Husquvarna Target, Stow, Wacker, Sakai, Mi-T-M, Sullair, Basic, Dynapac, MBW, Weber, Bartell, Bennar Newman, Haulotte, Ditch Runner, Menegotti, Morrison, Contec, Buddy, Crown, Edco, Wyco, Bomag, Laymor, EZ Trench, Bil-Jax, F.S. Curtis, Gehl Pavers, Heli, Honda, ICS/PowerGrit, IHI, Partner, Imer, Clipper, MMD, Koshin, Rice, CH&E, General Equipment, Amida, Coleman, NAC, Gradall, Square Shooter, Kent, Stanley, Tamco, Toku, Hatz, Kohler, Robin, Wisconsin, Northrock, Oztec, Toker TK, Rol-Air, APT, Wylie, Ingersoll Rand / Doosan, Innovatech, Con X, Ammann, Mecalac, Makinex, Smith Surface Prep, Small Line, Wanco, Yanmar

© 06/2019 Bomag GmbH

The reproduction, distribution and utilization of this document as well as the communication of its contents to others without express authorization is prohibited. Offenders will be held liable for the payment of damages. All rights reserved in the event of the grant of a patent, utility model or design.

Go to [Discount-Equipment.com](http://Discount-Equipment.com) to order your parts

**EN**

**GENERAL INFORMATIONS**



**PLEASE FILL IN WHEN RECEIVING THE MACHINE**

TYPE \_\_\_\_\_

SERIAL-NUMBER \_\_\_\_\_

ENGINE-TYPE \_\_\_\_\_

DATE OF DELIVERY \_\_\_\_\_

ENGINE-NUMBER \_\_\_\_\_

Only the use of BOMAG GENUINE PARTS guarantees the correct function of the machine. The use of nonoriginal spare parts results in the loss of all claims, regarding warranty as well as product liability.

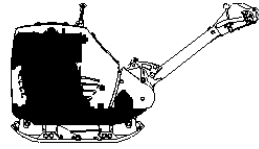
The relevant sales terms and delivery conditions are valid for all spare parts deliveries.

We reserve the right for technical modifications without prior notification.

**PLEASE STATE THE FOLLOWING WHEN ORDERING SPARE PARTS:**

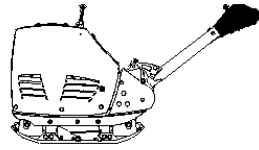
- machine type**
- Serial number (e.g. 101 400 04 1001)**
- Engine type and number resp. component number**
- Part number**
- Quantity**
- Designation**

Engine / Fitting Parts



10

Power Transmission / Actuation



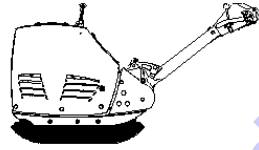
20

Frame with Attachment Parts



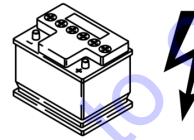
50

Plate / Foot



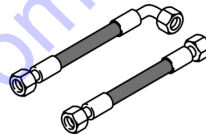
65

Electrical System



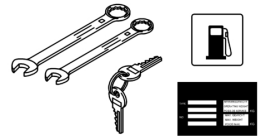
80

Hydraulic



90

Accessories



100

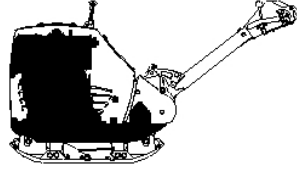
Special Equipment

**Option**

110

Go to Discount-Equipment.com to order your parts

Engine / Fitting Parts



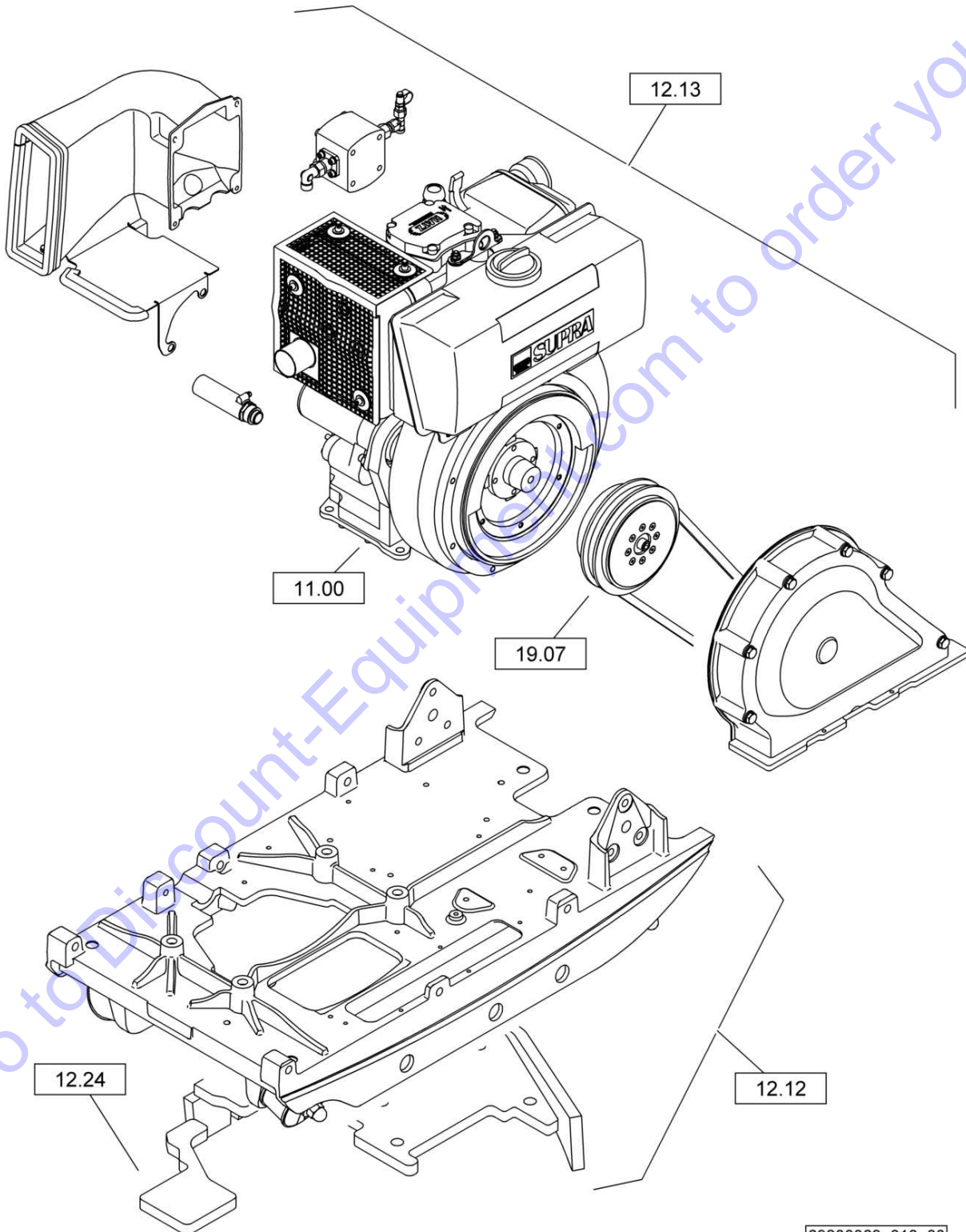
**10**

Go to [Discount-Equipment.com](http://Discount-Equipment.com) to order your parts

10.00

Engine / Fitting Parts

Page /




69200063\_010\_00

**Pos. Description**

- 11.00 Engine Parts List
- 11.01 Crankcase
- 11.02 Front Cover
- 11.05 Cylinder And Piston
- 11.06 Crankshaft
- 11.08 Cylinder Head
- 11.09 Camshaft
- 11.10 Control Pieces
- 11.21 Fuel Tank
- 11.22 Dry Air Filter
- 11.23 Suction Pipe And Exhaust
- 11.25 Throttle Control
- 11.30 Cooling Air Duct
- 11.32 Cranking Device
- 11.34 Generator And Starter
- 11.38 Connecting Housing
- 11.45 Hydraulic Pump
- 11.47 Seal Kit
- 11.49 Emergency Kit
- 11.51 Boost Fuel Supply
- 11.54 Mech. Automatatic Cut-Off
- 11.65 Lub. Oil Pump, Governor
- 12.12 Engine Carrier
- 12.13 Engine
- 12.24 Noise Insulation Kit
- 19.07 Centrifugal Clutch


Go to Discount-Equipment.com to order your parts



	Engine no.
<b>11.00</b>	S/N 732613185581 ▶
Page <b>1 / 1</b>	<b>Engine Parts List</b>
 <b>BOMAG</b> FAYAT GROUP	

**For this catalogue group no illustration.**

[Go to Discount-Equipment.com](https://www.discount-equipment.com) to order your parts

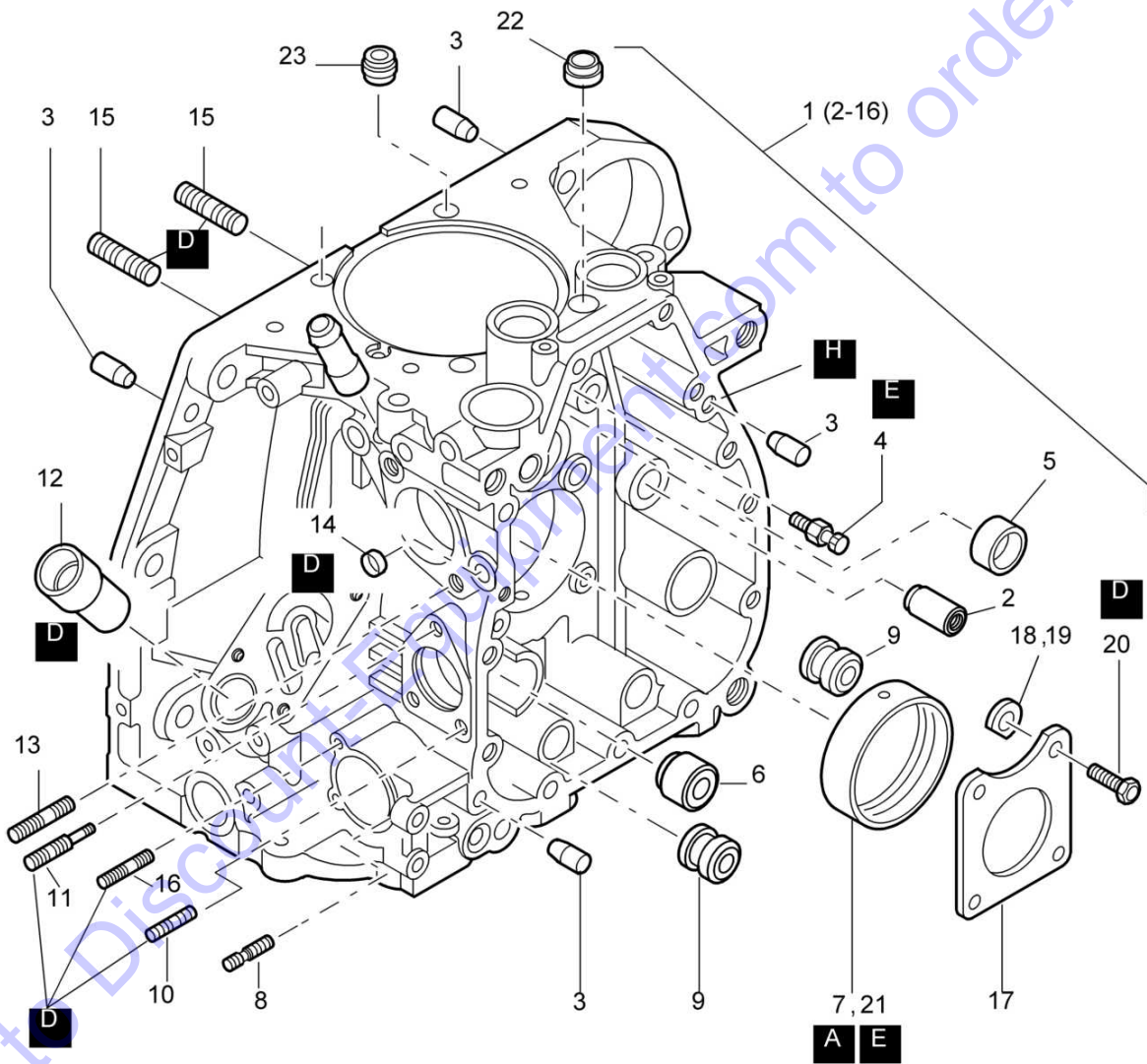
Engine no.	
S/N 732613185581 ▶	
<b>Engine Parts List</b>	<b>11.00</b>
	Page 1 / 1
	
1001 E	


**Pos. Part no. Qty. Description**

1 05706413 1 Diesel engine

Go to Discount-Equipment.com to order your parts

	Engine no.
<b>11.01</b>	S/N 732613185581 ▶
Page <b>1 / 2</b>	<b>Crankcase</b>
<b>BOMAG</b> FAYAT GROUP	MOT010116_000_00



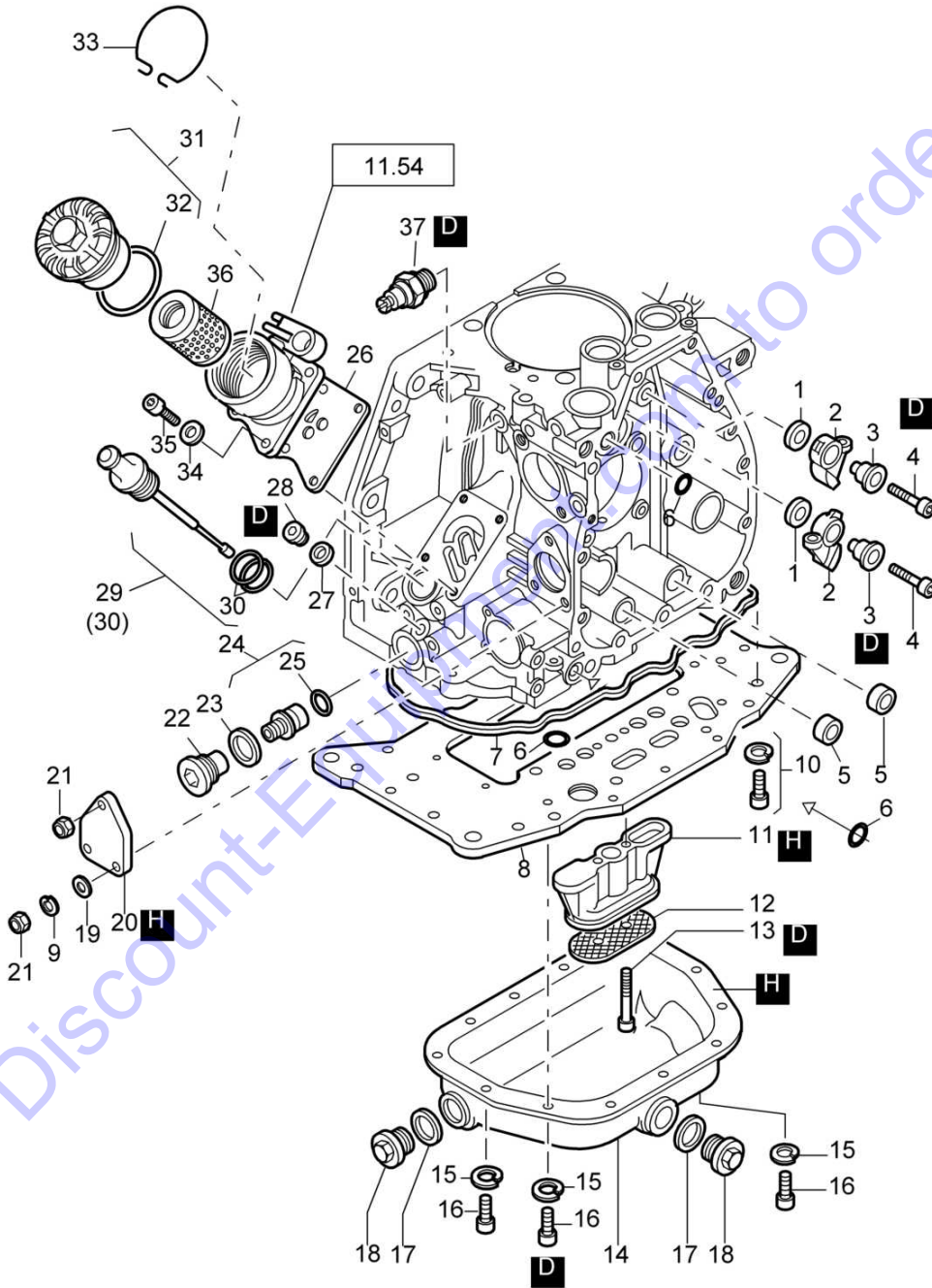
Engine no.	
S/N 732613185581 ▶	
<b>Crankcase</b>	<b>11.01</b>
	Page <b>1 / 2</b>
	MOT010116 1001 E 


**Pos. Part no. Qty. Description**

1	05728769	1	Crankcase
2	05720003	1	>Bushing ø15mm
3	05723458	4	>Pin,cylindric
4	05722615	1	>Spray nozzle
5	05722450	1	>Bearing bush
6	05722616	1	>Plug ø22mm
7	05722832	1	>Main bearing
8	07510610	1	>Pin screw
9	05722022	1	>Plug
10	07510604	2	>Pin screw
11	05722549	1	>Pin screw
12	05722617	1	>Connecting piece
13	07510816	2	>Pin screw
14	08520110	1	>Cover
15	07510813	8	>Pin screw
16	07510610	2	>Pin screw
17	05722379	1	Stop disc
18	05722380	1	Shim 1,05 mm
19	05722381	1	Shim 1,20 mm
20	05722382	4	Hexagon bolt
21	05722323	1	Main bearing
22	2) 05722709	2	Seal
23	05728482	2	Seal
			Auxiliaries
30	00978030	1	Loctite A
31	00978006	1,00 kg	Screw lock, middle strength D
32	00978000	1,00 kg	Adhesive,heat resisting E
33	00970017	1	Sealing compound H
		2)	Incl. in gasket set for 1 cylinder head

Go to Discount-Equipment.com to order your parts

	Engine no.
<b>11.01</b>	S/N 732613185581 ▶
Page <b>2 / 2</b>	<b>Crankcase</b>
<b>BOMAG</b> FAYAT GROUP	MOT010117_000_00



Engine no.	
S/N 732613185581 ▶	
<b>Crankcase</b>	<b>11.01</b>
	Page <b>2 / 2</b>
	 <b>BOMAG</b> FAYAT GROUP
MOT010117 1001 E	

Pos.	Part no.	Qty.	Description
1	05722033	2	Washer
2	05722035	2	Cam follower
3	05722034	2	Axle
4	05723460	2	Socket-head cap screw
5	4) 05722415	2	Square ring
6	4) 06220018	3	Loop ring
7	4) 05722416	1	Square ring
8	05722036	1	Base plate
9	08720611	2	Spring washer
10	05722759	22	Bolt and spring washer
11	05722037	1	Suction housing
12	05722038	1	Suction strainer
13	07240636	2	Socket-head cap screw
14	05722444	1	Oil pan
15	08720611	12	Spring washer
16	07230602	12	Socket-head cap screw
17	1) 09331198	2	Sealing ring 4)
18	07642215	2	Screw plug
19	08510612	2	Washer
20	05722385	1	Cover
21	08330610	3	Safety nut
22	05728483	1	Screw plug
23	4) 09331218	1	Sealing ring
24	05720005	1	Oil pressure vale
25	4) 05728484	1	>Loop ring
26	4) 05722779	1	Gasket
27	4) 09331088	2	Sealing ring
28	07621010	2	Screw plug
29	05722316	1	Oil dip stick
30	4) 06220019	2	>Loop ring
31	05722250	1	Cover
32	05722258	2	Square ring
33	1) 05722623	1	Pressure spring 4)
		1)	Incl. in maintenance kit
		4)	Incl. in gasket set crankcase

continued

Engine no.

S/N 732613185581 ▶

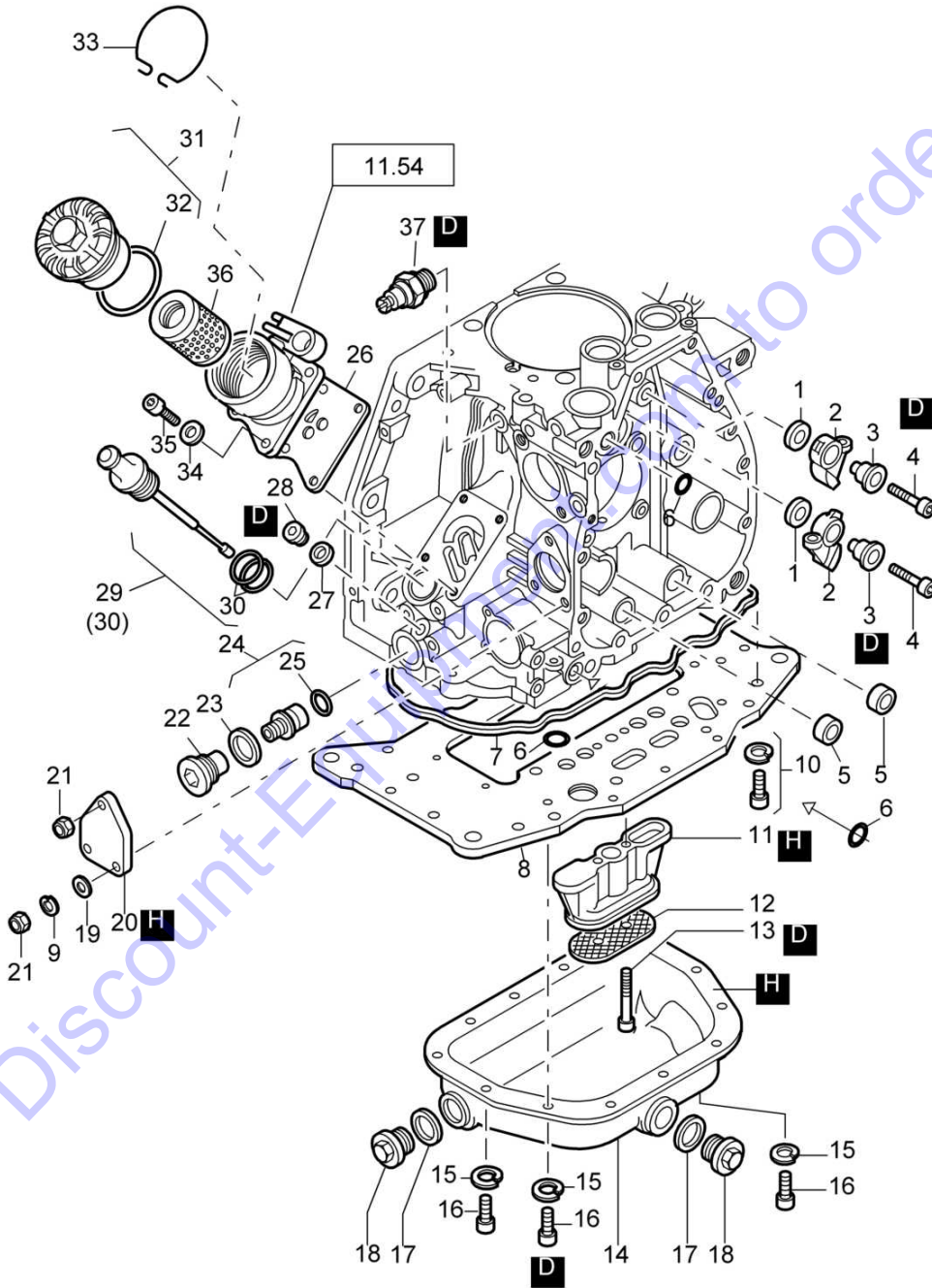
**11.01**

**Crankcase**


Page **2 / 2**



MOT010117\_000\_00



mot010117\_000

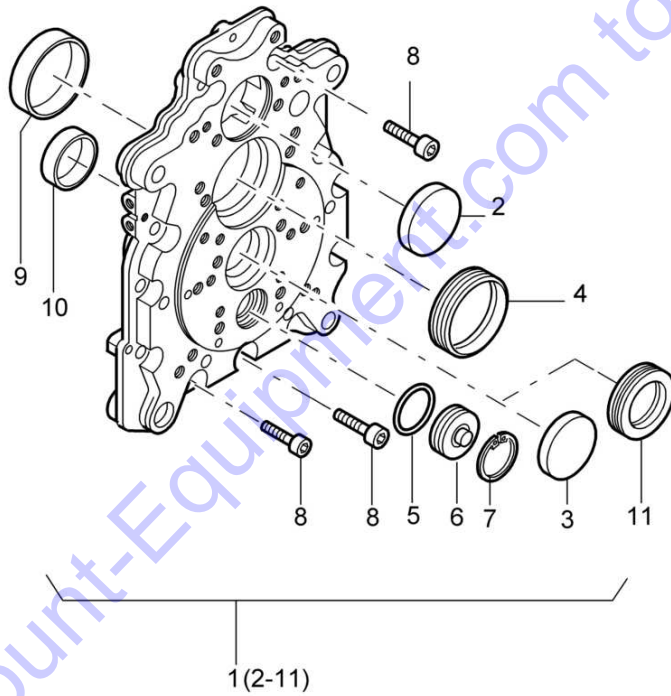
Engine no.	
S/N 732613185581 ▶	
<b>Crankcase</b>	<b>11.01</b>
	Page <b>2 / 2</b>
	 <b>BOMAG</b> FAYAT GROUP
MOT010117 1001 E	


Pos.	Part no.	Qty.	Description
34	08641064	4	Spring washer
35	07230613	4	Socket-head cap screw
36	1) 05727382	1	Filter cartridge,eng.oil
37	05723469	1	Oil pressure switch
			Auxiliaries
40	00978006	1,00 kg	Screw lock, middle strength D
41	00970017	1	Sealing compound H
		1)	Incl. in maintenance kit

Go to Discount-Equipment.com to order your parts



	Engine no.
<b>11.02</b>	S/N 732613185581 ▶
Page <b>1 / 1</b>	<b>Front Cover</b>
<b>BOMAG</b> FAYAT GROUP	MOT010124_000_00



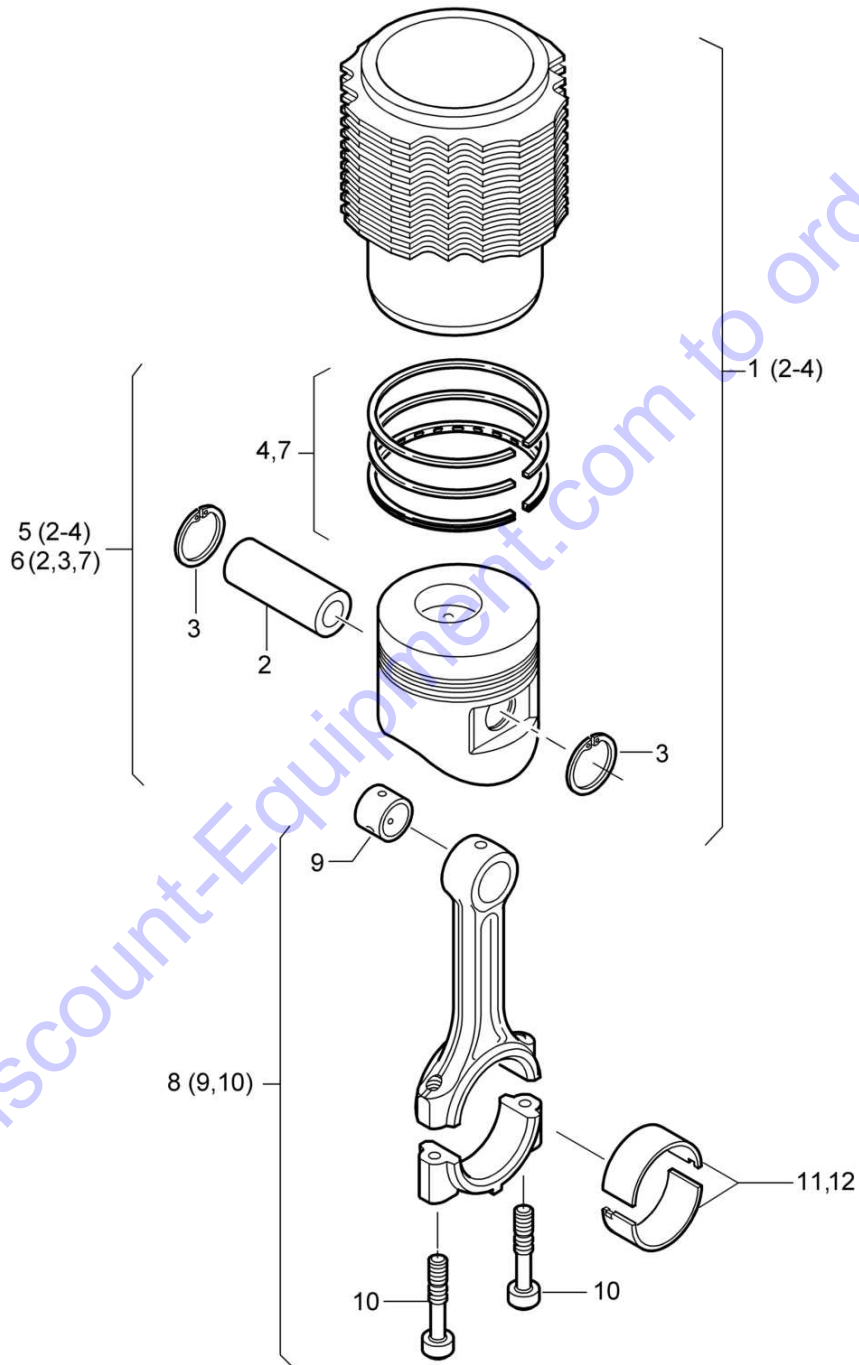
Engine no.	
S/N 732613185581 ▶	
Front Cover	<b>11.02</b>
	Page 1 / 1
	MOT010124 1001 E 


Pos.	Part no.	Qty.	Description
1	05723444	1	Timing gear cover
2	08520150	1	>Cover
3	08520152	1	>Cover
4	4) 09312990	1	>Radial seal
5	4) 06220014	1	>Loop ring
6	05722041	1	>Cover
7	05722042	1	>Circlip,external
8	07230822	13	>Socket-head cap screw
9	05722451	1	>Bearing bush
10	05720004	1	>Bearing bush
11	09312011	1	>Radial seal

4) Incl. in gasket set crankcase

Go to Discount-Equipment.com to order your parts

	Engine no.
<b>11.05</b>	S/N 732613185581 ▶
Page <b>1 / 1</b>	<b>Cylinder And Piston</b>
<b>BOMAG</b> FAYAT GROUP	MOT015617_000_00

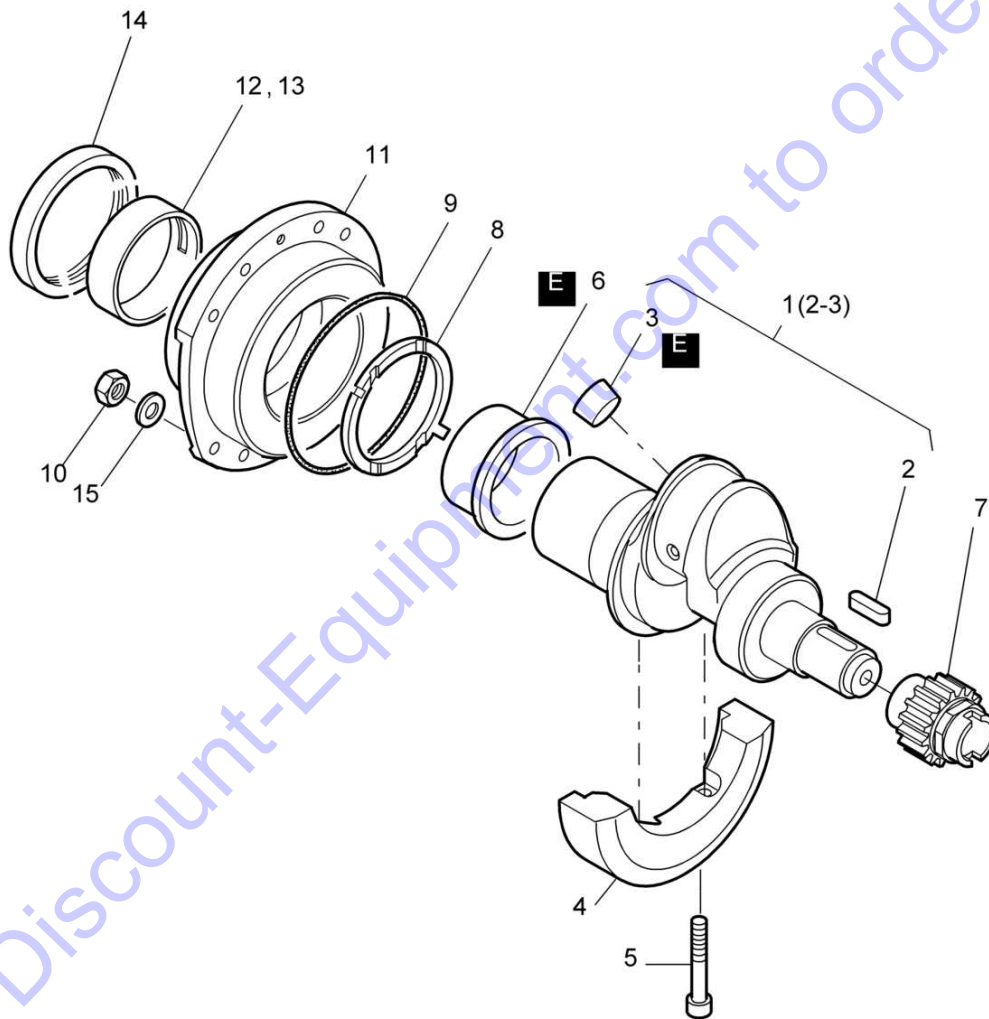



Engine no.	
S/N 732613185581 ▶	
Cylinder And Piston	<b>11.05</b>
	Page 1 / 1
	MOT015617 1001 E 

Pos.	Part no.	Qty.	Description
1	05720383	1	Cylinder and piston
2	05728505	1	>Floating wrist pin
3	05720488	2	>Circlip
4	05720380	1	>Piston ring set
5	05720377	1	Piston
6	05720378	1	Piston +0,5mm
7	05720381	1	Piston ring set +0,5mm
8	05722722	1	Conrod
9	05722332	1	>Conrod bush
10	05722723	2	>Conrod screw
11	05722288	1	Conrod bearing
12	05722333	1	Conrod bearing -0,5mm

Go to Discount-Equipment.com to order your parts

	Engine no.
<b>11.06</b>	S/N 732613185581 ▶
Page <b>1 / 1</b>	<b>Crankshaft</b>
<b>BOMAG</b> FAYAT GROUP	MOT010118_000_00



Engine no.	
S/N 732613185581 ▶	
<b>Crankshaft</b>	<b>11.06</b>
	Page <b>1 / 1</b>
	MOT010118 1001 E 

Pos.	Part no.	Qty.	Description
1	05723445	1	Crankshaft
2	09181308	1	>Fitting key
3	08520128	1	>Cover
4	05722024	1	>Counter weight
5	05720284	2	Socket-head cap screw
6	05722760	1	Protection sleeve
7	05720006	1	Gear wheel
8	05722026	1	Stop disc
9	4) 06220000	1	Loop ring
10	08110813	8	Hexagon nut
11	05724209	1	Flange,bearing
12	05722283	1	Main bearing
13	05722335	1	Main bearing -0,5mm
14	4) 09313341	1	Radial seal
15	08510817	8	Washer
20	00978000	1,00 kg	Auxiliaries Adhesive,heat resisting E
		4)	Incl. in gasket set crankcase

Go to Discount-Equipment.com to order your parts

Engine no.

S/N 732613185581 ▶

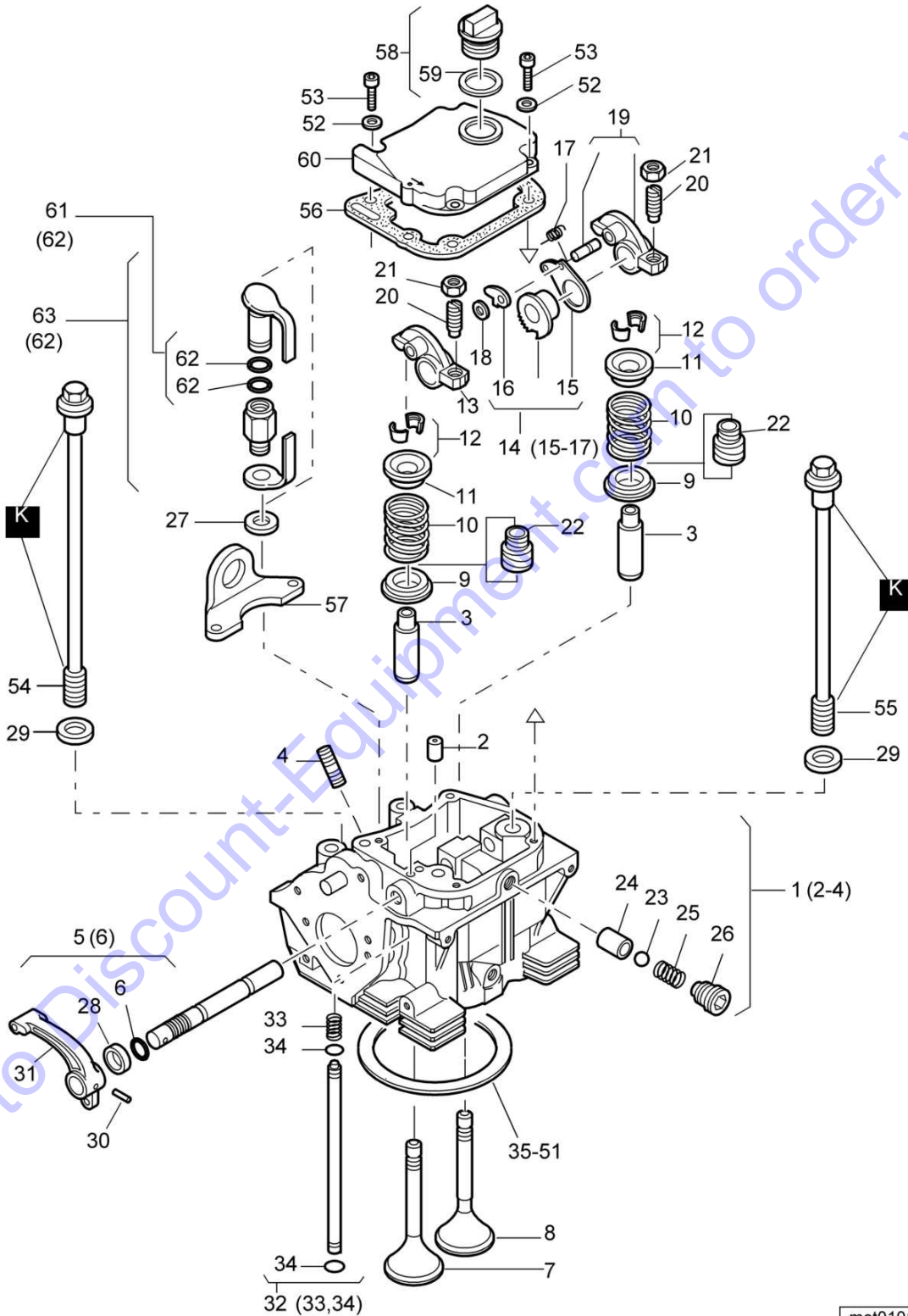
**11.08**

**Cylinder Head**


Page **1 / 1**



MOT010121\_000\_00



mot010121\_000

Engine no.	
S/N 732613185581 ▶	
Cylinder Head	<b>11.08</b>
	Page <b>1 / 1</b>
	MOT010121 1001 E 

**Pos. Part no. Qty. Description**

1	05728771	1	Cylinder head
2	05722729	1	>Pin nozzle ø8mm
3	05722290	2	>Valve guide
4	07510829	1	>Pin screw
5	05722725	1	Rocker lever axle
6	2) 06220083	1	>Loop ring
7	05722726	1	Valve cone,inlet
8	05722622	1	Valve cone,outlet
9	05722727	2	Washer
10	05722294	2	Valve spring
11	05722295	2	Spring cup
12	05722456	2	Valve cone pair
13	05722389	1	Rocker lever,inlet
14	05728523	1	Gear wheel
15	05722503	1	Spring plate
16	05722482	1	>Catch
17	05724317	1	>Yoke spring
18	05727272	1	Safety washer
19	05722393	1	Rocker lever,outlet
20	05722513	2	Setscrew
21	1) 05723252	2	Hexagon nut
22	2) 05722428	2	Valve stem seal
23	05340080	1	Ball 7mm
24	05722517	1	Bushing
25	05722044	1	Pressure spring
26	05722481	1	Setscrew
27	2) 09331108	1	Sealing ring
28	2) 05722419	1	Square ring
29	05722394	4	Washer
30	09150410	1	Dowel pin
31	05722373	1	Handle
32	05722346	1	Oil pressure line
33	05722045	1	Pressure spring
		1)	Incl. in maintenance kit
		2)	Incl. in gasket set for 1 cylinder head

continued



Engine no.

S/N 732613185581 ▶

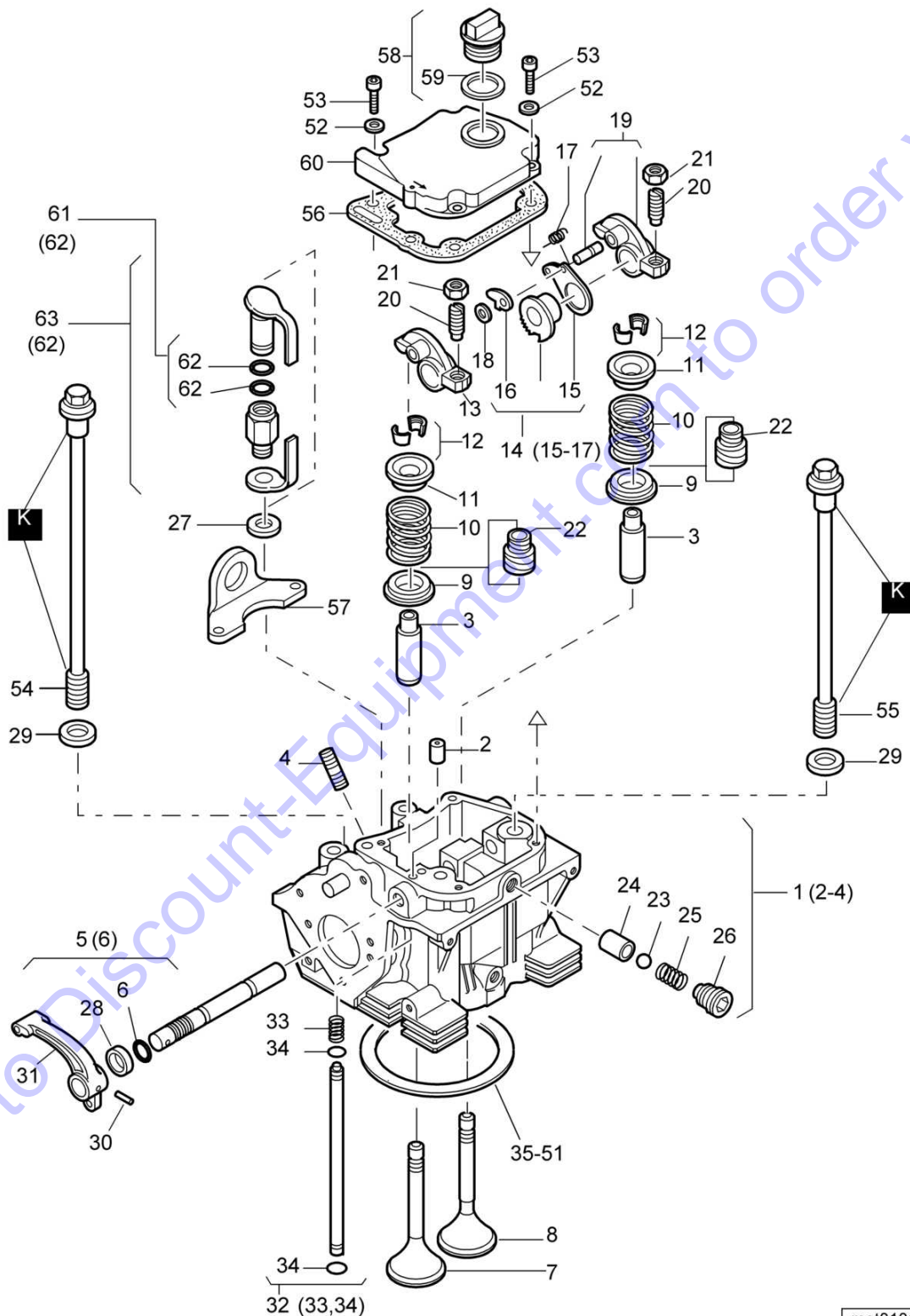
# 11.08

## Cylinder Head


Page 1 / 1



MOT010121\_000\_00



mot010121\_000

Engine no.	
S/N 732613185581 ▶	
<b>Cylinder Head</b>	<b>11.08</b>
	Page <b>1 / 1</b>
	MOT010121 1001 E 

Pos.	Part no.	Qty.	Description
------	----------	------	-------------

34	2) 06220017	2	Loop ring
35	05722349	1	Cylinder head gasket 0,50mm
36	05720664	1	Cylinder head gasket 0,55mm
37	05722350	1	Cylinder head gasket 0,60mm
38	05720665	1	Cylinder head gasket 0,65mm
39	2) 05722353	1	Cylinder head gasket 0,70mm
40	05720666	1	Cylinder head gasket 0,75mm
41	2) 05722363	1	Cylinder head gasket 0,80mm
42	05720667	1	Cylinder head gasket 0,85mm
43	2) 05722364	1	Cylinder head gasket 0,90mm
44	05720668	1	Cylinder head gasket 0,95mm
45	05722365	1	Cylinder head gasket 1,00mm
46	05720669	1	Cylinder head gasket 1,05mm
47	05722366	1	Cylinder head gasket 1,10mm
48	05720670	1	Cylinder head gasket 1,15mm
49	05722367	1	Cylinder head gasket 1,20mm
50	05720671	1	Cylinder head gasket 1,25mm
51	05722368	1	Cylinder head gasket 1,30mm

2) Incl. in gasket set for 1 cylinder head

continued

Go to Discount-Equipment.com to order your parts

Engine no.

S/N 732613185581 ▶

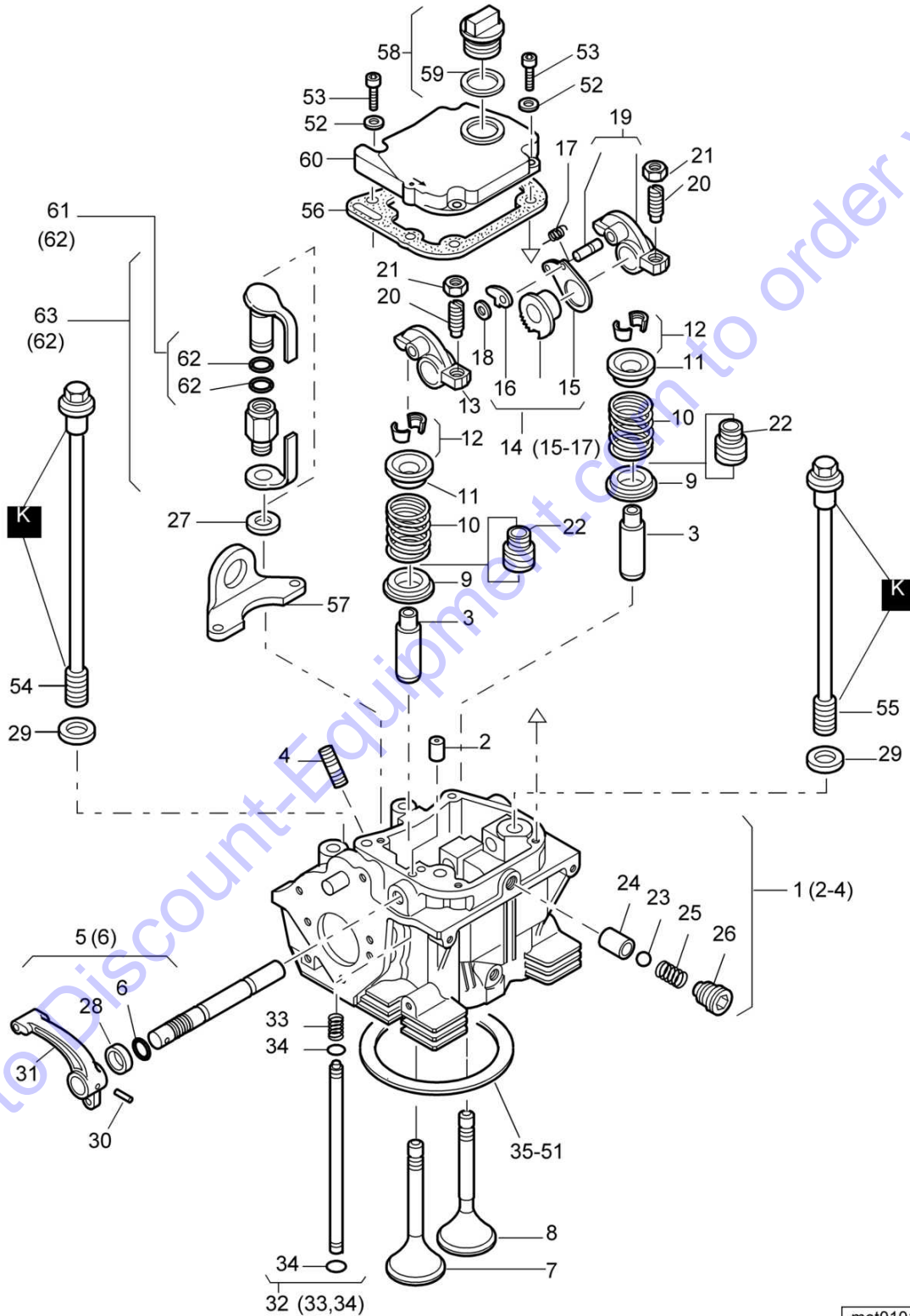
**11.08**

**Cylinder Head**


Page **1 / 1**



MOT010121\_000\_00




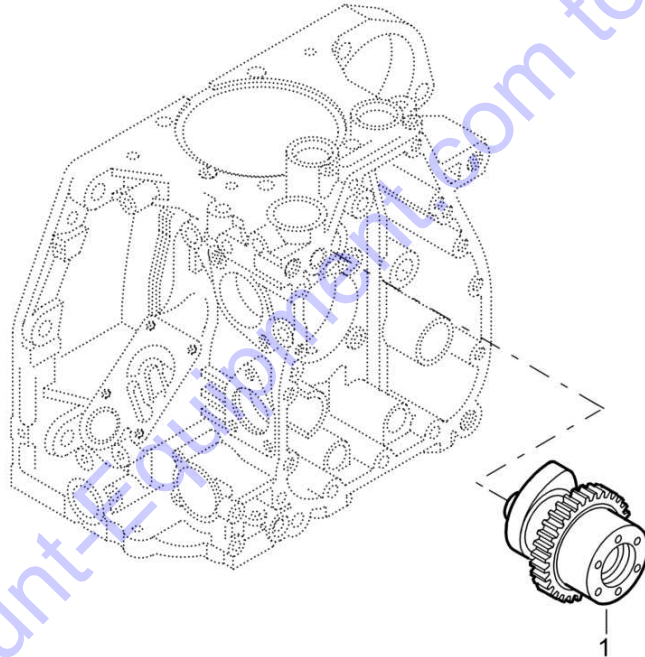
mot010121\_000


Engine no.	
S/N 732613185581 ▶	
<b>Cylinder Head</b>	<b>11.08</b>
	Page <b>1 / 1</b>
	MOT010121 1001 E 

Pos.	Part no.	Qty.	Description
52	3) 08641064	4	Spring washer
53	3) 07230621	4	Socket-head cap screw
54	05722296	2	Cylinder head bolt 305mm
55	05722297	2	Cylinder head bolt 258mm
56	1) 05722391	1	Gasket 2)
57	05722471	1	Suspension angle
58	05728780	1	Screw plug
59	05728114	2	>Sealing ring
60	05821237	1	Cover
61	3) 05722510	1	Plug
62	2) 06220123	2	>Loop ring
63	05722511	1	Dosing device
64	05721037	1	Auxiliaries Grease,special K
		3)	Incl. in emergency kit
		1)	Incl. in maintenance kit
		2)	Incl. in gasket set for 1 cylinder head

Go to Discount-Equipment.com to order your parts

	Engine no.
<b>11.09</b>	S/N 732613185581 ▶
Page <b>1 / 2</b>	<b>Camshaft</b>
 <b>BOMAG</b> FAYAT GROUP	MOT015922_000_00




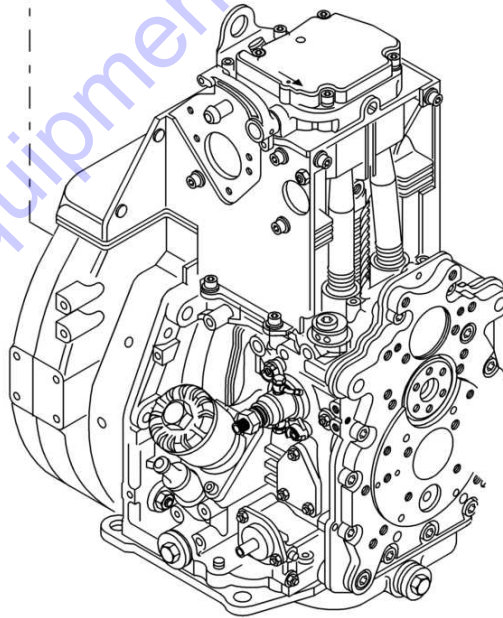
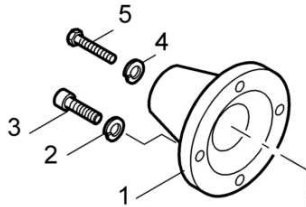
Engine no.	
S/N 732613185581 ▶	
<b>Camshaft</b>	<b>11.09</b>
	Page <b>1 / 2</b>
	 <b>BOMAG</b> FAYAT GROUP
MOT015922 1001 E	

**Pos. Part no. Qty. Description**


1 05720673 1 Camshaft

Go to Discount-Equipment.com to order your parts

	Engine no.
<b>11.09</b>	S/N 732613185581 ▶
Page <b>2 / 2</b>	<b>Camshaft</b>
 <b>BOMAG</b> FAYAT GROUP	MOT010135_000_00



Go to [Discount-Equipment.com](http://Discount-Equipment.com) to order your parts

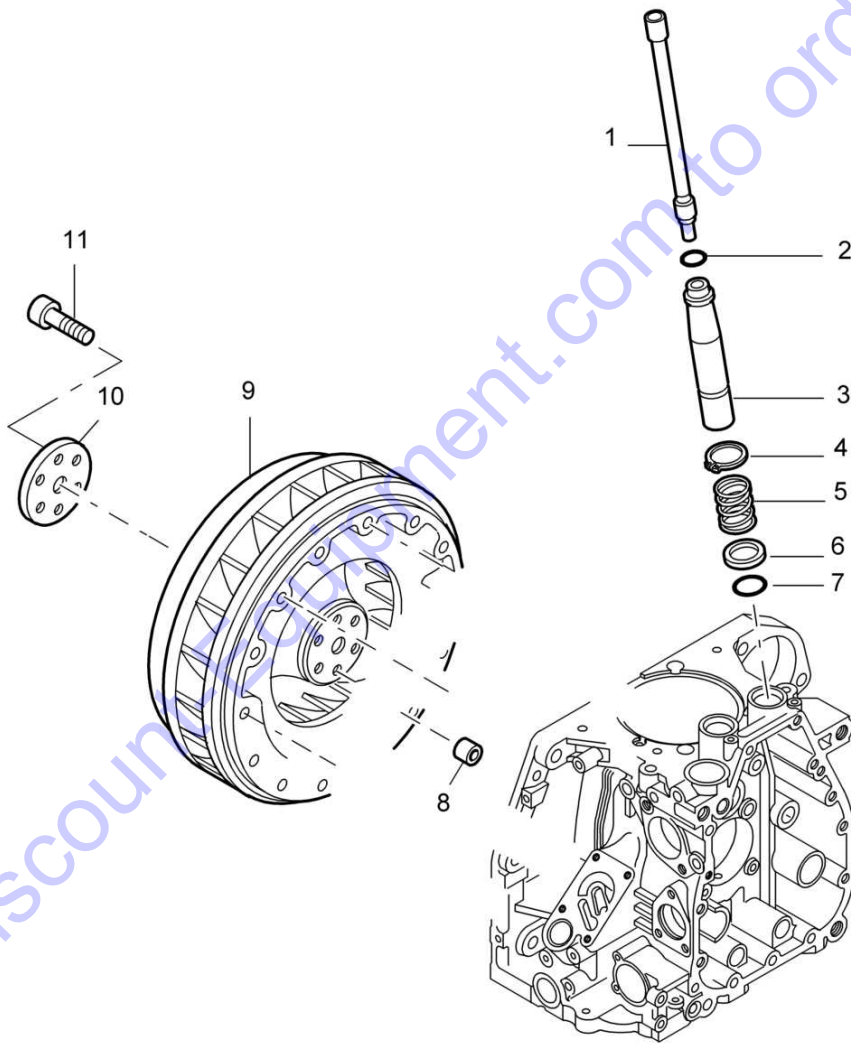
Engine no.	
S/N 732613185581 ▶	
<b>Camshaft</b>	<b>11.09</b>
	Page <b>2 / 2</b>
	 <b>BOMAG</b> FAYAT GROUP
MOT010135 1001 E	


Pos.	Part no.	Qty.	Description
1	05722708	1	Flange
2	08720814	4	Spring washer
3	07230819	4	Socket-head cap screw
4	08642125	1	Spring washer
5	07131240	1	Hexagon bolt

Go to Discount-Equipment.com to order your parts



	Engine no.
<b>11.10</b>	S/N 732613185581 ▶
Page <b>1 / 1</b>	<b>Control Pieces</b>
<b>BOMAG</b> FAYAT GROUP	MOT010122_000_00



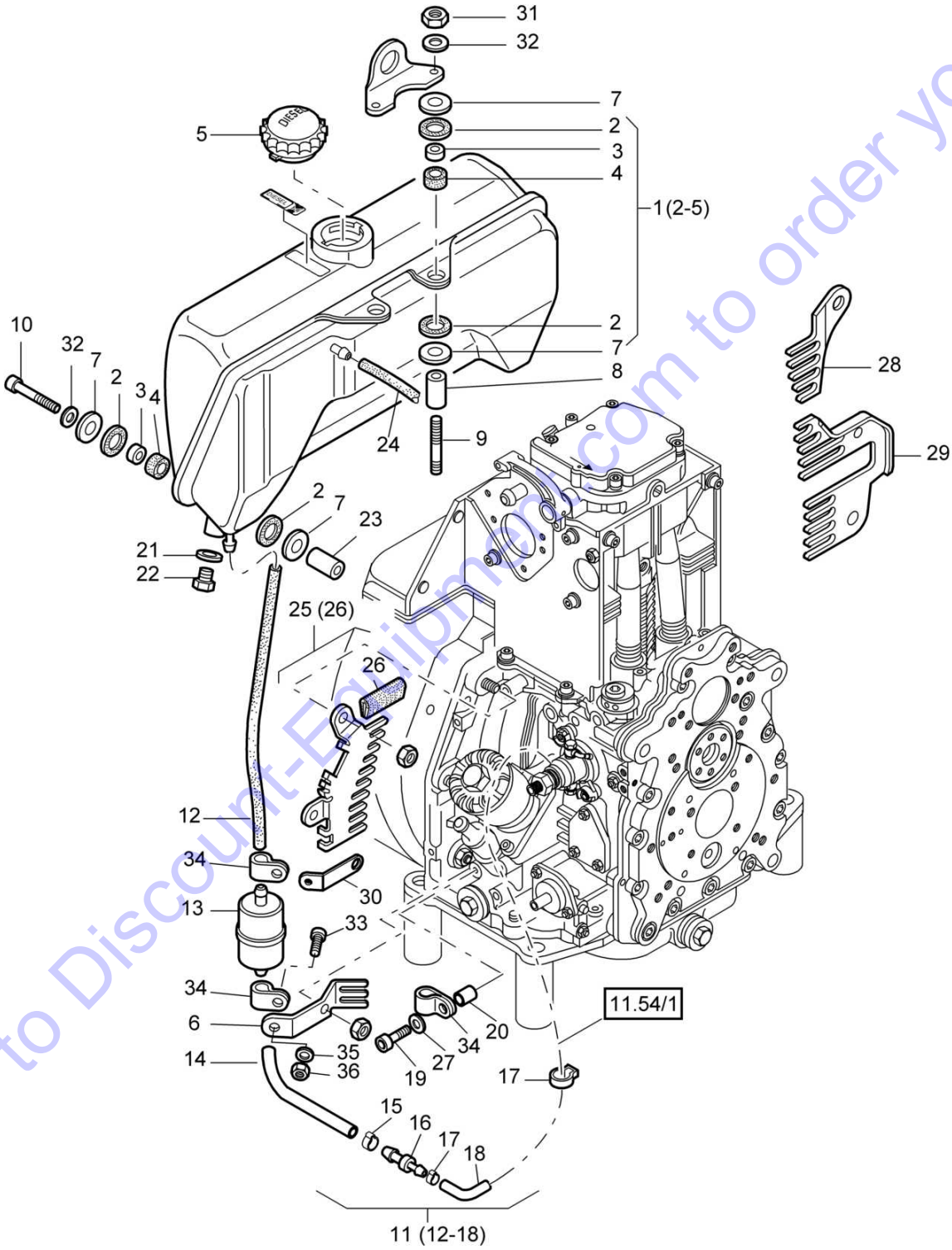
Engine no.	
S/N 732613185581 ▶	
<b>Control Pieces</b>	<b>11.10</b>
	Page <b>1 / 1</b>
	 <b>BOMAG</b> FAYAT GROUP
MOT010122 1001 E	


Pos.	Part no.	Qty.	Description
1	05722396	2	Push rod
2	2) 06220015	2	Loop ring
3	05722515	2	Protection tube
4	3) 05722520	2	Circlip,external
5	05722516	2	Pressure spring
6	05722514	2	Thrust ring
7	2) 06220016	2	Loop ring
8	05725102	1	Shearing bush
9	05722458	1	Flywheel
10	05722030	1	Washer
11	07231304	6	Socket-head cap screw

- 2) Incl. in gasket set for 1 cylinder head  
3) Incl. in emergency kit

Go to Discount-Equipment.com to order your parts

	Engine no.
	S/N 732613185581 ▶
<b>11.21</b>	<b>Fuel Tank</b>
Page <b>1 / 1</b>	
<b>BOMAG</b> FAYAT GROUP	MOT010128_000_00



Engine no.	
S/N 732613185581 ▶	
<b>Fuel Tank</b>	<b>11.21</b>
	Page 1 / 1
MOT010128 1001 E	

Pos.	Part no.	Qty.	Description
1	05728829	1	Fuel tank 10 ltr.
2	05722459	12	>Washer
3	05722755	6	>Bushing
4	05722460	6	>Rubber sleeve
5	3) 05722371	1	>Tank cover
6	05722752	1	Protective device
7	05722751	12	Washer
8	05722473	2	Bushing
9	07510861	2	Pin screw
10	07230831	4	Socket-head cap screw
11	05720424	1	Fuel filter cpl.
12	05720422	1	>Fuel pipe
13	1) 05727894	1	>Filter,fuel
14	05720423	1	>Fuel pipe
15	05723554	1	>Hose clip
16	05720676	1	>Double nipple
17	05720677	1	>Hose clip
18	05720678	1	>Fuel pipe
19	07230623	1	Socket-head cap screw
20	05728441	1	Bushing
21	09331678	1	Sealing ring
22	05728541	1	Screw
23	05722533	4	Bushing
24	05720679	1	Fuel pipe
25	05722753	1	Protective device
26	05722564	1	>Sealing strip 29mm
27	08720611	1	Spring washer
28	05724219	1	Protective device
29	05723988	1	Protective device
30	05722536	1	Angle
31	08110813	2	Hexagon nut
32	08720814	6	Spring washer
33	07230605	2	Socket-head cap screw
34	05722977	3	Tube clamp
35	08510612	1	Washer
36	08110620	2	Hexagon nut
		3)	Incl. in emergency kit
		1)	Incl. in maintenance kit

Go to [DountEquipment.com](http://DountEquipment.com) to order your parts

Engine no.

S/N 732613185581 ▶

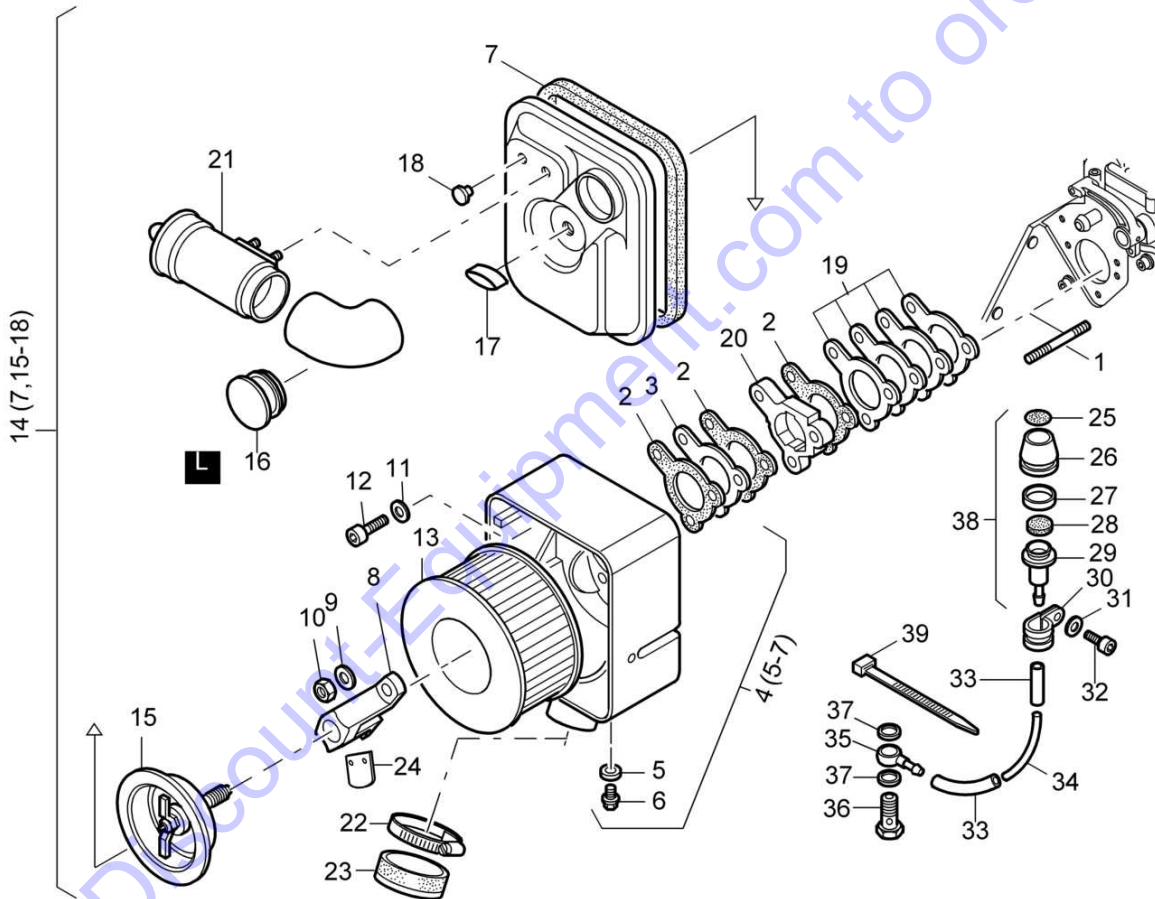
# 11.22

## Dry Air Filter


Page 1 / 1



MOT015618\_000\_00



mot015618\_000

Engine no.	
S/N 732613185581 ▶	
Dry Air Filter	<b>11.22</b>
	Page <b>1 / 1</b>
	MOT015618 1001 E 

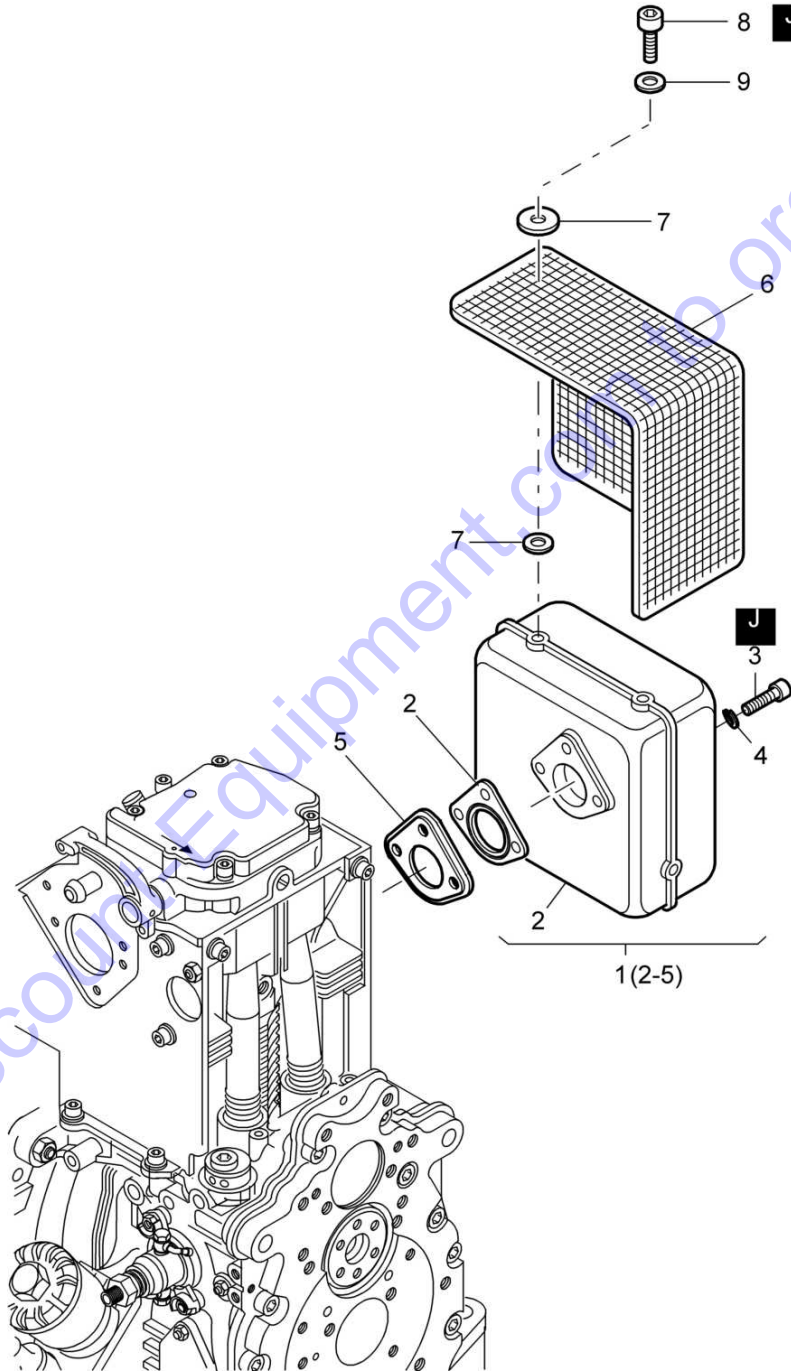
Pos.	Part no.	Qty.	Description
1	07510848	2	Pin screw
2	2) 05722299	3	Gasket
3	05722424	1	Insulating flange
4	05723447	1	Air filter housing
5	09331088	1	>Sealing ring
6	07621010	1	>Screw plug
7	05722300	1	>Sealing strip 705mm
8	05722066	1	Holder
9	08510817	2	Washer
10	08130813	2	Safety nut
11	08641084	1	Spring washer
12	07240824	1	Socket-head cap screw
13	1) 05727215	1	Filter element,air
14	05720481	1	Cover, air filter
15	05720479	1	>Filter cover
16	05720680	1	>Plug
17	05728357	1	>Wing nut
18	06510256	2	>Plug
19	05722303	1	Kit,seal
20	05722466	1	Intermediate flange
21	05722605	1	Prefilter
22	05722410	1	Hose clip
23	05722403	1	Cap, cover
24	05722704	1	Valve plate
25	05722087	1	Decal,indication
26	05722088	1	Rubber cover
27	05722705	1	Signal ring
28	05728545	1	Filter disc
29	05722706	1	Adapter
30	05551944	1	Tube clamp
31	08720611	1	Spring washer
32	07230613	1	Socket-head cap screw
33	05720291	2	Fuel pipe
34	05722756	1	Hose
35	05722646	1	Banjo union
36	09710104	1	Hollow screw
37	09331088	2	Sealing ring
38	05722757	1	Maintenance indicator
39	05722524	1	Cable binder


2) Incl. in gasket set for 1 cylinder head

1) Incl. in maintenance kit

Go to [www.equipment.com](http://www.equipment.com) to order your parts

	Engine no.
	S/N 732613185581 ▶
<b>11.23</b>	<b>Suction Pipe And Exhaust</b>
Page <b>1 / 1</b>	
<b>BOMAG</b> FAYAT GROUP	MOT015619_000_00



Engine no.	
S/N 732613185581 ▶	
<b>Suction Pipe And Exhaust</b>	<b>11.23</b>
	Page <b>1 / 1</b>
	MOT015619 1001 E 

Pos.	Part no.	Qty.	Description
1	05722065	1	Exhaust silencer
2	2) 05720483	1	>Gasket
3	05722064	3	>Socket-head cap screw
4	08720814	3	>Spring washer
5	05728722	1	>Sealing plate
6	05722318	1	Protective device
7	05723455	10	Spring washer
8	05722570	5	Socket-head cap screw
9	08621064	5	Washer
10	00970003	1,00 g	Auxiliaries Anti-seize agent J
		2)	Incl. in gasket set for 1 cylinder head

Go to Discount-Equipment.com to order your parts



Engine no.

S/N 732613185581 ▶

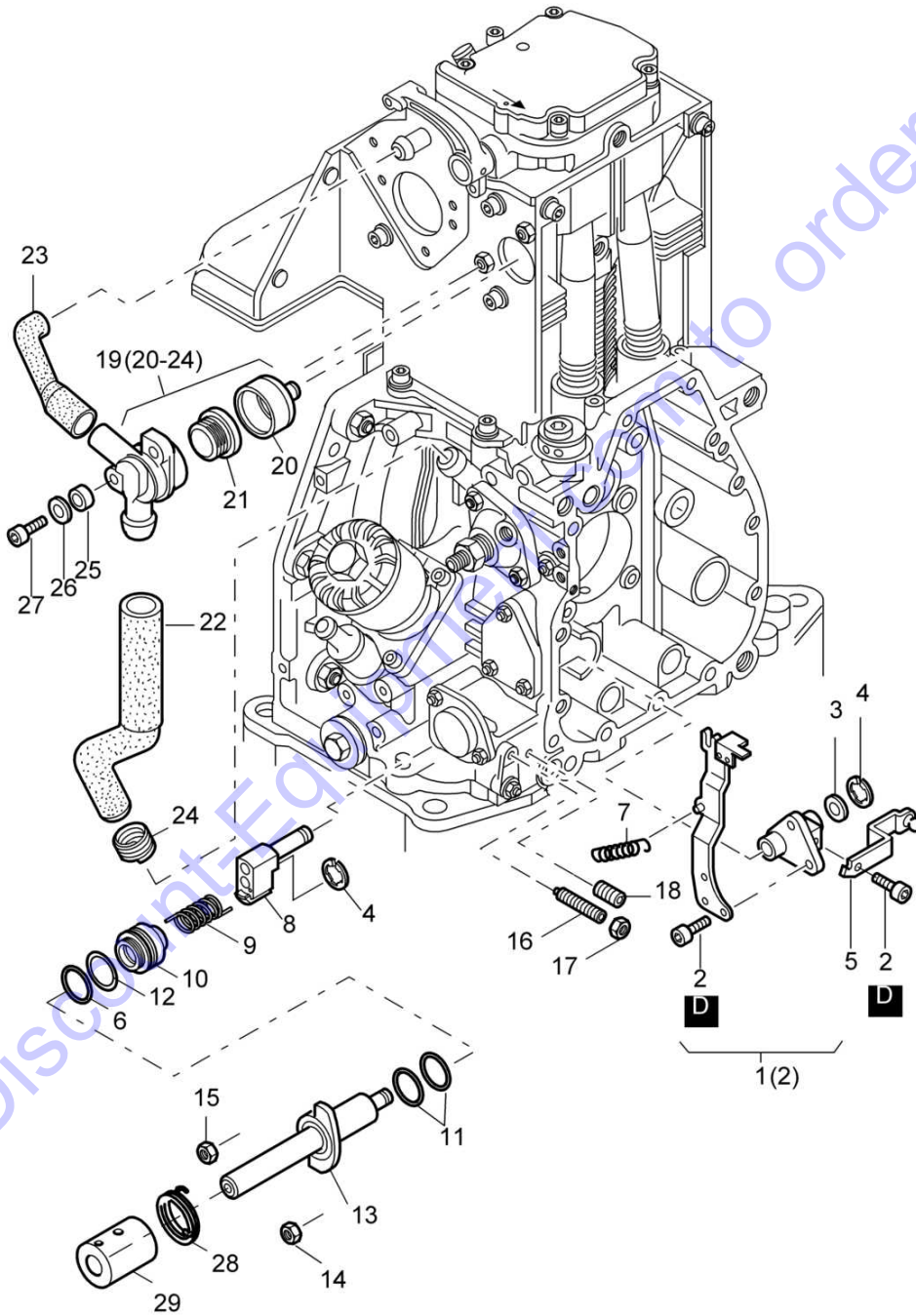
# 11.25

## Throttle Control


Page 1 / 2



MOT010127\_000\_00



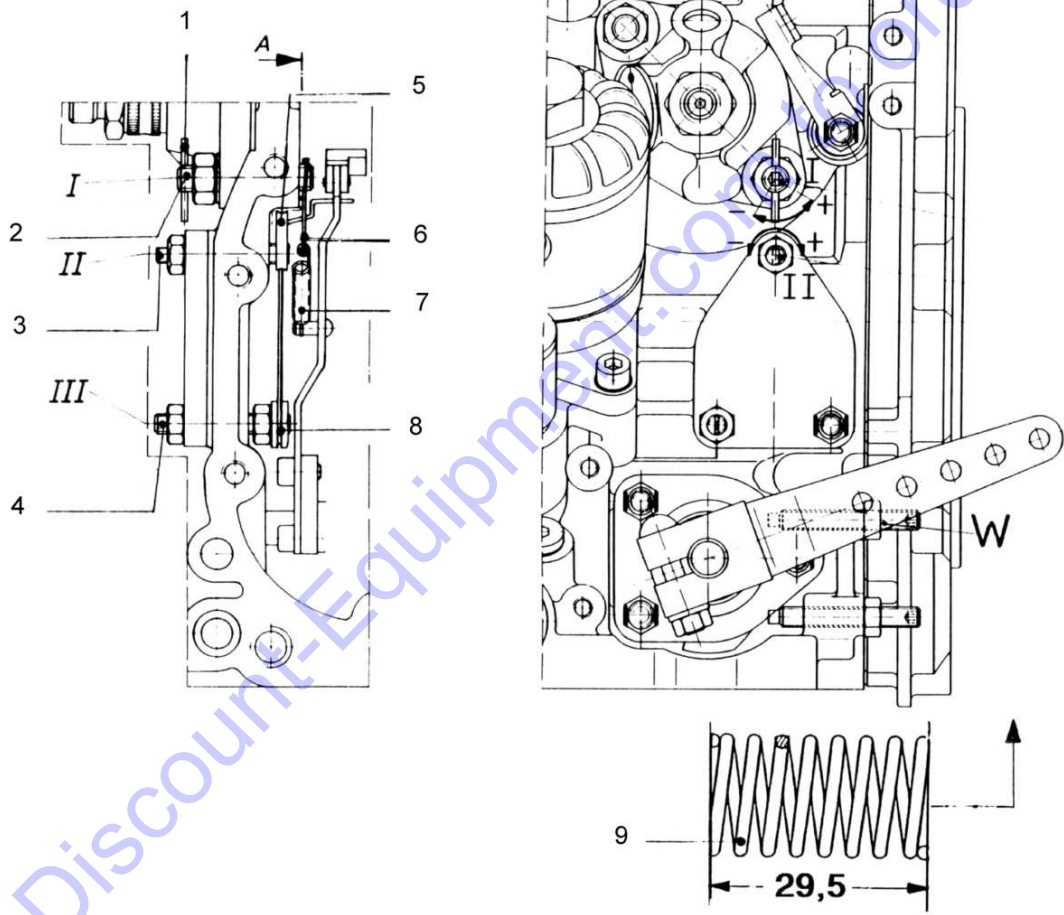
mot010127\_000


Engine no.	
S/N 732613185581 ▶	
Throttle Control	<b>11.25</b>
	Page <b>1 / 2</b>
	MOT010127 1001 E 

Pos.	Part no.	Qty.	Description
1	05722749	1	Governor lever
2	07230502	4	>Socket-head cap screw
3	05722626	1	Stop disc
4	05727274	2	Safety washer
5	05722480	1	Control lever
6	05521245	1	Supporting disc
7	05722627	1	Holding spring
8	05722628	1	Guide
9	05722449	1	Spring
10	05728537	1	Spacer ring
11	4) 05728563	2	Loop ring
12	4) 06220325	1	Loop ring
13	05728564	1	Stop
14	05821320	1	Hexagon nut
15	08330610	3	Safety nut
16	05821294	2	Tapped pin
17	08110620	2	Hexagon nut
18	07560824	1	Tapped pin
19	05722750	1	Ventilation valve
20	05722439	1	>Cap
21	05722512	1	>Membrane
22	05722443	1	>Bleeding tube
23	05722442	1	>Bleeding tube
24	05722693	1	>Hose clip
25	05722440	2	Bushing
26	08641064	2	Spring washer
27	07230605	2	Socket-head cap screw
28	05722772	1	Yoke spring
29	05722775	1	Washer
30	00978006	1,00 kg	Auxiliaries Screw lock, middle strength D
		4)	Incl. in gasket set crankcase

Go to Discount-Equipment.com to order your parts

	Engine no.
<b>11.25</b>	S/N 732613185581 ▶
Page <b>2 / 2</b>	<b>Throttle Control</b>
<b>BOMAG</b> FAYAT GROUP	MOT015624_000_00

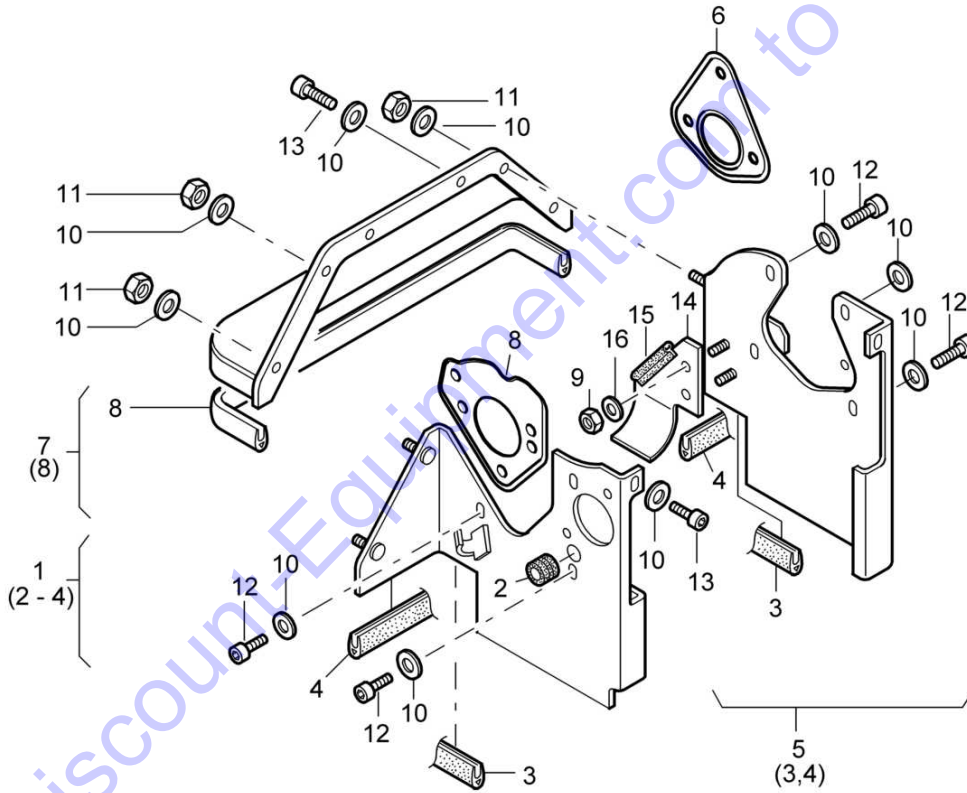



Engine no.	
S/N 732613185581 ▶	
<b>Throttle Control</b>	<b>11.25</b>
	Page <b>2 / 2</b>
	 <b>BOMAG</b> FAYAT GROUP
MOT015624 1001 E	

Pos.	Part no.	Qty.	Description
1	05720288	1	Grooved pin
2	05720289	1	Tapped pin
3	05722999	1	Tapped pin
4	07540640	1	Tapped pin
5	05723000	1	Eccentric
6	05722998	1	Lever
7	05722627	1	Holding spring
8	05722997	1	Rod spring
9	05720000	1	Governor spring

Go to Discount-Equipment.com to order your parts

	Engine no.
<b>11.30</b>	S/N 732613185581 ▶
Page <b>1 / 1</b>	<b>Cooling Air Duct</b>
<b>BOMAG</b> FAYAT GROUP	MOT010126_000_00

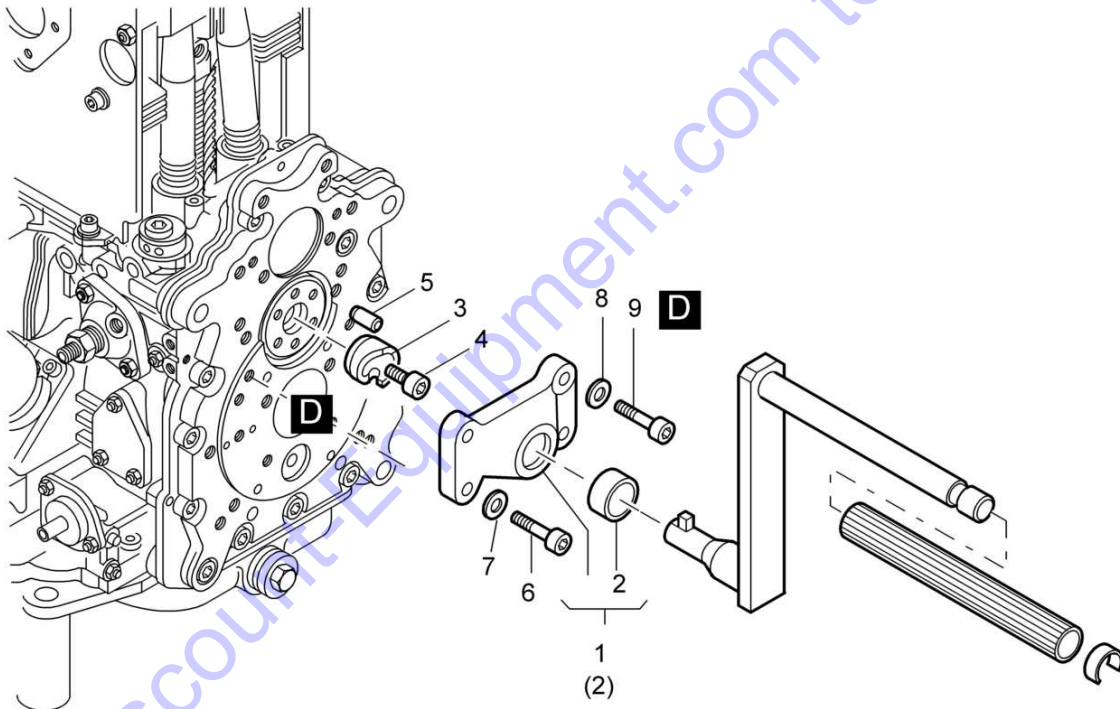



Engine no.	
S/N 732613185581 ▶	
Cooling Air Duct	<b>11.30</b>
	Page 1 / 1
	 <b>BOMAG</b> FAYAT GROUP
MOT010126 1001 E	

Pos.	Part no.	Qty.	Description
1	05723442	1	Air duct plate
2	05722519	1	>Rubber grommet
3	05722743	2	>Sealing strip 35mm
4	05722744	2	>Sealing strip 76mm
5	05723443	1	Air duct plate
6	05728722	1	Sealing plate
7	05722461	1	Air duct plate
8	05722562	1	>Sealing strip 406mm
9	05728723	1	Sealing plate
10	08330610	2	Safety nut
11	08510612	15	Washer
12	08110620	4	Hexagon nut
13	07230601	7	Socket-head cap screw
14	07230605	4	Socket-head cap screw
15	05724166	1	Air duct plate
16	05724221	1	Sealing strip 94mm
17	08621064	2	Washer

Go to Discount-Equipment.com to order your parts

	Engine no.
<b>11.32</b>	S/N 732613185581 ▶
Page <b>1 / 1</b>	<b>Cranking Device</b>
<b>BOMAG</b> FAYAT GROUP	MOT010131_000_00



Engine no.	
S/N 732613185581 ▶	
<b>Cranking Device</b>	<b>11.32</b>
	Page 1 / 1
	MOT010131 1001 E 

Pos.	Part no.	Qty.	Description
1	05722426	1	Guiding sleeve
2	05722539	1	>Bushing
3	05722453	1	Cranking jaw
4	07240804	1	Socket-head cap screw
5	09126536	1	Pin,cylindric
6	07230827	2	Socket-head cap screw
7	08510817	2	Washer
8	08511021	2	Washer
9	07231023	2	Socket-head cap screw
10	00978006	1,00 kg	Auxiliaries Screw lock, middle strength D

Go to Discount-Equipment.com to order your parts



Engine no.

S/N 732613185581 ▶

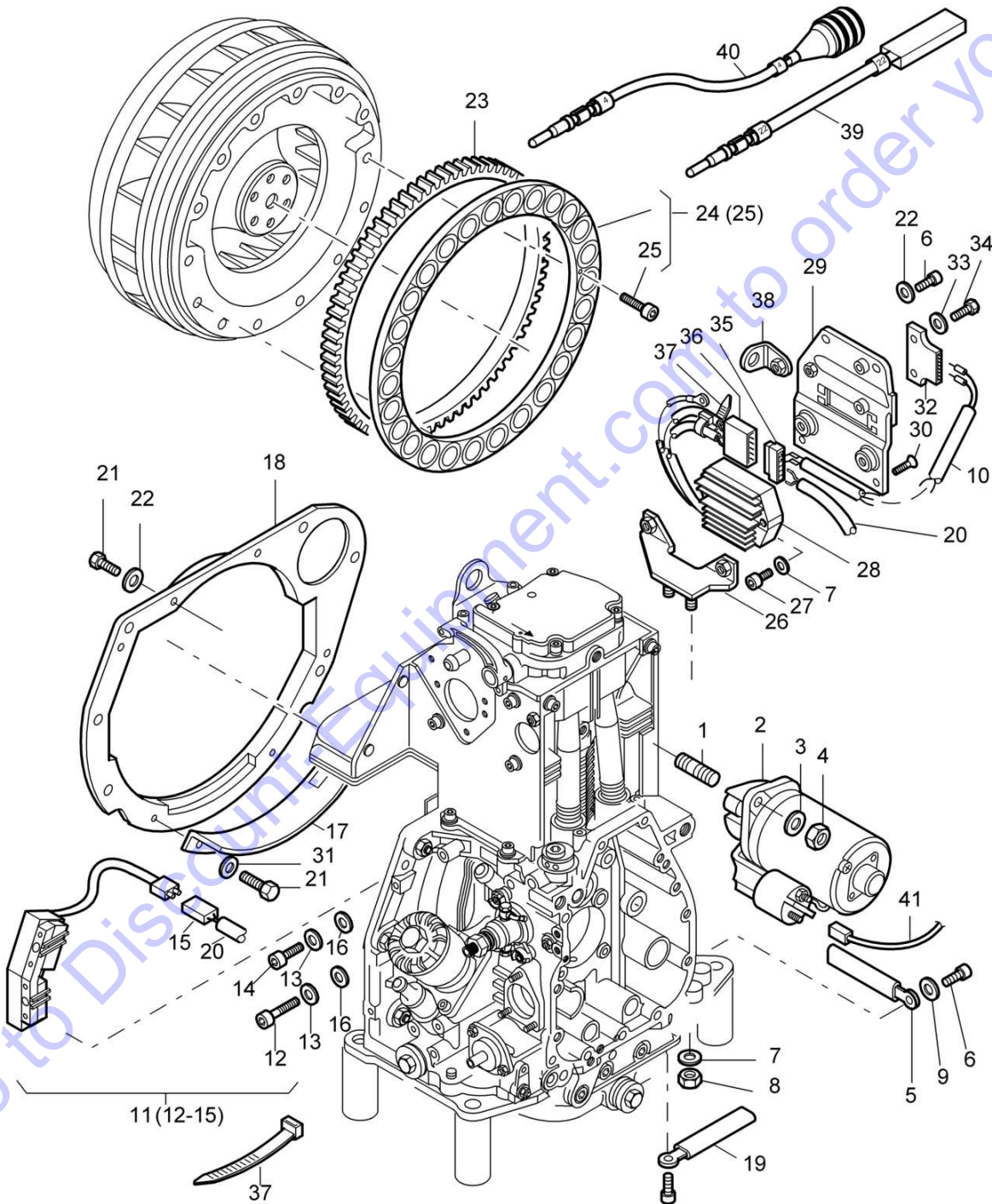
# 11.34

## Generator And Starter


Page 1 / 1



MOT010132\_000\_00

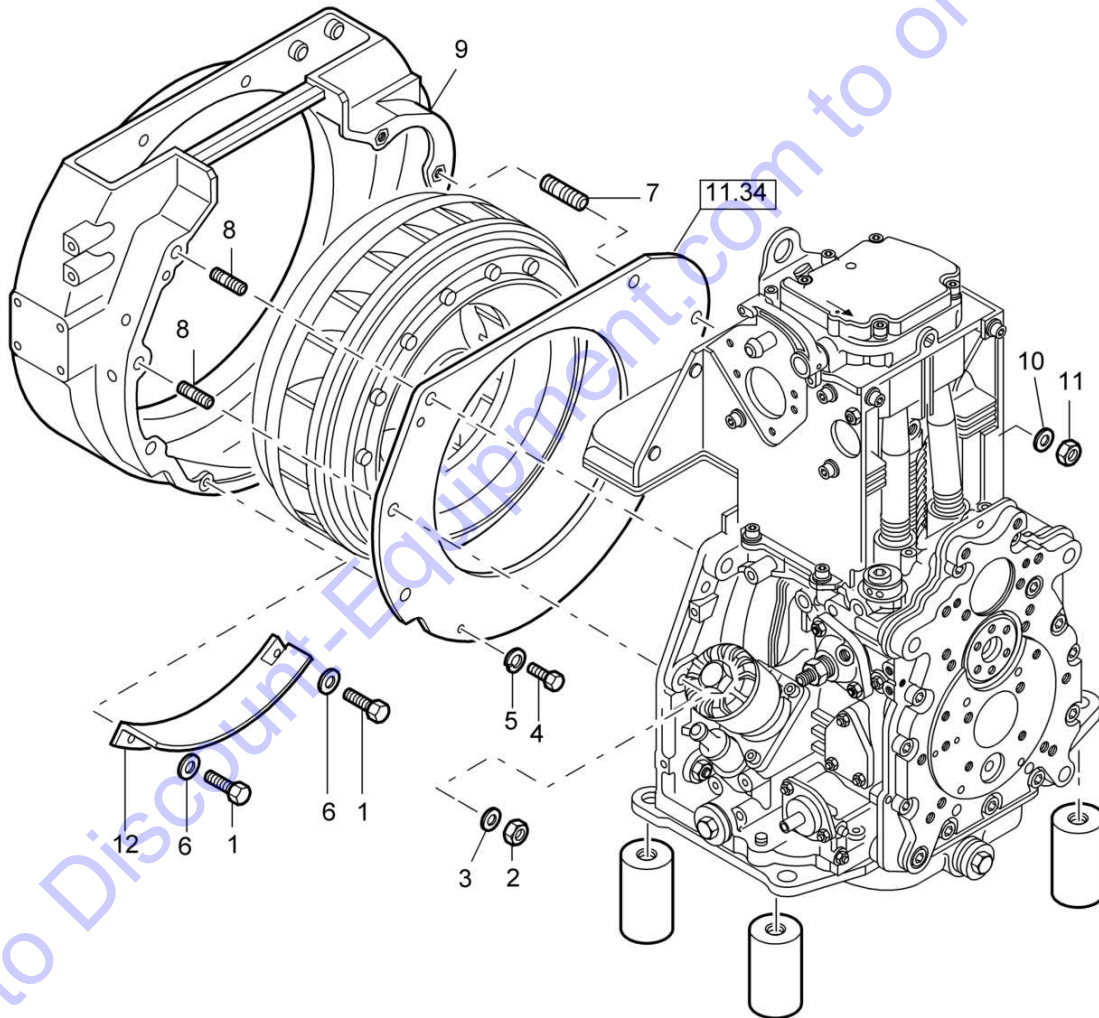



mot010132\_000

Engine no.	
S/N 732613185581 ▶	
<b>Generator And Starter</b>	<b>11.34</b>
	Page <b>1 / 1</b>
	MOT010132 1001 E 

Pos.	Part no.	Qty.	Description
1	05821274	2	Pin screw
2	05728551	1	Starter 12V-2,0kW
3	08511324	2	Washer
4	05722048	2	Hexagon nut
5	05722054	2	Cable clip
6	07230693	2	Socket-head cap screw
7	08720814	4	Spring washer
8	08110813	2	Hexagon nut
9	08510612	1	Washer
10	05722614	1	Wire harness incl. Pos. 35
11	05728552	1	Coils with cable 12V
12	07240628	1	>Socket-head cap screw
13	08600614	2	>Spring washer
14	07240620	1	>Socket-head cap screw
15	05722055	1	Plug housing
16	08510612	2	Washer
17	05722050	1	Protection
18	05722051	1	Separating plate
19	05722613	2	Cable clip
20	05722608	1	Cable
21	07140622	5	Hexagon bolt
22	08720611	4	Spring washer
23	05722462	1	Ring gear
24	05722996	1	Magnet ring
25	05728554	14	>Socket-head cap screw
26	05720209	1	Holder
27	07230827	2	Socket-head cap screw
28	05720184	1	Regulator switch 12V
29	05722053	1	Supporting plate
30	07320605	2	Countersunk screw
31	08510612	2	Washer
32	05722002	1	Pin housing
33	08510511	2	Washer
34	07140524	2	Hexagon bolt
35	05722047	1	Plug
36	05722046	1	Housing
37	05722524	4	Cable binder
38	05722454	1	Angle
39	05821280	1	Terminal (22), 360mm
40	05720125	1	Oil pressure switch
41	05722758	1	Cable


	Engine no.
<b>11.38</b>	S/N 732613185581 ▶
Page <b>1 / 1</b>	<b>Connecting Housing</b>
<b>BOMAG</b> FAYAT GROUP	MOT010134_000_00

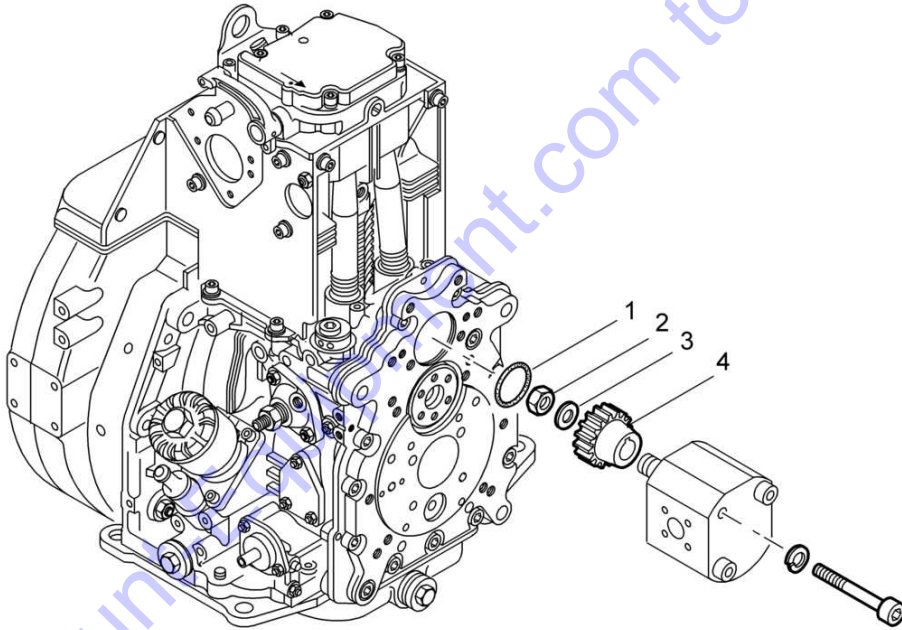



Engine no.	
S/N 732613185581 ▶	
Connecting Housing	<b>11.38</b>
	Page 1 / 1
	 <b>BOMAG</b> FAYAT GROUP
MOT010134 1001 E	

Pos.	Part no.	Qty.	Description
1	07140626	2	Hexagon bolt
2	08111218	4	Hexagon nut
3	08511324	4	Washer
4	07140626	2	Hexagon bolt
5	08720611	2	Spring washer
6	08510612	2	Washer
7	05821274	2	Pin screw
8	05728534	4	Pin screw
9	05724222	1	Connecting housing
10	08511324	2	Washer
11	05722048	2	Hexagon nut
12	05722050	1	Protection

Go to [Discount-Equipment.com](http://Discount-Equipment.com) to order your parts

	Engine no.
<b>11.45</b>	S/N 732613185581 ▶
Page <b>1 / 1</b>	<b>Hydraulic Pump</b>
 <b>BOMAG</b> FAYAT GROUP	MOT010136_000_00



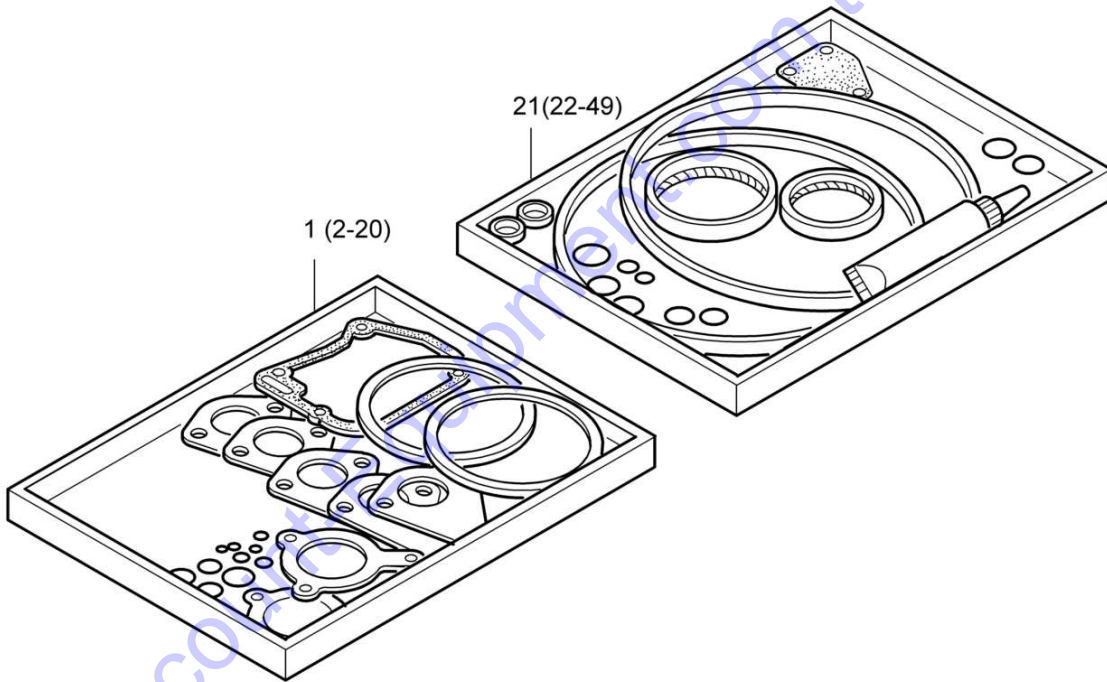
Engine no.	
S/N 732613185581 ▶	
Hydraulic Pump	<b>11.45</b>
	Page 1 / 1
	
MOT010136 1001 E	


Pos.	Part no.	Qty.	Description
------	----------	------	-------------

1	06220459	1	Loop ring
2	05724224	1	Hexagon nut
3	08721221	1	Spring washer
4	05723439	1	Gear wheel

Go to Discount-Equipment.com to order your parts

	Engine no.
<b>11.47</b>	S/N 732613185581 ▶
Page <b>1 / 1</b>	<b>Seal Kit</b>
<b>BOMAG</b> FAYAT GROUP	MOT010113_000_00




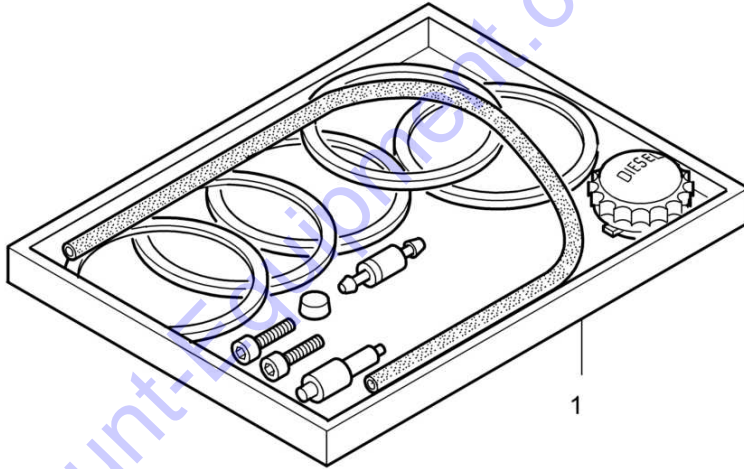
Engine no.	
S/N 732613185581 ▶	
Seal Kit	<b>11.47</b>
	Page <b>1 / 1</b>
	MOT010113 1001 E 


Pos.	Part no.	Qty.	Description
1	05721045	1	Kit,seal
2	05722428	2	>Valve stem seal
3	05722304	1	>Kit,seal
4	05722391	1	>Gasket
5	05722299	3	>Gasket
6	05722353	1	>Cylinder head gasket
7	05722363	1	>Cylinder head gasket
8	05722419	1	>Square ring
9	06220083	2	>Loop ring
10	06220123	2	>Loop ring
11	05722935	2	>Loop ring
12	05722272	1	>Sealing ring
13	05720128	1	>Gasket
14	09331058	2	>Sealing ring
15	09331108	1	>Sealing ring
16	06220017	2	>Loop ring
17	06220015	2	>Loop ring
18	06220016	2	>Loop ring
19	05722709	2	>Seal
20	05728482	2	>Seal
21	05724225	1	Kit,seal,for crankcase
22	06220013	1	>Loop ring
23	05722416	1	>Square ring
24	05722415	2	>Square ring
25	05722421	3	>Gasket
26	05722779	1	>Gasket
27	09331108	2	>Sealing ring
28	09331198	2	>Sealing ring
29	09331196	2	>Sealing ring
30	09331088	2	>Sealing ring
31	06220325	1	>Loop ring
32	05728563	2	>Loop ring
33	06220137	1	>Loop ring
34	06220000	1	>Loop ring
35	00970017	1	>Sealing compound
36	09331218	1	>Sealing ring
37	09312990	1	>Radial seal
38	06220011	2	>Loop ring
39	06220018	3	>Loop ring
40	05722258	2	>Square ring
41	06220014	1	>Loop ring
42	06220001	1	>Loop ring
43	06220012	1	>Loop ring
44	06220019	2	>Loop ring
45	09313341	1	>Radial seal
46	06220010	1	>Loop ring
47	05728484	1	>Loop ring
48	05720287	2	>Sealing ring
49	05720287	2	>Sealing ring

Go to [www.mount-equipment.com](http://www.mount-equipment.com) to order your parts



	Engine no.
<b>11.49</b>	S/N 732613185581 ▶
Page <b>1 / 1</b>	<b>Emergency Kit</b>
 <b>BOMAG</b> FAYAT GROUP	MOT010115_000_00



Engine no.	
S/N 732613185581 ▶	
Emergency Kit	<b>11.49</b>
	Page 1 / 1
	MOT010115 1001 E 

**Pos. Part no. Qty. Description**

1 05720376 1 Kit,emergency

Go to Discount-Equipment.com to order your parts

Engine no.

S/N 732613185581 ▶

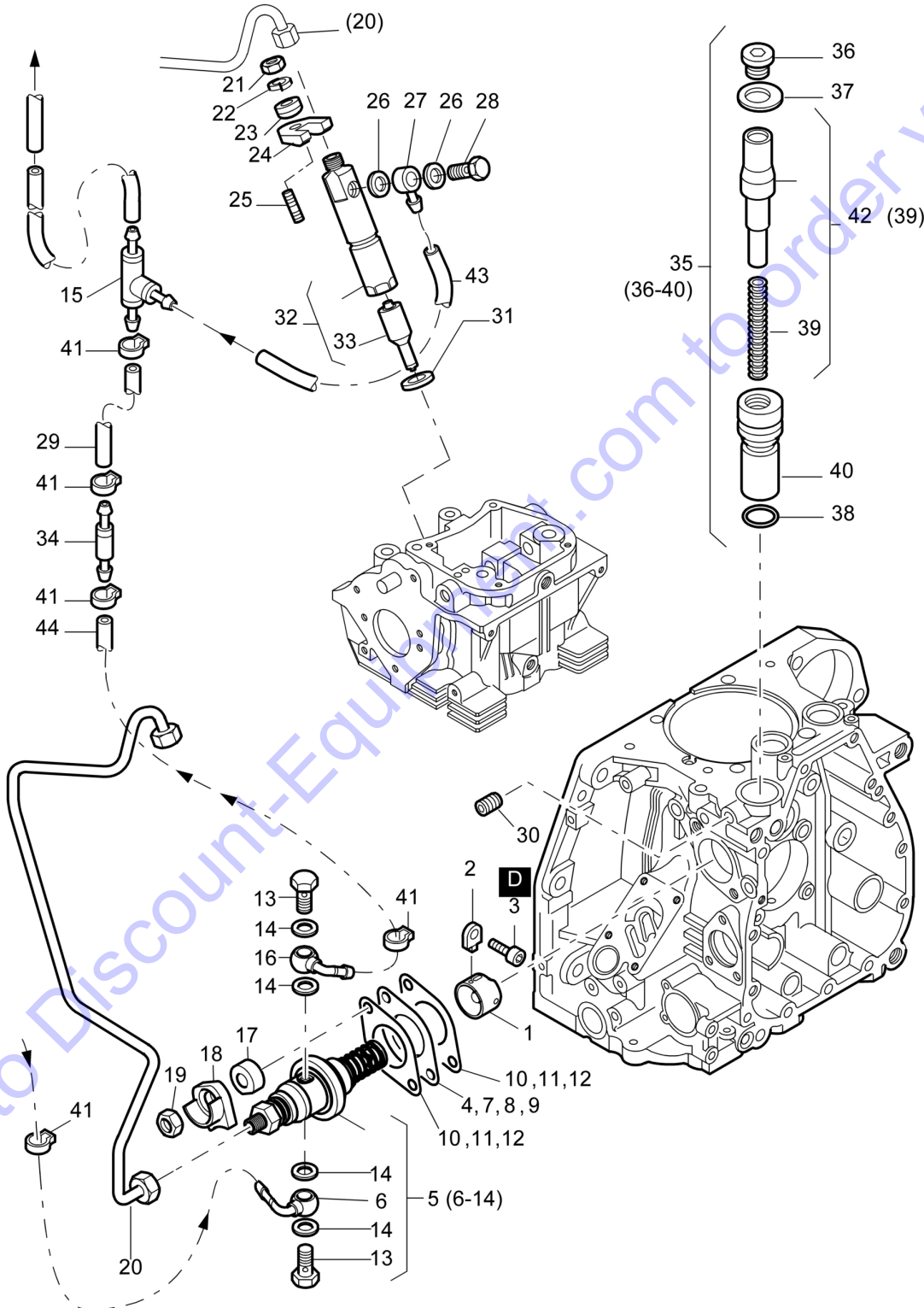
# 11.51

## Boost Fuel Supply


Page 1 / 1



MOT015623\_000\_00



mot015623\_000

Engine no.	
S/N 732613185581 ▶	
<b>Boost Fuel Supply</b>	<b>11.51</b>
	Page 1 / 1
	 <b>BOMAG</b> FAYAT GROUP
MOT015623 1001 E	

**Pos. Part no. Qty. Description**

1	05728716	1	Roller tappet
2	05728715	1	Guide
3	07230605	1	Socket-head cap screw
4	05722344	1	Shim 0,30mm
5	05720286	1	Pump,injection
6	05723400	1	Banjo union
7	05722733	1	Shim 0,60mm
8	05722734	1	Shim 0,90mm
9	05722735	1	Shim 1,20mm
10	4) 05722421	1	Gasket 0,10mm
11	05722736	1	Gasket 0,20mm
12	05722737	1	Gasket 0,30mm
13	05720117	2	Hollow screw
14	4) 05720287	4	Sealing ring
15	05722541	1	T-union
16	05720687	1	Ring piece
17	05720688	2	Spacer piece
18	05720689	2	Claw
19	05720690	2	Hexagon nut
20	05720691	1	Fuel pressure pipe
21	08110813	1	Hexagon nut
22	08720814	1	Spring washer
23	05722518	1	Bushing
24	05722527	1	Flange
25	07510829	1	Pin screw
26	2) 09331058	2	Sealing ring
27	05722528	1	Ring piece
28	05715614	1	Hollow screw
		2)	Incl. in gasket set for 1 cylinder head
		4)	Incl. in gasket set crankcase

continued

Engine no.

S/N 732613185581 ▶

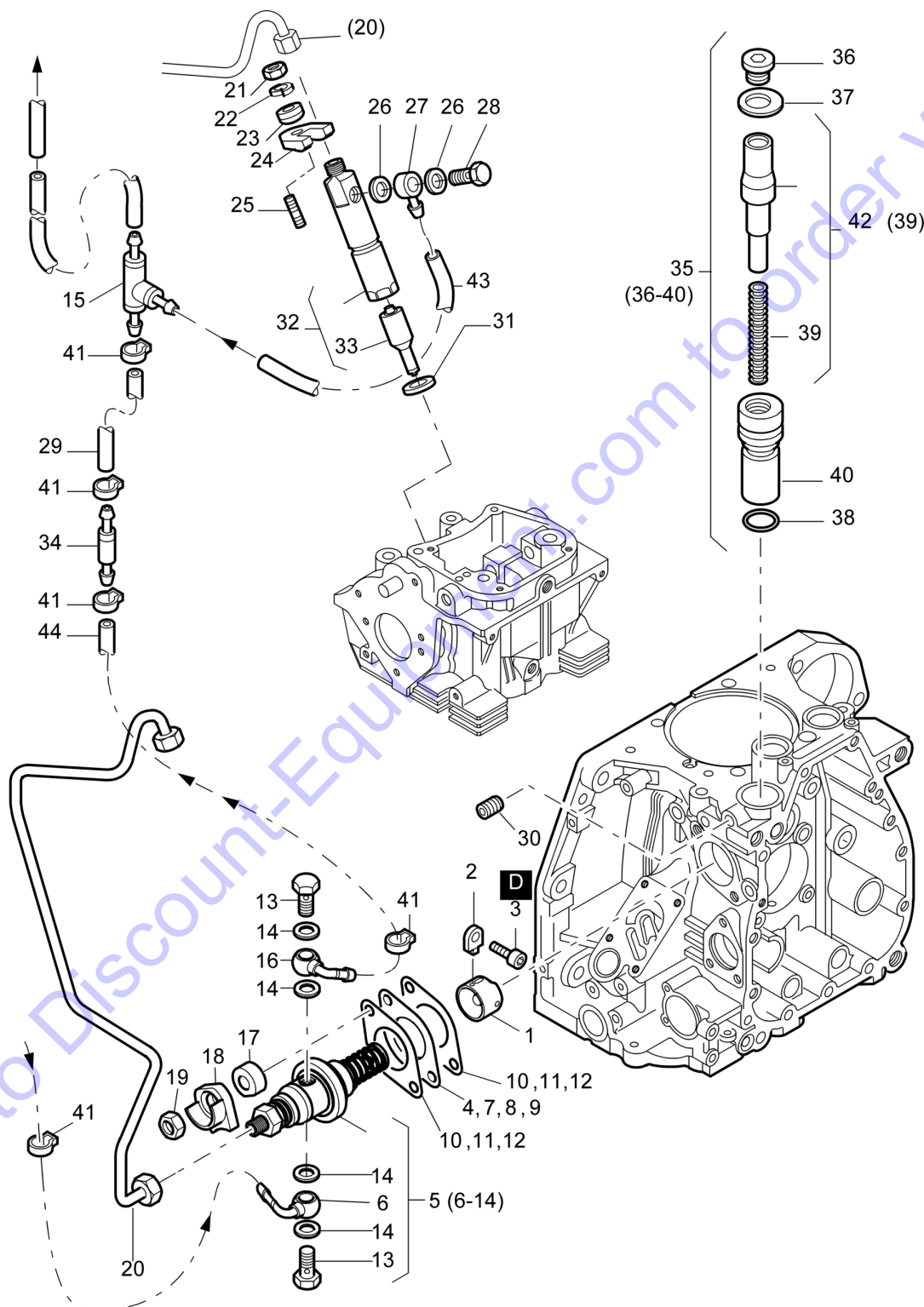
# 11.51

## Boost Fuel Supply


Page 1 / 1



MOT015623\_000\_00



mot015623\_000

Engine no.	
S/N 732613185581 ▶	
<b>Boost Fuel Supply</b>	<b>11.51</b>
	Page <b>1 / 1</b>
	MOT015623 1001 E 

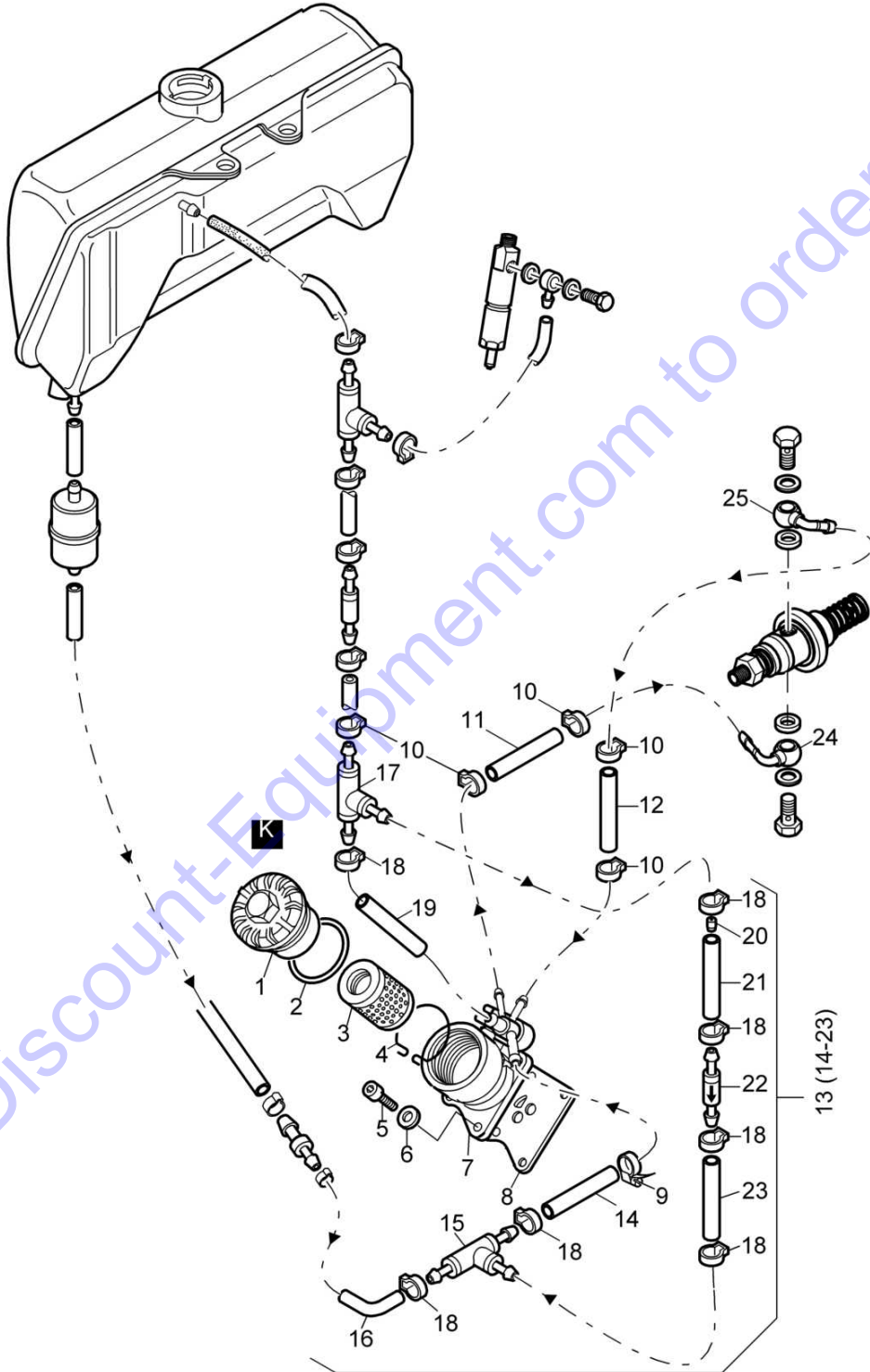
**Pos. Part no. Qty. Description**

29	05720129	1	Fuel pipe
30	07760808	1	Tapped pin
31	2) 05720128	1	Gasket
32	05720384	1	Valve,injection
33	3) 05720385	1	Nozzle
34	05728628	1	Ventilation valve
35	05722493	1	Cylinder
36	07621615	1	Screw plug
37	05722494	1	Washer
38	06220011	1	Loop ring
39	05722492	1	Spring
40	05722763	1	Cylinder
41	05720677	1	Hose clip
42	05722019	1	Piston
43	05720696	1	Fuel pipe
45	00978010	1	Auxiliaries Loctite D
		2)	Incl. in gasket set for 1 cylinder head
		3)	Incl. in emergency kit


Go to Discount-Equipment.com to order your parts

Engine no.

	S/N 732613185581 ▶
<b>11.54</b>	<b>Mechanical Automatic Cut-Off</b>
Page <b>1 / 1</b>	
<b>BOMAG</b> FAYAT GROUP	MOT015621_000_00



mot015621\_000

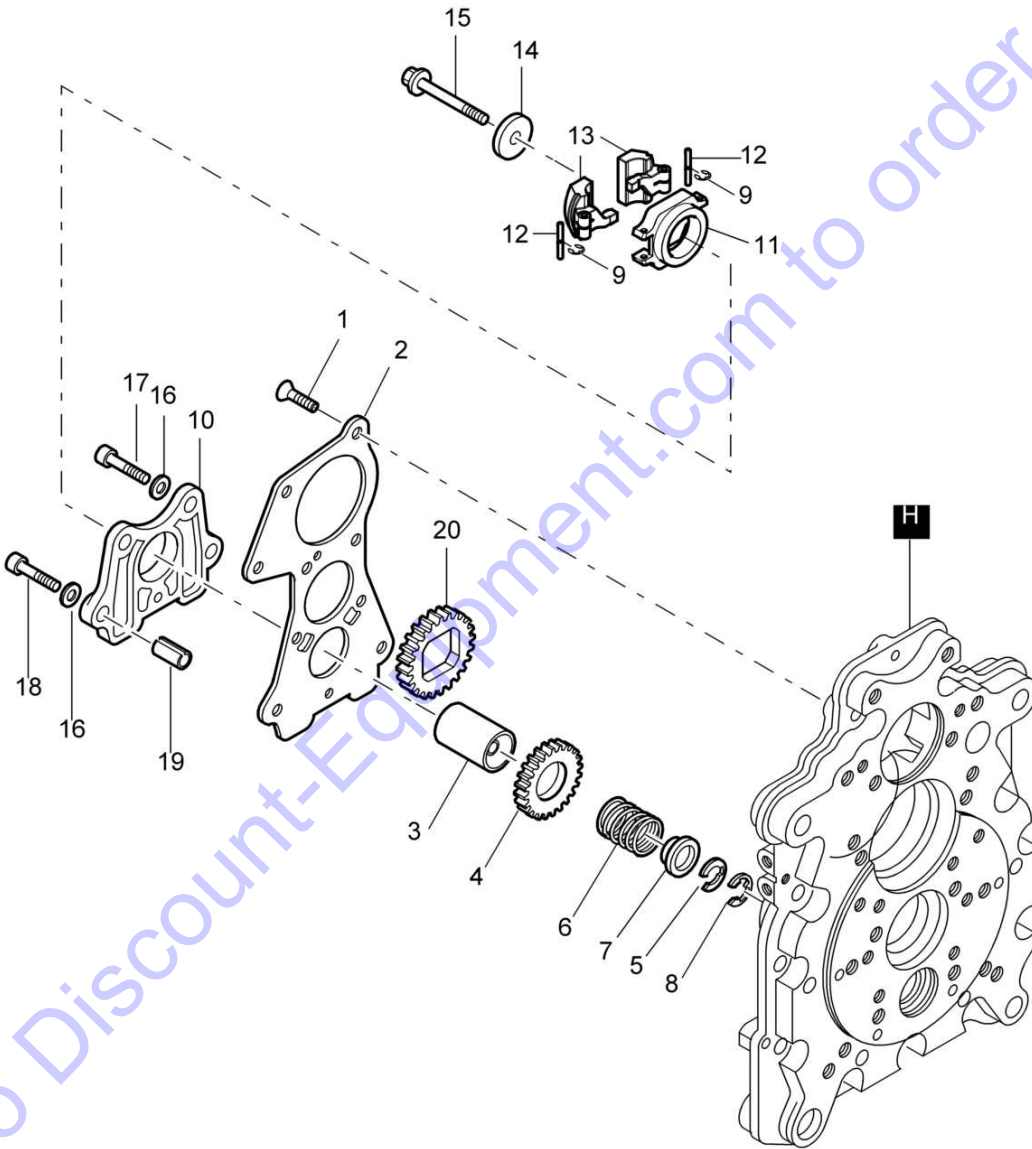
Engine no.	
S/N 732613185581 ▶	
<b>Mechanical Automatic Cut-Off</b>	<b>11.54</b>
	Page <b>1 / 1</b>
	MOT015621 1001 E 


Pos.	Part no.	Qty.	Description
1	05722250	1	Cover
2	05722258	1	Square ring
3	05727382	1	Filter cartridge,eng.oil
4	05722623	1	Pressure spring
5	07230613	4	Socket-head cap screw
6	08641064	4	Spring washer
7	05720297	1	Shut-off valve
8	05722779	1	Gasket
9	05720698	1	Hose clip
10	05720677	5	Hose clip
11	05720119	1	Fuel pipe
12	05720120	1	Fuel pipe
13	05720298	1	Check valve
14	05720121	1	>Fuel pipe
15	05723399	1	>Hose nipple
16	05720122	1	>Fuel pipe
17	05723397	1	>Angular union
18	05720677	7	>Hose clip
19	05720123	1	>Fuel pipe
20	05723398	1	>Throttle
21	05720299	1	>Fuel pipe
22	05720426	1	>Check valve
23	05720124	1	>Fuel pipe
24	05723400	1	Banjo union
25	05720687	1	Ring piece
30	05721037	1	Auxiliaries Grease,special K

Go to Discount-Equipment.com to order your parts



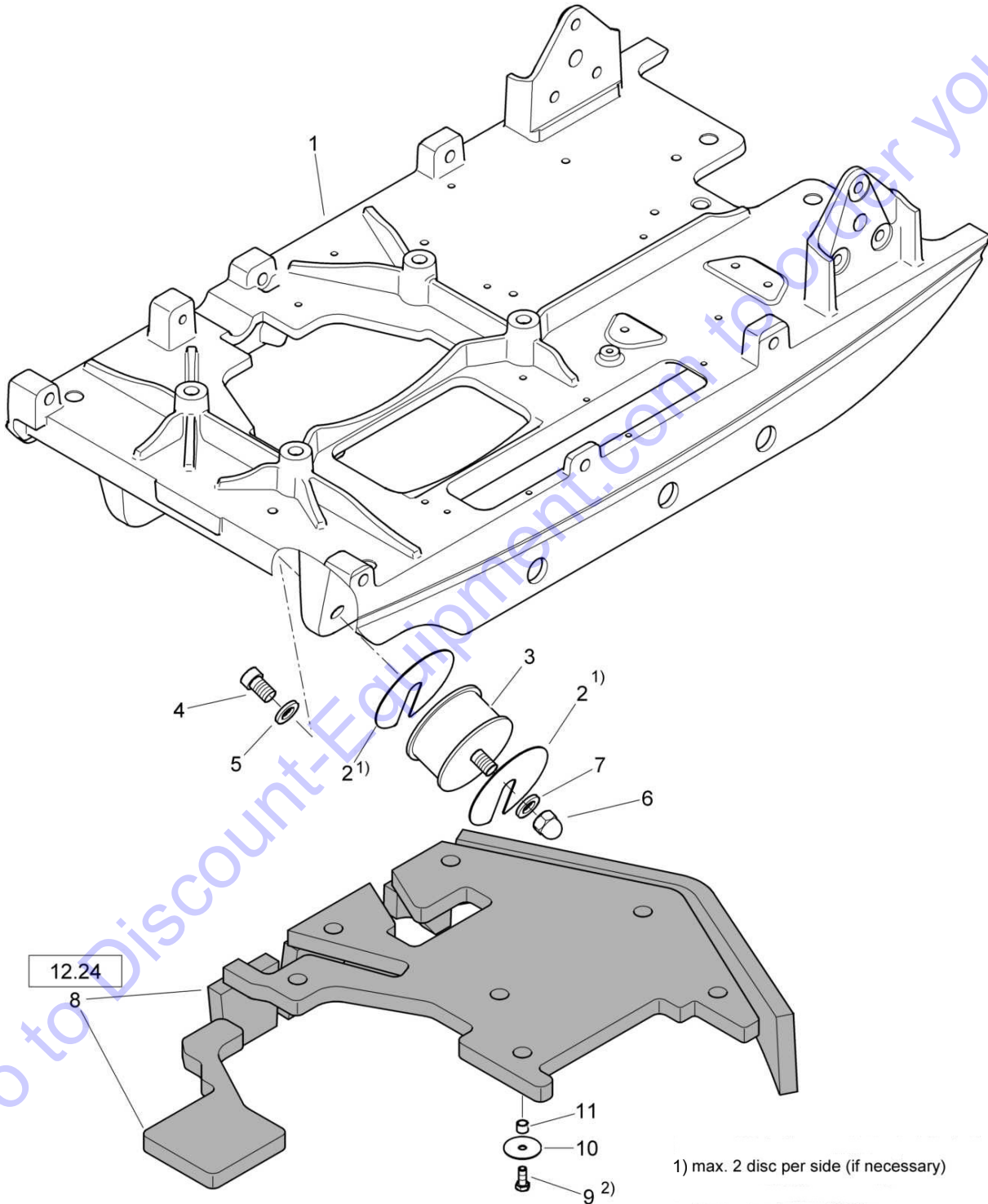
	Engine no.
<b>11.65</b>	S/N 732613185581 ▶
	<b>Lubricating Oil Pump, Governor</b>
Page <b>1 / 1</b>	
<b>BOMAG</b> FAYAT GROUP	MOT012424_000_00



Engine no.	
S/N 732613185581 ▶	
Lubricating Oil Pump, Governor	<b>11.65</b>
	Page 1 / 1
	 <b>BOMAG</b> FAYAT GROUP
MOT012424 1001 E	


Pos.	Part no.	Qty.	Description
1	05722011	5	Countersunk screw
2	05722012	1	Oil pump cover
3	05722504	1	Spring capsule and bush
4	05720007	1	Gear wheel
5	05722509	1	Safety washer 0,5mm
6	05720000	1	Governor spring 3,0mm, 3000min-1
7	05722508	1	Spring cup
8	05727273	1	Safety washer
9	05720476	2	Safety washer
10	05723404	1	Pump housing
11	05720473	1	Plate
12	05720474	2	Toggle pin
13	05720475	2	Centrifugal weight
14	05722507	1	Stop disc
15	05722506	1	Bolt
16	08641064	5	Spring washer
17	07230621	3	Socket-head cap screw
18	07230623	2	Socket-head cap screw
19	05722730	2	Dowel pin
20	05720008	1	Gear wheel
30	00970017	1	Auxiliaries Sealing compound H

Go to Discount-Equipment.com to order your parts



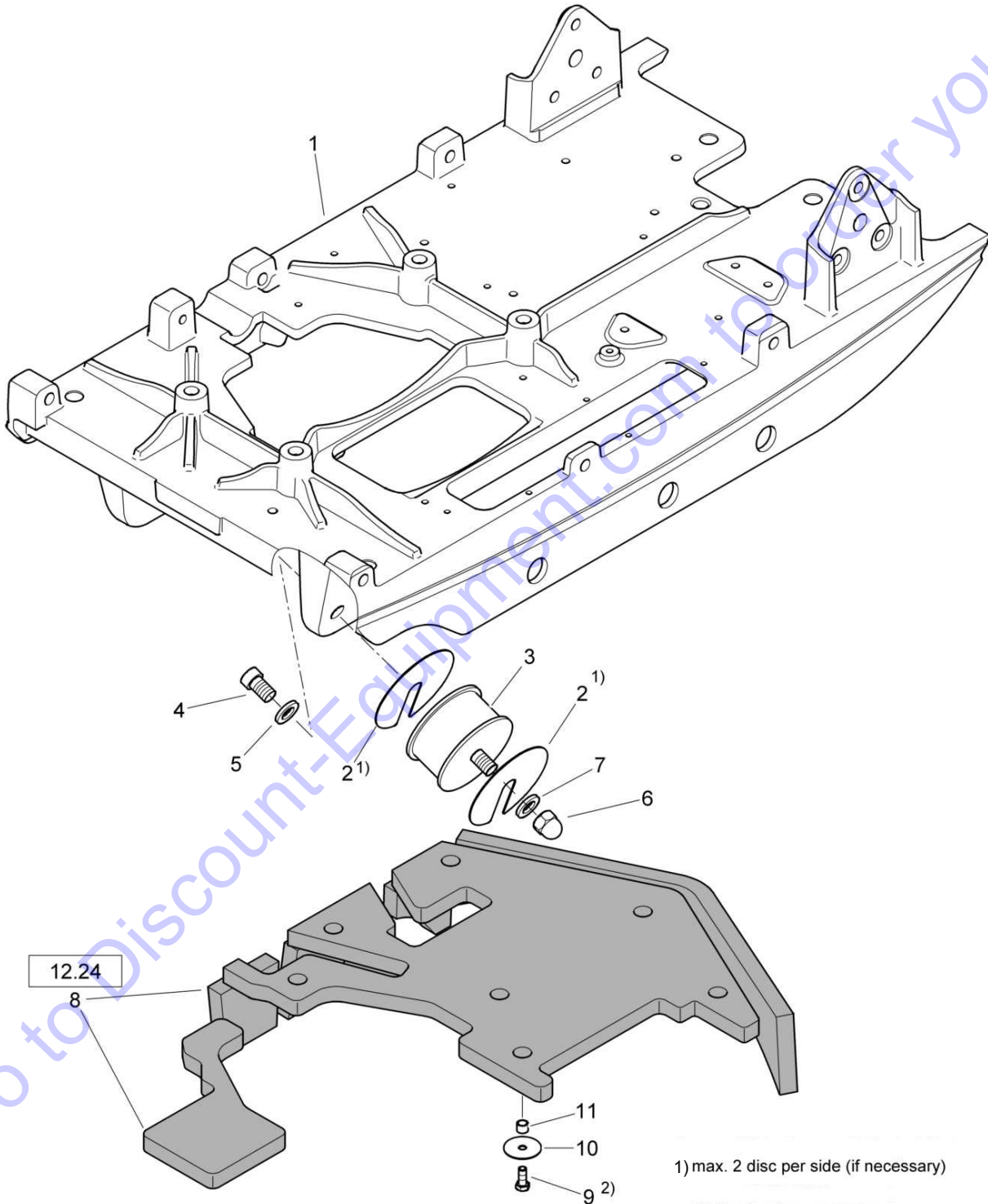
1) max. 2 disc per side (if necessary)

2) Tightening torque 20 Nm

BPR 70/70 D		
S/N 101692633870 ▶		<b>12.12</b>
<b>Engine Carrier</b>		Page <b>1 / 1</b>
	69030063 1001 1	


Pos.	Part no.	Qty.	Description
1	69030333	1	Engine carrier
2	48230106	8	Shim
3	06128800	4	Rubber buffer
4	07231619	4	Socket-head cap screw
5	08511730	4	Washer
6	08251620	4	Domed cap nut
7	08752170	4	Spring washer
8	69030282	1	Kit,noise proofing
9	07140824	7	Hexagon bolt
10	08510840	7	Disc
11	69040291	7	Sleeve

Go to Discount-Equipment.com to order your parts



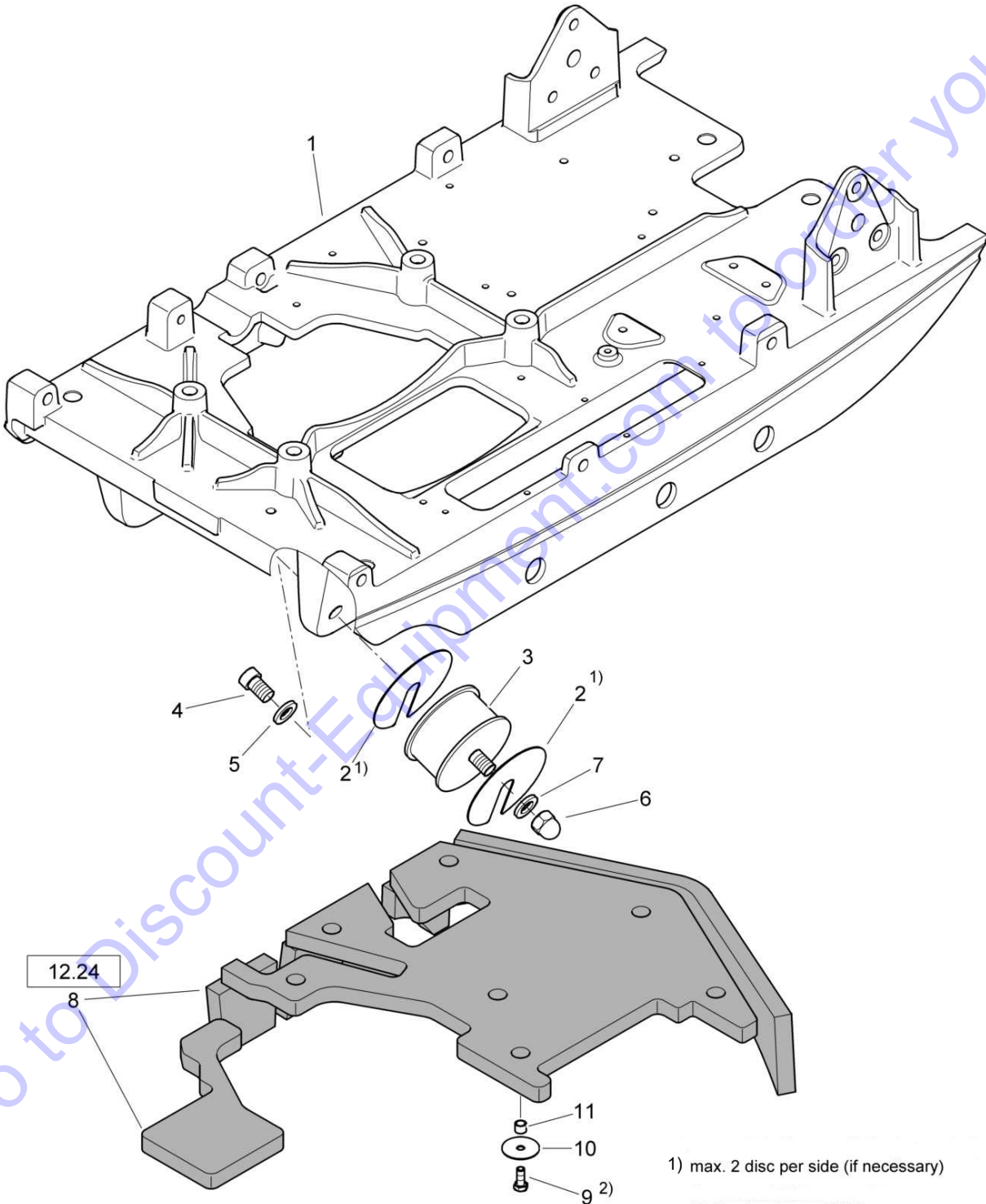
1) max. 2 disc per side (if necessary)

2) Tightening torque 20 Nm

BPR 70/70 D		
S/N 101692632102 ▶ S/N 101692633869		<b>12.12</b>
<b>Engine Carrier</b>		Page <b>1 / 1</b>
69030063 1001 1		

Pos.	Part no.	Qty.	Description
1	69030314	1	Engine carrier
2	48230106	8	Shim
3	06128800	4	Rubber buffer
4	07231619	4	Socket-head cap screw
5	08511730	4	Washer
6	08251620	4	Domed cap nut
7	08752170	4	Spring washer
8	69030282	1	Kit,noise proofing
9	07140824	7	Hexagon bolt
10	08510840	7	Disc
11	69040291	7	Sleeve


Go to Discount-Equipment.com to order your parts



12.24

1) max. 2 disc per side (if necessary)

2) Tightening torque 20 Nm

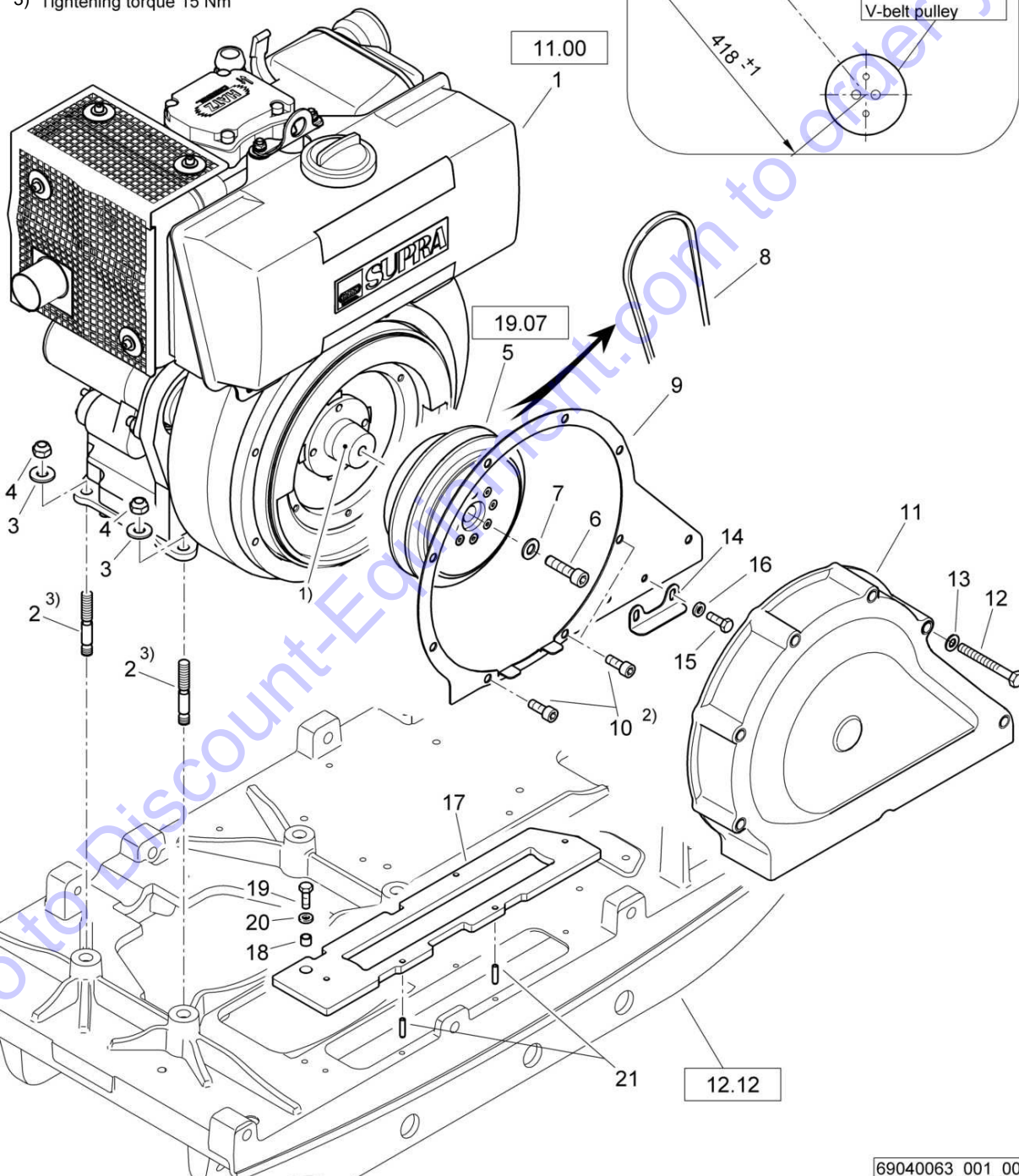
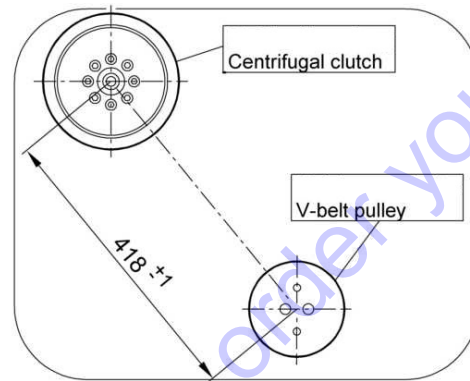
BPR 70/70 D		
S/N 101692631001 ▶ S/N 101692632101		<b>12.12</b>
<b>Engine Carrier</b>		Page <b>1 / 1</b>
69030063 1001 1		


Pos.	Part no.	Qty.	Description
1	69030314	1	Engine carrier
2	48230106	8	Shim
3	06128800	4	Rubber buffer
4	07231619	4	Socket-head cap screw
5	08511730	4	Washer
6	08251620	4	Domed cap nut
7	08752170	4	Spring washer
8	69030282	1	Kit,noise proofing
9	07140824	7	Hexagon bolt
10	08510840	7	Disc
11	69040291	7	Sleeve

Go to Discount-Equipment.com to order your parts



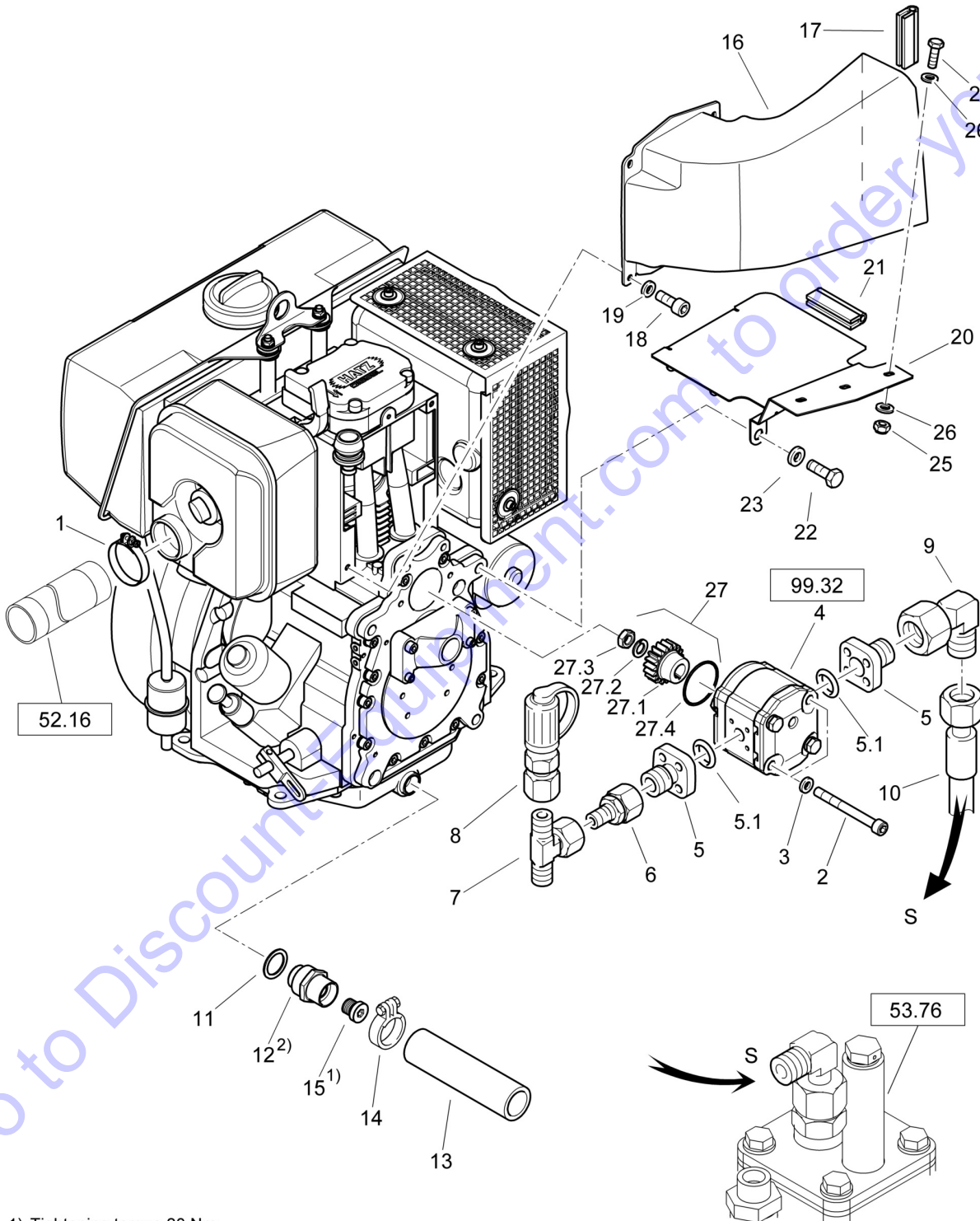
- 1) install cone grease / oil free
- 2) Tightening torque 50 Nm
- 3) Tightening torque 15 Nm



BPR 70/70 D		
S/N 101692631001 ▶		
<b>Engine</b>		<b>12.13</b>
		Page <b>1 / 2</b>
	69040063 1001 1	


Pos.	Part no.	Qty.	Description
1	05706413	1	Diesel engine
2	07581208	4	Pin screw
3	08752130	4	Spring washer
4	08131218	4	Safety nut
5	05650154	1	Centrifugal clutch
6	07231241	1	Socket-head cap screw
7	08501335	1	Washer
8	06312282	1	V-belt
9	69040359	1	Supporting plate
10	07231007	3	Socket-head cap screw
11	69040367	1	V-belt guard
12	07131056	6	Hexagon bolt
13	08511021	6	Washer
14	69040343	1	Hold-down
15	07140818	2	Hexagon bolt
16	08510817	2	Washer
17	69040360	1	Seal
18	69040291	1	Sleeve
19	07140824	1	Hexagon bolt
20	08510817	1	Washer
21	09160408	5	Dowel pin

Go to Discount-Equipment.com to order your parts



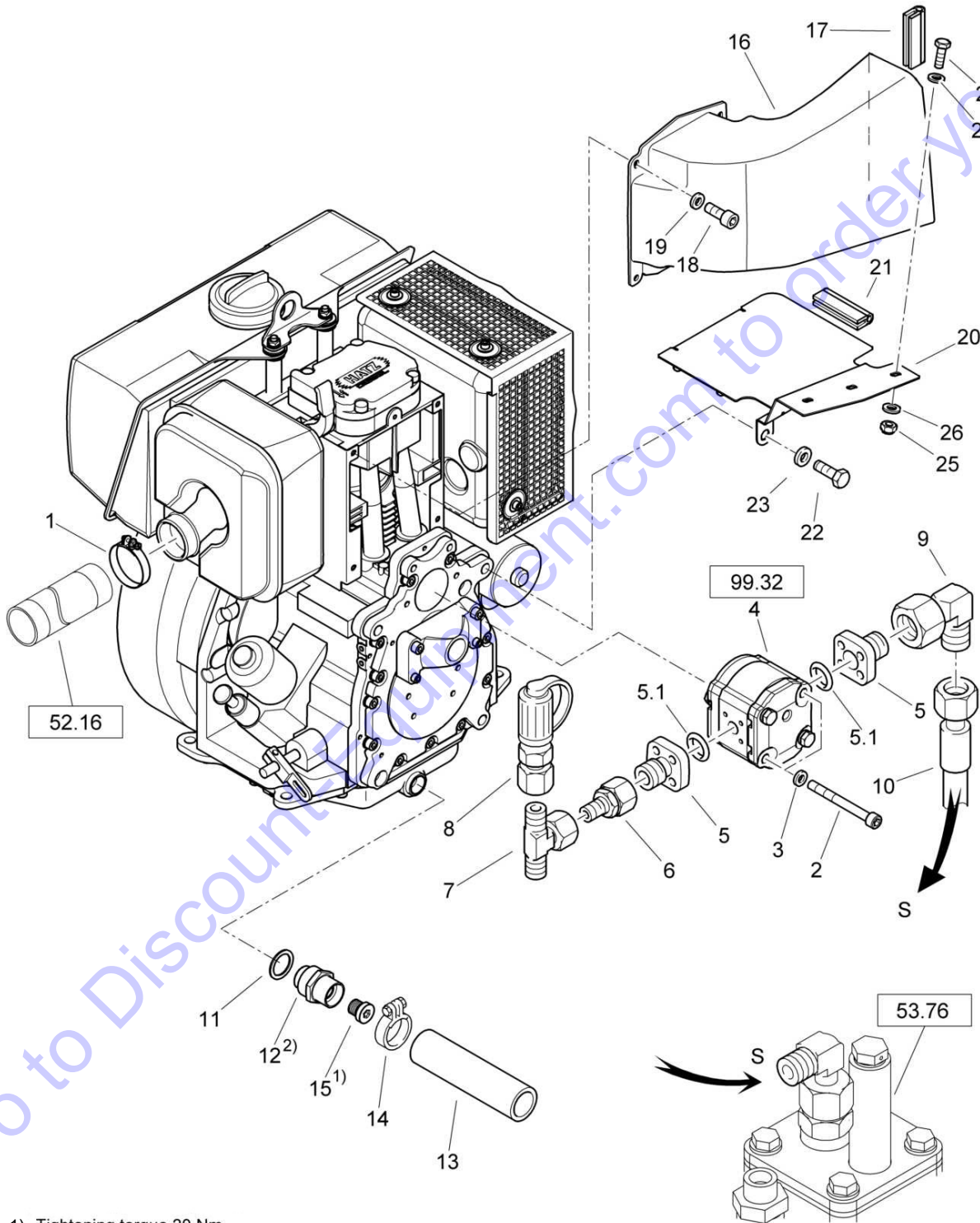
1) Tightening torque 20 Nm

2) Tightening torque 35 Nm

BPR 70/70 D		
S/N 101692634449 ▶		
Engine		<b>12.13</b>
		Page <b>2 / 2</b>
	69040063 1001 1	


Pos.	Part no.	Qty.	Description
1	05552408	1	Hose clip
2	07231064	2	Socket-head cap screw
3	08511021	2	Washer
4	05816283	1	Gear pump
5	05548038	2	Straight flanged union
5.1	06220205	1	Loop ring
6	05542284	1	Reducing union
7	05542172	1	T-union
8	05544031	1	Test connection
9	05542124	1	Angular union
10	05554623	1	Hose assy.ac.WN3111
11	09331768	1	Sealing ring
12	79160011	1	Double-ended union
13	69040389	1	Hose
14	05552405	1	Hose clip
15	05546103	1	Screw plug with seal
16	69040384	1	Discharge air duct
17	00652060	0,40 m	Sealing section
18	07230621	4	Socket-head cap screw
19	08510612	4	Washer
20	69040430	1	Support sheet
21	00652060	0,18 m	Sealing section
22	07131212	1	Hexagon bolt
23	08511324	1	Washer
24	07140629	3	Hexagon bolt
25	08130611	3	Safety nut
26	08510612	6	Washer
27	05723578	1	Batch parts group
27.1	05723439	1	Gear wheel
27.2	08721221	1	Spring washer
27.3	05724224	1	Hexagon nut
27.4	06220459	1	Loop ring

Go to Discount-Equipment.com to order your parts



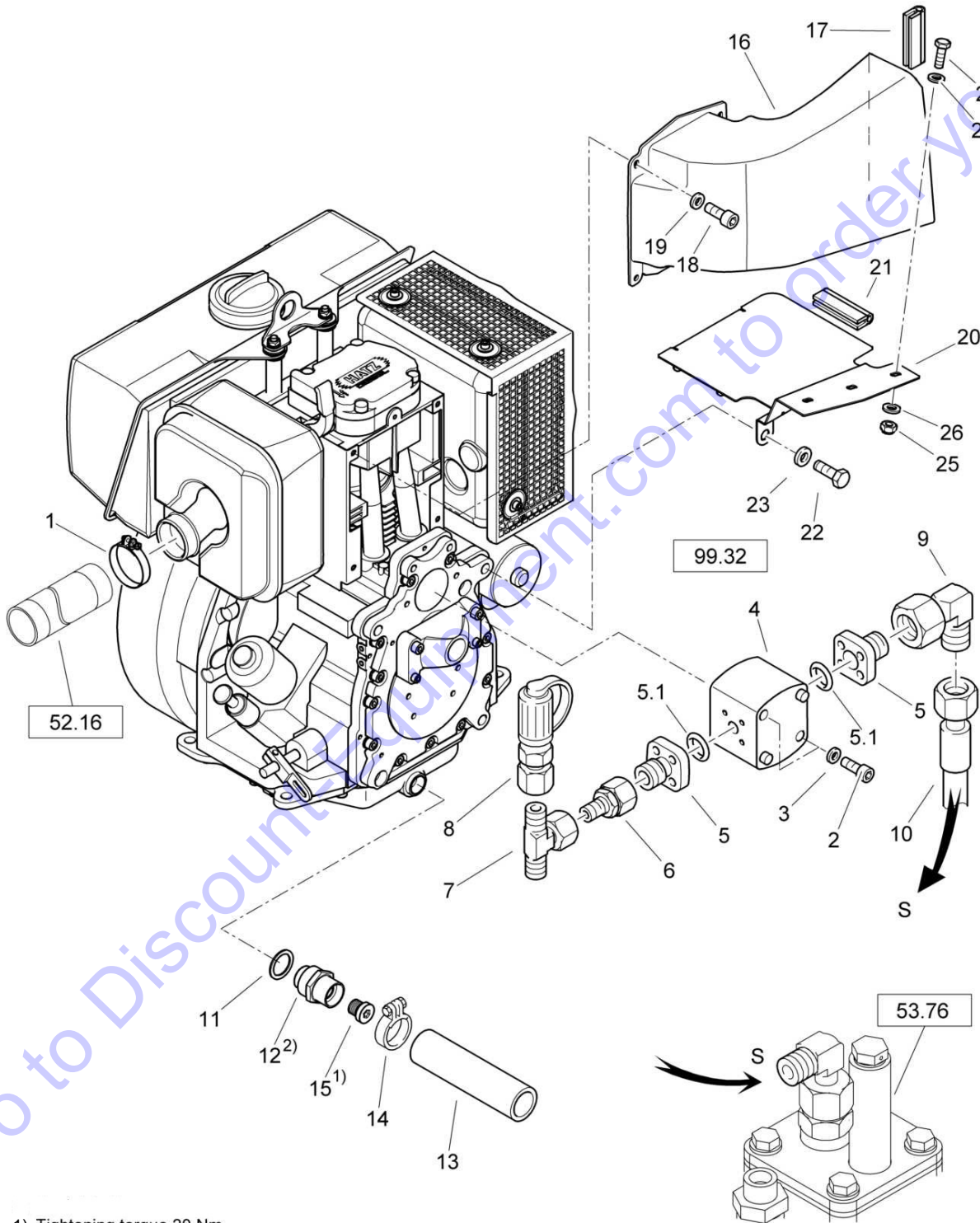
1) Tightening torque 20 Nm

2) Tightening torque 35 Nm

BPR 70/70 D		
S/N 101692633236 ▶ S/N 101692634448		
Engine		<b>12.13</b>
		Page <b>2 / 2</b>
	69040063 1001 1	


Pos.	Part no.	Qty.	Description
1	05552408	1	Hose clip
2	07231064	2	Socket-head cap screw
3	08511021	2	Washer
4	05816283	1	Gear pump
5	05548038	2	Straight flanged union
5.1	06220205	1	Loop ring
6	05542284	1	Reducing union
7	05542172	1	T-union
8	05544031	1	Test connection
9	05542124	1	Angular union
10	05554623	1	Hose assy.ac.WN3111
11	09331768	1	Sealing ring
12	79160011	1	Double-ended union
13	69040389	1	Hose
14	05552405	1	Hose clip
15	05546103	1	Screw plug with seal
16	69040384	1	Discharge air duct
17	00652060	0,40 m	Sealing section
18	07230621	4	Socket-head cap screw
19	08510612	4	Washer
20	69040430	1	Support sheet
21	00652060	0,18 m	Sealing section
22	07131212	1	Hexagon bolt
23	08511324	1	Washer
24	07140629	3	Hexagon bolt
25	08130611	3	Safety nut
26	08510612	6	Washer

Go to Discount-Equipment.com to order your parts



1) Tightening torque 20 Nm

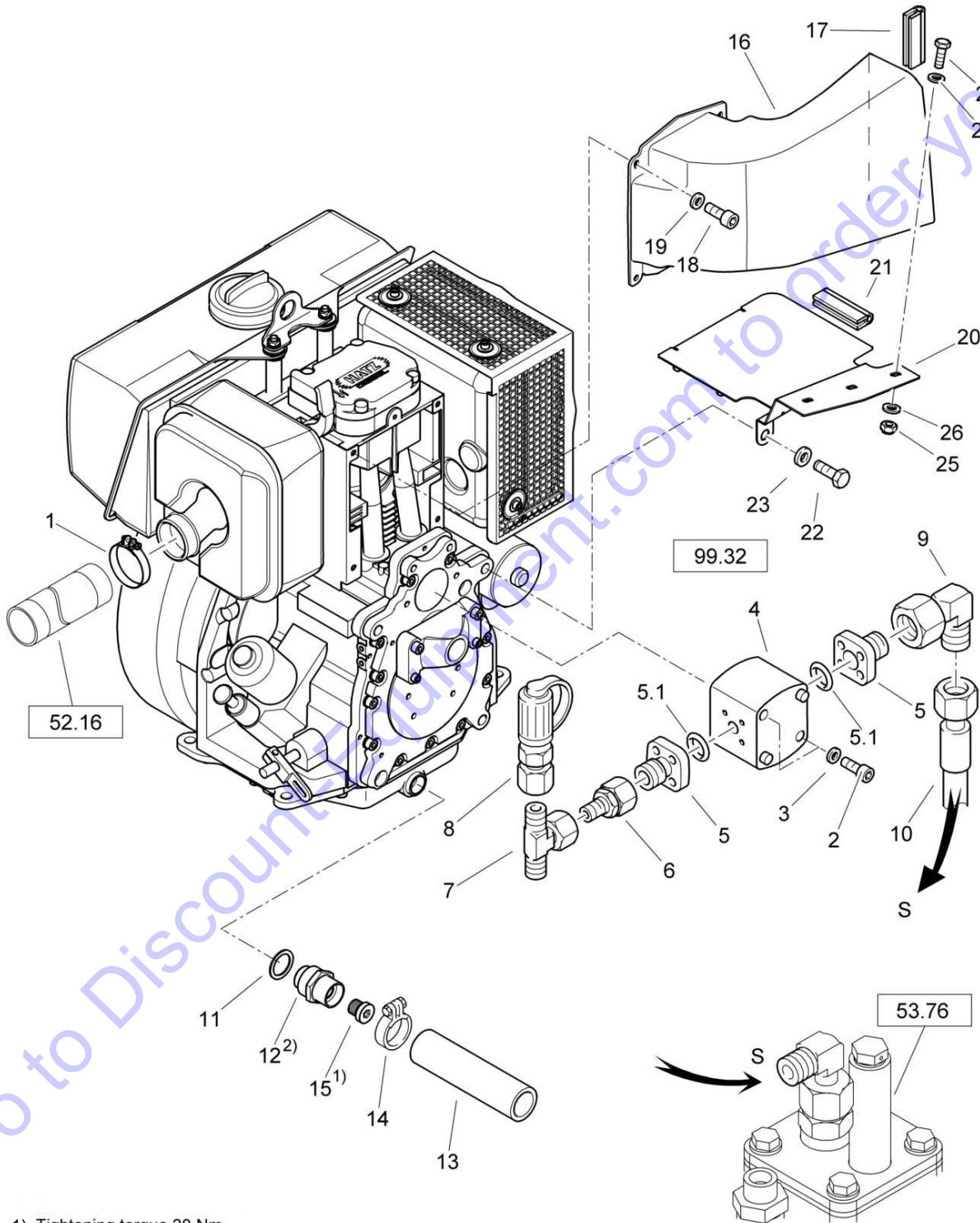
2) Tightening torque 35 Nm

BPR 70/70 D		
S/N 101692631502 ▶ S/N 101692633235		
Engine		<b>12.13</b>
		Page <b>2 / 2</b>
	69040063 1001 1	

Pos.	Part no.	Qty.	Description
1	05552408	1	Hose clip
2	07231062	2	Socket-head cap screw
3	08511021	2	Washer
4	05816232	1	Gear pump
5	05548038	2	Straight flanged union
5.1	06220205	1	Loop ring
6	05542284	1	Reducing union
7	05542172	1	T-union
8	05544031	1	Test connection
9	05542124	1	Angular union
10	05554623	1	Hose assy.ac.WN3111
11	09331768	1	Sealing ring
12	79160011	1	Double-ended union
13	69040389	1	Hose
14	05552405	1	Hose clip
15	05546103	1	Screw plug with seal
16	69040384	1	Discharge air duct
17	00652060	0,40 m	Sealing section
18	07230621	4	Socket-head cap screw
19	08510612	4	Washer
20	69040430	1	Support sheet
21	00652060	0,18 m	Sealing section
22	07131212	1	Hexagon bolt
23	08511324	1	Washer
24	07140629	3	Hexagon bolt
25	08130611	3	Safety nut
26	08510612	6	Washer


Go to Discount-Equipment.com to order your parts






1) Tightening torque 20 Nm

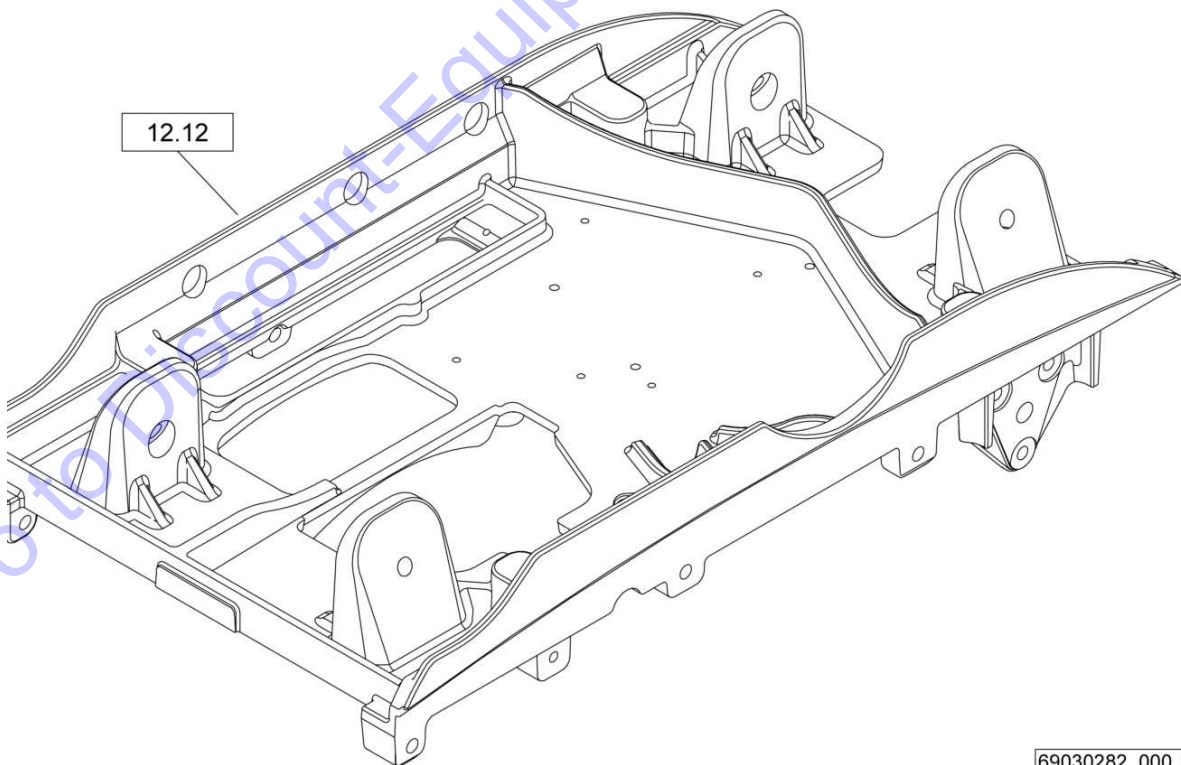
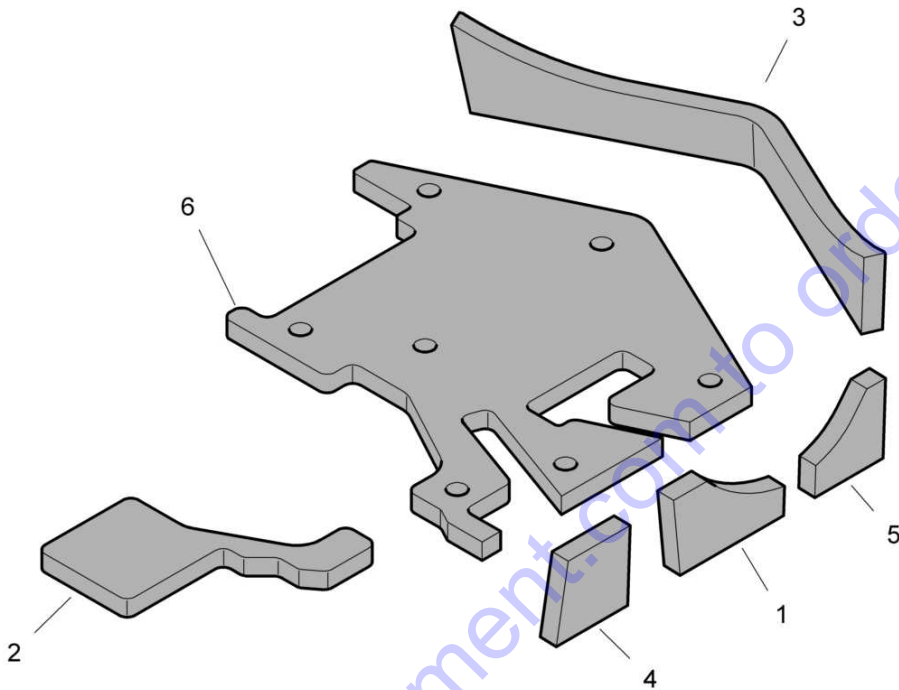
2) Tightening torque 35 Nm

BPR 70/70 D		
S/N 101692631001 ▶ S/N 101692631501		<b>12.13</b>
Engine		Page <b>2 / 2</b>
	69040063 1001 1	


Pos.	Part no. Teilenr.	Qty. Menge	Description	Benennung
1	05552408	1	Hose clip	
2	07231062	2	Socket-head cap screw	
3	08511021	2	Washer	
4	05816232	1	Gear pump	
5	05548038	2	Straight flanged union	
5.1	06220205	1	Loop ring	
6	05542284	1	Reducing union	
7	05542172	1	T-union	
8	05544031	1	Test connection	
9	05542124	1	Angular union	
10	05554623	1	Hose assy.ac.WN3111	
11	09331768	1	Sealing ring	
12	79160011	1	Double-ended union	
13	69040389	1	Hose	
14	05552405	1	Hose clip	
15	05546103	1	Screw plug with seal	
16	69040384	1	Discharge air duct	
17	00652060	0,40 m	Sealing section	
18	07230621	4	Socket-head cap screw	
19	08510612	4	Washer	
20	69040118	1	Support sheet	
21	00652060	0,18 m	Sealing section	
22	07131212	1	Hexagon bolt	
23	08511324	1	Washer	
24	07140629	3	Hexagon bolt	
25	08130611	3	Safety nut	
26	08510612	6	Washer	

Go to Discount-Equipment.com to order your parts

	BPR 70/70 D	
<b>12.24</b>		S/N 101692631001 ▶
	<b>Noise Insulation Kit</b>	
Page <b>1 / 1</b>		
 <b>BOMAG</b> FAYAT GROUP		69030282_000_00



69030282\_000\_00

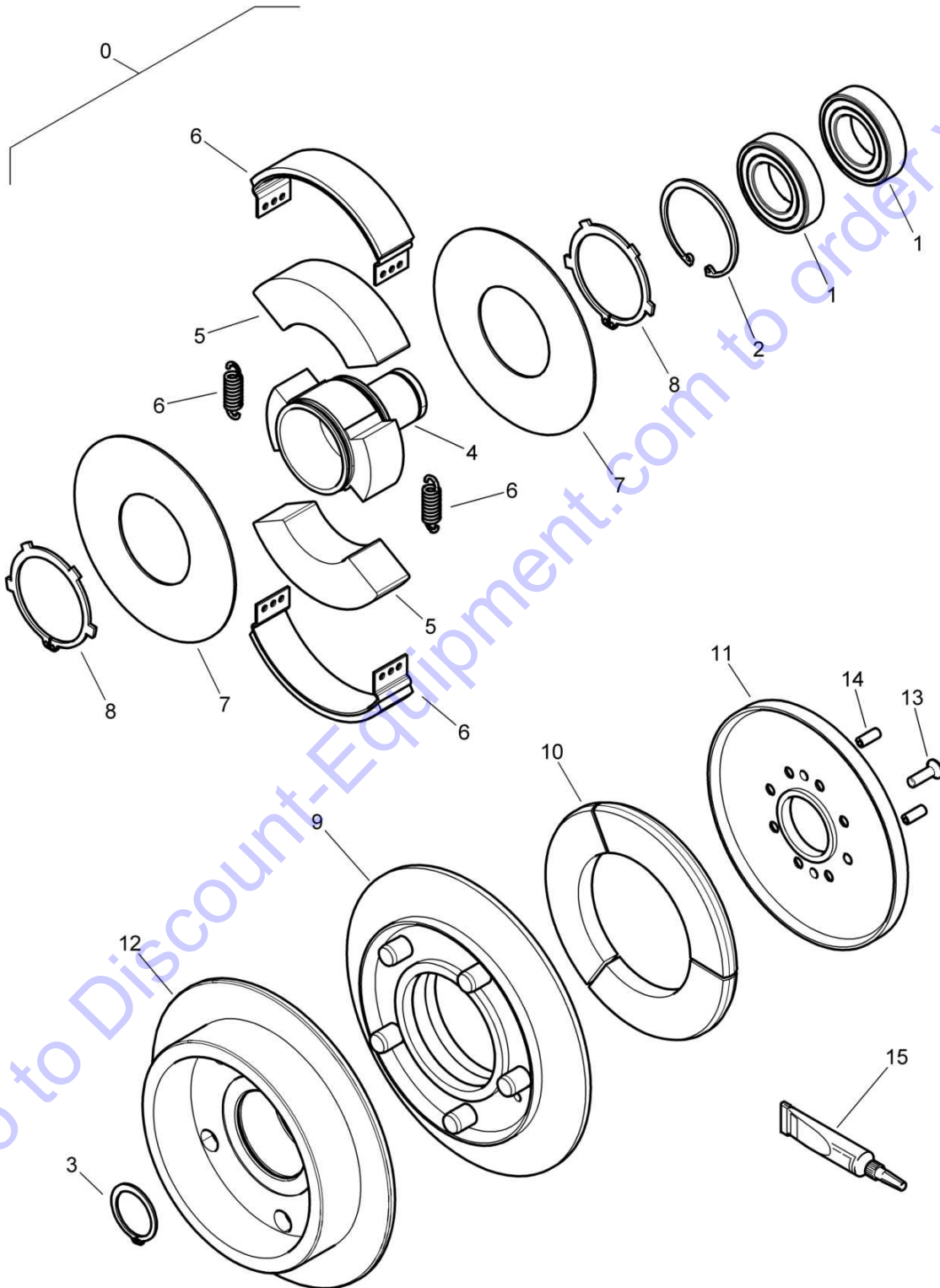
BPR 70/70 D		
S/N 101692631001 ▶		
Noise Insulation Kit		<b>12.24</b>
		Page <b>1 / 1</b>
	69030282 1001 1	


**Pos. Part no. Qty. Description**

1	69030276	1	Insulating mat
2	69030277	1	Insulating mat
3	69030278	1	Insulating mat
4	69030279	1	Insulating mat
5	69030280	1	Insulating mat
6	69030281	1	Insulating mat

Go to Discount-Equipment.com to order your parts

## Centrifugal Clutch

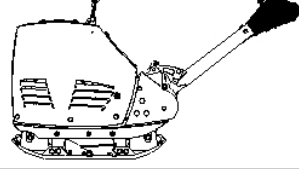


BPR 70/70 D		
S/N 101692631001 ▶		
<b>Centrifugal Clutch</b>		<b>19.07</b>
		Page <b>1 / 1</b>
	EA003093 1001 E	

Pos.	Part no.	Qty.	Description
0	05650154	1	Centrifugal clutch
1	05113306	2	>Ball bearing,grooved
2	09223300	1	>Circlip,internal
3	09211800	1	>Circlip,external
4	05660146	1	>Coupling hub
5	05660152	2	>Centrifugal weight
6	05660190	1	>Repair Kit
7	05660752	2	>Cover disc
8	09240055	2	>Circlip,external
9	05660168	1	>Coupling disc
10	05660170	3	>Centrifugal weight
11	05660218	1	>Covering disc
12	05660217	1	>Coupling housing
13	07320617	8	>>Countersunk screw
14	05660216	2	>Dowel pin
15	05660188	1	Service Parts Paste

Go to Discount-Equipment.com to order your parts

Power Transmission / Actuation



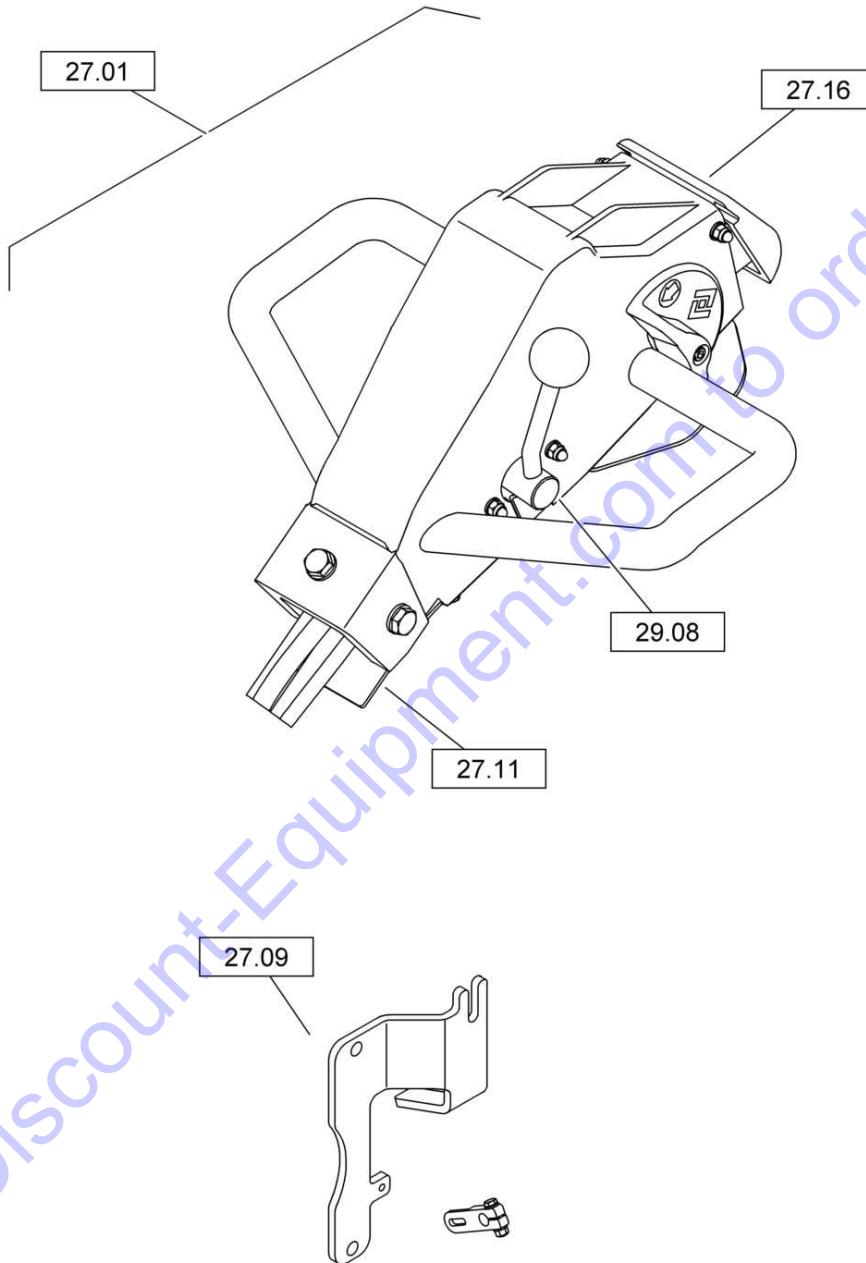
20

Go to [Discount-Equipment.com](http://Discount-Equipment.com) to order your parts

**20.00**

Power Transmission / Actuation

Page /





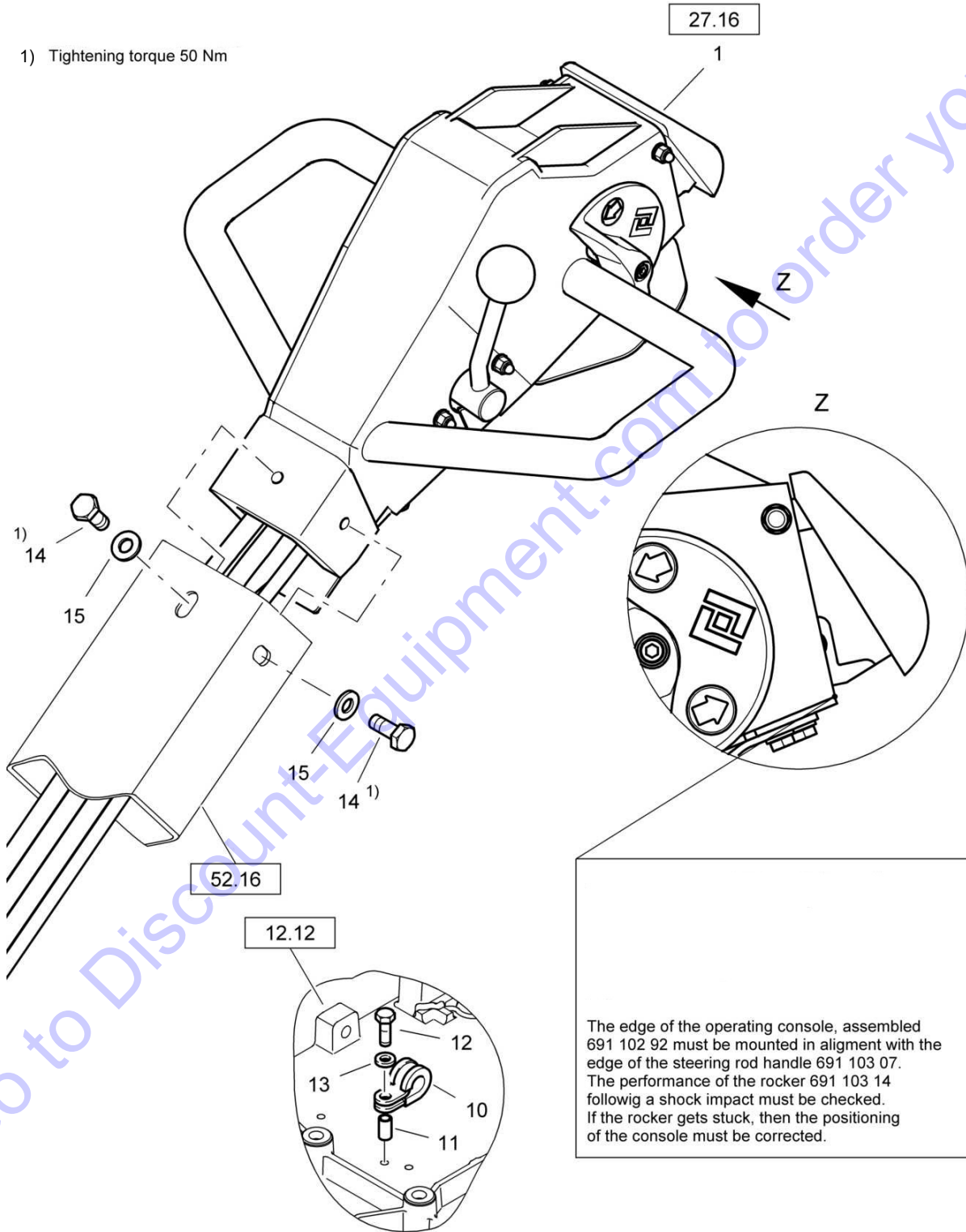
**Pos. Description**


- 27.01 Travel Actuation
- 27.09 Throttle Control
- 27.11 Operating console, assembled
- 27.16 Travel actuation, assembled
- 29.08 Actuat.Cable Throttle Re.

Go to Discount-Equipment.com to order your parts

	BPR 70/70 D	
<b>27.01</b>		S/N 101692631743 ▶
	<b>Travel Actuation</b>	
Page <b>1 / 1</b>		
<b>BOMAG</b> FAYAT GROUP	69110035_000_04	

1) Tightening torque 50 Nm

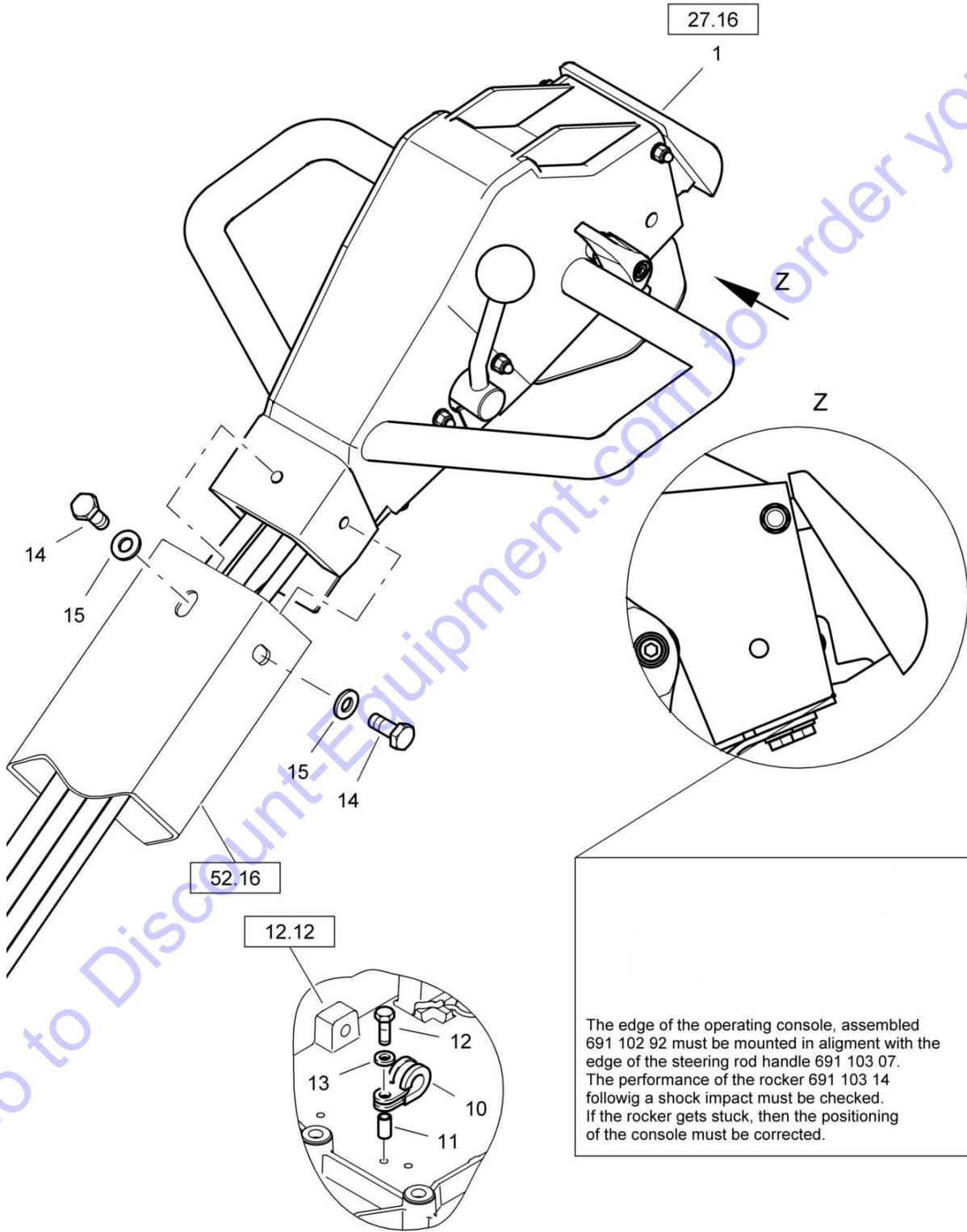



BPR 70/70 D	
S/N 101692631743 ▶	
<b>Travel Actuation</b>	<b>27.01</b>
	Page 1 / 1
	
69110035 1001 1	

Pos.	Part no.	Qty.	Description
1	69110322	1	Travel actuation, assembled
10	05551907	1	Tube clamp
11	68150102	1	Sleeve
12	07140853	1	Hexagon bolt
13	08510817	1	Washer
14	07141023	3	Hexagon bolt
15	08511021	3	Washer

Go to Discount-Equipment.com to order your parts

BPR 70/70 D	
<b>27.01</b>	S/N 101692631502 ▶ S/N 101692631742
	<b>Travel Actuation</b>
Page <b>1 / 1</b>	
<b>BOMAG</b> FAYAT GROUP	69110035_000_03

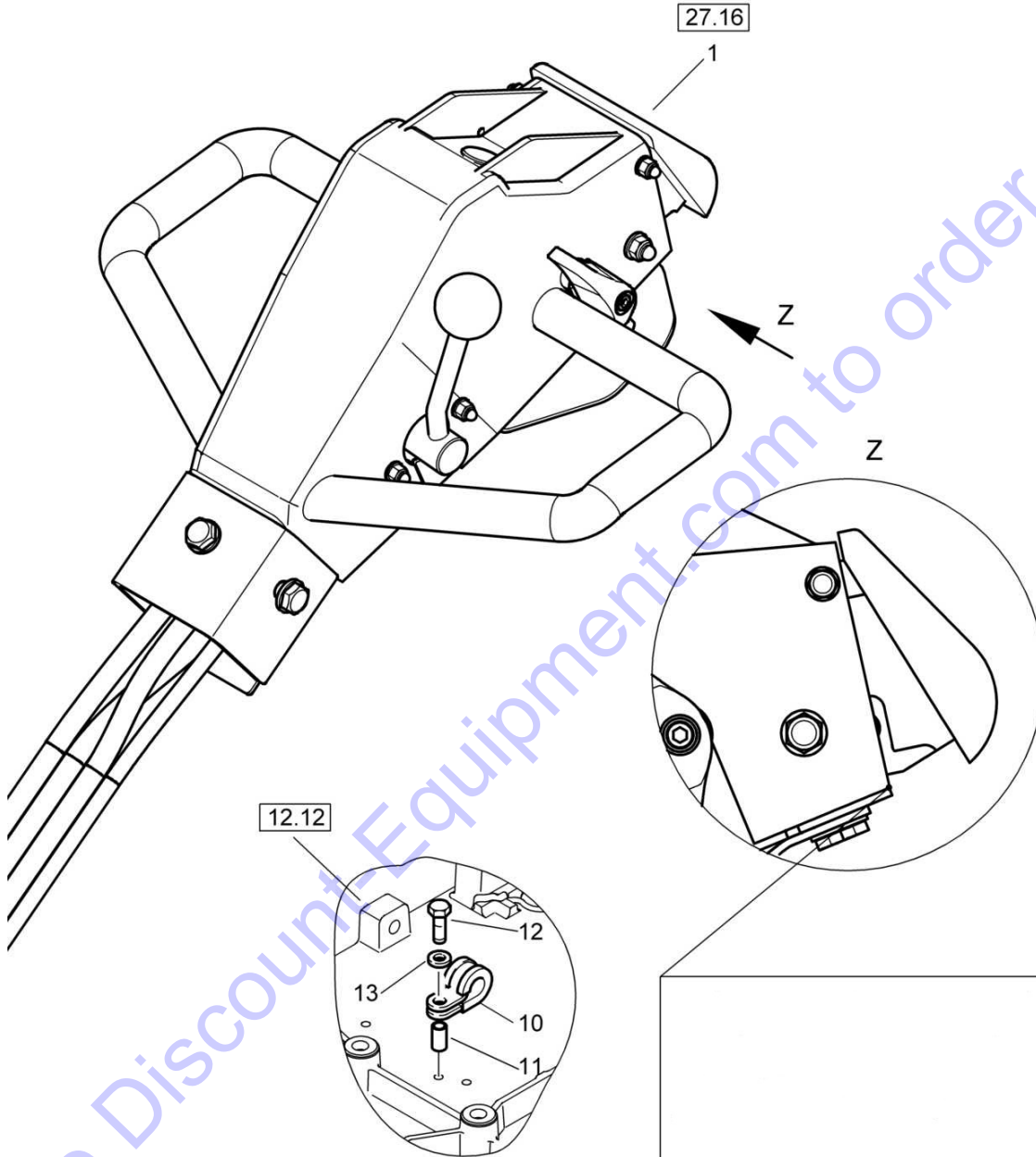


BPR 70/70 D		
S/N 101692631502 ▶ S/N 101692631742		<b>27.01</b>
<b>Travel Actuation</b>		Page <b>1 / 1</b>
69110035 1001 1		


Pos.	Part no.	Qty.	Description
1	69110322	1	Travel actuation, assembled
10	05551907	1	Tube clamp
11	68150102	1	Sleeve
12	07140853	1	Hexagon bolt
13	08510817	1	Washer
14	07141023	3	Hexagon bolt
15	08511021	3	Washer

Go to Discount-Equipment.com to order your parts

	BPR 70/70 D	S/N 101692631213 ▶ S/N 101692631501
<b>27.01</b>	<b>Travel Actuation</b>	
Page <b>1 / 1</b>		
<b>BOMAG</b> FAYAT GROUP	69110035_000_02	



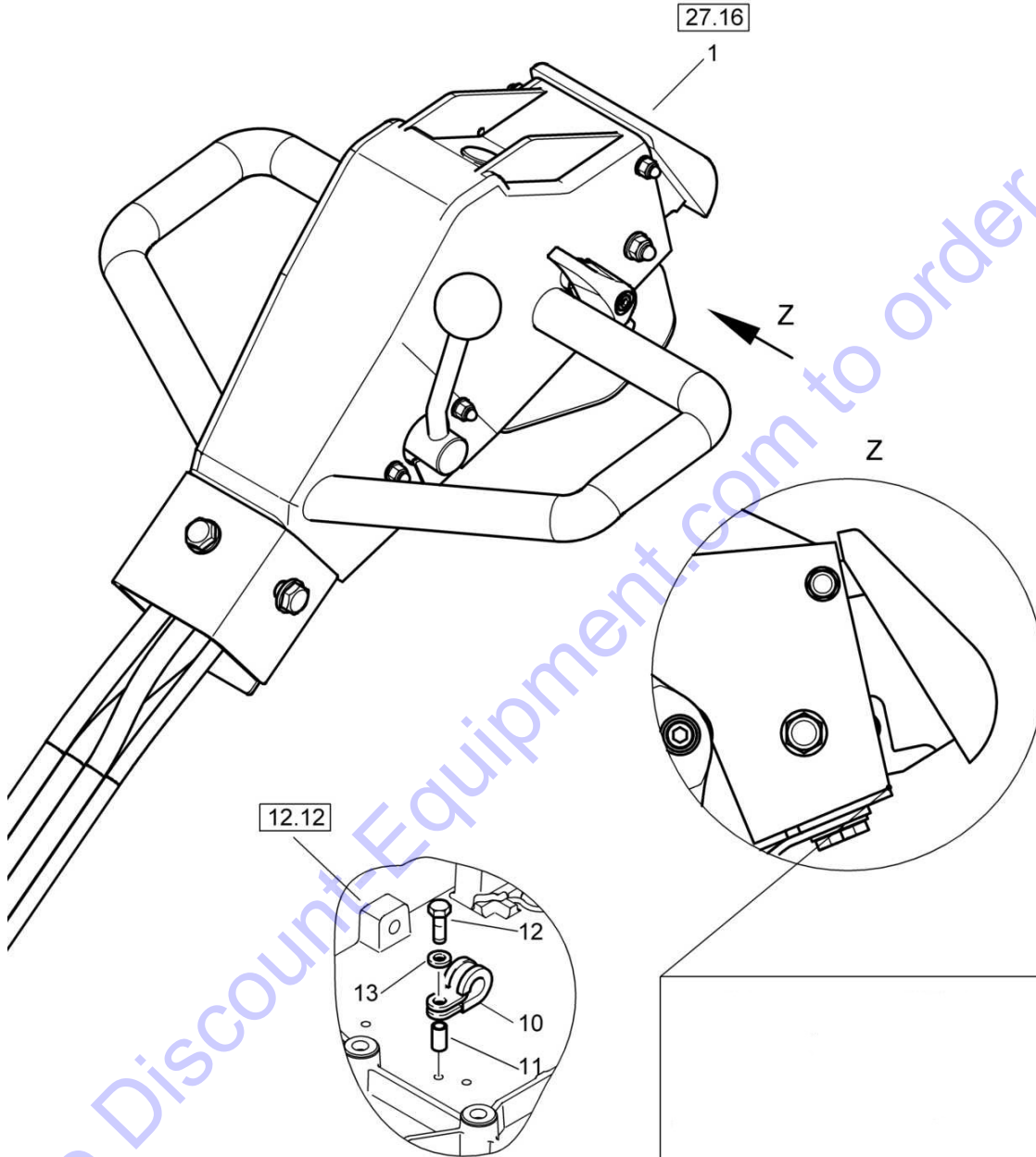
The edge of the operating console, assembled 691 102 92 must be mounted in alignment with the edge of the steering rod handle 691 102 01. The performance of the rocker 691 103 14 following a shock impact must be checked. If the rocker gets stuck, then the positioning of the console must be corrected.

BPR 70/70 D		
S/N 101692631213 ▶ S/N 101692631501		<b>27.01</b>
<b>Travel Actuation</b>		Page <b>1 / 1</b>
69110035 1001 1		

Pos.	Part no.	Qty.	Description
1	69110230	1	Travel actuation, assembled
10	05551907	1	Tube clamp
11	68150102	1	Sleeve
12	07140853	1	Hexagon bolt
13	08510817	1	Washer


Go to Discount-Equipment.com to order your parts

	BPR 70/70 D	S/N 101692631001 ▶ S/N 101692631212
<b>27.01</b>	<b>Travel Actuation</b>	
Page <b>1 / 1</b>		
<b>BOMAG</b> FAYAT GROUP	69110035_000_01	



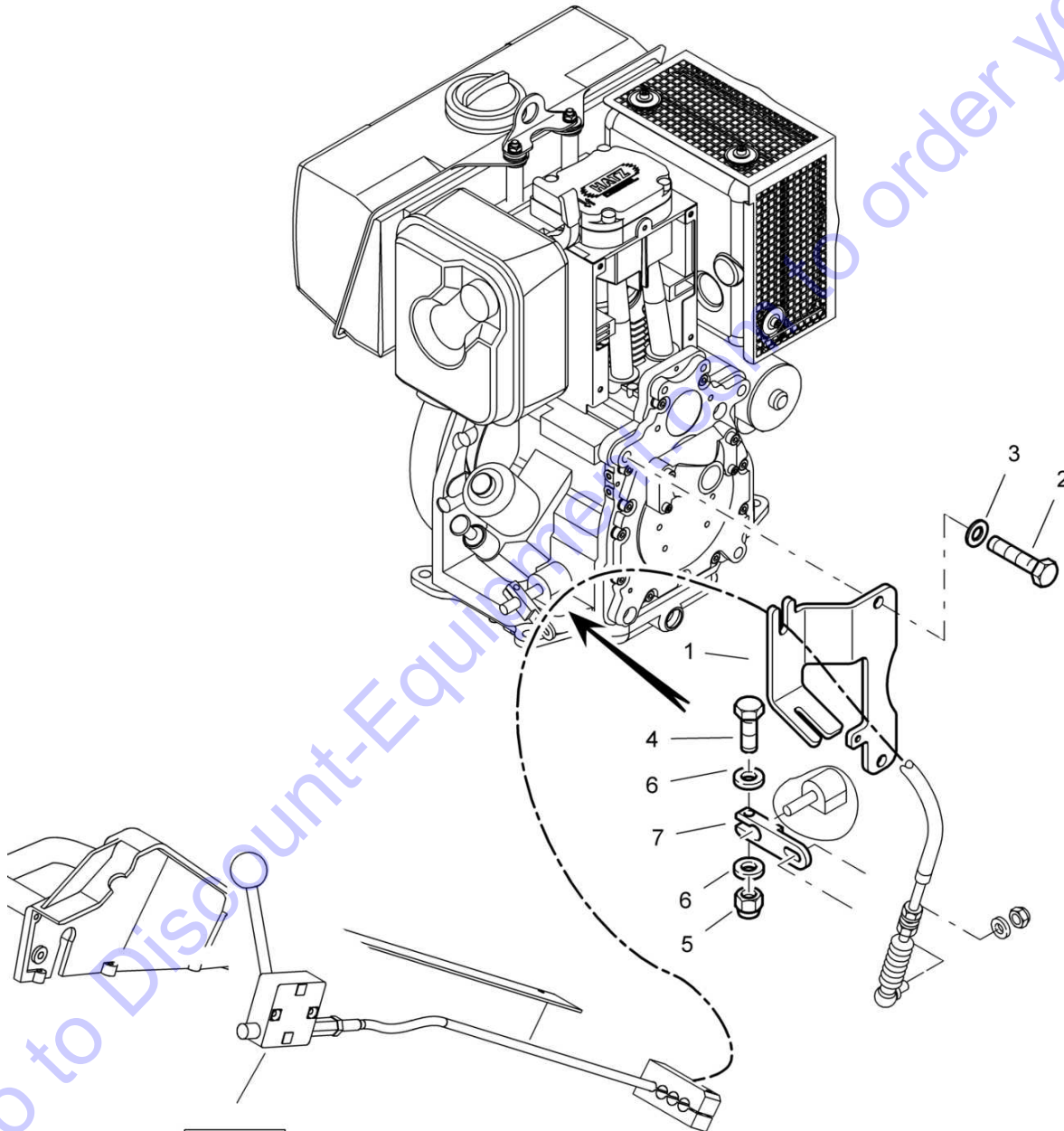
The edge of the operating console, assembled 691 102 92 must be mounted in alignment with the edge of the steering rod handle 691 102 01. The performance of the rocker 691 102 27 following a shock impact must be checked. If the rocker gets stuck, then the positioning of the console must be corrected.




BPR 70/70 D		
S/N 101692631001 ▶ S/N 101692631212		<b>27.01</b>
<b>Travel Actuation</b>		Page <b>1 / 1</b>
		
		69110035 1001 1

Pos.	Part no.	Qty.	Description
1	69110230	1	Travel actuation, assembled
10	05551907	1	Tube clamp
11	68150102	1	Sleeve
12	07140853	1	Hexagon bolt
13	08510817	1	Washer

Go to [Discount-Equipment.com](http://Discount-Equipment.com) to order your parts



27.16/1

BPR 70/70 D		
S/N 101692631001 ▶		<b>27.09</b>
Throttle Control		Page 1 / 1
		
		69100036 1001 1

**Pos. Part no. Qty. Description**

1	69110291	1	Holder
2	07141248	2	Hexagon bolt
3	08511324	2	Washer
4	07140649	1	Hexagon bolt
5	08130611	2	Safety nut
6	08510612	1	Washer
7	82050507	1	Lever

Go to Discount-Equipment.com to order your parts

BPR 70/70 D

S/N 101692631001 ▶

**27.11**

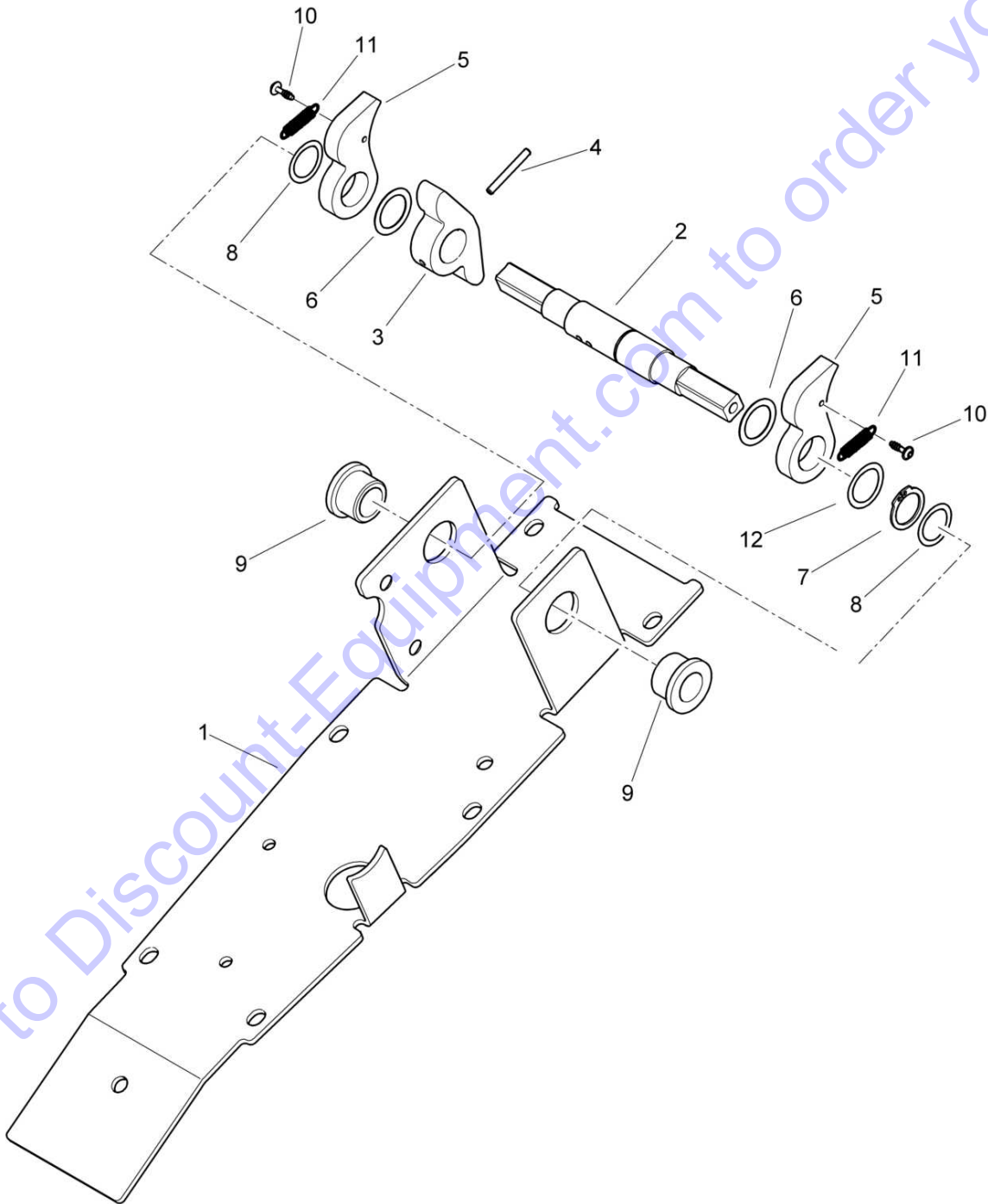
Operating console, assembled

Page **1 / 1**




69110292\_000\_00

Go to Discount-Equipment.com to order your parts



69110292\_000\_00

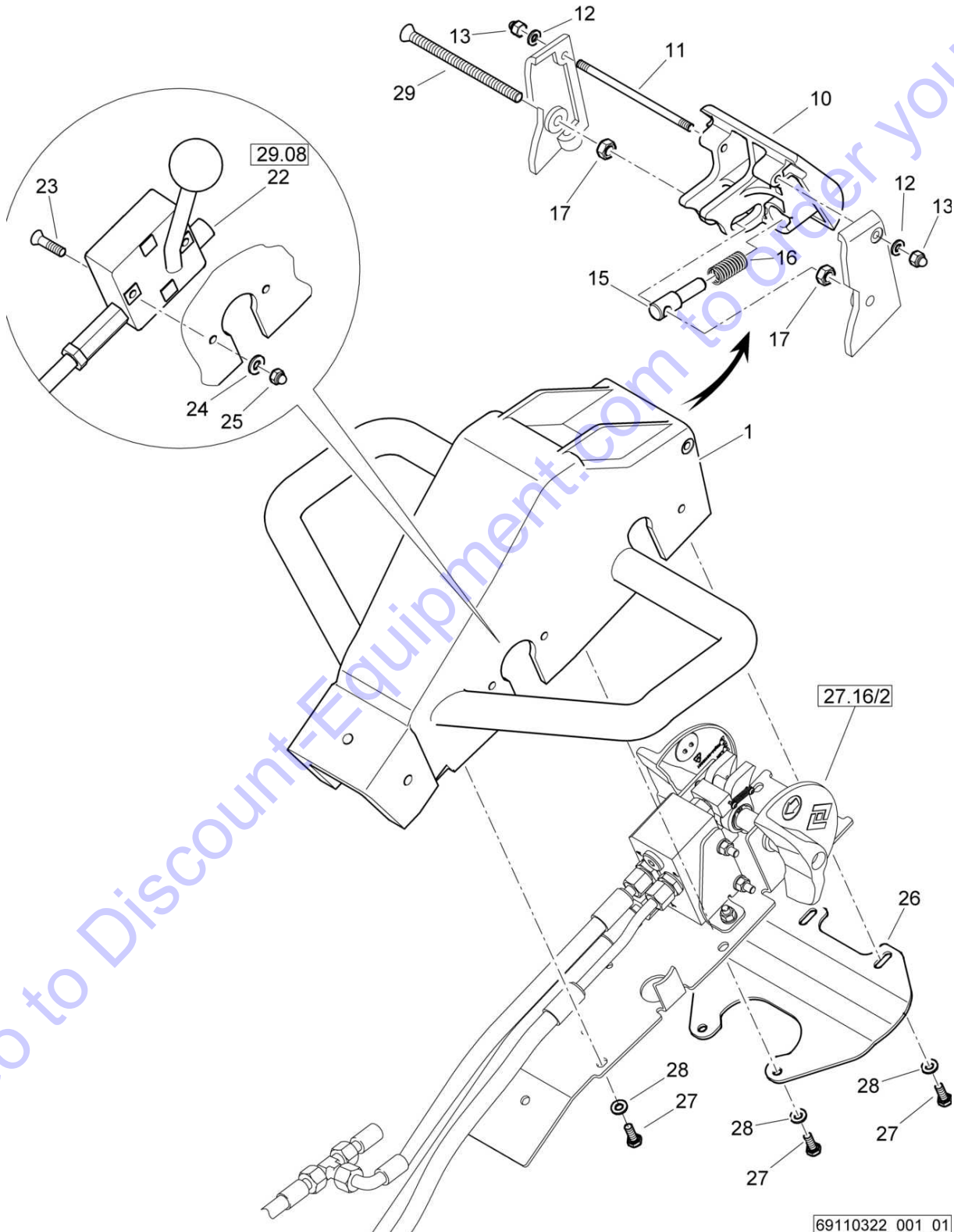
BPR 70/70 D	
S/N 101692631001 ▶	
Operating console, assembled	<b>27.11</b>
	Page 1 / 1
	
69110292 1001 1	


Pos.	Part no.	Qty.	Description
1	69110290	1	Console
2	69110226	1	Shaft
3	69110289	1	Control element
4	09150313	1	Dowel pin
5	69110234	2	Side plate
6	05520305	2	Shim
7	09210400	1	Circlip
8	08602601	2	Spring washer
9	06281116	2	Bushing
10	07815003	2	Fallow drop screw
11	05660443	2	Tension spring
12	08602602	1	Spring washer

Go to Discount-Equipment.com to order your parts

# 27.16

## Travel actuation, assembled



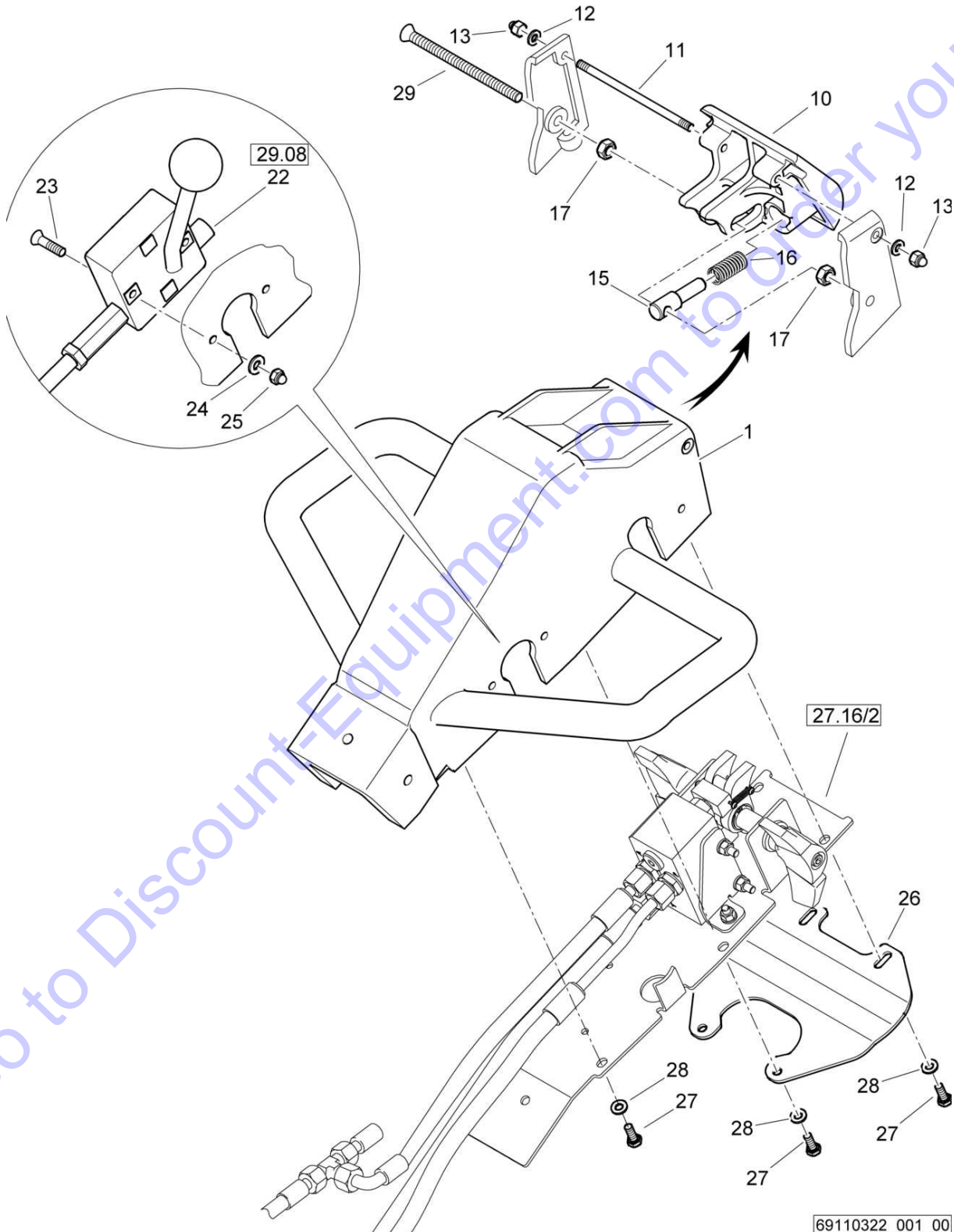
BPR 70/70 D	
S/N 101692631743 ▶	<b>27.16</b>
Travel actuation, assembled	Page <b>1 / 3</b>
69110322 1001 1	

Pos.	Part no.	Qty.	Description
1	69110307	1	Steering rod handle
10	69110314	1	Rocker
11	70130152	1	Threaded rod
12	08510612	2	Washer
13	08240610	2	Domed cap nut
15	69110301	1	Journal
16	05661329	1	Pressure spring
17	08110813	2	Hexagon nut
22	05561598	1	Throttle control
23	07320641	2	Countersunk screw
24	08510612	2	Washer
25	08240610	2	Domed cap nut
26	69270121	1	Guard
27	07140626	6	Hexagon bolt
28	08510612	6	Washer
29	69110324	1	Countersunk screw


Go to Discount-Equipment.com to order your parts

# 27.16

## Travel actuation, assembled





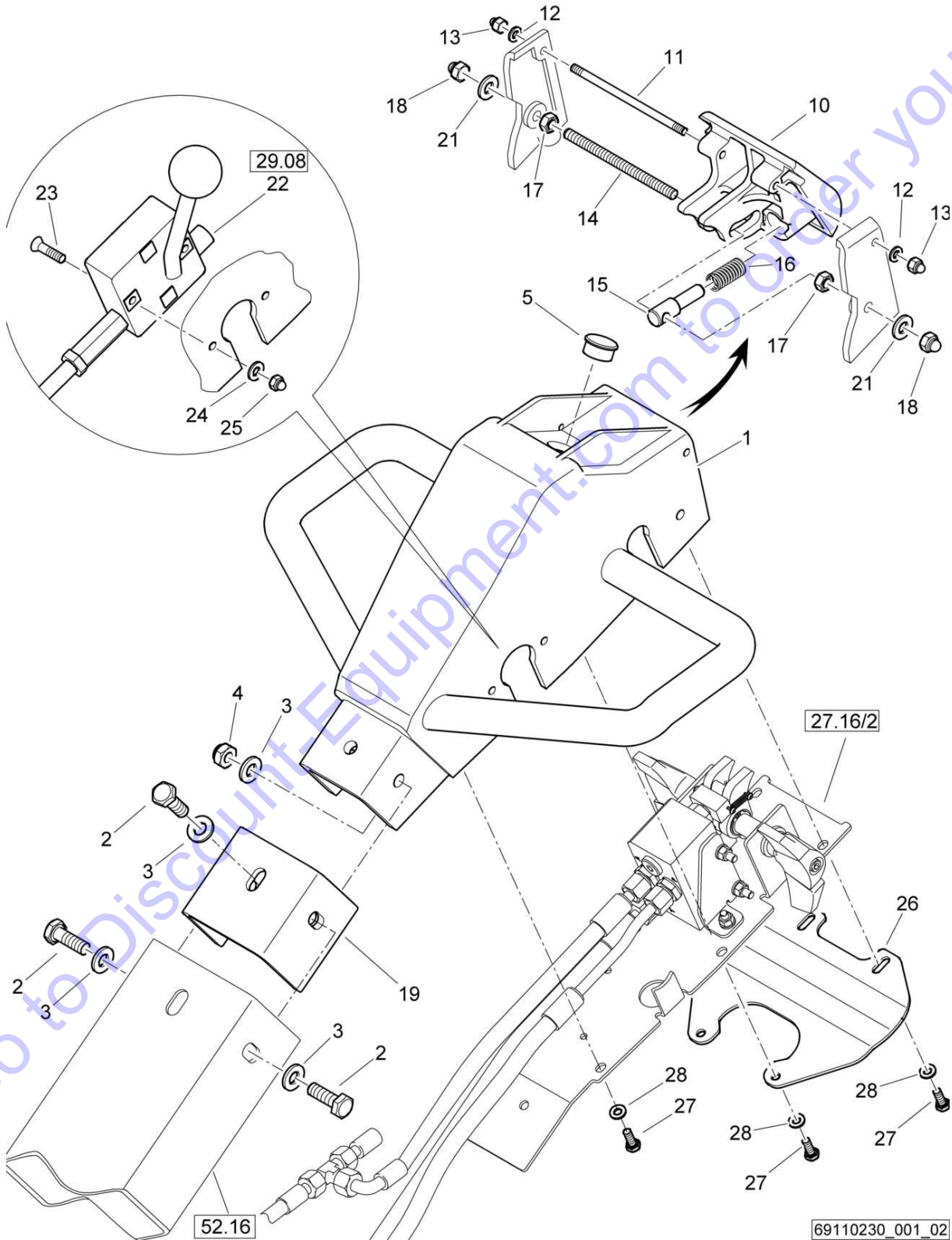
BPR 70/70 D		
S/N 101692631502 ▶ S/N 101692631742		<b>27.16</b>
Travel actuation, assembled		Page <b>1 / 3</b>
69110322 1001 1		


Pos.	Part no.	Qty.	Description
1	69110307	1	Steering rod handle
10	69110314	1	Rocker
11	70130152	1	Threaded rod
12	08510612	2	Washer
13	08240610	2	Domed cap nut
15	69110301	1	Journal
16	05661329	1	Pressure spring
17	08110813	2	Hexagon nut
22	05561598	1	Throttle control
23	07320641	2	Countersunk screw
24	08510612	2	Washer
25	08240610	2	Domed cap nut
26	69270121	1	Guard
27	07140626	6	Hexagon bolt
28	08510612	6	Washer
29	69110324	1	Countersunk screw

Go to Discount-Equipment.com to order your parts

# 27.16

## Travel actuation, assembled



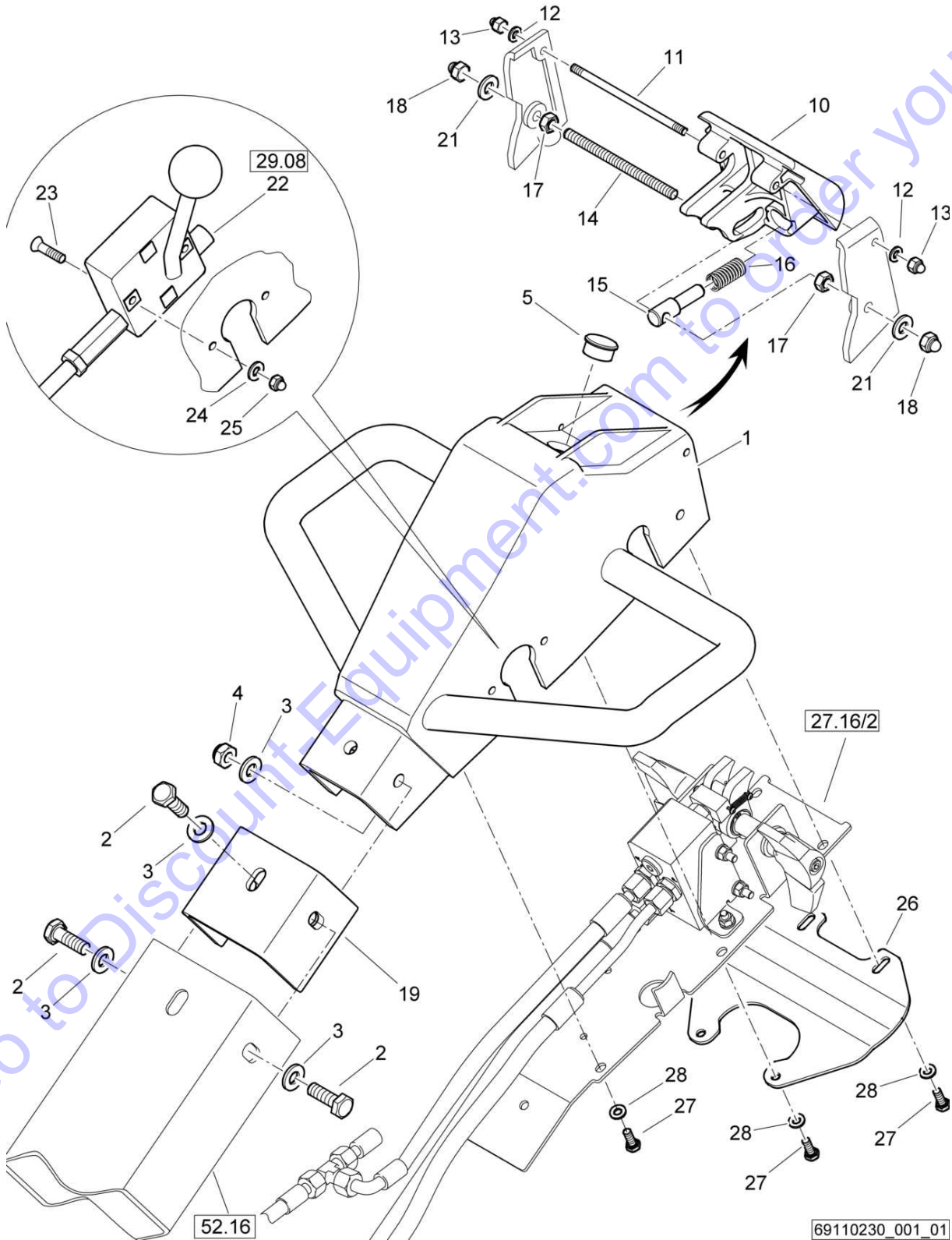
BPR 70/70 D	S/N 101692631213 ▶ S/N 101692631501	<b>27.16</b>
<b>Travel actuation, assembled</b>		
		Page <b>1 / 3</b>
	69110230 1001 1	


Pos.	Part no.	Qty.	Description
1	69110201	1	Steering rod handle
2	07141035	3	Hexagon bolt
3	08511021	6	Washer
4	08131016	3	Safety nut
5	06510177	1	Cover
10	69110314	1	Rocker
11	70130152	1	Threaded rod
12	08510612	2	Washer
13	08240610	2	Domed cap nut
14	69110286	1	Threaded rod
15	69110301	1	Journal
16	05661329	1	Pressure spring
17	08110813	2	Hexagon nut
18	08240812	2	Domed cap nut
19	69110297	1	Adapter
21	08510817	2	Washer
22	05561598	1	Throttle control
23	07320641	2	Countersunk screw
24	08510612	2	Washer
25	08240610	2	Domed cap nut
26	69270121	1	Guard
27	07140626	6	Hexagon bolt
28	08510612	6	Washer

Go to Discount-Equipment.com to order your parts

# 27.16

## Travel actuation, assembled

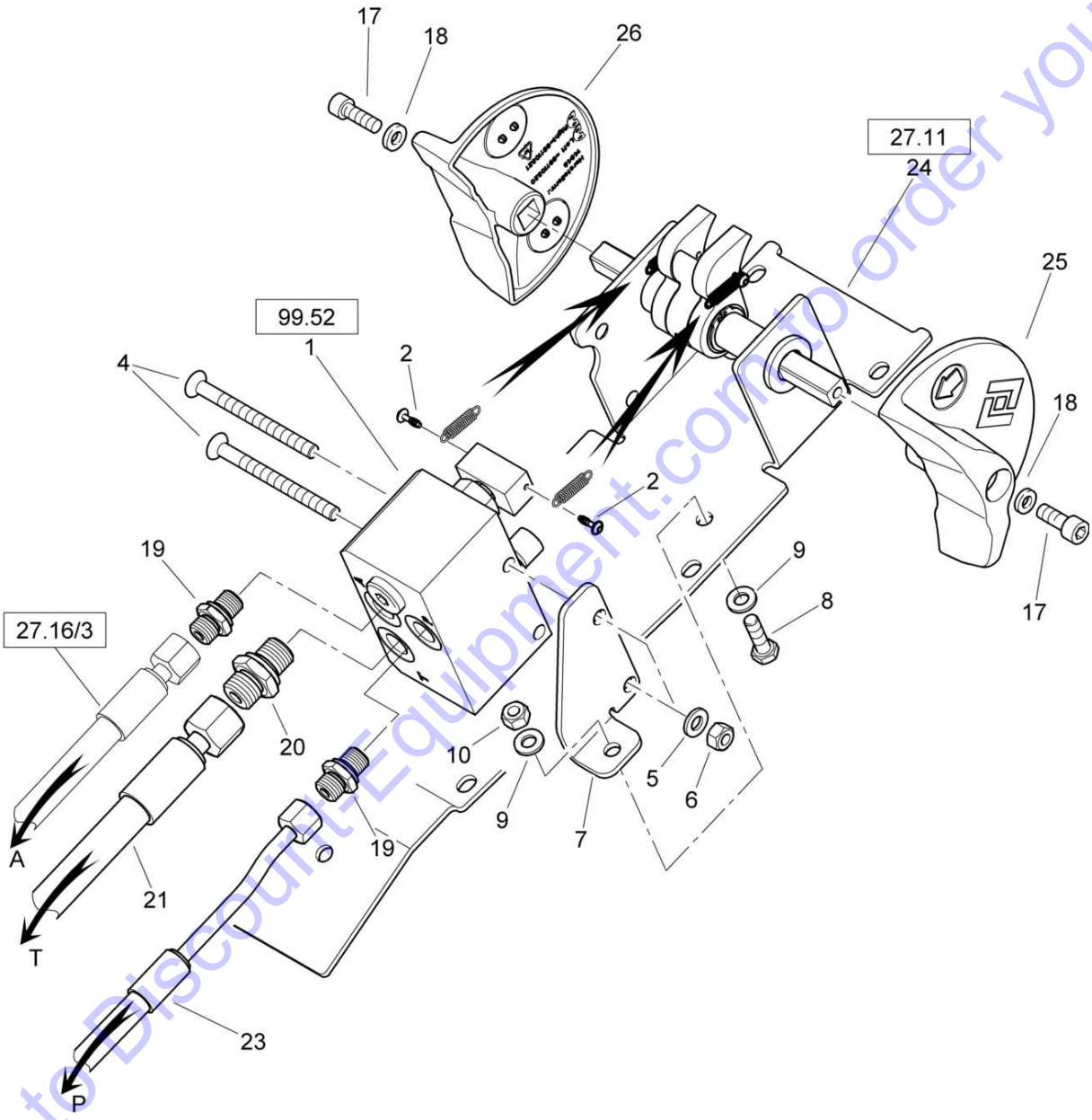



BPR 70/70 D		
S/N 101692631001 ▶ S/N 101692631212		<b>27.16</b>
Travel actuation, assembled		Page <b>1 / 3</b>
69110230 1001 1		

Pos.	Part no.	Qty.	Description
1	69110201	1	Steering rod handle
2	07141035	3	Hexagon bolt
3	08511021	6	Washer
4	08131016	3	Safety nut
5	06510177	1	Cover
10	69110227	1	Rocker
11	70130152	1	Threaded rod
12	08510612	2	Washer
13	08240610	2	Domed cap nut
14	69110286	1	Threaded rod
15	69110301	1	Journal
16	05661329	1	Pressure spring
17	08110813	2	Hexagon nut
18	08240812	2	Domed cap nut
19	69110297	1	Adapter
21	08510817	2	Washer
22	05561598	1	Throttle control
23	07320641	2	Countersunk screw
24	08510612	2	Washer
25	08240610	2	Domed cap nut
26	69270121	1	Guard
27	07140626	6	Hexagon bolt
28	08510612	6	Washer

Go to Discount-Equipment.com to order your parts

	BPR 70/70 D	
<b>27.16</b>		S/N 101692631743 ▶
	Travel actuation, assembled	
Page <b>2 / 3</b>		
<b>BOMAG</b> FAYAT GROUP		69110322_002_01



BPR 70/70 D	
S/N 101692631743 ▶	<b>27.16</b>
Travel actuation, assembled	Page <b>2 / 3</b>
69110322 1001 1	

Pos.	Part no.	Qty.	Description
1	05887793	1	Control valve
2	07815003	2	Fallow drop screw
4	07320657	2	Countersunk screw
5	08510612	2	Washer
6	08130611	2	Safety nut
7	69110204	1	Back stop
8	07140633	1	Hexagon bolt
9	08510612	2	Washer
10	08130611	1	Safety nut
17	07230613	2	Socket-head cap screw
18	08510612	2	Washer
19	05540036	2	Double-ended union
20	05540085	1	Double-ended union
21	05554624	1	Hose assy.ac.WN3111
23	05554626	1	Hydraulic hose
24	69110292	1	Operating console, assembled
25	69110320	1	control handle,left
26	69110321	1	control handle,right

Go to Discount-Equipment.com to order your parts

BPR 70/70 D

S/N 101692631502 ▶ S/N 101692631742

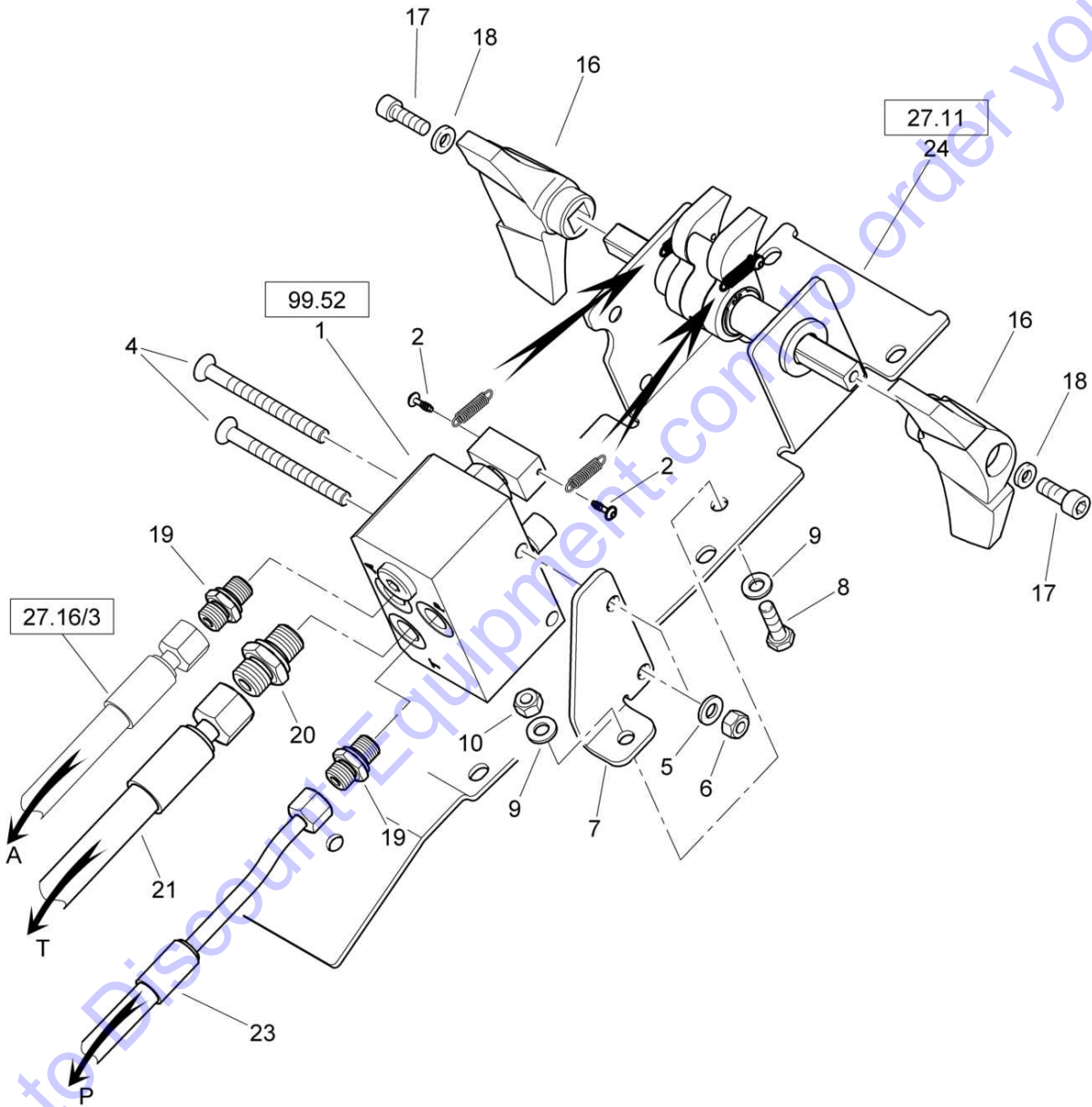
**27.16**

Travel actuation, assembled

Page **2 / 3**




69110322\_002\_00



69110322\_002\_00

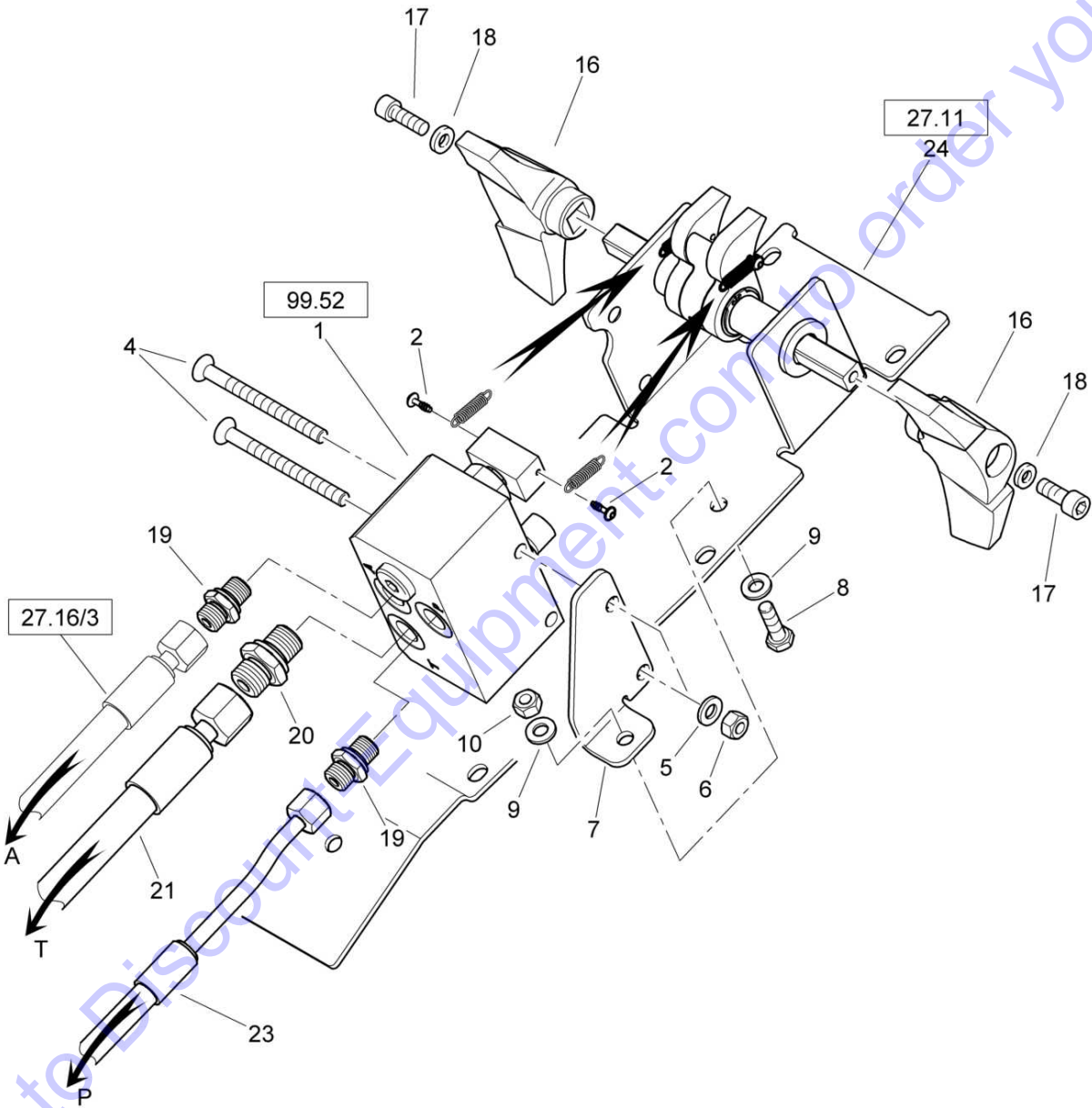



BPR 70/70 D	
S/N 101692631502 ▶ S/N 101692631742	<b>27.16</b>
Travel actuation, assembled	Page <b>2 / 3</b>
69110322 1001 1	

Pos.	Part no.	Qty.	Description
1	05887793	1	Control valve
2	07815003	2	Fallow drop screw
4	07320657	2	Countersunk screw
5	08510612	2	Washer
6	08130611	2	Safety nut
7	69110204	1	Back stop
8	07140633	1	Hexagon bolt
9	08510612	2	Washer
10	08130611	1	Safety nut
16	69270118	2	Handle
17	07230613	2	Socket-head cap screw
18	08510612	2	Washer
19	05540036	2	Double-ended union
20	05540085	1	Double-ended union
21	05554624	1	Hose assy.ac.WN3111
23	05554626	1	Hydraulic hose
24	69110292	1	Operating console, assembled

Go to Discount-Equipment.com to order your parts


BPR 70/70 D	
<b>27.16</b>	S/N 101692631001 ▶ S/N 101692631501
	Travel actuation, assembled
Page <b>2 / 3</b>	
<b>BOMAG</b> FAYAT GROUP	69110230_002_00

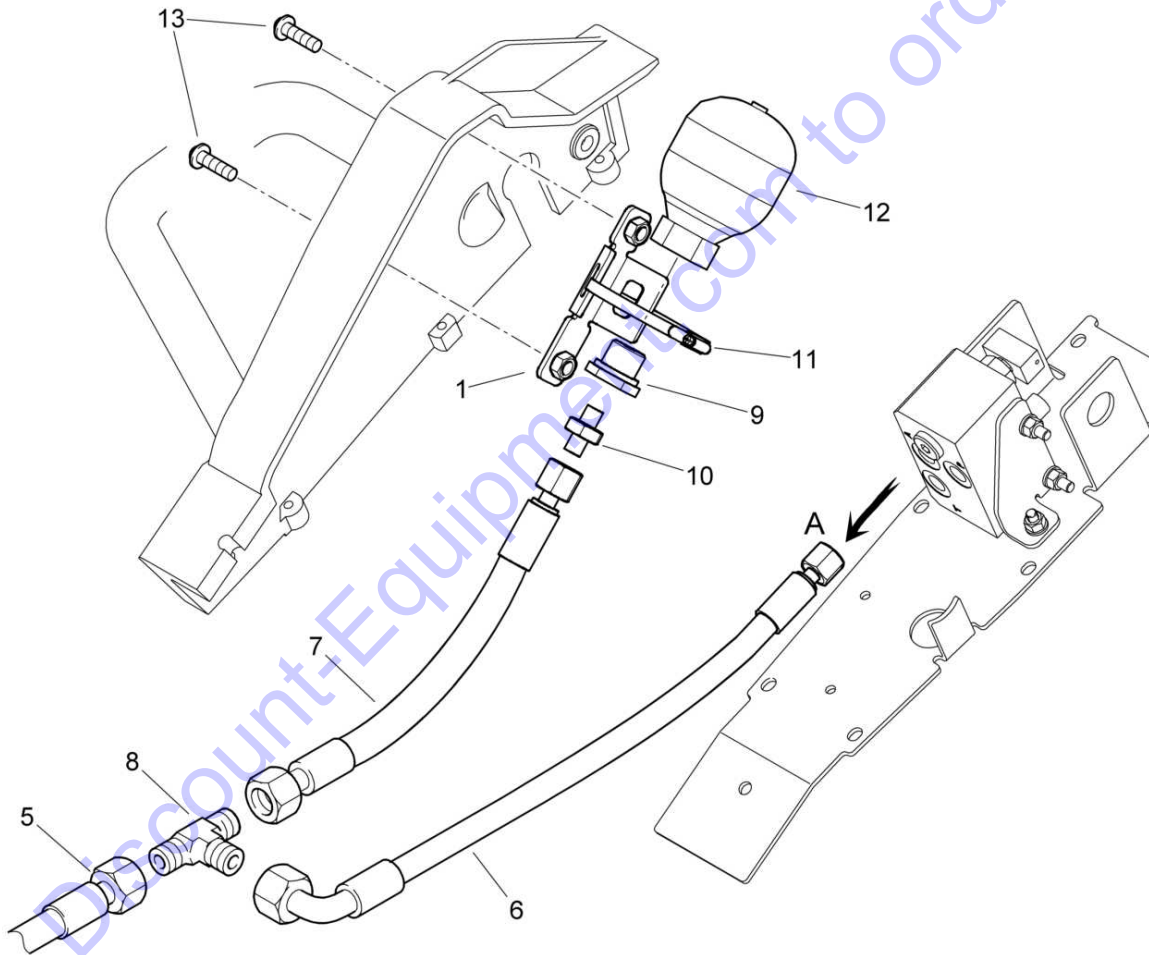



BPR 70/70 D	
S/N 101692631001 ▶ S/N 101692631501	<b>27.16</b>
Travel actuation, assembled	Page <b>2 / 3</b>
69110230 1001 1	

Pos.	Part no.	Qty.	Description
1	05887793	1	Control valve
2	07815003	2	Fallow drop screw
4	07320657	2	Countersunk screw
5	08510612	2	Washer
6	08130611	2	Safety nut
7	69110204	1	Back stop
8	07140633	1	Hexagon bolt
9	08510612	2	Washer
10	08130611	1	Safety nut
16	69270118	2	Handle
17	07230613	2	Socket-head cap screw
18	08510612	2	Washer
19	05540036	2	Double-ended union
20	05540085	1	Double-ended union
21	05554624	1	Hose assy.ac.WN3111
23	05554626	1	Hydraulic hose
24	69110292	1	Operating console, assembled

Go to Discount-Equipment.com to order your parts

	BPR 70/70 D	
<b>27.16</b>		S/N 101692633495 ▶
	Travel actuation, assembled	
Page <b>3 / 3</b>		
 <b>BOMAG</b> FAYAT GROUP		69110322_003_02



BPR 70/70 D	
S/N 101692633495 ▶	<b>27.16</b>
Travel actuation, assembled	Page <b>3 / 3</b>
69110322 1001 1	

Pos.	Part no.	Qty.	Description
1	69110299	1	Plate
5	05555404	1	Hose assy.ac.WN3111
6	05554507	1	Hose assy.ac.WN3111
7	05554781	1	Hose assy.ac.WN3111
8	05540956	1	T-union
9	05542228	1	Reducing union
10	05540036	1	Double-ended union
11	05552422	1	Hose clip
12	05833026	1	Diaphragm accumulator
13	07210896	2	Pens head screw

Go to Discount-Equipment.com to order your parts

BPR 70/70 D

**27.16**

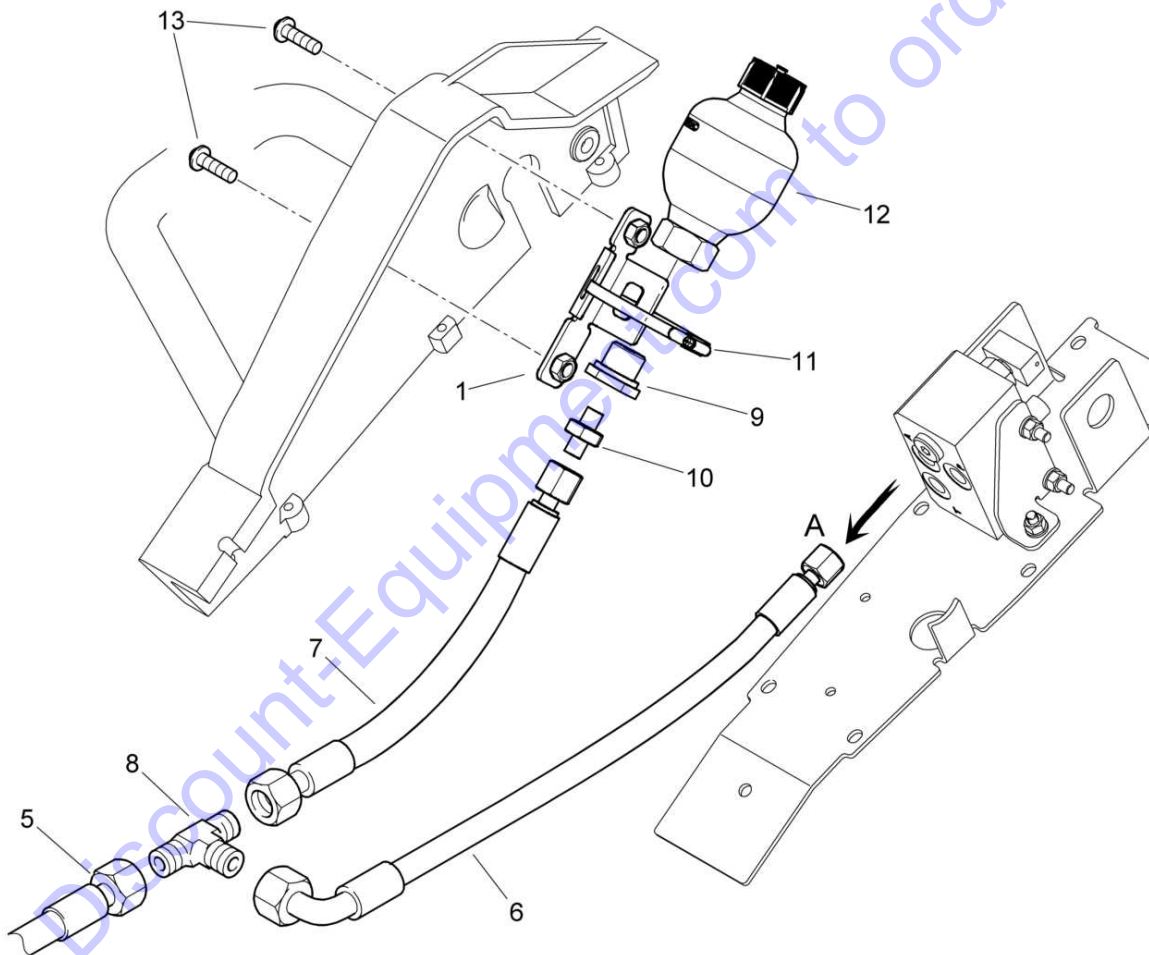
S/N 101692633184 ▶ S/N 101692633494

Page **3 / 3**


Travel actuation, assembled



69110322\_003\_01



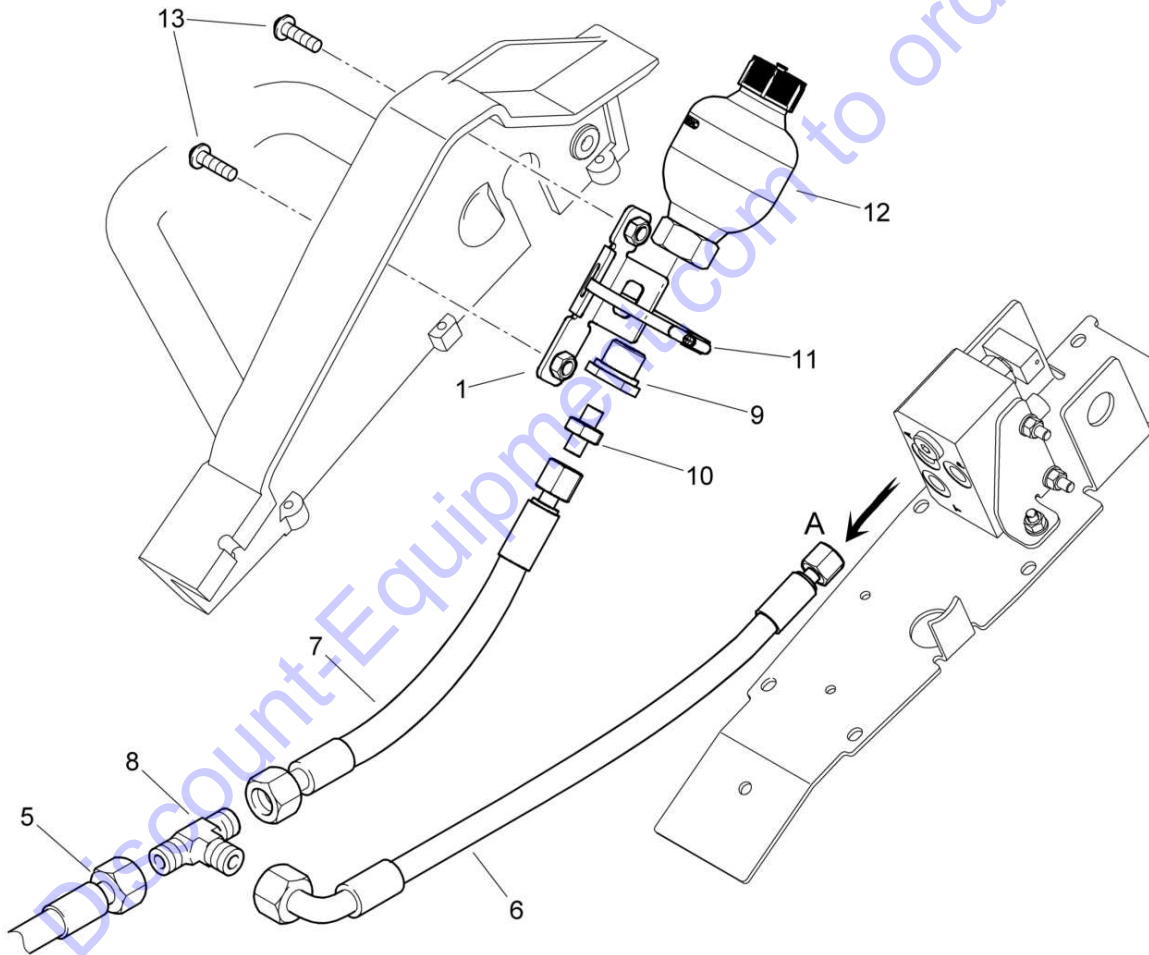
69110322\_003\_01

BPR 70/70 D	
S/N 101692633184 ▶ S/N 101692633494	<b>27.16</b>
Travel actuation, assembled	Page <b>3 / 3</b>
69110322 1001 1	


Pos.	Part no.	Qty.	Description
1	69110299	1	Plate
5	05555404	1	Hose assy.ac.WN3111
6	05554507	1	Hose assy.ac.WN3111
7	05554781	1	Hose assy.ac.WN3111
8	05540956	1	T-union
9	05542228	1	Reducing union
10	05540036	1	Double-ended union
11	05552422	1	Hose clip
12	05833039	1	Diaphragm accumulator
13	07210896	2	Pens head screw

Go to Discount-Equipment.com to order your parts

	BPR 70/70 D	S/N 101692633163 ▶ S/N 101692633183
<b>27.16</b>	<b>Travel actuation, assembled</b>	
Page <b>3 / 3</b>		
<b>BOMAG</b> FAYAT GROUP	69110322_003_01	





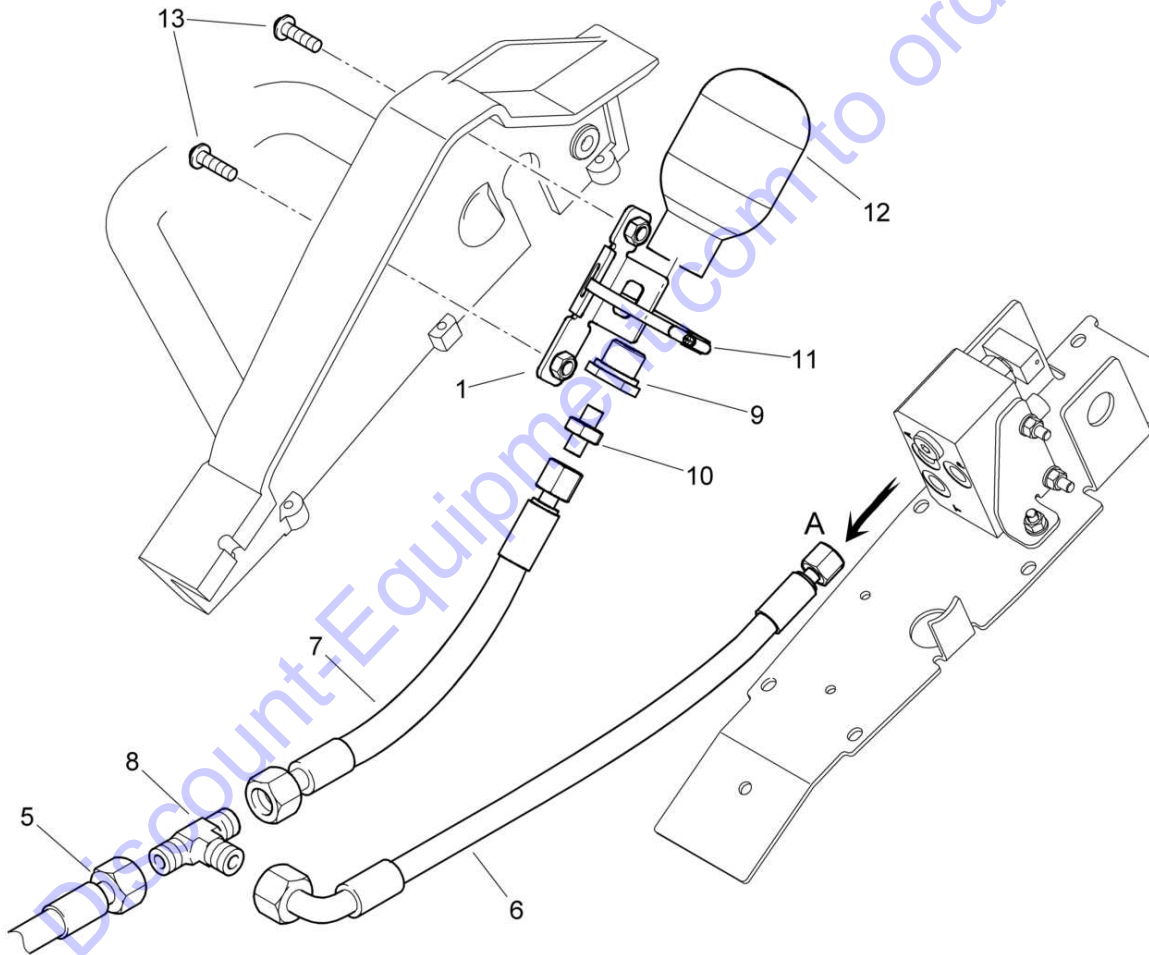
BPR 70/70 D	
S/N 101692633163 ▶ S/N 101692633183	<b>27.16</b>
Travel actuation, assembled	Page <b>3 / 3</b>
69110322 1001 1	


**Pos. Part no. Qty. Description**

1	69110299	1	Plate
5	05555404	1	Hose assy.ac.WN3111
6	05554507	1	Hose assy.ac.WN3111
7	05554781	1	Hose assy.ac.WN3111
8	05540956	1	T-union
9	05542228	1	Reducing union
10	05540036	1	Double-ended union
11	05552422	1	Hose clip
12	05833026	1	Diaphragm accumulator
12	05833039	1	Diaphragm accumulator
13	07210896	2	Pens head screw

Go to Discount-Equipment.com to order your parts

	BPR 70/70 D	S/N 101692631502 ▶ S/N 101692633162
<b>27.16</b>	<b>Travel actuation, assembled</b>	
Page <b>3 / 3</b>		
<b>BOMAG</b> FAYAT GROUP	69110322_003_00	

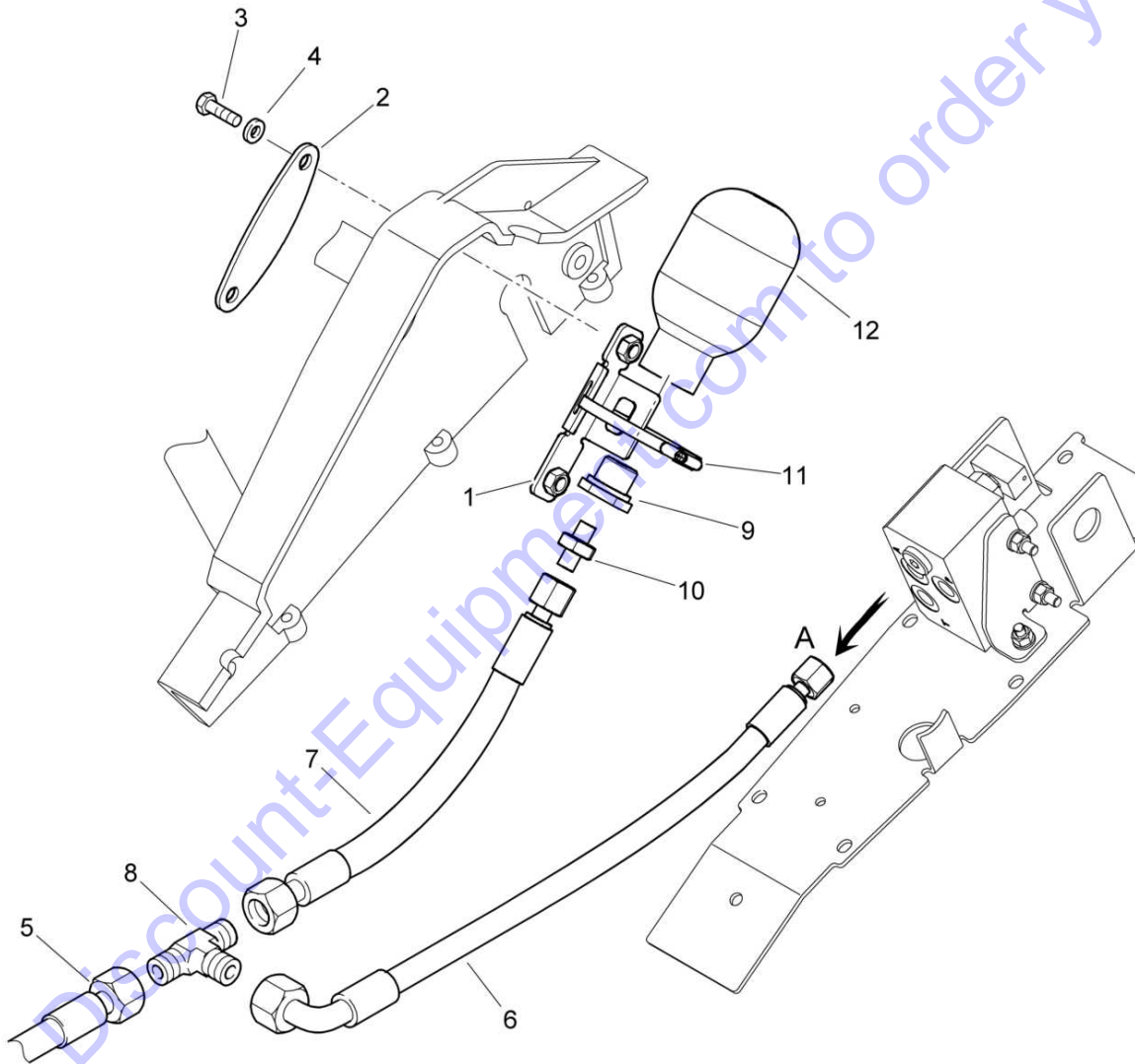



BPR 70/70 D	
S/N 101692631502 ▶ S/N 101692633162	<b>27.16</b>
Travel actuation, assembled	Page <b>3 / 3</b>
69110322 1001 1	

Pos.	Part no.	Qty.	Description
1	69110299	1	Plate
5	05555404	1	Hose assy.ac.WN3111
6	05554507	1	Hose assy.ac.WN3111
7	05554781	1	Hose assy.ac.WN3111
8	05540956	1	T-union
9	05542228	1	Reducing union
10	05540036	1	Double-ended union
11	05552422	1	Hose clip
12	05833026	1	Diaphragm accumulator
13	07210896	2	Pens head screw

Go to Discount-Equipment.com to order your parts

BPR 70/70 D	
<b>27.16</b>	S/N 101692631001 ▶ S/N 101692631501
	Travel actuation, assembled
Page <b>3 / 3</b>	
<b>BOMAG</b> FAYAT GROUP	69110230_003_00

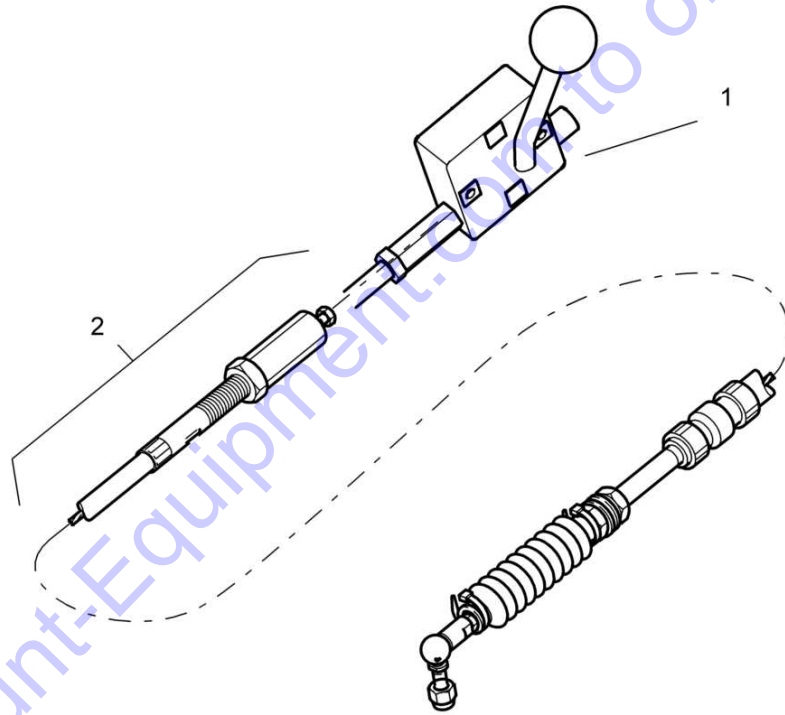
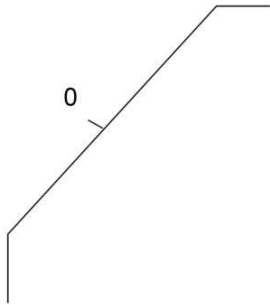



BPR 70/70 D	S/N 101692631001 ▶ S/N 101692631501	<b>27.16</b>
<b>Travel actuation, assembled</b>		
		Page <b>3 / 3</b>
	69110230 1001 1	

Pos.	Part no.	Qty.	Description
1	69110299	1	Plate
2	69110298	1	Plate
3	07140834	2	Hexagon bolt
4	08510817	2	Washer
5	05555404	1	Hose assy.ac.WN3111
6	05554507	1	Hose assy.ac.WN3111
7	05554781	1	Hose assy.ac.WN3111
8	05540956	1	T-union
9	05542228	1	Reducing union
10	05540036	1	Double-ended union
11	05552422	1	Hose clip
12	05833026	1	Diaphragm accumulator

Go to Discount-Equipment.com to order your parts

	BPR 70/70 D
<b>29.08</b>	S/N 101692631001 ▶
	<b>Actuator Cable Throttle Relay</b>
Page <b>1 / 1</b>	
 <b>BOMAG</b> FAYAT GROUP	EA002426_000_00

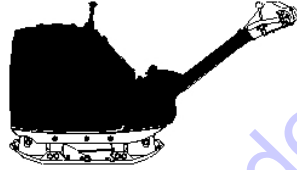


BPR 70/70 D		
S/N 101692631001 ▶		<b>29.08</b>
Actuator Cable Throttle Relay		Page 1 / 1
EA002426 1001 E		

Pos.	Part no.	Qty.	Description
0	05561598	1	Throttle control
1	05566588	1	>Control box with lever
2	05561073	1	>Control

Go to Discount-Equipment.com to order your parts

**Frame with Attachment Parts**



**50**

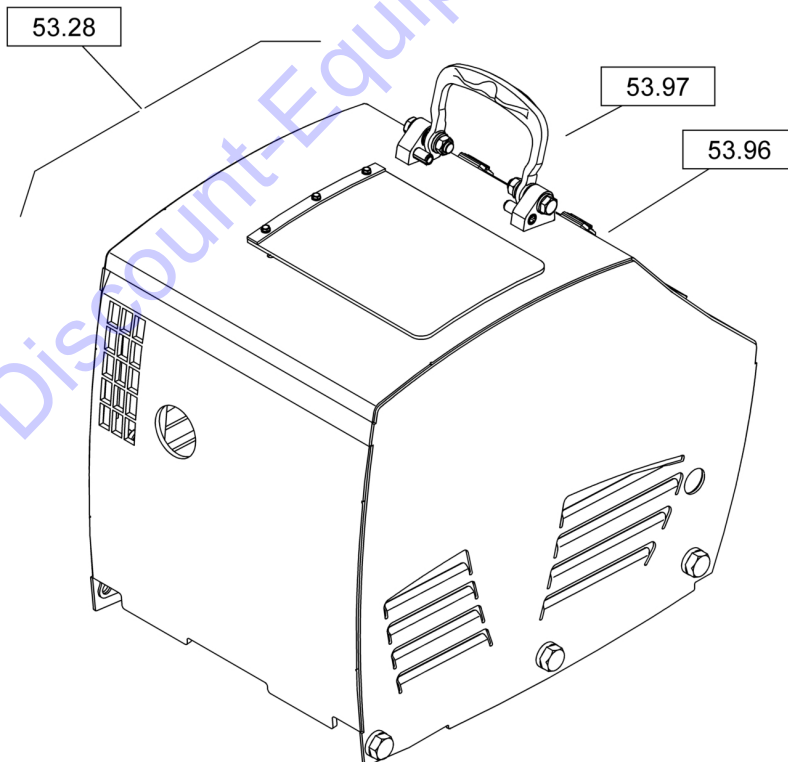
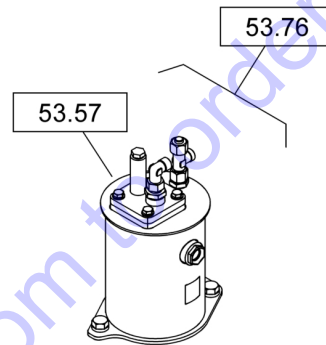
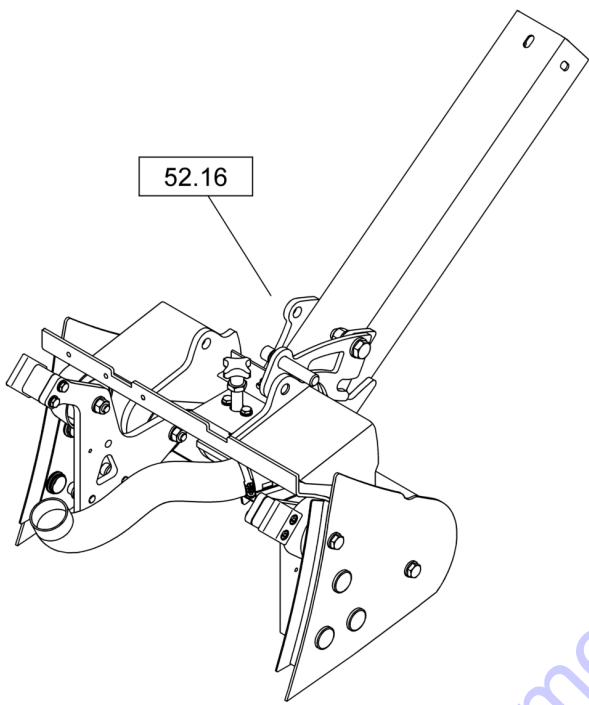
*Go to [Discount-Equipment.com](http://Discount-Equipment.com) to order your parts*



**50.00**

**Frame with Attachment Parts**

Page /



**Frame with Attachment Parts**

**50.00**

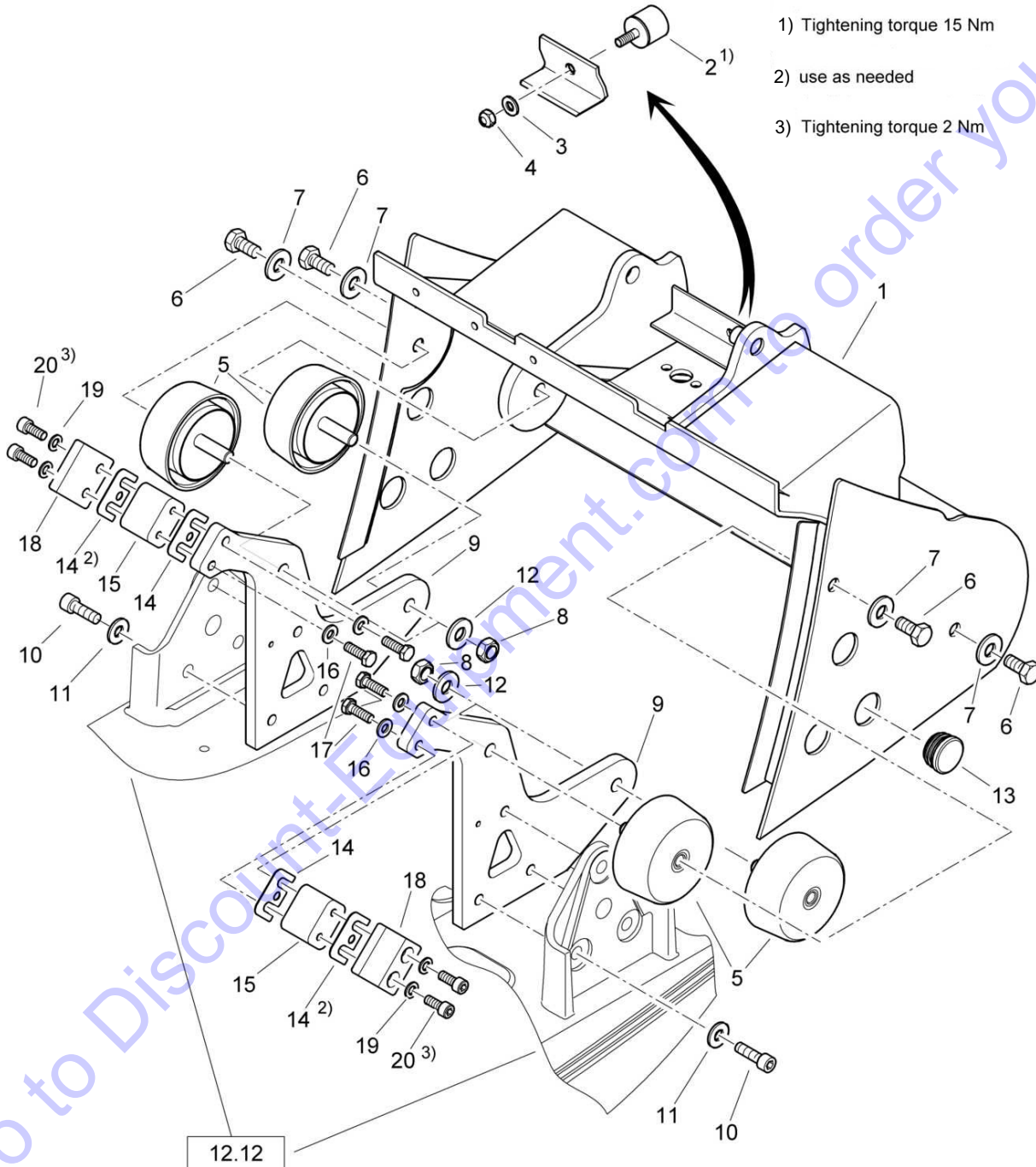
Page /




**Pos. Description**

- 52.16 Steering Handle
- 52.18 Safety crank handle, assembled
- 53.28 Protection hood
- 53.44 Hood, assembled
- 53.57 Hydraulic Tank
- 53.76 Hydraulic Tank, completely
- 53.96 Flap, assembled
- 53.97 Single-point suspens., assembled

Go to Discount-Equipment.com to order your parts



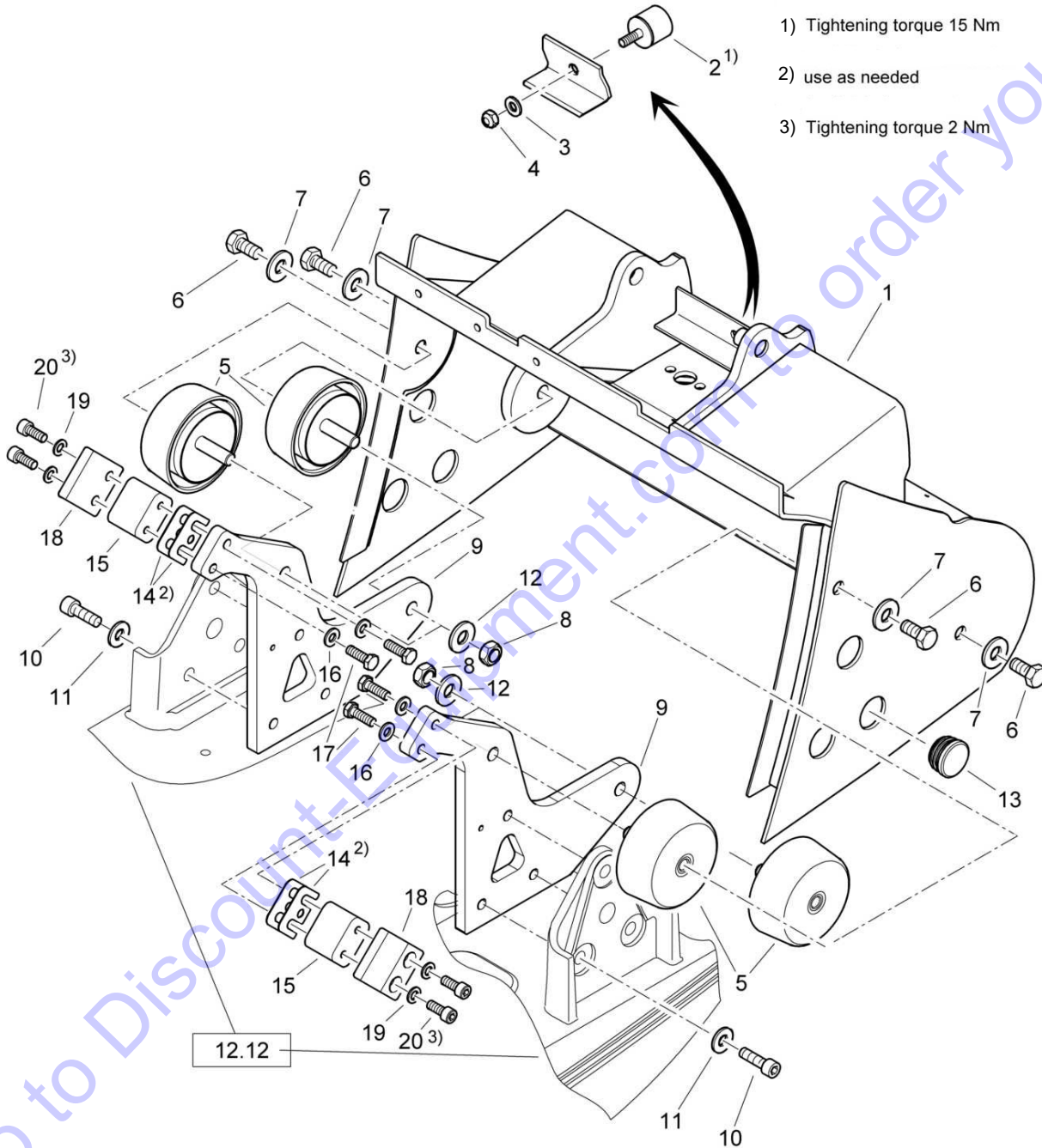
BPR 70/70 D		
S/N 101692631428 ▶		
Steering Handle		<b>52.16</b>
		Page <b>1 / 3</b>
	69060063 1001 1	


Pos.	Part no.	Qty.	Description
1	69060475	1	Console
2	06142915	1	Stop buffer
3	08510817	1	Washer
4	08130813	1	Safety nut
5	69060159	4	Spring element
6	07141231	4	Hexagon bolt
7	08511323	4	Washer
8	08111218	4	Hexagon nut
9	69060471	2	Side piece
10	07231211	6	Socket-head cap screw
11	08511324	6	Washer
12	08511324	4	Washer
13	06510384	6	Plug
14	69060470	4	Spacer plate
15	69060472	2	Block
16	08510817	4	Washer
17	07140834	4	Hexagon bolt
18	58050322	2	Guide
19	08650817	4	Washer
20	07230811	4	Socket-head cap screw

Go to Discount-Equipment.com to order your parts

# 52.16

## Steering Handle



BPR 70/70 D		
S/N 101692631350 ▶ S/N 101692631427		
<b>Steering Handle</b>		<b>52.16</b>
		Page <b>1 / 3</b>
	69060063 1001 1	

Pos.	Part no.	Qty.	Description
1	69060444	1	Console
2	06142915	1	Stop buffer
3	08510817	1	Washer
4	08130813	1	Safety nut
5	69060159	4	Spring element
6	07141231	4	Hexagon bolt
7	08511323	4	Washer
8	08111218	4	Hexagon nut
9	69060471	2	Side piece
10	07231211	6	Socket-head cap screw
11	08511324	6	Washer
12	08511324	4	Washer
13	06510384	6	Plug
14	69060470	4	Spacer plate
15	69060472	2	Block
16	08510817	4	Washer
17	07140834	4	Hexagon bolt
18	58050322	2	Guide
19	08650817	4	Washer
20	07230811	4	Socket-head cap screw

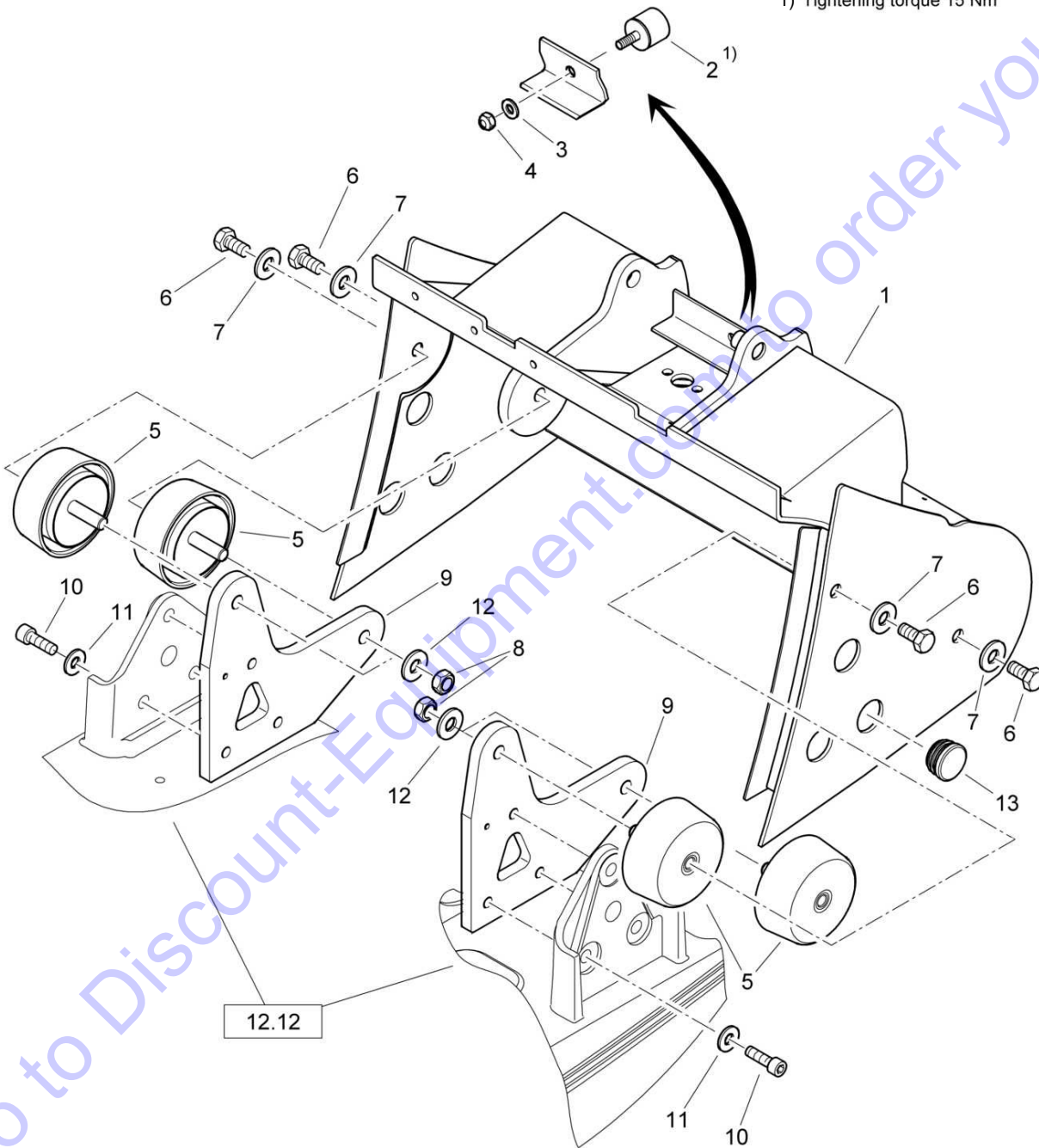
Go to Discount-Equipment.com to order your parts


# 52.16

## Steering Handle



1) Tightening torque 15 Nm



BPR 70/70 D		
S/N 101692631001 ▶ S/N 101692631349		<b>52.16</b>
<b>Steering Handle</b>		Page <b>1 / 3</b>
		
69060063 1001 1		

Pos.	Part no.	Qty.	Description
1	69060444	1	Console
2	06142915	1	Stop buffer
3	08510817	1	Washer
4	08130813	1	Safety nut
5	69060159	4	Spring element
6	07141231	4	Hexagon bolt
7	08511323	4	Washer
8	08111218	4	Hexagon nut
9	69060339	2	Side piece
10	07231211	6	Socket-head cap screw
11	08511324	6	Washer
12	08511324	4	Washer
13	06510384	6	Plug

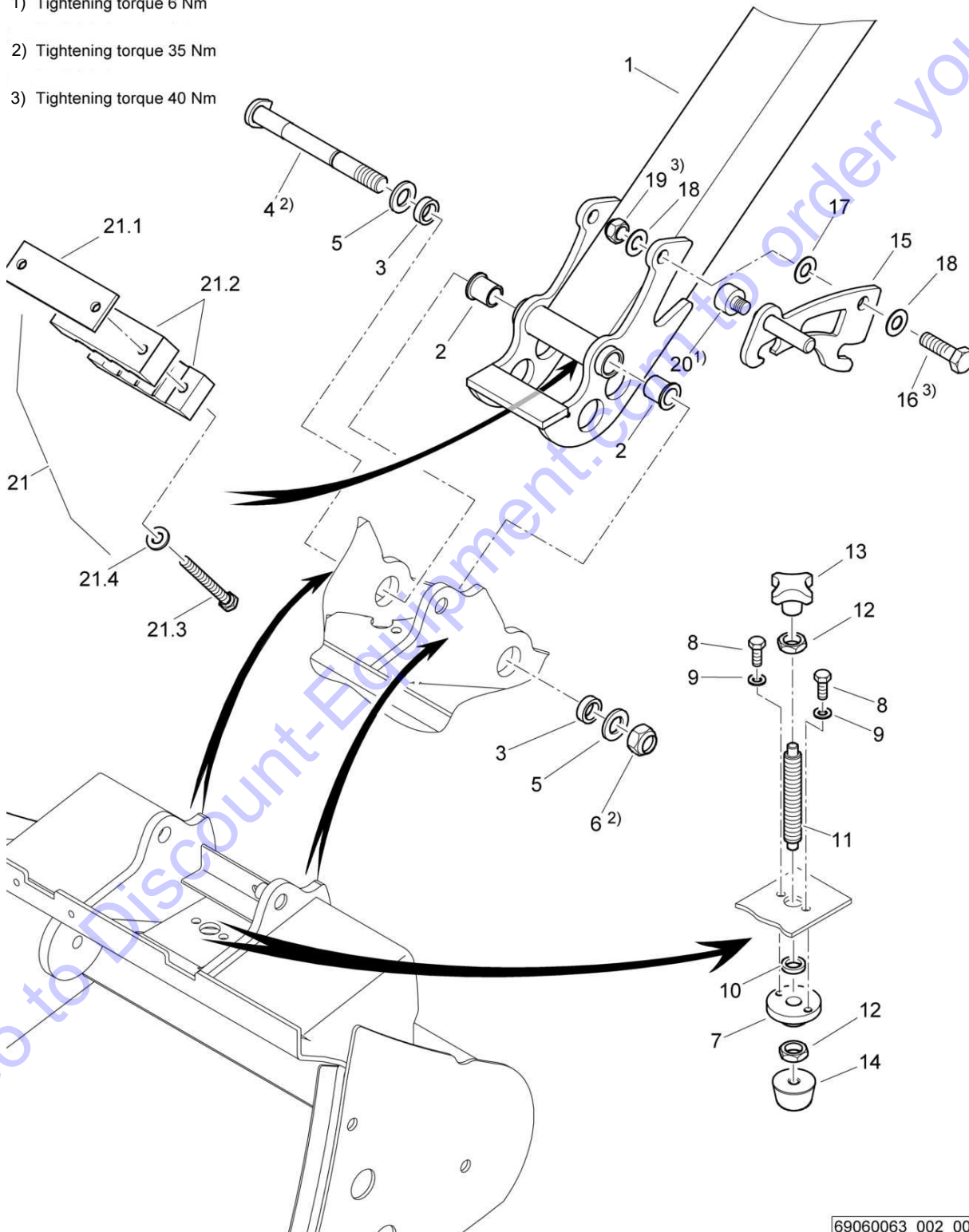
Go to Discount-Equipment.com to order your parts




**52.16****Steering Handle**Page **2 / 3**

69060063\_002\_00

- 1) Tightening torque 6 Nm
- 2) Tightening torque 35 Nm
- 3) Tightening torque 40 Nm



69060063\_002\_00

BPR 70/70 D		
S/N 101692634736 ▶		
Steering Handle		<b>52.16</b>
		Page <b>2 / 3</b>
	69060063 1001 1	

Pos.	Part no.	Qty.	Description
1	69060519	1	Steering handle
2	06282203	2	Bushing
3	69060510	2	Bushing
4	69060184	1	Threaded bolt
5	08512136	2	Washer
6	08132026	1	Safety nut
7	69440120	1	Seal
8	07140824	2	Hexagon bolt
9	08510817	2	Washer
10	68110147	1	Sealing ring
11	73060114	1	Threaded rod
12	08141620	2	Hexagon nut
13	06421265	1	Star knob
14	06147115	1	Stop buffer
15	69060334	1	Lever
16	07141649	1	Hexagon bolt
17	09293152	1	Belleville spring
18	08511730	2	Washer
19	08131621	1	Safety nut
20	06140985	1	Stop buffer
21	69060463	1	Holder,assembled
21.1	69060461	1	Flat steel
21.2	69060462	1	Pillow block
21.3	07130640	2	Hexagon bolt
21.4	08510612	2	Washer

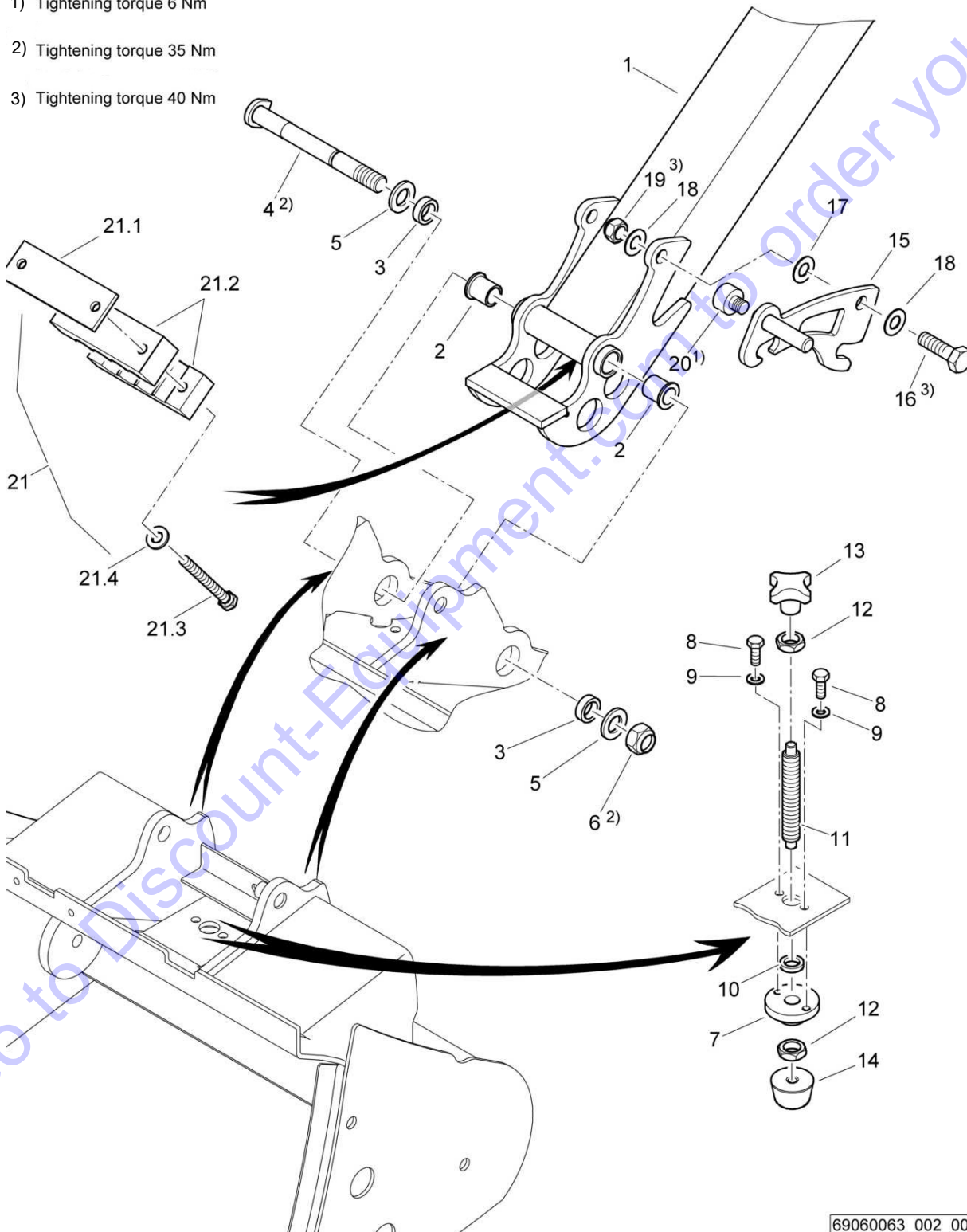
Go to Discount-Equipment.com to order your parts


# 52.16

## Steering Handle



- 1) Tightening torque 6 Nm
- 2) Tightening torque 35 Nm
- 3) Tightening torque 40 Nm



BPR 70/70 D		
S/N 101692633614 ▶ S/N 101692634735		
Steering Handle		<b>52.16</b>
		Page <b>2 / 3</b>
	69060063 1001 1	

Pos.	Part no.	Qty.	Description
1	69060196	1	Steering handle
2	06282203	2	Bushing
3	69060510	2	Bushing
4	69060184	1	Threaded bolt
5	08512136	2	Washer
6	08132026	1	Safety nut
7	69440120	1	Seal
8	07140824	2	Hexagon bolt
9	08510817	2	Washer
10	68110147	1	Sealing ring
11	73060114	1	Threaded rod
12	08141620	2	Hexagon nut
13	06421265	1	Star knob
14	06147115	1	Stop buffer
15	69060334	1	Lever
16	07141649	1	Hexagon bolt
17	09293152	1	Belleville spring
18	08511730	2	Washer
19	08131621	1	Safety nut
20	06140985	1	Stop buffer
21	69060463	1	Holder,assembled
21.1	69060461	1	Flat steel
21.2	69060462	1	Pillow block
21.3	07130640	2	Hexagon bolt
21.4	08510612	2	Washer

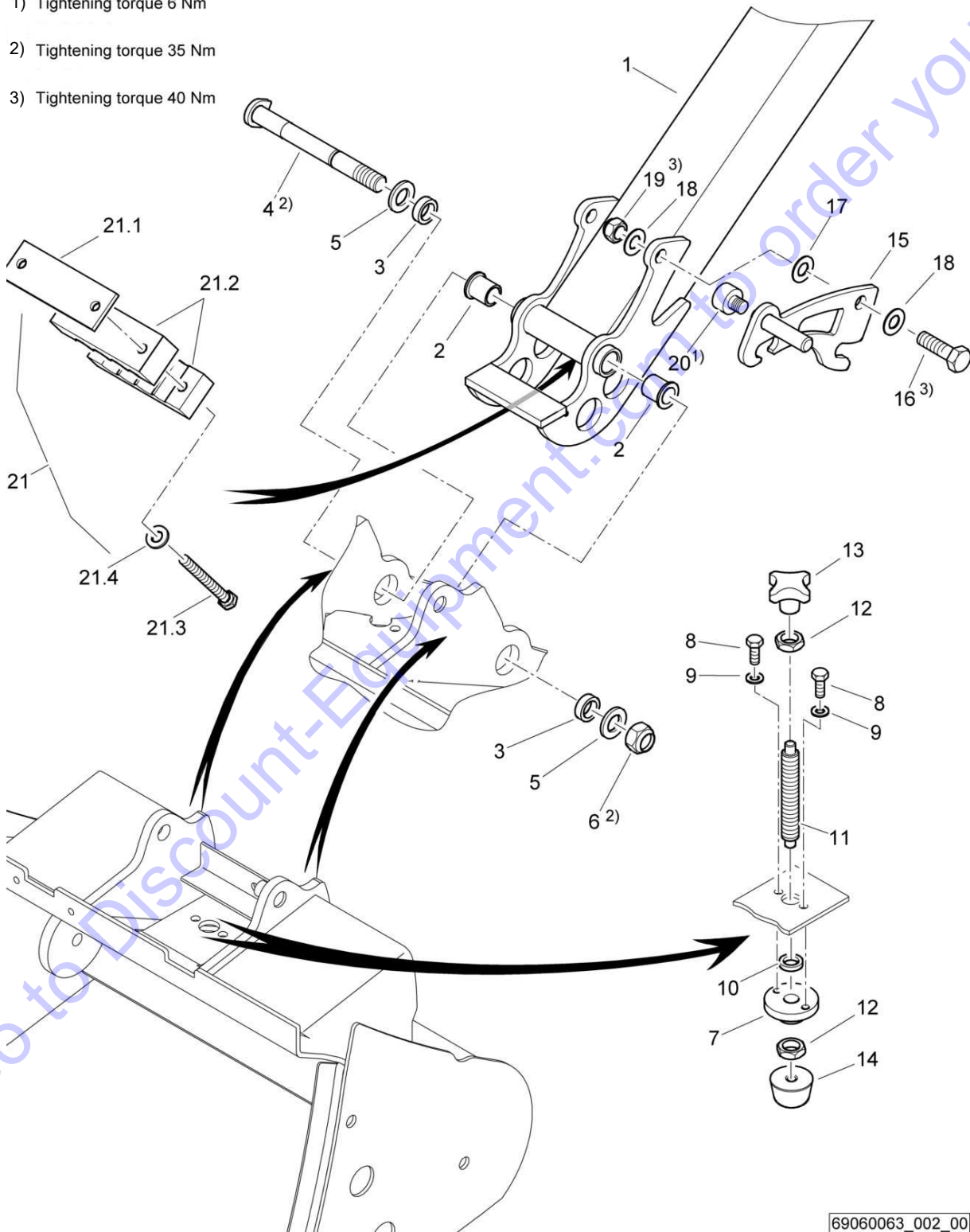
Go to Discount-Equipment.com to order your parts


# 52.16

## Steering Handle



- 1) Tightening torque 6 Nm
- 2) Tightening torque 35 Nm
- 3) Tightening torque 40 Nm

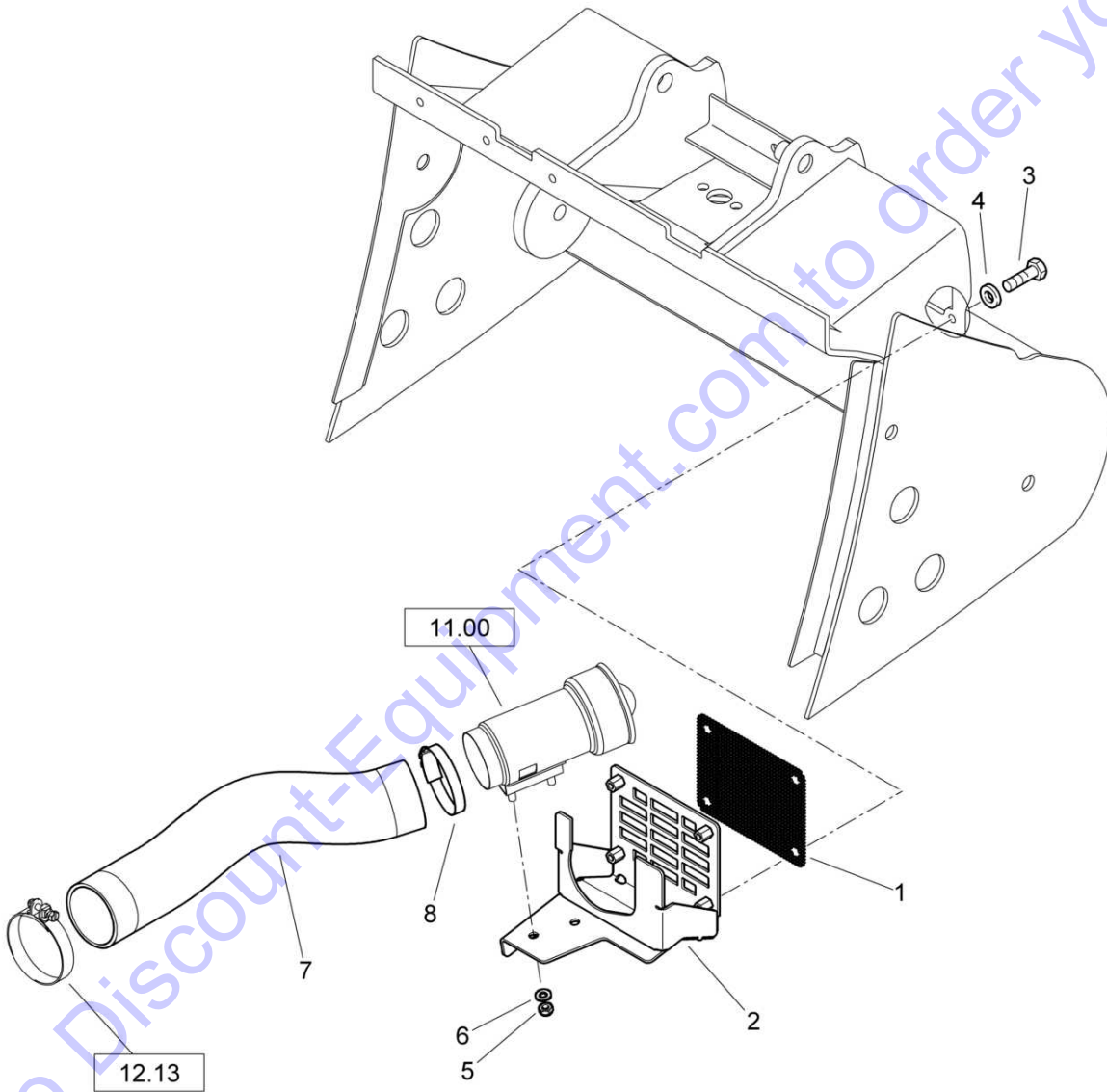



BPR 70/70 D		
S/N 101692631001 ▶ S/N 101692633613		
Steering Handle		<b>52.16</b>
		Page <b>2 / 3</b>
	69060063 1001 1	

Pos.	Part no.	Qty.	Description
1	69060196	1	Steering handle
2	06282203	2	Bushing
3	69060182	2	Bushing
4	69060184	1	Threaded bolt
5	08512136	2	Washer
6	08132026	1	Safety nut
7	69440120	1	Seal
8	07140824	2	Hexagon bolt
9	08510817	2	Washer
10	68110147	1	Sealing ring
11	73060114	1	Threaded rod
12	08141620	2	Hexagon nut
13	06421265	1	Star knob
14	06147115	1	Stop buffer
15	69060334	1	Lever
16	07141649	1	Hexagon bolt
17	09293152	1	Belleville spring
18	08511730	2	Washer
19	08131621	1	Safety nut
20	06140985	1	Stop buffer
21	69060463	1	Holder,assembled
21.1	69060461	1	Flat steel
21.2	69060462	1	Pillow block
21.3	07130640	2	Hexagon bolt
21.4	08510612	2	Washer

Go to Discount-Equipment.com to order your parts

	BPR 70/70 D
<b>52.16</b>	S/N 101692631001 ▶
	<b>Steering Handle</b>
Page <b>3 / 3</b>	
<b>BOMAG</b> FAYAT GROUP	69060063_003_00




BPR 70/70 D		
S/N 101692631001 ▶		<b>52.16</b>
Steering Handle		Page <b>3 / 3</b>
	69060063 1001 1	

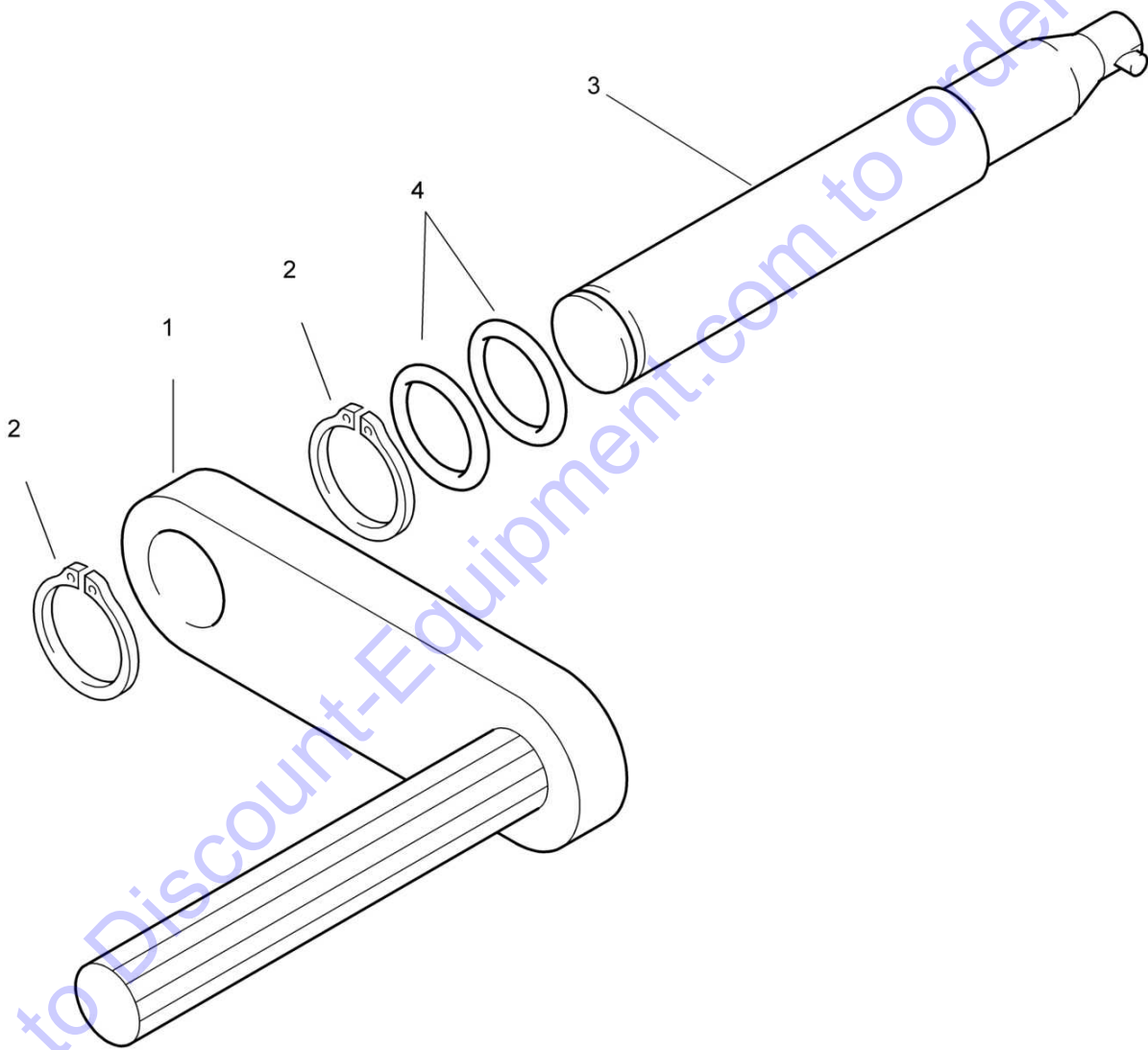
**Pos. Part no. Qty. Description**

1	69060160	1	Grid
2	69060389	1	Holder
3	07140633	4	Hexagon bolt
4	08510612	4	Washer
5	08130611	2	Safety nut
6	08510612	2	Washer
7	06641125	1	Suction hose
8	05552408	1	Hose clip


Go to Discount-Equipment.com to order your parts



	BPR 70/70 D	
<b>52.18</b>		S/N 101692631001 ▶
	Safety crank handle, assembled	
Page <b>1 / 1</b>		
 <b>BOMAG</b> FAYAT GROUP		5030012_000_00



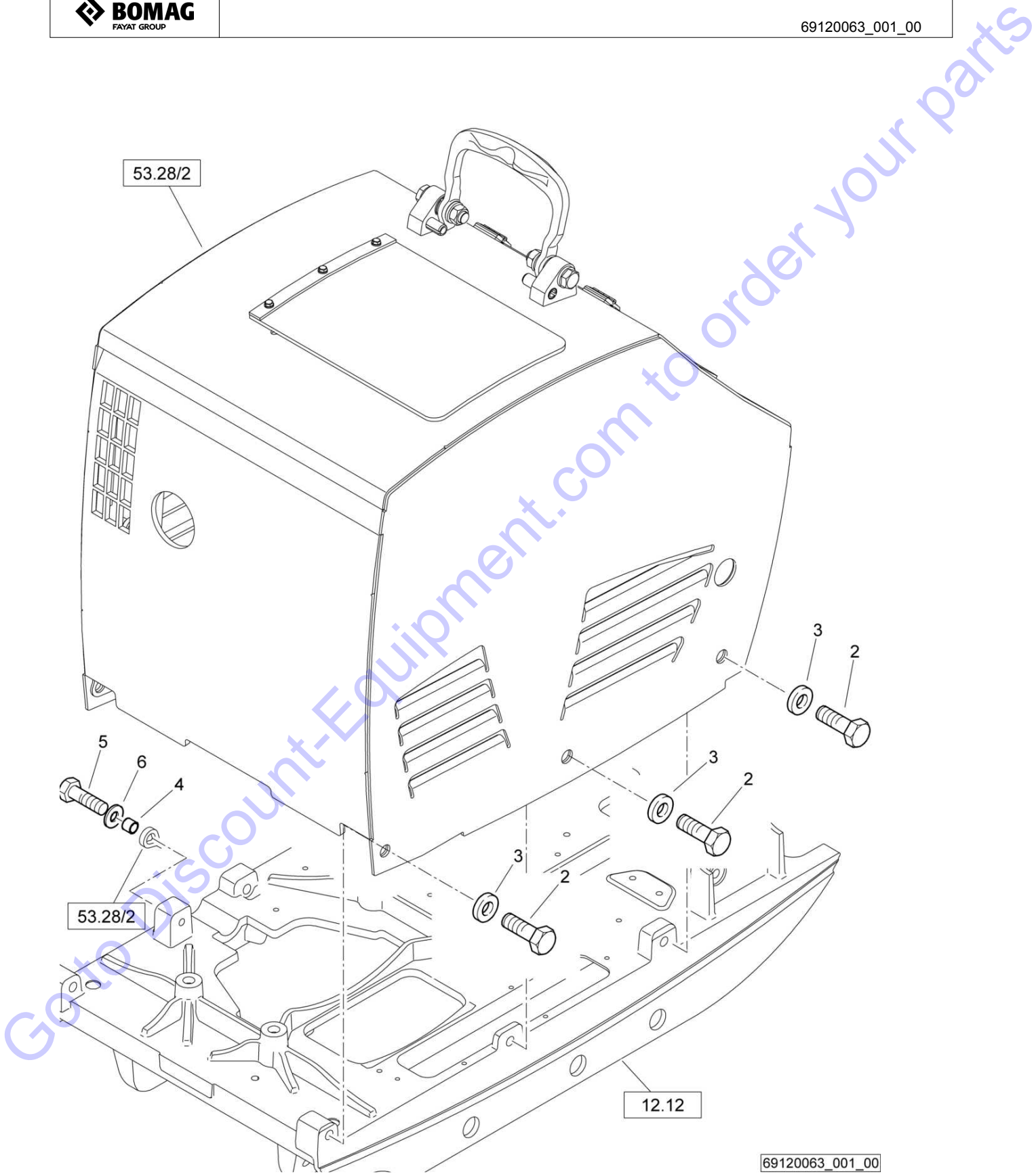
Go to [Discount-Equipment.com](http://Discount-Equipment.com) to order your parts


BPR 70/70 D		
S/N 101692631001 ▶		<b>52.18</b>
Safety crank handle, assembled		
		Page 1 / 1
05030012 1001 1		

Pos.	Part no.	Qty.	Description
1	05725651	1	Safety crank handle
2	09240030	2	Circlip,external
3	05725664	1	Cranking jaw
4	05725663	2	Loop ring

Go to Discount-Equipment.com to order your parts

	BPR 70/70 D	S/N 101692633529 ▶
<b>53.28</b>	<b>Protection hood</b>	
Page <b>1 / 2</b>		
<b>BOMAG</b> FAYAT GROUP	69120063_001_00	



BPR 70/70 D		
S/N 101692633529 ▶		
Protection hood		<b>53.28</b>
		Page <b>1 / 2</b>
	69120063 1001 1	

Pos.	Part no.	Qty.	Description
2	07141631	6	Hexagon bolt
3	08511732	6	Washer
4	70060114	1	Sleeve
5	07141224	1	Hexagon bolt
6	08752130	1	Spring washer

Go to Discount-Equipment.com to order your parts

BPR 70/70 D

S/N 101692631001 ▶ S/N 101692633528

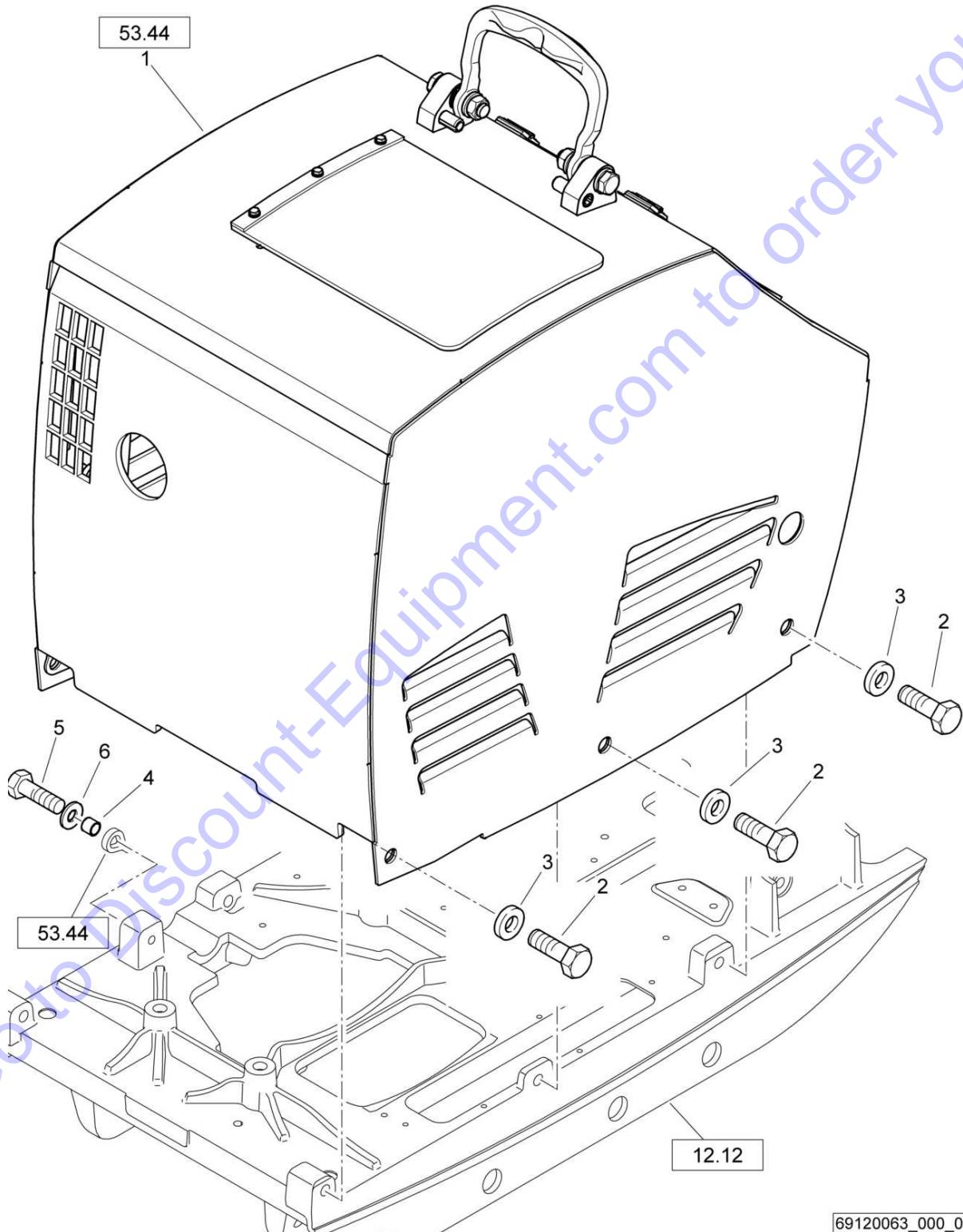
**53.28**


Protection hood

Page **1 / 2**



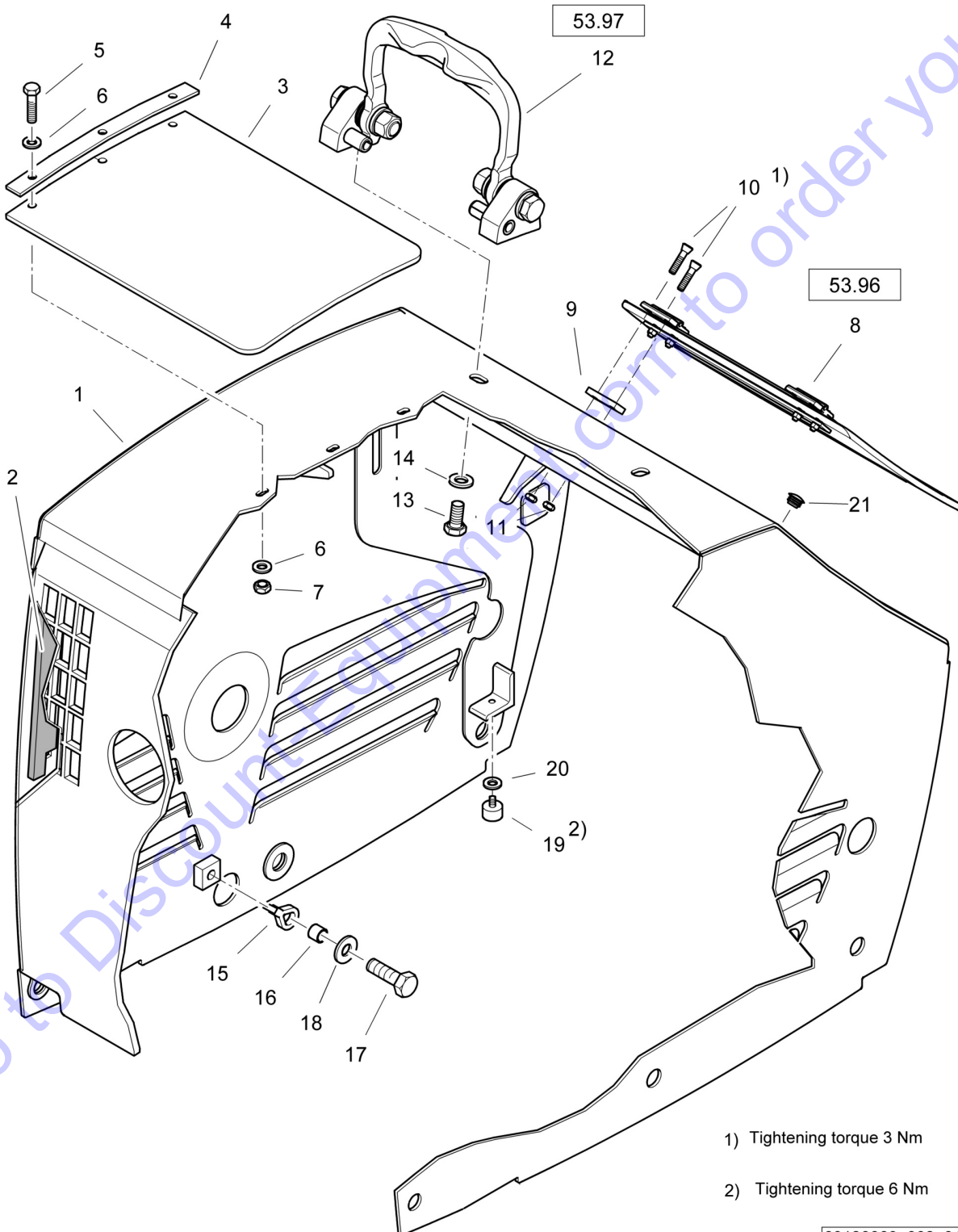
69120063\_000\_00



BPR 70/70 D		
S/N 101692631001 ▶ S/N 101692633528		<b>53.28</b>
<b>Protection hood</b>		
		Page <b>1 / 2</b>
69120063 1001 1		


Pos.	Part no.	Qty.	Description
1	69120873	1	Hood, assembled
2	07141631	6	Hexagon bolt
3	08511732	6	Washer
4	70060114	1	Sleeve
5	07141224	1	Hexagon bolt
6	08752130	1	Spring washer

Go to Discount-Equipment.com to order your parts



1) Tightening torque 3 Nm

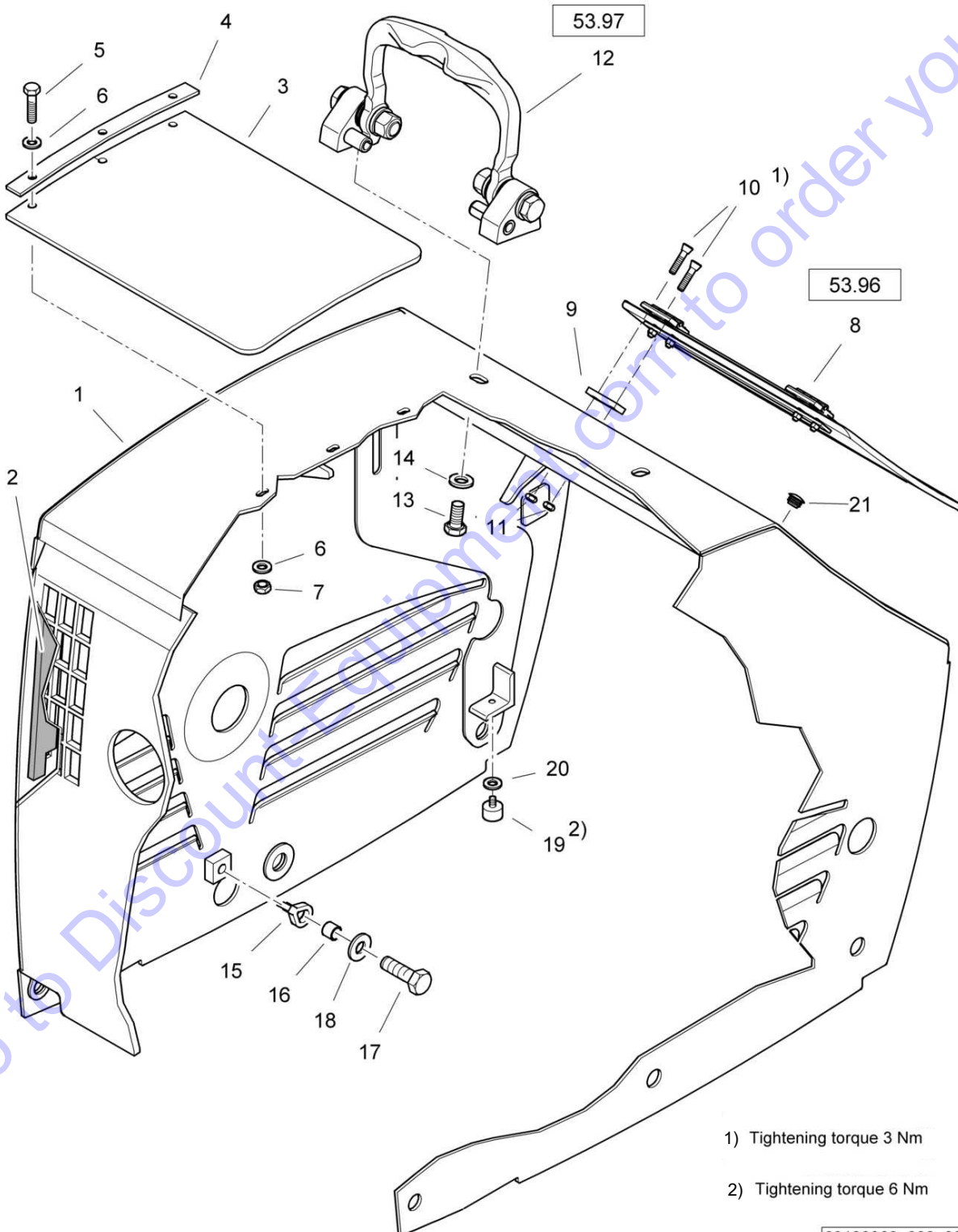
2) Tightening torque 6 Nm

BPR 70/70 D		
S/N 101692634298 ▶		
Protection hood		<b>53.28</b>
		Page <b>2 / 2</b>
	69120063 1001 1	

Pos.	Part no.	Qty.	Description
1	69121099	1	Hood
2	69120848	1	Expanded rubber
3	69120140	1	Cover plate
4	69120112	1	Strip steel
5	07140641	3	Hexagon bolt
6	08510612	6	Washer
7	08130611	3	Safety nut
8	69121096	1	Flap,assembled
9	69120111	2	Flat steel
10	07320523	4	Countersunk screw
11	08130508	4	Safety nut
12	69120833	1	Single-point suspens.,assembled
13	07141224	2	Hexagon bolt
14	08752130	2	Spring washer
15	69120127	1	Rope
16	70060114	1	Sleeve
17	07141224	1	Hexagon bolt
18	08752130	1	Spring washer
19	06140945	2	Stop buffer
20	08510612	2	Washer
21	06510215	1	Plug


Go to Discount-Equipment.com to order your parts





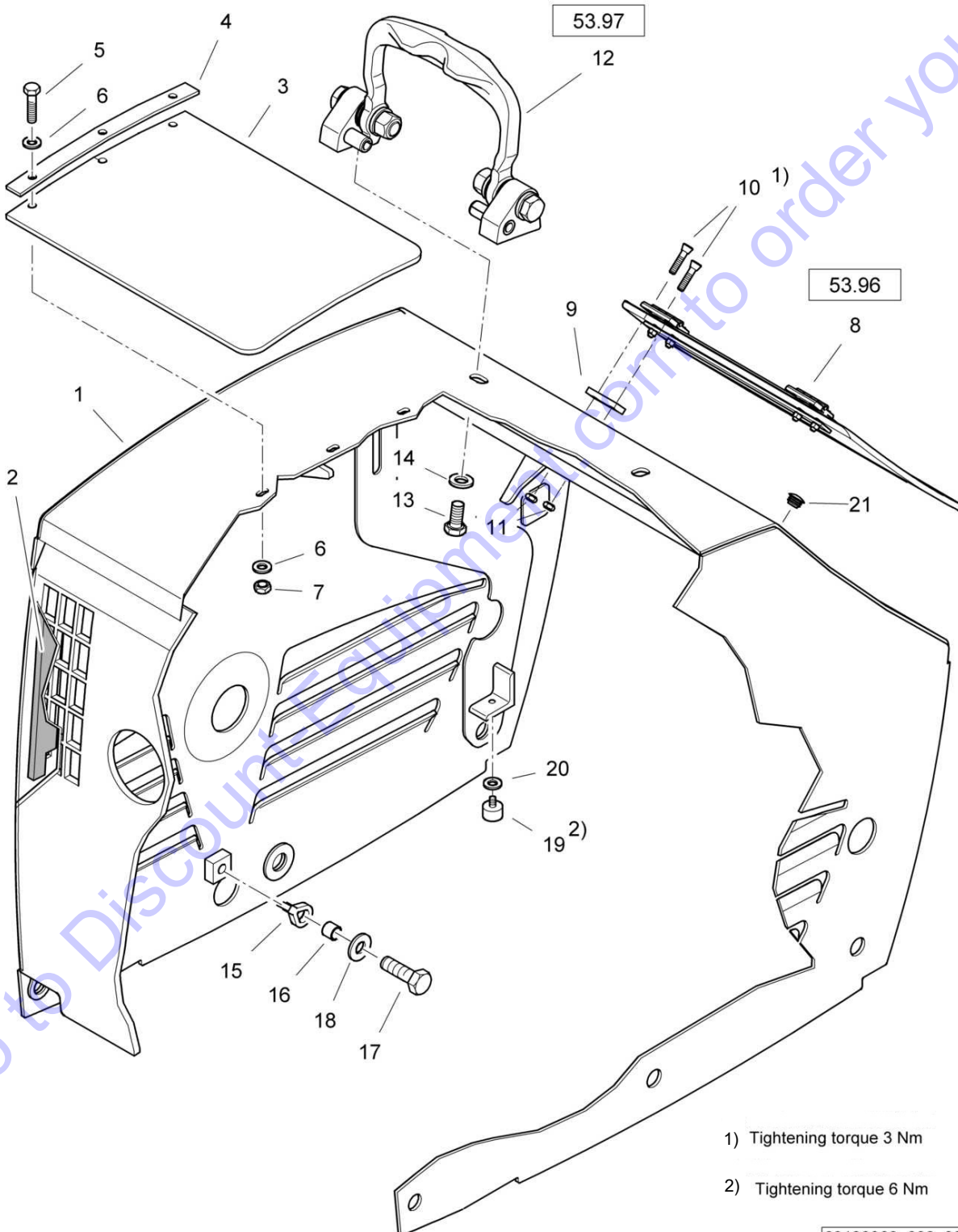
1) Tightening torque 3 Nm

2) Tightening torque 6 Nm

BPR 70/70 D	
S/N 101692634172 ▶ S/N 101692634297	
Protection hood	<b>53.28</b>
	Page <b>2 / 2</b>
	 <b>BOMAG</b> FAYAT GROUP
69120063 1001 1	


Pos.	Part no.	Qty.	Description
1	69121027	1	Hood
2	69120848	1	Expanded rubber
3	69120140	1	Cover plate
4	69120112	1	Strip steel
5	07140641	3	Hexagon bolt
6	08510612	6	Washer
7	08130611	3	Safety nut
8	69121096	1	Flap,assembled
9	69120111	2	Flat steel
10	07320523	4	Countersunk screw
11	08130508	4	Safety nut
12	69120833	1	Single-point suspens.,assembled
13	07141224	2	Hexagon bolt
14	08752130	2	Spring washer
15	69120127	1	Rope
16	70060114	1	Sleeve
17	07141224	1	Hexagon bolt
18	08752130	1	Spring washer
19	06140945	2	Stop buffer
20	08510612	2	Washer
21	06510215	1	Plug

Go to Discount-Equipment.com to order your parts



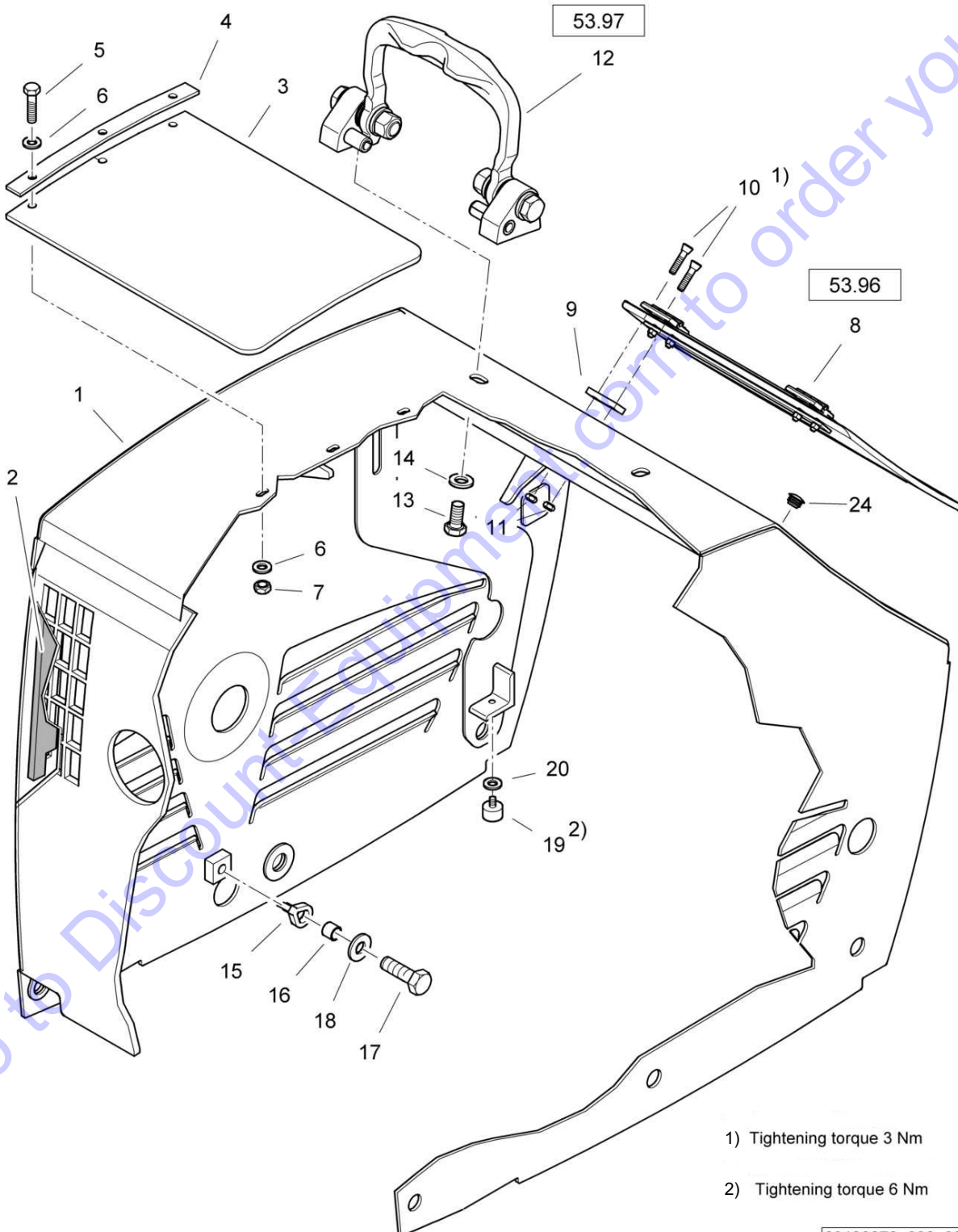
1) Tightening torque 3 Nm


2) Tightening torque 6 Nm

BPR 70/70 D	S/N 101692633529 ▶ S/N 101692634171	<b>53.28</b>
<b>Protection hood</b>		
		Page <b>2 / 2</b>
	69120063 1001 1	

Pos.	Part no.	Qty.	Description
1	69121027	1	Hood
2	69120848	1	Expanded rubber
3	69120140	1	Cover plate
4	69120112	1	Strip steel
5	07140641	3	Hexagon bolt
6	08510612	6	Washer
7	08130611	3	Safety nut
8	69120837	1	Flap,assembled
9	69120111	2	Flat steel
10	07320523	4	Countersunk screw
11	08130508	4	Safety nut
12	69120833	1	Single-point suspens.,assembled
13	07141224	2	Hexagon bolt
14	08752130	2	Spring washer
15	69120127	1	Rope
16	70060114	1	Sleeve
17	07141224	1	Hexagon bolt
18	08752130	1	Spring washer
19	06140945	2	Stop buffer
20	08510612	2	Washer
21	06510215	1	Plug

Go to Discount-Equipment.com to order your parts



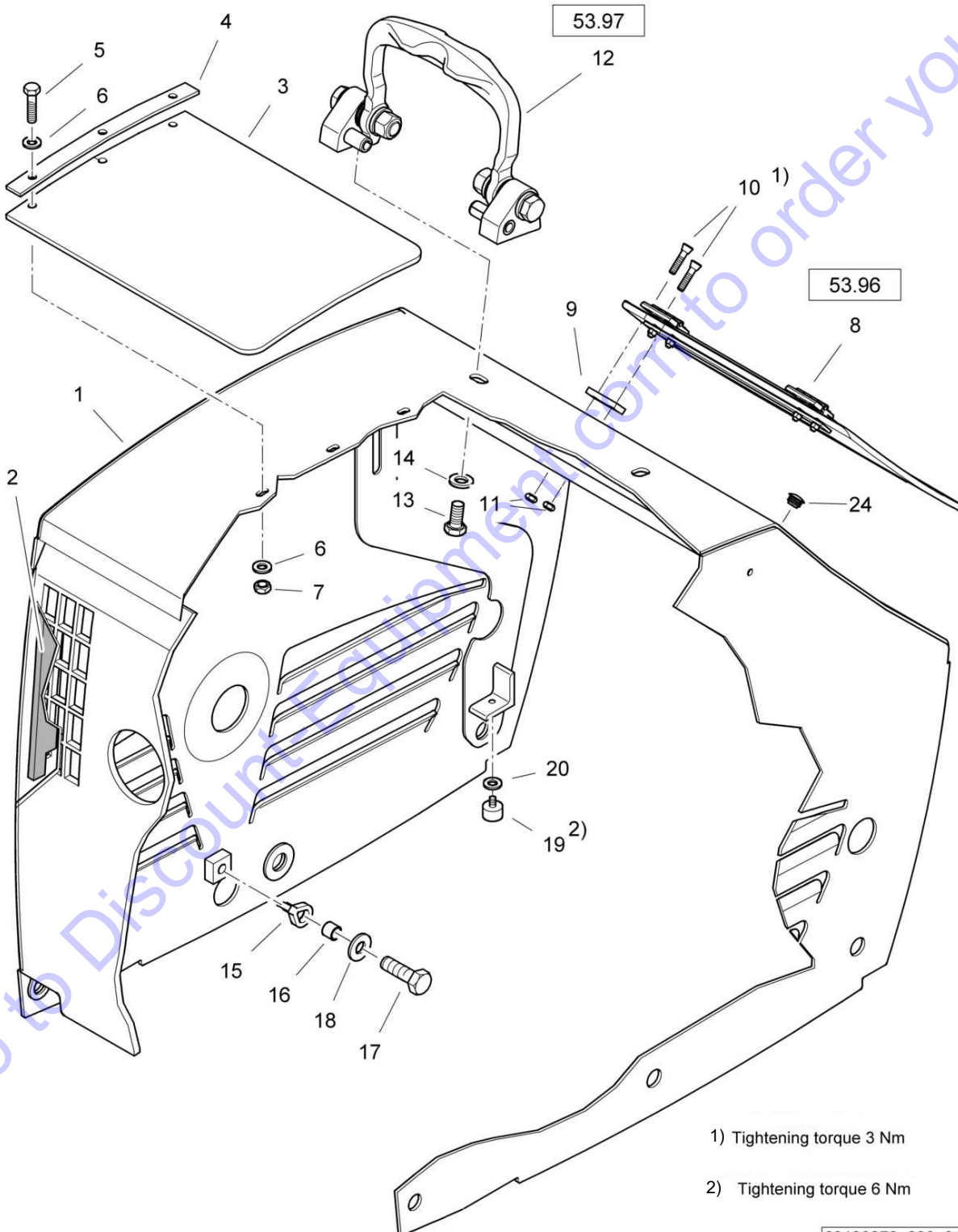
BPR 70/70 D		
S/N 101692631350 ▶ S/N 101692633528		
Hood, assembled		<b>53.44</b>
		Page 1 / 1
	69120873 1001 1	


Pos.	Part no.	Qty.	Description
1	69121027	1	Hood
2	69120848	1	Expanded rubber
3	69120140	1	Cover plate
4	69120112	1	Strip steel
5	07140641	3	Hexagon bolt
6	08510612	6	Washer
7	08130611	3	Safety nut
8	69120837	1	Flap,assembled
9	69120111	2	Flat steel
10	07320523	4	Countersunk screw
11	08130508	4	Safety nut
12	69120833	1	Single-point suspens.,assembled
13	07141224	2	Hexagon bolt
14	08752130	2	Spring washer
15	69120127	1	Rope
16	70060114	1	Sleeve
17	07141224	1	Hexagon bolt
18	08752130	1	Spring washer
19	06140945	2	Stop buffer
20	08510612	2	Washer
24	06510215	1	Plug

Go to Discount-Equipment.com to order your parts

**53.44**

Hood, assembled

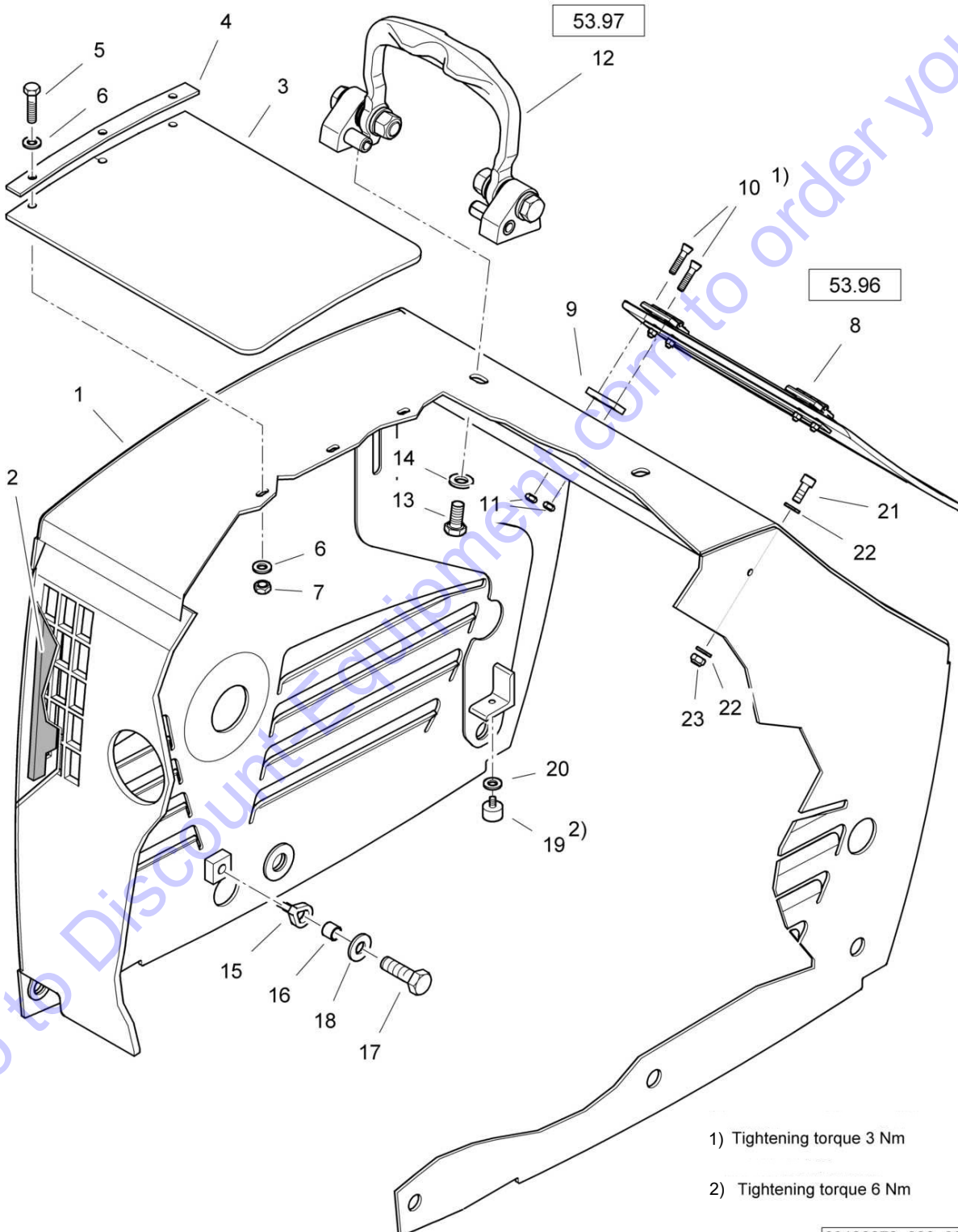


BPR 70/70 D		
S/N 101692631213 ▶ S/N 101692631349		
Hood, assembled		<b>53.44</b>
		Page <b>1 / 1</b>
69120873 1001 1		

Pos.	Part no.	Qty.	Description
1	69120874	1	Hood
2	69120848	1	Expanded rubber
3	69120140	1	Cover plate
4	69120112	1	Strip steel
5	07140641	3	Hexagon bolt
6	08510612	6	Washer
7	08130611	3	Safety nut
8	69120837	1	Flap,assembled
9	69120111	2	Flat steel
10	07320523	4	Countersunk screw
11	08130508	4	Safety nut
12	69120833	1	Single-point suspens.,assembled
13	07141224	2	Hexagon bolt
14	08752130	2	Spring washer
15	69120127	1	Rope
16	70060114	1	Sleeve
17	07141224	1	Hexagon bolt
18	08752130	1	Spring washer
19	06140945	2	Stop buffer
20	08510612	2	Washer
24	06510215	1	Plug


Go to Discount-Equipment.com to order your parts





1) Tightening torque 3 Nm

2) Tightening torque 6 Nm

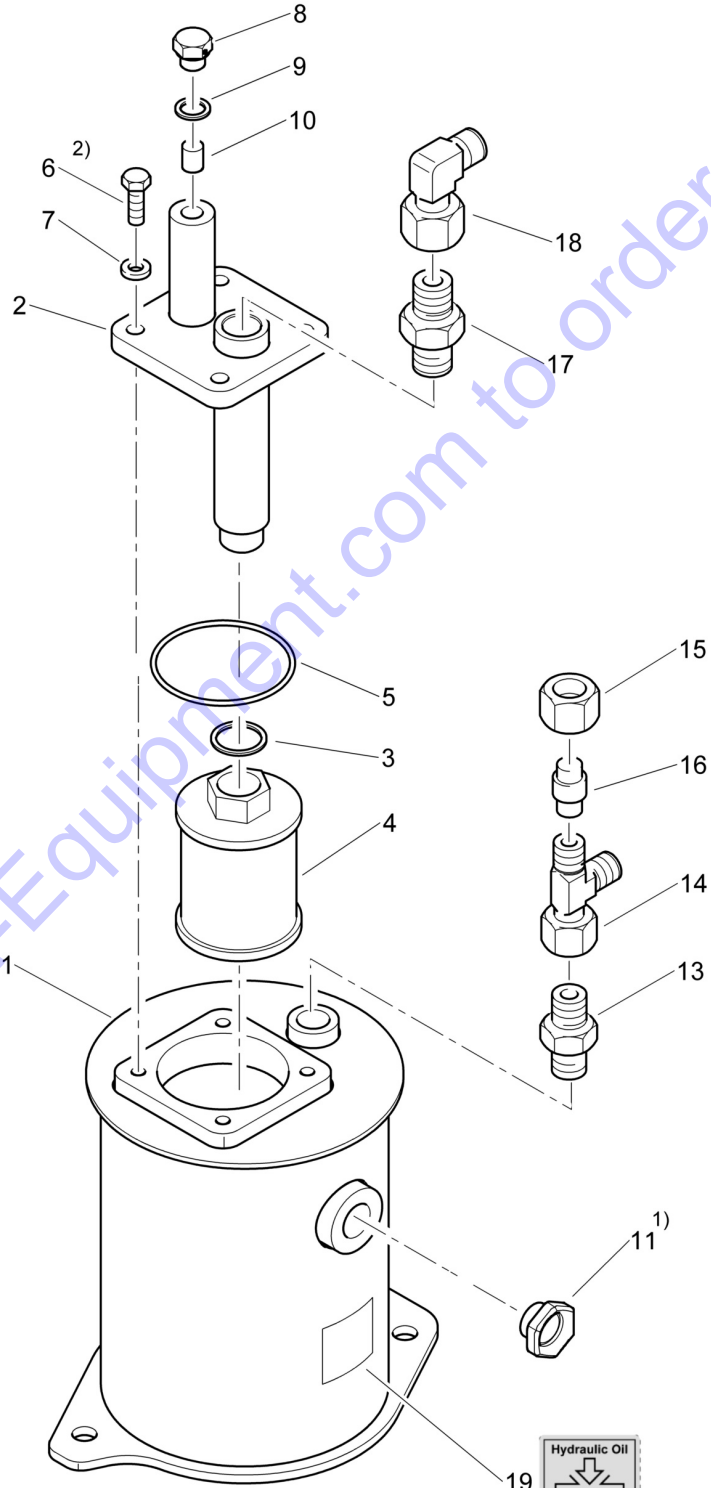
BPR 70/70 D		
S/N 101692631001 ▶ S/N 101692631212		
Hood, assembled		<b>53.44</b>
		Page 1 / 1
	69120873 1001 1	


Pos.	Part no.	Qty.	Description
1	69120874	1	Hood
2	69120848	1	Expanded rubber
3	69120140	1	Cover plate
4	69120112	1	Strip steel
5	07140641	3	Hexagon bolt
6	08510612	6	Washer
7	08130611	3	Safety nut
8	69120837	1	Flap,assembled
9	69120111	2	Flat steel
10	07320523	4	Countersunk screw
11	08130508	4	Safety nut
12	69120833	1	Single-point suspens.,assembled
13	07141224	2	Hexagon bolt
14	08752130	2	Spring washer
15	69120127	1	Rope
16	70060114	1	Sleeve
17	07141224	1	Hexagon bolt
18	08752130	1	Spring washer
19	06140945	2	Stop buffer
20	08510612	2	Washer
21	07230613	1	Socket-head cap screw
22	08510612	2	Washer
23	08130611	1	Safety nut

Go to Discount-Equipment.com to order your parts

1) Tightening torque 15 Nm

2) Tightening torque 13 Nm



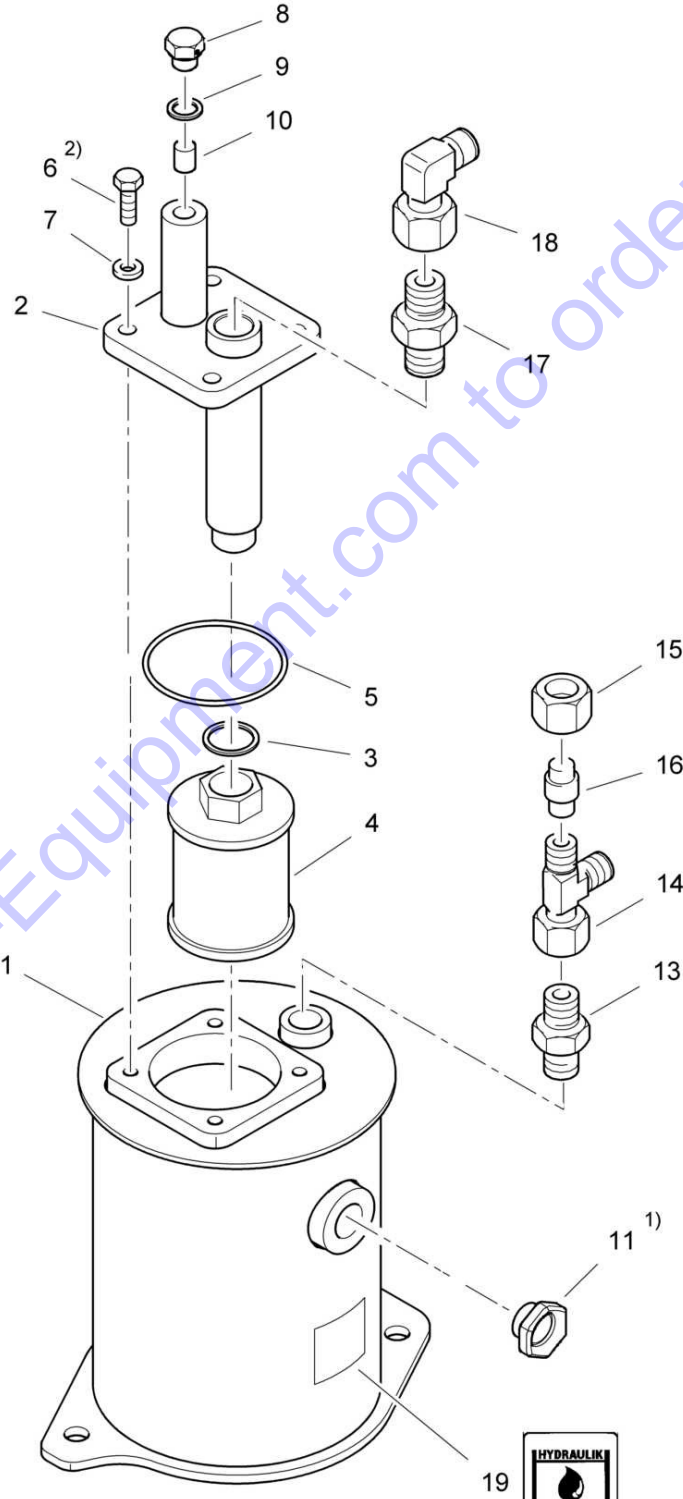
BPR 70/70 D		
S/N 101692634843 ▶		
Hydraulic Tank		<b>53.57</b>
		Page 1 / 1
	69050126 1001 1	

Pos.	Part no.	Qty.	Description
1	69050120	1	Tank
2	69050123	1	Flange
3	09331188	1	Sealing ring
4	05821174	1	Suction filter
5	06220605	1	Loop ring
6	07140824	4	Hexagon bolt
7	08510817	4	Washer
8	72480126	1	Screw plug
9	09331108	1	Sealing ring
10	06520005	1	Filter plug
11	05973134	1	Oil level gauge
13	05548011	1	Double-ended union
14	05542193	1	L-union
15	05545022	1	Cap nut
16	05542704	1	Plug
17	05540088	1	Double-ended union
18	05542124	1	Angular union
19	00833831	1	Decal,indication


Go to Discount-Equipment.com to order your parts

1) Tightening torque 15 Nm

2) Tightening torque 13 Nm



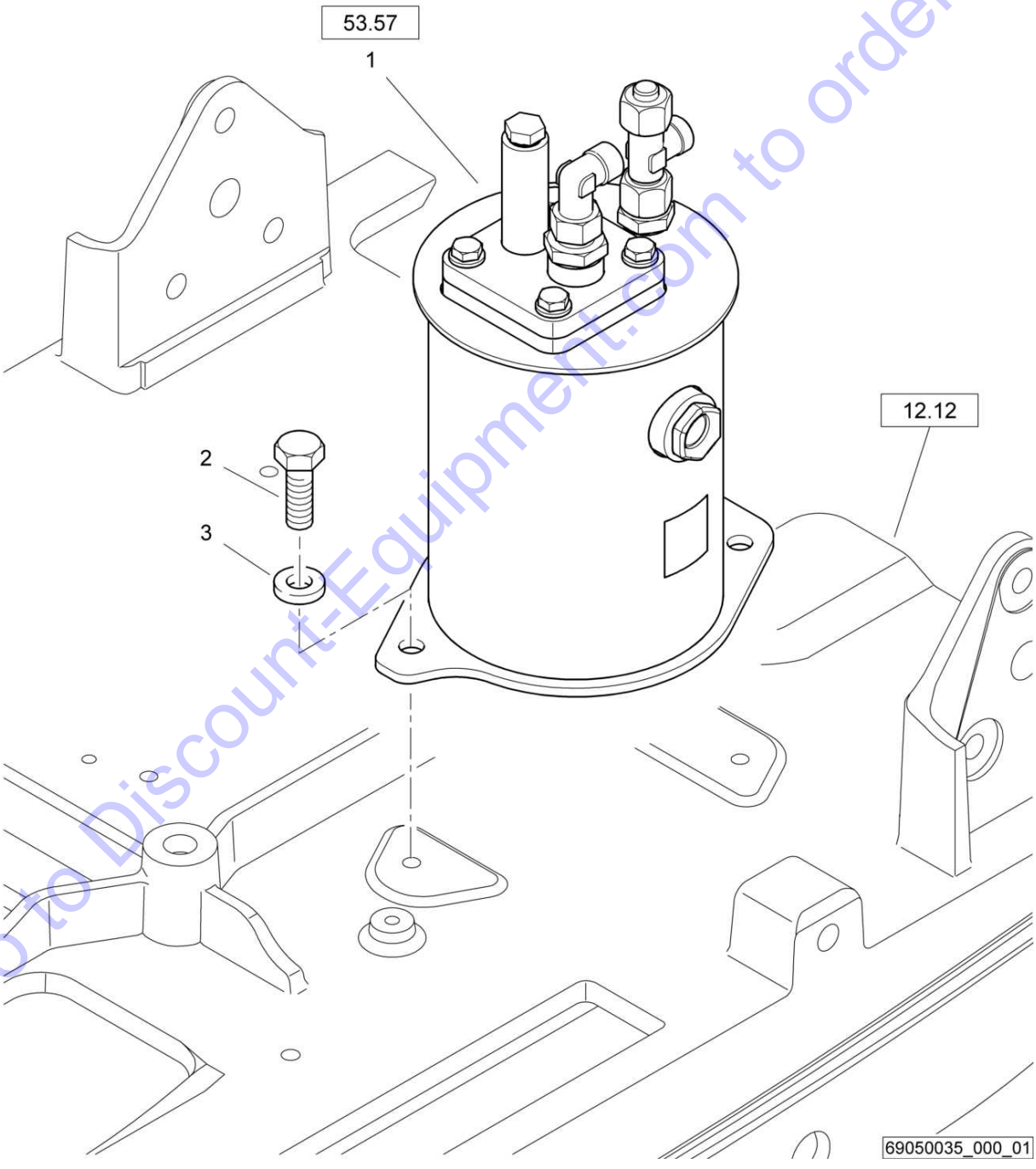
Go to Discount-Equipment.com to order your parts

BPR 70/70 D		
S/N 101692631001 ▶ S/N 101692634842		
Hydraulic Tank		<b>53.57</b>
		Page 1 / 1
69050126 1001 1		


Pos.	Part no.	Qty.	Description
1	69050120	1	Tank
2	69050123	1	Flange
3	09331188	1	Sealing ring
4	05821174	1	Suction filter
5	06220605	1	Loop ring
6	07140824	4	Hexagon bolt
7	08510817	4	Washer
8	72480126	1	Screw plug
9	09331108	1	Sealing ring
10	06520005	1	Filter plug
11	05973134	1	Oil level gauge
13	05548011	1	Double-ended union
14	05542193	1	L-union
15	05545022	1	Cap nut
16	05542704	1	Plug
17	05540088	1	Double-ended union
18	05542124	1	Angular union
19	00830055	1	Decal,indication

Go to Discount-Equipment.com to order your parts

	BPR 70/70 D	
<b>53.76</b>		S/N 101692631001 ▶
	Hydraulic Tank, completely	
Page <b>1 / 1</b>		
<b>BOMAG</b> FAYAT GROUP		69050035_000_01



69050035\_000\_01

BPR 70/70 D	
S/N 101692631001 ▶	
Hydraulic Tank, completely	<b>53.76</b>
	Page 1 / 1
	
69050035 1001 1	

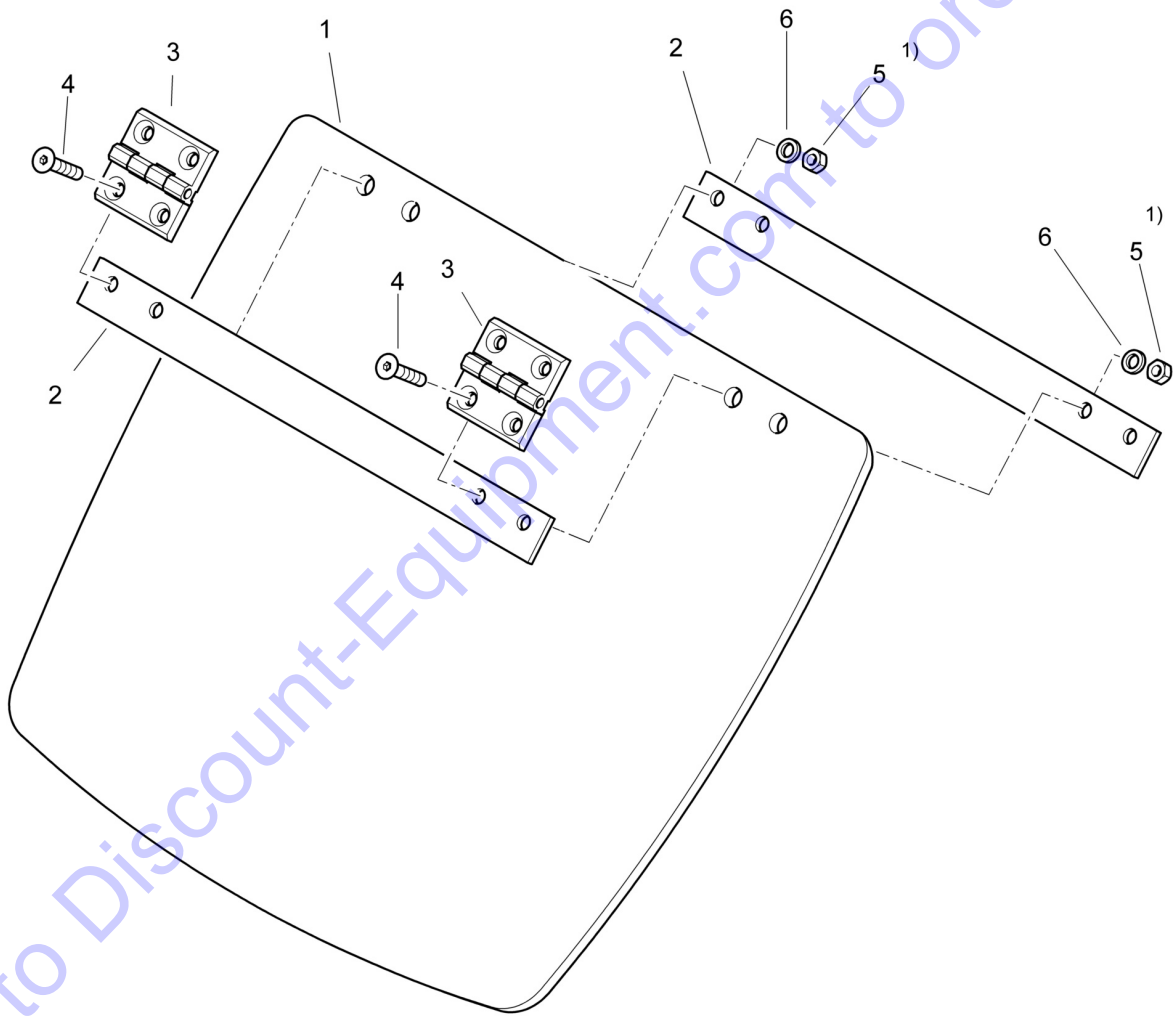
**Pos. Part no. Qty. Description**

1	69050126	1	Hydraulic oil tank
2	07141017	3	Hexagon bolt
3	08511021	3	Washer

Go to Discount-Equipment.com to order your parts




	BPR 70/70 D	
<b>53.96</b>		S/N 101692634172 ▶
	Flap, assembled	
Page <b>1 / 1</b>		
<b>BOMAG</b> FAYAT GROUP		69121096_000_00



1) Tightening torque 3 Nm

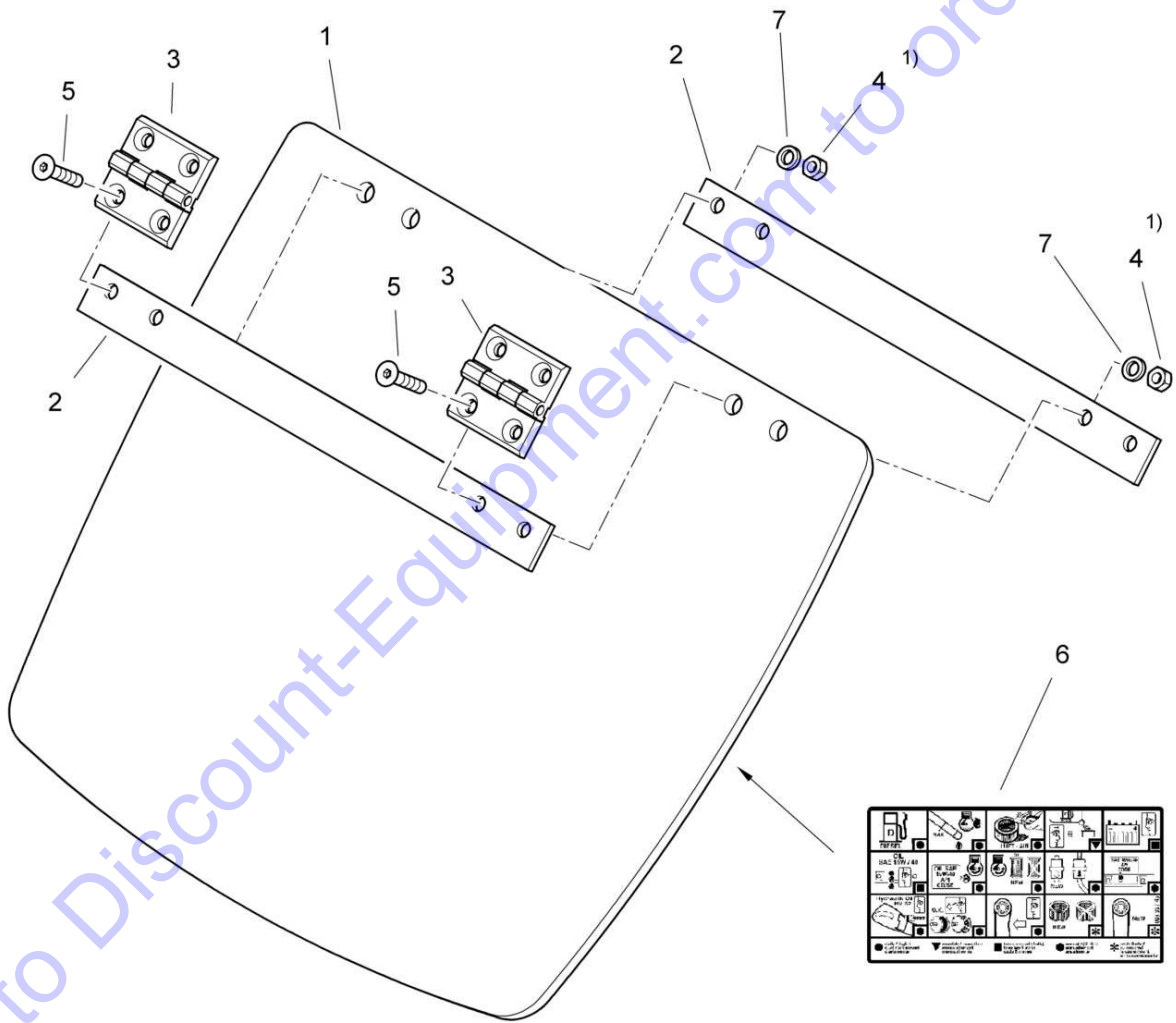
69121096\_000\_00

BPR 70/70 D		
S/N 101692634172 ▶		
Flap, assembled		<b>53.96</b>
		Page <b>1 / 1</b>
	69121096 1001 1	


Pos.	Part no.	Qty.	Description
1	69120482	1	Cover plate
2	69120504	2	Strip steel
3	05939180	2	Hinge
4	07320523	4	Countersunk screw
5	08130508	4	Safety nut
6	08510511	4	Washer

Go to [Discount-Equipment.com](http://Discount-Equipment.com) to order your parts

	BPR 70/70 D	S/N 101692631001 ▶ S/N 101692634171
<b>53.96</b>	<b>Flap, assembled</b>	
Page <b>1 / 1</b>		
<b>BOMAG</b> FAYAT GROUP	69120837_000_00	



1) Tightening torque 3 Nm

BPR 70/70 D		
S/N 101692631001 ▶ S/N 101692634171		
Flap, assembled		<b>53.96</b>
		Page 1 / 1
69120837 1001 1		

Pos.	Part no.	Qty.	Description
1	69120482	1	Cover plate
2	69120504	2	Strip steel
3	05939180	2	Hinge
4	08130508	4	Safety nut
5	07320523	4	Countersunk screw
6	00831247	1	Decal,maintenance instr.
7	08510511	4	Washer

Go to Discount-Equipment.com to order your parts

BPR 70/70 D

S/N 101692631001 ▶

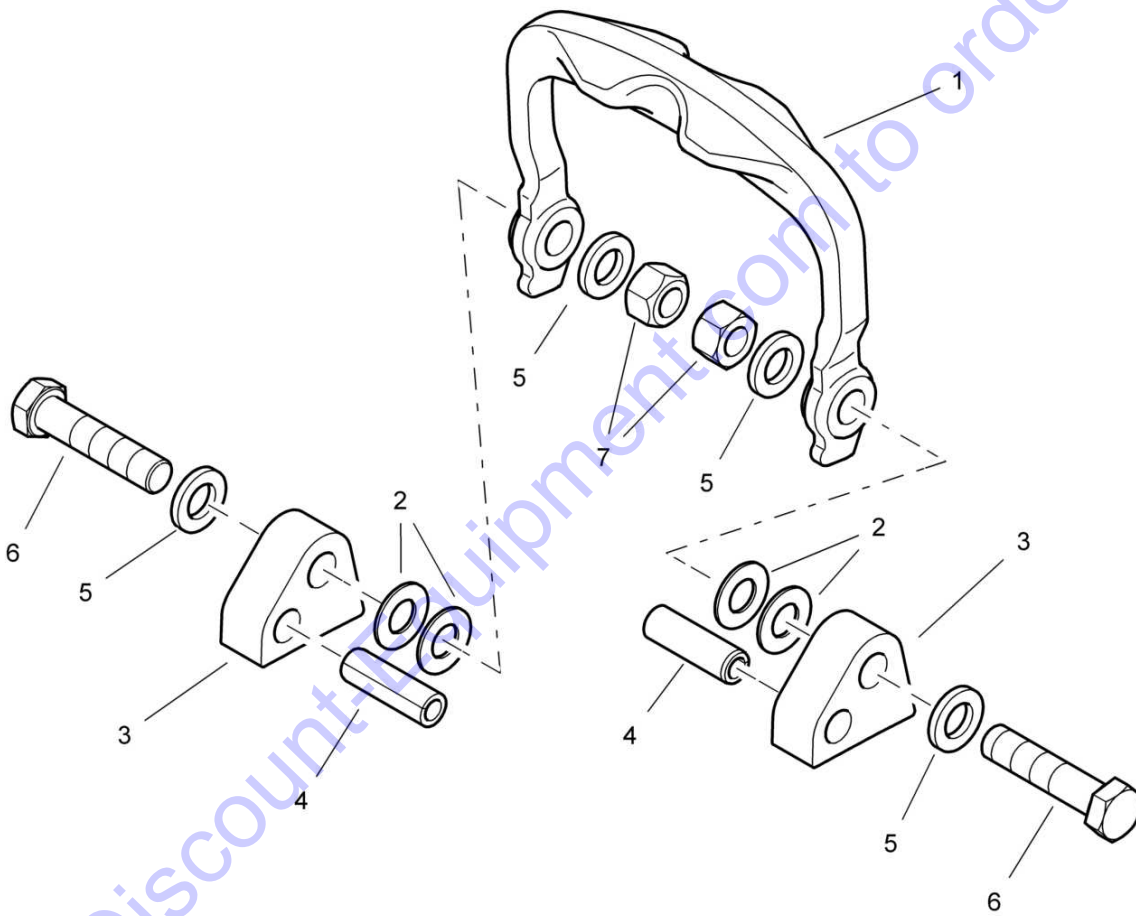
**53.97**

Single-point suspension, assembled


Page **1 / 1**



69120833\_000\_00



69120833\_000\_00

BPR 70/70 D	
S/N 101692631001 ▶	
Single-point suspension, assembled	<b>53.97</b>
	Page 1 / 1
	
69120833 1001 1	

Pos.	Part no.	Qty.	Description
1	69120568	1	Single-point-lifting-dev.
2	09293152	4	Belleville spring
3	69120138	2	Holder
4	09151615	2	Dowel pin
5	08511730	4	Washer
6	07131624	2	Hexagon bolt
7	08131621	2	Safety nut

Go to Discount-Equipment.com to order your parts

# PARTS FINDER

**Search Website  
by Part Number**



**Search Manual  
Library For Parts  
Manual & Lookup Part  
Numbers – Purchase  
or Request Quote**

**Search Manuals**

Enter your information to help us find the right parts manual for your machine.

\* Brand:

\* Model:

\* Serial:

\* Part Number:

SEARCH

**Can't Find Part or  
Manual? Request Help  
by Manufacturer,  
Model & Description**

**Parts Order Form**

Please fill in the following information to help us find the right part for your machine.

Manufacturer:	<input type="text"/>
Model:	<input type="text"/>
Description:	<input type="text"/>
Part Number:	<input type="text"/>
Quantity:	<input type="text"/>
Notes:	<input type="text"/>

Submit

Discount-Equipment.com is your online resource for quality parts & equipment.

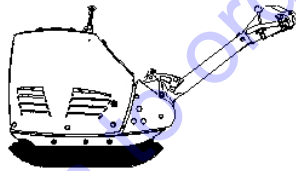
Florida: **561-964-4949** Outside Florida TOLL FREE: **877-690-3101**

**Need parts?**

Click on this link: <http://www.discount-equipment.com/category/5443-parts/> and choose one of the options to help get the right parts and equipment you are looking for. Please have the machine model and serial number available in order to help us get you the correct parts. If you don't find the part on the website or on one of the online manuals, please fill out the request form and one of our experienced staff members will get back to you with a quote for the right part that your machine needs.

We sell worldwide for the brands: Genie, Terex, JLG, MultiQuip, Mikasa, Essick, Whiteman, Mayco, Toro Stone, Diamond Products, Generac Magnum, Airman, Haulotte, Barreto, Power Blanket, Nifty Lift, Atlas Copco, Chicago Pneumatic, Allmand, Miller Curber, Skyjack, Lull, Skytrak, Tsurumi, Husquvarna Target, Stow, Wacker, Sakai, Mi-T-M, Sullair, Basic, Dynapac, MBW, Weber, Bartell, Bennar Newman, Haulotte, Ditch Runner, Menegotti, Morrison, Contec, Buddy, Crown, Edco, Wyco, Bomag, Laymor, EZ Trench, Bil-Jax, F.S. Curtis, Gehl Pavers, Heli, Honda, ICS/PowerGrit, IHI, Partner, Imer, Clipper, MMD, Koshin, Rice, CH&E, General Equipment, Amida, Coleman, NAC, Gradall, Square Shooter, Kent, Stanley, Tamco, Toku, Hatz, Kohler, Robin, Wisconsin, Northrock, Oztec, Toker TK, Rol-Air, APT, Wylie, Ingersoll Rand / Doosan, Innovatech, Con X, Ammann, Mecalac, Makinex, Smith Surface Prep, Small Line, Wanco, Yanmar

Plate / Foot



**65**

Go to [Discount-Equipment.com](http://Discount-Equipment.com) to order your parts



**65.00**

Plate / Foot

Page /

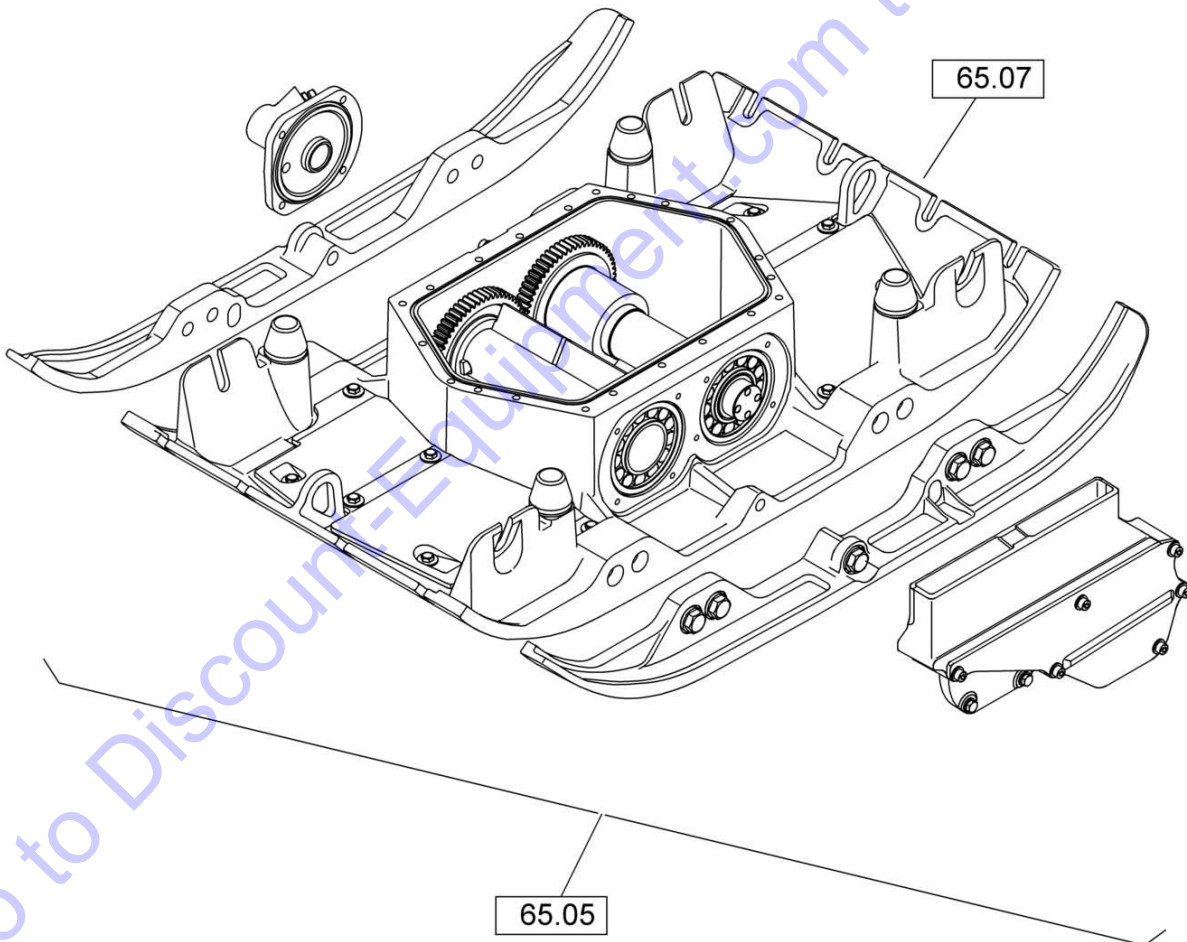
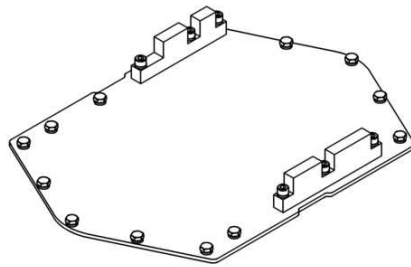



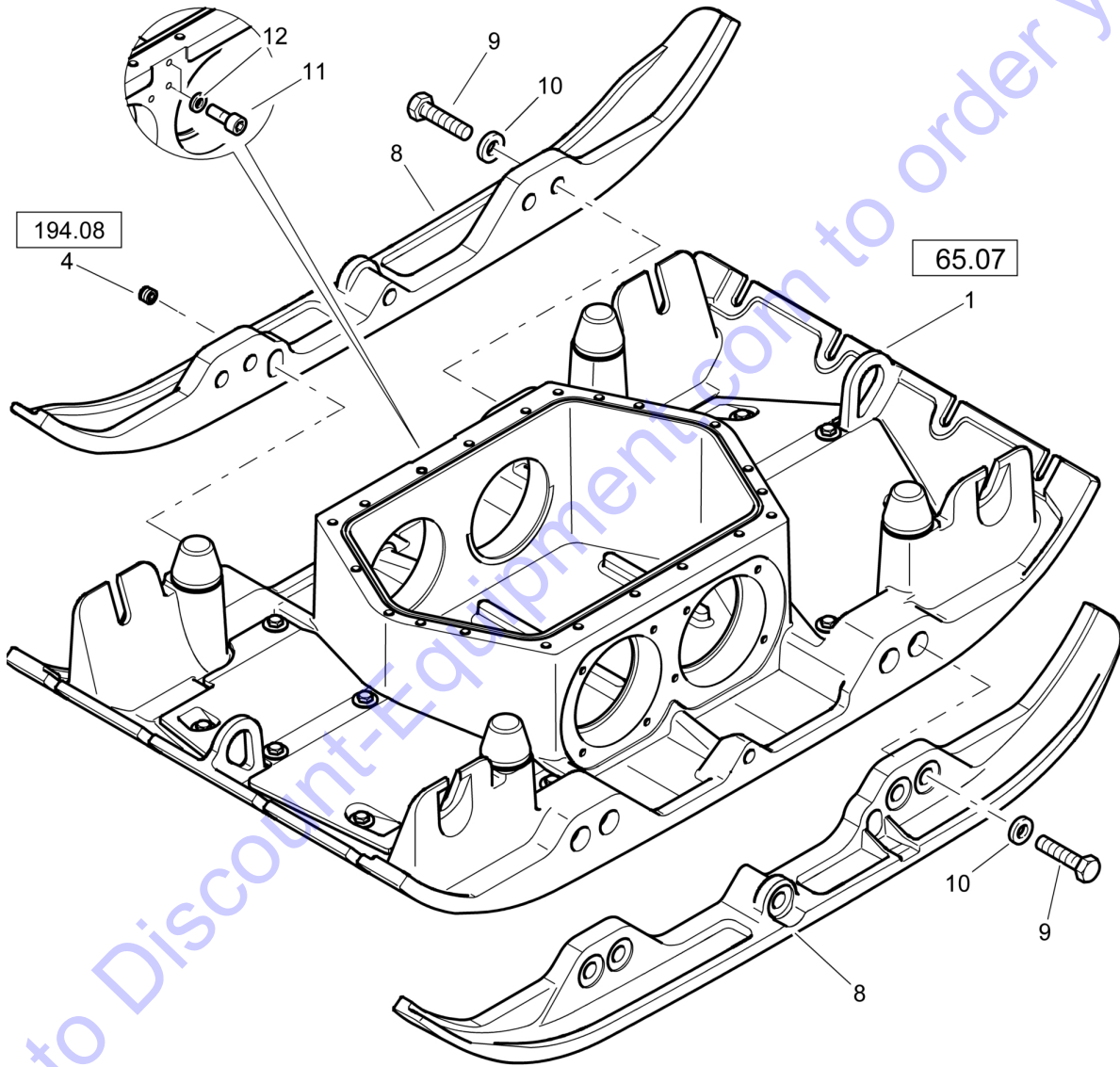
Plate / Foot	<b>65.00</b>
	Page /
	


**Pos. Description**

- 65.05 Base Plate
- 65.07 Base plate,assembled
- 65.07 Base plate,assembled

Go to Discount-Equipment.com to order your parts

BPR 70/70 D	
<b>65.05</b>	S/N 101692632739 ▶
	<b>Base Plate</b>
Page <b>1 / 3</b>	
<b>BOMAG</b> FAYAT GROUP	69020012_001_01

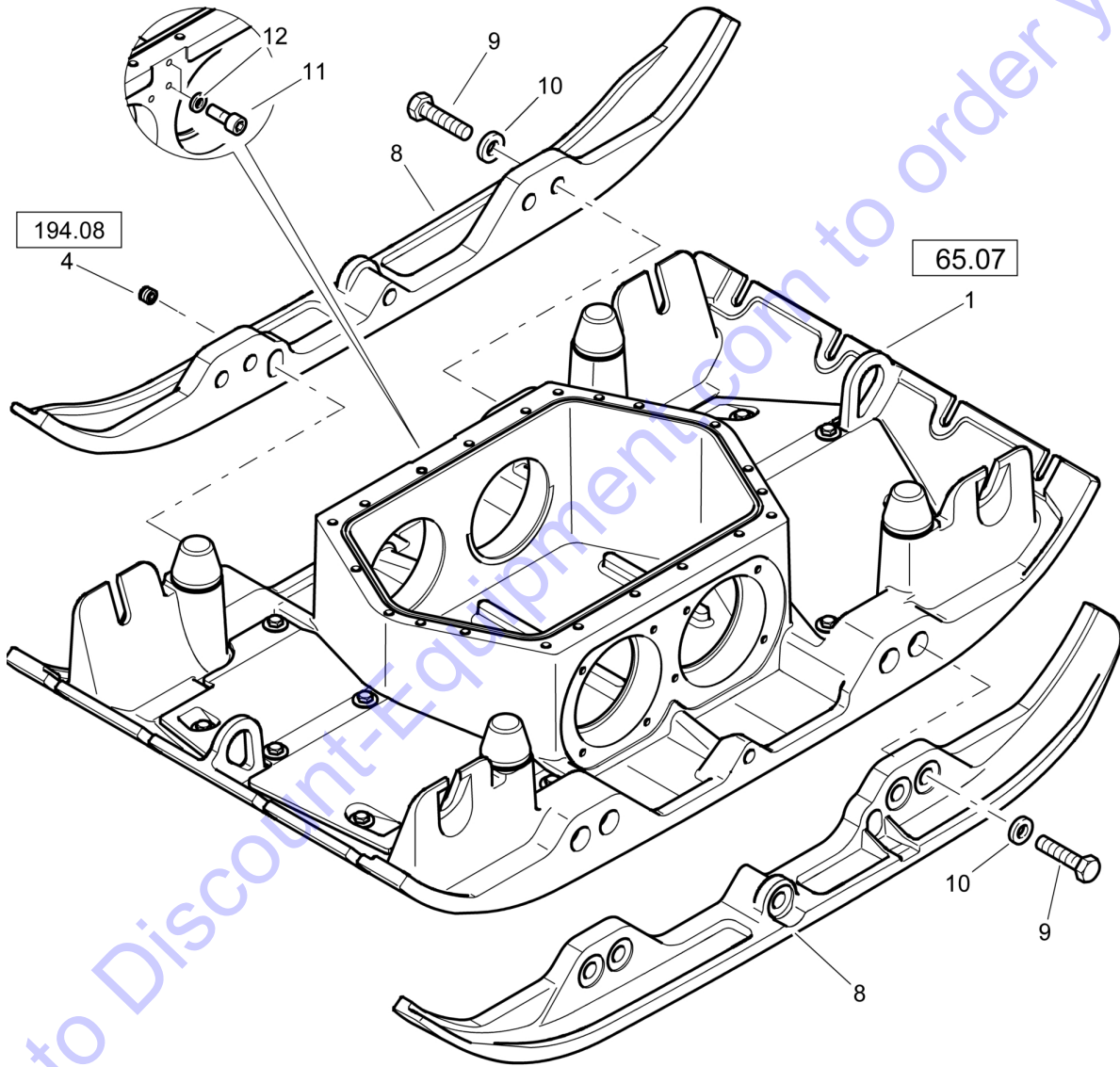



BPR 70/70 D	
S/N 101692632739 ▶	
<b>Base Plate</b>	<b>65.05</b>
	Page <b>1 / 3</b>
	 <b>BOMAG</b> FAYAT GROUP
69020012 1001 1	

Pos.	Part no.	Qty.	Description
1	69020838	1	Base plate,assembled
4	07611415	1	Screw plug
8	69020818	2	Attachment ridge
9	07151600	10	Hexagon bolt
10	08511730	10	Washer
11	07230806	2	Socket-head cap screw
12	08510817	2	Washer

Go to Discount-Equipment.com to order your parts

BPR 70/70 D	
<b>65.05</b>	S/N 101692631001 ▶ S/N 101692632738
	<b>Base Plate</b>
Page <b>1 / 3</b>	
<b>BOMAG</b> FAYAT GROUP	69020012_001_01



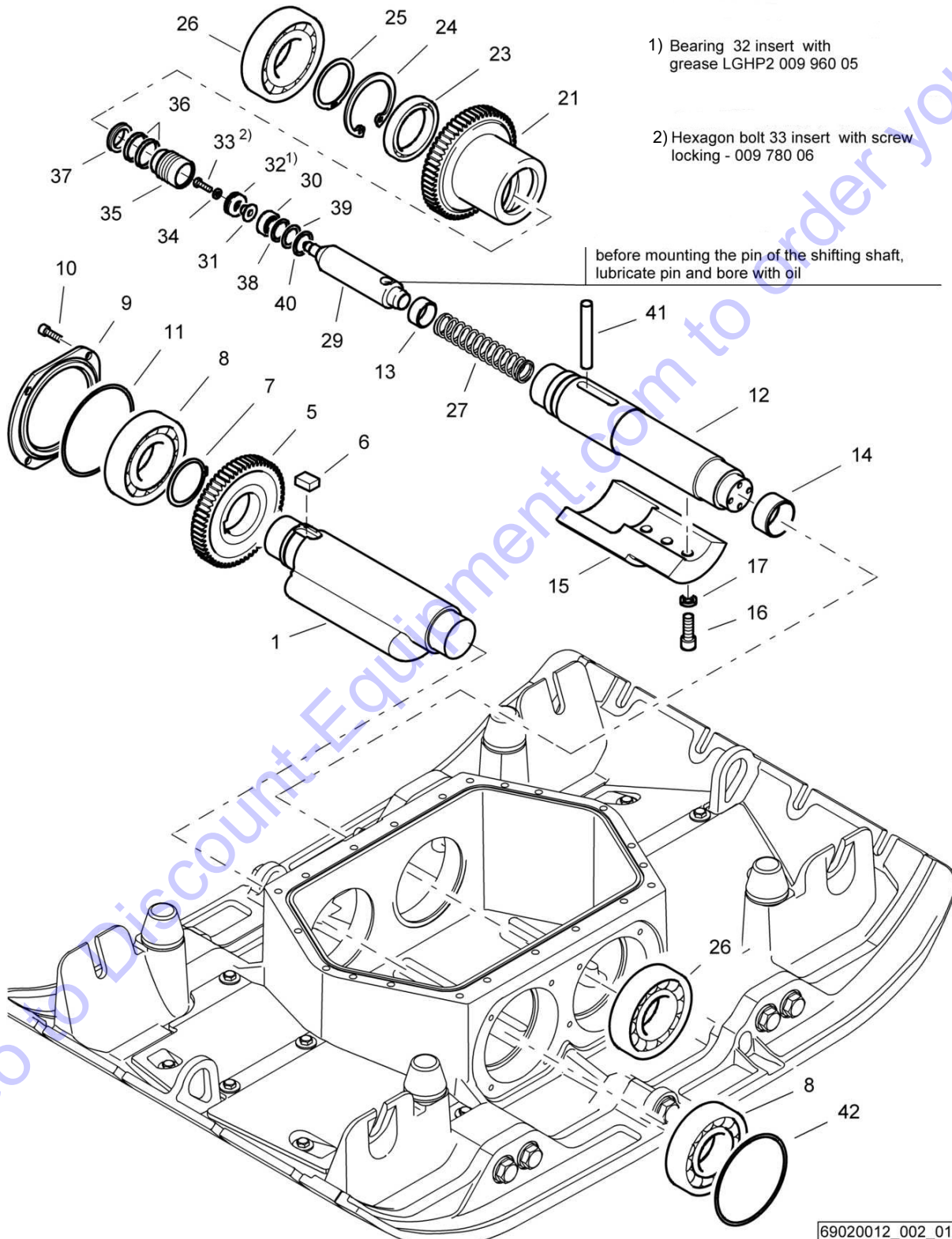
BPR 70/70 D		
S/N 101692631001 ▶ S/N 101692632738		
<b>Base Plate</b>		<b>65.05</b>
		Page <b>1 / 3</b>
	69020012 1001 1	

Pos.	Part no.	Qty.	Description
1	69020741	1	Base plate,assembled
4	07611415	1	Screw plug
8	69020445	2	Ridge
9	07151600	10	Hexagon bolt
10	08511730	10	Washer
11	07230806	2	Socket-head cap screw
12	08510817	2	Washer


Go to Discount-Equipment.com to order your parts

**65.05****Base Plate**Page **2 / 3**

69020012\_002\_01



69020012\_002\_01

BPR 70/70 D		
S/N 101692631664 ▶		
Base Plate		<b>65.05</b>
		Page <b>2 / 3</b>
	69020012 1001 1	

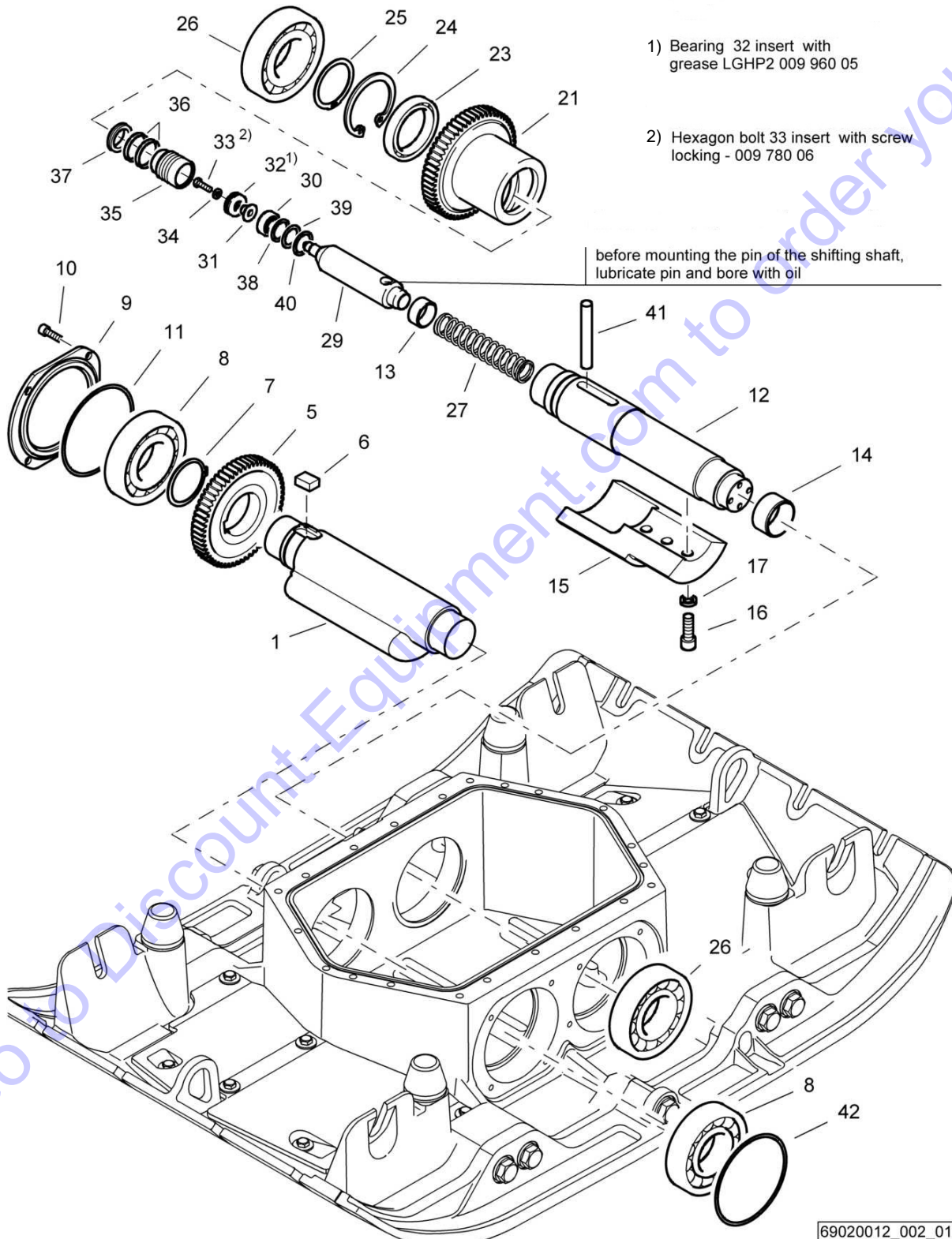
Pos.	Part no.	Qty.	Description
1	69020158	1	Exciter shaft
5	69020131	1	Gear wheel
6	09188303	1	Fitting key
7	09213600	1	Circlip,external
8	05224295	2	Cylinder roller bearing
9	69020324	1	Cover
10	07230819	4	Socket-head cap screw
11	06221193	1	Loop ring
12	69020725	1	Exciter shaft
13	06283100	1	Bushing
14	05428130	1	Inner ring
15	69020749	1	Eccentric weight
16	07231217	3	Socket-head cap screw
17	69210174	3	Washer
21	69020187	1	Gear wheel
23	05117012	1	Ball bearing,grooved
24	09224600	1	Circlip,internal
25	09213600	1	Circlip,external
26	05224295	2	Cylinder roller bearing
27	70010160	1	Pressure spring
29	69020145	1	Control shaft
30	05113700	1	Ball bearing,grooved
31	68110170	1	Bushing
32	05151010	1	Axial ball bearing
33	07140532	1	Hexagon bolt
34	08510511	1	Washer
35	69020727	1	Piston
36	06245052	2	Guiding band
37	06245051	1	Piston seal
38	08602603	1	Spring washer
39	05520510	1	Shim
40	09221130	1	Circlip,internal
41	69020804	1	Pin,cylindric
42	06221193	1	Loop ring

Go to Discount-Equipment.com to order your parts




**65.05****Base Plate**Page **2 / 3**

69020012\_002\_01

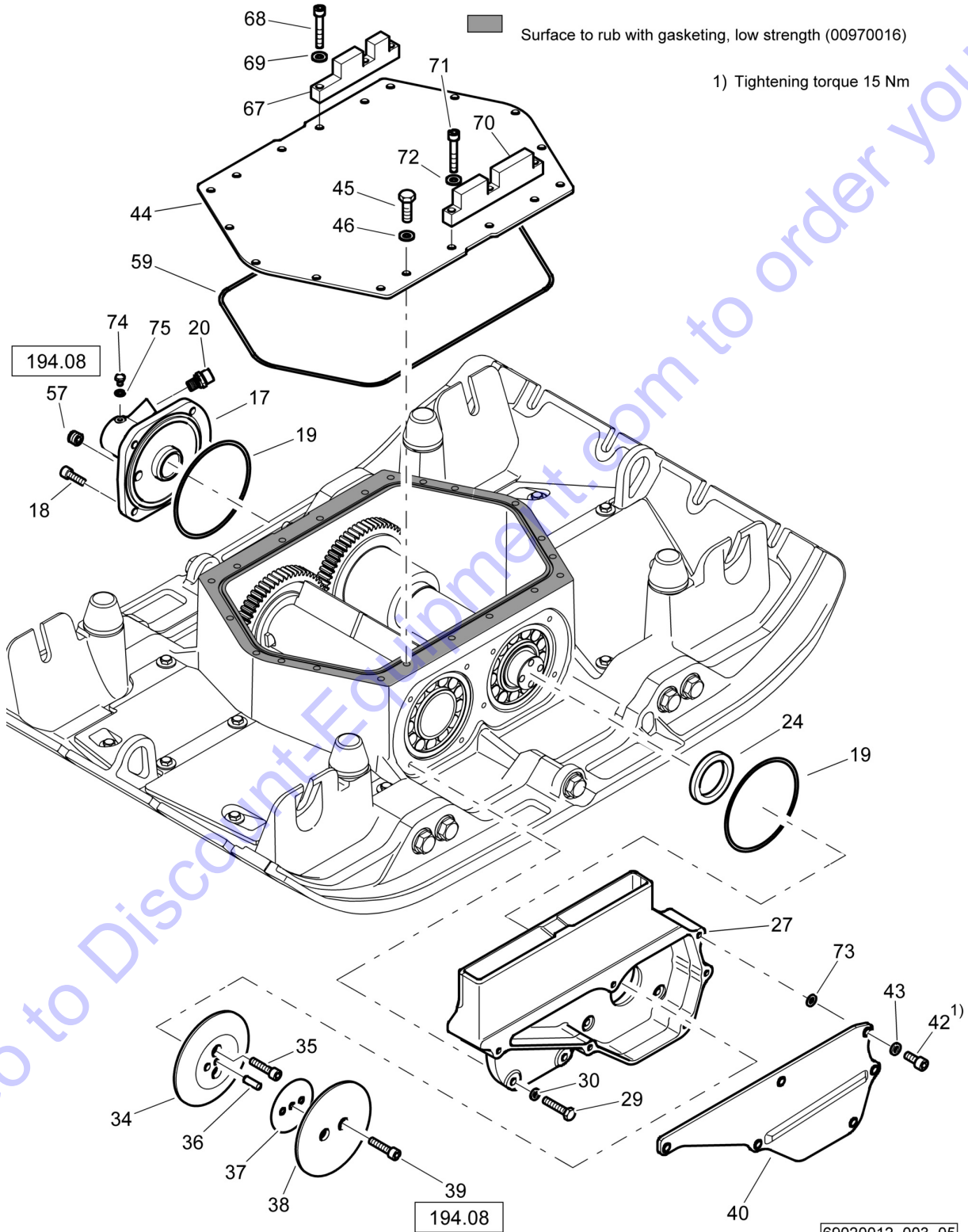



69020012\_002\_01

BPR 70/70 D		
S/N 101692631001 ▶ S/N 101692631663		
Base Plate		<b>65.05</b>
		Page <b>2 / 3</b>
	69020012 1001 1	

Pos.	Part no.	Qty.	Description
1	69020158	1	Exciter shaft
5	69020131	1	Gear wheel
6	09188303	1	Fitting key
7	09213600	1	Circlip,external
8	05224295	2	Cylinder roller bearing
9	69020324	1	Cover
10	07230819	4	Socket-head cap screw
11	06221193	1	Loop ring
12	69020725	1	Exciter shaft
13	06283100	1	Bushing
14	05428130	1	Inner ring
15	69020749	1	Eccentric weight
16	07231217	3	Socket-head cap screw
17	69210174	3	Washer
21	69020187	1	Gear wheel
23	05117012	1	Ball bearing,grooved
24	09224600	1	Circlip,internal
25	09213600	1	Circlip,external
26	05224295	2	Cylinder roller bearing
27	70010160	1	Pressure spring
29	69020145	1	Control shaft
30	05113700	1	Ball bearing,grooved
31	68110170	1	Bushing
32	05151010	1	Axial ball bearing
33	07140532	1	Hexagon bolt
34	08510511	1	Washer
35	69020727	1	Piston
36	06245052	2	Guiding band
37	06245051	1	Piston seal
38	08602603	1	Spring washer
39	05520510	1	Shim
40	09221130	1	Circlip,internal
41	09126825	1	Pin,cylindric
42	06221193	1	Loop ring

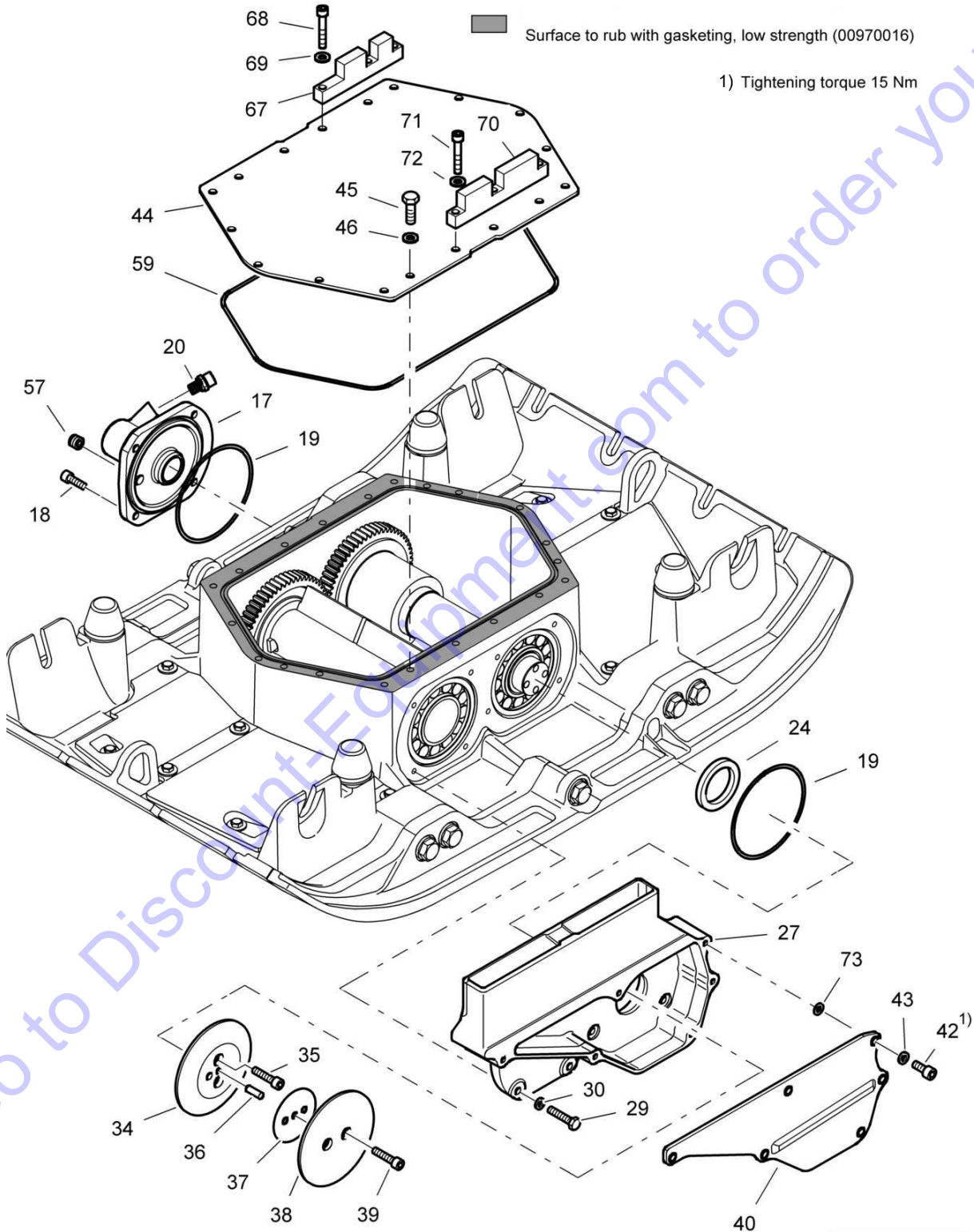
Go to Discount-Equipment.com to order your parts




BPR 70/70 D	
S/N 101692634736 ▶	
Base Plate	<b>65.05</b>
	Page <b>3 / 3</b>
	 <b>BOMAG</b> FAYAT GROUP
69020012 1001 1	

Pos.	Part no.	Qty.	Description
17	69020857	1	Cylinder
18	07230822	4	Socket-head cap screw
19	06221193	2	Loop ring
20	05540007	1	Double-ended union
24	09312810	1	Radial seal
27	69020735	1	V-belt guard
29	07140846	8	Hexagon bolt
30	08510817	8	Washer
34	69020450	1	V-belt pulley
35	07230827	2	Socket-head cap screw
36	09120862	1	Pin,cylindric
37	95695211	1	Shim
38	69020449	1	V-belt pulley
39	07230838	2	Socket-head cap screw
40	69020738	1	Cover
42	07230811	6	Socket-head cap screw
43	08752084	6	Spring washer
44	69020490	1	Housing cover
45	07140846	12	Hexagon bolt
46	06270011	12	Wedge safety washer
57	07611415	1	Screw plug
59	06223306	1	Loop ring
67	69020730	1	Stop
68	07230838	3	Socket-head cap screw
69	06270011	3	Wedge safety washer
70	69020691	1	Stop
71	07230838	3	Socket-head cap screw
72	06270011	3	Wedge safety washer
73	08665000	6	Stop disc
74	07140608	1	Hexagon bolt
75	06210610	1	U-seal

Go to Discount-Equipment.com to order your parts

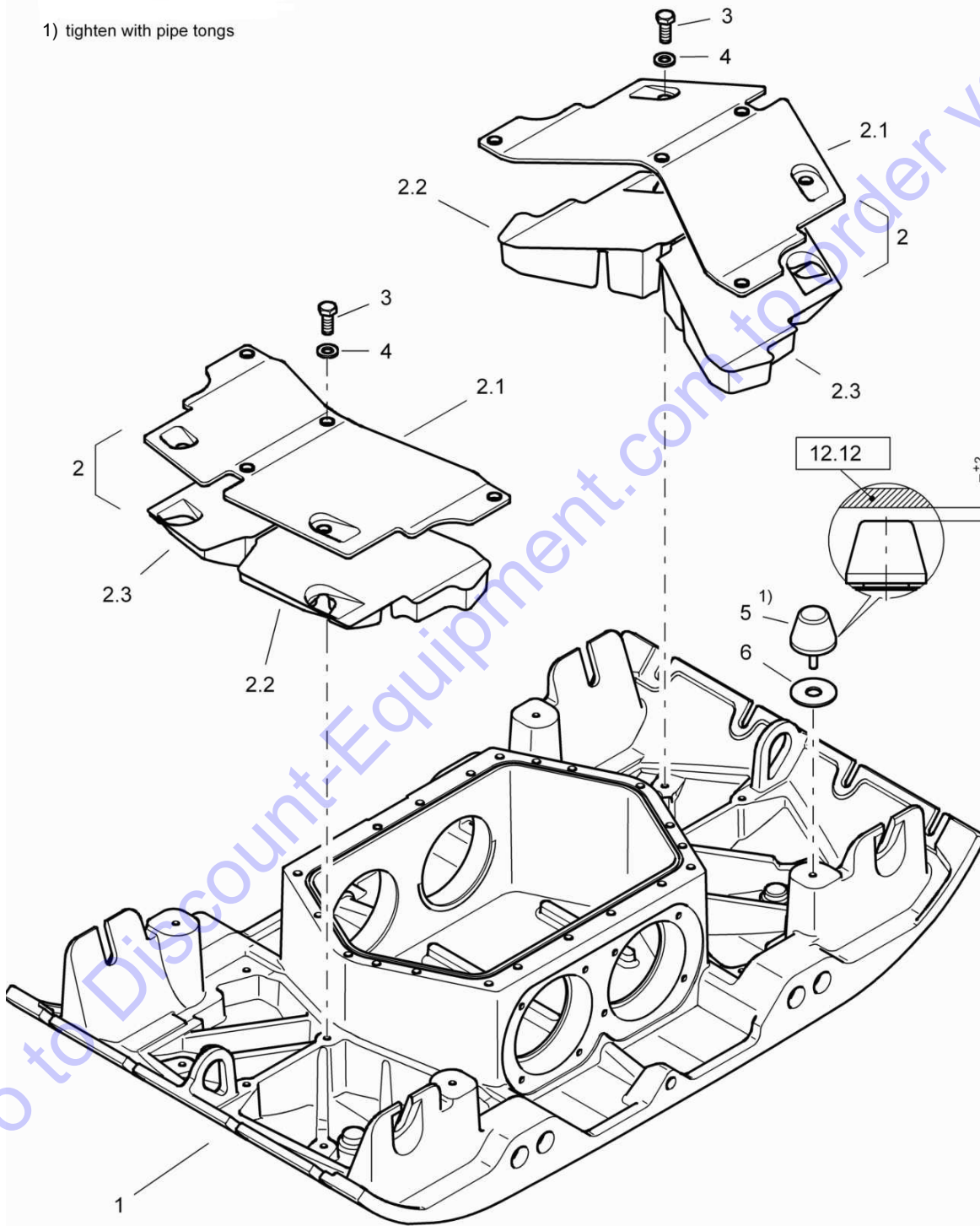



BPR 70/70 D		
S/N 101692631001 ▶ S/N 101692634735		
Base Plate		<b>65.05</b>
		Page <b>3 / 3</b>
	69020012 1001 1	

Pos.	Part no.	Qty.	Description
17	69020160	1	Cylinder
18	07230822	4	Socket-head cap screw
19	06221193	2	Loop ring
20	05540007	1	Double-ended union
24	09312810	1	Radial seal
27	69020735	1	V-belt guard
29	07140846	8	Hexagon bolt
30	08510817	8	Washer
34	69020450	1	V-belt pulley
35	07230827	2	Socket-head cap screw
36	09120862	1	Pin,cylindric
37	95695211	1	Shim
38	69020449	1	V-belt pulley
39	07230838	2	Socket-head cap screw
40	69020738	1	Cover
42	07230811	6	Socket-head cap screw
43	08752084	6	Spring washer
44	69020490	1	Housing cover
45	07140846	12	Hexagon bolt
46	06270011	12	Wedge safety washer
57	07611415	1	Screw plug
59	06223306	1	Loop ring
67	69020730	1	Stop
68	07230838	3	Socket-head cap screw
69	06270011	3	Wedge safety washer
70	69020691	1	Stop
71	07230838	3	Socket-head cap screw
72	06270011	3	Wedge safety washer
73	08665000	6	Stop disc

Go to Discount-Equipment.com to order your parts

1) tighten with pipe tongs



BPR 70/70 D		
S/N 101692631001 ▶ S/N 101692632738		
Base plate, assembled		<b>65.07</b>
		Page 1 / 1
69020741 1001 1		

Pos.	Part no.	Qty.	Description
------	----------	------	-------------

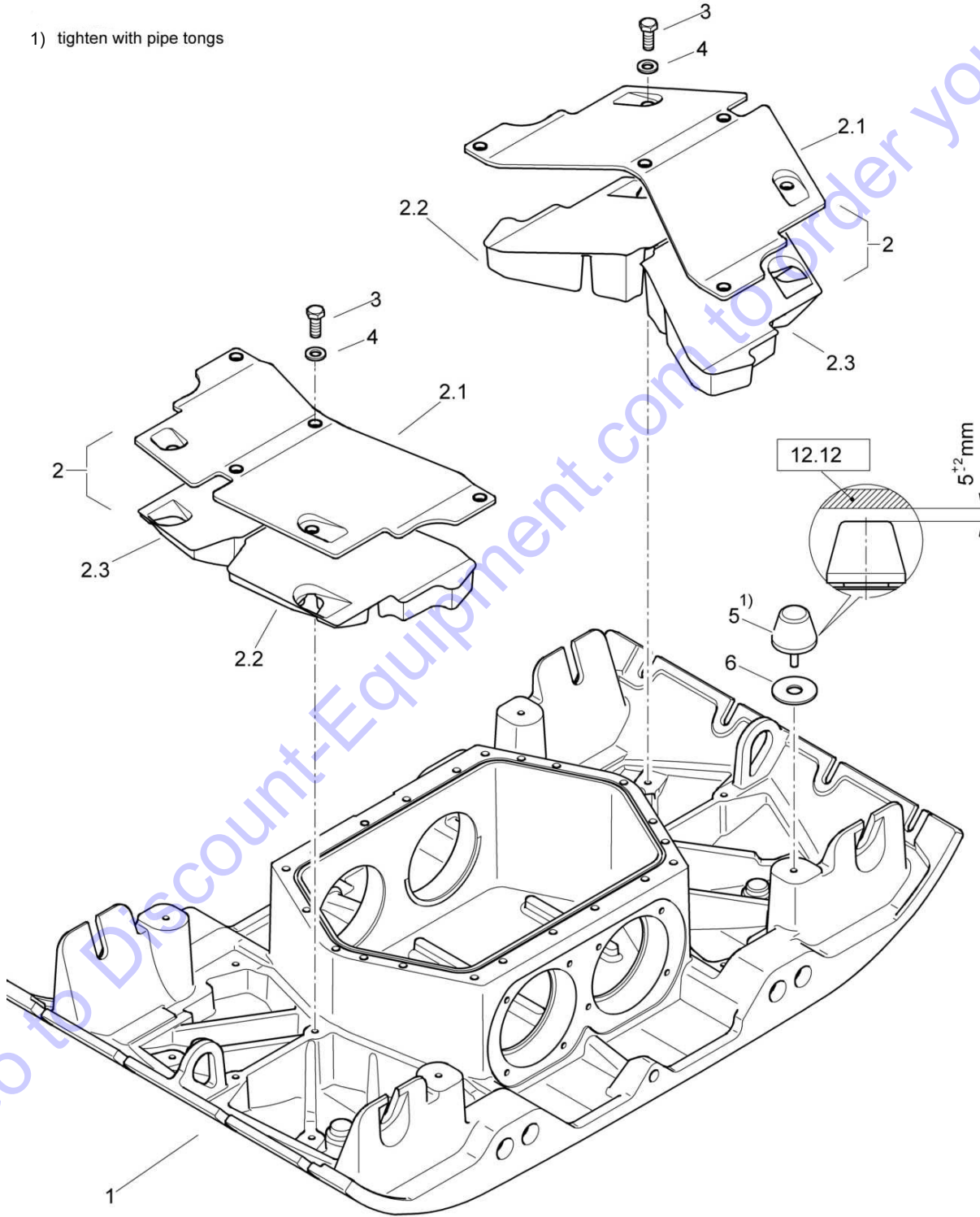
1	69020693	1	Base plate
2	69020491	2	Hood, cover
2.1	69020492	1	Cover plate
2.2	69020493	1	Foam
2.3	69020494	1	Foam
3	07140824	12	Hexagon bolt
4	08621084	12	Washer
5	06148083	4	Stop buffer
6	69020394	4	Washer


Go to Discount-Equipment.com to order your parts



	BPR 70/70 D	
<b>65.07</b>		S/N 101692633806 ▶
	<b>Base plate, assembled</b>	
Page <b>1 / 1</b>		
<b>BOMAG</b> FAYAT GROUP		69020838_000_00

1) tighten with pipe tongs



BPR 70/70 D	
S/N 101692633806 ▶	
Base plate, assembled	<b>65.07</b>
	Page 1 / 1
	
69020838 1001 1	

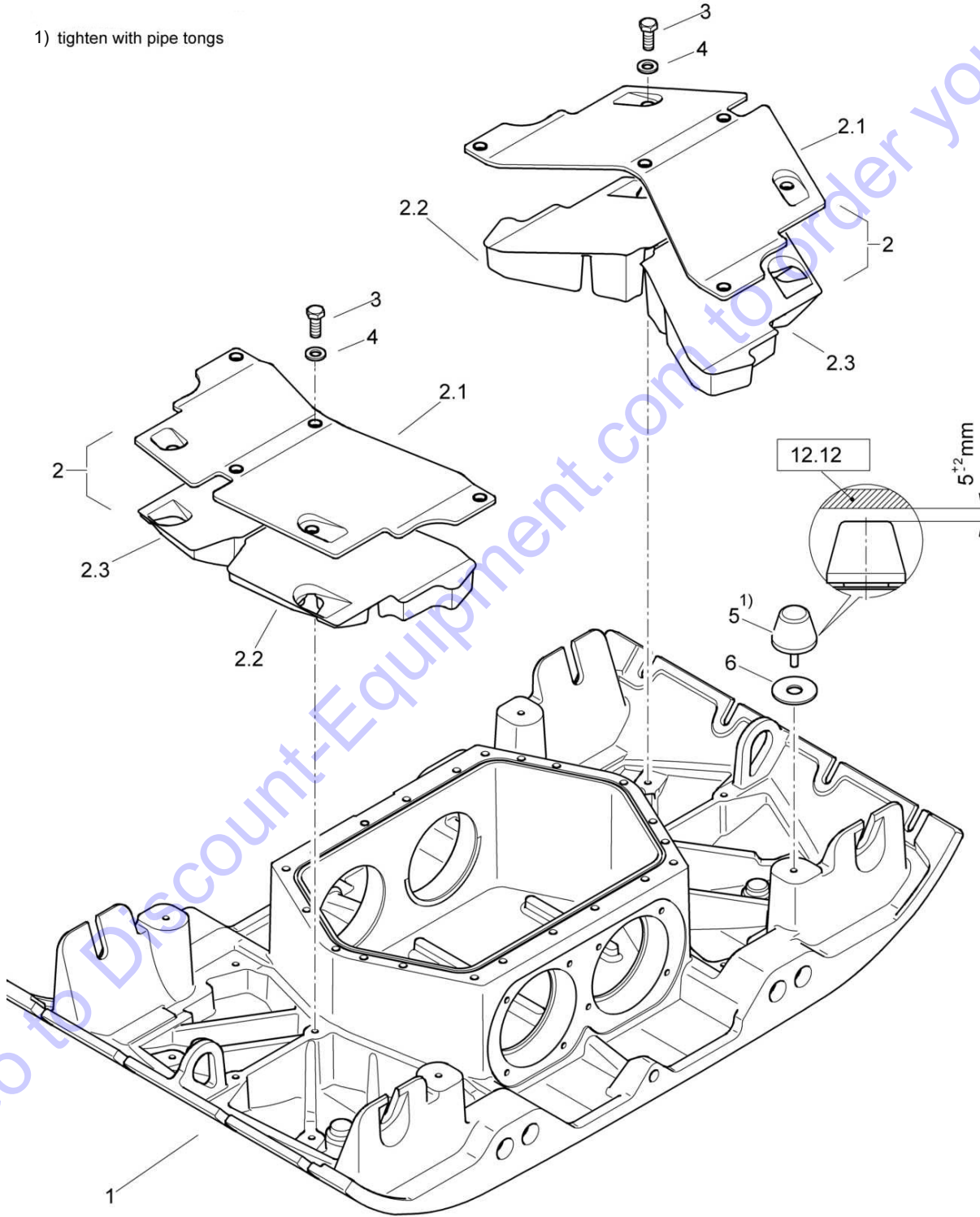
**Pos. Part no. Qty. Description**


1	69020817	1	Base plate
2	69020491	2	Hood, cover
2.1	69020492	1	Cover plate
2.2	69020493	1	Foam
2.3	69020494	1	Foam
3	07140824	12	Hexagon bolt
4	08621084	12	Washer
5	06148083	4	Stop buffer
6	69020394	4	Washer

Go to Discount-Equipment.com to order your parts

BPR 70/70 D	
<b>65.07</b>	S/N 101692632739 ▶ S/N 101692633805
	<b>Base plate, assembled</b>
Page <b>1 / 1</b>	
<b>BOMAG</b> FAYAT GROUP	69020838_000_00

1) tighten with pipe tongs



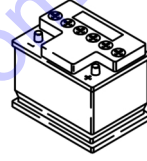
BPR 70/70 D		
S/N 101692632739 ▶ S/N 101692633805		
Base plate, assembled		<b>65.07</b>
		Page <b>1 / 1</b>
	69020838 1001 1	

**Pos. Part no. Qty. Description**

1	69020817	1	Base plate
2	69020491	2	Hood, cover
2.1	69020492	1	Cover plate
2.2	69020493	1	Foam
2.3	69020494	1	Foam
3	07140824	12	Hexagon bolt
4	08621084	12	Washer
5	06148083	4	Stop buffer
6	69020394	4	Washer

Go to Discount-Equipment.com to order your parts

Electrical System



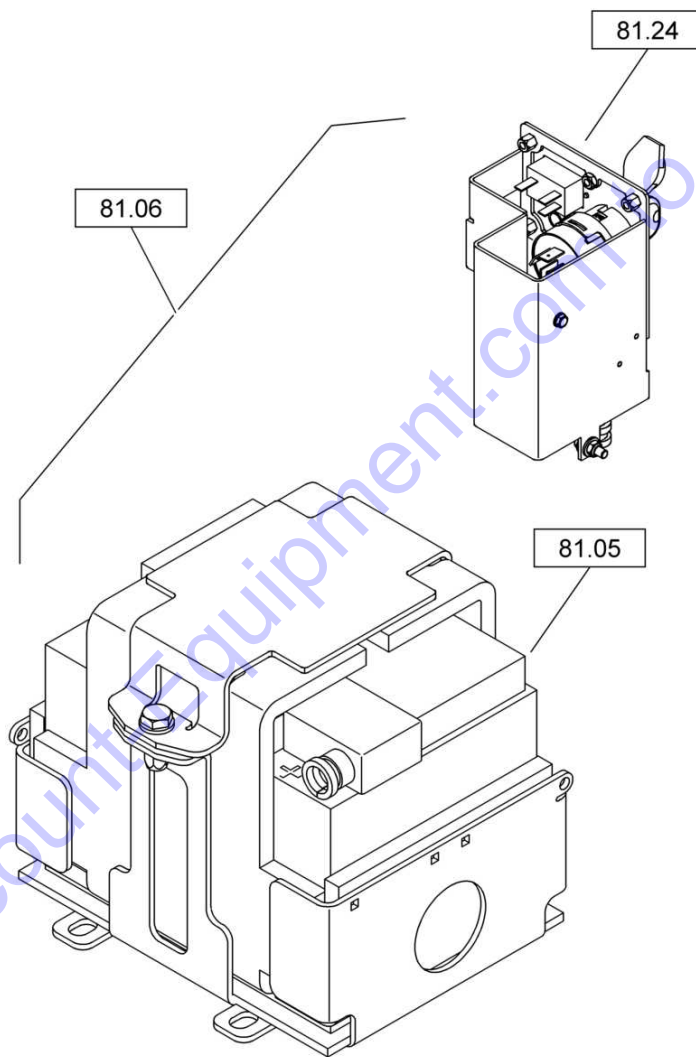
**80**


Go to [Discount-Equipment.com](http://Discount-Equipment.com) to order your parts

**80.00**

**Electrical System**

Page /

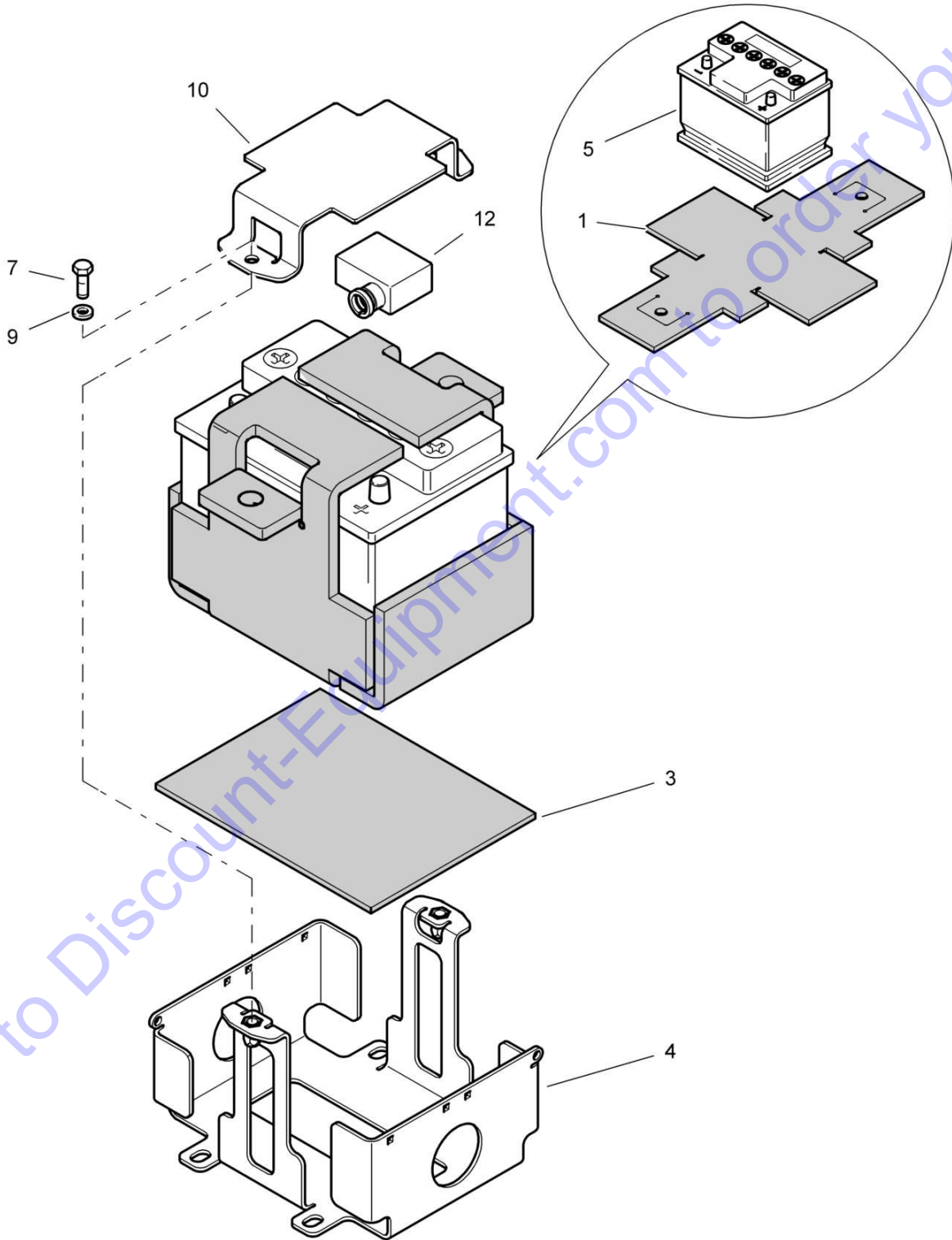


<b>Electrical System</b>	<b>80.00</b>
	Page /
	

**Pos. Description**


- 81.05 Battery
- 81.06 Electrics
- 81.24 Central electric, assembled
- 81.24 Central electric, assembled

Go to Discount-Equipment.com to order your parts



Go to Discount-Equipment.com to order your parts



BPR 70/70 D	
S/N 101692631001 ▶	
<b>Battery</b>	<b>81.05</b>
	Page 1 / 1
	
69070172 1001 1	

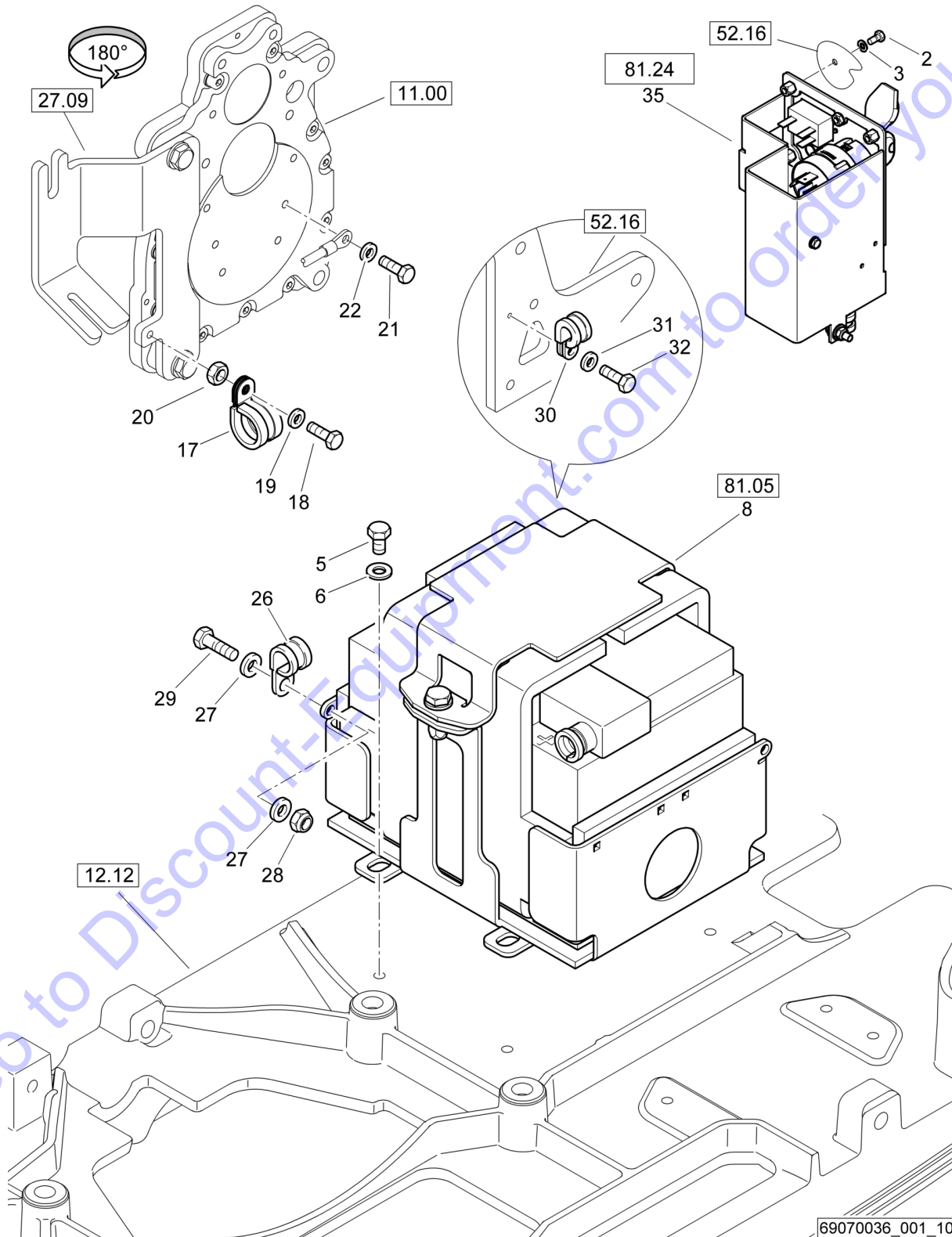
Pos.	Part no.	Qty.	Description
------	----------	------	-------------


1	69070223	1	Insulating mat
3	69070125	1	Insulating mat
4	69070265	1	Battery box
5	05753267	1	Battery
7	07141039	2	Hexagon bolt
9	08511021	2	Washer
10	69070222	1	Bow
12	05753265	1	Cap, cover

Go to Discount-Equipment.com to order your parts

# 81.06

## Electrics



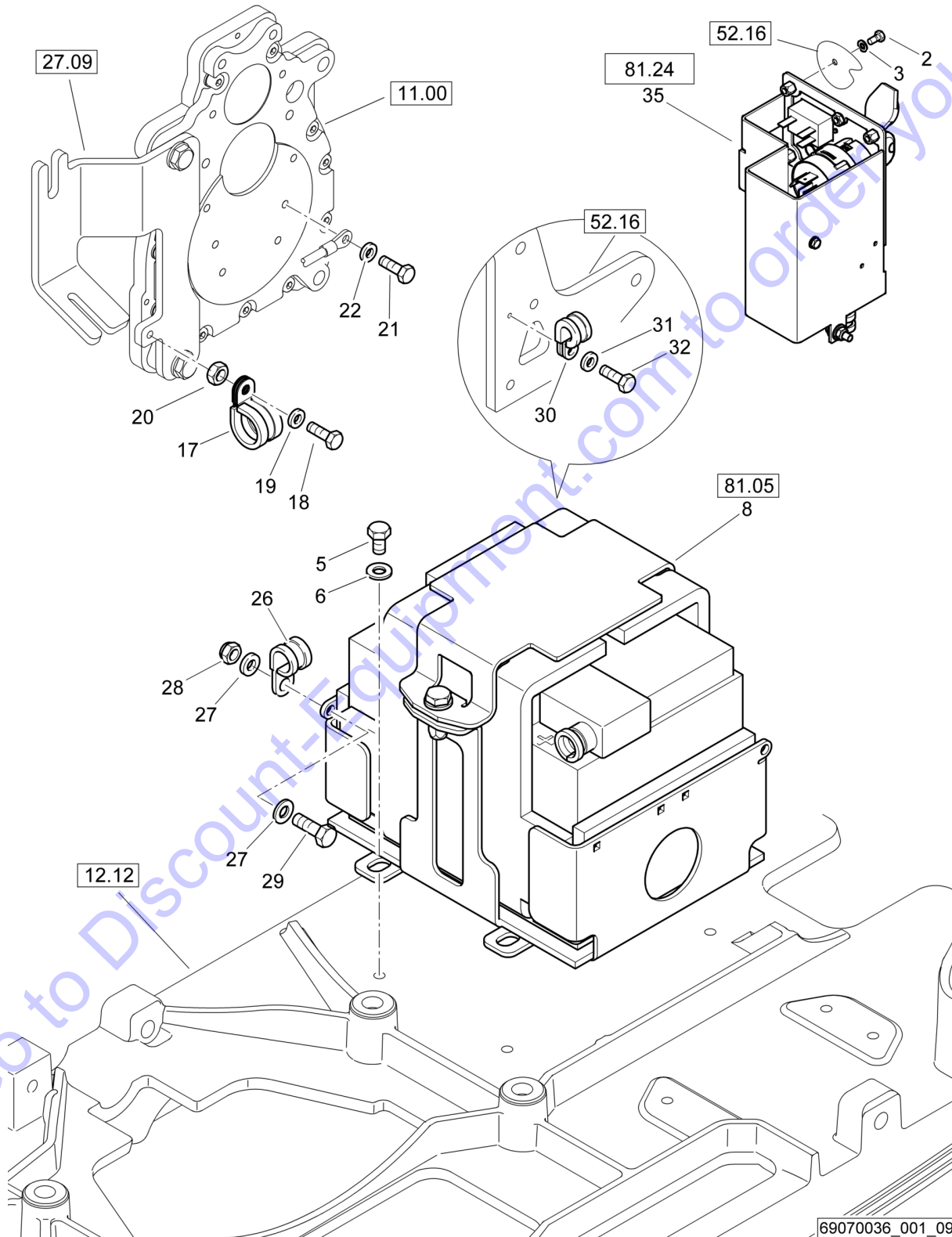
BPR 70/70 D		
S/N 101692635050 ▶		
<b>Electrics</b>		<b>81.06</b>
		Page <b>1 / 2</b>
	69070036 1001 1	


Pos.	Part no.	Qty.	Description
2	07140633	4	Hexagon bolt
3	08510612	4	Washer
5	07141008	4	Hexagon bolt
6	08511021	4	Washer
8	69070172	1	Battery
17	05551907	1	Tube clamp
18	07140834	1	Hexagon bolt
19	08510817	1	Washer
20	08111016	1	Hexagon nut
21	07140818	1	Hexagon bolt
22	08510817	1	Washer
26	05551914	1	Tube clamp
27	08510612	2	Washer
28	08130611	1	Safety nut
29	07140641	1	Hexagon bolt
30	05551901	1	Tube clamp
31	08510612	1	Washer
32	07140633	1	Hexagon bolt
35	69070289	1	Central electric, assembled

Go to Discount-Equipment.com to order your parts

# 81.06

## Electrics



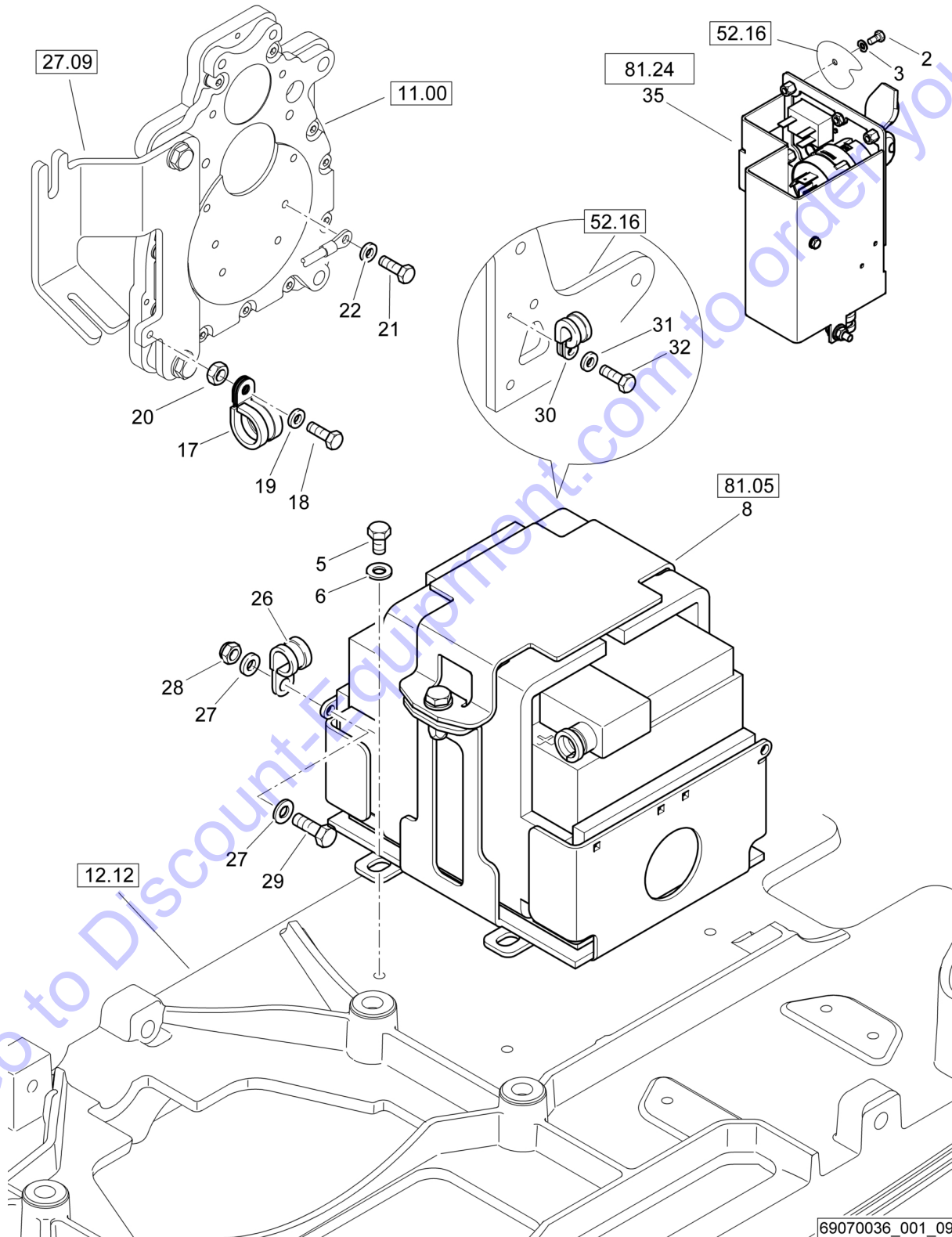
BPR 70/70 D		
S/N 101692634609 ▶ S/N 101692635049		
<b>Electrics</b>		<b>81.06</b>
		Page <b>1 / 2</b>
	69070036 1001 1	


Pos.	Part no.	Qty.	Description
2	07140633	4	Hexagon bolt
3	08510612	4	Washer
5	07141008	4	Hexagon bolt
6	08511021	4	Washer
8	69070172	1	Battery
17	05551931	1	Tube clamp
18	07140834	1	Hexagon bolt
19	08510817	1	Washer
20	08111016	1	Hexagon nut
21	07140818	1	Hexagon bolt
22	08510817	1	Washer
26	05551914	1	Tube clamp
27	08510612	2	Washer
28	08130611	1	Safety nut
29	07140633	1	Hexagon bolt
30	05551901	1	Tube clamp
31	08510612	1	Washer
32	07140633	1	Hexagon bolt
35	69070289	1	Central electric, assembled

Go to Discount-Equipment.com to order your parts

# 81.06

## Electrics



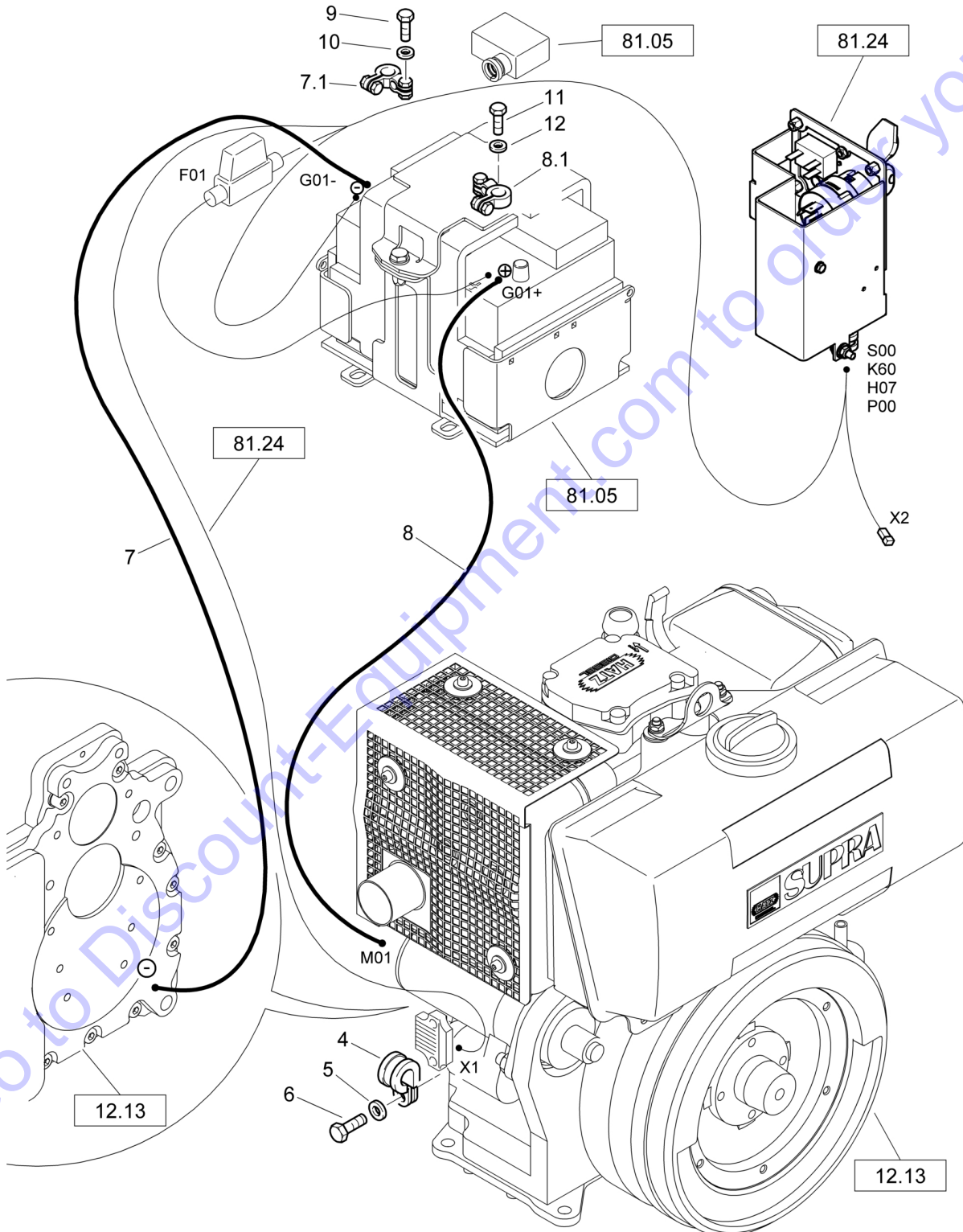
BPR 70/70 D		
S/N 101692631001 ▶ S/N 101692634608		<b>81.06</b>
<b>Electrics</b>		Page <b>1 / 2</b>
	69070036 1001 1	

Pos.	Part no.	Qty.	Description
2	07140633	4	Hexagon bolt
3	08510612	4	Washer
5	07141008	4	Hexagon bolt
6	08511021	4	Washer
8	69070172	1	Battery
17	05551931	1	Tube clamp
18	07140834	1	Hexagon bolt
19	08510817	1	Washer
20	08111016	1	Hexagon nut
21	07140818	1	Hexagon bolt
22	08510817	1	Washer
26	05551914	1	Tube clamp
27	08510612	2	Washer
28	08130611	1	Safety nut
29	07140633	1	Hexagon bolt
30	05551901	1	Tube clamp
31	08510612	1	Washer
32	07140633	1	Hexagon bolt
35	69070272	1	Central electric, assembled


Go to Discount-Equipment.com to order your parts

**81.06**

**Electrics**





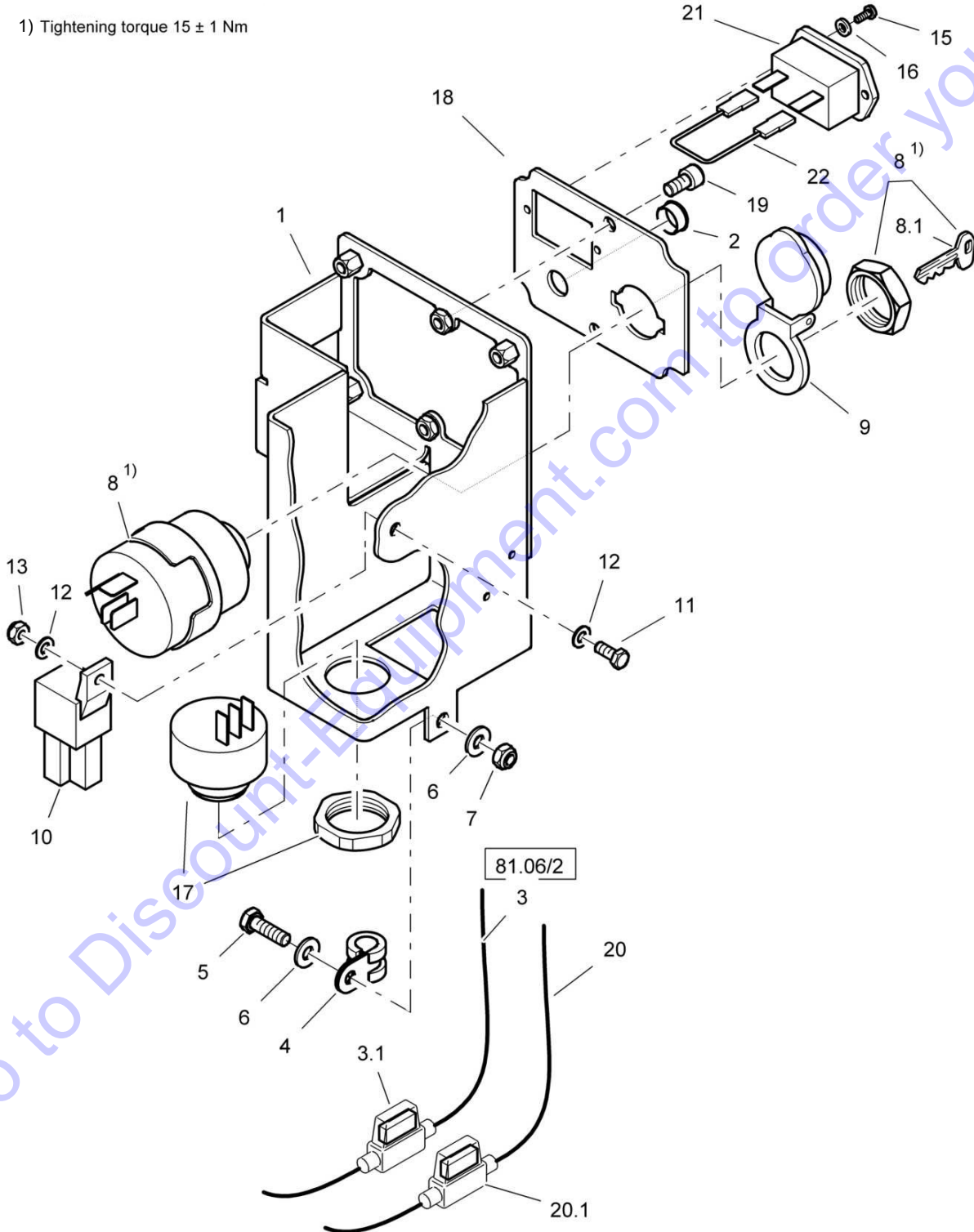
BPR 70/70 D		
S/N 101692631001 ▶		
Electrics		<b>81.06</b>
		Page <b>2 / 2</b>
	69070036 1001 1	

**Pos. Part no. Qty. Description**


4	05551944	1	Tube clamp
5	08510612	1	Washer
6	07140633	1	Hexagon bolt
7	69070134	1	Wire harness
7.1	05756012	1	Screw rail clip
8	69070133	1	Wire harness
8.1	05756011	1	Screw rail clip
9	07140626	1	Hexagon bolt
10	08510612	1	Washer
11	07140626	1	Hexagon bolt
12	08510612	1	Washer

Go to Discount-Equipment.com to order your parts

1) Tightening torque  $15 \pm 1$  Nm



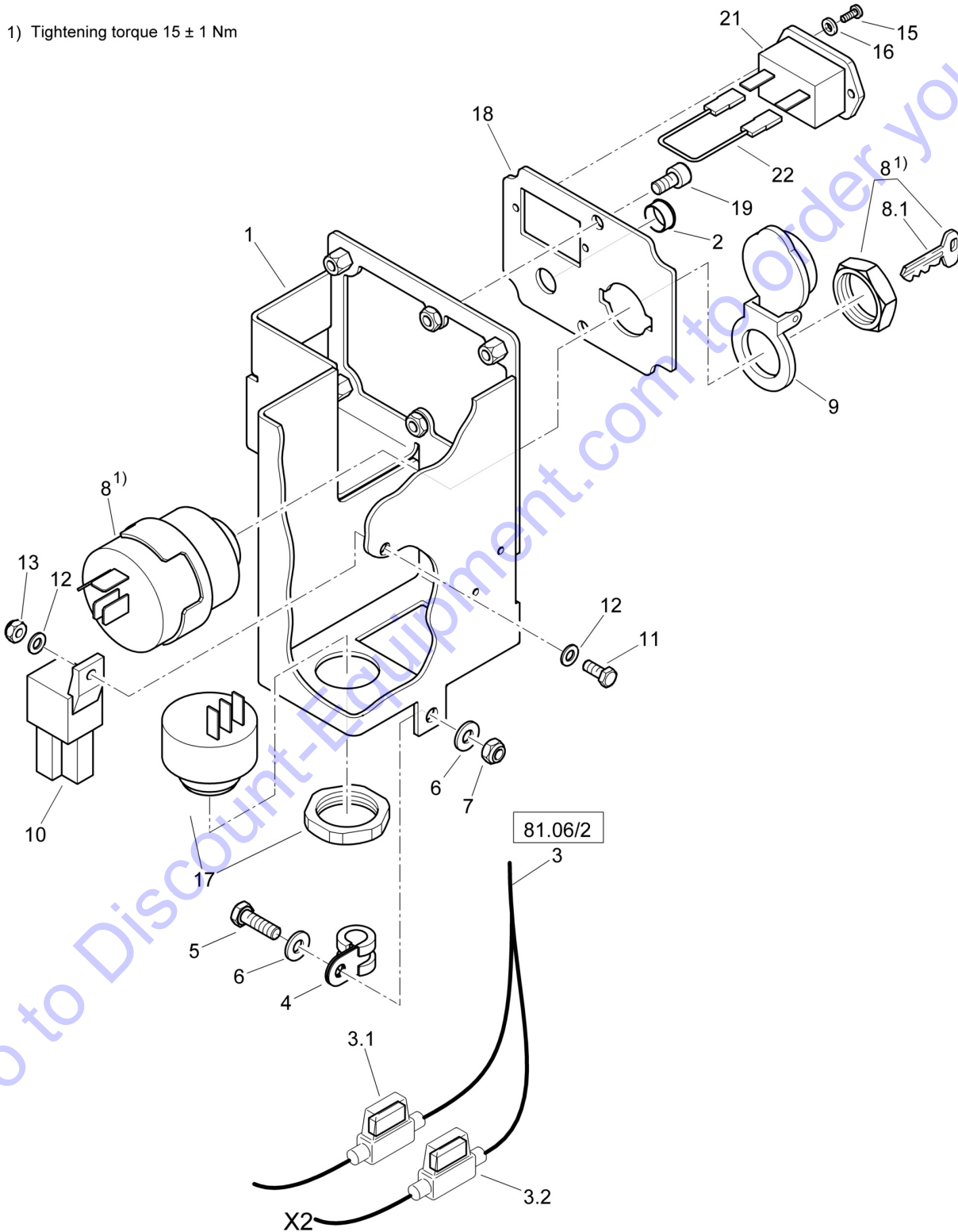
81.06/2


BPR 70/70 D		
S/N 101692631001 ▶ S/N 101692634608		<b>81.24</b>
Central electric, assembled		Page 1 / 1
69070272 1001 1		

Pos.	Part no.	Qty.	Description
1	69070256	1	Box
2	06510212	1	Plug
3	69070132	1	Wire harness
3.1	05755196	1	Flat fuse
4	05551901	1	Tube clamp
5	07140633	1	Hexagon bolt
6	08751064	2	Spring washer
7	08130611	1	Safety nut
8	05766813	1	Glower starter switch
8.1	05755124	2	Key,ignition
9	05766885	1	Cover
10	05766958	1	Relay
11	07140520	1	Hexagon bolt
12	08510511	2	Washer
13	08130508	1	Safety nut
15	07210316	2	Pens head screw
16	08510307	2	Washer
17	05751225	1	Warning buzzer
18	69070245	1	Cover plate
19	07230693	2	Socket-head cap screw
20	69203023	1	Wire harness
20.1	05755207	1	Flat fuse
21	05766887	1	Hourmeter
22	69070241	1	Wire harness

Go to Discount-Equipment.com to order your parts

1) Tightening torque  $15 \pm 1$  Nm




BPR 70/70 D	
S/N 101692635039 ▶	
Central electric, assembled	<b>81.24</b>
	Page 1 / 1
	
69070289 1001 1	

Pos.	Part no.	Qty.	Description
1	69070288	1	Box
2	06510212	1	Plug
3	69070285	1	Wire harness
3.1	05755196	1	Flat fuse
3.2	05755207	1	Flat fuse
4	05551901	1	Tube clamp
5	07140633	1	Hexagon bolt
6	08751064	2	Spring washer
7	08130611	1	Safety nut
8	05766813	1	Glower starter switch
8.1	05755124	2	Key,ignition
9	05766885	1	Cover
10	05766958	1	Relay
11	07140520	1	Hexagon bolt
12	08510511	2	Washer
13	08130508	1	Safety nut
15	07210316	2	Pens head screw
16	08510307	2	Washer
17	05751225	1	Warning buzzer
18	69070245	1	Cover plate
19	07230693	2	Socket-head cap screw
21	05766887	1	Hourmeter
22	69070241	1	Wire harness

Go to Discount-Equipment.com to order your parts



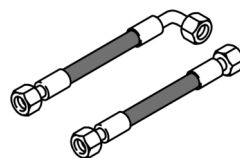
BPR 70/70 D		
S/N 101692634609 ▶ S/N 101692635038		
Central electric, assembled		<b>81.24</b>
		Page <b>1 / 1</b>
69070289 1001 1		

Pos.	Part no.	Qty.	Description
1	69070288	1	Box
2	06510212	1	Plug
3	69070132	1	Wire harness
3.1	05755196	1	Flat fuse
4	05551901	1	Tube clamp
5	07140633	1	Hexagon bolt
6	08751064	2	Spring washer
7	08130611	1	Safety nut
8	05766813	1	Glower starter switch
8.1	05755124	2	Key,ignition
9	05766885	1	Cover
10	05766958	1	Relay
11	07140520	1	Hexagon bolt
12	08510511	2	Washer
13	08130508	1	Safety nut
15	07210316	2	Pens head screw
16	08510307	2	Washer
17	05751225	1	Warning buzzer
18	69070245	1	Cover plate
19	07230693	2	Socket-head cap screw
20	69203023	1	Wire harness
20.1	05755207	1	Flat fuse
21	05766887	1	Hourmeter
22	69070241	1	Wire harness

Go to Discount-Equipment.com to order your parts

Go to [Discount-Equipment.com](http://Discount-Equipment.com) to order your parts

Hydraulic



**90**



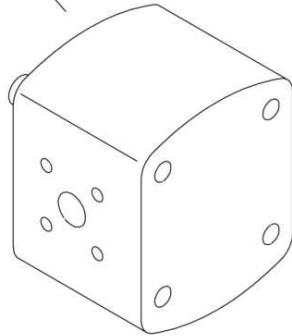
**90.00**

Hydraulic

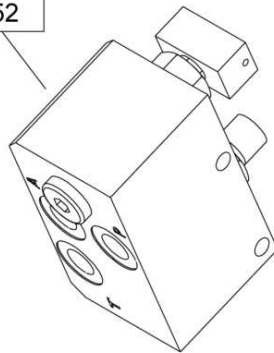
Page /




99.32



99.52



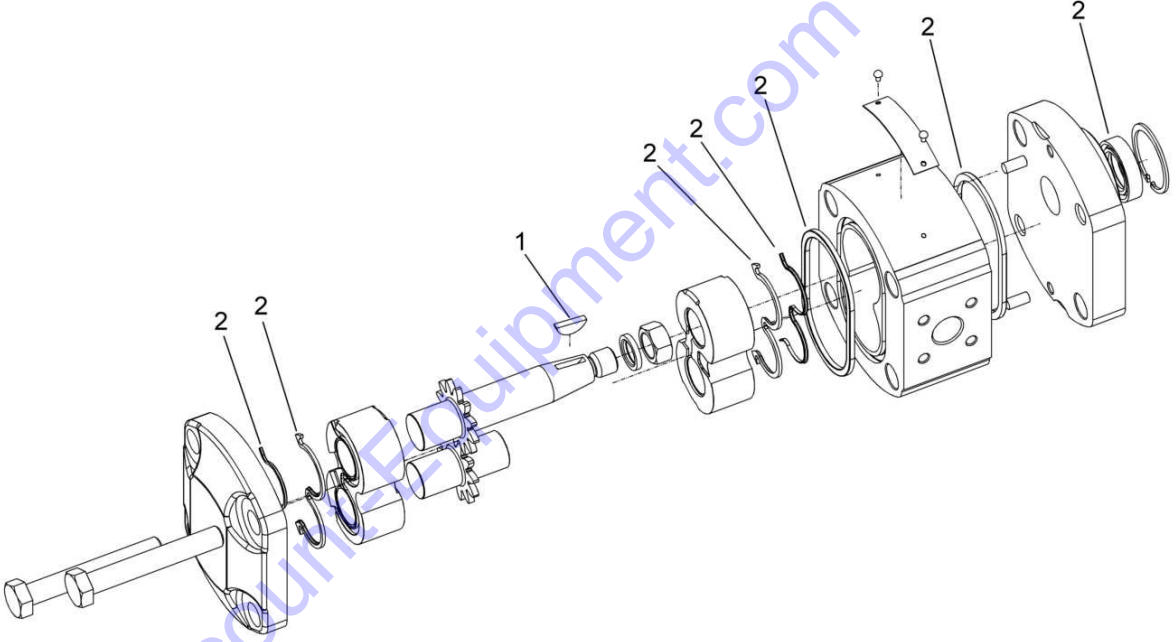
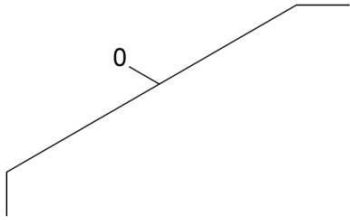
Hydraulic	<b>90.00</b>
	Page /
	

**Pos. Description**


- 99.32 Gear pump
- 99.32 Gear pump
- 99.52 Control Valve

Go to Discount-Equipment.com to order your parts

	BPR 70/70 D	S/N 101692631001 ▶ S/N 101692633235
<b>99.32</b>	<b>Gear pump</b>	
Page <b>1 / 1</b>		
<b>BOMAG</b> FAYAT GROUP	EA002521_000_00	



Go to [DiscountEquipment.com](http://DiscountEquipment.com) to order your parts

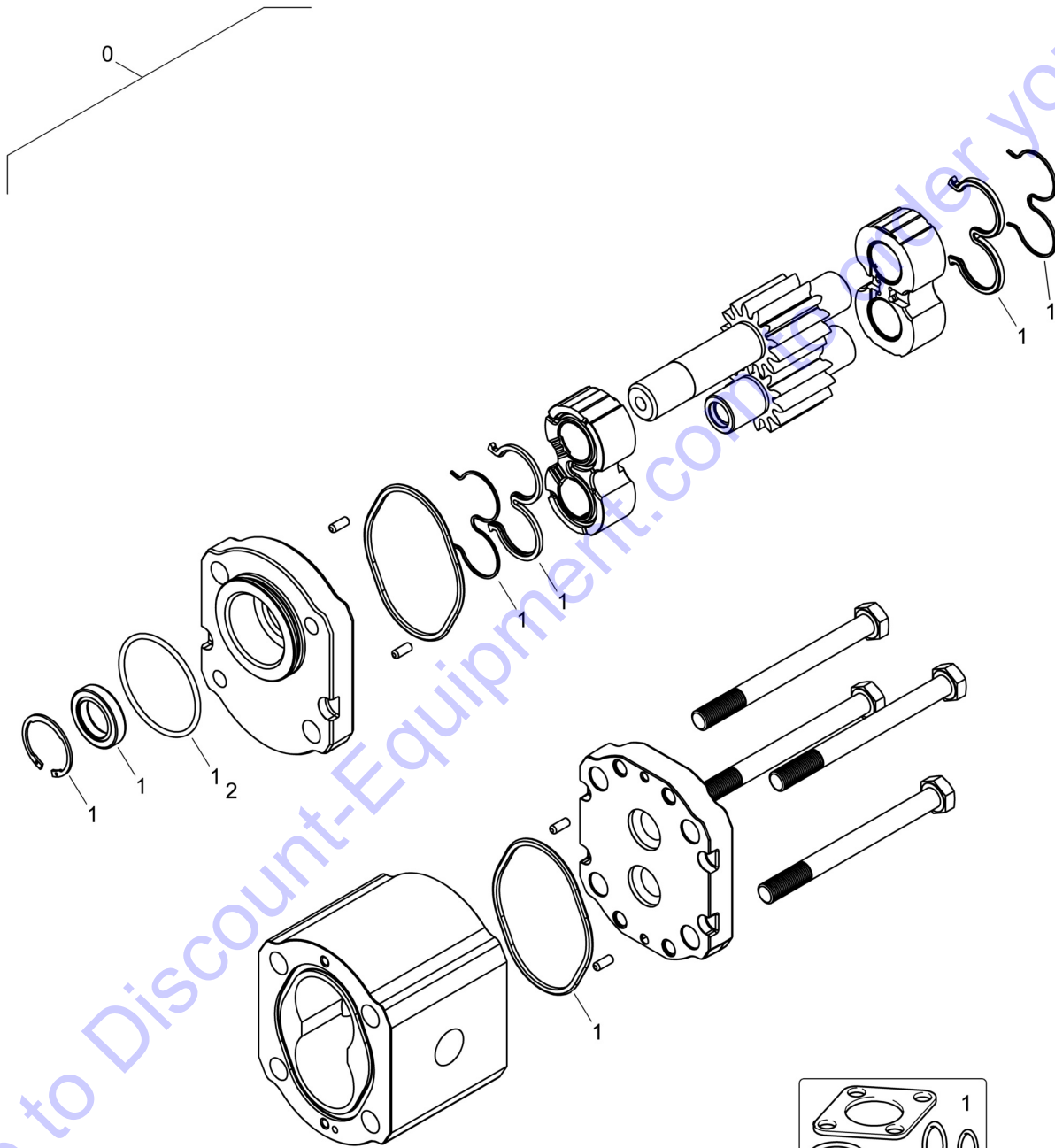
BPR 70/70 D		
S/N 101692631001 ▶ S/N 101692633235		
Gear pump		<b>99.32</b>
		Page 1 / 1
	EA002521 1001 E	


**Pos. Part no. Qty. Description**

0	05816232	1	Gear pump
1	09190303	1	>Woodruff key
2	05816233	1	Kit,seal

Go to Discount-Equipment.com to order your parts

	BPR 70/70 D	
<b>99.32</b>		S/N 101692633236 ▶
	<b>Gear pump</b>	
Page <b>1 / 1</b>		
<b>BOMAG</b> FAYAT GROUP	EA006006_000_00	

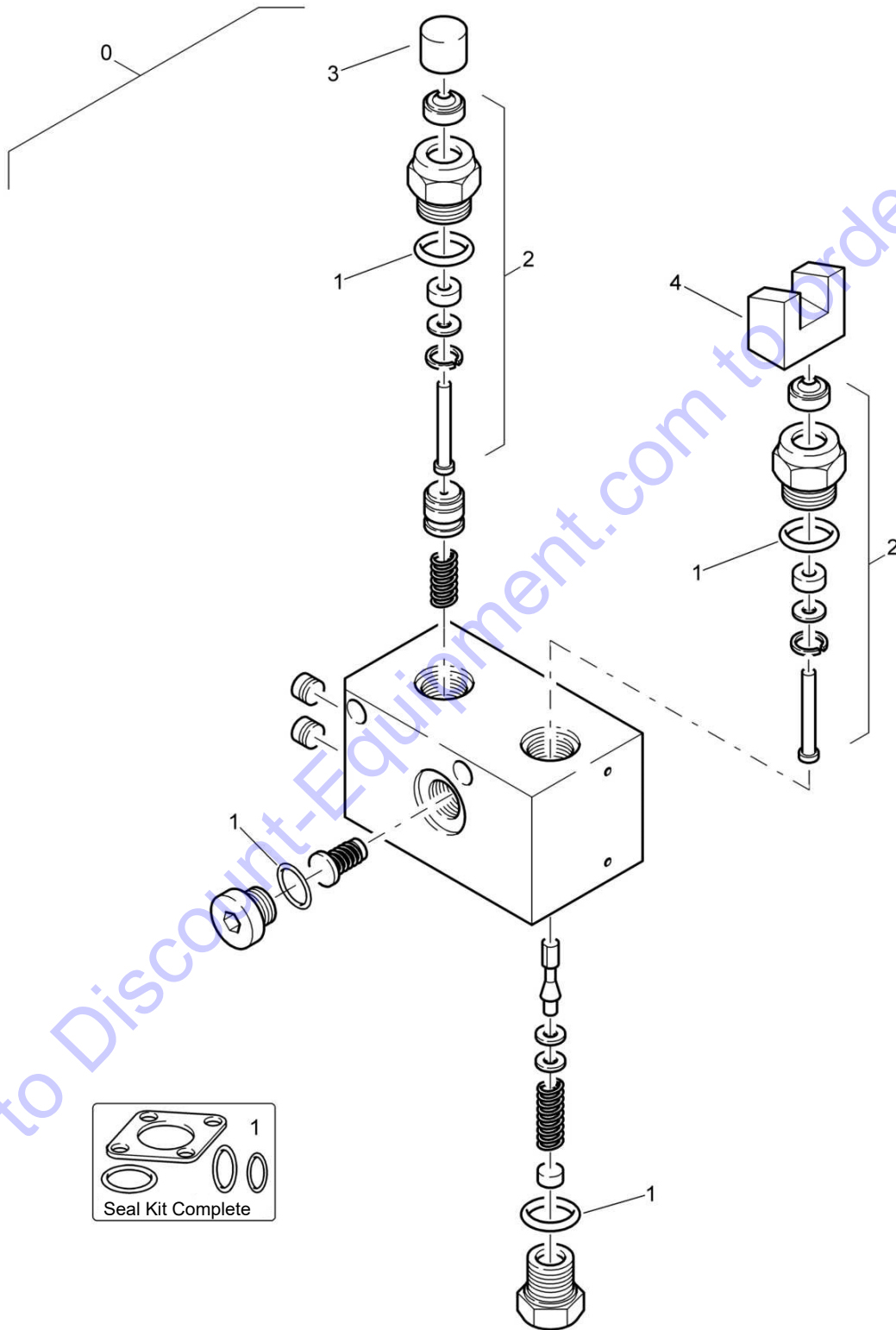



BPR 70/70 D		
S/N 101692633236 ▶		
Gear pump		<b>99.32</b>
		Page <b>1 / 1</b>
	EA006006 1001 E	

Pos.	Part no.	Qty.	Description	Benennung
0	05816283	1	Gear pump	
1	05810567	1	>Kit,seal	
2	05813334	1	>>O-ring	

Go to Discount-Equipment.com to order your parts

	BPR 70/70 D	
<b>99.52</b>		S/N 101692631001 ▶
Page <b>1 / 1</b>	<b>Control Valve</b>	
<b>BOMAG</b> FAYAT GROUP		EA003122_000_00



BPR 70/70 D		
S/N 101692631001 ▶		<b>99.52</b>
Control Valve		Page 1 / 1
	EA003122 1001 E	

**Pos. Part no. Qty. Description**

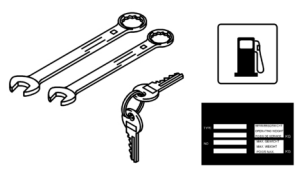
0	05887793	1	Control valve
1	05877149	1	>Kit,seal
2	05877126	2	>Valve tappet
3	69110126	1	>Cam
4	69110228	1	>Cam

Go to Discount-Equipment.com to order your parts



Go to Discount-Equipment.com to order your parts

**Accessories**



**100**

**100.00**

Accessories


Page /



101.03



69200063\_100\_00

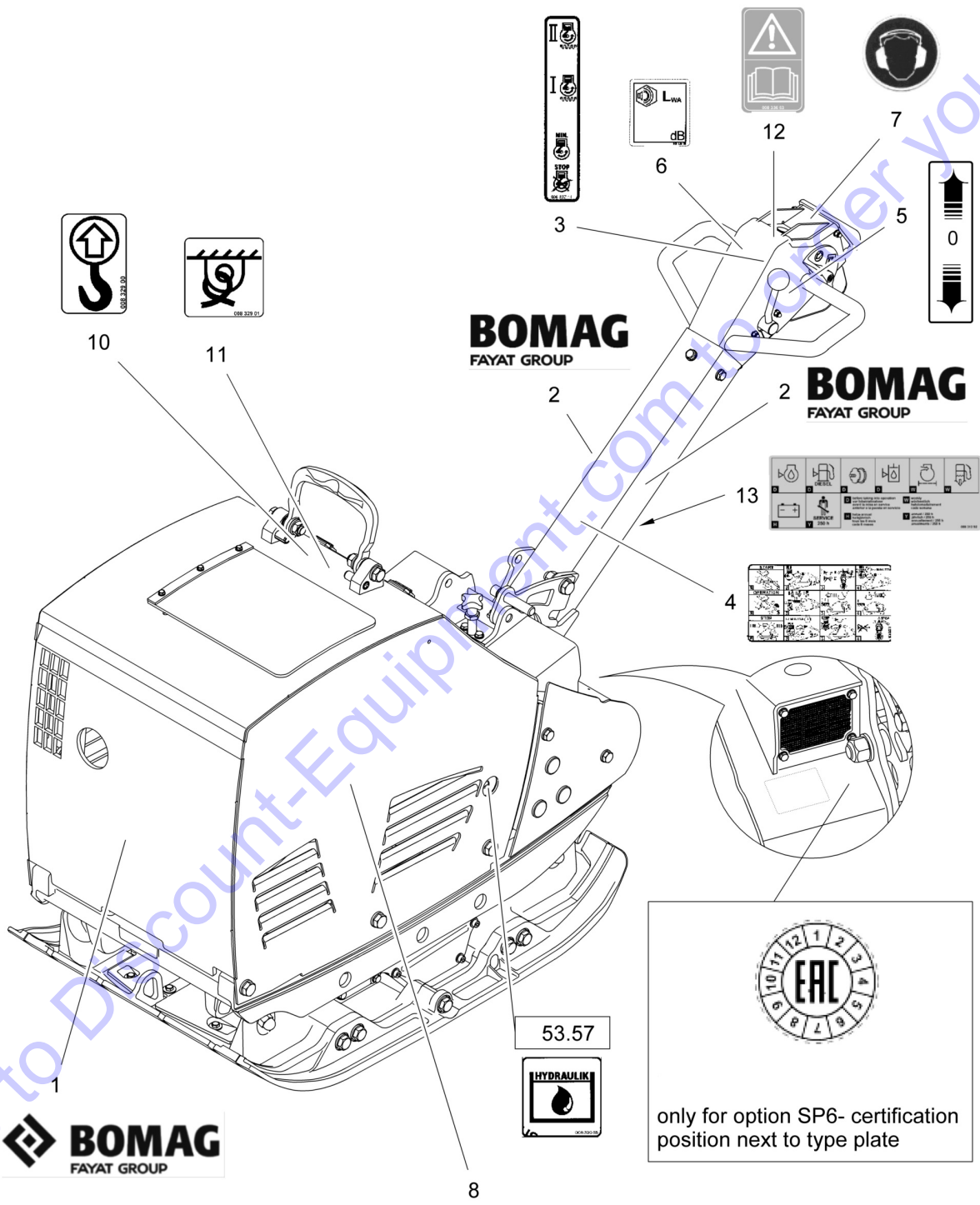
<b>Accessories</b>	<b>100.00</b>
	Page /
	

**Pos. Description**

101.03 Decals

Go to Discount-Equipment.com to order your parts


	BPR 70/70 D	S/N 101692635463 ▶
<b>101.03</b>	<b>Decals</b>	
Page <b>1 / 2</b>		
<b>BOMAG</b> FAYAT GROUP	69080063_000_03	



**BPR 70/70 D III**

**EAC**

only for option SP6- certification position next to type plate

BPR 70/70 D		
S/N 101692635463 ▶		
<b>Decals</b>		<b>101.03</b>
		Page <b>1 / 2</b>
	69080063 1001 1	

Pos.	Part no.	Qty.	Description	Designation
1	00831923	1	Decal	
2	00831902	2	Decal	
3	00832744	1	Decal,operation	
4	00832748	1	Decal,operation	
5	00830085	2	Decal,operation	
6	00832655	1	Decal,indication	
7	00832046	1	Decal,indication	
8	00833270	2	Type designation	
10	00832900	1	Decal,indication	
11	00832901	1	Decal,indication	
12	00833653	1	Decal,indication	
13	00831292	1	Decal,maintenance instr.	

Go to Discount-Equipment.com to order your parts

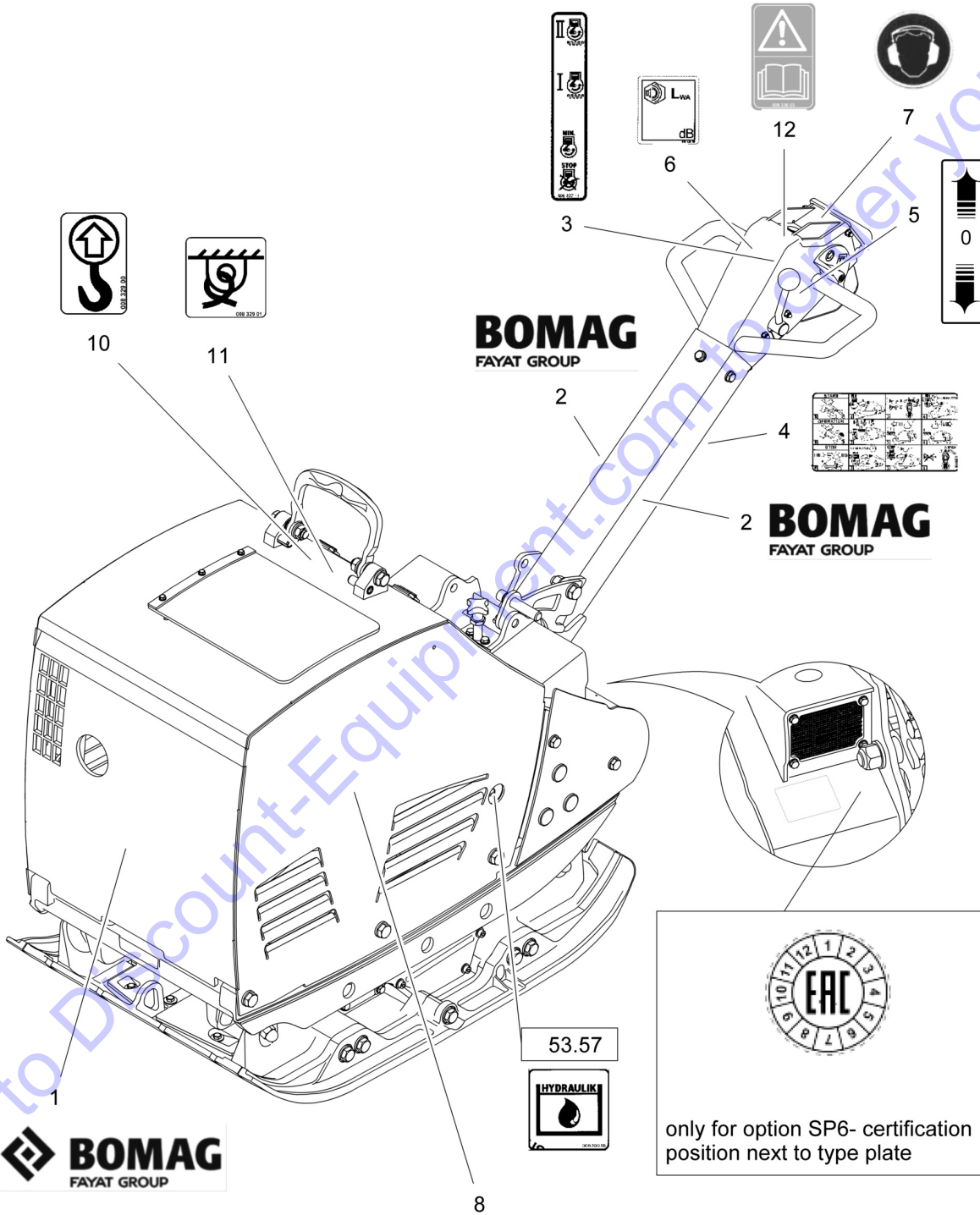
101.03

Decals


Page 1 / 2



69080063\_001\_01




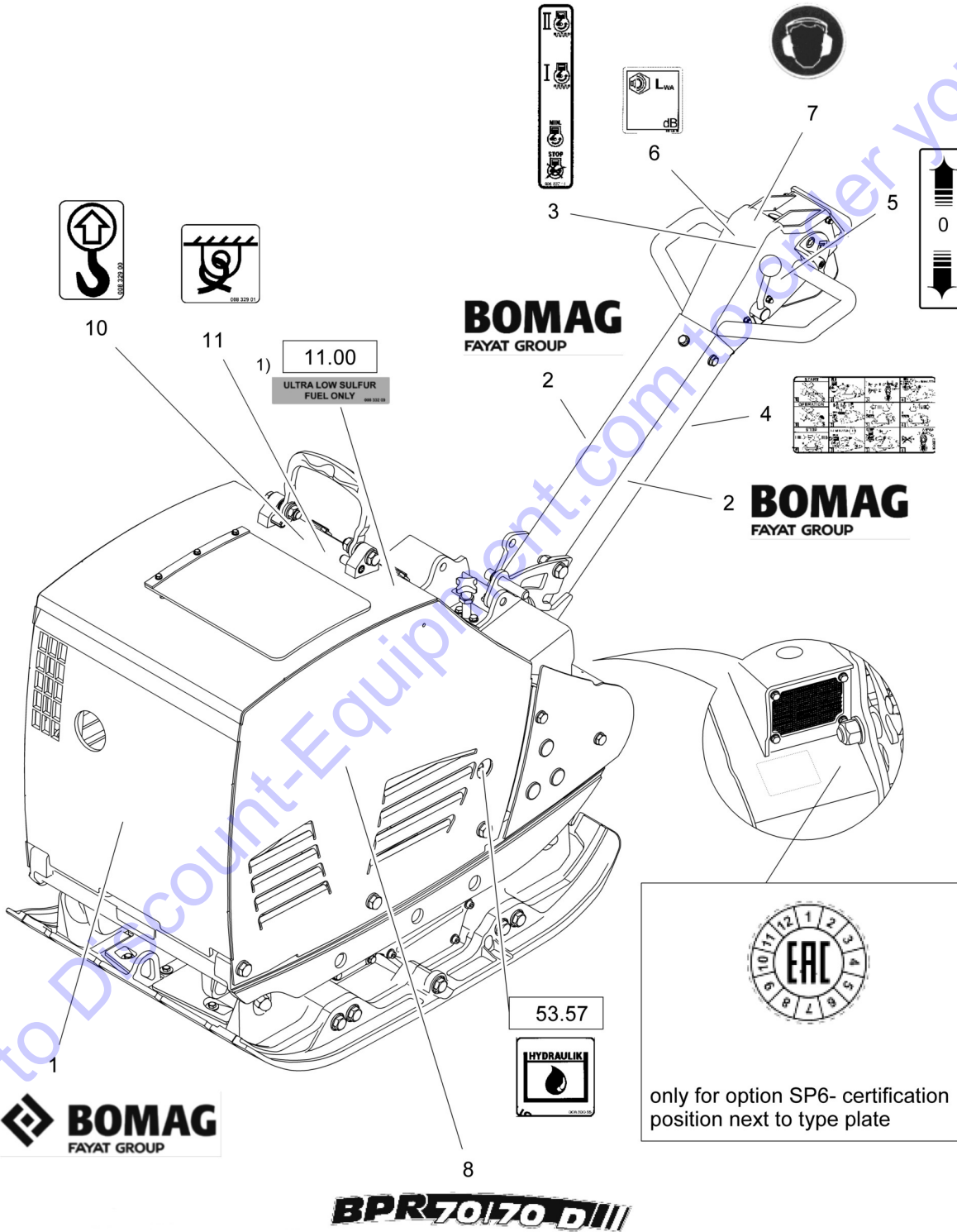
**BPR 70/70 D III**

BPR 70/70 D		
S/N 101692634298 ▶ S/N 101692635462		
<b>Decals</b>		<b>101.03</b>
		Page <b>1 / 2</b>
	69080063 1001 1	

Pos.	Part no.	Qty.	Description
1	00831923	1	Decal
2	00831902	2	Decal
3	00832744	1	Decal,operation
4	00832748	1	Decal,operation
5	00830085	2	Decal,operation
6	00832655	1	Decal,indication
7	00832046	1	Decal,indication
8	00833270	2	Type designation
10	00832900	1	Decal,indication
11	00832901	1	Decal,indication
12	00833653	1	Decal,indication


Go to Discount-Equipment.com to order your parts

	BPR 70/70 D	S/N 101692634172 ▶ S/N 101692634297
<b>101.03</b>	<b>Decals</b>	
Page <b>1 / 2</b>		
 <b>BOMAG</b> FAYAT GROUP		69080063_001_00




1) Assembly instruction  
Contain in delivery handling of the engine

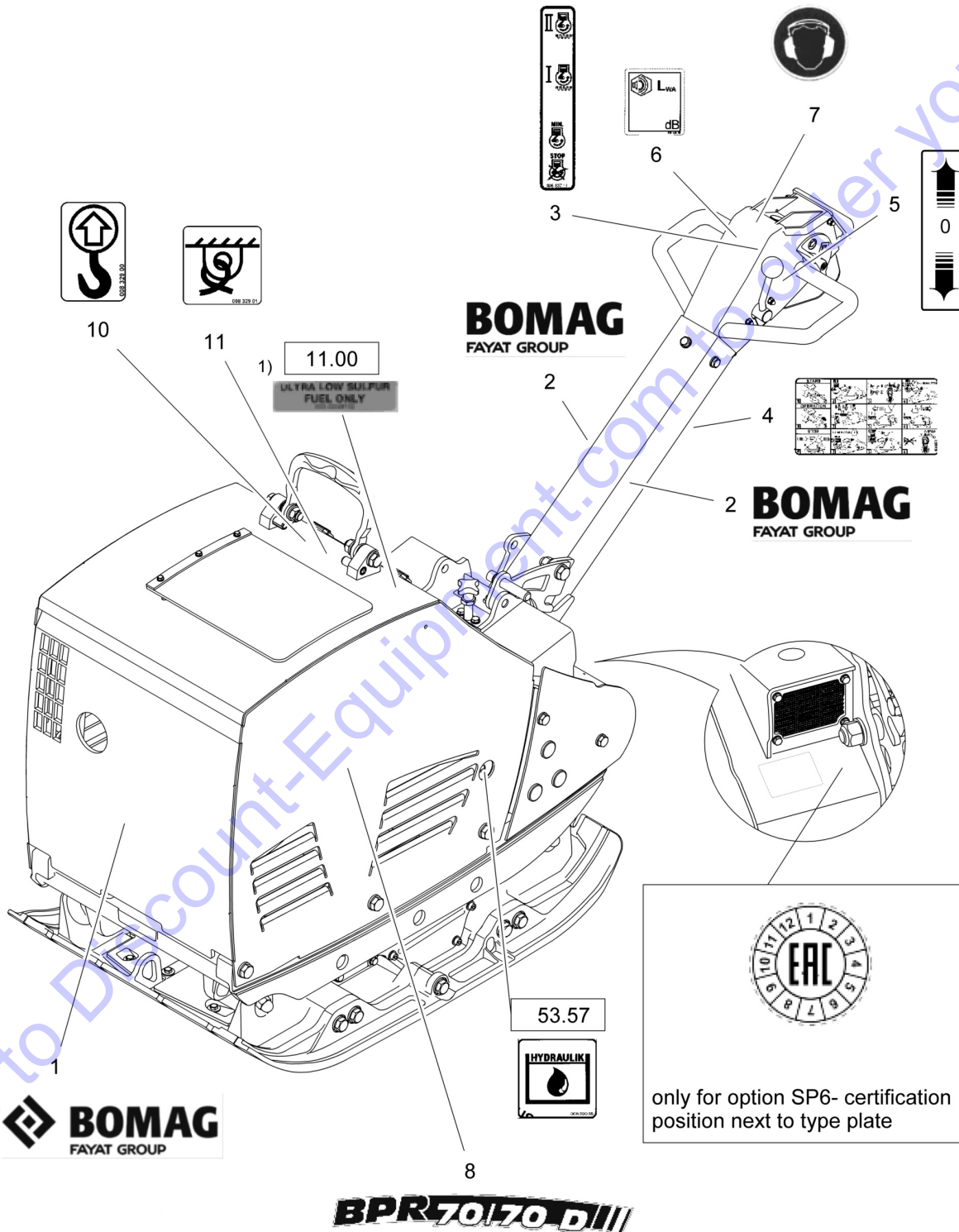


BPR 70/70 D		
S/N 101692634172 ▶ S/N 101692634297		
<b>Decals</b>		<b>101.03</b>
		Page <b>1 / 2</b>
	69080063 1001 1	


Pos.	Part no.	Qty.	Description
1	00831923	1	Decal
2	00831902	2	Decal
3	00832744	1	Decal,operation
4	00832748	1	Decal,operation
5	00830085	2	Decal,operation
6	00832655	1	Decal,indication
7	00832046	1	Decal,indication
8	00833270	2	Type designation
10	00832900	1	Decal,indication
11	00832901	1	Decal,indication

Go to Discount-Equipment.com to order your parts

	BPR 70/70 D	S/N 101692632886 ▶ S/N 101692634171
<b>101.03</b>	<b>Decals</b>	
Page <b>1 / 2</b>		
		69080063_000_02




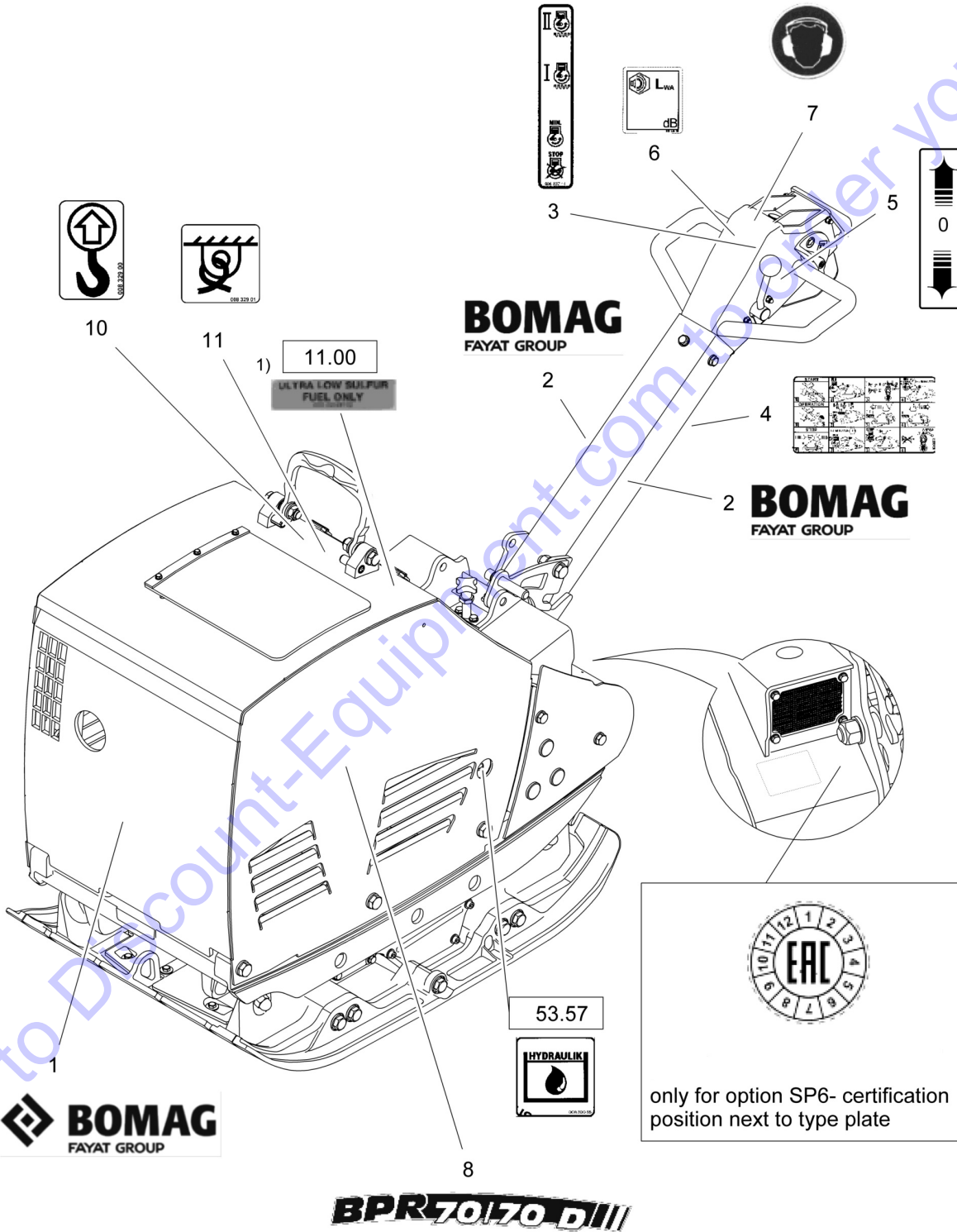
1) Assembly instruction  
Contain in delivery handling of the engine

BPR 70/70 D		
S/N 101692632886 ▶ S/N 101692634171		
<b>Decals</b>		<b>101.03</b>
		Page <b>1 / 2</b>
	69080063 1001 1	


Pos.	Part no.	Qty.	Description
1	00831923	1	Decal
2	00831902	2	Decal
3	00832744	1	Decal,operation
4	00832748	1	Decal,operation
5	00830085	2	Decal,operation
6	00832655	1	Decal,indication
7	00832046	1	Decal,indication
8	00833270	2	Type designation
10	00832900	1	Decal,indication
11	00832901	1	Decal,indication

Go to Discount-Equipment.com to order your parts

	BPR 70/70 D	S/N 101692632857 ▶ S/N 101692632885
<b>101.03</b>	<b>Decals</b>	
Page <b>1 / 2</b>		
 <b>BOMAG</b> FAYAT GROUP		69080063_000_02



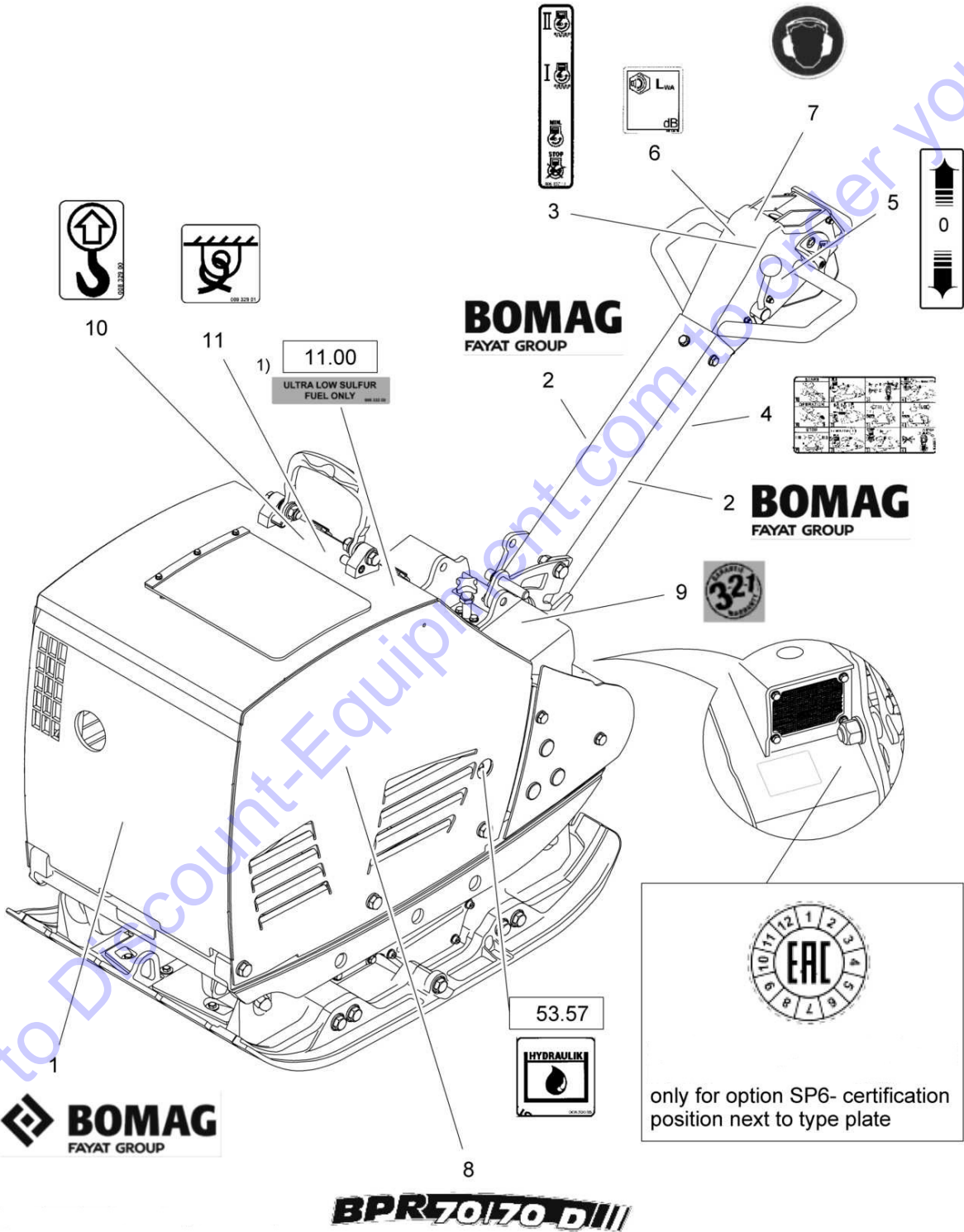
1) Assembly instruction  
Contain in delivery handling of the engine

BPR 70/70 D		
S/N 101692632857 ▶ S/N 101692632885		
<b>Decals</b>		<b>101.03</b>
		Page <b>1 / 2</b>
	69080063 1001 1	


Pos.	Part no.	Qty.	Description
1	00831923	1	Decal
2	00831902	2	Decal
3	00832744	1	Decal,operation
4	00832748	1	Decal,operation
5	00830085	2	Decal,operation
6	00832655	1	Decal,indication
7	00832046	1	Decal,indication
8	00833270	2	Type designation
9	00832996	1	Label
10	00832900	1	Decal,indication
11	00832901	1	Decal,indication

Go to Discount-Equipment.com to order your parts

	BPR 70/70 D	S/N 101692632670 ▶ S/N 101692632856
<b>101.03</b>	<b>Decals</b>	
Page <b>1 / 2</b>		
<b>BOMAG</b> FAYAT GROUP		69080063_000_01



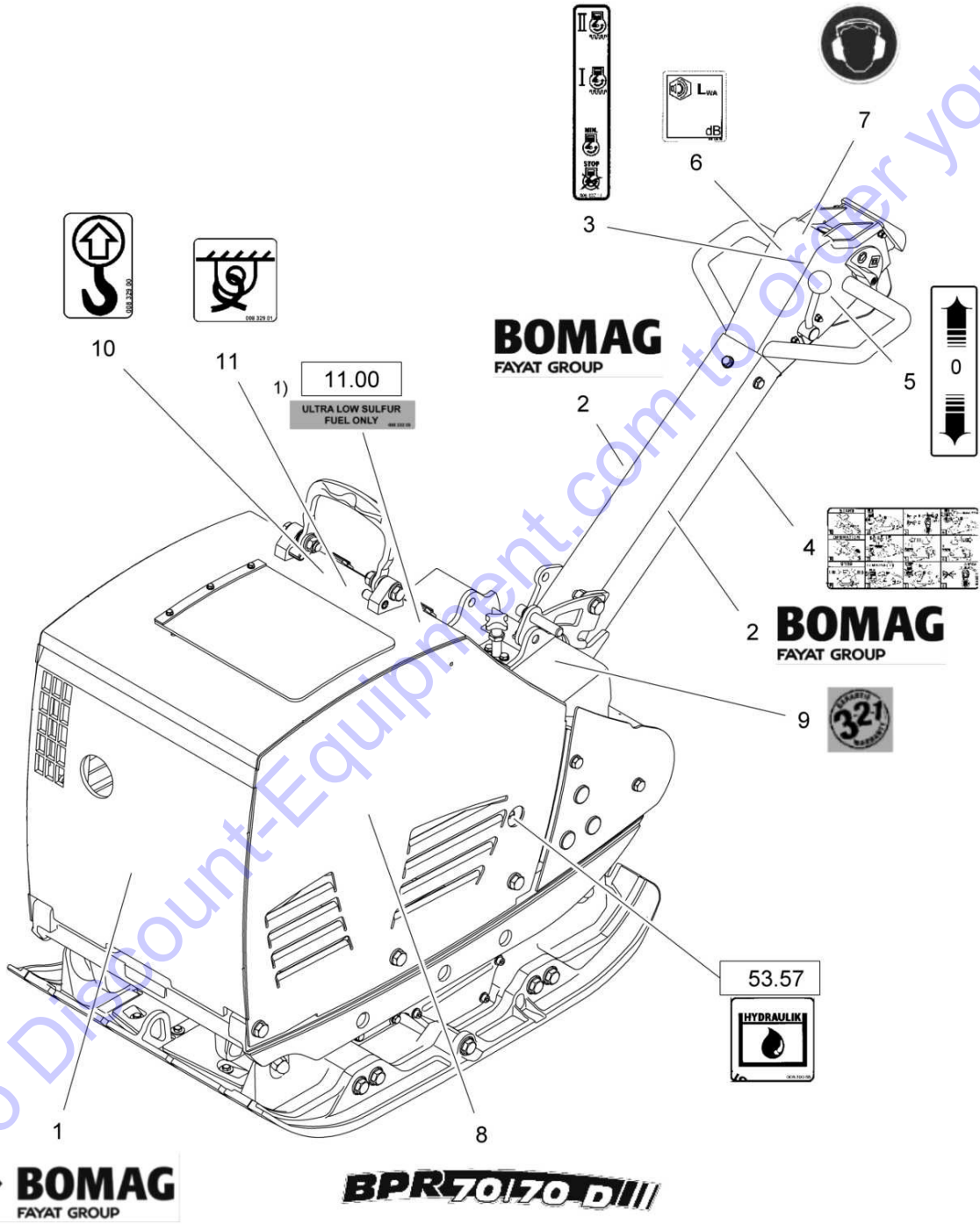
1) Assembly instruction  
Contain in delivery handling of the engine

BPR 70/70 D		
S/N 101692632670 ▶ S/N 101692632856		
<b>Decals</b>		<b>101.03</b>
		Page <b>1 / 2</b>
	69080063 1001 1	

Pos.	Part no.	Qty.	Description
1	00831923	1	Decal
2	00831902	2	Decal
3	00832744	1	Decal,operation
4	00832748	1	Decal,operation
5	00830085	2	Decal,operation
6	00832655	1	Decal,indication
7	00832046	1	Decal,indication
8	00833270	2	Type designation
9	00832996	1	Label
10	00832900	1	Decal,indication
11	00832901	1	Decal,indication


Go to Discount-Equipment.com to order your parts

	BPR 70/70 D	S/N 101692632015 ▶ S/N 101692632669
<b>101.03</b>	Decals	
Page <b>1 / 2</b>		
<b>BOMAG</b> FAYAT GROUP	69080063_000_00	



1) Assembly instruction  
Contain in delivery handling of the engine

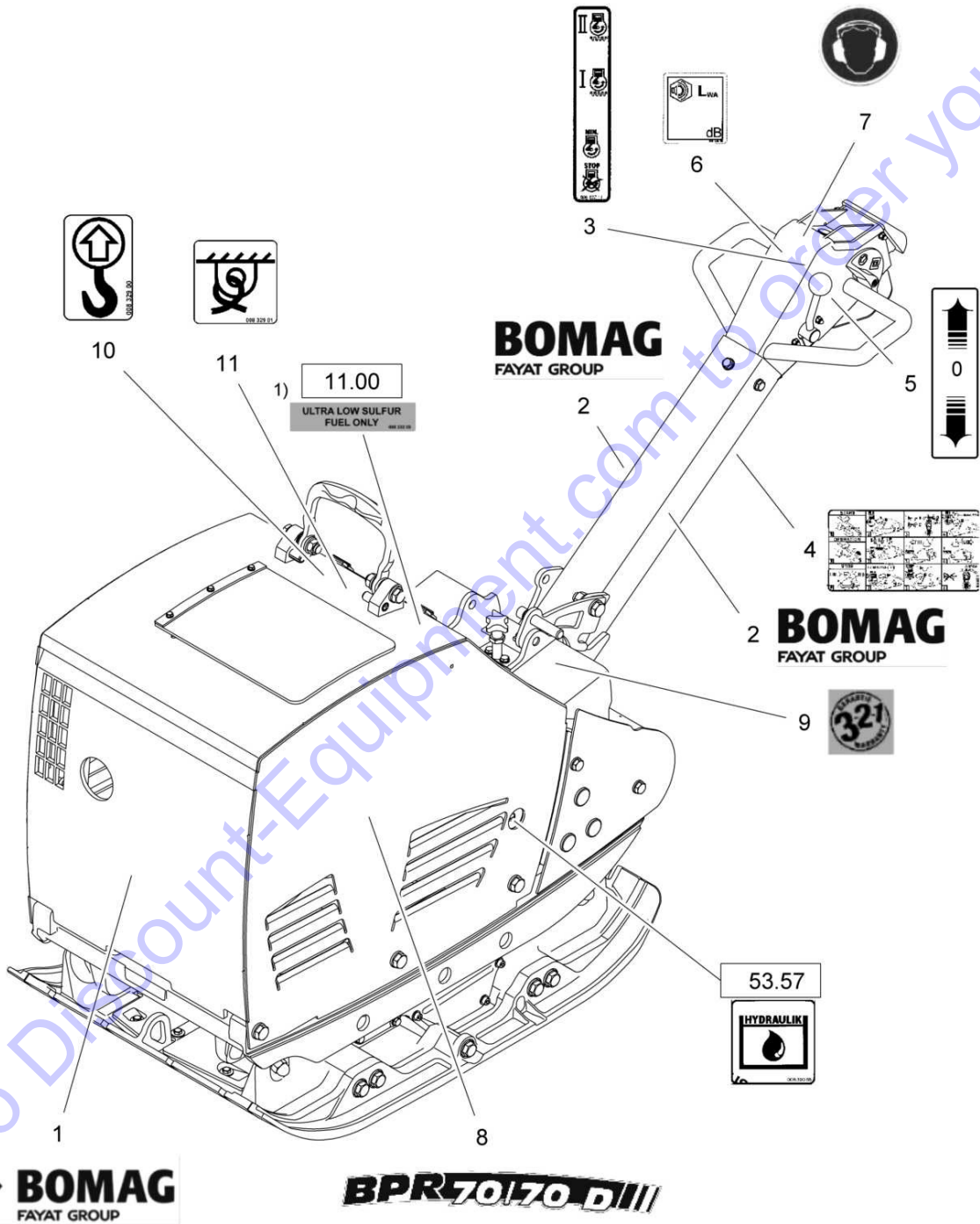


BPR 70/70 D		
S/N 101692632015 ▶ S/N 101692632669		
<b>Decals</b>		<b>101.03</b>
		Page <b>1 / 2</b>
	69080063 1001 1	


Pos.	Part no.	Qty.	Description
1	00831923	1	Decal
2	00831902	2	Decal
3	00832744	1	Decal,operation
4	00832748	1	Decal,operation
5	00830085	2	Decal,operation
6	00832655	1	Decal,indication
7	00832046	1	Decal,indication
8	00833270	2	Type designation
9	00832996	1	Label
10	00832900	1	Decal,indication
11	00832901	1	Decal,indication

Go to Discount-Equipment.com to order your parts

	BPR 70/70 D	S/N 101692631001 ▶ S/N 101692632014
<b>101.03</b>	Decals	
Page <b>1 / 2</b>		
<b>BOMAG</b> FAYAT GROUP	69080063_000_00	



1) Assembly instruction  
Contain in delivery handling of the engine

BPR 70/70 D		
S/N 101692631001 ▶ S/N 101692632014		
<b>Decals</b>		<b>101.03</b>
		Page <b>1 / 2</b>
	69080063 1001 1	

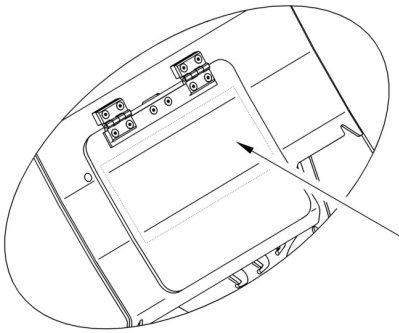
Pos.	Part no.	Qty.	Description
1	00833214	1	Label
2	00831902	2	Decal
3	00832744	1	Decal,operation
4	00832748	1	Decal,operation
5	00830085	2	Decal,operation
6	00832655	1	Decal,indication
7	00832046	1	Decal,indication
8	00833270	2	Type designation
9	00832996	1	Label
10	00832900	1	Decal,indication
11	00832901	1	Decal,indication

Go to Discount-Equipment.com to order your parts

	BPR 70/70 D	S/N 101692634172 ▶ S/N 101692635462
<b>101.03</b>	<b>Decals</b>	
Page <b>2 / 2</b>		
<b>BOMAG</b> FAYAT GROUP		69080063_002_00

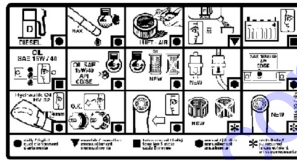
Z

turned around 90°



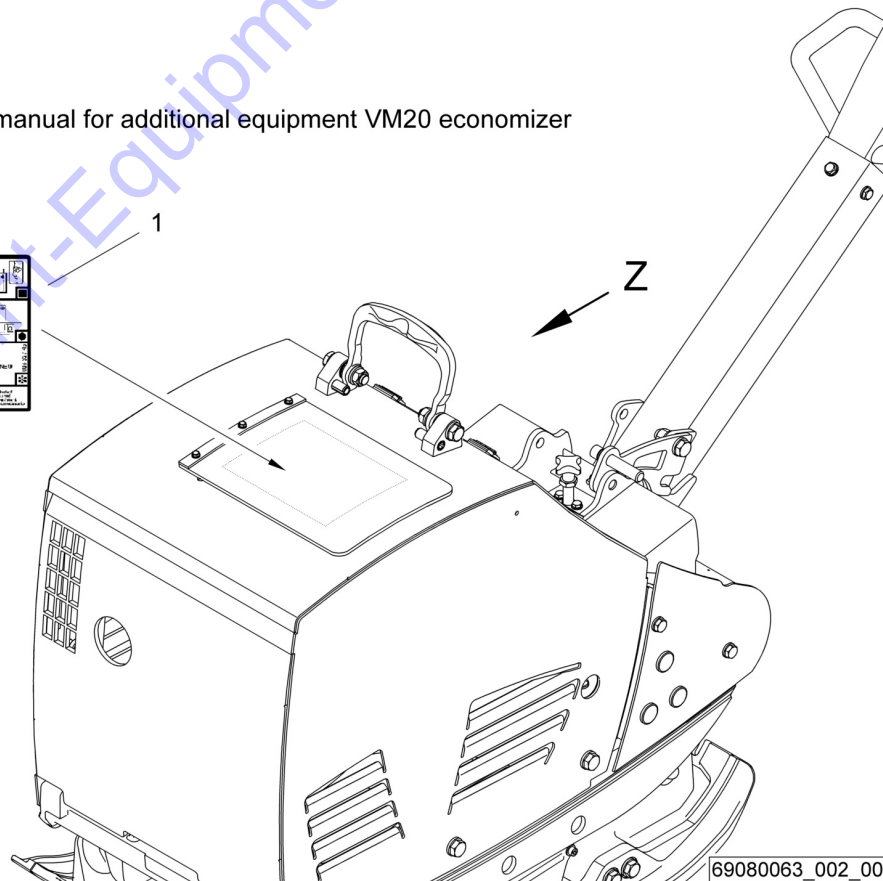
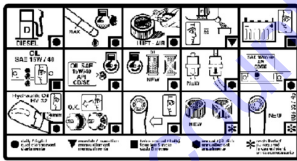
Position maintenance instructions for standard machine


glued on inside!



Position maintenance manual for additional equipment VM20 economizer

glued on inside!



BPR 70/70 D		
S/N 101692634172 ▶ S/N 101692635462		
Decals		<b>101.03</b>
		Page <b>2 / 2</b>
	69080063 1001 1	

Pos.	Part no.	Qty.	Description
1	00831247	1	Decal,maintenance instr.

Go to Discount-Equipment.com to order your parts

Go to Discount-Equipment.com to order your parts

**Special Equipment**

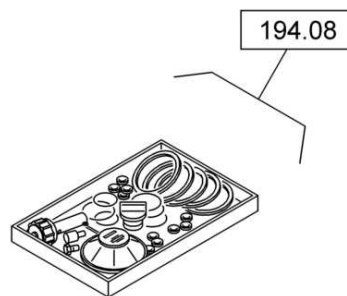
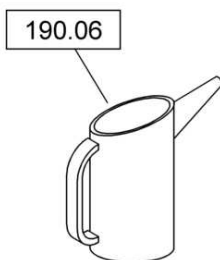
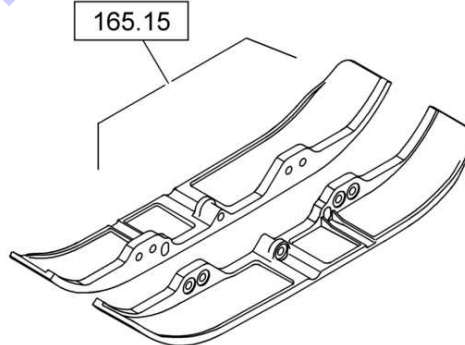
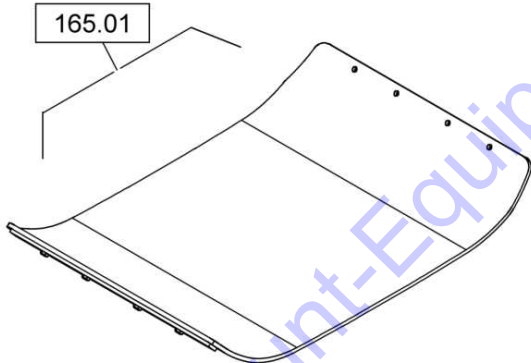
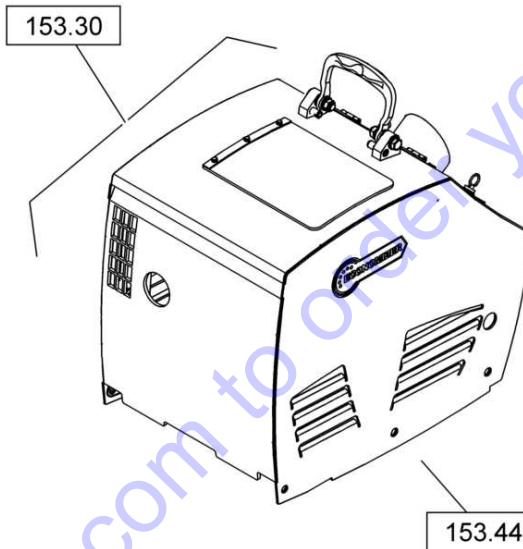
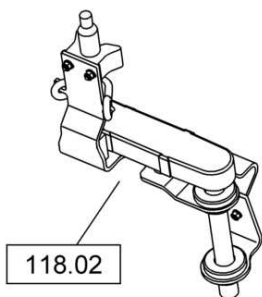
***Option***

**110**

110.00

Special Equipment

Page /



**Special Equipment**

**110.00**

Page /



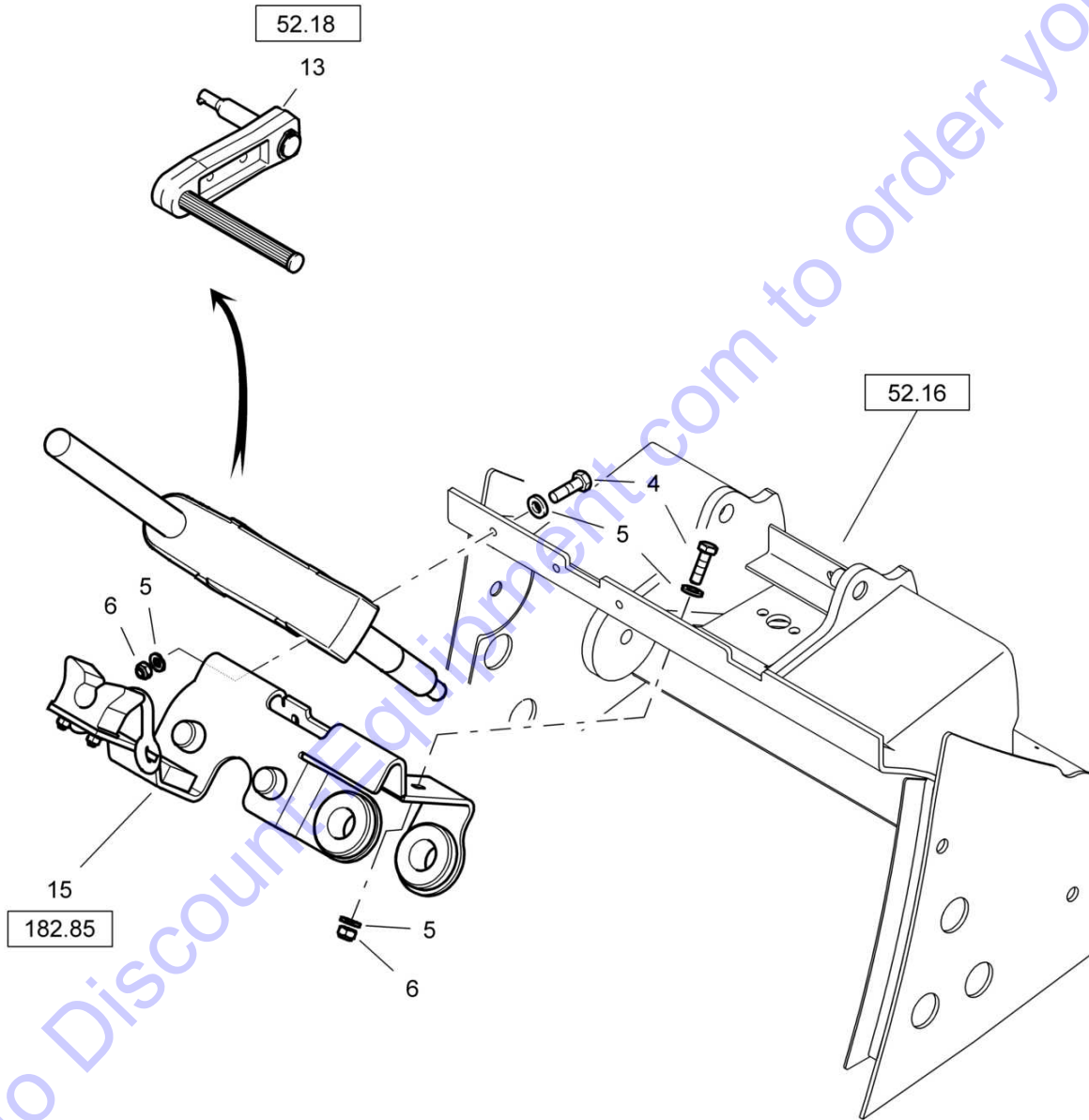
**Pos. Description**


- 118.02 C6-Safety crank handle
- 153.30 VM20-ECONOMIZER
- 153.44 Hood, assembled
- 165.01 X5-Synthetic plate
- 165.01 X5-Synthetic plate
- 165.15 X19-Attachment plate 2x150mm
- 182.85 Holder, assembled
- 190.06 HY2-Bio hydraulic oil
- 194.08 SW10-Service kit
- 194.08 SW10-Service kit

Go to Discount-Equipment.com to order your parts



	BPR 70/70 D	
<b>118.02</b>		S/N 101692631602 ▶
	<b>C6-Safety crank handle</b>	
Page <b>1 / 1</b>		
<b>BOMAG</b> FAYAT GROUP	69200330_000_02	



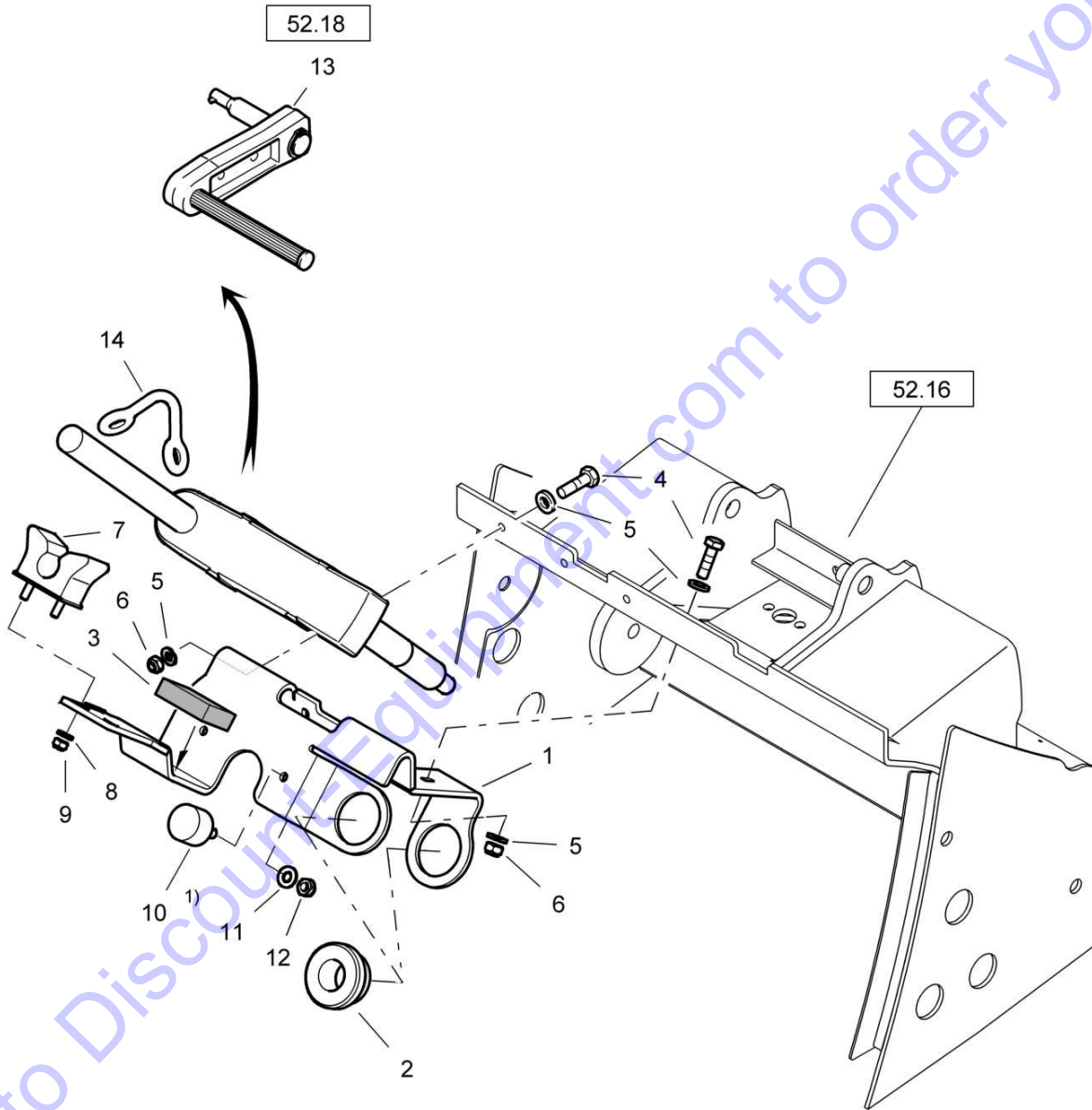
BPR 70/70 D		
S/N 101692631602 ▶		
C6-Safety crank handle		<b>118.02</b>
		Page <b>1 / 1</b>
		 <b>BOMAG</b> FAYAT GROUP
		69200330 1001 1


Pos.	Part no.	Qty.	Description
4	07140633	4	Hexagon bolt
5	08510612	8	Washer
6	08130611	4	Safety nut
13	05030012	1	Safety crank handle, assembled
15	69060483	1	Holder,assembled

Go to Discount-Equipment.com to order your parts

	BPR 70/70 D	S/N 101692631001 ▶ S/N 101692631601
<b>118.02</b>	<b>C6-Safety crank handle</b>	
Page <b>1 / 1</b>		
<b>BOMAG</b> FAYAT GROUP	69200330_000_01	

1) Tightening torque 15 Nm

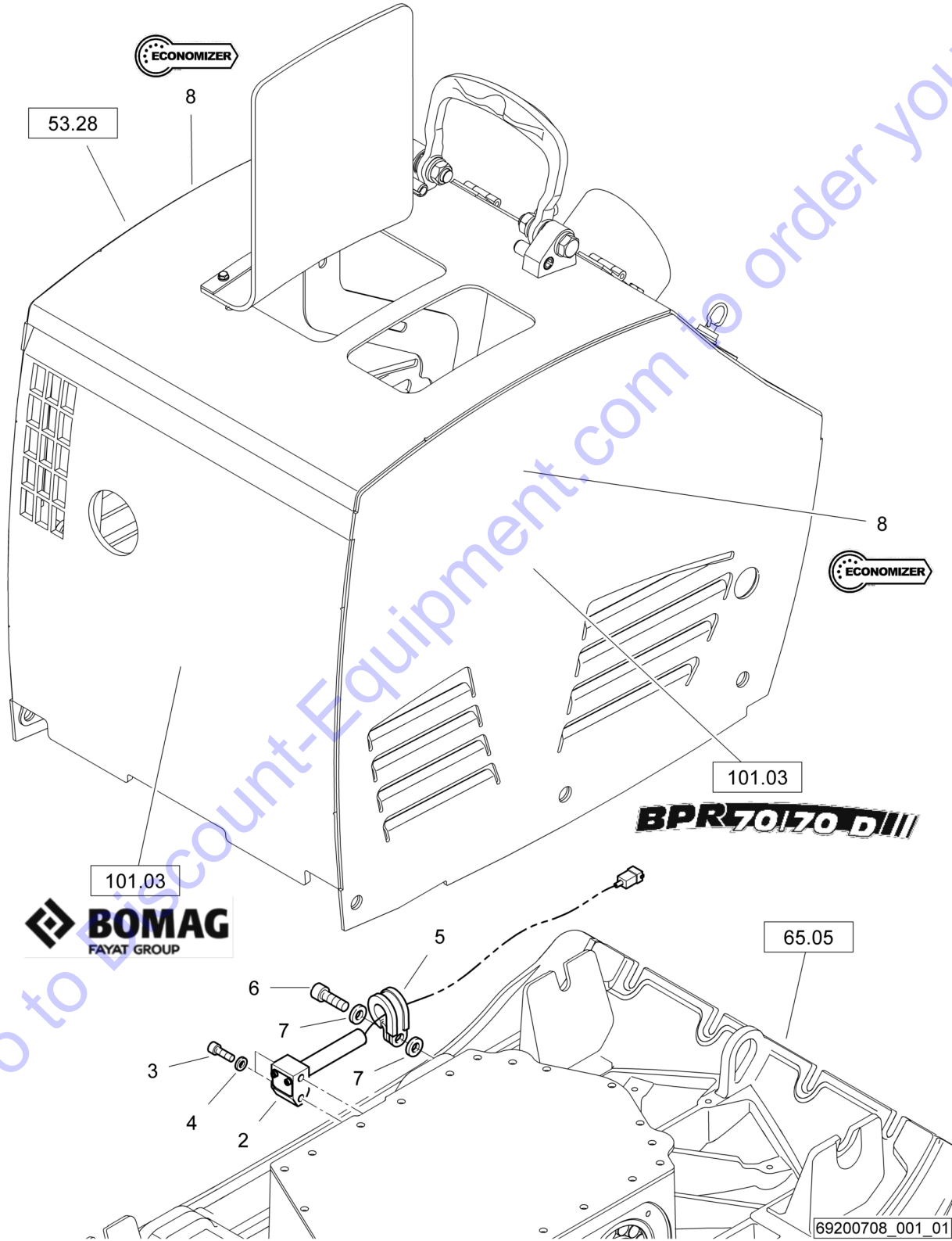



BPR 70/70 D	
S/N 101692631001 ▶ S/N 101692631601	
<b>C6-Safety crank handle</b>	<b>118.02</b>
	Page 1 / 1
	
69200330 1001 1	

Pos.	Part no.	Qty.	Description
1	69060424	1	Crank handle bracket
2	67030113	2	Grommet
3	00652073	0,55 dm	Expanded rubber
4	07140633	4	Hexagon bolt
5	08510612	8	Washer
6	08130611	4	Safety nut
7	01481303	1	Crank handle clamp
8	08510612	2	Washer
9	08130611	2	Safety nut
10	06141585	2	Stop buffer
11	08510612	2	Washer
12	08130611	2	Safety nut
13	05030012	1	Safety crank handle, assembled
14	32041002	1	Battery holder

Go to Discount-Equipment.com to order your parts

	BPR 70/70 D	S/N 101692634172 ▶
<b>153.30</b>	<b>VM20-ECONOMIZER</b>	
Page <b>1 / 2</b>		
<b>BOMAG</b> FAYAT GROUP	69200708_001_01	

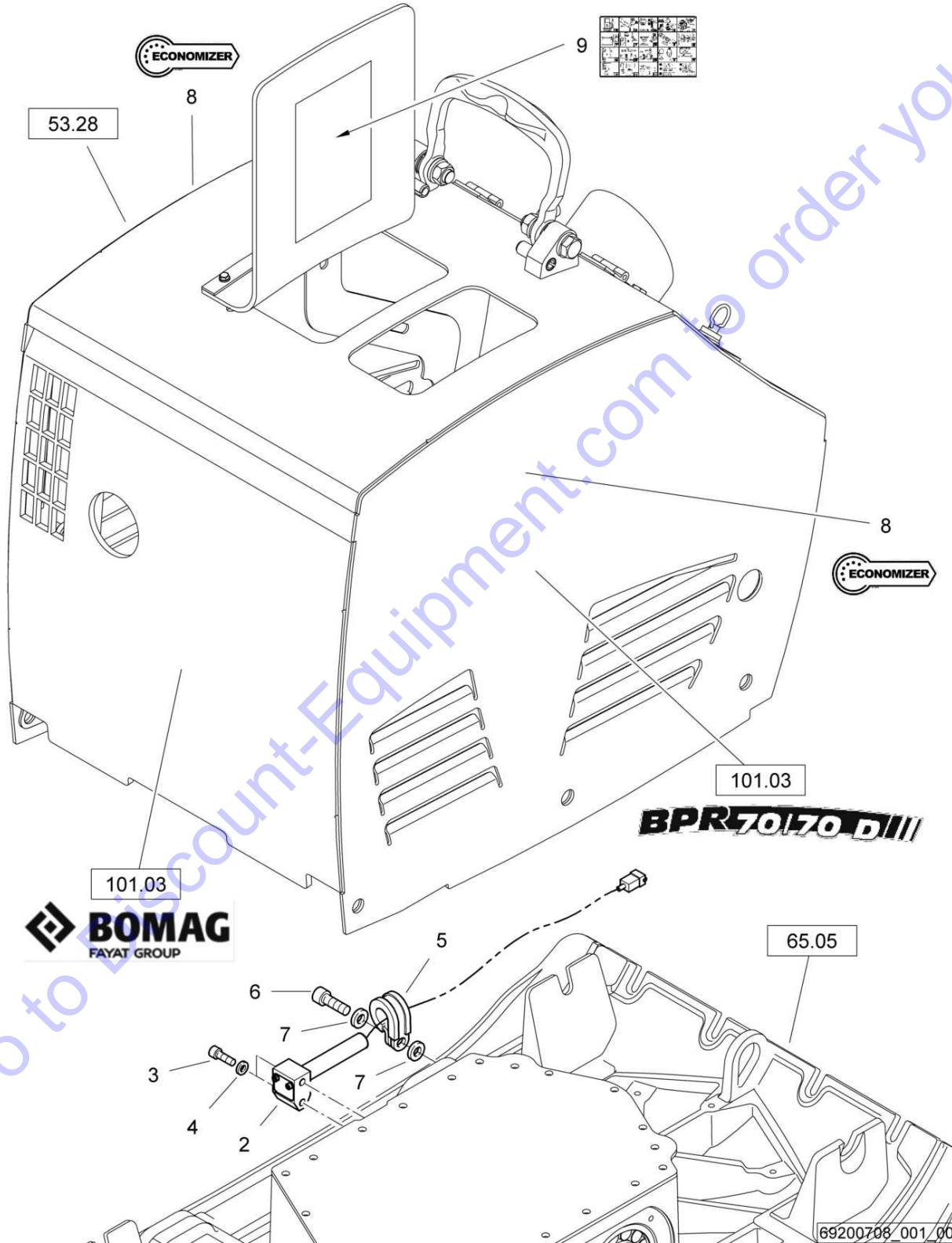



BPR 70/70 D	
S/N 101692634172 ▶	
<b>VM20-ECONOMIZER</b>	<b>153.30</b>
	Page 1 / 2
69200708 1001 1	

Pos.	Part no.	Qty.	Description
2	05766971	1	Transducer unit
3	07230838	2	Socket-head cap screw
4	08510817	2	Washer
5	05551908	1	Tube clamp
6	07230827	1	Socket-head cap screw
7	08510817	2	Washer
8	00833271	2	Decal,indication

Go to Discount-Equipment.com to order your parts

	BPR 70/70 D	S/N 101692633529 ▶ S/N 101692634171
<b>153.30</b>	<b>VM20-ECONOMIZER</b>	
Page <b>1 / 2</b>		
<b>BOMAG</b> FAYAT GROUP		69200708_001_00



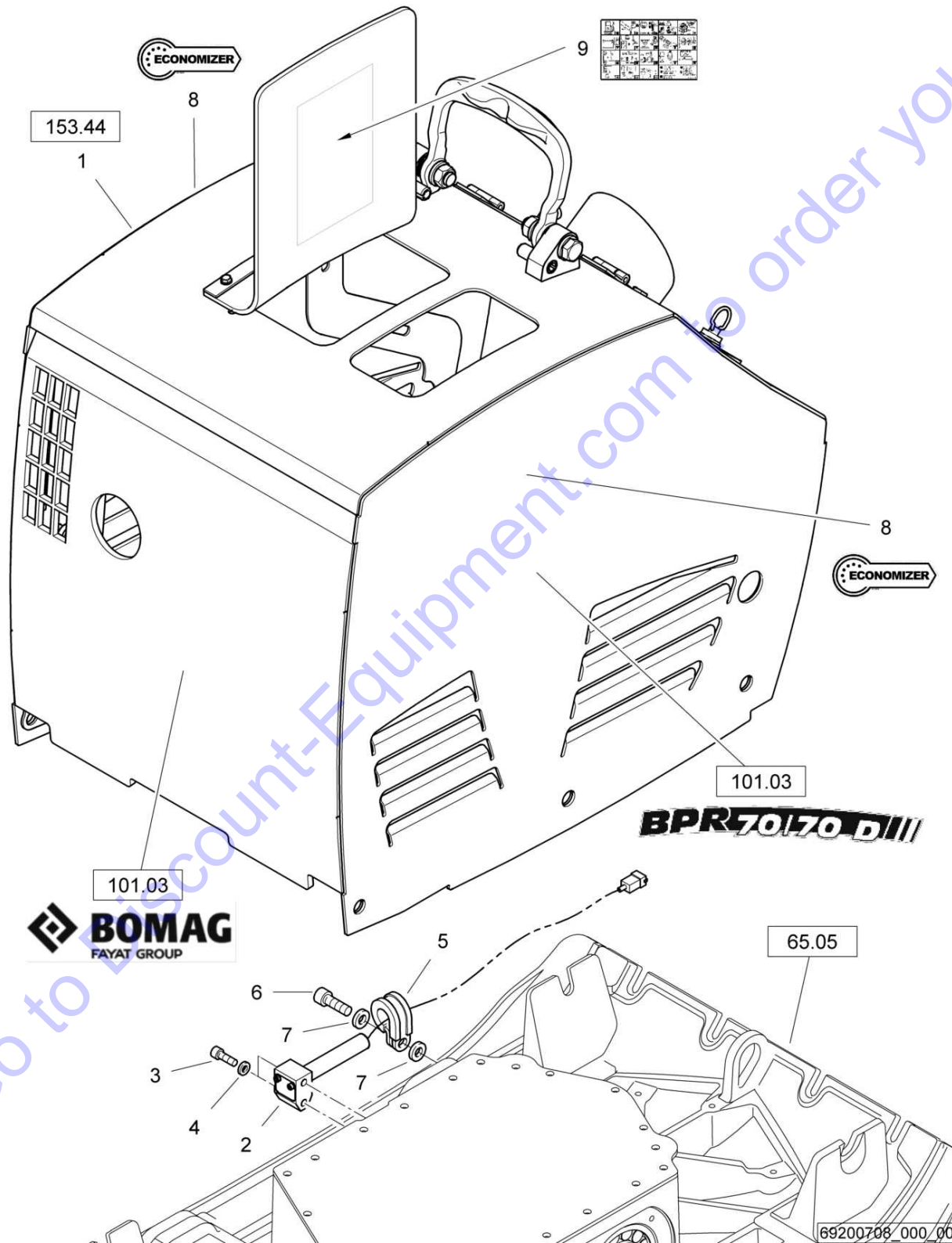
BPR 70/70 D	
S/N 101692633529 ▶ S/N 101692634171	
<b>VM20-ECONOMIZER</b>	<b>153.30</b>
	Page 1 / 2
69200708 1001 1	


Pos.	Part no.	Qty.	Description
2	05766971	1	Transducer unit
3	07230838	2	Socket-head cap screw
4	08510817	2	Washer
5	05551908	1	Tube clamp
6	07230827	1	Socket-head cap screw
7	08510817	2	Washer
8	00833271	2	Decal,indication
9	00831247	1	Decal,maintenance instr.

Go to Discount-Equipment.com to order your parts



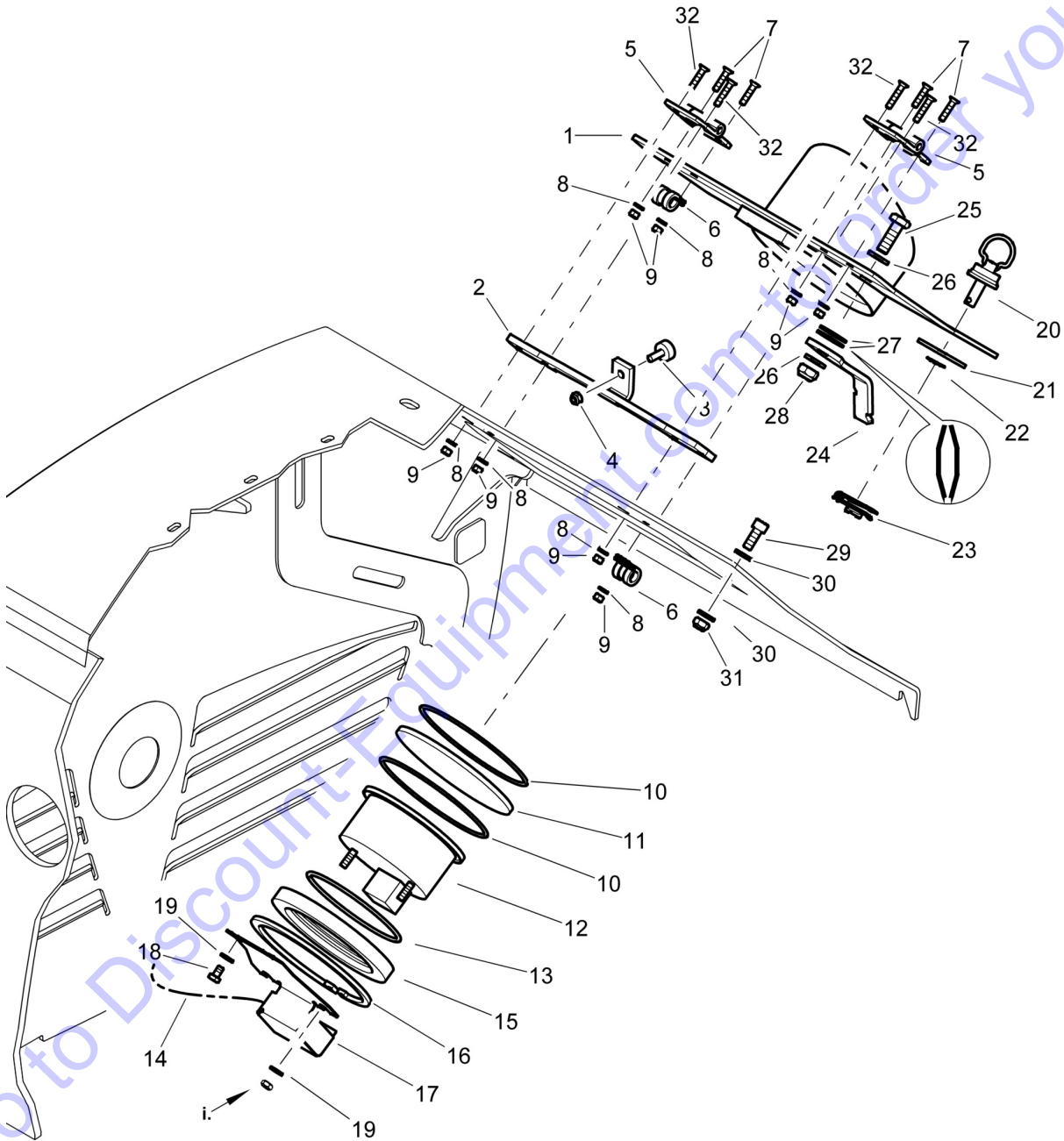
	BPR 70/70 D	S/N 101692631001 ▶ S/N 101692633528
<b>153.30</b>	<b>VM20-ECONOMIZER</b>	
Page <b>1 / 2</b>		
<b>BOMAG</b> FAYAT GROUP		69200708_000_00




BPR 70/70 D		
S/N 101692631001 ▶ S/N 101692633528		
<b>VM20-ECONOMIZER</b>		<b>153.30</b>
		Page 1 / 2
69200708 1001 1		

Pos.	Part no.	Qty.	Description
1	69203083	1	Hood, assembled
2	05766971	1	Transducer unit
3	07230838	2	Socket-head cap screw
4	08510817	2	Washer
5	05551908	1	Tube clamp
6	07230827	1	Socket-head cap screw
7	08510817	2	Washer
8	00833271	2	Decal,indication
9	00831247	1	Decal,maintenance instr.

Go to Discount-Equipment.com to order your parts



i = Tighten the knurled nut finger tight (max. 0,8 Nm)

BPR 70/70 D	
S/N 101692633529 ▶	
<b>VM20-ECONOMIZER</b>	<b>153.30</b>
	Page <b>2 / 2</b>
69200708 1001 1	

Pos.	Part no.	Qty.	Description
1	69203079	1	Flap
2	69203038	1	Stop
3	06140945	1	Stop buffer
4	08110620	1	Hexagon nut
5	05939174	2	Hinge
6	05551901	2	Tube clamp
7	07320518	4	Countersunk screw
8	08510511	8	Washer
9	08130508	8	Safety nut
10	06221143	2	Loop ring
11	69203026	1	Covering disc
12	69203022	1	Display
13	06221008	1	Loop ring
14	69203021	1	Wire harness
15	69203024	1	Spacer ring
16	09225319	1	Circlip,internal
17	69203020	1	Supporting angle
18	07140618	2	Hexagon bolt
19	08510612	4	Washer
20	05939247	2	Bow handle
21	69203033	2	Washer
22	05939246	2	Stop disc
23	05939248	2	Detend
24	69203039	1	Locking bar
25	07141030	1	Hexagon bolt
26	08511021	2	Washer
27	09290282	2	Belleville spring
28	08131016	1	Safety nut
29	07230613	1	Socket-head cap screw
30	08510612	2	Washer
31	08130611	1	Safety nut
32	07320523	4	Countersunk screw

Go to Discount-Equipment.com to order your parts

BPR 70/70 D

S/N 101692631350 ▶ S/N 101692633528

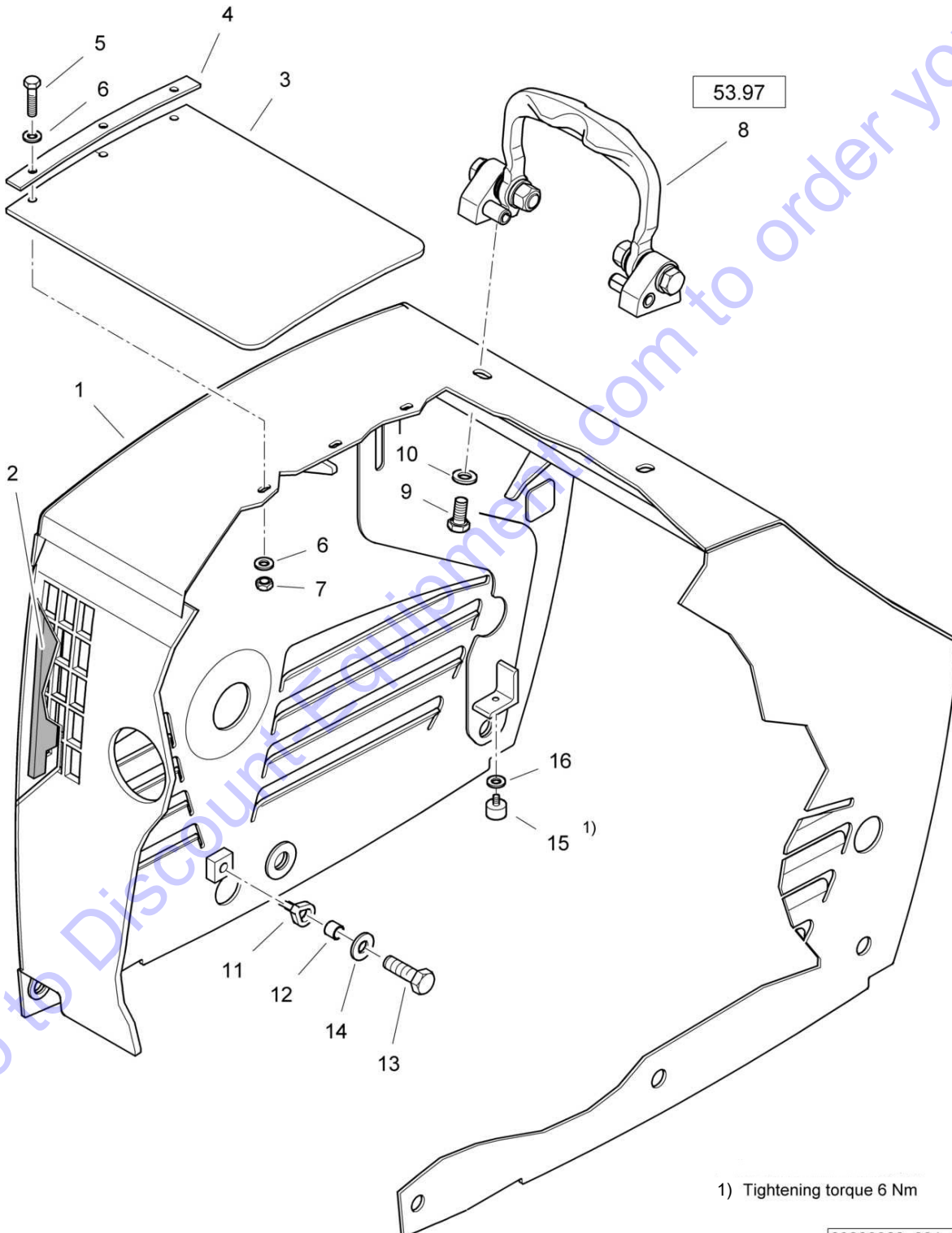
**153.44**

Hood, assembled

Page **1 / 2**




69203083\_001\_01



1) Tightening torque 6 Nm

69203083\_001\_01

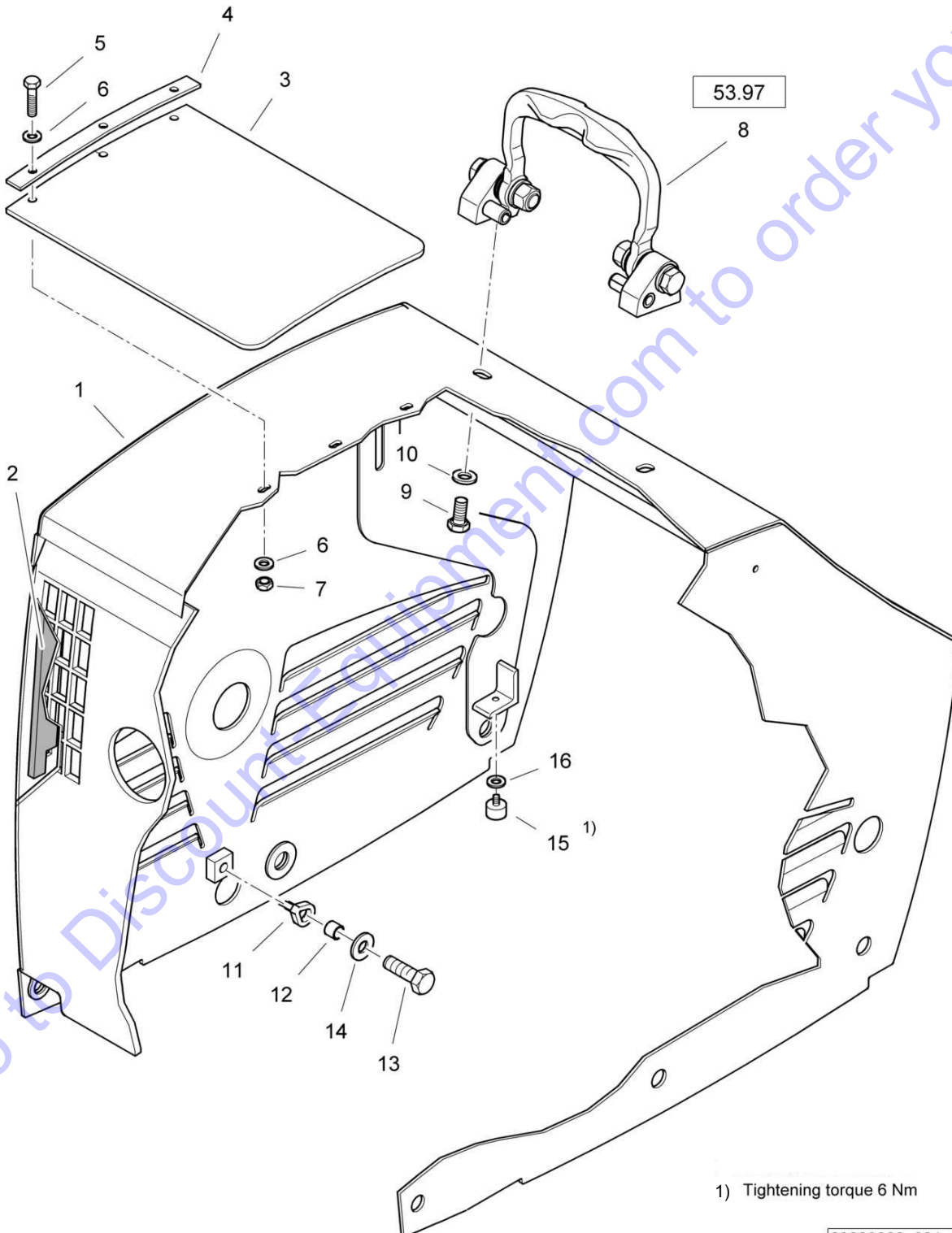
BPR 70/70 D		
S/N 101692631350 ▶ S/N 101692633528		
Hood, assembled		<b>153.44</b>
		Page 1 / 2
69203083 1001 1		

Pos.	Part no.	Qty.	Description
1	69121027	1	Hood
2	69120848	1	Expanded rubber
3	69120140	1	Cover plate
4	69120112	1	Strip steel
5	07140641	3	Hexagon bolt
6	08510612	6	Washer
7	08130611	3	Safety nut
8	69120833	1	Single-point suspens.,assembled
9	07141224	2	Hexagon bolt
10	08752130	2	Spring washer
11	69120127	1	Rope
12	70060114	1	Sleeve
13	07141224	1	Hexagon bolt
14	08752130	1	Spring washer
15	06140945	2	Stop buffer
16	08510612	2	Washer


Go to Discount-Equipment.com to order your parts

**153.44**

Hood, assembled



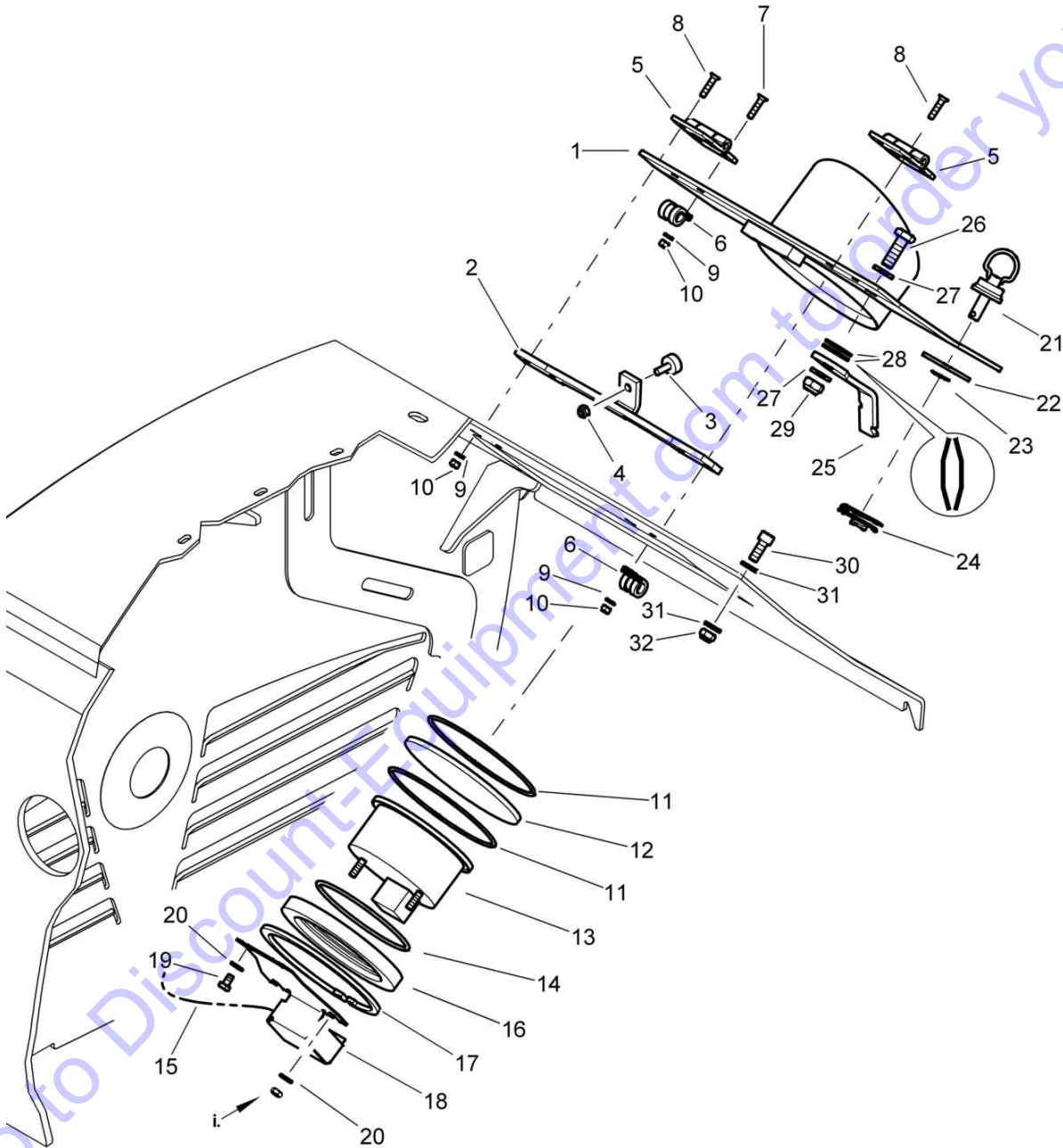
1) Tightening torque 6 Nm

BPR 70/70 D		
S/N 101692631001 ▶ S/N 101692631349		
Hood, assembled		<b>153.44</b>
		Page 1 / 2
69203083 1001 1		


Pos.	Part no.	Qty.	Description
1	69120874	1	Hood
2	69120848	1	Expanded rubber
3	69120140	1	Cover plate
4	69120112	1	Strip steel
5	07140641	3	Hexagon bolt
6	08510612	6	Washer
7	08130611	3	Safety nut
8	69120833	1	Single-point suspens.,assembled
9	07141224	2	Hexagon bolt
10	08752130	2	Spring washer
11	69120127	1	Rope
12	70060114	1	Sleeve
13	07141224	1	Hexagon bolt
14	08752130	1	Spring washer
15	06140945	2	Stop buffer
16	08510612	2	Washer

Go to Discount-Equipment.com to order your parts





i. = Tighten the knurled nut finger tight (max. 0,8 Nm)

BPR 70/70 D	
S/N 101692631350 ▶ S/N 101692633528	
Hood, assembled	<b>153.44</b>
	Page <b>2 / 2</b>
	
69203083 1001 1	

Pos.	Part no.	Qty.	Description
1	69203079	1	Flap
2	69203038	1	Stop
3	06140945	1	Stop buffer
4	08110620	1	Hexagon nut
5	05939174	2	Hinge
6	05551901	2	Tube clamp
7	07320518	4	Countersunk screw
8	07320523	4	Countersunk screw
9	08510511	8	Washer
10	08130508	8	Safety nut
11	06221143	2	Loop ring
12	69203026	1	Covering disc
13	69203022	1	Display
14	06221008	1	Loop ring
15	69203021	1	Wire harness
16	69203024	1	Spacer ring
17	09225319	1	Circlip,internal
18	69203020	1	Supporting angle
19	07140618	2	Hexagon bolt
20	08510612	4	Washer
21	05939247	2	Bow handle
22	69203033	2	Washer
23	05939246	2	Stop disc
24	05939248	2	Detend
25	69203039	1	Locking bar
26	07141030	1	Hexagon bolt
27	08511021	2	Washer
28	09290282	2	Belleville spring
29	08131016	1	Safety nut
30	07230613	1	Socket-head cap screw
31	08510612	2	Washer
32	08130611	1	Safety nut

Go to Discount-Equipment.com to order your parts

BPR 70/70 D

S/N 101692631001 ▶ S/N 101692631349

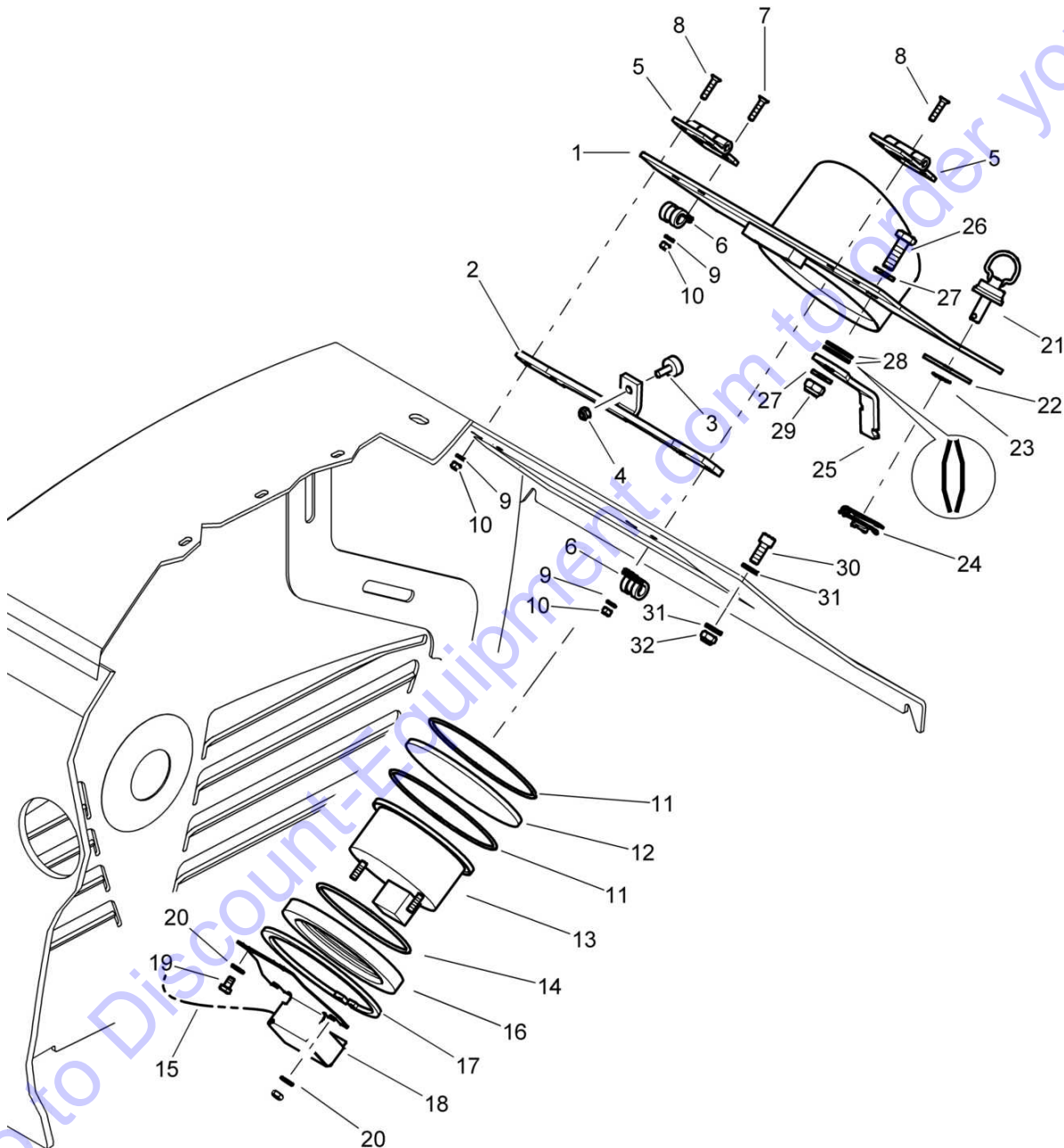
**153.44**

Hood, assembled


Page **2 / 2**



69203083\_002\_00



69203083\_002\_00

BPR 70/70 D	S/N 101692631001 ▶ S/N 101692631349	<b>153.44</b>
<b>Hood, assembled</b>		
		Page <b>2 / 2</b>
	69203083 1001 1	

Pos.	Part no.	Qty.	Description
1	69203079	1	Flap
2	69203038	1	Stop
3	06140945	1	Stop buffer
4	08110620	1	Hexagon nut
5	05939174	2	Hinge
6	05551901	2	Tube clamp
7	07320518	4	Countersunk screw
8	07320523	4	Countersunk screw
9	08510511	8	Washer
10	08130508	8	Safety nut
11	06221143	2	Loop ring
12	69203026	1	Covering disc
13	69203022	1	Display
14	06221008	1	Loop ring
15	69203021	1	Wire harness
16	69203024	1	Spacer ring
17	09225319	1	Circlip,internal
18	69203020	1	Supporting angle
19	07140618	2	Hexagon bolt
20	08510612	4	Washer
21	05939247	2	Bow handle
22	69203033	2	Washer
23	05939246	2	Stop disc
24	05939248	2	Detend
25	69203039	1	Locking bar
26	07141030	1	Hexagon bolt
27	08511021	2	Washer
28	09290282	2	Belleville spring
29	08131016	1	Safety nut
30	07230613	1	Socket-head cap screw
31	08510612	2	Washer
32	08130611	1	Safety nut

Go to Discount-Equipment.com to order your parts

BPR 70/70 D

S/N 101692632015 ▶

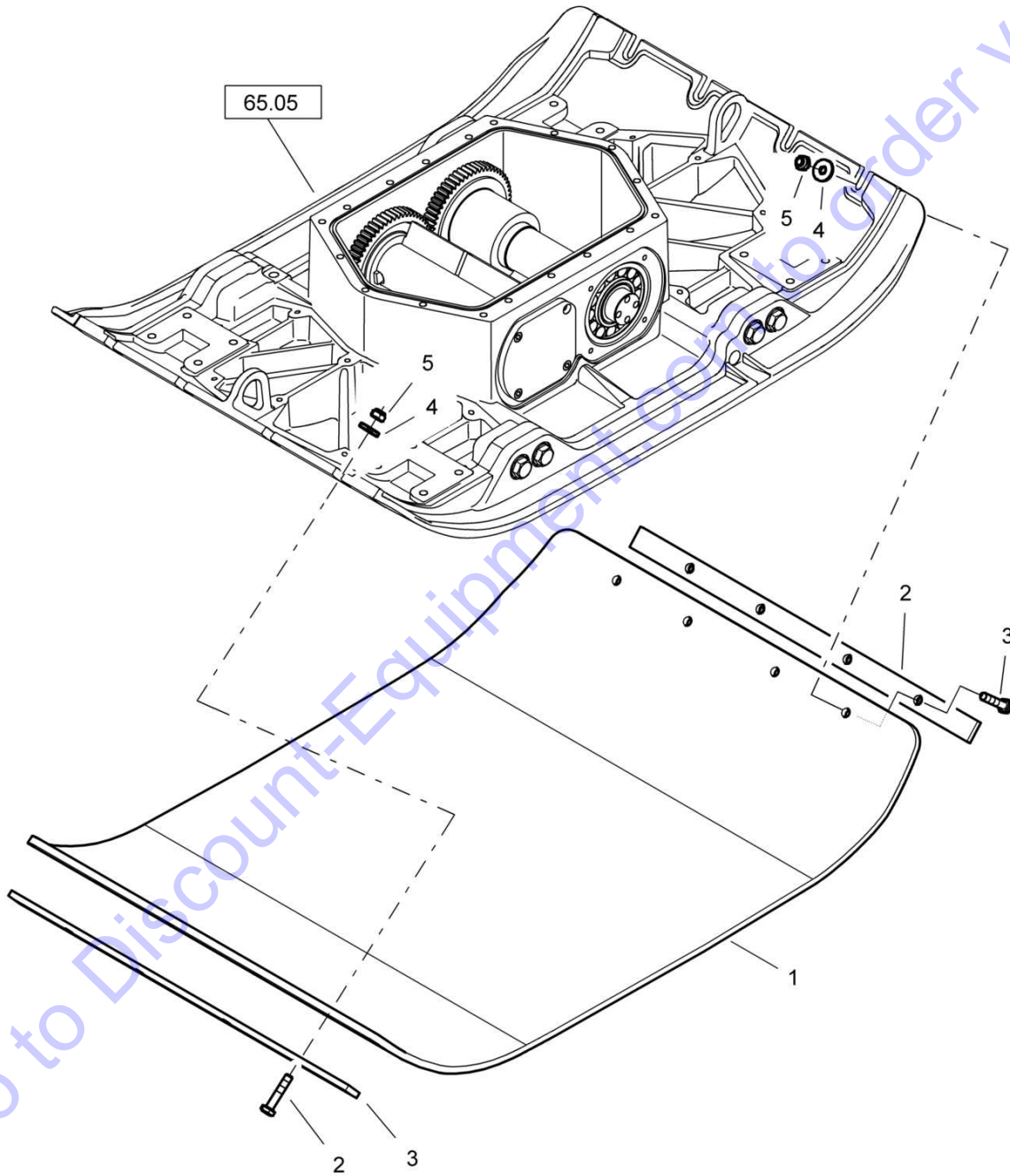
**165.01**

X5-Synthetic plate


Page 1 / 1



69002057\_000\_01



69002057\_000\_01

BPR 70/70 D	
S/N 101692632015 ▶	
<b>X5-Synthetic plate</b>	<b>165.01</b>
	Page <b>1 / 1</b>
	 <b>BOMAG</b> FAYAT GROUP
69002057 1001 1	

**Pos. Part no. Qty. Description**

0	69002057	1	X5-Synthetic plate
1	69003198	1	Plastic plate
2	69003084	2	Flat steel
3	07141044	8	Hexagon bolt
4	08501028	8	Washer
5	08131016	8	Safety nut

Go to Discount-Equipment.com to order your parts

BPR 70/70 D

S/N 101692631001 ▶ S/N 101692632014

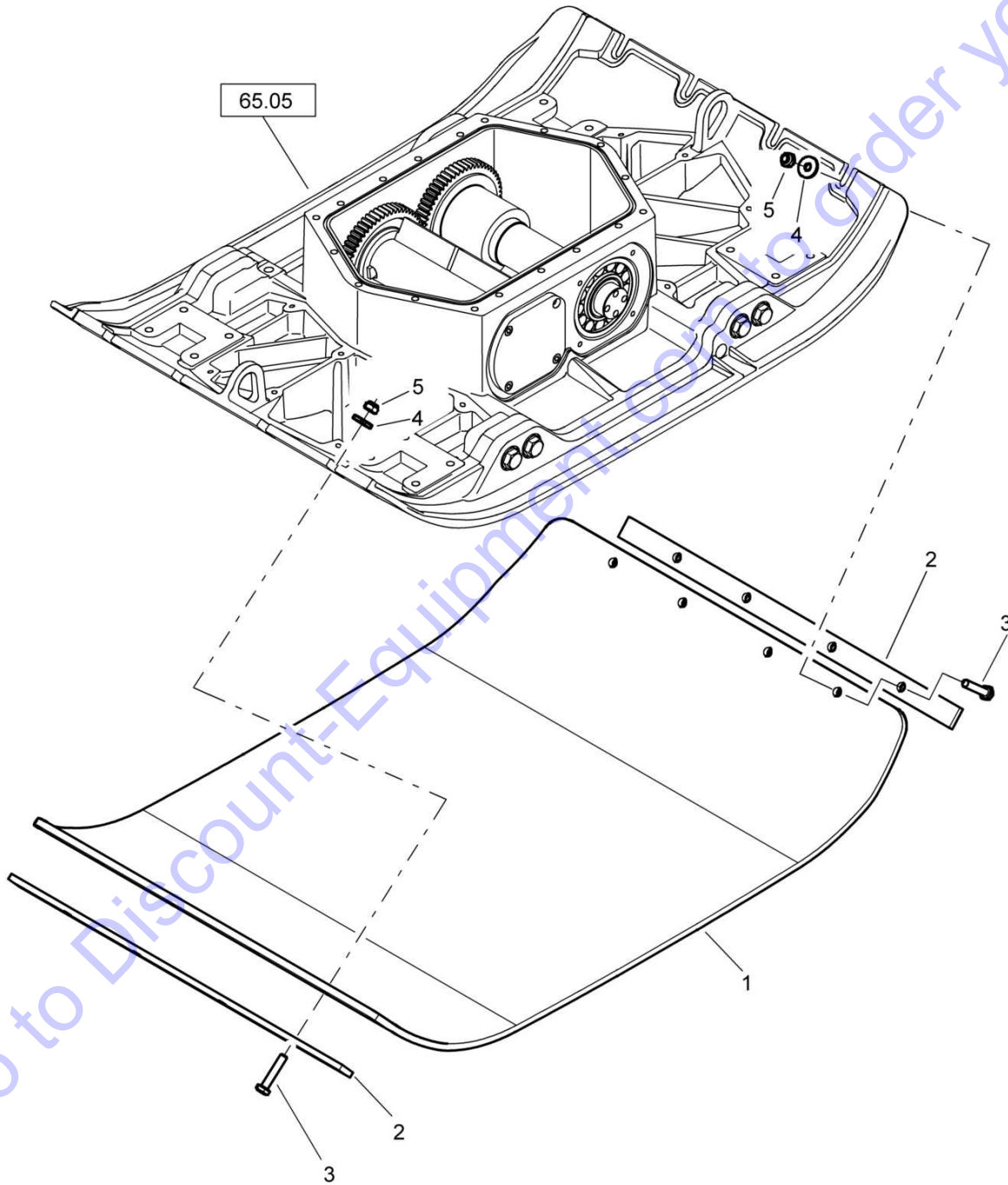
**165.01**


X5-Synthetic plate

Page 1 / 1



69002057\_000\_00



BPR 70/70 D		
S/N 101692631001 ▶ S/N 101692632014		
<b>X5-Synthetic plate</b>		<b>165.01</b>
		Page <b>1 / 1</b>
69002057 1001 1		

**Pos. Part no. Qty. Description**

0	69002057	1	X5-Synthetic plate
1	69003083	1	Plastic plate
2	69003084	2	Flat steel
3	07141044	8	Hexagon bolt
4	08501028	8	Washer
5	08131016	8	Safety nut

Go to Discount-Equipment.com to order your parts



BPR 70/70 D

S/N 101692632670 ▶

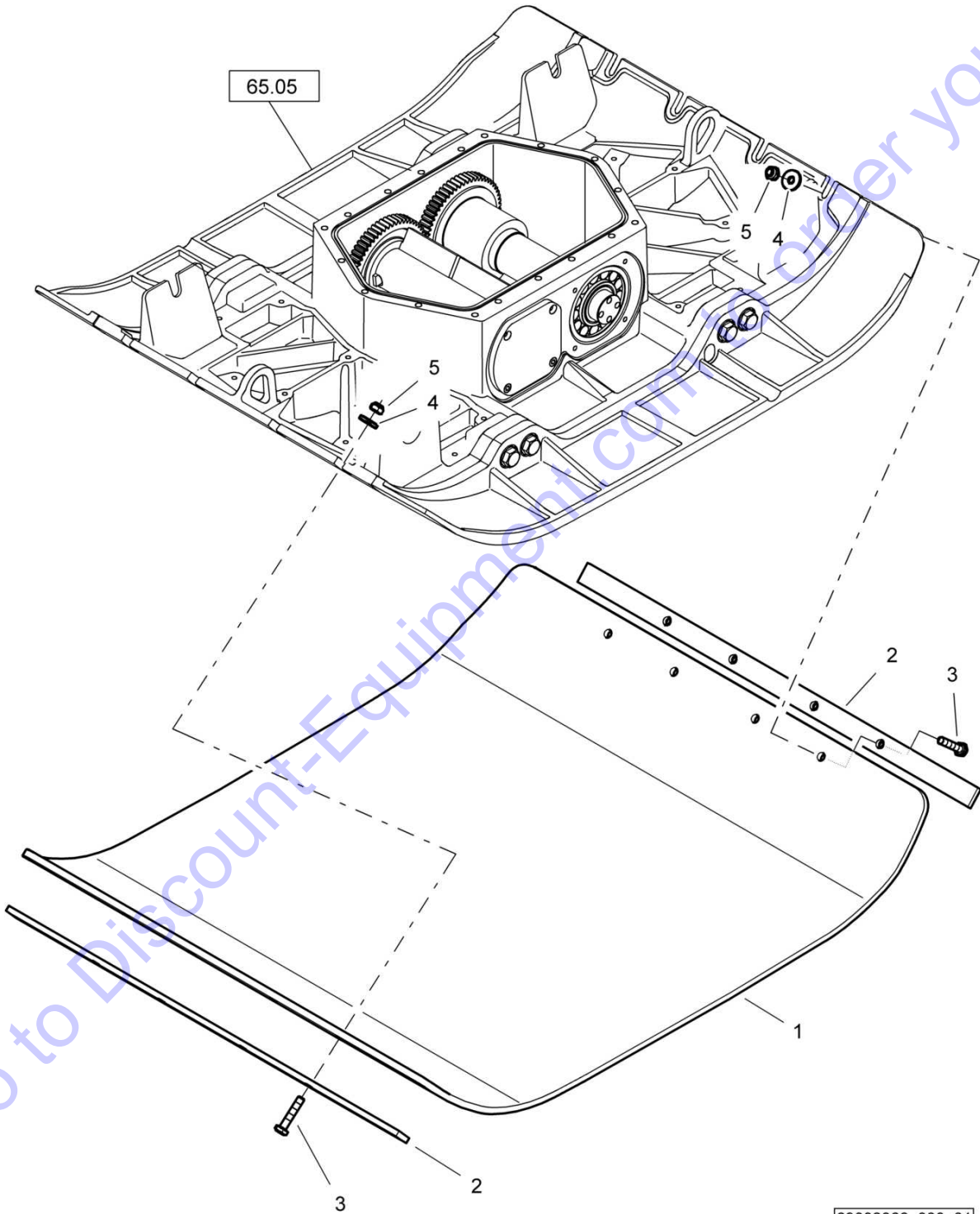
**165.01**

X5-Synthetic plate


Page 1 / 1



69002066\_000\_01



69002066\_000\_01

BPR 70/70 D	
S/N 101692632670 ▶	
<b>X5-Synthetic plate</b>	<b>165.01</b>
	Page 1 / 1
	
69002066 1001 1	

Pos.	Part no.	Qty.	Description
0	69002066	1	X5-Synthetic plate
1	69003199	1	Plastic plate
2	69003100	2	Flat steel
3	07141044	8	Hexagon bolt
4	08501028	8	Washer
5	08131016	8	Safety nut

Go to Discount-Equipment.com to order your parts

BPR 70/70 D

S/N 101692631001 ▶ S/N 101692632669

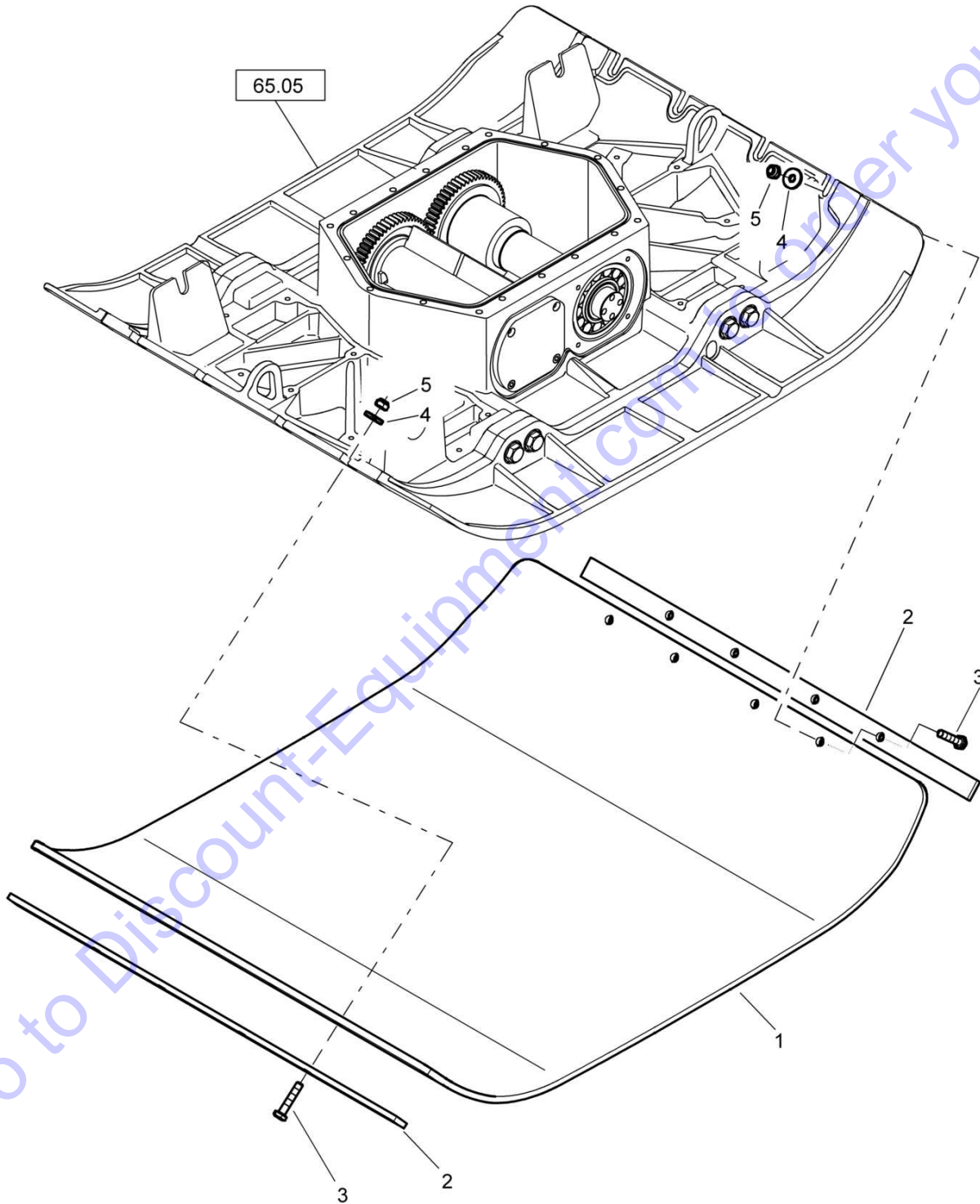
**165.01**


X5-Synthetic plate

Page 1 / 1



69002066\_000\_00



BPR 70/70 D		
S/N 101692631001 ▶ S/N 101692632669		
<b>X5-Synthetic plate</b>		<b>165.01</b>
		Page <b>1 / 1</b>
69002066 1001 1		

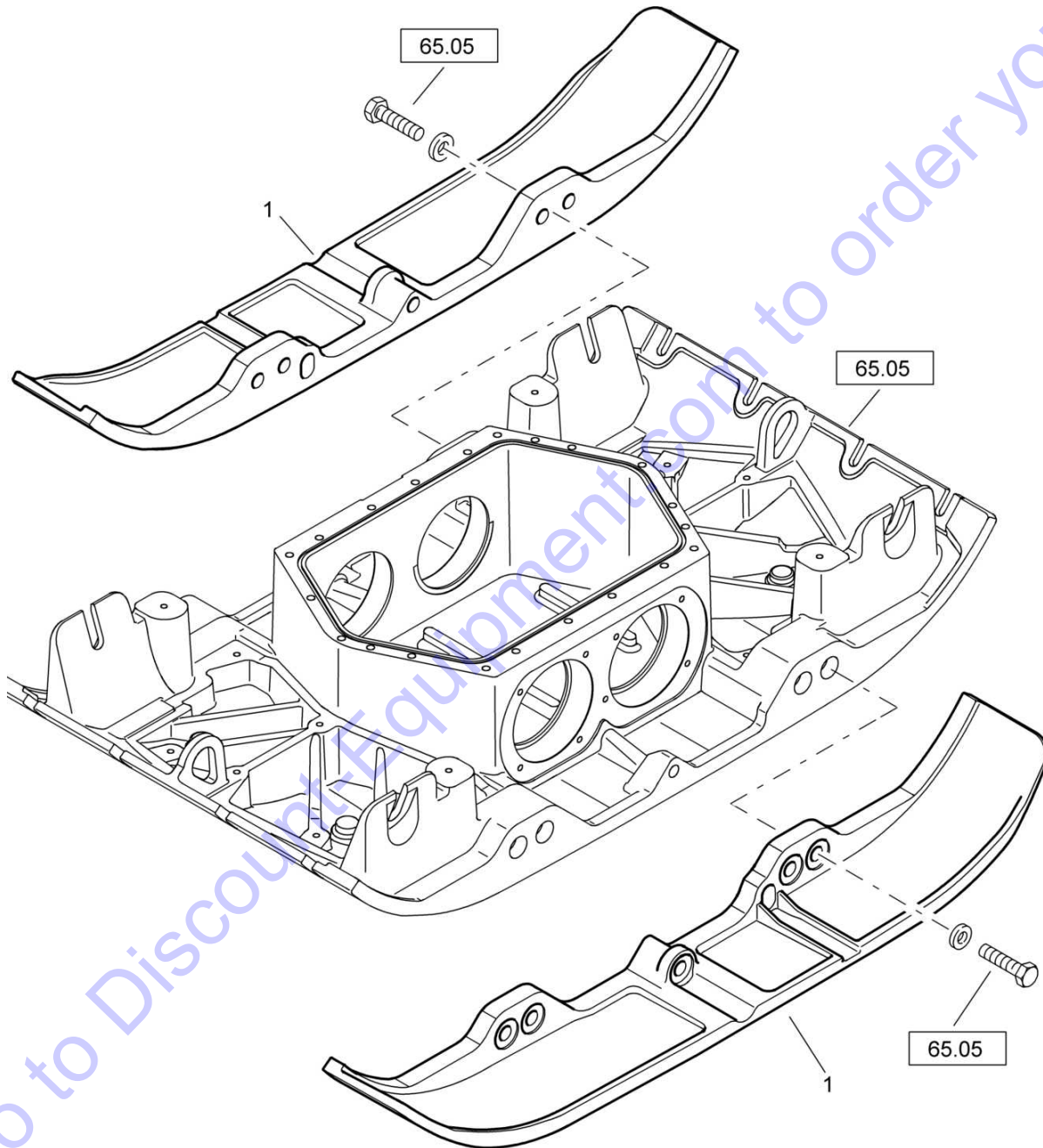
**Pos. Part no. Qty. Description**


0	69002066	1	X5-Synthetic plate
1	69003117	1	Plastic plate
2	69003100	2	Flat steel
3	07141044	8	Hexagon bolt
4	08501028	8	Washer
5	08131016	8	Safety nut

Go to Discount-Equipment.com to order your parts

**165.15**

X19-Attachment plate 2x150mm



BPR 70/70 D	
S/N 101692632739 ▶	
X19-Attachment plate 2x150mm	<b>165.15</b>
	Page 1 / 1
	
69000412 1001 1	

**Pos. Part no. Qty. Description**

1 69020819 2 Attachment ridge

Go to Discount-Equipment.com to order your parts

BPR 70/70 D

S/N 101692631001 ▶ S/N 101692632738

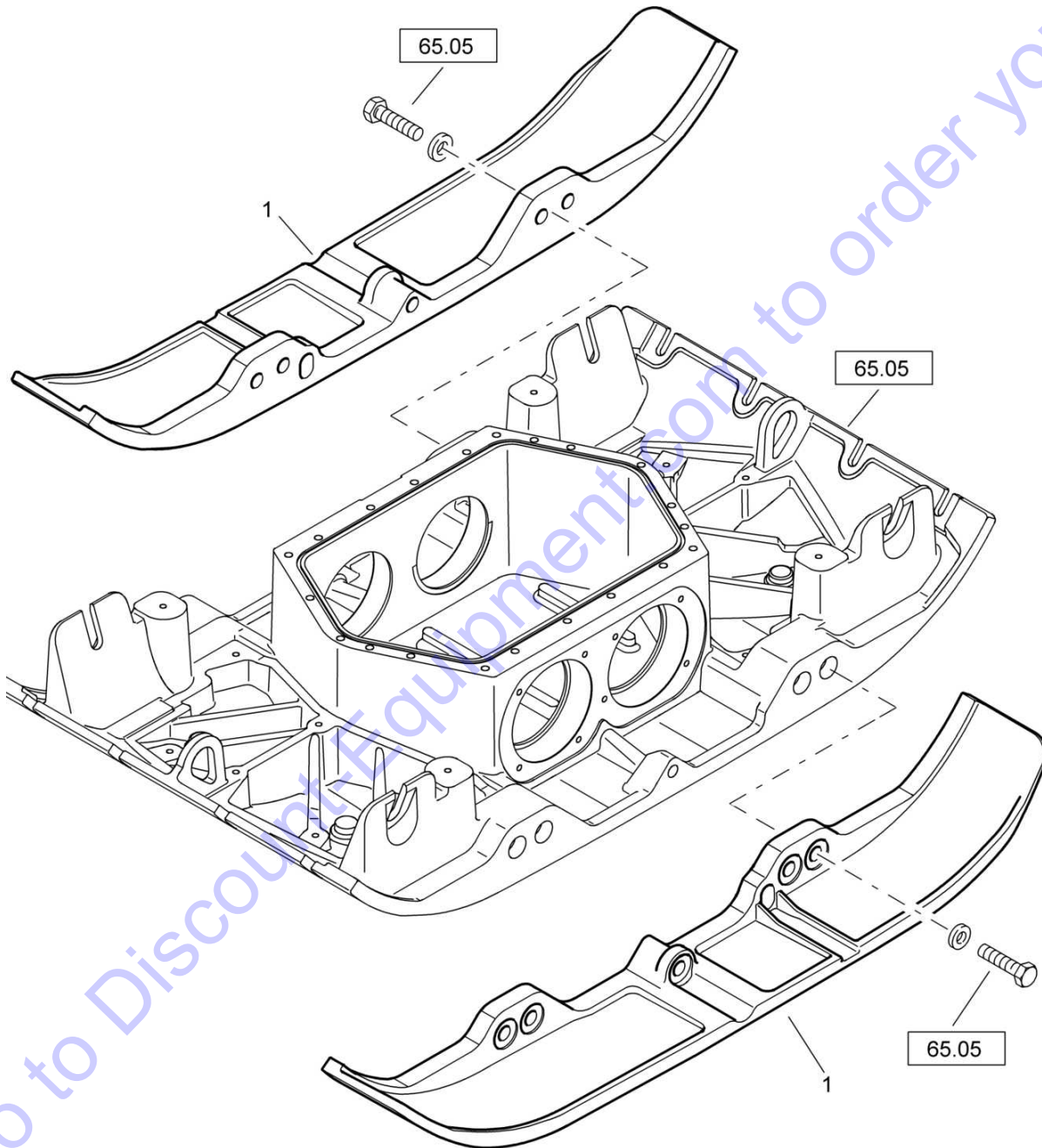
**165.15**

X19-Attachment plate 2x150mm


Page 1 / 1



69000412\_000\_00



69000412\_000\_00

BPR 70/70 D		
S/N 101692631001 ▶ S/N 101692632738		
X19-Attachment plate 2x150mm		<b>165.15</b>
		Page 1 / 1
69000412 1001 1		

**Pos. Part no. Qty. Description**

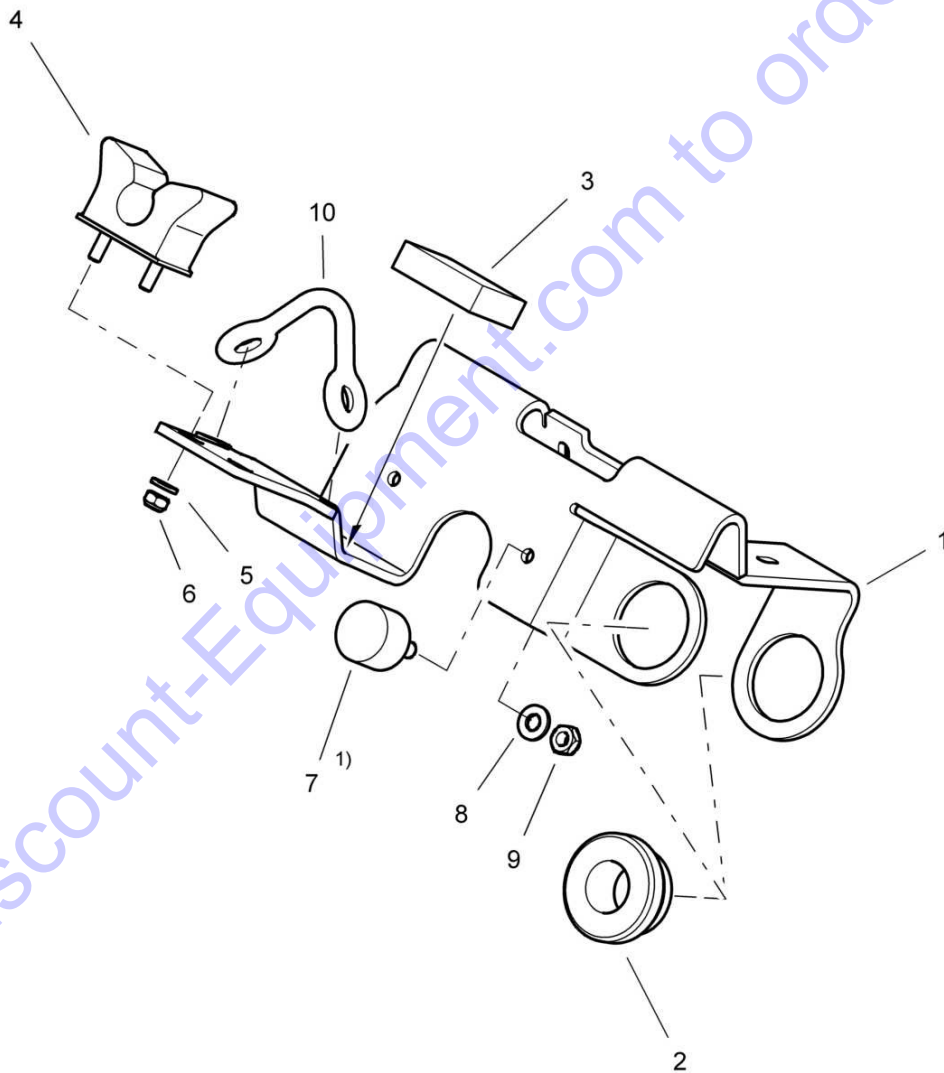
1 69002077 2 Ridge


Go to Discount-Equipment.com to order your parts



	BPR 70/70 D
<b>182.85</b>	S/N 101692631602 ▶
	<b>Holder, assembled</b>
Page <b>1 / 1</b>	
<b>BOMAG</b> FAYAT GROUP	69060483_000_00

1) Tightening torque 15 Nm



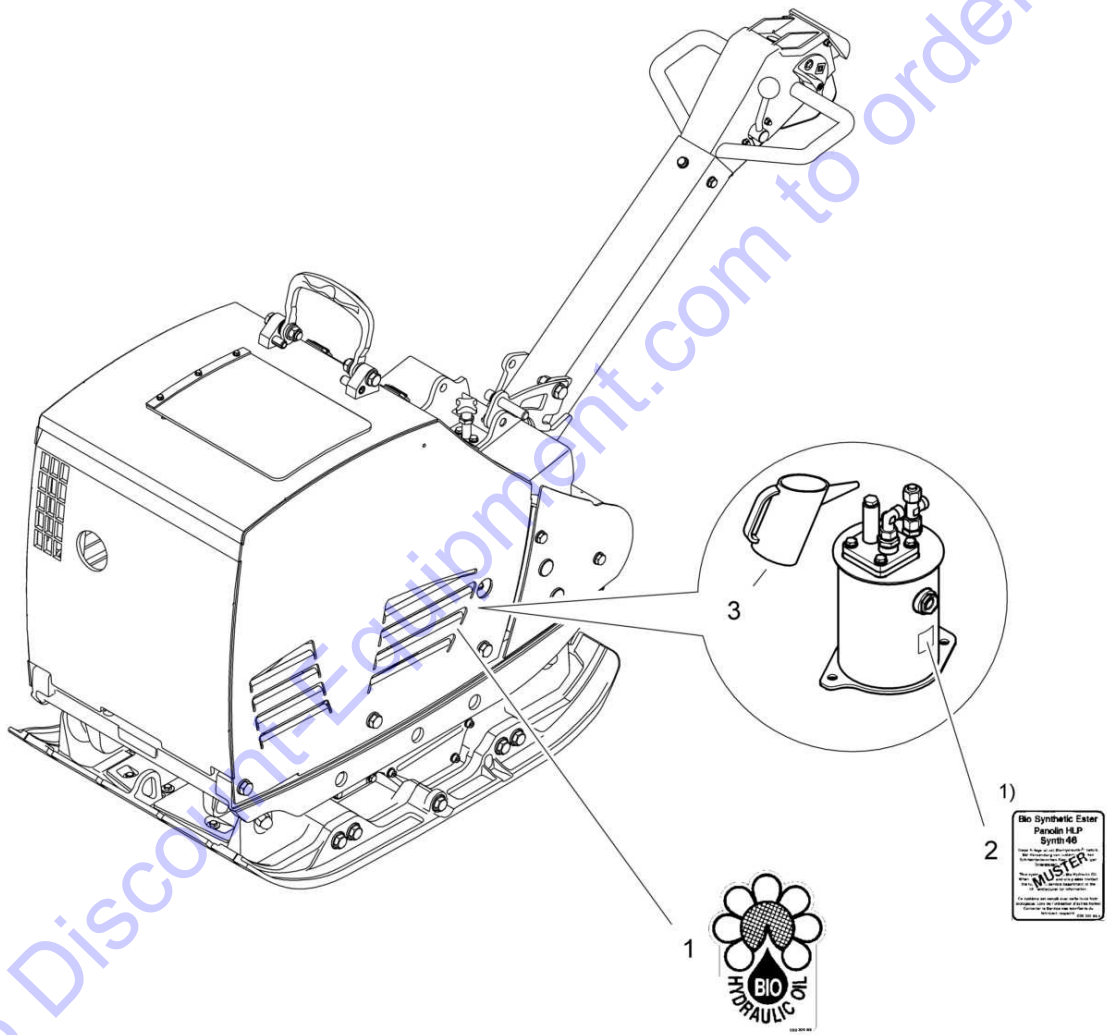
BPR 70/70 D		
S/N 101692631602 ▶		
Holder, assembled		<b>182.85</b>
		Page <b>1 / 1</b>
	69060483 1001 1	

**Pos. Part no. Qty. Description Benennung**


1	69060424	1	Crank handle bracket	
2	67030113	2	Grommet	
3	00652073	0,55 dm	Expanded rubber	
4	01481303	1	Crank handle clamp	
5	08510612	2	Washer	
6	08130611	2	Safety nut	
7	06141585	2	Stop buffer	
8	08510612	2	Washer	
9	08130611	2	Safety nut	
10	32041002	1	Battery holder	

Go to Discount-Equipment.com to order your parts

	BPR 70/70 D	S/N 101692631001 ▶
<b>190.06</b>	HY2-Bio hydraulic oil	
Page <b>1 / 1</b>		
<b>BOMAG</b> FAYAT GROUP	69000480_000_01	



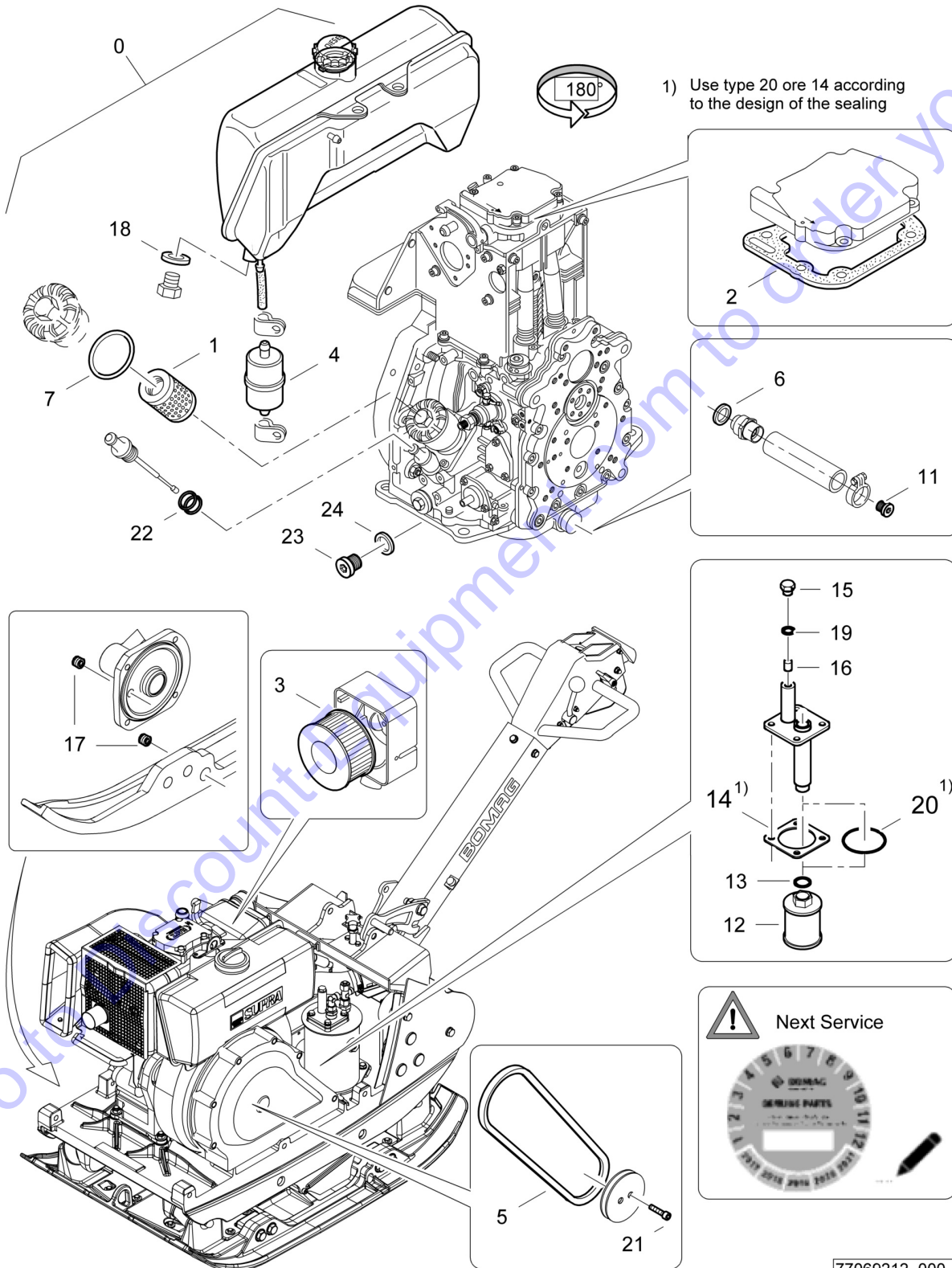
1) Decal, indication 00830055 paste over


BPR 70/70 D		
S/N 101692631001 ▶		
HY2-Bio hydraulic oil		<b>190.06</b>
		Page 1 / 1
69000480 1001 1		

**Pos. Part no. Qty. Description**

1	00830095	1	Decal,indication
2	00832296	1	Decal,indication
3	00993002	2,55	Hydraulic oil

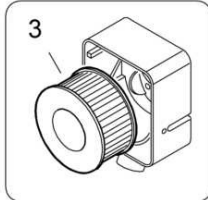
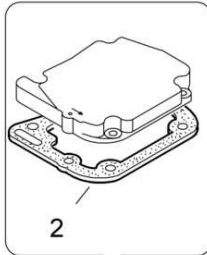
Go to Discount-Equipment.com to order your parts



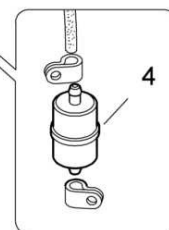
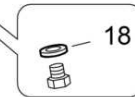
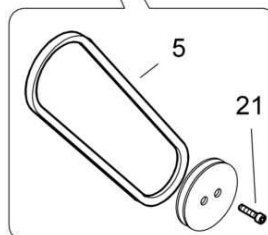
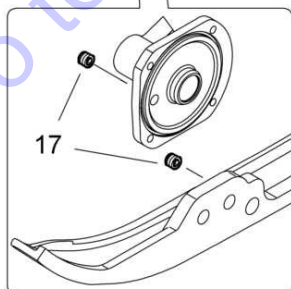
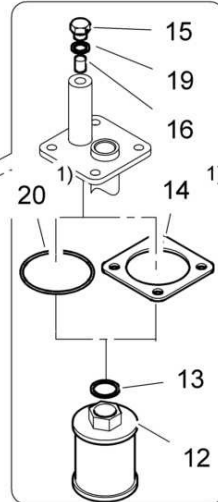
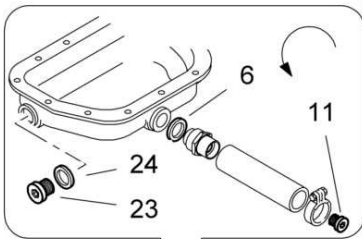
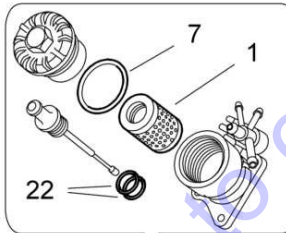
BPR 70/70 D	
S/N 101692635179 ▶	
SW10-Service kit	<b>194.08</b>
	Page 1 / 1
	
77069212 1001 1	


Pos.	Part no.	Qty.	Description	Designation
0	77069212	1	SW10-Service kit	
1	05727382	1	Filter cartridge,eng.oil	
2	05722258	1	Square ring	
3	05727215	1	Filter element,air	
4	05727894	1	Filter,fuel	
5	06312282	1	V-belt	
6	07230838	2	Socket-head cap screw	
7	05722391	1	Gasket	
8	05546103	1	Screw plug with seal	
9	07611415	2	Screw plug	
10	09331678	1	Sealing ring	
11	06220019	2	Loop ring	
12	05821174	1	Suction filter	
13	09331188	1	Sealing ring	
14	69240143	1	Gasket	
15	72480126	1	Screw plug	
16	06520005	1	Filter plug	
17	09331108	1	Sealing ring	
18	06220605	1	Loop ring	

Go to Discount-Equipment.com to order your parts



1) Use type 20 ore 14 according to the design of the sealing

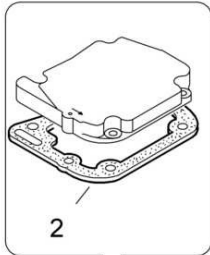


BPR 70/70 D		
S/N 101692631391 ▶ S/N 101692635178		
SW10-Service kit		<b>194.08</b>
		Page 1 / 1
77069212 1001 1		

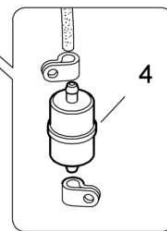
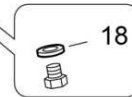
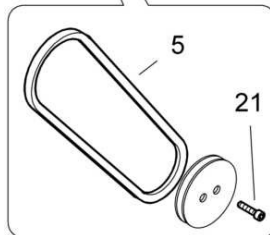
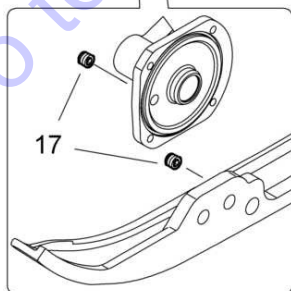
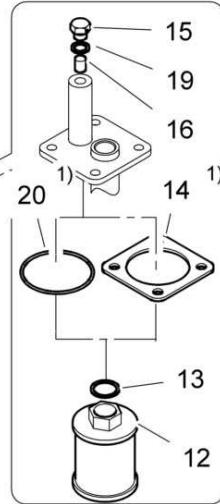
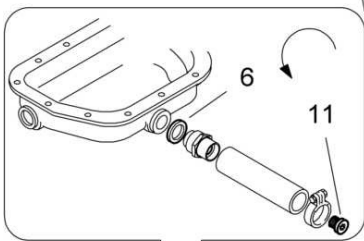
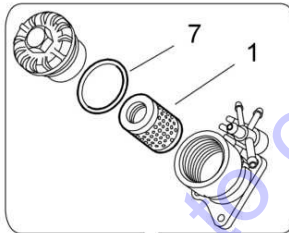
Pos.	Part no.	Qty.	Description
0	77069212	1	SW10-Service kit
1	05727382	1	Filter cartridge,eng.oil
2	05722258	1	Square ring
3	05727215	1	Filter element,air
4	05727894	1	Filter,fuel
5	06312282	1	V-belt
6	07230838	2	Socket-head cap screw
7	05722391	1	Gasket
8	05546103	1	Screw plug with seal
9	07611415	2	Screw plug
10	09331678	1	Sealing ring
11	06220019	2	Loop ring
12	05821174	1	Suction filter
13	09331188	1	Sealing ring
14	69240143	1	Gasket
15	72480126	1	Screw plug
16	06520005	1	Filter plug
17	09331108	1	Sealing ring
18	06220605	1	Loop ring


Go to Discount-Equipment.com to order your parts





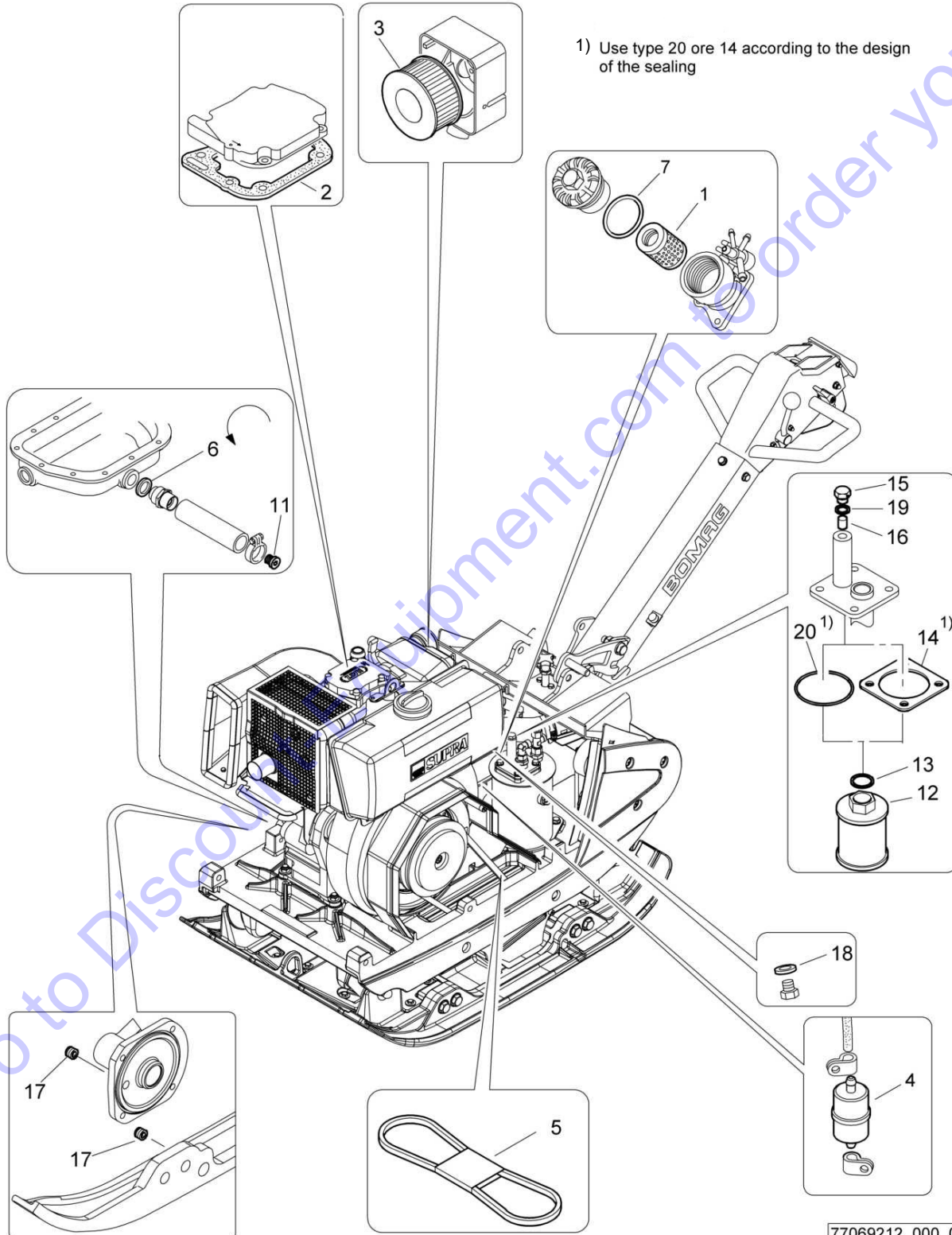
1) Use type 20 ore 14 according to the design of the sealing




BPR 70/70 D		
S/N 101692631350 ▶ S/N 101692631390		
SW10-Service kit		<b>194.08</b>
		Page <b>1 / 1</b>
77069212 1001 1		

Pos.	Part no.	Qty.	Description
0	77069212	1	SW10-Service kit
1	05727382	1	Filter cartridge,eng.oil
2	05722258	1	Square ring
3	05727215	1	Filter element,air
4	05727894	1	Filter,fuel
5	06312282	1	V-belt
6	07230838	2	Socket-head cap screw
7	05722391	1	Gasket
8	05546103	1	Screw plug with seal
9	07611415	2	Screw plug
10	09331678	1	Sealing ring
12	05821174	1	Suction filter
13	09331188	1	Sealing ring
14	69240143	1	Gasket
15	72480126	1	Screw plug
16	06520005	1	Filter plug
17	09331108	1	Sealing ring
18	06220605	1	Loop ring

Go to Discount-Equipment.com to order your parts



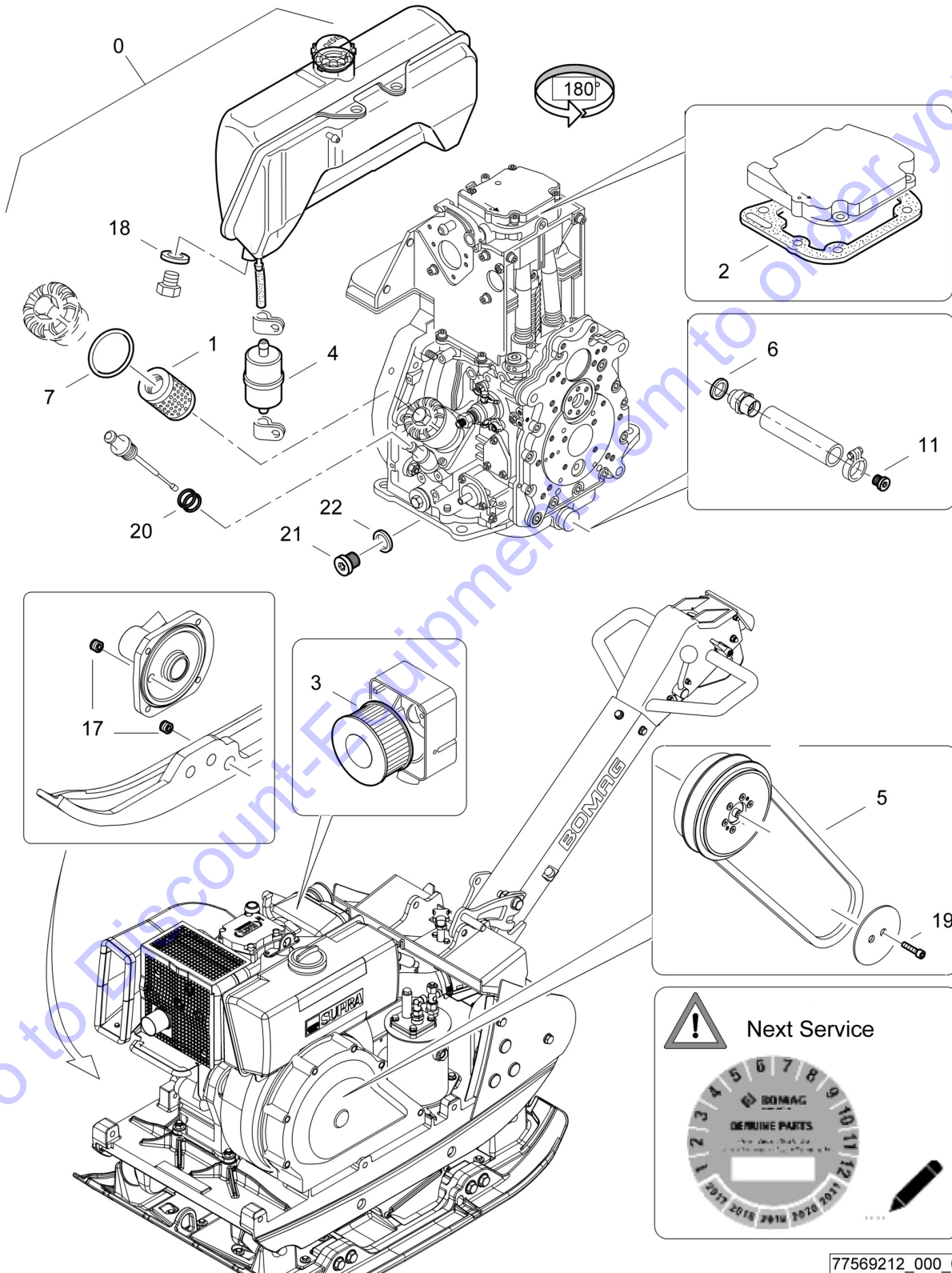
BPR 70/70 D		
S/N 101692631001 ▶ S/N 101692631349		
SW10-Service kit		<b>194.08</b>
		Page 1 / 1
77069212 1001 1		


Pos.	Part no.	Qty.	Description
0	77069212	1	SW10-Service kit
1	05727382	1	Filter cartridge,eng.oil
2	05722258	1	Square ring
3	05727215	1	Filter element,air
4	05727894	1	Filter,fuel
5	06312282	1	V-belt
7	05722391	1	Gasket
8	05546103	1	Screw plug with seal
9	07611415	2	Screw plug
10	09331678	1	Sealing ring
12	05821174	1	Suction filter
13	09331188	1	Sealing ring
14	69240143	1	Gasket
15	72480126	1	Screw plug
16	06520005	1	Filter plug
17	09331108	1	Sealing ring
18	06220605	1	Loop ring

Go to Discount-Equipment.com to order your parts

**194.08**

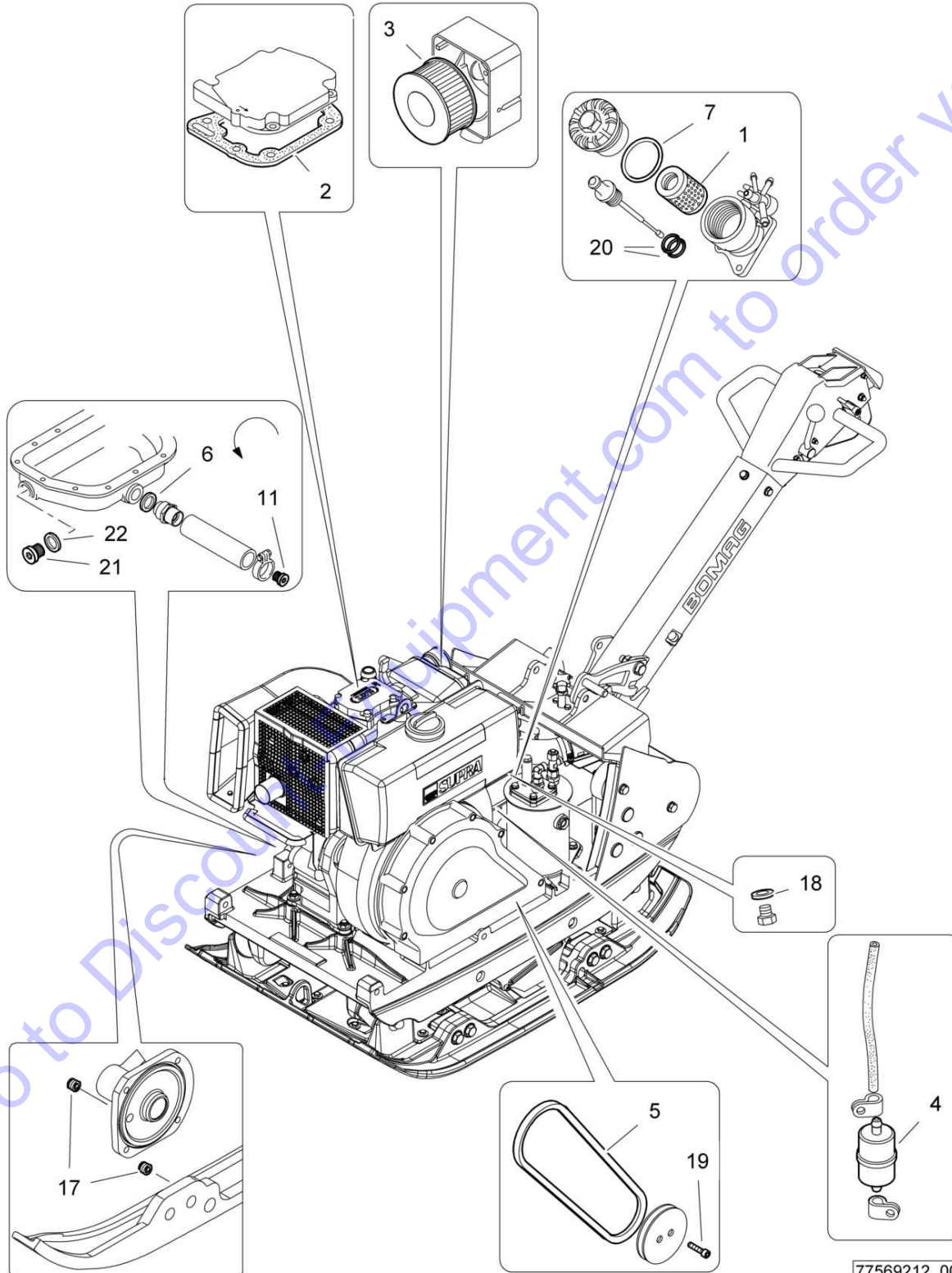
SW10-Service kit




BPR 70/70 D	
S/N 101692635179 ▶	
SW10-Service kit	<b>194.08</b>
	Page 1 / 1
	
77569212 1001 1	

Pos.	Part no.	Qty.	Description
0	77569212	1	SW10-Service kit
1	05727382	1	Filter cartridge,eng.oil
2	05722258	1	Square ring
3	05727215	1	Filter element,air
4	05727894	1	Filter,fuel
5	06312282	1	V-belt
6	09331768	1	Sealing ring
6	07230838	2	Socket-head cap screw
7	05722391	1	Gasket
8	05546103	1	Screw plug with seal
9	07611415	2	Screw plug
10	09331678	1	Sealing ring
11	06220019	2	Loop ring

Go to Discount-Equipment.com to order your parts

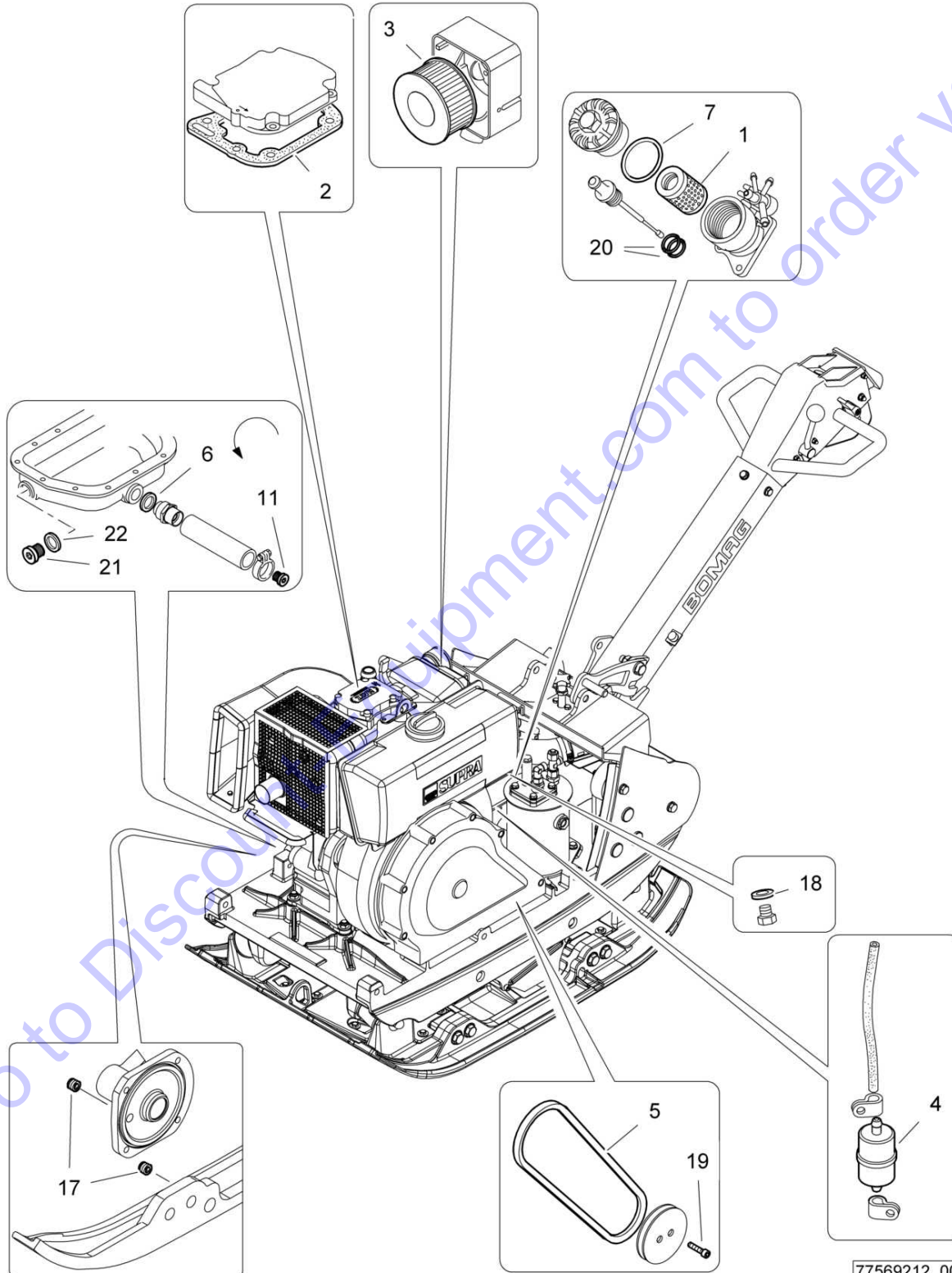



BPR 70/70 D		
S/N 101692631402 ▶ S/N 101692635178		
<b>SW10-Service kit</b>		<b>194.08</b>
		Page <b>1 / 1</b>
77569212 1001 1		

Pos.	Part no.	Qty.	Description
0	77569212	1	SW10-Service kit
1	05727382	1	Filter cartridge,eng.oil
2	05722258	1	Square ring
3	05727215	1	Filter element,air
4	05727894	1	Filter,fuel
5	06312282	1	V-belt
6	09331768	1	Sealing ring
6	07230838	2	Socket-head cap screw
7	05722391	1	Gasket
8	05546103	1	Screw plug with seal
9	07611415	2	Screw plug
10	09331678	1	Sealing ring
11	06220019	2	Loop ring

Go to Discount-Equipment.com to order your parts

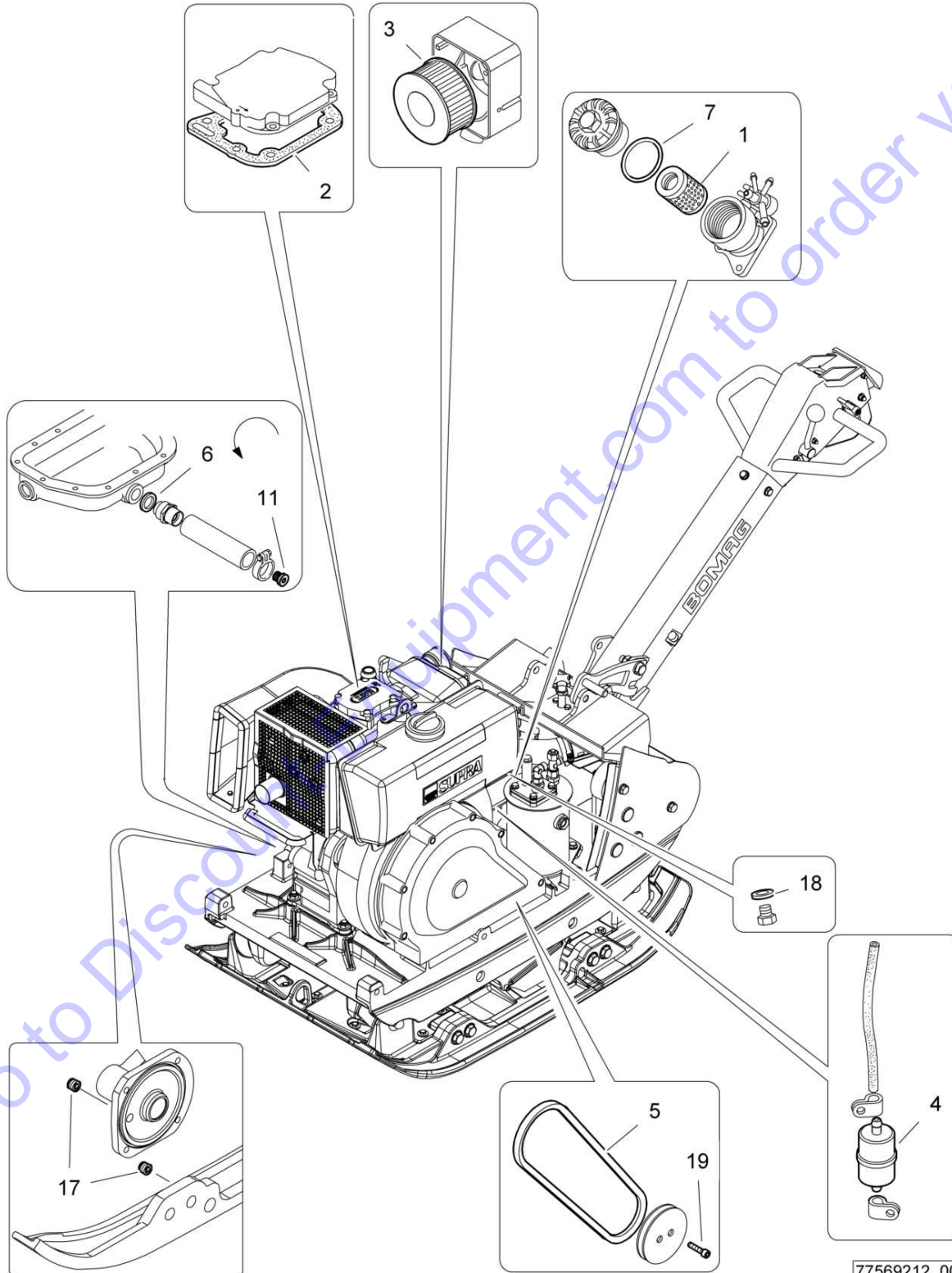





BPR 70/70 D		
S/N 101692631391 ▶ S/N 101692631401		
SW10-Service kit		<b>194.08</b>
		Page <b>1 / 1</b>
77569212 1001 1		

Pos.	Part no.	Qty.	Description
0	77569212	1	SW10-Service kit
1	05727382	1	Filter cartridge,eng.oil
2	05722258	1	Square ring
3	05727215	1	Filter element,air
4	05727894	1	Filter,fuel
5	06312282	1	V-belt
6	09331768	2	Sealing ring
6	07230838	2	Socket-head cap screw
7	05722391	1	Gasket
8	05546103	1	Screw plug with seal
9	07611415	2	Screw plug
10	09331678	1	Sealing ring
11	05546103	1	Screw plug with seal
11	06220019	2	Loop ring
17	07611415	2	Screw plug

Go to Discount-Equipment.com to order your parts



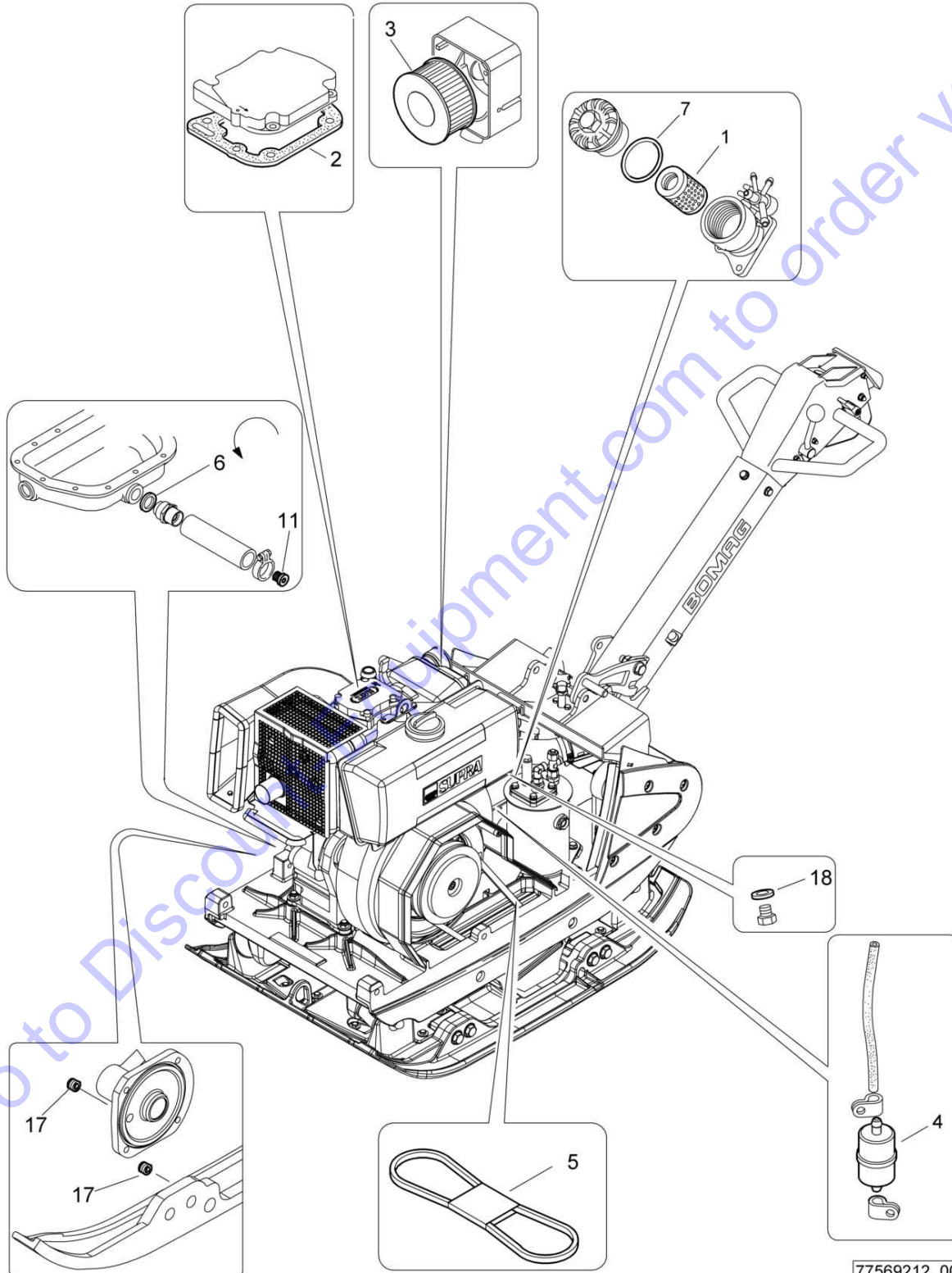
BPR 70/70 D		
S/N 101692631350 ▶ S/N 101692631390		
SW10-Service kit		<b>194.08</b>
		Page 1 / 1
77569212 1001 1		


Pos.	Part no.	Qty.	Description
0	77569212	1	SW10-Service kit
1	05727382	1	Filter cartridge,eng.oil
2	05722258	1	Square ring
3	05727215	1	Filter element,air
4	05727894	1	Filter,fuel
5	06312282	1	V-belt
6	09331768	2	Sealing ring
6	07230838	2	Socket-head cap screw
7	05722391	1	Gasket
10	09331678	1	Sealing ring
11	05546103	1	Screw plug with seal
17	07611415	2	Screw plug

Go to Discount-Equipment.com to order your parts

**194.08**

SW10-Service kit



BPR 70/70 D		
S/N 101692631001 ▶ S/N 101692631349		
SW10-Service kit		<b>194.08</b>
		Page <b>1 / 1</b>
77569212 1001 1		

Pos.	Part no.	Qty.	Description
0	77569212	1	SW10-Service kit
1	05727382	1	Filter cartridge,eng.oil
2	05722258	1	Square ring
3	05727215	1	Filter element,air
4	05727894	1	Filter,fuel
5	06312282	1	V-belt
6	09331768	2	Sealing ring
7	05722391	1	Gasket
10	09331678	1	Sealing ring
11	05546103	1	Screw plug with seal
17	07611415	2	Screw plug

Go to Discount-Equipment.com to order your parts

# PARTS FINDER

**Search Website  
by Part Number**



**Search Manual  
Library For Parts  
Manual & Lookup Part  
Numbers – Purchase  
or Request Quote**

**Search Manuals**

Enter your information to help us find the right parts manual for your machine.

\* Brand:

\* Model:

\* Serial:

\* Part Number:

SEARCH

**Can't Find Part or  
Manual? Request Help  
by Manufacturer,  
Model & Description**

**Parts Order Form**

Please fill in the following information to help us find the right part for your machine.

Manufacturer:	<input type="text"/>
Model:	<input type="text"/>
Description:	<input type="text"/>
Part Number:	<input type="text"/>
Quantity:	<input type="text"/>
Notes:	<input type="text"/>

Submit

Discount-Equipment.com is your online resource for quality parts & equipment.

Florida: **561-964-4949** Outside Florida TOLL FREE: **877-690-3101**

**Need parts?**

Click on this link: <http://www.discount-equipment.com/category/5443-parts/> and choose one of the options to help get the right parts and equipment you are looking for. Please have the machine model and serial number available in order to help us get you the correct parts. If you don't find the part on the website or on one of the online manuals, please fill out the request form and one of our experienced staff members will get back to you with a quote for the right part that your machine needs.

We sell worldwide for the brands: Genie, Terex, JLG, MultiQuip, Mikasa, Essick, Whiteman, Mayco, Toro Stone, Diamond Products, Generac Magnum, Airman, Haulotte, Barreto, Power Blanket, Nifty Lift, Atlas Copco, Chicago Pneumatic, Allmand, Miller Curber, Skyjack, Lull, Skytrak, Tsurumi, Husquvarna Target, Stow, Wacker, Sakai, Mi-T-M, Sullair, Basic, Dynapac, MBW, Weber, Bartell, Bennar Newman, Haulotte, Ditch Runner, Menegotti, Morrison, Contec, Buddy, Crown, Edco, Wyco, Bomag, Laymor, EZ Trench, Bil-Jax, F.S. Curtis, Gehl Pavers, Heli, Honda, ICS/PowerGrit, IHI, Partner, Imer, Clipper, MMD, Koshin, Rice, CH&E, General Equipment, Amida, Coleman, NAC, Gradall, Square Shooter, Kent, Stanley, Tamco, Toku, Hatz, Kohler, Robin, Wisconsin, Northrock, Oztec, Toker TK, Rol-Air, APT, Wylie, Ingersoll Rand / Doosan, Innovatech, Con X, Ammann, Mecalac, Makinex, Smith Surface Prep, Small Line, Wanco, Yanmar