

711 LAKE STREET
KENT, OHIO 44240-0017

PHONE: (330) 673-5826

FAX: (330) 677-1616

Ohio Headquarters: (800) 527-2282

Oregon Warehouse: (800) 624-1616

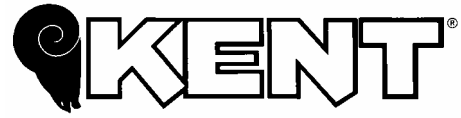
<http://www.kentdemolition.com>



KMT Series Mechanical Thumb Owner's Manual

Serial No. KMT-_____

- The policy of Kent Demolition Tools is one of continual improvement. We reserve the right to change design, materials, or specifications at any time, without notice or creating any obligation to previous or future customers.
- The information contained in this manual is provided at no charge to the customers of the Kent Demolition Tool Company, a Division of Gougler Industries, inc., Kent, Ohio.
- We hereby grant to our customers the right to reproduce individual pages, electronically or by photocopy, when used in support of the Kent product described herein, provided that no changes are made to the material information, no reproductions are sold, and no part of this manual is incorporated in any publication without the specific written permission from the Kent Demolition Tool Company.



KENT'S COMMITMENT TO ITS CUSTOMERS

For over 40 years, Kent has been dedicated to designing and manufacturing a broad line of top-performing, quality tools for the demolition and construction industries. We are continuously gathering experience from many work areas and using that experience to manufacture the best tools available to meet the needs of ever-changing market requirements.

Kent demolition tools have been designed from the inside out to deliver the rugged and dependable day-in and day-out performance you need to get the job done, to minimize downtime, and to keep the job moving on budget and on schedule. With our wide choice of hydraulic hammers, pneumatic hammers, concrete crushers, pedestal units, compactor/drivers, hand-held tools and accessories, you can always choose the right combination for maximum job productivity.

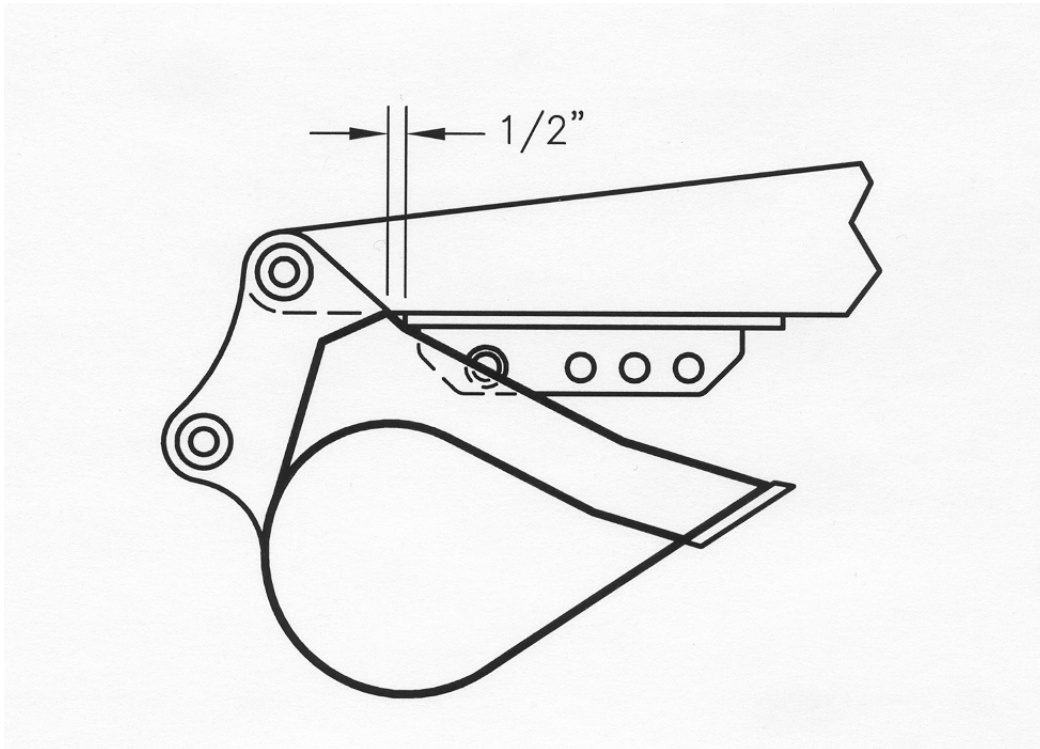
Kent supports you every step of the way with things like on-site engineering for custom design work, two strategically located warehouse facilities with extensive tool inventories assuring on-time deliveries, experienced parts personnel who know how to listen, and a nationwide distribution network for fast-access sales and service. These are just a few of the reasons to rely on Kent to satisfy all of your demolition requirements.

Sincerely,

Kent Demolition Tool Co.

Installation Instructions

Locate the thumb mounting bracket as close as possible to the bucket pivot.
Allow $\frac{1}{2}$ " clearance with bucket in full curl position.



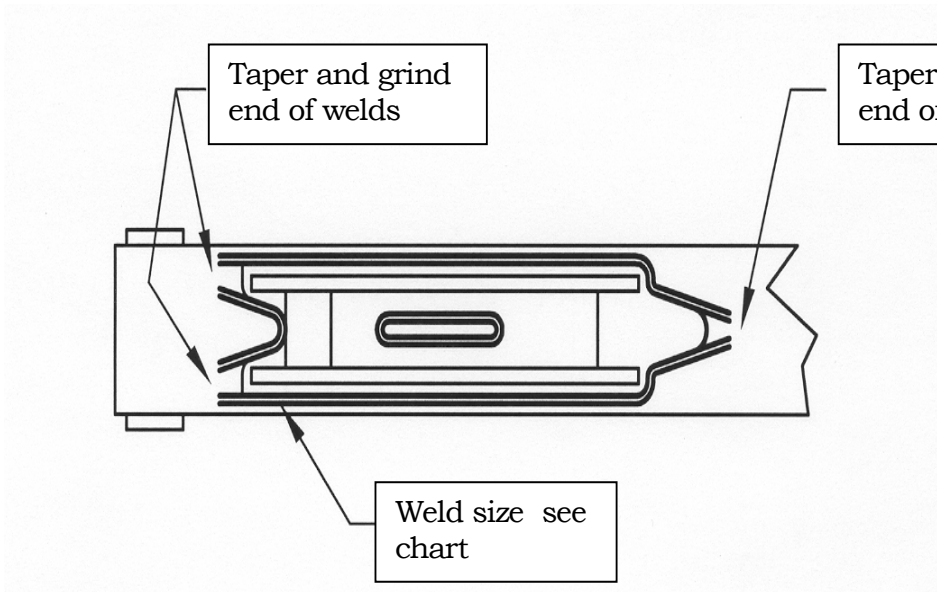


Welding Instructions

Note: all welding and practices to be in accordance with the American Welding Society

Weld electrode and procedure is as follows: weld using E7018 or equivalent electrode. All welding to be performed by a qualified or certified welder. Welding to be peened and the end of each weld ground and tapered to eliminate weld stress and stress risers.

Taper and grind end of weld



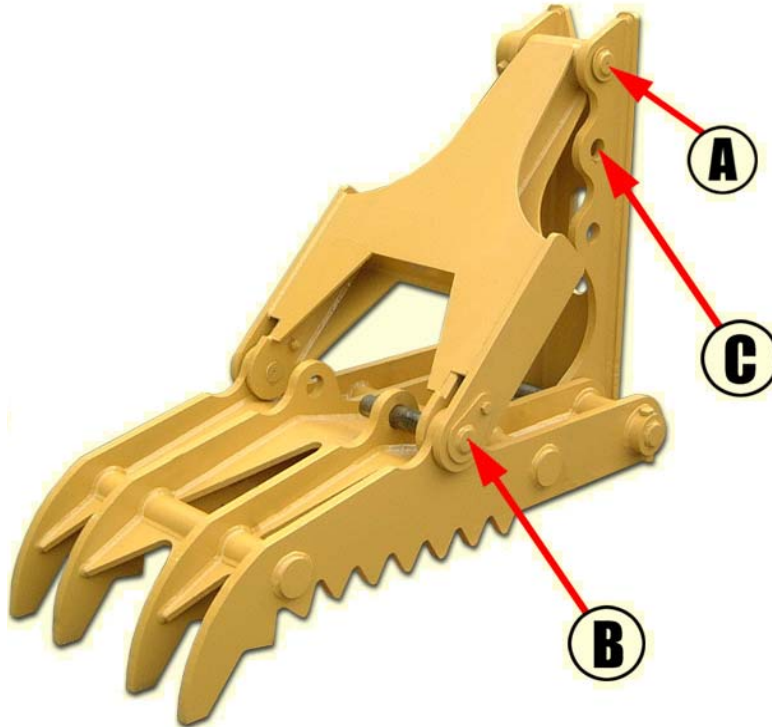
Weld Size

The weld size is based on the thinnest material being welded.

Thinnest material	Single Fillet
1/2"	7/16"
3/4"	1/2"
1"	3/4"
1-1/2"	1"

Folding Instructions

- 1) Remove pin A.
- 2) Pull pin B half way out.
- 3) Rotate main thumb up to mounting bracket and secure by inserting pin B through position C.
- 4) Replace pin A.



Collapsed position





Replacement Parts

Generally replacement parts are not required. Should you lose or damage some part, please contact Kent Product Support.



WARRANTY & POLICIES

WARRANTY POLICY FOR KENT BOOM MOUNTED TOOLS



The following information shall be considered the guidelines for warranty submittals regarding Kent boom mounted tools:

1. Terms of Warranty

Kent Tool Company warrants that its boom mounted tools (G-Series and F-Series HydraRams), and the parts thereof, will be free from defects in material and workmanship. KENT makes no other warranty, expressed or implied.

The term of this warranty shall be 12 (TWELVE) months or 1000 (ONE THOUSAND) hours of operation whichever period expires earlier. Under no circumstances, however, shall any warranty (except for that on the piston and cylinder) be extended beyond 18 (EIGHTEEN) months after the invoicing date, regardless of whether the tool has been in use or storage during that time.

2. Repairs Not Covered by Warranty (Exclusions)

The following list enumerates some examples of repairs NOT covered by KENT's warranty. Exclusions are not limited to this list, but problems listed are specifically excluded.

- TROUBLES CAUSED BY CONTAMINATION OF HYDRAULIC OIL, GREASE, OR OTHER FLUIDS.
- TROUBLES CAUSED BY FOREIGN MATERIALS INTRODUCED INTO THE SYSTEM.
- TROUBLES CAUSED BY INCORRECT OR INSUFFICIENT MAINTENANCE.
- TROUBLES CAUSED BY NEGLIGENCE OF THE CORRECT OPERATION, INSPECTION, OR MAINTENANCE PROCEDURES AS DESCRIBED IN THE INSTRUCTION MANUALS.
- TROUBLES CAUSED BY MODIFICATIONS TO THE TOOL THAT WERE NOT AUTHORIZED OR APPROVED BY KENT.
- TROUBLES ATTRIBUTED TO THE USE OF PARTS OR ACCESSORIES OTHER THAN GENUINE KENT PRODUCTS, OR KENT APPROVED EQUALS.
- TROUBLES CAUSED BY OPERATING THE TOOL IN A MODE EXCEEDING THAT OF THE STATED DESIGN SPECIFICATIONS.
- DISCOLORATION AND/OR COSMETIC CHANGES IN THE COATINGS OR PLATING WHICH DEVELOP OVER A PERIOD OF TIME.
- TROUBLES THAT WERE EVIDENTLY INCURRED DURING THE TRANSPORTATION OF THE PRODUCT.



- REPLACEMENT OR REPAIR TO NORMAL WEAR PARTS, INCLUDING, BUT NOT LIMITED TO:
 - WORKING STEELS
 - RUBBER MOUNTS, PLUGS, AND HOSES
 - OILS AND GREASES
 - FILTERS
 - GASKETS, SEALS, AND PACKING
 - NUTS AND BOLTS
 - BOLT PROTECTORS
 - SIDE PLATES
 - DIAPHRAGMS
 - CHARGING VALVES
 - NITROGEN GAS
 - MOUNTING PINS
 - CHUCKS AND ALIGNMENT PARTS
 - PLATES, TEETH, PANELS, BUSHINGS, OR CUTTERS
 - ANY PART NORMALLY EXPECTED TO WEAR DURING THE OPERATION OF THE TOOL.
- WHEN DAMAGED PARTS CANNOT BE PRESENTED TO KENT FOR EXAMINATION, EXCEPT WHEN, AND UPON THE DISCRETION OF KENT, PHOTOGRAPHIC EVIDENCE IS ALLOWED.
- TROUBLES WHOSE CAUSES ARE ENVIRONMENTAL, AND/OR BEYOND HUMAN CONTROL.

3. Claims, Compensation, and Remedies.

The purchaser's exclusive and sole remedy shall be limited to repair, modification, or replacement of the defective product, at the discretion of KENT. KENT shall not, in any event, be liable for the cost of any special, indirect, or consequential damages to anyone.

Merchandise may not be returned without the prior authorization of KENT, and any returns shall be accompanied by a completed Warranty Claim Form / Return Good Authorization.

Any claims allowed will be issued in the form of a credit to the dealer's account.

If the dealer uses parts from their own stock for treatment of a warranty claim, KENT retains the option to replace those parts, or pay to the dealer, the NET price of those parts, at KENT's discretion.

There shall be no allowance for freight charges beyond that of standard surface transportation charges. Freight charges must be authorized prior to shipment.

Labor to repair a tool shall be allowed at a rate of \$35.00 per hour. No overtime labor charges, mileage charges, or travel time will be allowed. Straight time labor charges shall be authorized at the discretion of KENT, and shall be based on a flat rate allowance.

Kent Tool Company
711 Lake Street
Kent, Ohio 44240
(800) 527-2282

WARRANTY POLICY FOR KENT **REPLACEMENT PARTS**



The following information shall be considered the guidelines for warranty submittals regarding genuine Kent replacement and repair parts:

1. Terms of Warranty

Kent Tool Company warrants that its replacement and repair parts will be free from defects in material and workmanship. KENT makes no other warranty, expressed or implied.

The term of this warranty shall be 6 (SIX) months from the date of purchase from KENT, or from the inventory of an Authorized Stocking Dealer of the Kent Tool Company. Under no circumstances, however, shall any warranty be extended beyond 12 (TWELVE) months after the date of invoice from KENT, regardless of whether the part has been in use or storage during that time.

2. Replacement Parts Not Covered by Warranty (Exclusions)

The following list enumerates some examples of replacement and repair parts NOT covered by KENT's warranty. Exclusions are not limited to this list, but problems listed are specifically excluded.

- TROUBLES CAUSED BY MODIFICATIONS TO THE PART THAT WERE NOT AUTHORIZED OR APPROVED BY KENT.
- TROUBLES CAUSED BY CONTAMINATION OF HYDRAULIC OIL, GREASE, OR OTHER FLUIDS.
- TROUBLES CAUSED BY FOREIGN MATERIALS INTRODUCED INTO THE SYSTEM.
- TROUBLES ATTRIBUTED TO THE USE OF PARTS OR ACCESSORIES OTHER THAN GENUINE KENT PRODUCTS, OR KENT APPROVED EQUALS.
- TROUBLES CAUSED BY OPERATING THE TOOL IN A MODE EXCEEDING THAT OF THE STATED DESIGN SPECIFICATIONS.
- DISCOLORATION AND/OR COSMETIC CHANGES IN THE COATINGS OR PLATING WHICH DEVELOP OVER A PERIOD OF TIME.
- TROUBLES THAT RESULT FROM IMPROPER STORAGE , HEAT, COLD, HUMIDITY, OR ENVIRONMENTAL CONTAMINATION.
- TROUBLES THAT RESULT FROM AGE OR DETERIORIZATION.
- TROUBLES THAT WERE EVIDENTLY INCURRED DURING THE TRANSPORTATION OF THE PRODUCT.



- REPLACEMENT OR REPAIR TO NORMAL WEAR PARTS, INCLUDING, BUT NOT LIMITED TO:
 - WORKING STEELS
 - RUBBER MOUNTS, PLUGS, AND HOSES
 - OILS AND GREASES
 - FILTERS
 - GASKETS, SEALS, AND PACKING
 - NUTS AND BOLTS
 - BOLT PROTECTORS
 - SIDE PLATES
 - DIAPHRAGMS
 - CHARGING VALVES
 - NITROGEN GAS
 - MOUNTING PINS
 - ANY PART NORMALLY EXPECTED TO WEAR DURING THE OPERATION OF THE TOOL.
- WHEN DAMAGED PARTS CANNOT BE PRESENTED TO KENT FOR EXAMINATION, EXCEPT WHEN, AND UPON THE DISCRETION OF KENT, PHOTOGRAPHIC EVIDENCE IS ALLOWED.
- TROUBLES WHOSE CAUSES ARE ENVIRONMENTAL, AND/OR BEYOND HUMAN CONTROL.

3. Claims, Compensation, and Remedies.

The purchaser's exclusive and sole remedy shall be limited to repair, modification, or replacement of the defective product, at the discretion of KENT. KENT shall not, in any event, be liable for the cost of any special, indirect, or consequential damages to anyone.

Merchandise may not be returned without the prior authorization of KENT, and any returns shall be accompanied by a completed Warranty Claim Form / Return Good Authorization.

Any claims allowed will be issued in the form of a credit to the dealer's account.

If the dealer uses parts from their own stock for treatment of a warranty claim, KENT retains the option to replace those parts, or pay to the dealer, the NET price of those parts, at KENT's discretion.

There shall be no allowance for freight charges beyond that of standard surface transportation charges. Freight charges must be authorized prior to shipment.

Labor charges for the repair, installation, and removal of warranted parts, or such costs as may be incurred during the submission of parts for warranty, are the sole responsibility of the dealer or of the end user.

Kent Tool Company
711 Lake Street
Kent, Ohio 44240
(800) 527-2282