

TELEHANDLER

MODELS

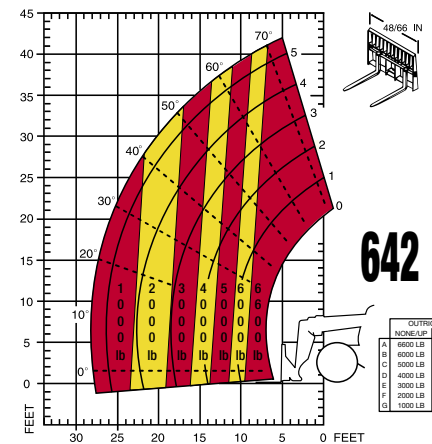
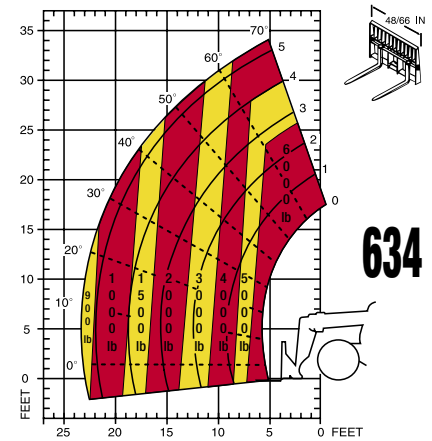
634, 642 and 844



SHOWN WITH
OPTIONAL EQUIPMENT

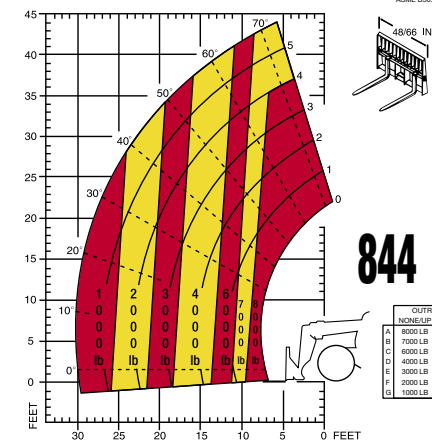


	Mustang 634	Mustang 642	Mustang 844
Capacities			
Lift			
Lift Capacity (kg)	6000 lbs. (2722)	6600 lbs. (2994)	8000 lbs. (3629)
Lift Height (m)	34' 3" (10.4)	42' (12.8)	44' (13.4)
Lift Capacity at			
Max. Lift Height (kg)	4000 lbs. (1814)	6600 lbs. (2994)	7000 lbs. (3175)
Max. Forward Reach (m)	23' 3" (7.0)	28' 3" (8.6)	30' 5" (9.3)
Lift Capacity at			
Max. Forward Reach (kg)	900 lbs. (408)	1000 lbs. (453)	1000 lbs. (453)
Max. Reach			
Below Ground (mm)	2' (610)	1' 2" (355)	1' 4" (406)
Engine			
Manufacturer	John Deere	John Deere	John Deere
Power (kW)	Std. 99 hp (74) Opt. 115 hp (86)	Std. 99 hp (74) Opt. 115 hp (86)	Std. 115 hp (86)
Aspiration			
Model	Turbo	Turbo	Turbo
Model	4045T	4045T	4045T
Components			
Transmission -			
Power Shift	Clark 3-Speed	Clark 3-Speed	Clark 3-Speed
Drive (Full-Time)			
Steering	4-Wheel	4-Wheel	4-Wheel
	2-Wheel, Crab	2-Wheel, Crab	2-Wheel, Crab
Brakes (4-wheel)			
Hydraulic	Internal Wet Disc	Internal Wet Disc	Internal Wet Disc
Parking Brake			
	SAHR (Spring Applied, Hydraulic Release)	SAHR (Spring Applied, Hydraulic Release)	SAHR (Spring Applied, Hydraulic Release)
Axle Manufacturer			
	Dana	Dana	Dana
Hydraulic System			
Boom Control			
	Pilot-Operated Joystick	Pilot-Operated Joystick	Pilot-Operated Joystick
Fork Tilt Control			
	Pilot-Operated Joystick	Pilot-Operated Joystick	Pilot-Operated Joystick
Frame Level Control			
	Pilot-Operated Joystick	Pilot-Operated Joystick	Pilot-Operated Joystick
Auxiliary Control			
	Pilot-Operated Lever	Pilot-Operated Lever	Pilot-Operated Lever
Outrigger Control			
	N/A	Dual Levers	Dual Levers
Specifications			
Approx. Weight (kg)	15,100 lbs. (6850)	22,000 lbs. (9979)	23,500 lbs. (10,660)
Length - Less forks (m)	16' (4.9)	19' 1" (5.82)	19' 10" (6.05)
Width (m)	7' 10" (2.4)	8' 2" (2.5)	8' 2" (2.5)
Ground Clearance (mm)	1' 2" (355)	1' 4" (406)	1' 4" (406)
Wheel Base (m)	9' 2" (2.8)	9' 11.5" (3.03)	9' 11.5" (3.03)
Turning Radius (m)	12' 6" (3.8)	13' 8" (4.17)	13' 8" (4.17)
Overall Height (m)	7' 10" (2.4)	7' 11" (2.4)	7' 11" (2.4)
Frame Leveling			
	±10°	±10°	±10°
Fuel Capacity (L)			
	29 gal. (110)	47 gal. (178)	47 gal. (178)
Hydraulic Oil Reservoir			
Capacity (L)	35 gal. (133)	47 gal. (178)	47 gal. (178)
Additional Options:			
	All-Weather Cab, Air Conditioning, Lights, Tire Options, Cold Start Kit, Clutch Cut-Out, Aux. Hydraulics, Special Paint	All-Weather Cab, Lights, Tire Options, Cold Start Kit, Clutch Cut-Out, Aux. Hydraulics, Special Paint, Work Platform System, Outrigger Package and Centrifugal Precleaner Package	All-Weather Cab, Lights, Tire Options, Cold Start Kit, Clutch Cut-Out, Aux. Hydraulics, Special Paint, Work Platform System, Outrigger Package and Centrifugal Precleaner Package



OUTRIGGERS	
NONE-UP	DOWN
A	6000 LB
B	4000 LB
C	3000 LB
D	4000 LB
E	3000 LB
F	2000 LB
G	1000 LB

Chart based on a 24" load center per ASME B56.6-2002



OUTRIGGERS	
NONE-UP	DOWN
A	8000 LB
B	7000 LB
C	6000 LB
D	4000 LB
E	3000 LB
F	2000 LB
G	1000 LB

Chart based on a 24" load center per ASME B56.6-2002

CONTACT YOUR MUSTANG DEALER TODAY!



MUSTANG
www.mustangmfg.com

1880 Austin Road
Owatonna, MN 55060-0547
507-451-7112 Fax: 507-451-8209

SAFETY IS NO ACCIDENT. Mustang Manufacturing Company reminds you that before operating any piece of equipment, be sure to read and understand the operator's manual. U.S. OSHA regulations require that forklift operators be trained and certified. Additionally, be sure all safety devices and shields are securely in place and functioning properly. Mustang Manufacturing Company reserves the right to make changes in specifications and add improvements at any time without notice or obligation.

© 2004 Mustang Manufacturing Company, Inc.
All Rights Reserved.
TEL 634/642/844 Rev. 2/2005 Printed in the U.S.A.