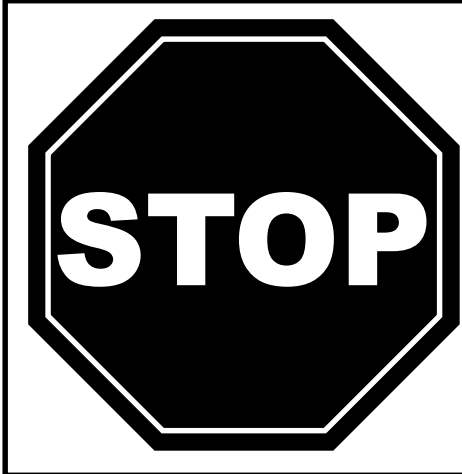



**OWNERS MANUAL
 PROPANE PATIO HEATERS
 Models
 SPC-54PHW, SPC-54PHB, SPC-54PHT SPC-55PHS**



**QUESTIONS?
 MISSING / DAMAGED PARTS**

Please do not return this product to the store.
 If a part is damaged or missing, simply e-mail us at php@allpro-heaters.com, or visit our website at <http://allpro-heaters.com>, or call our Customer Service Department at (888) 619-7060. We will be happy to assist you!
 You can register your heater on line at <http://allpro-heaters.com/warranty>.

TABLE OF CONTENTS

HEATER SPECIFICATIONS	2
 WARNINGS	2
SAFETY PRECAUTIONS	3
OPERATING PRECAUTIONS	3
ODOR FADE WARNING	4
ASSEMBLY INSTRUCTIONS	5
OPERATING INSTRUCTIONS	10
SERVICING	10
SPC-54PHW /SPC-54PHB/SPC-54PHT- PARTS	11
SPC-55PHS - PARTS	12
WARRANTY	13
SERVICE CENTERS	13
INSTRUCTIONS FOR ORDERING PARTS	13
WARRANTY REGISTRATION	15

RETAIN THESE INSTRUCTIONS FOR FUTURE REFERENCE

Models
SPC-54PHW SPC-54PHB SPC-54PHT SPC-55PHS

HEATER SPECIFICATIONS

Type of Gas:	For use with Propane Only	
Gas Supply Pressure to regulator regulator out	Maximum: 150 psig (1034.2 kPa) 11" W.C. (2.74 kPa)	Minimum: 5 psig (34.5 kPa)
Ignition:	Piezoelectric Pilot Ignitor	
Flame Safety:	Thermocouple Operated Gas Valve	
Model:	SPC-54PHW /SPC-54PHB/SPC-54PHT	SPC-55PHS
Rating:	40,000 BTU/hr (11.7 kW)	40,000 BTU/hr (11.7 kW)
Consumption:	1.86 lbs./hr (.84 kg/hr)	1.86 lbs./hr (.84 kg/hr)

 **WARNINGS**

YOUR SAFETY IS IMPORTANT TO YOU AND TO OTHERS, SO PLEASE READ THESE INSTRUCTIONS BEFORE YOU OPERATE THIS HEATER.



GENERAL HAZARD WARNING:

FAILURE TO COMPLY WITH THE PRECAUTIONS AND INSTRUCTIONS PROVIDED WITH THIS HEATER, CAN RESULT IN DEATH, SERIOUS BODILY INJURY AND PROPERTY LOSS OR DAMAGE FROM HAZARDS OF FIRE, EXPLOSION, BURN, ASPHYXIATION, CARBON MONOXIDE POISONING, AND/OR ELECTRICAL SHOCK.

ONLY PERSONS WHO CAN UNDERSTAND AND FOLLOW THE INSTRUCTIONS SHOULD USE OR SERVICE THIS HEATER.

IF YOU NEED ASSISTANCE OR HEATER INFORMATION SUCH AS AN INSTRUCTIONS MANUAL, LABELS, ETC. CONTACT THE MANUFACTURER.



WARNING: NOT FOR HOME OR RECREATIONAL VEHICLE USE



WARNING: FIRE, BURN, INHALATION, AND EXPLOSION HAZARD. KEEP SOLID COMBUSTIBLES, SUCH AS BUILDING MATERIALS, PAPER OR CARDBOARD, A SAFE DISTANCE AWAY FROM THE HEATER AS RECOMMENDED BY THE INSTRUCTIONS NEVER USE THE HEATER IN SPACES WHICH DO OR MAY CONTAIN VOLATILE OR AIRBORNE COMBUSTIBLES, OR PRODUCTS SUCH AS GASOLINE, SOLVENTS, PAINT THINNER, DUST PARTICLES OR UNKNOWN CHEMICALS.

Scheu Products Company, Incorporated
Mail: P.O. Box 250, Upland, CA 91785
Plant: 8855 Baker Ave., Rancho Cucamonga, CA 91730
Telephone: 800-325-7057
www.scheuco.com
customerservice@scheuco.com

8764
September 2003

Models

SPC-54PHW SPC-54PHB SPC-54PHT SPC-55PHS

OPERATING PRECAUTIONS

This is a propane, direct-fired heater.

Propane is heavier than air. If propane leaks from a connection or fitting, it sinks to the floor, collecting there with the surrounding air, forming a potentially explosive mixture. Obviously, propane leaks should be avoided, so set up the propane supply with utmost care. Read enclosed Odor Fade and Propane Sheet for additional information about detecting propane leaks. Leak check new connections or reconnections with a soap and water solution and follow all connection instructions herein. Also, ask your propane dealer for advice on the propane application and supply installation and ask him to check it if there are any questions.

Direct-Fired means that all of the combustion products enter the heated space. Even though this heater operates very close to 100 percent combustion efficiency, it still produces small amounts of carbon monoxide. Carbon monoxide (called CO) is toxic. We can tolerate small amounts but not a lot. CO can build up in a heated space and failure to provide adequate ventilation could result in death. The symptoms of inadequate ventilation are:

headache	dizziness
burning eyes and nose	nausea
dry mouth or sore throat	

So, be sure to follow advice about ventilation in these operating instructions.

When the heater is to be operated in the presence of other people the user is responsible for properly acquainting those present with the safety precautions and instructions, and of the hazards involved.

SAFETY PRECAUTIONS

1. Check the heater thoroughly for damage. DO NOT operate a damaged heater.
2. DO NOT modify the heater or operate a heater which has been modified from its original condition.
3. Use only propane gas.
4. Use only VAPOR WITHDRAWAL propane supply. The propane cylinder must be arranged for vapor-withdrawal, in accordance with the Compress Gas Associations, Small Propane Bottle Assembly. If there is any question about vapor withdrawal, ask your propane dealer.
5. Never use the heater if the ballast weight is not assembled onto the base. The base must be weighted to avoid tipping.
6. **IMPORTANT.** Use only the hose and regulator assembly provided with the heater. Match the color stripe on the hangtag attached to the hose assembly with the color on the label located near the propane inlet fitting on the heater. Inspect hose assembly before each use of the heater. If there is excessive abrasion or wear, or hose is cut, replace with hose assembly listed on parts list before using heater.
7. This heater is for **OUTDOOR USE ONLY**, even so, make sure that there is ample fresh air ventilation. Do not use in buildings, garages or other enclosed spaces.
8. If at any time gas odor is detected, IMMEDIATELY DISCONTINUE operation until the source of gas has been located and corrected. Read enclosed Odor Fade and Propane Sheet for additional information about detecting propane leaks.
9. Install the heater such that it is not directly exposed to water spray, rain and/or dripping water.
10. Maintain minimum clearance to people or normal combustible material (like paper) of 3.6 ft. (1100mm) from top and 2 ft. (609mm) from the reflector.
11. Due to the high surface and exhaust temperatures, adults and children must observe clearances to avoid burns or clothing ignition.
12. Operate only on a stable, level surface.
13. Do not hang or attach clothing or any other combustible materials from, on or near the heater.
14. Do not spray aerosols near the heater during use or shortly thereafter.
15. Do not clean heater with combustible or corrosive cleaners. Use warm, soapy water.
16. Check control compartment burners and circulation air passageways for free air passage, make sure that there are no obstructions. These areas are a common location for spider webs, which can present a dangerous condition, damage the heater and render it unsafe for use. The heater must be checked if any of the following conditions exist:
 - a) Gas smell along with predominate yellow tipping of the burner.
 - b) Heater does not reach temperature.
 - c) Uneven burner glow.
 - d) Burner makes popping noises during normal use, other than during shutdown.
17. Use only soapy water (1-part liquid dishwashing detergent to 3-parts water) to conduct Leak Tests whenever a propane cylinder is connected. Bubbles indicate a leak.
18. Do not adjust gas regulator. If you are unsure of your appliances gas type or pressure, call out a gas fitter or plumber.
19. Place the control knob on "OFF" position when heater is not in use.
20. Always disconnect the gas supply after the heater is turned "OFF".
21. Care must be taken for the supervision of children and animals in the vicinity of an operating heater.
22. Do not move, handle or service while hot or burning.
23. Allow 45 minutes to cool down after use before attempting to move heater.
24. Do not operate this appliance in windy conditions. Maximum allowable wind speed is 10MPH (16Km/h).
25. Do not operate this appliance in temperature conditions below 40°F (5°C).
26. Keep heater away from areas where flammable liquids, vapors or solids are stored or used.
27. If operated in salt air environments, the unit will require more frequent cleaning; otherwise, the longevity of the unit will deteriorate rapidly. Use warm soapy water to clean the unit.
28. Items or material, when stored under the heater, will be subjected to radiant heat and could be seriously damaged.
29. Use only in accordance with local codes, or in the absence of local codes, with the National Fuel Gas Code ANSI Z223.1.

Warning: For Outdoor Use Only

Models

SPC-54PHW SPC-54PHB SPC-54PHT SPC-55PHS

ODOR FADE WARNING



WARNING **Asphyxiation Hazard**

- Do not use this heater for heating human living quarters.
- Do not use in unventilated areas.
- The flow of combustion and ventilation air must not be obstructed.
- Proper ventilation air must be provided to support the combustion air requirements of the heater being used.
- Refer to the specification section of the heater's manual,

heater dataplate, or contact the *Scheu Products Company* to determine combustion air ventilation requirements of the heater.

- Lack of proper ventilation air will lead to improper combustion.
- Improper combustion can lead to carbon monoxide poisoning leading to serious injury or death. Symptom of carbon monoxide poisoning can include headaches, dizziness and difficulty in breathing.

FUEL GAS ODOR

LP gas and natural gas have man-made odorants added specifically for detection of fuel gas leaks.

If a gas leak occurs you should be able to smell the fuel gas. Since Propane (LP) is heavier than air you should smell for the gas odor low to the floor. ANY GAS ODOR IS YOUR SIGNAL TO GO INTO IMMEDIATE ACTION!

- Do not take any action that could ignite the fuel gas. Do not operate any electrical switches. Do not pull any power supply or extension cords. Do not light matches or any other source of flame. Do not use your telephone.
- Get everyone out of the building and away from the area immediately.
- Close all propane (LP) gas tank or cylinder fuel supply valves, or the main fuel supply valve located at the meter if you use natural gas.
- Propane (LP) gas is heavier than air and may settle in low

areas. When you have reason to suspect a propane leak, keep out of all low areas.

- Use your neighbor's phone and call your fuel gas supplier and your fire department. Do not re-enter the building or area.
- Stay out of the building and away from the area until declared safe by the firefighters and your fuel gas supplier.
- **FINALLY**, let the fuel gas service person and the firefighters check for escaped gas. Have them air out the building and area before you return. Properly trained service people must repair any leaks, check for further leakages, and then relight the appliance for you.

ODOR FADING - NO ODOR DETECTED

- Some people cannot smell well. Some people cannot smell the odor of the man-made chemical added to propane (LP) or natural gas. You must determine if you can smell the odorant in these fuel gases.
- Learn to recognize the odor of propane (LP) gas and natural gas. Local propane (LP) gas dealers will be more than happy to give you a scratch and sniff pamphlet. Use it to become familiar with the fuel gas odor.
- Smoking can decrease your ability to smell. Being around an odor for a period of time can affect your sensitivity to that particular odor. Odors present in animal confinement buildings can mask fuel gas odor.

- **The odorant in propane (LP) gas and natural gas is colorless and the intensity of its odor can fade under some circumstances.**
- If there is an underground leak, the movement of gas through the soil can filter the odorant.
- Propane (LP) gas odor may differ in intensity at different levels. Since Propane (LP) gas is heavier than air, there may be more odor at lower levels.
- **Always be sensitive to the slightest gas odor.** If you continue to detect any gas odor, no matter how small, treat it as a serious leak. Immediately go into action as discussed previously.

ATTENTION - CRITICAL POINTS TO REMEMBER!

- Propane (LP) gas has a distinctive odor. Learn to recognize these odors. (Reference Fuel Gas Odor and Odor Fading sections above.)
- Even If you are not properly trained in the service and repair of the heater, **ALWAYS** be consciously aware of the odors of propane (LP) gas and natural gas.
- If you have not been properly trained in repair and service of propane (LP) gas then do not attempt to light heater, perform service or repairs, or make any adjustments to the heater on the propane (LP) gas fuel system.

- A periodic sniff test around the heater or at the heater's joints; i.e. hose, connections, etc., is a good safety practice under any conditions. If you smell even a small amount of gas, **CONTACT YOUR FUEL GAS SUPPLIER IMMEDIATELY. DO NOT WAIT!**

Models SPC-54PHW SPC-54PHB SPC-54PHT SPC-55PHS

ASSEMBLY INSTRUCTIONS

TOOLS REQUIRED:

- | | |
|-----------------------------|---|
| #2 Philips Head Screwdriver | 1 |
| Crescent Wrench | 2 |



Figure 1

Components are packed in two cartons. Following is listing of packaged components:

BOX 1 OF 2

- | | |
|------------------------------|---|
| Burner and Control Assembly | 1 |
| Base w/wheel kit ass'y | 1 |
| Legs | 3 |
| Pole Support | 1 |
| LP Cylinder Cover | 1 |
| Ballast Weight | 1 |
| Hardware Bag | 1 |
| Battery (for SPC-55PHS only) | 1 |
| Owners Manual | 1 |

BOX 2 OF 2

- | | |
|----------------|---|
| Dome | 1 |
| Pole | 1 |
| Manifold Ass'y | 1 |

Hardware Bag consists of the following: (Figure 1)

- | | |
|-----------------------|----|
| Large Bolts | 12 |
| Large Nuts | 12 |
| Lock Washers | 12 |
| Cap Nuts | 3 |
| Small Bolts | 3 |
| Manifold Fixing Plate | 1 |
| Medium Bolts | 1 |
| Long Bolt | 1 |
| Large Lock Washer | 1 |
| Large Nut | 1 |
| Hex Allen Wrench | 1 |



Figure 2

Step 1

Attach legs to base using (2) Large Bolts, (2) Lock Washers and (2) Large Nuts per leg. Finger tight only. Do not fully tighten until **Step 2**.

Models
SPC-54PHW SPC-54PHB SPC-54PHT SPC-55PHS
ASSEMBLY INSTRUCTIONS



Figure 3

Step 2

Secure Pole Support to Legs using (6) Large Bolts, (6) Lock Washers and (6) Large Nuts per leg. Wrench tighten the nuts and bolts from Step 1. (Figure 3)



Figure 4

Step 3

Attach Ballast Weight to Base using (1) Long Bolt, (1) Large Lock Washer and (1) Large Nut. (Figure 4)



Figure 5

Step 4

Insert Manifold into Pole Support (Figure 5 & 6). Insert the Manifold Assembly through the Post by passing through the hole in the Post Support.

NOTE: Make sure the hose and regulator assembly attached to the manifold is never bent or kinked during the installation and operation of the heater.



Figure 6

Models
SPC-54PHW SPC-54PHB SPC-54PHT SPC-55PHS
ASSEMBLY INSTRUCTIONS



Figure 7

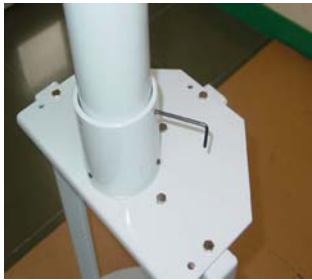


Figure 8

Step 5

Attach Pole to Pole Support (Figure 7 & 8). Place Pole into the Pole Support center connector. Then tighten (6) Set Screws with Hex Allen wrench supplied with heater.

NOTE: (6) set screws are threaded inside post support.



Figure 9

Step 6

Put LP Cylinder Cover on Base Assembly (Figure 9). Slide LP Cylinder Cover over Pole and Pole Support. Be sure that the LP Cylinder Cover rests level on the base.



Figure 10

Step 7

Attach Manifold to Burner & Control Assembly (Figure 10). The connection between the fuel line to the burner is a quick connect connection type. Follow these steps to assemble:

1. Pull the manifold out of the top end of the pole.
2. Slide/move the quick connect collar of the manifold to the back.
3. Attach the manifold to the burner and control assembly by pushing the burner and control assembly connection all the way through the manifold.
4. Make sure the manifold and burner assembly snap in properly.
5. Release the quick connect collar of the manifold that was slid to the back in step (2).
6. Place the burner and control assembly onto the pole.

Models
SPC-54PHW SPC-54PHB SPC-54PHT SPC-55PHS

ASSEMBLY INSTRUCTIONS

Step 9 FIRST ASSEMBLY CHECK FOR LEAKS

The heater must be leak tested before any further assembly is done. Use only a soap and water solution.
DO NOT USE FLAME.

Turn the Control Knob to the "OFF" position. Securely connect the Regulator to the Propane Gas Cylinder. Open the Propane Cylinder valve. Apply a dishwashing soap (1-part) and water solution (3-parts) to the connection at the Manifold and Burner & Control Assembly. Bubbles will form if the connection is leaking. In the case of any leaks, turn off the Propane Cylinder valve, remove the Manifold, and check and clean connection. Reconnect the Manifold and leak test again. If the leak persists, do not return heater to the store. Please call toll-free 1-888-619-7060 or e-mail technicalservice@allpro-heaters.com for assistance and advice.

Upon completion of the leak test, and there is no sign of a leak, turn off the Propane Cylinder Valve and disconnect the Regulator from the Propane Gas Cylinder then remove the Propane Gas Cylinder and continue to the next step.



Figure 11

Step 9

Attach Pole to Burner & Control Assembly (Figure 11). Align the 3 holes; insert (3) small bolts and tighten using #2 Philips head screwdriver.



Figure 12

Step 10

Attach Manifold fixing plate to Pole Support (Figure 12).

1. Look underneath post support. There will be a threaded hole to mount manifold fixing plate.
2. Align the holes on manifold fixing plate with the threaded holes on the pole support.
3. Make sure manifold fixing plate is facing downward. (Figure 12).
4. Use (1) medium bolt to tighten manifold fixing plate with the post support using #2 Philips head screwdriver.
5. Turn the manifold fixing plate so it will hold the manifold in place.
6. Tighten the medium bolt so the manifold fixing plate will not move.
7. Slide cylinder cover into place.

Models
SPC-54PHW SPC-54PHB SPC-54PHT SPC-55PHS

ASSEMBLY INSTRUCTIONS



Figure 13

Step 11

Attach Dome to Emitter (Figure 13).

Gently lay Heater Assembly on its side using one of the shipping styrofoam inserts to prop up the top half of the heater. Align holes in Dome with threaded studs in Emitter Cover. Secure Dome to Emitter using (3) Cap Nuts and tighten them with an adjustable wrench. Stand the heater upright.



Figure 14

Step 12
FOR SPC-55PHS ONLY

Battery installation (Figure 14)

Battery is only provided for SPC-55PHS inside the hardware bag.

1. Look at the front panel of the burner/control assembly and locate the red button.
2. Turn the red button counter clockwise.
3. Install the battery in the burner/control assembly with the flat surface of the battery inside the unit.
4. Install the red button and make sure it is mounted tightly.
5. Push the red button. You should hear a ticking sound. If not, repeat step 1 through 4.

Models

SPC-54PHW SPC-54PHB SPC-54PHT SPC-55PHS

WARNING: FOR YOUR SAFETY

If you smell gas*:

1. Shut off gas to the appliance.
2. Extinguish any open flames.
3. If odor continues, immediately call your gas supplier.

*See fuel safety precautions on page 2 of this manual for more information.

OPERATING INSTRUCTIONS

PREPARING FOR OPERATION

1. Check the heater for possible shipping damage. If any is found, *immediately* notify the factory.
2. Follow all of the "Precautions".
3. Check and assure the control knob is on "OFF" position.
4. Place the gas cylinder inside the Cylinder Base, and securely connect the regulator to the propane gas cylinder.
5. Turn the cylinder valve on. Apply a dishwashing soap (1 part) and water (3 parts) solution to the connection at the regulator and cylinder. Bubbles will form if the connection is leaking.
6. In case of any leaks, turn off the propane cylinder valve, undo the leaking connection and check & clean the connection. Reconnect the regulator and leak test again. If the leak persists, do not return heater to the store. Please call toll-free **1-888-619-7060** or e-mail technicalservice@allproheater.com for assistance and advice.

START

1. To light the pilot, the first step is to purge the gas line leading to the pilot assembly. Press and turn the control knob to "HIGH" position and keep it depressed in for 1 to 2 minutes. **NOTE:** When a new or refilled gas cylinder is installed, the heater will need to be purged again.
2. To light the pilot:
 - a) Press the control knob and turn to the "PILOT" position.
 - b) Hold the control knob in and press the ignition button until the pilot lights.
 - c) Keep the control knob depressed for 30 seconds to heat the thermocouple.
 - d) Release the control knob and the pilot should stay lit.**Note:** To visually check the ignition of the pilot, slide the viewing hole cover to either side.
- e) Once the pilot flame stays on, close the viewing hole cover. **CAUTION:** Do not attempt to slide the viewing hole cover when the main burner is lighting, operating or hot.
3. Set the heat level.
 - a) Press and turn the control knob to "HIGH" position, the burner will light immediately.
 - b) Press and turn the control knob to the desired heat level. **Note:** While in use, the burner flame should be mainly blue in appearance with a small amount of yellow.

Smoke and odor (not a gas odor) emission may occur in the first 15 minutes of use. Run heater at high setting for at least 15 minutes to eliminate this problem.

WARNING: If you smell gas while in use, immediately press and turn the control knob to "OFF" position to shutdown the heater.

STOP

1. Press and turn the control knob to "PILOT" position, the burner will extinguish but the pilot will stay on.
2. To extinguish the pilot, press and turn the control knob to "OFF" position.
3. Turn off gas supply.
4. Do not attempt to relight the heater for 5 minutes after the LP cylinder valve has been closed.

RESTART AFTERSAFETYSHUTDOWN

1. Turn the gas control knob to "OFF" position.
2. Wait 5 minutes.
3. Restart following "Start" procedure.

STORAGE

1. Allow at least 45 minutes for the heater to cool down after using.
2. Store the heater upright in a sheltered area away from inclement weather and dust.
3. If desired, cover the heater after the heater has cooled.
4. If the heater is not to be used for an extended period of time, disconnect and remove the Propane Gas Cylinder and store in accordance with the "Standard for Storage and Handling of Liquefied Petroleum Gases", ANSI/INFPA 58.

SERVICING

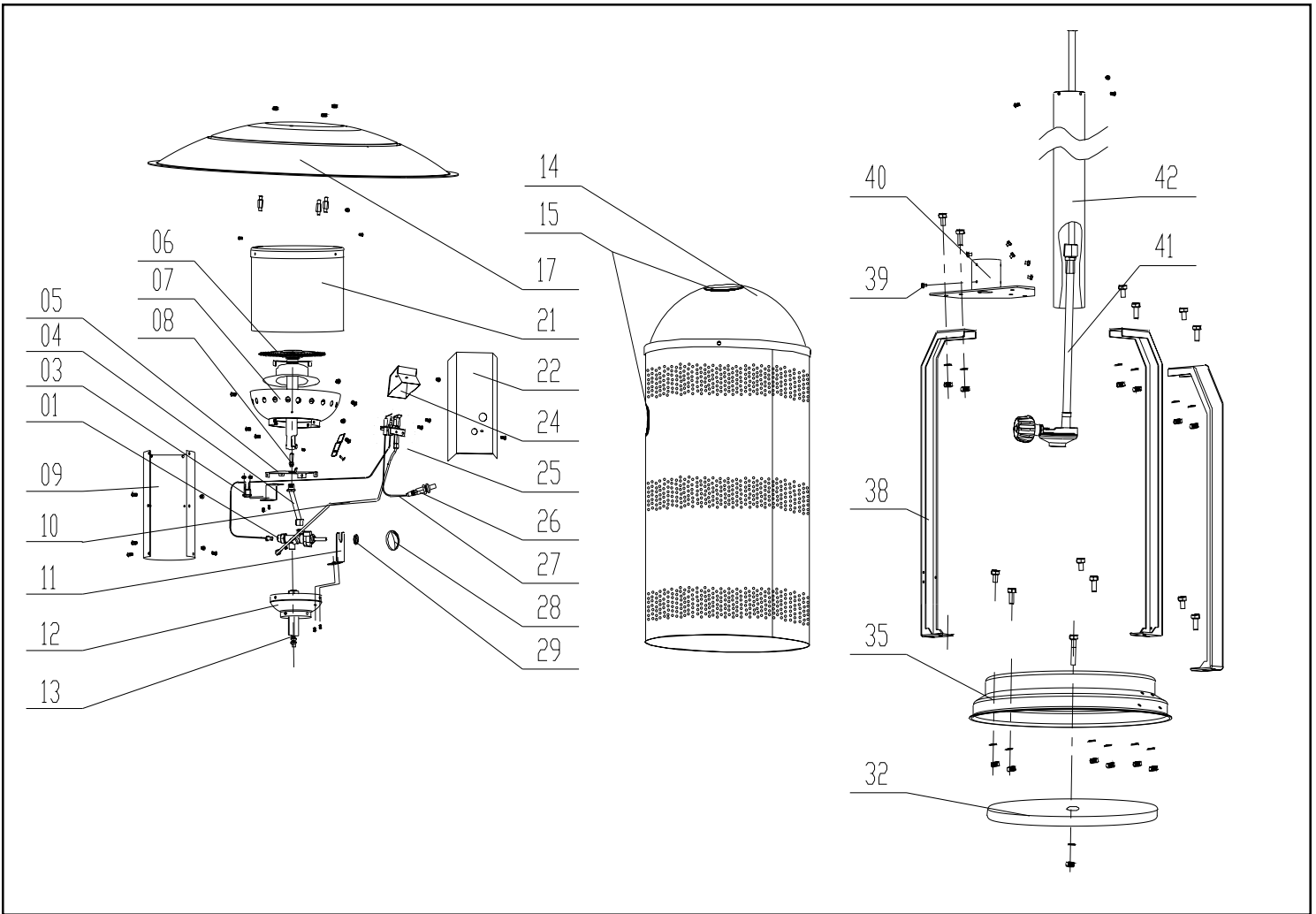
To assure safety, proper function and longevity of the heater, regular maintenance is required. The frequency of maintenance will depend on the usage of the unit. Review the following concerning the criteria for a properly functioning heater. Failing to follow proper, regular maintenance will void warranty.

A hazardous condition may result if a heater is used that has been modified or is not functioning properly. When the heater is working properly:

- * The flame is contained within the heater.
- * The flame is essentially blue with perhaps some yellow tipping.
- * There is no strong disagreeable odor, eye burning or other physical discomfort.
- * There is no smoke or soot internal or external to the heater.
- * There are no unplanned or unexplained shut downs of the heater.

The parts lists and wiring diagram show the heater as it was constructed. Do not use a heater which is different from that shown. In this regard, use only the hose, regulator and cylinder connection fitting (called a POL fitting) supplied with the heater. **IMPORTANT** Match the color stripe on the hangtag attached to the hose assembly with the color on the label located near the propane inlet fitting on the heater. Do not use alternates. For this heater, the regulator must be set as shown in "specifications". If there is any uncertainty about the regulator setting, have it checked. A heater which is *not* working right must be repaired, but *only* by a trained, experienced service person. To find the service center closest to you, visit our website at www.scheuco.com or call (888) 619-7060. You may also obtain in-warranty or out-of-warranty service by taking the product to your local service center. In-warranty products will be repaired with no charge for either parts or labor. Please include a brief statement indicating date, place of purchase, the nature of the problem and proof of purchase. Out-of-warranty products will be repaired with a charge for parts and labor.

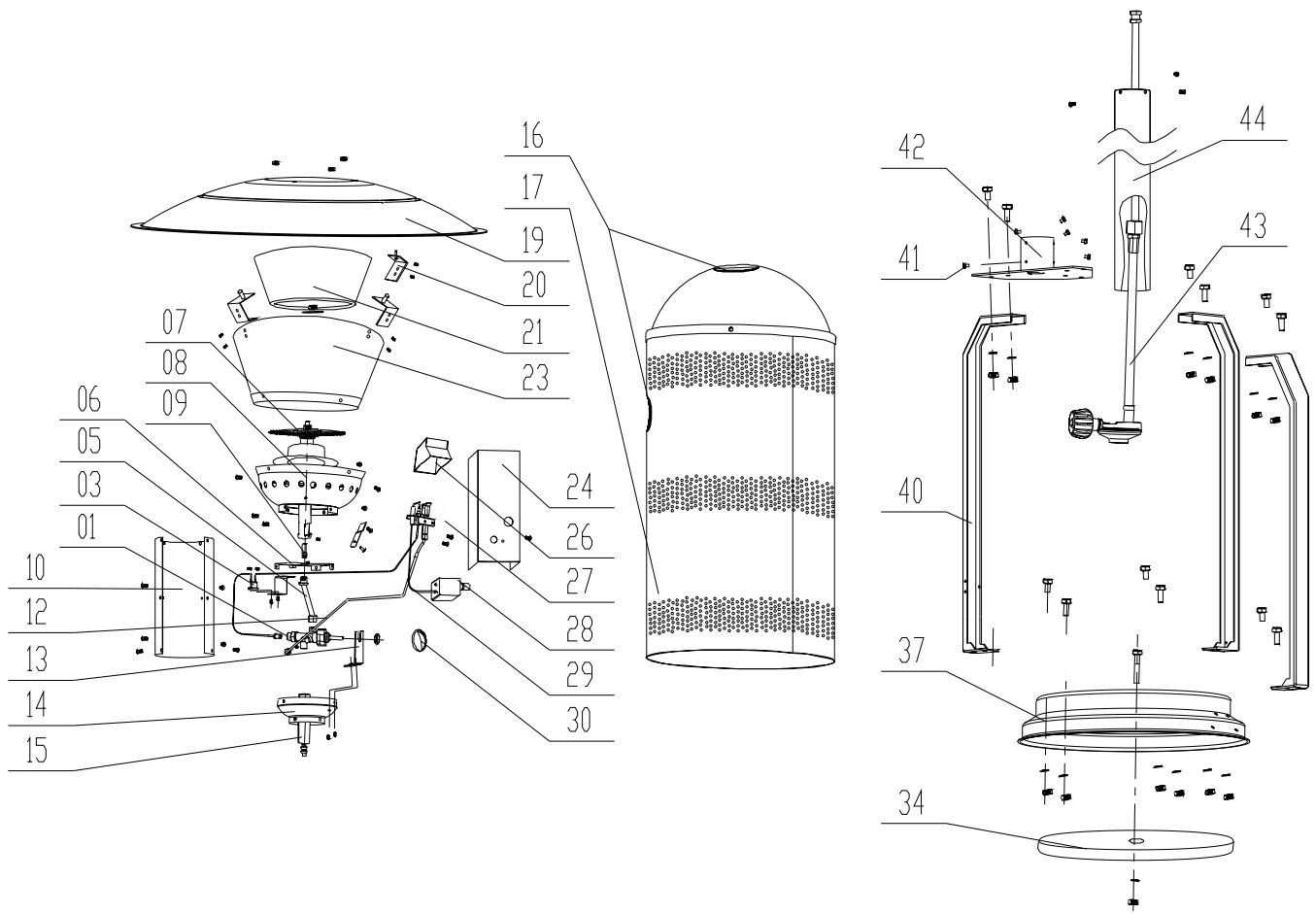
SPC-54PHW SPC-54PHB SPC-54PHT-- PARTS



Item	Part No.	Description	Qty.	Item	Part No.	Description	Qty.
1	8603	Valve	1	29	8580	Nut - 1, G1/4	
*	8604	Bolt, 1/8-40	2	*	8583	Nut, M10	1
3	8605	Tip Switch	1	*	8584	Lock Washer, Ø = 10	1
4	8607	Fuel Tube	1	32	8585	Ballast Plate	1
5	8608	Adiabatic Plate	1	*	8586	Nut, 1/4-20	12
6	8708	Mushroom Burner Assembly	1	*	8587	Lock Washer, Ø = 6	12
7	8616	Burner Cover Bottom	1	35	8625	Base (White)	1
8	8611	Orifice, Main Burner	1		8625T	Base (Bronze)	
9	8602	Valve Housing Cover	1		8587	Base (Black)	
10	8600	Pilot Tube	1	*	8589	Carriage Bolt	1
11	8599	Bracket, Valve Mtg	1	*	8590	Bolt, 1/4-20	12
12	8598	Valve Cover Base	1	38	8690	Base Legs (White)	3
13	8597	Fuel Line Adaptor	1		8690T	Base Legs (Bronze)	
14	2209	Tank Cover Assembly (White)	1		8591	Base Legs (Black)	
	2209B	Tank Cover Assembly (Black)		39	8592	Set Screws, 1/4-20	6
	2209T	Tank Cover Assembly (Bronze)		40	8691	Pole Support (White)	1
15	8705	Guards, Rubber Handle	1		8691T	Pole Support (Bronze)	
*	8567	Nut, M8	6		8593	Pole Support (Black)	
17	8617	Reflector	1	41	2242	Manifold (fuel line), hose, regulator	1
*	8618	Bolt, Bi-Convex	3	42	8626	Pole (White)	1
*	8601	Bolt, 3/16-24	23		8626B	Pole (Black)	
21	2241	Emitter Assembly	1		8626T	Pole (Bronze)	
22	8573	Front Cover Panel	1	*	8596	Bolt, 3/16-24	3
*	8574	Bolt, 3/16-24	2	*	8764	Instructions & Parts List	1
24	8575	Shield, Pilot Wind	1	*	8630	Label, Operating Instruction	1
25	8576	Pilot Ass'y (electrode, pilot, thermocouple)	1	*	8628	Label, Model SPC-54	1
26	6473**	Ignitor, piezo	1	*	8627	Label, Warning	1
27	8578	Ignition Wire	1	*	8692	Wheel Assembly	1
28	8579	Knob	1	*	8698	Nut and Bolt Pack	1

*Items not shown in exploded view

SPC-55PHS - PARTS



Item	Part No.	Description	Qty.	Item	Part No.	Description	Qty.
1	8603	Valve	1	27	8576	Pilot (electrode, pilot, thermocouple)	1
*	8604	Bolt, 1/8-40	2	28	8577	Pulse Ignitor	1
3	8605	Tip Switch	1	29	8578	Ignition Wire	1
*	8606	Nut, 1/8-40	2	30	8579	Knob	1
5	8607	Fuel Tube	1	*	8580	Nut - 1, G1/4	1
6	8608	Adiabatic Plate	1	*	8583	Nut, M10	1
7	8609	Mushroom Burner Ass'y	1	*	8584	Lock Washer, Ø = 10	1
8	8610	Burner Cover Bottom	1	34	8585	Ballast Plate	1
9	8611	Orifice, Main Burner	1	*	8586	Nut, 1/4-20	12
10	8602	Valve Housing Cover	1	*	8587	Lock Washer, Ø = 6	12
*	8601	Bolt, 3/16-24	6	37	8588	Base	1
12	8600	Pilot Tube	1	*	8589	Carriage Bolt	1
13	8599	Bracket, Valve Mtg	1	*	8590	Bolt, 1/4-20	12
14	8598	Valve Cover Base	1	40	8591	Base Legs	3
15	8597	Fuel Line Adaptor	1	41	8592	Set Screws, 1/4-20	6
16	8705	Guards, Rubber Handle	1	42	8593	Pole Support	1
17	2208	Tank Cover Ass'y	1	43	2243	Manifold (fuel line, hose, regulator)	1
*	8567	Nut, M8	6	44	8595	Pole	1
19	8617	Reflector	1	*	8596	Bolt, 3/16-24	3
20	8569	Reflector Support	3	*	8764	Instructions & Parts List	1
21	8570	Heat Insulator	1	*	8628	Label, Operating Instruction	1
*	8571	Bolt, 5/32-32	6	*	8631	Label, Model SPC-55	1
23	2244	Emitter Ass'y	1	*	8627	Label, Warning	1
24	8572	Front Cover Panel	1	*	8693	Wheel Ass'y	1
*	8574	Bolt, 3/16-24	2	*	8699	Nut and Bolt Pack	1
26	8575	Shield, PilotWind	1				

*Items not shown in exploded view

Models

SPC-54PHW SPC-54PHB SPC-54PHT SPC-55PHS

WARRANTY

We are pleased that you have selected our product and take this opportunity to assure you that qualified service facilities are available if required. With the cooperation of independent dealers, a nationwide network of authorized servicing dealers is available for your servicing requirements.

Should your product require servicing, read the section of the manual entitled "Servicing".

Who gets the warranty? The warranty is limited to the consumer who originally purchases the product.

What is covered? This limited warranty covers all imperfections in workmanship and material.

What is not covered? This limited warranty does not cover damage resulting from accident, misuse or abuse, lack of proper maintenance, affixing of any attachments not provided with the products, or loss of parts. IN NO EVENT SHALL SCHEU PRODUCTS COMPANY BE LIABLE FOR ANY SPECIAL, INCIDENTAL OR CONSEQUENTIAL DAMAGES NOR FOR ANY DAMAGES RESULTING FROM MISUSE OR MODIFICATION OF THIS PRODUCT.

Registering this heater within 10 days of date of purchase ensures the buyer the protection as stated on our limited warranty form.

LIMITED WARRANTY

The company warrants this product to be free from imperfections in material or workmanship, under normal and proper use in accordance with instructions of the operation manual, for a period of ONE YEAR FOR RESIDENTIAL HOME OWNER USAGE or 90 DAYS FOR COMMERCIAL/INDUSTRIAL USAGE from the date of delivery to the buyer. The Company, at its option, will repair or replace (f.o.b. factory, California) products returned by the buyer to the California factory, transportation prepaid within said one year period for residential home owner usage or 90 days period for commercial/industrial usage and found by the Company to have imperfections in material or workmanship.

If a part is damaged or missing, simply e-mail us at php@scheuco.com, visit our website at scheuco.com, or call our Technical Support Department at (888) 619-7060.

Address any Warranty Claims to the Customer Service Department, Scheu Products Company, Incorporated, P.O. Box 250, Upland, California 91785, or e-mail us at php@scheuco.com. Include your name, address and telephone number and include details concerning the claim. Also, supply us with the purchase date and the name and address of the dealer from whom you purchased our product.

The foregoing is the full extent of the responsibility of the Company. There are no other warranties, express or implied. Specifically there is no warranty of fitness for a particular purpose and there is no warranty of merchantability. In no event shall the Company be liable for delay caused by imperfections, for consequential damages, or for any charges of the expense of

any nature incurred without its written consent. The cost of repair or replacement shall be the exclusive remedy for any breach of warranty. There is no warranty against infringement of the like and no implied warranty arising from course of dealing or usage of trade. This warranty will not apply to any product which has been repaired or altered outside of the California factory in any respect which in our judgment affects its condition or operation.

Some states do not allow the exclusion or limitation of incidental or consequential damages, so the above limitation or exclusion may not apply to you. This Warranty gives you specific legal rights, and you may have other rights which vary from state to state.

SERVICE CENTERS

Scheu Products Company has over 1,000 service centers throughout North America. Call (888) 619-7060 or e-mail php@scheuco.com to request the service center nearest you. Include the Make and model of your heater in any e-mails.

INSTRUCTIONS FOR ORDERING PARTS

We recommend that only parts supplied by the manufacturer be used on this unit. A locally purchased part may appear to be identical, although in reality it might endanger the heater or the persons operating the heater.

The heater should be serviced only by a trained, experienced service person.

Read the section on "Servicing" before ordering parts.

For parts orders, call 888-619-7060 or e-mail us at php@scheuco.com. Please have the model number of your heater and the replacement part number when placing your order.

Hand print only. Use black or blue ink pen to fill in this form. Cross or check inside the circle.

Warranty Registration

Your Information

First Name

Last name

Mailing Address

City

State

Postal code

E-mail Address

Annual house hold income before tax <\$9,999 \$10,000 to \$19,999 \$20,000 to \$34,999 \$20,000 to \$34,999 >\$50,000

Age of Purchaser <20 years 20-29 years 30-39 years 40-49 years 50-59 years >60 years

Fold Here

Your Preferences

- Who selected the heater? Male Female Both
- Heater will be used by? Individual Business
- How did you learn about our heater?
 Advertising Relative/friend
 Store display Previously owned heater
 Other
- What prompted you to buy your heater?
 Sudden cold weather Emergency backup heat
 Replaces old model Hard to heat location
 Heater on sale Other
 Construction project
- Where will you use the heater?
 Construction site Warehouse
 Shop Patio
 Other

In choosing your heater the following categories were:

	Somewhat Important	Important	Very Important
Features	<input type="radio"/>	<input type="radio"/>	<input type="radio"/>
Portability	<input type="radio"/>	<input type="radio"/>	<input type="radio"/>
Price	<input type="radio"/>	<input type="radio"/>	<input type="radio"/>
Quality	<input type="radio"/>	<input type="radio"/>	<input type="radio"/>
Heat Output	<input type="radio"/>	<input type="radio"/>	<input type="radio"/>
Warranty	<input type="radio"/>	<input type="radio"/>	<input type="radio"/>
Serviceability	<input type="radio"/>	<input type="radio"/>	<input type="radio"/>
Fuel economy	<input type="radio"/>	<input type="radio"/>	<input type="radio"/>
Ease of use	<input type="radio"/>	<input type="radio"/>	<input type="radio"/>
Size	<input type="radio"/>	<input type="radio"/>	<input type="radio"/>

Fold Here

Product Information

Date of Purchase (MM/DD/YY)

Cost of Heater (\$)

S/N (Located on a silver label on heater)

Model Number (Located on a black and white label on heater)

Brand Name All Pro Universal National Riverside

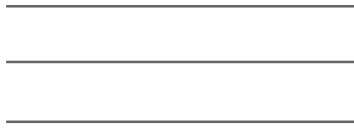
Store Information where heater was purchased

Store Name

City

State

Type of Store Hardware Home Center Warehouse Retailer Discount Store Farm Supply Contractor's Supply Other



SCHEU PRODUCTS COMPANY, INC
ATTN: MARKETING DEPARTMENT
8855 BAKER AVENUE
RANCHO CUCAMONGA, CA 91730

Visit our website for product information, technical support, customer service, and warranty registration at:
WWW.ALLPRO-HEATERS.COM for All-Pro products or WWW.UNVERISAL-HEATERS.COM for Universal products.