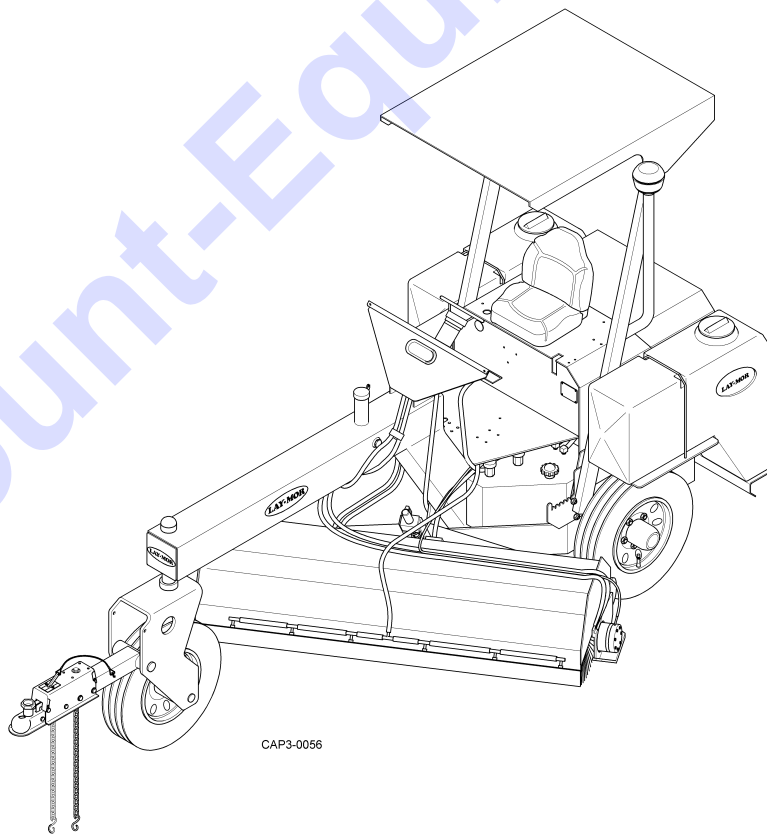


LAY·MOR

DURABLE PRODUCTS
DEPENDABLE PEOPLE

6HC/8HC SELF PROPELLED ROTARY BROOM SWEEPER PARTS MANUAL



05 May 2010

376632

Discount Equipment

Discount-Equipment.com is your online resource for commercial and industrial quality equipment sales and rentals. We sell worldwide for the brands Genie, Terex, Stihl, JLG, Multiquip, Mayco, Stone, Diamond Products, Airman, Mustang, Power Blanket.

Locations:

Florida (West Palm Beach) – [561-964-4949](tel:561-964-4949)

Outside Florida TOLL FREE: 877-690-3101

Need parts? Check out our website at www.discount-equipment.com

Can't find what you need? Click on this link:

<http://www.discount-equipment.com/category/5443-parts/> and fill out the request form.

Make sure you have your machines model and serial number available in order to help us get you the correct parts. One of our experienced staff members will get back to you with a quote for the right part that your machine needs.

Quick Reference

Filters

Kubota Filter Kit #387251K (S/N 28314 and Earlier)

Kit Includes:	P/N	Qty
Air Filter	467498	1
Air Filter	467506	1
Filter Elements	9101798	2
High Press. Filter	9102324	1
O-Ring	9103085	1
Fuel Filter	9102952	1
Inline Fuel Filter	9101624	1
Oil Filter	9103893	1

Kubota Filter Kit #387252K (S/N 28315 and After)

Kit Includes:	P/N	Qty
Air Filter	467498	1
Air Filter	467506	1
Filter Elements	9101798	2
High Press. Filter	475491	1
O-Ring	420708	1
Fuel Filter	9102952	1
Inline Fuel Filter	9101624	1
Oil Filter	9103893	1

Caterpillar Filter Kit #387253K

Kit Includes:	P/N	Qty
Primary Filter	467498	1
Safety Air Filter	467506	1
Oil Filter	476092	1
O-Ring	420708	1
Fuel Filter	476094	1
Inline Fuel Filter	9101624	1

Notes:

Brush Kits

Brush Style Kits

Type	P/N	Brush Width
Comb. Wire/Poly	9103150K	6'
All Poly	9104403K	6'
All Wire	9104404K	6'
Comb. Wire/Poly	9103151K	8'
All Poly	9104405K	8'
All Wire	9104406K	8'

More brush kits can be found on page 6-11.

Tube Style

Type	P/N	Tube Width
All Poly	9104630	6'
Comb. Wire/Poly	9104631	6'
1/2 poly - 1/2 Wire	9104633	8'
All Poly	9104632	8'

Sprinkler Kit

Sprinkler Kit #387254K

Kit Includes:	P/N	Qty
12V Pump	416826	1
Nipple Reducers	476895	2
Filter Head Gaskets	9102322	2
Filter Bowls	9102329	2
Suction Screen	9104062	1
Pressure Screen	9104063	1
T-Body Spray Nozzle Assemblies	9104620K	5
L-Body Spray nozzle Assemblies	9104621K	2

This page left intentionally blank.

Discount-Equipment.com

Table of Contents

Section 1. Required Filters List

Section 2. Chassis

2-1	Frame Assembly	2-2
2-2	Fork Assembly (S/N 29668 and Earlier) Non-Grease	2-5
2-3	Fork Assembly (S/N 29669 and Later) Grease	2-7
2-4	Tow Bar Assembly (Optional)	2-10
2-5	Surge Brake Actuator	2-12
2-6	Tire Wheel and Lug Nut Assembly	2-14
2-7	Dash Assembly	2-16
2-8	Ignition Key Identification	2-18
2-9	Seat Assembly	2-19
2-10	Variable Speed Pedal	2-21

Section 3. Hydraulic Components

3-1	Ground Drive Circuit	3-2
3-2	Drive Valve Assembly (Before 07-02)	3-5
3-3	Drive Valve Assembly (After 07-02)	3-7
3-4	Steering Circuit	3-9
3-5	Broom Rotary Valve Circuit (Fixed Speed)	3-11
3-6	Broom Motor Valve Assembly	3-13
3-7	Broom Rotary Valve Circuit (Variable Speed)	3-14
3-8	Broom Control Valve Assembly	3-15
3-9	Broom Angle Circuit	3-16
3-10	Priority Flow Divider	3-18
3-11	Broom Speed Control Valve	3-19
3-12	Hydraulic Drive Motor Assembly	3-20
3-13	Hydraulic Broom Motor Assembly (P/N 473462)	3-23
3-14	Piston Pump	3-25
3-15	Auxiliary Pump	3-28
3-16	High Pressure Filter Assembly S/N 28314 and Earlier	3-30
3-17	High Pressure Filter Assembly S/N 28315 and Later	3-31
3-18	Low Pressure Filter Assembly	3-32
3-19	Steering Cylinder	3-33
3-20	Broom Lift Cylinder	3-34
3-21	Broom Swing Cylinder	3-35

Section 4. Brakes

4-1	Surge Brake Actuator	4-2
4-2	Brake Line Assembly	4-4
4-3	Ground Drive Assembly	4-6
4-4	Hydraulic Disconnect With Brake Assy (Left or Right)	4-8

Table of Contents - Cont.

4-5	Wheel Disconnect With Brake Assy (Left or Right)	4-10
4-6	Parking Brake Assembly S/N 26843 and Earlier	4-12
4-7	Parking Brake Assembly S/N 26844 and Later	4-14
Section 5. Electrical		
5-1	Electrical Wiring Harness	5-2
5-2	Electrical Wiring Harness (Caterpillar Only)	5-4
5-3	Tail Light Assembly	5-6
5-4	Battery Assembly	5-7
5-5	Engine Emergency Shutdown Assembly	5-9
5-6	Hub Disengage Warning System	5-10
Section 6. Broom		
6-1	Hood Assembly	6-2
6-2	Broom Assembly	6-4
6-3	Broom Frame Assembly	6-6
6-4	Down Pressure Spring Assembly	6-8
6-5	Water Pump	6-10
6-6	Broom Kits	6-11
Section 7. Decals		
7-1	Decal Kit	7-2
Section 8. Engine		
8-1	Engine Assembly	8-2
8-2	Engine Assembly (Caterpillar)	8-6
8-3	Fan Assembly	8-9
8-4	Hydraulic Pump Drive Assembly S/N 28239 and Earlier	8-11
8-5	Hydraulic Pump Drive Assembly S/N 28240 and Later	8-13
8-6	Hydraulic Pump Drive Assembly Caterpillar	8-15
8-7	Fuel System Assembly	8-17
8-8	Fuel System Assembly - Caterpillar	8-19
8-9	Air Cleaner and Pre-Cleaner Assembly	8-21
8-10	Hood Assembly	8-23
8-11	Swing Arm Assembly	8-25
8-12	Radiator Shroud Begins with Rev. Code -003	8-27
8-13	Radiator Assembly Caterpillar (Engine S/N 4XD00001)	8-29
8-14	Radiator Assembly Caterpillar (Engine S/N 31300001)	8-31
Section 9. Options		
9-1	Light Kit (Front and Rear)	9-2
9-2	Water Tank Assembly	9-4

Table of Contents - Cont.

9-3 Sprinkler Assembly 9-6
9-4 Vista Cab Assembly 9-9
9-5 Vista Cab Right and Left Door Assembly 9-12
9-6 Vista Cab Heater/AC/Pressurizer Unit 9-15
9-7 Vista Cab AC/Heater Assembly 9-18

Discount-Equipment.com

This page left intentionally blank.

Discount-Equipment.com

Section 1. Required Filters List

Item	Part Number	Description	Qty	Notes
Kubota				
1	467498	Air Cleaner Primary	1	
2	467506	Safety Air Cleaner	1	
3	9101798	Hydraulic Oil (Return)	1	
4	9101798	Hydrostatic Charge	1	
5	9102324	Hydrostatic Loop	1	S/N 28314 and Earlier
6	9103085	O-Ring	1	S/N 28314 and Earlier
7	475491	High Pressure	1	S/N 28315 and After
8	420708	O-Ring	1	S/N 28315 and After
9	9103893	Engine Oil	1	
10	9101624	Fuel Filter (in-line)	1	
11	9102952	Element, Fuel Spin-on	1	
Caterpillar (3013C)				
1	476092	Engine Oil	1	
2	476094	Primary Fuel	1	
3	9101624	Fuel Filter (in-line)	1	
	476094	Cartridge	1	
4	9102324	Hydrostatic Loop	1	S/N 28314 and Earlier
5	9103085	O-Ring	1	S/N 28314 and Earlier
6	475491	High Pressure	1	S/N 28315 and After
7	420708	O-Ring	1	S/N 28315 and After
8	467498	Air Cleaner Primary	1	
9	467506	Safety Air Cleaner	1	

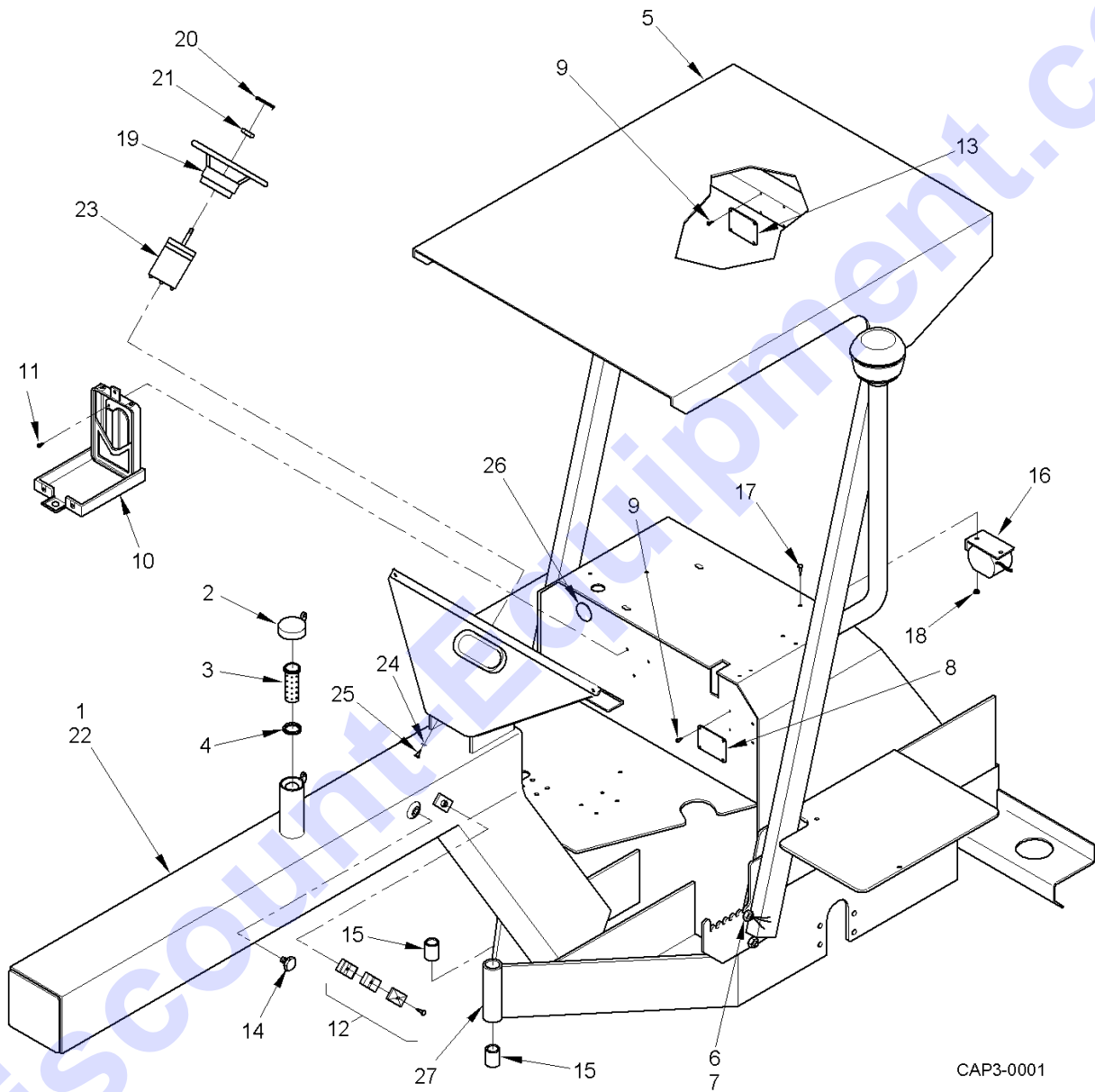
This page left intentionally blank.

Discount-Equipment.com

Section 2. Chassis

Component	Page
2-1 Frame Assembly	2-2
2-2 Fork Assembly (S/N 29668 and Earlier) Non-Grease	2-5
2-3 Fork Assembly (S/N 29669 and Later) Grease	2-7
2-4 Tow Bar Assembly (Optional).....	2-10
2-5 Surge Brake Actuator.....	2-12
2-6 Tire Wheel and Lug Nut Assembly.....	2-14
2-7 Dash Assembly	2-16
2-8 Ignition Key Identification	2-18
2-9 Seat Assembly	2-19
2-10 Variable Speed Pedal.....	2-21

Figure 2-1 Frame Assembly



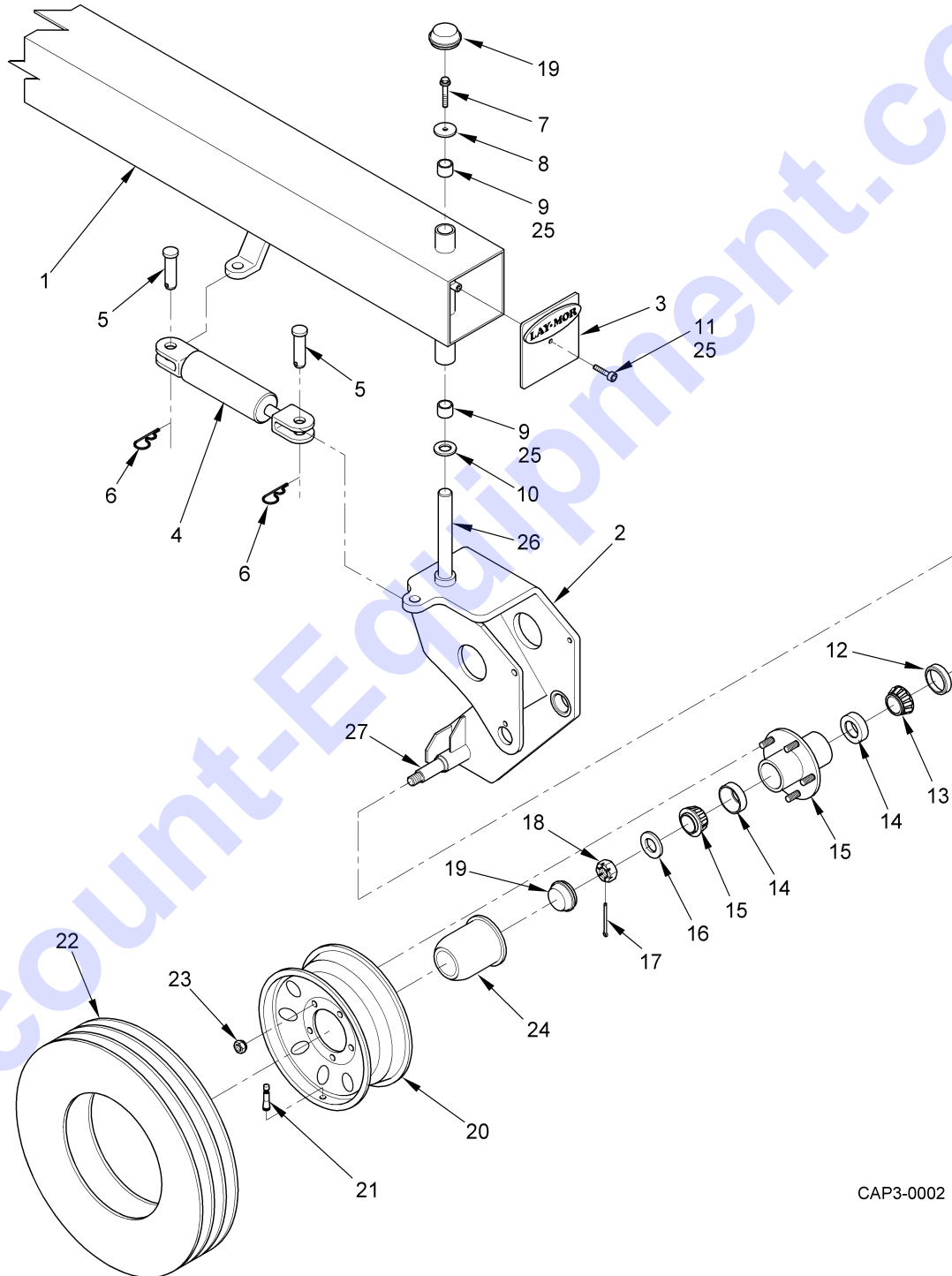
Parts List for Figure 2-1

Item	Part Number	Description	Qty	Notes
	374421	Frame Assembly	1	
1	376376	Weldment, Frame	1	
2	439182	Cap, Locking Tab	1	Hydraulic Filler Cap
3	447979	Screen, Hydraulic Tank	1	
4	9104574	Washer, 1.80 O.D. x 1.43 I.D. x .06" Thk.	1	Hydraulic Tank
5	376475	Weldment, ROPS Canopy	1	
6	021039	Capscrew, 5/8-11NC x 1.50" Pl.	6	
7	440651	Hex Nut, 5/8-11NC Flange Whizlock Gr. G	6	
8	9101135	Plate, Name	1	
9	052225	Drive Screw RH Type-U # .6 x .18	8	
10	414672	Case, Black Literature	1	
11	425769	Rivet, Pop 3/16" Dia. x .50"	3	
12	412569	Clamp, Hose .625	1	
13	472944	Plate, ROPS Certification	1	
14	9101942	Fitting, Sight Gauge	1	
15	V63023100	Bushing, 2.00 O.D. x 1.75 I.D. x 2.00" Long	2	Bronze
16	473736	Alarm, Backup	1	
17	441501	Capscrew, .25-20NC x .50" Flange Whizlock	2	
18	440636	Hex Nut, 1/4-20NC Flange Whizlock	2	
19	472696	Wheel, Steering	1	
20	467563	Cover, Steering Wheel	1	
21	472878	Nut, M16 x 1.50 Steering Wheel	1	Rev Code -001 and Before
	034751	Nut, Jam 5/8-18 Hex	1	Rev Code -002 and After
22	444232	Plug, 3/4-NPT with Magnetic Base	1	
23	467449	Orbitrol, Steering	1	Rev. Code -001 and Before
	467969	Orbitrol, Steering	1	Rev. Code -002 and After
	376470K	Seal Kit Field Update Valve	1	
	477414	Orbitrol Steering Valve	1	Production Date 9-15-02 and Later

Parts List for Figure 2-1 (Cont.)

Item	Part Number	Description	Qty	Notes
	477415	Seal Kit for 477414	1	
24	043281	Lock Washer, M8	4	Rev. Code -001 and Before
	038380	Lock Washer, M10	2	Rev. Code -002 and After
25	459453	Capscrew, M8 x 1.25-16mm Hex Hd.	4	Rev. Code -001 and Before
	058529	Capscrew, M10 x 35mm Hex Hd.	2	Rev. Code -002 and After
26	446518	Cover, Blind 2 1/16" Dia.	1	
27	376012	Tube, Pivot	1	
	375965	Rear Frame Side Plate	1	Not Shown in Illustration
	331561	Dash W/Light Hole Cover	1	Not Shown in Illustration

**Figure 2-2 Fork Assembly (S/N 29668 and Earlier)
Non-Grease**



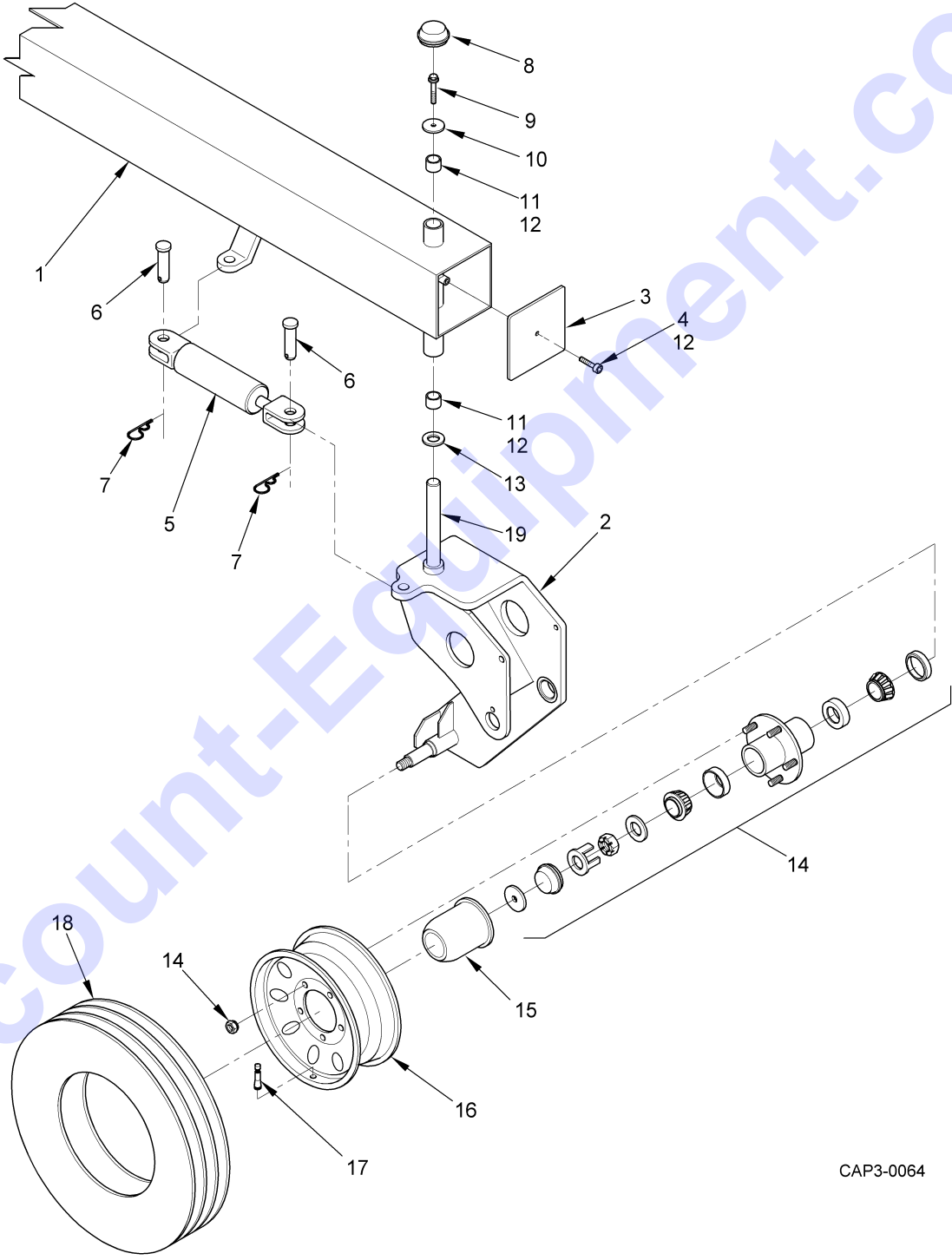
CAP3-0002

6HC/8HC Parts Manual
Section 2. Chassis

Parts List for Figure 2-2

Item	Part Number	Description	Qty	Notes
1	376376	Weldment, Frame	1	
2	376005	Weldment, Front Fork	1	
3	376251	Emblem, Lay-Mor	1	
4	467977	Cylinder, Steering	1	
5	9103034	Pin, Clevis, 1" O.D. x 2.75"	2	
6	015768	Cotter Pin, 3/16" Hair	2	
7	441766	Capscrew, .50-13NC x 1.00" Flange Whizlock	1	
8	459842	Washer, Pin Retainer	1	
9	V63023100	Bushing, 2" O.D. x 1.75" I.D. x 2" Long	2	Bronze
10	376327	Thrust Washer, .125 x 2.50 x 1.765"	1	
11	472936	Capscrew, 5/16-18UNC x 1.00" Soc. Hd.	1	Stainless
12	9101462	* Seal, Front Wheel	1	
13	421099	* Cone, Front Wheel Bearing	2	
14	421081	* Cup, Front Wheel Bearing	2	
15	9101054	Hub, Front Wheel - Non Grease	1	
16	9103642	Bushing, Machinery (Front Axle Nut)	1	
17	015164	Cotter Pin, 1/8 x 1.75" (Front Axle Nut)	1	
18	070508	Hex Nut, 1-14NF (Front Axle)	1	
19	440487	Cap, Dust	1	
20	9104564	Rim, Wheel	1	
21	029629	Stem, Valve	1	
22	9104606	Tire P20575R14 (Not available for resale)	1	
23	047480	Hex Nut, Lug 1/2-20NF 60° 13/16"	5	
24	472639	Cover, Dust Cap - Cosmetic	1	
25	047506	Loctite, Red #271	A/R	
26	376020	Pin, Front Fork, 12-3/4"	1	
27	9101053	Stub Axle	1	
* Included with 9101054 Hub, Front Wheel				

**Figure 2-3 Fork Assembly (S/N 29669 and Later)
Grease**



CAP3-0064

6HC/8HC Parts Manual
Section 2. Chassis

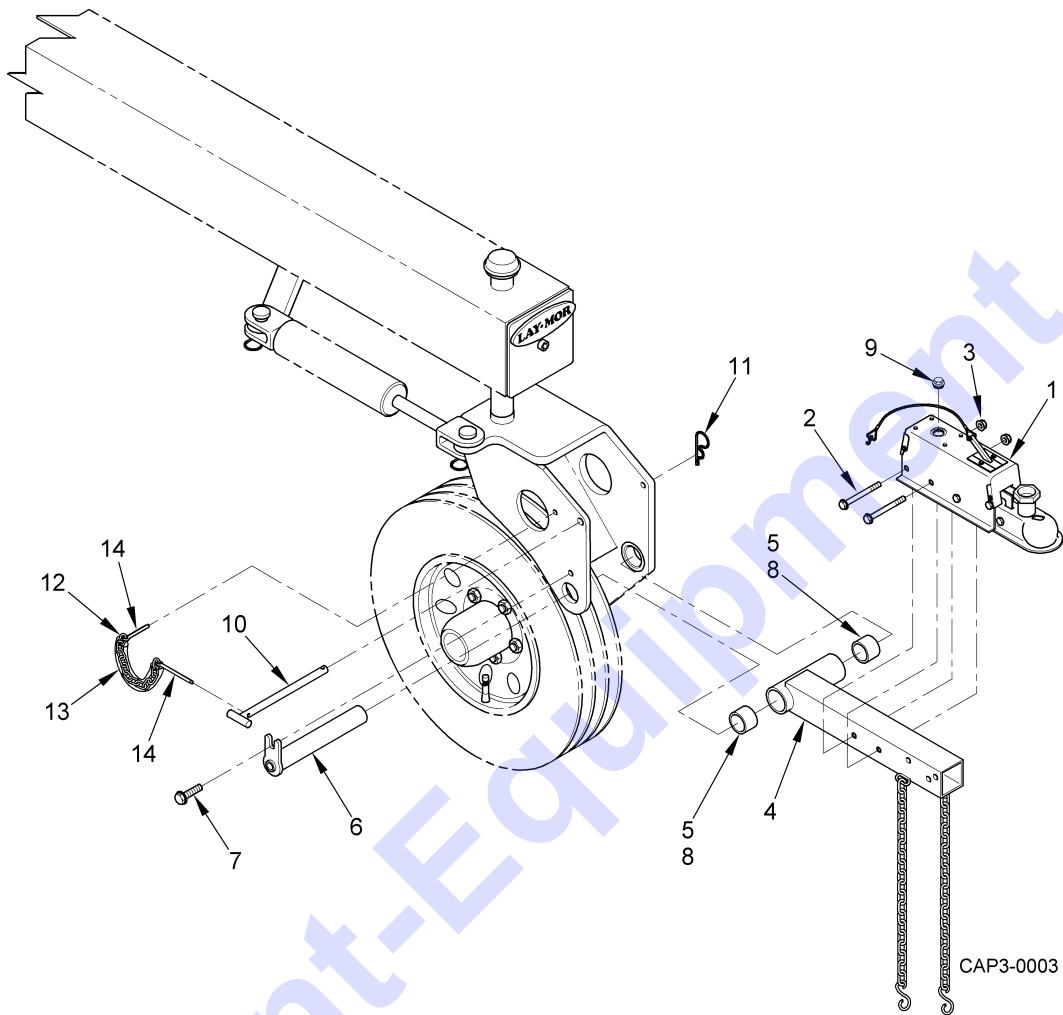
Parts List for Figure 2-3

Item	Part Number	Description	Qty	Notes
1	376376	Weldment, Frame	1	
2	376005	Weldment, Front Fork	1	
3	376252	Cover, Frame Tube	1	
4	472936	Capscrew, 5/16-18UNC x 1.00" Soc. Hd.	1	Stainless
5	467977	Cylinder, Steering	1	
6	9103034	Pin, Clevis, 1" O.D. x 2.75"	2	
7	015768	Cotter Pin, 3/16" Hair	2	
8	440487	Cap, Dust	1	
9	441766	Capscrew, .50-13NC x 1.00" Flange Whizlock	1	
10	459842	Washer, Pin Retainer - 2.00 x .52 x .125	1	
11	V63023100	Bushing, 2" O.D. x 1.75" I.D. x 2" Long	2	Bronze
12	047506	Loctite, Red #271	A/R	
13	376327	Thrust Washer, .125 x 2.50 x 1.765"	1	
14	421105	Kit, Hub/Spindle - Grease	1	
	375985	* Hub Seal	1	
	375986	* Hub Bearing	2	
	375987	* Bearing Race	2	
	375988	* Hub, with Studs	1	
	375989	* Stud, 1/2-20 R.H. Press In	5	
	375990	* Stud, 1/2-20 R.H. Screw In	5	
	047480	* Hex Nut, Lug 1/2-20NF 60° 13/16"	5	
	375992	* Washer	1	
	375993	* Nut Spindle	1	
	375994	* Retainer	1	
	375995	* Cap, Grease	1	
	375996	* Plug, Grease Cap	1	
	031401	* Grease Zirk	1	
15	472639	Cover, Dust Cap - Cosmetic	1	

Parts List for Figure 2-3 (Cont.)

Item	Part Number	Description	Qty	Notes
16	9104564	Rim, Wheel	1	
17	029629	Stem, Valve	1	
18	9104606	Tire P20575R14 (Not available for resale)	1	
19	376020	Pin, Front Fork, 12-3/4"	1	
				* Included with 421105 Hub Kit

Figure 2-4 Tow Bar Assembly (Optional)



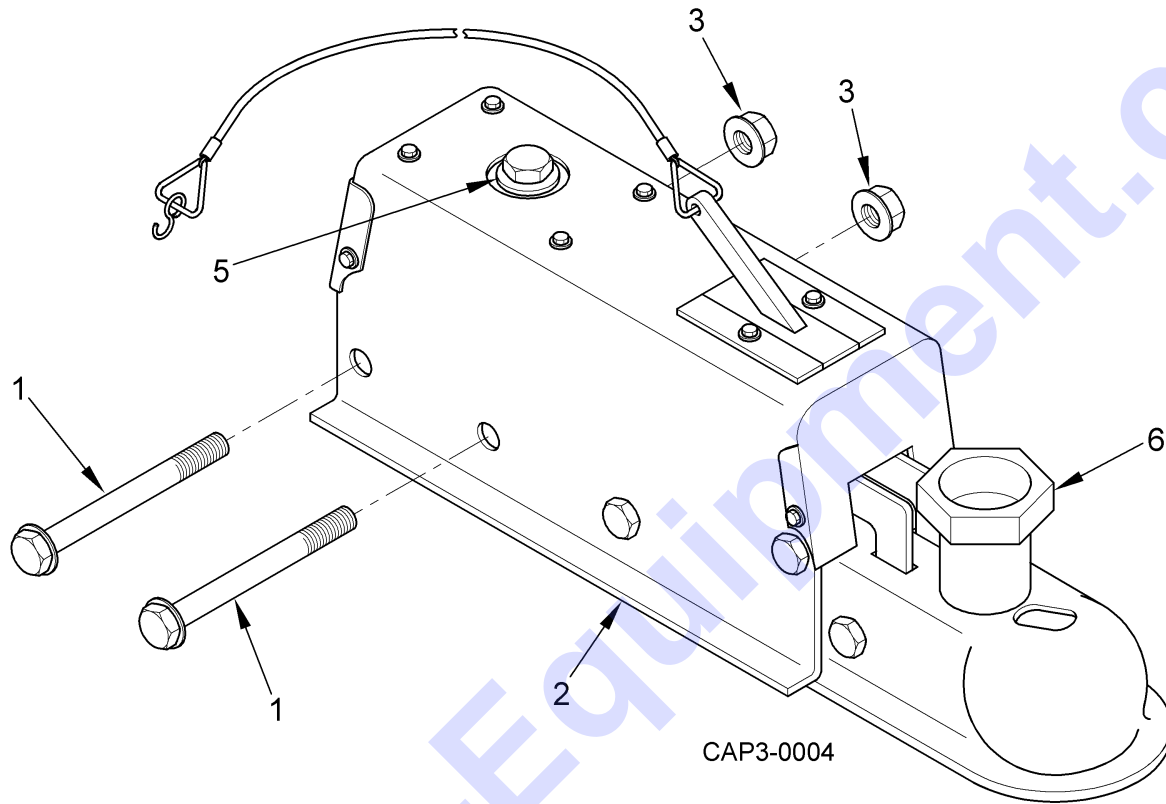
Parts List for Figure 2-4

Item	Part Number	Description	Qty	Notes
1		Actuator, Surge Brake	1	See 2-5 Surge Brake Actuator
2	011460	Capscrew, 1/2-13NC x 4.00" Pl.	2	
3	403907	Lock Nut, 1/2-13NC Nylon Insert	2	
4	376087	Str., Tow Bar	1	
	378950	Str., Tow Bar, Long (Optional)	1	Request Color when Ordering
	036145	Cap Assembly, Brake Reservoir (Optional)	1	Used with 378950
5	V63023100	Bushing, 2" O.D. x 1.75" I.D. x 2.00" Long	2	Bronze

Parts List for Figure 2-4 (Cont.)

Item	Part Number	Description	Qty	Notes
6	376509	Str., Pin 1.75" Dia. x 9.25"	1	
7	441758	Capscrew, 1/2-13NC x .75" Flange Whizlock	1	
8	047506	Loctite, Red #271	A/R	
9	374009	Cap, Modified - Master Cylinder	1	
10	377135	Pin, Tow Bar Stow	1	
11	058917	Hair Pin, Cotter 1/8.	1	
12	426627	Chain, #4 Straight Link	1	
13	467209	Loom, Clear Vinyl	1	
14	015305	Pin, Cotter 3/16 x 1.00 Steel Pl.	1	
	377333	Harness, Hitch	1	

Figure 2-5 Surge Brake Actuator



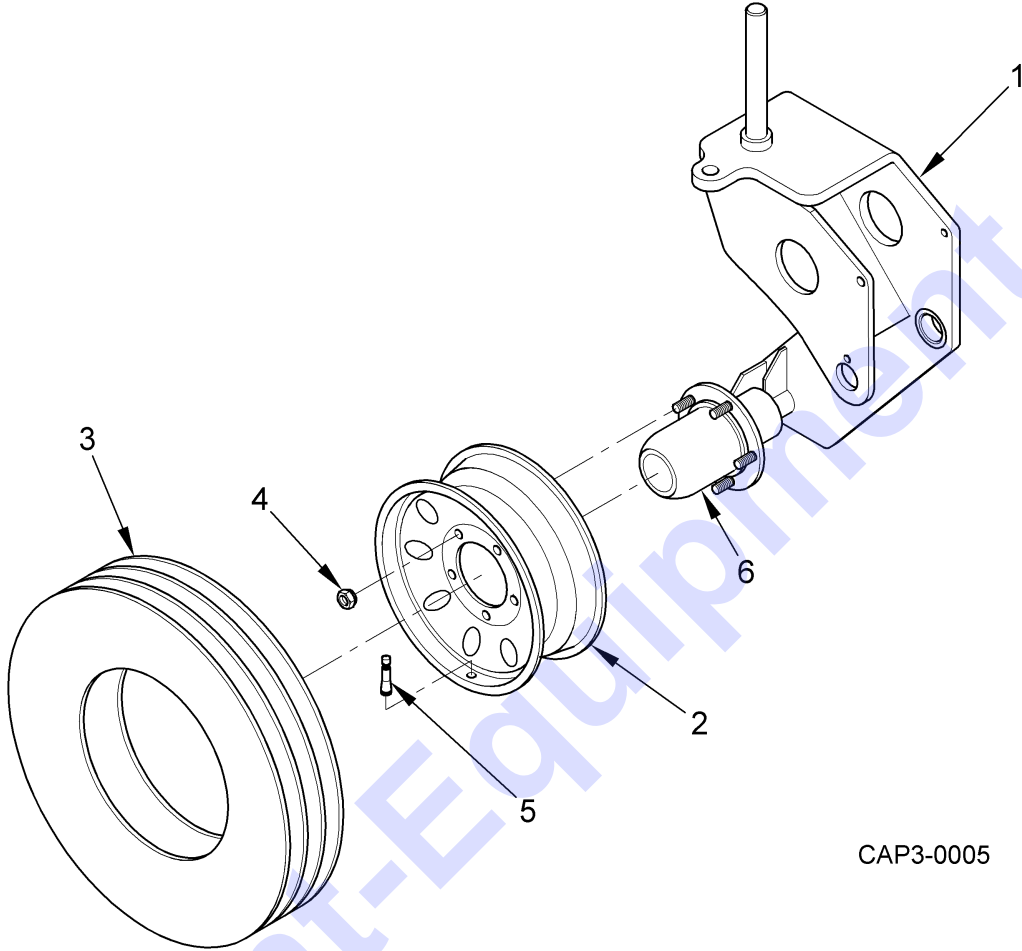
Parts List for Figure 2-5

Item	Part Number	Description	Qty	Notes
1	011460	Capscrew, .50-13NC x 4.00"	2	
2	447995	2" Ball, Surge Brake Actuator (Standard)	A/R	
	448084	2-5/16" Ball, Surge Brake Actuator (Optional)		
	448076	3" Pintle Eye, Surge Brake Actuator (Optional)		
	448977	Universal Surge Brake Actuator (Optional)		
*The following Items are used only with P/N 448977				
	407389	* Straight Multi-fit Coupler, 2"	1	No Actuator

Parts List for Figure 2-5 (Cont.)

Item	Part Number	Description	Qty	Notes
	9103126	* Coupler, 2-5/16" Ball	1	
	9101885	* Coupler, 3" Pintle Eye	1	
	012153	* Capscrew, .62-11NC x 4.50"	2	
	406231	* Hex Nut, .62-11NC Nylok	2	
3	403907	Hex Nut, /50-13NC Nylok	2	
4	9104396	Adapter, 2", 2-5/16", and 3" Tongue	A/R	Not Illustrated
	9104506	Adapter, Universal Tongue	A/R	Not Illustrated
5	374009	Cap, Modified Master Cylinder	1	
6	474338	Actuator Nut	1	
	448142	Kit, Master Cylinder Repair - Used on P/N 448084, 448076, and 448977	1	Not Illustrated
	464735	Kit, Master Cylinder Repair - Used on P/N 447995	1	Not Illustrated
	461400	Kit Coupler Repair	1	Not Illustrated
		* 461400 Coupler Repair Kit - Includes the following items		
		* Capscrew		
		* Lock Nut		
		* Compression Spring		
		* Lock Ring		
		* Plated Ball		
		* Latch		

Figure 2-6 Tire Wheel and Lug Nut Assembly

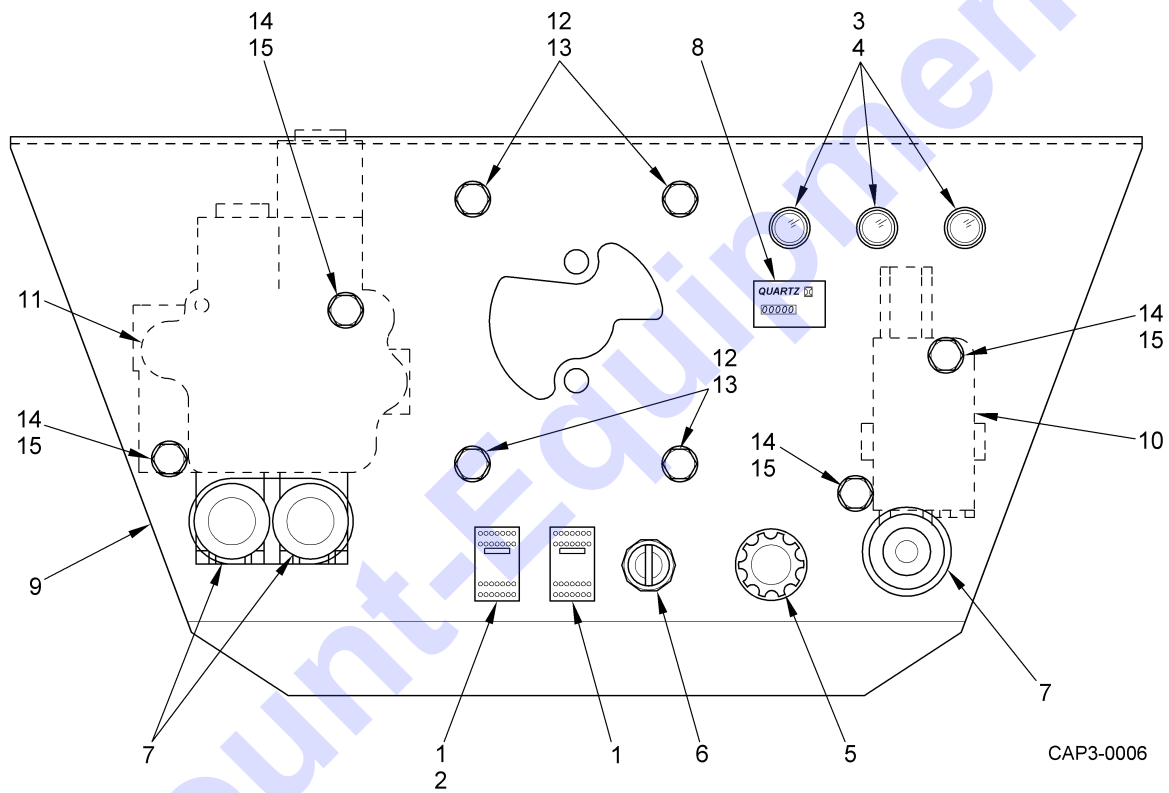


CAP3-0005

Parts List for Figure 2-6

Item	Part Number	Description	Qty	Notes
	374694	Tire Wheel & Lug Nut Assembly		
1	376005	Assembly, Fork	1	
2	9104564	Rim, Wheel	3	
3	9104606	Tire, P20575R14	3	Not Available for resale
4	047480	Hex Nut, Lug 1/2-20NF 60° 13/16"	15	
5	029629	Stem, Valve	3	
6	472639	Cover, Dust Cap	1	

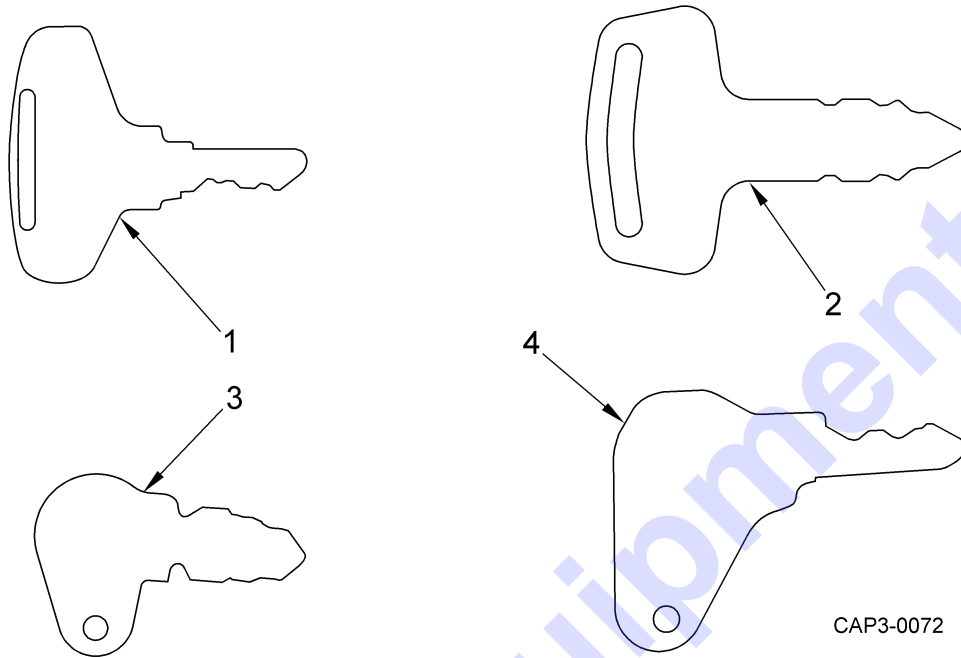
Figure 2-7 Dash Assembly



Parts List for Figure 2-7

Item	Part Number	Description	Qty	Notes
1	460113	Switch, 2 Position On/Off with Light	2	
2	500983'	Switch, Dummy Plug	1	Replaced by Optional Sprinkler Switch Part Number 460113
3	057448	Light, Red Indicator	3	
4	060624	Bulb, 12V 2-Watt	3	
5	9102266	Handle, Throttle with Cable	1	
6	9101497	Switch, Kubota Ignition	1	
	468082	Switch, Kubota Ignition	1	
	9101528	Key, (Set of 2 included with Switch)	1	Used with 9101497 Switch
	468090	Key, (Set of 2 included with Switch)		Used with 468082 Switch
7	449645	Handle	3	
	472555	Button, Flexible Venreer	1	
8	460485	Hour Meter	1	
9	376467	Panel, Dash	1	
10	9104029	Valve, 1-Spool 2-Position Detent with 1-Handle	1	
11	9104030	Valve, 2-Spool Float Detent with 2-Handle	1	
12	441618	Capscrew, 5/16-18NC x 1.25" Flange Whizlock	4	
13	083493	Nut, 5/16-18NC Flange Whizlock Gr. G	4	
14	441592	Capscrew, .25-20NC x 2.00" Flange Whizlock	4	
15	440636	Nut, .25-20NC Flange Whizlock Gr. G	4	
16	376418	Cover, Dash	1	Not Illustrated
17	441659	Capscrew, .38-16NC x .75" Flange Whizlock		Not Illustrated
18	083501	Nut, .38-16NC Flange Whizlock		Not Illustrated
19	460139	Switch, 3-Position Light	1	Not Illustrated

Figure 2-8 Ignition Key Identification

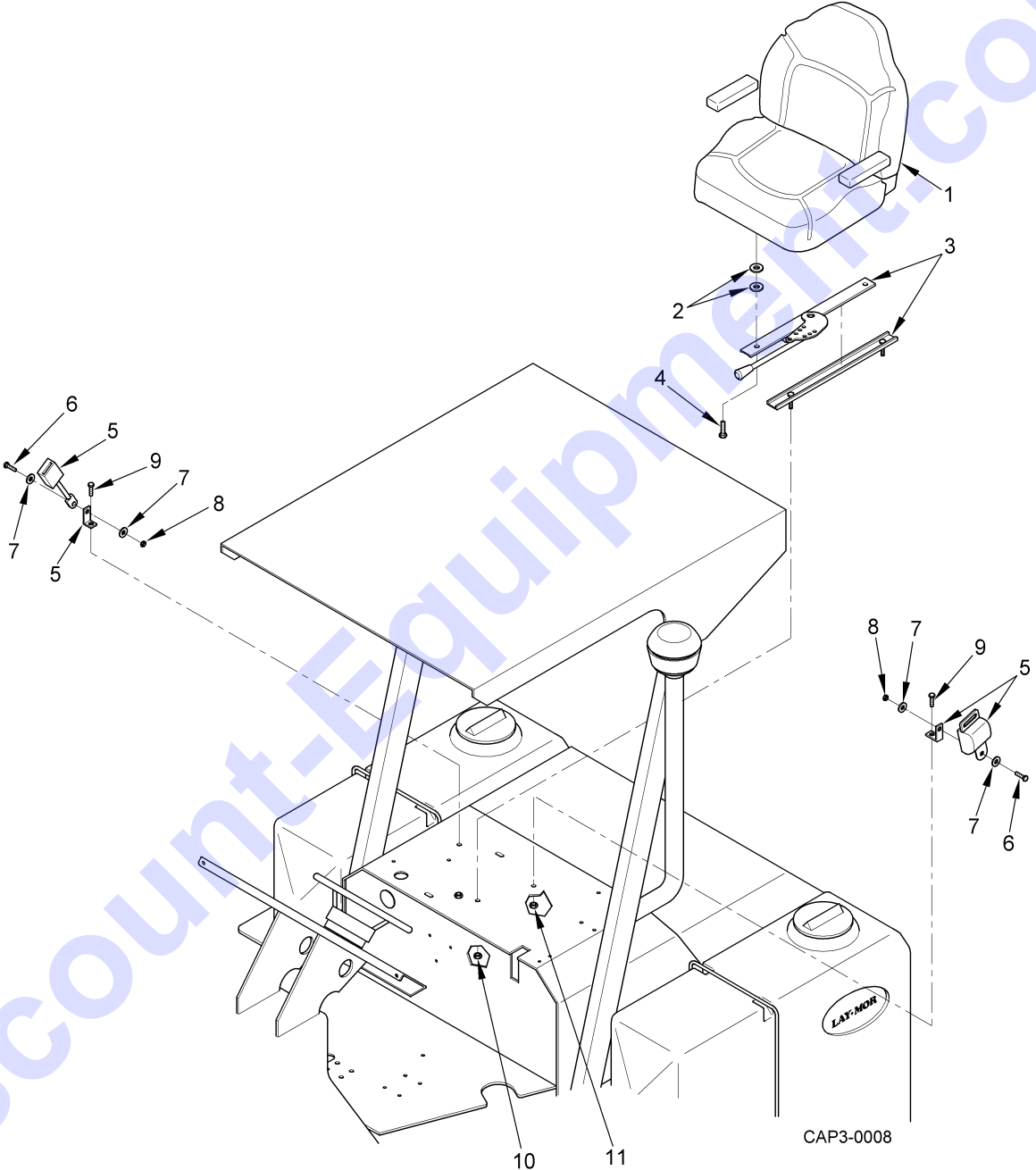


CAP3-0072

Parts List for Figure 2-8

Item	Part Number	Description	Qty	Notes
1	9101528	Key Only - Kubota Engine	1	
	9101497	Ignition Switch with Keys - Kubota Engine	1	
2	468090	Key Only - Kubota Engine	1	
	468082	Ignition Switch with Keys - Kubota Engine	1	
3	468084	Key Only - Kubota Engine	1	
	468083	Ignition Switch with Keys - Kubota Engine	1	Serial Number Sensitive
4	476088	Key Only - Caterpillar Engine	1	
	476087	Ignition Switch with Keys - Caterpillar Engine	1	

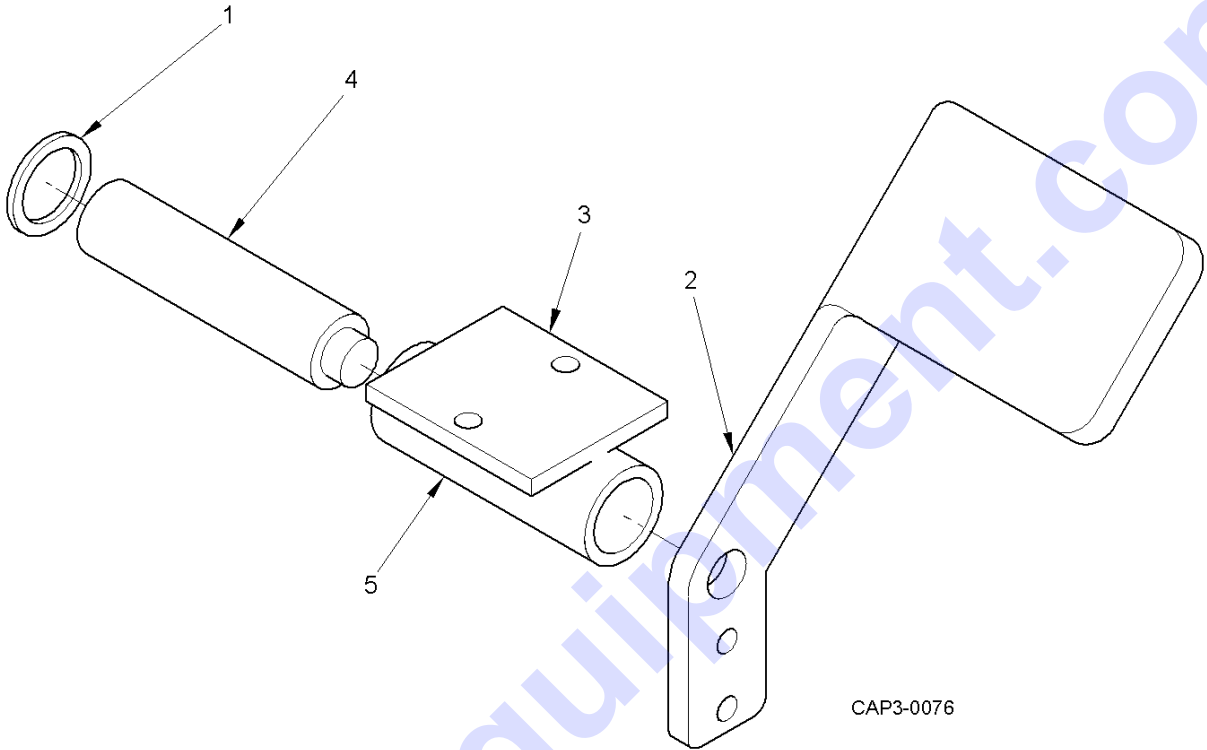
Figure 2-9 Seat Assembly



Parts List for Figure 2-9

Item	Part Number	Description	Qty	Notes
	374470	Seat Assembly		
1	472688	Assembly, Seat with Armrest	1	
	472689	Assembly, Seat with Armrest and Slider	1	
2	010579	* Flat Washer, 5/16" Pl.	8	
3	035519	* Assembly, Seat Slide Adjuster	1	
4	010348	* Capscrew, 5/16-18NC x 1.00" Pl.	4	
5	458778	Assembly, Retractable Seat Belt	1	
6	010629	Capscrew, 3/8-16NC x 1.00" Pl.	2	
7	011031	Flat Washer, .38" Pl.	4	
8	052233	Lock Nut, 3/8-16NC Two-Way	2	
9	441667	Capscrew, 3/8-16NC x 1.00" Flange Whizlock	2	
10	083493	Nut, 5/16-18NC Flange Whizlock Gr. G	4	
11	083501	Hex Nut, 3/8-16NC Flange Whizlock	2	
* Indicates attaching hardware				

Figure 2-10 Variable Speed Pedal



Parts List for Figure 2-10

Item	Part Number	Description	Qty	Notes
	376426	Variable Speed Pedal Assembly		
1	026146	Flat Washer, .62 SAE	1	
2	376400	Pedal, Variable Speed	1	
3	376434	Mount, Variable Speed Pedal Assembly	8	
4	376491	Shaft, Variable Speed Pedal Assembly	1	
5	010348	Tube, Variable Speed Pedal Assembly	4	
6	9103977	Spring, Variable Speed Pedal Assembly	1	Not Illustrated

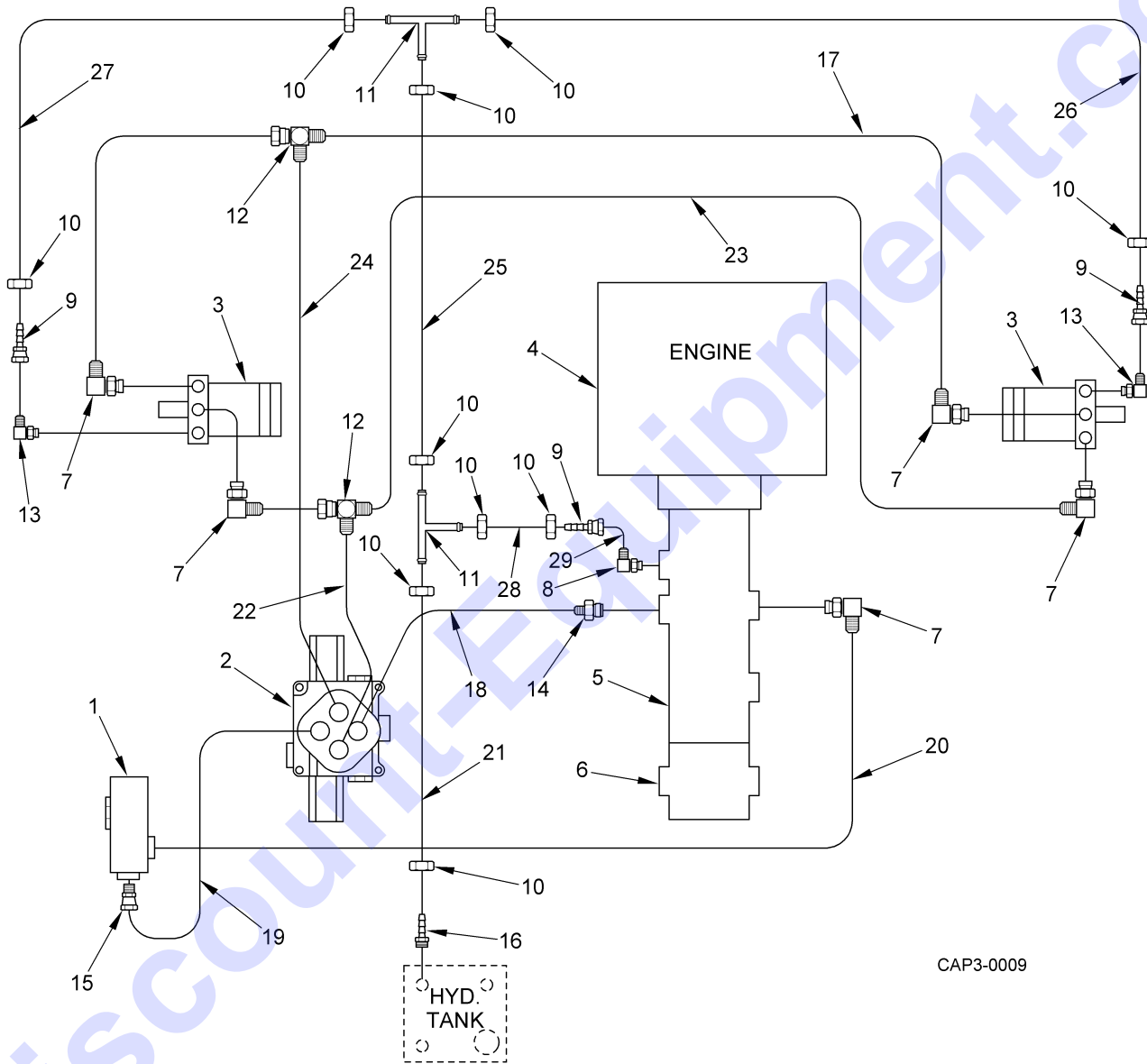
This page left intentionally blank.

Discount-Equipment.com

Section 3. Hydraulic Components

Component	Page
Figure 3-1 Ground Drive Circuit	3-2
Figure 3-2 Drive Valve Assembly (Before 07-02)	3-5
Figure 3-3 Drive Valve Assembly (After 07-02)	3-7
Figure 3-4 Steering Circuit	3-9
Figure 3-5 Broom Rotary Valve Circuit (Fixed Speed)	3-11
Figure 3-6 Broom Motor Valve Assembly	3-13
Figure 3-7 Broom Rotary Valve Circuit (Variable Speed)	3-14
Figure 3-8 Broom Control Valve Assembly.....	3-15
Figure 3-9 Broom Angle Circuit.....	3-16
Figure 3-10 Priority Flow Divider.....	3-18
Figure 3-11 Broom Speed Control Valve.....	3-19
Figure 3-12 Hydraulic Drive Motor Assembly	3-20
Figure 3-13 Hydraulic Broom Motor Assembly (P/N 473462)	3-23
Figure 3-14 Piston Pump	3-25
Figure 3-15 Auxiliary Pump.....	3-28
Figure 3-16 High Pressure Filter Assembly S/N 28314 and Earlier ..	3-30
Figure 3-17 High Pressure Filter Assembly S/N 28315 and Later	3-31
Figure 3-18 Low Pressure Filter Assembly	3-32
Figure 3-19 Steering Cylinder	3-33
Figure 3-20 Broom Lift Cylinder	3-34
Figure 3-21 Broom Swing Cylinder	3-35

Figure 3-1 Ground Drive Circuit



Parts List for Figure 3-1

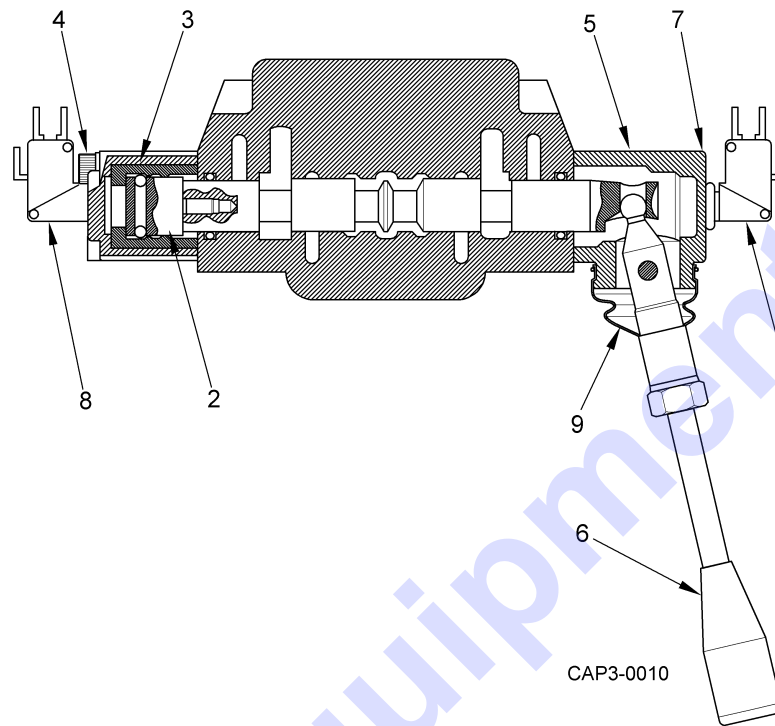
Item	Part Number	Description	Qty	Notes
1		Assembly, High Pressure Filter	1	See Figure 3-16 High Pressure Filter Assembly S/N 28314 and Earlier and Figure 3-17 High Pressure Filter Assembly S/N 28315 and Later.
2	9104028	Valve, Drive	1	See Figure 3-2 Drive Valve Assembly (Before 07-02).
	476838	Valve, Drive		See Figure 3-3 Drive Valve Assembly (After 07-02).
3	9103730	Motor, Wheel	2	See Figure 3-12 Hydraulic Drive Motor Assembly.
4	374793	Engine, Kubota	1	See Figure 8-1 Engine Assembly.
5	9101585	Pump, Piston	1	See Figure 3-14 Piston Pump.
6	9104033	Pump, Auxiliary	1	See Figure 3-15 Auxiliary Pump
7	068080	Adapter, 90°-12 SAEM x -6 JICM	5	
8	092825	Adapter, 90°-6 SAEM x -6 JICM	1	
9	447219	Adapter, -6 JICF Sw. to .37 Hose Barb	3	
10	447466	Clamp, Crimping Band -6 Hose	10	
11	447128	Tee, .37 I.D. hose Barb	2	
12	093203	Adapter, -8 JIC Run Tee	2	
13	092825	Adapter, 90°-6 SAEM x -6 JICM	2	
14	046938	Adapter, 1.06-12 SAE to .75-16 JICM	1	
15	447151	Adapter, .50-NPTF Sw. to -12 SAEM	1	
16	447169	Adapter, -6 SAEM to .37 Hose Barb	1	
17	369934	Hose, 08-08JS08JS x 16.00" 100R1	1	
18	9103921	Hose, 08-08JS12JM x 26.00" 100R1	1	
19	369983	Hose, 08-08mp08F9 x 13.00" 100R1	1	
20	377515	Hose, 08-08JS08MB x 27.50" 100R1	1	
21	447474	Hose, .375 I.D. Low Pressure x 13.00"	1	
22	369975	Hose, 08-08JS08MB x 31.00" 100R1	1	
23	377457	Hose, 08-08JS08JS x 18.00" 100R1	1	
24	369975	Hose, 08-08JS08MB x 31.00" 100R1	1	

6HC/8HC Parts Manual
Section 3. Hydraulic Components

Parts List for Figure 3-1 (Cont.)

Item	Part Number	Description	Qty	Notes
25	447474	Hose, .375 I.D. Low Pressure x 11.00"	1	
26	447474	Hose, .375 I.D. Low Pressure x 7.00"	1	
27	447474	Hose, .375 I.D. Low Pressure x 9.50"	1	
28	447474	Hose, .375 I.D. Low Pressure x 11.00"	1	
	439182	Cap, Hydraulic Tank	1	Not Illustrated

Figure 3-2 Drive Valve Assembly (Before 07-02)



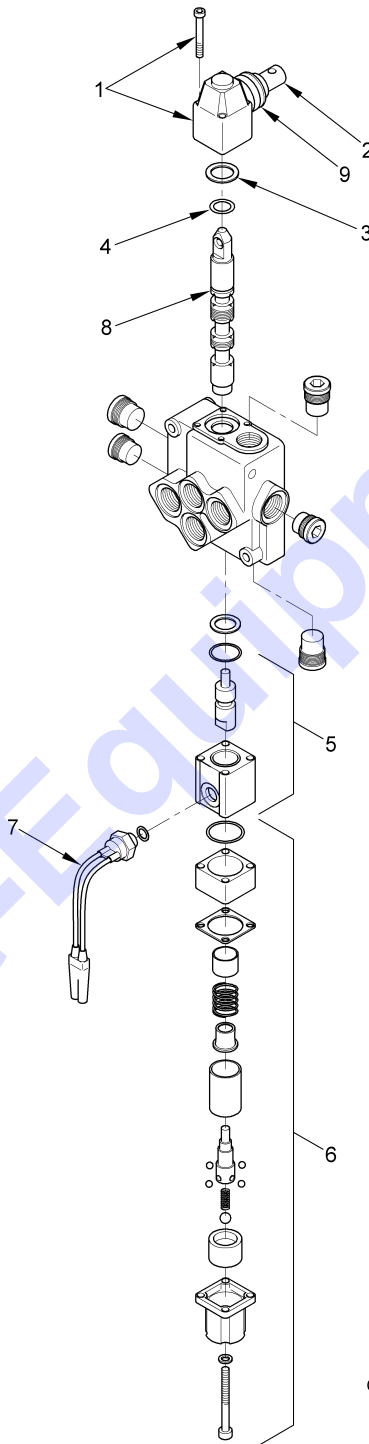
Parts List for Figure 3-2

Item	Part Number	Description	Qty	Notes
	9104028	Drive Valve Assembly		Production Before July 2002
1	9103996	Kit, Seal	1	Not Illustrated
2	474551	Kit, Detent 3-Position	1	
3	474569	End Cap, Spool Action	1	
4	474577	Hex Screw, 6 x 40 Socket	2	
5	473298	Assembly, Lever End Cap	1	
6	449645	Assembly, Lever	1	
7	460584	Hex Screw, 6 x 45 Socket	2	
8	9104049	Micro Switch	2	
9	440263	Bellow	1	
	386169K	Drive Valve Update Kit	1	Not Illustrated
386169K Update Kit Contains the Following Items				

Parts List for Figure 3-2

Item	Part Number	Description	Qty	Notes
	010132	Bolt	2	Not Illustrated
	386128	Hose Assembly	2	Not Illustrated
	386136	Hose Assembly	2	Not Illustrated
	386144	Hose Assembly	1	Not Illustrated
	386151	Update Valve Harness	1	Not Illustrated
	386177	Update Valve Instructions	1	Not Illustrated

Figure 3-3 Drive Valve Assembly (After 07-02)

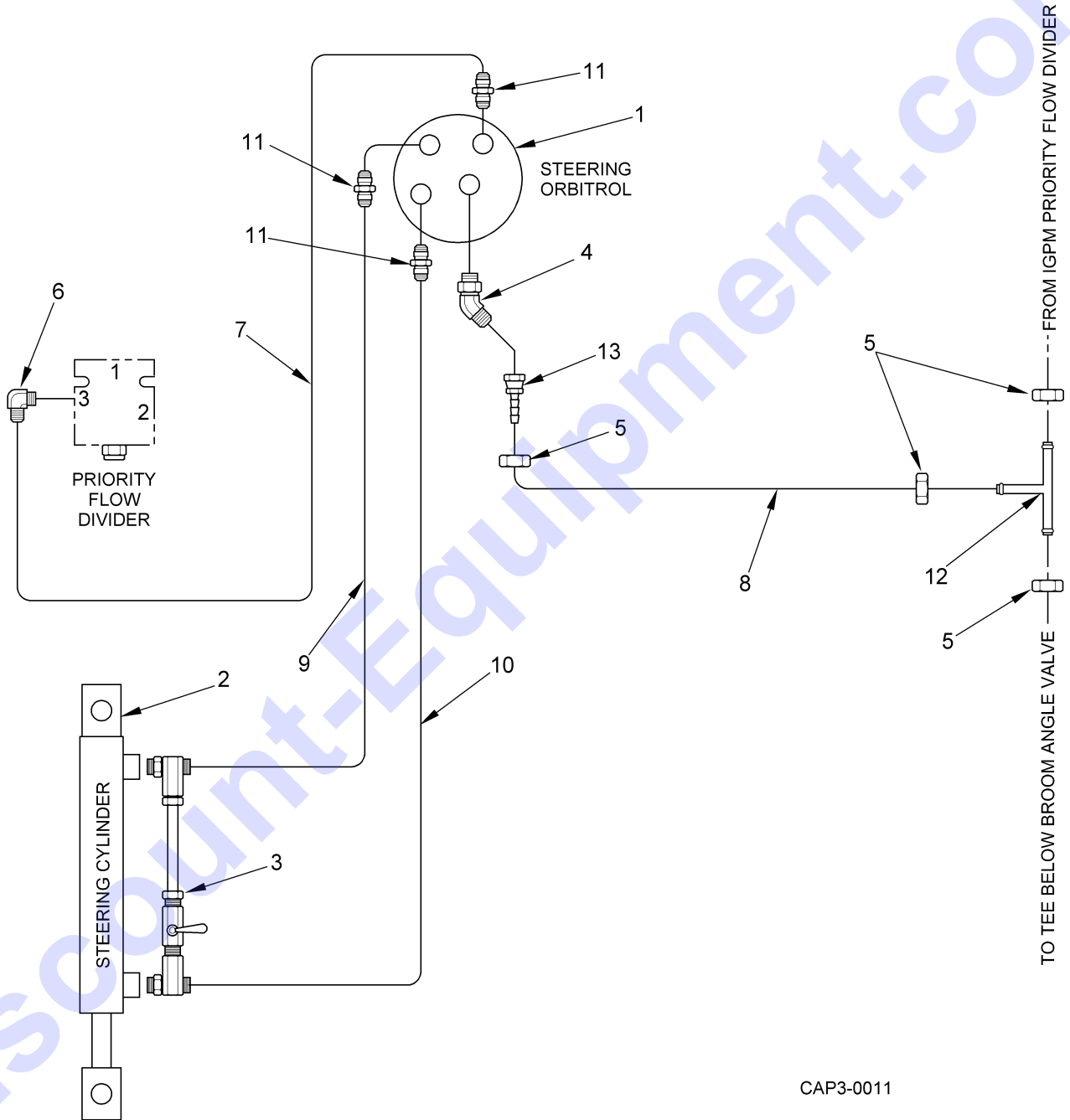


CAP3-0063

Parts List for Figure 3-3

Item	Part Number	Description	Qty	Notes
	476838	Drive Valve Assembly		Production After July 2002
1	476842	Valve Lever Kit	1	
2	449645	Assembly, Lever	1	
3	414318	O-Ring, Retainer	1	
4	477662	Kit, Seal	1	Kit contains all O-Rings
5	476841	Kit, Valve Body	1	
6	476839	Kit, Valve Detent	1	
7	477182	Kit, Valve Switch	2	
8	414326	Spool, Type I	1	
9	440263	Bellow, Valve Handle	1	

Figure 3-4 Steering Circuit



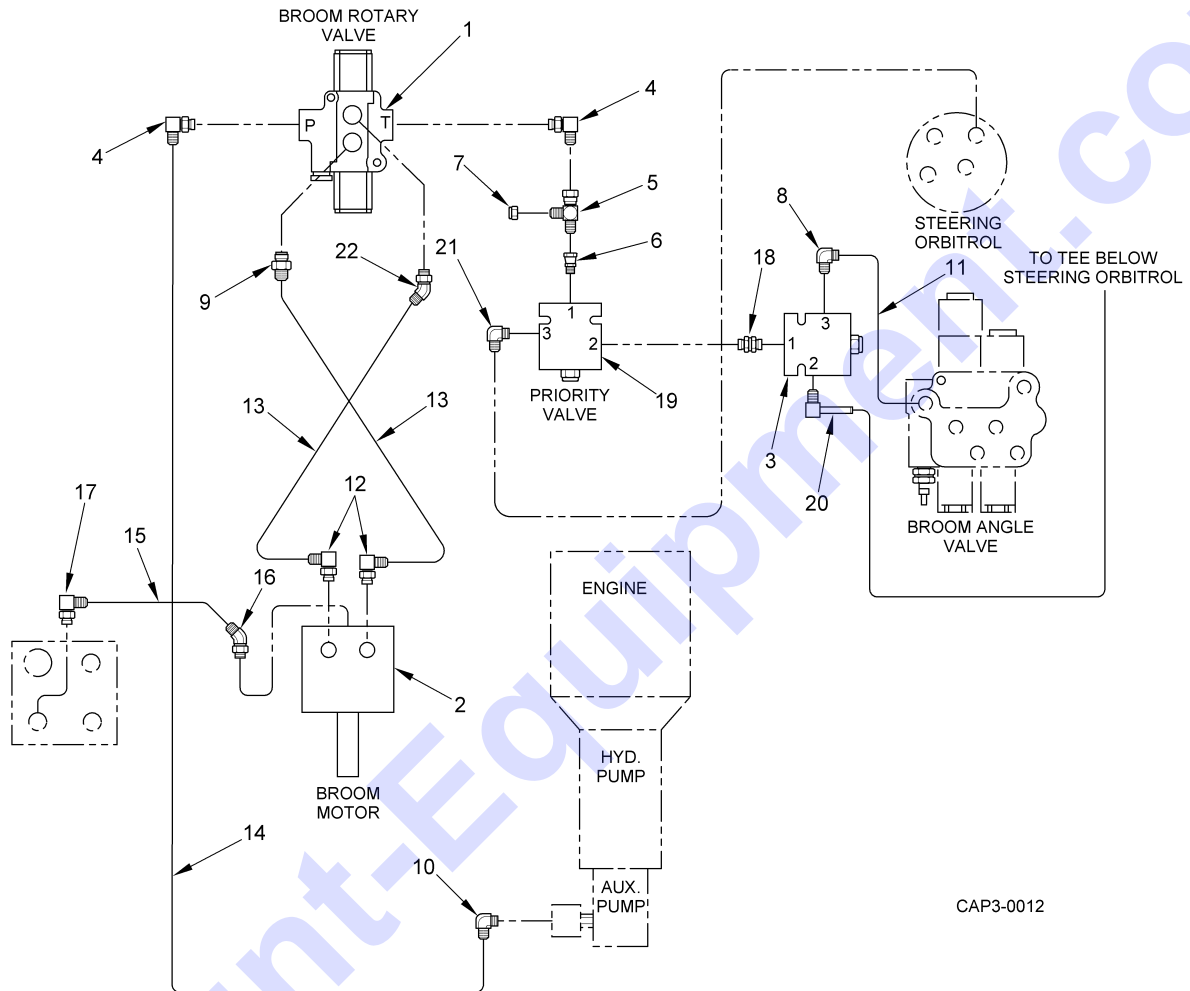
CAP3-0011

6HC/8HC Parts Manual
Section 3. Hydraulic Components

Parts List for Figure 3-4

Item	Part Number	Description	Qty	Notes
1	467449	Orbitrol, Steering	1	Rev. Code -001 and Before
	467969	Kit, Seal	1	Used with 467449
	477414	Orbitrol, Steering	1	Production After Sept. 2002
	477415	Kit, Seal	1	Used with 477414
	376470K	Steering Orbitrol Update Kit		Rev. Code -002 and After
2	467977	Cylinder, Steering	1	
3	376681	Kit, Ball Valve and Fitting Steering Cylinder	1	
4	473579	Adapter, -6 JIC to .50" Hose Barb	1	Rev. Code -001 and Before
	473561	Adapter, 45° -6 SAEM x -8 JIC	1	Rev. Code -002 and After
5	446930	Clamp, Crimping Band -8 Hose	1	
6	093302	Adapter, Adjustable Elbow	1	
7	381509	Hose, 06-06JS08J9 x 26.50" 100R1	1	
8	446948	Hose, .50 Low Pressure x 14.00"	1	
9	377416	Hose, 06-06JS06J9 x 57.00" 100R1	1	
10	377408	Hose, 06-06JS06J9 x 67.00" 100R1	1	
11	092882	Adapter, Str. .75-16 JIC	3	Rev. Code -002 and After
12	075853	Tee, .50 Hose Barb	1	
13	447201	Adapter, -8 JIC SW x .50" Hose Barb	1	Rev. Code -002 and After

Figure 3-5 Broom Rotary Valve Circuit (Fixed Speed)



CAP3-0012

Parts List for Figure 3-5

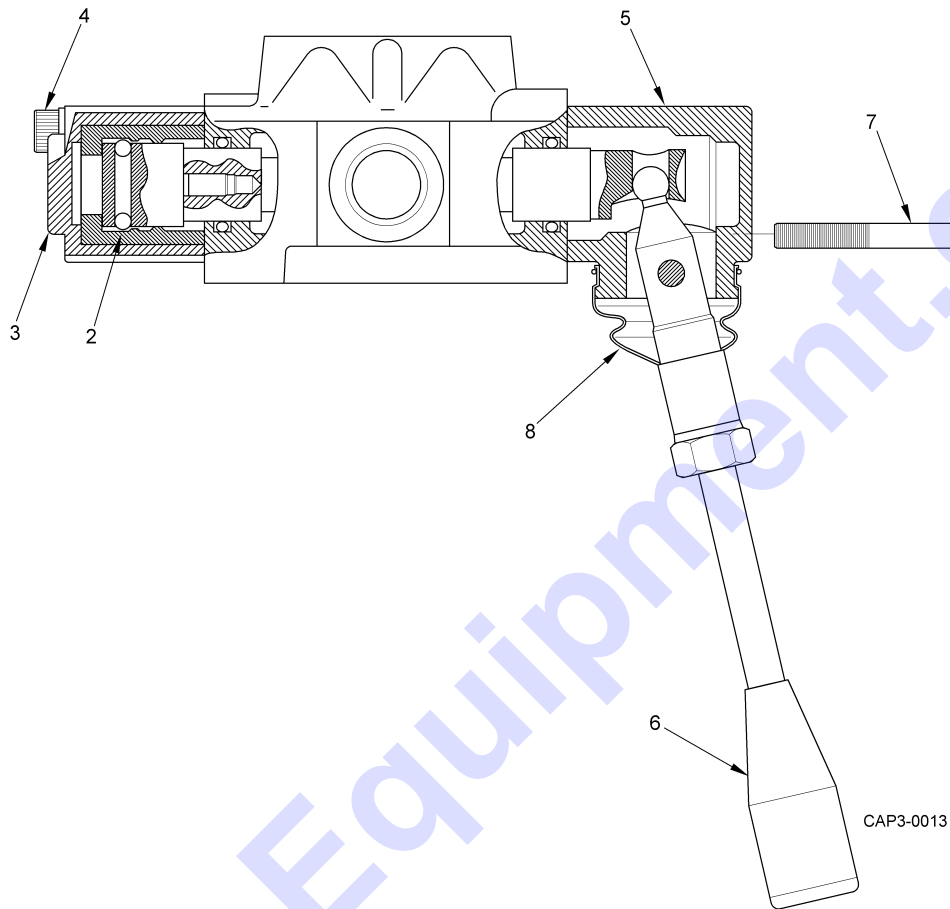
Item	Part Number	Description	Qty	Notes
1	9104029	Valve, 1 Spool 2-Position Detent with 1-Handle	1	
	462515	Kit, Seal	1	Not Illustrated
2	473462	Motor, Broom	1	
3	382887	Valve, Priority Flow (1 GPM)	1	
	474171	Valve, Priority Flow	1	Rev. Code -004 and After
4	035550	Adapter 90° .75-16 SAEM to .75-16 JICM	2	
5	093203	Adapter, Tee .75-16 JIC SWR	1	

6HC/8HC Parts Manual
Section 3. Hydraulic Components

Parts List for Figure 3-5 (Cont.)

Item	Part Number	Description	Qty	Notes
6	473538	Adapter, SAE 6 to -8 JICF Sw.	6	
7	041160	Cap, .75-16 JIC	1	
8	035832	Adapter, 90° .37 NPT x .75 JIC	2	
	093302	Adapter, 90° -6 SAE x -8 JIC	2	Rev. Code -004 and After
9	035568	Adapter, Str. .75-16 SAEM to .75-16 JICM	1	
10	035857	Adapter, 90° -8 NPTM to -8 JICM	1	
11	381491	Hose, 08-08JS08J9 x15.50" 100R1	1	
12	040170	Adapter, 90° -10 SAEM x -8 JICM	2	
13	377424	Hose, 08-08JS08J9 x 104.00" 100R1	2	Used on 8 Ft. Broom Only
	374991	Hose, 08-08JS08J9 x 94.00" 100R1	2	Used on 6 Ft. Broom Only
14	377440	Hose, 08-08JS08JS x 41.00" 100R1	1	
15	381376	Hose, 04-04JS04JS x 95.00" 100R1		Used on 6 Ft. Broom Only
	381368	Hose, 04-04JS04JS x 105.00" 100R1		Used on 8 Ft. Broom Only
16	473470	Adapter 45° -4 SAE x -4 JIC	1	
	400986	Adapter, 90° -4 SAE x -4 JIC	1	Used with 473462 Motor
17	093104	Adapter, 90° -6 SAE x -4 JIC	1	
18	473546	Adapter, SAE 6 x .37 NPT	1	
	093344	Adapter, Str. -6 SAE x -6 SAE	1	Rev. Code -004 and After
19	473520	Divider, Priority Flow Divider (3 GPM)	1	
20	446864	Adapter, 3/8 NPT x .50" Hose Barb	1	
	474023	Adapter, 90° -6 SAE x .50 Hose Barb	1	Rev. Code -004 and Afte
21	093302	Adapter, 90° 6 SAE x 8 JIC	1	
22	066423	Adapter, 45° -8 MSAE x -.8 MJIC	1	

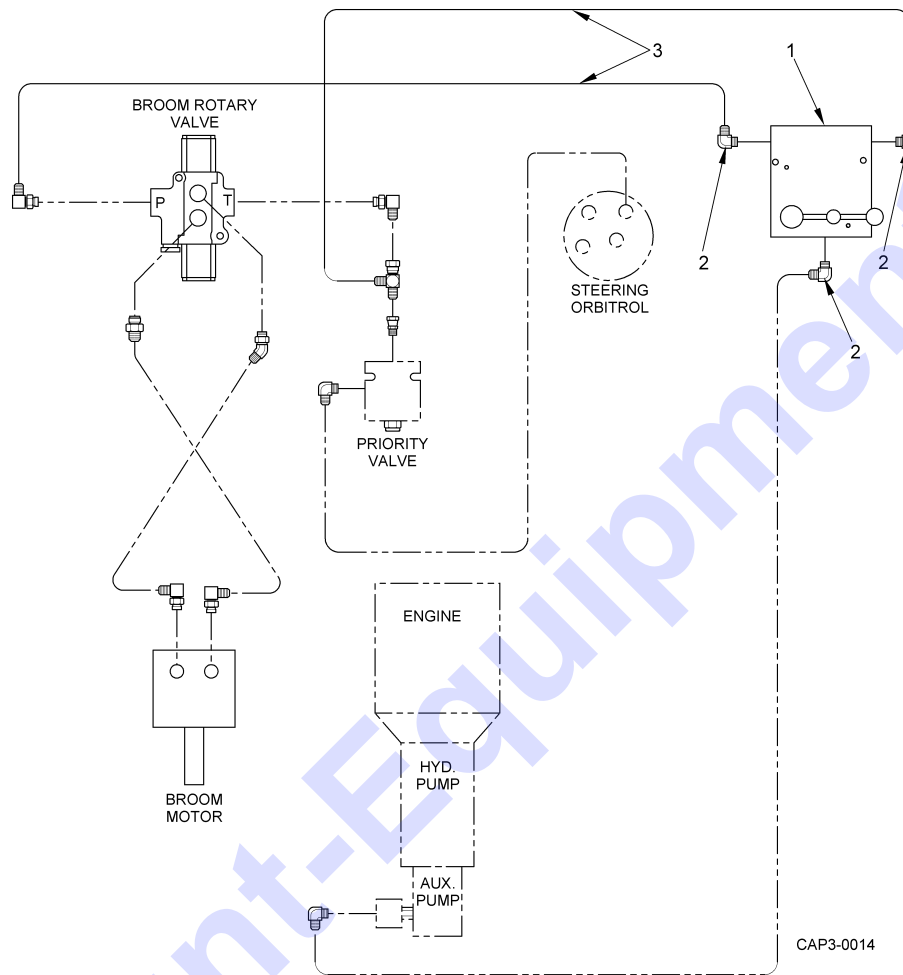
Figure 3-6 Broom Motor Valve Assembly



Parts List for Figure 3-6

Item	Part Number	Description	Qty	Notes
	9104029	Broom Motor Valve Assembly		Not Illustrated
1	462515	Kit, Seal	1	
2	9104528	Kit, Detent "L"	1	Used for Reversible Broom
3	477174	End Cap, Spool Action	1	
4	474577	Hex Screw, 6 x 40 Socket	2	
5	473298	Assembly, Lever End Cap	1	
6	449645	Assembly, Lever	1	
7	460584	Hex Screw, 6 x 45 Socket	2	
8	440263	Bellow	1	

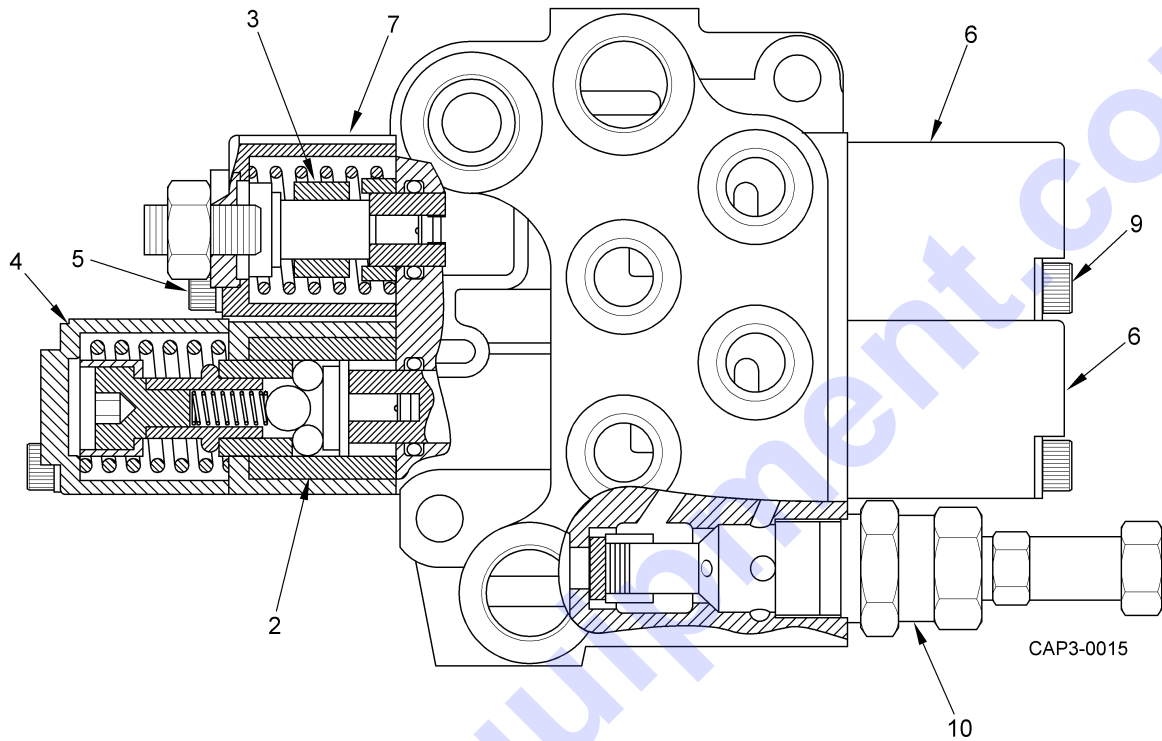
Figure 3-7 Broom Rotary Valve Circuit (Variable Speed)



Parts List for Figure 3-7

Item	Part Number	Description	Qty	Notes
1	9101984	Valve, Variable Speed	1	
	467571	Variable Speed Seal Kit	1	Not Illustrated - Used with 9101984
2	035857	Adapter, 90° -8NPTM x -8 JICM	3	Used with 9101984
3	9103899	Hose, 04-06JS06JS x 23.00" 100R1	3	Used with 9101984
	376948K	Variable Speed Kit with 477414 Orbitrol		Not Illustrated
	477640	Adapter	1	Not Illustrated
	477623	Variable Speed Option Hose	1	Not Illustrated

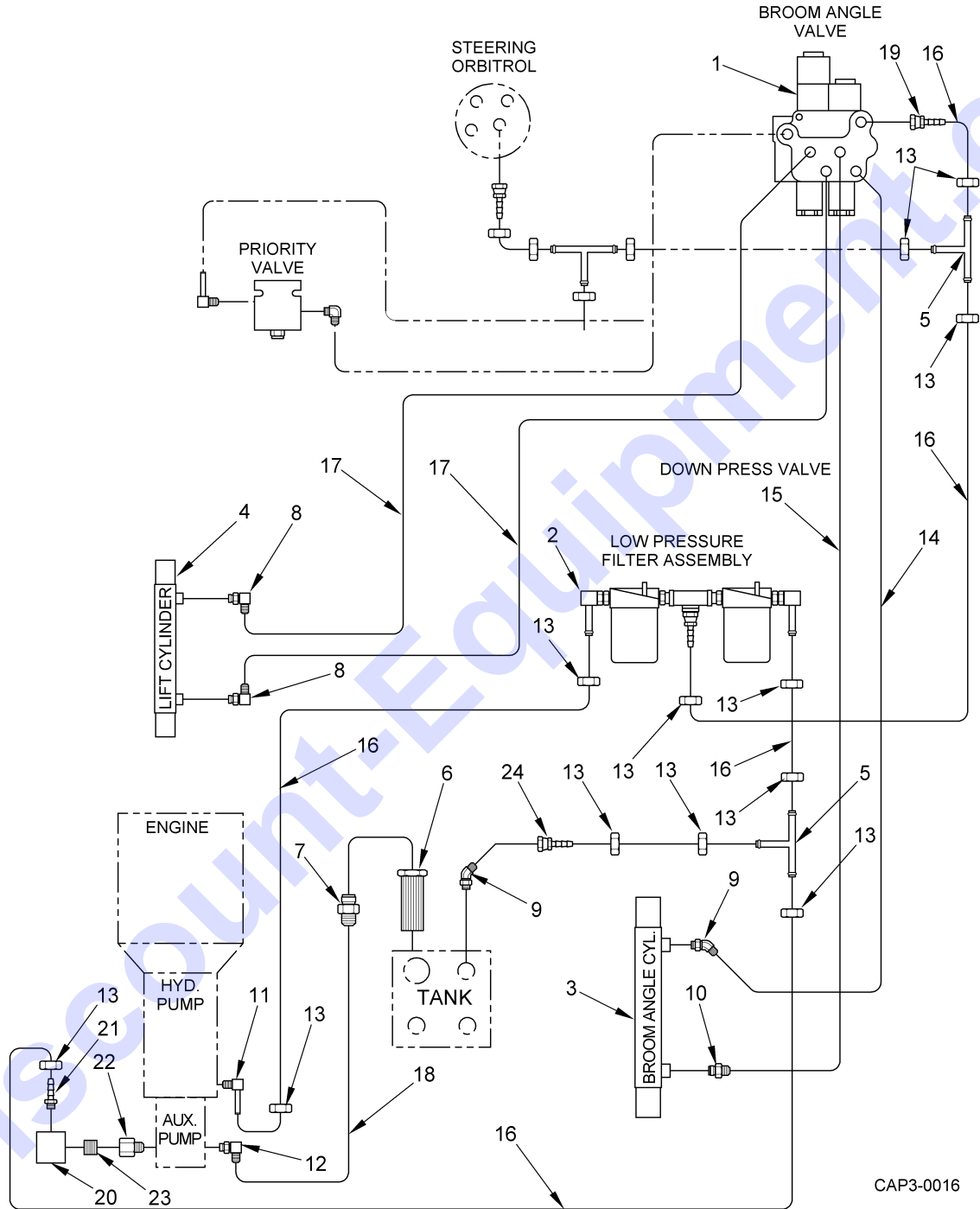
Figure 3-8 Broom Control Valve Assembly



Parts List for Figure 3-8

Item	Part Number	Description	Qty	Notes
	9104030	Broom Control Valve Assembly		Lift and Angle
1	9104036	Kit, Seal	1	Not Illustrated
2	476002	Kit, Float Detent "N"	1	
3		Kit, Spring Center "A"	1	
4		End Cap, Spool Action	1	
5	474577	Hex Screw, 6 x 40 Socket	2	
6	475434	Assembly, Lever End Cap	2	
7		Kit, Limiter Lever End Cap	1	
8	449645	Assembly, Lever	2	Not Illustrated
9	460584	Hex Screw, 6 x 45 Socket	4	
10	477800	Assembly, Relief Valve	1	

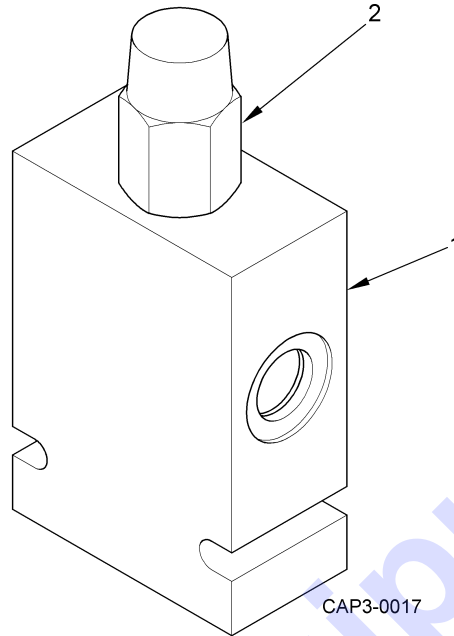
Figure 3-9 Broom Angle Circuit



Parts List for Figure 3-9

Item	Part Number	Description	Qty	Notes
1	9104030	Valve, 2-Spool Broom Angle	1	
2	376442	Assembly, Low Pressure Filter	1	See Figure 3-18 Low Pressure Filter Assembly.
3	467985	Cylinder, Broom Swing	1	See Figure 3-21 Broom Swing Cylinder.
4	376641	Cylinder, Broom Lift	1	See Figure 3-20 Broom Lift Cylinder
5	075853	Tee, .50 I.D. Hose Barb	2	
6	9100143	Screen, Hydraulic Tank Filter	1	
7	V63037800	Adapter 16-NPTM -12 MJ	1	
8	092825	Adapter, 90° -6 SAEM x -6 JICM	2	
9	425348	Adapter, 45° -6 SAEM x -6 JICM	2	
10	092882	Adapter, -6 SAEM x -6 JICM	1	
11	447094	Adapter, 90° -8 SAEM to .50 Hose Barb	1	
12	068338	Adapter, 90° 1.06-12 SAEM x 1.06-12 JICM	1	
13	446930	Clamp, Crimping Band -8 Hose	12	
14	9103745	Hose, 06-06JS06MB x 50.50" 100R1	1	
15	9103766	Hose, 06-06JS06MB x 52.50" 100R1	1	
16	446948	Hose, .50" Low Pressure	A/R	
17	9103765	Hose, 06-06JS06MB x 41.00" 100R1	2	
18	369991	Hose, 12-12JS12F9 x 16.00" 100R1	1	
19	447227	Adapter, -8 JICM to .50" Hose Barb	1	
20	9100970	Valve, In-Line Relief	1	
21	447367	Fitting, 3/8-NPTM x .375" Barb Str.	1	Brass
22	095216	Adapter, Str. .50-NPTM x .87-14 SAEM	1	
23	025395	Nipple, 1/2-NPT Close Extra Heavy	1	
24	473579	Adapter, -6 JICF x .50" Hose Barb	1	

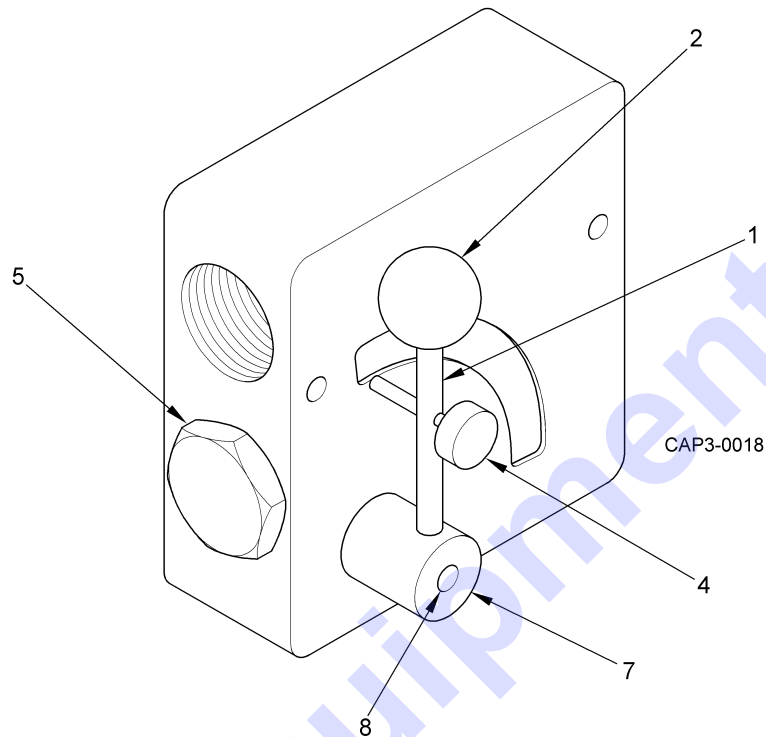
Figure 3-10 Priority Flow Divider



Parts List for Figure 3-10

Item	Part Number	Description	Qty	Notes
	474171	Priority Flow Divider (1 GPM)		
	473520	Priority Flow Divider (3 GPM)		
1		Body, Valve	1	Not available, order complete valve
2	467860	Cartridge, Valve (1 GPM)	1	For Steering
	473587	Cartridge, Valve (3 GPM)	1	For Broom
3	505446	Kit, Seal	1	Not Illustrated

Figure 3-11 Broom Speed Control Valve



Parts List for Figure 3-11

Item	Part Number	Description	Qty	Notes
	9101984	Broom Speed Control Valve		Variable Speed
	463703	Kit, Handle Hardware	1	
1		* Lever, Control	1	
2	9104614	* Knob	1	
3	477525	* Pin, Spring Roll	2	Not Illustrated
4		* Screw, Lock	1	
5		Relief, Valve	1	Order Complete Valve
6	467571	Kit, Seal	1	Not Illustrated
7		Spool, Rotary	1	Order Complete Valve
8		Set Screw	1	
* Included with Handle Hardware Kit 463703				

Parts List for Figure 3-12

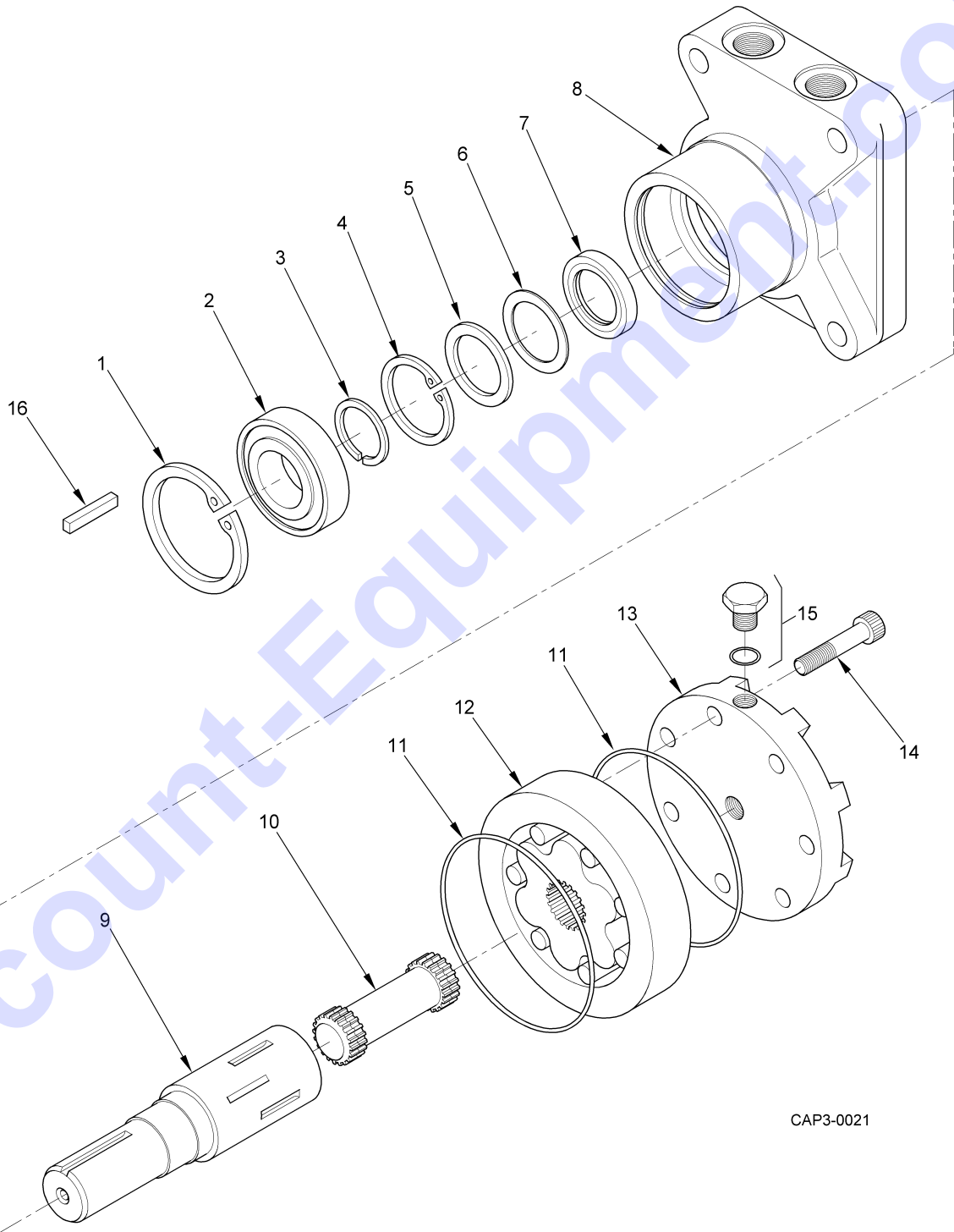
Item	Part Number	Description	Qty	Notes
	9103730	Hydraulic Drive Motor Assembly		
	9101638	Kit, Seal	1	500 - RE (See I.D. Tag, Item 27)
	511607	Kit, Seal	1	600 - DR (See I.D. Tag, Item 27)
1		* Seal Dust	1	
2		* Ring, Wire	1	
3		* Shim Backup	1	
4		* Seal, Carrier	1	
5		* Shim, Backup	1	
6		* Seal, Teflon Backup	1	
7		* Seal, Shaft	1	
8		* Seal, Manifold	1	
9		* Seal, Body	1	
10		* Seal, Commutator	1	
11		* Seal, O-Ring	1	
12		* Seal, Teflon	1	
13		* Seal, High Pressure	1	
14		* Washer, Thrust	1	
15	9104422	Bearing, Thrust	2	500 - RE
	380788	Bearing, Thrust	2	600 - DR
16		Bearing, Front Thrust	1	
17		Housing	1	500 - RE
		Housing	1	600 - DR
18		Bearing, Rear Shaft	1	
19	452771	Link, Drive	1	500 - RE
	380789	Link, Drive	1	600 - DR
20		Plate, Wear	1	
21		Rotor Set	1	
22		Maniflod	1	

6HC/8HC Parts Manual
Section 3. Hydraulic Components

Parts List for Figure 3-12 (Cont.)

Item	Part Number	Description	Qty	Notes
23		Assembly, Commutator	1	
24		Piston, End Cover	1	
25		Spring, Piston	1	
26		Cover, End	1	
27		Tag, I.D.	1	
28		Bolt	7	
29	9104530	Shaft	1	500 - RE
	409940	Shaft	1	600 - DR
* Included with Seal Kits 9101638 and 511607				

**Figure 3-13 Hydraulic Broom Motor Assembly
(P/N 473462)**



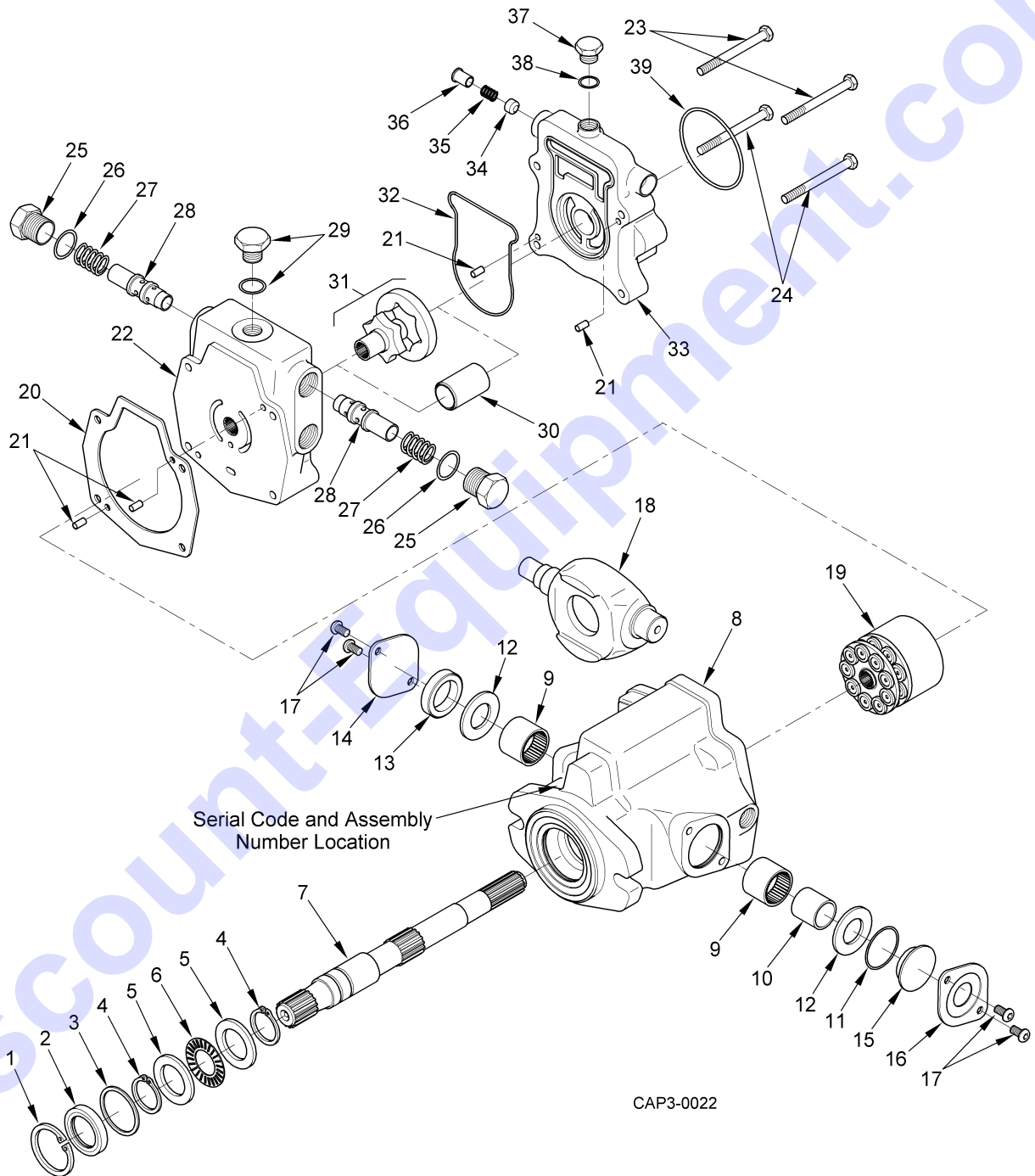
CAP3-0021

6HC/8HC Parts Manual
Section 3. Hydraulic Components

Parts List for Figure 3-13

Item	Part Number	Description	Qty	Notes
	473462	Hydraulic Broom Motor Assembly		
	9104600	Kit, Seal	1	
1		* Ring, Retaining	1	
2		* Bearing, Ball	1	
3		* Ring, Retaining	1	
4		* Ring, Retaining	1	
5		* Washer	1	
6		* Washer, Backup	1	
7		* Seal Pressure	1	
8		Housing	1	Not available, order complete motor
9	9104596	Shaft, Output w/Internal Check Valve	1	
	9104597	Poppet (Shaft Output)	1	
10	468066	Drive	1	
11		* Seal	2	
12	468074	Gerotor	1	
13		Cap, End	1	Not available, order complete motor
14		Capscrew, Internal Hex Hd.	7	
15	421396	Plug/O-Ring, 7/16-20 UNF	1	
16	9102797	Key, Straight	1	
17		Nut, Hex (Not Used)	1	Not Illustrated
* Included with Seal Kit 9104600				

Figure 3-14 Piston Pump



6HC/8HC Parts Manual
Section 3. Hydraulic Components

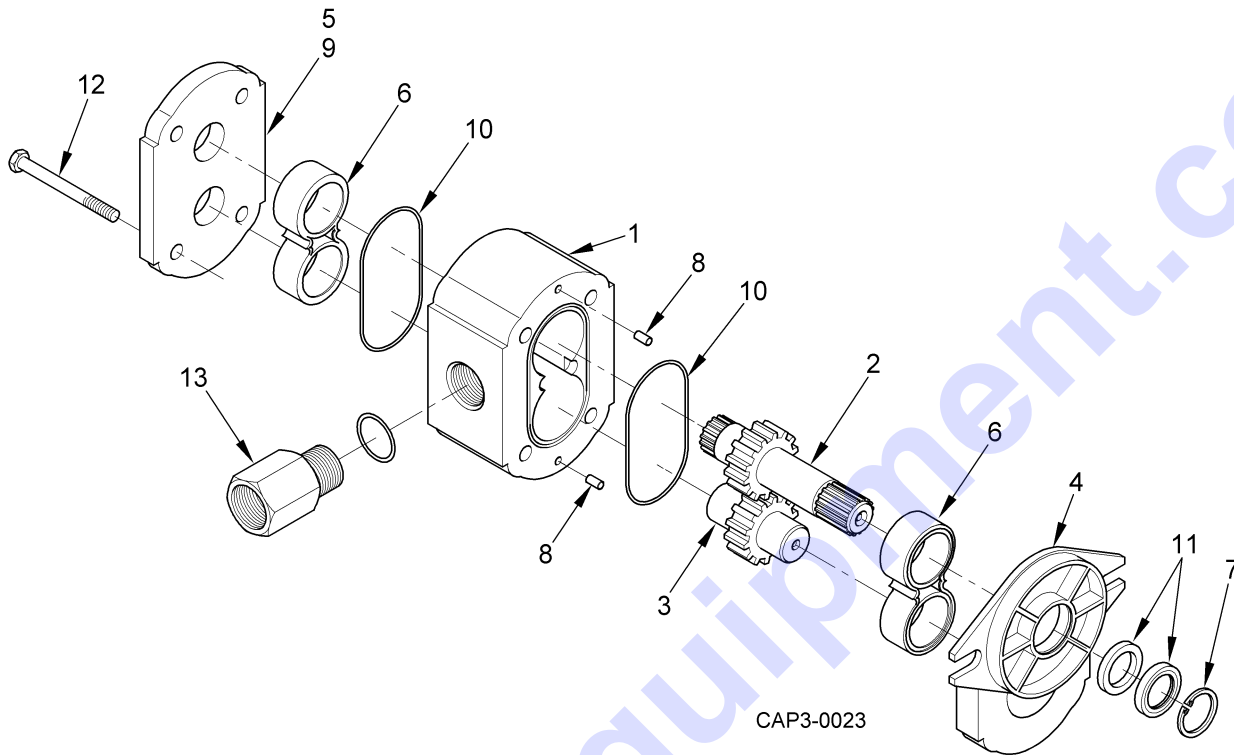
Parts List for Figure 3-14

Item	Part Number	Description	Qty	Notes
	473990	Piston Pump		S/N 26843 and Later
1		* Ring, Retaining	1	
2	456137	* Seal, Shaft	1	
3		Washer	1	
4		* Ring, Retaining	2	
5		Bearing Race	2	
6		Bearing	1	
7	9102394	Shaft, Drive (Splined)	1	
8		Assembly, Housing	1	
9		Bearing	2	
10		Inner Race	1	
11		* O-Ring, #/32 x 1-5/16 I.D.	1	
12		Washer	2	
13		* Seal, Shaft	1	
14		Cover, Seal	1	
15		Cover, O-Ring	1	
16		Cover, Trunnion	1	
17		Screw	4	
18	455352	Camplate	1	
19		Assembly, Rotating Kit	1	
20		* Gasket, Housing	1	
21		Pin, Dowel	4	
22		Assembly, Backplate	1	
23		Capscrew	2	
24		Capscrew	2	
25	V63188400	Assembly, Plug	2	
26		* O-Ring, 3/32 x 7/8 I.D.	2	
27	V63188200	Spring	2	

Parts List for Figure 3-14 (Cont.)

Item	Part Number	Description	Qty	Notes
28	477714	Assembly, Relief Valve	2	
29		Assembly, Plug (Includes O-Ring)	1	
30		Coupler	1	
31		Assembly, Gerotor & Coupler	1	
32		* O-Ring, Molded	1	
33		Assembly, Adapter	1	
34		Poppet, Filter Relief	1	
35		Spring	1	
36		Retainer, Spring	1	
37		Assembly, Plug	1	
38		* O-Ring, 3/32 x 41/64 I.D.	1	
39		* O-Ring, 1/16 x 3-1/4 I.D.	1	
* Items Included with Seal Repair Kit 473989				
	473989	Seal Repair Kit		Not Illustrated
	9103064	Seal Repair Kit		For Piston Pump #9101585 (D1402 & Early V1505) - Not Illustrated
	356960K	Hydraulic Pump Replacement Kit		Not Illustrated - For 9101585 (Kubota)
	356965K	Hydraulic Pump Replacement Kit		Not Illustrated - For Caterpillar
	To Determine:	Old Style Pump with tag 70142-RFQ New Style Pump with tag 70160-REN-03		

Figure 3-15 Auxiliary Pump



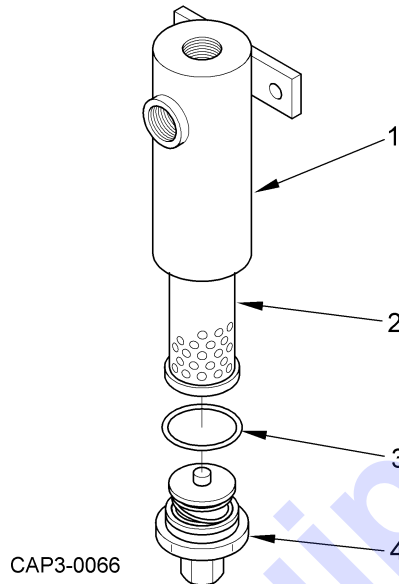
Parts List for Figure 3-15

Item	Part Number	Description	Qty	Notes
	9104033	Auxiliary Pump		
1		Housing Center	1	
2		Shaft, Driver Gear	1	
3		Shaft, Short Gear	1	
4		Cover, Front Mount	1	
5		Cover, Rear, Single Pump	1	
6		Bearing Block, High	2	
7		Snap Ring, Int. Dia. .29"	1	
8		Pin, 6 x 12	2	
	459693	Kit, Complete Seal		
9		* Seal	2	

Parts List for Figure 3-15 (Cont.)

Item	Part Number	Description	Qty	Notes
10		* O-Ring, 313	2	
11		* Shaft Seal, BAB 17.46 x 28.58"	2	
12		Bolt, Hex M20 x 110	4	
13	095216	Adapter w/O-Ring	1	
				* Included with Seal Kit 459693

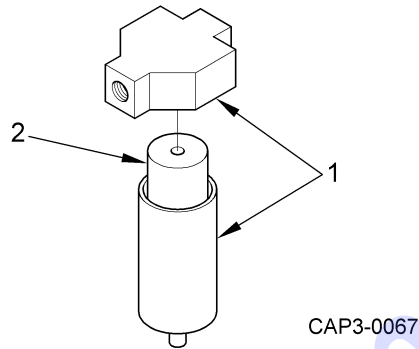
**Figure 3-16 High Pressure Filter Assembly
 S/N 28314 and Earlier**



Parts List for Figure 3-16

Item	Part Number	Description	Qty	Notes
	384735	High Pressure Filter Assembly		
1		Filter, Housing	1	
2	9102324	Filter, Element	1	
3	9103085	Filter, O-Ring	1	
4		Filter, Relief Nut Assembly	1	
	384735	Filter Update Kit	1	Not Illustrated

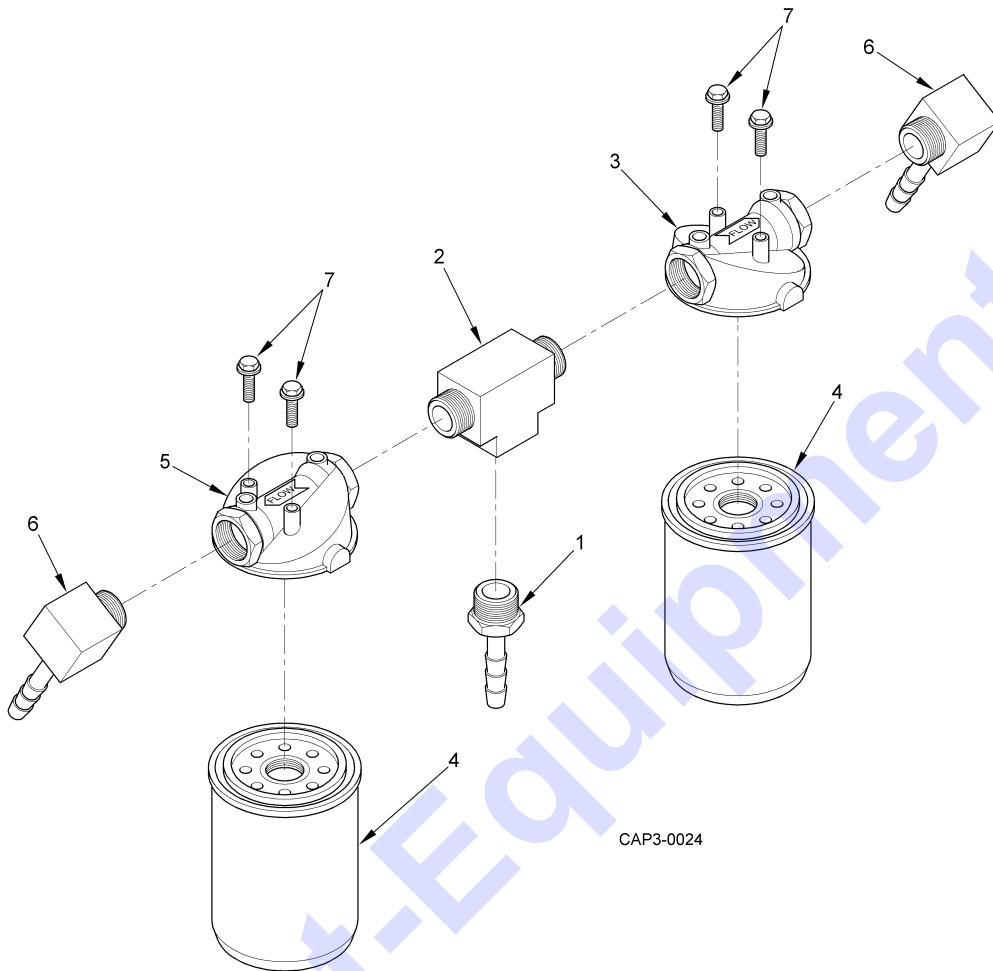
**Figure 3-17 High Pressure Filter Assembly
S/N 28315 and Later**



Parts List for Figure 3-17

Item	Part Number	Description	Qty	Notes
1	475483	Filter, Housing	1	
2	475491	Filter, Element	1	
	420708	Filter, O-Ring	1	

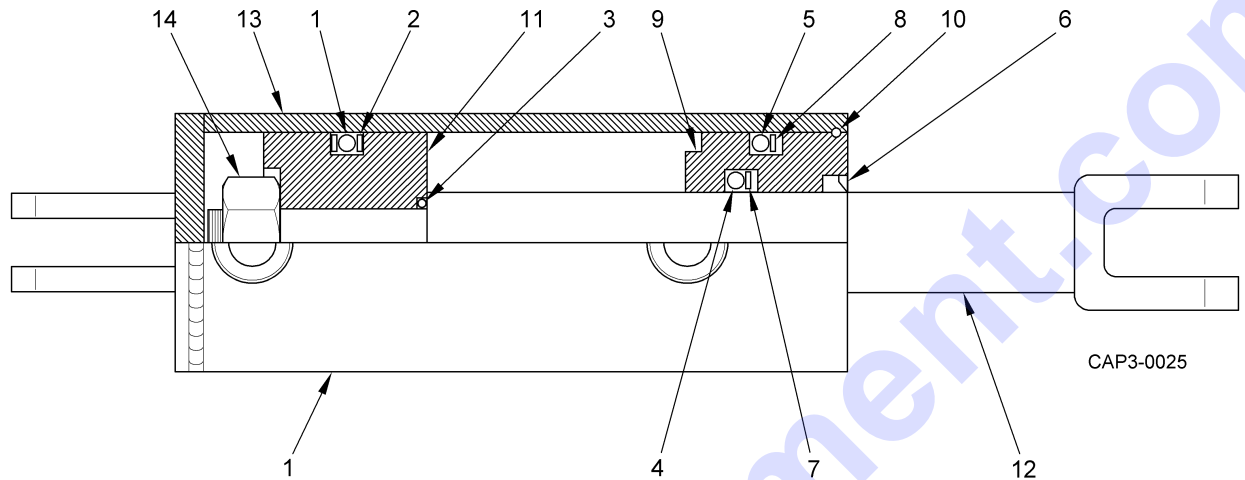
Figure 3-18 Low Pressure Filter Assembly



Parts List for Figure 3-18

Item	Part Number	Description	Qty	Notes
	376442	Low Pressure Filter Assembly		
1	467621	Adapter, Str. -12 NPTM x .50" Hose Barb	1	
2	467605	Adapter, Tee -12 NPTM -12 NPTM -12 NPTM	1	
3	9101797	Head, Filter w/25 PSI Relief	1	
4	9101798	Element, Filter -10 Micron	2	
5	9101796	Head, Blocked Bypass Filter	1	
6	467613	Adapter, 90° -12 NPTM x .50" Hose Barb	2	
7	441550	Capscrew, .25-20NC z .75" Flange Whizlock	4	

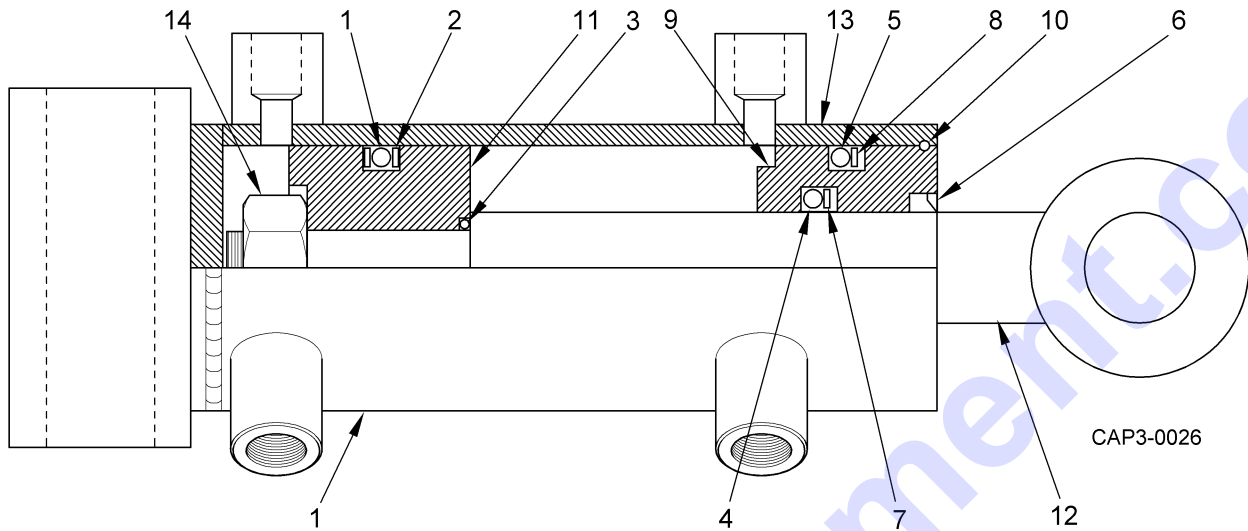
Figure 3-19 Steering Cylinder



Parts List for Figure 3-19

Item	Part Number	Description	Qty	Notes
	467978	Steering Cylinder		2.00" Dia. Bore x 8.00" Stroke
1-8	9104141	Kit, Seal	1	
9	468009	Gland, Head	1	
10	468017	Retainer, Round	1	
11	468025	Piston, Cylinder	1	
12	468041	Rod, Piston	1	
13		Tube, Cylinder	1	Not Serviced Separately
14	092460	Nut, Jam .75-16 NF	1	

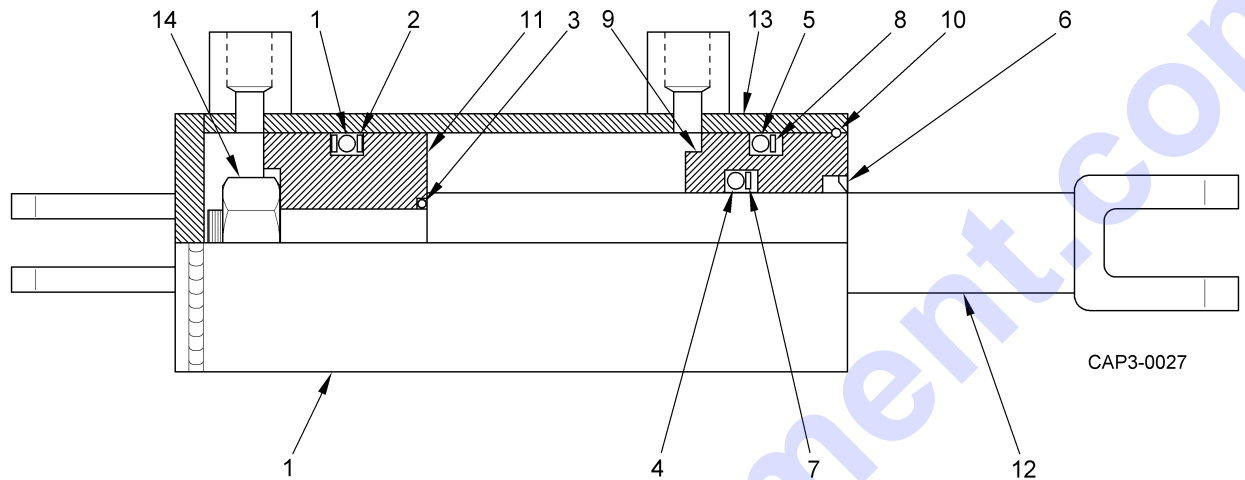
Figure 3-20 Broom Lift Cylinder



Parts List for Figure 3-20

Item	Part Number	Description	Qty	Notes
	376641	Broom Lift Cylinder		2.00" Dia. Bore x 6.00" Stroke
1-8	9104141	Kit, Seal	1	
9	4679939	Gland, Head	1	
10	468017	Retainer, Round	1	
11	468025	Piston, Cylinder	1	
12		Rod, Piston	1	
13		Tube, Cylinder	1	Not Serviced Separately
14	093460	Nut, Jam .75-16 NF	1	

Figure 3-21 Broom Swing Cylinder



Parts List for Figure 3-21

Item	Part Number	Description	Qty	Notes
	467986	Broom Swing Cylinder		2.00" Dia. Bore x 9.00" Stroke
1-8	9104141	Kit, Seal	1	
9	467993	Gland, Head	1	
10	468017	Retainer, Round	1	
11	468025	Piston, Cylinder	1	
12		Rod, Piston	1	
13		Tube, Cylinder	1	Not Serviced Separately
14	092460	Nut, Jam .75-16 NF	1	

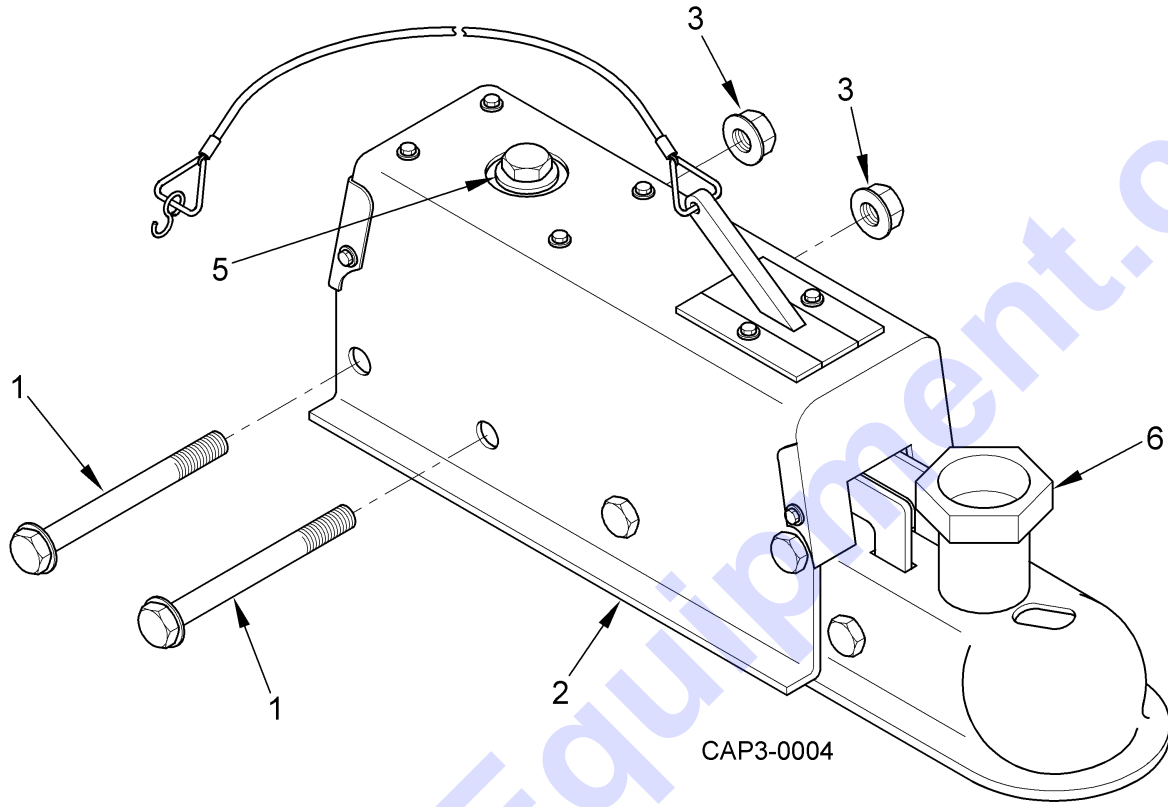
This page left intentionally blank.

Discount-Equipment.com

Section 4. Brakes

Component	Page
Figure 4-1, Surge Brake Actuator.....	4-2
Figure 4-2, Brake Line Assembly	4-4
Figure 4-3, Ground Drive Assembly	4-6
Figure 4-4, Hydraulic Disconnect With Brake Assy (Left or Right)....	4-8
Figure 4-5, Wheel Disconnect With Brake Assy (Left or Right).....	4-10
Figure 4-6, Parking Brake Assembly S/N 26843 and Earlier.....	4-12
Figure 4-7, Parking Brake Assembly S/N 26844 and Later.....	4-14

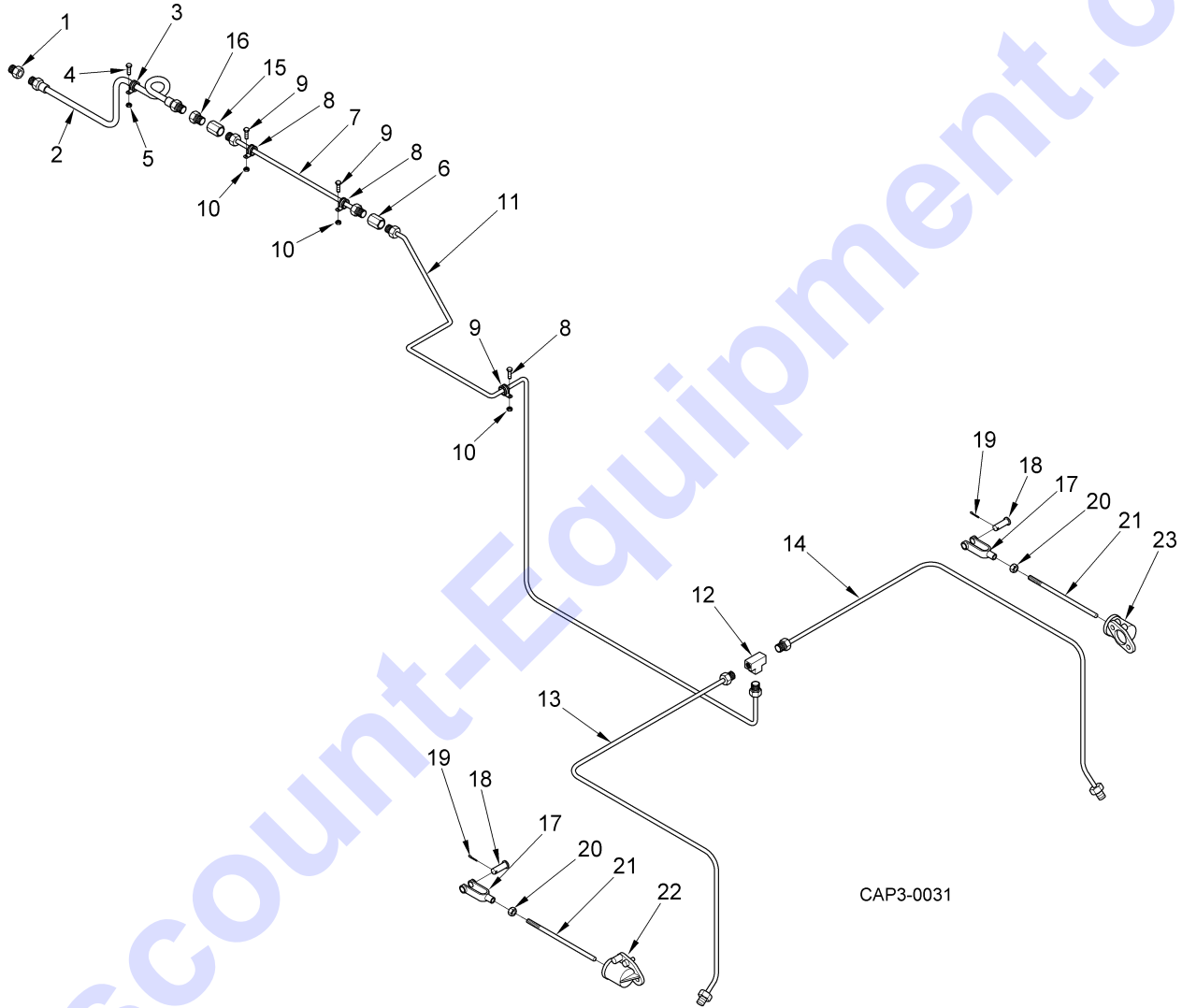
Figure 4-1 Surge Brake Actuator



Parts List for Figure 4-1

Item	Part Number	Description	Qty	Notes
1	011460	Capscrew, .50-13NC x 4.00"	2	
2	447995	2" Ball, Surge Brake Actuator	A/R	
	448084	2 5/16 Ball, Surge Brake Actuator (Optional)		
	448076	3" Pintle Eye, Surge Brake Actuator (Optional)		
	448977	Universal Surge Brake Actuator (Optional)		
3	403907	Hex Nut, .50-13NC Nylok	2	
4	9104396	Adapter, 2", 2-5/16", 3" Tongue	A/R	Not Illustrated
	9104506	Adapter, Universal Tongue		Not Illustrated
5	374009	Cap, Modified Master Cylinder	1	
6	474338	Actuator Nut	1	
	448142	Kit, Master Cylinder Repair (Used on P/N 448084, 448076 and 448977)	1	Not Illustrated
	464735	Kit, Master Cylinder Repair (Used on P/N 447995)	1	Not Illustrated
	461400	Kit Coupler Repair	1	Not Illustrated
		* Lock Nut		
		* Capscrew		
		* Compression Spring		
		* Lock Ring		
		* Plated Ball Latch		
		* Indicates attaching hardware, which may not be shown in illustration		
7	377333	Pig Tail Hitch Harness	1	Not Illustrated
	The following items are used only with Universal Surge Brake Actuator P/N 448977			
	9102857	Coupler, 2" Ball	1	Not Illustrated
	9103126	Coupler, 2-5/16" Ball	1	Not Illustrated
	9101885	Coupler, 3" Pintle Eye	1	Not Illustrated
	012153	Capscrew, .62-11NC x 4.50"	2	Not Illustrated
	406231	Hex Nut, .62-11NC Nylok	2	Not Illustrated

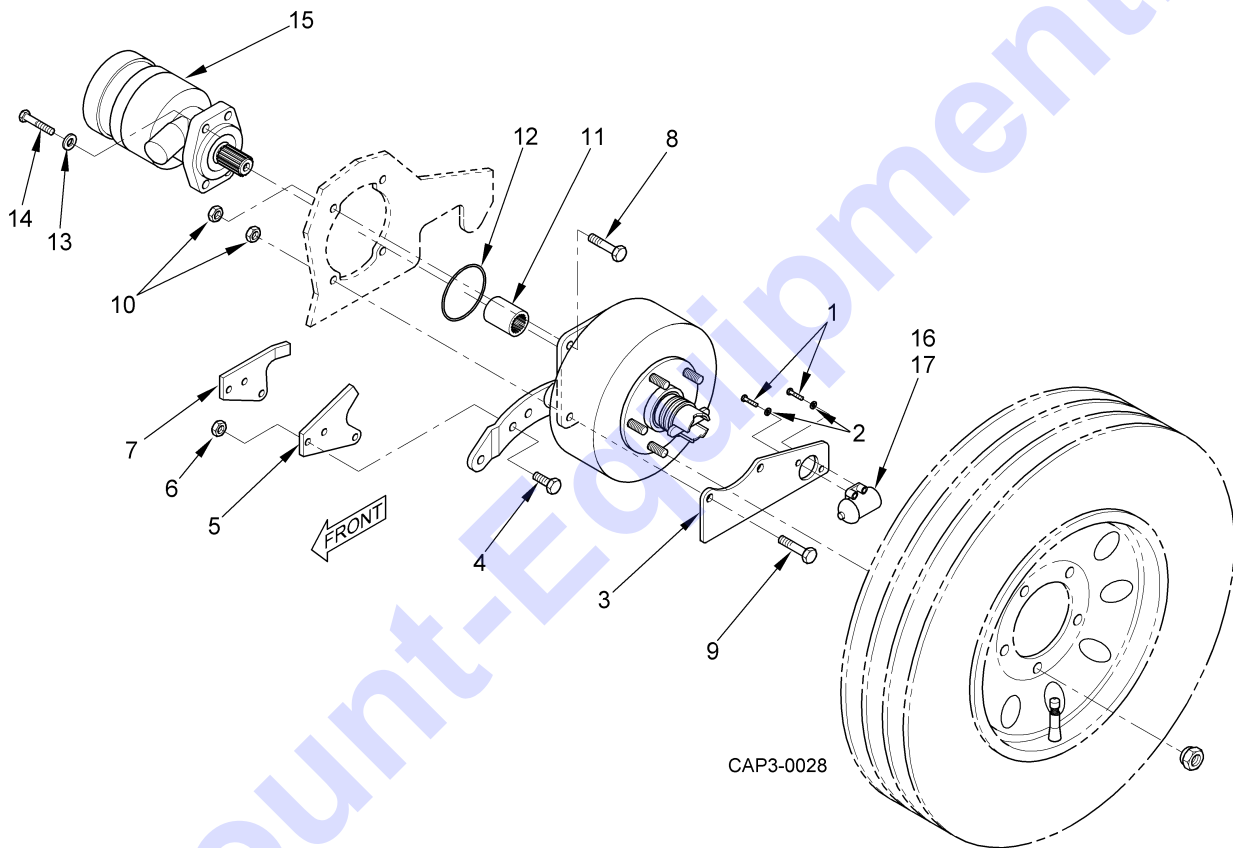
Figure 4-2 Brake Line Assembly



Parts List for Figure 4-2

Item	Part Number	Description	Qty	Notes
	374629	Brake Line Assembly		
1	044495	Connector, .187 Male Inverted Flare to .25 Female Inverted Flare	1	
2	377382	Hose, 04-04MF04MF x 47.00" 100R1	1	
3	028993	Clamp, .50" Dia.	1	
4	441618	Capscrew, .31-18NC x 1.25" Flange Whizlock	1	
5	083493	Nut, .31-18NC Flange Whizlock Gr. G	1	
6	067561	Fitting, .18 Tube x .18 Tube Union FM	1	
7	067728	Tube, .18 Steel Brake x 51.00"	1	
8	036715	Clamp, .25" Dia.	5	
9	441501	Capscrew, .25-20NC x .50" Flange Whizlock	5	
10	440636	Hex Nut, .25-20NC Flange Whizlock	5	
11	377150	Tube, .18 Steel Brake x 60.00"	1	
12	434944	Adapter, Tee .18 Female	1	
13	377168	Tube, .18 Steel Brake R.H. x 40.00"	1	
14	377176	Tube, .18 Steel Brake L.H. x 40.00"	1	
15	448845	Union, .25 Tube Inverted Flare	1	
16	077495	Fitting, .187" Tube to .25" Tube	1	
17	031930	Clevis, Rod End .37-24NF	2	
18	025767	Pin, Clevis .31 x 1.125"	2	
19	015123	Pin, Cotter .125 x .75" Steel Pl.	2	
20	031948	Hex Nut, 3/8-24NF	2	
21	9104334	Rod, Push - Wheel Cylinder	2	
22	409110	Cylinder, L.H. Wheel	1	
23	409128	Cylinder, R.H. Wheel	1	

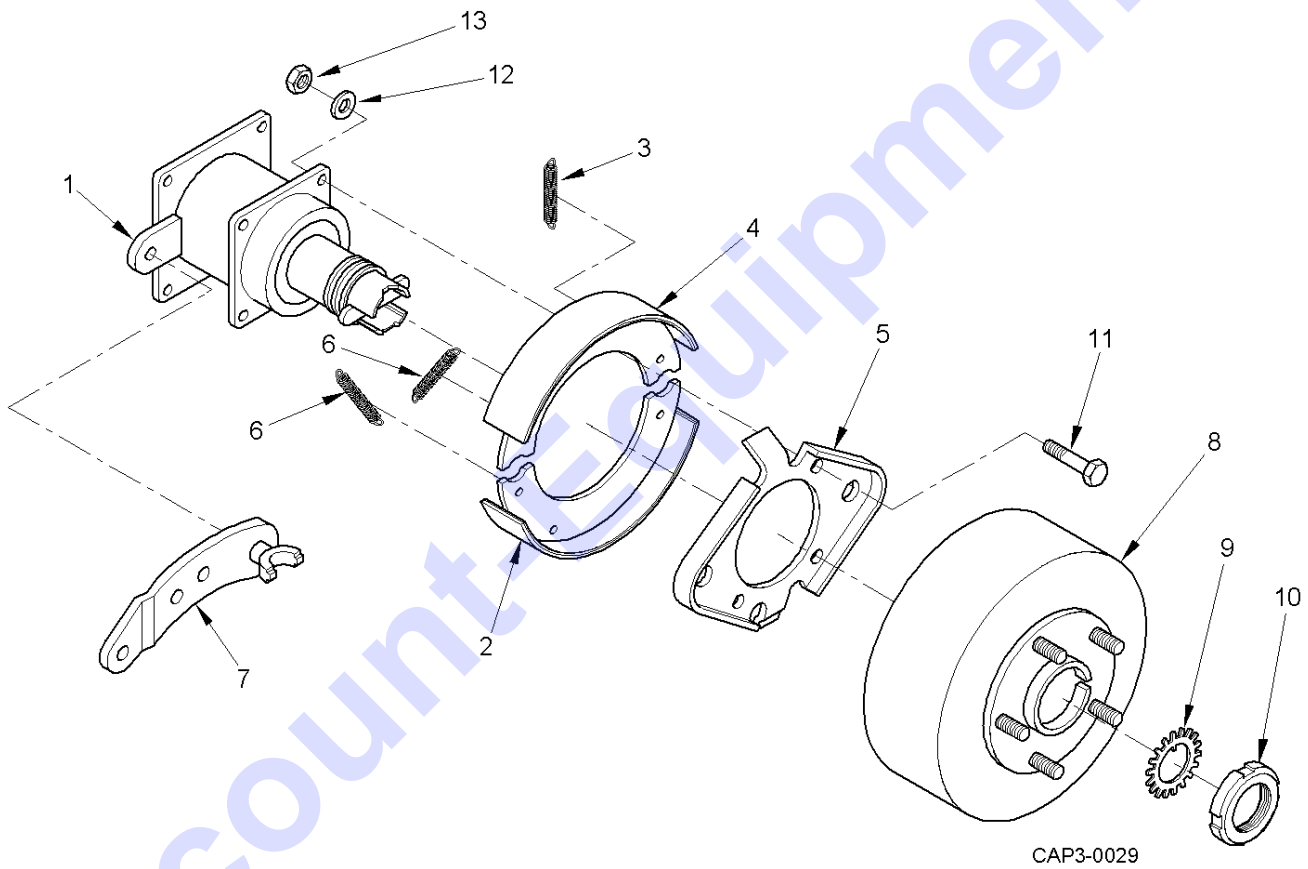
Figure 4-3 Ground Drive Assembly



Parts List for Figure 4-3

Item	Part Number	Description	Qty	Notes
1	010322	Capscrew, .31-18NC x .75	4	
2	010561	Lock Washer, .31	4	
3	9104327	Plate, Wheel Cylinder Mount	1	
4	010629	Capscrew, .37-16NC x 1.00"	4	
5	9104331	Lever, Brake - L.H.	1	
6	052223	Lock Nut, .37-16NC	4	
7	9104328	Lever, Brake - R.H.	1	
8	011395	Capscrew, .50-13NC x 2.25"	2	
9	011403	Capscrew, .50-13NC x 2.50" Pl.	2	
10	403907	Lock Nut, .50-13NC Nylon Insert	4	
11	9104349	Disconnect Complete w/Brake	1	
12	9101452	O-Ring	1	
13	011643	Lock Washer, .50"	4	
14	056879	Capscrew, .50-20NF x 1.25"	4	
15		Motor, Hydraulic Drive	1	See Figure 3-12, Hydraulic Drive Motor Assembly.
16	409110	Wheel Cylinder, L.H.	1	
17	409128	Wheel Cylinder, R.H.	1	
Quantities are Shown Per Side				

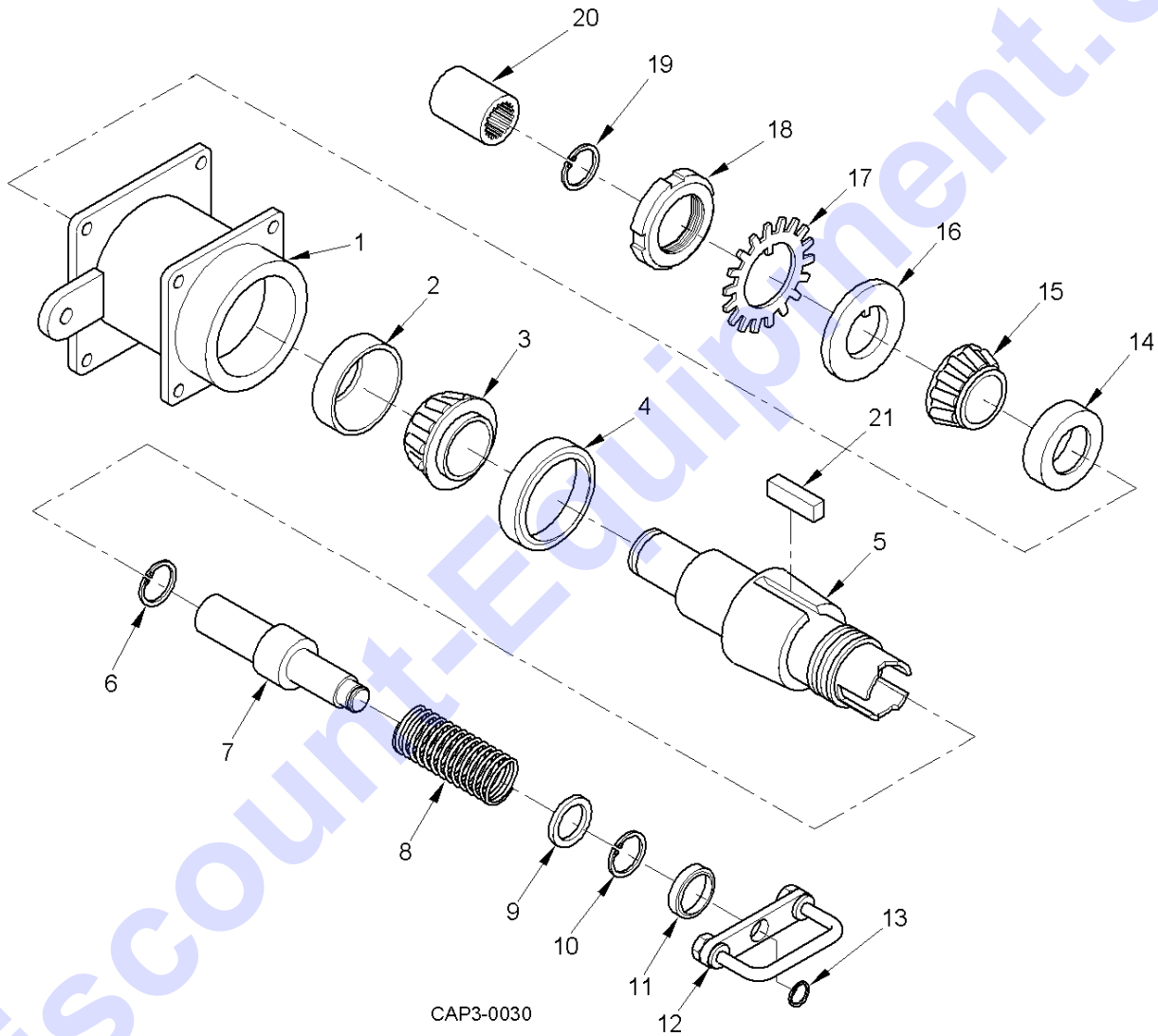
Figure 4-4 Hydraulic Disconnect With Brake
Assy (Left or Right)



Parts List for Figure 4-4

Item	Part Number	Description	Qty	Notes
	9104349	Hydraulic Disconnect with Brake Assembly		
1		Hub	1	See Figure 4-5, Wheel Disconnect With Brake Assy (Left or Right).
2	9101879	Assembly, Brake Pad	1	
3		* Spring	1	
4		* Pad, Brake	2	
5		* Plate, Backing	1	
6		* Spring	2	
7	9103170	Disconnect Brake Arm	1	
8	9103171	Disconnect Brake Drum	1	Wheel Bolt 452193 on Drum (Not Sold Separately)
9	9102092	Disconnect Lock Ring	1	
10	9102091	Disconnect Lock Nut	1	
11	056879	Capscrew, 1/2-20NF x 1.25"	4	
12	011643	Lock Washer, 1/2"	4	
13	041582	Nut, 1/2-20NF	4	
14	366914	Hub Wrench	1	Not Illustrated

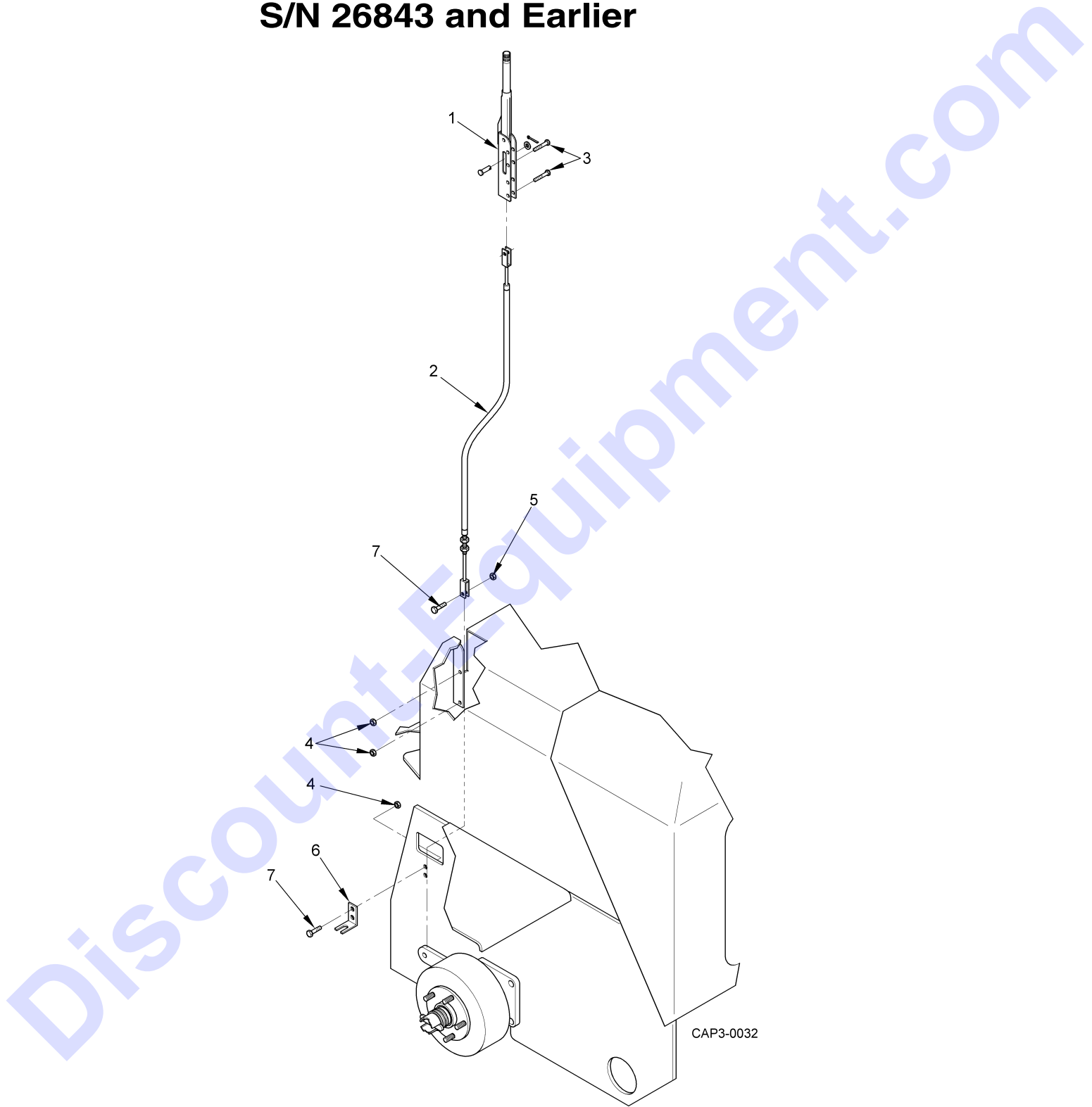
Figure 4-5 Wheel Disconnect With Brake
Assy (Left or Right)



Parts List for Figure 4-5

Item	Part Number	Description	Qty	Notes
	9104349	Wheel Disconnect w/Brake Assembly		
1	9103168	Housing	1	Without Brake, Housing Only
2	V61011600	Cup, Outer Bearing	1	
3	V61011700	Cone, Outer Bearing	1	
4	9102975	Seal, Inner Bearing	2	
5	9103159	Spindle Shaft, Disconnect	1	
6	9103160	Snap Ring, O.D.	1	
7	9103161	Shaft, Internal Small	1	
8	9102945	Spring, Hydraulic Disconnect	1	
9	9102976	Washer, Hydraulic Disconnect	1	
10	9103162	Snap Ring, Hydraulic Disconnect		
11	9102974	Outer Seal, Disconnect Small	1	
12	9104636	Disconnect, Ear/Handle	1	
13	034660	Disconnect, Ear/Handle Snap Ring	1	
14	066993	Disconnect, Inner Bearing Cup	1	
15	067017	Disconnect, Inner Bearing Cone	1	
16	9103165	Disconnect, Inner Bearing Tongue Washer	1	
17	9102092	Disconnect, Lock Ring	2	
18	9102091	Disconnect, Lock Nut	2	
19	9103163	Disconnect, Spline Coupler Snap Ring	1	
20	9101468	Disconnect, Spline Coupler	1	
21	9103167	Disconnect, Wheel Hub Key	1	
22	042275	Plug, 1/8 NPT Hex Countersunk	2	Not Illustrated

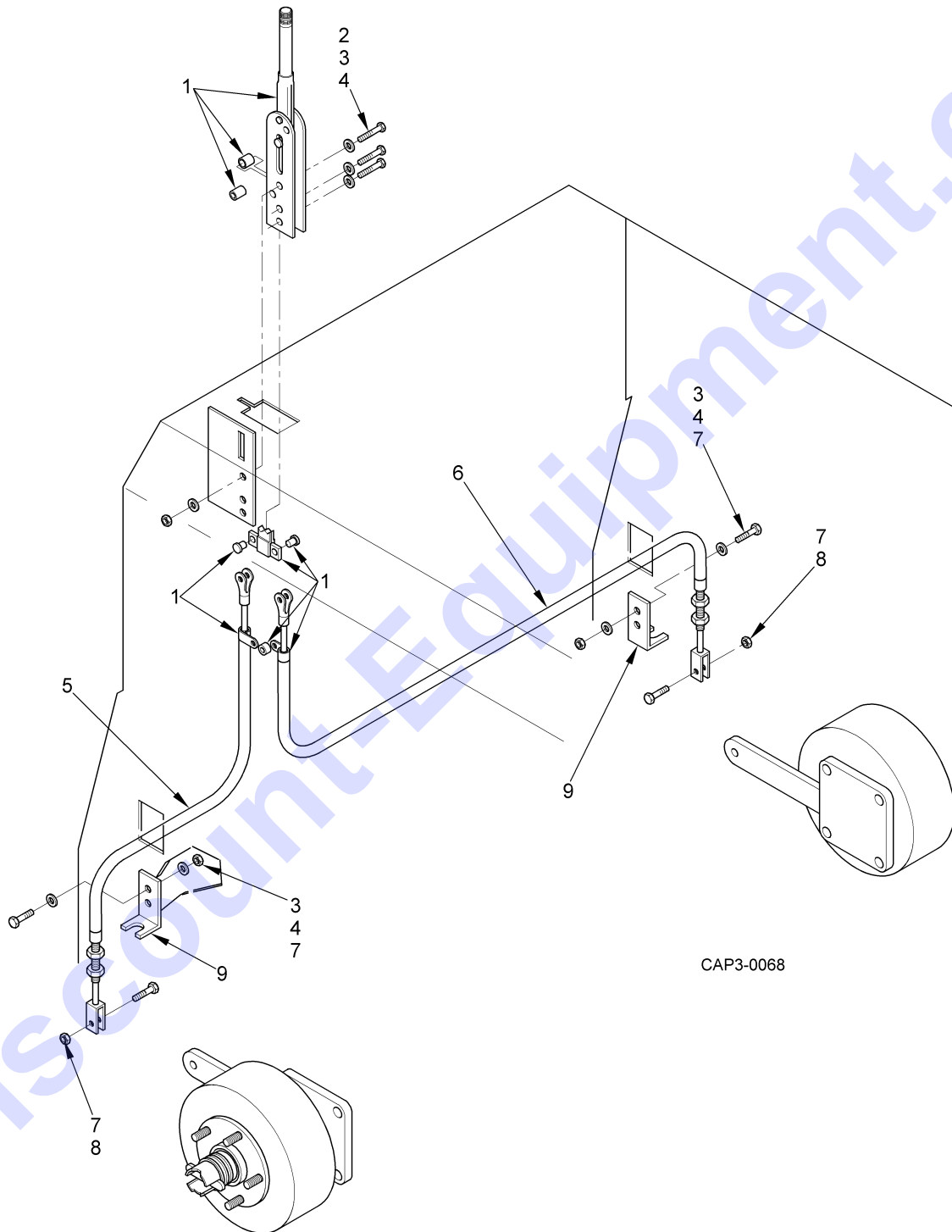
**Figure 4-6 Parking Brake Assembly
S/N 26843 and Earlier**



Parts List for Figure 4-6

Item	Part Number	Description	Qty	Notes
	377143	Parking Brake Assembly		S/N 26843 and Earlier
1	467597	Assembly, Handle	1	
2	467589	Assembly, Cable	1	
3	441634	Capscrew, 5/16-18NC x 1.75" Flange Whizlock	2	
4	083493	Nut, 5/16-18NC Flange Whizlock	4	
5	093799	Nut, 5/16-18NC Nylock	1	
6	377648	Mount, Brake Cable	1	
7	441600	Capscrew, 5/16-18NC x 1.00" Flange Whizlock	3	

Figure 4-7 Parking Brake Assembly
S/N 26844 and Later



CAP3-0068

Parts List for Figure 4-7

Item	Part Number	Description	Qty	Notes
1	467600	Assembly, Brake Lever	1	
2	441634	Bolt, 5/16-18NC x 1.75"	3	
3	010579	Washer, Flat 5/16" SAE	14	
4	083493	Nut, 5/16-18NC Metal Lock	7	
5	467598	Cable Assembly, 33.75" Lg.	1	
6	467599	Cable Assembly, 56.13" Lg.	1	
7	441600	Bolt, 5/16-18NC x 1.0"	6	
8	093799	Nut, 5/16-18NC Nylock	2	
9	377648	Bracket, Brake Cable	2	

This page left intentionally blank.

Discount-Equipment.com

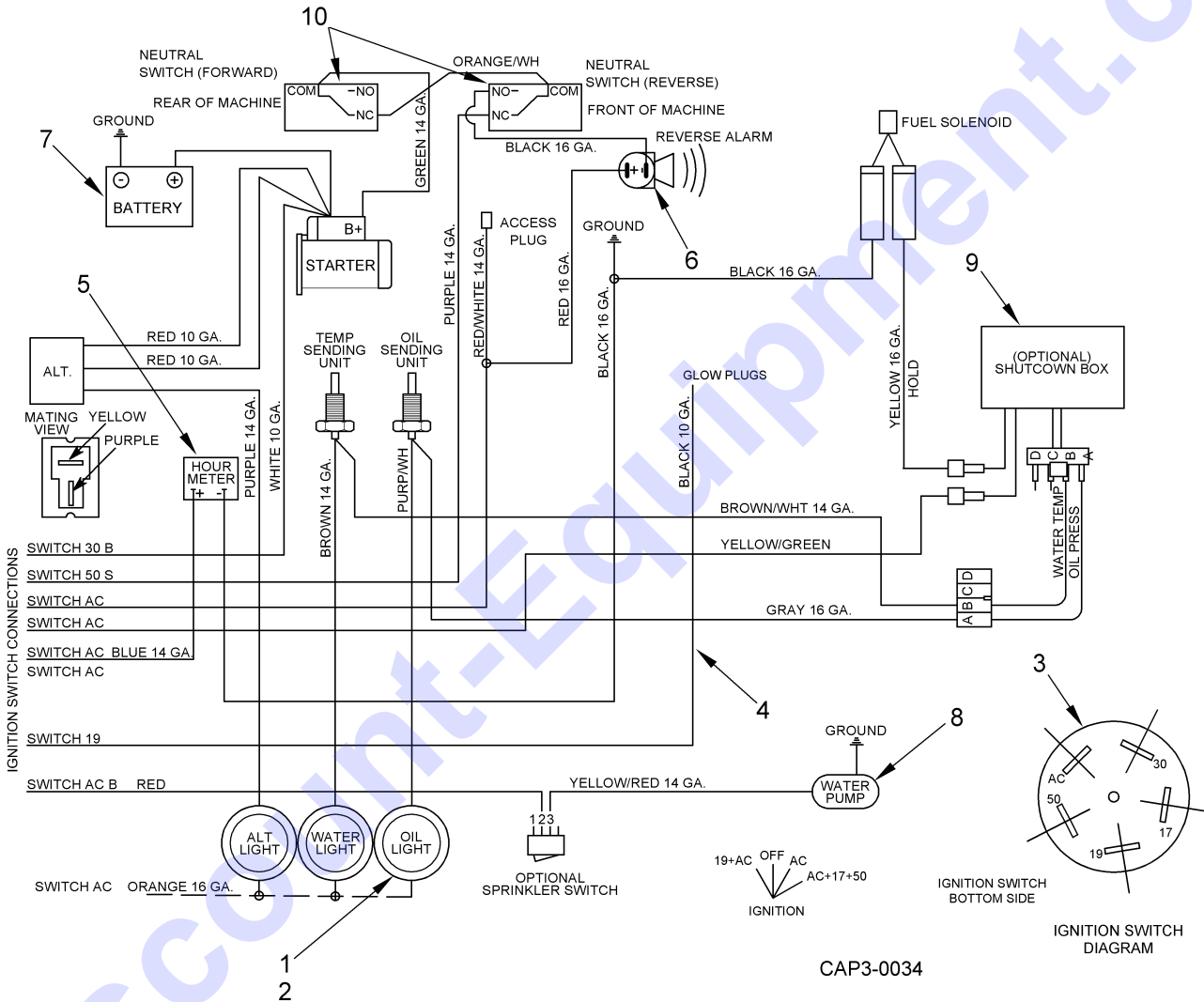
Section 5. Electrical

Component	Page
Figure 5-1, Electrical Wiring Harness	5-2
Figure 5-2, Electrical Wiring Harness (Caterpillar Only)	5-4
Figure 5-3, Tail Light Assembly	5-6
Figure 5-4, Battery Assembly	5-7
Figure 5-5, Engine Emergency Shutdown Assembly	5-9
Figure 5-6, Hub Disengage Warning System	5-10

Parts List for Figure 5-1

Item	Part Number	Description	Qty	Notes
1	057448	Light, Red Indicator	3	
2	060624	Bulb, 12V 2-Watt	3	
3	9101497	Switch, Ignition	1	
	468082	Switch, Ignition	1	
	9101528	Key (Set of 2 included with Switch)	1	
	468090	Key (Set of 2 included with Switch)	1	
4	377077	Assembly, Main Wiring	1	Rev Code 005 and Earlier
	386441	Assembly, Main Wiring	1	Rev Code 007 and Later
5	460485	Meter, Hour	1	
6	473736	Alarm, Reverse	1	
7		Battery, 12C Group 78-60	1	See Figure 5-4, Battery Assembly.
8	416826	Pump, Water	1	
9	9101888	Pump, Electric Fuel	1	
10	465229	Module, Engine Protection	1	
11	9104049	Switch, Forward/Reverse	2	
	477182	Switch, Forward/Reverse	2	For Units Made After July 2002
12	447813	Solenoid, Fuel Shut-Off - 3 Wire	1	Earlier Models
	447673	Solenoid, Fuel Shut-Off - 2 Wire		
13	473066	Gasket, Fuel Solenoid	1	
14	442095	Relay, 12V 30 Amp	1	Not Illustrated
15	477406	Solenoid Terminal Connector Kit	1	Not Illustrated
	460113	Switch, Pump Sprinkler	1	Not Illustrated

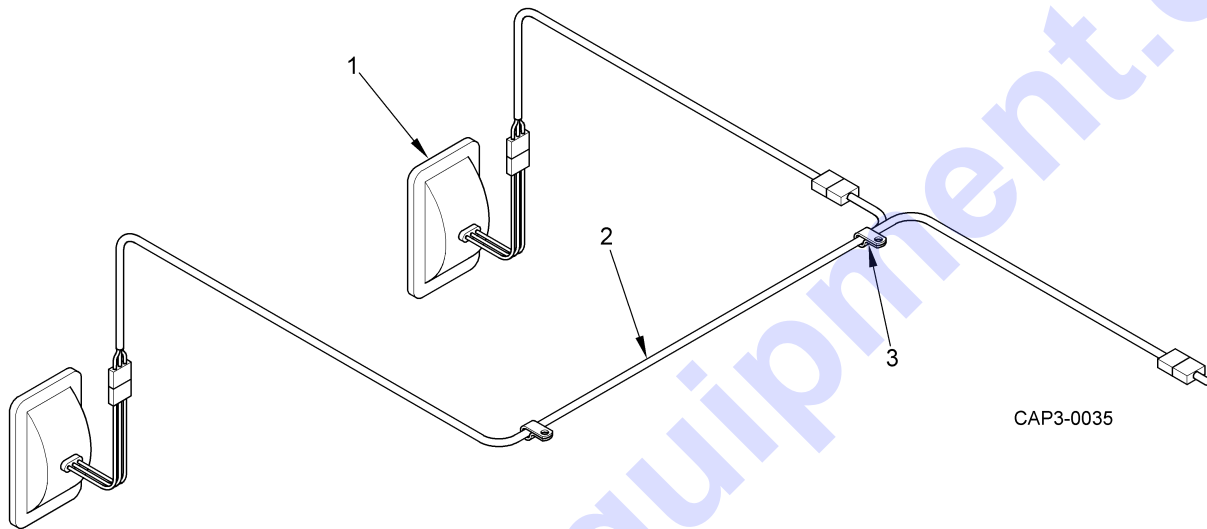
Figure 5-2 Electrical Wiring Harness
 (Caterpillar Only)



Parts List for Figure 5-2

Item	Part Number	Description	Qty	Notes
1	057448	Light, Red Indicator	3	
2	060624	Bulb, 12V 2-Watt	3	
3	476087	Switch, Ignition	1	
	476088	Key (Set of 2 Included with Switch)	1	
4	385039	Assembly, Main Wiring	1	
5	460485	Meter, Hour	1	
6	464271	Alarm, Reverse	1	
7		Battery, 12C Group 78-60	1	
8	416826	Pump, Water	1	(optional)
9	465229	Module, Engine Protection	1	(optional)
10	9104049	Switch, Forward/Reverse	2	

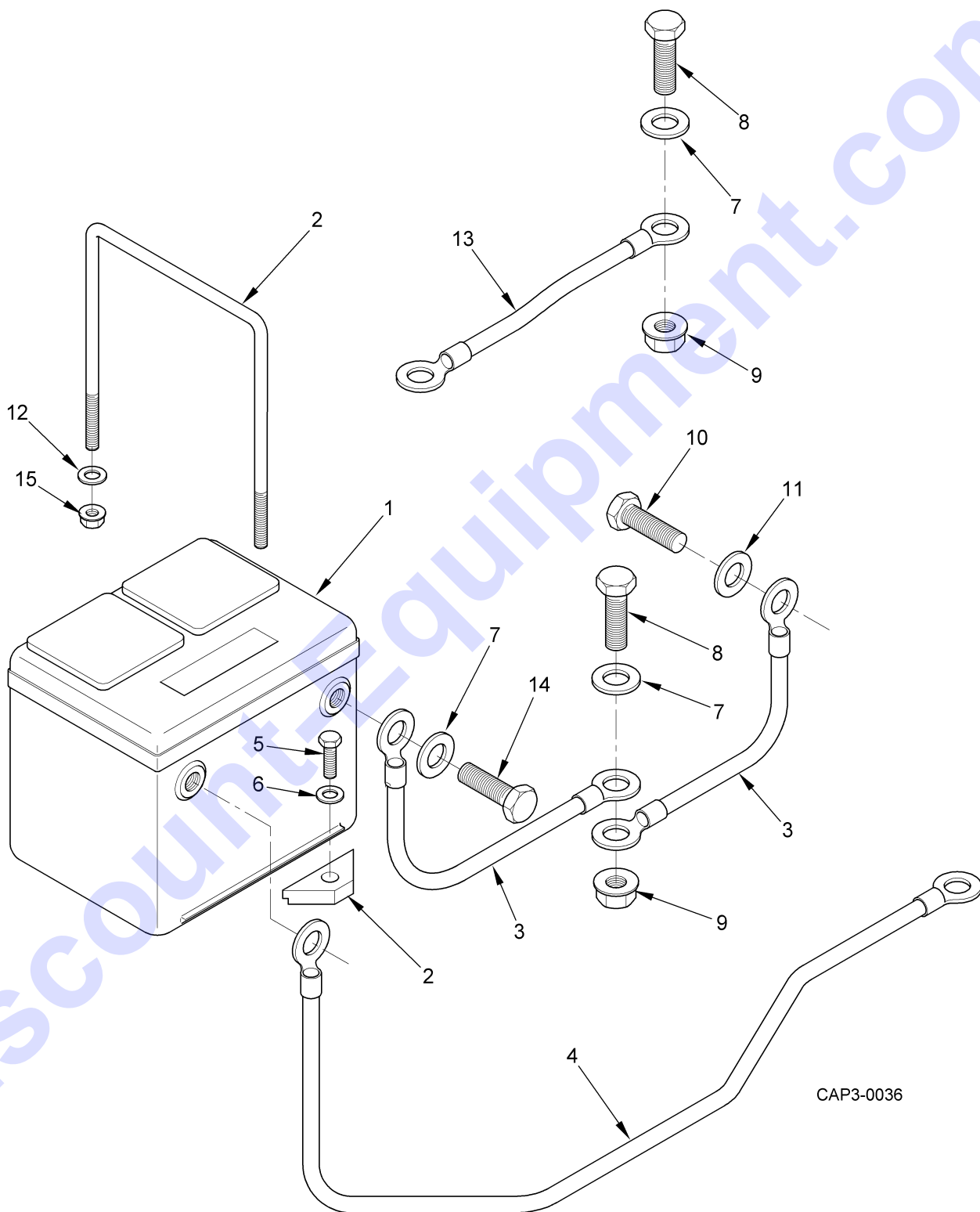
Figure 5-3 Tail Light Assembly



Parts List for Figure 5-3

Item	Part Number	Description	Qty	Notes
1	377069	Assembly, Tail Light	2	
2	377051	Harness, Wiring	1	
3	028993	Clamp, .50" I.D.	2	
4	377077	Harness, Main	1	Not Illustrated
5	377333	Harness, Hitch - Connects to Main Harness	1	Not Illustrated
6	377325	Harness, Tail Light Frame	1	Not Illustrated

Figure 5-4 Battery Assembly



CAP3-0036

Parts List for Figure 5-4

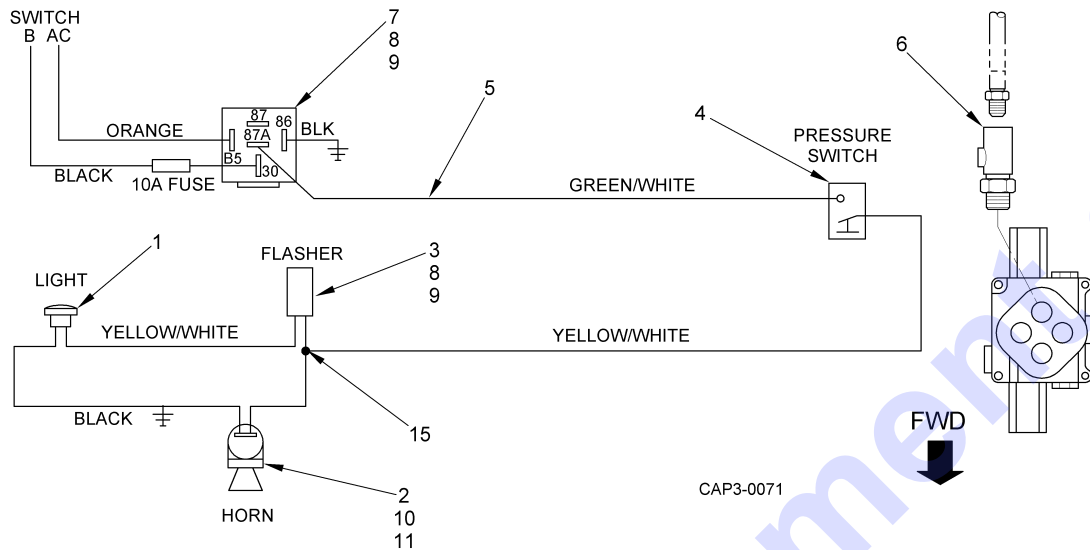
Item	Part Number	Description	Qty	Notes
1	9101583	Battery, 12C Group-78-60	1	Not Available for Part Sales
2	9102915	U-Bolt, Battery Hold-Down (Early Style)	1	
	474882	Battery Hold Down	1	
3	376822	Cable, Battery x 8.00"	2	Kubota
4	474924	Cable, Battery x 36.00"		Caterpillar
	376830	Cable, Battery x 30.00"		Kubota
5	010363	Capscrew, 31-16NC x 1.50 Pl.	1	
6	010579	Flat Washer, .50" Pl.	1	
7	011031	Flat Washer, .38" Pl.	3	
8	441667	Capscrew, .38-16NC x 1.00" Flange Whizlock	1	
9	083501	Hex Nut, .38-16NC Flange Whizlock	1	
10	459479	Capscrew, M10 x 1.25-25mm Hex Head	1	Kubota
11	011650	Flat Washer, .50" Pl.	1	Kubota
12	010579	Flat Washer, .31" Pl.	1	Kubota
13	314294	Cable, Battery 19"	1	Caterpillar
14	010629	Capscrew, .38-16NC Hex Head x 1.00"	2	
15	093799	Nut, .31-18NC Nylon Head	2	

**Figure 5-5 Engine Emergency Shutdown Assembly
(Not Illustrated)**

Parts List for Figure 5-5

Item	Part Number	Description	Qty	Notes
	374967	Engine Emergency Shutdown Assembly		
1	465229	Module, Engine Protection	1	
2	441501	Capscrew, .25-20NC x .50" Flange Whizlock	2	
3	440636	Nut, .25-20NC Flange Whizlock	2	

Figure 5-6 Hub Disengage Warning System



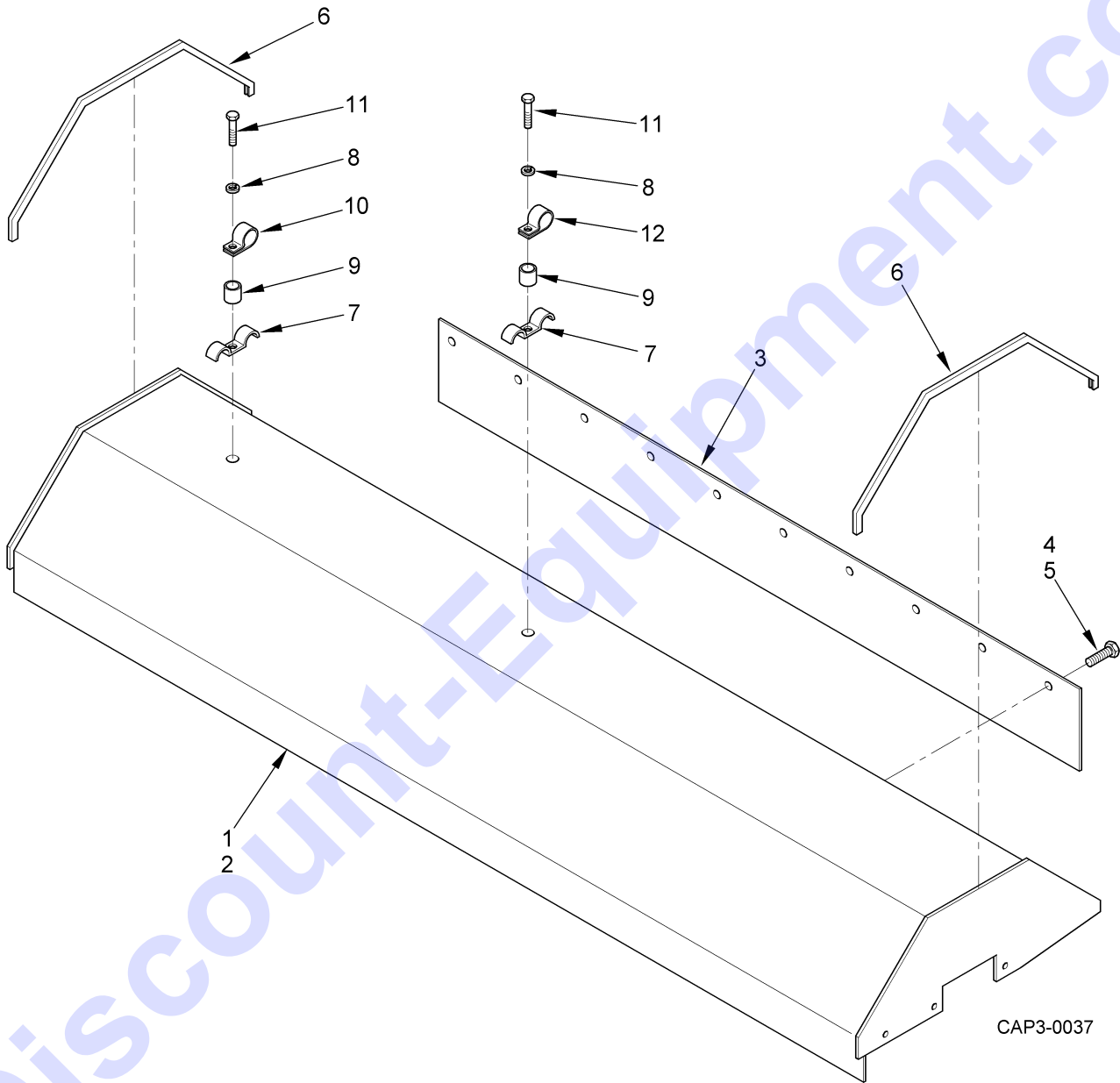
Parts List for Figure 5-6

Item	Part Number	Description	Qty	Notes
	331587	Hub Disengage Warning System		
1	446229	Light, Oval Tail	1	
2	476937	Horn, 12V - with Bracket	1	
3	V63121300	Flasher, Turn Signal	1	
4	475889	Switch, Pressure	1	
5	331579	Harness, Wiring (Unlock Hubs)	1	
6	475871	Adapter, Test Port	1	
7	442095	Relay, 30A	1	
8	465104	Screw, 8-32 Phillips Hd. x .50	2	
9	465153	Nut, 8-32 Stainless Hex	2	
10	441519	Capscrew, .31-18NC Flange Hd. x .50	1	
11	474734	Nut, .31-18NC Hex	1	
12	041236	Tie, Cable	10	Not Illustrated
13	331561	Cover, Dash - with Light Hole	1	Not Illustrated
14	472704	Decal, "Disengage Rear Hubs"	1	Not Illustrated
15	V01162800	Terminal, .25 Male Slide	1	

Section 6. Broom

Figure 6-1, Hood Assembly.....	6-2
Figure 6-2, Broom Assembly.....	6-4
Figure 6-3, Broom Frame Assembly.....	6-6
Figure 6-4, Down Pressure Spring Assembly	6-8
Figure 6-5, Water Pump	6-10
Figure 6-6, Broom Kits	6-11

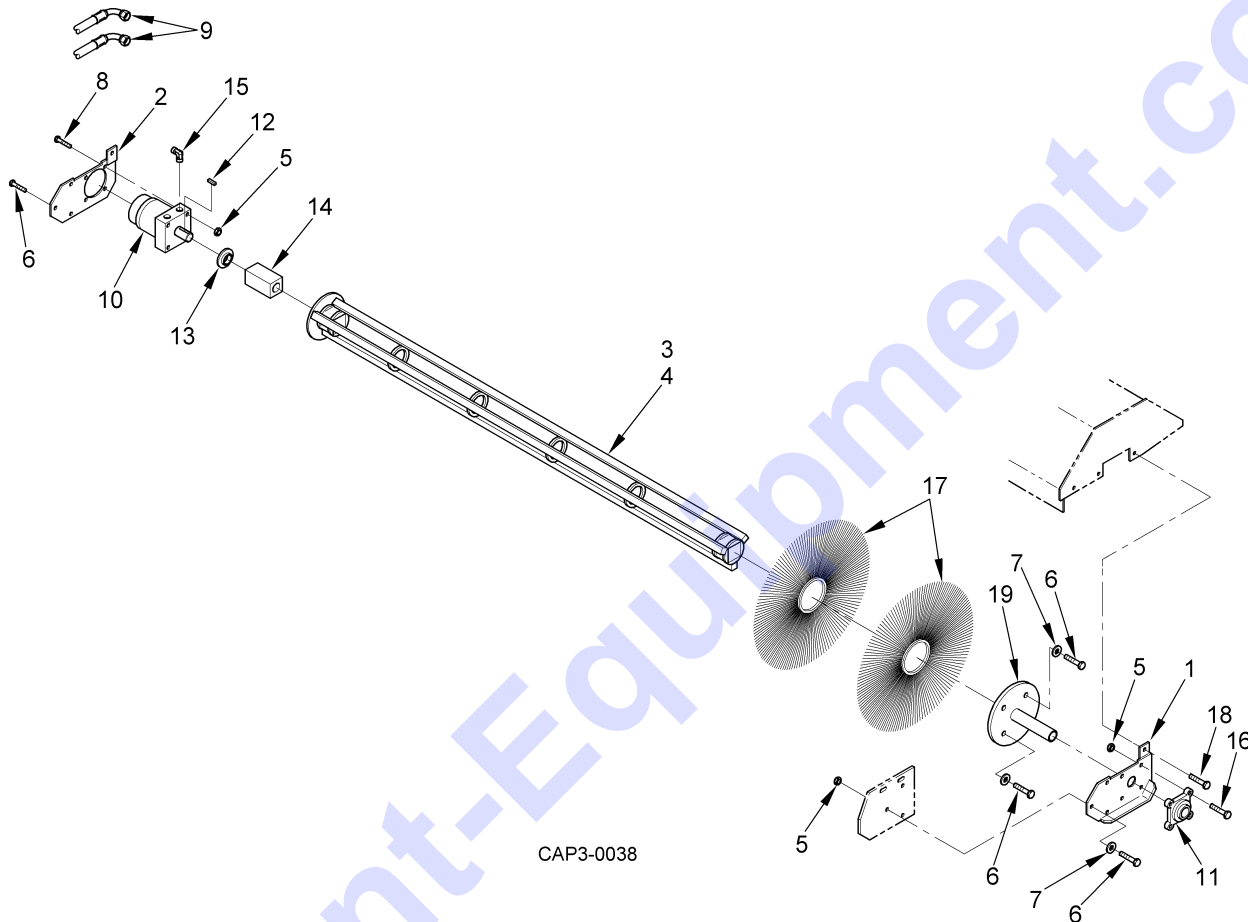
Figure 6-1 Hood Assembly



Parts List for Figure 6-1

Item	Part Number	Description	Qty	Notes
1	381988	Weldment, Hood	1	6' Broom
2	382002	Weldment, Hood	1	8' Broom
3	377614	Deflector, Dirt Belt	1	8' Broom
	377622	Deflector, Dirt Belt	1	6' Broom
4	441568	Capscrew, .25-20NC x 1.00" Flange Whizlock	16	8' Broom
	441568	Capscrew, .25-20NC x 1.00" Flange Whizlock	12	6' Broom
5	440636	Hex Nut, .25-20NC Flange Whizlock Gr. G	16	8' Broom
	440636	Hex Nut, .25-20NC Flange Whizlock Gr. G	12	6' Broom
6	074567	Trim, Flex Core .06		8.2'
7	9100716	Clamp, Hose	3	8' Broom
	9100716	Clamp, Hose	2	6' Broom
8	011023	Lock Washer, 3/8 Pl.	3	8' Broom
	011023	Lock Washer, 3/8 Pl.	2	6' Broom
9	147322	Tube, 3/8 Sched. 40 x 5/8"	3	8' Broom
	147322	Tube, 3/8 Sched. 40 x 5/8"	2	6' Broom
10	028993	Clamp, .50 I.D.	3	8' Broom
	028993	Clamp, .50 I.D.	2	6' Broom
11	010645	Capscrew, 3/8-16NC x 1.50" Nink Gr. 5	3	8' Broom
	010645	Capscrew, 3/8-16NC x 1.50" Nink Gr. 5	2	6' Broom
12	461384	Clamp, Hose .812 I.D.	1	

Figure 6-2 Broom Assembly



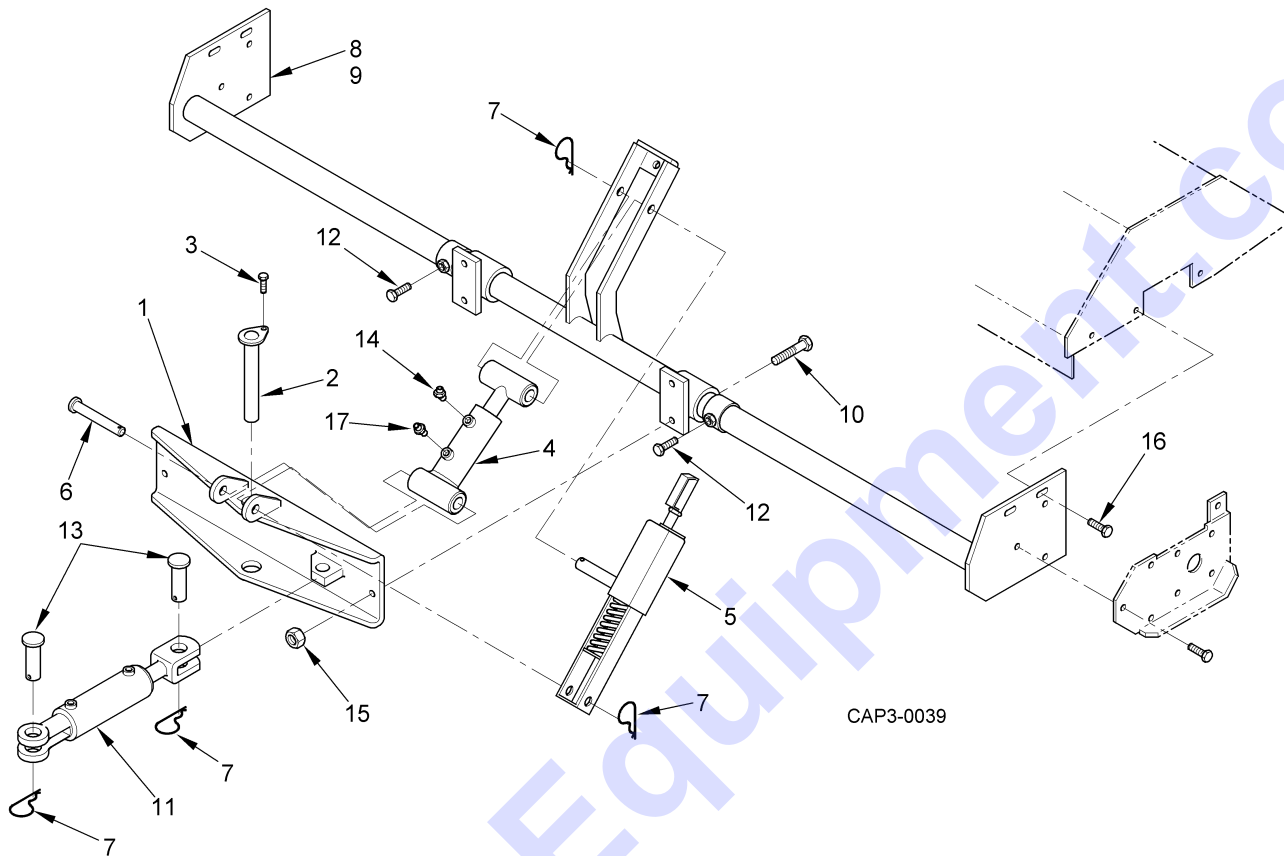
Parts List for Figure 6-2

Item	Part Number	Description	Qty	Notes
	374983	Broom Assembly		6' Broom
	374975	Broom Assembly		8' Broom
1	376590	Weldment, Right Broom Bearing Mount	1	
2	376608	Weldment, Left Broom Motor Mount	1	
3	9102691	Weldment, 6' Broom Core	1	
4	9102693	Weldment, 8' Broom Core	1	

Parts List for Figure 6-2 (Cont.)

Item	Part Number	Description	Qty	Notes
5	440644	Hex Nut, .50-13NC Flange Whizlock	14	
6	056879	Bolt, .50-13NC x 1.25" Flange Whizlock	10	
7	011650	Flat Washer, .50	10	
8	011403	Capscrew, .50-13NC x 2.50" Pl.	4	
9	381376	Hose, 08-08JS08J9 x 100.00" 100R2	2	6' Broom
	477621	Hose, 08-08JS08J9 x 110.00" 100R2	2	8' Broom
10	473462	Motor, Broom	1	
11	V66005800	Bearing, Broom Carrier	1	
12	9101779	Key, Special (Roller Stator Motor)	1	
	379693	Guard, Broom Motor	1	Not Illustrated
13	378513	Guard, Seal Broom Drive Motor	1	
14	9102713	Block, Broom Motor Drive	1	
	093575	* Set Screw	1	
15	040170	Adapter, 90° -8JICM x 10 SAEM	2	
16	441782	Capscrew, .50-13NC x 1.50" Flange Whizlock	4	
17	9103150	Kit, Brush (1/2 Poly and 1/2 Wire)	1	6' Broom
	9103151	Kit, Brush (1/2 Poly and 1/2 Wire)	1	8' Broom
	9104403	Kit, Brush (All Poly)	1	6' Broom
	9104405	Kit, Brush (All Poly)	1	8' Broom
	9104404	Kit, Brush (All Wire)	1	6' Broom
	9104406	Kit, Brush (All Wire)	1	8' Broom
18	083527	Capscrew, 3/8-16NC x 1.25" Flange Whizlock		
19	376285	Weldment, Broom Core Mount	1	
20	381442	Motor, Broom with Armor R.H. Mount	1	Optional (Not Illustrated)
21	381434	Motor, Broom with Armor L.H. Mount	1	Optional (Not Illustrated)

Figure 6-3 Broom Frame Assembly



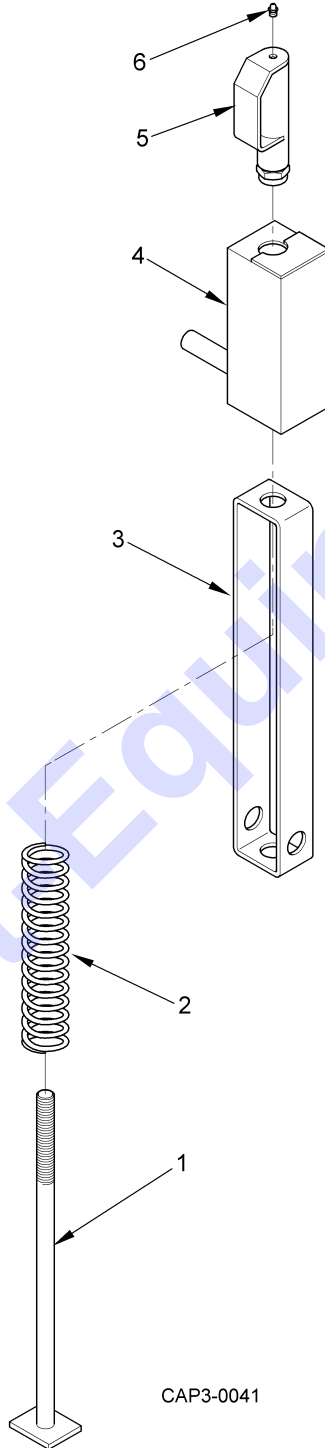
Parts List for Figure 6-3

Item	Part Number	Description	Qty	Notes
1	376160	Weldment, Broom Mount	1	
2	377028	Str., Pin 1.75 x 8.25"	1	
3	441758	Capscrew, 1/2-13NC x .75" Flange Whizlock	1	
4	376640	Cylinder, Lift	1	See Figure 3-20, Broom Lift Cylinder.
5	381319	Assembly, Down Pressure Spring	1	
6	379818	Str., Pin 1.00 x 8.87"	1	
7	015768	Pin, 3/16" Hair Cotter	4	
8	376574	Weldment, Broom Mount	1	6' Broom
9	376582	Weldment, Broom Mount	1	8' Broom

Parts List for Figure 6-3 (Cont.)

Item	Part Number	Description	Qty	Notes
10	441782	Capscrew, 1/2-13NC x 1.50" Flange Whizlock	4	
11	467985	Cylinder, Broom Swing	1	See Figure 3-21, Broom Swing Cylinder.
12	038442	Capscrew, 1/2-13NC x 1.25" Hex Hd. Gr. 5 Zink	2	
13	9103034	Pin, Clevis 1.00 x 2.75"	2	
14	092825	Adapter, 90° -6 SAEM x -6 JICM	1	
15	440644	Hex Nut, 1/2-13NC Flange Whizlock Gr. G	4	
16	083527	Capscrew, 3/8-16NC x 1.25" Flange Whizlock	4	
17	425348	Adapter, 45° -6 SAE x -6 JIC	1	

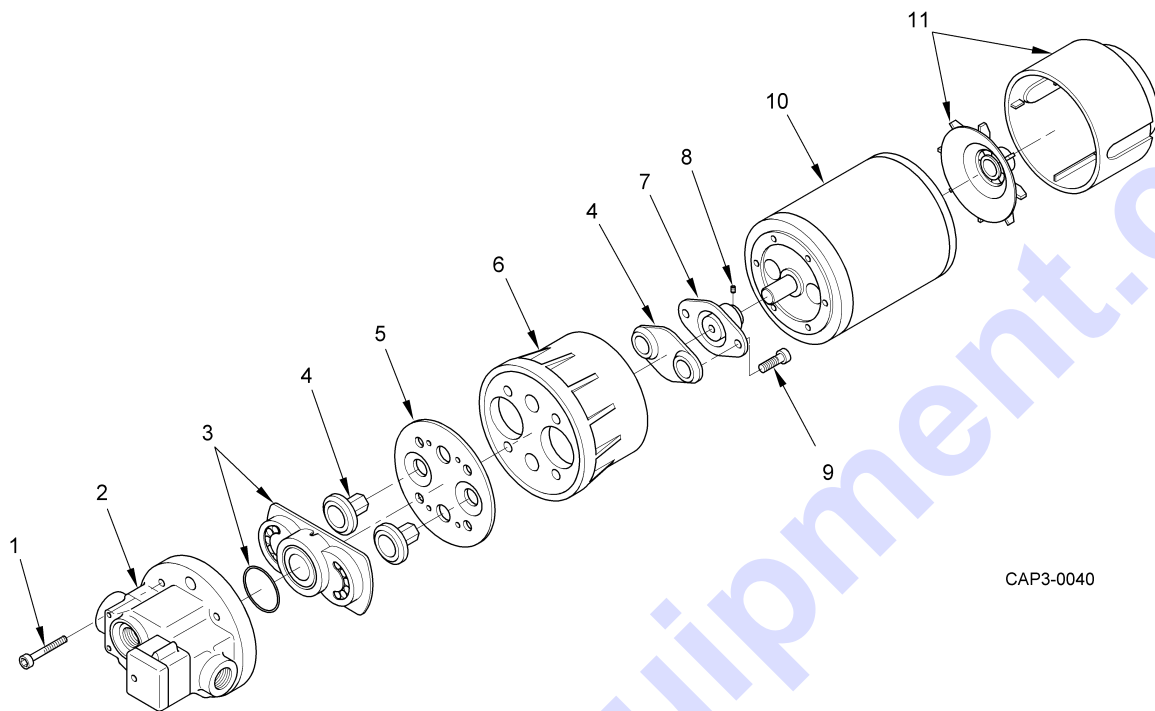
Figure 6-4 Down Pressure Spring Assembly



Parts List for Figure 6-4

Item	Part Number	Description	Qty	Notes
1	379800	Str., Down Pressure Spring Rod	1	
2	473439	Spring, Down Pressure	1	
3	379842	Str., Lower Slide Down Pressure Spring	1	
4	379875	Str., Upper Slide Retainer	1	
5	381293	Str., Spring Adjusting Handle	1	
6	031401	Lube Fitting, 1/4 -28 Str.	1	

Figure 6-5 Water Pump



CAP3-0040

Parts List for Figure 6-5

Item	Part Number	Description	Qty	Notes
	416826	Water Pump	1	No Service Parts Available
1		Screws, Pump	6	
2		Assembly, Housing Switch	1	
3		Valve, Check (No Slot)	1	
4		Piston, Inner and Outer	1	
5		Diaphragm	1	
6		Cover, Bearing	1	
7		Bearing, Cam	1	
8		Set Screw, Cam Bearing	1	
9		Screws, Cam Bearing	1	
10		Motor	1	
11		Shroud, Fan	1	

Figure 6-6 Broom Kits
Parts List for Figure 6-6

Item	Part Number	Description
1	9100458	POLY WAFER, 6 3/8" x 24"
2	9100458BX	POLY WAFER, 6 3/8" x 24", BOX OF 25
3	9101467	WIRE WAFER, 6 3/8" X 24" SS
4	9101467BX	WIRE WAFER, 6 3/8" X 24" SS, BOX OF 25
5	477996	COMBO WAFER, 6 3/8" X 24"
6	477996BX	COMBO WAFER, 6 3/8" X 24", BOX OF 25
7	9103150K	COMPLETE BRUSH KIT, COMBO WAFER, 6 3/8" X 24" X 6' WIDE
8	9104641K	COMPLETE BRUSH KIT, 1/2 WIRE & 1/2 POLY , 6 3/8" X 24" X 6' WIDE,
9	9104403K	COMPLETE BRUSH KIT, POLY WAFER, 6 3/8" X 24" X 6' WIDE
10	9104404K	COMPLETE BRUSH KIT, WIRE WAFER , 6 3/8" X 24" X 6' WIDE
11	9103151K	COMPLETE BRUSH KIT, COMBO WAFER, 6 3/8" X 24" X 8' WIDE
12	9104642K	COMPLETE BRUSH KIT, 1/2 WIRE & 1/2 POLY WAFER, 6 3/8" X 24" X 8' WIDE
13	9104405K	COMPLETE BRUSH KIT, POLY WAFER, 6 3/8" X 24" X 8' WIDE
14	9104406K	COMPLETE BRUSH KIT, WIRE WAFER , 6 3/8" X 24" X 8' WIDE

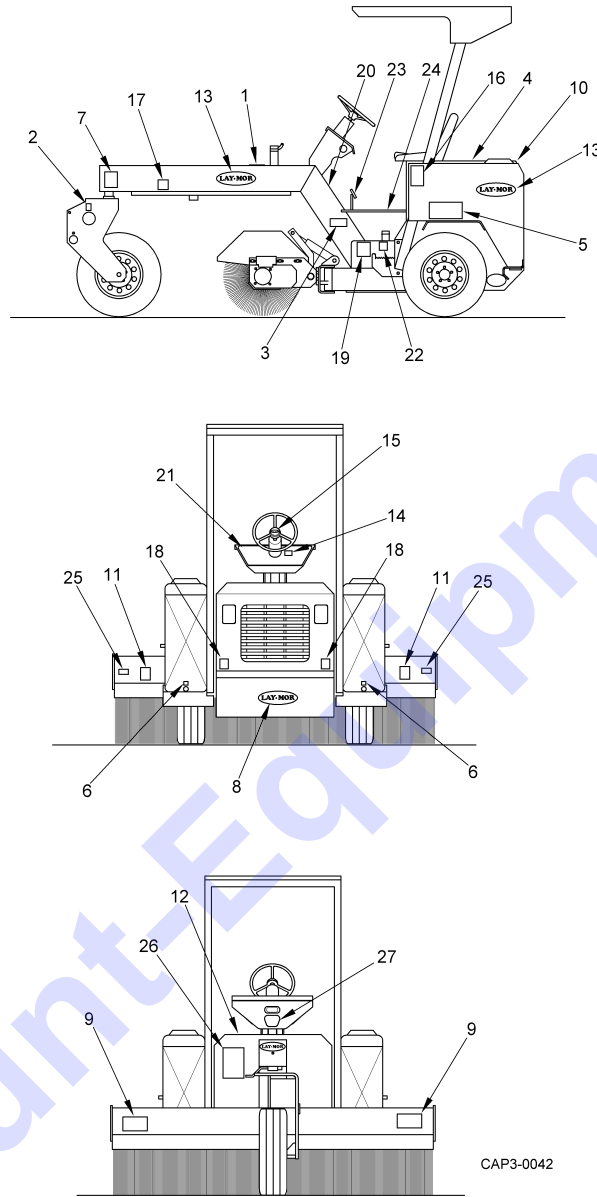
Discount-Equipment.com

Section 7. Decals

7-1	Decal Kit.....	7-2
-----	----------------	-----

Discount-Equipment.com

Figure 7-1 Decal Kit



Parts List for Figure 7-1

Item	Part Number	Description	Qty	Notes
	377002	Decal Kit		
1	450155	Decal, Hydraulic Oil	1	
2	472746	Decal, Tie Down	2	
3	472811	Decal, Filter Screen	1	

Parts List for Figure 7-1 (Cont.)

Item	Part Number	Description	Qty	Notes
4	472753	Decal, Water Tank	2	
5	472837	Decal, Towing Instructions	2	
6	472761	Decal, Water Tank Drain	2	
7	472829	Decal, Towing Instructions (Before and After)	2	
8	9101138	Decal, Lay-Mor (3.37" x 9.25")	1	
9	467266	Decal, Warning "Stand Clear of Broom"	2	
10	472795	Decal, Radiator Cap	1	
11	472720	Decal, Danger Pinch Point	2	
12	472803	Decal, Direction Control	1	
13	9101137	Decal, Lay-Mor	4	
14	448811	Decal, California Warning	1	
15	462606	Decal, Lay-Mor Steering Cap	1	
16	472738	Decal, Danger No Riders	2	
17	472779	Decal, Steering Valve	1	
18	443614	Decal, Danger "Rotating Fan"	2	
19	445387	Decal, Danger "Explosion Hazard"	1	
20	472712	Decal, Operating Instructions	1	
21	472704	Decal, Dash	1	
	468181	Decal, Dash (Option)	1	
22	450148	Decal, Diesel Only	1	
23	460170	Pad, Pedal (Honeycomb Rubber)	1	
24	432955	Safety Walk, (11.00" x 12.50")	1	
25	436261	Tape, Reflector (Red)	2	
26	467910	Decal, Lubrication and Maintenance Chart	1	
27	475848	Decal, Rear Hub Disengage	1	

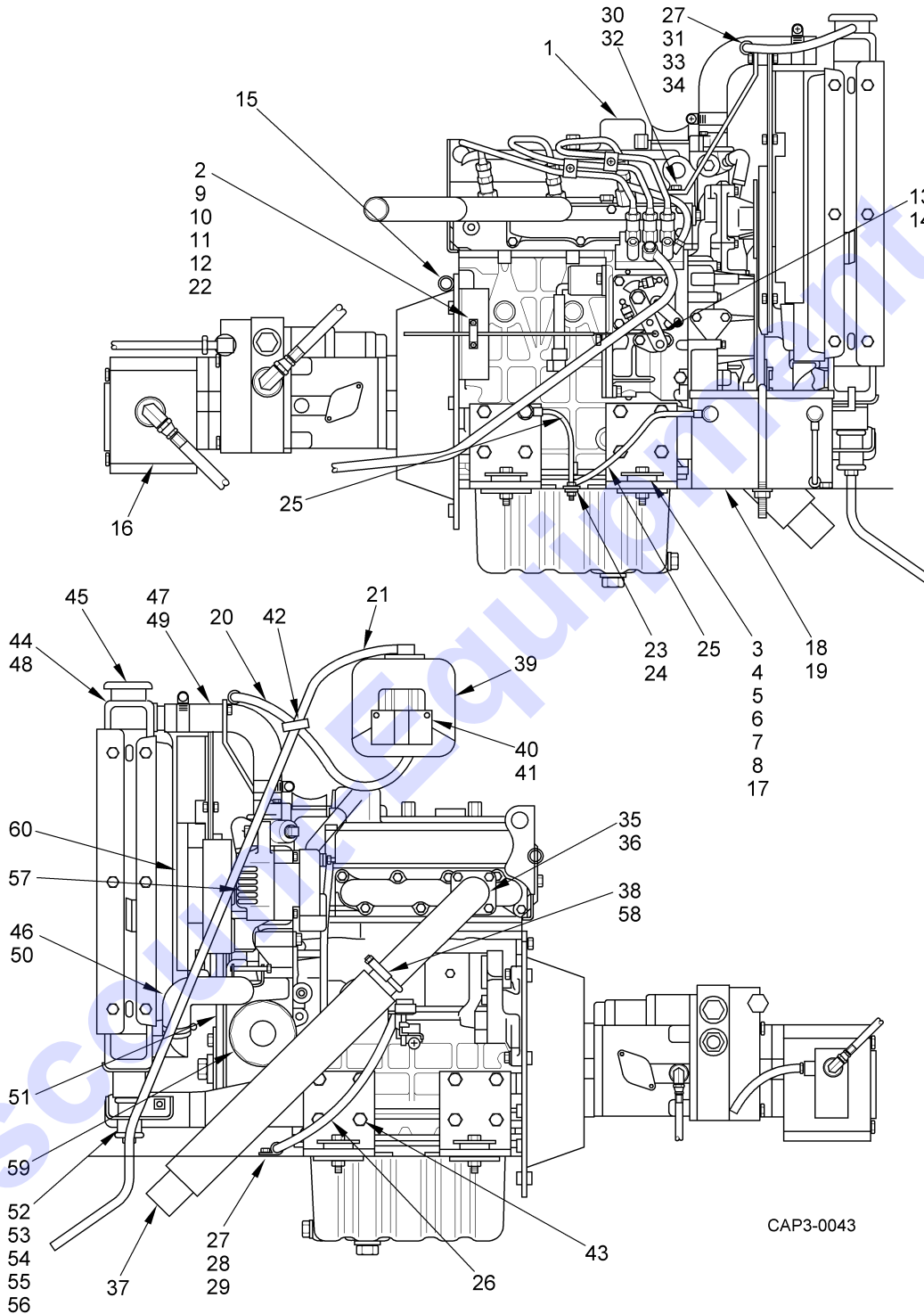
This page left intentionally blank.

Discount-Equipment.com

Section 8. Engine

Figure 8-1, Engine Assembly	8-2
Figure 8-2, Engine Assembly (Caterpillar)	8-6
Figure 8-3, Fan Assembly	8-9
Figure 8-4, Hydraulic Pump Drive Assembly S/N 28239 and Earlier ..	8-11
Figure 8-5, Hydraulic Pump Drive Assembly S/N 28240 and Later ..	8-13
Figure 8-6, Hydraulic Pump Drive Assembly Caterpillar	8-15
Figure 8-7, Fuel System Assembly	8-17
Figure 8-8, Fuel System Assembly - Caterpillar.....	8-19
Figure 8-9, Air Cleaner and Pre-Cleaner Assembly	8-21
Figure 8-10, Hood Assembly.....	8-23
Figure 8-11, Swing Arm Assembly.....	8-25
Figure 8-12, Radiator Shroud Begins with Rev. Code -003	8-27
Figure 8-13, Radiator Assembly Caterpillar (Engine S/N 4XD00001)	8-28
Figure 8-14, Radiator Assembly Caterpillar (Engine S/N 31300001)	8-29

Figure 8-1 Engine Assembly



Parts List for Figure 8-1

Item	Part Number	Description	Qty	Notes
1	374793	Assembly, Engine (Kubota V-1505)	1	
	473167	Assembly, Engine (Kubota V-1505) Tier III with Aluminum Radiator	1	Replacement Engine Does Not Include Radiator
2	9102266	Handle, Throttle with Cable	1	
3	376798	Bracket, Engine Mount	4	
4	058529	Bolt, M10 x 1.25 - 20MM Hex Head	8	
5	456459	Mount, Motor - Rubber	4	
6	011130	Capscrew, 7/16-14NC x 2.50" Gr. 5	4	
7	444109	Washer, Snubbing	4	
8	430132	Hex Nut, 7/16-14NC Whizlock Zink	4	
9	9104569	Bracket, Throttle Cable	1	
10	457184	Clamp, Throttle	1	
11	441493	Capscrew, 10-24NC x .50" Flange Whizlock	2	
12	035436	Hex Nut, 10-24NC	2	
13	457192	Pivot, Throttle Cable	1	
14	459826	Hair Pin, 5/64" Dia.	1	
15	028993	Clamp .50" I.D.	1	
16	376996	Assembly, Hydraulic Pump	1	
17	047506	Loctite, Red 271	A/R	Not Illustrated
18		Battery, 12V	1	See Figure 5-4, Battery Assembly.
19	9102915	U-Bolt, Battery Hold-Down	1	
20	068544	Hose, Fuel Line 5/16 x 38.00"	1	
21	068544	Hose, Fuel Line 5/16 x 38.00"	1	
22	457184	Clamp, Throttle	1	
23	441667	Capscrew, 3/8-16NC x 1.00" Flange Whizlock	1	
24	083501	Hex Nut, 3/8-16NC Flange Whizlock	1	
25	376822	Cable, Battery - Negative	2	
26	376830	Cable, Battery - Positive	1	
27	425272	Clamp, .75 I.D. Cable	3	
28	441600	Capscrew, 5/16-18NC x 1.00" Flange Whizlock	1	

6HC/8HC Parts Manual
Section 8. Engine

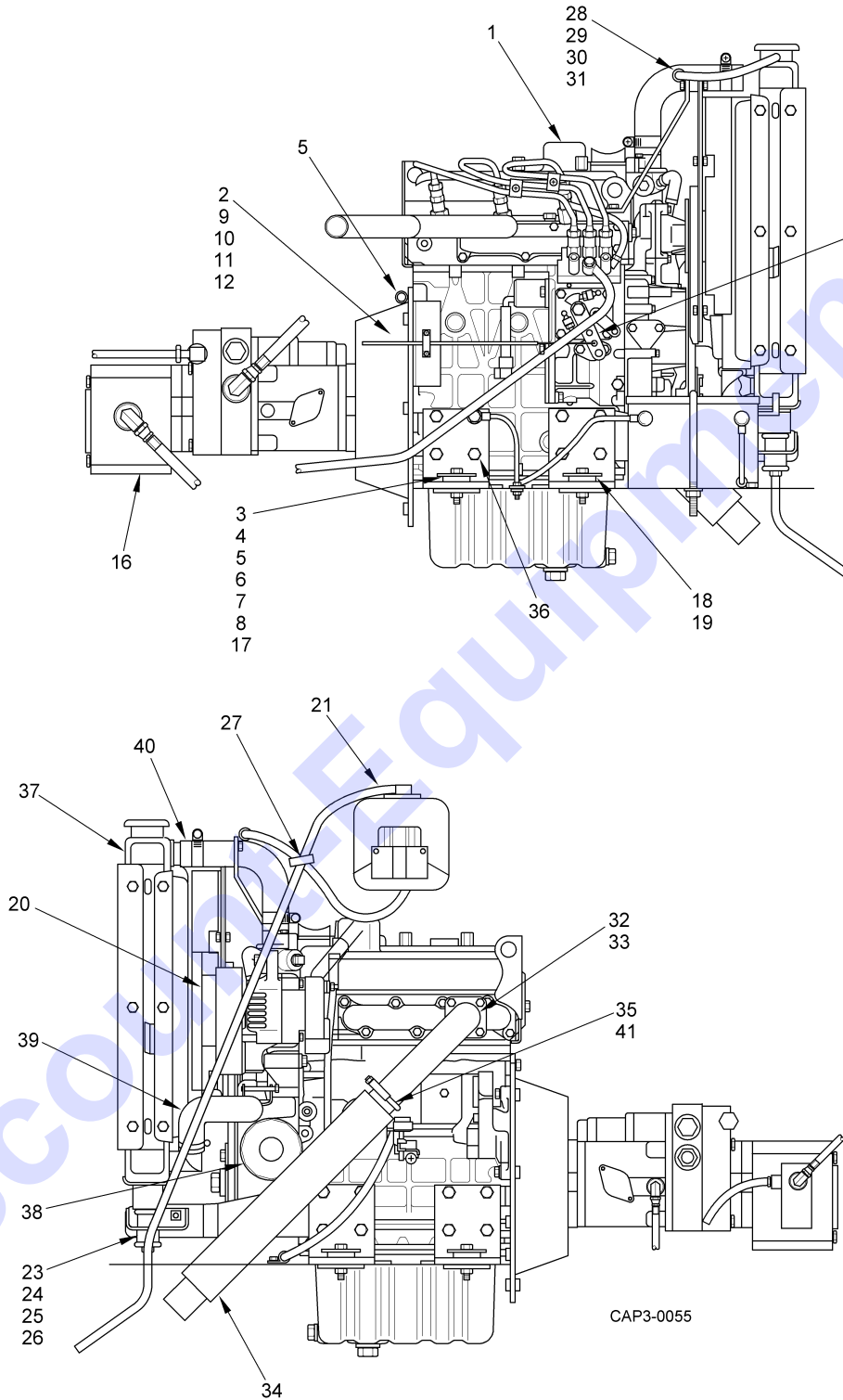
Parts List for Figure 8-1 (Cont.)

Item	Part Number	Description	Qty	Notes
29	083493	Nut, 5/16-18NC Flange Whizlock Gr. G	1	
30	459818	Bolt, Cylinder Head Support	1	
31	9104573	Bracket, Radiator	1	
32	459453	Bolt, M8 x 1.25 - 16 MM Hex Hd.	1	
33	456806	Isolator, Radiator - Mount	1	
34	010272	Nut, Hex 1/4-20 Zink	2	
35	376806	Str., Exhaust	1	
36	404673	Capscrew, M8 x 1.25Cp-6G x N30 Socket Hd.	4	
37	9101774	Muffler	1	
38	9101616	U-Bolt, 2" Muffler Clamp	1	
39	9103079	Tank, Coolant Reservoir	1	Overflow Bottle comes w/Bracket
40	441568	Capscrew, .25-20NC Flange Whizlock	2	
41	4406368	Hex Nut, .25-20NC Flange Whizlock Gr. G	2	
42	462630	Tie, Cable	1	
43	415083	Bolt, M10 x 35MM Hex Hd.	8	
44	9104609	Radiator Only (For 374793, Item #1)		
	450160	Radiator Only (For 473167, Item #1)	1	Tier III only
45	450161	Cap, Radiator (For 450160 above)	1	
46	453599	Hose, Lower Radiator (For 473167, Item #1)	1	
47	453598	Hose, Upper Radiator (For 473167, Item #1)	1	
48	9104609	Radiator, (Supplied with 374793, Item #1)	1	
49	437666	Hose, Upper Radiator (For 374793, Item #1)	1	
50	477849	Hose, Lower Radiator (For 374793, Item #1)	1	
51	473166	V-Belt, Alt V1505	1	
		Radiator Mount		
52	386702	Bolt, Radiator - Long	2	
53	386701	Washer, Radiator	4	
54	386703	Cushion, Radiator	2	
55	386704	Cushion, Radiator	2	
56	386705	Snap Pin, Radiator	2	

Parts List for Figure 8-1 (Cont.)

Item	Part Number	Description	Qty	Notes
57	477520	Alternator, 60 Amp w/AC	1	
58	384842	Kit, Exhaust Hanger	1	
59	9103893	Filter, Engine Oil	1	
60	041518	Pusher Fan	1	

Figure 8-2 Engine Assembly (Caterpillar)



Parts List for Figure 8-2

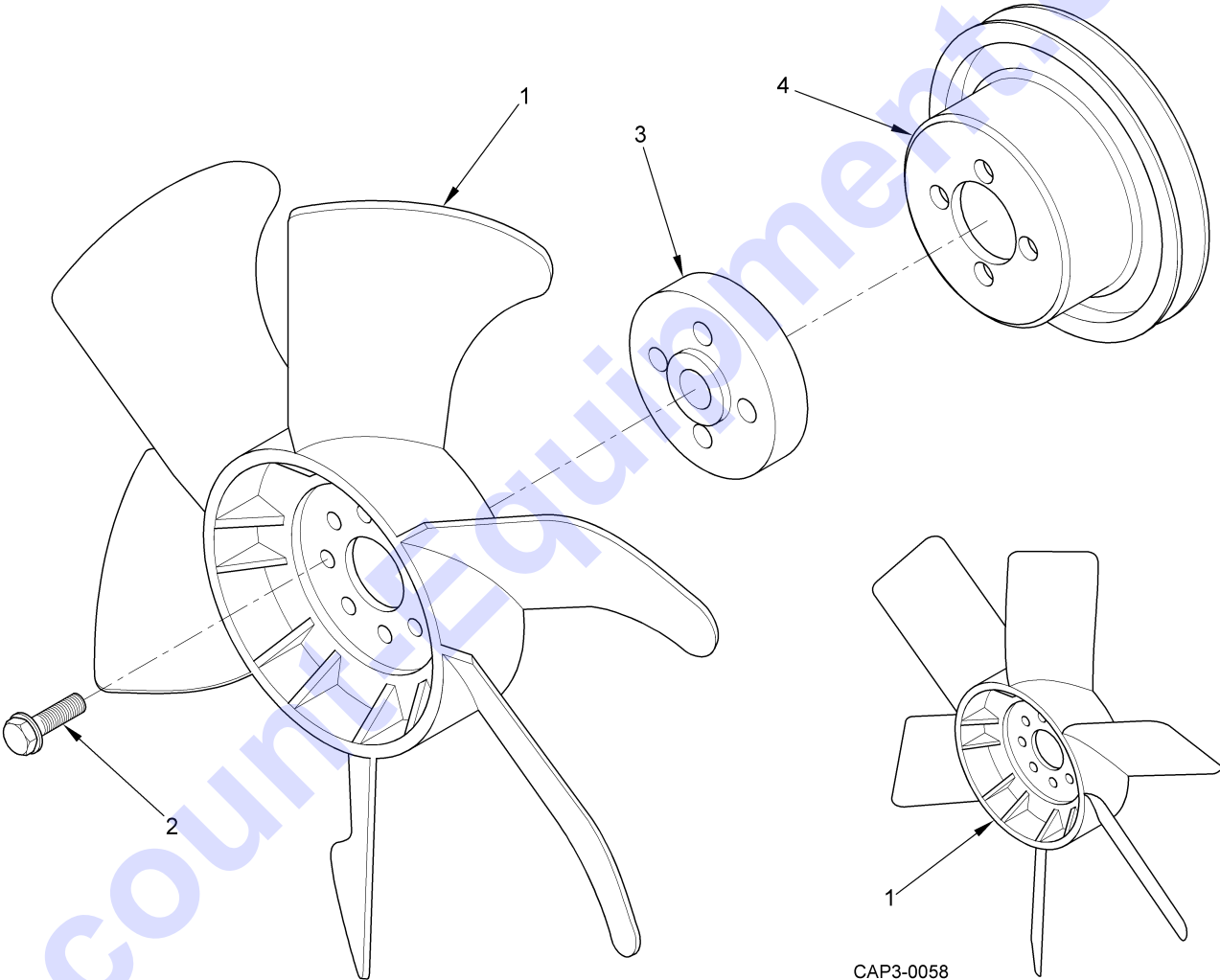
Item	Part Number	Description	Qty	Notes
Serial Number Required to Determine Correct Engine Parts				
1	374793	Assembly, Engine (Caterpillar - 3013)	1	
2	9102266	Handle, Throttle with Cable	1	
3	376798	Bracket, Engine Mount, Rear	2	
4	441667	Bolt, 3/8 x 1.00" Flange Head	8	
5	456460	Mount, Motor	4	
6	011130	Capscrew, 7/16-14NC x 2.50" Gr. 5	4	
7	459842	Washer, Snubbing	4	
8	430132	Hex Nut, 7/16-14NC Whizlock Zink	4	
9	385070	Bracket, Throttle Cable	1	
10	457184	Clamp, Throttle	1	
11	441493	Capscrew, 10-24NC x .50" Flange Whizlock	2	
12	035436	Hex Nut, 10-24NC	2	
13	385104	Pivot, Throttle Cable	1	
14	459826	Hair Pin, 5/64" Dia.	1	
15	028993	Clamp .50" I.D.	1	Not Illustrated
16		Assembly, Hydraulic Pump	1	
17	047506	Loctite, Red 271	A/R	Not Illustrated
18	385054	Mount, Engine, Front	2	
19	385138	Bushing, .515 x 2.00 x 1.0	2	
20	476192	Fan, Pusher Type	1	
21	V19000500	Bolt, 10-32 RD Slot x .75	1	
22	010280	Lock Washer, .25	3	Not Illustrated
23	385112	Mount, Radiator	2	
24	011171	Bolt, 7/16 x 3.50"	2	
25	441600	Bolt, 5/16 x 1.00" Flange	4	
26	474734	Nut, 5/16 Flange	4	
27	047761	Cable Tree	1	
28		Bracket, Radiator	1	Comes with Engine
29	459453	Bolt, M8 x 1.25 - 16MM Hex Hd.	1	Comes with Engine

6HC/8HC Parts Manual
Section 8. Engine

Parts List for Figure 8-2 (Cont.)

Item	Part Number	Description	Qty	Notes
30	456806	Isolator, Radiator	3	Comes with Engine
31	010272	Nut, Hex 1/4-20 Zink	6	Comes with Engine
32	385088	Str. Exhaust	1	
33	410142	Capscrew, M8 x 1.25 Cp-8g x M30 Socket Hd.	4	
34	9101774	Muffler	1	
35	9101616	U-Bolt, 2" Muffler Clamp	1	
36	057380	Bolt, M14 x 35MM Hex Hd.	8	Comes with Engine
37	476086	Radiator	1	Supplied with 476085, Item #1
38	476092	Filter, Engine Oil	1	
39	474793	Hose, Lower Radiator	1	
40	474794	Hose, Upper Radiator	1	
41	384842K	Kit, Exhaust Hanger	1	

Figure 8-3 Fan Assembly

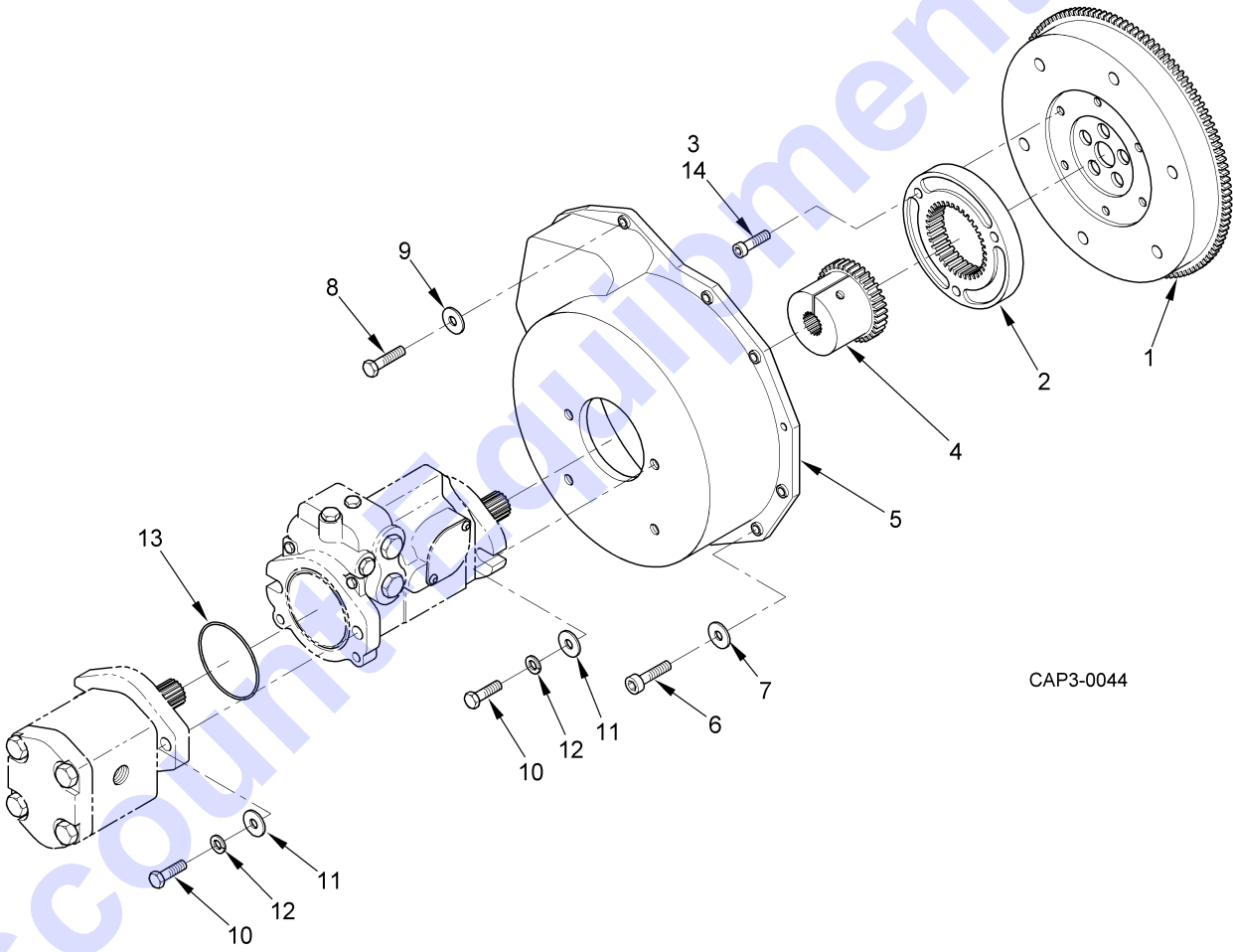


CAP3-0058

Parts List for Figure 8-3

Item	Part Number	Description	Qty	Notes
1	387178	Fan (TierIII Aluminum Radiator)	1	
	041518	Fan (Pusher)	1	
2	477754	Bolt, Flange	4	
3	477753	Collar, Fan	1	
4	387182	Pulley, Fan - Tier III	1	

**Figure 8-4 Hydraulic Pump Drive Assembly
S/N 28239 and Earlier**



CAP3-0044

Parts List for Figure 8-4

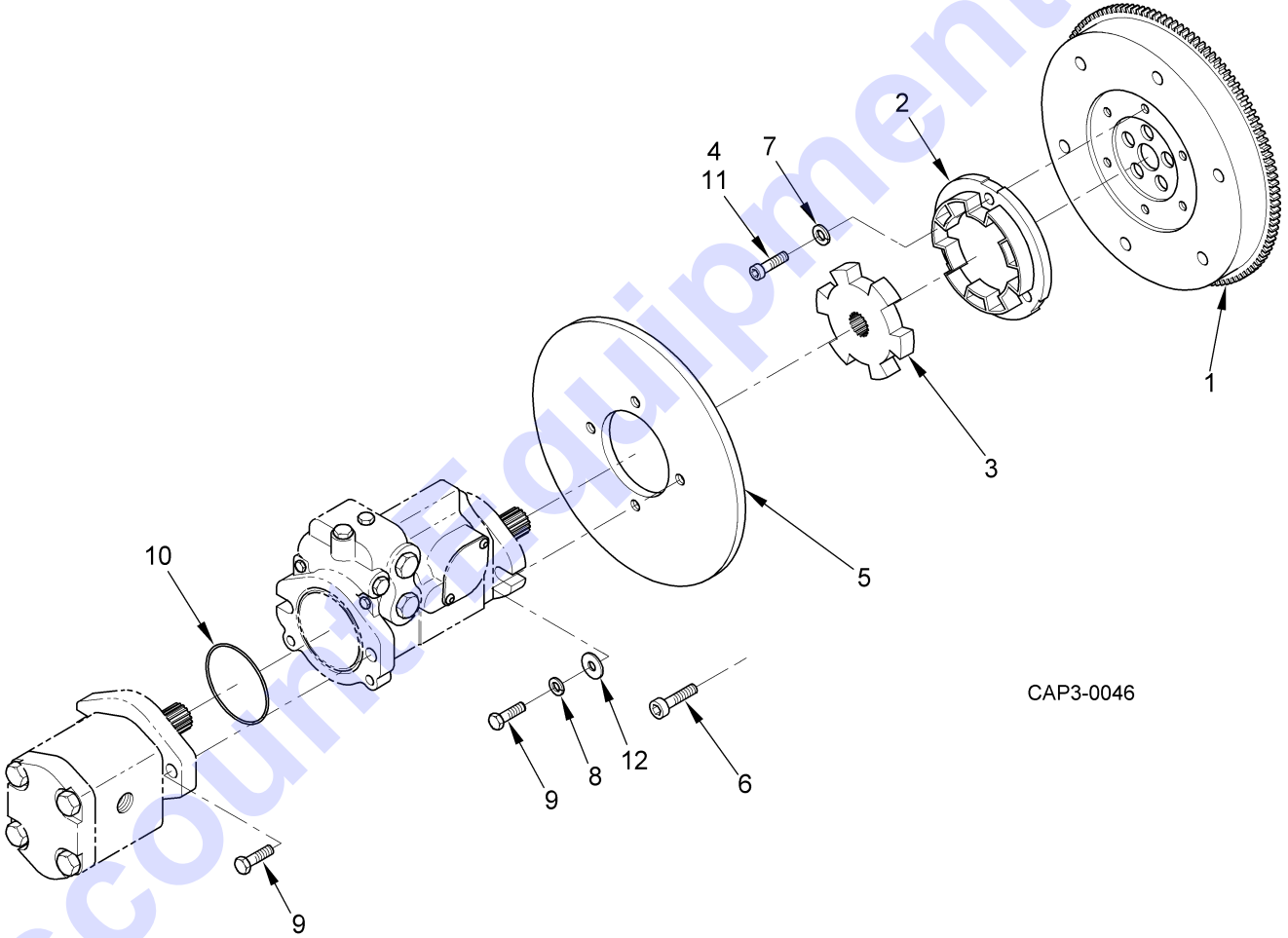
Item	Part Number	Description	Qty	Notes
1	374795	Flywheel (Ring Gear Included)	1	
	474239	Bell Housing with Pump Drive	1	
2	9103935	* Adapter, Flywheel	1	
3	464255	* Capscrew, M10 x 1.25 x M30 Socket Hd.	4	
4	9103936	* Gear, Pump Drive	1	
5	9103937	* Flywheel Housing/Pump Mount	1	
6	404673	* Capscrew, M8 x 1.25 x M30 Socket Hd.	8	
7	075291	* Flat Washer, M8	8	
8	459537	* Bolt, M10 x 1.50" Zink Gr. 5	2	
9	038380	* Lock Washer, M10	2	
10	010645	Capscrew, 3/8-16NC x 1.50" Zink Gr. 5	4	
11	011031	Flat Washer, .38" Pl.	4	
12	011023	Lock Washer, .38" Pl.	4	
13	9101819	O-Ring	1	
14	047506	Loctite, Red	A/R	Not Illustrated
* Included with 474239 Bell Housing with Pump Drive				

6HC/8HC Parts Manual
Section 8. Engine

Parts List for Figure 8-5

Item	Part Number	Description	Qty	Notes
1		Flywheel	1	
	474239	Bell Housing with Pump Drive	1	
2	469544	* Adapter, Flywheel	1	
3	464255	* Capscrew, M10 x 1.25 x M30 Socket Hd.	4	
4	469551	* Gear, Pump Drive	1	
5		* Flywheel Housing/Pump Mount	1	
6	404673	* Capscrew, M8 x 1.25 x M30 Socket Hd.	8	
7	075291	* Flat Washer, M8	8	
8	459537	* Bolt, M10 x 1.50" Zink Gr. 5	2	
9	038380	* Lock Washer, M10	2	
10	441675	Capscrew, 3/8-16NC x 1.50" Flange Whizlock	4	
11	9101819	O-Ring	1	
12	047506	Loctite, Red	A/R	Not Illustrated
* Included with 9104572 Bell Housing with Pump Drive				

**Figure 8-6 Hydraulic Pump Drive Assembly
Caterpillar**

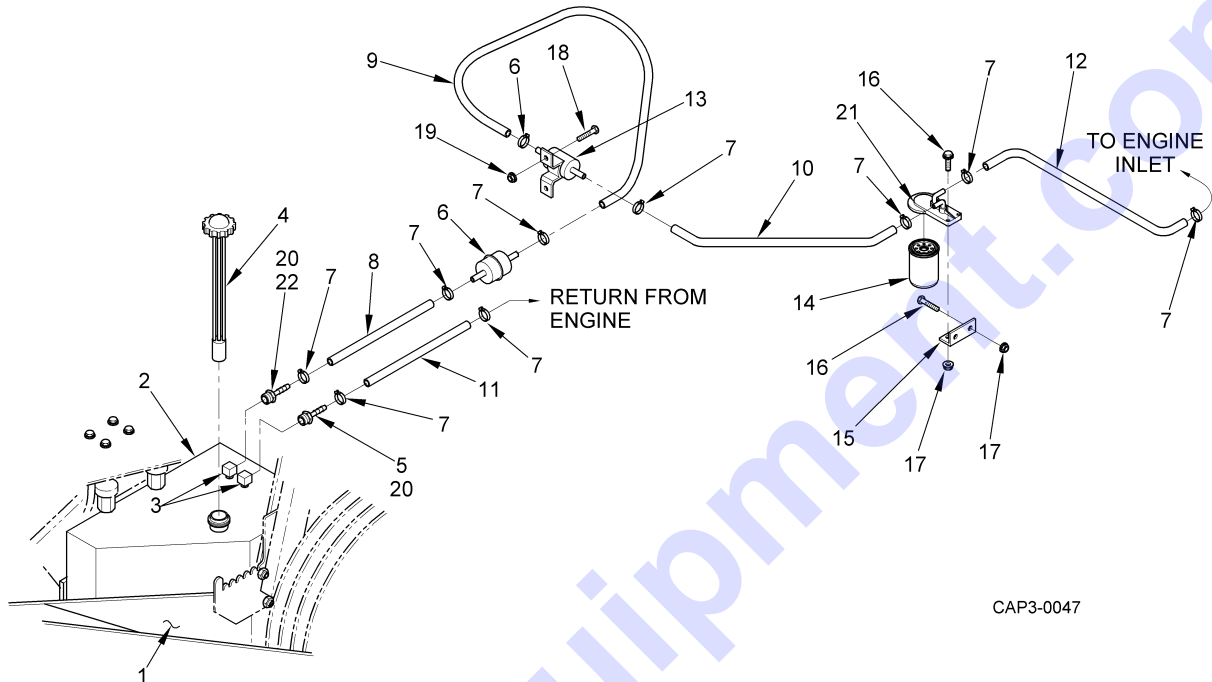


CAP3-0046

Parts List for Figure 8-6

Item	Part Number	Description	Qty	Notes
1		Flywheel	1	Purchase from Caterpillar
	476093	Pump Drive Kit	1	
2	476093	* Pump Drive Coupler Kit	1	
3		* Gear, Pump Drive	1	
4	010363	Capscrew, .31 x 1.25	8	
5	385096	Pump Mount Plate	1	
6	441675	Capscrew, .375 x 1.25 Flange	12	
7	010561	Lock Washer, 5/16	8	
8	011023	Lock Washer, .38	4	
9	010645	Capscrew, 3/8-16NC x 1.50"	4	
10	9101819	O-Ring	4	
11	047506	Loctite, Red	A/R	Not Illustrated
12	011031	Flat Washer	4	
* Included with 476093 Pump Drive Kit				

Figure 8-7 Fuel System Assembly



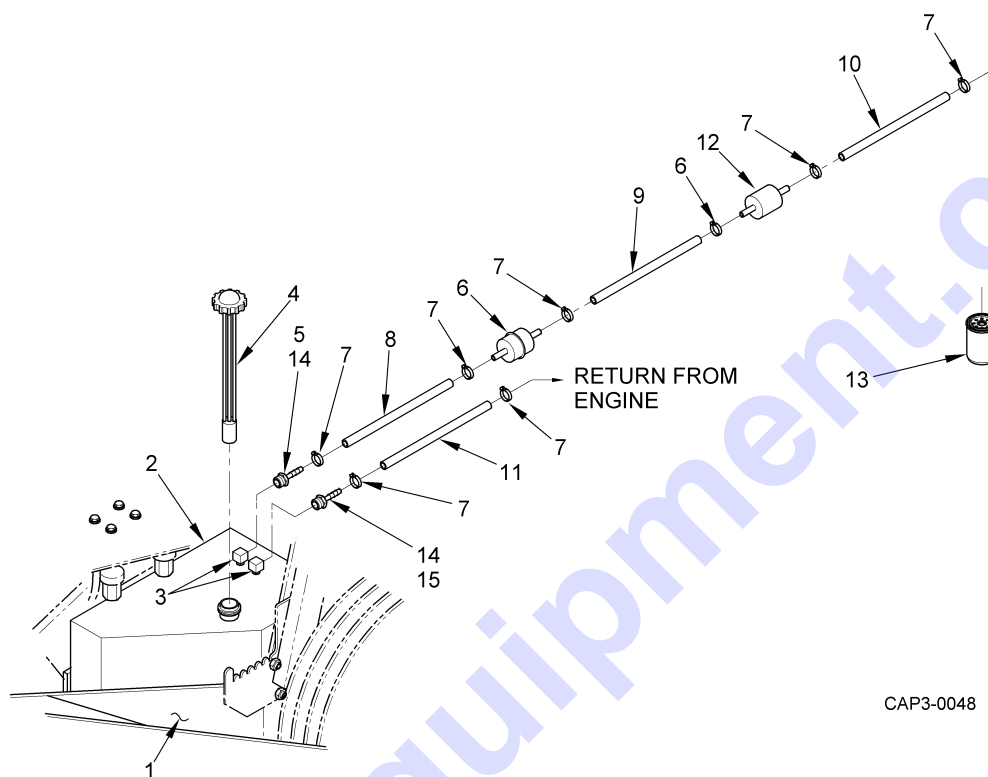
Parts List for Figure 8-7

Item	Part Number	Description	Qty	Notes
	374447	Fuel System Assembly		
1		Weldment, Frame	1	
2	376137	Tank, Fuel	1	
3	472647	* Elbow, Pickup	2	
4	467456	* Cap, Fuel Gauge	1	
		* Included with 376137 Fuel Tank		
5	407189	Fitting, 1/4-NPT Male x 3/16 Barb, Brass	1	
6	9101624	Filter, Fuel In-Line	1	
7	031914	Clamp, Fuel Line	10	
8	068544	Hose, Fuel Line - 5/16 x 6.00"	1	
9	068544	Hose, Fuel Line - 5/16 x 12.00"	1	
10	068544	Hose, Fuel Line - 5/16 x 8.00"	1	

Parts List for Figure 8-7 (Cont.)

Item	Part Number	Description	Qty	Notes
11	067058	Hose, Fuel Line - 3/16 x 24.00"	1	
12	068544	Hose, Fuel Line - 5/16 x 17.00"	1	
13	9101888	Pump, Fuel	1	
14	9102952	Filter, Fuel Spin-On	1	
15	356949	Mount, Fuel Filter	1	
16	441618	Capscrew, 5/16-18NC x 1.25" Flange Whizlock	4	
17	083493	Nut, 5/16-18NC Flange Whizlock	4	
18	441550	Capscrew, 1/4-20NC x .75" Flange Whizlock	2	
19	440636	Hex Nut, 1/4-20NC Flange Whizlock	2	
20	464719	Sealant, Heavy Duty Pipe	A/R	
21	473199	Mount, Filter Element	1	
22	068528	Fitting, 1/4-NPT Male x 5/16 Barb, Brass	1	

Figure 8-8 Fuel System Assembly - Caterpillar



CAP3-0048

Parts List for Figure 8-8

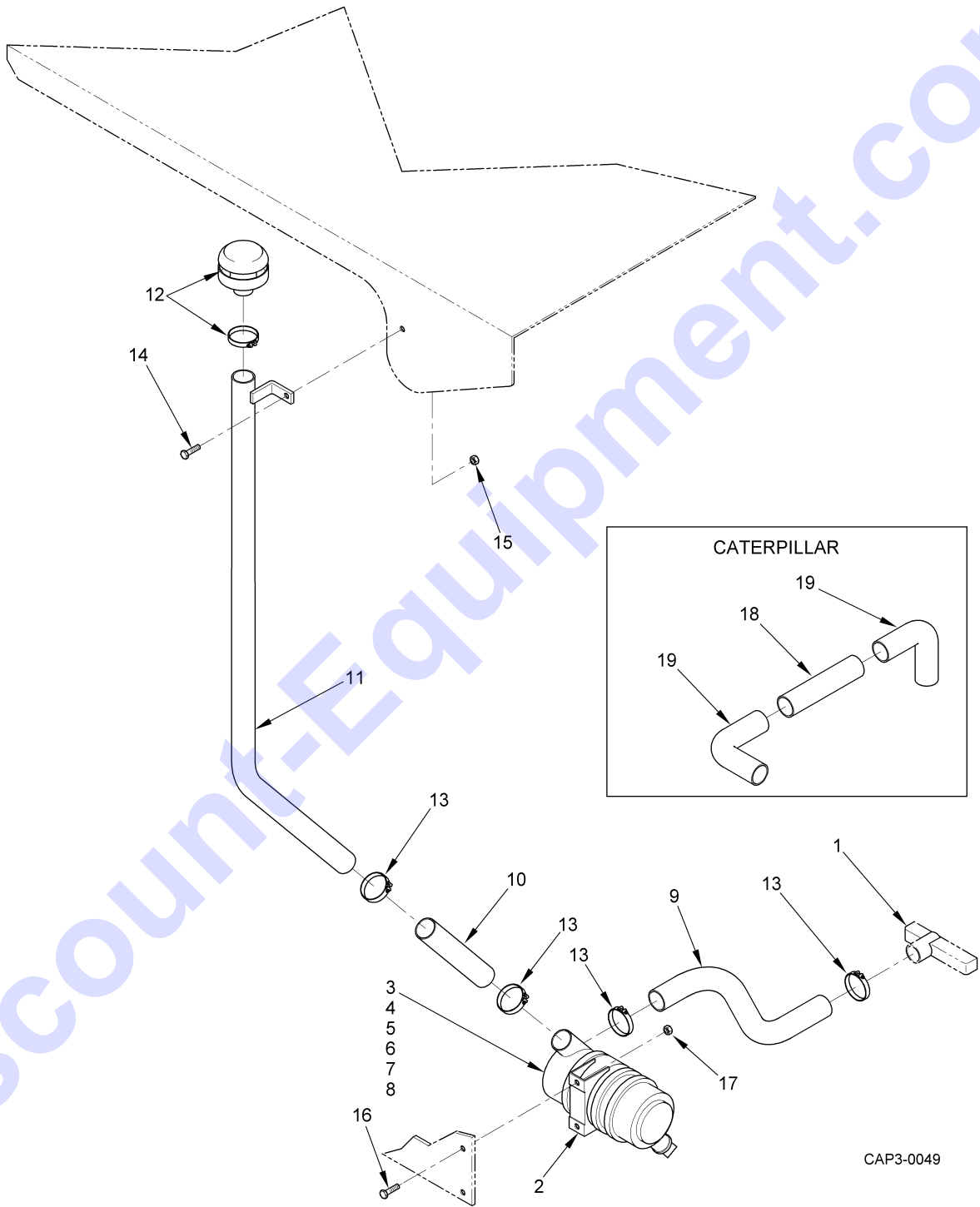
Item	Part Number	Description	Qty	Notes
1		Weldment, Frame	1	
2	376137	Tank, Fuel	1	
3	472647	* Elbow, Pickup	2	
4	467456	* Cap, Fuel Gauge	1	
* Included with 376137 Fuel Tank				
5	407189	Fitting, 1/4-NPT Male x 3/16 Barb, Brass	1	
6	9101624	Filter, Fuel In-Line	1	
7	031914	Clamp, Fuel Line	10	
8	068544	Hose, Fuel Line - 5/16 x 6.00"	1	
9	068544	Hose, Fuel Line - 5/16 x 2.00"	1	
10	068544	Hose, Fuel Line - 5/16 x 10.00"	1	
11	067058	Hose, Fuel Line - 3/16 x 1900"	1	

Parts List for Figure 8-8 (Cont.)

Item	Part Number	Description	Qty	Notes
12		Bulb, Primer Pump	1	Comes with Engine
13	476094	Filter, Fuel Spin-On	1	
14	464719	Sealant, Heavy Duty Pipe	A/R	
15	068528	Fitting, 1/4-NPT Male x 5/16 Barb, Brass	1	

Discount-Equipment.com

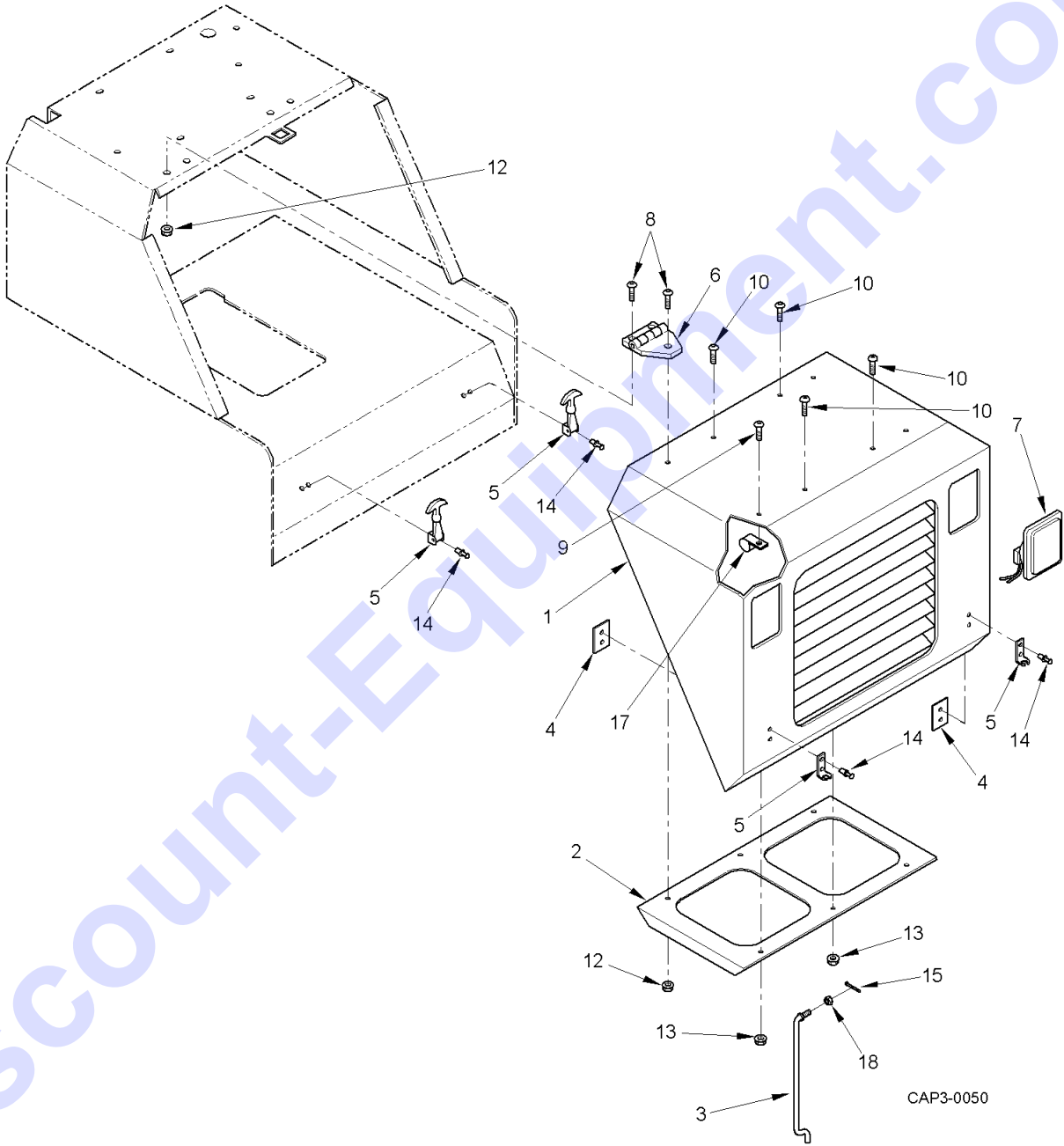
Figure 8-9 Air Cleaner and Pre-Cleaner Assembly



Parts List for Figure 8-9

Item	Part Number	Description	Qty	Notes
1		Engine Assembly	1	See Figure 8-1, Engine Assembly and Figure 8-2, Engine Assembly (Caterpillar).
2	467480	Bracket, Mounting Air Cleaner	1	
3	467472	Cleaner, Air	1	
4	467498	* Element, Primary Air Cleaner	1	
5	467506	* Element, Safety Air Cleaner	1	
6	467514	* Valve, Vacuator	1	
7	467522	* Cover, Air Cleaner Housing	1	
8	467530	* Latch, Air Cleaner Housing	2	
		* Included with 467472 Air Cleaner		
9	467555	Hose, Intake (Kubota)	1	
10	374785	Hose, Pre-Cleaner x 6.00"	1	
11	376657	Str., Pre-Cleaner Pipe	1	
12	467548	Pre-Cleaner, Air	1	
13	V02026200	Clamp, 2" Hose (Kubota)	4	
	V02026200	Clamp, 2" Hose (Caterpillar)	6	
14	441568	Capscrew, .25-20NC x 1.00" Flange Whizlock	1	
15	440636	Hex Nut, .25-20NC Flange Whizlock	1	
16	441618	Capscrew, 5/16-18NC x 1.25" Flange Whizlock	2	
17	083493	Hex Nut, 5/16-18NC Flange Whizlock	2	
18	142679	Tubing, 2" O.D. x 11" - 18 Ga. (Caterpillar)	1	
19	042077	Hose, 2.00 x 90° (Caterpillar)	2	

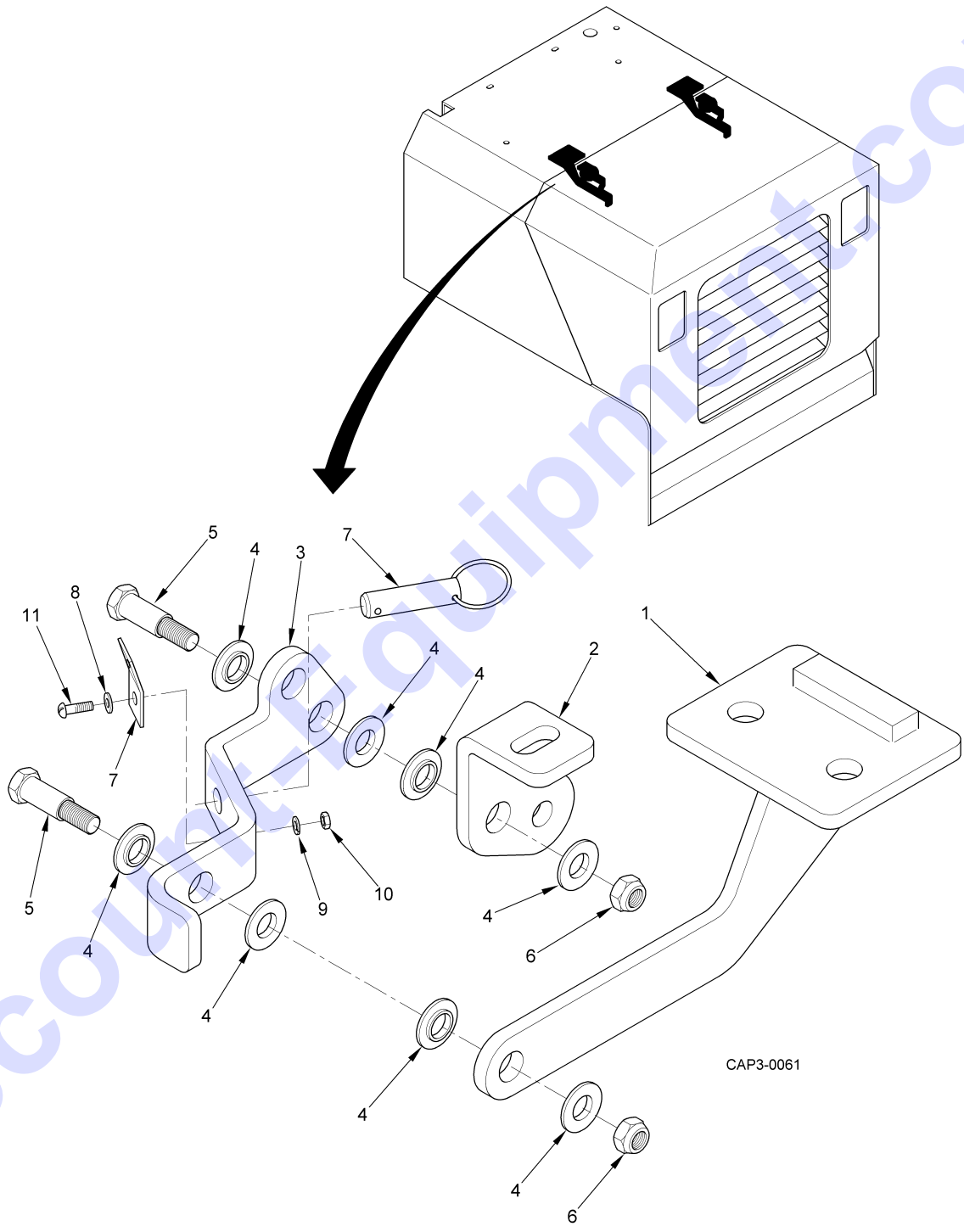
Figure 8-10 Hood Assembly



Parts List for Figure 8-10

Item	Part Number	Description	Qty	Notes
1	376244	Hood	1	
2	377044	Stiffener, Hood	1	(Early Style)
	383661	Stiffener, Hood	1	(Late Style)
3	377184	Str., Hood Rod	1	(Early Style)
	383612	Str., Hood Support Rod	1	(Late Style)
	383703	Str., Hood Support Rod	1	(Units with Cab)
4	377192	Plate, Latch Backup	2	
5	V63013300	Assembly, Hood Latch	2	
6	442269	Assembly, Hinge with Grommet	2	
7	377069	Assembly, Tail Light	2	
8	442285	Bolt, 5/16-18NC x 1.25" Socket Flat Hd.	6	
9	472894	Capscrew, 5/16-18NC x 1.00" Button Hd.	2	Stainless
10	472902	Capscrew, 5/16-18NC x .50" Button Hd.	2	Stainless
11	010108	Capscrew, 1/4-20NC x 2.00" Pl.	1	(Early Style)Not Illustrated
12	093799	Lock Nut, 5/16-18NC Nylon Insert	6	
13	083493	Nut, 5/16-18NC Flange Whizlock Gr. G	6	
14	425769	Rivet, Pip 3/16" Dia. x .50"	10	
15	015123	Pin, Cotter 1/8 x .75" Steel Pl.	1	
16	440636	Hex Nut, 1/4-20NC Flange Whizlock Gr. G		(Early Style)Not Illustrated
17	028993	Clamp, .50 I.D.	2	
18	010298	Flat Washer, 1/4"		(Early Style)
	010579	Flat Washer, .31		(Late Style)

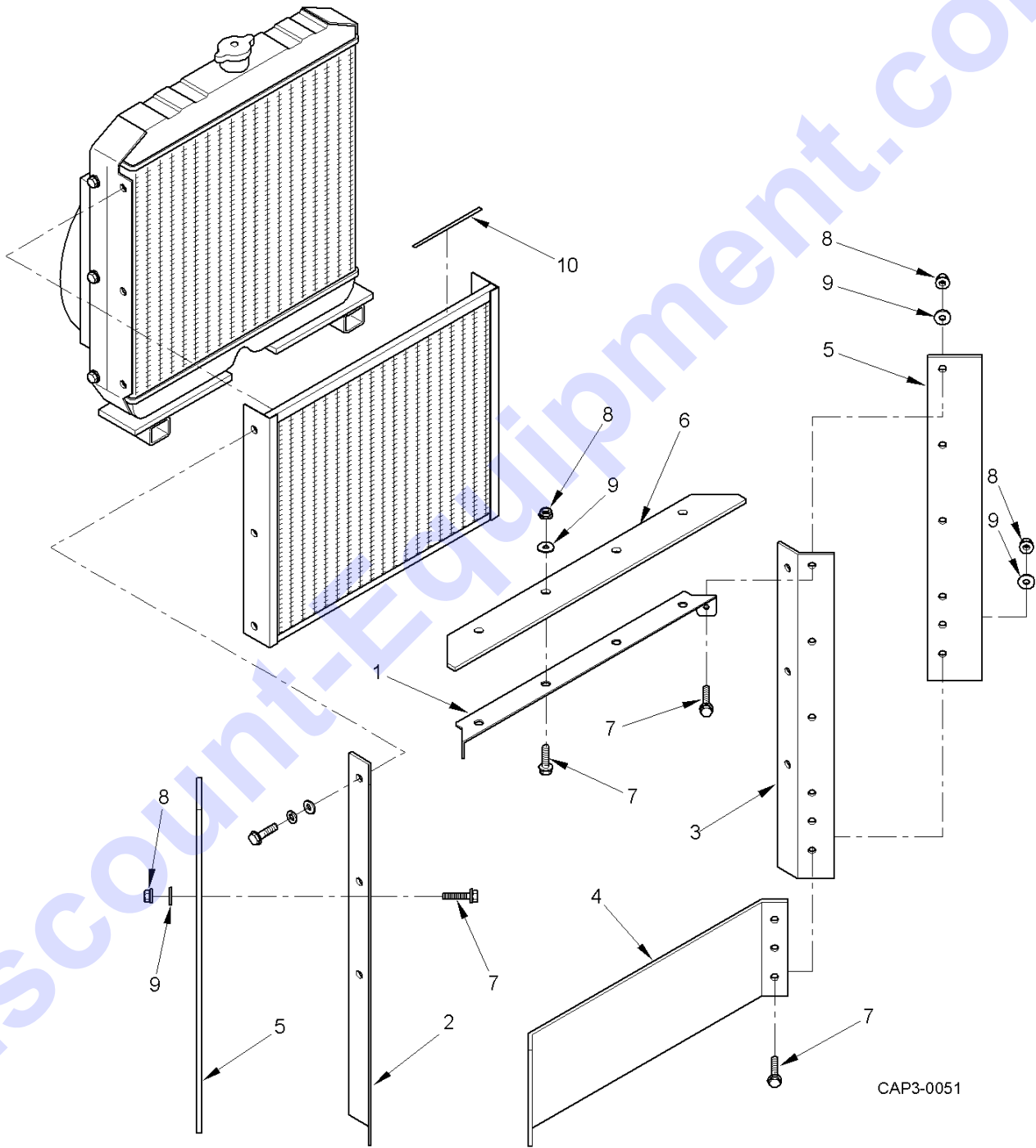
Figure 8-11 Swing Arm Assembly



Parts List for Figure 8-11

Item	Part Number	Description	Qty	Notes
	271709	Swing Arm Assembly	2	
1		Weldment, Stationary Arm	* 1	
2		Hood Tab	* 1	
3	423670	Swing Arm	* 1	
4	423668	Washer, Shoulder - Nylon 6/6 - White	* 8	
5	423667	Bolt, Shoulder, 3/8 Dia. - 5/16-18 (Threads)	* 2	
6	423669	Locknut, 5/16-18 - Nylon Insert	* 2	
7		Pin, Quick Release	* 1	
8		Washer, Plain - #10 NOM Zinc	* 1	
9		Lockwasher, Med. - #10 NOM Zinc	* 1	
10		Hex Nut, 10-32 x 3/4 Zinc	* 1	
11		RHMS, 10-32 Zinc	* 1	
* Individual item quantities shown are for 1 assembly.				

**Figure 8-12 Radiator Shroud
Begins with Rev. Code -003**

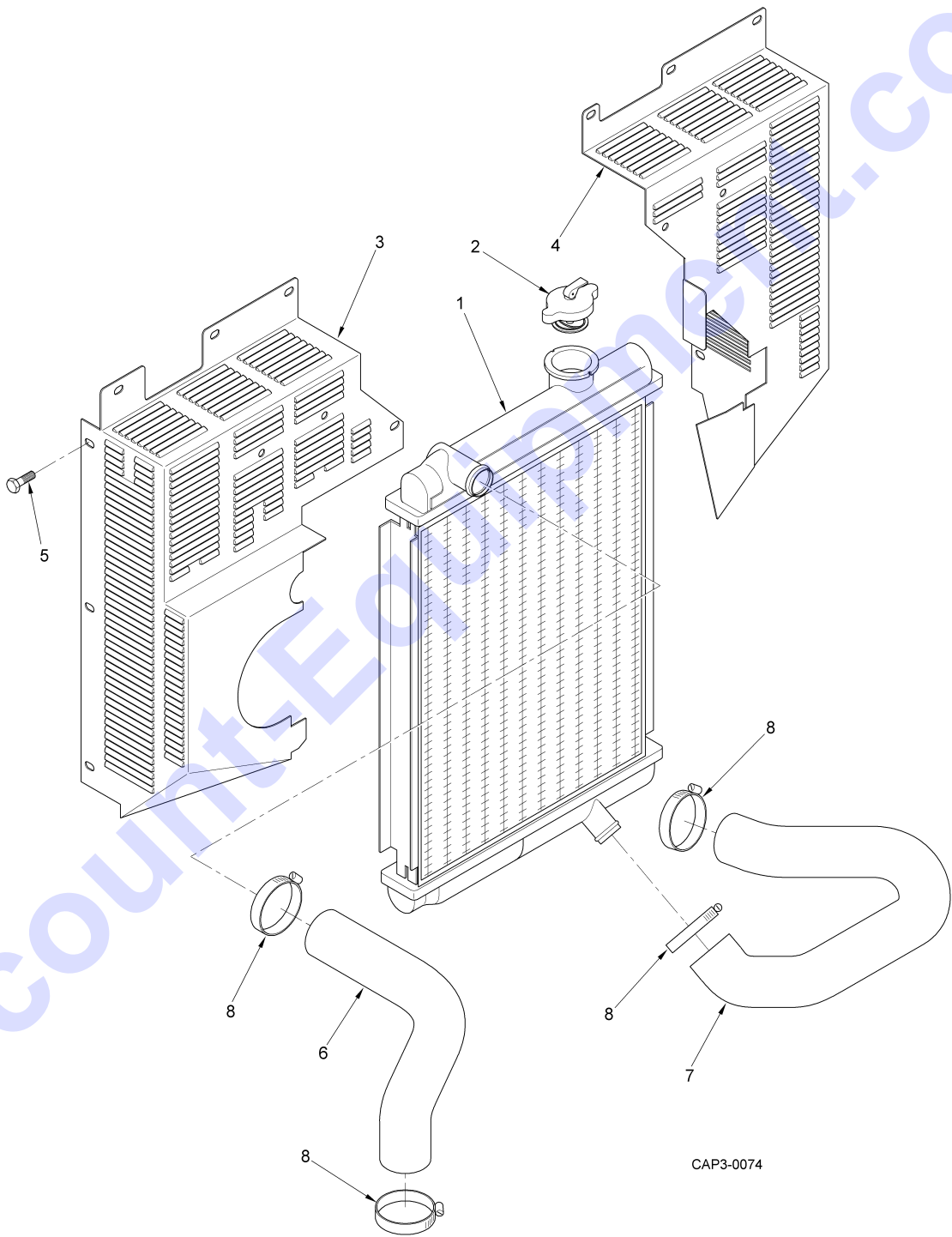


CAP3-0051

Parts List for Figure 8-12

Item	Part Number	Description	Qty	Notes
1	382036	Top, Heat Shroud	1	
2	382044	Side, Heat Shroud L.H.	1	
3	382051	Side, Heat Shroud R.H.	1	
4	382069	Bottom, Heat Shroud	1	
5	382077	Deflector, Heat Shroud (Side)	2	
6	382085	Deflector, Heat Shroud (Top)	1	
7	441550	Capscrew, .25-20NC x .75" Flange Whizlock	16	
8	036392	Nut, .25-20NC Nylock	16	
9	010298	Flat Washer, .25"	16	
10	416776	Tape, Thin Butyl	2"	

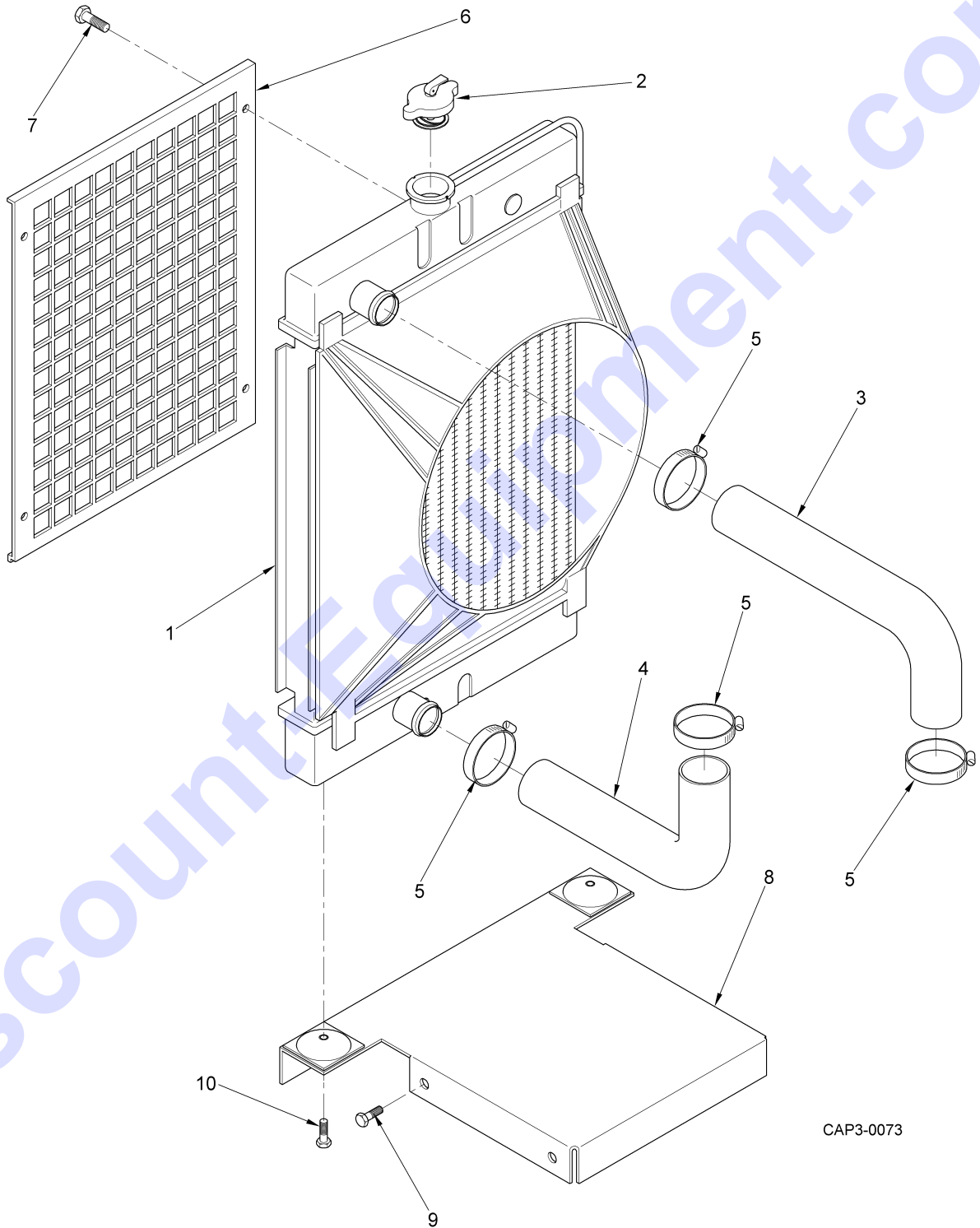
**Figure 8-13 Radiator Assembly
Caterpillar (Engine S/N 4XD00001)**



Parts List for Figure 8-13

Item	Part Number	Description	Qty	Notes
1	476086	Radiator	1	
2	477210	Cap	1	
3	474798	Guard	1	
4	475149	Guard	1	
5		Bolt	20	
6	477912	Hose, Upper	1	
7	477913	Hose, Lower	1	
8		Clamp	4	

**Figure 8-14 Radiator Assembly
Caterpillar (Engine S/N 31300001)**



CAP3-0073

Parts List for Figure 8-14

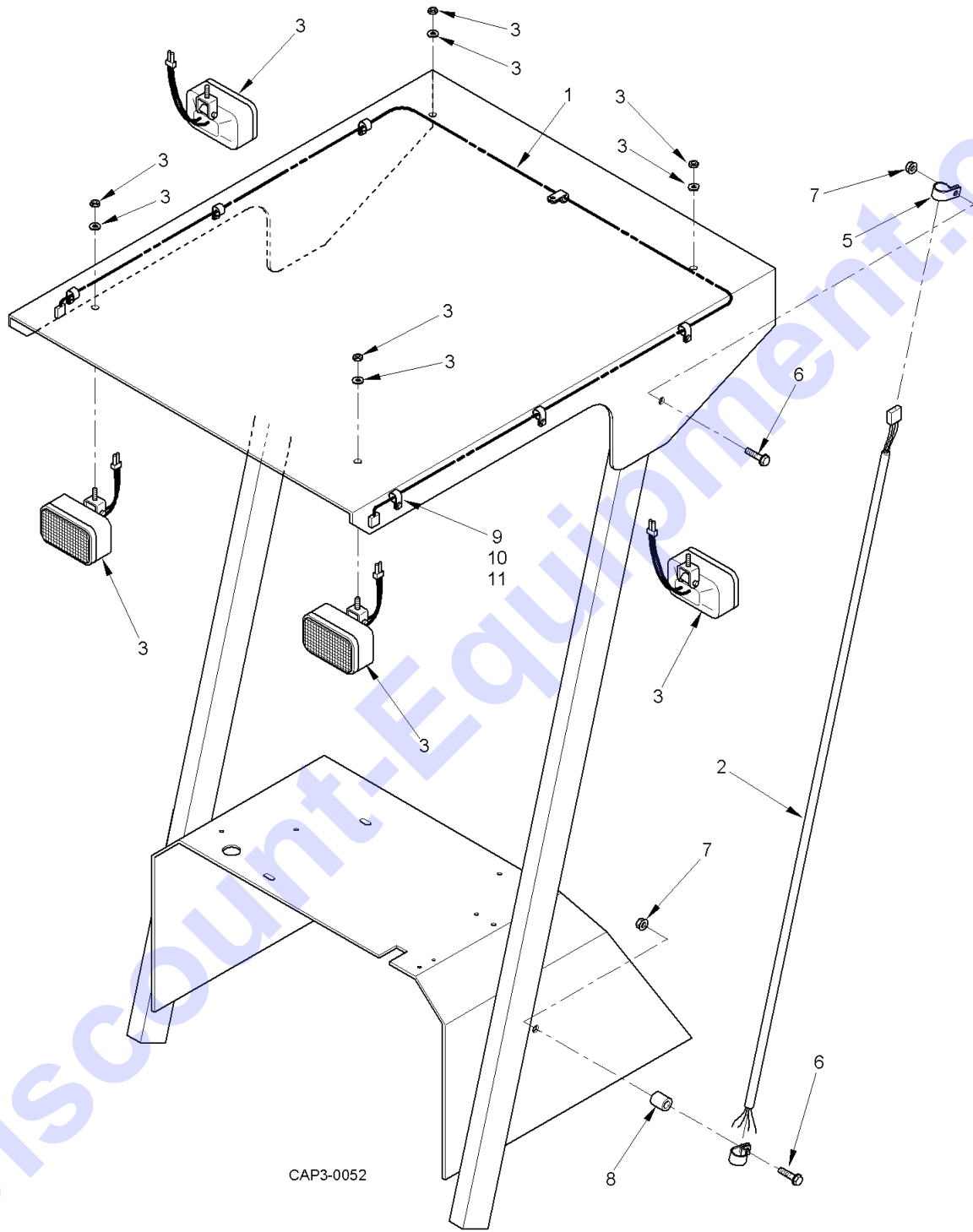
Item	Part Number	Description	Qty	Notes
1	478105	Radiator	1	
2	477210	Cap	1	
3	474794	Hose, Upper	1	
4	474793	Hose, Lower	1	
5		Clamp	4	
6		Guard	1	
7		Bolt	2	
8	385113	Mount	1	
9		Bolt	4	
10		Bolt	2	

Section 9. Options

9-1	Light Kit (Front and Rear).....	9-2
9-2	Water Tank Assembly.....	9-4
9-3	Sprinkler Assembly	9-6
9-4	Vista Cab Assembly.....	9-9
9-5	Vista Cab Right and Left Door Assembly.....	9-12
9-6	Vista Cab Heater/AC/Pressurizer Unit	9-15
9-7	Vista Cab AC/Heater Assembly	9-18

Discount-Equipment.com

Figure 9-1 Light Kit (Front and Rear)



CAP3-0052

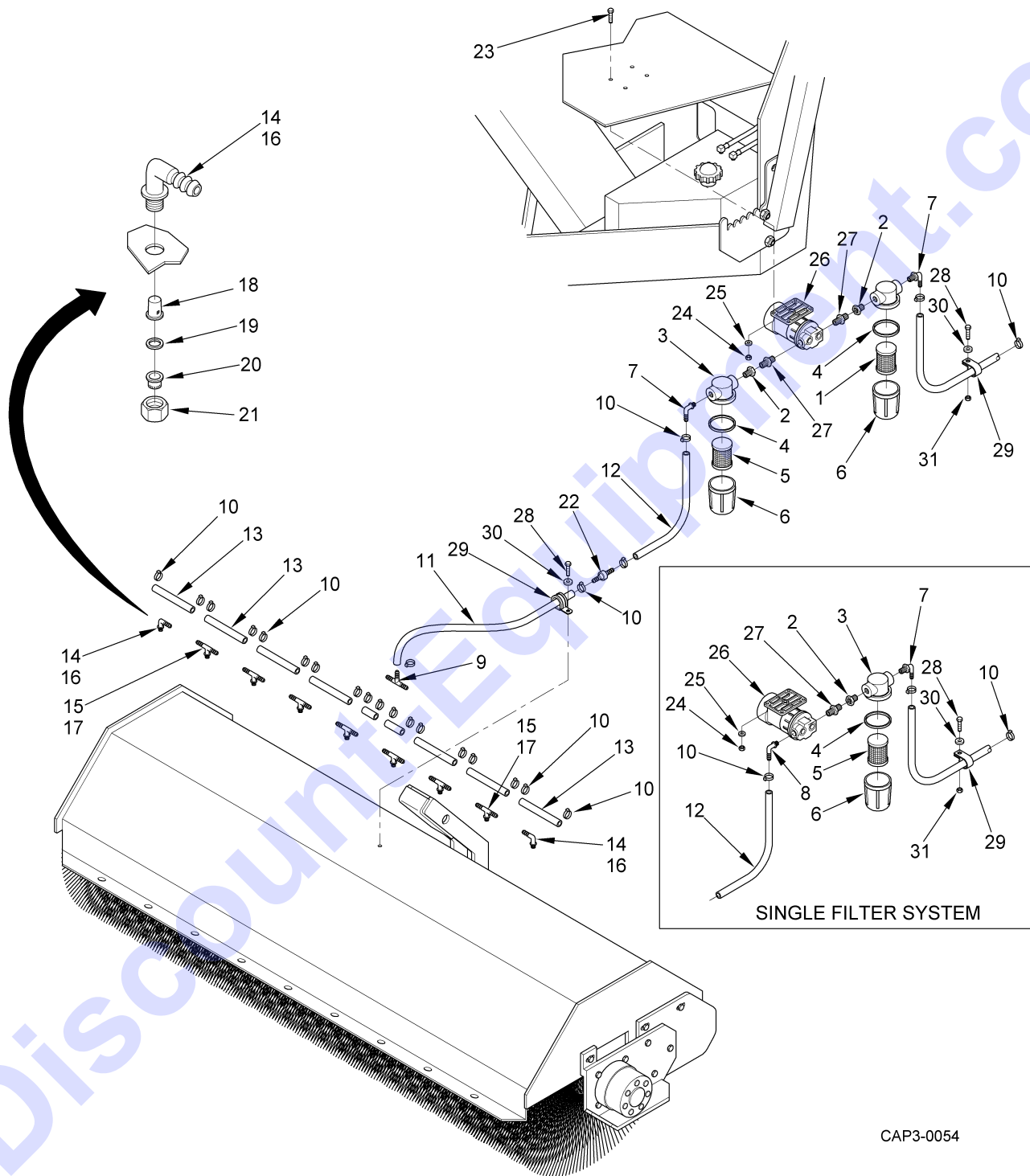
Parts List for Figure 9-1

Item	Part Number	Description	Qty	Notes
	379024	Light Kit (Front and Rear)	1	
1	379032	Harness, Light	1	
2	377598	Harness, Light Power	1	
3	373548	Assembly, Light with Terminal Ends	4	
4	460139	Switch, 3-Position Off/On/On	1	Not Illustrated
5	028993	Clamp, Loop .50 I.D.	2	
6	441600	Capscrew, 5/16-18NC x 1.00" Flange Whizlock	2	
7	083535	Hex Nut, 5/16-18NC Flange Whizlock	2	
8	379115	Spacer, .50 O.D. x .058 x 1.75"	1	
9	441550	Capscrew, .25-20NC x .75" Flange Whizlock	7	
10	440636	Hex Nut, .25-20NC Flange Whizlock Gr. G	7	
11	070516	Clamp, .50	7	

Parts List for Figure 9-2

Item	Part Number	Description	Qty	Notes
1	376131	Water Tank - White	2	
	376133	Water Tank - Black	2	
	376129	Water Tank		Production Date 5-15-08 and Earlier
2	376132	Lid, Water Tank	2	Included with Item 1
	472670	Lid, Water Tank	2	Production Date 5-15-08 and Earlier
3	376913	Roc, Water Tank Hold-Down	2	
4	010579	Flat Washer, 5/16" Pl.	4	
5	9101761	Plug, Drain - Water Tank	2	
6	093799	Lock Nut, 5/15-18NC Nylon Insert	4	
7	9101674	Elbow, 3/4-NPTM x 3/8 Barb 90°	2	Plastic
8	9104378	Chain, #16 Jack x 18.00"	2	
9	425751	Rivet, Pip 1/8" Dia.	4	
10	447128	Tee, .37 I.D. Hose Barb	1	
11	461384	Clamp, .812 I.D. with .406 Bolt Hole	1	Vinyl
12	441667	Capscrew, 3/8-16NC Flange Whizlock	1	
13	083501	Hex Nut, 3/8-16NC Flange Whizlock	1	
14	447474	Hose, .375" I.D. Low Pressure	A/R	
15	447466	Clamp, Crimping Band -6 Hose	4	
16	9104378	Chain, #16 Jack x 18.00"	2	
17	071605	Flat Washer, #6	4	
18	475095	Bulk Head Fitting	4	
19	473629	Cap Rim	2	

Figure 9-3 Sprinkler Assembly



CAP3-0054

Parts List for Figure 9-3

Item	Part Number	Description	Qty	Notes
	374645	Sprinkler Assembly - 6'		
	376921	Sprinkler Assembly - 8'		
	374646	Sprinkler Assembly - 6' with Black Tanks		
	376922	Sprinkler Assembly - 8' with Black Tanks		
1	9104062	Screen, Suction Filter (Green)	1	
2	9101535	Bushing, 1/2-MNPT x 1/4-FNPT Nylon	2	
	9101535	Bushing, 1/2-MNPT x 1/4-FNPT Nylon	1	Single Filter System Only
3	9102321	Head, Filter	2	
	9102321	Head, Filter	1	Single Filter System Only
4	9102322	Gasket, Filter Head	2	
	9102322	Gasket, Filter Head	1	Single Filter System Only
5	9104063	Screen, Pressure Filter	1	Double Filter System
6	9102329	Bowl, Filter	2	
	9102329	Bowl, Filter	1	Single Filter System Only
7	9103017	Barb, 1/2-MNPT x 90° x 3/8", Plastic	2	Double Filter System
	9103017	Barb, 1/2-MNPT x 90° x 3/8", Plastic	1	Single Filter System Only
8	477941	Elbow, 90°, .38NPT x 3/8", Plastic	1	Single Filter System Only
9	447128	Tee, .37 I.D. Hose Barb	1	
	9101507	Hose Kit for 6' Broom		
	9101588	Hose Kit for 8' Broom		
10	447466	* Clamp, Crimping Band -6 Hose	20	6' Broom
	447466	* Clamp, Crimping Band -6 Hose	24	8' Broom
11	447474	* Hose, .375" I.D. Low Pressure	A/R	
12	447474	* Hose, .375" I.D. Low Pressure	A/R	
13	447474	* Hose, .375" I.D. Low Pressure	A/R	
14	9104621	Assembly, Spray Nozzle Brass L-Body	2	
15	9104620	Assembly, Spray Nozzle Brass T-Body	5	6' Broom
	9104620	Assembly, Spray Nozzle Brass T-Body	7	8' Broom

6HC/8HC Parts Manual
Section 9. Options

Parts List for Figure 9-3 (Cont.)

Item	Part Number	Description	Qty	Notes
16	9104059	* Body, 90° Spray Nozzle (Brass)	2	
17	9104058	* Body, Tee Spray Nozzle (Brass)	5	6' Broom
	9104058	* Body, Tee Spray Nozzle (Brass)	7	8' Broom
18	V70007388	* Screen	7	6' Broom
	V70007388	* Screen	9	8' Broom
19	9104055	* Seal, Orifice Core	7	
	9104055	* Seal, Orifice Core	9	
20	9101539	* Orifice, (D-2) Standard	7	6' Broom
	9101539	* Orifice, (D-2) Standard	9	8' Broom
	9101834	* Orifice, (D-5) More Water	7	6' Broom
	9101834	* Orifice, (D-5) More Water	9	8' Broom
	9101832	* Orifice, (D-8) Most Water	7	6' Broom
	9101832	* Orifice, (D-8) Most Water	9	8' Broom
21	V70007488	* Cap, Brass	7	6' Broom
	V70007488	* Cap, Brass	9	8' Broom
22	459743	Valve, Anti-Leak Check	1	
23	441568	Capscrew, 1/4-20NC x 1.00" Flange Whizlock	4	
24	010272	Hex Nut, 1/4-20NC Flange Whizlock Gr. G	4	
25	010280	Lockwasher, 1/4"	4	
26	416826	Pump, Water	1	
27	9101534	Nipple, .25 x 1.25" Plastic	2	
	9101534	Nipple, .25 x 1.25" Plastic	1	Single Filter System Only
28	441667	Capscrew, 3/8-16NC x 1.00" Flange Whizlock	2	
29	461384	Clamp, .812 I.D. with .406 Bolt Hole Vinyl	2	
30	011031	Flat Washer, 3/8" Pl.	2	
31	083501	Hex Nut, 3/8-16NC Flange Whizlock	1	

6HC/8HC Parts Manual
Section 9. Options

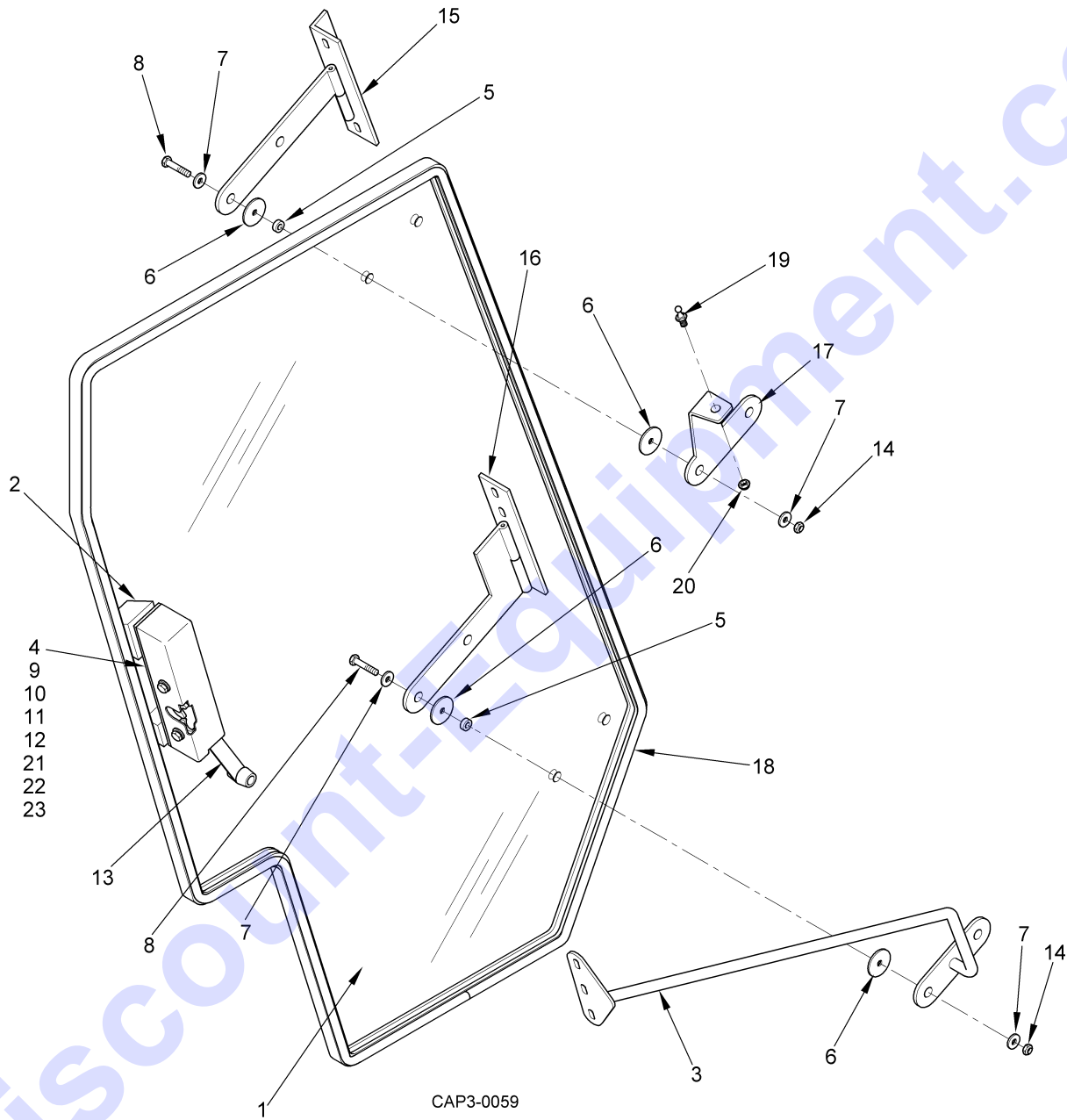
Parts List for Figure 9-4

Item	Part Number	Description	Qty	Notes
1	374719	Basic Vista Cab with Headliner, Floor Mat and Windshield Washer/Wiper Unit		2 Doors
2		Panel Assembly, Right Side	1	
3		Panel Assembly, Left Side	1	
4		Door Assembly, Right	1	
5		Door Assembly, Left	1	
6		Rear Window Assembly	1	
7		Windshield Assembly	1	
8		Channel, Lower, Windshield	1	
9		Channel, Upper, Windshield	1	
10		Brace Assembly, Lower Rear Window	1	
11	385772	Ball Socket, Metal	4	Not Illustrated
12	385774	Clip, Safety	4	Not Illustrated
13	477820	Gas Shock, 60 lbs.	2	Not Illustrated
14		Swing Hinge Assembly	2	Not Illustrated
15		Headliner, Front	1	Not Illustrated
16		Headliner, Rear	1	Not Illustrated
17		Floor Mat Assembly	1	Not Illustrated
18		Hood Strap with Holes	1	Not Illustrated
19		CC Neoprene Sponge, 1 x 1-1/2	6.5"	Not Illustrated
20		Bolt, 1/4-20 x 5/8" Hex Hd.GD5 Z.P.	4	Not Illustrated
21		Bolt, 1/4-20 x 3/4" Hex Hd.GD5 Z.P.	8	Not Illustrated
22		Bolt, 1/4-20 x 1" Hex Hd.GD5 Z.P.	16	Not Illustrated
23		Bolt, 1/4-20 x 2-3/4" Hex Hd.GD5 Z.P.	8	Not Illustrated
24		Flat Washer, 1/4"	68	Not Illustrated
25		Locknut, Hex - 1/4-20 GR5 Z.N.	32	Not Illustrated
26		Bolt, 3/8-16 x 1-1/4" Hex Hd.GD5 Z.P.	20	Not Illustrated
27		Bolt, 3/8-16 x 1-1/2" Hex Hd.GD5 Z.P.	4	Not Illustrated
28		Flat Washer, 3/8"	48	Not Illustrated

Parts List for Figure 9-4 (Cont.)

Item	Part Number	Description	Qty	Notes
29		Locknut, Hex 3/8-16 GR5 Z.N.	24	Not Illustrated
30		Rubber Seal, 4 Windshield (ADH Backed)	72"	Not Illustrated
31	477531	Wiper Arm and Blade Assembly	1	
	450157	Switch, Wiper Motor, Vista 2717	1	Not Illustrated
	450159	Wiper Motor	1	Not Illustrated
32		Headliner Plate, R.H.	1	Not Illustrated
33		Headliner Plate, L.H.		Not Illustrated
34		Fuse and Relay Package	1	Not Illustrated
35		Wire Harness, Engine	1	Not Illustrated
36		Wire Harness, Horn	1	Not Illustrated
37		Hose Wrap		Not Illustrated
38		Nylon Cable Tie, 6" Long	8	Not Illustrated
39		Silicone, RTV Clear	1	Not Illustrated

Figure 9-5 Vista Cab Right and Left Door Assembly



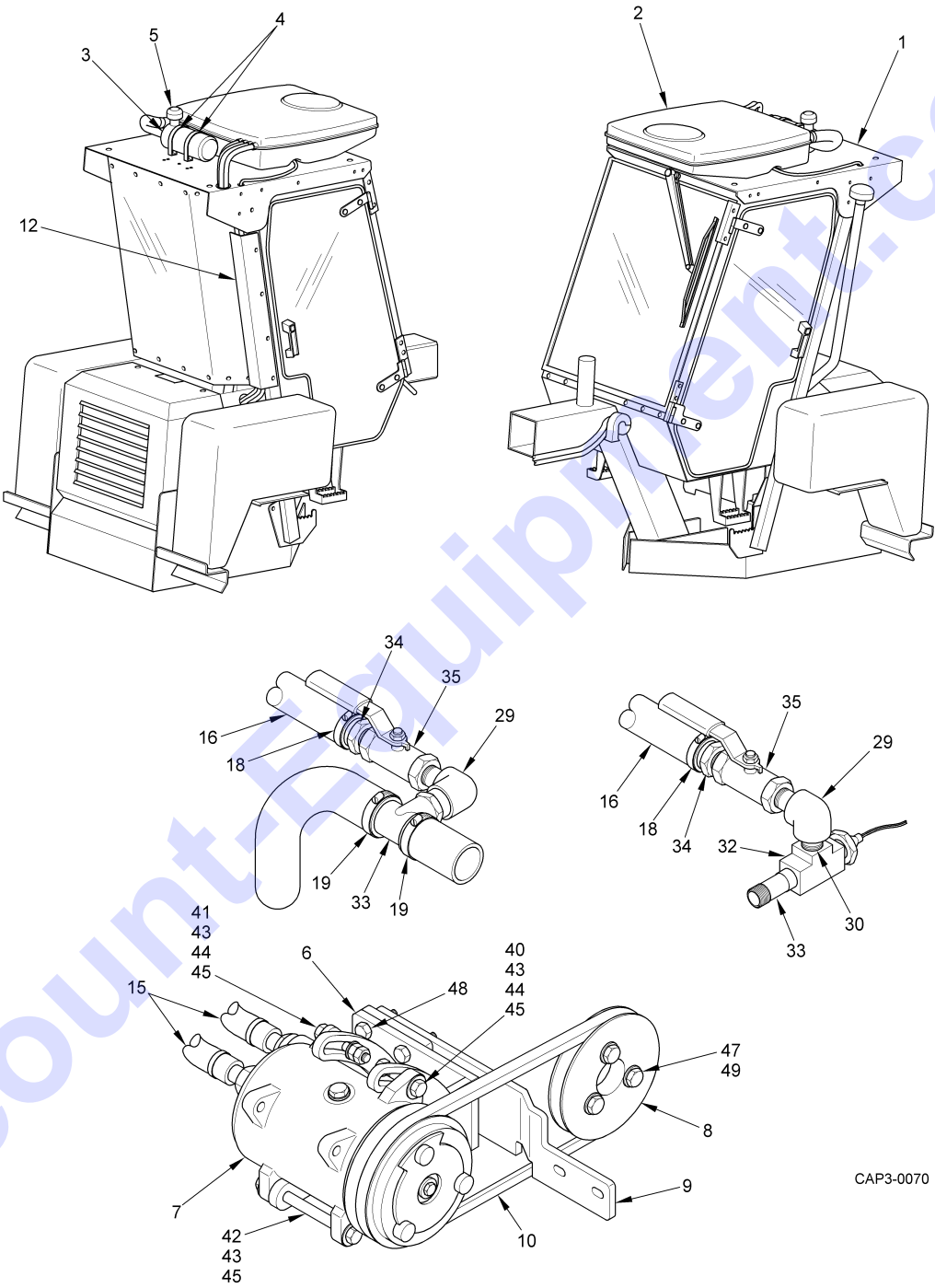
Parts List for Figure 9-5

Item	Part Number	Description	Qty	Notes
1	385983	Glass Door, L.H.	*1	Left Hand Door Shown
	385984	Glass Door, R.H.	*1	
2	385760	Door Handle, Outside (Std.), L.H. or R.H.	1	
3		Grab Bar Weldment, L.H.	1	
		Grab Bar Weldment, R.H.	1	
4	385767	Latch Cover, L.H.	1	
	385767	Latch Cover, R.H.	1	
5	385753	Door Hinge Spacer	*4	
6	385754	Door Hinge Washer	8	
7		Flat Washer, 3/8"	*8	
8		Bolt, 3/8-16 x 1.75 Hex Hd. GD5 Z.P.	*4	
9		Door Latch Weldment, L.H.	1	
		Door Latch Weldment, R.H.	1	
10		Flat Washer, 1/4"	*8	
11		Bolt, 1/4-20 x 1.00 Hex Hd GD5 Z.P.	*5	
12	385761	Door Latch Gasket	*1	
13	385766	Latch, L.H.	1	
	385766	Latch, R.H.	1	
14		Lock Nut, Nylon Insert 3/8-16 GR5 Z.P.	*4	
15	9104640	Upper Door Hinge Weldment, L.H.	1	
	477798	Upper Door Hinge Weldment, R.H.	1	
16	477782	Lower Door Hinge Weldment, L.H.	1	
	477799	Lower Door Hinge Weldment, R.H.	1	
17	478227	Inside Door Hinge Cyl. Plate L.H.	1	
	478226	Inside Door Hinge Cyl. Plate L.H.	1	
18	385746	Side Bulb Seal, Small	*1	168.5"
19	385769	Ball Stud	*1	
20		Lock Nut, Nylon Insert 5/16-18	*1	

Parts List for Figure 9-5 (Cont.)

Item	Part Number	Description	Qty	Notes
21	385762	Door Handle Spacer, Nylon	*3	
22	385764	HHCS, M6 x 1.00 x 25MM GR8 Z.N.	*3	
23		Bolt, 1/4-20 x .75 Hex Hd. GD5 Z.P.	*1	
*Quantities Shown are Per Side				

Figure 9-6 Vista Cab Heater/AC/Pressurizer Unit



CAP3-0070

6HC/8HC Parts Manual
Section 9. Options

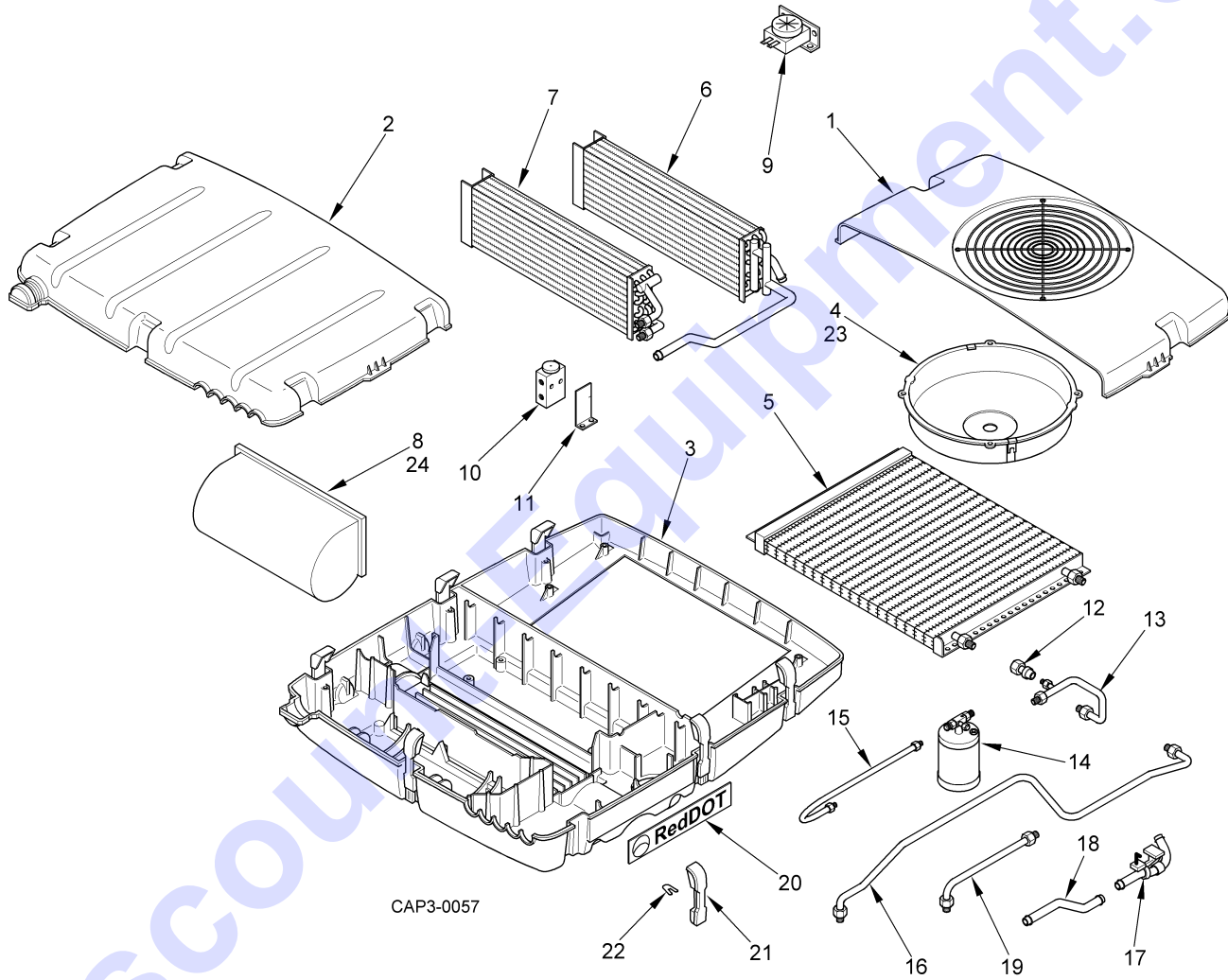
Parts List for Figure 9-6

Item	Part Number	Description	Qty	Notes
1	374720	Vista Cab Deluxe with Heater/AC/Pressurizer Unit		
2		AC/Heater Kit	1	
3		Air Cleaner Assembly	1	
4		Mounting Bracket, Air Cleaner	2	
5		Bonnet, Air Cleaner	1	
6	447907	Weldment, Compressor Bracket	1	
7	477751	Compressor Assembly	1	
8		Pulley, Compressor	1	
9		Radiator Bracket	1	
10	477752	Belt, Compressor - 1/2" x 37"	1	
11		Weldment, Battery Bracket	1	Not Illustrated
12		Cover, AC/Heater Hose	1	
13		Grommet for 1" Hole x 1/4" Panel	2	Not Illustrated
14		Grommet for 3" Hole x 1/4" Panel	2	Not Illustrated
15	477924	Refrigerant Hose Assembly	102"	
16		Hose - 5/8"	206"	
17		Hose - 2"	10"	Not Illustrated
18		Hose Clamp - #10	4	
19		Hose Clamp - #20	2	
20		Hose Clamp - #28	2	Not Illustrated
21		Clamp, 1/2 - Neoprene Cushion	8	Not Illustrated
22		Socket Pipe Fitting, #40 - 1-1/4 Male Adapter	1	Not Illustrated
23		Socket Pipe Fitting, #40 - 1-1/4 Female Adapter	1	Not Illustrated
24		O-Ring, 1-5/8" Dia.	1	Not Illustrated
25		Wire Harness, AC/Heater	1	Not Illustrated
26		Ground Cable - 30" Long	1	Not Illustrated
27		Cable Tie, Black Nylon - 6" Long	8	Not Illustrated
28		Elbow, 90°, MF - 3/8"	1	Not Illustrated

Parts List for Figure 9-6 (Cont.)

Item	Part Number	Description	Qty	Notes
29	477728	Elbow, 90°, MF - 3/8" x 1/2	2	
30		Close Nipple - 3/8"	1	
31		Long Nipple - 3/8" x 2" Long	1	Not Illustrated
32		Union Tee, FFF - 3/8"	1	
33	477729	Barbed Tee - 1/2 NPT x 1" Barb x 1" Barb	1	
34	477730	Hose Barb, M - 3/8" Pipe to 5/8" Hose	2	
35		Ball Valve, FF - 3/8"	2	
36		Bolt - 1/4-20 x 3/4" Hex Head GD5 Z.P.	4	Not Illustrated
37		Flat Washer - 1/4"	8	Not Illustrated
38		Locknut, Hex - 1/4-20 GR5 Z.N.	4	Not Illustrated
39		Bolt - 3/8-16 x 1-1/4" Hex Head GD5 Z.P.	3	Not Illustrated
40		Bolt - 3/8-16 x 1-3/4" Hex Head GD5 Z.P.	2	
41		Bolt - 3/8-16 x 2" Hex Head GD5 Z.P.	1	
42		Bolt - 3/8-16 x 5-1/2" Hex Head GD5 Z.P.	1	
43		Flat Washer - 3/8"	11	
44		Lock Washer - 3/8 - Med	2	
45		Locknut, Hex - 3/8-16 GR5 Z.N.	5	
46		Hex Nut - 3/8	2	Not Illustrated
47	439487	Bolt - M10 x 1.25 x 35MM (For Pulley)	3	
48		Bolt - M10 x 1.50 x 40MM (For Engine Mgt)	4	Not Illustrated
49		Lock Washer - M10	3	
50		Fan Collar - Kubota	1	Not Illustrated
51		Bolt - M6 x 1.5 x 25MM Hex Head	4	Not Illustrated

Figure 9-7 Vista Cab AC/Heater Assembly



Parts List for Figure 9-7

Item	Part Number	Description	Qty	Notes
	374721	Vista Cab A/C, Heater and Pressurizer Assembly		
1		Cover, Condenser	1	
2		Cover, Evaporator	1	
3		Housing	1	
4		Fan/Motor Assembly 12V	1	
5	387174	Condenser	1	
6	387175	Heater Core Assembly	1	
7	387163	Evaporator Assembly	1	
8	387169	Motor, Blower Assembly, 12V	1	
9	387177	Thermostat, Side and Bottom Mount	1	
10	387158	Expansion Valve	1	
11		Bracket, Expansion Valve	1	
12	387171	Pressure Switch	1	
13		Tube, #6 Rec. Drier-Cond	1	
14	387181	Receiver Drier, R134A	1	
15		Tube, #6 Condenser	1	
16		Tube Assembly, Inlet, Condenser	1	
17		Water Valve, Cable Oper.	1	
18		Tube, Heater	1	
19		Tube Assembly, Outlet	1	
20		Plackard	1	
21		Latch, Over Center Assembly	6	
22		Retainer, Latch Pivot	6	
23		Fan/Motor Assembly 24V	1	
24		Motor, Blower Assembly, 24V	1	
25		Screw, #8 Plastite, Hex Hd.		Not Illustrated
26		Screw, #12 Plastite, Hex Hd		Not Illustrated
27		Wire Harness Assembly	1	Not Illustrated

Parts List for Figure 9-7 (Cont.)

Item	Part Number	Description	Qty	Notes
28		Relay, 12V	1	Not Illustrated
29		Relay, 24V	1	Not Illustrated
30		Water Valve Converter	1	Not Illustrated
31		Plenum, Outlet	1	Not Illustrated
32		Louver	1	Not Illustrated
33	387159	Switch, Rotary - 3-Speed	1	Not Illustrated
34	387173	Switch, Rocker, Black	1	Not Illustrated
35	387179	Knob, Rotary Control		Not Illustrated
36		Housing, Filter, Plenum	1	Not Illustrated
37	387170	Filter, Recirc.	1	Not Illustrated
38		Cover, Recirc. Filter	1	Not Illustrated
39		Resistor, for 12V	1	Not Illustrated
40		Resistor, for 24V	1	Not Illustrated