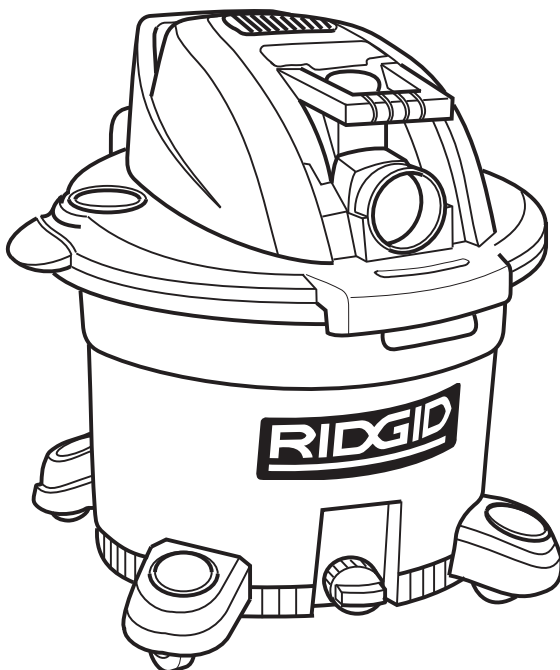




OPERATOR'S MANUAL

12 U.S. GALLONS/45 LITERS WET/DRY VAC

WD1250



FOR QUESTIONS OR INFORMATION CONTACT US AT
CALL 1-800-4-RIDGID (1-800-474-3443) OR
www.ridgidvac.com

▲ WARNING:

To reduce the risk of injury, the user must read and understand the operator's manual before using this product.

Thank you for buying a RIDGID product.

SAVE THIS MANUAL FOR FUTURE REFERENCE

Table of Contents

Section	Page	Section	Page
Important Safety Instructions	2	Emptying the Drum	8
Introduction	4	Cord Maintenance	9
Unpacking and Checking		Moving the Wet/Dry Vac	9
Carton Contents	4	Blowing Feature	9
Caster/Caster Foot Assembly	4	Maintenance	10
Replacement Filter Assembly	5	Filter	10
Wet/Dry Vac Assembly	6	Cleaning and Disinfecting	
Cord Storage	6	the Wet/Dry Vac	11
To Store Your Accessories	7	Storage	11
Operation	7	Casters	11
Vacuuming Dry Materials	8	Repair Parts	12
Vacuuming Liquids	8	Warranty	14

IMPORTANT SAFETY INSTRUCTIONS

Safety is a combination of using common sense, staying alert, and knowing how your wet/dry vacuum cleaner ("Vac") works.

Safety Signal Words

▲ DANGER: Indicates an imminently hazardous situation which, if not avoided, **will** result in death or serious injury.

▲ WARNING: Indicates a potentially hazardous situation which, if not avoided, **could** result in death or serious injury.

▲ CAUTION: Indicates a potentially hazardous situation which, if not avoided, **may** result in minor or moderate injury, or property damage.

When using your Vac, always follow basic safety precautions including the following:

▲ WARNING - To reduce the risk of fire, electric shock, or injury:

- Read and understand this operator's manual and all labels on the Wet/Dry Vac before operating.
- Use only as described in this manual.
- Do not leave Vac running while unattended - you may fail to notice important signs indicating abnormal operation such as loss of suction, debris/liquid exiting exhaust, or abnormal motor noises. Immediately stop using Vac if you notice these signs.
- Sparks inside the motor can ignite flammable vapors or dust. To reduce the risk of fire or explosion, do not use

near combustible liquids, gases, or dusts, such as gasoline or other fuels, lighter fluid, cleaners, oil-based paints, natural gas, coal dust, magnesium dust, grain dust, aluminum dust, or gun powder.

- Do not vacuum anything that is burning or smoking, such as cigarettes, matches, or hot ashes.
- Do not vacuum drywall dust, cold fireplace ash, or other fine dusts with standard filter. These may pass through the filter and be exhausted back into the air. Use a fine dust filter instead.
- To reduce the risk of inhaling toxic vapors, do not vacuum or use near toxic or hazardous materials.
- To reduce the risk of electric shock, do not expose to rain or allow liquid to enter motor compartment. Store indoors.
- Do not allow to be used as a toy. Close attention is necessary when used by or near children.
- Do not use with a torn filter or without the filter installed except when vacuuming liquids as described in this manual. Dry debris ingested by the impeller may damage the motor or be exhausted into the air.
- **WARNING:** The power cord on this product contains lead, a chemical known in the State of California to cause birth defects or other reproductive harm. **Wash hands after handling.**

- Do not leave Vac when plugged in. Unplug from outlet when not in use and before servicing.
- Turn off Vac before unplugging.
- To reduce the risk of injury from accidental starting, unplug power cord before changing or cleaning filter.
- Do not unplug by pulling on cord. To unplug, grasp the plug, not the cord.
- Do not use with damaged cord, plug or other parts. If your Vac is not working as it should, has missing parts, has been dropped, damaged, left outdoors, or dropped into water, call customer service.
- Do not pull or carry by cord, use cord as handle, close a door on cord, or pull cord around sharp edges or corners. Do not run Vac over cord. Keep cord away from heated surfaces.
- Do not handle plug, switch, or the Vac with wet hands.
- Do not put any object into ventilation openings. Do not vacuum with any ventilation openings blocked; keep free of dust, lint, hair or anything that may reduce air flow.
- Keep hair, loose clothing, fingers, and all parts of body away from openings and moving parts.
- To reduce the risk of falls, use extra care when cleaning on stairs.
- To reduce the risk of back injury or falls, do not lift a Vac that is heavy with liquid or debris. Partially empty the Vac by scooping debris or draining liquid to make it comfortable to lift.
- To reduce the risk of personal injury or damage to Vac, use only Ridgid recommended accessories.
- When using as a blower:
 - Direct air discharge only at work area.
 - Do not direct air at bystanders.
 - Keep children away when blowing.
 - Do not use blower for any job except blowing dirt and debris.
 - Do not use as a sprayer.
 - Wear safety eyewear.
- To reduce the risk of eye injury, wear safety eyewear. The operation of any utility Vac or blower can result in foreign objects being blown into the eyes, which can result in severe eye damage.
- This Wet/Dry Vac is double-insulated, eliminating the need for a separate

grounding system. Use only identical replacement parts. Read the instructions for Servicing Double-Insulated Wet/Dry Vacs before servicing.

- Use only extension cords that are rated for outdoor use. Extension cords in poor condition or too small in wire size can pose fire and shock hazards. To reduce the risk of these hazards, be sure the cord is in good condition and that liquid does not contact the connection. Do not use an extension cord with conductors smaller than 16 gauge (AWG) in size. To reduce power loss, use a 14 gauge extension cord if 25 to 50 ft long and 12 gauge for 50 ft or longer.

▲ CAUTION:

- To reduce the risk of hearing damage, wear ear protectors when using for extended hours or using in a noisy area.
- For dusty operations, wear dust mask.
- **Static shocks are common** when the relative humidity of the air is low. Vacuuming fine debris with your Vac can deposit static charge on the hose or Vac. To reduce the frequency of static shocks in your home or when using this Vac, add moisture to the air with a humidifier.

Observe the following warnings that appear on the motor housing of your Vac:

 **DOUBLE INSULATED
GROUNDING NOT REQUIRED.
WHEN SERVICING USE ONLY
IDENTICAL REPLACEMENT PARTS.**

▲ WARNING: For your own safety, read and understand owner's manual. Do not run unattended. Do not pick up hot ashes, coals, toxic, flammable or other hazardous materials. Do not use around explosive liquids or vapors.

WARNING: To reduce the risk of electric shock - do not expose to rain - store indoors.

SAVE THIS MANUAL

Introduction

This Wet/Dry Vac is intended for household use. It may be used for vacuuming wet or dry media and may be used as a blower.

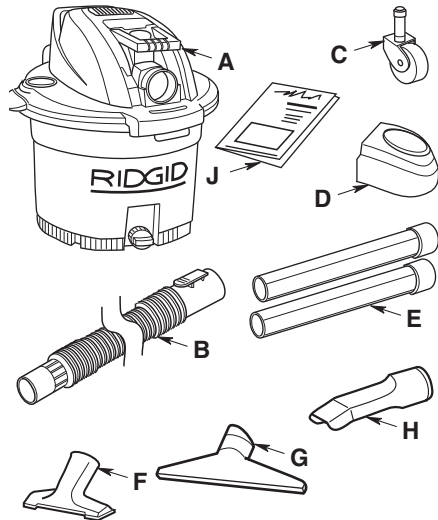
Read this operator's manual to familiarize yourself with the product features and to understand the specific usage of your new Vac.

Unpacking and Checking Carton Contents

Remove entire contents of carton. Check each item against the Carton Contents List. Contact 1-800-4-RIDGID or E-mail us at info@ridgidvac.com if any parts are damaged or missing.

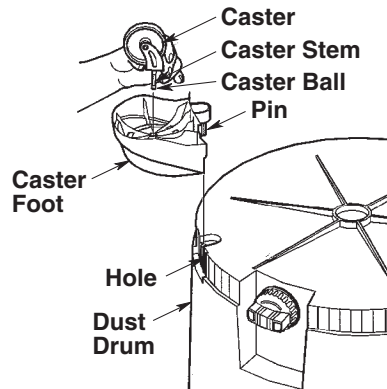
Carton Contents List

Key	Description	Qty
A	Wet/Dry Vac	1
B	Tug-A-Long Hose.....	1
C	Caster	4
D	Caster Foot w/Storage.....	4
E	Extension Wands	2
F	Utility Nozzle	1
G	Wet Nozzle.....	1
H	Car Nozzle	1
J	Operator's Manual	1



Caster/Caster Foot Assembly

1. Turn the dust drum upside down on the floor.
2. Insert the caster feet into the bottom of drum, as shown (4 places).
3. Push on the caster foot until the foot is flush with bottom of the dust drum.
4. Insert the caster stem into the socket of the caster foot, as shown (4 places).
5. Push on the caster until the ball on the caster stem is inserted all the way into the socket. You will hear the ball snap into the socket and the caster will swivel easily when positioning is correct.
6. Turn the drum upright.



Replacement Filter Assembly

1. Carefully slide the filter over the filter cage, sliding it over the center ring covering the 3 slots until the filter stops against the lid.
2. Place filter nut and filter plate onto threaded stud and tighten it down. Finger tighten only.

NOTE: Lever of filter nut should be away from plate as shown.

IMPORTANT: Do not overtighten as this may deform or crack the filter cage, or filter.

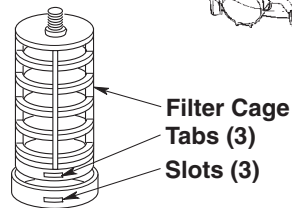
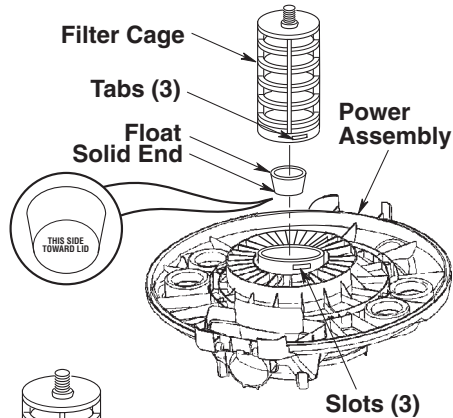
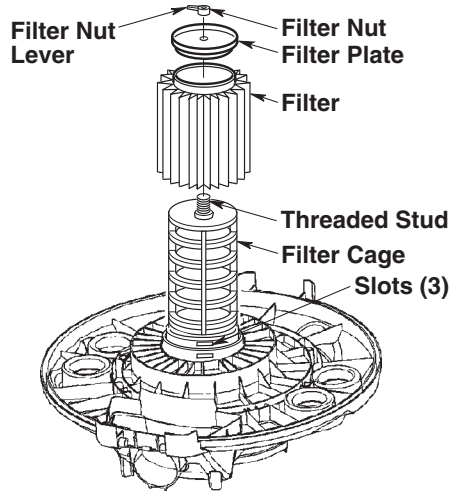
NOTE: If filter cage or float needs to be replaced or removed, use a flat blade screwdriver and insert the blade near one of the tabs between the filter cage and the center ring of the lid. Pry the tab out of the slot. Tilt the cage and lift away from the lid. To replace, follow the assembly instructions below:

⚠ WARNING: For your own safety, never connect plug to power source outlet until all assembly steps are complete and you have read and understood the safety and operation instructions. Do not operate vac with any parts damaged or missing.

3. Place the float over the opening in the center of the lid with the words "This Side Towards Lid" laying face down over the hole.

⚠ WARNING: To reduce the risk of personal injury or damage to vac be sure to keep hands, fingers, or any other foreign objects out of the center opening when assembling the float .

4. Line up filter cage tabs with slots in the center ring of the lid.
5. Push on the filter cage until the tabs snap into slots for a secure fit.



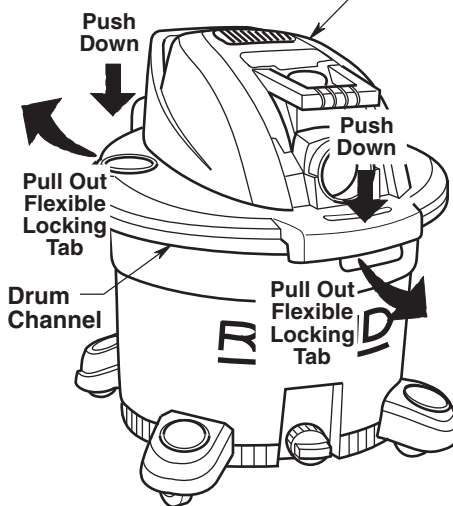
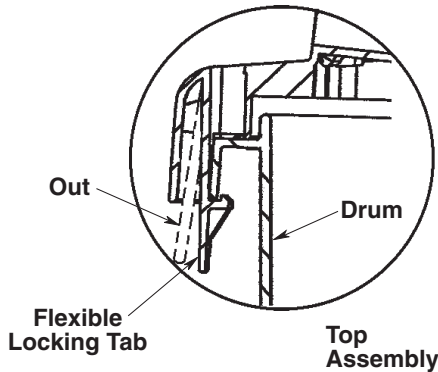
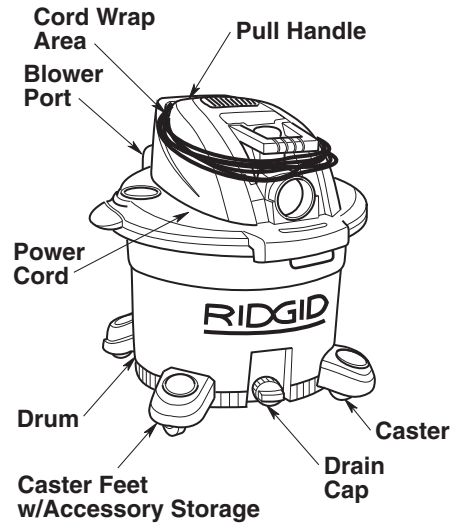
Wet/Dry Vac Assembly

1. Line up vacuum port in top assembly with drain cap located on the front of the drum.
2. Place lid on top of drum with the drum latches snug against the drum channel.
3. Be sure lid completely covers the top of the drum so leakage does not occur.
4. Push down on top of the drum latch areas to cause the flexible locking tabs to hook onto the drum lip of the channel.
5. Make sure that the locking tabs are snapped in place to prevent the lid from coming off. (See inset).

Your new Wet/Dry Vac is ready for use.

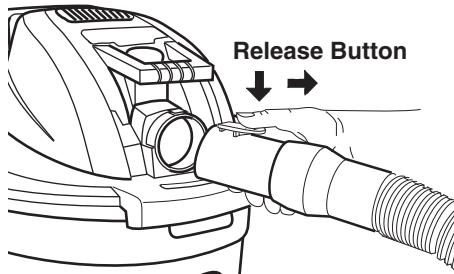
Cord Storage

Simply, wrap the power cord around the power head and snap the connector on the plug to a wrap of the cord.



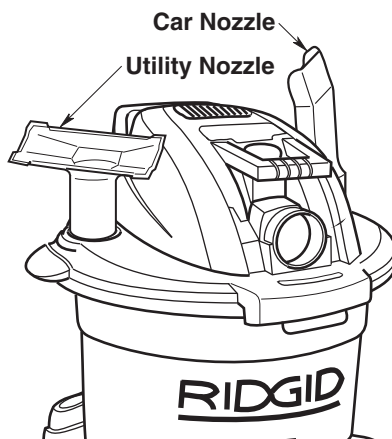
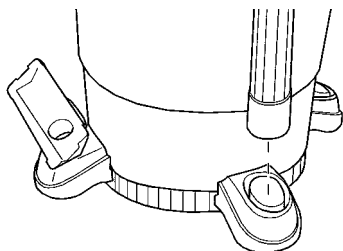
Insert Hose

Insert the push button end of the "Tug-a-Long" hose into the inlet of the vac. The hose should snap into place. To remove the hose from the vac, press the release button in the hose assembly and pull the hose out of the vac inlet, as shown.



To Store Your Accessories

1. Slide extension wands and accessories over the rings on the caster feet.
2. To remove wands and accessories, lightly rotate and pull upward.
3. Accessories may also be stored in the rings provided on lid.



Operation

▲ WARNING: To reduce the risk of fire, explosion, or damage to Vac:

- Do not leave Vac running while unattended - you may fail to notice important signs indicating abnormal operation such as loss of suction, debris/liquid exiting exhaust, or abnormal motor noises. Immediately stop using Vac if you notice these signs.
- Do not leave Vac plugged-in when not in use.
- Do not continue running when float has cut off suction.
- Do not operate Vac in areas with flammable gases, vapors or explosive dust in the air. Sparks inside the motor can ignite airborne flammables. Flammable gases and vapors include: lighter fluid, solvent-type cleaners, oil-based paints, gasoline, alcohol, or aerosol sprays. Flammable dusts include: coal, magnesium, aluminum, grain, or gun powder.
- Do not vacuum up explosive dusts, flammable liquids, or hot ashes.
- Do not use vac as a sprayer.

▲ WARNING: To reduce the risk of electric shock or injury:

- Do not expose to rain or allow liquid to enter motor compartment. Store indoors.
- Do not handle plug, switch, or vac with wet hands.
- Do not service Vac while it is plugged-in. If your Vac is not working as it should, has missing parts, has been dropped, damaged, left outdoors, or dropped into water, return it to an independent service center or call customer service.
- When using an extension cord, use only outdoor-rated cords that are in good condition. Do not allow the connection to come into contact with liquid.
- Do not vacuum toxic materials to reduce the risk of inhaling the vapors or dust.

To reduce the risk of electric shock, this appliance has a polarized plug (one blade is wider than the other). This plug will fit in a polarized outlet only one way. If the plug does not fit fully in the outlet, reverse the plug. If it still does not fit, contact a qualified electrician to install the proper outlet. Do not change the plug in any way.

After you plug the power cord into the outlet, turn the unit on by pushing the switch from position "O" to position "I". The symbols used on the switch actuator are international "On & Off" symbols. "O" is the symbol for "OFF" and "I" is the symbol for "ON".

7

○ = OFF | = ON

Operation (continued)

Familiarize yourself with the accessories included with the vac. Each accessory may be used in various ways for vacuuming and blowing debris. Here is a list of the accessories and their uses.

Utility Nozzle - General purpose nozzle for most vacuuming applications.

Car Nozzle - Dry pickup nozzle for car interiors and most upholstery cleaning.

Wet Nozzle - Used for wet pickup on smooth surfaces to pick up liquid and dry the surface in one stroke.

Extension Wands - These wands can be connected together and provides additional length for more reach.

Hose - Provides transfer of vacuum or blowing capability to work site. Provides the means of attaching extension wands and nozzles.

▲ WARNING: To reduce the risk of fire or electric shock, do not run vac unattended.

Vacuuming Dry Materials

1. The filter must always be in correct position at all times to avoid leaks and possible damage to vac.
2. Your using your vac to pick up very fine dust, it will be necessary for you to empty the drum and clean the filter at more frequent intervals to maintain peak vac performance.

NOTE: A dry filter is necessary to pick up dry material. If you use your vac to pick up material when the filter is wet, the filter will clog quickly and be very difficult to clean.

3. If your filter is wet but you need to use the vac to pick up dry material, you can quickly dry the filter by running the vac without hose attached for about 10 minutes. The clean air rushing through the vac will help dry the filter.

Vacuuming Liquids

1. When picking up small amounts of liquid the filter may be left in place.
2. When picking up large amounts of liquid we recommend that the filter be removed. If the filter is not removed, it will become saturated and misting may appear in the exhaust.
3. When the liquid in the drum reaches a predetermined level, the float mechanism will rise automatically to cut off air-flow. You will know that the float has risen because vac airflow ceases and the motor noise will become higher in pitch, due to increased motor speed. When this happens, turn off the vac, unplug the power cord, and empty the drum.
4. After using the vac to pick up liquids, the filter must be dried to avoid possible mildew and damage to the filter.

IMPORTANT: To reduce the risk of damage to the vac, do not run motor with float in raised position.

Emptying the Drum

▲ WARNING: To reduce the risk of injury from accidental starting, unplug power cord before emptying the drum.

1. The vac comes equipped with a drain for easy emptying of liquids. Simply unscrew the drain cap and lift the opposite side slightly to empty the drum.
2. Another option is to remove the lid. Pull the flexible latches outward on each side of the lid to release from the drum.
3. While holding the latches out, lift the top assembly up and away from the drum.
4. Lay top assembly upside down on a clean area while emptying drum or changing filter.

5. Dump the drum contents into the proper waste disposal container.

⚠ WARNING: To reduce the risk of back injury or falls, do not lift a vac heavy with liquid or debris. Scoop or drain enough contents out to make the vac light enough to lift comfortably.

Cord Maintenance

When vacuuming is complete, unplug the cord and wrap it around the motor cover.

Moving the Wet/Dry Vac

Should it become necessary to pick the vac up to move it, the handles on the sides of the dust drum are used to lift. To maneuver the vac, the pull handle above the inlet should be used.

Blowing Feature

Your Wet/Dry Vac features "Full Blowing". It can blow sawdust and other debris. Follow the steps below to use your vac as a blower.

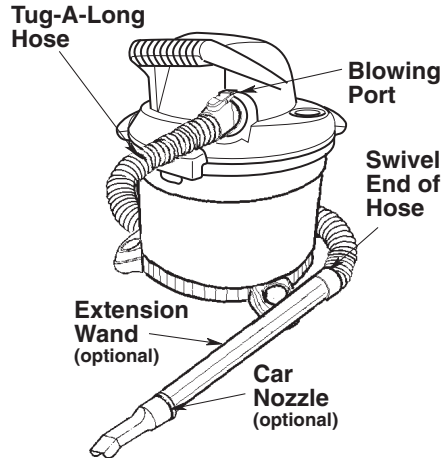
⚠ WARNING: Always wear safety eyewear complying with ANSI Z87.1 (or in Canada, CSA Z94.3) before using as a blower.

⚠ WARNING: To reduce the risk of injury to bystanders, keep them clear of blowing debris.

⚠ CAUTION: Wear a dust mask if blowing creates dust which might be inhaled.

⚠ CAUTION: To reduce the risk of hearing damage wear ear protectors when using the vac/blower for extended hours or when using in a noisy area.

1. Locate blowing port of your Wet/Dry Vac.
2. Insert Tug-A-Long end of hose into the blowing port of the vac.
3. (Optional) Attach extension wand to swivel end of hose, then place a car nozzle on the wand.
4. Turn vac on and you are ready to use your vac as a blower.



Maintenance

Filter

▲ WARNING: To reduce the risk of injury from accidental starting, unplug power cord before changing or cleaning filter.

NOTE: The filter is made of high quality paper designed to stop very small particles of dust. The filter can be used for dry pick up or small amounts of liquid. Handle the filter carefully when removing to clean or installing it. Creases in the filter pleats may occur from installation but will not affect the performance of the filter.

Filter Cleaning

Your filter should be cleaned often to maintain peak vac performance.

Be sure to dry the filter before storing or picking up dry debris.

IMPORTANT: After cleaning, check the filter for tears or small holes. Do not use a filter with holes or tears in it. Even a small hole can cause a lot of dust to come out of your vac. Replace it immediately.

Filter Removal

To remove the filter for cleaning or replacement, unscrew the filter nut from the filter cage and lift off filter and filter plate .

▲ WARNING: Do not remove the filter cage and float. The float prevents water from entering the impeller and damaging the motor. The cage prevents fingers from touching the moving impeller.

IMPORTANT: To avoid damage to the blower wheel and motor, always reinstall the filter before using the vac for dry material pick-up.

Cleaning A Dry Filter

1. Some removal of dry debris can be accomplished without removing the filter from the vac. Slap your hand on top of the lid while the vac is turned off.
2. For best cleaning results due to accumulated dust, clean the filter in an open area. Cleaning **SHOULD** be done outdoors and not in the living quarters.
3. After filter removal from vac, remove the dry debris by gently tapping filter against the inside wall of your dust drum. The debris will loosen and fall.
4. For thorough cleaning of dry filter with fine dust (no debris), run water through it as described under "Cleaning A Wet Filter"

Cleaning A Wet Filter

After filter is removed, run water through the filter from a hose or spigot. Take care that water pressure from the hose is not strong enough to damage filter.

Remember: To dry a filter quickly, reinstall the filter on the vac and allow the unit to run for approximately 10 minutes. The clean air rushing through the filter will dry it.

Installation

Refer to page 5 "Replacement Filter Assembly" Section of this manual.

Allow the filter to dry before reinstalling and storing the vac.

Cleaning and Disinfecting the Wet/Dry Vac

To keep your Wet/Dry Vac looking its best, clean the outside with a cloth dampened with warm water and mild soap.

To clean the drum:

1. Dump debris out.
2. Wash drum thoroughly with warm water and mild soap.
3. Wipe out with dry cloth.

Before prolonged storage or as needed (i.e.; waste water pick up) the drum should be disinfected.

To disinfect the drum:

1. Pour 1 gallon of water and 1 teaspoon chlorine bleach into the drum.
2. Let solution stand for 20 minutes, carefully swishing every few minutes, making sure to wet all inside surfaces of the drum.
3. Empty drum after 20 minutes. Rinse with water until bleach smell is gone. Allow drum to dry completely before sealing the motor on the drum.

Storage

Before storing your vac, the dust drum should be emptied and cleaned. The cord should be wrapped around the unit and the hose should be stored as described in this manual. Accessories should be kept in the same area as the vac so they can be readily available. The vac should be stored indoors.

Casters

If your casters are noisy, you may put a drop of oil on the roller shaft to make them quieter.

▲ WARNING: To assure product SAFETY and RELIABILITY, repairs and adjustments should be performed by Authorized Service Centers, always using RIDGID replacement parts.

Repair Parts


12 U.S. Gallons Wet/Dry Vac Model Number WD12500

RIDGID parts are available on-line at www.ridgidparts.com

Always order by Part Number - Not by Key Number

WARNING

SERVICING OF DOUBLE-INSULATED WET/DRY VAC

In a double-insulated Wet/Dry Vac, two systems of insulation are provided instead of grounding. No grounding means is provided on a double-insulated appliance, nor should a means for grounding be added. Servicing a double-insulated Wet/Dry Vac requires extreme care and knowledge of the system, and should be done only by qualified service personnel. Replacement parts for a double-insulated Wet/Dry Vac must be identical to the parts they replace. Your double-insulated Wet/Dry Vac is marked with the words "DOUBLE INSULATED" and the symbol  (square within a square) may also be marked on the appliance.

To reduce the risk of injury from electrical shock, unplug power cord before servicing the electrical parts of the Wet/Dry Vac.

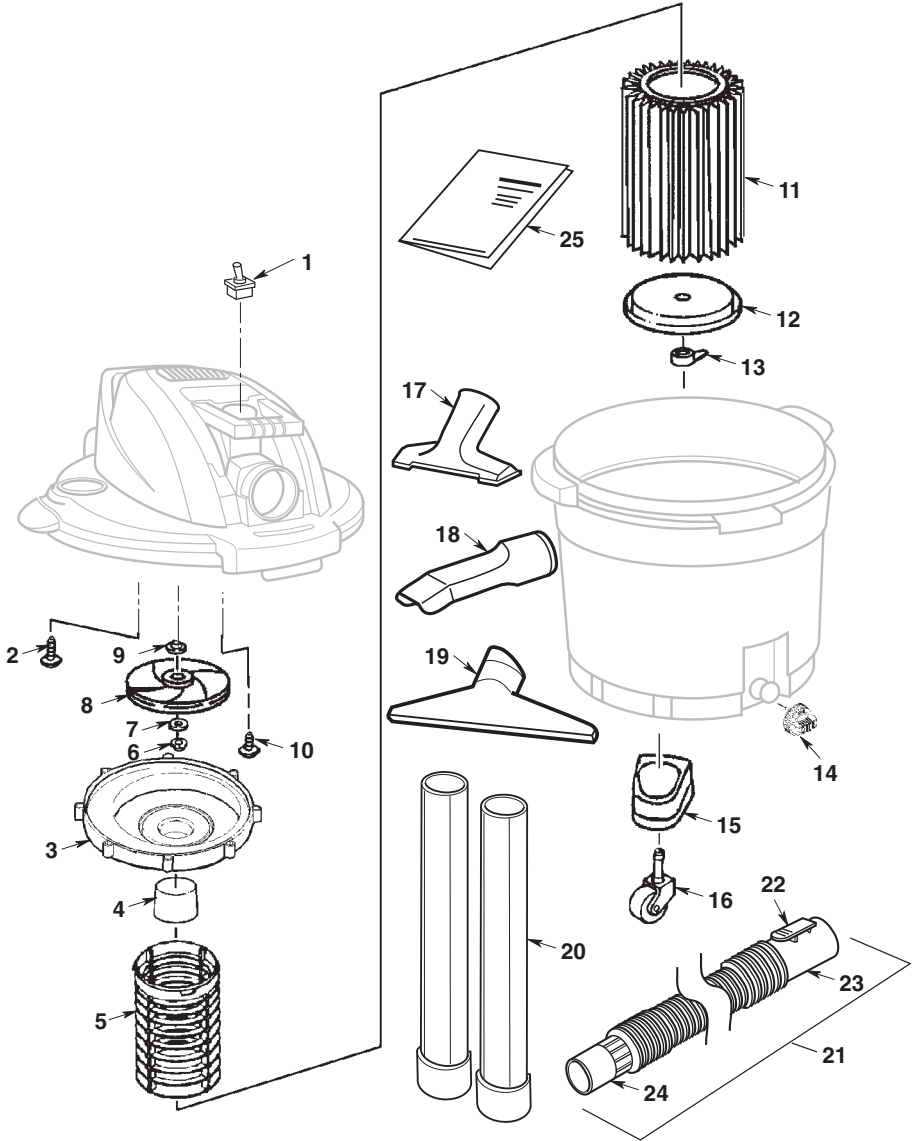
Key No.	12 Gallon Part No.	Description
1	813213	Toggle Switch
2	820563-4	* Screw, Pan Hd. Ty. "AB" 10 x 3/4 Ser.
3	829692	Collector Assembly
4	509488	Float
5	823201-1	Filter Cage
6	826817	Nut, Hex Flange 5/16-18
7	15534-1	Washer
8	818413-2	Blower Wheel
9	818961	Spacer
10	820563-5	* Screw, Pan Hd. Ty. "AB" 10 x 1-1/4 Ser.
11	VF4000	† Filter
12	73317	Filter Plate
13	73316	Filter Nut
14	73185	Drain Cap
15	828833	Caster Foot w/Storage
16	331605	Caster
17	VT2509	† Utility Nozzle
18	VT2503	† Car Nozzle
19	VT2510	† Wet Nozzle
20	VT2508	Extension Wands
21	826356-1	† Hose Assembly (Includes Key Nos. 22 thru 24)
22	826355-1	Spring Tab
23	826354	End Hose Interlock
24	815096	Adapter Hose
25	SP6663	Operator's Manual

* Standard Hardware Item - May Be Purchased Locally

† These replacement parts are available where you purchased your vac.

12 U.S. Gallons Wet/Dry Vac Model Number WD12500

RIDGID parts are available on-line at www.ridgidparts.com



RIDGID®



- **What is covered**

RIDGID® Wet/Dry Vac's are warranted to be free of defects in workmanship and material.

- **How long coverage lasts**

This warranty lasts for the lifetime of the RIDGID® Wet/Dry Vac.

- **How to obtain service**

To obtain the benefit of this warranty, please call 1-800-4-RIDGID (1-800-474-3443).

- **What we will do to correct problems**

Warranted Wet/Dry Vac's will be repaired or replaced, at Ridge Tool Company's option, and returned at no charge; or, if after three attempts to repair or replace during the warranty period the Wet/Dry Vac is still defective, you can elect to receive a full refund of your purchase price.

- **What is not covered**

Failures due to misuse, abuse or normal wear and tear are not covered by this warranty. **RIDGE TOOL COMPANY SHALL NOT BE RESPONSIBLE FOR ANY INCIDENTAL OR CONSEQUENTIAL DAMAGES.**

- **How local laws relate to the warranty**

Some states do not allow the exclusion or limitation of incidental or consequential damages, so the above limitation or exclusion may not apply to you. This warranty gives you specific rights, and you may also have other rights which vary from state to state, province to province, or country to country.

- **No other express warranty applies**

This FULL LIFETIME WARRANTY is the sole and exclusive warranty for RIDGID® Wet/Dry Vac's. No employee, agent, dealer, or other person is authorized to alter this warranty or make any other warranty on behalf of Ridge Tool Company.

Stock No. WD1250

Model No. WD12500

Serial Number _____

Model and serial numbers may be found next to the blowing port. You should record both model and serial numbers in a safe place for future use.

**QUESTIONS OR COMMENTS? CALL
1-800-4-RIDGID (1-800-474-3443)**

www.ridgidvac.com

Please have your Model Number and Serial Number on hand when calling.



EMERSON™
Professional Tools

**Emerson Tool Company
A Division Of
Emerson Electric Co.**

© 2008 Emerson

Part No. SP6663

Form No. SP6663-2

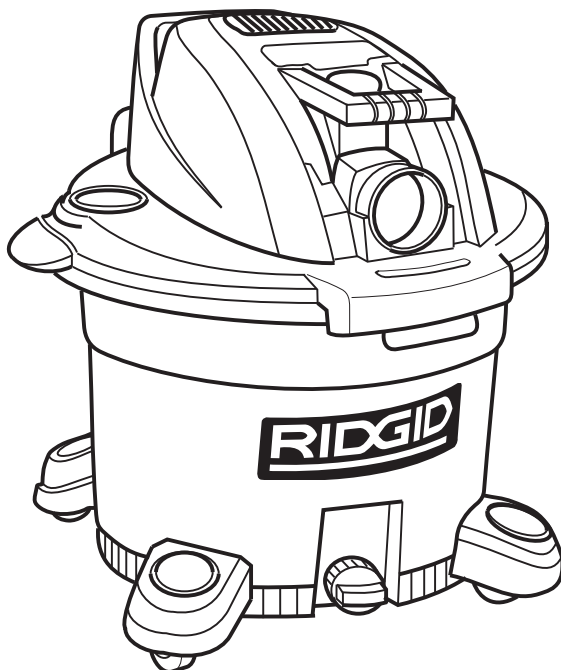
Printed in Mexico 04/08



MANUAL DEL OPERADOR

ASPIRADORA PARA MOJADO/SECO DE 12 GALONES EE.UU./45 LITROS

WD1250



SI TIENE PREGUNTAS O DESEA INFORMACIÓN, CONTÁCTENOS LLAMANDO AL
1-800-4-RIDGID (1-800-474-3443) O
CONECTÁNDOSE A www.ridgidvac.com

▲ ADVERTENCIA: Para reducir el riesgo de lesiones, el usuario debe leer y entender el manual del operador antes de utilizar este producto.

Gracias por comprar un producto RIDGID.

GUARDE ESTE MANUAL PARA REFERENCIA FUTURA

Índice

Sección	Página	Sección	Página
Instrucciones de seguridad importantes	16	Vaciado del tambor	22
Introducción	18	Mantenimiento del cordón	23
Desempaquetado y comprobación del contenido de la caja de cartón	18	Transporte de la aspiradora para mojado/seco	23
Ensamblaje de las ruedecillas/patas para ruedecilla	18	Dispositivo de soplado	23
Ensamblaje del filtro de repuesto	19	Mantenimiento	24
Ensamblaje de la aspiradora para mojado/seco	20	Filtro	24
Almacenamiento del cordón	20	Limpieza y desinfección de la aspiradora para mojado/seco	25
Para guardar los accesorios	21	Almacenamiento	25
Funcionamiento	21	Ruedecillas	25
Recogida de materiales secos con la aspiradora	22	Piezas de repuesto	26
Recogida de líquidos con la aspiradora	22	Garantía	28

INSTRUCCIONES DE SEGURIDAD IMPORTANTES

La seguridad es una combinación de sentido común, permanecer alerta y saber cómo funciona la aspiradora para mojado/seco (“la aspiradora”).

Palabras de señal de seguridad

▲ PELIGRO: indica una situación inminentemente peligrosa que, si no se evita, **causará** la muerte o lesiones graves.

▲ ADVERTENCIA: indica una situación potencialmente peligrosa que, si no se evita, **podría** causar la muerte o lesiones graves.

▲ PRECAUCIÓN: indica una situación potencialmente peligrosa que, si no se evita, **podría** causar lesiones leves o moderadas.

Cuando utilice la aspiradora para mojado/seco siga siempre las precauciones básicas de seguridad, incluyendo las siguientes.

▲ ADVERTENCIA – Para reducir el riesgo de incendio, sacudidas eléctricas o lesiones:

- Lea y entienda este manual del usuario y todas las etiquetas que están colocadas en la aspiradora para mojado/seco antes de utilizarla
- Utilice la aspiradora únicamente de la manera que se describe en este manual.
- No deje la aspiradora en marcha mientras esté desatendida. Usted podría no notar señales importantes que indiquen un funcionamiento anormal, tal como pérdida de succión, residuos o líquido que salen por el escape o ruidos anormales del motor. Deje de usar la aspiradora inmediatamente si observa estas señales.
- Las chispas que se producen en el interior del motor pueden incendiar los vapores inflamables o el polvo. Para reducir el riesgo de incendio o explosión: No recoja con la aspiradora líquidos o gases inflamables o combustibles, o polvos

explosivos como gasolina u otros combustibles, líquido encendedor, limpiadores, pinturas a base de aceite, gas natural, hidrógeno, polvo de carbón, polvo de magnesio, polvo de aluminio, polvo de granos de cereal o pólvora, ni use la aspiradora cerca de estos materiales.

- No recoja con la aspiradora nada que esté ardiendo o humeando, como cigarrillos, fósforos o cenizas calientes.
- No recoja con la aspiradora polvo de pared de tipo seco ni hollín frío o ceniza fría de chimenea con un filtro estándar. Este material es un polvo muy fino que puede ser expulsado de vuelta al aire. Utilice un filtro para polvo fino en lugar de un filtro estándar.
- Para reducir el riesgo de inhalar vapores tóxicos, no recoja con la aspiradora materiales tóxicos o peligrosos ni la use cerca de dichos materiales.
- Para reducir el riesgo de descargas eléctricas, no exponga la aspiradora a la lluvia ni deje que entren líquidos en el compartimiento del motor. Guarde la aspiradora en un lugar interior.
- No permita que la aspiradora se utilice como un juguete. Se necesita prestar máxima atención cuando sea utilizada por niños o cerca de éstos.
- No use esta aspiradora con un filtro desgarrado o si no tiene el filtro instalado, excepto cuando recoja líquidos de la manera que se describe en la sección “Funcionamiento” de este manual. Los residuos secos absorbidos por el impulsor podrían dañar el motor o ser expulsados de vuelta al aire.
- **ADVERTENCIA:** El cordón de energía de este producto contiene plomo, una sustancia química que según los conocimientos del estado de California causa defectos de nacimiento u otros daños a la reproducción. **Lávese las manos después de manejar el producto.**
- No abandone la aspiradora cuando esté enchufada. Desenchúfela del tomacorriente cuando no la esté utilizando y antes de realizar servicio de revisión.
- Apague la aspiradora antes de desenchufarla.
- Para reducir el riesgo de lesiones debidas a un arranque accidental, desenchufe el cordón de

- energía antes de cambiar o limpiar el filtro.
- No desenchufe la aspiradora tirando del cordón. Para desenchufarla, agarre el enchufe y no el cordón.
 - No use la aspiradora con el cordón dañado, el enchufe dañado u otras piezas dañadas. Si la aspiradora no funciona como debe, le faltan piezas, se ha caído, ha sido dañada, se ha dejado a la intemperie o se ha caído al agua, llame a servicio al cliente.
 - No tire de la aspiradora usando el cordón ni la lleve por el cordón, ni use el cordón como asa, ni cierre una puerta sobre el cordón, ni tire del cordón alrededor de bordes o esquinas afilados. No pase la aspiradora en marcha sobre el cordón. Mantenga el cordón alejado de las superficies calientes.
 - No maneje el enchufe, el interruptor o la aspiradora con las manos mojadas.
 - No ponga ningún objeto en las aberturas de ventilación. No recoja nada con la aspiradora cuando cualquiera de las aberturas de ventilación esté bloqueada; mantenga dichas aberturas libres de polvo, pelusa, pelo o cualquier cosa que pueda reducir el flujo de aire.
 - Mantenga el pelo, la ropa holgada, los dedos y todas las partes del cuerpo alejados de las aberturas y de las piezas móviles.
 - Para reducir el riesgo de caídas, tenga cuidado adicional al limpiar en escaleras.
 - Para reducir el riesgo de lesiones de espalda o caídas, no levante una aspiradora que pese mucho debido a que contiene líquido o residuos. Saque parte del contenido de la aspiradora o drénela parcialmente para hacer que sea lo suficientemente liviana como para poder levantarla cómodamente.
 - Para reducir el riesgo de lesiones corporales o daños a la aspiradora, utilice únicamente accesorios recomendados por Ridgid.
 - Cuando utilice la aspiradora como soplador :
 - Dirija la descarga de aire solamente hacia el área de trabajo.
 - No dirija el aire hacia las personas que estén presentes.
 - Mantenga alejados a los niños durante la operación de soplado.
 - No utilice el soplador para trabajos que no sean soplar suciedad y residuos.
 - No use la aspiradora como rociador.
 - Use protección ocular de seguridad.
 - Para reducir el riesgo de lesiones en los ojos, use protección ocular de seguridad. La utilización de cualquier aspiradora utilitaria o soplador utilitario puede hacer que se soplen objetos extraños hacia los ojos, lo cual puede causar daños graves en los ojos.
 - Esta aspiradora para mojado/seco tiene aislamiento doble, lo cual elimina la necesidad de un sistema independiente de conexión a tierra. Utilice únicamente piezas de repuesto idénticas. Lea las instrucciones de servicio de revisión de las aspiradoras para mojado/seco con aislamiento doble antes de realizar dicho servicio.

- Utilice únicamente cordones de extensión que tengan capacidad nominal para uso a la intemperie. Los cordones de extensión que estén en malas condiciones o tengan un tamaño de alambre demasiado pequeño pueden crear peligros de incendio y descargas eléctricas. Para reducir el riesgo de estos peligros, asegúrese de que el cordón esté en buenas condiciones y que el líquido no entre en contacto con la conexión. No utilice un cordón de extensión que tenga conductores con un diámetro menor al calibre 16 (AWG). Para reducir la pérdida de potencia, utilice un cordón de extensión de calibre 14 si la longitud es de 25 a 50 pies, y de calibre 12 si la longitud es de 50 pies o más.

⚠ PRECAUCIÓN:

- Para reducir el riesgo de daños a la audición, use protectores de oídos cuando utilice la aspiradora durante muchas horas seguidas o cuando la emplee en un área ruidosa.
- Para operaciones que generan polvo, use una máscara antipolvo.
- **Las descargas de estática son comunes** en áreas secas o cuando la humedad relativa del aire es baja. Si recoge residuos finos con la aspiradora, se puede depositar carga estática en la manguera o en la aspiradora. El mejor remedio para reducir la frecuencia de las descargas de estática en su casa o cuando use esta aspiradora es añadir humedad al aire con un humidificador.

Siga las siguientes advertencias que aparecen en la caja del motor de la aspiradora.



AISLAMIENTO DOBLE. NO SE REQUIERE CONEXION A TIERRA.

CUANDO HAGA SERVICIO DE REVISIÓN DE LA ASPIRADORA, UTILICE ÚNICAMENTE PIEZAS DE REPUESTO IDÉNTICAS.

⚠ ADVERTENCIA: Para su propia seguridad, lea y entienda el manual del operador. No tenga en marcha la aspiradora desatendida. No recoja cenizas calientes, carbón caliente, materiales tóxicos ni inflamables ni otros materiales peligrosos. No use la aspiradora alrededor de líquidos o vapores explosivos.

⚠ ADVERTENCIA: Para reducir el riesgo de sacudidas eléctricas, no exponga la aspiradora a la lluvia y almacénela en interiores.

GUARDE ESTE MANUAL

Introducción

Esta aspiradora para mojado/seco está diseñada solamente para uso doméstico. Se puede utilizar para recoger materiales mojados o secos y se puede usar como soplador.

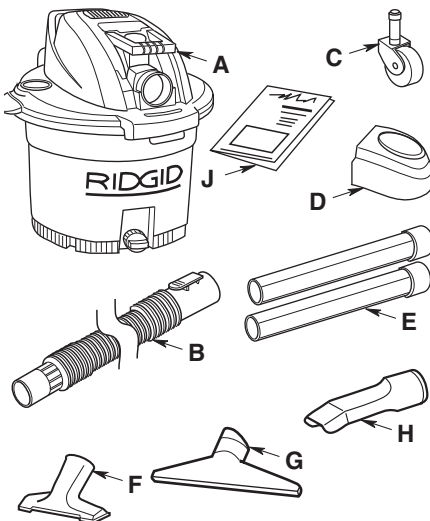
Lea este manual del operador para familiarizarse con las características del producto y para entender la utilización específica de su nueva aspiradora.

Desempaquetado y comprobación del contenido de la caja de cartón

Saque todo el contenido de la caja de cartón. Asegúrese de que no falte ningún artículo utilizando la lista del contenido de la caja. Llame al 1-800-474-3443 o comuníquese con nosotros por correo electrónico conectándose a info@ridgidvacs.com si alguna pieza está dañada o falta.

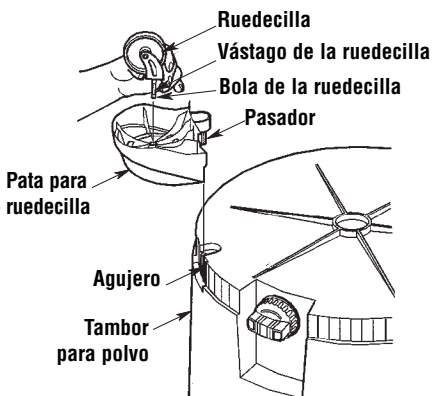
Lista del contenido de la caja de cartón

Clave	Descripción	Cant.
A	Aspiradora para mojado/seco	1
B	Manguera arrastrable con la aspiradora .	1
C	Ruedecilla	4
D	Pata para ruedecilla con área para guardar	4
E	Tubos extensores	2
F	Boquilla de uso general	1
G	Boquilla para mojado	1
H	Boquilla para auto	1
J	Manual del operador	1



Ensamblaje de las ruedecillas/patas para ruedecilla

1. Ponga el tambor para polvo en posición invertida sobre el piso.
2. Introduzca las patas para ruedecilla en la parte inferior del tambor, tal como se muestra (4 lugares).
3. Ejerza presión sobre la pata para ruedecilla hasta que la pata esté al ras con la parte inferior del tambor para polvo.
4. Introduzca el vástago de la ruedecilla en el receptáculo de la pata para ruedecilla, tal como se muestra (4 lugares).
5. Ejerza presión sobre la ruedecilla hasta que la bola del vástago de la ruedecilla se introduzca del todo en el receptáculo. Se podrá oír como la bola encaja en el receptáculo con un chasquido y la ruedecilla oscilará fácilmente cuando el posicionamiento sea correcto.
6. Ponga el tambor en posición vertical.



Ensamblaje del filtro de repuesto

1. Deslice cuidadosamente el filtro sobre la jaula del filtro, deslizándolo sobre el anillo central que cubre las 3 ranuras hasta que el filtro se detenga contra la tapa.
2. Coloque la tuerca del filtro y la placa del filtro en el espárrago roscado y apriete la tuerca hacia abajo. Apriétela solamente con los dedos.

NOTA: La palanca de la tuerca del filtro debe estar alejada de la placa, de la manera que se muestra en la ilustración.

IMPORTANTE: No apriete excesivamente la tuerca, ya que esto podría deformar o agrietar la jaula del filtro o el filtro.

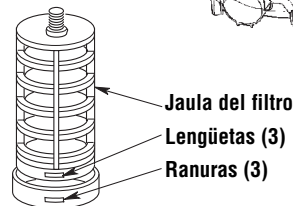
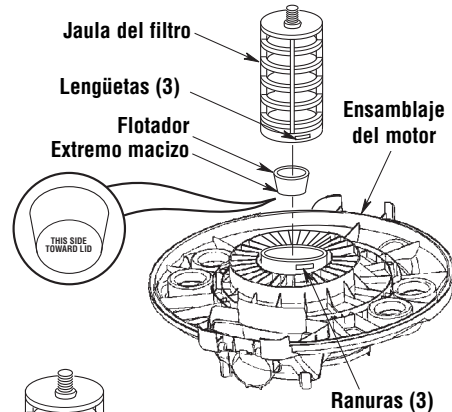
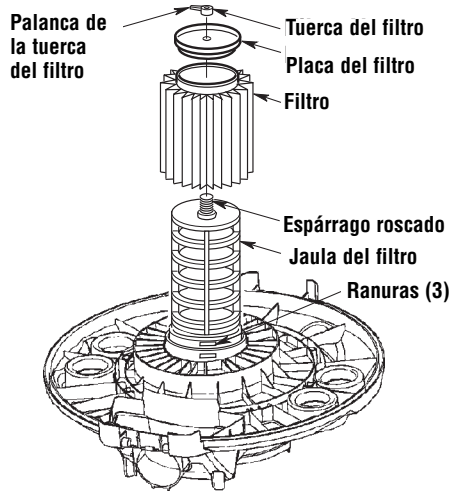
NOTA: Si fuera necesario reemplazar o quitar la jaula del filtro o el flotador, utilice un destornillador de hoja plana e introduzca la hoja cerca de una de las lengüetas entre la jaula del filtro y el anillo central de la tapa. Haga palanca en la lengüeta hacia fuera, hasta sacarla de la ranura. Incline la jaula y levántela alejándola de la tapa. Para colocar de nuevo la jaula del filtro, siga las instrucciones de ensamblaje que se dan a continuación:

⚠ ADVERTENCIA: Para su propia seguridad, nunca conecte el enchufe al tomacorriente de la fuente de energía hasta que haya completado todos los pasos de ensamblaje y haya leído y entendido las instrucciones de seguridad y utilización. No utilice la aspiradora si alguna de sus piezas está dañada o falta.

3. Coloque el flotador sobre la abertura que está en el centro de la tapa con las palabras "This Side Towards Lid" – Este lado hacia la tapa – orientadas hacia abajo sobre el agujero.

⚠ ADVERTENCIA: Para reducir el riesgo de lesiones personales o daños a la aspiradora, asegúrese de mantener las manos, los dedos o cualquier otro objeto extraño fuera de la abertura central cuando ensamble el flotador.

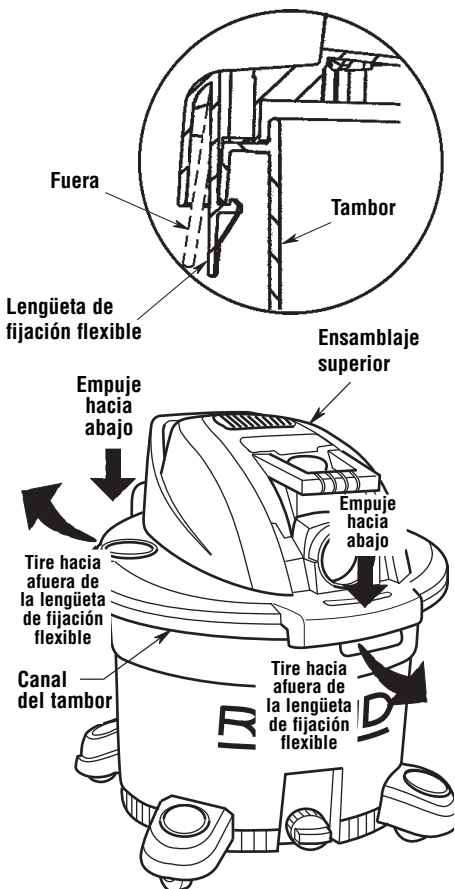
4. Alinee las lengüetas de la jaula del filtro con las ranuras del anillo central de la tapa.
5. Empuje sobre la jaula del filtro hasta que las lengüetas se acoplen a presión en las ranuras para lograr un encaje seguro.



Ensamblaje de la aspiradora para mojado/seco

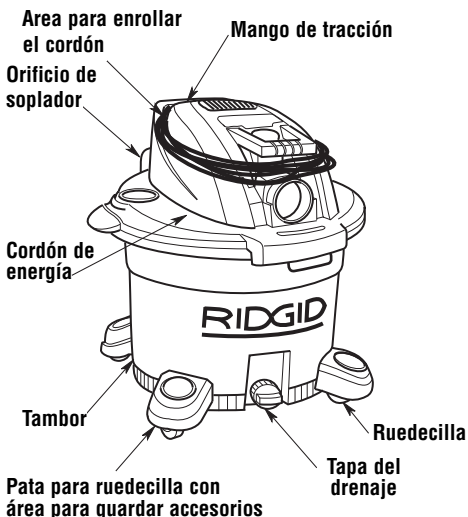
1. Alinee el orificio de aspiración que se encuentra en el ensamblaje superior con la tapa del drenaje ubicada en la parte delantera del tambor.
2. Coloque la tapa sobre el tambor con los pestillos del tambor perfectamente ajustados contra el canal del tambor.
3. Asegúrese de que la tapa cubra completamente la parte superior del tambor para que no se produzcan escapes.
4. Presione hacia abajo sobre las áreas de los pestillos del tambor, para hacer que las lengüetas de fijación flexibles se enganchen en el reborde del canal del tambor.
5. Asegúrese de que las lengüetas de fijación estén encajadas a presión en su sitio para evitar que la tapa se salga. (Vea el detalle.)

Una vez hecho esto, su aspiradora para mojado/seco nueva estará lista para utilizarse.



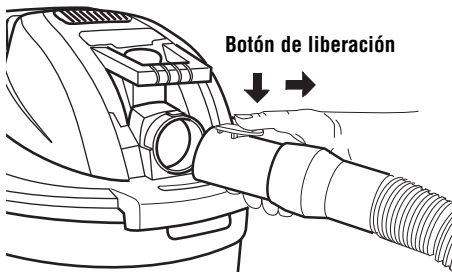
Almacenamiento del cordón

Simplemente enrolle el cordón de energía alrededor del cabezal del motor y acople a presión el conector que está en el enchufe a una vuelta del cordón.



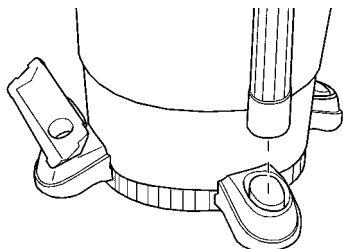
Introduzca la manguera

Introduzca el extremo que tiene el botón pulsador de la manguera "de arrastre con la aspiradora" en la entrada de la aspiradora. La manguera debe acoplarse a presión en su sitio. Para quitar la manguera de la aspiradora, oprima el botón de liberación que está en el ensamblaje de la manguera y tire de la manguera hasta sacarla de la entrada de la aspiradora, de la manera que se muestra en la ilustración.



Para guardar los accesorios

1. Deslice los tubos extensores y los accesorios sobre los anillos de las patas para ruedecilla.
2. Para quitar los tubos y los accesorios, gírelos ligeramente y tire de ellos hacia arriba.
3. Los accesorios pueden almacenarse también en los anillos provistos en la tapa.



Funcionamiento

⚠ **ADVERTENCIA:** Para reducir el riesgo de incendio, explosión o daños a la aspiradora:

- No deje la aspiradora en marcha mientras esté desatendida. Usted podría no notar señales importantes que indiquen un funcionamiento anormal, tal como pérdida de succión, residuos o líquido que salen por el escape o ruidos anormales del motor. Deje de usar la aspiradora inmediatamente si observa estas señales.
- No deje la aspiradora enchufada cuando no se esté utilizando.
- No continúe usando la aspiradora cuando el flotador haya cortado la succión.
- No utilice la aspiradora en áreas con gases inflamables, vapores inflamables o polvo explosivo en el aire. Las chispas generadas dentro del motor pueden incendiar los materiales inflamables suspendidos en el aire. Los gases inflamables y los vapores inflamables incluyen: líquido encendedor, limpiadores tipo solvente, pinturas a base de aceite, gasolina, alcohol o rociadores tipo aerosol. Los polvos inflamables incluyen: polvo de carbón, polvo de magnesio, polvo de aluminio, polvo de grano de cereal o pólvora.
- No recoja con la aspiradora polvos explosivos, líquidos inflamables ni cenizas calientes.
- No use la aspiradora como un rociador.

⚠ **ADVERTENCIA:** Para reducir el riesgo de descargas eléctricas o lesiones:

- No exponga la aspiradora a la lluvia ni deje que entre líquido en el compartimiento del motor. Almacene la aspiradora en un lugar interior.
- No maneje el enchufe, el interruptor o la aspiradora con las manos mojadas.
- No haga servicio de ajustes y reparaciones de la aspiradora mientras esté enchufada. Si la aspiradora no está funcionando como debería, le faltan piezas, se ha caído, está dañada, se ha dejado a la intemperie o se ha caído al agua, devuélvala a un centro de servicio independiente o llame a servicio al cliente.
- Cuando utilice un cordón de extensión, utilice únicamente cordones con capacidad nominal para uso a la intemperie que estén en buenas condiciones. No deje que la conexión entre en contacto con líquido.
- No recoja con la aspiradora materiales tóxicos, para reducir el riesgo de inhalar los vapores o el polvo.

Para reducir el riesgo de sacudidas eléctricas, este aparato electrodoméstico tiene un enchufe polarizado (una hoja es más ancha que la otra). Este enchufe entrará en un tomacorriente polarizado solamente de una manera. Si el enchufe no entra por completo en el tomacorriente, déle la vuelta. Si sigue sin entrar, póngase en contacto con un electricista competente para instalar el tomacorriente adecuado. No haga ningún tipo de cambio en el enchufe.

Después de enchufar el cordón de energía en el tomacorriente, encienda la unidad empujando el interruptor de la posición "O" a la posición "I". Los símbolos utilizados en el accionador del interruptor son los símbolos internacionales de "encendido y apagado". "O" es el símbolo de "APAGADO" y "I" es el símbolo de "ENCENDIDO".

○ = APAGADO | I = ENCENDIDO

Funcionamiento (continuación)

Familiarícese con los accesorios que se incluyen con la aspiradora. Cada accesorio puede usarse de diversas maneras para aspirar y soplar residuos. A continuación hay una lista de los accesorios y de sus usos.

Boquilla de uso general: Boquilla que se usa en la mayoría de las aplicaciones de aspiración.

Boquilla para auto: Boquilla para recoger materiales secos en interiores de auto y en la mayoría de limpiezas de tapicería.

Boquilla para mojado: Se utiliza para recoger materiales mojados en superficies lisas con el fin de recoger líquidos y secar la superficie en una sola pasada.

Tubos extensores: Estos tubos pueden conectarse entre sí y proporcionan longitud adicional para tener más alcance.

Manguera: Proporciona transferencia de capacidad de aspiración o soplado al lugar de trabajo. Proporciona los medios para acoplar los tubos extensores y las boquillas.

⚠ ADVERTENCIA: Para reducir el riesgo de incendio o sacudidas eléctricas, no deje desatendida la aspiradora mientras esté en marcha.

Recogida de materiales secos con la aspiradora

1. El filtro debe estar siempre en posición correcta, en todo momento, para evitar fugas y posibles daños a la aspiradora.
2. Al utilizar la aspiradora para recoger polvo muy fino, será necesario que usted vacíe el tambor y limpie el filtro a intervalos más frecuentes para mantener un rendimiento óptimo.

NOTA: Se necesita un filtro seco para recoger material seco. Si utiliza la aspiradora para recoger polvo cuando el filtro está mojado, éste se atascará rápidamente y será muy difícil limpiarlo.

3. Si el filtro está mojado pero necesita usar la aspiradora para recoger material seco, puede secar el filtro rápidamente haciendo funcionar la aspiradora sin tener la manguera colocada durante unos 10 minutos. El aire limpio que penetrará rápidamente en la aspiradora ayudará a secar el filtro.

Recogida de líquidos con la aspiradora

1. Al recoger pequeñas cantidades de líquido se podrá dejar puesto el filtro.
2. Al recoger grandes cantidades de líquido recomendamos quitar el filtro. Si no se quita el filtro, éste se saturará y podrá aparecer niebla en el escape.
3. Cuando el líquido que se encuentre en el tambor alcance un nivel predeterminado, el mecanismo del flotador subirá automáticamente para cortar el flujo de aire. Sabrá que el flotador ha subido porque el flujo de aire de la aspiradora cesará y subirá el tono del ruido del motor debido a que se producirá un aumento de la velocidad del mismo. Cuando esto suceda, apague la aspiradora, desenchufe el cordón de energía y vacíe el tambor.
4. Después de usar la aspiradora para recoger líquidos, se debe secar el filtro para evitar posible moho y daños al filtro.

IMPORTANTE: Para reducir el riesgo de daños a la aspiradora, no tenga en marcha el motor con el flotador en la posición elevada.

Vaciado del tambor

⚠ ADVERTENCIA: Para reducir el riesgo de lesiones debidas a un arranque accidental, desenchufe el cordón de energía antes de vaciar el tambor.

1. La aspiradora viene equipada con un drenaje para vaciarla fácilmente de líquidos. Simplemente desenchufe la tapa del drenaje y levante ligeramente el lado opuesto para vaciar el tambor.
2. Otra opción es quitar la tapa. Tire hacia afuera de los pestillos flexibles que están en cada lado de la tapa para soltarla del tambor.
3. Mientras sujeta los pestillos hacia afuera, levante el ensamblaje superior alejándolo del tambor.
4. Coloque el ensamblaje superior en posición invertida sobre un área limpia mientras vacía el tambor o cambia el filtro.
5. Vierta el contenido del tambor en el recipiente adecuado de eliminación de residuos.

⚠ ADVERTENCIA: Para reducir el riesgo de que se produzcan lesiones en la espalda o caídas, no levante la aspiradora si pesa demasiado debido a que contiene líquido o residuos. Saque o haga salir una cantidad suficiente del contenido para hacer que la aspiradora sea suficientemente liviana como para poder levantarla cómodamente.

Mantenimiento del cordón

Cuando se haya completado la limpieza con la aspiradora, desenchufe el cordón y enróllelo alrededor de la cubierta del motor.

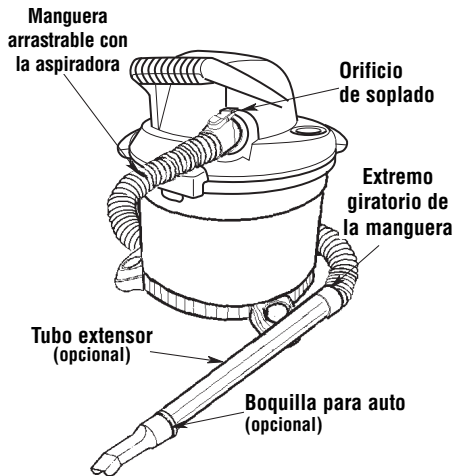
Transporte de la aspiradora para mojado/seco

En caso de que sea necesario levantar la aspiradora para trasladarla, los mangos ubicados en los lados del tambor para polvo se utilizan para levantar la aspiradora. Para maniobrar la aspiradora, debe utilizarse el mango de tracción que está encima de la entrada.

Dispositivo de soplado

La aspiradora cuenta con "soplado completo". Tiene capacidad para soplar serrín y otros residuos. Siga los pasos que se indican a continuación para utilizar la aspiradora como soplador.

1. Localice el orificio de soplado de la aspiradora para mojado/seco.
2. Introduzca el extremo de arrastre de la manguera en el orificio de soplado de la aspiradora.
3. (Opcional) Coloque el tubo extensor en el extremo giratorio de la manguera y luego coloque una boquilla para auto en el tubo extensor.
4. Encienda la aspiradora y estará listo para usarla como soplador.



⚠ ADVERTENCIA: Use siempre protectores oculares de seguridad que cumplan con la norma ANSI Z87.1 (o en Canadá, con la norma CSA Z94.3) antes de utilizar la aspiradora como soplador.

⚠ ADVERTENCIA: Para reducir el riesgo de lesiones a las personas que estén presentes, manténgalas alejadas de los residuos soplados.

⚠ ADVERTENCIA: Use una máscara antipolvo si el soplado genera polvo que podría ser inhalado.

⚠ PRECAUCIÓN: Para reducir el riesgo de daños a la audición, use protectores de oídos cuando utilice la aspiradora/soplador durante muchas horas seguidas o cuando la utilice en un área ruidosa.

Mantenimiento

Filtro

⚠ ADVERTENCIA: Para reducir el riesgo de lesiones debidas a un arranque accidental, desenchufe el cordón de energía antes de cambiar o limpiar el filtro.

NOTA: Este filtro está hecho de papel de alta calidad diseñado para detener partículas de polvo muy pequeñas. El filtro se puede usar para recoger material seco o pequeñas cantidades de líquido. Maneje el filtro cuidadosamente al quitarlo para limpiarlo o al instalarlo. Es posible que se produzcan arrugas en los pliegues del filtro, pero dichas arrugas no afectarán el funcionamiento del filtro.

Limpieza del filtro

El filtro se debe limpiar a menudo para mantener un rendimiento óptimo de la aspiradora.

Asegúrese de secar el filtro antes de guardar la aspiradora o de recoger residuos secos.

IMPORTANTE: Después de limpiar el filtro, compruebe si éste tiene desgarraduras o agujeros pequeños. No use un filtro que tenga agujeros o desgarraduras. Incluso un agujero pequeño puede hacer que se salga mucho polvo de la aspiradora. Cámbielo inmediatamente.

Remoción del filtro

Para quitar el filtro con objeto de limpiarlo o cambiarlo, desenrosque la tuerca del filtro de la jaula del filtro, y levante el filtro y la placa del filtro.

Limpieza de un filtro seco

⚠ ADVERTENCIA: No utilice la aspiradora si se le han quitado la jaula del filtro y el flotador. El flotador evita que entre agua en el impulsor y dañe el motor. La jaula impide que los dedos toquen el impulsor cuando éste está en movimiento.

IMPORTANTE: Para evitar daños a la rueda del soplador y al motor, vuelva a instalar siempre el filtro antes de usar la aspiradora para recoger material seco.

1. Se puede lograr una extracción parcial de residuos sin quitar el filtro de la aspiradora. Golpee la parte superior de la tapa con la mano mientras la aspiradora está apagada.
2. Para obtener óptimos resultados de limpieza debido a la acumulación de polvo, limpie el filtro en un área abierta. La limpieza SE DEBE realizar al aire libre y no en el interior de la vivienda.
3. Después de quitar el filtro de la aspiradora, saque los residuos secos golpeando suavemente el filtro contra la pared interior del tambor para polvo. Los residuos se soltarán y caerán.
4. Para una limpieza a fondo del filtro seco con polvo fino (sin residuos), haga pasar agua a través del filtro tal como se describe bajo "Limpieza de un filtro mojado".

Limpieza de un filtro mojado

Después de quitar el filtro, haga pasar agua a través de él usando una manguera o desde una espita. Tenga cuidado de que la presión del agua procedente de la manguera no sea tan fuerte como para dañar el filtro. Recuerde: Para secar rápidamente un filtro, reinstale el filtro en la aspiradora y deje que la unidad funcione durante aproximadamente 10 minutos. El aire limpio que atravesará el filtro hará que éste se seque.

Instalación

Consulte la página 19, "Ensamblaje del filtro de repuesto".

Deje que el filtro se seque antes de volver a instalarlo y de guardar la aspiradora.

Limpieza y desinfección de la aspiradora para mojado/seco

Para mantener el mejor aspecto posible de la aspiradora para mojado/seco, limpie su exterior con un paño humedecido con agua templada y un jabón suave.

Para limpiar el tambor:

1. Vacíe de residuos el tambor.
2. Lave a fondo el tambor con agua templada y un jabón suave.
3. Limpie el tambor con un paño seco.

Antes de un almacenamiento prolongado o según sea necesario (por ejemplo, si se recogen aguas residuales), se debe desinfectar el tambor.

Para desinfectar el tambor:

1. Eche 1 galón de agua y 1 cucharadita de blanqueador de cloro en el tambor.
2. Deje que la solución repose durante 20 minutos y agítela cuidadosamente cada pocos minutos, asegurándose de mojar todas las superficies interiores del tambor.
3. Vacíe el tambor después de 20 minutos. Enjuáguelo con agua hasta que el olor a blanqueador desaparezca. Deje que el tambor se seque completamente antes de sellar el motor sobre el tambor.

Almacenamiento

Antes de almacenar la aspiradora, se debe vaciar y limpiar el tambor para polvo. El cordón se debe enrollar alrededor de la unidad y la manguera se debe almacenar de la manera descrita en este manual. Los accesorios se deben mantener en la misma área que la aspiradora para que estén al alcance de la mano cuando se necesiten. La aspiradora se debe almacenar en interiores.

Ruedecillas

Si las ruedecillas hacen ruido, puede poner una gota de aceite en el eje del rodillo para que hagan menos ruido.

⚠ ADVERTENCIA: Para garantizar la SEGURIDAD y CONFIABILIDAD del producto, las reparaciones y los ajustes deben realizarlos Centros de Servicio autorizados, usando siempre piezas de repuesto RIDGID.

Piezas de repuesto


Aspiradora para mojado/seco de 12 galones EE.UU. Números de modelo WD12500

Las piezas RIDGID se encuentran disponibles en línea conectándose a www.ridgidparts.com

Pida siempre por número de pieza —no por número de clave

▲ ADVERTENCIA

SERVICIO DE AJUSTES Y REPARACIONES DE UNA ASPIRADORA PARA MOJADO/SECO CON AISLAMIENTO DOBLE

En una aspiradora para mojado/seco con aislamiento doble se proporcionan dos sistemas de aislamiento en vez de conexión a tierra. No se proporciona ningún medio de conexión a tierra en un aparato electrodoméstico con aislamiento doble, ni se debe añadir a éste ningún medio de conexión a tierra. El servicio de ajustes y reparaciones de una aspiradora para mojado/seco con aislamiento doble requiere extremado cuidado y conocimiento del sistema, y debe ser realizado únicamente por personal de servicio competente. Las piezas de repuesto para la aspiradora para mojado/seco con aislamiento doble deben ser idénticas a las piezas que reemplazan. La aspiradora para mojado/seco con aislamiento doble está marcada con las palabras "DOUBLE INSULATED" (con aislamiento doble) y puede que el símbolo  (un cuadrado dentro de un cuadrado) también esté marcado en los aparatos.

Para reducir el riesgo de lesiones por causa de descargas eléctricas, desenchufe el cordón de energía antes de hacer servicio de ajustes y reparaciones a las piezas eléctricas de la aspiradora para mojado/seco.

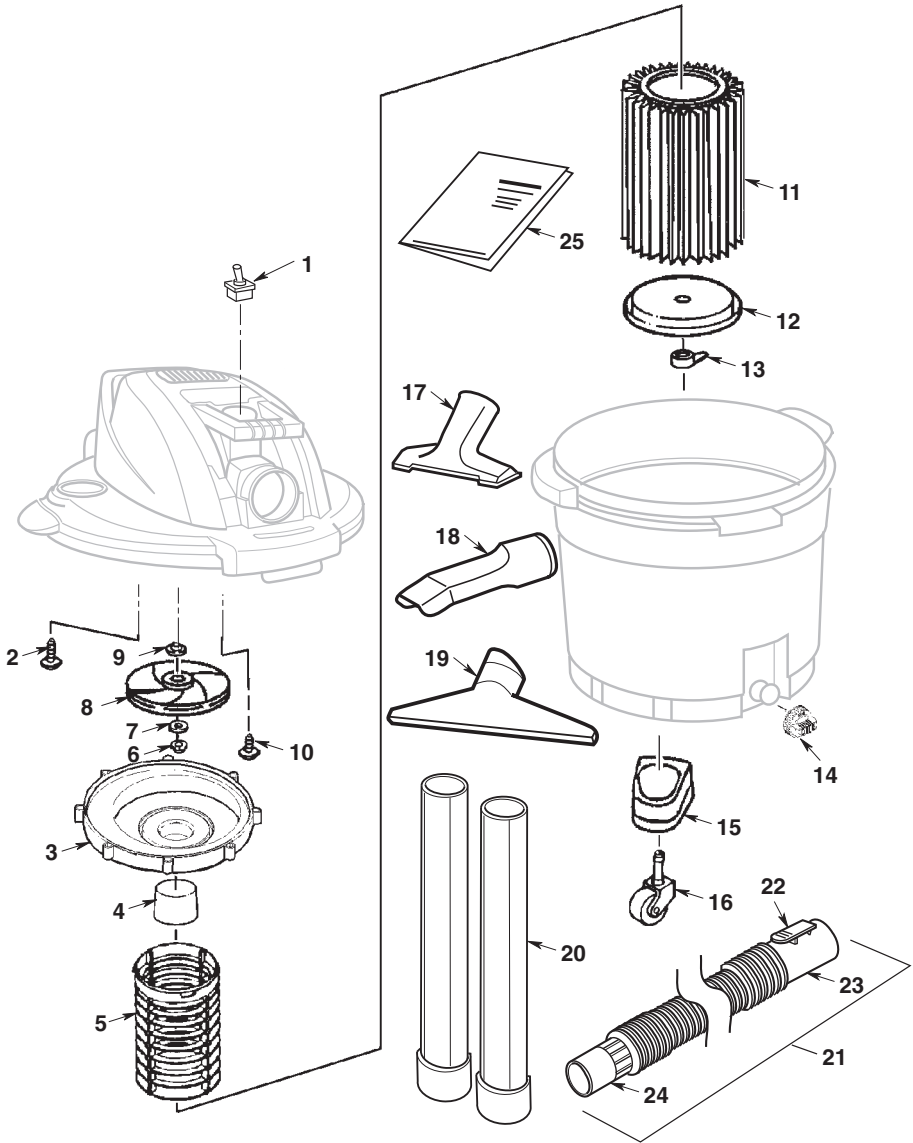
No. de clave	12 galones No. de pieza	Descripción
1	813213	Interruptor de palanca
2	820563-4	* Tornillo de cabeza troncocónica serrada tipo "AB" 10 x 3/4
3	829692	Ensamblaje del colector
4	509488	Flotador
5	823201-1	Jaula del filtro
6	826817	Tuerca hexagonal con pestaña 5/16-18
7	15534-1	Arandela
8	818413-2	Rueda del soplador
9	818961	Separador
10	820563-5	* Tornillo de cabeza troncocónica serrada tipo "AB" 10 x 1-1/4
11	VF4000	† Filtro
12	73317	Placa del filtro
13	73316	Tuerca del filtro
14	73185	Tapa del drenaje
15	828833	Pata para ruedecilla con área de almacenamiento
16	331605	Ruedecilla
17	VT2509	† Boquilla utilitaria
18	VT2503	† Boquilla para auto
19	VT2510	† Boquilla para mojado
20	VT2508	Tubos extensores
21	826356-1	† Ensamblaje de la manguera (incluye los Nos. de clave 22 a 24)
22	826355-1	Lengüeta de resorte
23	826354	Extremo de manguera con enclavamiento
24	815096	Adaptador de manguera
25	SP6663	Manual del operador

* Artículo de herraje estándar. Puede comprarse localmente.

† Estas piezas de repuesto se encuentran disponibles en el establecimiento donde compró la aspiradora.

Aspiradora para mojado/seco de 12 galones EE.UU. Números de modelo WD12500

Las piezas RIDGID se encuentran disponibles en línea conectándose a www.ridgidparts.com



RIDGID®



- **Qué está cubierto**

Se garantiza que las aspiradoras para mojado/seco RIDGID® están libres de defectos de fabricación y de materiales.

- **Cuánto dura la cobertura**

Esta garantía dura toda la vida de las aspiradoras para mojado/seco RIDGID®.

- **Cómo puede obtener servicio**

Para obtener el beneficio de esta garantía, sírvase llamar al 1-800-4-RIDGID (1-800-474-3443).

- **Qué haremos para corregir los problemas**

Las aspiradoras para mojado/seco garantizadas serán reparadas o reemplazadas, a opción de Ridge Tool Company, y serán devueltas sin cargo; o si después de tres intentos de reparar o reemplazar la aspiradora para mojado/seco durante el período de garantía ésta aún presenta defectos, usted puede optar por recibir un reembolso completo de su precio de compra.

- **Qué no está cubierto**

Las averías debidas a uso incorrecto, abuso o desgaste por el uso normal no están cubiertas por esta garantía. **RIDGE TOOL NO SERÁ RESPONSABLE DE NINGÚN DAÑO FORTUITO NI EMERGENTE.**

- **Cómo se relacionan las leyes locales con la garantía**

Algunos estados no permiten la exclusión o limitación de los daños fortuitos o emergentes, por lo que es posible que la limitación o exclusión que antecede no tenga aplicación en su caso. Esta garantía le confiere a usted derechos específicos y es posible que también tenga otros derechos, que varían de un estado a otro, una provincia a otra o un país a otro.

- **Ninguna otra garantía expresa tiene aplicación**

Esta GARANTÍA COMPLETA DE POR VIDA es la garantía única y exclusiva de las aspiradoras para mojado/seco RIDGID®. Ningún empleado, agente, distribuidor u otra persona está autorizado a alterar esta garantía ni a dar ninguna otra garantía en nombre de Ridge Tool Company.

No. de catálogo WD1250

No. de modelo WD12500

Número de serie _____

Los números de modelo y de serie se pueden encontrar al lado del orificio de soplado. Debe anotar tanto el número de modelo como el de serie en un lugar seguro para uso futuro.

**¿PREGUNTAS O COMENTARIOS? LLAME AL
1-800-4-RIDGID (1-800-474-3443)**

www.ridgidvac.com

Por favor, tenga a mano su número de modelo y número de serie cuando llame.



EMERSON™
Professional Tools

Emerson Tool Company
Una División de
Emerson Electric Co.

© 2008 Emerson

No. de pieza SP6663

No. de formulario SP6663-2

Impreso en México 04/08