

5625

PROPANE POWERED RIDE-ON SCRAPER INSTRUCTION MANUAL



Caution: Read Manual Before Operating Machine

Table of Contents

Table of Contents	3-4
Features and Specifications	5
Safety	6-9
General Rules for Safe Operation	6-7
Characteristics of a Defensive Operator	7
Hydraulic Safety Tips	7
Safety Switch	8
Battery	8
Machine Operation	10-20
Loading Unloading	10
Job Site Movement	11
Wheel Size	12
Start Up Procedure	13
Throttle Control	13
Hydraulic Levers	13
Seat Switch	13
Shut Down Mode	14
Changing the Propane Tank	15
Carbon Monoxide Detector	16
Cutting Head & Blades	16
Blade Setting	17-19
Ditching	20
Blade Sharpening	20
Blades	21-23
Machine Maintenance	24-28
Slide Plate	24
Hydraulic Oil Change Out	25
Hydraulic Cylinder Change Out	25
Engine Change Out	25
Hose Change Out	25
Foot Peg Replacement	25
Pump Change Out	26
Wheel Changing	26
Changing Hydraulic Fluid Filter	27
Caster Maintenance	27
Debris Deflector Mounting Instructions	28
Troubleshooting Guide	29-30
Complete Parts List	31-32
Parts List and Diagrams	33-50
External Parts	33-34
Backup Beeper Assembly	35
Handle Switch	35
Instruction Tube Parts	35
Fire Extinguisher Parts	35
Gear Pump Parts	36
Wheel Parts	37
Control Lever Parts	38
Single Spool & Hose Parts	39
Double Spool & Hose Parts	40
Filter & Tank Parts	41
Cylinder Parts	42
Hose Guard Parts	42
Slide Plate	43
Caster Parts	43
Foot Peg Parts	43
Propane Tank Parts	44
Carbon Monoxide Monitor	44
Engine Parts	45
Battery	46
Weights	46
Labels	47

Table of Contents

Accessories 48-49
Wiring Diagram 50
Material Safety Data Sheet..... 51-61
Guarantee..... 63

Features and Specifications



FEATURES

Non-marking Tires - Large non-marking tires, work on all types of application and debris build-up.

Adjustable Foot Pegs - Adjustable foot pegs provide optimal comfort and ergonomics.

Fork Lift Cups - Easily accessible fork lift cups for easy loading/unloading.

Debris Deflector - Redirects debris away from the operator.

Control Levers - Forward, reverse, turn and break with easy move levers.

Cutting Head Cylinder Lift - Change the angle of the cutting head with the control handle next to the operator seat.

Adjustable Slide Plate - Affords maximum versatility in blade settings.

Quick-change Swivel Head - Assures continuous blade contact with the floor.

Product Specifications

Width	Length	Height	Empty Weight	Weight	Speed	RPM	Voltage	HP
26" (66 cm)	52" (132 cm)	49" (124.5 cm)	1466 lb (665 kg)	1816 lb (823.7 kg)	Up to 200 feet per minute	2950	12 Volt	25

Safety

GENERAL RULES FOR SAFE OPERATION

READ AND SAVE ALL INSTRUCTIONS FOR FUTURE USE. Before use, be sure everyone operating this equipment reads and understands this manual as well as any labels packaged with or attached to the machine and components and view the instructional video. Extra copies of the manual and video are available.

- 1. KNOW YOUR EQUIPMENT:** Read this manual and view instructional video carefully to learn equipment applications and limitations as well as potential hazards associated with this type of equipment.
- 2. DO NOT “SIDE HILL” MACHINE.**
- 3. AVOID DANGEROUS ENVIRONMENTS:** Do not use in rain, damp or wet locations, or in the presence of explosive atmospheres (gaseous fumes, dust or flammable materials). Remove materials or debris that may be ignited by sparks.
- 4. KEEP WORK AREA CLEAN AND WELL LIT:** Cluttered, dark work areas invite accidents.
- 5. DRESS PROPERLY:** Do not wear loose clothing. These may be caught in moving parts. When working outdoors, wear rubber gloves and insulated non-skid footwear. Keep hands and gloves away from moving parts.
- 6. USE SAFETY EQUIPMENT:** Everyone in the work area should wear safety goggles or glasses complying with current safety standards. Wear hearing protection during extended use and a dust mask for dusty operations. Hard hats, face shields, safety shoes, etc. should be worn when specified or necessary.
- 7. KEEP BYSTANDERS AWAY:** Children and other bystanders should be kept at a safe distance from the work area to avoid distracting the operator and contacting the tool or extension cord. Operator should be aware of who is around them and their proximity.
- 8. PROTECT OTHERS IN THE WORK AREA:** Provide barriers or shields as needed to protect others from debris and machine operation.
- 9. USE PROPER ACCESSORIES:** Using accessories that are not recommended may be hazardous. Be sure accessories are properly installed and maintained. Do not delete a guard or other safety device when installing an accessory or attachment.
- 10. CHECK FOR DAMAGED PARTS:** Inspect guards and other parts before use. Check for misalignment, binding of moving parts, improper mounting, broken parts and any other conditions that may affect operation. If abnormal noise or vibration occurs, turn the tool off immediately and have the problem corrected before further use. Do not use damaged equipment. Tag damaged tools “DO NOT USE” until repaired. A guard or other damaged parts should be properly repaired or replaced. For all repairs, insist on only identical National replacement parts.
- 11. REMOVE ALL ADJUSTING KEYS AND WRENCHES:** Make a habit of checking that the adjusting keys, wrenches, etc. are removed from the tool before turning it on.
- 12. GUARD AGAINST ELECTRIC SHOCK:** Prevent body contact with grounded surfaces such as pipes, radiators, ranges and refrigerators. When scoring or making cuts, always check the work area for hidden wires or pipes.
- 13. AVOID ACCIDENTAL STARTING:** Do not use if the ignition switch does not turn the machine on and off.
- 14. DO NOT FORCE EQUIPMENT:** Equipment will perform best at the rate for which it was designed. Excessive force only causes operator fatigue, increased wear and reduced control.
- 15. KEEP HANDS AWAY FROM ALL CUTTING EDGES AND MOVING PARTS.**
- 16. WEAR GLOVES WHEN CHANGING BLADES.**
- 17. DO NOT OVERREACH. MAINTAIN CONTROL:** Keep proper footing and balance at all times. Maintain a firm grip.
- 18. STAY ALERT:** Watch what you are doing, and use common sense. Do not use when you are tired, distracted or under the influence of drugs, alcohol or any medication causing decreased control.
- 19. STARTING MACHINE:** Use On/Off keyed ignition switch.
- 20. MAINTAIN EQUIPMENT CAREFULLY:** Keep handles dry, clean and free from oil and grease. Keep cutting edges sharp and clean. Follow instructions for lubricating and changing accessories.
- 21. STORE IDLE EQUIPMENT:** When not in use, store in a dry, secured place. Keep away from children. Remove blades when storing.
- 22. MAINTAIN LABELS AND NAME PLATE:** These carry important information. If unreadable or missing, contact National for a free replacement.
- 23. MACHINE IS HEAVY DO NOT DROP:** Counter weights are heavy. Take caution when removing or reassembling. Take caution when moving or transporting.
- 24. WEAR (CO) CARBON MONOXIDE LAPEL MONITOR** when operating scraper.

CHARACTERISTICS OF A DEFENSIVE OPERATOR

A GOOD OPERATOR IS A “DEFENSIVE” OPERATOR!

Qualities Include:

Education: Educates themselves about the machine and the environment.

Alert: Stays alert. Do not let guard down.

Skills: Only performs duties he/she are qualified to do. Always tries to improve.

Judgment: Plays it safe. Doesn't take chances.

Common Sense: Does the right thing without having to be told. Applies knowledge.

Recognizes the Hazards: Maintains alertness. Anticipates danger.

Understands the Defense: Knows that safety isn't an accident...it's a thinking person's choice.

Acts Correctly: Does not cave in to peer pressure. Performs correctly when supervised or not.

HYDRAULIC SAFETY TIPS

MAINTAINING A SAFE WORK ENVIRONMENT

Establishing a safe working environment in and around your hydraulic equipment is just common sense. The easiest and most effective way to avoid problems is to make sure associates understand their equipment, know how to operate it safely and recognize the danger it represents if handled carelessly. A few things you must be aware of include:

1. **PRESSURE:** Hydraulic fluid under pressure is dangerous and can cause serious injury.
2. **FLAMMABILITY:** When ignited, some hydraulic fluids can explode and/or cause fires.
3. **MECHANICAL:** Hydraulic fluid creates movement, which causes parts of your equipment to move or rotate. Always be aware of what you are doing.
4. **MOISTURE:** Use caution when operating in wet or high moisture conditions. Make sure all electrical fittings, switches, cords plus strain reliefs are in good condition. Always unplug when not in use and when doing any service work.
5. **ELECTRICAL:** Faulty wiring can also be an electrical hazard. A regular preventive maintenance program should always include a wiring check. Unplug batteries and/or charger before servicing.
6. **TEMPERATURE:** Because this machine operates at a relatively low pressure, overheating is not common. If surface of tank becomes too hot to touch by hand (above 130°F, 55°C), shut off machine and allow to cool off.

PRESSURE

Our system runs at or below 2,000 psi. Never look for a leak when unit is under pressure. Using your hand could cause serious injury. A few common ways to encounter hydraulic fluid under pressure include:

1. **PINHOLE:** Fluid under pressure can cause serious injury. It can be almost invisible escaping from a pinhole, and it can pierce the skin into the body. Do not touch a pressurized hydraulic hose assembly with any part of your body. If fluid punctures the skin, even if no pain is felt, a serious emergency exists. Obtain medical assistance immediately. Failure to do so can result in loss of the injured part or death.
2. **LEAK:** Keep fittings and hoses tight. Only check and service when not under pressure. Leaking hydraulic fluid is not only unsightly, it's hazardous. In addition to making workplace floors slippery and dangerous, leaks also contaminate the environment. Before cleaning an oil spill, always check EPA, state and local regulations.
3. **BURST:** Whether due to improper selection or damage, a ruptured hose can cause injury. If it bursts, a worker can be burned, cut, injected or may slip and fall.
4. **COUPLING-BLOW OFF:** If the assembly is not properly made or installed, the coupling could come off and hit or spray a worker, possibly resulting in serious injury. Never operate machine without guards.

Safety

FLAMMABILITY

With the exception of those comprised primarily of water, all hydraulic fluid is flammable when exposed to the proper conditions (including many "fire-resistant" hydraulic fluids).

Leaking pressurized hydraulic fluids may develop a mist or fine spray that can flash or explode upon contact with a cause of ignition. These explosions can be very severe and could result in serious injury or death.

Precautions should be taken to eliminate all ignition sources from contact with escaping fluids, sprays or mists resulting from hydraulic failures. Sources of ignition could be electrical discharges (sparks), open flames, extremely high temperatures, sparks caused by metal-to-metal contact, etc.



CAUTION: NEVER USE YOUR HANDS TO CHECK FOR LEAKS OVER HOSE OR HYDRAULIC CONNECTIONS. USE A PIECE OF CARDBOARD TO LOCATE A PRESSURIZED LEAK. FOR LOW PRESSURE LEAKS (DRIPS), USE A RAG TO CLEAN THE AREA AND DETERMINE WHERE THE LEAK ORIGINATES.

HYDRAULIC FLUID

Only use Texaco Rando 46 Hydraulic Oil or Compatible Fluid like IS032. Non-compatible fluids could cause damage to unit or serious injury.

USE CARBON MONOXIDE DETECTOR WHEN OPERATING MACHINE

Included with the 5625 are a 75007 lapel CO Monitor and a 75008 Clip. It is recommended that the operator and anyone in the working vicinity wear the detector. Failure to do so could cause bodily injury and/or death. The use of detectors helps to verify if work area is safe from Carbon Monoxide poisoning. The detector has an adhesive strip on the back for mounting or can be worn with the included clip. It can detect as little as 100ppm (part per million) carbon monoxide gas at approximate relative humidity range of 33% to 50%. If the humidity is very high it can detect concentrations as low as 20ppm. The presence of CO will change the impregnated silica color change from red to red/brown and then to gray/black as the concentration levels increase. Once the detector is exposed to fresh air, it will return back to red. Shelf life in an unopened pack is approximately two to three years (expiration date is visible through unopened package on the back). Once opened it should be replaced approximately every ninety days. Write date opened in provided area on the front of the detector. Read further user directions on the back of the detector.

SAFETY SWITCH

The 5625 Propane Ride-On has been equipped with a safety switch under the seat, which requires the operator to be seated before the 5625 can be operated. Do not attempt the start-up procedure without being seated on the machine.

BATTERY

- Contact with electrolytic acid can cause skin irritation and damage clothing. Wear a protective apron, gloves and goggles when working with battery. Have plenty of fresh water and soap nearby in case battery acid contacts your skin, clothing, or eyes.
- Remove personal metal items such as bracelets, rings, necklaces, and watches when working with battery. A battery can produce a short circuit current sufficient enough to weld metal objects, causing severe burns.
- Never smoke or allow a spark or flame in the vicinity of the battery. Caution must be taken to reduce the risk of dropping metal tools onto the battery. A spark or short circuit may result in an explosion.

FIRST AID

Immediately flush eyes with cold, fresh water for a minimum of 10 minutes if electrolytic acid comes in contact with eyes. Seek professional medical attention.

VENTILATION

Blocking louvers or air flow perforations of convection or fan cooled battery chargers and/or machine will result in damage to the unit. When installing the unit leave space for air to flow freely through the intake and discharge louvers and/or perforations.

GASES, DUST, STEAM, SMOKE

Do not weld, flame cut or perform grinding work on the 5625 Propane Ride-On without written authorization from the manufacturer. The danger of fire or explosion exists when work of this nature is done. Begin maintenance work only when the machine is in Shut Down Mode (turned off).

SAFETY PRECAUTIONS (OPERATOR/PERSONNEL TRAINING)

Operating and maintenance personnel must verify availability of appropriate fire protection equipment, be properly trained in the use of the equipment and know how to contact the Fire Department or Emergency Medical Service if needed.

SAFETY PRECAUTIONS

- Only qualified, trained personnel should operate this unit.
- Loose or damaged parts should be replaced immediately. Failure to do so could cause equipment damage or serious injury.
- Switches and levers should be inspected.
- Turn ignition key to Off position prior to performing maintenance on scraper.
- Motor and switches should be completely enclosed at all times with no exposed wiring.
- Disconnect negative lead from ignition battery before servicing. Failure to do so can cause damage to electrical system and/or electrical shock.
- Only use National components. Failure to do so could cause damage or serious injury.
- Always be aware of support personnel and their proximity when in operation. Block off work area.
- Support personnel should never stand next to machine, in front of or behind machine while machine is running. Failure to do so could cause serious bodily injury or death.
- Manual should be kept with machine in supplied holder for access by operator at all times.
- Always wear eye and hearing protection when running machine.
- Never defeat switches or guards.
- Remove blade when machine is not in use and/or lower cutting head to floor. Failure to do so could cause serious bodily injury.
- Wear gloves when changing blades. Always shut machine off when changing blades.
- Turn propane valve off before servicing scraper.

BEFORE CARRYING OUT MAINTENANCE OR REPAIR WORK:

- Let the engine and the exhaust system, cool down.
- Remove all traces of oil, combustible fuel or cleaning fluids from the scraper, its connections and fittings in particular.
- Do not use any aggressive cleaning products.
- Be sure that all cleaning rags are fiber free.
- Retighten all loose fittings found during maintenance and repair work.

Machine Operation

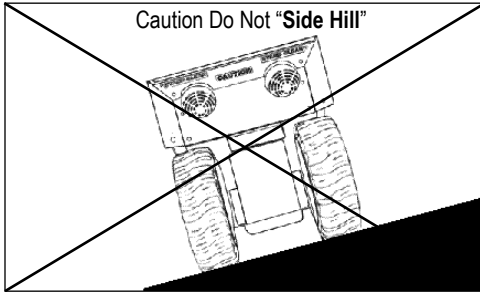


FIG. A

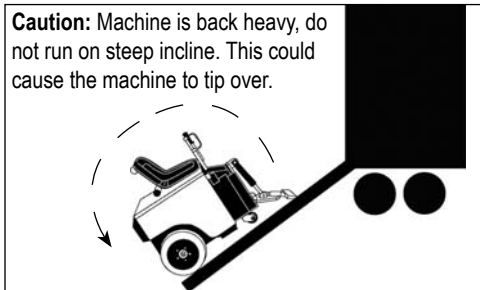


FIG. B

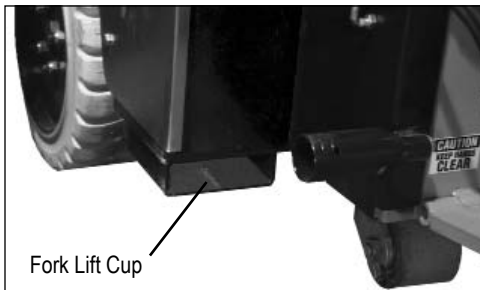


FIG. C

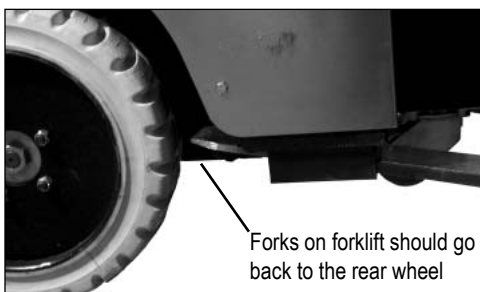


FIG. D

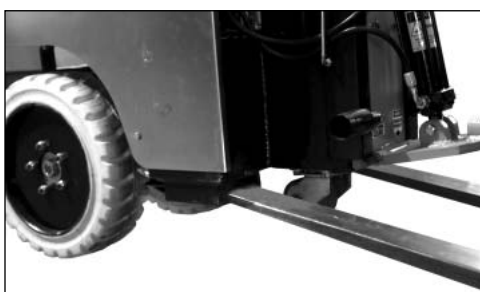


FIG. E

LOADING/UNLOADING

- Always remove blade and cutting head when machine is being moved or transported
- Cutting head and slide plate can be removed to make the machine more compact.
- NEVER leave machine unattended on an incline.
- Removing added weights help to make the machine easier and safer to move in and out of a vehicle.



WARNING: MACHINE HAS A SWIVEL FRONT CASTER. NEVER SIDE HILL (SEE FIGURE A). THE MACHINE ON AN INCLINE WITHOUT POWER, THE FRONT CASTER WILL CAUSE MACHINE TO SWING TO THE LOWEST POINT. IF IT IS NECESSARY TO RUN MACHINE ON AN INCLINE, RUN MACHINE ON CUTTING HEAD. PLACE AT LEAST A 8" CUTTING HEAD IN MACHINE. TO KEEP FROM DAMAGING FLOOR, CLAMP A PIECE OF CARPET INTO CUTTING HEAD TO SLIDE ON THE FLOOR. THIS WILL GIVE POSITIVE CONTACT WITH THE FLOOR WHEN POWER IS DISENGAGED FROM THE WHEELS.

DOCK HEIGHTS

It is best to load or unload the machine from a level/equal dock height (a van from a van dock height, a truck/semi from a regular dock height).

POWER-GATE

A power-gate can be used when the dock height is not available. Make sure gate is properly rated for 2300 lb. Make certain the machine is secure so it does not roll off the power-gate. To better secure machine, raise machine onto the lowered cutting head, raising machine off the caster. Tie machine down, chock wheels.

RAMPS

To be safe, the ramp needs to be long enough to accommodate the machine being loaded/unloaded. Remove added weight. Make sure ramp is secured. Do not have at a steep incline. The use of a power winch or hand come-a-long is much safer. For a van, the ramp should be 12 to 18 feet in length depending on the depth of the incline. For truck height taller than a van, longer ramps will be needed. See OSHA guidelines. It is not recommended to drive the machine on a ramp. Make sure ramp is secure and has good contact before using. Failure to do so could cause ramp to fall away from the vehicle.

NOTE: SEE CORRECT AND SAFE OPERATING ANGLES AND CENTER OF GRAVITY ON PAGE 11.

FORKLIFT CUPS

There are two forklift cups mounted under the front of the machine (See Figure C). Slide fork lift forks through forklift cups. Slide forks all the way back to touch the rear tire (See Figure D). Before lifting machine, secure machine to fork lift with heavy 3000 lb. or heavier rope or chain. Tilt forks back to lift machine (See Figure E).

WINCHES

Winches should be used for safety when loading or unloading with ramps. 2000 lb winch minimum.

TRANSPORTING

Secure machine down with ratchet straps when transporting the machine. Chock wheels to keep machine from rolling, hydraulic levers should not be locked in the forward or backward position. Hydraulic levers should be straight up in the "neutral" position. This helps to lock drive wheels. Lift machine off swivel caster by lowering cutting head for better stabilization. Proper securing straps need to be rated at least twice the weight of the machine.

Machine Operation

WHEEL CHOCKS

Wheel chocks will help to secure the machine but DO NOT use wheel chocks alone to secure the machine.

CENTER OF GRAVITY

Be aware of your surroundings and machines operating angles. When changing from a low slide plate to a high slide plate setting or a low cutting head angle to a high cutting head angle, the operating “attitude” of the machine changes. When a floor surface is not level (ramps, inclines, large amounts of debris which would lift the drive wheel of the machine, etc.), the center of gravity changes (See Figure F, G & H). Too much of an angle could make the machine unsafe (a cause for tip-over). **Do Not** run the machine in unsafe environments.

JOB SITE MOVEMENT

- Always remove blade and cutting head when machine is being moved or transported
- Cutting head and slide plate can be removed to make the machine more compact.
- NEVER leave machine unattended on an incline.
- Removing added weights help to make the machine easier to move.

TAPING WHEELS

Taping the wheels with a wide masking tape helps to prevent damage and dirt to floors during move-in and move-out.

FRONT WHEEL ASSEMBLY (FIGURE J)

The Front Wheel Assembly (#5110-100) is included and very helpful when moving the machine around on a job-site or loading the machine that is not on a pallet. It allows machine stability and safe transportation over most surfaces. It is easy and quick to attach or detach. Raise slide plate so the bottom of the slide plate is higher or even with the bottom of the guide channels. Raise cylinder, insert Front Wheel Assembly into cutting head. Secure with securing pin.2

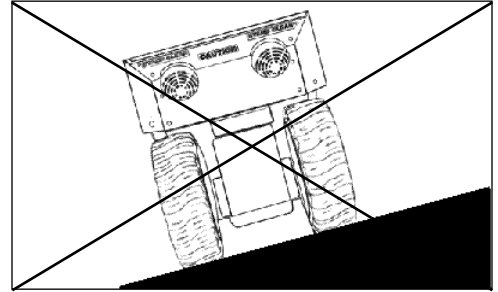


FIG. F

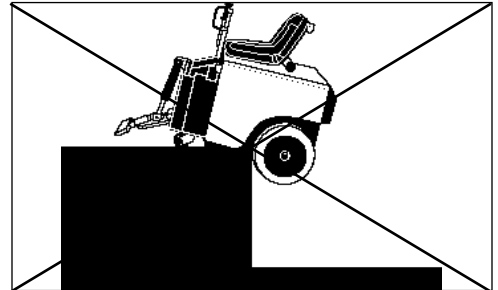


FIG. G

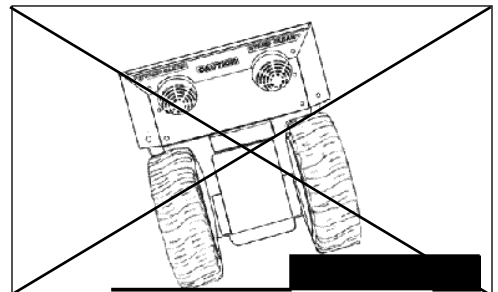


FIG. H

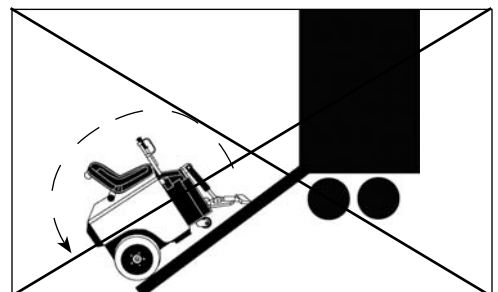


FIG. I



CAUTION: WHEN MOVING THE SLIDE PLATE, BE AWARE OF PINCH POINT AT THE BOTTOM OF THE PLATE. FAILURE TO DO SO COULD CAUSE SERIOUS BODILY INJURY.



WARNING: PROTECT OTHERS IN WORK AREA. PROVIDE BARRIERS OR SHIELDS AS NEEDED TO PROTECT OTHERS FROM DEBRIS AND MACHINE OPERATION. OPERATOR SHOULD BE AWARE OF WHO IS AROUND THEM AND THEIR PROXIMITY.

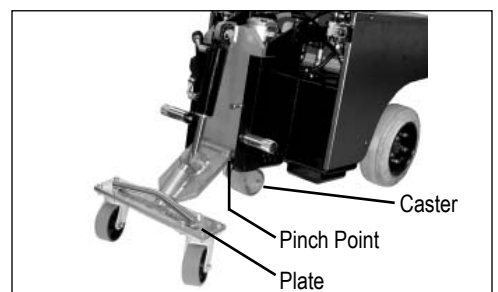


FIG. J

Machine Operation



FIG. K

TO MOVE MACHINE WITHOUT POWER (PUSHING MACHINE)

Forward: To move the machine forward, levers need to be pushed forward. To lock levers in place, connect a bungee-strap from each lever (pushing levers forward), pulling straps down to and connecting to the front plate (See Figure K). Never leave machine unattended with strap holding levers open.

Backward: To move machine backward, levers need to be pulled backwards. To lock levers in place, connect a bungee-strap from each lever (pushing levers backward), Pulling straps to the back of the machine and connecting behind the seat or the rear of the machine (See Figure L). Never leave machine unattended with strap holding levers open.

MOVING MACHINE ON CASTER

Moving a “weighted” machine only on the front caster and not on the cutting head or the Front Wheel Assembly can seem to make the machine turn sluggish. It might turn hard to the right or the left. This is normal.



FIG. L

WHEEL SIZE



WARNING: ALWAYS REMOVE STRAPS BEFORE STARTING MOTORS. FAILURE TO DO SO WILL MAKE MACHINE MOVE AND MAY CAUSE PROPERTY DAMAGE AND/OR BODILY INJURY.

The 18” wheel comes standard on the machine. This wheel will work on all job types of application and heavy debris build-up (VCT, ceramic etc.). It also works best for slippery/slimy residue, ie. double stick.

Keep wheels clean and free of debris, make sure it can move freely. Clean as needed. Inspect before each use.

To change wheels, see Wheel Changing on page 26.



WARNING: WHEN DOING MAINTENANCE OR CHANGING A WHEEL, MAKE SURE MACHINE IS SUPPORTED PROPERLY OR SERIOUS INJURY COULD OCCUR.

Machine Operation

START UP PROCEDURE

POWER /Key Start (Figure M)

1. Open propane tank valve by turning knob counterclockwise until fully open.
2. The machine will not start unless the operator is properly seated.
3. Insure that hydraulic levers are "centered".
4. Set throttle at a quarter open.
5. Start with ignition switch.
6. If machine does not start, press primer button once (in hole on side of machine) (see Figure N).
7. Start with ignition switch again.
8. Both a Red & Green light will illuminate (Figure O). As soon as engine starts, the red light will shut off. If the Red light does not shut off, turn machine off.
9. Adjust throttle to move to desired RPM.

THROTTLE CONTROL (FIGURE P)

- Make sure throttle is pushed down.
- Start machine.
- Adjust throttle to desired RPM by pulling up on the throttle control.
- When at desired RPM, turn throttle friction knob counter-clockwise to hold in position.

HYDRAULIC LEVERS (FIGURE Q)

The hydraulic levers steer the machine. They are feathered spool valves. For smooth even movement, always move levers slowly. Fast movement on control levers will result in jerky, uneven movement.

- Move levers slowly.
- Both levers forward $\uparrow\uparrow$ move the machine forward.
- Both levers backward $\downarrow\downarrow$ move the machine backward.
- The left lever forward and the right lever backward $\uparrow\downarrow$ turn the machine quickly to the right.
- The left lever backward and the right lever forward $\downarrow\uparrow$ turn the machine quickly to the left.
- Only using the left or right lever forward \uparrow , turns the machine slowly to the right or left.
- Only using the left or right lever backwards \downarrow , turns the machine slowly to the left or right.
- Correcting direction while moving forward is accomplished by slightly reducing pressure on one lever or the other while moving.
- The center position on levers causes wheels to lock-up.
- Always chock wheels and tie down machine when transporting.

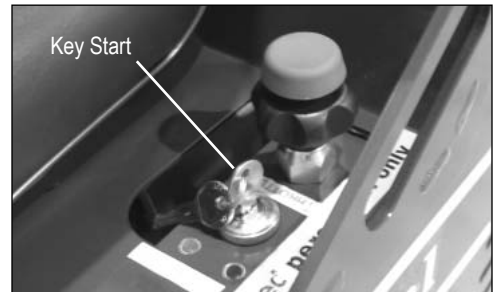


FIG. M



FIG. N

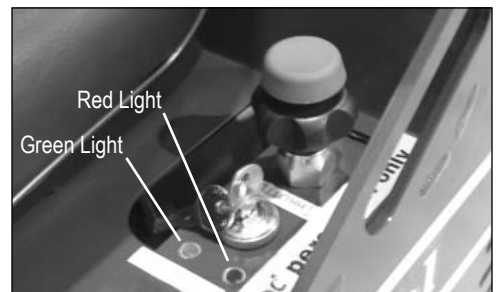


FIG. O

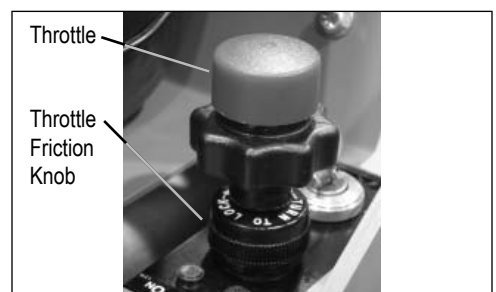


FIG. P



FIG. Q

Machine Operation



FIG. R



FIG. S

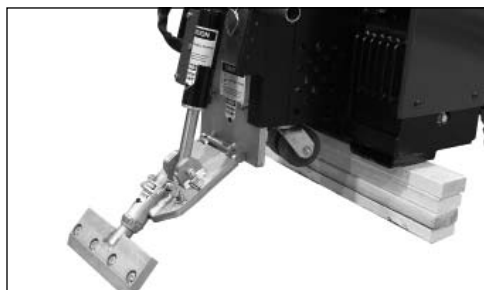


FIG. T

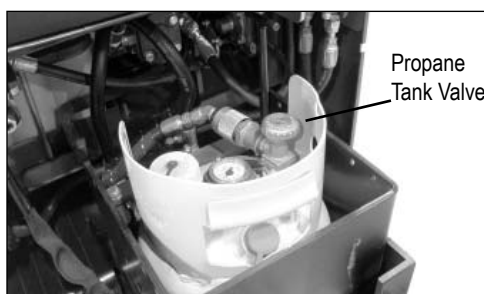


FIG. U

SEAT SWITCH

The seat has a safety switch. Operator must be properly positioned for machine to run.

CYLINDER LIFT (FIGURE R)

The cylinder lift lever raises and lowers the cylinder and cutting head. After setting slide plate to proper height, use the cylinder lift lever to set blade to proper cutting angle. Pull back ↓ on the cylinder lift lever to raise the cutting head. Push the cylinder lift lever forward ↑ to lower the cutting head. Continuing to push the cylinder lift lever forward and it will adjust the angle of the cutting head. This will also jack up the front of the machine (See Figure S). This will need to be done when doing maintenance on the machine (ie: wheel changing, front caster maintenance etc). When doing machine maintenance, besides raising the cutting head angle, place blocks under the machine (See Figure T). Never use the cutting head only.

NOTE: IF MACHINE IS NOT RUNNING BUT THE KEY IS IN THE IGNITION AND IN ON POSITION, THE HOUR METER WILL CONTINUE TO RUN



WARNING: DO NOT ALTER A SWITCH OR LEVER. DO NOT DEFEAT A SAFETY DEVICE.



WARNING: DISARM MACHINE BY REMOVING THE CUTTING HEAD OR DROPPING THE CUTTING HEAD TO THE FLOOR WHEN THE MACHINE IS NOT IN USE.

SHUT DOWN MODE (SHUT DOWN PROCEDURE/ TURNED OFF)

Definition: State or condition of the 5625 Propane Ride-On that minimizes the danger of mechanical, electrical, pneumatic or hydraulic hazards.

Putting the 5625 Propane Ride-On in Shut Down Mode:

- Move the 5625 to level ground.
- Turn off the ignition switch and remove the key.
- DO NOT move hydraulic levers. The hydraulic system is the brake system. Moving levers could cause machine to roll, causing damage to machine, property damage and/ or bodily injury.
- Wait until motor has stopped completely.
- Close propane tank valve (Figure U).
- Let the engine, exhaust system and hydraulic components cool down before performing maintenance on the machine.



WARNING: ENGINE, EXHAUST SYSTEM AND HYDRAULIC COMPONENT TEMPERATURES COULD BE IN EXCESS OF 200° F CAUSING SEVERE BURNS IF TOUCHED.

LONG TERM MACHINE STORAGE

- Follow Shut Down Mode procedure.
- After engine has completely cooled down, disconnect propane line.
- Remove negative terminal on battery.

Machine Operation

CHANGING PROPANE TANK

TO CHANGE THE PROPANE TANK:

- Turn machine off.
- Shut propane tank off (Figure V).
- Release hood strap.
- Remove T-handle bolt (Figure W).
- Release tank bracket (bracket does not need to be removed, it will swing back) (Figure X).
- Disconnect propane hose (Figure Y).
- Remove tank and replace.
- Follow steps in reverse order.

CARBON MONOXIDE DETECTOR (FIGURE Z)

Included with the 5625 are a 75007 Lapel CO Monitor and a 75008 Clip. It is recommended that the operator and anyone in the working vicinity wear the detector. Failure to do so could cause bodily injury and/or death. The use of detectors helps to verify if work area is safe from Carbon Monoxide poisoning. The detector has an adhesive strip on the back for mounting or can be worn with the included clip. It can detect as little as 100ppm (part per million) carbon monoxide gas at approximate relative humidity range of 33 to 50%. If the humidity is very high it can detect concentrations as low as 20ppm. The presence of CO will change the impregnated silica color change from red to red/brown and then to gray/black as the concentration levels increase. Once the detector is exposed to fresh air, it will return back to red. Shelf life in an unopened pack is approximately two to three years (expiration date is visible through unopened package on the back). Once opened it should be replaced approximately every ninety days. Write date opened in provided area on the front of the detector. Read further user directions on the back of the detector.

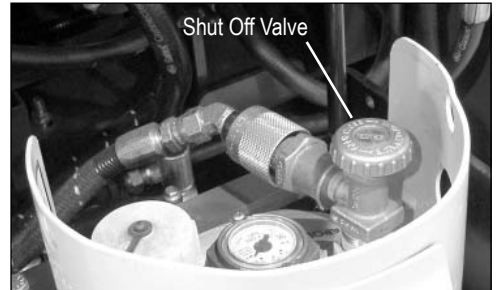


FIG. V

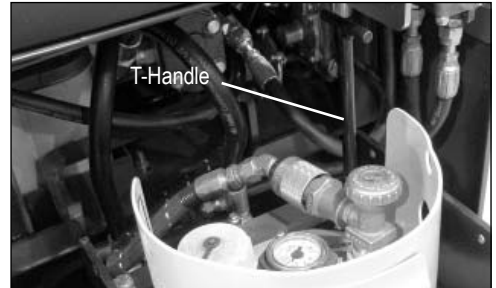


FIG. W

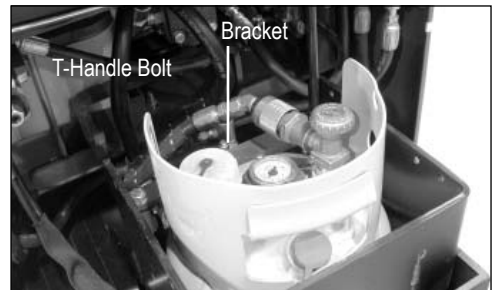


FIG. X

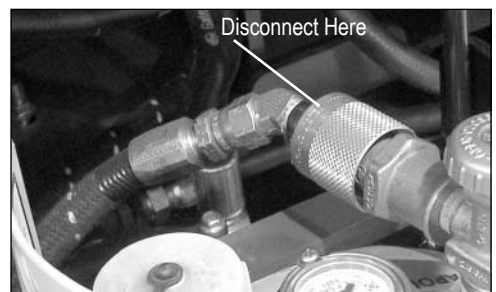


FIG. Y



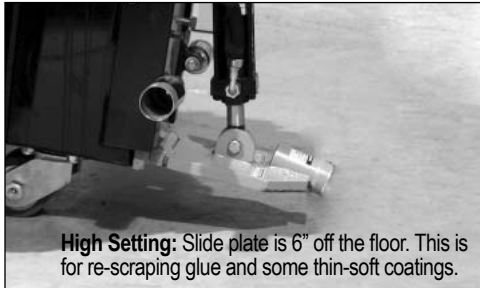
FIG. Z

Machine Operation



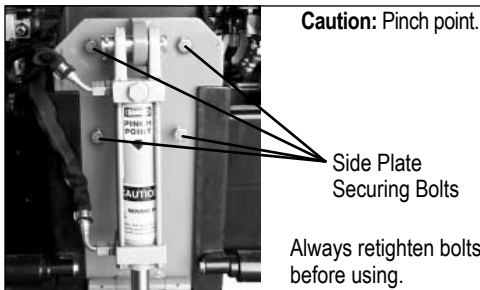
Low Setting: Slide plate 1/4" to 1/2" off the floor. The lower the better. This is for normal removal of almost everything.

FIG. AA



High Setting: Slide plate is 6" off the floor. This is for re-scraping glue and some thin-soft coatings.

FIG. BB



Caution: Pinch point.

Side Plate
Securing Bolts

Always retighten bolts
before using.

FIG. CC

CUTTING HEAD & BLADES

DIALING IN THE MACHINE

Dialing in the machine is matching the correct cutting head, blade size, blade angle and added weight to the machine to make the material removal as easy as possible. For every material being removed, there is an optimum blade width, thickness, sharpness, angle and bevel (bevel up or bevel down).

SAVING TIME WITH EXTRA CUTTING HEADS

The machine is supplied with one cutting head. Having additional cutting heads will save time on the job. Insert blades into the extra cutting heads before starting a job. When the blade is dull, instead of taking the time to replace it or sharpen it on the job, take out the cutting head and replace it with another. Or when a different type or size of blade is needed, you have them ready to use.

ADJUSTING THE DUAL LIFT SLIDE PLATE AND CUTTING HEAD

- For safety prior to adjusting the dual lift hydraulic slide plate make sure the channel guide is free of any debris and the machine is safely positioned on a flat surface.
- Be properly seated in the operator's seat.
- Twist the Red Emergency Stop switch located on the right side of the operator, the spring-loaded switch will pop up when twisted.
- Push the Green 'ON' button to start the machine.
- Adjacent to the left hand steering lever is a straight and narrow handle rod, this handle rod raises and lowers the front cylinder and is referred to as the 'cutting head lever'. To set the height of the hydraulic slide plate start by first adjusting the angle or pitch of the cutting head holder.
- Pull back on the cutting head lever and raise the cutting head holder to an angle higher than the bottom of the slide plate.
- Using the lever adjacent to the right hand steering lever raises and lowers the hydraulic slide plate and is referred to as the 'slide plate lever'. To lower the slide plate the operator must push forward on the slide plate lever. Reversely, to raise the slide plate the operator must pull back on the slide plate lever.

While the hydraulic slide plate can be adjusted to multiple positions there are two basic slide plate settings.

- **Low Setting:** the hydraulic slide plate is positioned 1" off the floor. This setting is most commonly used during initial scraping or removal applications; such as carpet, VCT, ceramic tile and wood flooring. (Note: The "low" setting on older model hydraulic slide plates may stop the plate within one to two inches of the floors surface.)
- **High Setting:** the hydraulic slide plate is positioned 6" off the floor or in most cases flush with the bottom of the slide plate channel guide. This setting is most often used for re-scraping glues, mastics, thin sets and soft coating.

SHEAR POINT

The shear point is the point where material to be removed will cut cleanly from the floor. If the blade is too wide, too dull or too steep, the shear point is lost.

WEIGHT VS. SHARPNESS

The most common way to compensate for a dull blade is to add more weight and raise the blade angle. Weight allows dull blades to be used to a point. Weight also causes blades to dull and break easier. Blades of any thickness tend to catch cracks and expansion joints and will bend or break the blade if set at a high angle. For best results, run a small ditching blade at a low angle to identify as many cracks and joints as possible. If blades are breaking, you are misunderstanding the conditions.

Machine Operation

STEEP CUTTING HEAD ANGLE

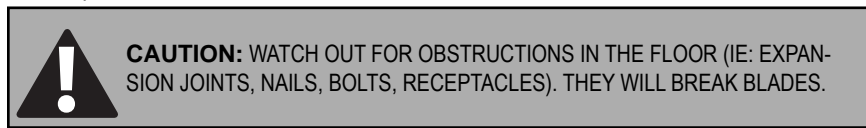
A steep angle is only used for re-scraping. The slide plate has to be raised so the bottom of the slide plate is higher or even with the bottom of the guide channels (See Figure DD). Not raising the slide plate when operating the machine at a steep angle will cause the machine to jump and buck. It does not give the operator a clear vision of the cutting head and it raises the machine to operate at a unsafe operating height (See Figure EE). Failure to raise the slide plate could cause machine damage and/or bodily injury.

SWIVEL HEAD

The swivel head keeps the blade in contact with the floor even when the floor is uneven. When using a flat blade, by swiveling the head over 180° allows another sharp edge on the blade without having to replace the blade.

CUTTING HEAD INSERTION

With machine off, insert desired cutting head into cutting head holder. Secure with cutting head clip.



SHANK BLADE INSERTION

Shank blades do not require a cutting head. Insert desired shank blade into cutting head holder. Secure with cutting head clip.

BLADE SETTING

- Dull blades greatly reduce cutting ability. Re-sharpen or replace as needed.
- Proper blade size and placement, depending on material and sub-floor type, affects performance.
- The harder a job comes up, for best results, use a smaller blade.
- Start with a narrow blade, then increase blade size to optimize cutting pass. Narrower blades work easier than wider blades and usually clean the floor better. Wider is not always better or faster.
- Normally bevel on blade is up for concrete. Bevel down for wood and shoe blades for soft sub-floors.



- KEEP BLADES SHARP.
- Dull blades greatly affect the performance of the machine and reduce cutting ability, sharpen or replace as needed.
- Keep your work area clean and clear of debris.
- After you have removed a portion of material, remove it out of the way. This will give the machine maximum performance and help to keep the work area safe.
- Always wear gloves when handling blades.
- Everyone in work area should wear eye protection.

SELF-SCORING BLADES

Instead of pre-scoring a job, for soft goods (carpet, vinyl, linoleum, membrane) the self-scoring blades automatically do the scoring.

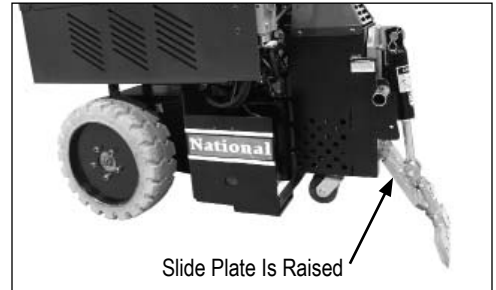


FIG. DD

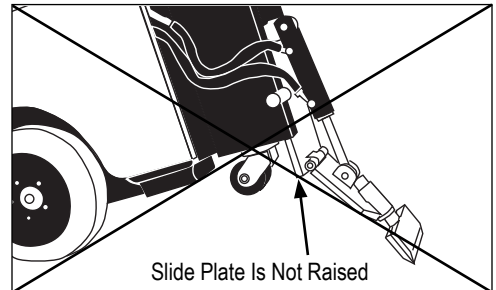


FIG. EE

Machine Operation

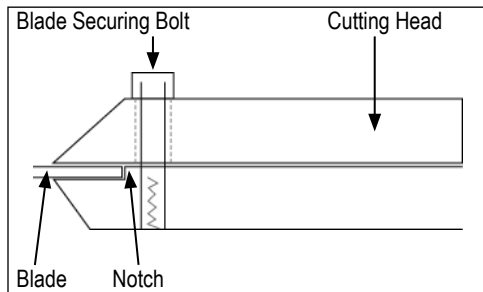


FIG. FF



FIG. GG

BLADE INSERTION OR BLADE CHANGING

Using a 3/4" socket wrench, loosen bolts on cutting head. Quantity of bolts will vary depending upon cutting head size. Insert blade into the cutting head to back of notch (See Figure FF). Tighten firmly.

Note: A cordless 3/8" drive impact wrench will speed up this process especially out on the job.

- Sharp blades are imperative for good performance.
- Always wear gloves when handling blades.



WARNING: BLADES ARE SHARP, USE EXTREME CAUTION.



WARNING: NEVER CHANGE CUTTING HEAD OR SERVICE BLADES WHILE MACHINE IS RUNNING.



WARNING: DISARM MACHINE WHEN MACHINE IS NOT IN USE. REMOVE THE CUTTING HEAD OR DROP CUTTING HEAD TO THE FLOOR. FAILURE TO DO SO COULD CAUSE SEVERE BODILY INJURY.

CERAMIC SET-UP

The slide plate should be adjusted to a low setting (1") on inch off the floor. Use a Shank Blade or a Shank Blade with a carbide tip.

WOOD SET-UP (FIGURE DD)

The slide plate should be adjusted to a low setting (1") one inch off the floor. Use Shank Blades, Shank Blades with carbide tips or a 6" or 8" Cutting Head with Shoe Blades, Bent Shoe Blades or Heavy Duty Blades. Note: Run machine 45° to the grain of the wood.

SECONDARY BACKING CARPET SET-UP

The slide plate should be adjusted to a low setting (1") one inch off the floor. Use a Cutting head from 10" to 27" with Heavy Duty Blades or a Cutting Head from 10" to 14" with a Self-Scoring Blade.

FOAM BACK CARPET SET-UP

The slide plate should be adjusted to a low setting (1") one inch off the floor. Use Cutting Heads from 10" to 14" with Self-Scoring Blades. If it is not stuck tight, use a Cutting Head from 14" to 27" with a Standard Blade.

DOUBLE STICK CARPET SET-UP

The slide plate should be adjusted to a low setting (1") one inch off the floor. It is best to test to see which is the easiest way to remove double stick. Start with a Cutting Head from 10" to 14" with Self-Scoring Blades (Figure HH). If self-scoring blades do not work, score thru the carpet (Figure II) the width of the blade (Standard Blade) and scrape up. In some cases, carpet might pull off the pad and then scrape up the pad separately. Usually leaving carpet connected to the pad works the best. Sharp blades are necessary for proper operation.

Note: When removing carpet from over VCT Tile and the tile needs to be saved, run the machine at a 45° angle over the tile. This should help to save the tile.

Machine Operation

VCT TILE SET-UP

The slide plate should be adjusted to a low setting (1") one inch off the floor. If goods come up easily, change to a larger Cutting Head. If goods come up harder, use a Cutting Head from 6" to 8" with a Premium High Tempered Blade (.062) to match cutting head size. Sometimes a .094 blade may work better. If goods remove easily, a Tile Box #7074 can be used. A tile box also works for wind rowing, assists for a fast clean-up and collection of tile debris for quick removal.

RUBBER TILE SET-UP

The slide plate should be adjusted to a low setting (1") one inch off the floor. Use a Cutting Head from 6" to 14" with self-scoring blades or use ditching method with a flat blade.

RE-SCRAPING SET-UP

Slide plate should be set high, 6" to 8" off the floor. Use a Cutting Head from 8" to 27" with Scraper Blades to match cutting head size. A 15" scrapper blade would use a 14" Cutting Head. Razor Blades are faster but a Cutting Head from 8" to 14" can be used with a Standard Blade. Flip head regularly.

THIN COATING SET-UP

Slide plate could be set high, 6" to 8" or low 1" off the floor. Test to see which works best. Use a Cutting Head from 8" to 27" with Razor Blades to match cutting head size.

WORKING OVER CONCRETE

Blade should be bevel up when working over concrete. Pretty much anything over concrete works. Try different set-ups to see which works best. If goods come up difficult, the slide plate should be at a low setting, 1" off the floor. Use a smaller size blade. If goods come up easily, a wider blade can be used.

WORKING OVER WOOD

A heavy machine cannot be used on wood subfloors or raised panel computer floors. Keep machine light, remove all weights. A weighted machine could break through the floor. The slide plate should be adjusted to a low setting (1") on inch off the floor. Blades should be as flat of an angle as possible. Use a "shoe blade", Extra Heavy Duty Blade (these blades have a bend to them) or a regular blade, bevel up. When using a regular blade, bending up the corners of the blade will help from the blade digging into the floor. Sometimes a shank blade or a shank blade with a carbide tip will work. Allow blade to shear material from the floor. The trick on wood floors is to run the blade flat. Approach should be at a 45° angle to the board. This keeps from digging into the board and hanging up at the seams.

WORKING OVER SOFT SUB-FLOOR

The slide plate should be adjusted to a low setting (1") one inch off the floor. Blades should be as flat of an angle as possible. Use a "shoe blade", Extra Heavy Duty Blade (these blades have a bend to them) or a regular blade, bevel up. When using a regular blade, bending up the corners of the blade will help from the blade digging into the floor. Sometimes a shank blade or a shank blade with a carbide tip will work.



CAUTION: BLADES ARE SHARP, USE EXTREME CAUTION.



CAUTION: NEVER CHANGE CUTTING HEAD OR SERVICE BLADES WHILE MACHINE IS RUNNING.



WARNING: DISARM MACHINE WHEN MACHINE IS NOT IN USE. REMOVE THE CUTTING HEAD OR DROP CUTTING HEAD TO THE FLOOR. FAILURE TO DO SO COULD CAUSE SEVERE BODILY INJURY.

Machine Operation

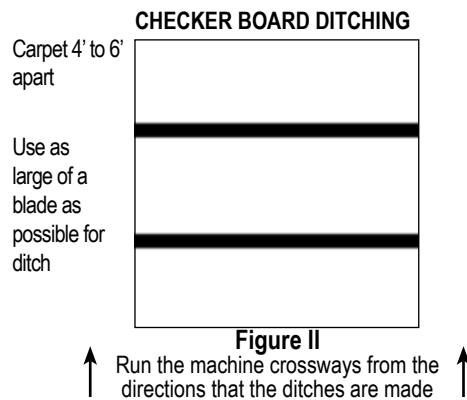
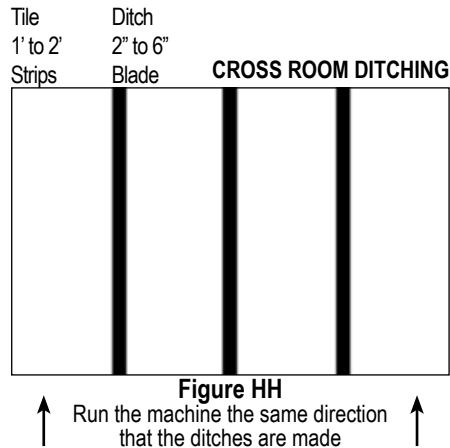
DITCHING

CROSS ROOM DITCHING

When removing hard to remove ceramic, Vct or vat, cross-room ditching will help to make the removal easier. Using a blade 2" to 6" in width, make ditches 1' to 2' apart in the same direction the machine will be removing the goods (See Figure HH). This "relieves" the pressure holding the tiles together. If ditching helps and the goods are coming up easy, try using a wider blade to ditch with.

CHECKER BOARD DITCHING

To make carpet removal and debris cleanup easier, checker board ditching is very helpful. Using as wide of a self-scoring blade as possible, make ditches 4' to 6' apart crossways from the way the machine will be removing the goods (See Figure II). Running the machine crossways from the ditches will make smaller pieces of debris to be hauled away. Instead of large gummy rolls of carpet, there are small squares that can be rolled, palletized, put on a dolly or folded with the sticky side in. This makes removing the debris easier and reduces the amount of debris.



BLADE SHARPENING

Dull blades greatly reduce cutting ability. Re-sharpen or replace as needed. In use, blades develop a back-bevel (See Figure JJ). When re-sharpening, blade will not be truly sharp until all back-bevel is gone.

Note: Thinner blades are easier to sharpen, but they also break easier.

- Always wear gloves and safety glasses.
- Grind blade using a 4" diameter disk with 120 or finer grit. Be careful not to catch disk on edge or corner of blade.
- Pass grinder along blade edge starting on one end and continuing in one direction being careful to hold grinder at proper angle of blade. Grind until sharp.
- While using a high quality fine tooth hand file, follow the same procedure as above.
- Blades are sharp. Use extreme caution.
- Have plenty of sharp blades on each job so on-the-job blade sharpening is eliminated.
- It is best to re-sharpen dull blades on proper bench or belt grinder in the shop, so the blades are ready for the next job.

SELF-SCORING BLADE SHARPENING

It is important to keep the "wings" on a self-scoring blade sharp (See Figure KK). Use a file on the "wing" edge. Sharpen the flat part of the blade, the same way as described above.

CARBIDE TIPPED BLADE SHARPENING

To sharpen carbide tipped blades, a carbide grinding wheel is necessary, ie: silicon carbide or green wheel.

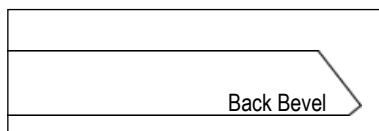


FIG. JJ

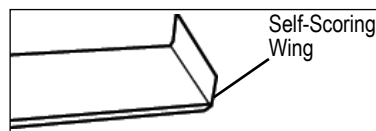


FIG. KK

STANDARD BLADE (FIGURE LL)

This heavy duty blade is designed to remove soft goods, carpet, and vinyl flooring. Its .062 thickness offers flexibility to maximize the shear point angle.

PART#	DESCRIPTION	THICKNESS (IN.)
135	5" X 16" BLADE	.062
136	5" X 8" BLADE	.062
147	4" X 6" BLADE	.062
148	5" X 6" BLADE	.062

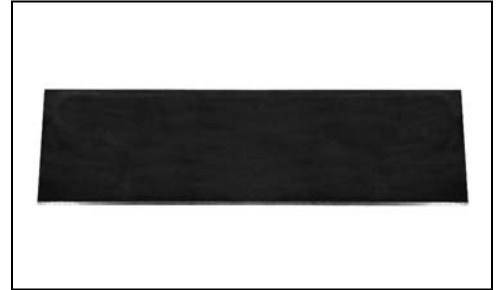


FIG. LL

RAZOR/SCRAPER BLADES (FIGURE MM)

These razor sharp blades are designed for super hard thin epoxies, thin mil coatings (like urethane paint), poured elastomeric coatings up to 60 mil and hard to remove adhesives.

PART#	DESCRIPTION	THICKNESS (IN.)
363-2	3/4" X 8" RAZOR/SCRAPER BLADE (50/PKG)	.032
368-8	7/8" X 8" RAZOR/SCRAPER BLADE (50/PKG)	.045
368-12	7/8" X 12" RAZOR/SCRAPER BLADE (50/PKG)	.045
368-15	7/8" X 15" RAZOR/SCRAPER BLADE (50/PKG)	.045

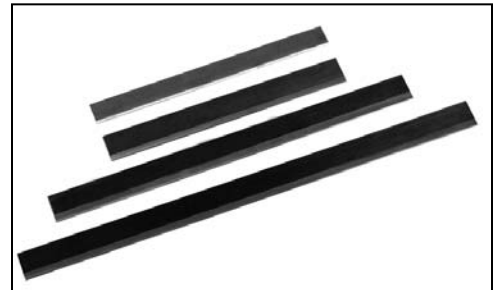


FIG. MM

SELF-SCORING BLADES (FIGURE NN)

These 90° angled self-scoring wing tipped blades are tough and long lasting. Made from National's proven blade hardening process, they perform up to ten times longer than the competition. They work on attached cushion, unitary or secondary backing, vinyl back, soft to medium PVC, linoleum, carpet tiles, soft cork, enhancer and unibond hot melts.

PART#	DESCRIPTION	THICKNESS (IN.)
6255-BU	4" X 6" SELF-SCORING BLADE	.062
6258-BU	3" X 12" SELF-SCORING BLADE	.062
6259-BU	3" X 14" SELF-SCORING BLADE	.062
6277-BU	3" X 12" SELF-SCORING BLADE	.094
6278-BU	3" X 14" SELF-SCORING BLADE	.094
6247	4" X 10" SELF-SCORING BLADE	.094
6249	4" X 12" SELF-SCORING BLADE	.094
6256-BU	4" X 6" W/ 4" BU SELF-SCORING BLADE	.062
6261-BU	3" X 12" W/ 4" BU SELF-SCORING BLADE	.062



FIG. NN

HEAVY DUTY BLADES (FIGURE OO)

This heavy duty blade is flexible and delivers jobsite versatility. Made with National's proven blade hardening process, these blades will stay sharper longer with better overall performance than any other blade on the market. They work on VCT, VAT, wood, tile, rubber, epoxy, elastomeric coatings, scraping thin-set and glued ceramic.

PART#	DESCRIPTION	THICKNESS (IN.)
6281	3" X 8" HEAVY DUTY BLADE	.094
6282	3" X 14" HEAVY DUTY BLADE	.094
6284	3" X 12" HEAVY DUTY BLADE	.094
6285	3" X 6" HEAVY DUTY BLADE	.094
6286	3" X 10" HEAVY DUTY BLADE	.094
6240	4" X 6" HEAVY DUTY BLADE	.094
6241	4" X 8" HEAVY DUTY BLADE	.094
6242	4" X 12" HEAVY DUTY BLADE	.094
6243	4" X 15" HEAVY DUTY BLADE	.094
6245	4" X 10" HEAVY DUTY BLADE	.094



FIG. OO

Blades

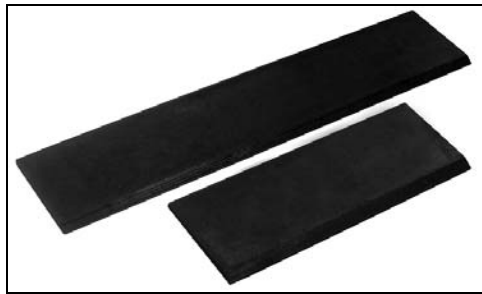


FIG. PP

EXTRA HEAVY DUTY BLADES (FIGURE PP)

These extremely hard, high abrasion alloy blades are designed for tough tear up situations. VCT, VAT, wood, tile, lighter ceramic, re-scraping thin-set, all carpets, cork, elastomeric coatings, re-scraping rubber and urethane coatings. They hold all edges extremely well.

PART#	DESCRIPTION	THICKNESS (IN.)
6290	3" X 6" EXTRA HEAVY DUTY BLADE	.187
6291	3" X 8" EXTRA HEAVY DUTY BLADE	.187
6292	3" X 12" EXTRA HEAVY DUTY BLADE	.187
6293	3" X 14" EXTRA HEAVY DUTY BLADE	.187



FIG. QQ

PREMIUM HIGH TEMPERED BLADES (FIGURE QQ)

These ultra-high quality spring steel blades are extra hard; ensuring long blade life between sharpenings. They work on all glued down carpets, VCT, VAT, rubber tile, cork, re-scraping adhesive and elastomeric coatings. Great for floor accumulations!

PART#	DESCRIPTION	THICKNESS (IN.)
7050-200	3" X 6" PREMIUM HIGH TEMPERED BLADE	.062
7050-201	3" X 8" PREMIUM HIGH TEMPERED BLADE	.062
7050-202	3" X 10" PREMIUM HIGH TEMPERED BLADE	.062
7050-203	3" X 12" PREMIUM HIGH TEMPERED BLADE	.062
7050-204	3" X 14" PREMIUM HIGH TEMPERED BLADE	.062
7050-205	3" X 27" PREMIUM HIGH TEMPERED BLADE	.062



FIG. RR

STRAIGHT SHANK BLADES (FIGURE RR)

Works well for ceramic, wood and thick epoxy. The ultimate for the toughest removals. Made from an ultra tough alloy, which is put through special processing to give these blades unbelievable edge holding ability for ceramic epoxy, thin-set, mud set, decorative concrete toppings and much more.

PART#	DESCRIPTION	THICKNESS (IN.)
7070-2	4" X 2" STRAIGHT SHANK BLADE	.500
7070-3	4" X 3" STRAIGHT SHANK BLADE	.500
7070-4	4" X 4" STRAIGHT SHANK BLADE	.500
7070-6	4" X 6" STRAIGHT SHANK BLADE	.500



FIG. SS

ANGLE SHANK BLADES (FIGURE SS)

Works well for ceramic and thick epoxy. The same application as the #7070 blades, but is mounted at an angle to achieve the optimum shear point for optimum performance.

PART#	DESCRIPTION	THICKNESS (IN.)
7071-2	4" X 2" ANGLE SHANK BLADE	.500
7071-3	4" X 3" ANGLE SHANK BLADE	.500
7071-4	4" X 4" ANGLE SHANK BLADE	.500
7071-6	4" X 6" ANGLE SHANK BLADE	.500



FIG. TT

STRAIGHT SHANK W/ CARBIDE TIP (FIGURE TT)

These shanks work with a similar application variety as the 7070 blades. These carbide tipped shanks hold a sharp edge for longer durability. These blades perform when all others fail. Perfect for elastomeric coatings!

PART#	DESCRIPTION	THICKNESS (IN.)
7072-2	4" X 2" STRAIGHT SHANK W/ CARBIDE TIP	.500
7072-3	4" X 3" STRAIGHT SHANK W/ CARBIDE TIP	.500
7072-4	4" X 4" STRAIGHT SHANK W/ CARBIDE TIP	.500
7072-6	4" X 6" STRAIGHT SHANK W/ CARBIDE TIP	.500

TAPERED CUTTING HEAD SHANKS (FIGURE UU)

The longer taper works great on tough wood floors (glued & nailed). The long length allows the blade to easily slide under tough materials. They work through most ceramics and VCT.

PART#	DESCRIPTION	THICKNESS (IN.)
7075-8	2" X 8" TAPERED CUTTING HEAD SHANK	.300
7075-11	2" X 11" TAPERED CUTTING HEAD SHANK	.300
7077-8	3.5" X 8" TAPERED CUTTING HEAD SHANK	.300
7077-11	3.5" X 11" TAPERED CUTTING HEAD SHANK	.300



FIG. UU

ULTRA HEAVY DUTY CERAMIC EPOXY ANGLE SHANKS W/ CARBIDE TIPS (FIGURE VV)

Designed for ceramic removal and thin-set rescraping. 1/2" of carbide. The extra carbide allows for maximum resharping. Strong enough to work on machines up to 3500 lbs.

PART#	DESCRIPTION	THICKNESS (IN.)
7079-2	2" X 6" ULTRA HD CERAMIC EPOXY BLADE	.500
7079-4	4" X 6" ULTRA HD CERAMIC EPOXY BLADE	.500
7079-6	6" X 6" ULTRA HD CERAMIC EPOXY BLADE	.500



FIG. VV

INCREASED ANGLE BLADES (FIGURE WW)

These blades are mainly used for VCT, but can be used on most other applications. They supply a greater angle when needed. Prevents machine from jumping off material. They contribute to keeping the machine steady and reduce jumping.

PART#	DESCRIPTION	THICKNESS (IN.)
7081	3" X 10" INCREASED ANGLE BLADE	.062
7083	3" X 8" INCREASED ANGLE BLADE	.062

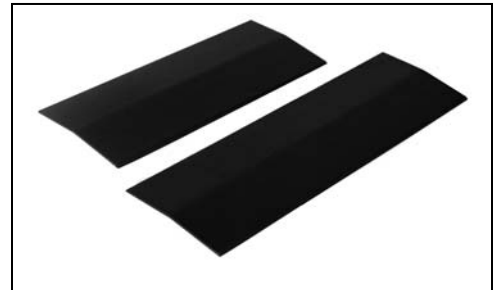


FIG. WW

Machine Maintenance

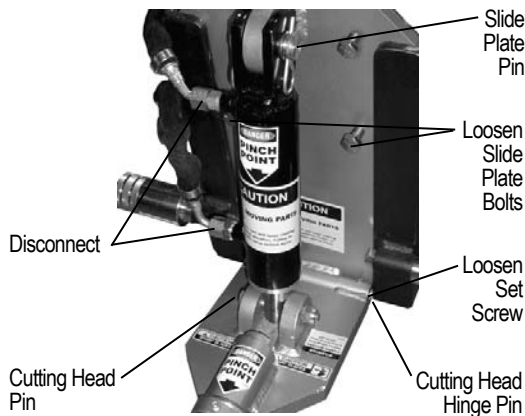


FIG. XX

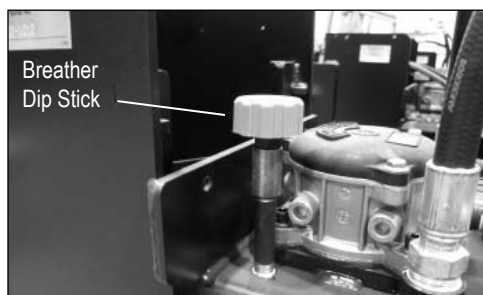


FIG. YY

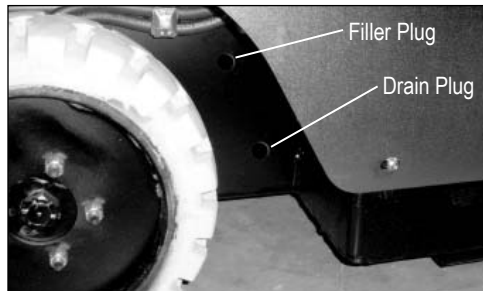


FIG. ZZ

SLIDE PLATE

TO REMOVE SLIDE PLATE

1. Disconnect machine from power.
2. Remove slide plate pin. Remove cutting head bolt. Remove cylinder from slide plate. Remove slide plate.

OR

1. Disconnect machine from power.
2. Unplug hydraulic lines from cylinder. A small amount of oil leak out of lines. Cap lines or bleed into a container. Wipe up spillage immediately.
3. With lines removed, loosen slide plate securing bolts. Hold slide plate at the top of the cylinder. Take Caution: slide plate will drop to the floor when slide plate securing bolts are disengaged. Keep hands and feet out from underneath slide plate.
4. Remove slide plate, cylinder and lower cutting head support.

Take Caution: slide plate will drop to the floor when slide plate securing bolts are disengaged. Keep hands and feet out from underneath slide plate, failure to do so could cause severe bodily injury.

RAISING OR LOWERING THE SLIDE PLATE

This will only work without a cutting head inserted in the machine. Completely loosen slide plate bolts. Use cylinder lift lever to raise or lower machine to move slide plate up or down.

LOWER CUTTING HEAD SUPPORT

To Remove Lower Cutting Head Support

1. Lower slide plate so cutting head hinge pin is below machine bottom. Retighten.
2. Loosen both cutting head pin set screws at the base of the lower cutting head support (hinge area).
3. Drive cutting head pin out using a punch and hammer.
4. Remove cylinder securing hex head bolt.

LEAK MAINTENANCE

All fittings on this machine are O-ring style.

1. Disconnect machine from power.
2. If a leak is detected, tighten fitting with the proper wrench size. DO NOT over tighten. Over tightening could damage O-rings.
3. If a leak still persists, remove fitting and replace O-ring.

HYDRAULIC FLUID LEVEL

To Check Hydraulic Fluid

1. Remove Breather Dip Stick (See Figure YY).
2. Check to see that Hydraulic Fluid is visible on Dip Stick.

OR

1. Remove Filler plug (See Figure ZZ).
2. Oil should be visual 2" below hole.
3. Reinsert plug.

Machine Maintenance

HYDRAULIC OIL CHANGE OUT

1. Let Hydraulic fluid cool before maintenance.
2. Disconnect machine from battery.
3. Drain fluid by removing the drain plug from side of tank (See Figure ZZ). Take Caution: this unit contains twelve gallons of fluid. Make sure you have the proper amount of containers to catch fluid.
4. Replace drain plug.
5. Remove filler plug (See Figure ZZ).
6. Add oil into the filler plug hole until visual 2" below hole.

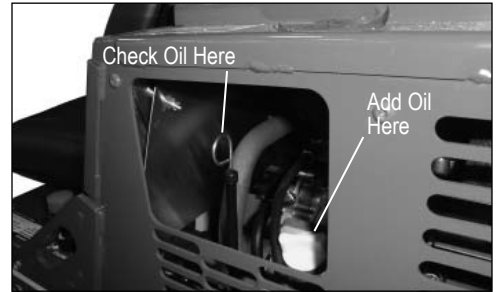


FIG. AB

HYDRAULIC CYLINDER CHANGE OUT

1. Disconnect machine from power.
2. Disconnect cylinder lines. Have a container ready to catch oil from lines.
3. Remove cylinder securing hexhead bolt from lower cutting head support.
4. Remove clips and pin from cylinder and slide plate.
5. Remove cylinder upper pin.
6. Remove cylinder.

ENGINE OIL CHANGE OUT

SEE ENCLOSED KAWASAKI MANUAL

To Check engine fluid level, check dip stick on engine (see Figure AB). Engine holds 1 quart of oil. Improper fluid level will cause engine damage.

ENGINE CHANGE OUT

1. Disconnect motor from power.
2. Lift hood and secure in place.
3. Remove cap from engine oil hose. Drain.
4. Remove engine oil filter.
5. Replace cap & new filter. Refill with new engine oil.



CAUTION: LET ENGINE COOL BEFORE ANY MAINTENANCE. FAILURE TO DO SO COULD CAUSE SERIOUS BODILY INJURY.

HOSE CHANGE OUT

To Remove or Change A Hose

1. Disconnect machine from power.
2. Remove hood.
3. Using proper wrench size, remove hose from fitting.
4. When replacing, make sure O-ring is properly seated on hose fitting.

FOOT PEG

To Remove or Replace Foot Peg

1. Insert a socket wrench into foot peg and secure bolt head.
2. Remove nut and washer.
3. Remove bolt and foot peg.
4. Replace foot peg before operating machine. DO NOT use machine without foot pegs.

Machine Maintenance



FIG. AC

PUMP CHANGE OUT

1. Lift and secure hood.
2. Disconnect hydraulic lines.
3. Remove two 3/8"-16x1 pump bolts.
4. Remove pump by pulling pump straight out from pump motor.

VALVE CHANGE OUT

1. Disconnect machine from power (charger or battery).
2. Lift hood and secure in place.
3. Remove hoses from valve body. Have a container ready to catch leakage from lines.
4. Take notice of angle of valve fittings.
5. Remove two 1/4" bolts securing valve body.

WHEEL MOTOR CHANGE OUT

1. Disconnect machine from power.
2. Block up machine to remove wheel. See wheel changing below.
3. Remove wheel.
4. Remove oil lines from wheel motor. A small amount of oil will run out of the lines. Drain into a container. Wipe up spills immediately.
5. Remove four 1/2" wheel motor securing nuts.
6. Pull out on wheel motor to remove.

WHEEL CHANGING (FIGURE AC)

1. Jack machine up by pushing cylinder lift forward to lower and adjust the angle of the cutting head to raise machine.
2. Place blocks under Forklift Cups on the side of the machine that wheel is being changed.
3. Take Caution: Make sure machine is supported properly or serious injury could occur.
4. Let cylinder down resting machine on blocks allowing rear wheel to be lifted off the floor.
5. Remove five 1/2" lug nuts with an extended arm wrench, remove wheel.
6. Replace wheel.
7. Replace five lug nuts and tighten, making sure lug nuts are very tight.
8. Raise cylinder to raise machine off of blocks. Remove blocks and lower machine.
9. Repeat to other side if necessary.

Machine Maintenance

CHANGING FILTER (FILTER SHOULD BE REPLACED YEARLY)

1. Place pan or rag below filter to catch excess hydraulic fluid.
2. Unscrew filter by hand or with wrench.
3. Use excess hydraulic fluid to lubricate seal on new filter.
4. Hand tighten replacement filter.

Do not over tighten filter, should only be hand tightened.

CHANGING ENGINE AIR FILTER

See enclosed Kawasaki Manual

ENGINE MAINTENANCE

See enclosed Kawasaki Manual

SWITCHES

There are two switches:

- On (Start) Switch
- Seat Switch

Do not defeat switches



FIG. AD

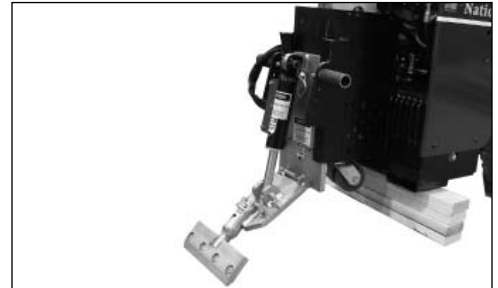


FIG. AE



CAUTION: THE BACKUP BEEPER IS ON THE MACHINE FOR SAFETY. IT IS IMPORTANT TO KEEP IT IN GOOD WORKING CONDITION. FAILURE TO DO SO COULD CAUSE BODILY INJURY.

SEAT REPLACEMENT

1. Remove four (4) button hexhead screws on each side of the hood (4 times).
2. Slightly raise seat plate & unplug wire harness.
3. Lift hood off.
4. Remove seat.
5. To replace seat, set seat on top of hood.
6. Replace the four 5/16 button hexhead screws from underneath the hood.
7. Firmly tighten.
8. Reconnect back-up beeper and seat switch wires.
9. Replace hood and screws.

CASTER MAINTENANCE

1. Keep clean and free of debris, make sure it can move freely.
2. Give a shot of grease in grease zerc on caster every six months to keep moving freely.
3. To remove caster, machine will need to be raised. Push the cylinder lift lever forward to lower and adjust the angle of the cutting head to jack up the machine (See Figure AD). Block up machine (See Figure AE). Remove four bolts, pull caster off, clean/replace as needed.
4. Replace caster.
5. Replace and firmly tighten the four bolts.
6. Lower the machine.

NOTE: A SPACER IS NEEDED WITH CASTER WHEN USING AN 18 INCH WHEEL.

Machine Maintenance

DEBRIS DEFLECTOR (#5200-258) MOUNTING INSTRUCTIONS



FIG. AF

1. Insert and secure a cutting head, making sure cutting head is all the way in.
2. If there are holes on your lower cutting head support, place debris deflector under the lower cutting head support and bolt in place.
3. If there are not holes on the lower cutting head support, place debris deflector on the lower cutting head support, measuring a 1" clearance between the cutting head and the front of the debris deflector. This clearance will reduce a "pinch point".
4. Secure with C-clamps.
5. Mark the holes from the debris deflector on the lower cutting head support.
6. Either drill a 1/2" hole on each mark and secure debris deflector with a bolt and lock nut **OR** drill a 27/64" hole and tap 1/2-13.
7. Firmly secure debris deflector under the cutting head.

Troubleshooting Guide

Problem	Cause	Solution
1. Scraper does not work when pump is generating pressure.	a. Severe blockage in wheel drive motor hoses b. Wheel drive motors defective	a. Check hoses for blockage and replace hose if necessary b. Call National service center
2. Hoses are worn.	a. Hoses rubbing on components b. Hose has been exposed to poor environmental conditions	a. Replace and protect hose b. Replace hose and protect equipment from poor conditions
3. Machine makes an unusually loud hissing or whistling noise.	a. Fluid is passing over relief valves b. Air in hydraulic circuit	a. If noise is continuous, call National service center b. See Troubleshooting 7 & 9
4. Oil deposits are evident on the inner sides of the driving wheels.	a. The shaft seals on the wheel motors worn out b. Hose fittings are loose	a. Have shafts seals replaced by a specialist b. Tighten hose fitting. Replace hose or fitting if necessary
5. The machine has no power with the engine running at 3500 rpm.	a. Check the valve adjustment b. Check hoses for leaks	a & b. Contact National service center immediately. Do not operate in this condition.
6. The scraper does not react when the motion control joystick is actuated.	See possible cause 5a and 5b	See remedy solution 5a and 5b
7. The hydraulic oil is very cloudy. Excessive air in the circuit can cause severe damage to pump. Stop machine and repair immediately!	a. Water has entered the hydraulic tank b. Oil is contaminated with dirt c. Air has entered the circuit	a. Repair tank if necessary. Drain and clean tank thoroughly. b. Drain and clean tank thoroughly. Change oil. c. Contact national service center.
8. Excessive amount of oil on the chassis.	a. Outside oil spilled on chassis b. Loose hose connections c. Loose tank fittings d. Low fluid level	a. Clean machine thoroughly and see if oil returns b. Check for loose hoses c. Check for loose fittings d. Check fluid level and replace
9. Hydraulic oil and/or oil foam leaking from the oil tank. Excessive air in the circuit can cause severe damage to piston pumps. Stop machine and repair immediately!	a. Oil level is too high b. Oil level is too low c. Vent in return filter blocked d. Air getting into hydraulic circuit	a. Drain tank to correct level b. Fill tank to correct level c. Check for blockage d. Check all suction lines. Tighten all hose connections and fittings.
10. Engine dies or cuts out.	a. Fuel tank is empty b. Oil is low c. Operator is not seated properly	a. Change or fill fuel tank b. Fill oil to proper level c. Position on seat correctly

Troubleshooting Guide (Cont.)

Problem	Cause	Solution
11. Red ignition light stays on.	a. Oil is Low. b. Machine is overheating.	a. Fill engine oil to proper level. b. Let engine cool. Add coolant to proper level.
12. Machine doesn't start.	a. Machine needs to be primed.	a. Press primer button once and restart machine.

Complete Parts List

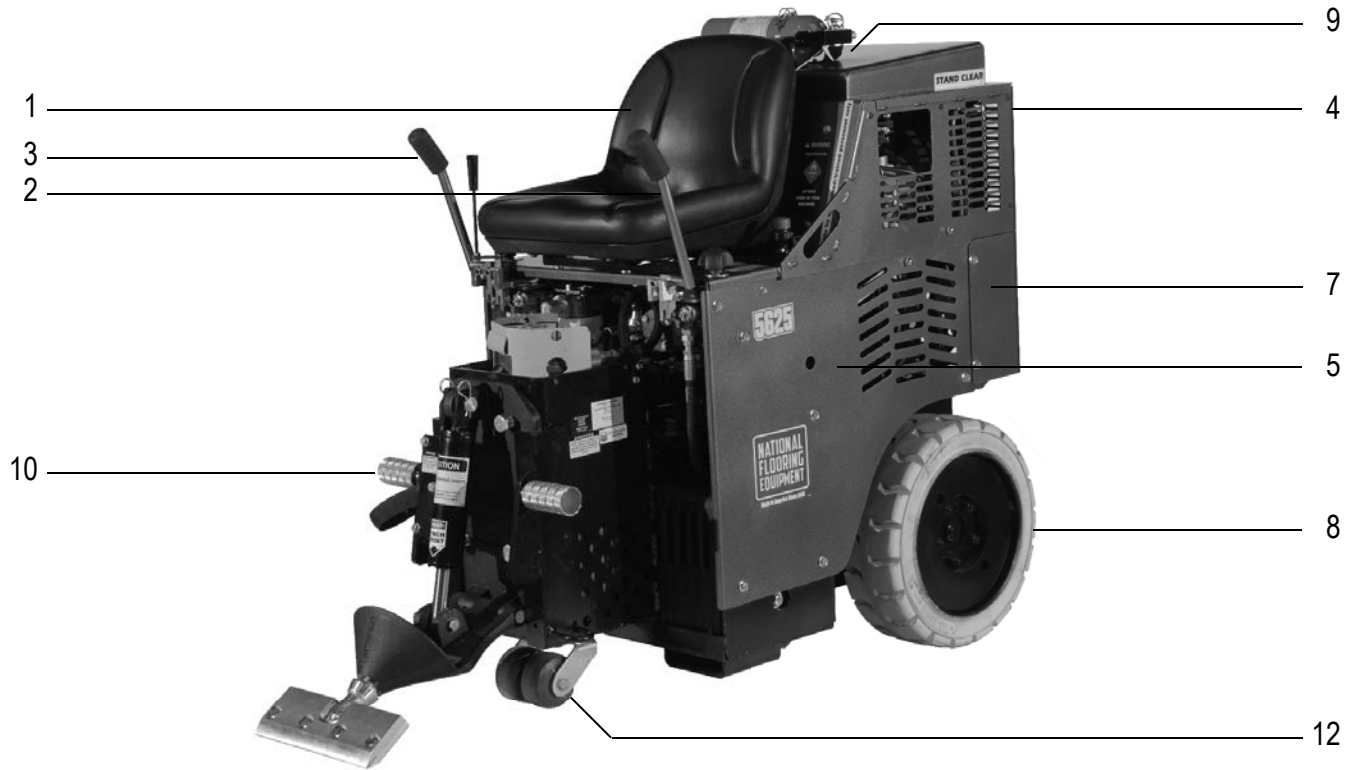
PART#	DESCRIPTION	QTY	PART#	DESCRIPTION	QTY
1	70602 INSTRUCTION MANUAL TUBE	1	54	400182 MOTORPOD, 25HP, ASSEMBLY	1
2	70603 INSTRUCTION TUBE CAP	1	55	400190 EXHAUST, COMPLETE	1
3	70651 VALVE BODY PLUG	4	56	400327 HANDLE RUBBER COVER	2
4	70951 LOVEJOY COUPLER LO 90 DIN, 9T	1	57	401429 PIN, CUTTING HEAD	1
5	70953 SPIDER (NOT SHOWN)	1	58	401567 SLIDE PLATE, DUAL LIFT, CAST	1
6	70954 LOVEJOY COUPLER LO 95 X 1¼	1	59	401568 SUPPORT, TOOLING CARRIER, CAST	1
7	72801 1/4" 90° FITTING	2	60	402001 NATIONAL LABEL, LARGE	2
8	72816 3/8 " 90° PUMP FITTING	2	61	402003 NATIONAL LABEL, SMALL	1
9	73008 1/4-20 NYLON LOCK NUT	2	62	402012 5625 STOCK NUMBER LABEL	2
10	73020 1/4-20 X 5/8 WIZLOCK BOLT	3	63	400191-1 EXHAUST, MUFFLER	2
11	73021 1/4-20 X 2¼ HEXHEAD CAP SCREW	2	64	401560-SV PANEL, SIDE, RIGHT, SILVER VEIN	1
12	73047 1/4 X 1 WOODRUFF KEY	1	65	401561-SV PANEL, SIDE, LEFT, SILVER VEIN	1
13	73131 3/32 X 1¼ KOTTER PIN	2	66	401562-SV WRAP, REAR, LOWER, SILVER VEIN	1
14	73201 3/8-16 X 1 HEXHEAD CAP SCREW	1	67	401563-SV HOOD, RIDE-ON, SILVER VEIN	1
15	73202 3/8 INTERNAL LOCK WASHER	6	68	5110-111 SEAT	1
16	73203 3/8 SAE FLAT WASHER	2	69	5110-114-2 WHEEL MOTOR FITTING	4
17	73204 3/8 SPLIT LOCK WASHER	2	70	5110-115 SINGLE SPOOL CONTROL	1
18	73207 3/8-16 NYLON LOCK NUT	2	71	5110-116 DOUBLE SPOOL CONTROL	1
19	73213 3/8-16 X 3/4 BUTTON HEAD CAP SCREW	3	72	5110-117 WHEEL HUB	2
20	73227 3/8-24 X 1 SET SCREW	3	73	5110-117-2 HUB NUT	2
21	73235 3/8-24 JAMB NUT	3	74	5110-180 FOOT PEG	2
22	73238 3/8-16 X 1½ HEXHEAD CAP SCREW	2	75	5110-207 SWITCH, SEAT	1
23	73308 5/16-18 X 3/4 BUTTON HEAD CAP SCREW	2	76	5110-218 BACK-UP BEEPER SWITCH	1
24	73320 5/16-18 X 2 SOCKET HEAD CAP SCREW	1	77	5110-237 SUCTION FILTER SCREEN	
25	73321 5/16-18 X 3½ SOCKET HEAD CAP SCREW	1	78	5110-250 CYLINDER	1
26	73322 5/16-18 NYLON LOCK NUT	3	79	5110-251 CYLINDER CONNECTING ROD	1
27	73324 5/16-18 X 3¼ SOCKET HEAD CAP SCREW	1	80	5110-267 CYLINDER LINE HOSES W/ SHEATH	1
28	73333 5/16-18 X 1½ SOCKET HEAD CAP SCREW	3	81	5110-268 STRAIGHT VALVE FITTING	2
29	73342 5/16-18 X 5 HEXHEAD CAP SCREW	2	82	5110-271 LEVER BRACKET	1
30	73402 NUT, NYLOCK 1/2-13	1	83	5110-272 CYLINDER LIFT LEVER ONLY	1
31	73403 1/2 SPLIT LOCK WASHER	1	84	5110-404 REAR WEIGHT	1
32	73406 1/2-13 X 1-1/4 HEXHEAD CAP SCREW	1	85	5200-116 BACK-UP BEEPER ASSEMBLY	1
33	73408 3/4-10 X 1 1/2 HEXHEAD BOLT G8 ZINC	4	86	5200-194 DOUBLE WHEEL CASTER ASSEMBLY (GREY)	1
34	73410 1/2-13 X 3½ HEXHEAD BOLT	1			
35	73414 1/2-13 X 7 HEXHEAD BOLT	1	87	5200-194A REPLACEMENT WHEEL ONLY (GREY)	2
36	73430 1/2-20 NYLON LOCK NUT	10	88	5200-1G DOUBLE PUMP GASKET	1
37	73435 ½-13 X 1-1/2 HEXHEAD BOLT, GR. 8	4	89	5200-261 WHEEL MOTOR LINE	2
38	73526 SAE 5/8 FLAT WASHER	1	90	5200-604 FILTER BLOCK	1
39	73536 CYLINDER CLIP	2	91	5200QL-11-LH-W SINGLE SPOOL VALVE	1
40	74425 10/32 K-LOCK NUT	2	92	5200QL-11-RH-W DOUBLE SPOOL VALVE	1
41	74513 6-32 X 3/4 PHILLIPS PANHEAD MACHINE SCREW	2	93	5200QL-13 VALVE LEVER SPACER	1
42	74701 3/4" ID GROMMET	2	94	5200QL-14 BACKUP BEEPER PIN ASSEMBLY	1
43	74702 3/8" IC GROMMET	2	95	5200QL-27 MAIN BASE (NOT SHOWN)	1
44	74854 FRONT WEIGHT INDIVIDUALLY-36 LB.	10	96	5600-107 MUFFLER TAPE 2"	1
45	75005 FIRE EXTINGUISHER	1	97	5600-108 MUFFLER CLAMP 6"	1
46	75006 BRACKET	1	98	5600-121 BATTERY, 12 VOLT, 55 AGM	1
47	75007 LAPEL CARBON MONOXIDE MONITOR	1	99	5600-13 BATTERY HOLD DOWN	1
48	75008 LABEL CARBON MONOXIDE CLIP	1	100	5600-21 HANDLE WELDMENT, LEFT	1
49	80058 BREATHER W/ 6" DIP STICK	1	101	5600-22 HANDLE WELDMENT, RIGHT	1
50	400130 KAWASAKI MOTOR	1	102	5600-25 PROPANE TANK HOLD DOWN BRACKET	1
51	400132 BOLT, HEX HEAD, 1/2-13 X 4, GRADE 8	1	103	5600-300 18" WHEEL RIM & TIRE	1
52	400133 HIGH SPEED HYD. WHEEL MOTOR	2	104	5600-34 ENGINE BASE WELDMENT	1
53	400179 HOUSING, BELL PUMP MOUNT	1	105	5600-53 REGULATOR BRACKET	1
			106	5600-56 PROPANE HOLD DOWN BOLT	1

Complete Parts List

PART#	DESCRIPTION	QTY	PART#	DESCRIPTION	QTY
107	5600-57 SAFETY SHUT OFF BRACKET	1	125	L08-1 STAND CLEAR LABEL	2
108	5600-58 VALVE LEVER - SHORT	1	126	L106 PINCH POINT LABEL	3
109	5700-36 HOSE GUARD	2	127	L118 OPERATOR MUST BE SEATED LABEL	2
110	5700-54 HANDLE GRIP SLEEVE	2	128	L137 DISARM MACHINE LABEL	2
111	5700-64 FILTER FITTING	1	129	L142 TRAILER HITCH LABEL	1
112	5700-65 FILTER	1	130	L165 LARGE RIDE-ON LABEL W/BLADE INFO	1
113	5700-66 HEAD	1	131	L223 PATENT NUMBER LABEL	1
114	5700-67 TANK PLUG	1	132	L256 AIR FILTER LABEL	2
115	5700-70 T-FITTING	1	133	L314 LP GAS LABEL	1
116	5700-71 HOSE (RETURN, RIGHT)	1	134	L315 CARBON MONOXIDE LABEL	1
117	5700-75 HOSE (PRESSURE, LEFT-12.5)	1	135	L318 DO NOT TOUCH LABEL	1
118	5700-76 HOSE (PRESSURE, RIGHT-25)	1	136	L319 BURN HAZARD LABEL	1
119	5700-77 SUCTION LINE	2	137	L33B CAUTION MOVING PARTS LABEL	1
120	6280-118 FITTINGS	2	138	L33C INSTRUCTION MANUAL LABEL	1
121	6280-162G TANK MAGNET (NOT SHOWN)	1	139	L33D AUTHORIZED PERSONNEL ONLY LABEL	1
122	7050-P PROPANE TANK (1 IN MACHINE & 1 SPARE)	2	140	L66 CAUTION LABEL	1
123	70905-D7 DOUBLE GEAR PUMP	1	141	L95F FLUID LEAK LABEL	2
124	L01 CAUTION 3 X 1/2	1	142	L98 BLADE LIFT LABEL	1

Parts List and Diagrams

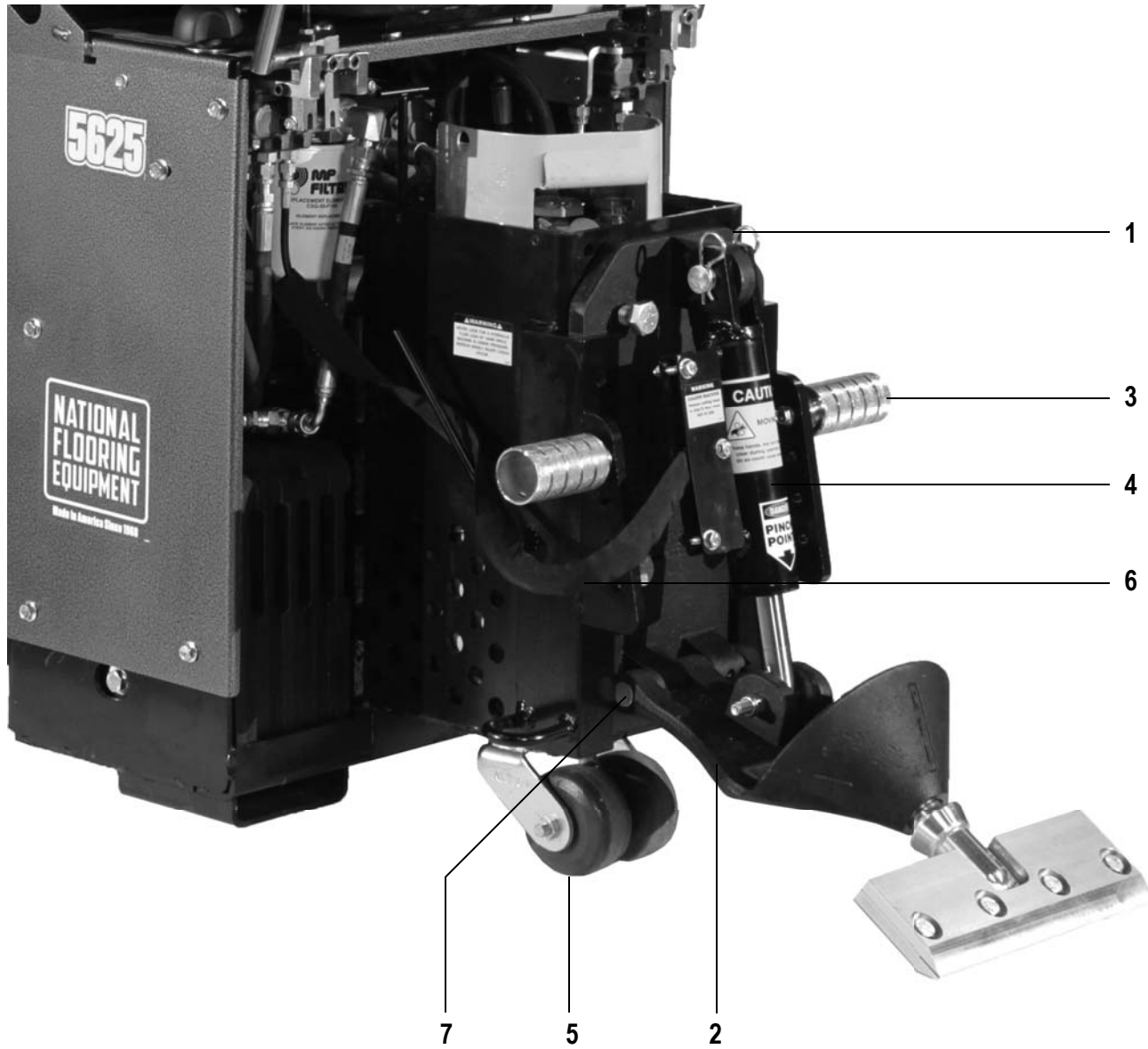
EXTERNAL PARTS



PART#	DESCRIPTION	QTY	PART#	DESCRIPTION	QTY
1	5110-111 SEAT	1	8	5600-300 18" WHEEL RIM & TIRE	1
2	5600-21 HANDLE WELDMENT, LEFT	1	9	70602 INSTRUCTION MANUAL TUBE	1
3	5600-22 HANDLE WELDMENT, RIGHT	1	10	5110-180 PEG, FOOT	2
4	401563-SV HOOD, RIDE-ON, SILVER VEIN	1	11	5110-207 SWITCH, SEAT	1
5	401561-SV PANEL, SIDE, LEFT, SILVER VEIN	1	12	5200-194 CASTER, DOUBLE GREY	1
6	401560-SV PANEL, SIDE, RIGHT, SILVER VEIN	1			
7	401562-SV WRAP, REAR, LOWER, SILVER VEIN	1			

Parts List and Diagrams

EXTERNAL PARTS



PART#	DESCRIPTION	QTY	PART#	DESCRIPTION	QTY		
1	401567	SLIDE PLATE CAST	1	5	5200-194	DOUBLE WHEEL CASTER ASSEMBLY (GRAY)	1
2	401568	LOWER CUTTING HEAD SUPPORT	1	6	5700-36	HOSE GUARD	2
3	5110-180	FOOT PEG	2	7	401429	PIN, LOWER CUTTING HEAD SUPPORT	1
4	5110-250	CYLINDER	1				

Parts List and Diagrams

PART#	DESCRIPTION	QTY
1 5200-116	BACK-UP BEEPER ASSEMBLY	1

BACKUP BEEPER ASSEMBLY



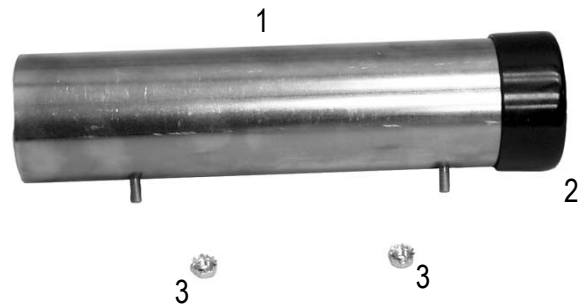
PART#	DESCRIPTION	QTY
1 5110-218	BACK-UP BEEPER SWITCH	1
2 74513	6-32 X 3/4 PHILLIPS PANHEAD MACHINE SCREW	2

HANDLE SWITCH (FOR BEEPER)



PART#	DESCRIPTION	QTY
1 70602	INSTRUCTION MANUAL TUBE	1
2 70603	INSTRUCTION TUBE CAP	1
3 74425	10/32 K-LOCK NUT	2

INSTRUCTION TUBE PARTS



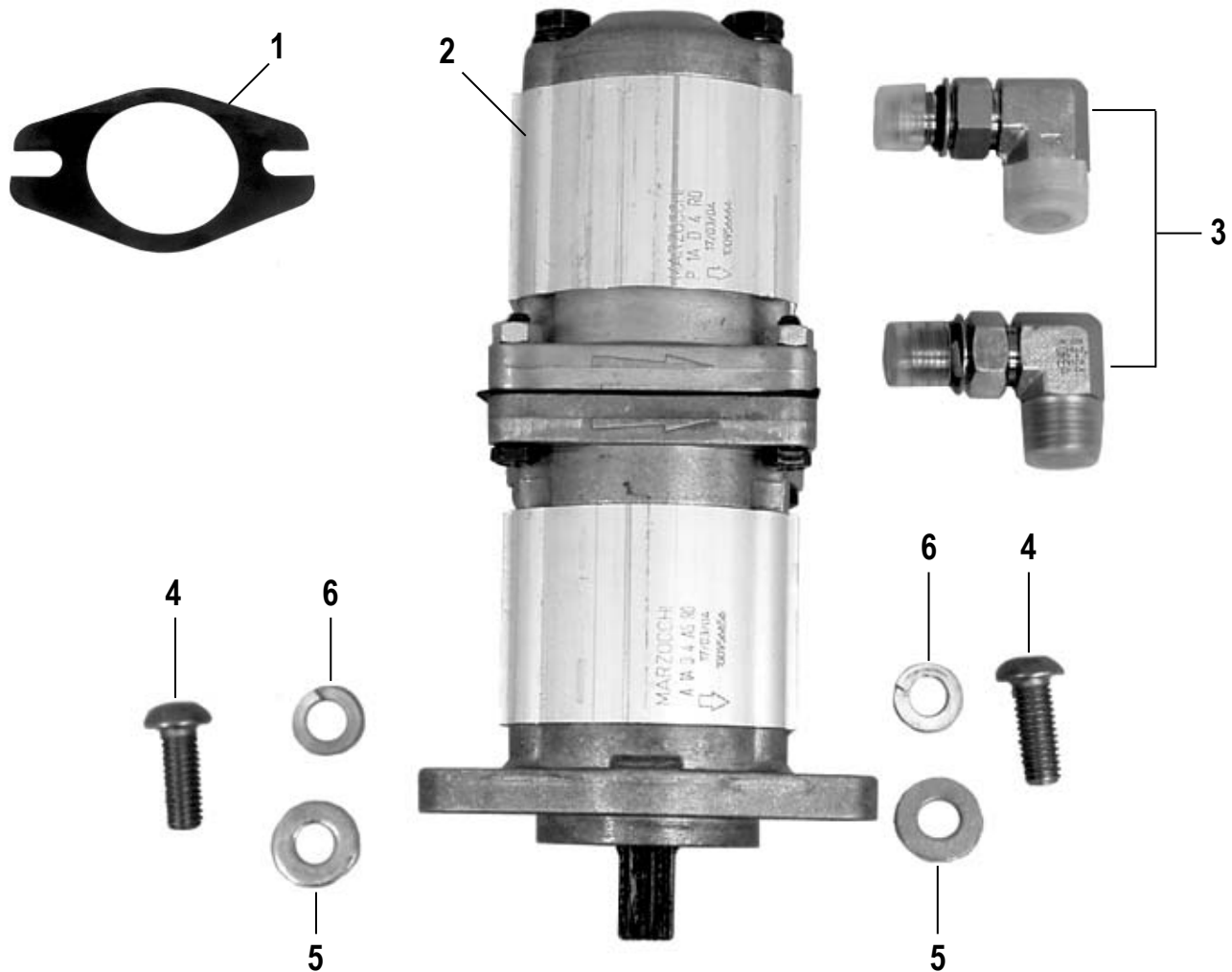
PART#	DESCRIPTION	QTY
1 75005	FIRE EXTINGUISHER	1
2 75006	BRACKET	1

FIRE EXTINGUISHER PARTS



Parts List and Diagrams

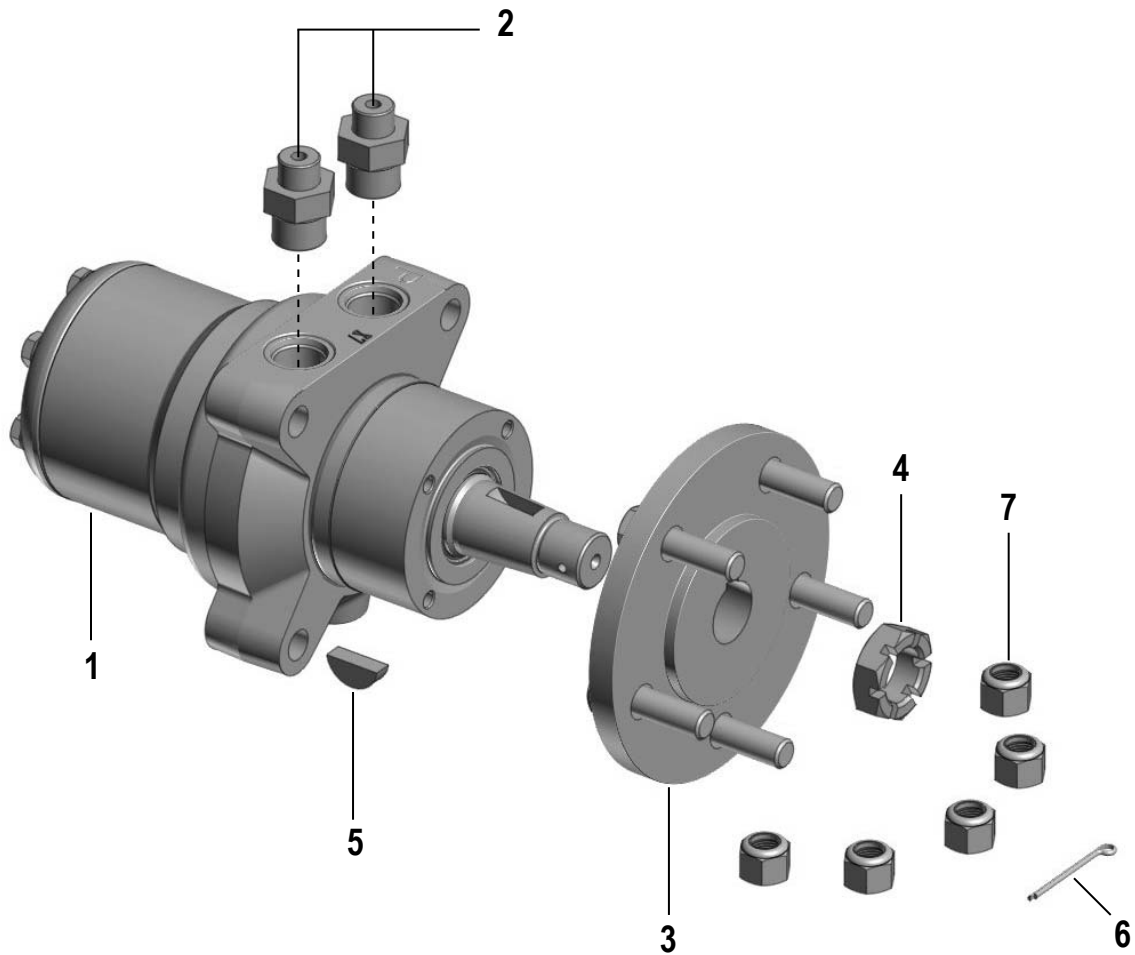
GEAR PUMP PARTS



PART#	DESCRIPTION	QTY	PART#	DESCRIPTION	QTY		
1	5200-1G	DOUBLE PUMP GASKET	1	5	73203	3/8 SAE FLAT WASHER	2
2	70905-D7	DOUBLE GEAR PUMP	1	6	73204	3/8 SPLIT LOCK WASHER	2
3	72816	3/8 " 90° PUMP FITTING	2	7	6280-118	FITTINGS	2
4	73201	3/8-16 X 1 HEXHEAD SCREW	2				

Parts List and Diagrams

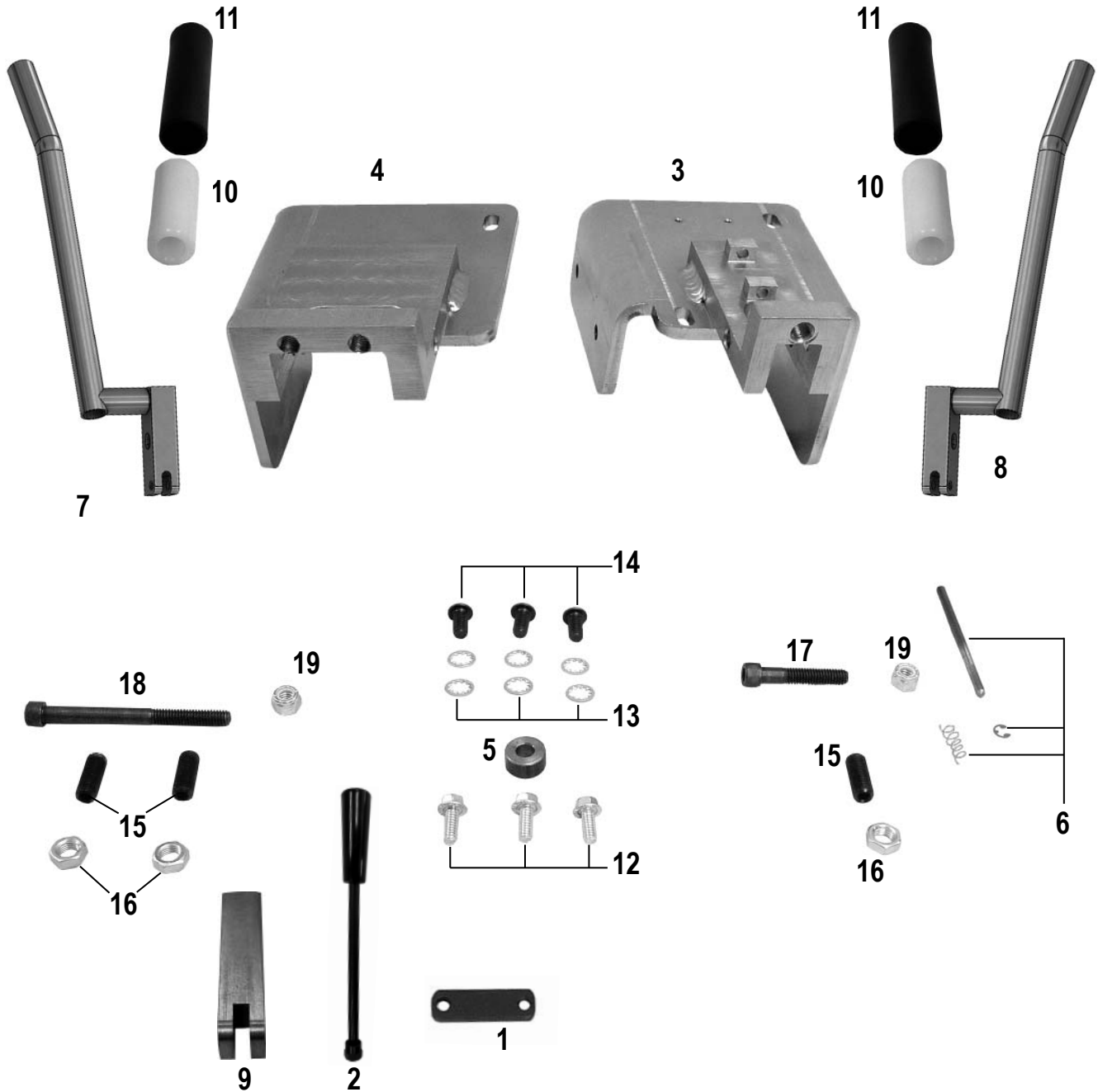
WHEEL PARTS



PART#	DESCRIPTION	QTY	PART#	DESCRIPTION	QTY		
1	400133	HIGH SPEED HYD. WHEEL MOTOR	2	5	73047	1/4 X 1 WOODRUFF KEY	1
2	5110-114-2	WHEEL MOTOR FITTING	4	6	73131	3/32 X 1 1/4 KOTTER PIN	2
3	5110-117	WHEEL HUB	2	7	73430	1/2-20 NYLON LOCK NUT	10
4	5110-117-2	HUB NUT	2				

Control Lever Parts

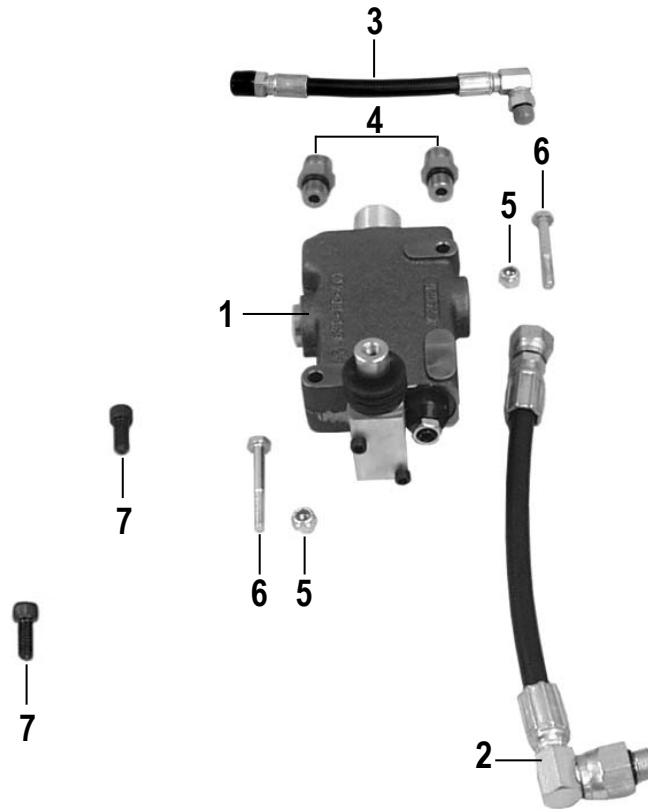
CONTROL LEVER PARTS



PART#	DESCRIPTION	QTY	PART#	DESCRIPTION	QTY
1	5110-271 LEVER BRACKET	1	11	400327 HANDLE RUBBER COVER	2
2	5110-272 CYLINDER LIFT LEVER ONLY	1	12	73020 1/4-20 X 5/8 WIZLOCK BOLT	3
3	5200QL-11-LH-W SINGLE SPOOL VALVE	1	13	73202 3/8 INTERNAL LOCK WASHER	6
4	5200QL-11-RH-W DOUBLE SPOOL VALVE	1	14	73213 3/8-16 X 3/4 BUTTON HEAD CAP SCREW	3
5	5200QL-13 VALVE LEVER SPACER	1	15	73227 3/8-24 X 1 SET SCREW	3
6	5200QL-14 BACKUP BEEPER PIN ASSEMBLY	1	16	73235 3/8-24 JAMB NUT	3
7	5600-21 HANDLE WELDMENT, LEFT	1	17	73320 5/16-18 X 2 SOCKET HEAD CAP SCREW	1
8	5600-22 HANDLE WELDMENT, RIGHT	1	18	73321 5/16-18 X 3/2 SOCKET HEAD CAP SCREW	1
9	5600-58 VALVE LEVER - SHORT	1	19	73322 5/16 NYLON LOCK NUT	2
10	5700-54 HANDLE GRIP SLEEVE	2			

Parts List and Diagrams

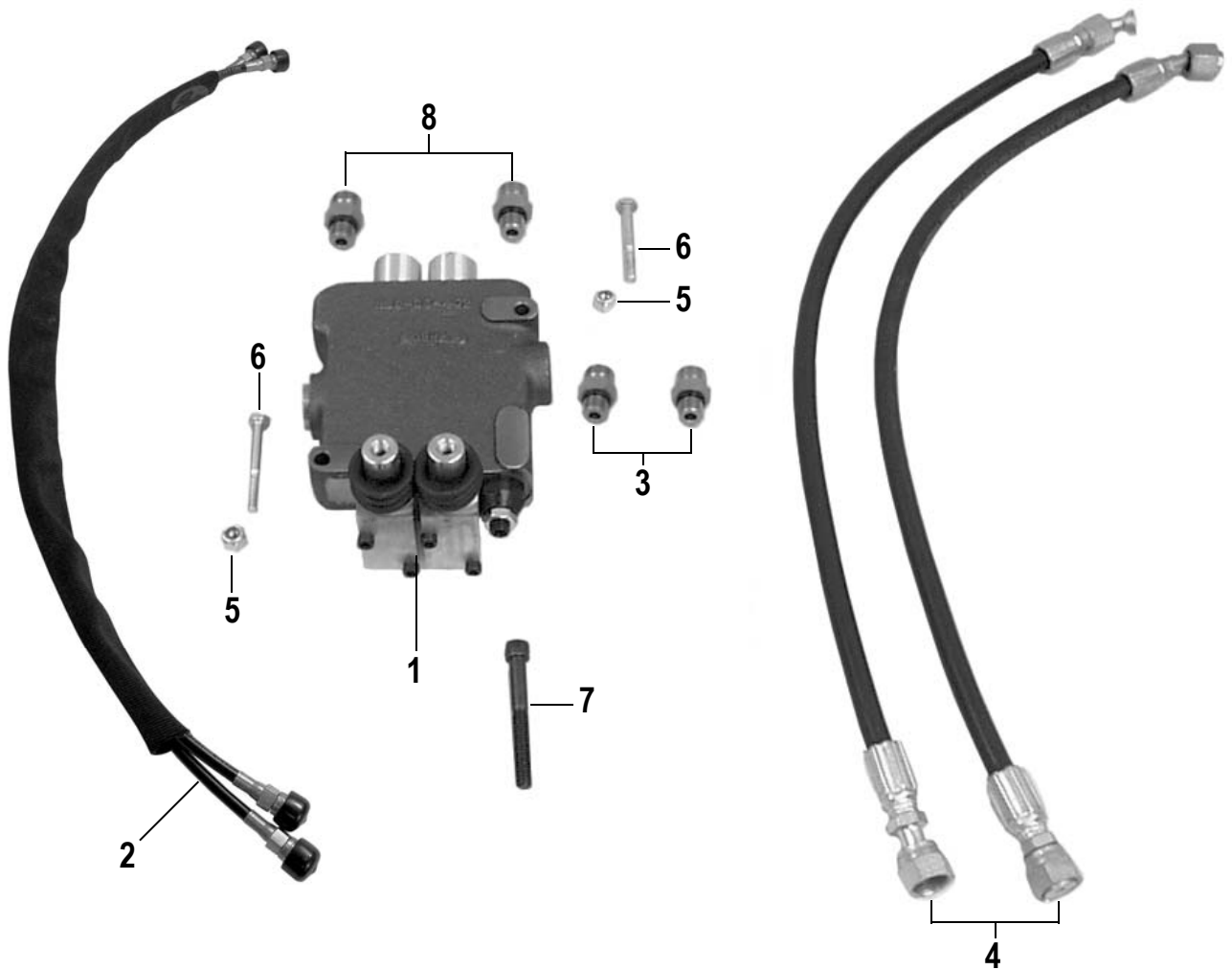
SINGLE SPOOL & HOSE PARTS



PART#	DESCRIPTION	QTY	PART#	DESCRIPTION	QTY		
1	5110-115	SINGLE SPOOL CONTROL	1	6	73021	1/4-20 X 2 1/4 HEXHEAD CAP SCREW	2
2	5200-261	WHEEL MOTOR LINE	2	7	73308	5/16-18 X 3/4 BUTTON HEAD CAP SCREW	2
3	5700-77	SUCTION LINE	2				
4	70651	VALVE BODY PLUG	4				
5	73008	1/4-20 NYLON LOCK NUT	2				

Parts List and Diagrams

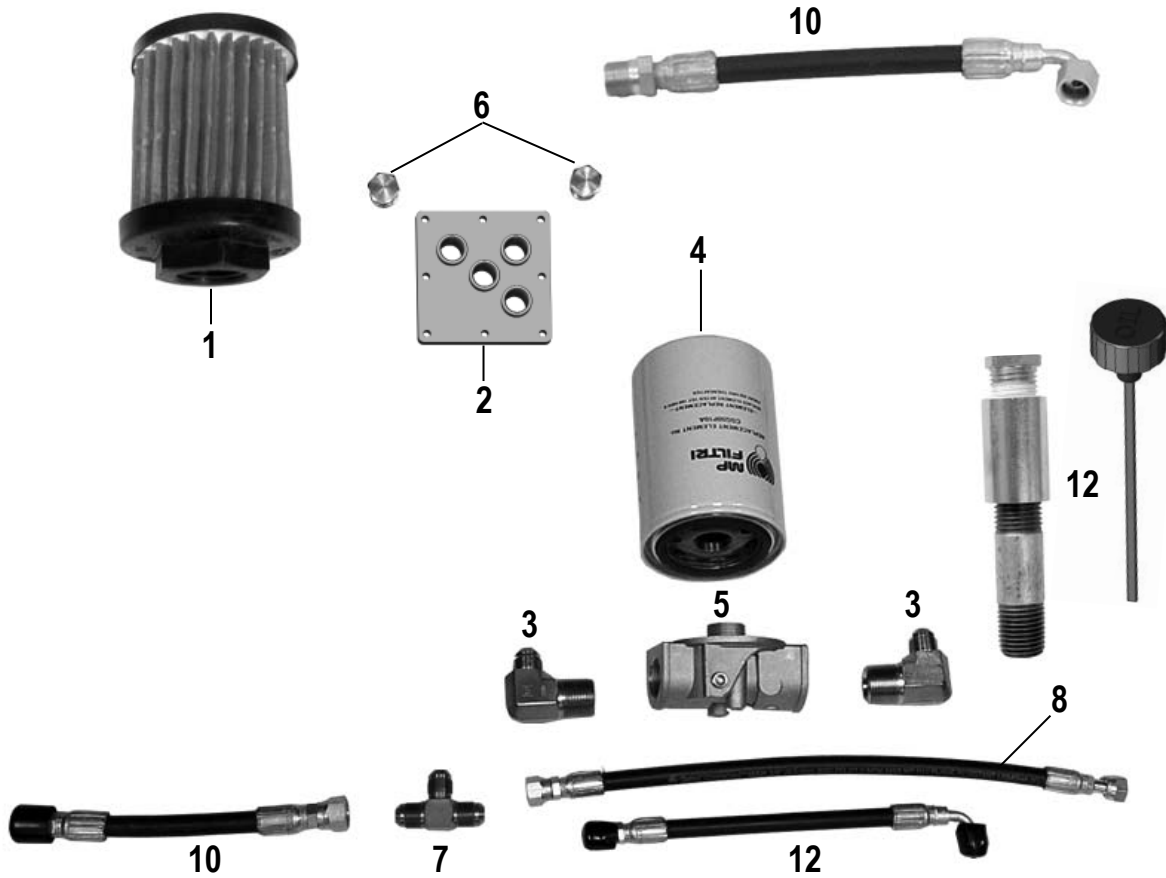
DOUBLE SPOOL & HOSE PARTS



PART#	DESCRIPTION	QTY	PART#	DESCRIPTION	QTY		
1	5110-116	DOUBLE SPOOL CONTROL	1	6	73021	1/4-20 X 2 1/4 HEXHEAD CAP SCREW	2
2	5110-267	CYLINDER LINE HOSES W/ SHEATH	1	7	73324	5/16-18 X 3 1/4 SOCKET HEAD CAP SCREW	1
3	5110-268	STRAIGHT VALVE FITTING	2	8	70651	VALVE BODY PLUG	4
4	5200-261	WHEEL MOTOR LINE	2				
5	73008	1/4-20 NYLON LOCK NUT	2				

Parts List and Diagrams

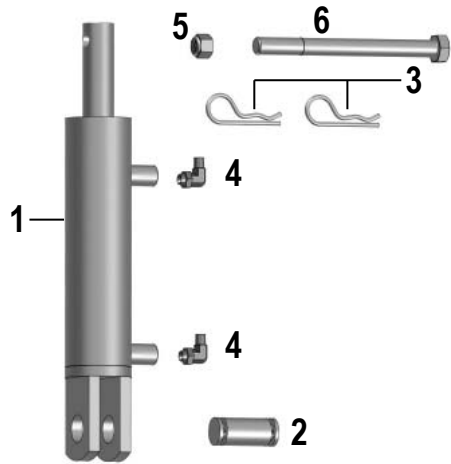
FILTER & TANK PARTS



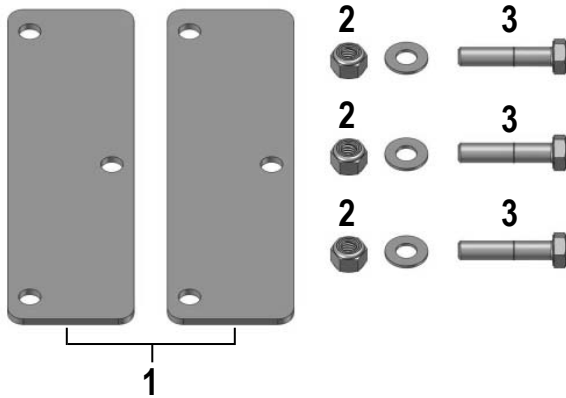
PART#	DESCRIPTION	QTY	PART#	DESCRIPTION	QTY
1	5110-237 SUCTION FILTER SCREEN (INSIDE HYDRAULIC TANK)	1	7	5700-70 T-FITTING	1
2	5200-604 FILTER BLOCK	1	8	5700-71 HOSE (RETURN, RIGHT)	1
3	5700-64 FILTER FITTING	1	9	5700-75 HOSE (PRESSURE, LEFT-12.5)	1
4	5700-65 FILTER	1	10	5700-76 HOSE (PRESSURE, RIGHT-25)	1
5	5700-66 HEAD	1	11	6280-162G TANK MAGNET (NOT SHOWN)	1
6	5700-67 TANK PLUG	1	12	80058 BREATHER W/ 6" DIP STICK	1

Parts List and Diagrams

CYLINDER PARTS



PART#	DESCRIPTION	QTY
1	5110-250 CYLINDER	1
2	5110-251 CYLINDER CONNECTING ROD	1
3	73536 CYLINDER CLIP	2
4	72801 1/4" 90° FITTING	2
5	73402 1/2-13 NYLON LOCK NUT	1
6	73410 1/2-13 X 3 1/2 HEXHEAD BOLT	1

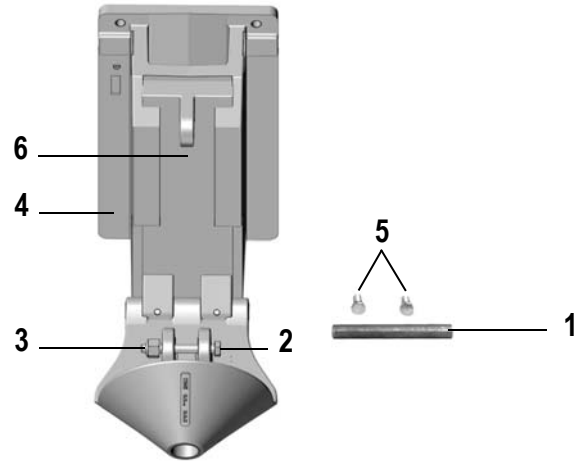


PART#	DESCRIPTION	QTY
1	5700-36 HOSE GUARD	2
2	73322 5/16-18 NYLON LOCK NUT	3
3	73333 5/16-18 X 1 1/2 SOCKET HEAD CAP SCREW	3

Parts List and Diagrams

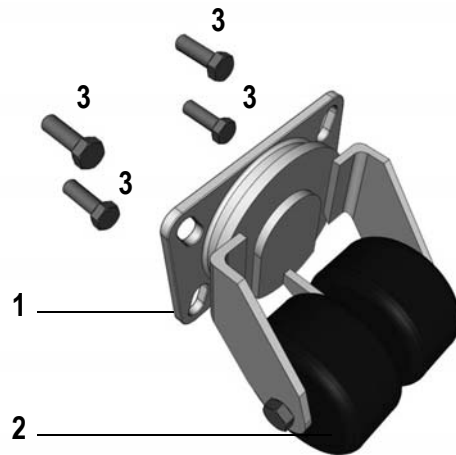
PART#	DESCRIPTION	QTY	
1	401429	PIN, CUTTING HEAD	1
2	400132	BOLT, HEX HEAD, 1/2-13 X 4, GRADE 8	1
3	73402	NUT, NYLOCK 1/2-13	1
4	401568	SUPPORT, TOOLING CARRIER, CAST	1
5	73408	3/4-10 X 1 1/2 HEXHEAD BOLT G8 ZINC	4
6	401567	SLIDE PLATE, DUAL LIFT, CAST	1

SLIDE PLATE/DEFLECTOR PARTS



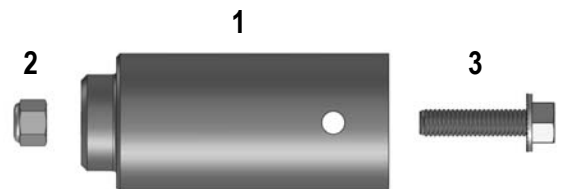
PART#	DESCRIPTION	QTY	
1	5200-194	DOUBLE WHEEL CASTER ASSEMBLY (GREY)	1
2	5200-194A	REPLACEMENT WHEEL ONLY (GREY)	2
3	73435	1/2-13 X 1-1/2 HEXHEAD BOLT, GR. 8	4

CASTER



PART#	DESCRIPTION	QTY	
1	5110-180	FOOT PEG	2
2	73207	3/8-16 NYLON LOCK NUT	2
3	73238	3/8-16 X 1 1/2 HEXHEAD CAP SCREW	2

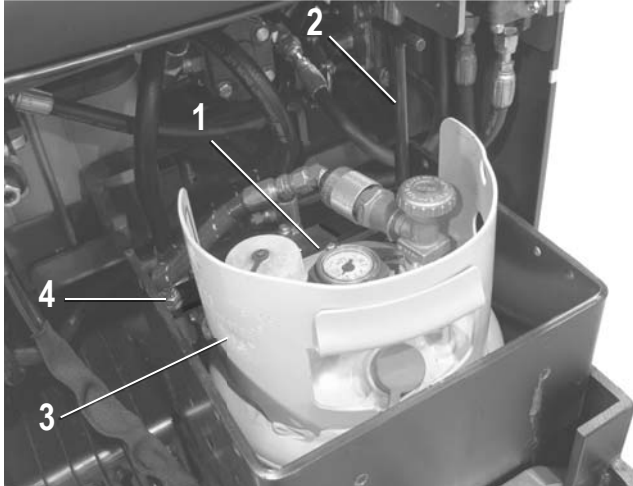
FOOT PEG



Parts List and Diagrams

PROPANE TANK PARTS

	PART#	DESCRIPTION	QTY
1	5600-25	PROPANE TANK HOLD DOWN BRACKET	1
2	5600-56	PROPANE HOLD DOWN BOLT	1
3	7050-P	PROPANE TANK (1 IN MACHINE & 1 SPARE)	2
4	73201	3/8-16 X 1 HEXHEAD CAP SCREW	1



CARBON MONOXIDE MONITOR

	PART#	DESCRIPTION	QTY
1	75007	LAPEL CARBON MONOXIDE MONITOR	1
2	75008	LABEL CARBON MONOXIDE CLIP	1

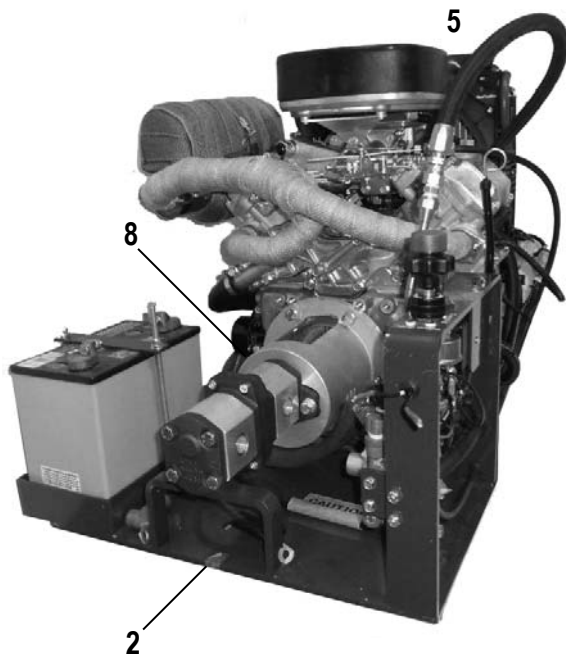


1

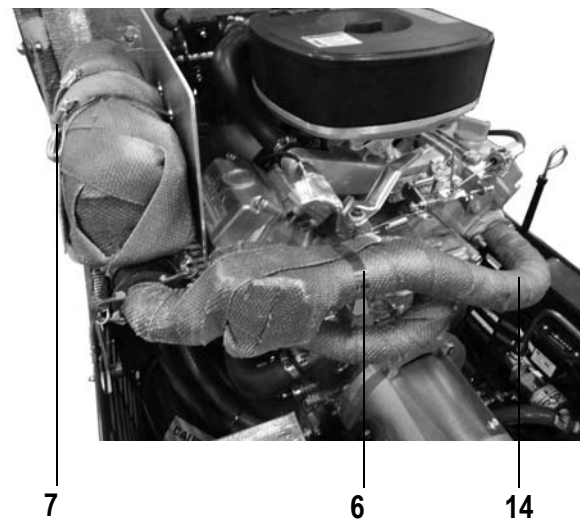
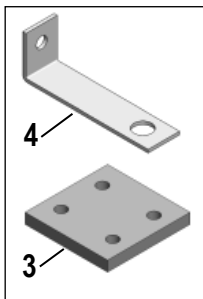
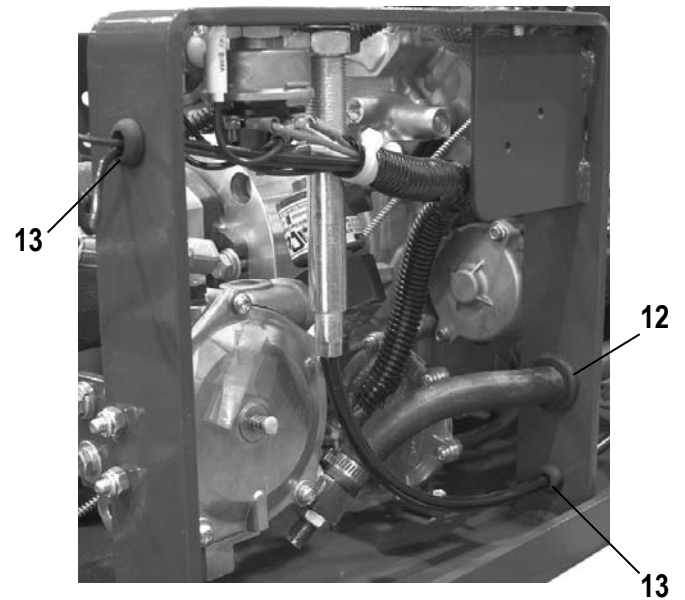


2

Parts List and Diagrams



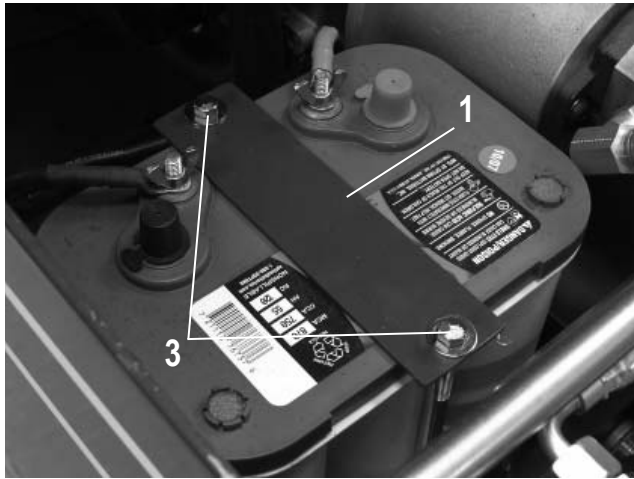
ENGINE



PART#	DESCRIPTION	QTY	PART#	DESCRIPTION	QTY
1	5200QL-27 MAIN BASE (NOT SHOWN)	1	10	70953 SPIDER (NOT SHOWN)	1
2	5600-34 ENGINE BASE WELDMENT	1	11	70954 LOVEJOY COUPLER LO 95 X 1¼	1
3	5600-53 REGULATOR BRACKET	1	12	74701 3/4" ID GROMMET	2
4	5600-57 SAFETY SHUT OFF BRACKET	1	13	74702 3/8" IC GROMMET	2
5	400130 KAWASAKI MOTOR	1	14	400190 EXHAUST, COMPLETE	1
6	5600-107 MUFFLER TAPE 2"	1	15	400191-1 EXHAUST, MUFFLER	2
7	5600-108 MUFFLER CLAMP 6"	1	16	400182 MOTORPOD, 25HP, ASSEMBLY	1
8	400179 HOUSING, BELL PUMP MOUNT	1			
9	70951 LOVEJOY COUPLER LO 90 DIN, 9T	1			

Parts List and Diagrams

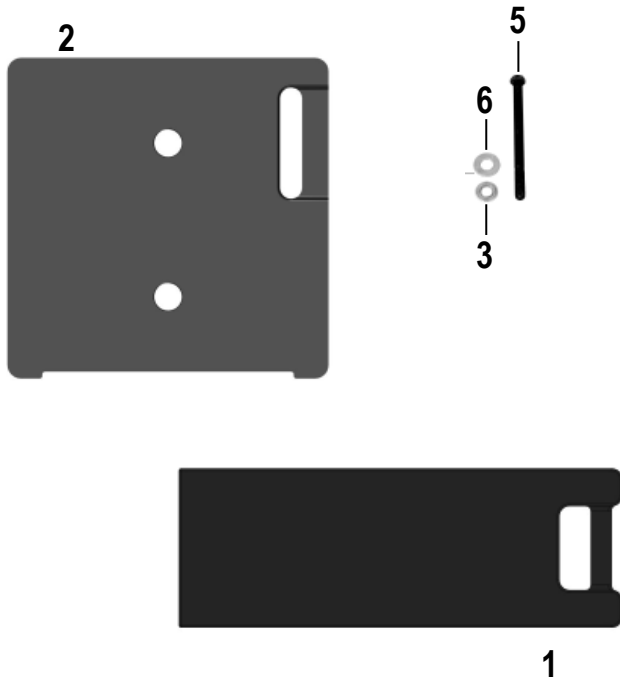
BATTERY



PART#	DESCRIPTION	QTY
1 5600-13	BATTERY HOLD DOWN	1
2 5600-121	BATTERY, 12 VOLT, 55 AGM	1
3 73342	5/16-18 X 5 HEXHEAD CAP SCREW	2



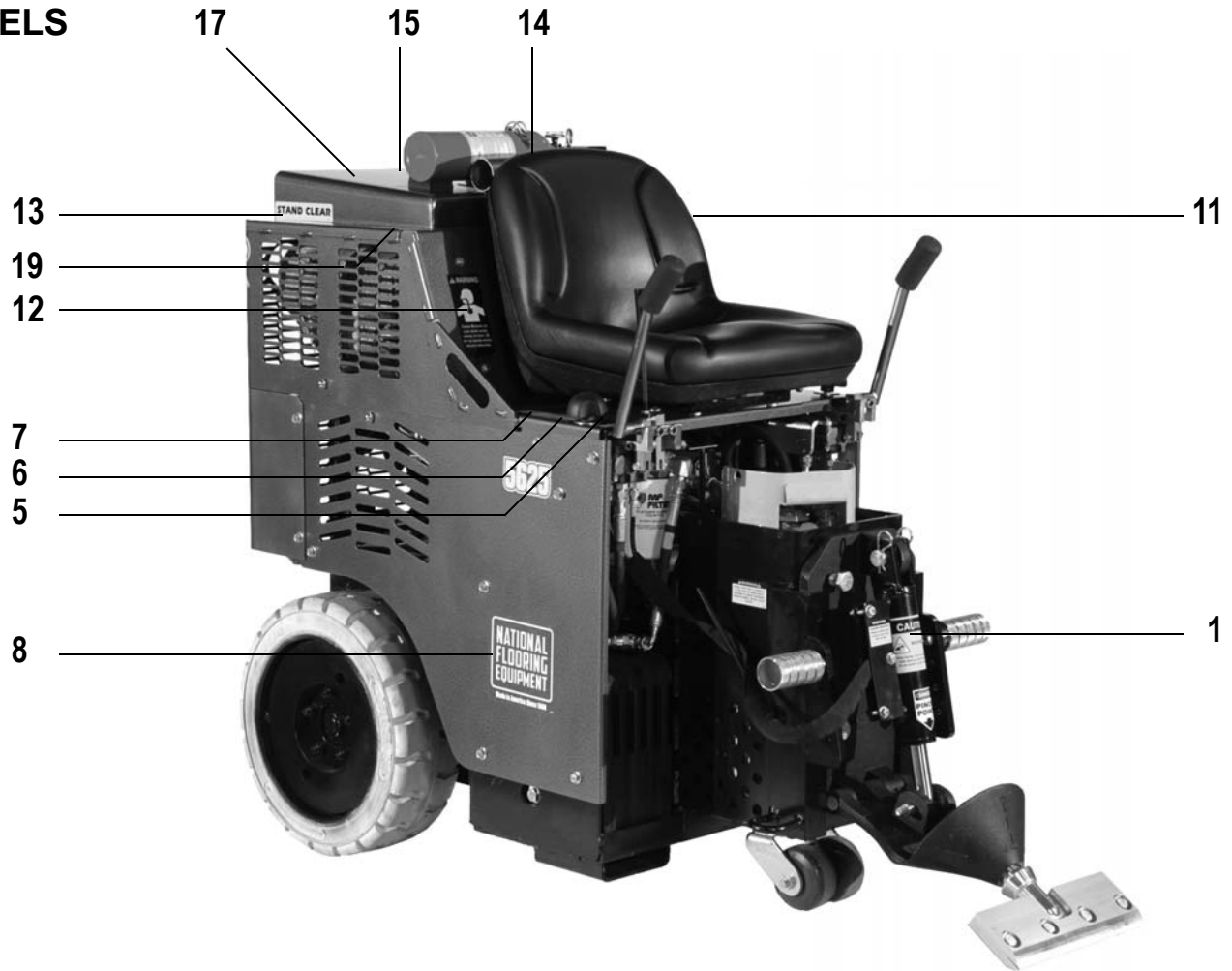
WEIGHTS



PART#	DESCRIPTION	QTY
1 5110-404	REAR WEIGHT	1
2 74854	FRONT WEIGHT INDIVIDUALLY-36 LB.	10
3 73403	1/2 SPLIT LOCK WASHER	1
4 73406	1/2-13 X 1-1/4 HEXHEAD CAP SCREW (NOT SHOWN)	1
5 73414	1/2-13 X 7 HEXHEAD BOLT	1
6 73526	SAE 5/8 FLAT WASHER	1

Parts List and Diagrams

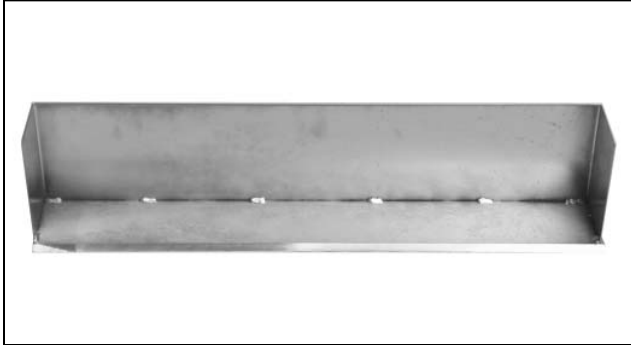
LABELS



PART#	DESCRIPTION	QTY	PART#	DESCRIPTION	QTY
1	L33B CAUTION MOVING PARTS LABEL	1	14	L33C INSTRUCTION MANUAL LABEL	1
2	L33D AUTHORIZED PERSONNEL ONLY LABEL	1	15	L66 CAUTION LABEL	1
3	L95F FLUID LEAK LABEL	2	16	L142 TRAILER HITCH LABEL	1
4	L98 BLADE LIFT LABEL	1	17	L165 LARGE RIDE-ON LABEL W/BLADE INFO	1
5	L106 PINCH POINT LABEL	3	18	402003 NATIONAL LABEL, SMALL	1
6	L118 OPERATOR MUST BE SEATED LABEL	2	19	L256 AIR FILTER LABEL	2
7	L137 DISARM MACHINE LABEL	2	20	L318 DO NOT TOUCH LABEL	1
8	402001 NATIONAL LABEL, LARGE	2	21	L319 BURN HAZARD LABEL	1
9	L223 PATENT NUMBER LABEL	1	22	L01 CAUTION 3 X 1/2	1
10	402012 5625 STOCK NUMBER LABEL	2			
11	L314 LP GAS LABEL	1			
12	L315 CARBON MONOXIDE LABEL	1			
13	L08-1 STAND CLEAR LABEL	2			

Accessories

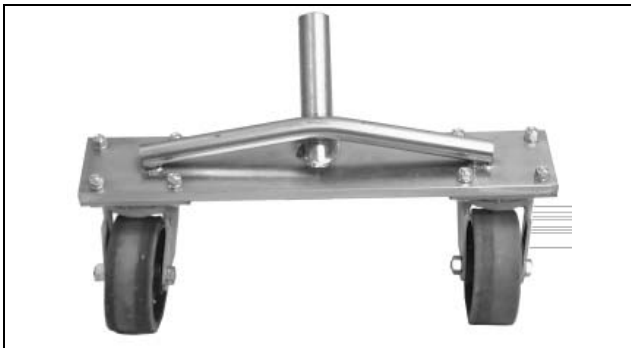
TILE BOX



The Tile Box works for wind rowing and assists for a fast clean-up and collection of tile debris for quick removal. High abrasion alloy for a long lasting edge. Resharpens just like a blade. 5" x 27" x 6" box. Attaches to the #7050-27 Cutting Head (required).

7074 Tile Box

FRONT WHEEL ASSEMBLY

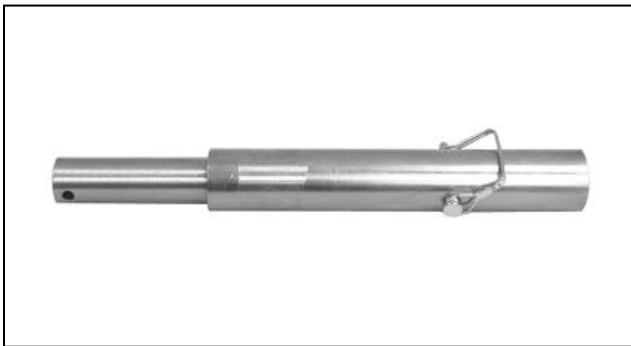


Allows stability and safe transportation over any surface. Easy and quick to attach.

5110-100 Front Wheel Assembly

5110-100W Replacement Wheel Only

CUTTING HEAD EXTENSION



Extension for cutting heads to reach under tight areas.

7050-15 Cutting Head Extension

ARM RESTS



Optional Arm Rests for added comfort. Set includes left and right arm rest and mounting hardware.

400321 Optional Arm Rests Set

Accessories

Vapor tank can hold approximately 14.25 pounds of propane. Includes gauge and fill valve. Designed to withstand high impact.

7050-P Propane Tank

PROPANE TANK

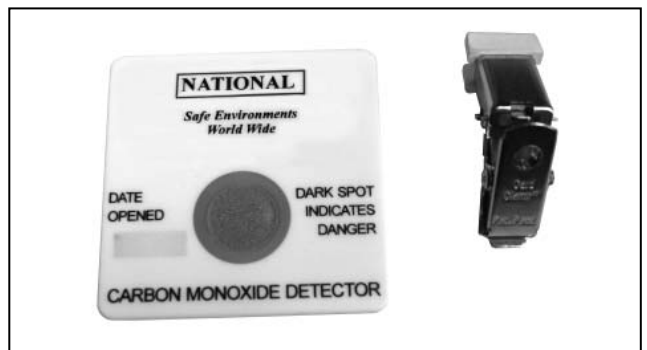


Carbon Monoxide detector badge, convenient to have on the jobsite when CO gas could be present • Can detect as little as 100ppm CO gas at approx. relative humidity range of 33 to 55% • If humidity is very high, it can detect concentrations as low as 20ppm • Presence of CO will change sensor from red to gray/black as concentration levels increase • Once exposed to fresh air, it will return back to red • After opened, lasts approximately 90 days.

75007 Lapel Carbon Monoxide Monitor

75008 Lapel Carbon Monoxide Clip

LAPEL CARBON MONOXIDE CLIP



Monitors the hours of usage.

5700-88 Hour Meter

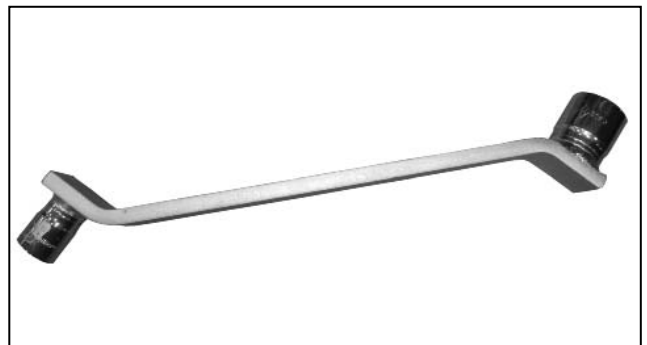
HOURLY METER



70549 Wrench

5600-VI Instruction Video (Not Shown)

ACCESSORIES



Material Safety Data Sheet (MSDS) Information

CHEVRON HD 22 - 68 - HYDRAULIC FLUID

PRODUCT IDENTIFICATION AND COMPANY IDENTIFICATION

Product Number(S): CPS221655, CPS221658, CPS221659
Synonyms: Texaco Rando HD22, Texaco Rando HD 32, Texaco Rando HD 46, Texaco Rando HD 68

Company Information

Chevron Products Company
a division of Chevron U.S.A. Inc.

6001 Bollinger Canyon Road

San Ramon, CA 94583

United States of America

www.chevronlubricants.com

Transportation Emergency Response

CHEMTREC: (800) 424-9300 or (703) 527-3887

Health Emergency

Chevron Emergency Information Center: Located in the USA.

International collect calls accepted.

(800) 231-0623 or (510) 231-0623

Product Information

email: lubemsds@chevron.com

Product Information: 800-LUBE-TEK

MSDS Requests: 800-414-6737

HAZARDOUS INGREDIENTS / IDENTIFY INFORMATION

MATERIALS/COMPONENTS	CAS NUMER	AMOUNT
Highly Refined Mineral Oil (C15 - C50)	mixture	90-100% weight

IMMEDIATE HEALTH EFFECTS

Eye: Not expected to cause prolonged or significant eye irritation.

Skin: Contact with the skin is not expected to cause prolonged or significant irritation. Not expected to be harmful to internal organs if absorbed through the skin. High-Pressure Equipment Information: Accidental high-velocity injection under the skin of materials of this type may result in serious injury. Seek medical attention at once should an accident like this occur. The initial wound at the injection site may not appear to be serious at first; but, if left untreated, could result in disfigurement or amputation of the affected part.

Ingestion: Not expected to be harmful if swallowed.

Inhalation: Not expected to be harmful if inhaled. Contains a petroleum-based mineral oil. May cause respiratory irritation or other pulmonary effects following prolonged or repeated inhalation of oil mist at airborne levels above the recommended mineral oil mist exposure limit. Symptoms of respiratory irritation may include coughing and difficulty breathing.

FIRST AID MEASURES

Eye: No specific first aid measures are required. As a precaution, remove contact lenses, if worn, and flush eyes with water.

Skin: No specific first aid measures are required. As a precaution, remove clothing and shoes if contaminated. To remove the material from skin, use soap and water. Discard contaminated clothing and shoes or thoroughly clean before reuse.

Ingestion: No specific first aid measures are required. Do not induce vomiting. As a precaution, get medical advice.

Inhalation: No specific first aid measures are required. If exposed to excessive levels of material in the air, move the exposed person to fresh air. Get medical attention if coughing or respiratory discomfort occurs.

Note to Physicians: In an accident involving high-pressure equipment, this product may be injected under the skin. Such an accident may result in a small, sometimes bloodless, puncture wound. However, because of its driving force, material injected into a fingertip can be deposited into the palm of the hand. Within 24 hours, there is usually a great deal of swelling, discoloration, and intense throbbing pain. Immediate treatment at a surgical emergency center is recommended.

FIRE FIGHTING MEASURES

Leaks/ruptures in high pressure system using materials of this type can create a fire hazard when in the vicinity of ignition sources (eg. open flame, pilot lights, sparks, or electric arcs).

FIRE CLASSIFICATION: OSHA Classification (29 CFR 1910.1200): Not classified by OSHA as flammable or combustible.

NFPA RATINGS: Health: 0 Flammability: 1 Reactivity: 0

FLAMMABLE PROPERTIES:

Flashpoint: (Cleveland Open Cup) 150 C (302 F) (Min)

Autoignition: No Data Available

Flammability (Explosive) Limits (% by volume in the air): Lower: Not Applicable Upper: Not Applicable

Material Safety Data Sheet (MSDS) Information

CHEVRON HD 22 - 68 - HYDRAULIC FLUID (CONTINUED)

EXTINGUISHING MEDIA: Use water fog, foam, dry chemical or carbon dioxide (CO₂) to extinguish flames.

PROTECTION OF FIRE FIGHTERS: Fire Fighting instructions: This material will burn although it is not easily ignited. For fires involving this material, do not enter any enclosed or confined fire space without proper protective equipment, including self-contained breathing apparatus.

Combustion Products: Highly dependent on combustion conditions. A complex mixture of airborne solids, liquids, and gases including carbon monoxide, carbon dioxide, and unidentified organic compounds will be evolved when this material undergoes combustion.

ACCIDENTAL RELEASE MEASURES

Protective Measures: Eliminate all sources of ignition in vicinity of spilled material.

Spill Management: Stop the source of the release if you can do it without risk. Contain release to prevent further contamination of soil, surface water or groundwater. Clean up spill as soon as possible, observing precautions in Exposure Controls/Personal Protection. Use appropriate techniques such as applying non-combustible absorbent materials or pumping. Where feasible and appropriate, remove contaminated soil. Place contaminated materials in disposable containers and dispose of in a manner consistent with applicable regulations.

Reporting: Report spills to local authorities and/or the U.S. Coast Guard's National Response Center at (800) 424-8802 as appropriate or required.

HANDLING AND STORAGE

Precautionary Measures: DO NOT USE IN HIGH PRESSURE SYSTEMS in the vicinity of flames, sparks and hot surfaces. Use only in well ventilated areas. Keep container closed.

General Handling Information: Avoid contaminating soil or releasing this material into sewage and drainage systems and bodies of water.

Electrostatic charge may accumulate and create a hazardous condition when handling this material. To minimize this hazard, bonding and grounding may be a necessary but may not, by themselves, be sufficient. Review all operations which have the potential of generating and accumulating an electrostatic charge and/or a flammable atmosphere (including tank and container filling, splash filling, tank cleaning, sampling, gauging, switch loading, filtering, mixing, agitation, and vacuum truck operations) and use appropriate mitigating procedures. For more information, refer to OSHA standard 29 CFR 1910.106, 'Flammable and Combustible Liquids', National Fire Protection Association (NFPA 77, 'Recommended Practice on Static Electricity', and/or the American Petroleum Institute (API) Recommended Practice 2003, 'Protection Against Ignitions Arising Out of Static, Lightning, and Stray Currents'.

Container Warnings: Container is not designed to contain pressure. Do not use pressure to empty container or it may rupture with explosive force. Empty containers retain product residue (solid, liquid, and/or vapor) and can be dangerous. Do not pressurize, cut, weld, braze, solder, drill, grind, or expose such containers to heat, flame, sparks, static electricity, or other sources of ignition. They may explode and cause injury or death. Empty containers should be completely drained, properly closed, and promptly returned to a drum reconditioner or disposed of properly.

EXPOSURE CONTROLS/PERSONAL PROTECTION

GENERAL CONSIDERATIONS: Consider the potential hazards of this material (see Section 3), applicable exposure limits, job activities, and other substances in the workplace when designing engineering controls and selecting personal protective equipment. If engineering controls or work practices are not adequate to prevent exposure to harmful levels of this material, the personal protective equipment listed below is recommended. The user should read and understand all instructions and limitations supplied with the equipment since protection is usually provided for a limited time or under certain circumstances.

ENGINEERING CONTROLS: Use in a well-ventilated area.

PERSONAL PROTECTIVE EQUIPMENT

Eye/Face Protection: No special eye protection is normally required. Where splashing is possible, wear safety glasses with side shields as a good safety practice.

Skin Protection: No special protective clothing is normally required. Where splashing is possible, select protective clothing depending on operations conducted, physical requirements and other substances in the workplace. Suggested materials for protective gloves include: 4H (PE/EVAL), Nitrile Rubber, Silver Shield, Viton.

Respiratory Protection: No respiratory protection is normally required. If user operations generate an oil mist, determine if airborne concentrations are below the occupational exposure limit for mineral oil mist. If not, wear an approved respirator that provides adequate protection from measured concentrations of this material. For air-purifying respirators use a particulate cartridge. Use a positive pressure air-supplying respirator in circumstances where air-purifying respirators may not provide adequate protection.

Chevron HD 22 - 68 - hydraulic fluid (continued)

REGULATORY INFORMATION

EPCRA 311/312 CATEGORIES:

1. Immediate (Acute) Health Effects: NO
2. Delayed (Chronic) Health Effects: NO
3. Fire Hazard: NO
4. Sudden Release of Pressure Hazard: NO
5. Reactivity Hazard: NO

REGULATORY LISTS SEARCHED:

- | | |
|---------------------|----------------------|
| 01-1=IARC Group1 | 03=EPCRA 313 |
| 01-2A=IARC Group 2A | 04=CA Proposition 65 |
| 01-2B=IARC Group 2 | 05=MA RTK |
| 02=NTP Carcinogen | 06=NJ RTK |

No components of this material were found on the regulatory lists above.

CHEMICAL INVENTORIES:

All components comply with the following chemical inventory requirements: AICS (Australia), DSL (Canada), ENCS (Japan), IECSC (China), KECI (Korea), PICCS (Philippines), TSCA (United States)

One or more components is listed on ELINCS (European Union). Secondary notification by the importer may be required.

NEW JERSEY RTK CLASSIFICATION:

Under the New Jersey Right-to-Know Act L. 1983 Chapter 315 N.J.S.A. 34:5A-1 et. seq., the product is to be identified as follows: PETROLEUM OIL (Hydraulic oil)

WHMIS CLASSIFICATION:

This product is not considered a controlled product according to the criteria of the Canadian Controlled Products Regulations.

OTHER INFORMATION

NFPA RATINGS: Health: 0 Flammability: 1 Reactivity: 0

HMIS RATINGS: Health: 1 Flammability: 1 Reactivity: 0

(0-Least, 1-Slight, 2-Moderate, 3-High, 4-Extreme, PPE:- Personal Protection Equipment Index recommendation,*-Chronic Effect Indicator). These values are obtained using the guidelines or published evaluations prepared by the National Fire Protection Association (NFPA) or the National Paint and Coating Association (for HMIS ratings).

LABEL RECOMMENDATION: Label Category: INDUSTRIAL OIL 1 - IND1

REVISION STATEMENT: This revision updates the following sections of this Material Safety Data Sheet:

Revision Date: January 15, 2007

ABBREVIATIONS THAT MAY HAVE BEEN USED IN THIS DOCUMENT:

- | | |
|---|--|
| TLV - Threshold Limit Value | TWA - Time weighted Average |
| STEL - Short-term Exposure Limit | PEL - Permissible Exposure Limit |
| CAS - Chemical Abstract Service Number | IMDG - International Maritime Dangerous Goods Code |
| API - American Petroleum Institute | MSDS - Material Safety Data Sheet |
| ACGIH - American Conference of Government Industrial Hygienists | CVX - Chevron |
| NFPA - National Fire Protection Association (USA) | DOT - Department of Transportation |
| NTP - National Toxicology Program(USA) | IARC - International Agency for Research on Cancer |
| OSHA - Occupational Safety and Health Administration | |

Prepared according to the OSHA Hazard Communication Standard (29 CFR 1910.1200) and the ANSI MSDS Standard (Z400.1) by the Chevron Energy Technology Company, 100 Chevron Way, Richmond, California 94802.

The above information is based on the data of which we are aware and is believed to be correct as of the date hereof. Since this information may be applied under conditions beyond our control and with which we may be unfamiliar and since data made available subsequent to the date hereof may suggest modifications of the information, we do not assume any responsibility for the results of its use. This information is furnished upon condition that the person receiving it shall make his own determination of the suitability of the material for his particular purpose.

Chevron HD 22 - 68 - hydraulic fluid (continued)

CHEVRON HD 22 - 68 - HYDRAULIC FLUID (CONTINUED)

PHYSICAL AND CHEMICAL PROPERTIES

Attention: The data below are typical values and do not constitute a specification.

Color: Yellow	Physical State: Liquid	Odor: Petroleum odor
pH: Not applicable	Vapor Pressure: <0.01 mmHg @ 37.8 C (100 F)	Vapor Density (Air = 1): >1
Boiling Point: >315.6 C (600 F)	Solubility: Soluble in hydrocarbons; insoluble in water	Freezing Point: Not Applicable
Melting Point: Not Applicable	Specific Gravity: 0.86 - 0.87 @ 15.6 C (60.1 F) / 15.6 (60.1F)	Density: 0.86 kg/l - 0.9 kg/l @ 15 C (59 F)
Viscosity: 22 cSt - 61.2 cSt @40 C (104 F) (Min)		

STABILITY AND REACTIVITY

Chemical Stability: This material is considered stable under normal ambient and anticipated storage and handling conditions of temperature and pressure.

Incompatibility With Other Materials: May react with strong acids or strong oxidizing agents, such as chlorates, nitrates, peroxides, etc.

Hazardous Decomposition Products: None known. (None expected)

Hazardous Polymerization: Hazardous polymerization will not occur.

TOXICOLOGICAL INFORMATION

IMMEDIATE HEALTH EFFECTS

Eye Irritation: The eye irritation hazard is based on evaluation of data for similar materials or product components.

Skin Irritation: The skin irritation hazard is based on evaluation of data for similar materials or product components.

Skin Sensitization: No product toxicology data available.

Acute Dermal Toxicity: The acute dermal toxicity hazard is based on evaluation of data for similar materials or product components.

Acute Oral Toxicity: The acute oral toxicity hazard is based on evaluation of data for similar materials or product components.

Acute Inhalation Toxicity: The acute inhalation toxicity hazard is based on evaluation of data for similar materials or product components.

ADDITIONAL TOXICOLOGY INFORMATION

This product contains petroleum base oils which may be refined by various processes including severe solvent extraction, severe hydrocracking, or severe hydrotreating. None of the oils requires a cancer warning under the OSHA Hazard Communication Standard (29 CFR 1910.1200). These oils have not been listed in the National Toxicology Program (NTP) Annual Report nor have been classified by the International Agency for Research on Cancer (IARC) as; carcinogenic to humans (Group 1), probably carcinogenic to humans (Group 2), or possibly carcinogenic to humans (Group 2B). These oils have not been classified by the American Conference of Governmental Industrial Hygienists (ACGIH) as: confirmed human carcinogen (A1), suspected human carcinogen (A2), or confirmed animal carcinogen with unknown relevance (A3).

ECOLOGICAL INFORMATION

ECOTOXICITY

This material is not expected to be harmful to aquatic organisms. The ecotoxicity hazard is based on an evaluation of data for the components of a similar material.

ENVIRONMENTAL FATE

This material is not expected to be readily biodegradable.

DISPOSAL CONSIDERATIONS

Use material for its intended purpose or recycle if possible. Oil collection services are available for used oil recycling or disposal. Place contaminated materials in containers and dispose of in a manner consistent with applicable regulations. Contact your sales representative or local environmental or health authorities for approved disposal or recycling methods.

TRANSPORT INFORMATION

The description shown may not apply to all shipping situations. Consult 49CFR, or appropriate Dangerous Goods Regulations, for additional description requirements (e.g., technical name) and mode-specific or quantity-specific shipping requirements.

DOT Shipping Description: PETROLEUM LUBRICATING OIL, NOT REGULATED AS A HAZARDOUS MATERIAL FOR TRANSPORTATION UNDER 49 CFR Additional Information: NOT HAZARDOUS BY U.S. DOT. ADR/RID HAZARD CLASS NOT APPLICABLE

IMO/IMDG Shipping Description: PETROLEUM LUBRICATING OIL; NOT REGULATED AS DANGEROUS GOODS FOR TRANSPORT UNDER THE IMDG CODE

ICAO/IATA Shipping Description: PETROLEUM LUBRICATING OIL; NOT REGULATED AS DANGEROUS GOODS FOR TRANSPORT UNDER ICAO

Fire Extinguisher - MSDS

- 1. PRODUCT AND COMPANY IDENTIFICATION
 - 2. COMPOSITION/INFORMATION ON THE COMPONENTS
 - 3. HAZARD IDENTIFICATION
 - 4. FIRST AID MEASURES
 - 5. FIRE FIGHTING MEASURES
 - 6. ACCIDENTAL RELEASE MEASURES
 - 7. HANDLING AND STORAGE
 - 8. EXPOSURE CONTROLS/PERSONAL PROTECTION
 - 9. PHYSICAL AND CHEMICAL PROPERTIES
 - 10. STABILITY AND REACTIVITY
 - 11. TOXICOLOGICAL INFORMATION
 - 12. ECOLOGICAL INFORMATION
 - 13. DISPOSAL
 - 14. TRANSPORT INFORMATION
 - 15. REGULATORY INFORMATION
 - 16. OTHER INFORMATION
-

KIDDE
A UTC FIRE & SECURITY COMPANY

MATERIAL SAFETY DATA SHEET

KIDDE 55 MULTI-PURPOSE DRY CHEMICAL (FIRE EXTINGUISHING AGENT)

1. PRODUCT AND COMPANY IDENTIFICATION

PRODUCT NAME:

KIDDE 55 MULTI - PURPOSE DRY CHEMICAL (FIRE EXTINGUISHING AGENT)

OTHER TRADE NAMES: ABC, AMMONIUM PHOSPHATE, MONOAMMONIUM PHOSPHATE

MANUFACTURER/SUPPLIER:

KIDDE - RESIDENTIAL AND COMMERCIAL
A UNITED TECHNOLOGIES COMPANY

ADDRESS:

1016 CORPORATE PARK DRIVE
MEBANE, NC 27302
USA

PHONE NUMBER:

(919) 304-8200
(919) 563-5911

CHEMTREC NUMBER (FOR EMERGENCIES ONLY):

(800) 424-9300
(703) 527-3887 (INTERNATIONAL)

REVISION DATE: AUGUST 7, 2007

MSDS DATE: JANUARY 15, 2007

THIS MSDS HAS BEEN COMPILED IN ACCORDANCE WITH - EC DIRECTIVE
91/155/EC - OSHA'S HAZCOM STANDARD (29 CFR 1910.1200)

Fire Extinguisher - MSDS (Continued)

2. COMPOSITION/INFORMATION ON THE COMPONENTS

COMPONENT NAME	CAS#/CODES	CONCENTRATION	R PHRASES	EU CLASSIFICATION
MONOAMMONIUM PHOSPHATE	7722-76-1 EC#2317645	55 - 65%	NONE	NONE
AMMONIUM SULFATE	7783-20-2 EC#2319841	30 - 40%	NONE	NONE
MICA	12001-26-2	1 - 4%	NONE	NONE
CLAY	8031-18-3	<2%	NONE	NONE
AMORPHOUS SILICA	7631-86-9 EC#2315454	<2%	NONE	NONE
DYE	NA	<0.1%	NONE	NONE

3. HAZARD IDENTIFICATION

EU MAIN HAZARDS: NON HAZARDOUS POWDER

ROUTES OF ENTRY:

EYE CONTACT
INHALATION
SKIN CONTACT

CARCINOGENIC STATUS: SEE SECTION 11 - TOXICITY

TARGET ORGANS:

RESPIRATORY SYSTEM
SKIN
EYE

HEALTH EFFECTS - EYES:

CONTACT FOR SHORT PERIODS OF TIME MAY CAUSE IRRITATION.

HEALTH EFFECTS - SKIN: CONTACT MAY CAUSE MILD IRRITATION.

HEALTH EFFECTS - INGESTION: INGESTION IS NOT AN EXPECTED ROUTE OF EXPOSURE.

HEALTH EFFECTS - INHALATION:

MAY IRRITATE THE RESPIRATORY TRACT. MAY CAUSE TRANSIENT COUGH AND SHORTNESS OF BREATH.

4. FIRST AID MEASURES

EYES:

IMMEDIATELY FLOOD THE EYE WITH PLENTY OF WATER OR WARM WATER FOR AT LEAST 15 MINUTES, HOLDING THE EYE OPEN. OBTAIN MEDICAL ATTENTION IF SORENESS OR REDNESS PERSISTS.

SKIN:

WASH AFFECTED AREA WITH SOAP AND WATER. OBTAIN MEDICAL ATTENTION IF IRRITATION PERSISTS.

INGESTION:

DILUTE BY DRINKING LARGE QUANTITIES OF WATER AND OBTAIN MEDICAL ATTENTION.

INHALATION:

MOVE VICTIM TO FRESH AIR. OBTAIN MEDICAL ATTENTION IMMEDIATELY FOR ANY BREATHING DIFFICULTY.

ADVICE TO PHYSICIANS: TREAT SYMPTOMATICALLY.

Fire Extinguisher - MSDS (Continued)

5. FIRE FIGHTING MEASURES

EXTINGUISHING MEDIA:

THIS PREPARATION IS USED AS AN EXTINGUISHING AGENT AND THEREFORE IS NOT A PROBLEM WHEN TRYING TO CONTROL A BLAZE. USE EXTINGUISHING AGENT APPROPRIATE TO OTHER MATERIALS INVOLVED. KEEP PRESSURIZED EXTINGUISHERS AND SURROUNDINGS COOL WITH WATER SPRAY AS THEY MAY RUPTURE OR BURST IN THE HEAT OF A FIRE.

UNUSUAL FIRE AND EXPLOSION HAZARDS:

PRESSURIZED CONTAINERS MAY EXPLODE IN HEAT OF FIRE.

PROTECTIVE EQUIPMENT FOR FIRE-FIGHTING:

WEAR FULL PROTECTIVE CLOTHING AND SELF-CONTAINED BREATHING APPARATUS AS APPROPRIATE FOR SPECIFIC FIRE CONDITIONS.

6. ACCIDENTAL RELEASE MEASURES

SWEEP UP OR VACUUM. PREVENT SKIN AND EYE CONTACT. WEAR APPROPRIATE PROTECTIVE EQUIPMENT.

7. HANDLING AND STORAGE

PRESSURIZED EXTINGUISHERS SHOULD BE PROPERLY STORED AND SECURED TO PREVENT FALLING OR BEING KNOCKED OVER. DO NOT DRAG, SLIDE OR ROLL EXTINGUISHERS. DO NOT DROP EXTINGUISHERS OR PERMIT THEM TO STRIKE AGAINST EACH OTHER. NEVER APPLY FLAME OR LOCALIZED HEAT DIRECTLY TO ANY PART OF THE EXTINGUISHER OR PLASTIC CONTAINER. STORE PRESSURIZED EXTINGUISHERS AND PLASTIC CONTAINERS AWAY FROM HIGH HEAT SOURCES.

STORAGE AREA SHOULD BE:

COOL
DRY
WELL VENTILATED
UNDER COVER
OUT OF DIRECT SUNLIGHT

8. EXPOSURE CONTROLS/PERSONAL PROTECTION

OCCUPATIONAL EXPOSURE STANDARDS:

OCCUPATIONAL EXPOSURE LIMITS ARE LISTED BELOW, IF THEY EXIST.

MICA:

ACGIH TLV: 3 MG/M3 TWA, MEASURED AS RESPIRABLE FRACTION OF THE AEROSOL.
OSHA PEL: 20 MPPCF, <1% CRYSTALLINE SILICA

NUISANCE DUST LIMIT:

OSHA PEL:

50 MPPCF OR 15 MG/M3 TWA, TOTAL DUST
15 MPPCF OR 5 MG/M3 TWA, RESPIRABLE FRACTION

ENGINEERING CONTROL MEASURES:

USE WITH ADEQUATE VENTILATION. THERE SHOULD BE LOCAL PROCEDURES FOR THE SELECTION, TRAINING, INSPECTION AND MAINTENANCE OF THIS EQUIPMENT. WHEN USED IN LARGE VOLUMES, USE LOCAL EXHAUST VENTILATION.

Fire Extinguisher - MSDS (Continued)

8. EXPOSURE CONTROLS/PERSONAL PROTECTION

RESPIRATORY PROTECTION:

NOT NORMALLY REQUIRED. USE DUST MASK WHERE DUSTINESS IS PREVALENT, OR TLV IS EXCEEDED.

HAND PROTECTION:

NOT NORMALLY NEEDED WHEN USED AS A PORTABLE FIRE EXTINGUISHER. USE GLOVES IF IRRITATION OCCURS.

EYE PROTECTION: CHEMICAL GOGGLES OR SAFETY GLASSES WITH SIDE SHIELDS.

BODY PROTECTION: NORMAL WORK WEAR.

9. PHYSICAL AND CHEMICAL PROPERTIES

PHYSICAL STATE: POWDER

COLOR: PALE YELLOW

ODOR: ODORLESS

SPECIFIC GRAVITY: NOT AVAILABLE

BOILING RANGE/POINT (DEG. C/F): NOT APPLICABLE

FLASH POINT (PMCC) (DEG. C/F): NOT FLAMMABLE

SOLUBILITY IN WATER: NOT APPLICABLE

VAPOR DENSITY (AIR = 1): HEAVIER THAN AIR.

VAPOR PRESSURE: NOT APPLICABLE

EVAPORATION RATE: NOT APPLICABLE

10. STABILITY AND REACTIVITY

STABILITY: STABLE UNDER NORMAL CONDITIONS.

CONDITIONS TO AVOID:

HEAT

HIGH TEMPERATURES

EXPOSURE TO DIRECT SUNLIGHT

MATERIALS TO AVOID:

STRONG OXIDIZING AGENTS

STRONG ACIDS

SODIUM HYPOCHLORITE

HAZARDOUS POLYMERIZATION: WILL NOT OCCUR.

HAZARDOUS DECOMPOSITION PRODUCTS:

OXIDES OF CARBON

AMMONIA

OXIDES OF PHOSPHORUS

NITROGEN OXIDES

Fire Extinguisher - MSDS (Continued)

11. TOXICOLOGICAL INFORMATION

ACUTE TOXICITY: LOW ORDER OF ACUTE TOXICITY.

CHRONIC TOXICITY/CARCINOGENICITY:

THIS PRODUCT IS NOT EXPECTED TO CAUSE LONG TERM ADVERSE HEALTH EFFECTS.

MICA AND CLAY MAY CONTAIN SMALL QUANTITIES OF QUARTZ (CRYSTALLINE SILICA) AS AN IMPURITY. PROLONGED EXPOSURE TO RESPIRABLE CRYSTALLINE SILICA DUST AT CONCENTRATIONS EXCEEDING THE OCCUPATIONAL EXPOSURE LIMITS MAY INCREASE THE RISK OF DEVELOPING A DISABLING LUNG DISEASE KNOWN AS SILICOSIS. IARC FOUND LIMITED EVIDENCE FOR PULMONARY CARCINOGENICITY OF CRYSTALLINE SILICA IN HUMANS.

GENOTOXICITY: THIS PRODUCT IS NOT EXPECTED TO CAUSE ANY MUTAGENIC EFFECTS.

REPRODUCTIVE/DEVELOPMENTAL TOXICITY:

THIS PRODUCT IS NOT EXPECTED TO CAUSE ADVERSE REPRODUCTIVE EFFECTS.

12. ECOLOGICAL INFORMATION

MOBILITY: NO RELEVANT STUDIES IDENTIFIED.

PERSISTENCE/DEGRADABILITY: NO RELEVANT STUDIES IDENTIFIED.

BIO-ACCUMULATION: NO RELEVANT STUDIES IDENTIFIED.

ECOTOXICITY: NO RELEVANT STUDIES IDENTIFIED.

13. DISPOSAL

DISPOSE OF CONTAINER IN ACCORDANCE WITH ALL APPLICABLE LOCAL AND NATIONAL REGULATIONS. DO NOT CUT, PUNCTURE OR WELD ON OR NEAR TO THE CONTAINER. NO HARM TO THE ENVIRONMENT IS EXPECTED FROM THIS PREPARATION.

14. TRANSPORT INFORMATION

DOT CFR 172.101 DATA: NOT REGULATED

UN PROPER SHIPPING NAME: NOT REGULATED

UN CLASS: NONE

UN NUMBER: NONE

UN PACKAGING GROUP: NONE

15. REGULATORY INFORMATION

EU LABEL INFORMATION:

CLASSIFICATION AND LABELLING HAVE BEEN PERFORMED ACCORDING TO EU DIRECTIVES 67/548/EEC AND 99/45/EC INCLUDING AMENDMENTS.

EU HAZARD SYMBOL AND INDICATION OF DANGER.:

THIS PREPARATION IS NOT CLASSIFIED AS DANGEROUS.

R PHRASES: NONE

S PHRASES: NONE.

Fire Extinguisher - MSDS (Continued)

15. REGULATORY INFORMATION

US REGULATIONS (FEDERAL, STATE) AND INTERNATIONAL CHEMICAL REGISTRATION LAWS:

TSCA LISTING:

THIS PRODUCT CONTAINS INGREDIENTS THAT ARE LISTED ON OR EXEMPT FROM LISTING ON THE EPA TOXIC SUBSTANCE CONTROL ACT CHEMICAL SUBSTANCE INVENTORY.

EINECS LISTING:

ALL INGREDIENTS IN THIS PRODUCT HAVE NOT BEEN VERIFIED FOR LISTING ON THE EUROPEAN INVENTORY OF EXISTING COMMERCIAL CHEMICAL SUBSTANCES (EINECS) OR THE EUROPEAN LIST OF NEW CHEMICAL SUBSTANCES (ELINCS).

DSL/NDSL (CANADIAN) LISTING:

ALL INGREDIENTS IN THIS PRODUCT ARE LISTED ON THE DOMESTIC SUBSTANCE LIST (DSL) OR THE NON-DOMESTIC SUBSTANCE LIST (NDSL) OR ARE EXEMPT FROM LISTING.

WHMIS CLASSIFICATION:

D2B

THIS PRODUCT WAS CLASSIFIED IN ACCORDANCE WITH THE HAZARD CRITERIA OF THE CANADIAN CONTROLLED PRODUCTS REGULATIONS AND THE MSDS CONTAINS ALL THE INFORMATION REQUIRED BY THESE REGULATIONS.

MA RIGHT TO KNOW LAW:

ALL COMPONENTS HAVE BEEN CHECKED FOR INCLUSION ON THE MASSACHUSETTS SUBSTANCE LIST (MSL). THOSE COMPONENTS PRESENT AT OR ABOVE THE DE MINIMUS CONCENTRATION INCLUDE:

MICA	(12001-26-2)	1 - 4%
AMORPHOUS SILICA	(7631-86-9)	<2%
AMMONIUM SULFATE	(7783-20-2)	30 - 40%

PA RIGHT TO KNOW LAW:

THIS PRODUCT CONTAINS THE FOLLOWING CHEMICALS FOUND ON THE PENNSYLVANIA HAZARDOUS SUBSTANCE LIST:

MICA	(12001-26-2)	1 - 4%
AMORPHOUS SILICA	(7631-86-9)	<2%
AMMONIUM SULFATE	(7783-20-2)	30 - 40%

NJ RIGHT TO KNOW LAW:

THIS PRODUCT CONTAINS THE FOLLOWING CHEMICALS FOUND ON THE NJ RIGHT TO KNOW HAZARDOUS SUBSTANCE LIST:

MICA	(12001-26-2)	1 - 4%
AMORPHOUS SILICA	(7631-86-9)	<2%

CALIFORNIA PROPOSITION 65:

THIS PRODUCT DOES NOT CONTAIN MATERIALS WHICH THE STATE OF CALIFORNIA HAS FOUND TO CAUSE CANCER, BIRTH DEFECTS OR OTHER REPRODUCTIVE HARM.

SARA TITLE III SECT. 302 (EHS):

THIS PRODUCT DOES NOT CONTAIN ANY CHEMICALS SUBJECT TO SARA TITLE III SECTION 302.

SARA TITLE III SECT. 304:

THIS PRODUCT DOES NOT CONTAIN ANY CHEMICALS SUBJECT TO SARA TITLE III SECTION 304.

SARA TITLE III SECT. 311/312 CATEGORIZATION:

IMMEDIATE (ACUTE) HEALTH HAZARD

SARA TITLE III SECT. 313:

THIS PRODUCT DOES NOT CONTAIN ANY CHEMICALS THAT ARE LISTED IN SECTION 313 AT OR ABOVE DE MINIMIS CONCENTRATIONS.

Fire Extinguisher - MSDS (Continued)

16. OTHER INFORMATION

NFPA RATINGS:

NFPA CODE FOR HEALTH 1
NFPA CODE FOR FLAMMABILITY 0
NFPA CODE FOR REACTIVITY 0
NFPA CODE FOR SPECIAL HAZARDS NONE

HMS RATINGS:

HMS CODE FOR HEALTH 1
HMS CODE FOR FLAMMABILITY 0
HMS CODE FOR REACTIVITY 0
HMS CODE FOR PERSONAL PROTECTION SEE SECTION 8

ABBREVIATIONS:

N/A: DENOTES NO APPLICABLE INFORMATION FOUND OR AVAILABLE
CAS#: CHEMICAL ABSTRACTS SERVICE NUMBER
ACGIH: AMERICAN CONFERENCE OF GOVERNMENTAL INDUSTRIAL HYGIENISTS
OSHA: OCCUPATIONAL SAFETY AND HEALTH ADMINISTRATION
TLV: THRESHOLD LIMIT VALUE
PEL: PERMISSIBLE EXPOSURE LIMIT
STEL: SHORT TERM EXPOSURE LIMIT
NTP: NATIONAL TOXICOLOGY PROGRAM
IARC: INTERNATIONAL AGENCY FOR RESEARCH ON CANCER
R: RISK
S: SAFETY

PREPARED BY: ENVIRONET LLC.

THE INFORMATION CONTAINED HEREIN IS BASED ON DATA BELIEVED TO BE ACCURATE. HOWEVER, NO REPRESENTATION, WARRANTY, OR GUARANTEE IS MADE TO ITS ACCURACY, RELIABILITY OR COMPLETENESS. IT IS THE USER'S RESPONSIBILITY TO SATISFY HIMSELF AS TO THE SUITABILITY AND COMPLETENESS OF SUCH INFORMATION FOR ITS OWN PARTICULAR USE. BADGER FIRE PROTECTION ASSUMES NO RESPONSIBILITY FOR PERSONAL INJURY OR PROPERTY DAMAGE RESULTING FROM USE, HANDLING OR FROM CONTACT WITH THIS PRODUCT.

Guarantee

National Flooring Equipment, Inc. (National) warrants to the first consumer/purchaser that this National brand product (**5625 Propane Powered Floor Prep System**) when shipped in its original container, will be free from defective workmanship and materials and agrees that it will, at its option, either repair the defect or replace the defective product or part thereof at no charge to the purchaser for parts or labor for the period(s) set forth below.

This warranty does not apply to any appearance items of the product, to the additional excluded items set forth below, or to any product, the exterior of which has been damaged or defaced, which has been subjected to misuse, abnormal service or handling, or which has been altered or modified in design or construction.

In order to enforce the rights under this limited warranty, the purchaser should follow the steps set forth below and provide proof of purchase to National.

The limited warranty described herein is in addition to whatever implied warranties may be granted to purchasers by law. All implied warranties including the warranties of merchantability and fitness for use are limited to the periods from the date of purchase as set forth below. Some states do not allow time limitations on an implied warranty, so the above limitation may not apply to you.

Neither the sales person of the seller, nor any other person, is authorized to make any other warranties other than those described herein, or to extend the duration of any warranties beyond the time period described herein on behalf of National.

The warranties described herein shall be the sole and exclusive warranties granted by National and shall be the sole and exclusive remedy available to the purchaser. Correction of defects in the manner and for the period of time described herein, shall constitute complete fulfillment of all liabilities and responsibilities of National to the purchaser with respect to the product and shall constitute full satisfaction of all claims, whether based on contract, negligence, strict liability or otherwise. In no event shall National be liable, or in any way responsible for any damage or defects in the product which were caused by repairs or attempted repairs performed by anyone other than National. Nor shall National be liable, or in any way responsible, for any incidental or consequential, economics or property damage. Some states do not allow the exclusion of incidental or consequential damages, so the above exclusion may not apply to you.

This warranty gives you specific legal rights. You may also have other rights which vary from state to state.

WARRANTY PERIOD

The **5625 Propane Powered Floor Prep System** is guaranteed to be free of manufacturer defective workmanship and in quality of materials for a period of one year.

Items excluded from warranty coverage, unless found and reported defective immediately upon removal from the original shipping container and before being used by the original purchaser.

A freight damage claim must be filed with the carrier by the purchaser, the shipper cannot file the freight claim.

TO OBTAIN SERVICE CONTACT NATIONAL FLOORING EQUIPMENT, INC. TOLL FREE AT 800-245-0267 FOR A REPAIR AUTHORIZATION NUMBER. COD FREIGHT RETURNS WILL NOT BE ACCEPTED. FREIGHT COLLECT SHIPMENTS WILL NOT BE ACCEPTED. WARRANTY REPAIRS MUST BE ACCOMPANIED BY DATE OF PURCHASE RECEIPT AND A RETURN/REPAIR AUTHORIZATION NUMBER.

RETURN/REPAIR AUTHORIZATION NUMBER: _____

MACHINE SERIAL NUMBER: _____



Made in America Since 1968

9250 Xylon Avenue N • Minneapolis, MN 55445 • U.S.A.
Toll-free 800-245-0267 • Phone 763-315-5300 • Fax 800-648-7124 • Fax 763-535-8255
Web Site: www.nationalequipment.com • E-Mail: info@nationalequipment.com