



Always Innovative. Always Reliable.

Experience, Trust, Service

6.5 Cu. Ft. M-Series Blast Pot Part Numbers & Schematics Guide





Experience, Trust, Service

6.5 Cu. Ft. M-Series Blast Pot – Part Numbers & Schematics Guide

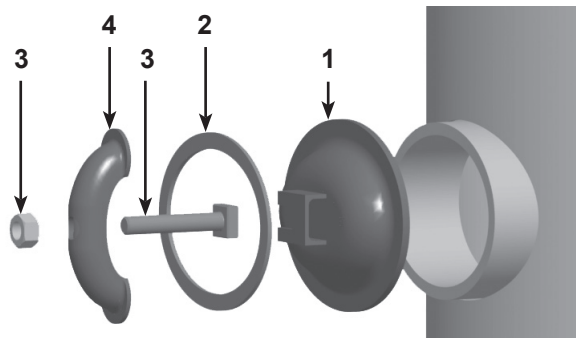
		Configurations									
		Metering Valve	Remote Control System			Standard Features		Upgrade Options			
								Loading Skid	Moisture Separator		
	Bantam	KwikFire Remote Control Switch	KwikFire Remote Control System	Pneumatic vs. Electric	Muffler		1-1/4" x 1-1/4" Extractor		1-1/2" x 1-1/2" Extractor	1-1/4" x 1-1/4" Jr. Extractor	1" x 1-1/4" Jr. Extractor
Part Numbers	1065201	1"	150	125	PN	X					
	1065202	1-1/4"	150	125	PN	X					
	1065203	1-1/2"	150	125	PN	X					
	1065204	1"	156	125	12V	X					
	1065205	1-1/4"	156	125	12V	X					
	1065206	1-1/2"	156	125	12V	X					
	1065207	1"	156	125	120V	X					
	1065208	1-1/4"	156	125	120V	X					
	1065209	1-1/2"	156	125	120V	X					
	1065201PKA	1"	150	125	PN	X					X
	1065202PKA	1-1/4"	150	125	PN	X		X			
	1065203PKA	1-1/2"	150	125	PN	X			X		
	1065204PKA	1"	156	125	12V	X					X
	1065205PKA	1-1/4"	156	125	12V	X		X			
	1065206PKA	1-1/2"	156	125	12V	X			X		
	1065207PKA	1"	156	125	120V	X					X
1065208PKA	1-1/4"	156	125	120V	X		X				
1065209PKA	1-1/2"	156	125	120V	X			X			

Configurations											
	Part Number	Metering Valve	Remote Control System		Standard Features	Upgrade Options					
		Bantam	KwikFire Remote Control Switch	KwikFire Remote Control System	Pneumatic vs. Electric	Muffler	Loading Skid	Moisture Separator			
								1-1/4" x 1-1/4" Extractor	1-1/2" x 1-1/2" Extractor	1-1/4" x 1-1/4" Jr. Extractor	1" x 1-1/4" Jr. Extractor
	1065201LS	1"	150	125	PN	X	X				
	1065202LS	1-1/4"	150	125	PN	X	X				
	1065203LS	1-1/2"	150	125	PN	X	X				
	1065204LS	1"	156	125	12V	X	X				
	1065205LS	1-1/4"	156	125	12V	X	X				
	1065206LS	1-1/2"	156	125	12V	X	X				
	1065207LS	1"	156	125	120V	X	X				
	1065208LS	1-1/4"	156	125	120V	X	X				
	1065209LS	1-1/2"	156	125	120V	X	X				
	1065201PKALS	1"	150	125	PN	X	X				X
	1065202PKALS	1-1/4"	150	125	PN	X	X	X			
	1065203PKALS	1-1/2"	150	125	PN	X	X		X		
	1065204PKALS	1"	156	125	12V	X	X				X
	1065205PKALS	1-1/4"	156	125	12V	X	X	X			
	1065206PKALS	1-1/2"	156	125	12V	X	X		X		
	1065207PKALS	1"	156	125	120V	X	X				X
	1065208PKALS	1-1/4"	156	125	120V	X	X	X			
	1065209PKALS	1-1/2"	156	125	120V	X	X		X		

Part Numbers

Blast Pot Schematic

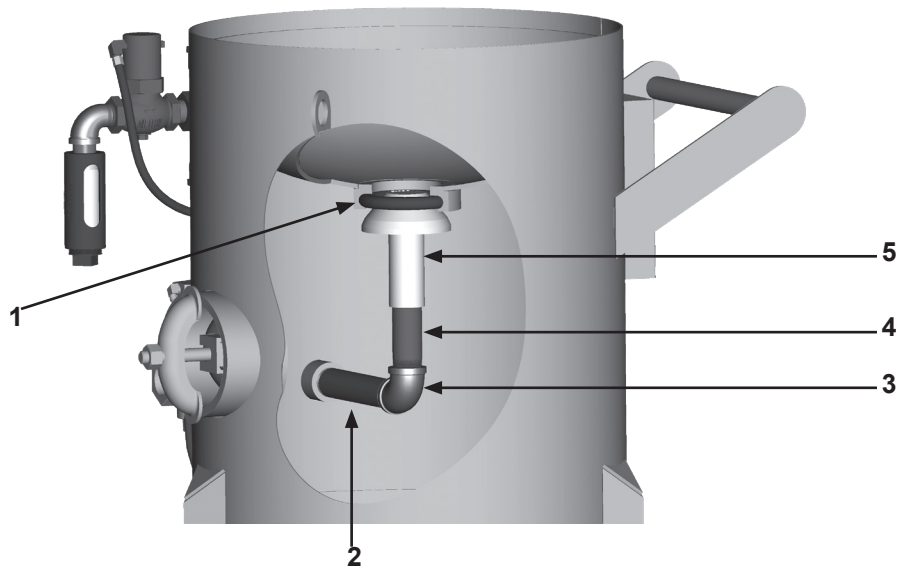
Figure 1



Item #	Part #	Description
Fig. 1		
-	1006200	6" x 8" Inspection Door Assembly (includes: 1, 2, 3, and 4)
1	1006212	6" x 8" Inspection Door Hatch
2	1006201	6" x 8" Inspection Door Gasket
3	1006215	Inspection Door Bolt and Nut Assembly
4	1006214	Handhole Crab

Blast Pot Schematic

Figure 2



Item #	Part #	Description
Fig. 2		
1	1006050	Pop-Up Valve Seat
2	1011214	1-1/4" NPT x 10" Pipe Nipple
3	1006204	1-1/4" 90 Degree Elbow
4	1006208	1-1/4" NPT x 5-1/2" Pipe Nipple
5	1006020	Pop-Up Valve - External Sleeve

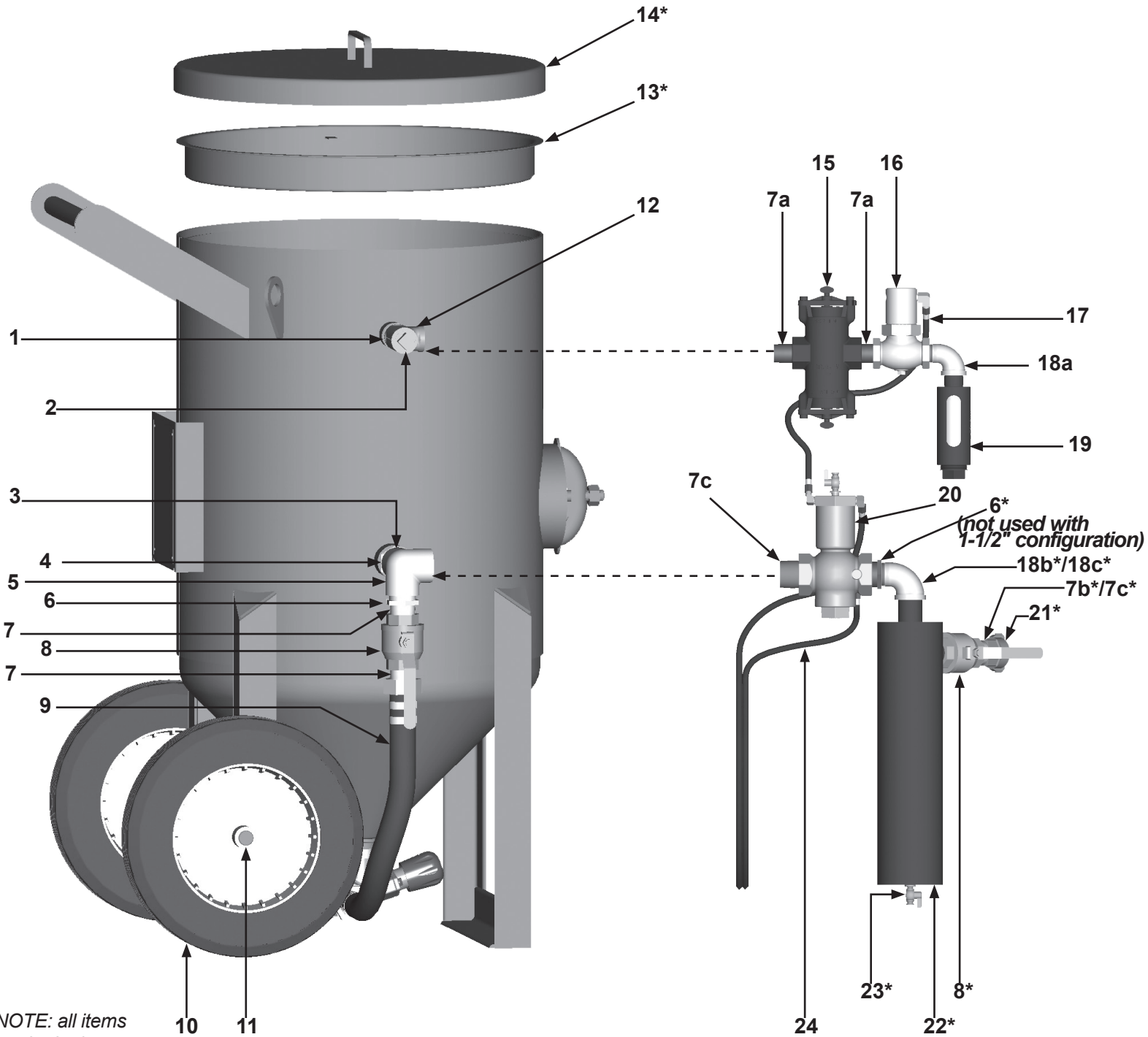
Blast Pot Schematic

Item #	Part #	Description
Fig. 3		
1	1012151	1" NPT Close Nipple
2	1011901	1" NPT Square Head Pipe Plug
3	1011201	1-1/4" NPT Close Nipple
4	1011501	1-1/4" x 1-1/2" NPT Bushing
5	1011804	1-1/2" 90 degree NPT Elbow with Side-Out
6	1011501	1-1/4" x 1-1/2" NPT Bushing
7a	1012151	1" NPT Close Nipple
7b	1011201	1-1/4" NPT Close Nipple
7c	1014015	1-1/2" NPT Close Nipple
8a	1011601	1" NPT Full Port Brass Ball Valve
8b	1011602	1-1/4" NPT Full Port Brass Ball Valve
8c	1011603	1-1/2" NPT Full Port Brass Ball Valve
9a	1006310	1" I.D. Air Hose Pusher Line Service Kit (see Fig. 9)
9b	1006311	1-1/4" I.D. Air Hose Pusher Line Service Kit (see Fig. 9)
9c	1006312	1-1/2" I.D. Air Hose Pusher Line Service Kit (see Fig. 9)
10	1006064	16" Wheel (2 required)
11	1006211	Wheel Clip (4 required)
12	1011816	1" NPT Pipe Tee
13*	1006102	Screen for 24" Diameter Blast Pot (optional)
14*	1006101	Lid for 24" Diameter Blast Pot (optional)
15	1012000	1" Abrasive Trap - Complete
16	1012050	1" Outlet Valve - Complete
17	10CL18	18" Control Line
18a	1011801	1" NPT Street Elbow
18b*	1011802	1-1/4" NPT Street Elbow (optional)
18c*	1011839	1-1/2" NPT Street Elbow (optional)
19	1011100	Muffler Assembly - Complete (includes 1" NPT Close Nipple)
20	1012200	1-1/2" Inlet Valve - Complete
21a*	10ME2	2-Lug Air Hose Coupling - 1" NPT (M) (optional)
21b*	10ME3	4-Lug Air Hose Coupling - 1-1/4" NPT (F) (optional)
21c*	10ME4	4-Lug Air Hose Coupling - 1-1/2" NPT (F) (optional)
22a*	1011740	1-1/4" Extractor Moisture Separator (includes 7, 8, 18, 21, 22, 23) (optional)
22b*	10101313	1-1/2" Extractor Moisture Separator (includes 7, 8, 18, 21, 22, 23) (optional)
23*	1012101	1/4" NPT Brass Petcock
24	10TL5	5 Ft. of Coupled Twinline
–	1090058	6.5 Cu. Ft. M-Series Blast Pot with KwikFire 125 Remote Control System Operator's Manual

*optional

Blast Pot Schematic

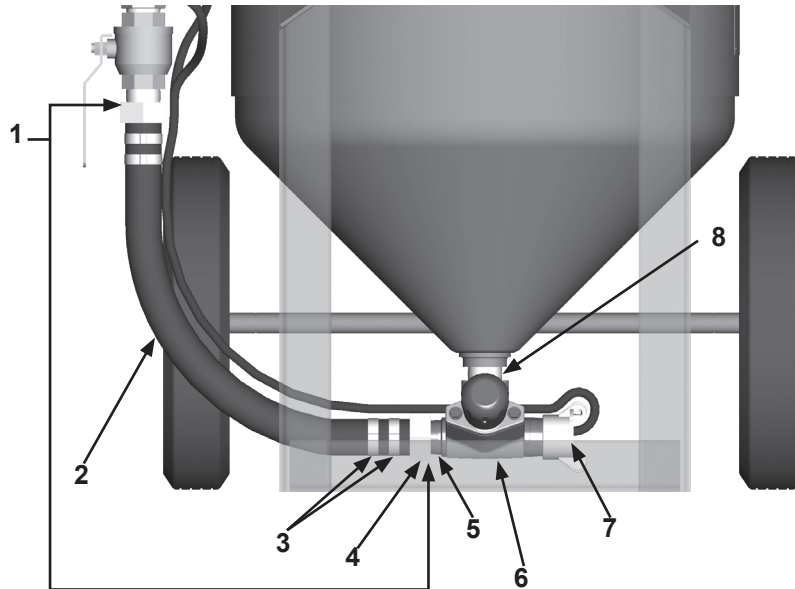
Figure 3



NOTE: all items marked w/ an asterisk (*) are optional.

Blast Pot Schematic

Figure 4



Item #	Part #	Description
Fig. 4		
1a	1006310	1" I.D. Pusher Line Service Kit (for use with 1014100) (includes items: 2a) Quantity of 3 Ft., 3) Quantity of 4 and 4a) Quantity of 2)
1b	1006311	1-1/4" I.D. Pusher Line Service Kit (for use On 1014101) (includes items: 2b) Quantity of 3 Ft., 3) Quantity of 4 and 4b) Quantity of 2)
1c	1006312	1-1/2" I.D. Pusher Line Service Kit (for use On 1014102) (includes items: 2c) Quantity of 3 Ft., 3) Quantity of 4 and 4c) Quantity of 2)
2a	10AH100B	Air Hose - 1" I.D. (Per Ft.) - (3 Ft. Required)
2b	10AH114B	Air Hose - 1-1/4" I.D. (Per Ft.) - (3 Ft. Required)
2c	10AH112B	Air Hose - 1-1/2" I.D. (Per Ft.) - (3 Ft. Required)
3	1015503	Screw Type Hose Clamp (4 required)
4a	10SFE2	Swivel Air Hose End - 1" NPT (for use with 1006310) (2 required)
4b	10SFE3	Swivel Air Hose End - 1-1/4" NPT (for use with 1006311) (2 required)
4c	10SFE4	Swivel Air Hose End - 1-1/2" NPT (for use with 1006312) (2 required)
5	1012151	1" NPT Close Nipple (for use with 1014100 only)
6a	1014100	1" Bantam Metering Valve - Complete
6b	1014101	1-1/4" Bantam Metering Valve - Complete
6c	1014102	1-1/2" Bantam Metering Valve - Complete
7	10SB2	1-1/2" NPT Brass Tank Coupling
8	1011201	1-1/4" NPT Close Nipple

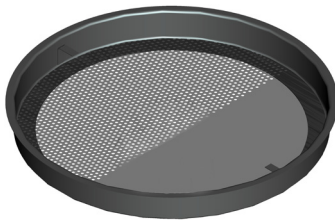
Accessories

Figure 5



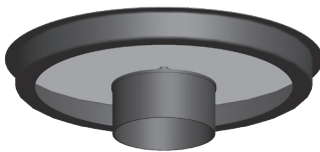
Item #	Part #	Description
Fig. 5		
-	1006101	24" Lid

Figure 6



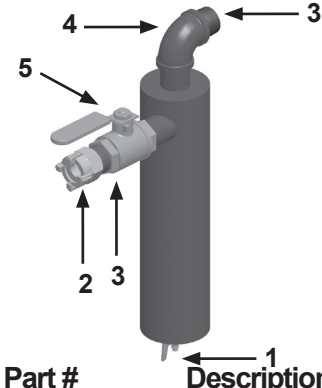
Item #	Part #	Description
Fig. 6		
-	1006102	24" Screen

Figure 7



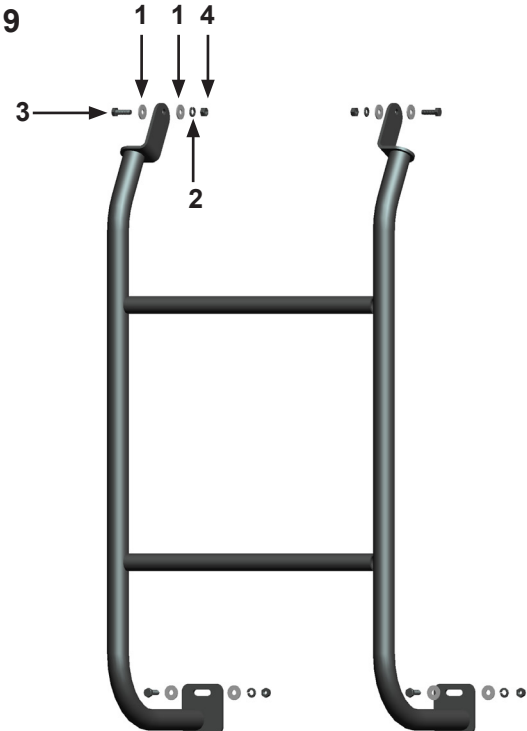
Item #	Part #	Description
Fig. 7		
-	10100733	Abrasive Umbrella* <i>*Shown with optional Screen</i>

Figure 8



Item #	Part #	Description
Fig. 8		
-	10101313	1-1/2" Extractor Moisture Separator
1	1012101	1/4" NPT Brass Petcock
2	10ME4	4-Lug Air Hose Coupling - 1-1/2" NPT (F)
3	1014015	1-1/2" NPT Close Nipple
4	1011842	1-1/2" 90 Degree Elbow
5	1011603	1-1/2" NPT Full Port Brass Ball Valve

Figure 9



Item #	Part #	Description
Fig. 9		
-	1065040	6.5 Cu. Ft. Load Skid
1	10L805003	5/16" Flat Washer - Zinc
2	10L805014	5/16" Lock Washer
3	1035045	5/16" - 18" x 1" Bolt
4	1035046	5/16" - 18" Nut

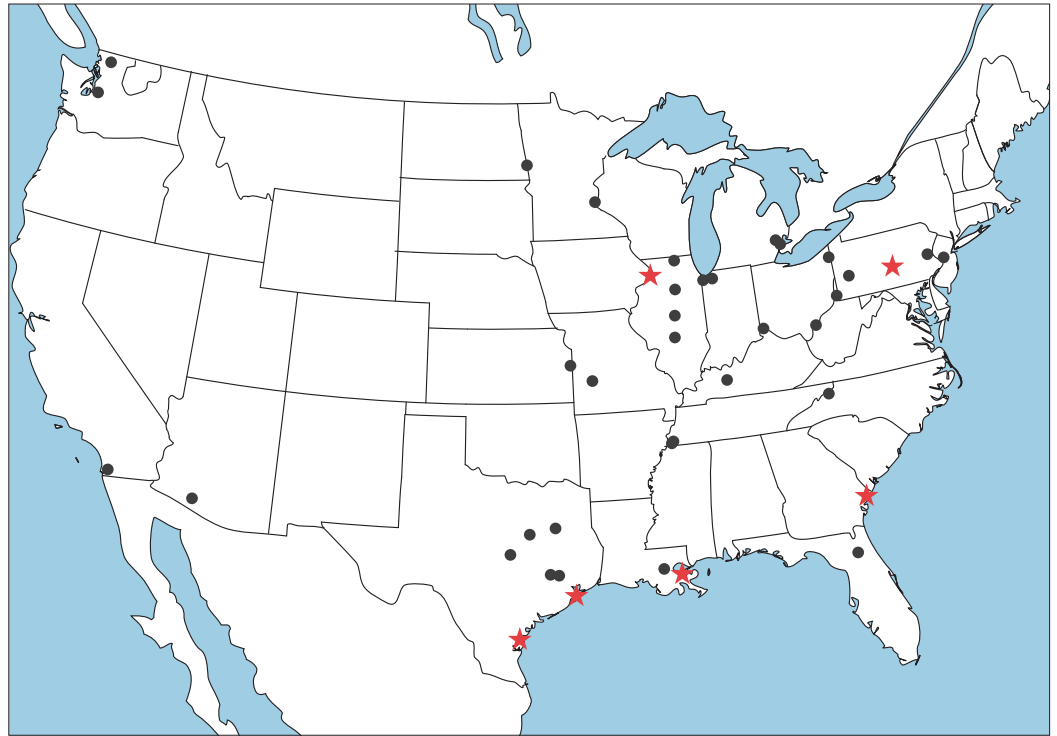


Always Innovative. Always Reliable.

Experience, Trust, Service

Nationwide Locations

45+
SHIPPING
LOCATIONS
NATIONWIDE



★ Marco Regional Branch Offices and/or Distribution Centers

● Marco Direct Shipping Locations

Contact Us



GLOBAL HEADQUARTERS

» 3425 East Locust Street
Davenport, IA 52803
ph: 800.BLAST.IT (800.252.7848)
ph: 563.324.2519
fax: 563.324.6258

REGIONAL BRANCH OFFICES

- » Columbus, OH
614.202.7601
- » Corpus Christi, TX
361.244.8747
- » Davenport, IA
800.252.7848
- » Deer Park, TX
281.930.0905
- » Harrisburg, PA
800.252.7848
- » Harvey, LA
504.361.3158
- » Lafayette, LA
337.281.4070
- » Savannah, GA
800.252.7848



GULF STATES HEADQUARTERS

» 701 East Boulevard
Deer Park, TX 77536
ph: 800.BLAST.IT (800.252.7848)
ph: 281.930.0905
fax: 281.542.0736