

LA-MAN[®]

We Make Compressed Air Work[®]

Clean, Dry Compressed Air Starts with The Extractor/Dryer[®] Manufactured by LA-MAN Corporation

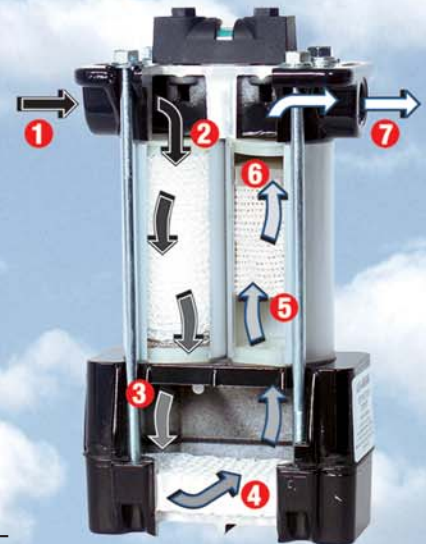
- Point of Use Compressed Air Filter to Improve and Extend Equipment Life
- Removes Liquids and Contaminates to a 5-Micron Rating; Lower Micron Ratings are Available
- Models with Flow Ranges of 15 SCFM to 500 SCFM Rated Up To 250 PSI are Standard
- Differential Pressure Gauge Built In
- Mounting Hardware Included for Easy Installation
- Weep Drain is Standard; Float Drain or Electronic Drain Valve Optional

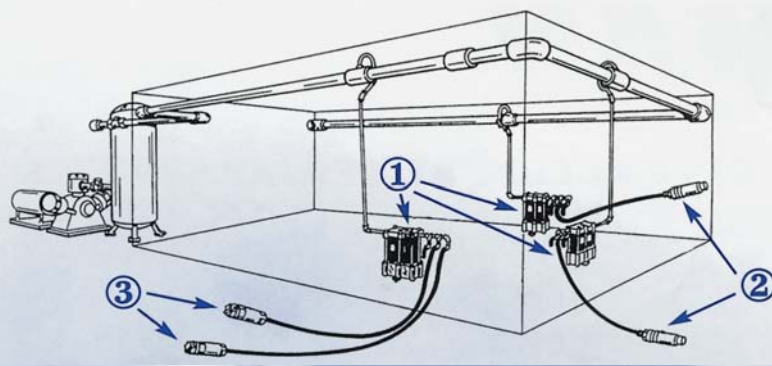


MODEL 105F
with Differential Pressure Gauge
and Float Drain

How It Works –

- 1** Compressed air containing tiny particles of dirt, dust, oil, rust and moisture, enters the first stage of the LaMan[®] Extractor/Dryer Filter.
- 2** A coalescing effect occurs as air passes through a cartridge mesh filter which captures larger particles and causes moisture to form larger droplets.
- 3** Air velocity lessens as it enters the extraction chamber allowing particles and liquids to collect in the honeycomb.
- 4** Particle laden liquid flows along the bottom and out the drain.
- 5** Air passes through the second stage wire supported fiber filter cartridge which captures remaining particles down to 5 microns.
- 6** Remaining moisture and contaminants are dried and filtered in the second stage filter.
- 7** Exhaust air is clean and dry – no dirt, rust, oil, or water drops to disrupt air equipment operation.



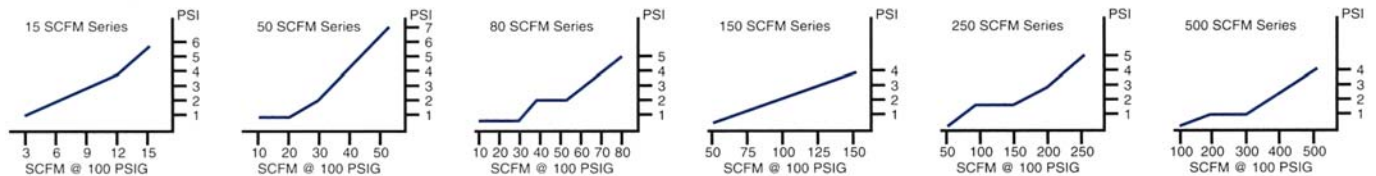


La-Man provides a wide range of compressed air filtration and preparation devices. As shown, the Extractor/Dryer **1** is installed for primary filtration and moisture removal. Each unit is augmented with either the Pneuguard® Inline Dryer **2** or Dryer/Pneuguard® **3** for additional filtration.

SPECIFICATIONS

Model	520A	520B	105	106	107	110	111	120	140	180
NPT	1/4"	1/4"	1/4"	3/8"	1/2"	1/2"	3/4"	1"	1 1/2"	2"
SCFM	15	15	50	50	50	80	80	150	250	500
MAX. PSI	250	250	250	250	250	250	250	250	250	150
APPR. WT.	2#	2#	3#	3#	3#	6#	6#	17#	36#	72#
Service Kit #	015SKA	015SKA	050SKA	050SKA	050SKA	080SKA	080SKA	150SKA	250SKA	500SKA

FLOW CHARACTERISTICS - PRESSURE DROP



APPLICATIONS:

- Air Guns
- Injection Molding
- Hospital Equipment
- Staple Guns
- Printing Presses
- Air Operated Chucks
- Auto Paint & Body Shop
- Sandblasting
- Air Doors
- Air Brushes
- Rivet Guns
- Bakery Equipment
- Textile Needles
- Package Coding
- Transit Systems
- Dental Equipment
- Nailers
- Brewery Bottling
- Construction
- Electronics
- Air Tools
- Air Cylinders



Weep Drain - Standard

The standard drain of the Extractor/ Dryer continuously weeps moisture with a minimal amount of air loss (.16 to .2 CFM at 100 PSI).



Float Drain - No Air Loss

The 500 FD Float Drain will automatically expel liquids from the Extractor/Dryer. It can be used on all models. Drain hose included.



Electronic Drain

The Electronic Drain can be installed on any Extractor/ Dryer as well as surge tanks and drip legs. Adjustable interval and discharge times on various models.



Safety Lockout Valve

Relieves downstream pressure and accepts locking devices, per OSHA 29 CFR-Part 10, when used before servicing the air filter.



Complete Service Kits

EACH KIT INCLUDES:
 1st & 2nd Stage Elements
 Base Core
 All Gaskets & Seals
Can be serviced without filter being removed from air line.

For More Information Contact: