



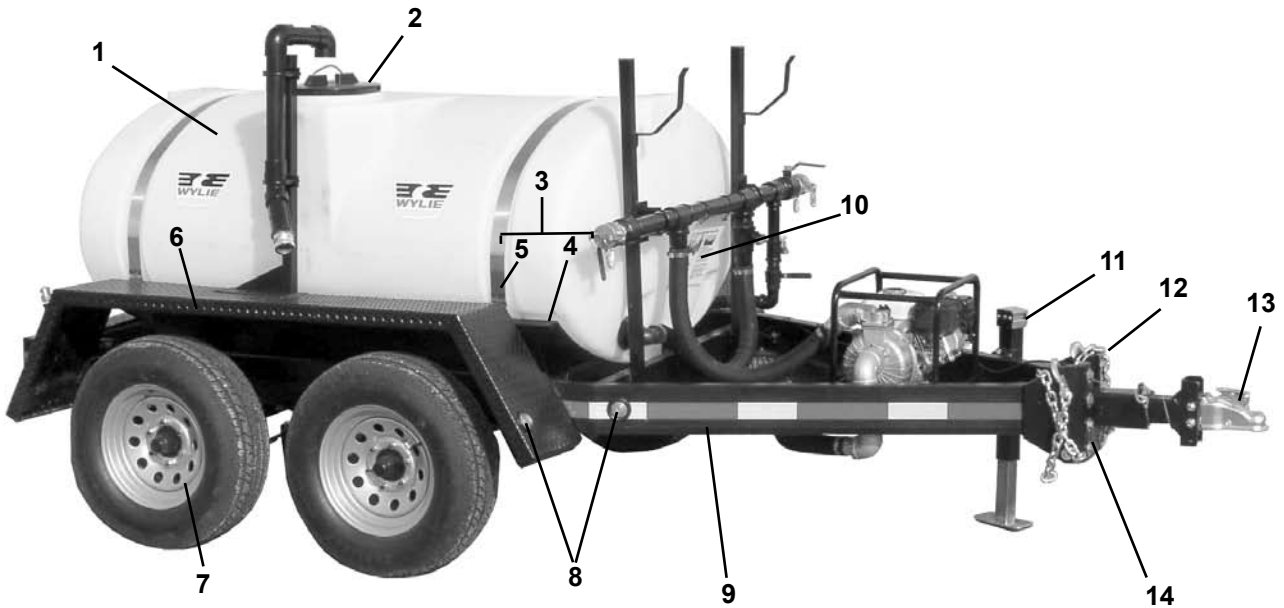
# ***“Express” Water Wagon Repair Parts***

500 Elliptical, 1,025 Gallon Trailer Assembly.....	14
500 Gallon Rectangular Tank Trailer Assembly.....	15
800 Gallon Trailer Assembly.....	16
1,600 Gallon Trailer Assembly.....	17
Axles & Hubs.....	18
Lighting.....	19
Trailer Pump & Plumbing.....	20
Rectangular Tank Trailer Pump & Plumbing.....	21
Suction Plumbing.....	22
Skid Assembly.....	23
Skid Pump & Plumbing.....	24 - 25
Spray Bar.....	26
Fire Hose, Side Watering Kit , Anti-Siphon Fill Kit, Garden Hose.....	27
Tsurumi Pump.....	28



**Trailer Frame**

- W1245-EB            500 Gallon w/electric brakes**
- W1245-S            500 Gallon w/surge brakes**
- W1241WT-EB       1,025 Gallon w/electric brakes**
- W1241WT-S       1,025 Gallon w/surge brakes**



No.	Part No.	Description	No.	Part No.	Description
1	T500HENK	500 Gal. Ellip. Tank w/lid	8	203220	2" Amber Side Marker
	T1025LSNK	1,025 Gal. Full Drain Leg Tank w/ lid		223088	2" Round Grommet
2	TLVA10	10" Tank Lid	9	W124530	Frame (500)
3	W7133	500 gal. Ellip. Saddle Ass'y (500)		W124102	Frame (1,025)
4	W713301	500 gal. Saddle Frame	10	04-21R1	Plumbing Operation Instructions
5	W720109	#12-T-2" x 92" (88") Tank Band (500)	11	HD500-SWL-TMR-PZ-M	Side Wind Jack
	W120502	Hoop (1,025)	12	SC43-49	Safety Chain Kit
6	W120334	RH Fender (500)	13	09430-95	2" Ball Hitch (500)
	W120335	LH Fender (500)		W1211RK	2 5/16" Ball Hitch (1,025)
	W124108	RH Fender (1025)		09557-97	3" Pintle Hitch
	W124107	LH Fender (1025)	14	W121117	Hitch Plate, Electric Brake (500)
7	34774	Wheel & Tire Ass'y. 15x6.6 (500)		W121120	Hitch Plate, 7,500# Surge (500)
	660865831314114	Wheel & Tire Ass'y. 16x6.8 (1,025)		W121117	Hitch Plate, Electric Brake (1,025)
				W121115	Hitch Plate, 20,000# Surge (1,025)



**W1275-S2**

**500 Gallon Rectangular w/surge brakes**



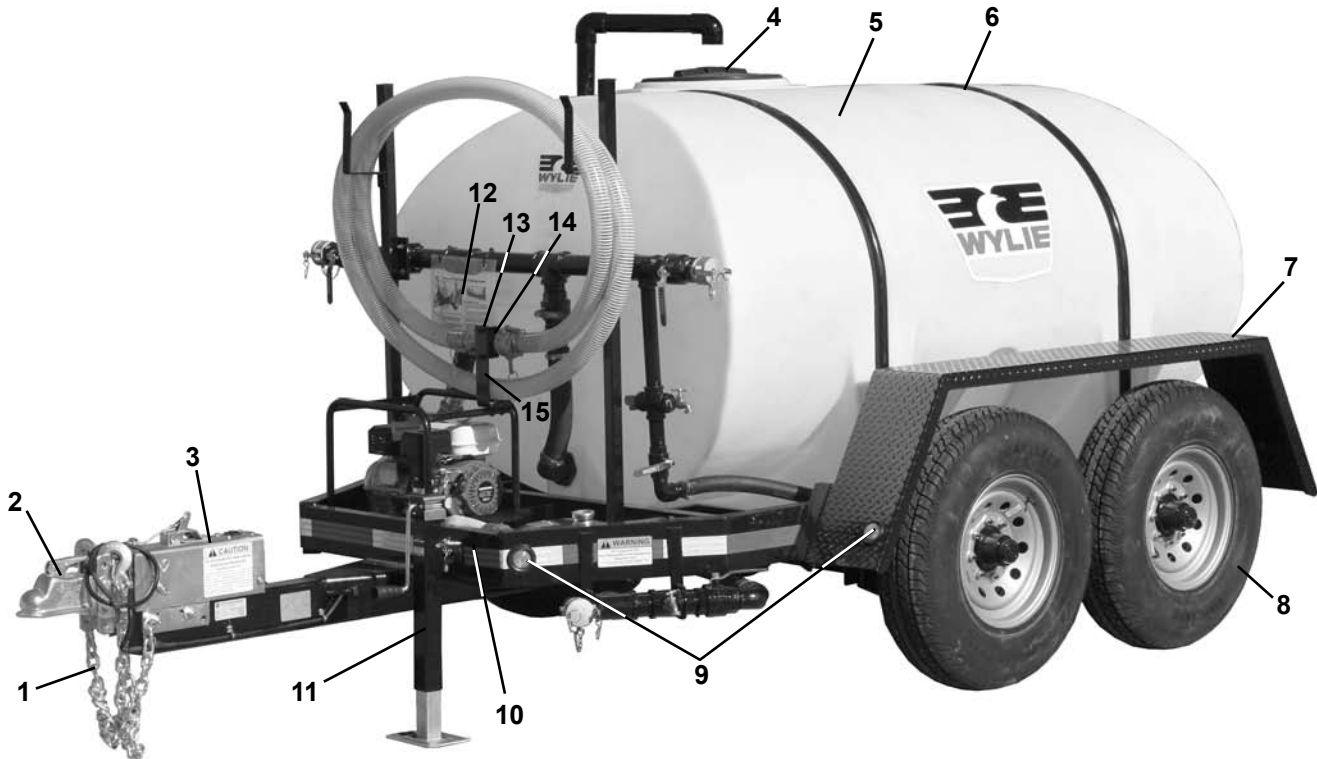
No.	Part No.	Description	No.	Part No.	Description
1	09430-95	2" Ball Hitch	7	34774	Wheel & Tire Ass'y. 15x6.6
2	8759131	Surge Actuator	8	TS35620460655FBX	3500# 62" HF 46.0 Center Axle
3	352060	18" Lid Assembly	9	W127504	Trailer Frame
4	T500RLN18K	500 Gal. Rectangular Tank	10	203220	2" Amber Side Marker
5	W127503	Tank Hoop	11	223088	2" Round Grommet
6	W1275-F2	Fender Ass'y. (pair)	12	HD500-SWL-TMR-PZ-M	Side Wind Jack
	W127505	Fender LH	13	SC43-49	Safety Chain Kit
	W127506	Fender RH (not shown)			



**Trailer Frame**

**W1276S**

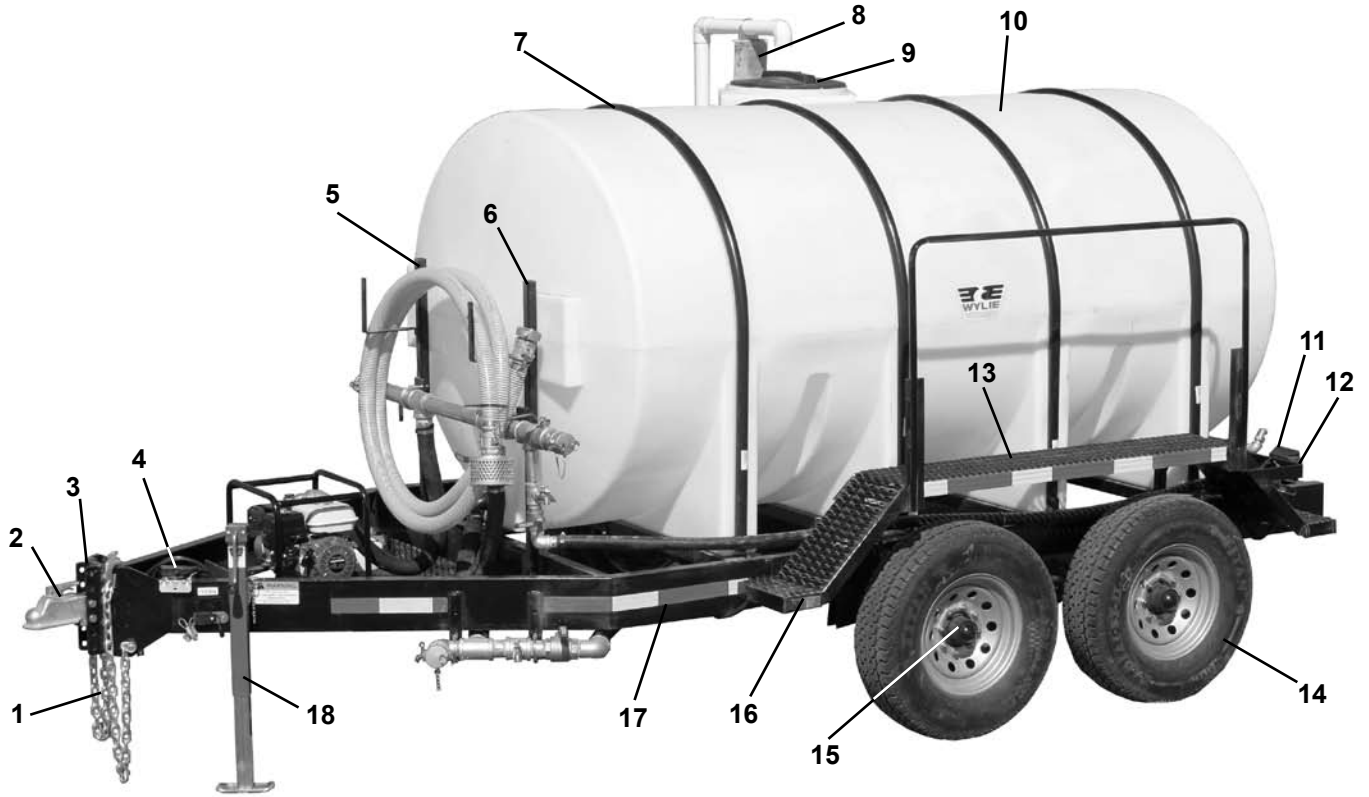
**800 Gallon w/surge brakes**



No.	Part No.	Description	No.	Part No.	Description
1	SC43-39-800S	Safety Chain Kit	9	203220	2" Amber Side Marker
2	05557-95	2 5/16" Ball Hitch		223088	2" Round Grommet
3	8101031	10K Surge Actuator	10	W127601	Frame
4	352060	18" Tank Lid	11	HD500-SWL-TMR-PZ-M	Side Wind Jack
5	T800LDNK	800 Gal. Leg Tank w/lid & sump	12	04-21R1	Plumbing Guide
6	W127605	Tank Hoop	13	200-A-PP	2" Female Quick Couple
7	W127603	LH Fender	14	200-F-PP	2" Male Quick Couple
	W127604	RH Fender	15	W127606	Support Bracket
8	660865831314114	Wheel & Tire Ass'y. 16x6.8		4781	Hydraulic Line Kit (not shown)

**W1243WT-E**

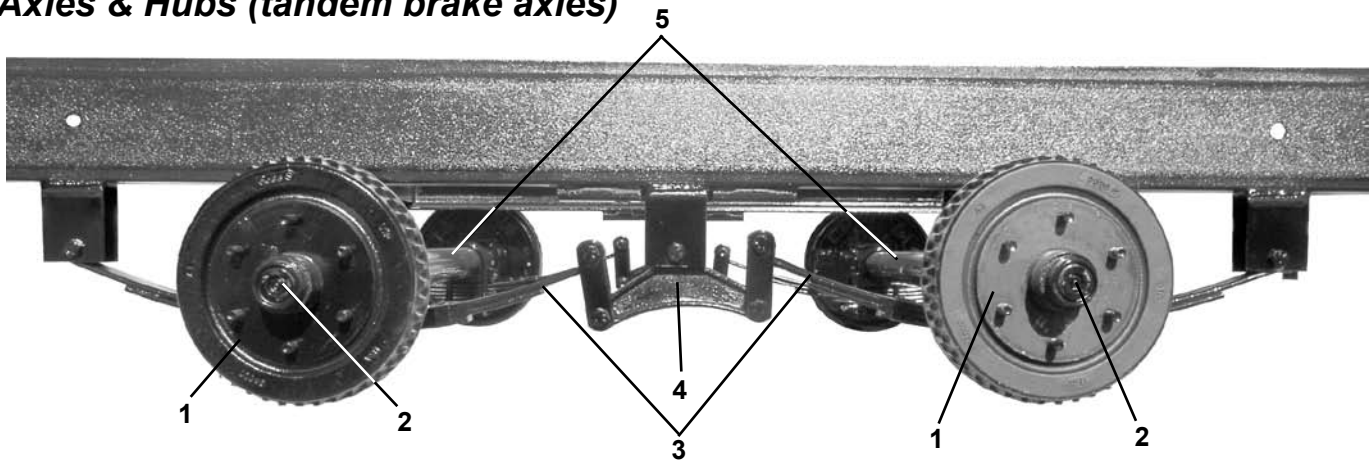
**1,600 Gallon w/electric brakes**



No.	Part No.	Description	No.	Part No.	Description
1	SC70-39	Safety Chain Kit	11	423062	RH Tail Light
2	07678-95	2 5/16" Ball Hitch	12	W930125	LH Tail Light Bracket
3	W124523	Hitch Plate		W930124	RH Tail Light Bracket
4	2028	Breakaway Brake Kit, 12V	13	W120325	LH Fender
5	W124104	RH Upper Manifold Mount		W120326	RH Fender
6	W124105	LH Upper Manifold Mount		W120338	Splash Guard (not shown)
7	W124404	Tank Hoop	14	660865831314115	Wheel & Tire Ass'y. 235/80R16E, 16x6.8
8	W124509	Stabilizer Bracket	15	TS70895730865EAC	7,000# Electric Brake Axle
9	352060	18" Tank Lid	16	223117	2" Amber Side Marker
10	T1600LDNK	1,600 Gal. Leg Tank w/lid & sump	17	W124306	Frame
11	423012	LH Tail Light	18	35SQ15F-00	Side Wind Jack



**Axles & Hubs (tandem brake axles)**



**Axle & Hub Parts for 500 Gallon Trailer**

No.	Part No.	Description	No.	Part No.	Description
1	4701-L	Electric Brake, 10"-2¼" LH	2F	L-44610	Outer Race, 1.98" OD
	4701-R	Electric Brake, 10"-2¼" RH	2G	L-44649	Outer Bearing, 1.0625" ID
	40716	Surge Brake, 10"-2¼" LH	2H	4753	Spindle Washer, 1"
	40715	Surge Brake, 10"-2¼" RH	2J	4754-Q	Spindle Nut, 1"-14
2	94655	Complete Brake Hub Ass'y.	2K	4755	Cotter Pin, 1/8"x2"
	94655-1	Brake hub w/ cups & studs	2L	RP-100	Rubber Plug, Accu-Lube Grease Cap
2B	4-12	Brake Flange	3	4342-17	Spring, Double Eye, 1700#
2C	171255TB	Grease Seal, single lip, 1.709"	4	4102-A	Tandem Hanger Kit
2D	L-68149	Inner Bearing, 1.375" ID	5	TS35705525655EBX	3,500# Elect. Brake Axle w/AccuLube hubs
2E	L-68111	Inner Race, 2.362" OD		TS35705525655FBX	3,500# Surge Brake Axle w/AccuLube hubs

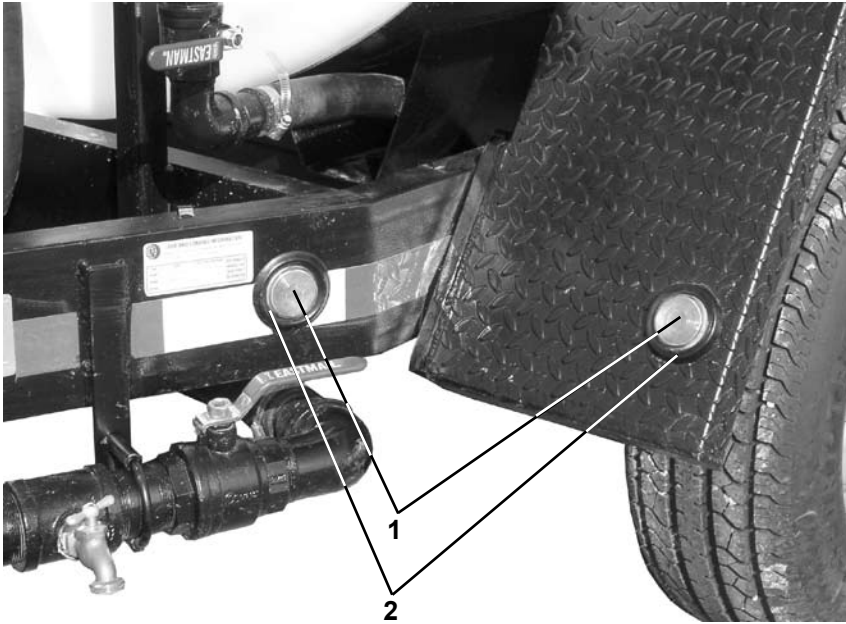
**Axle & Hub Parts for 800 Gallon Trailer**

No.	Part No.	Description	No.	Part No.	Description
1	42029	Surge Brake, LH	2E	14276	Outer Race, 2.171" OD
	42028	Surge Brake, RH	2F	14125A	Outer Bearing, 1.25" ID
2	92865A-ALM	Brake Hub Ass'y. w/drum	2G	4756	Spindle Nut, .5"-20
	92865A-1	Hub Ass'y. w/cups	2H	1605-AL-100	Cap Assembly, 2.717"
2A	4-6T	Brake Flange	2J	RP-100	Rubber Plug, Accu-Lube Grease Cap
2B	22333TBN	Grease Seal, 2.25"X3.376" OD	3	803T3	Spring, Slipper, 2.0", 2K, 4 Leaf
2C	25580	Inner Bearing, 1.75" ID	4	4114-H	Tandem Hanger Kit
2D	25520	Inner Race, 2.875" OD	5	TD60760585865FBC	6,000# Surge Brake Axle w/Accu-Lube hubs

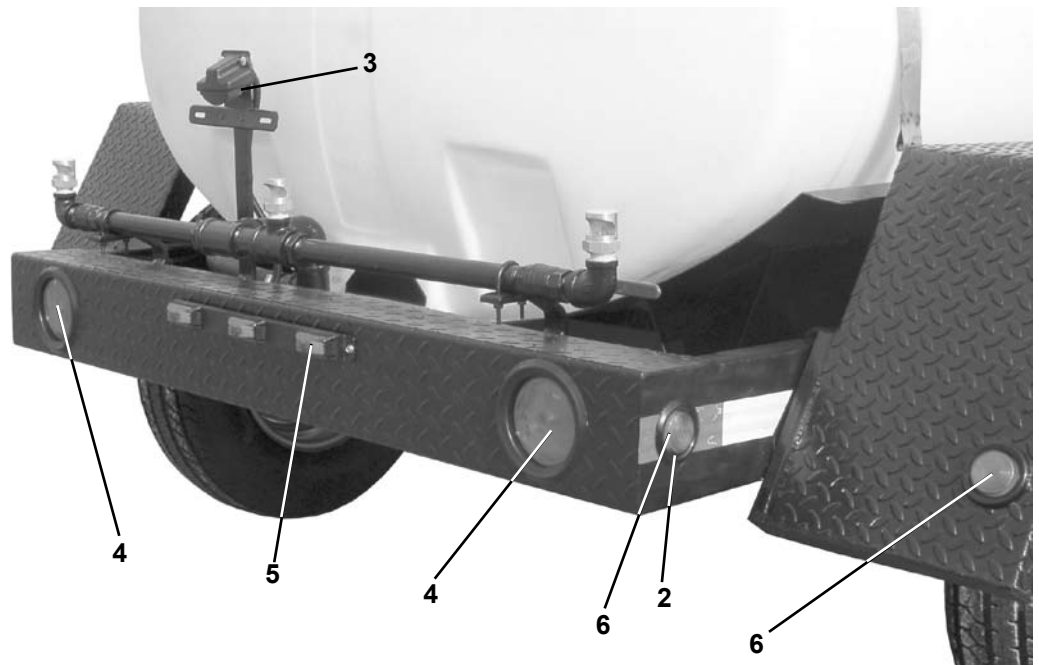
**Axle & Hub Parts for 1,025, 1,600 Gallon Trailer**

No.	Part No.	Description	No.	Part No.	Description
1	4704-L	Electric Brake, 12"-2¼" LH	2F	14276	Outer Race, 2.717" OD
	4704-R	Electric Brake, 12"-2¼" RH	2G	14125A	Outer Bearing, 1.25" ID
	42029	Surge Brake, 12"-2¼" LH	2H	4753	Spindle Washer, 1"
	42028	Surge Brake, 12"-2¼" RH	2J	4754	Spindle Nut, 1"-14
2	92865A	Complete Brake Hub Ass'y.	2K	4755	Cotter Pin, 1/8"x2"
	92865A-1	Brake hub w/ cups & studs	2L	1605	Grease Cap
2B	4-6T	Brake Flange	3	4351-30	Slipper Spring 5 Leaf, 27"x2"
2C	22333VB	Grease Seal, single lip, 2.25"	4	4114-H	Tandem Hanger Kit
2D	25580	Inner Bearing, 1.75" ID	5	TS70705525865EBC	7,000# Elec. Brake Axle w/AccuLube hubs (1,025)
2E	25520	Inner Race, 3.625" OD		TS70705525865FBC	7,000# Surge Brake Axle w/AccuLube hubs (1,025)
				TX70895730865EAC	7,000# Elec. Brake Axle, (1,600)

**Front**



**Rear**



No.	Part No.	Description	No.	Part No.	Description
1	203220	2" Amber Clearance/Side	4	427KR	Round Tail Light w/ grommet
2	223088	2" Round Grommet	5	003310	ID Bar, Red Lights
3	223210	License Plate Light Assy.	6	203221	2" Red Clearance/Side



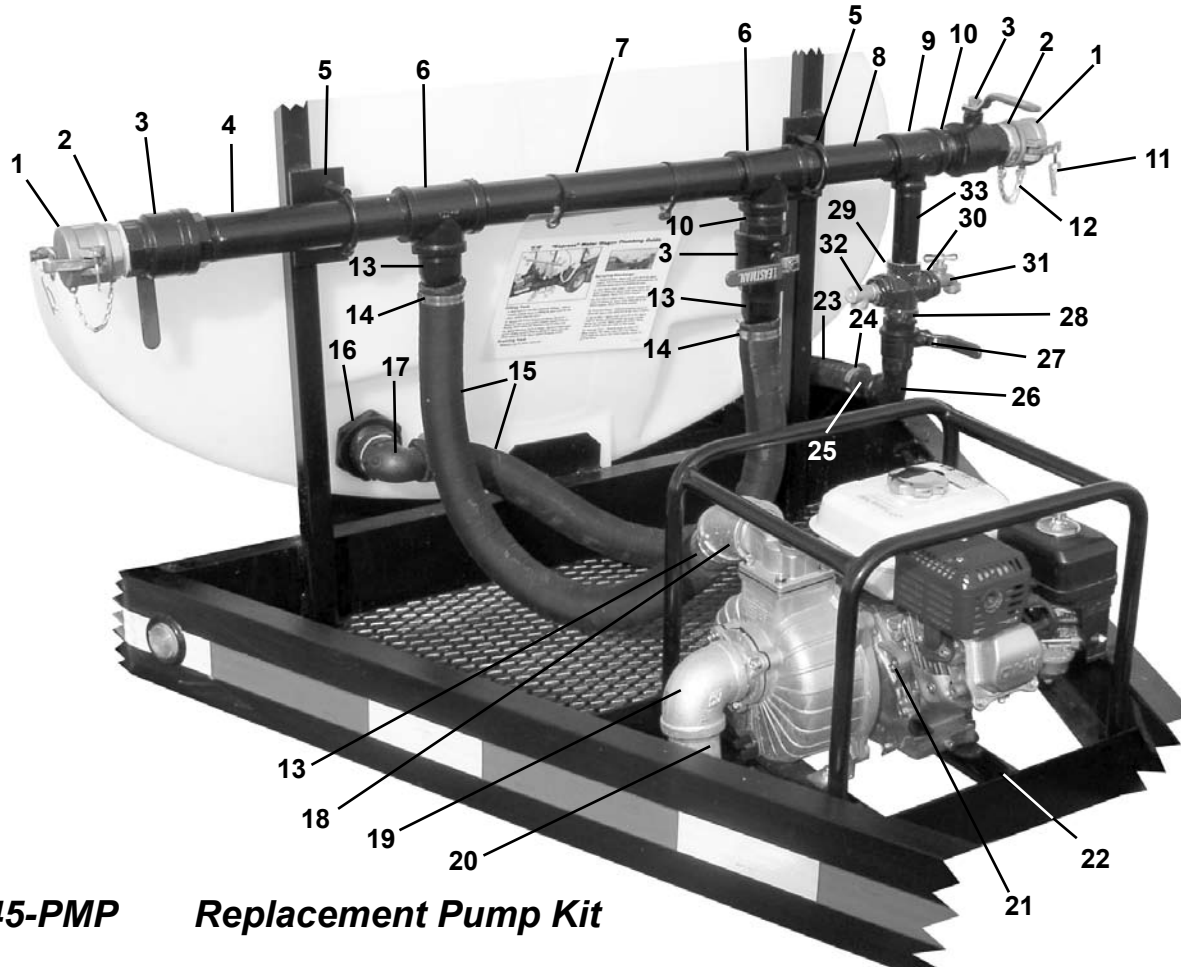
## Trailer Pump & Plumbing

**500 Gal. Trailers**  
**81570EP2**

**800 Gal. Trailers**  
**81570EP-800**

**1,025, 1,600 Gal. Trailers**  
**81570LT**

### Tsurumi Pump w/ Honda Engine & Plumbing



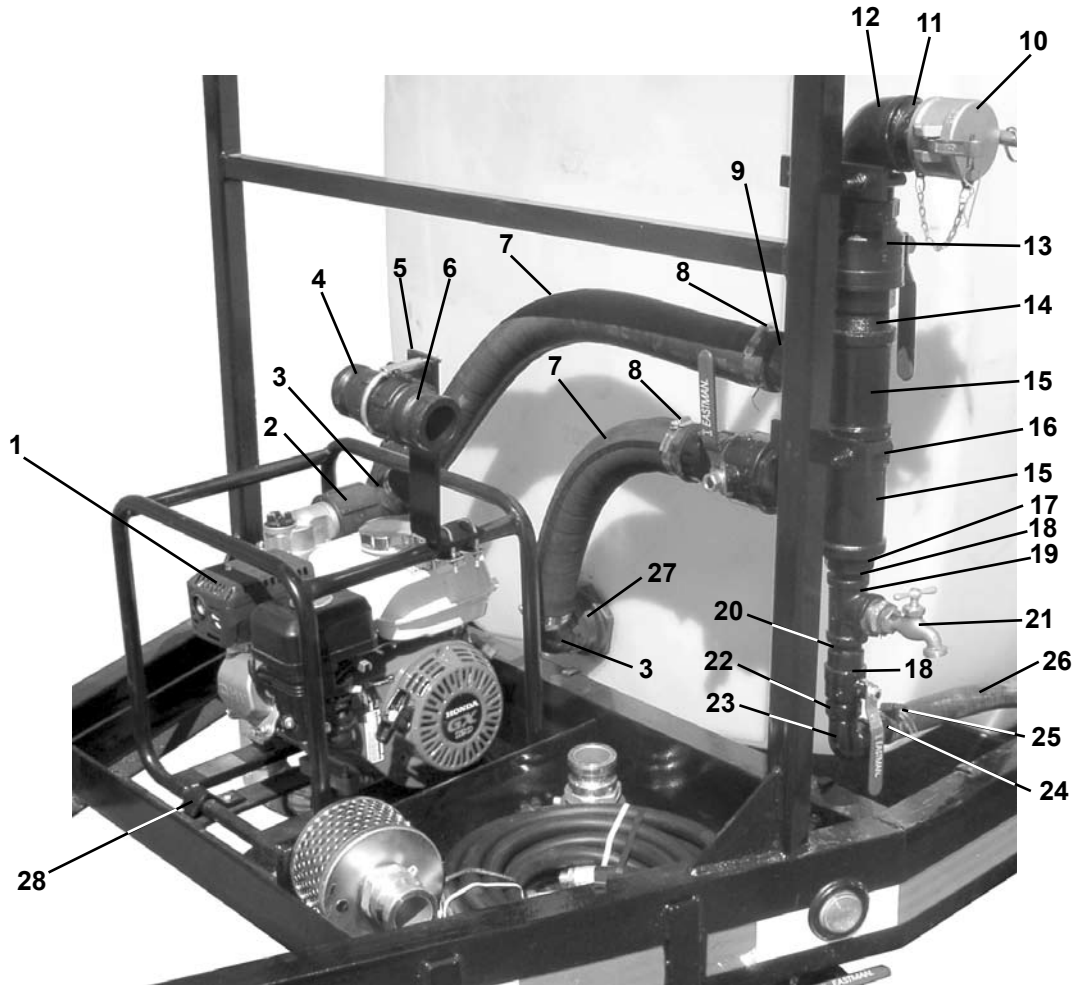
### W1245-PMP Replacement Pump Kit

No.	Part No.	Description	No.	Part No.	Description
1	AL-DC200	2" Al. QC Cap	17	HB200-90	2" Male Thread x 2" HB 90
2	AL-F200	2" Al. QC Male Adapter	18	45L-200G	2" Elbow 45°, Galv.
3	901EBV-200	2" Brass Ball Valve, FP	19	90L-200G	2" Elbow 90°, Galv.
4	NP200-12G	2" x 12" Galv. Nipple	20	NP200-7G	2" x 7" Galv. Nipple
5	3042T33	Clamp, 2½"	21	TE2-50HA	Pump & Honda Engine
6	TEE-200G	2" Tee Galv.	22	W124520	Pump Bracket
7	NP200-18G	2" x 18" Galv. Nipple	23	NP114-6G	1¼" x 6" Galv. Nipple
8	NP200-7G	2" x 7" Galv. Nipple	24	1028	1½" Hose Clamp
9	RT-200114G	2" x 1¼" Reducing Tee	25	SPN125	1¼"MPT x 1¼" HB
10	NP200-CLOSEG	2" Close Galv. Nipple	26	90STL-114G	1¼" Street El, Galv.
11	95390A422	¼" x 5/16" Cotter Ring Pin	27	901EBV-114	1¼" Brass Ball Valve
12	3607T24	Sash Chain	28	NP114-CLOSEG	1¼" x Close Galv. Nipple
13	SPN200	2"MPT x 2" HB	29	CR-114G	1¼" Galv. Cross
14	1036	2" Hose Clamp	30	RT-11434G	1¼" x ¾" Reducing Tee
15	12004001	2" EPDM Suction Hose	31	VLV3/4HBIB	¾" Male Hose Bibb, Brass
16	TF200VOR	2" Bulkhead Fitting	32	0185643	¾" Pressure Relief Valve
			33	NP114-6G	1¼" x 6" Galv. Nipple



**500 Gal. Rectangular Tank Trailers  
81570RP**

**Tsurumi Pump w/ Honda Engine & Plumbing**

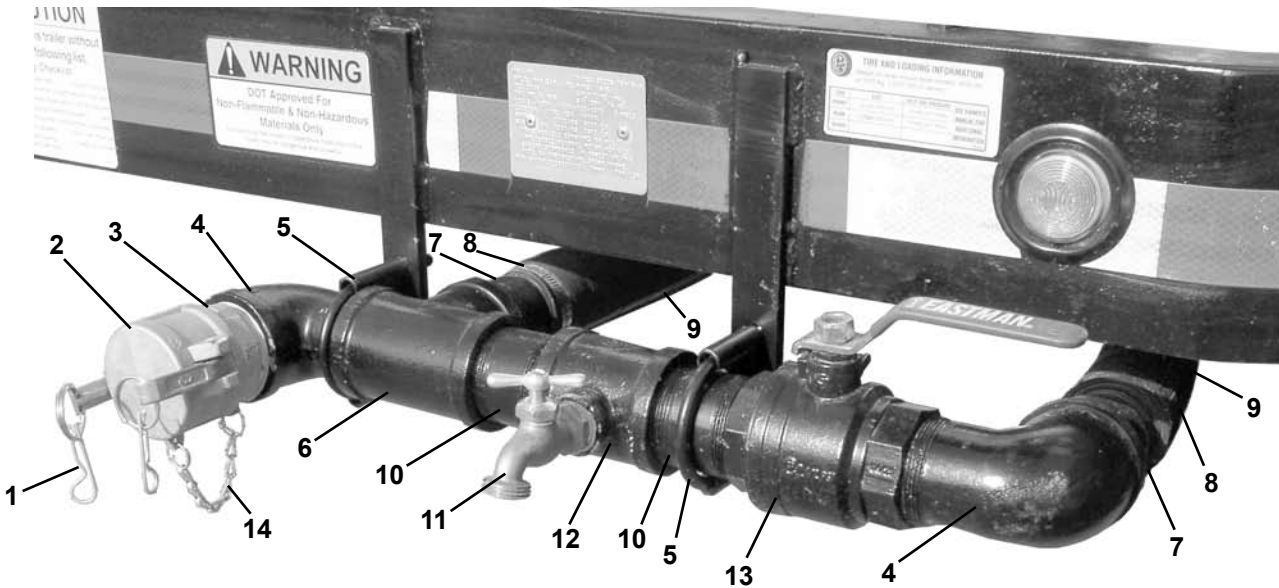


No.	Part No.	Description	No.	Part No.	Description
1	TE2-50HA	Pump & Honda Engine	15	TEE-200G	2" Tee Galv.
2	CPLG200	2" Poly Coupling	16	NP200-3G	2" x 3" Galv. Nipple
3	HB200-90	2" Male Thread x 2" HB 90	17	RB-200100G	2" x 1" Reducer Bushing
4	200-F-PP	Male Adapter 2" FPT	18	NP100-CLOSEG	1" x Close Galv. Nipple
5	W127606	Support Bracket	19	TEE-100G	1" Tee Galv.
6	200-A-PP	Male Adapter 2" MPT	20	RB-10034G	1" x 3/4" Reducer Bushing
7	12004001	2" EPDM Suction Hose	21	VLV3/4HBIB	3/4" Male Hose Bibb, Brass
8	1036	2" Hose Clamp	22	901EBV-100	1" Brass Ball Valve
9	SPN200	2" MPT x 2" HB	23	90STL-100G	1" Street El, Galv.
10	AL-DC200	2" Al. QC Cap	24	SPN100	1" MPT x 1" HB
11	AL-F200	2" Al. QC Male Adapter	25	1028	1 1/2" Hose Clamp
12	90STL-200G	2" Street El, Galv.	26	2-150-100	1" Rubber Hose
13	901EBV-200	2" Brass Ball Valve, FP	27	60405	2" Bulkhead Fitting
14	NP200-CLOSEG	2" Close Galv. Nipple	28	W124520	Hold Down Strap



**81570-INLET**

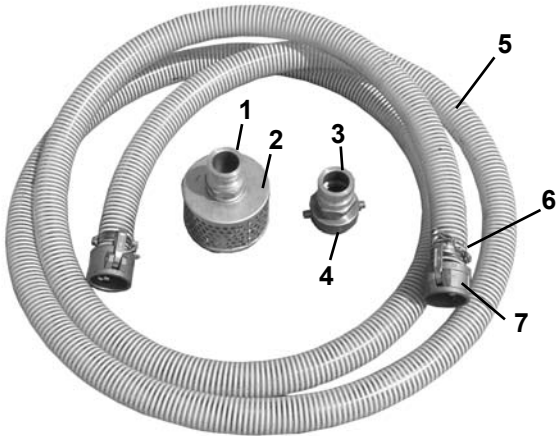
**Trailer Inlet Manifold Kit**



No.	Part No.	Description	No.	Part No.	Description
1	95390A422	1/4" - 5/16" Cotter Ring Pin	8	1036	2" Hose Clamp
2	AL-DC200	2" AL QC Dust Cap	9	12004001	2" EPDM Suction Hose
3	AL-F200	2" AL QC Male Adapter	10	NP200-3G	2" x 3" Galv. Nipple
4	90STL-200G	2" St. Elbow 90°, Galv.	11	VLV3/4HBIB	3/4" Male Hose Bibb, Brass
5	3042T33	Clamp, 2 1/2"	12	RT-20034G	2" x 3/4" Galv.Reducing Tee
6	TEE-200G	2" Tee Galv.	13	901EBV-200	2" Brass Ball Valve
7	SPN200	2" MPT x 2" HB Galv.	14	3607T24	Sash Chain

**81570-FILL**

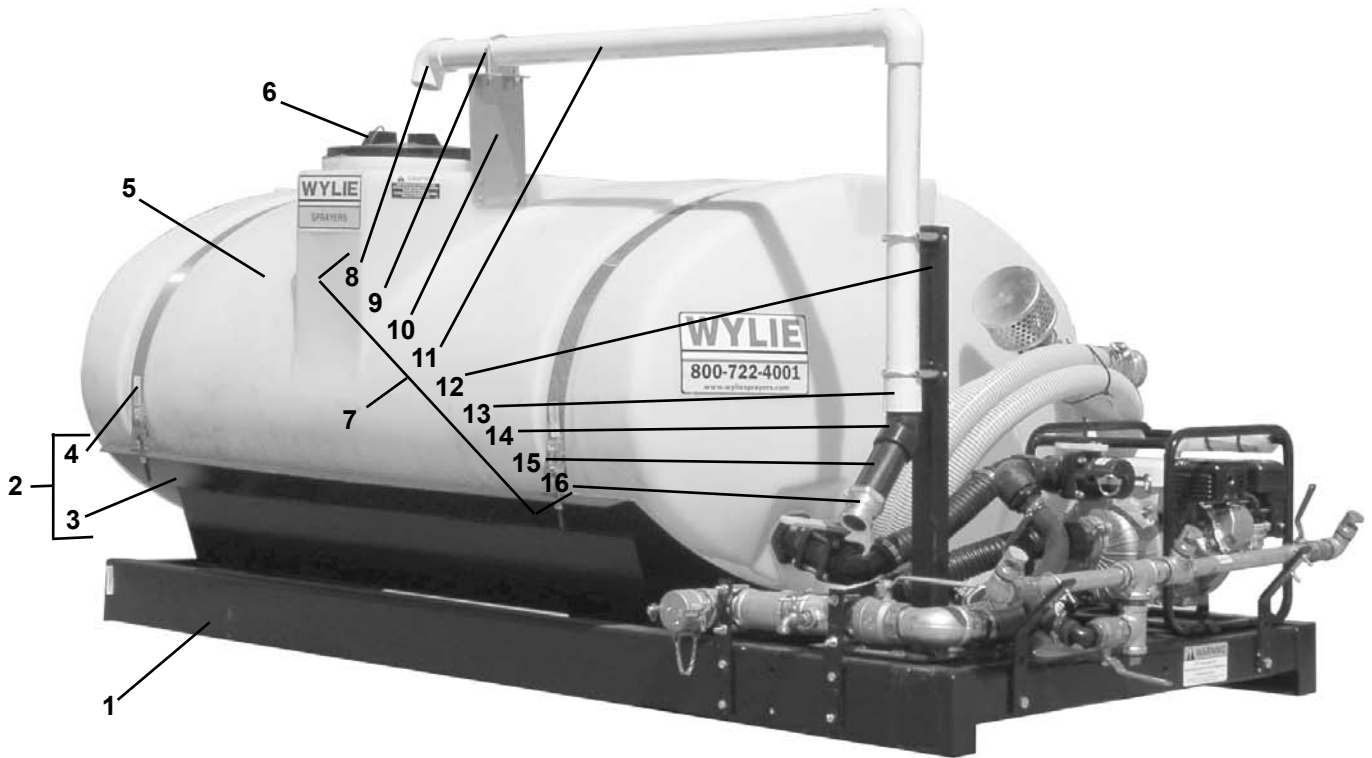
**Suction Kit**



No.	Part No.	Description
1	AL-F200	2" AL Quick Coupler x 2" MPT
2	RHS200	2" Round Hole Strainer
3	AL-A200	2" AL Quick Coupler Adapter
4	09-130-9	Fire Hydrant Adapter
5	7-070-200	2" PVC Suction Hose
6	1036	2" Standard Hose Clamp
7	AL-C200	2" AL Quick Coupler x 2" HB

**EXP-500-SKID**

**500 Gallon Skid**

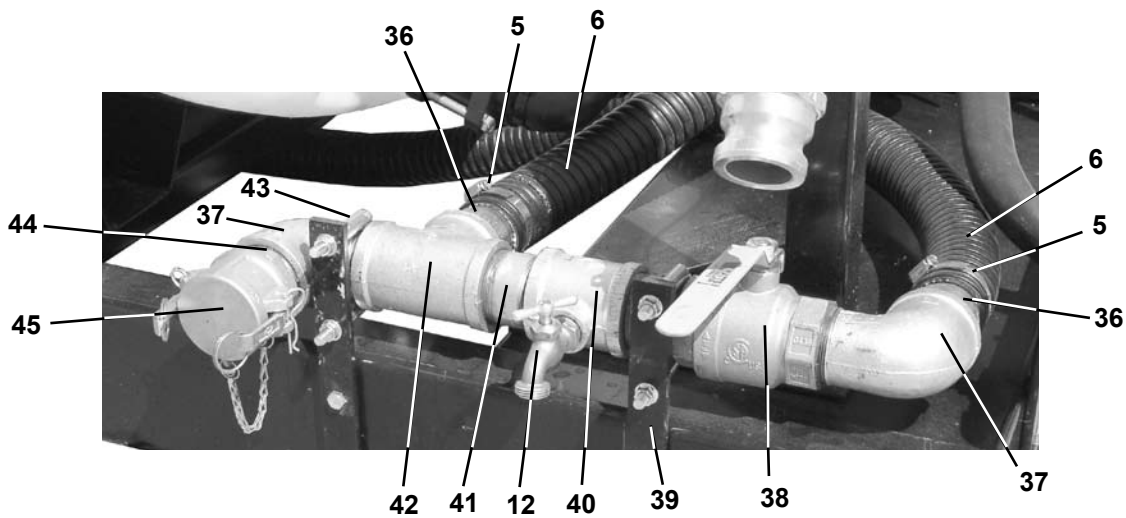
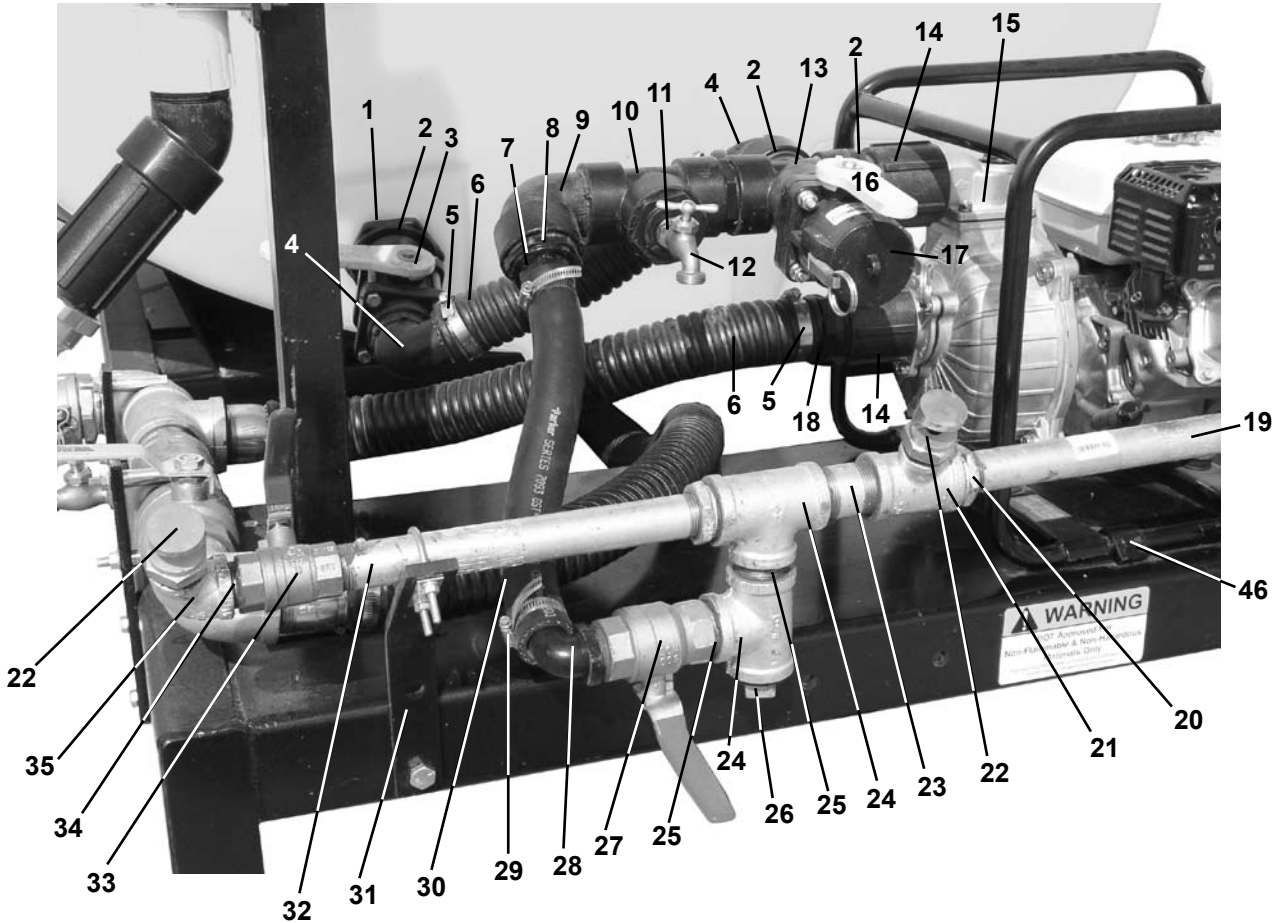


No.	Part No.	Description	No.	Part No.	Description
1	W514401	Skid Frame	9	3042T33	Muffler Clamp, 2½"
2	W7133	500 Gal. Saddle Assembly	10	W124509	Stabilizer Bracket
3	W713301	EP500 Saddle	11	2" PVC PIPE	2" PVC Sch. 40 Pipe
4	W720109	#12-T-2"x92" (88") Band	12	V124507	Pipe Mount Bracket
5	T500HENK	500 Gal. Elliptical Tank w/lid	13	435-020	2" FPT x 2" Slip Adapter
6	TL102	10" Lid	14	SL200-45	2" PP Street Elbow, 45°
7	W1245SKIDFILL	Anti-Siphon Fill Kit	15	NIP200-6	2" x 6" Poly Pipe Nipple
8	406-020	2" PVC Elbow, 90°	16	AL-A200	2" AL QC Adapter



EXP-500-Skid

500 Gal. Skid Plumbing





**EXP-500-Skid**

**500 Gal. Skid Plumbing, cont'd.**

No.	Part No.	Description	No.	Part No.	Description
1	TF20VOR	2" Tank Fitting	24	TEE-114G	1¼" Tee Galv.
2	NIP200-SH	2" Short Nipple Poly	25	N114-CLOSEG	1¼" Galv. Close Nipple
3	V-200	2" FPT Ball Valve	26	PLG11/4G	1¼" Galv. Plug
4	HB200-90	2" Poly Hose Barb, 90°	27	901EBV-114	1¼" Brass Ball Valve
5	1036	2" Hose Clamp	28	HB125-90	1¼" Poly Hose Barb, 90°
6	HS6054	2" Kannaflex Hose	29	1020	1" Hose Clamp
7	HB-125	1¼" Hose Barb	30	2-150-114	1¼" Rubber Hose
8	RB200-125	2" x 1¼" Reducer Bushing	31	V124516	Short Bent Bracket
9	SL200-90	2" Poly Street "L"	32	NP100-12G	1" x 12" Galv. Nipple
10	TEE200	2" Poly Tee	33	901EBV-100	1" Brass Ball Valve
11	RB200-075	2" x ¾" Reducer Bushing	34	N100-CLOSEG	1" Galv. Close Nipple
12	VLV3/4HBIB	¾" MPT x ¾" MGHT Brass	35	90L-10034G	1" x ¾" Galv. Reducer 90°
13	CR200	2" Poly Cross	36	SPN200	2" MPT x 2" HB Galv.
14	CPLG200	2" Poly Coupling	37	90STL-200G	2" St. Elbow 90°, Galv.
15	TE2-50HA	2" Pump w/4 HP Honda Engine	38	901EBV-200	2" Brass Ball Valve
16	VSFMT-200	2" Stubby Valve	39	V124519	Lower Manifold Mount
17	200-CAP-PP	2" Poly QC Cap	40	RT-20034G	2" x ¾" Galv.Reducing Tee
18	HB-200	2" Poly Hose Barb	41	NP200-3G	2" x 3" Galv. Nipple
19	NP100-18G	1" x 18" Galv. Nipple	42	TEE-200G	2" Tee Galv.
20	RB-114100G	1¼" x 1" Galv. Reducer Bushing	43	3042T33	Clamp, 2½"
21	RT-11434G	1¼" x ¾" Galv. Reducer Tee	44	AL-F200	2" AL Male Quick Coupler
22	3/4K-210	FloodJet Nozzle	45	AL-DC200	2" AL QC Dust Cap
23	NP114-3G	1¼" x 3" Galv. Nipple	46	V124520	Pump Bracket

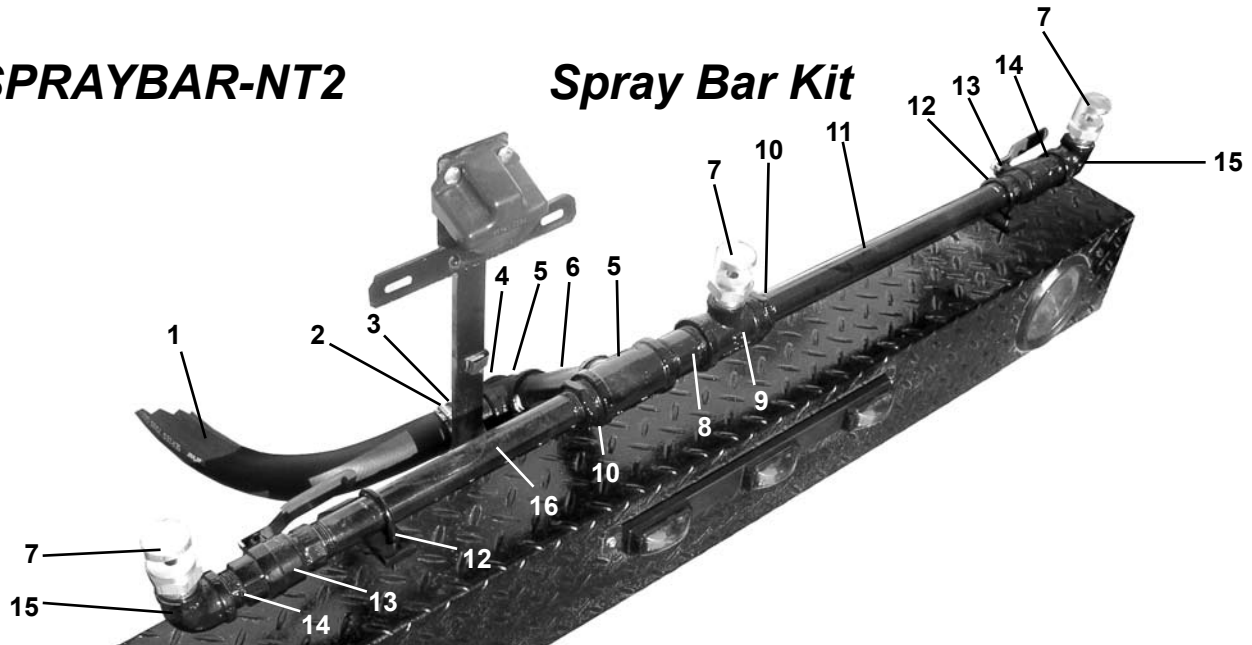
**W1245-PMP**

**Replacement Pump Kit**

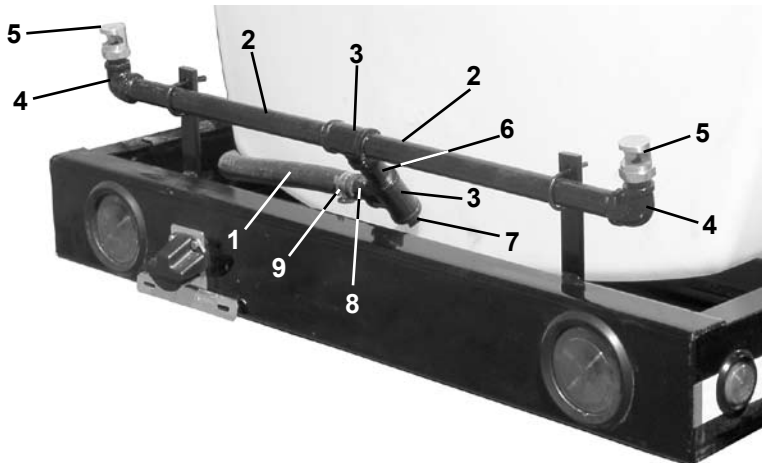


**SPRAYBAR-NT2**

**Spray Bar Kit**



No.	Part No.	Description	No.	Part No.	Description
1	2-150-114	1¼" Rubber Hose	9	RT-11434G	1¼" x ¾" Reducing Tee
2	1028	1½" Hose Clamp	10	RB114100G	1¼" x 1" Reducer Bushing
3	SPN125	1¼" MPT x 1¼" HB	11	NP100-12G	1" x 12" Galv. Nipple
4	PLG11/4G	1¼" Galv. Plug	12	U1/4X11/2X23/4	U-Clamp 1½"
5	TEE-114G	1¼" Tee Galv.	13	901EBV-100	1" Brass Ball Valve
6	NP100-6G	1" x 6" Galv. Nipple	14	NP114-CLOSEG	1¼" Close Galv. Nipple
7	3/4K-210	Floodjet Nozzle	15	90L-10034G	1" x ¾" Elbow 90°, Galv.
8	NP114-3G	1¼" x 3" Galv. Nipple	16	NP100-18G	1" x 18" Galv. Nipple



**SPRAYBAR-EXP-500R2**

**Spray Bar Kit**

500 Gal. Rec. Tank Trailers

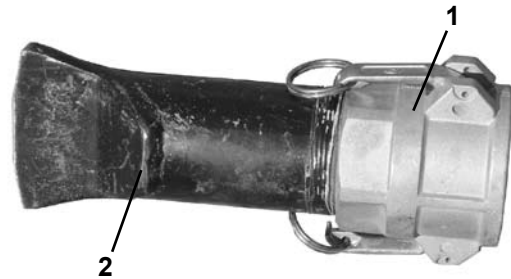
No.	Part No.	Description	No.	Part No.	Description
1	2-150-100	1" Rubber Hose	6	NP100-CLOSEG	1" Close Galv. Nipple
2	NP100-18G	1" x 18" Galv. Nipple	7	PLG1G	1" Galv. Plug
3	TEE-100G	1" Tee Galv.	8	SPN100	1" MPT x 1" HB
4	90L-10034G	1" x ¾" Elbow 90°, Galv.	9	1028	1½" Hose Clamp
5	3/4FF484145	Brass Flood Nozzle			

### Fire Hose Assembly P/N: BMX25QC



No.	Part No.	Description
1	AL-D200	2" AL Quick Coupler
2	FN150	1½" Fire Nozzle
3	BMX25QC	1½" Flat Fire Hose Ass'y.

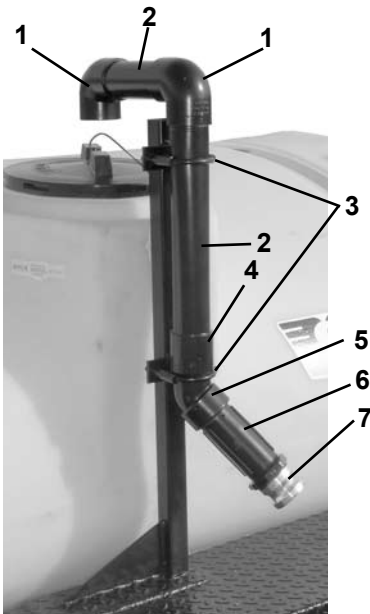
### Side Watering Kit W5307-FAN



No.	Part No.	Description
1	AL-D200	2" AL Quick Coupler
2	W530702	2" Fan Spray Nozzle

### W1245FILL W1276FILL W1241WT-FILL

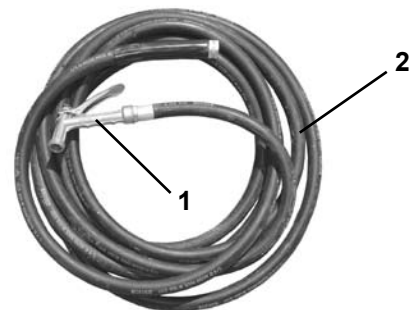
### Anti-Siphon Fill Kit (500 gal.) Anti-Siphon Fill Kit (800 gal.) Anti-Siphon Fill Kit (1,025, 1,600 gal.)



No.	Part No.	Description
1	406-020	2" 90° PVC Elbow
2	2"PVC PIPE	2" PVC Pipe, Sch 40
3	3042T33	2½" Muffler Clamp
4	435-020	2"FPTx2" Slip Adap. PVC
5	SL200-45	2" Street Elbow 45
6	NIP200-6	2" x 6" Poly Pipe Nipple
7	AL-A200	2" AL Male Coupler w/ 2" FPT
	W124509	Stabilizer Bracket, 1025, 1,600 (not shown)
	W124507	Mount Bracket, 1,025, 1,600 (not shown)

### 84503 Garden Hose Kit

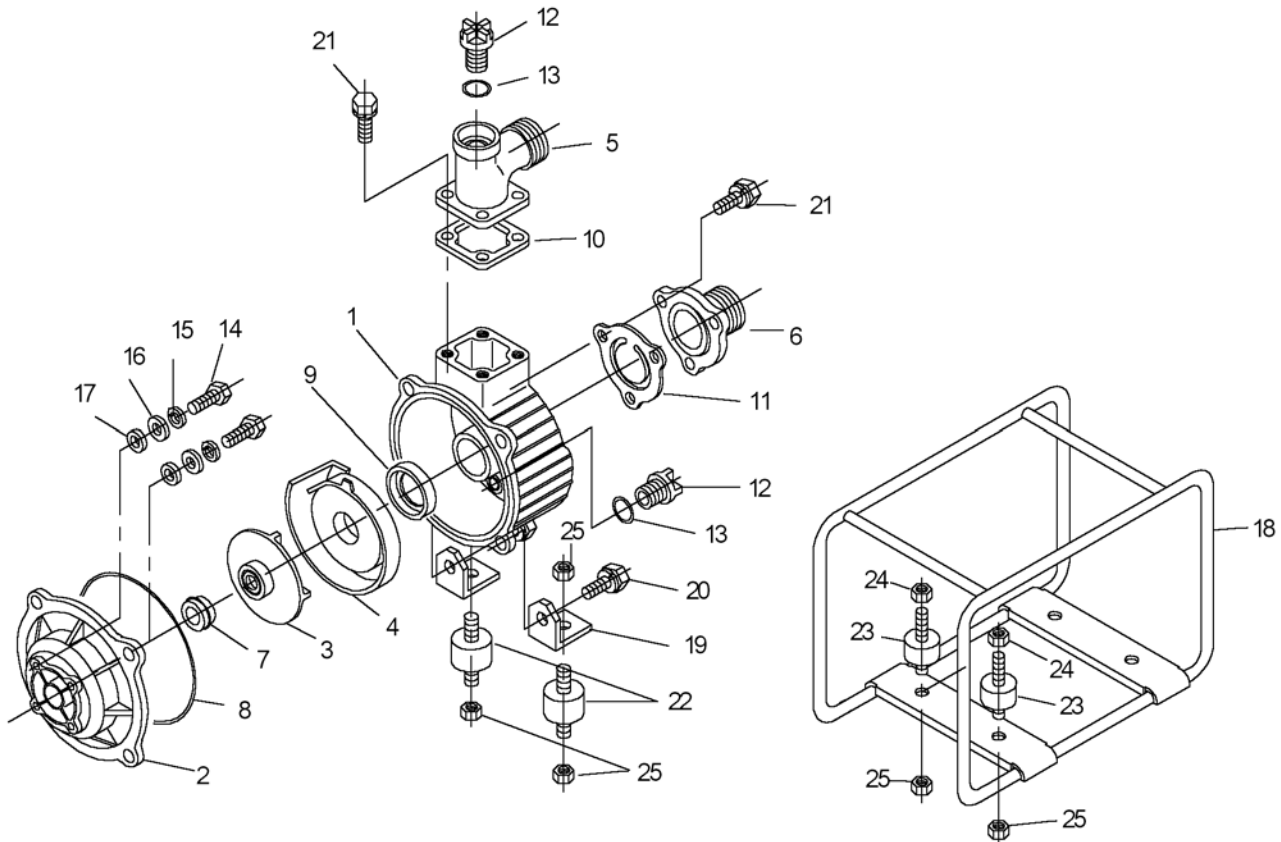
No.	Part No.	Description
1	573TF	Pistol Grip Hose Nozzle
2	98108797	5/8" x 25' Water Hose





**TE2-50HA**

**Tsurumi Pump (Honda GX-120 Engine)**



No.	Part No.	Description	No.	Part No.	Description
1	507-001	CASING	14	501-005	BOLT
2	501-004	CASING COVER	15	501-007	LOCK WASHER
3	501-009	IMPELLER	16	501-008	WASHER
4	501-011	VOLUTE CASING	17	501-006	SEAL PACKING
5	501-019A	DISCHARGE BEND	18	501-030HV	FRAME
6	501-013A	SUCTION FLANGE	19	501-038	SUPPORT BRACKET
7	521-008	MECHANICAL SEAL	20	501-003	BOLT
8	501-002	O-RING, CASING	21	501-014	BOLT
9	501-012	GASKET, VOLUTE CASING	22	1001-032	ANTI VIBRATION RUBBER (Pump)
10	501-020	GASKET, DISCHARGE BEND	23	501-037	ANTI VIBRATION RUBBER (Engine)
11	501-015	CHECK VALVE	24	501-024	FLANGE NUT
12	501-021	PLUG	25	1001-024	SPRING NUT
13	501-022	O-RING, PLUG		501-042	IMPELLER SHIM



**2009 – Wylie Manufacturing Company**  
**Specifications Subject To Change Without Notice**