



AL4000

Light Tower

LIGHT TOWER
AL4000



Light Tower AL4000

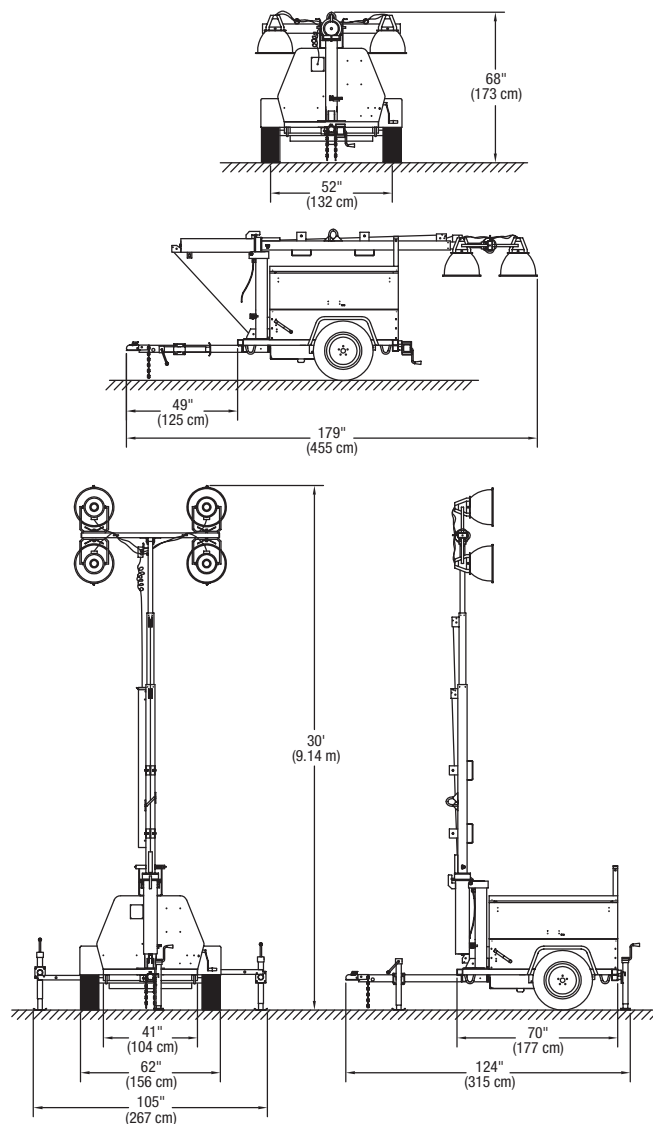
Features

- Full sized, 30 ft (9.1 m) extended height floodlight tower illuminates 7-1/2 acres.
- Galvanized tower is 360° rotatable for easy aiming from the ground.
- Winch handle ergonomically positioned for easy raising and lowering. Winch drum is inside cabinet. Electric winch available.
- Light fixtures mount securely on mast for travel or can be left on crossarm.
- Pallet pockets and lifting eye make unit easier to load and unload.
- Plug-in ballasts are installed in galvanized steel boxes.
- Light fixtures plug into weatherproof receptacle box with UL and CSA approved connectors.
- Retractable power cord automatically recoils into protective sleeve to prevent damage when raising, lowering and moving tower.
- Control panel located inside cabinet, protected from the elements.

Specifications

Lamps	Metal halide 4 x 1,000 W
Generator	Brushless 60 Hz, 6.0 kW
Engine	Kubota diesel 13.6 hp
Fuel capacity	30 gal (114 L)
Wheel size	15 in (38 cm)
Axle rating	3,500 lbs (1,588 kg)
Tongue weight travel position	100 lbs (45 kg)
Total weight no fuel	2,050 lbs (930 kg)

Dimensions



Genie Industries, Inc.

A Terex company

18340 NE 76th Street
PO Box 97030

Redmond, WA 98073-9730

TEL 425-881-1800

TOLL FREE 800-536-1800

PARTS & TECH SUPPORT 800-228-6444

FAX 425-883-8475

WEB terex.com

For more information, product demonstration, or details on purchase, lease and rental plans, please contact your local Genie Distributor.