

STOW PortoMix Concrete Mixer

Welcome to the future of portable concrete mixers.

The new STOW PortoMix combines a host of performance-enhancing features with ease of transportation to, from and around the job site. It can mix up to three cubic feet of material (1/2 bag), making the mixer the tool of choice for homeowners and small contractors.

With a stronger frame and polyethylene drum, the PortoMix is ideal for small footings and bases, binding block and concrete patching. Powered by an electric motor, it can also be used as a wheelbarrow to transport concrete, debris and other material around the job site.

When the job is complete, the compact PortoMix fits neatly into the trunk of a car.

- **New replaceable blades** bolted to the drum.
- **Electric motor** — 3/4 HP, 115 single-phase UL- and CSA-approved Baldor electric motor.
- **Job site convenience** — can use standard household power.
- **Optional mixer stand** allows 360° rotation.
- **New on/off switch protection** — water-resistant and dust proof.
- **Improved drum capacity** — a maximum 4.5 cubic feet.
- **Pneumatic wheels** — for greater mobility.



STOW

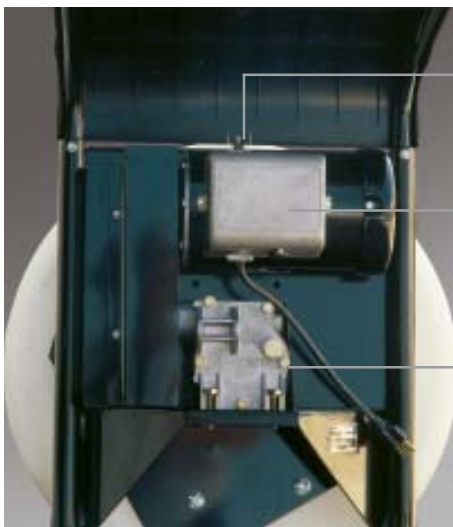
STOW PortoMix Concrete Mixer

Specifications

Model	Drum Construction	Max. Drum Capacity cu.ft. (m ³)	Max. Mixing Capacity	Engine	Height in. (mm)	Width in. (mm)	Length in. (mm)	Stand Weight lbs. (kg)	Dry Weight lbs. (kg)
SMC3PE	Polyethylene	4.5 (0.13)	½ bag (3.0 cu. ft.)	¾ HP, 115V, 1Ø Electric Motor	34 (863.6)	23 ⁵ / ₈ (584.2)	48½ (1219.2)	35 (15.9)	138 (62.6)



Optional mixer stand allows 360° rotation. (Specify part number DM1200)

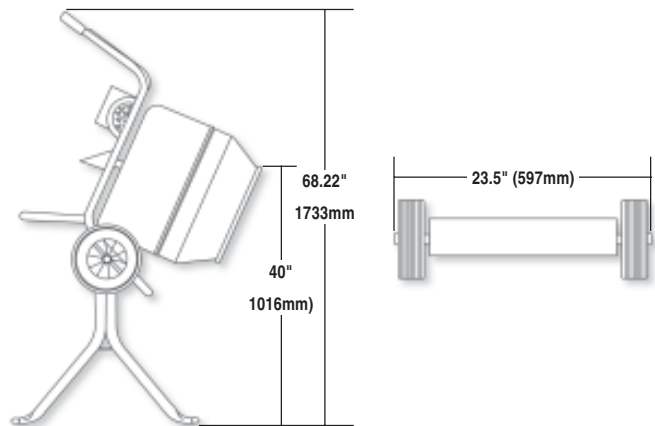
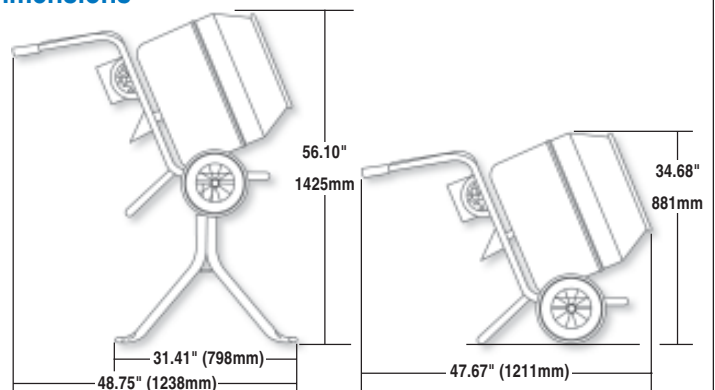


Water-resistant, dust-proof on/off switch

Strong ¾-HP brushless motor, UL and CSA approved

Improved gearbox for reduced friction operation

Dimensions



Your Stow dealer is:

STOW

A DIVISION OF MULTIQUIP INC.

Atlanta • Boise • Newark • Quebec, Canada
Manchester, UK • Rio de Janeiro, BR • Puebla, MX

STOW CONSTRUCTION EQUIPMENT

POST OFFICE BOX 6254
CARSON, CALIFORNIA 90749
310-661-4242 • 877-BUY-STOW
FAX: 310-604-9237
E-MAIL: stow@stowmfg.com
www.stowmfg.com

All specifications and features are subject to change without notice and will vary by model and engine.
STOWPORTMIX-866 (07-03)